



19-52ZX TimeCutter™ ZX Riding Mower

Model No. 74802 - 240000001 and up.

Parts Catalog

Ordering Replacement Parts

To order replacement parts, please supply the part number, the quantity, and the description of each part desired.

Understanding Reference Numbers

Each identified part in an illustration has a reference number. The reference number for a part also appears in the parts list, along with other information about the part.

This catalog uses two special reference number formats, one to indicate parts in a service assembly and another to indicate the quantity of a given part in an illustration.

Service Assembly Reference Numbers

Parts in service assemblies have reference numbers in the form a:b. The a represents the reference number of the entire service assembly and the b represents a sequential number unique to each part within the service assembly.

For example, a wheel assembly might be identified by reference number 6, the tire by 6:1, the valve by 6:2, and the wheel by 6:3. When you order the assembly identified by reference number 6, you receive all parts identified by reference numbers 6:1, 6:2, and 6:3. However, you may also order any part individually. Reference numbers of this type appear in illustrations and in part lists.

Reference Numbers Indicating Quantity

In an illustration, if a reference number indicates more than one part, the reference number has the form nX y. The n represents the quantity of the part, the X is the multiplication symbol, and the y represents the reference number.

For example, in an illustration, the reference number 2X 37 means that two of the parts identified by reference number 37 are indicated.

Contents

Description	Page	Description	Page
Front Frame Assembly	3	Valve and Camshaft Assembly Kawasaki FH580V-AS13	20
Height-of-Cut Handle and Plate Assembly	4	Lubrication Equipment Assembly Kawasaki FH580V-AS13	21
Main Frame Assembly	5	Cooling Equipment Assembly Kawasaki FH580V-AS13	22
Fuel Tank Assembly	6	Electric Equipment Assembly Kawasaki FH580V-AS13	23
Parking Brake Assembly	7	Control Equipment Assembly Kawasaki Model FH580V-AS13	24
Motion Control Assembly	8	Carburetor Assembly Kawasaki FH580V-AS13	25
Hydro and Belt Drive Assembly	9	Air Filter and Muffler Assembly Kawasaki FH580V-AS13	26
LH Hydro Transaxle Assembly No. 107-1709	10	Fuel Tank and Fuel Valve Assembly Kawasaki FH580V-AS13	27
RH Hydro Transaxle Assembly No. 107-1708	12	Starter Assembly Kawasaki FH580V-AS13	28
Engine and Clutch Assembly	14	Label Assembly Kawasaki Model No. FH580V-AS13	29
Electrical System Assembly	15		
52in Deck Assembly	16		
52in Deck Belt Drive and Lift System Assembly	17		
Cylinder and Crankcase Assembly Kawasaki FH580V-AS13	18		
Piston and Crankshaft Assembly Kawasaki FH580V-AS13	19		

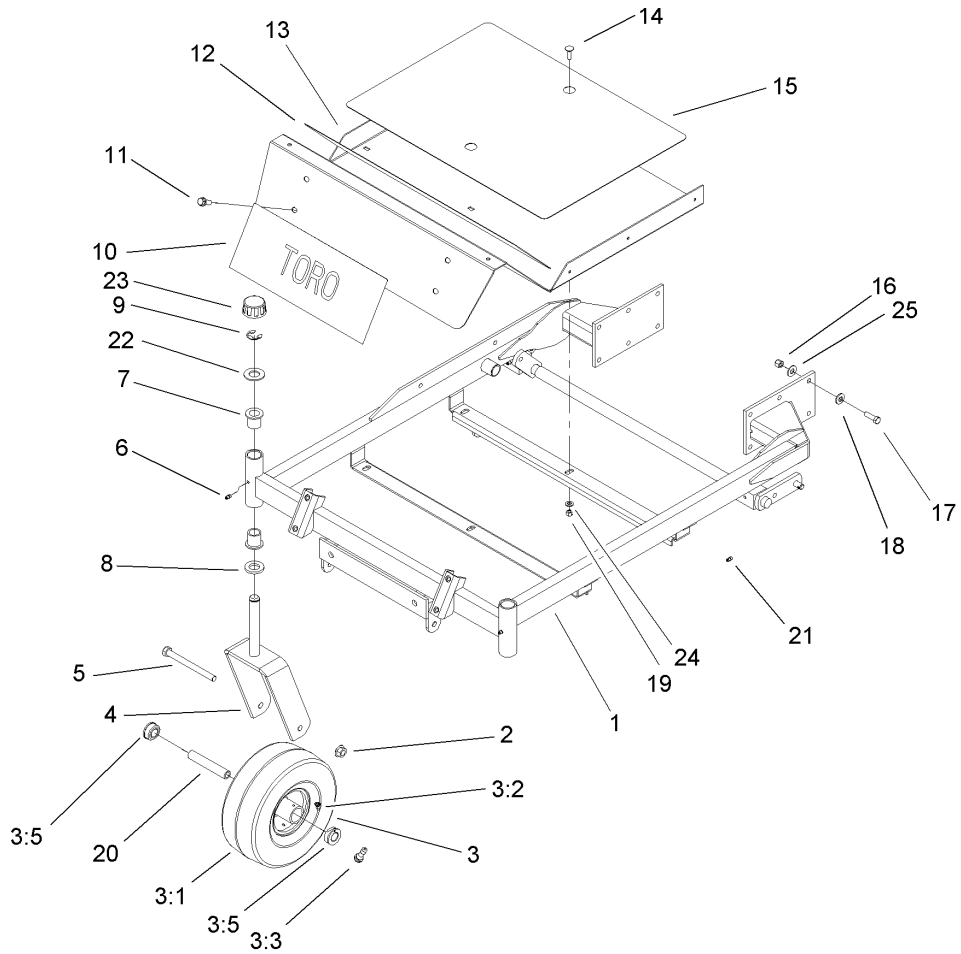
Part Description Abbreviations

Part descriptions in this catalog may include the following abbreviations.

AR. as required	HYD. hydraulic
ASM. assembly	LH. left hand
BBC. blade brake clutch	NI. nylon insert
CARR. carriage	NPTF. national pipe thread fine
DEG. degrees	PFH. phillips flat head
EXT. external	PPH. phillips pan head
FH. flat head	PPHTF. phillips pan head thread forming
GA. gauge	PRH. phillips round head
HD. heavy-duty	PTH. phillips truss head
HF. hex flange	PTO. power-take-off
HH. hex head	RH. right hand
HHF. hex head flange	ROPS. roll-over protection system
HHFTF. hex head flange thread forming	SFH. slotted fillister head
HJ. hex jam	SHH. slotted hex head
HLH. hex lag head	SHWH. slotted hex washer head
HOC. height-of-cut	SPH. slotted pan head
HSBH. hex socket button head	SQH. square head
HSFH. hex socket flat head	SRH. slotted round head
HSH. hex socket head	STD. standard
HWH. hex washer head	TAP. self tapping
HWHTF. hex washer head thread forming	TTH. torx truss head

Footnotes

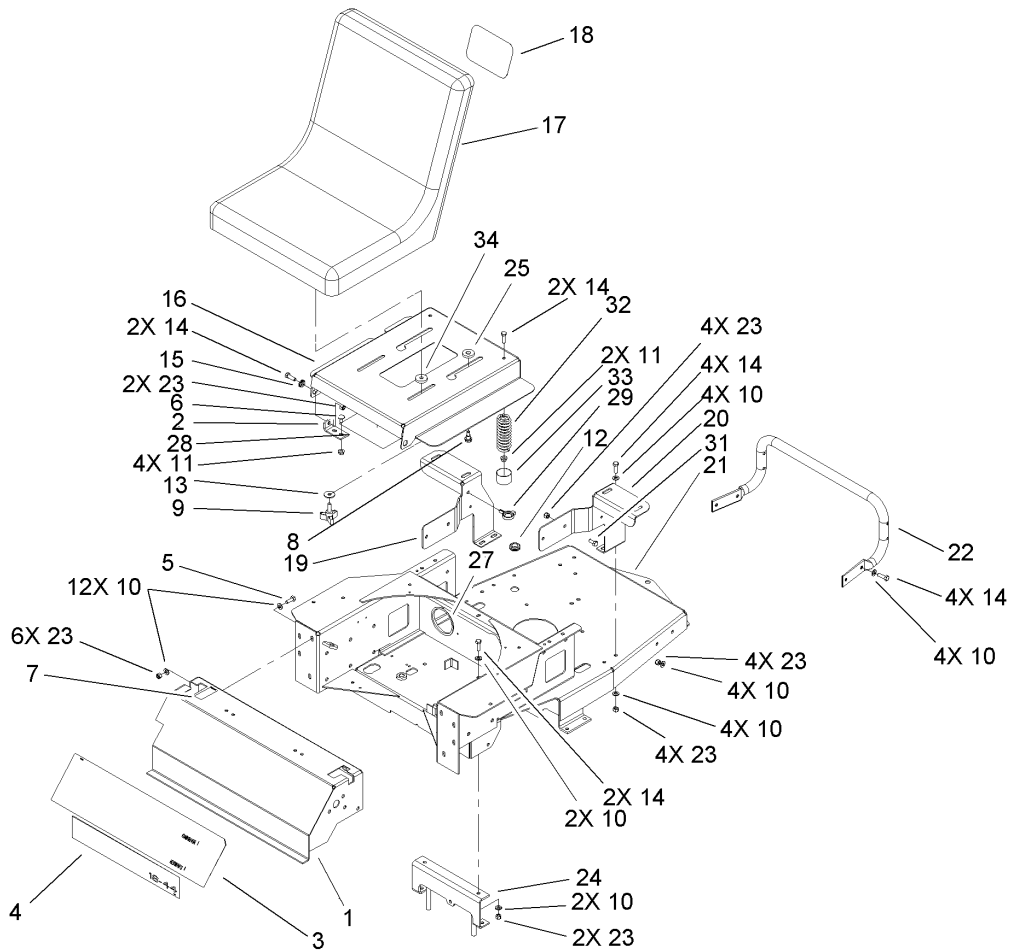
- ❶ Not illustrated
- ❷ Not serviced separately
- ❸ Obtain parts from your local Kawasaki dealer.



Front Frame Assembly

Ref	Part No.	Qty.	Description
1	100-7357-01	1	Carrier Frame ASM
2	32128-23	2	Nut-HF
3	105-3471	2	Front Wheel And Tire ASM
3:1	105-1943	1	Tire
3:2	302-11	1	Fitting-Lube, 45 DEG
3:3	232-27	1	Stem-Valve
3:5	114-1640	2	Bushing-Flange
①3:99	93-4244	1	Tube-Inner (W/Valve)
4	100-7363-01	2	Caster Fork ASM
5	325-22	2	Screw-HH
6	302-5	2	Fitting-Grease
7	1-303514	4	Bearing-Flanged
8	1-513338	2	Washer-Flat
9	32151-103	2	Ring-Snap
10	67-7320	1	Decal
11	66-9300	4	Screw-HF
12	104-3639	1	Pad-Skid, Anti
13	100-7386-03	1	Floorpan
14	3230-28	6	Screw-CARR
15	104-3640	1	Pad-Skid, Anti
16	3296-39	12	Nut-Lock, NI
17	323-7	12	Screw-HH
18	98-5975	12	Washer-Belleville
19	3296-29	6	Nut-Lock, NI

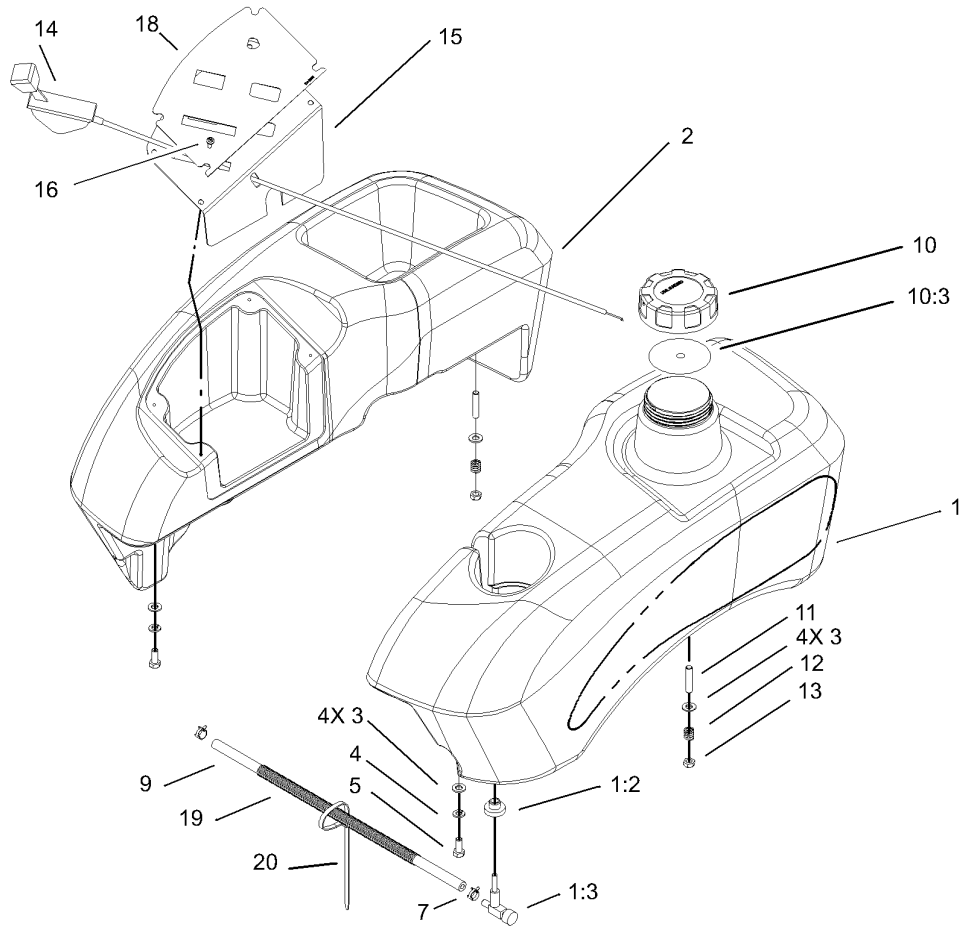
Ref	Part No.	Qty.	Description
20	104-3667	2	Spanner-Wheel
21	302-19	2	Fitting-Grease
22	104-8076	2	Washer
23	61-9780	2	Cap-Hub
24	3256-23	6	Washer-Flat
25	1-809107	12	Washer-Hardened



Main Frame Assembly

Ref	Part No.	Qty.	Description
1	104-8040-03	1	Console
2	104-8057-03	2	Bracket-Pivot
3	107-7399	1	Decal-Danger
4	107-2529	1	Decal - Timecutter, 19-52 Zx
5	322-4	6	Screw-HH
6	104-8049	4	Screw-CARR
7	1-633354	2	Decal-Control, Motion
8	92-6986	2	Bolt-Shoulder
9	106-2240	2	Knob
10	3256-23	32	Washer-Flat
11	32128-25	6	Nut-HF
12	237-124	1	Grommet
13	5-4460	2	Washer-Pivot
14	322-5	14	Screw-HH
15	105503	2	Bushing
16	104-8058-03	1	Pan-Seat
17	106-2221	1	Seat
18	93-7340	1	Decal
19	100-7376-01	1	Bracket-RH
20	100-7368-01	1	Bracket-LH
21	107-2549-01	1	Frame-Rear
22	100-7332-03	1	Rod-Support, Rear
23	3296-29	22	Nut-Lock, NI
24	105-6987-03	1	Bracket

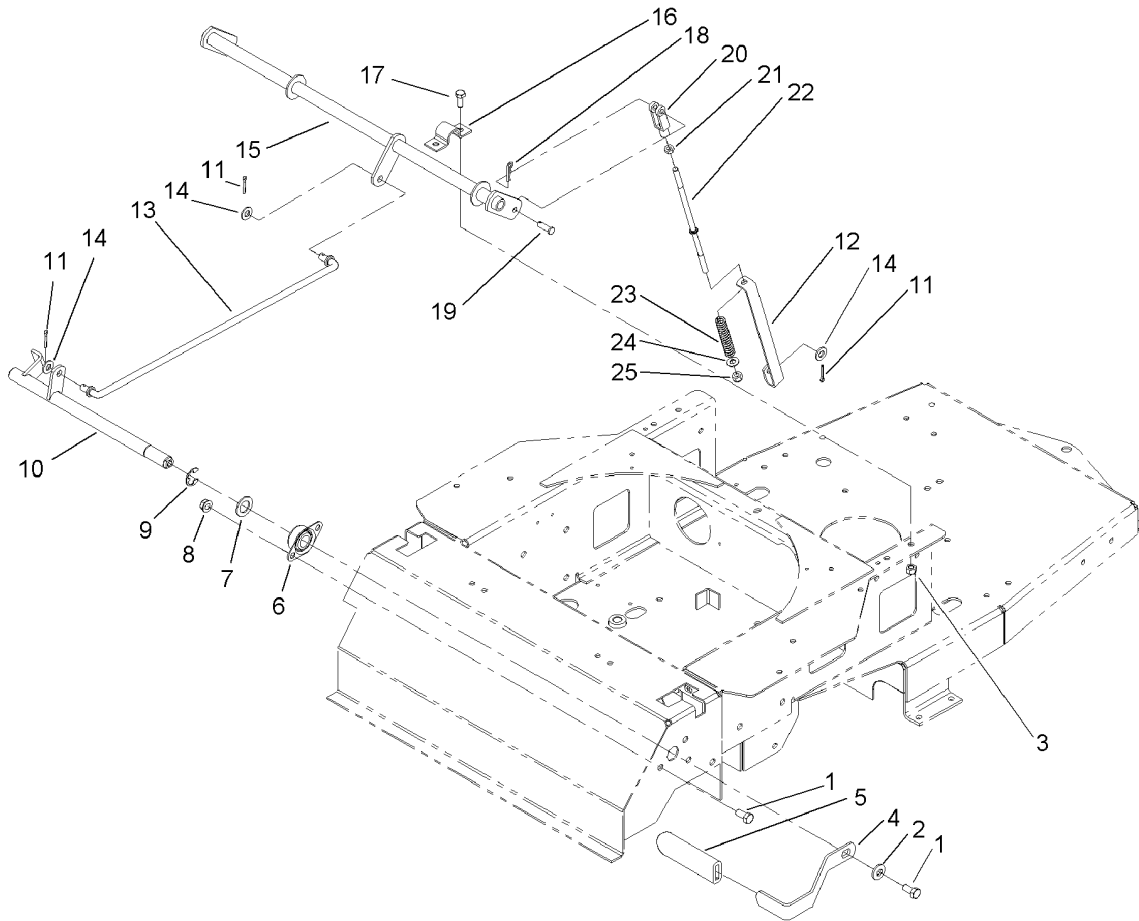
Ref	Part No.	Qty.	Description
25	92-6750	2	Spacer-Nylon
27	105-1854	1	Cover-Conduit
28	107-2473	1	Decal-Service
29	105-1853	2	Clamp-Hose
31	322-3	4	Screw-HH
32	92-7054	2	Spring-Compression
33	701178	2	Cap-Protector
34	109989	2	Spacer-Nylon



Fuel Tank Assembly

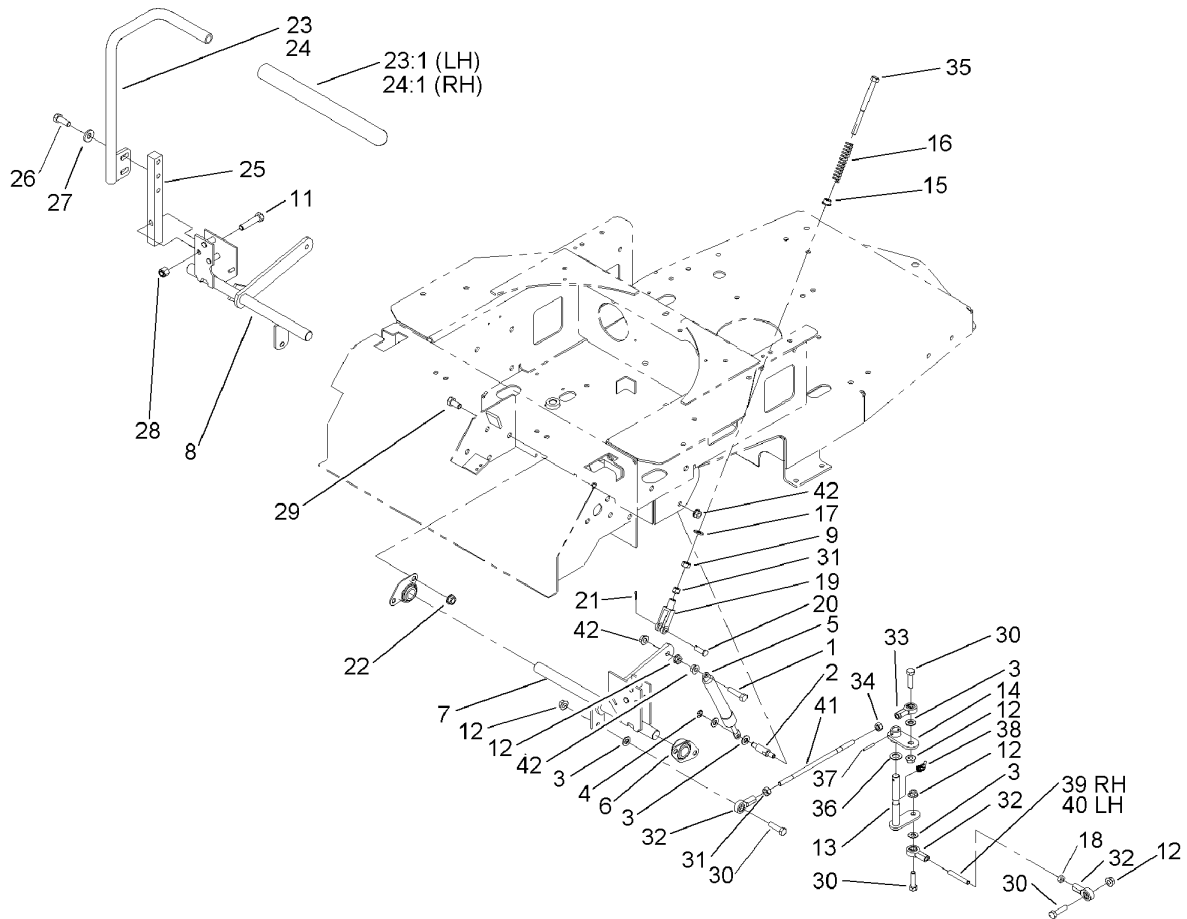
Ref	Part No.	Qty.	Description
1	105-3494	1	Fuel Tank ASM
1:2	46-6560	1	Bushing
1:3	104048	1	Valve-Fuel
2	105-1918	1	Tank-Console
3	3256-23	8	Washer-Flat
4	3253-4	4	Washer-Lock
5	322-3	4	Screw-HH
7	2412-98	2	Clamp
9	104-8060	1	Hose-Fuel
10	88-3980	1	Gas Cap ASM
10:3	88-4010	1	Gasket-Cap, Gas
11	1-633023	4	Stud
12	1-633349	4	Spring-Tank, Fuel
13	3296-47	4	Nut-Lock, NI
14	104-8081	1	Cable-Throttle
15	104-3664-03	1	Panel-Control
16	3250-14	4	Screw-PPH
18	104-8009	1	Decal-Panel, Control
19	105-1854	1	Cover-Conduit
20	614249	1	Strap-Tie

--	--	--	--



Parking Brake Assembly

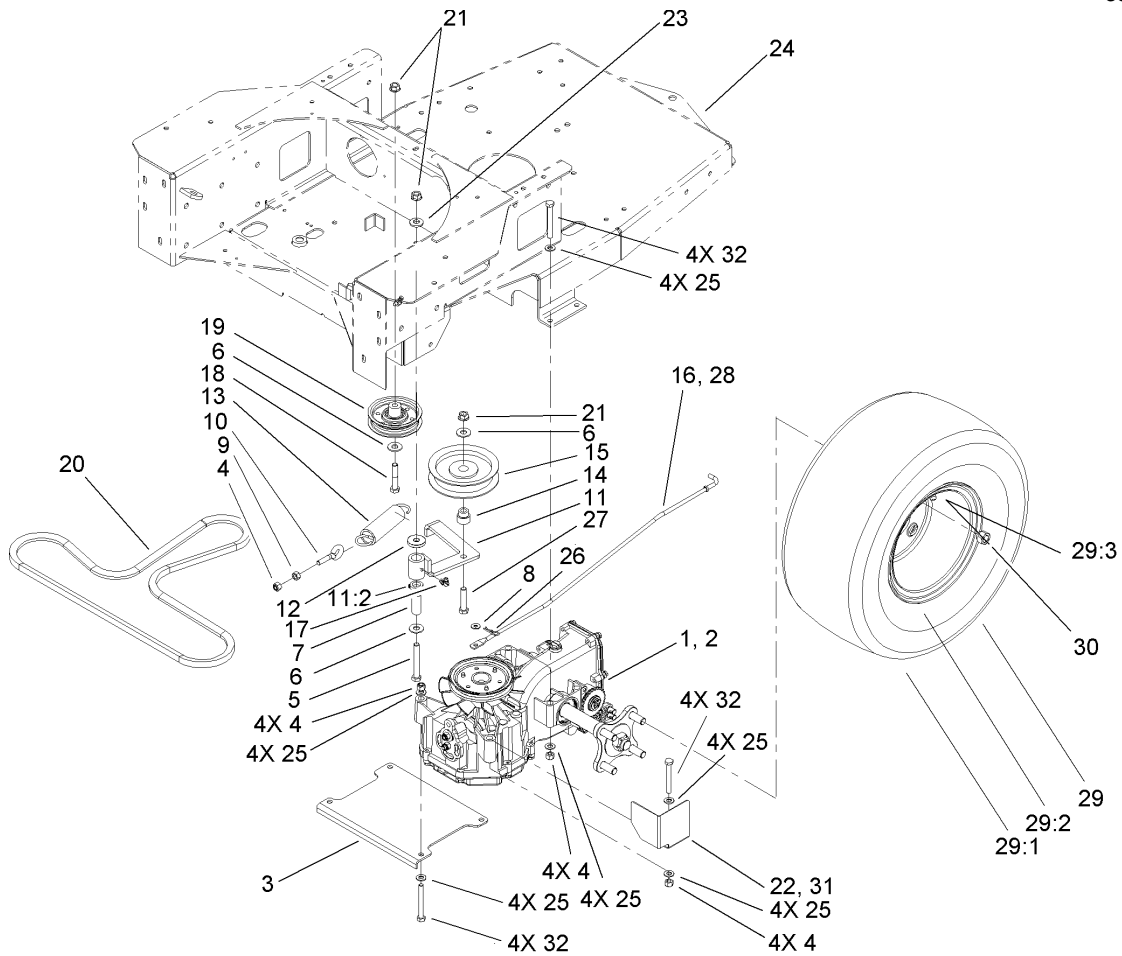
Ref	Part No.	Qty.	Description	Ref	Part No.	Qty.	Description
1	323-4	5	Screw-HH	25	3296-4	2	Nut-Lock
2	98-5975	1	Washer-Belleville				
3	3296-29	4	Nut-Lock, NI				
4	100-7346-03	1	Handle-Brake, Park				
5	1-633268	1	Grip-Lever, Brake				
6	1-633102	2	Bearing-Flange, Side				
7	1-303007	1	Washer				
8	3290-357	4	Nut-HHF, Whiz				
9	32151-48	1	E-Ring				
10	100-7318	1	Brake Shaft ASM				
11	3272-10	4	Pin-Cotter				
12	104-3675	2	Bracket-Spring, Brake				
13	104-8046	1	Rod-Brake, Upper				
14	3256-24	4	Washer-Flat				
15	104-3670-03	1	Shaft-Brake				
16	88-4730	2	Clamp-Pivot, HOC				
17	322-3	4	Screw-HH				
18	1-806003	2	Pin-Hair				
19	1-808280	2	Pin-Clevis				
20	1-303105	2	Yoke-Adjustable				
21	3219-2	2	Nut-Hex				
22	104-3674	2	Rod-Brake, Upper				
23	38-4520	2	Spring				
24	3256-23	2	Washer-Flat				



Motion Control Assembly

Ref	Part No.	Qty.	Description
1	1-403180	2	Screw-HH
2	1-653316	2	Pin-Damper
3	3256-23	10	Washer-Flat
4	32120-35	2	Ring-Retaining, EXT
5	103-2913	2	Damper-Control, Motion
6	1-633102	4	Bearing-Flange, Side
7	100-7341	1	Bracket-Motion Control, LH
8	100-7340	1	Bracket-Motion Control, RH
9	3296-4	2	Nut-Lock
11	323-9	2	Screw-HH
12	32128-20	10	Nut-HF
13	100-7311	2	Pivot ASM
14	100-7313	2	Pivot Plate ASM
15	1-603735	2	Bushing-Flanged
16	1-603807	2	Spring-Return, Neutral
17	3256-2	2	Washer-Flat
18	3220-2	2	Nut-Jam
19	1-303105	2	Yoke-Adjustable
20	1-808280	2	Pin-Clevis
21	3272-5	2	Pin-Cotter
22	3290-357	6	Nut-HHF, Whiz
23	103-0631	1	LH Lever ASM
23:1	1-633257	1	Grip-Control, Motion
24	103-0632	1	RH Lever ASM

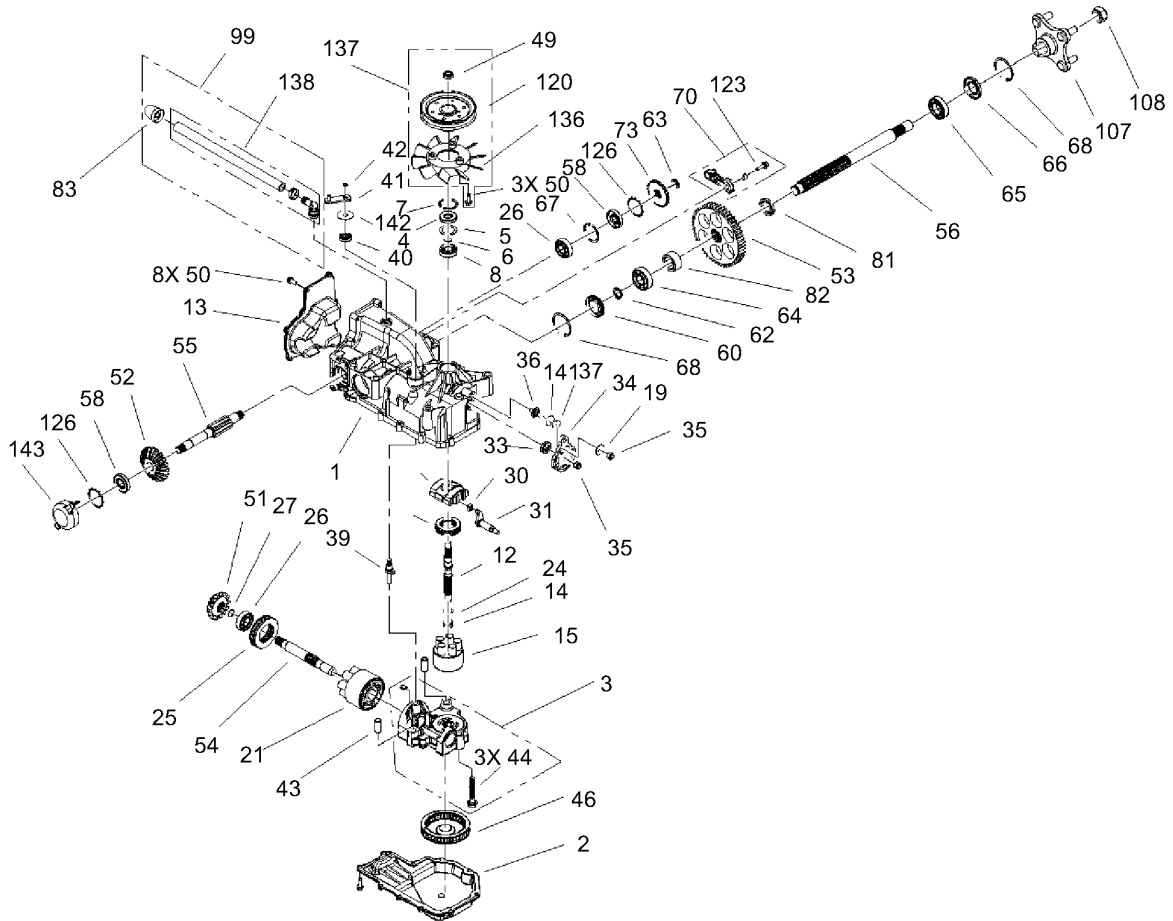
Ref	Part No.	Qty.	Description
24:1	1-633257	1	Grip-Control, Motion
25	103-0407	2	Arm-Shaft, Control
26	323-6	4	Screw-HH
27	98-5975	4	Washer-Belleville
28	3296-39	2	Nut-Lock, NI
29	323-4	6	Screw-HH
30	322-5	8	Screw-HH
31	3219-2	4	Nut-Hex
32	1-543017	6	Balljoint-RH
33	1-633152	2	Balljoint-LH
34	1-804524	2	Nut
35	1-603737	2	Bolt-Return, Neutral
36	100-7336	2	Washer
37	933156	2	Pin-Roll
38	302-11	2	Fitting-Lube, 45 DEG
39	104-3606	1	Linkage-Lower, RH
40	104-3607	1	Linkage-Lower, LH
41	104-3605	2	Linkage-Upper
42	32128-25	6	Nut-HF



Hydro and Belt Drive Assembly

Ref	Part No.	Qty.	Description
1	107-1709	1	Hydro-LH
2	107-1708	1	Hydro-RH
3	100-7317-03	1	Plate-Hydro, Lower
4	3296-29	13	Nut-Lock, NI
5	323-13	1	Screw-HH
6	3256-4	3	Washer-Flat
7	1-603044	1	Bushing
8	3256-1	2	Washer-Flat
9	32128-20	1	Nut-HF
10	55-9420	1	Bolt-Eye
11	104-3614	1	Idler Arm ASM
11:2	1-513034	2	Sleeve-Bearing
12	104-8005	1	Spacer
13	1-603414	1	Spring-Extension
14	1-603496	1	Bushing-Idler
15	1-603843	1	Pulley-Idler
16	104-3668	1	Rod-RH
17	302-40	1	Fitting-Grease
18	323-10	1	Screw-HH
19	104-3630	1	Pulley-Idler
20	104-3622	1	Belt-V
21	32128-21	3	Nut-HF
22	104-8033-03	1	Guard-Fan, LH
23	98-5975	1	Washer-Belleville

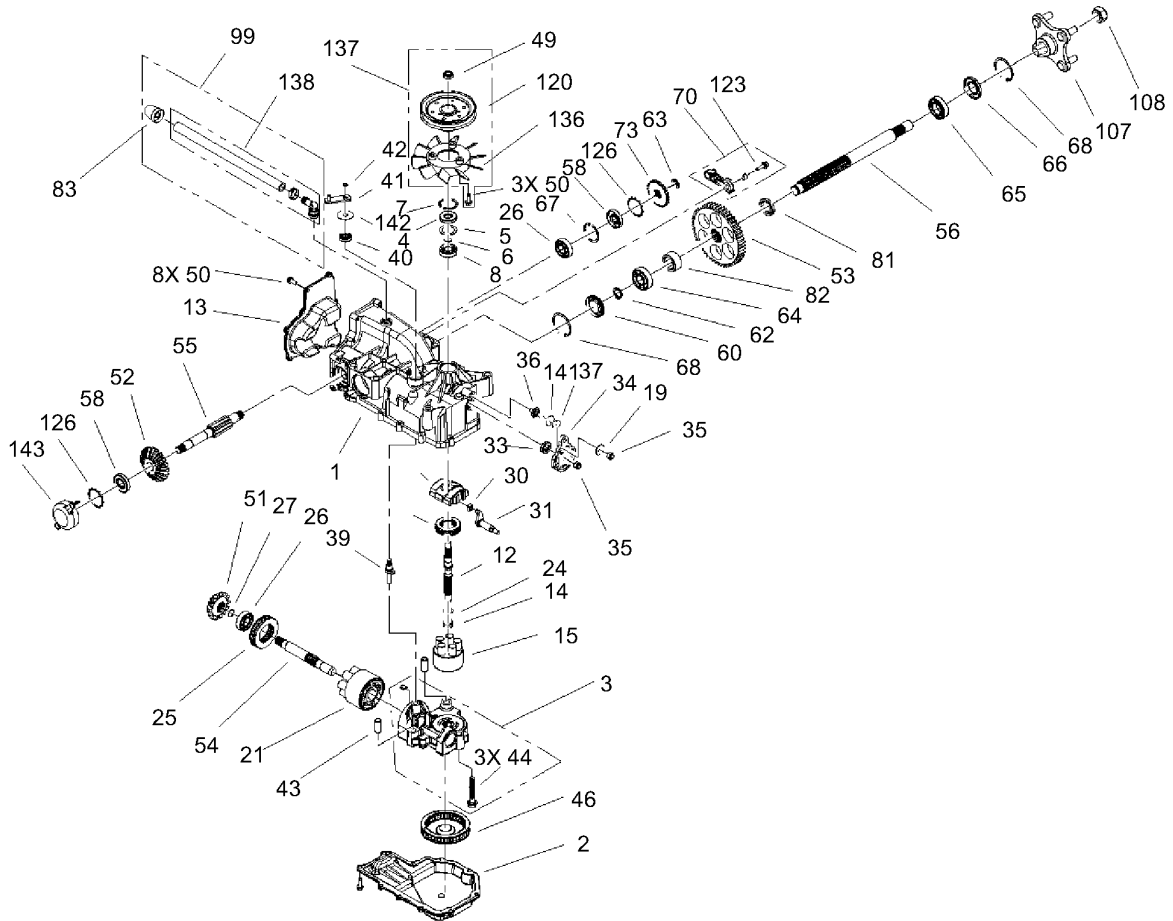
Ref	Part No.	Qty.	Description
24	104-8008	1	Decal-Transport
25	3256-23	24	Washer-Flat
26	1-806003	2	Pin-Hair
27	323-9	1	Screw-HH
28	104-3669	1	Rod-LH
29		2	Wheel & Tire ASM
29:1	105-1945	1	Tire
29:2	105-1947	1	Wheel
29:3	232-27	1	Stem-Valve
29:4	105-4070	1	Tube-Inner
30	242-50	8	Nut-Lug
31	104-8013-03	1	Guard-Fan, RH
32	322-13	12	Screw-HH



LH Hydro Transaxle Assembly No. 107-1709

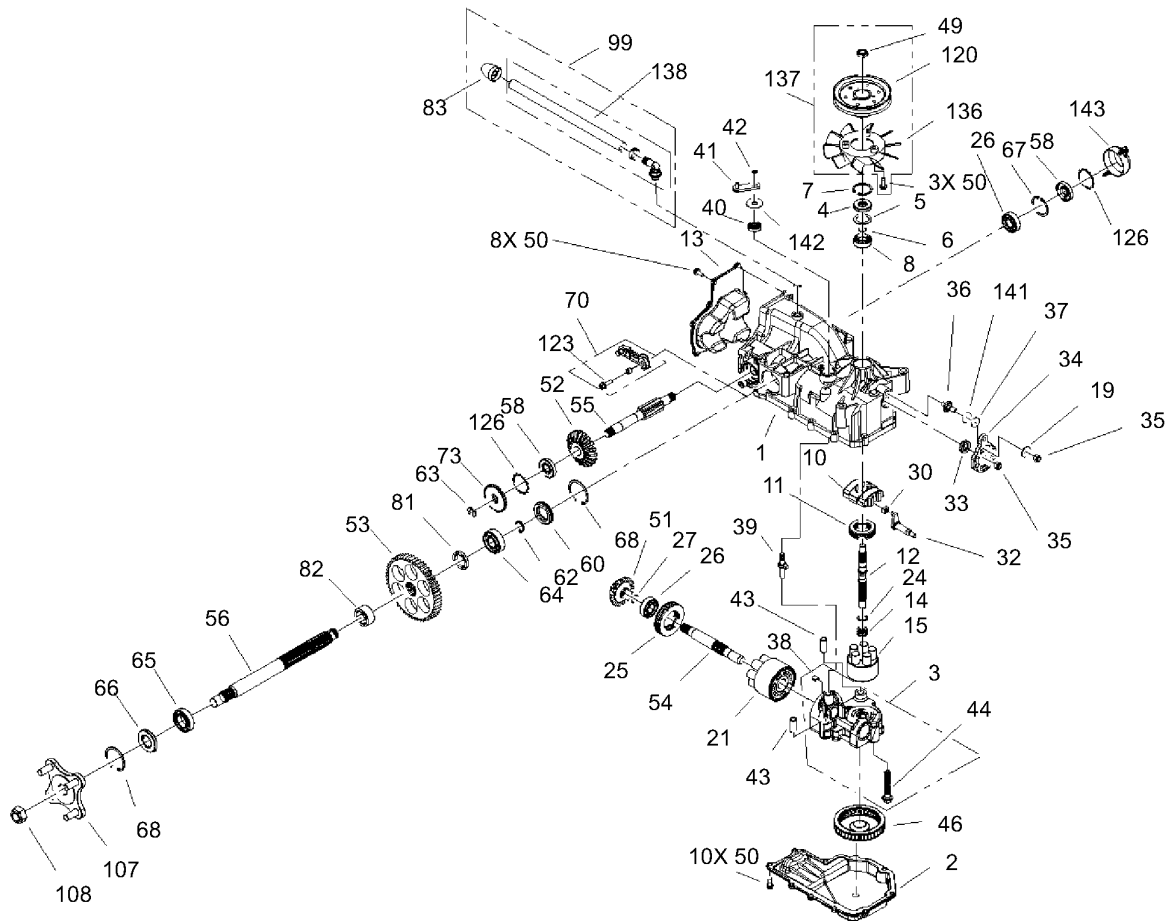
Ref	Part No.	Qty.	Description
1	107-1700	1	Main Housing Kit
2	105-1868	1	Housing-Lower
3	105-1869	1	Center Section Kit ASM
4	92-6543	1	Seal-Lip
5	104-2104	1	Spacer
6	94-1902	1	Ring-Wire, Retaining
7	94-1903	1	Ring-Retaining
8	94-1904	1	Bearing-Shaft, Ball
10	94-1907	1	Swashplate-Variable
11	94-6922	1	Bearing-Thrust
12	104-5067	1	Shaft-Input
13	105-1870	1	Cover-Back
14	94-1936	1	Spring-Block
15	104-2106	1	Cylinder Block ASM
19	5-4460	1	Washer-Pivot
21	94-1913	1	Cylinder Block ASM
24	94-1937	1	Washer-Block, Thrust
25	94-6923	1	Bearing-Thrust
26	104-5311	2	Bearing-Ball
27	104-5307	1	Ring-Retaining
30	94-1910	1	Guide-Slot
31	104-2112	1	Trunnion ASM
33	92-6544	1	Seal-Lip
34	105-1871	1	Arm-Control

Ref	Part No.	Qty.	Description
35	105-1872	2	Nut
36	104-2116	1	Stud
37	105-1873	1	Puck-Friction
38	94-6925	1	Plate-Bypass
39	94-1914	1	Actuator-Bypass
40	92-6545	1	Seal-Lip
41	104-2117	1	Arm-Bypass
42	936109	1	Ring-Retaining
43	94-1927	2	Pin
44	94-6926	3	Bolt
46	105-1874	1	Filter
49	105-1875	1	Nut-Lock
50	104-2120	21	Screw
51	105-1876	1	Gear-Bevel, 14T
52	105-1877	1	Gear-Bevel, 19T
53	105-1878	1	Gear-Bevel, 53T
54	105-1879	1	Shaft-Motor
55	105-1880	1	Shaft-Brake
56	105-1881	1	Shaft-Axle
58	104-5310	2	Seal-Lip
60	105-1882	1	Plug-Side Seal
62	105-1883	1	Ring-Axle, Retaining
63	105-1884	1	Ring-Retaining
64	105-1885	1	Bearing-Ball



LH Hydro Transaxle Assembly No. 107-1709 (continued)

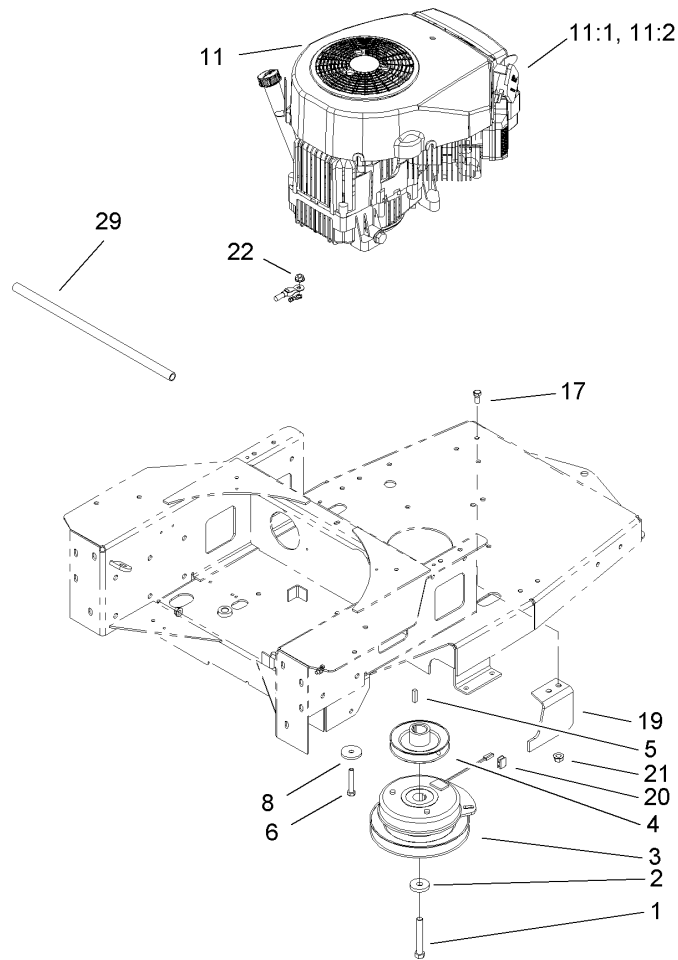
Ref	Part No.	Qty.	Description
65	105-1886	1	Bearing-Ball
66	105-1887	1	Seal
67	104-5309	1	Ring-Retaining
68	105-1888	2	Ring-Retaining, Axle
70	105-1889	1	LH Brake Arm ASM
73	105-1890	1	Disc-Brake
81	105-1891	1	Bushing-Axle
82	105-1892	1	Bushing-Axle
83	107-1701	1	Cap Vent ASM
99	107-1702	1	Breather Kit
●100	104-2147	1	Sealant
107	105-1894	1	Hub ASM
108	105-1895	1	Nut
120	104-1754	1	Pulley
123	107-1703	1	Screw-HHF
126	105-1898	2	Ring-Retaining
●134	105-1899	1	Seal Kit
136	105-1927	1	Fan
137	105-1928	1	Fan Pulley Kit
138	107-1704	1	Hose/Fitting ASM
141	107-1705	1	Washer
142	107-1706	1	Washer
143	107-1707	1	Cover-Brake, Plastic



RH Hydro Transaxle Assembly No. 107-1708

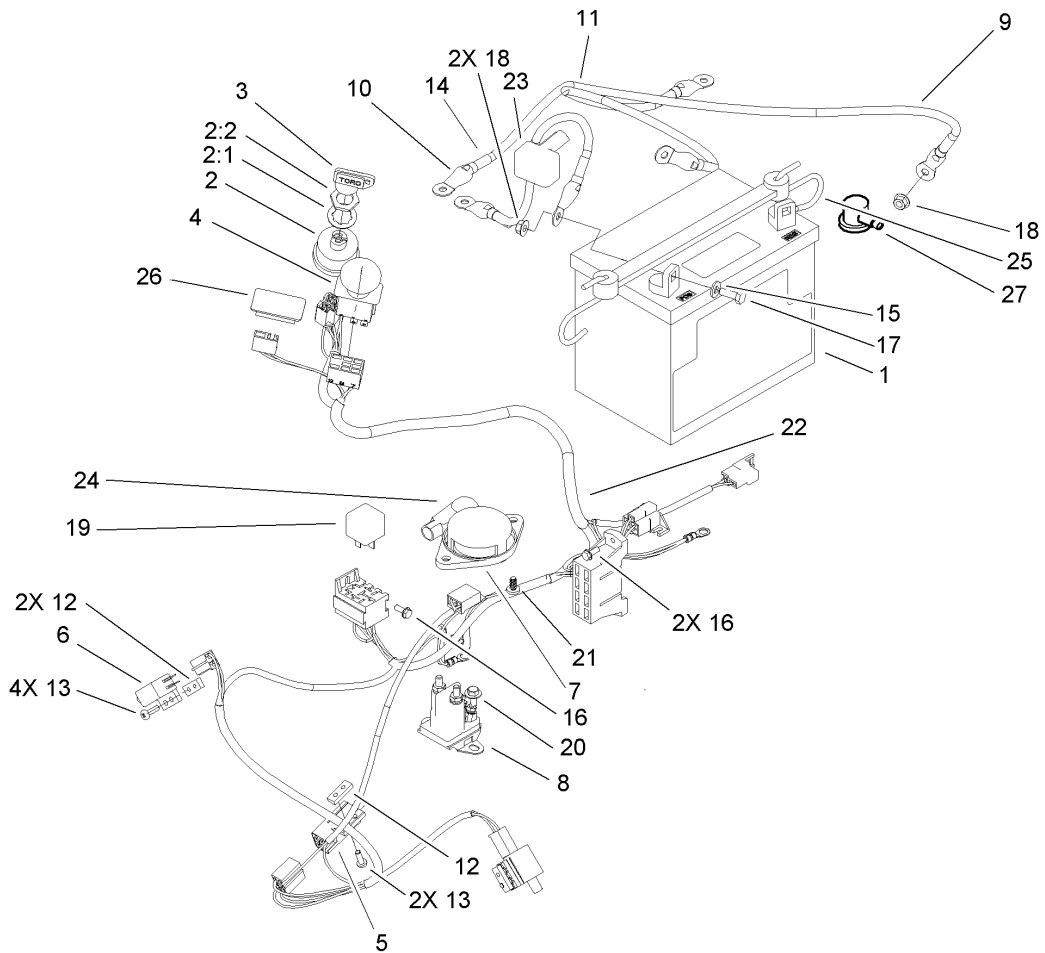
Ref	Part No.	Qty.	Description
1	107-1700	1	Main Housing Kit
2	105-1868	1	Housing-Lower
3	105-1869	1	Center Section Kit ASM
4	92-6543	1	Seal-Lip
5	104-2104	1	Spacer
6	94-1902	1	Ring-Wire, Retaining
7	94-1903	1	Ring-Retaining
8	94-1904	1	Bearing-Shaft, Ball
10	94-1907	1	Swashplate-Variable
11	94-6922	1	Bearing-Thrust
12	104-5067	1	Shaft-Input
13	105-1870	1	Cover-Back
14	94-1936	1	Spring-Block
15	104-2106	1	Cylinder Block ASM
19	5-4460	1	Washer-Pivot
21	94-1913	1	Cylinder Block ASM
24	94-1937	1	Washer-Block, Thrust
25	94-6923	1	Bearing-Thrust
26	104-5311	2	Bearing-Ball
27	104-5307	1	Ring-Retaining
30	94-1910	1	Guide-Slot
31	104-2112	1	Trunnion ASM
33	92-6544	1	Seal-Lip
34	105-1871	1	Arm-Control

Ref	Part No.	Qty.	Description
35	105-1872	2	Nut
36	104-2116	1	Stud
37	105-1873	1	Puck-Friction
38	94-6925	1	Plate-Bypass
39	94-1914	1	Actuator-Bypass
40	92-6545	1	Seal-Lip
41	104-2117	1	Arm-Bypass
42	936109	1	Ring-Retaining
43	94-1927	2	Pin
44	94-6926	3	Bolt
46	105-1874	1	Filter
49	105-1875	1	Nut-Lock
50	104-2120	21	Screw
51	105-1876	1	Gear-Bevel, 14T
52	105-1877	1	Gear-Bevel, 19T
53	105-1878	1	Gear-Bevel, 53T
54	105-1879	1	Shaft-Motor
55	105-1880	1	Shaft-Brake
56	105-1881	1	Shaft-Axle
58	104-5310	2	Seal-Lip
60	105-1882	1	Plug-Side Seal
62	105-1883	1	Ring-Axle, Retaining
63	105-1884	1	Ring-Retaining
64	105-1885	1	Bearing-Ball



Engine and Clutch Assembly

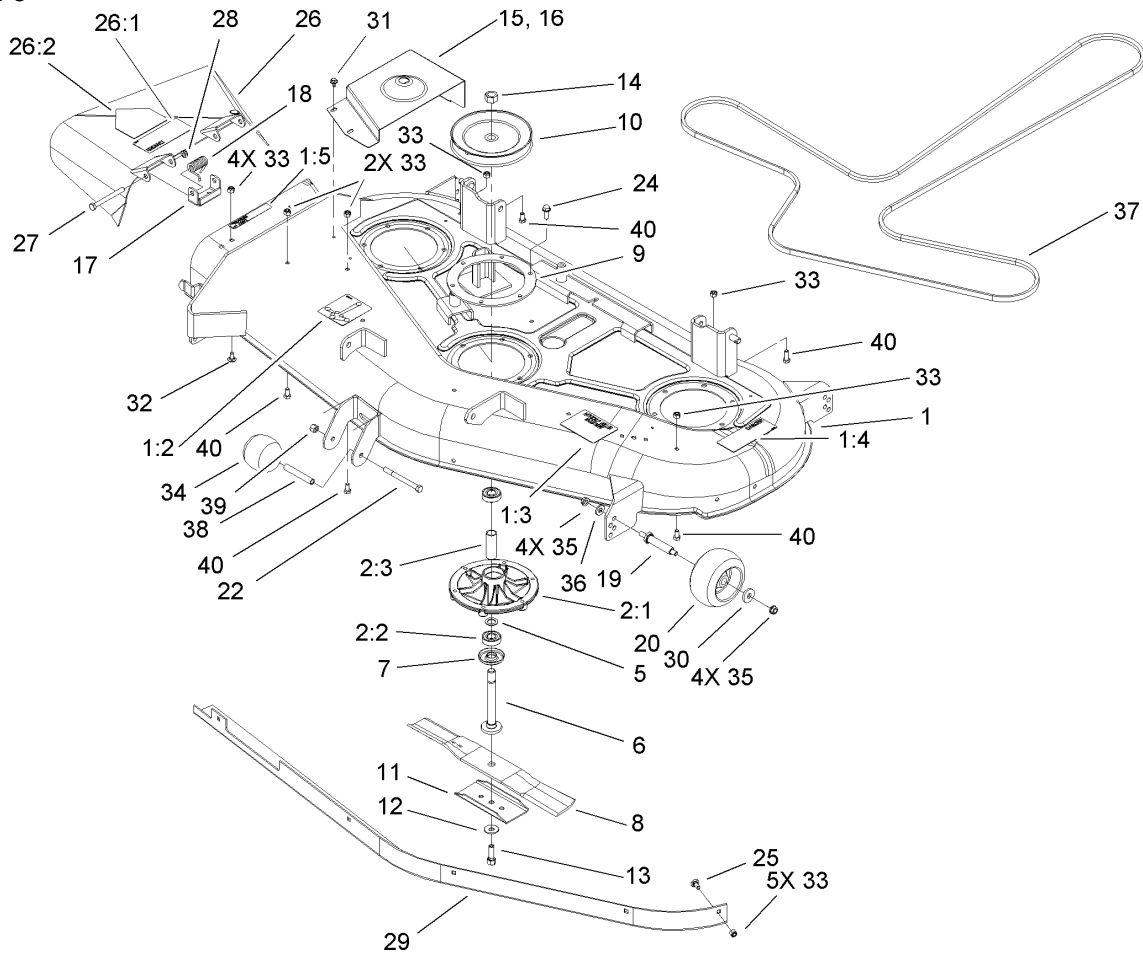
Ref	Part No.	Qty.	Description
1	3212-12	1	Screw-HH
2	112843	1	Washer
3	104-3624	1	Clutch
4	100-7314	1	Pump Drive Pulley ASM
5	5-7280	1	Key
6	322-7	4	Screw-HH
8	62-7190	4	Spacer-Steel
11		1	Engine-Kawasaki, FH580V-As13
11:1	100-6467	1	Muffler
11:2	100-6468	1	Clamp-Muffler
17	323-4	2	Screw-HH
19	104-3613-03	1	Stop-Clutch
20	98-5023	1	Bumper
21	32128-21	2	Nut-HF
22	32128-25	4	Nut-HF
29	106-7022	1	Tube-Drain, Oil



Electrical System Assembly

Ref	Part No.	Qty.	Description
1	104-2491	1	Battery-Dry
2	88-9830	1	Key Switch ASM
2:1	3254-5	1	Washer-Tooth
2:2	218-461	1	Nut-HH
3	63-8360	1	Key-Ignition
4	95-7489	1	Switch-PTO
5	86-4690	1	Switch-Interlock
6	65-7410	2	Switch-Pole, Single
7	105-6959	1	Switch-Seat
8	106-8245	1	Solenoid
9	56-7670	1	Wire ASM
10	106-8269	1	Cable-Battery, Red
11	93-0324	1	Cable
12	1-633181	3	Plate-Tapped
13	32144-8	6	Screw-PPHTF
14	32149-2	2	Nut-Keps
15	3256-22	2	Washer-Flat
16	32144-1	3	Screw-Taptite
17	321-4	2	Screw-HH
18	32128-33	3	Nut-HF
19	98-7249	1	Relay
20	46-8560	2	Screw-HHF
21	105-6968	2	Screw-Seat, Switch
22	107-2504	1	Harness-Wire

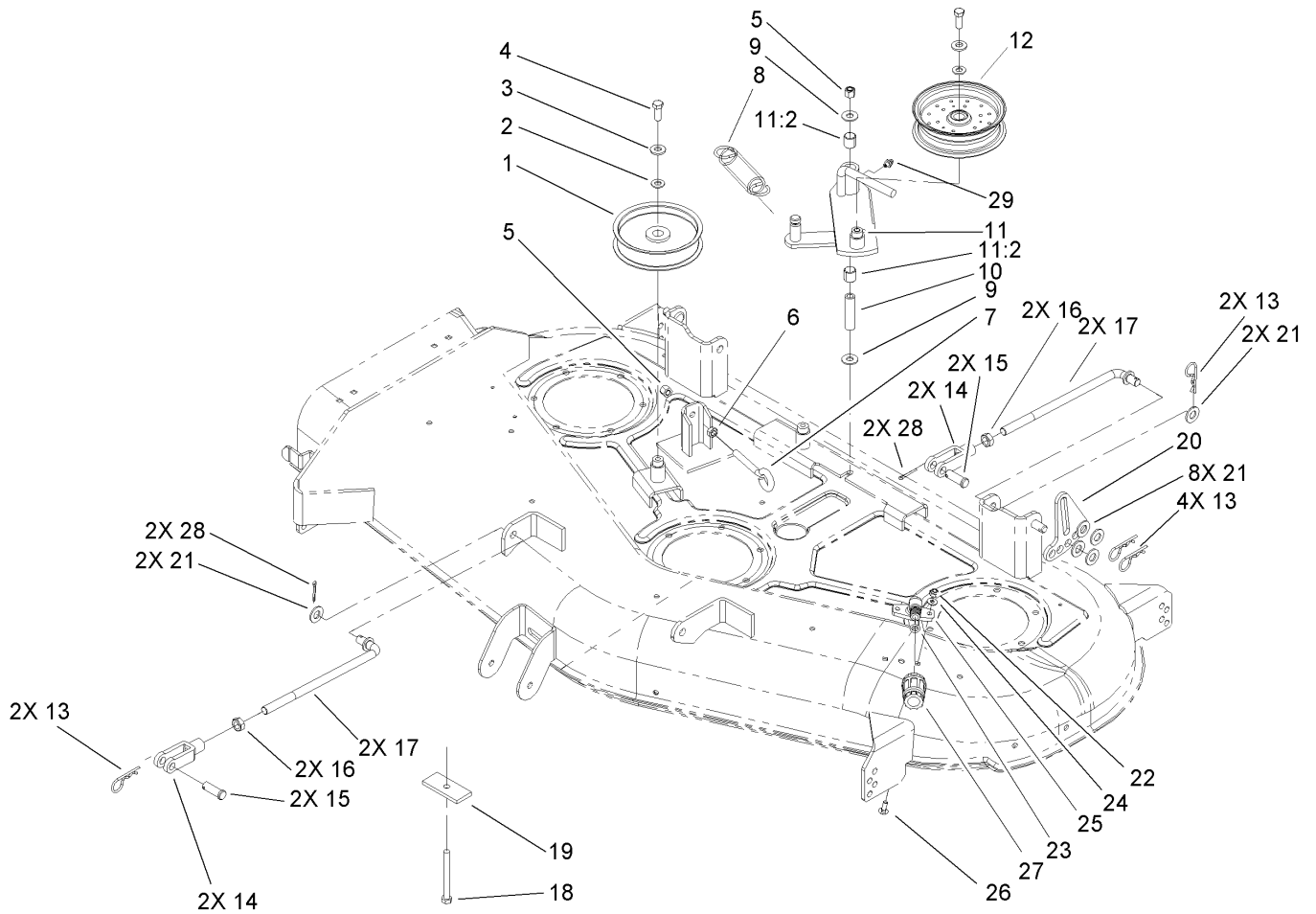
Ref	Part No.	Qty.	Description
23	28-8080	1	Boot-Terminal
24	93-3190	1	Boot-Insulator, Terminal
25	104-2466	1	Holddown-Battery
26	99-7420	1	Plug-Hole
27	93-3190	1	Boot-Insulator, Terminal



52in Deck Assembly

Ref	Part No.	Qty.	Description
1	106-7000	1	Deck ASM
1:2	99-3943	1	Decal-Routing, Belt
1:3	98-3798	1	Decal-Wheel, Gage
1:4	92-7108	1	Decal-Danger
1:5	92-7109	1	Decal-Caution
2	107-1739	3	Spindle ASM
2:1	107-1739	1	Housing-Spindle
2:2	100-1048	2	Bearing-Ball
2:3	62-3661	1	Spacer-Bearing
5	80-4380	3	Spacer
6	80-4341	3	Shaft
7	80-4360	3	Shield-Bearing
8	107-1741-03	3	Blade
9	107-1743-03	3	Ring-Support, Deck
10	107-1740	3	Pulley And Hub ASM
11	80-0510-03	3	Stiffener-Blade
12	3290-465	3	Washer-Belleville
13	26-0671	3	Screw-Blade
14	3219-6	3	Nut-Hex
15	104-3685-01	1	Cover-Belt, LH
16	104-3684-01	1	Cover-Belt, RH
17	29-5590-03	2	Bracket-Pivot
18	40-6230	2	Spring
19	99-2842	4	Spacer

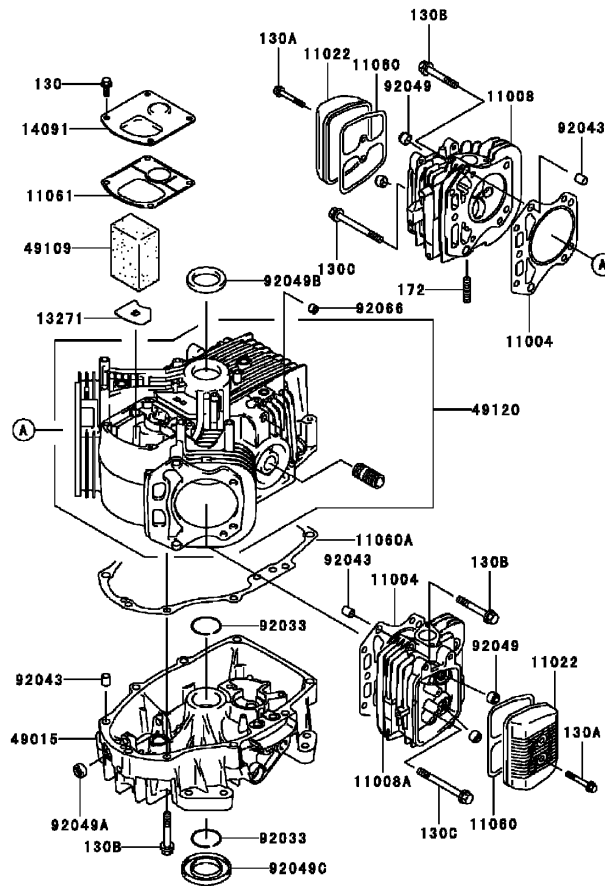
Ref	Part No.	Qty.	Description
20	68-2730	4	Wheel-Gage
22	323-16	1	Screw-HH
24	32144-41	18	Screw-Taptite
25	3230-18	5	Screw-CARR
26	94-1580	1	Deflector ASM
26:1	92-7108	1	Decal-Danger
26:2	93-1122	1	Decal-Danger
27	3211-15	2	Screw-HH
28	3296-5	2	Nut-Lock
29	67-2150-03	1	Baffle
30	1-373034	4	Washer
31	46-8560	5	Screw-HHF
32	3230-18	4	Screw-CARR
33	3296-29	14	Nut-Lock, NI
34	29-4820	1	Roller
35	3290-357	8	Nut-HHF, Whiz
36	98-5975	4	Washer-Belleville
37	106-2217	1	Belt-V
38	94-2500	1	Tube-Spacer, Wheel
39	3296-39	1	Nut-Lock, NI
40	322-2	5	Screw-HH



52in Deck Belt Drive and Lift System Assembly

Ref	Part No.	Qty.	Description
1	1-613098	2	Pulley-Idler
2	3256-24	3	Washer-Flat
3	98-5975	3	Washer-Belleville
4	323-6	3	Screw-HH
5	3296-39	2	Nut-Lock, NI
6	3217-7	1	Nut-Hex
7	94-2547	1	Bolt-Eye
8	105-6992	1	Spring-Extension
9	1-809107	2	Washer-Hardened
10	1-603384	1	Bushing-Pivot, Idler
11	105-7010	1	Idler Arm ASM
11:2	1-513034	2	Sleeve-Bearing
12	99-8912	1	Pulley-Idler, Flat
13	1-806005	8	Pin-Hair
14	100-7338	4	Clevis
15	104-3634	4	Pin-Clevis
16	3220-5	4	Nut-Jam
17	104-8047	4	Rod-Trunion
18	1-800805	1	Screw-HH
19	104-8037-03	1	Plate-Bolt, Retainer
20	104-3699-01	2	Link-HOC, Adjusting
21	3256-26	12	Washer-Flat
22	3296-16	2	Nut-Lock, NI
23	46-6290	1	O-Ring

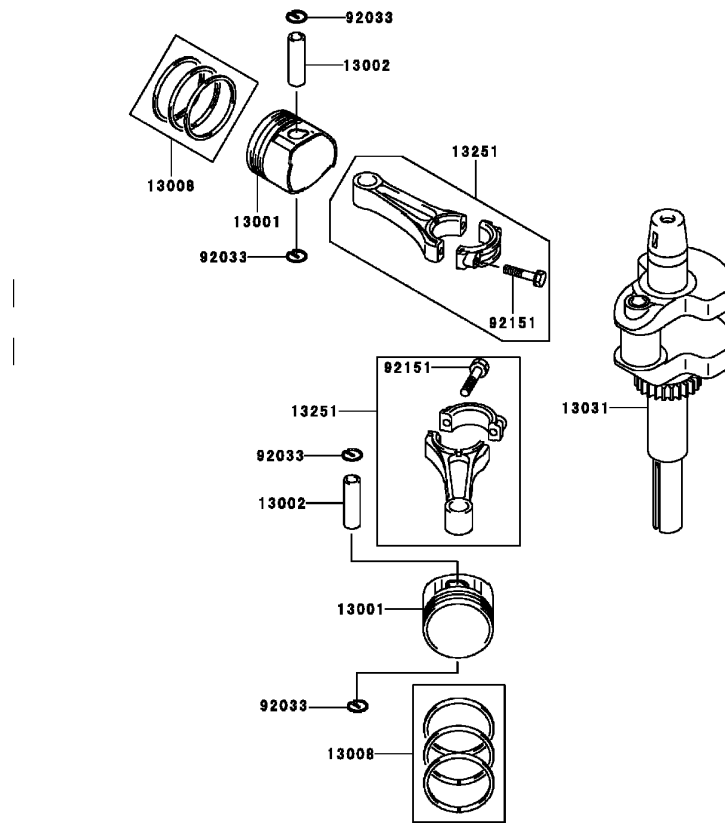
Ref	Part No.	Qty.	Description
24	3256-1	2	Washer-Flat
25	95-2747	1	Fitting-Washout
26	3229-1	2	Screw-CARR
27	95-3270	1	Connector-Hose
28	3272-10	4	Pin-Cotter
29	302-19	1	Fitting-Grease



Cylinder and Crankcase Assembly Kawasaki FH580V-AS13

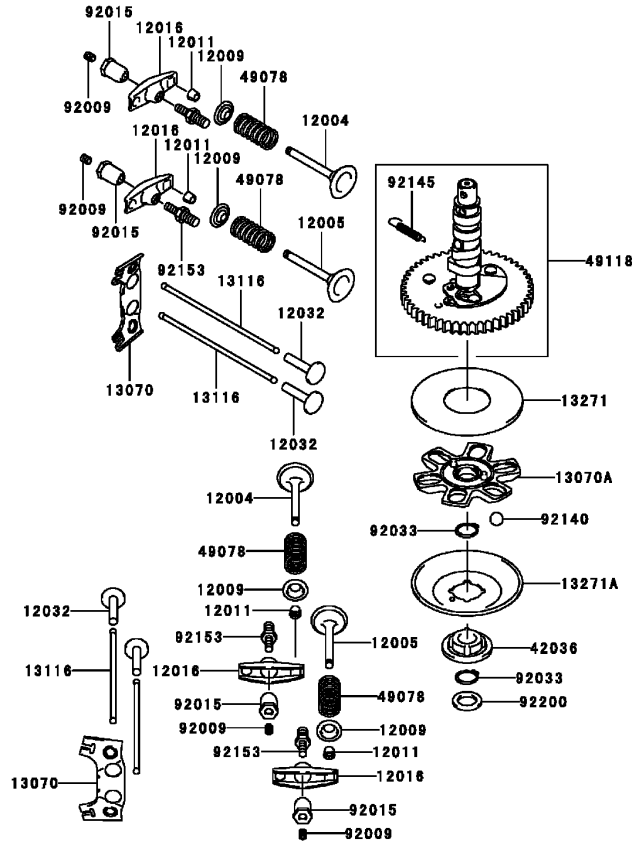
Ref	Part No.	Qty.	Description
③11004	11004-7010	2	Gasket-Head
③11008	11008-6042	1	Head-Cylinder
③11008A	11008-7009	1	Head-Cylinder
③11022	11022-7003	2	Case-Rocker
③11060	11060-7001	2	Gasket-Case, Rocker
③11060A	11060-7008	1	Gasket-Cover, Crankcase
③11061	11061-7001	1	Gasket-Breather
③13271	13271-7016	1	Plate
③14091	14091-7006	1	Cover
③49015	49015-6253	1	Cover-Crankcase
③49109	49109-7002	1	Element-Breather
③49120	49120-7023	1	Crankcase
③92033	92033-7003	2	Ring-Snap
③92043	92043-7001	6	Pin
③92049	92049-7001	4	Seal-Oil, R V C2 (6X11X10.2)
③92049A	92049-7005	1	Seal-Oil, S O (8X14X5 H S)
③92049B	92049-7010	0	Seal-Oil, Sd (35X48X8 R Hs)
③92049C	92049-7011	1	Seal-Oil, S D (35X62X8 L H S)
③92066	92066-7002	1	Plug
③130	130B0612	4	Bolt-Flanged (6X12)
③130A	130B0640	4	Bolt-Flanged (6X40)
③130B	130T0850	17	Bolt-Flanged (8X50)
③130C	130T0875	2	Bolt-Flanged (8X75)
③172	172G0818	4	Bolt-Stud (8X18)

--	--	--	--



Piston and Crankshaft Assembly Kawasaki FH580V-AS13

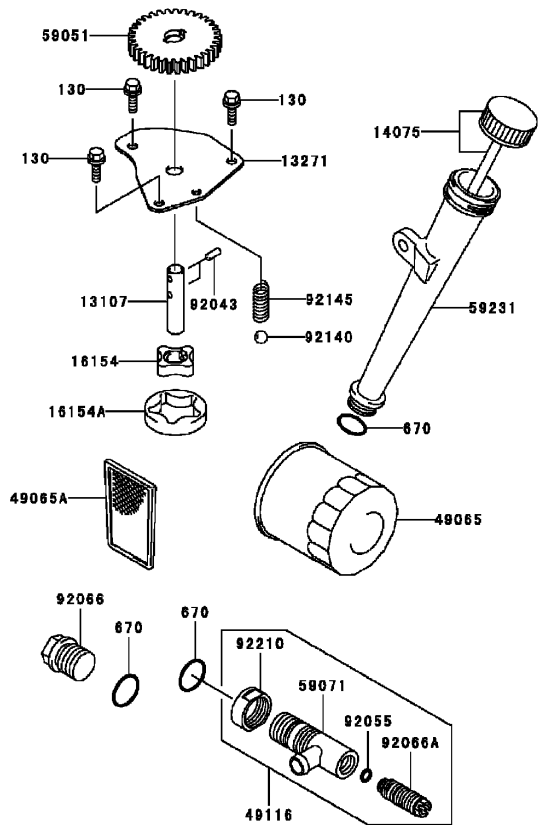
Ref	Part No.	Qty.	Description				
③13001	13001-7010	2	Piston-Engine				
③13002	13002-7001	2	Pin-Piston				
③13008	13008-6060	2	Ring Set-Piston				
③13031	13031-7036	1	Crankshaft				
③13251	13251-7010	2	Connecting Rod ASM				
③92033	92033-7005	4	Ring-Snap				
③92151	92151-7017	4	Bolt (6X35)				



Valve and Camshaft Assembly Kawasaki FH580V-AS13

Ref	Part No.	Qty.	Description
③12004	12004-7003	2	Valve-Intake
③12005	12005-7003	2	Valve-Exhaust
③12009	12009-7001	4	Retainer-Spring, Valve
③12011	12011-2056	8	Collet
③12016	12016-7001	4	Arm-Rocker
③12032	12032-7001	4	Tappet
③13070	13070-7001	2	Guide
③13070A	13070-7004	1	Guide
③13116	13116-2057	4	Rod-Push
③13271	13271-7007	1	Plate
③13271A	13271-7021	0	Plate-Governor
③42036	42036-7009	1	Sleeve
③49078	49078-7001	4	Spring-Valve, Engine
③49118	49118-7004	1	Camshaft
③92009	92009-2341	4	Screw
③92015	92015-2253	4	Nut
③92033	92033-7001	2	Ring-Snap
③92140	92140-7002	6	Ball
③92145	92145-7001	1	Spring
③92153	92153-7019	4	Bolt
③92200	92200-7001	1	Washer

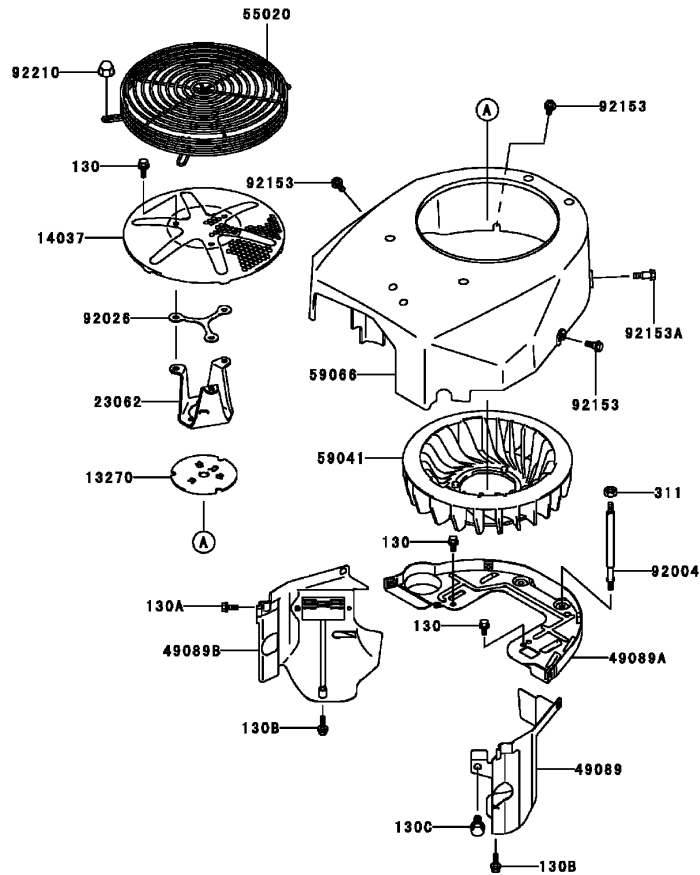
--	--	--	--



Lubrication Equipment Assembly Kawasaki FH580V-AS13

Ref	Part No.	Qty.	Description
③13107	13107-7009	1	Shaft
③13271	13271-7017	1	Plate
③14075	14075-7009	1	Cap ASM
③16154	16154-2053	1	Rotor-Pump (In)
③16154A	16154-2054	1	Rotor-Pump (Out)
③49065	49065-2078	1	Filter-Oil
③49065A	49065-7004	1	Filter-Oil
③49116	49116-7001	1	Valve ASM
③59051	59051-7011	1	Gear-Spur
③59071	59071-7008	1	Joint
③59231	59231-7005	1	Filler
③92043	92043-7003	2	Pin
③92055	92055-7002	1	O-Ring (6Mm)
③92066	92066-7003	1	Plug
③92066A	92066-7007	1	Plug
③92140	92140-7003	1	Ball
③92145	92145-7002	1	Spring
③92210	92210-7012	1	Nut
③130	130B0612	3	Bolt-Flanged (6X12)
③670	670D2016	3	O-Ring (16Mm)

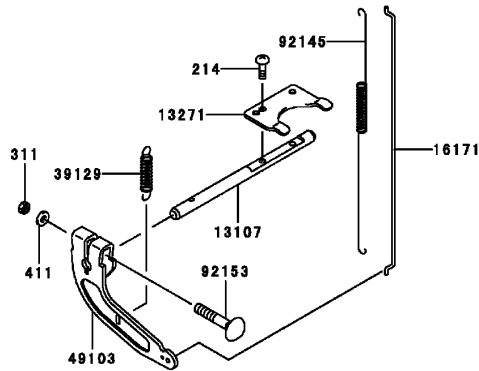
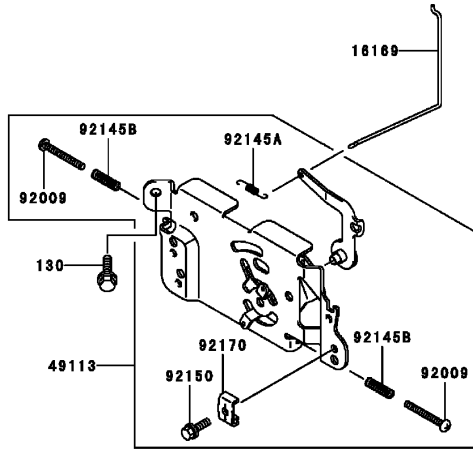
--	--	--	--



Cooling Equipment Assembly Kawasaki FH580V-AS13

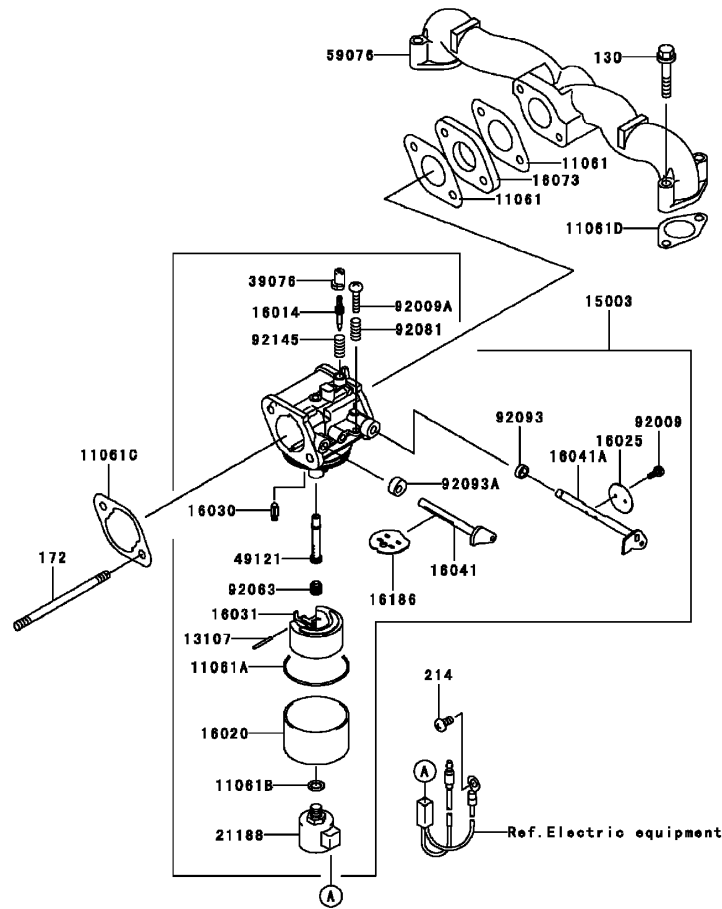
Ref	Part No.	Qty.	Description
③13270	13270-7007	1	Plate
③14037	14037-7020-9H	1	Screen
③23062	23062-7010	1	Bracket
③49089	49089-7002	1	Shroud-Engine
③49089A	49089-7032	1	Shroud-Engine
③49089B	49089-7034	1	Shroud-Engine
③55020	55020-7004	1	Guard
③59041	59041-7010	1	Fan
③59066	59066-7002	1	Housing-Fan
③92004	92004-7006	2	Stud
③92026	92026-7007	1	Spacer
③92153	92153-7007	3	Bolt
③92153A	92153-7008	1	Bolt
③92210	92210-0003	4	Nut
③130	130B0612	5	Bolt-Flanged (6X12)
③130A	130B0616	2	Bolt-Flanged (6X16)
③130B	130B0625	2	Bolt-Flanged (6X25)
③130C	130B0816	1	Bolt-Flanged (8X16)
③311	311B0600	2	Nut-Hex (6Mm)

--	--	--	--



Control Equipment Assembly Kawasaki Model FH580V-AS13

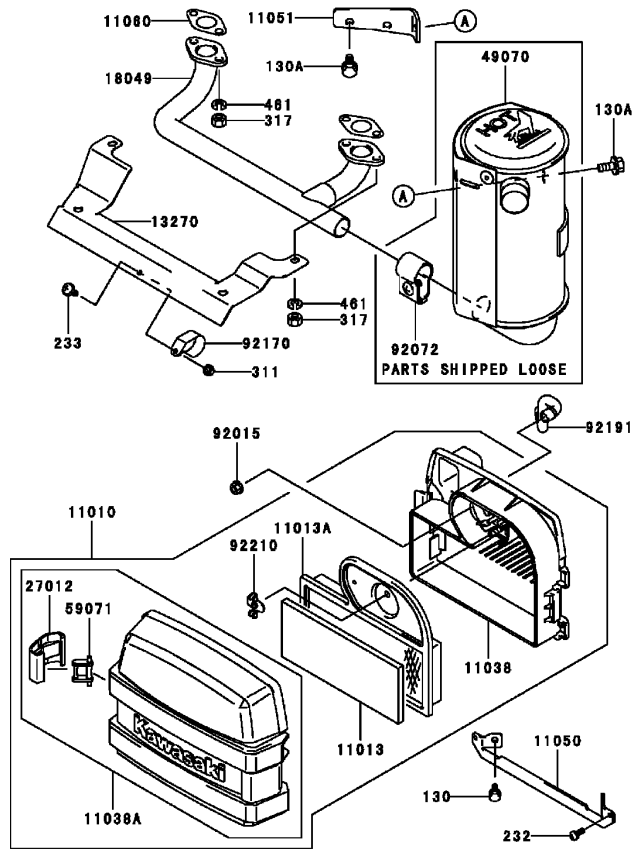
Ref	Part No.	Qty.	Description
③13107	13107-7010	1	Shaft
③13271	13271-7018	1	Plate
③16169	16169-7010	1	Link-Choke
③16171	16171-7001	1	Link
③39129	39129-7003	1	Spring-Governor
③49103	49103-7004	1	Arm-Governor
③49113	49113-7027	1	Panel-Control
③92009	92009-7007	2	Screw (4X35)
③92145	92145-7003	1	Spring
③92145A	92145-7004	1	Spring
③92145B	92145-7005	2	Spring
③92150	92150-2182	1	Bolt (5X18)
③92153	92153-7005	1	Bolt (6X35)
③92170	92170-7001	1	Clamp
③130	130B0612	2	Bolt-Flanged (6X12)
③214	214B0408	2	Screw-Pan (4X8)
③311	311B0600	1	Nut-Hex (6Mm)
③411	411B0600	1	Washer-Plain (6Mm)



Carburetor Assembly Kawasaki FH580V-AS13

Ref	Part No.	Qty.	Description
①11061	11061-7004	2	Gasket-Insulator
①11061A	11061-7009	1	Gasket-Chamber
①11061B	11061-7010	0	Gasket-Screw
①11061C	11061-7018	1	Gasket-Cleaner, Air
①11061D	11061-7019	0	Gasket
①13107	13107-7018	1	Shaft
①15003	15003-7081	1	Carburetor ASM
①16014	16014-7004	1	Screw-Air, Pilot
①16020	16020-7003	1	Chamber-Float
①16025	16025-7006	1	Valve-Throttle
①16030	16030-7003	1	Valve-Float
①16031	16031-7002	1	Float
①16041	16041-7016	1	Shaft-Choke, Carburetor
①16041A	16041-7018	1	Shaft-Throttle, Carburetor
①16073	16073-7007	1	Insulator
①16186	16186-7004	1	Choke Valve ASM
①21188	21188-7002	1	Solenoid
①39076	39076-7001	1	Limiter
①49121	49121-7004	1	Nozzle-Main
①59076	59076-7001	1	Manifold-Intake
①92009	92009-2083	2	Screw
①92009A	92009-2349	1	Screw
①92063	92063-7037	1	Jet-Main (No. 105)
①92081	92081-2234	1	Spring

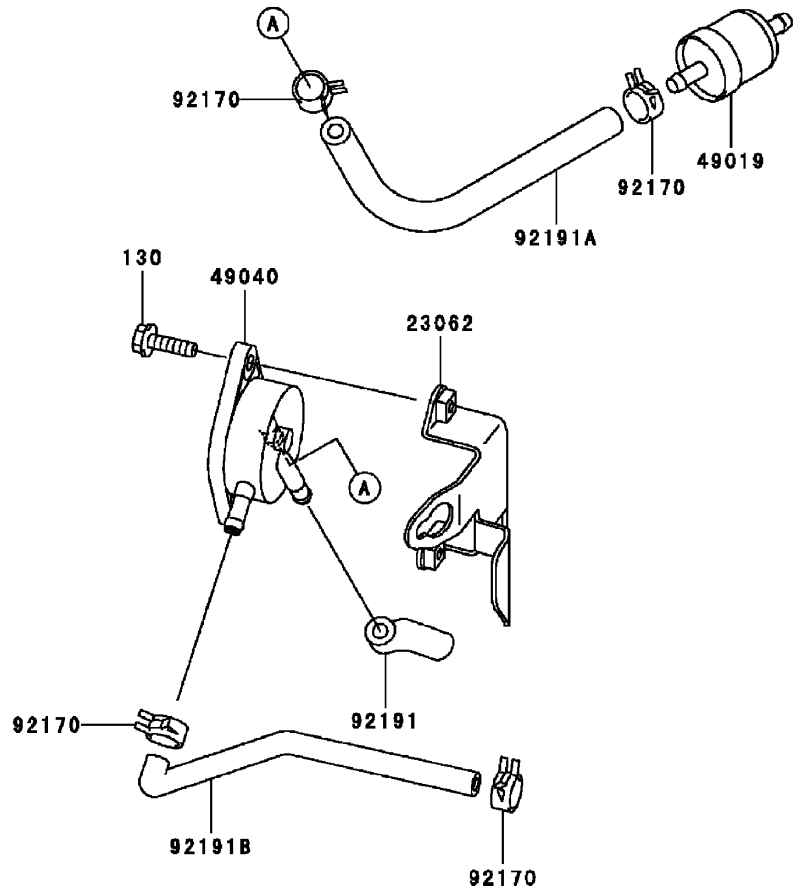
Ref	Part No.	Qty.	Description
①92093	92093-2100	1	Seal
①92093A	92093-7003	1	Seal
①92145	92145-7015	1	Spring
①130	130B0635	4	Bolt-Flanged (6X35)
①172	172G0685	2	Bolt-Stud
①214	214B0510	1	Screw-Pan (5X10)



Air Filter and Muffler Assembly Kawasaki FH580V-AS13

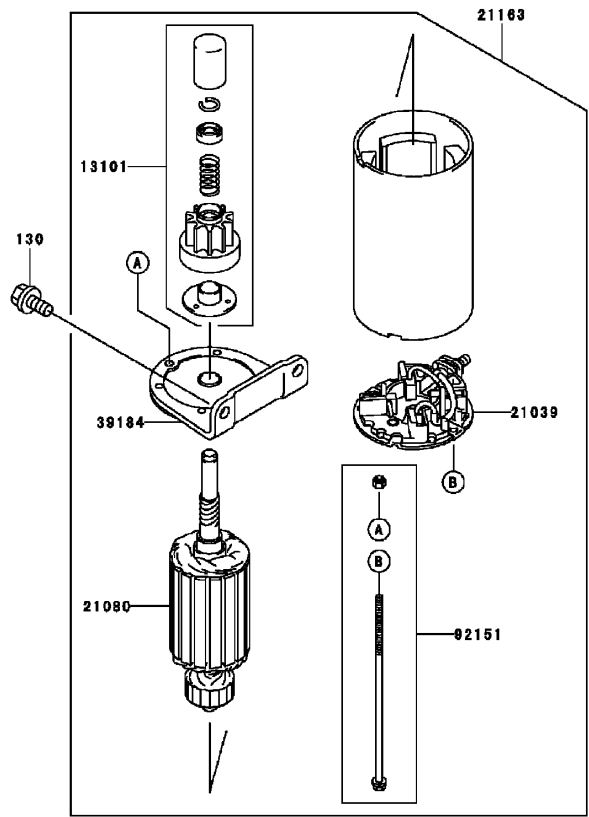
Ref	Part No.	Qty.	Description
③11010	11010-7013	1	Air Filter ASM
③11013	11013-7001	1	Element-Filter, Air
③11013A	11013-7002	1	Element-Filter, Air
③11038	11038-7006	1	Air Filter Case ASM
③11038A	11038-7011	1	Air Filter Case ASM
③11050	11050-7006	1	Bracket
③11051	11051-7005-9H	1	Bracket
③11060	11060-7021	2	Gasket-Muffler
③13270	13270-7008	1	Plate
③18049	18049-7001	1	Pipe-Exhaust
③27012	27012-7001	2	Hook-Filter, Air
③49070	49070-7015	1	Muffler
③59071	59071-7014	2	Joint
③92015	92015-1193	2	Nut
③92072	92072-7008	1	Band
③92170	92170-7002	1	Clamp
③92191	92191-7001	1	Tube
③92210	92210-7004	1	Nut
③130	130B0612	2	Bolt-Flanged (6X12)
③130A	130B0816	2	Bolt-Flanged (8X16)
③232	232B0514	2	Screw-Pan
③233	233B0416	1	Screw (4X16)
③311	311B0400	1	Nut-Hex (4Mm)

Ref	Part No.	Qty.	Description
③317	317R0800	4	Nut-Hex, Small (8Mm)
③461	461F0800	4	Washer-Spring (8Mm)



Fuel Tank and Fuel Valve Assembly Kawasaki FH580V-AS13

Ref	Part No.	Qty.	Description
②33062	23062-7004-9H	1	Bracket
②49019	49019-7001	1	Filter-Fuel
②49040	49040-7001	1	Pump-Fuel
②92170	92170-2088	4	Clamp
②92191	92191-7002	1	Tube
②92191A	92191-7003	1	Tube (6.35X12.7X160)
②92191B	92191-7004	1	Tube
②130	130B0620	2	Bolt-Flanged (6X20)



Starter Assembly Kawasaki FH580V-AS13

Ref	Part No.	Qty.	Description
● 13101	13101-7003	1	Gear ASM
● 21039	21039-7004	1	Brush
● 21080	21080-7001	1	Armature
● 21163	21163-7010	1	Starter-Electric
● 39184	39184-7004	1	Bracket ASM
● 92151	92151-7013	1	Bolt
● 130	130B0816	2	Bolt-Flanged (8X16)

--	--	--	--

NOTES

NOTES

