



## 14-38Z TimeCutter™ Z Riding Mower

Model No. 74301 - 240000001 and up.

### Parts Catalog

---

#### Ordering Replacement Parts

To order replacement parts, please supply the part number, the quantity, and the description of each part desired.

#### Understanding Reference Numbers

Each identified part in an illustration has a reference number. The reference number for a part also appears in the parts list, along with other information about the part.

This catalog uses two special reference number formats, one to indicate parts in a service assembly and another to indicate the quantity of a given part in an illustration.

#### Service Assembly Reference Numbers

Parts in service assemblies have reference numbers in the form a:b. The a represents the reference number of the entire service assembly and the b represents a sequential number unique to each part within the service assembly.

For example, a wheel assembly might be identified by reference number 6, the tire by 6:1, the valve by 6:2, and the wheel by 6:3. When you order the assembly identified by reference number 6, you receive all parts identified by reference numbers 6:1, 6:2, and 6:3. However, you may also order any part individually. Reference numbers of this type appear in illustrations and in part lists.

#### Reference Numbers Indicating Quantity

In an illustration, if a reference number indicates more than one part, the reference number has the form nX y. The n represents the quantity of the part, the X is the multiplication symbol, and the y represents the reference number.

For example, in an illustration, the reference number 2X 37 means that two of the parts identified by reference number 37 are indicated.

# Contents

Description	Page	Description	Page
Frame Assembly	3	Crankcase Assembly Briggs and Stratton 280H07-0166-E1	19
Control Assembly	5	Oil Filter, Tube and Pump Assembly Briggs and Stratton 280H07-0166-E1	20
Hydro and Belt Drive Assembly	6	Carburetor Assembly Briggs and Stratton 280H07-0166-E1	21
Engine Assembly	7	Governor Assembly Briggs and Stratton 280H07-0166-E1	22
38in Deck and Spindle and Belt Drive Assembly	9	Blower Housing Assembly Briggs and Stratton 280H07-0166-E1	23
38in Deck Assembly	10	Starter Assembly Briggs and Stratton 280H07- 0166-E1	24
Electrical System Assembly	11	Gasket Assembly Briggs and Stratton 280H07- 0166-E1	25
LH Hydrostat Assembly Part No. 107-2465	12	Carburetor Overhaul Kit Assembly Briggs and Stratton 280H07-0166-E1	26
RH Hydrostat Assembly Part No. 107-2466	14		
Cylinder Assembly Briggs and Stratton 280H07-0166-E1	16		
Cylinder Head Assembly Briggs and Stratton 280H07-0166-E1	17		
Crankshaft Assembly Briggs and Stratton 280H07-0166-E1	18		

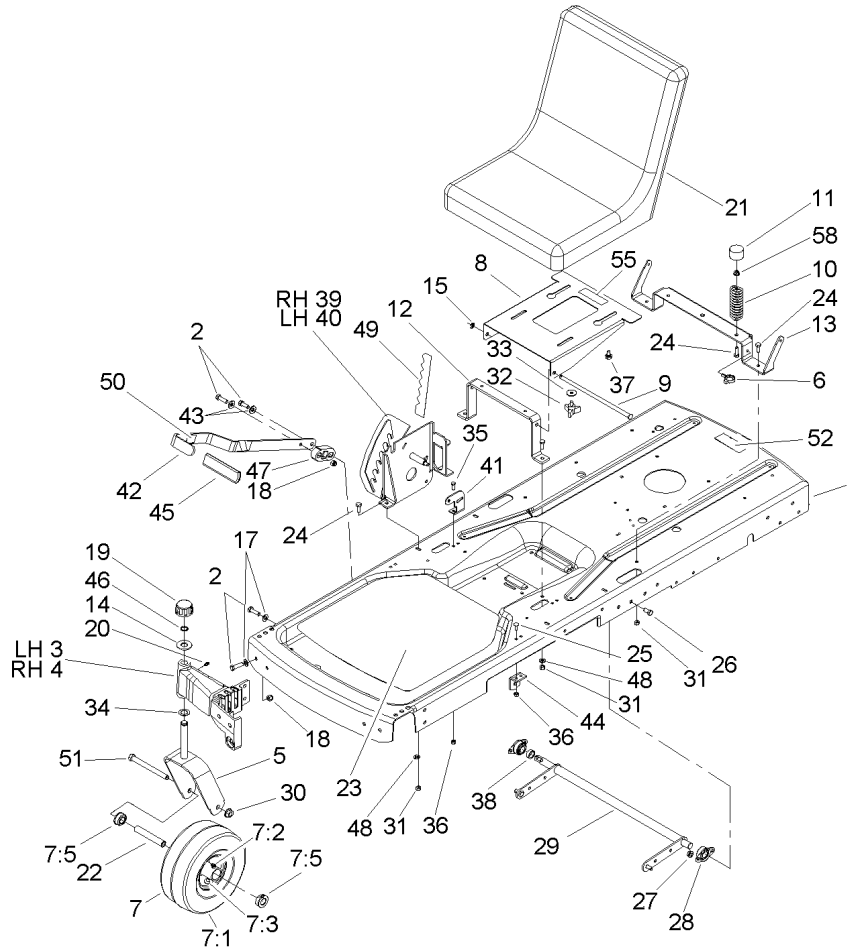
## Part Description Abbreviations

Part descriptions in this catalog may include the following abbreviations.

AR. .... as required	HYD. .... hydraulic
ASM. .... assembly	LH. .... left hand
BBC. .... blade brake clutch	NI. .... nylon insert
CARR. .... carriage	NPTF. .... national pipe thread fine
DEG. .... degrees	PFH. .... phillips flat head
EXT. .... external	PPH. .... phillips pan head
FH. .... flat head	PPHTF. .... phillips pan head thread forming
GA. .... gauge	PRH. .... phillips round head
HD. .... heavy-duty	PTH. .... phillips truss head
HF. .... hex flange	PTO. .... power-take-off
HH. .... hex head	RH. .... right hand
HHF. .... hex head flange	ROPS. .... roll-over protection system
HHFTF. .... hex head flange thread forming	SFH. .... slotted fillister head
HJ. .... hex jam	SHH. .... slotted hex head
HLH. .... hex lag head	SHWH. .... slotted hex washer head
HOC. .... height-of-cut	SPH. .... slotted pan head
HSBH. .... hex socket button head	SQH. .... square head
HSFH. .... hex socket flat head	SRH. .... slotted round head
HSH. .... hex socket head	STD. .... standard
HWH. .... hex washer head	TAP. .... self tapping
HWHTF. .... hex washer head thread forming	TTH. .... torx truss head

## Footnotes

- |                                               |                                                   |
|-----------------------------------------------|---------------------------------------------------|
| ❶ Not illustrated                             | ❷ Not serviced separately                         |
| ❸ Included in Carburetor Kit-Ref. 121         | ❹ Included in Engine Gasket Set-Ref. 358.         |
| ❺ Included in Valve Gasket Set-Ref. 1095.     | ❻ Included in Carburetor Overhaul Kit-Ref. 121.   |
| ❻ Included in Carburetor Gasket Set-Ref. 977. | ❼ Obtain from your local Briggs & Stratton dealer |

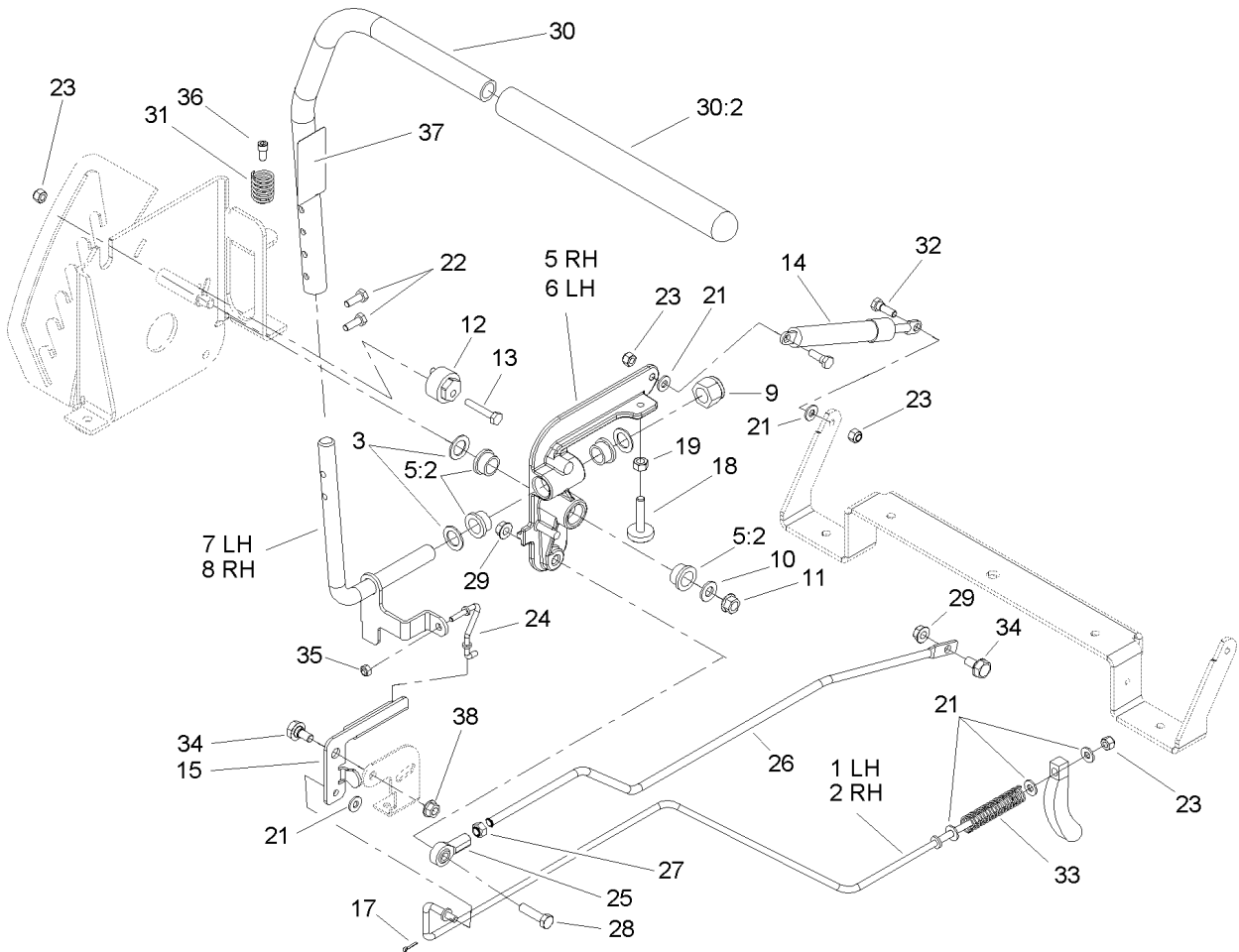


### Frame Assembly

Ref	Part No.	Qty.	Description
1	107-1744-01	1	Frame
2	323-18	10	Screw-HH
3	105-6986-01	1	Caster-LH
4	105-6985-01	1	Castor-RH
5	106-2196-01	2	Caster Fork ASM
6	105-1853	1	Clamp-Hose
7	105-3471	2	Front Wheel And Tire ASM
7:1	105-1943	1	Tire
7:2	302-11	1	Fitting-Lube, 45 DEG
7:3	232-27	1	Stem-Valve
7:5	114-1640	2	Bushing-Flange
7:99	93-4244	1	Tube-Inner (W/Valve)
8	105-6953-03	1	Bracket-Seat
9	105-6955	1	Pin-Pivot
10	92-7054	2	Spring-Compression
11	701178	2	Cap-Protector
12	105-6954-03	1	Brace-Seat, Front
13	106-2210-03	1	Brace-Seat, Rear
14	28-2480	2	Washer
15	105-7004	1	E-Ring
17	3256-24	8	Washer-Flat
18	3296-39	9	Nut-Lock, NI
19	61-9780	2	Cap-Hub
20	302-5	2	Fitting-Grease

Ref	Part No.	Qty.	Description
21	105-6962	1	Seat
22	104-3667	2	Spanner-Wheel
23	105-3460	1	Pad-Antiskid
24	322-4	14	Screw-HH
25	3229-1	4	Screw-CARR
26	323-4	4	Screw-HH
27	3290-357	4	Nut-HHF, Whiz
28	1-633102	2	Bearing-Flange, Side
29	105-3499-03	1	Lift Arm ASM
30	32128-23	2	Nut-HF
31	3296-29	12	Nut-Lock, NI
32	92-9674	2	Knob
33	5-4460	2	Washer-Pivot
34	3-6498	2	Washer-Thrust
35	321-4	4	Screw-HH
36	3296-42	8	Nut-Lock, NI
37	37-8770	2	Bolt-Shoulder
38	106-2222	1	Spacer
39	106-2158-03	1	RH Plate ASM
40	106-2159-03	1	LH Plate ASM
41	106-2180	2	Bracket-Bellcrank
42	105-3435-03	1	Lever-Lift
43	98-5975	2	Washer-Belleville
44	105-3439	2	Bracket-Lift

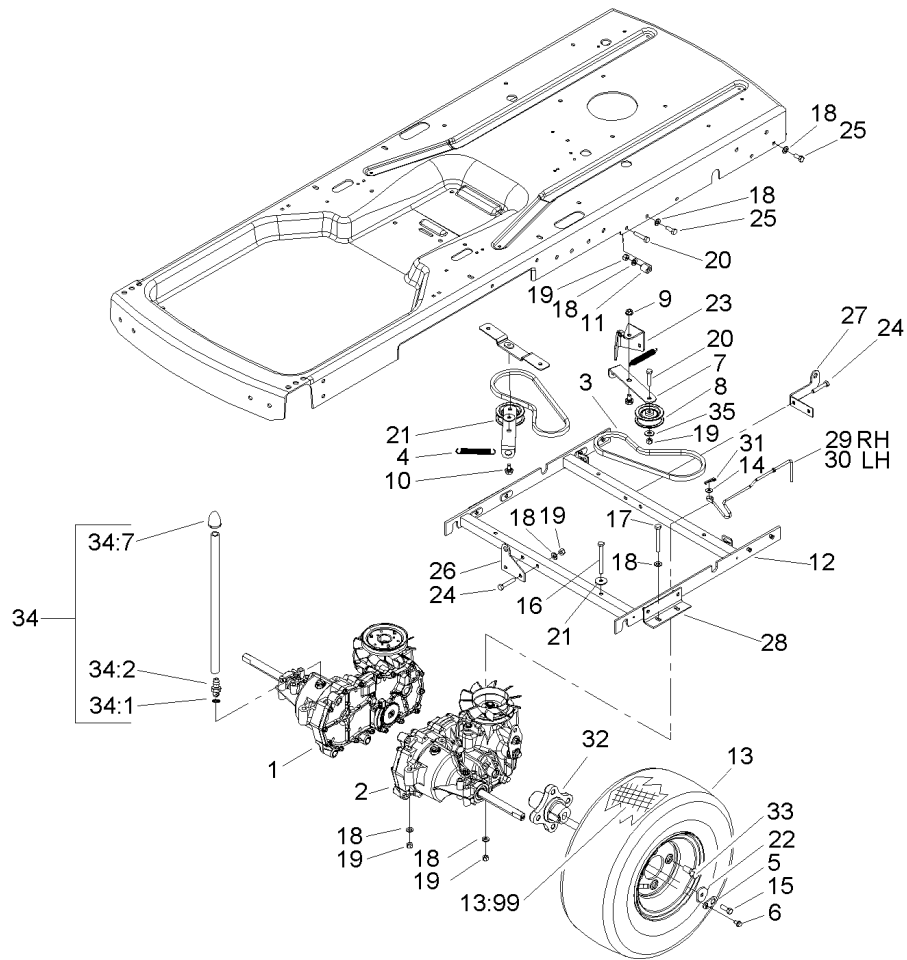




## Control Assembly

Ref	Part No.	Qty.	Description
1	105-7045	1	Rod-Brake, LH
❶2	105-7044	1	Rod-Brake, RH
3	105-3481	6	Washer-Thrust
5	106-8671	1	RH Actuator Arm W/Bushing ASM
5:2	105-3455	4	Bushing
❶6	106-8672	1	LH Actuator Arm W/Bushing ASM
❶6:2	105-3455	4	Bushing
7	105-3488	1	LH Pivot Shaft ASM
❶8	105-3487	1	RH Pivot Shaft ASM
9	3296-53	2	Nut-Lock, NI
10	3256-24	2	Washer-Flat
11	3296-59	2	Nut-Lock, NI
12	105-3485	2	Bushing-Eccentric
13	321-9	2	Screw-HH
14	103-2913	2	Damper-Control, Motion
15	106-2181	2	Bellcrank
17	3272-5	2	Pin-Cotter
18	105-3486	2	Stop-Adjustment
19	3217-6	2	Nut-Hex
21	3256-22	12	Washer-Flat
22	321-4	4	Screw-HH
23	3296-42	8	Nut-Lock, NI
24	106-2179	2	Link-Brake
25	1-543017	2	Balljoint-RH

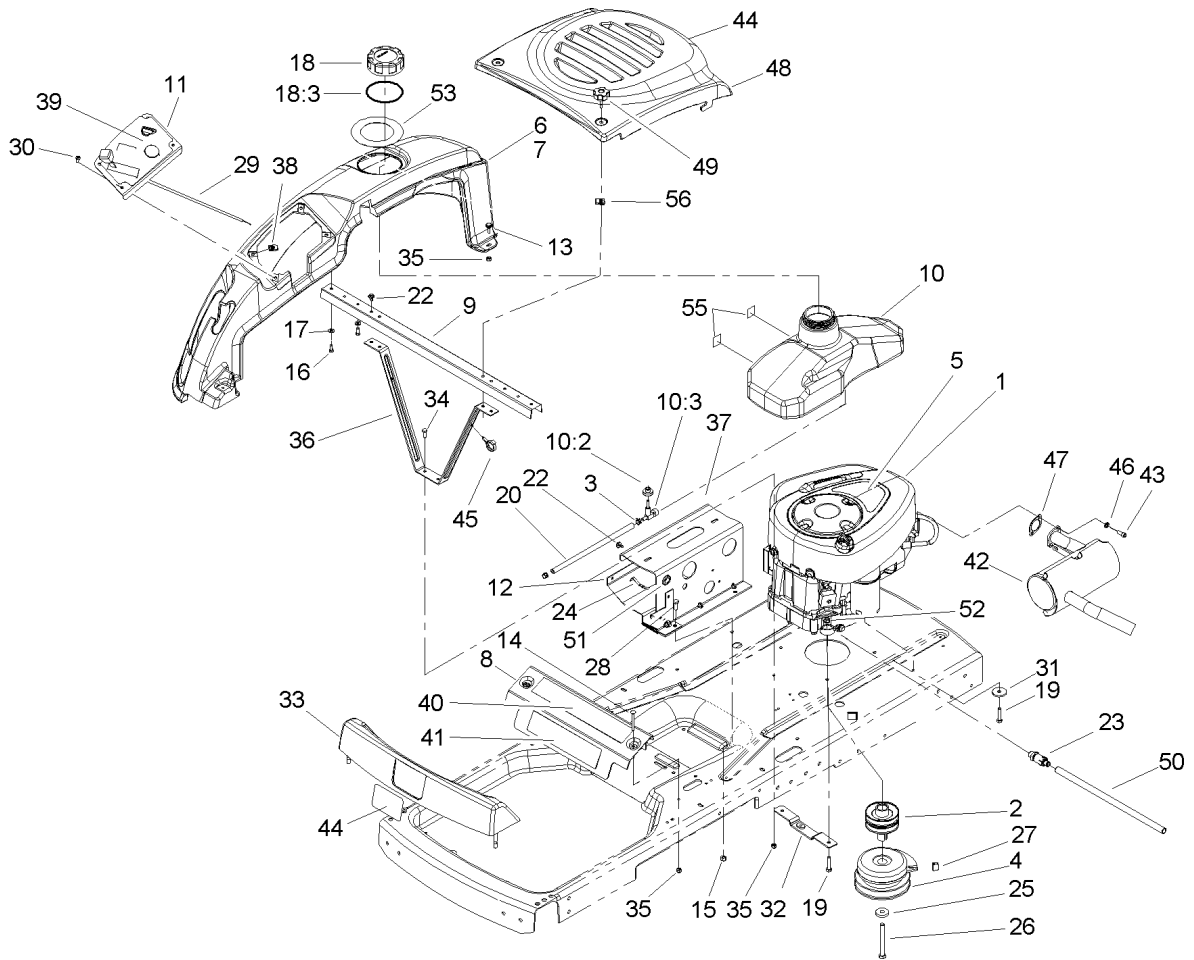
Ref	Part No.	Qty.	Description
26	105-7048	2	Rod-Hydro
27	3219-2	2	Nut-Hex
28	322-6	2	Screw-HH
29	32128-20	4	Nut-HF
30	106-2242	2	Handle ASM
30:2	1-633257	1	Grip-Control, Motion
31	105-3469	2	Spring-Compression
32	106-2214	4	Bolt-Shoulder
33	105-3465	2	Spring-Compression
34	37-8771	4	Bolt-Shoulder
35	3296-2	2	Nut-Lock
36	3274-52	2	Screw-HSH
37	106-8742	2	Decal
38	32128-25	2	Nut-HF



## Hydro and Belt Drive Assembly

Ref	Part No.	Qty.	Description
1	107-2466	1	RH Hydrostat ASM
2	107-2465	1	LH Hydrostat ASM
3	106-2174	2	V-Belt
4	95-3805	2	Spring
5	105-3438	2	Tab-Locking
6	3234-13	2	Screw-HHF
7	105-7047	2	Arm-Idler
8	106-2176	2	Pulley-Idler
9	32128-25	1	Nut-HF
10	37-8770	2	Bolt-Shoulder
11	105-1941	2	Spacer
12	107-2462-03	1	Hydro Mount ASM
13	106-7003	2	Rear Wheel ASM
13:99	107-2491	1	Tube-Tire
14	3256-1	2	Washer-Flat
15	3210-5	2	Screw-HH
16	322-20	4	Screw-HH
17	322-13	4	Screw-HH
18	3256-23	24	Washer-Flat
19	3296-29	16	Nut-Lock, NI
20	322-7	4	Screw-HH
21	5-4460	5	Washer-Pivot
22	106-7001	2	Washer-Wheel
23	107-1734	1	Stop-Clutch

Ref	Part No.	Qty.	Description
24	322-9	4	Screw-HH
25	322-4	8	Screw-HH
26	105-7049	1	Bracket-Spring
27	105-7046	1	Bracket-Spring
28	105-7039-03	2	Support-Hydro
29	107-2463	1	Arm-Bypass, LH
30	107-2464	1	Arm-Bypass, RH
31	1-806003	2	Pin-Hair
32	106-6987-03	2	Hub-Machined
33	71-4450	8	Bolt-Lug
34	106-7002	2	Vent Hose ASM
●34:1	93-3816	1	O-Ring
●34:2	93-3814	1	Fitting-Hose
●34:7	107-1701	1	Cap Vent ASM
35	3256-3	2	Washer-Flat

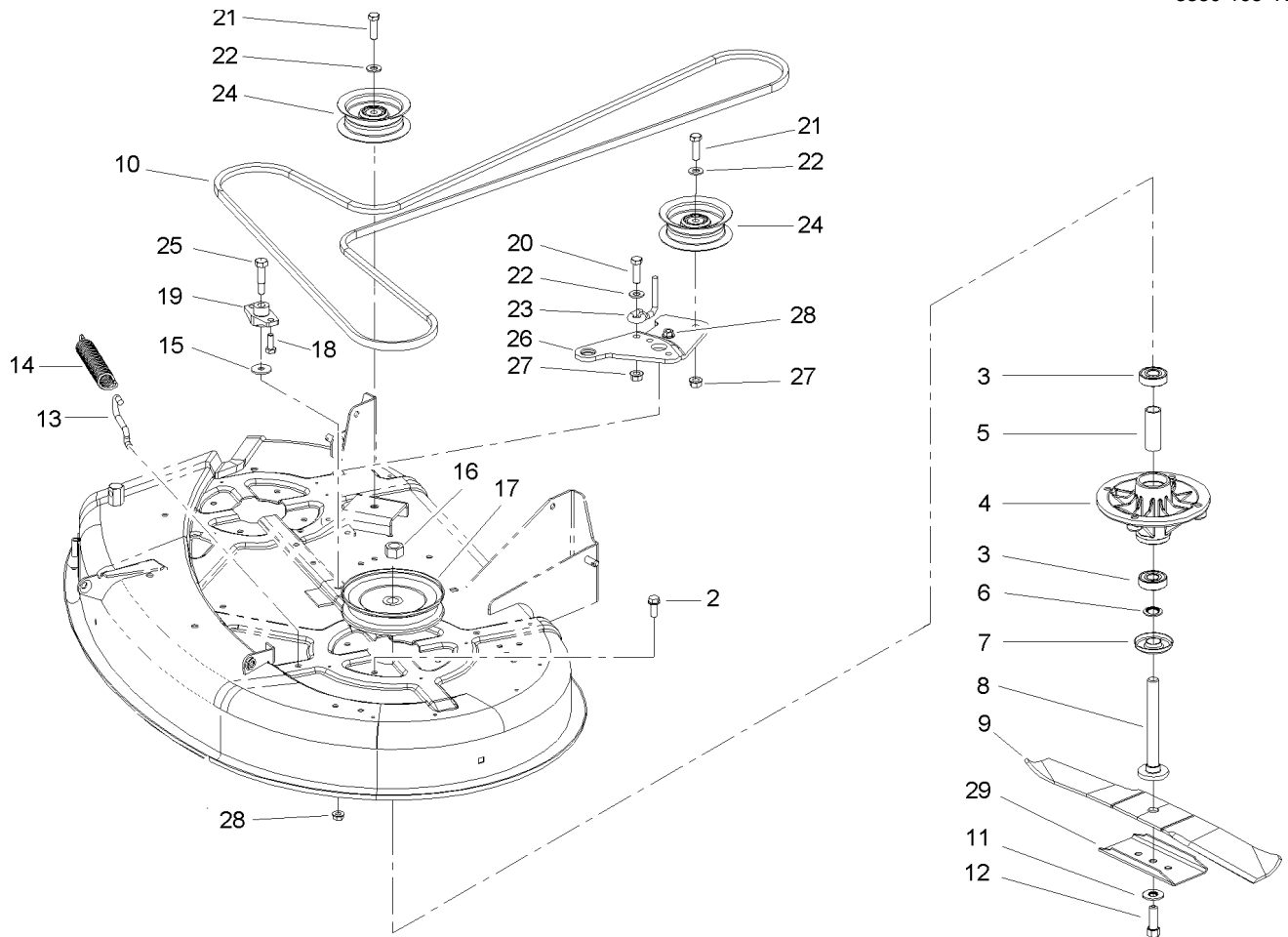


## Engine Assembly

Ref	Part No.	Qty.	Description
1		1	Engine-Briggs And Stratton, 280H07-0166-E1
2	105-3472	1	Pulley-Engine
3	2412-98	2	Clamp
4	105-3462	1	Clutch-Electric
5	106-2187	1	Decal-Engine, 14 Hp
6	106-2161	1	Cover-Side, RH
7	106-2162	1	Cover-Side, LH
8	106-2164-03	1	Bracket-Support, Front
9	106-2165-03	1	Bracket-Support, Rear
10	105-3464	1	Gas Tank ASM
10:2	46-6560	1	Bushing
10:3	104048	1	Valve-Fuel
11	106-2167-03	1	Panel-Control
12	105-3453-03	1	Plate-Support
13	11-9030	2	Screw-Shoulder
14	3229-7	2	Screw-CARR
15	3296-29	2	Nut-Lock, NI
16	46-8090	4	Screw-Plastite
17	3256-22	4	Washer-Flat
18	88-3980	1	Gas Cap ASM
18:3	88-4010	1	Gasket-Cap, Gas
19	322-7	4	Screw-HH
20	106-8720	1	Hose-Fuel

Ref	Part No.	Qty.	Description
22	46-8560	7	Screw-HHF
23	92-6877	1	Valve-Drain, Oil
24	609830	2	Spring
25	112843	1	Washer
26	3212-16	1	Screw-HH
27	98-5023	1	Bumper
28	322-4	2	Screw-HH
29	104-3626	1	Cable-Throttle
30	3258-166	4	Screw-PRH
31	62-7190	2	Spacer-Steel
32	106-2156	1	Plate-Mount, Idler
33	105-6965	1	Footrest ASM
34	321-4	2	Screw-HH
35	3296-42	6	Nut-Lock, NI
36	106-6994-03	1	Brace ASM
37	107-2485-03	1	Plate-Tank
38	107069	4	Clip
39	106-2224	1	Decal-Control
40	107-2483	1	Decal-Danger
41	106-6990	1	Decal-14-38Z
42	106-7007	1	Muffler
43	3274-10	2	Screw-HSH
44	105-6971	2	Decal
45	105-1853	2	Clamp-Hose

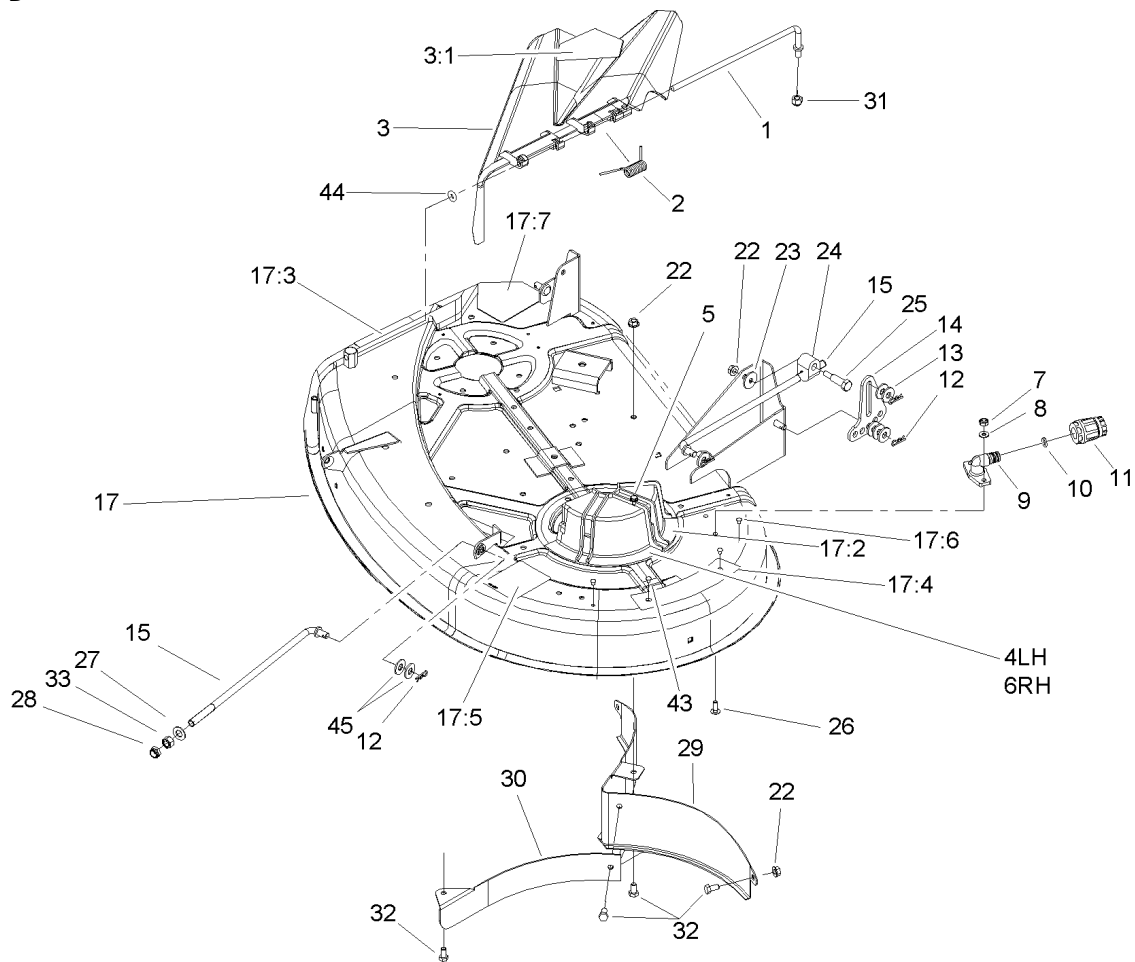




## 38in Deck and Spindle and Belt Drive Assembly

Ref	Part No.	Qty.	Description
2	32144-41	8	Screw-Taptite
3	100-1048	4	Bearing-Ball
4	88-4510	2	Housing-Spindle
5	62-3661	2	Spacer-Bearing
6	80-4380	2	Spacer
7	80-4360	2	Shield-Bearing
8	80-4341	2	Shaft
9	88-5140-03	2	Blade
10	106-6998	1	V-Belt
11	3290-465	2	Washer-Belleville
12	26-0671	2	Screw-Blade
13	88-5970	1	Hook-Return, Spring
14	106-2177	1	Spring-Extension
15	5-4460	1	Washer-Pivot
16	3219-6	2	Nut-Hex
17	88-5330	2	Pully-Deck
18	322-4	2	Screw-HH
19	88-4980	1	Bushing-Arm, Idler
20	323-7	1	Screw-HH
21	323-9	2	Screw-HH
22	3256-24	3	Washer-Flat
23	107-7307	1	Guide-Idler, Belt
24	106-2175	2	Pulley-Idler, Flat
25	7-0030	1	Bolt-Shoulder

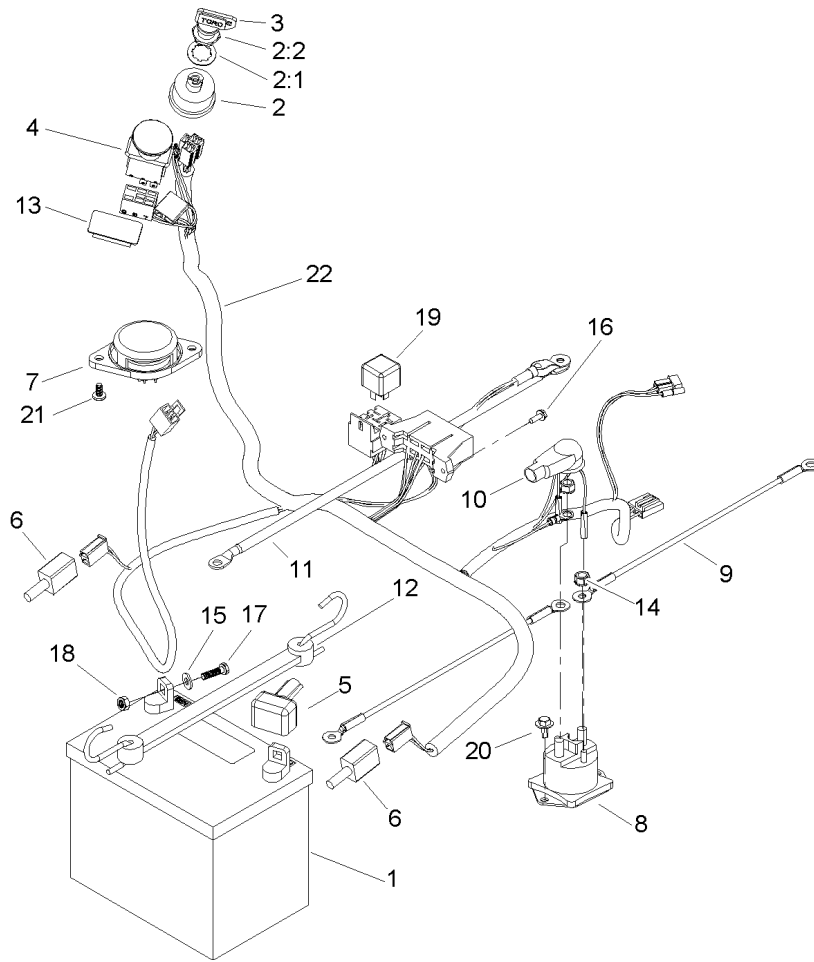
Ref	Part No.	Qty.	Description
26	107-2467-03	1	Arm-Idler
27	32128-21	2	Nut-HF
28	32128-25	3	Nut-HF
29	80-0510-03	2	Stiffener-Blade



### 38in Deck Assembly

Ref	Part No.	Qty.	Description
1	95-1661	1	Rod-Pivot
2	57-6950	1	Spring
3	93-0317	1	Deflector ASM
3:1	93-1122	1	Decal-Danger
4	88-4030	1	Guide-Belt, Deck (LH)
5	32104-76	5	Screw
6	88-4020	1	Guide-Belt, Deck (RH)
7	3296-16	2	Nut-Lock, NI
8	3256-1	2	Washer-Flat
9	95-2747	1	Fitting-Washout
10	46-6290	1	O-Ring
11	95-3270	1	Connector-Hose
12	9335054	8	Pin-Hair
13	80-6990	10	Washer-Hardened
14	88-5570-03	2	Link-Adjusting, HOC
15	105-3437	4	Rod-Hanger
17	106-8730	1	38In Deck ASM
17:2	68-3660	1	Decal-Danger, Shield
17:3	68-3650	1	Decal-Danger, Deflector
17:4	79-3140	1	Decal-Danger
17:5	105-7015	1	Decal-Routing, Belt
17:6	3290-282	4	Rivet-Pop
17:7	93-1122	1	Decal-Danger
22	32128-25	9	Nut-HF

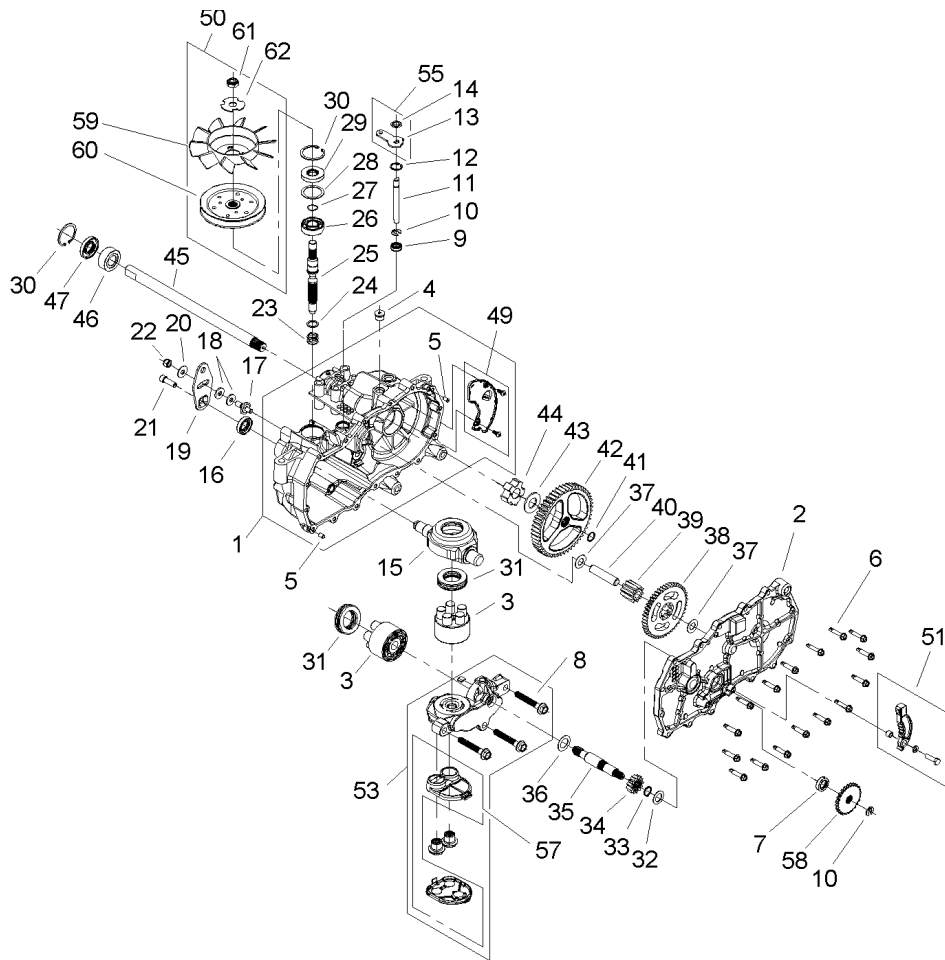
Ref	Part No.	Qty.	Description
23	5-4460	2	Washer-Pivot
24	88-4230	2	Trunnion-HOC
25	7-0030	2	Bolt-Shoulder
26	3229-1	2	Screw-CARR
27	3256-25	2	Washer-Flat
28	3296-38	2	Nut-Lock, NI
29	106-7030-03	1	Baffle-Rear
30	106-7032-03	1	Extension-Baffle
31	3296-39	1	Nut-Lock, NI
32	322-2	7	Screw-HH
33	3219-4	2	Nut-Hex
43	3290-282	4	Rivet-Pop
44	106-8745	1	O-Ring
45	3256-4	8	Washer-Flat



## Electrical System Assembly

Ref	Part No.	Qty.	Description
1	104-2491	1	Battery-Dry
2	88-9830	1	Key Switch ASM
2:1	3254-5	1	Washer-Tooth
2:2	218-461	1	Nut-HH
3	63-8360	1	Key-Ignition
4	95-7489	1	Switch-PTO
5	28-8080	1	Boot-Terminal
6	106-2216	2	Switch
7	105-6959	1	Switch-Seat
8	106-8245	1	Solenoid
9	56-7670	2	Wire ASM
10	93-3190	1	Boot-Insulator, Terminal
11	95-7654	1	Cable
12	104-2466	1	Holddown-Battery
13	99-7420	1	Plug-Hole
14	32149-2	2	Nut-Keps
15	3256-22	2	Washer-Flat
16	32144-1	3	Screw-Taptite
17	321-4	2	Screw-HH
18	32128-33	3	Nut-HF
19	98-7249	1	Relay
20	46-8560	2	Screw-HHF
21	105-6968	2	Screw-Seat, Switch
22	107-2500	1	Harness-Wire, 9 Amp

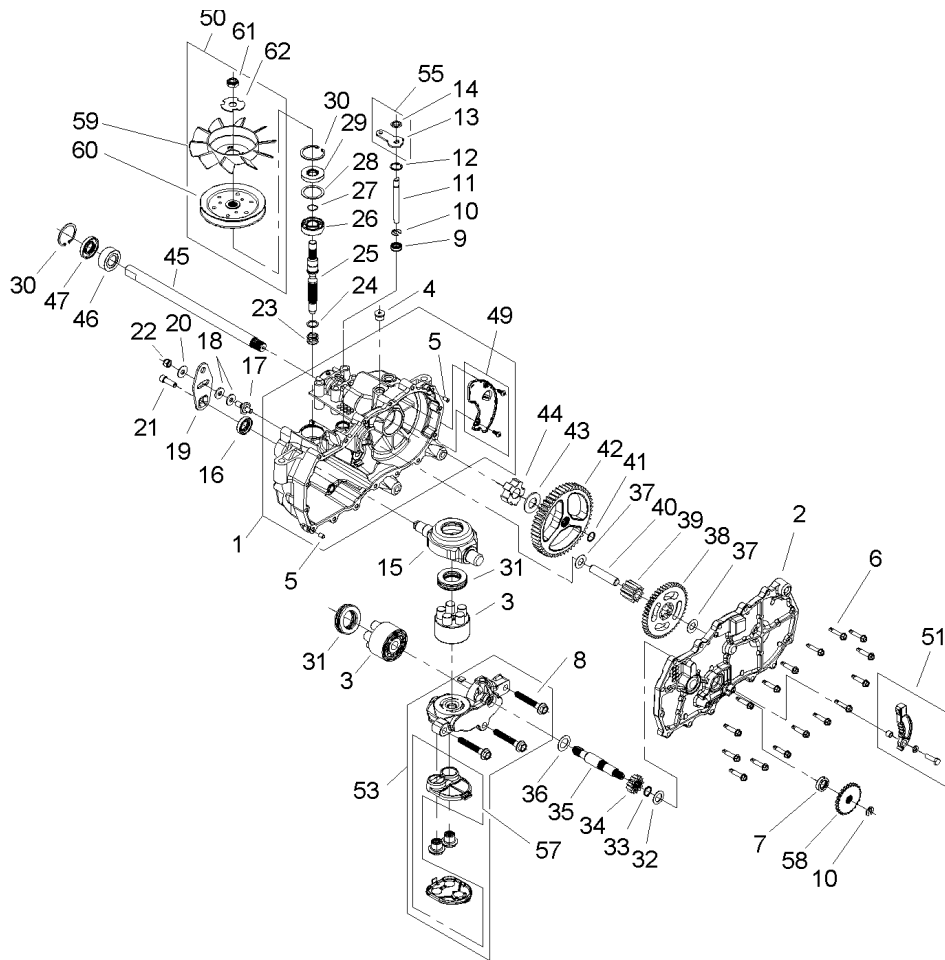
--	--	--	--



## LH Hydrostat Assembly Part No. 107-2465

Ref	Part No.	Qty.	Description
1	106-8695	1	RH Main Housing ASM
2	106-8696	1	RH Side ASM
3	104-2106	2	Cylinder Block ASM
4	104-2189	1	Plug-Thread, Straight
5	9004800-2506	2	Pin-Hydrogear
6	104-5305	16	Screw-HHF
7	104-5347	1	Seal-Oil
8	94-6926	3	Bolt
9	106-8676	1	Seal-Lip
10	106-8677	2	Ring-Retaining, EXT
11	106-8678	1	Rod-Bypass
12	106-8679	1	Ring-Retaining, Int
13	107-2490	1	Arm-Bypass
14	106-8681	1	Ring-Retaining, EXT
15	104-5304	1	Swashplate-Trunnion
16	104-5313	1	Seal-Lip
17	104-2116	1	Stud
18	105-1873	2	Puck-Friction
19	106-8747	1	Arm-Control
20	5-4460	1	Washer-Pivot
21	107-2488	1	Screw
22	105-1872	1	Nut
23	94-1936	1	Spring-Block

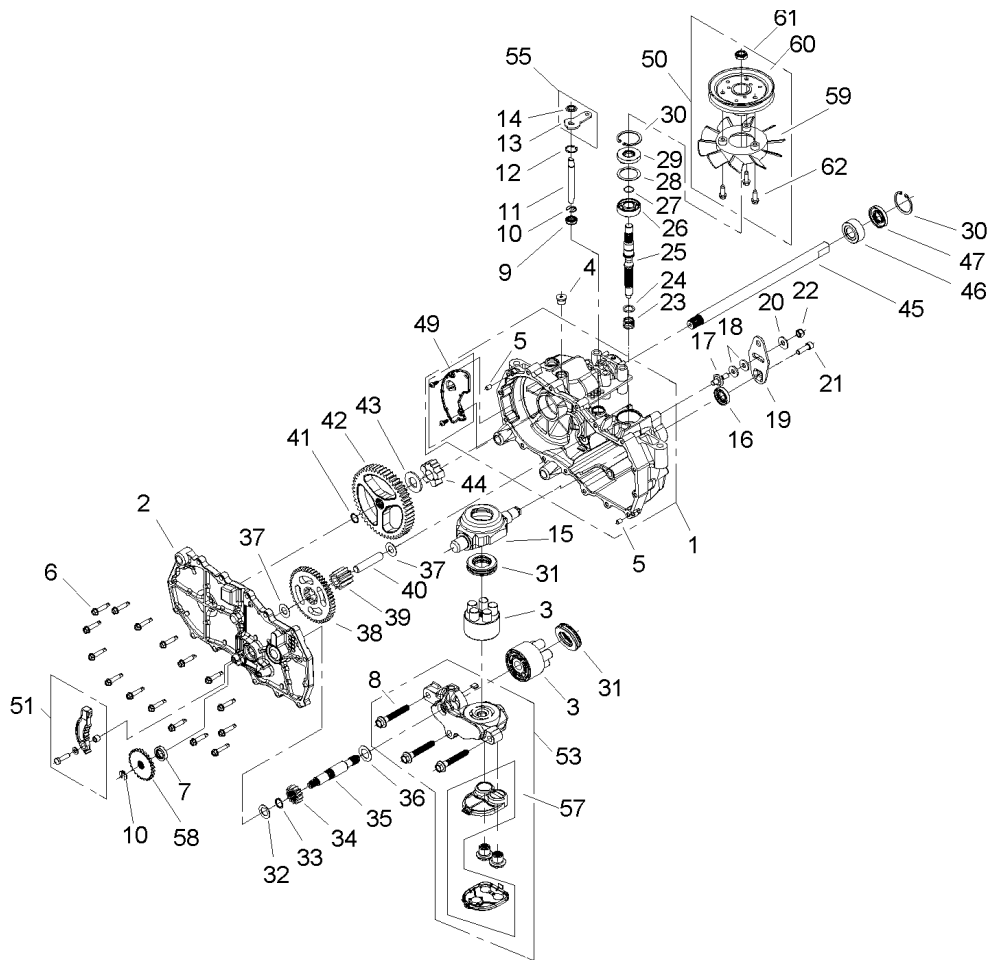
Ref	Part No.	Qty.	Description
24	94-1937	1	Washer-Block, Thrust
25	104-5306	1	Shaft-Input
26	104-5311	1	Bearing-Ball
27	104-5307	1	Ring-Retaining
28	104-5308	1	Spacer
29	104-5310	1	Seal-Lip
30	104-5309	2	Ring-Retaining
31	94-6922	2	Bearing-Thrust
32	104-5339	1	Washer-Flat
33	104-5340	1	Ring-Retaining
34	104-5316	1	Gear-Pinnion, 13T
35	106-8683	1	Shaft-Motor
36	104-5360	1	Washer-Shaft, Motor
37	94-1933	2	Washer
38	104-5317	1	Gear
39	104-5318	1	Gear-Jackshaft, 10T
40	104-5329	1	Pin-Jackshaft
41	104-5328	1	Ring-Retaining, Spiral
42	106-8684	1	Gear-Bull, 52T
43	94-1943	1	Washer
44	104-5320	1	Bearing-Sleeve
45	106-8685	1	Axle
46	104-5321	1	Bearing-Sleeve, Outboard
47	104-5322	1	Seal-Lip



### LH Hydrostat Assembly Part No. 107-2465 (continued)

Ref	Part No.	Qty.	Description
●48	106-8686	1	Seal Kit
49	106-8697	1	RH Expansion Plate Kit
50	106-8698	1	Fan Pulley Kit
51	106-8688	1	Brake Arm Kit
53	106-8699	1	RH Center Section Filter Kit
●54	104-2147	1	Sealant
55	107-2489	1	Bypass Arm Kit
57	106-8693	1	Filter Kit
58	106-8694	1	Disc-Brake, Cog
59	110-8566	1	Fan-6 Inch, 10 Blade
60	104-1754	1	Pulley
61	105-1875	1	Nut-Lock
62	107-9122	3	Washer-Slotted

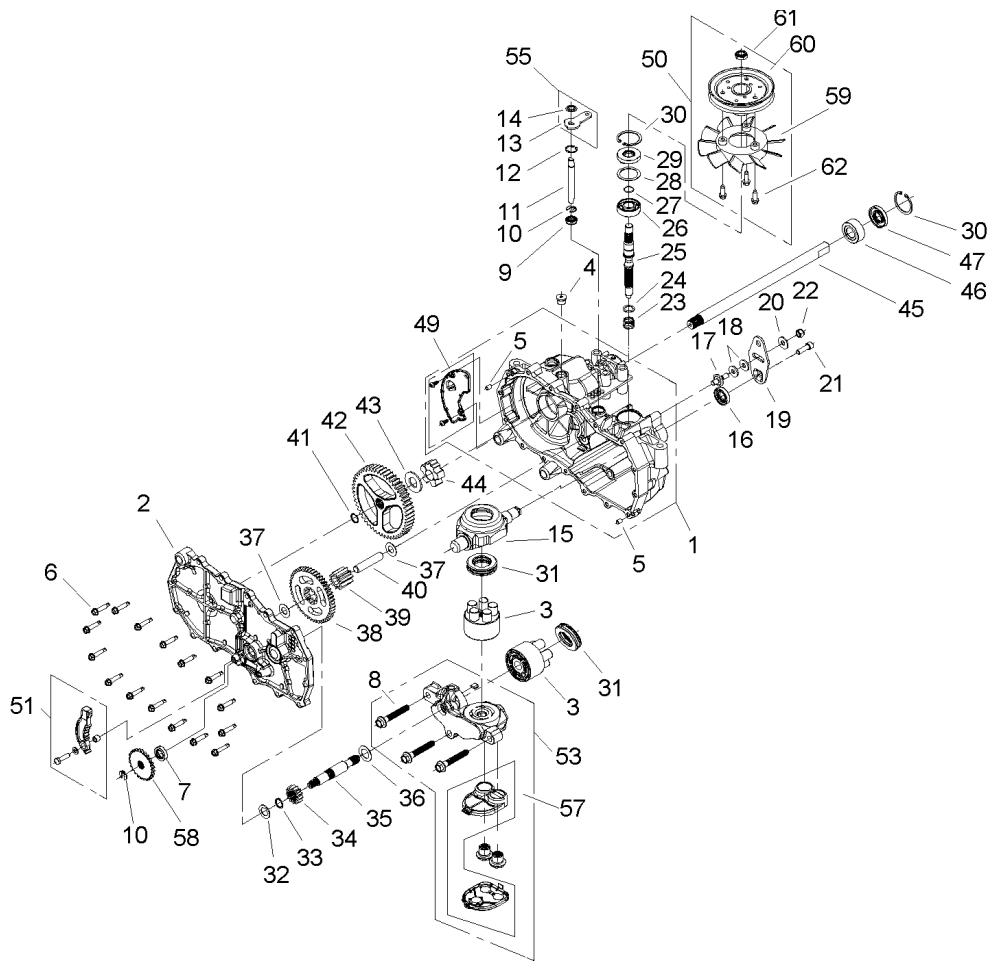
--	--	--	--



## RH Hydrostat Assembly Part No. 107-2466

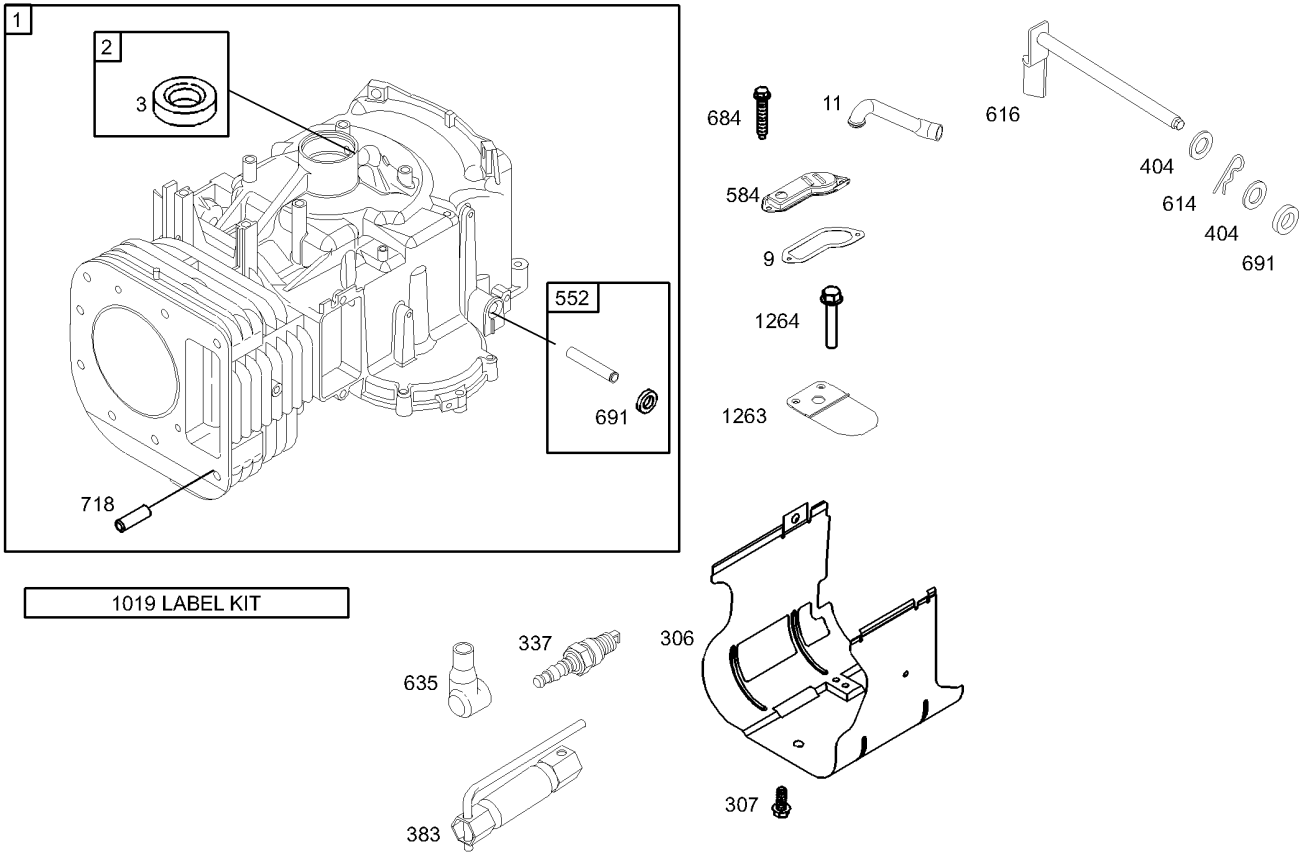
Ref	Part No.	Qty.	Description
1	106-8674	1	LH Main Housing ASM
2	106-8675	1	LH Side ASM
3	104-2106	2	Cylinder Block ASM
4	104-2189	1	Plug-Thread, Straight
5	9004800-2506	2	Pin-Hydrogear
6	104-5305	16	Screw-HHF
7	104-5347	1	Seal-Oil
8	94-6926	3	Bolt
9	106-8676	1	Seal-Lip
10	106-8677	2	Ring-Retaining, EXT
11	106-8678	1	Rod-Bypass
12	106-8679	1	Ring-Retaining, Int
13	107-2490	1	Arm-Bypass
14	106-8681	1	Ring-Retaining, EXT
15	104-5304	1	Swashplate-Trunnion
16	104-5313	1	Seal-Lip
17	104-2116	1	Stud
18	105-1873	2	Puck-Friction
19	106-8747	1	Arm-Control
20	5-4460	1	Washer-Pivot
21	107-2488	1	Screw
22	105-1872	1	Nut
23	94-1936	1	Spring-Block

Ref	Part No.	Qty.	Description
24	94-1937	1	Washer-Block, Thrust
25	104-5306	1	Shaft-Input
26	104-5311	1	Bearing-Ball
27	104-5307	1	Ring-Retaining
28	104-5308	1	Spacer
29	104-5310	1	Seal-Lip
30	104-5309	2	Ring-Retaining
31	94-6922	2	Bearing-Thrust
32	104-5339	1	Washer-Flat
33	104-5340	1	Ring-Retaining
34	104-5316	1	Gear-Pinnion, 13T
35	106-8683	1	Shaft-Motor
36	104-5360	1	Washer-Shaft, Motor
37	94-1933	2	Washer
38	104-5317	1	Gear
39	104-5318	1	Gear-Jackshaft, 10T
40	104-5329	1	Pin-Jackshaft
41	104-5328	1	Ring-Retaining, Spiral
42	106-8684	1	Gear-Bull, 52T
43	94-1943	1	Washer
44	104-5320	1	Bearing-Sleeve
45	106-8685	1	Axle
46	104-5321	1	Bearing-Sleeve, Outboard
47	104-5322	1	Seal-Lip



## RH Hydrostat Assembly Part No. 107-2466 (continued)

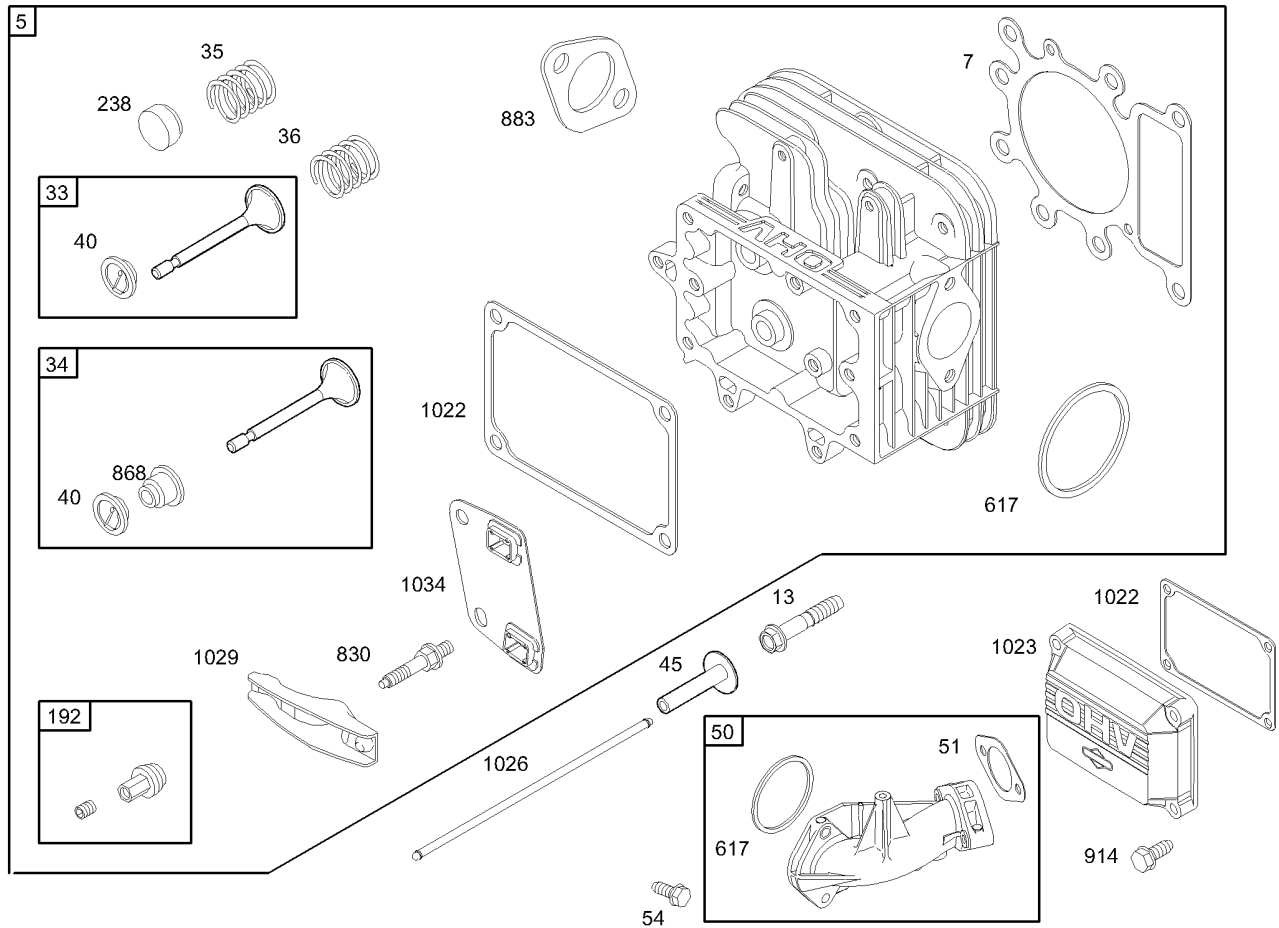
Ref	Part No.	Qty.	Description			
●48	106-8686	1	Seal Kit			
49	106-8687	1	LH Expansion Plate Kit			
50	105-1928	1	Fan Pulley Kit			
51	106-8688	1	Brake Arm Kit			
53	106-8690	1	LH Center Section Filter Kit			
●54	104-2147	1	Sealant			
55	107-2489	1	Bypass Arm Kit			
57	106-8693	1	Filter Kit			
58	106-8694	1	Disc-Brake, Cog			
59	105-1927	1	Fan			
60	105-1896	1	Pulley			
61	105-1875	1	Nut-Lock			
62	104-2120	3	Screw			



Assemblies include all parts shown in frames.

## Cylinder Assembly Briggs and Stratton 280H07-0166-E1

Ref	Part No.	Qty.	Description
1	697132	1	Cylinder ASM
2	399265	1	Bushing And Seal Kit
3	391086	1	Seal-Oil
9	697109	1	Gasket-Breather
11	697113	1	Tube-Breather
48	697761	1	Short Block
306	697107	1	Shield-Cylinder
307	691003	1	Screw
337	691043	1	Spark Plug
383	89838	1	Wrench-Plug, Spark
404	691691	1	Washer
552	697144	1	Bushing-Crank, Governor
584	697112	1	Cover-Passage, Breather
614	691620	1	Pin-Cotter
616	692012	1	Crank-Governor
635	691909	1	Boot-Spark Plug
684	697157	1	Screw
691	692407	1	Seal-Shaft, Governor
718	690959	1	Pin-Locating
1019	697143	1	Label Kit
1263	697124	1	Reed-Breather
1264	697104	1	Screw

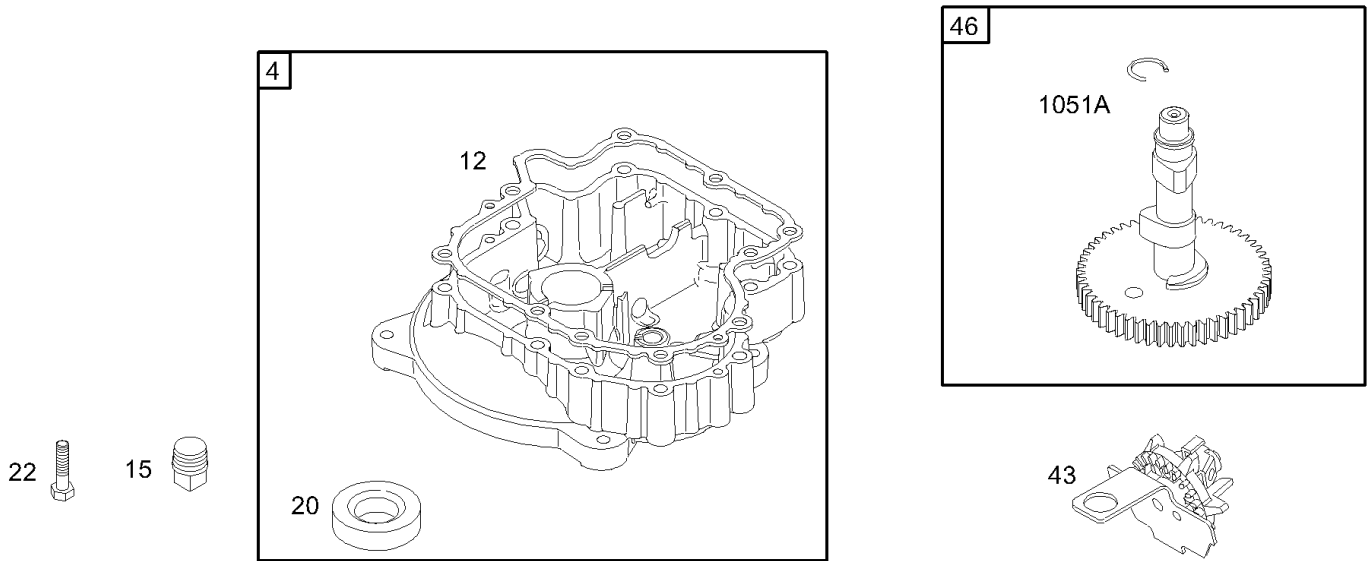



## Cylinder Head Assembly Briggs and Stratton 280H07-0166-E1

Ref	Part No.	Qty.	Description
5	698148	1	Head-Cylinder
4 7	273280	1	Gasket-Head, Cylinder
13	690360	1	Screw
33	695760	1	Valve-Exhaust
34	695761	1	Valve-Intake
35	691279	1	Spring-Valve
36	691279	1	Spring-Valve
40	691752	1	Retainer-Valve
45	690564	1	Tappet-Valve
50	690193	1	Manifold-Intake
4 5 51	692137	1	Gasket-Intake
6 7			
54	691148	1	Screw
192	691986	1	Adjustor-Arm, Rocker
238	691843	1	Cap-Valve
4 6 617	692138	1	Seal-O Ring
830	691095	1	Stud-Arm, Rocker
4 5 868	690968	1	Seal-Valve
883	692236	1	Gasket-Exhaust
914	690960	1	Screw
4 1022	272475	1	Gasket-Cover, Rocker
1023	692492	1	Cover-Rocker
1026	692003	1	Rod-Push
	692011	1	Rod-Push

Ref	Part No.	Qty.	Description
1029	691751	1	Arm-Rocker
1034	690822	1	Guide-Rod, Push

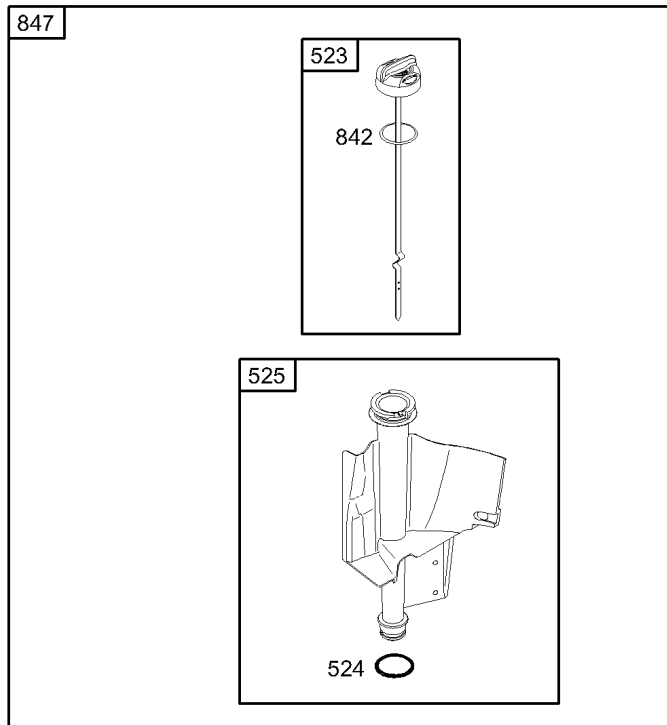




Assemblies include all parts shown in frames.

## Crankcase Assembly Briggs and Stratton 280H07-0166-E1

Ref	Part No.	Qty.	Description
4	697106	1	Sump-Engine
④ 12	697110	1	Gasket-Crankcase
15	690946	1	Plug-Drain, Oil
④ 20	690947	1	Seal-Oil
22	692125	1	Screw
43	691968	1	Slinger-Governor,Oil
46	698577	1	Camshaft
1051A	698802	1	Ring-Retaining

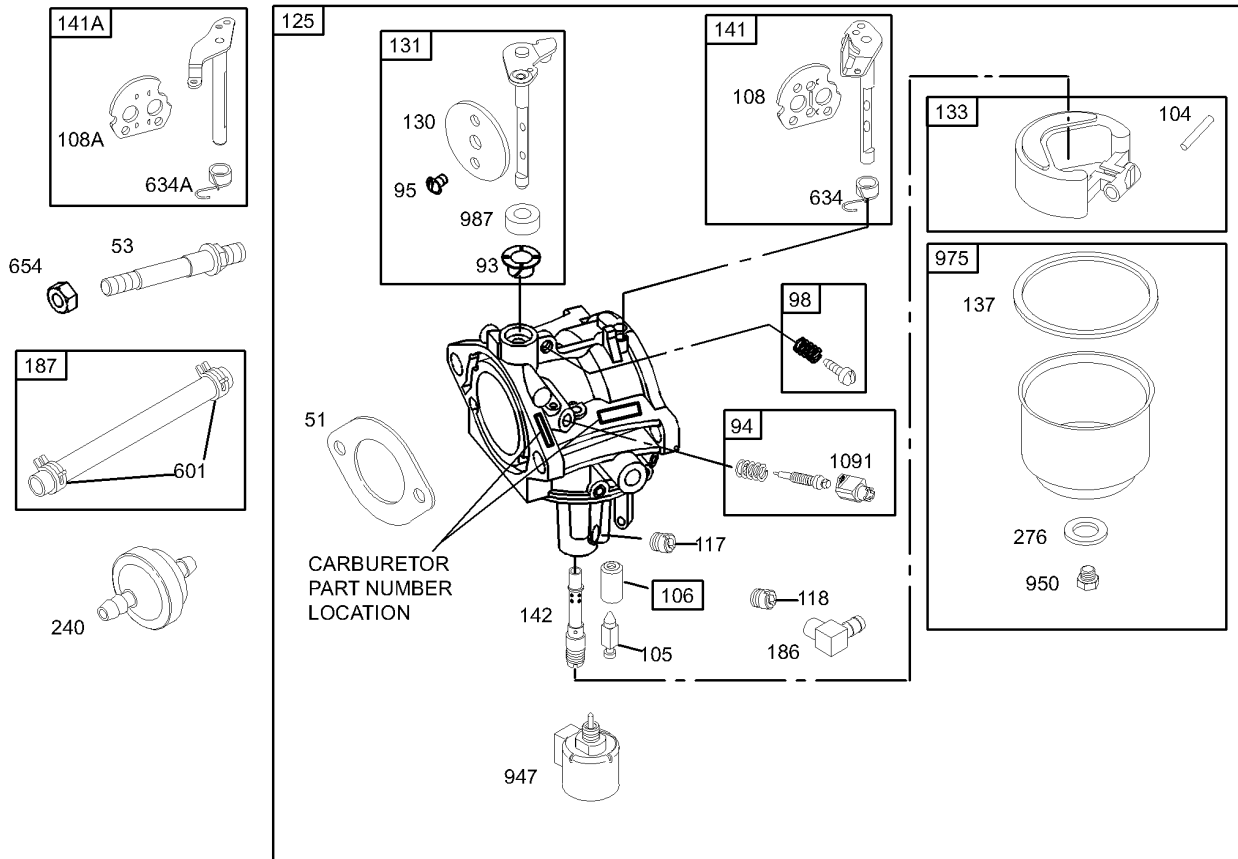


Assemblies include all parts shown in frames.

## Oil Filter, Tube and Pump Assembly Briggs and Stratton 280H07-0166-E1

Ref	Part No.	Qty.	Description
523	697086	1	Dipstick
④524	691032	1	Seal, O-Ring
525	697184	1	Tube-Dipstick
④842	691031	1	Seal-O Ring
847	697611	1	Dipstick And Tube ASM

Ref	Part No.	Qty.	Description

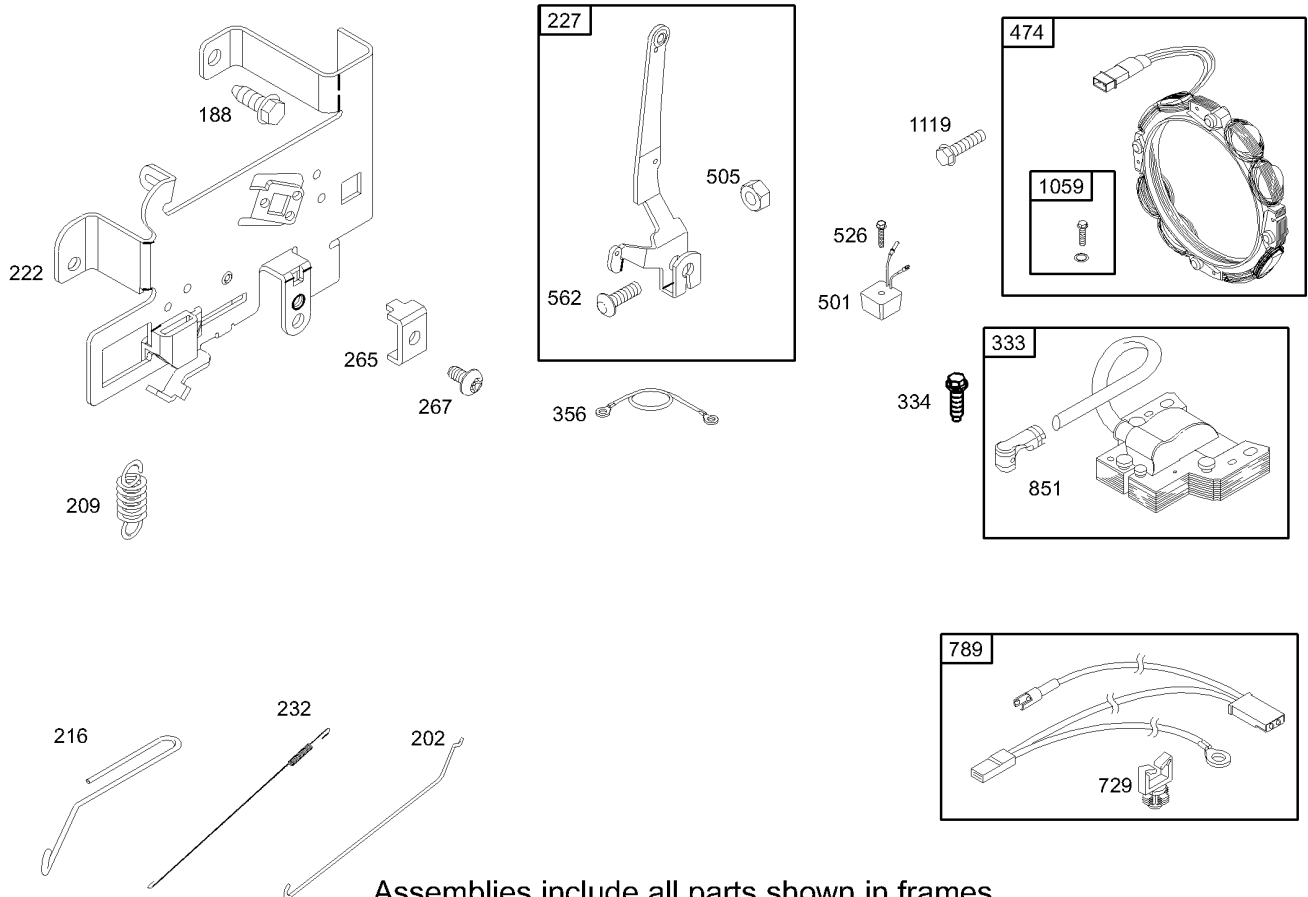


Assemblies include all parts shown in frames.

## Carburetor Assembly Briggs and Stratton 280H07-0166-E1

Ref	Part No.	Qty.	Description
④ ⑤ 51	692137	1	Gasket-Intake
⑥ ⑦			
53	690227	1	Stud
⑥ 93	690602	1	Bushing-Shaft, Throttle
94	498030	1	Idle Mixture Kit
⑥ 95	691636	1	Screw
98	495800	1	Idle Speed Kit
⑥ 104	690525	1	Pin-Hinge, Carburetor Float
⑥ 105	231855	1	Valve-Needle, Float
⑥ 106	690577	1	Seat-Inlet
108	690464	1	Valve-Choke
108A	692344	1	Valve-Choke
⑥ 117	694352	1	Jet-Main (STD)
118	697228	1	Jet-Main (High Altitude)
125	697190	1	Carburetor
130	691750	1	Valve-Throttle
131	494379	1	Throttle Shaft Kit
133	494381	1	Float-Carburetor
⑥ ⑦ 137	281165	1	Gasket-Bowl, Float
141	495097	1	Choke Shaft Kit
141A	495931	1	Choke Shaft Kit
⑥ 142	697140	1	Nozzle-Carburetor
186	692317	1	Connector-Hose
187	697098	1	Line-Fuel

Ref	Part No.	Qty.	Description
240	394358	1	Filter-Fuel
⑥ ⑦ 276	692255	1	Washer-Sealing
601	95162	1	Clamp-Hose
⑥ 634	690801	1	Spring / Seal ASM
⑥ 634A	690802	1	Spring And Seal ASM
654	690958	1	Nut
947	694393	1	Solenoid-Fuel
950	691657	1	Screw
975	495933	1	Bowl-Float
⑥ 987	691326	1	Seal-Shaft, Throttle
1091	691333	1	Cap-Limiter

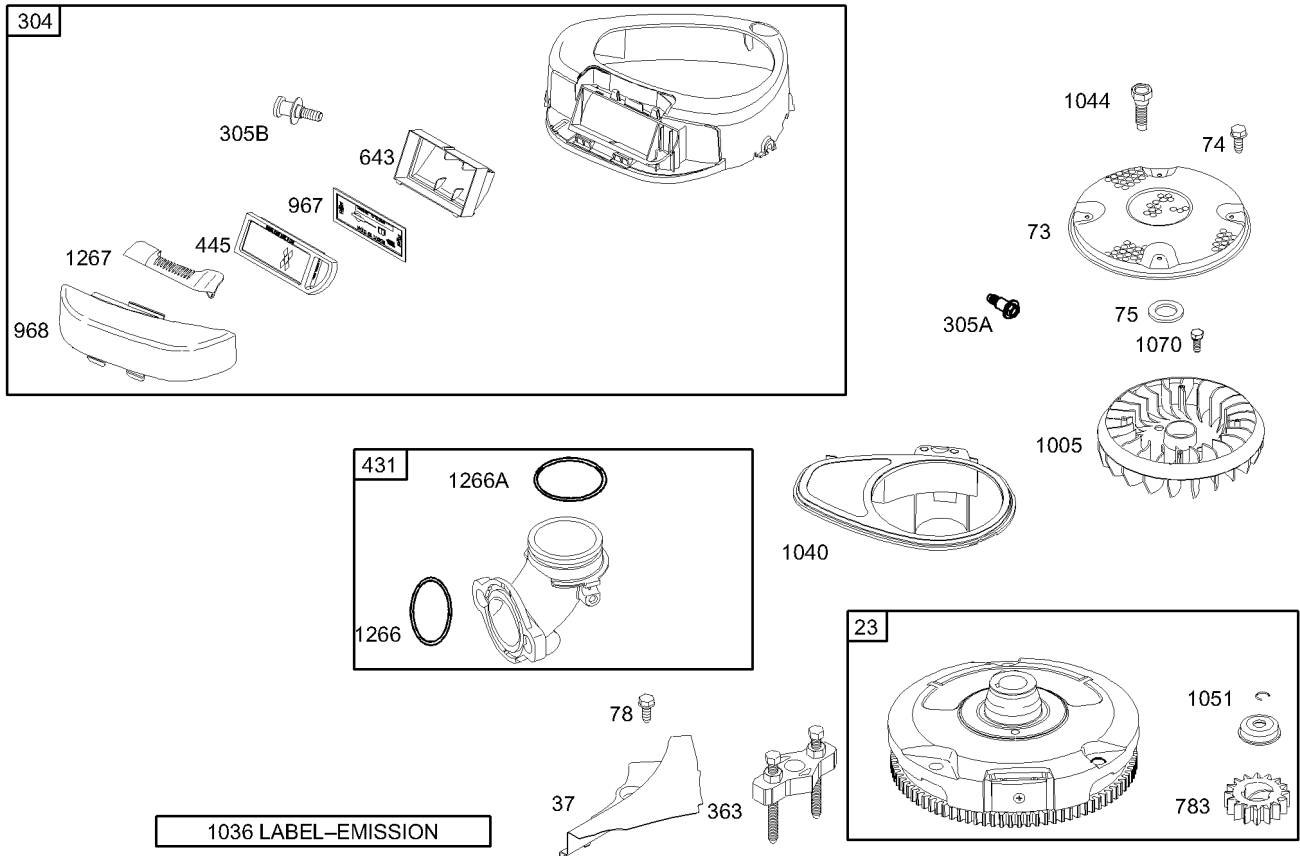


Assemblies include all parts shown in frames.

## Governor Assembly Briggs and Stratton 280H07-0166-E1

Ref	Part No.	Qty.	Description
188	691693	1	Screw
202	691841	1	Link-Governor, Mechanical
209	692208	1	Spring-Governor
216	691840	1	Link-Choke
222	694042	1	Bracket-Control
227	691374	1	Lever-Control, Governor
232	691842	1	Spring-Link, Governor
265	691024	1	Clamp-Casing
267	695134	1	Screw
333	492341	1	Armature-Magneto
334	691061	1	Screw
356	697089	1	Stop-Wire
474	696457	1	Alternator
	696458	1	Alternator
501	691188	1	Regulator
501	691185	1	Regulator
505	691251	1	Nut
526	697088	1	Screw
	697348	1	Screw
562	691119	1	Screw
729	691335	1	Clip-Wire
789	692037	1	Wiring-Harness
851	692424	1	Terminal-Spark Plug
1059	698516	1	Screw And Washer Kit

Ref	Part No.	Qty.	Description
1119	691183	1	Screw



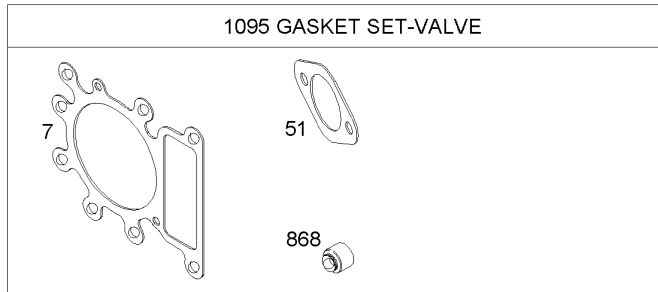
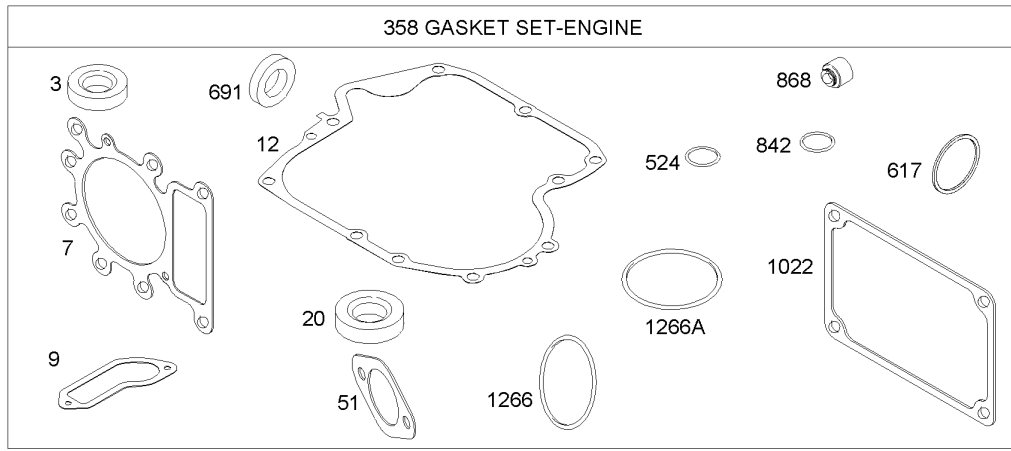
Assemblies include all parts shown in frames.

## Blower Housing Assembly Briggs and Stratton 280H07-0166-E1

Ref	Part No.	Qty.	Description
23	693556	1	Flywheel
37	697352	1	Guard-Flywheel
73	697384	1	Screen-Rotating
74	697897	1	Screw
75	690582	1	Washer-Flywheel
78	691003	1	Screw
304	698599	1	Housing-Blower
305	697102	1	Screw
305A	697103	1	Screw
363	19203	1	Puller-Flywheel
431	697122	1	Elbow-Intake
445	698083	1	Filter-Cartridge, Air Cleaner
643	698401	1	Retainer-Filter, Air
783	693713	1	Gear-Pinion
967	697015	1	Filter-Cleaner, Pre
968	698403	1	Cover-Cleaner, Air
1005	697853	1	Fan-Flywheel
1036	695700	1	Label-Emission
1040	698368	1	Plate-Trim
1044	691658	1	Screw-Crankshaft Extension
1051	691265	1	Ring-Retaining
1070	690372	1	Screw
④1266	691917	1	Seal-O Ring
④1266A	697123	1	Seal-O Ring

Ref	Part No.	Qty.	Description
1267	697419	1	Latch-Housing, Blower

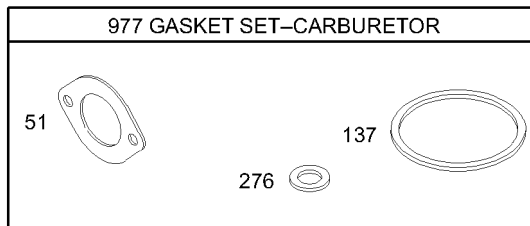
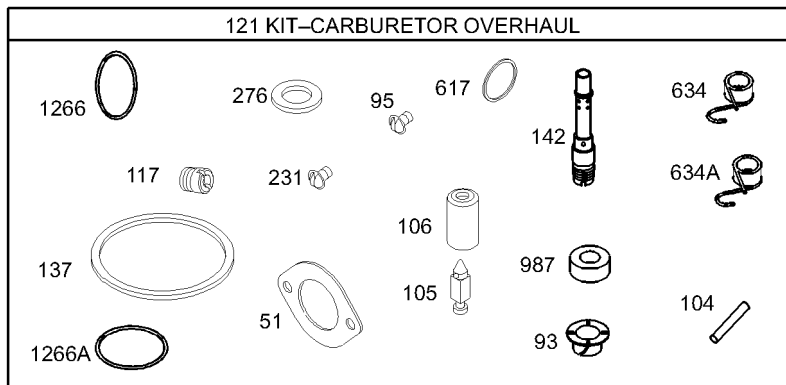




Assemblies include all parts shown in frames.

## Gasket Assembly Briggs and Stratton 280H07-0166-E1

Ref	Part No.	Qty.	Description
4 3	391086	1	Seal-Oil
4 7	273280	1	Gasket-Head, Cylinder
4 9	697109	1	Gasket-Breather
4 12	697110	1	Gasket-Crankcase
4 20	690947	1	Seal-Oil
3 4 51	692137	1	Gasket-Intake
3 3			
3 358	697151	1	Engine Gasket Set
3 4 617	692138	1	Seal-O Ring
3			
4 3 524	691032	1	Seal, O-Ring
4 3 691	692407	1	Seal-Shaft, Governor
4 3 842	691031	1	Seal-O Ring
4 3 868	690968	1	Seal-Valve
3			
4 3 1022	272475	1	Gasket-Cover, Rocker
3 1095	691581	1	Valve Gasket Set
3 4 1266	691917	1	Seal-O Ring
3			
3 4 1266A	697123	0	Seal-O Ring
3			



Assemblies include all parts shown in frames.

## Carburetor Overhaul Kit Assembly Briggs and Stratton 280H07-0166-E1

Ref	Part No.	Qty.	Description
4 5 51	692137	1	Gasket-Intake
6 7			
6 93	690602	1	Bushing-Shaft, Throttle
6 95	691636	1	Screw
6 104	690525	1	Pin-Hinge, Carburetor Float
6 105	231855	1	Valve-Needle, Float
6 106	690577	1	Seat-Inlet
6 117	694352	1	Jet-Main (STD)
121	697154	1	Carburetor Overhaul Kit
6 7 137	281165	1	Gasket-Bowl, Float
6 142	697140	1	Nozzle-Carburetor
6 231	691636	1	Screw
6 7 276	692255	1	Washer-Sealing
4 6 617	692138	1	Seal-O Ring
6 634	690801	1	Spring / Seal ASM
6 634A	690802	1	Spring And Seal ASM
977	690192	1	Carburetor Gasket Set
6 987	691326	1	Seal-Shaft, Throttle
4 6 1266	691917	1	Seal-O Ring
4 6 1266A	697123	1	Seal-O Ring


## NOTES

