



Precision Z340 HLX Riding Mower

Model No. 81245 - 250000001 and up.

Parts Catalog

Ordering Replacement Parts

To order replacement parts, please supply the part number, the quantity, and the description of each part desired.

Understanding Reference Numbers

Each identified part in an illustration has a reference number. The reference number for a part also appears in the parts list, along with other information about the part.

This catalog uses two special reference number formats, one to indicate parts in a service assembly and another to indicate the quantity of a given part in an illustration.

Service Assembly Reference Numbers

Parts in service assemblies have reference numbers in the form a:b. The a represents the reference number of the entire service assembly and the b represents a sequential number unique to each part within the service assembly.

For example, a wheel assembly might be identified by reference number 6, the tire by 6:1, the valve by 6:2, and the wheel by 6:3. When you order the assembly identified by reference number 6, you receive all parts identified by reference numbers 6:1, 6:2, and 6:3. However, you may also order any part individually. Reference numbers of this type appear in illustrations and in part lists.

Reference Numbers Indicating Quantity

In an illustration, if a reference number indicates more than one part, the reference number has the form nX y. The n represents the quantity of the part, the X is the multiplication symbol, and the y represents the reference number.

For example, in an illustration, the reference number 2X 37 means that two of the parts identified by reference number 37 are indicated.

Contents

Description	Page	Description	Page
Front Frame Assembly 3	Camshaft Assembly Honda GXV530 EXA2LB 22
Seat Assembly 4	Fan Cover Assembly Honda GXV530 EXA2LB 23
Control Assembly 5	Carburetor Assembly Honda GXV530 EXA2LB 24
Hydro and Belt Drive Assembly 6	Exhaust Pipe Assembly Honda GXV530 EXA2LB 25
LH Hydro Transaxle Assembly No. 108-2394 7	Fuel Pump Assembly Honda GXV530 EXA2LB 26
RH Hydro Transaxle Assembly No. 108-2393 9	Flywheel Assembly Honda GXV530 EXA2LB 27
Engine Assembly 11	Ignition Coil Assembly Honda GXV530 EXA2LB 28
Styling Assembly 12	Starter Motor Assembly Honda GXV530 EXA2LB 29
42in Deck Assembly 13	Control Assembly Honda GXV530 EXA2LB 30
Decal Assembly 14	Regulator Rectifier and Sub-Wire Harness Assembly Honda GXV530 EXA2LB 31
Spindle and Belt Drive Assembly 15	Label Assembly Honda GXV530 EXA2LB 32
Electrical Assembly 16	Attachments and Accessories List 33
Cylinder Assembly Honda GXV530 EXA2LB 17		
Crankcase Assembly Honda GXV530 EXA2LB 18		
Oil Pan Assembly Honda GXV530 EXA2LB 19		
Crankshaft Assembly Honda GXV530 EXA2LB 20		
Piston and Connecting Rod Assembly Honda GXV530 EXA2LB 21		

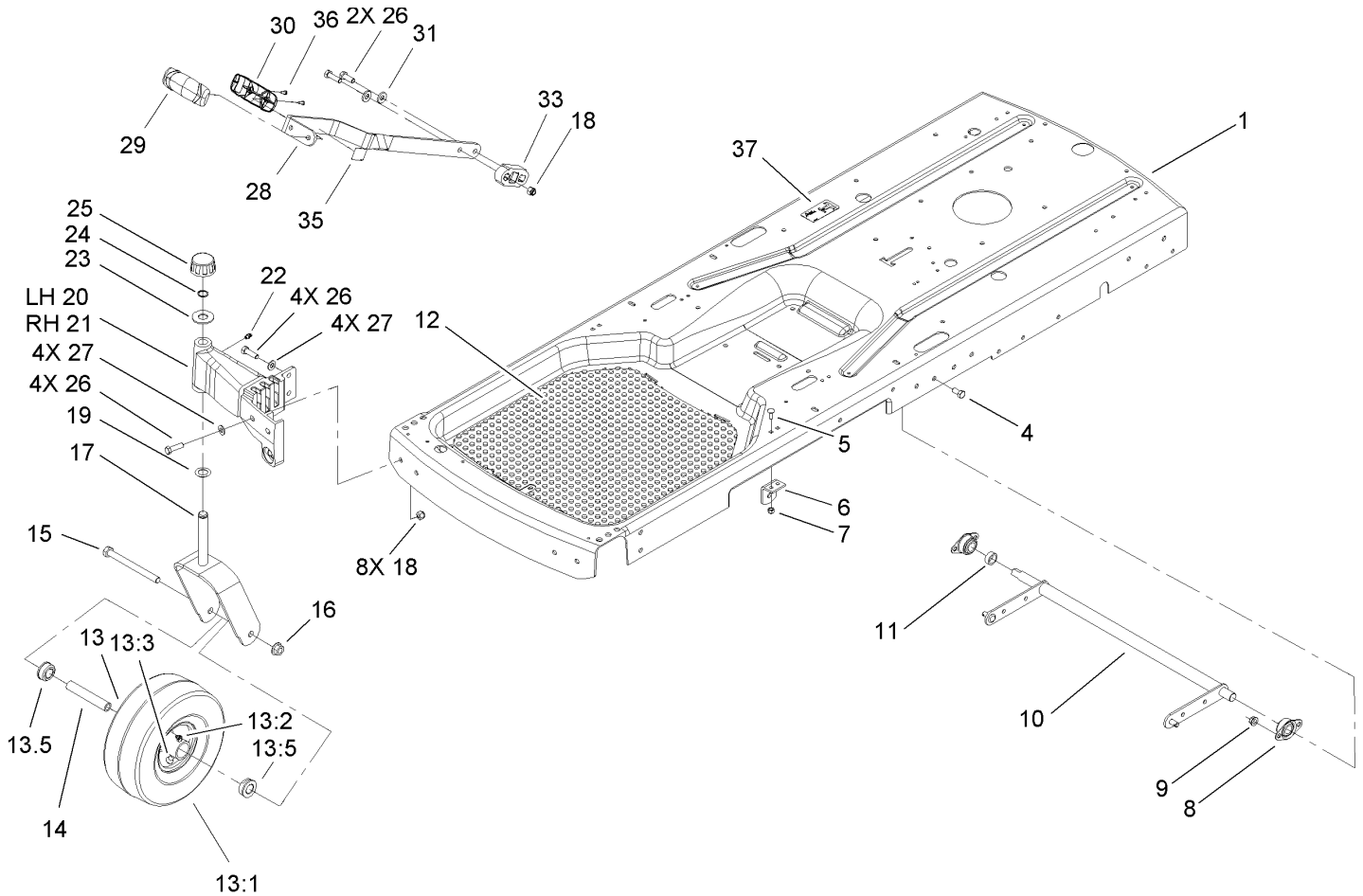
Part Description Abbreviations

Part descriptions in this catalog may include the following abbreviations.

AR. as required	HYD. hydraulic
ASM. assembly	LH. left hand
BBC. blade brake clutch	NI. nylon insert
CARR. carriage	NPTF. national pipe thread fine
DEG. degrees	PFH. phillips flat head
EXT. external	PPH. phillips pan head
FH. flat head	PPHTF. phillips pan head thread forming
GA. gauge	PRH. phillips round head
HD. heavy-duty	PTH. phillips truss head
HF. hex flange	PTO. power-take-off
HH. hex head	RH. right hand
HHF. hex head flange	ROPS. roll-over protection system
HHFTF. hex head flange thread forming	SFH. slotted fillister head
HJ. hex jam	SHH. slotted hex head
HLH. hex lag head	SHWH. slotted hex washer head
HOC. height-of-cut	SPH. slotted pan head
HSBH. hex socket button head	SQH. square head
HSFH. hex socket flat head	SRH. slotted round head
HSH. hex socket head	STD. standard
HWH. hex washer head	TAP. self tapping
HWHTF. hex washer head thread forming	TTH. torx truss head

Footnotes

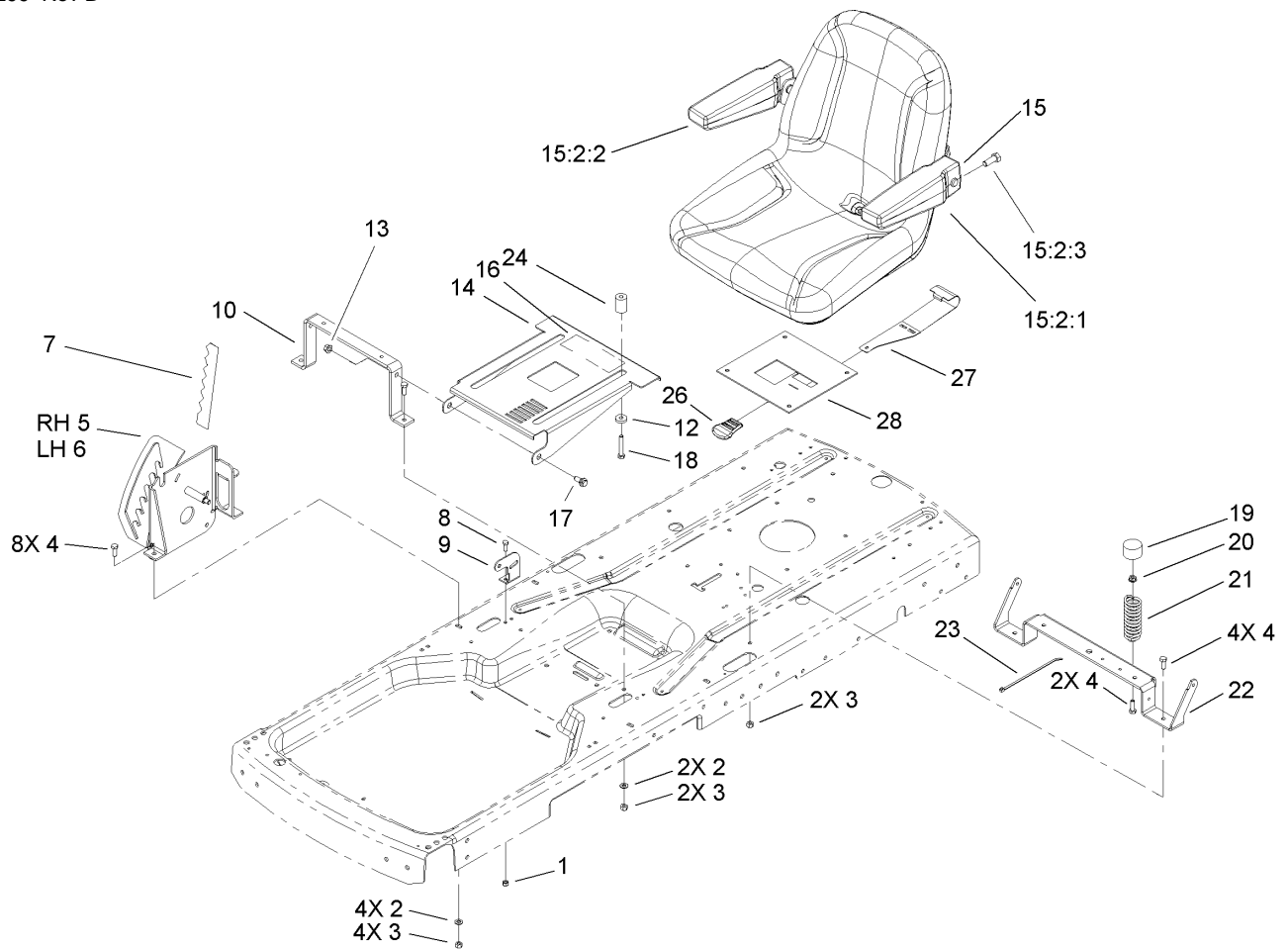
- ❶ Not illustrated
- ❷ Not serviced separately
- ❸ Obtain from your local Honda dealer



Front Frame Assembly

Ref	Part No.	Qty.	Description
1	108-2326	1	Frame
4	323-4	4	Screw-HH
5	3229-1	4	Screw-CARR
6	105-3439	2	Bracket-Lift
7	3296-42	4	Nut-Lock, NI
8	1-633102	2	Bearing-Flange, Side
9	3290-357	4	Nut-HHF, Whiz
10	105-3499-03	1	Lift Arm ASM
11	106-2222	1	Spacer
12	108-6161	1	Footmat-Frame
13	108-6126	2	Castor Wheel ASM
13:1	105-1943	1	Tire
13:2	302-5	1	Fitting-Grease
13:3	232-27	1	Stem-Valve
13:5	114-1640	2	Bushing-Flange
●13:99	93-4244	1	Tube-Inner (W/Valve)
14	104-3667	2	Spanner-Wheel
15	325-22	2	Screw-HH
16	32128-23	2	Nut-HF
17	107-9119-03	2	Castor Fork ASM
18	3296-39	9	Nut-Lock, NI
19	3-6498	2	Washer-Thrust
●20	105-6986-02	1	Castor-LH
21	105-6985-02	1	Castor-RH

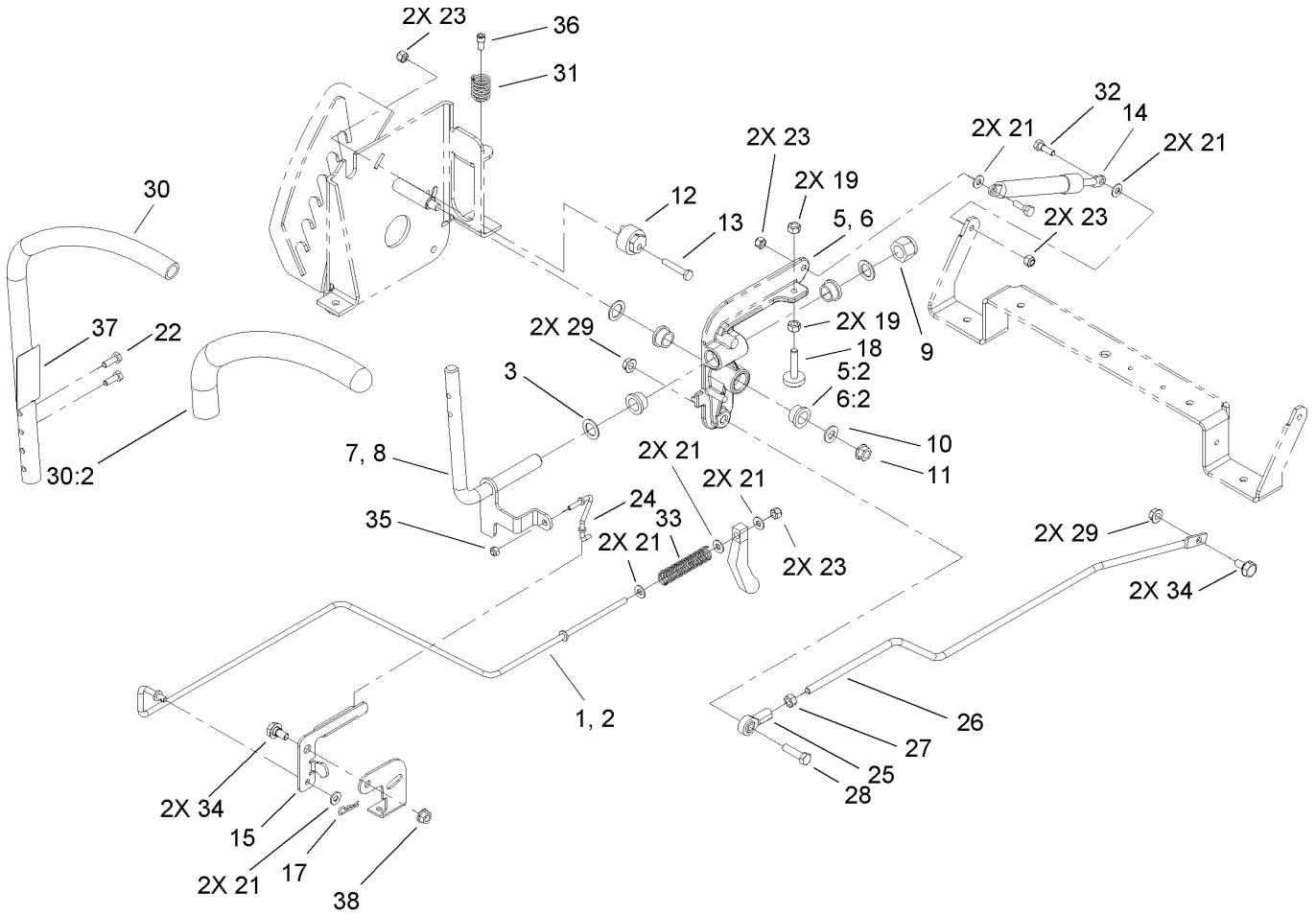
Ref	Part No.	Qty.	Description
22	302-5	2	Fitting-Grease
23	28-2480	2	Washer
24	32151-103	2	Ring-Snap
25	61-9780	2	Cap-Hub
26	323-18	10	Screw-HH
27	3256-24	8	Washer-Flat
28	108-2317-03	1	Lever-Lift
29	108-2318	1	Handle-Top
30	108-2319	1	Handle-Bottom
31	98-5975	2	Washer-Belleville
33	106-2211	1	Block-Lift
35	106-8743	1	Decal
36	94-6961	2	Screw
37	108-6109	1	Decal-Transport, Ce



Seat Assembly

Ref	Part No.	Qty.	Description
1	3296-42	4	Nut-Lock, NI
2	3256-23	6	Washer-Flat
3	3296-29	12	Nut-Lock, NI
4	322-4	14	Screw-HH
5	106-2158-03	1	RH Plate ASM
6	106-2159-03	1	LH Plate ASM
7	108-2392	1	Decal-HOC
8	321-4	4	Screw-HH
9	106-2180	2	Bracket-Bellcrank
10	105-6954-03	1	Brace-Seat, Front
12	108-2353	4	Spacer
13	32128-21	2	Nut-HF
14	108-2303-03	1	Bracket-Seat
15	106-6446	1	Seat ASM
15:2:1	108-6177	1	LH Armrest ASM
15:2:2	108-6178	1	RH Armrest ASM
15:2:3	108-6179	6	Screw-HSBH
16	106-8716	1	Decal-Services
17	94-7582	2	Bolt-Shoulder
18	322-11	4	Screw-HH
19	701178	2	Cap-Protector
20	32128-25	2	Nut-HF
21	92-7054	2	Spring-Compression
22	108-2358-03	1	Brace-Seat, Rear

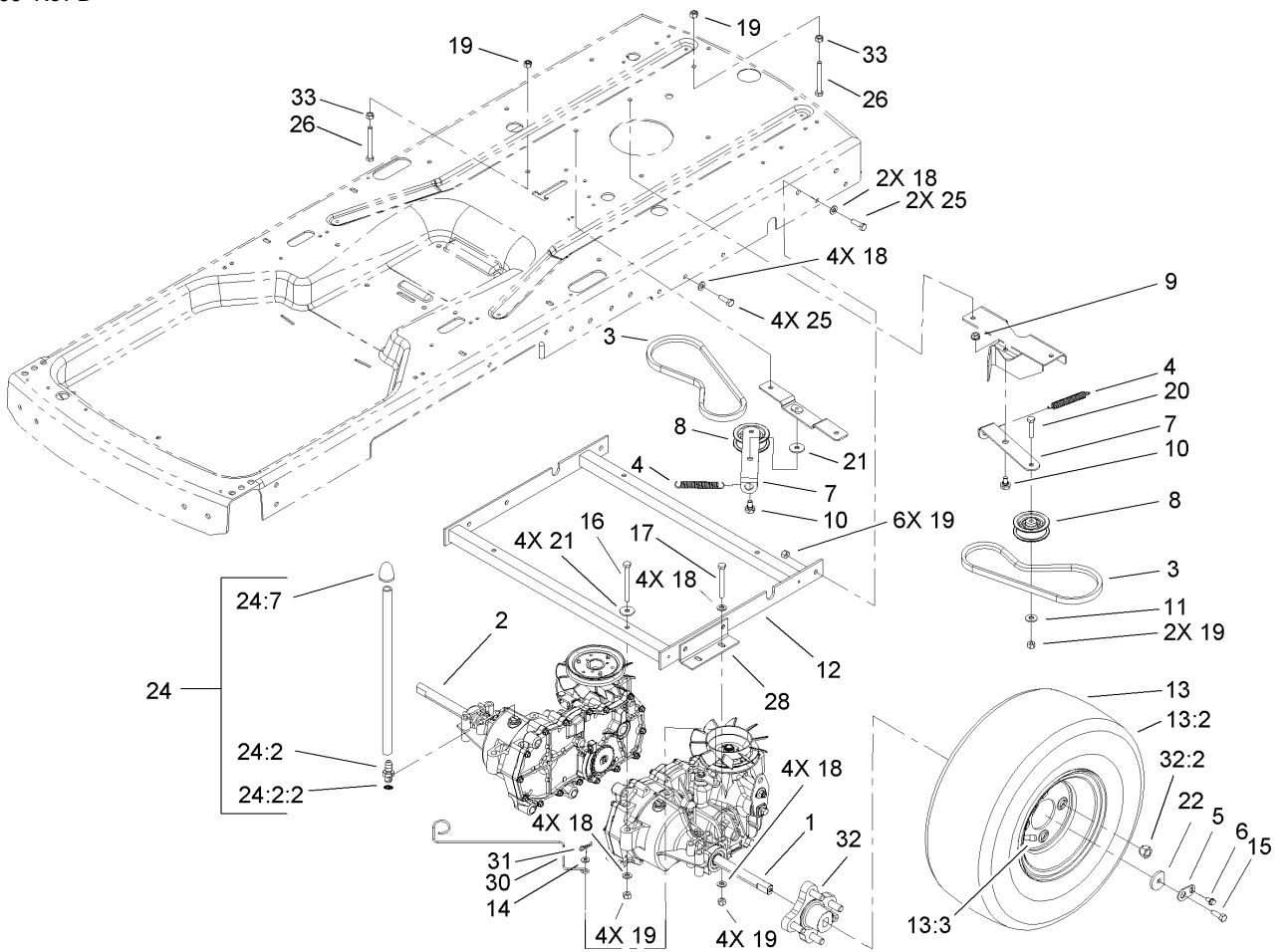
Ref	Part No.	Qty.	Description
23	614249	2	Strap-Tie
24	108-2301	4	Spacer
26	107-1904	1	Knob-Lever, HOC
27	108-2302	1	Latch-Seat
28	108-7175-03	1	Mount-Latch, Seat



Control Assembly

Ref	Part No.	Qty.	Description
1	105-7045	1	Rod-Brake, LH
2	105-7044	1	Rod-Brake, RH
3	105-3481	6	Washer-Thrust
5	107-4909	1	LH Activator Arm ASM
5:2	105-3455	4	Bushing
6	107-4910	1	RH Activator Arm ASM
6:2	105-3455	4	Bushing
7	105-3488	1	LH Pivot Shaft ASM
8	105-3487	1	RH Pivot Shaft ASM
9	3296-53	2	Nut-Lock, NI
10	3256-24	2	Washer-Flat
11	3296-59	2	Nut-Lock, NI
12	107-4874	2	Eccentric
13	321-9	2	Screw-HH
14	103-2913	2	Damper-Control, Motion
15	106-2181	2	Bellcrank
17	1-806003	2	Pin-Hair
18	105-3486	2	Stop-Adjustment
19	3217-6	4	Nut-Hex
21	3256-22	12	Washer-Flat
22	321-4	4	Screw-HH
23	3296-42	8	Nut-Lock, NI
24	106-2179	2	Link-Brake
25	1-543017	2	Balljoint-RH

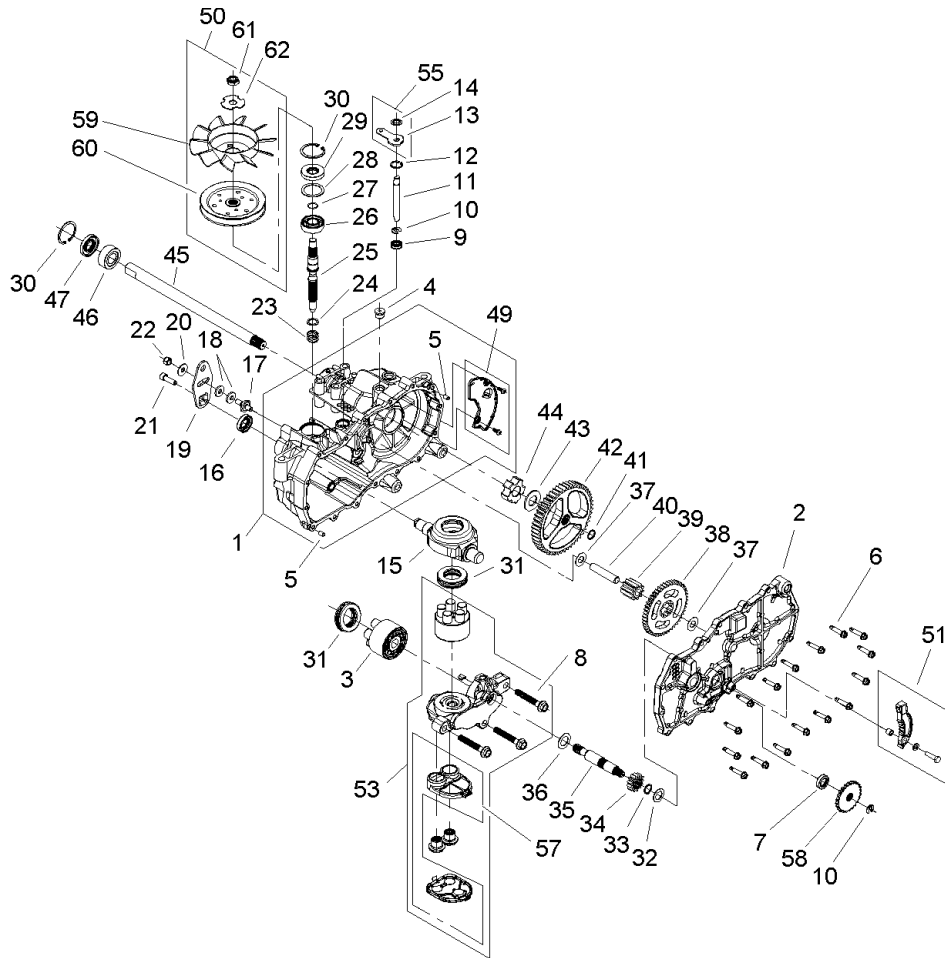
Ref	Part No.	Qty.	Description
26	105-7048	2	Rod-Hydro
27	3219-2	2	Nut-Hex
28	322-6	2	Screw-HH
29	32128-20	4	Nut-HF
30	108-6117	2	Handle ASM
30:2	108-6187	1	Grip
31	105-3469	2	Spring-Compression
32	106-2214	4	Bolt-Shoulder
33	105-3465	2	Spring-Compression
34	37-8771	4	Bolt-Shoulder
35	3296-2	2	Nut-Lock
36	3274-52	2	Screw-HSH
37	106-8742	2	Decal
38	32128-25	2	Nut-HF



Hydro and Belt Drive Assembly

Ref	Part No.	Qty.	Description
1	108-2394	1	Transaxle-Hydro, LH
2	108-2393	1	Transaxle-Hydro, RH
3	106-2174	2	V-Belt
4	95-3805	2	Spring
5	105-3438	2	Tab-Locking
6	3234-13	2	Screw-HHF
7	105-7047	2	Arm-Idler
8	106-2176	2	Pulley-Idler
9	32128-25	1	Nut-HF
10	37-8770	2	Bolt-Shoulder
11	3256-3	2	Washer-Flat
12	107-4878-03	1	Hydro Mount ASM
13	108-6128	2	Wheel And Tire ASM
13:2	106-7006	1	Tire
13:3	232-27	1	Stem-Valve
●13:99	107-2491	1	Tube-Tire
14	3256-1	2	Washer-Flat
15	3210-5	2	Screw-HH
16	322-20	4	Screw-HH
17	322-13	4	Screw-HH
18	3256-23	18	Washer-Flat
19	3296-29	18	Nut-Lock, NI
20	322-7	2	Screw-HH
21	5-4460	5	Washer-Pivot

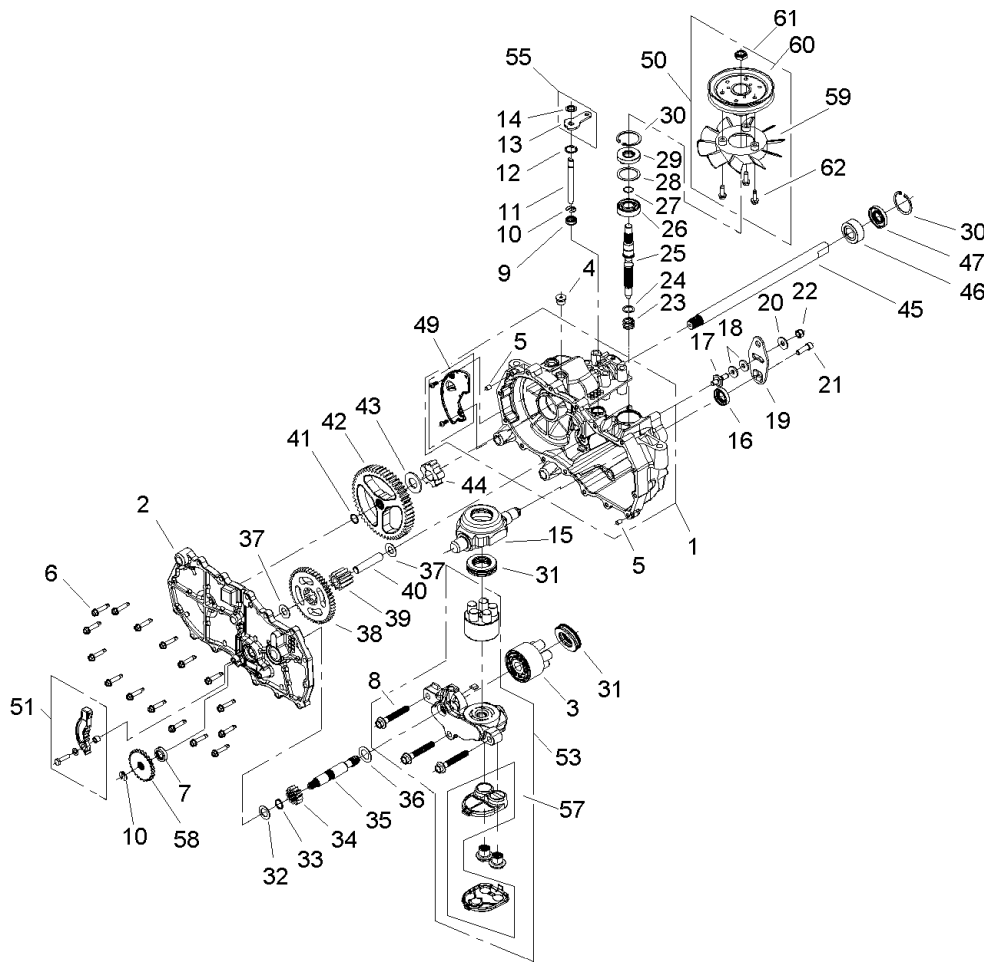
Ref	Part No.	Qty.	Description
22	106-7001	2	Washer-Wheel
24	106-7002	2	Vent Hose ASM
24:2	93-3818	1	Fitting ASM
24:2:2	93-3816	1	O-Ring
24:7	107-1701	1	Cap Vent ASM
25	322-5	6	Screw-HH
26	322-13	2	Screw-HH
28	105-7039-03	2	Support-Hydro
30	107-4875	2	Rod-Bypass
31	1-806003	2	Pin-Hair
32	108-9533	1	Hub ASM
32:2	242-50	4	Nut-Lug
33	3217-6	2	Nut-Hex



LH Hydro Transaxle Assembly No. 108-2394

Ref	Part No.	Qty.	Description
1	106-8695	1	RH Main Housing ASM
2	106-8696	1	RH Side ASM
3	104-2106	1	Cylinder Block ASM
4	104-2189	1	Plug-Thread, Straight
5	104-2170	2	Pin
6	104-5305	16	Screw-HHF
7	104-5347	1	Seal-Oil
8	94-6926	3	Bolt
9	106-8676	1	Seal-Lip
10	106-8677	2	Ring-Retaining, EXT
11	106-8678	1	Rod-Bypass
12	106-8679	1	Ring-Retaining, Int
13	107-2490	1	Arm-Bypass
14	106-8681	1	Ring-Retaining, EXT
15	104-5304	1	Swashplate-Trunnion
16	104-5313	1	Seal-Lip
17	104-2116	1	Stud
18	105-1873	2	Puck-Friction
19	106-8747	1	Arm-Control
20	5-4460	1	Washer-Pivot
21	107-2488	1	Screw
22	105-1872	1	Nut
23	94-1936	1	Spring-Block
24	94-1937	1	Washer-Block, Thrust

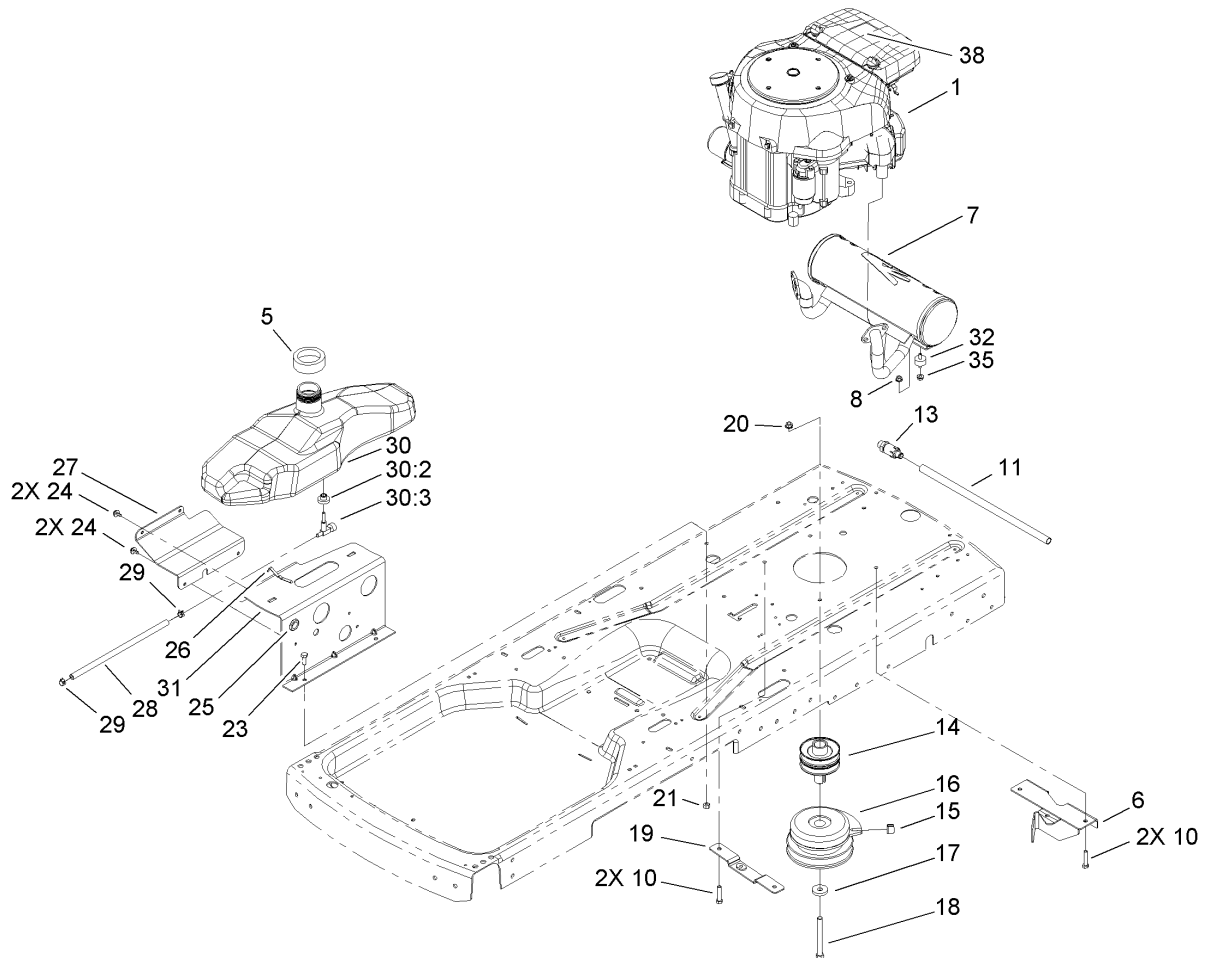
Ref	Part No.	Qty.	Description
25	104-5306	1	Shaft-Input
26	104-5311	1	Bearing-Ball
27	104-5307	1	Ring-Retaining
28	104-5308	1	Spacer
29	104-5310	1	Seal-Lip
30	104-5309	2	Ring-Retaining
31	94-6922	2	Bearing-Thrust
32	104-5339	1	Washer-Flat
33	104-5340	1	Ring-Retaining
34	104-5316	1	Gear-Pinion, 13T
35	106-8683	1	Shaft-Motor
36	104-5360	1	Washer-Shaft, Motor
37	94-1933	2	Washer
38	104-5317	1	Gear
39	104-5318	1	Gear-Jackshaft, 10T
40	104-5329	1	Pin-Jackshaft
41	104-5328	1	Ring-Retaining, Spiral
42	106-8684	1	Gear-Bull, 52T
43	94-1943	1	Washer
44	104-5320	1	Bearing-Sleeve
45	106-8685	1	Axle
46	104-5321	1	Bearing-Sleeve, Outboard
47	104-5322	1	Seal-Lip
48	106-8686	1	Seal Kit



RH Hydro Transaxle Assembly No. 108-2393

Ref	Part No.	Qty.	Description
1	106-8674	1	LH Main Housing ASM
2	106-8675	1	LH Side ASM
3	104-2106	1	Cylinder Block ASM
4	104-2189	1	Plug-Thread, Straight
5	104-2170	2	Pin
6	104-5305	16	Screw-HHF
7	104-5347	1	Seal-Oil
8	94-6926	3	Bolt
9	106-8676	1	Seal-Lip
10	106-8677	2	Ring-Retaining, EXT
11	106-8678	1	Rod-Bypass
12	106-8679	1	Ring-Retaining, Int
13	107-2490	1	Arm-Bypass
14	106-8681	1	Ring-Retaining, EXT
15	104-5304	1	Swashplate-Trunnion
16	104-5313	1	Seal-Lip
17	104-2116	1	Stud
18	105-1873	2	Puck-Friction
19	106-8747	1	Arm-Control
20	5-4460	1	Washer-Pivot
21	107-2488	1	Screw
22	105-1872	1	Nut
23	94-1936	1	Spring-Block
24	94-1937	1	Washer-Block, Thrust

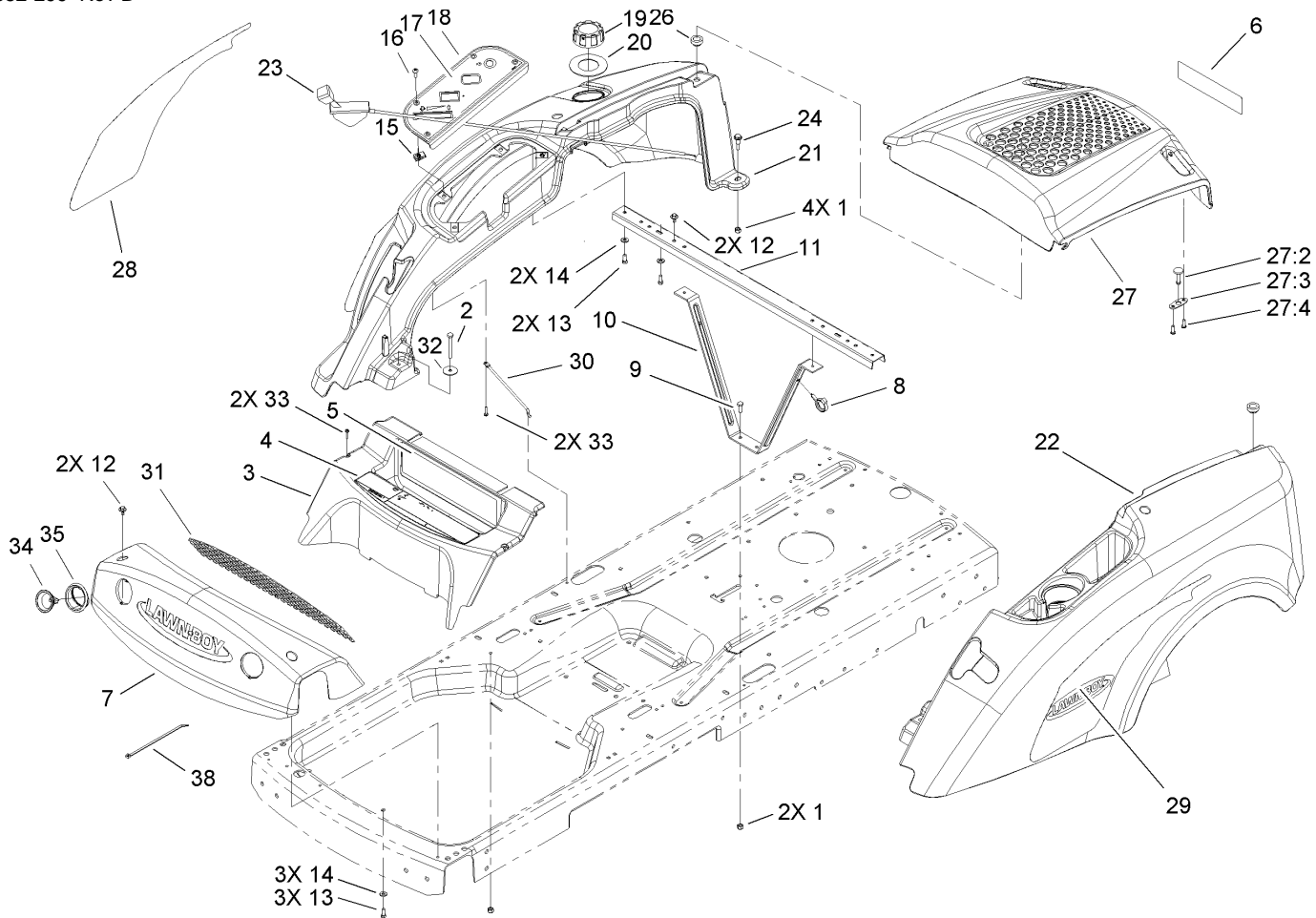
Ref	Part No.	Qty.	Description
25	104-5306	1	Shaft-Input
26	104-5311	1	Bearing-Ball
27	104-5307	1	Ring-Retaining
28	104-5308	1	Spacer
29	104-5310	1	Seal-Lip
30	104-5309	2	Ring-Retaining
31	94-6922	2	Bearing-Thrust
32	104-5339	1	Washer-Flat
33	104-5340	1	Ring-Retaining
34	104-5316	1	Gear-Pinion, 13T
35	106-8683	1	Shaft-Motor
36	104-5360	1	Washer-Shaft, Motor
37	94-1933	2	Washer
38	104-5317	1	Gear
39	104-5318	1	Gear-Jackshaft, 10T
40	104-5329	1	Pin-Jackshaft
41	104-5328	1	Ring-Retaining, Spiral
42	106-8684	1	Gear-Bull, 52T
43	94-1943	1	Washer
44	104-5320	1	Bearing-Sleeve
45	106-8685	1	Axle
46	104-5321	1	Bearing-Sleeve, Outboard
47	104-5322	1	Seal-Lip
48	106-8686	1	Seal Kit



Engine Assembly

Ref	Part No.	Qty.	Description
1		1	Engine-Honda, Gxv 530 Exa2Lb
5	55-9310	1	Seal-Foam
6	107-4873	1	Bracket-Pivot
7	108-2312	1	Muffler
8	32128-33	2	Nut-HF
10	322-9	4	Screw-HH
11	106-7022	1	Tube-Drain, Oil
13	92-6877	1	Valve-Drain, Oil
14	105-3472	1	Pulley-Engine
15	98-5023	1	Bumper
16	104-3334	1	Clutch-Electric
17	112843	1	Washer
18	3212-16	1	Screw-HH
19	106-2156	1	Plate-Mount, Idler
20	32128-25	4	Nut-HF
21	3296-29	2	Nut-Lock, NI
23	322-4	2	Screw-HH
24	46-8560	4	Screw-HHF
25	237-124	1	Grommet
26	609830	2	Spring
27	108-2315-03	1	Plate-Support
28	80-7360	1	Hose-Fuel
29	2412-98	2	Clamp
30	107-9172	1	Fuel Tank ASM

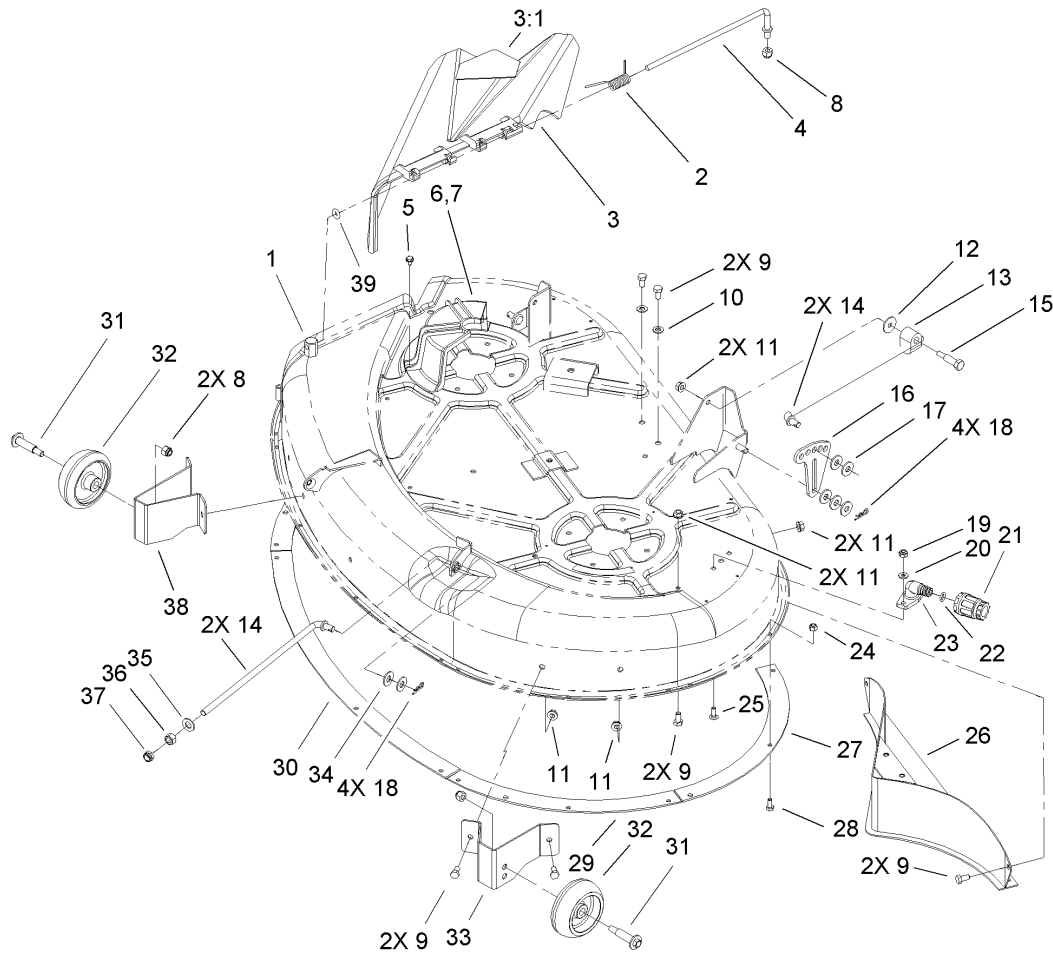
Ref	Part No.	Qty.	Description
30:2	46-6560	1	Bushing
30:3	104048	1	Valve-Fuel
31	108-2314-03	1	Plate-Tank
32	108-6183	2	Isolator-Rubber
35	32128-32	2	Nut-HHF
38	108-9557	1	Decal-Engine



Styling Assembly

Ref	Part No.	Qty.	Description
1	3296-42	6	Nut-Lock, NI
2	321-18	2	Screw-HH
3	108-2316	1	Panel-Kick
4	108-9575	1	Decal-Danger
5	108-6147	1	Decal
6	108-6141	1	Decal
7	108-2328	1	Footrest
8	105-1853	2	Clamp-Hose
9	321-4	2	Screw-HH
10	107-9173-03	1	Brace-Support
11	108-2313-03	1	Channel-Cross
12	46-8560	4	Screw-HHF
13	46-8090	5	Screw-Plastite
14	3256-22	5	Washer-Flat
15	107069	4	Clip
16	3258-166	4	Screw-PRH
17	108-2364	1	Decal
18	107-9174-03	1	Panel-Control
19	93-7198	1	Gas Cap ASM
20	108-6150	1	Washer-Seal, Rubber
21	107-9168	1	Cover-Side, RH
22	107-9169	1	Cover-Side, LH
23	104-8081	1	Cable-Throttle
24	108-6182	2	Screw-Shoulder

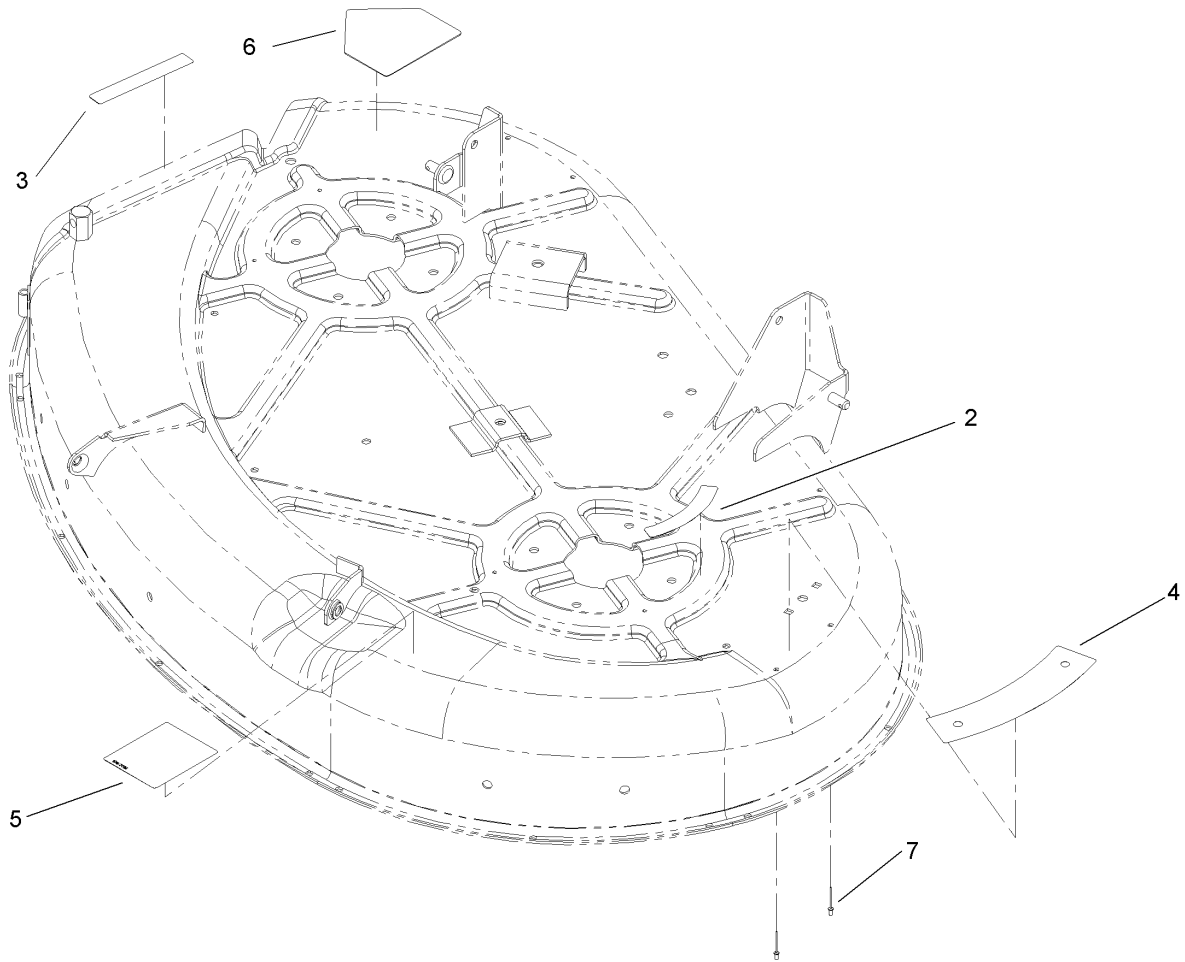
Ref	Part No.	Qty.	Description
26	108-2305	2	Grommet
27	108-2334	1	Hood Cover ASM
27:2	107-9198	2	Pin-Hood
27:3	107-9199	2	Plate
27:4	94-6961	4	Screw
28	108-6142	1	Decal
29	108-6143	1	Decal
30	108-2391	2	Rod-Support
31	108-6162	1	Footmat-Footrest
32	3256-58	2	Washer-Flat
33	94-4496	4	Screw-PPH
34	107-9179	2	Light-Halogen
35	107-9178	2	Bezel-Rubber
36	108-6159	1	Harness-Headlights, Footrest
38	250-4	2	Tie-Cable



42in Deck Assembly

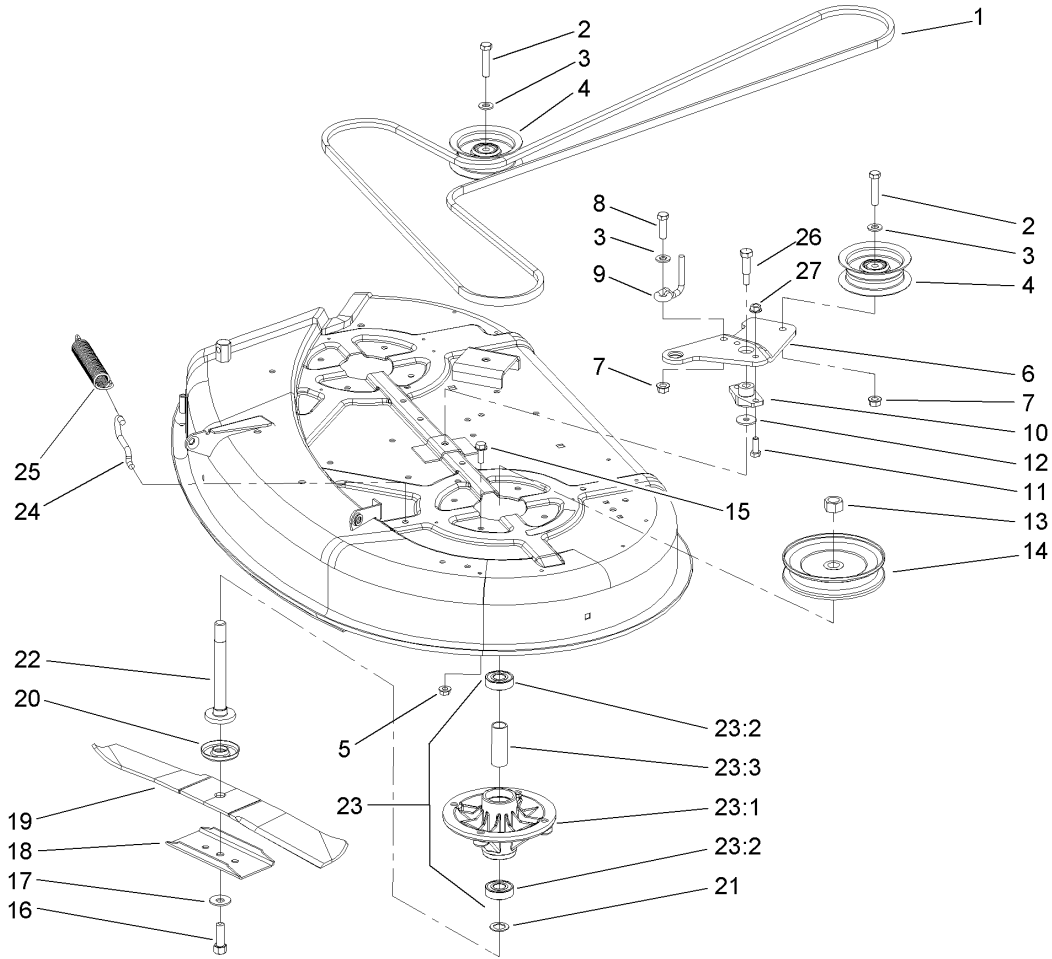
Ref	Part No.	Qty.	Description
1	108-6105	1	42In Deck ASM
2	57-6950	1	Spring
3	93-0317	1	Deflector ASM
3:1	93-1122	1	Decal-Danger
4	95-1661	1	Rod-Pivot
5	32104-76	5	Screw
6	88-4030	1	Guide-Belt, Deck (LH)
7	88-4020	1	Guide-Belt, Deck (RH)
8	3296-39	3	Nut-Lock, NI
9	322-2	8	Screw-HH
10	3256-23	2	Washer-Flat
11	32128-25	8	Nut-HF
12	5-4460	2	Washer-Pivot
13	88-4230	2	Trunion-HOC
14	105-3437	4	Rod-Hanger
15	7-0030	2	Bolt-Shoulder
16	88-5570-03	2	Link-Adjusting, HOC
17	80-6990	10	Washer-Hardened
18	9335054	8	Pin-Hair
19	3296-16	2	Nut-Lock, NI
20	3256-1	2	Washer-Flat
21	95-3270	1	Connector-Hose
22	46-6290	1	O-Ring
23	95-2747	1	Fitting-Washout

Ref	Part No.	Qty.	Description
24	3296-42	20	Nut-Lock, NI
25	3229-1	2	Screw-CARR
26	106-6983-03	1	Rear Baffle ASM
27	106-6954-03	2	Ring-Blow Out, Side
28	321-3	20	Screw-HH
29	106-6952-03	2	Ring-Blow Out, Side
30	106-6953-03	1	Ring-Blow Out
31	56-6591	2	Bolt-Wheel
32	701756	2	Wheel-Gage
33	106-8702-03	1	Bracket-Gage Wheel, Front (LH)
34	3256-4	8	Washer-Flat
35	3256-25	2	Washer-Flat
36	3219-4	2	Nut-Hex
37	3296-38	2	Nut-Lock, NI
38	106-8701-03	1	Bracket-Gage Wheel, Front (RH)
39	106-8745	1	O-Ring



Decal Assembly

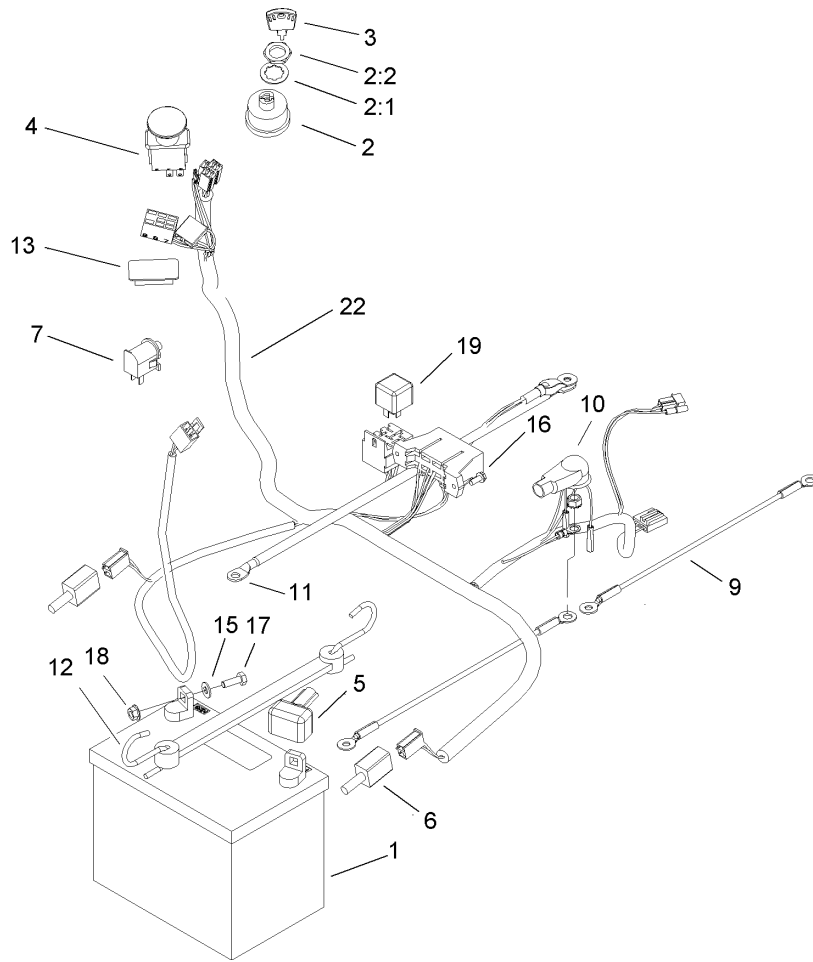
Ref	Part No.	Qty.	Description				
2	68-3660	1	Decal-Danger, Shield				
3	68-3650	1	Decal-Danger, Deflector				
4	79-3140	1	Decal-Danger				
5	105-7015	1	Decal-Routing, Belt				
6	93-1122	1	Decal-Danger				
7	3290-282	2	Rivet-Pop				



Spindle and Belt Drive Assembly

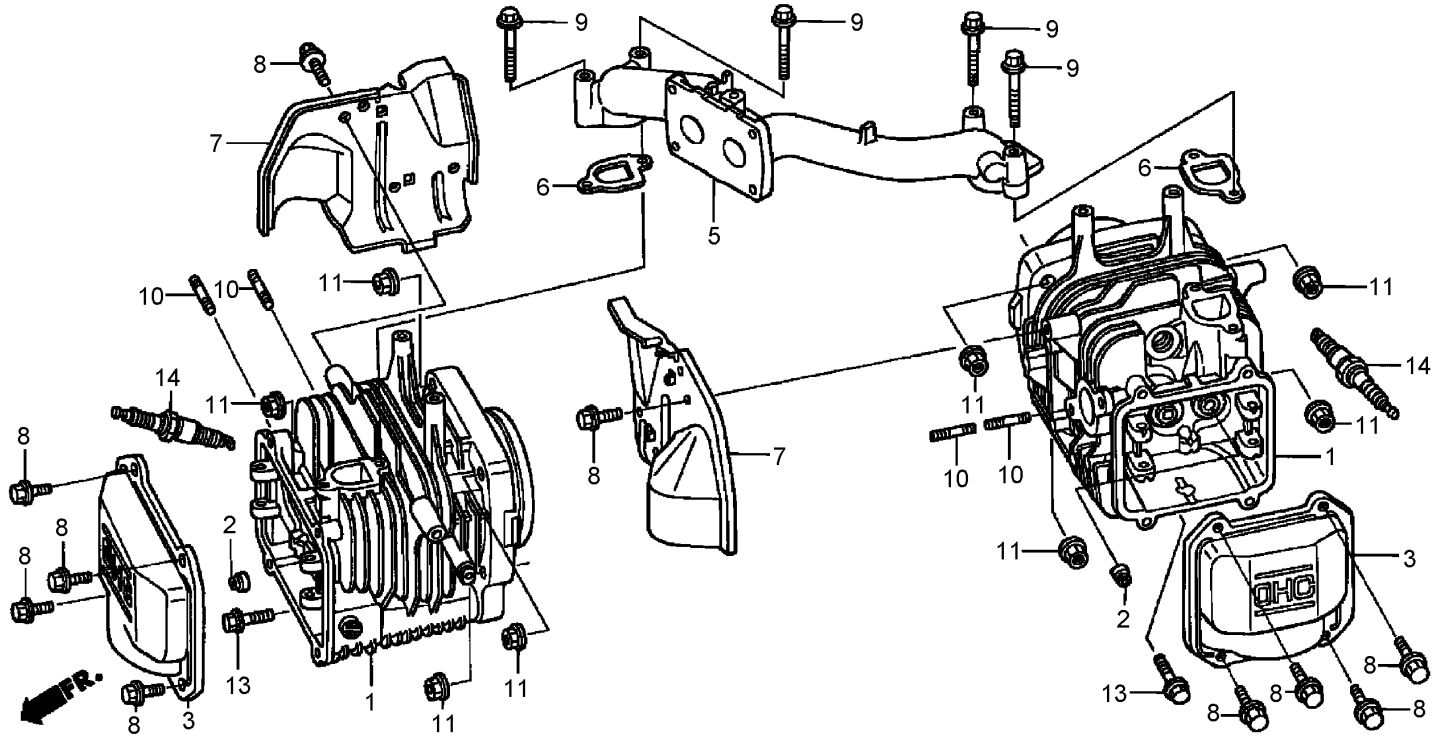
Ref	Part No.	Qty.	Description
1	106-2173	1	Belt-V
2	323-9	2	Screw-HH
3	3256-24	3	Washer-Flat
4	106-2175	2	Pulley-Idler, Flat
5	32128-25	1	Nut-HF
6	107-2467-03	1	Arm-Idler
7	32128-21	2	Nut-HF
8	323-7	1	Screw-HH
9	107-7307	1	Guide-Idler, Belt
10	88-4980	1	Bushing-Arm, Idler
11	322-4	2	Screw-HH
12	5-4460	1	Washer-Pivot
13	3219-6	2	Nut-Hex
14	88-5330	2	Pully-Deck
15	32144-41	8	Screw-Taptite
16	26-0671	2	Screw-Blade
17	3290-465	2	Washer-Belleville
18	106-2248-03	2	Stiffener-Blade
19	106-2247-03	2	Blade
20	80-4360	2	Shield-Bearing
21	80-4380	2	Spacer
22	80-4341	2	Shaft
23		2	Spindle ASM
23:1	88-4510	1	Housing-Spindle

Ref	Part No.	Qty.	Description
23:2	100-1048	2	Bearing-Ball
23:3	62-3661	1	Spacer-Bearing
24	88-5970	1	Hook-Return, Spring
25	106-2177	1	Spring-Extension
26	7-0030	1	Bolt-Shoulder
27	3296-29	2	Nut-Lock, NI



Electrical Assembly

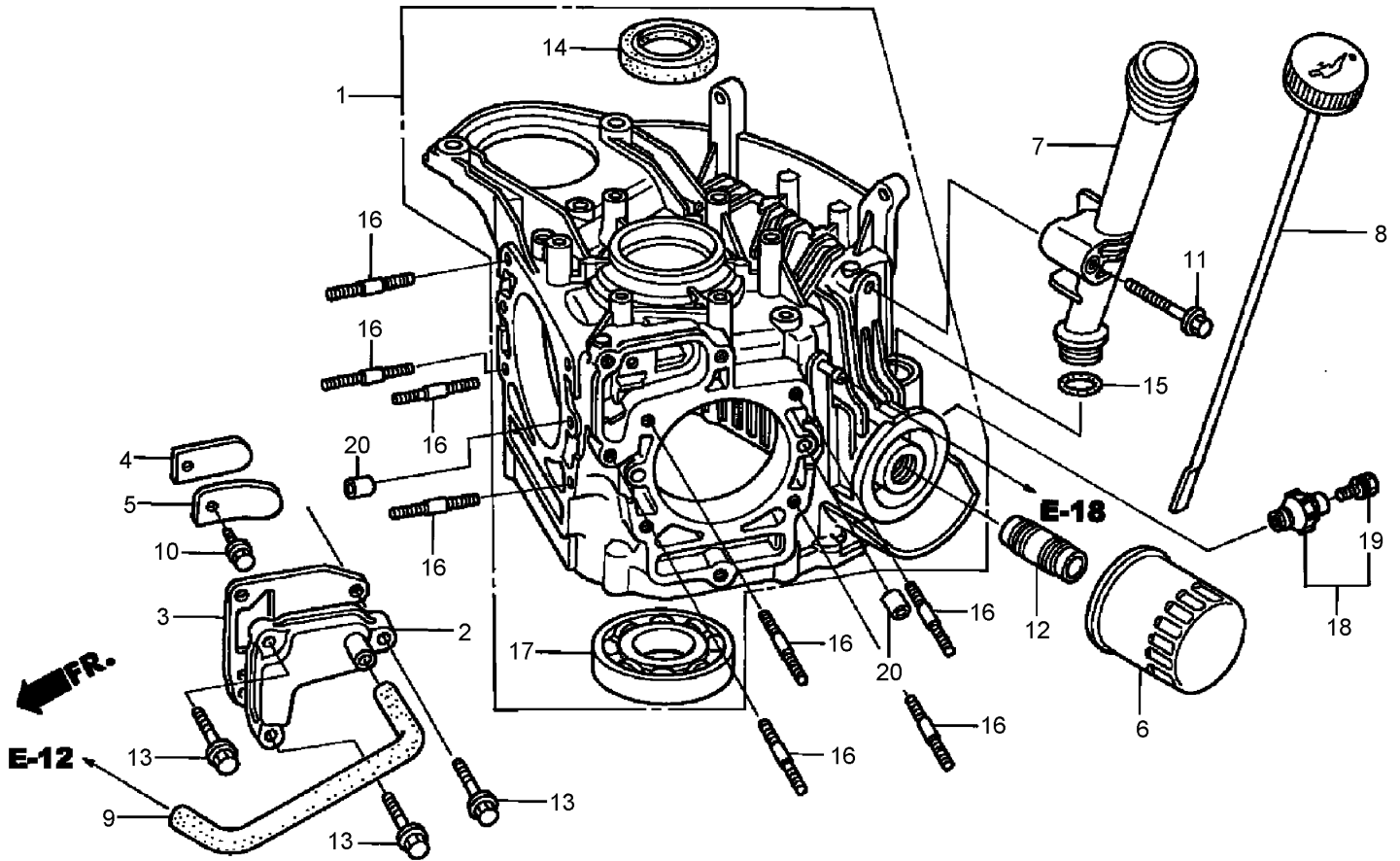
Ref	Part No.	Qty.	Description
1	104-2491	1	Battery-Dry
2	88-9830	1	Key Switch ASM
2:1	3254-5	1	Washer-Tooth
2:2	218-461	1	Nut-HH
3	700918	1	Key
4	95-7489	1	Switch-PTO
5	28-8080	1	Boot-Terminal
6	106-2216	2	Switch
7	82-2190	1	Switch-Bail
9	93-1189	1	Wire ASM
10	93-3190	1	Boot-Insulator, Terminal
11	95-7654	1	Cable
12	104-2466	1	Holddown-Battery
13	95-8999	1	Switch
15	3256-22	2	Washer-Flat
16	32144-1	4	Screw-Taptite
17	321-4	2	Screw-HH
18	32128-33	3	Nut-HF
19	98-7249	2	Relay
22	108-6155	1	Harness-Wire W/Lights
199	33004-00	1	Nut-HF



Cylinder Assembly Honda GXV530 EXA2LB

Ref	Part No.	Qty.	Description
●1	12100-Z0A-406	2	Cylinder
●2	12209-422-005	2	Seal-Stem, Valve
●3	12311-Z0A-000	2	Cover-Head
●5	17101-Z0A-000	1	Manifold-Intake
●6	17151-Z0A-000	2	Gasket-Manifold, Intake
●7	19631-Z0A-000	2	Shroud
●8	90013-883-000	10	Bolt-Flange (6X12) (C T200)
●9	90016-ZE8-000	4	Bolt-Flange (6X45) (C T200)
●10	90045-892-000	4	Bolt-Stud (6X28)
●11	90201-Z0A-000	8	Nut-Flange (8Mm)
●13	95701-06030-00	2	Bolt-Flange (6X30)
●14	98079-54846	2	Spark Plug (B P R4E S) (N G K)
●14	98079-54855	2	Spark Plug (W14E P R-U) (Denso)
●14	98079-55846	2	Spark Plug (B P R 5E S) (N G K)

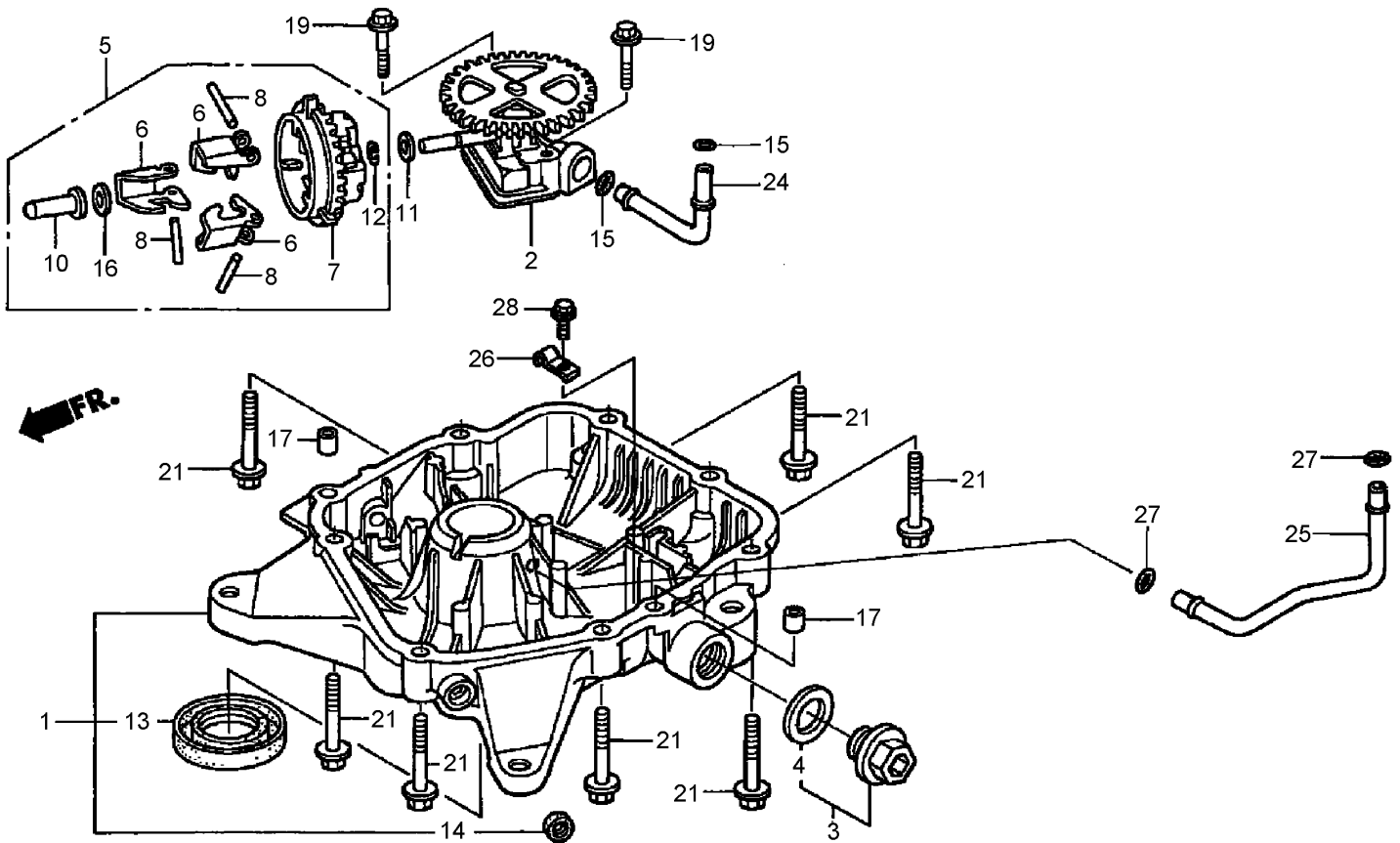
Ref	Part No.	Qty.	Description
●14	98079-55855	2	Spark Plug (W16E P R-U) (Denso)



Crankcase Assembly Honda GXV530 EXA2LB

Ref	Part No.	Qty.	Description
●1	11100-Z0A-409	1	Crankcase ASM (840)
●2	12356-Z0A-000	1	Cover-Breather
●3	12358-Z0A-000	1	Gasket-Cover, Breather
●4	12372-ZA0-701	1	Plate-Valve
●5	12374-Z0A-000	1	Stopper-Valve
●6	15410-MCJ-000	1	Filter-Oil (Toyo Roki)
●7	15631-Z0A-000	1	Extension-Filler, Oil
●8	15655-Z0A-800	1	Dipstick-Oil
●9	15721-Z0A-000	1	Tube-Breather
●10	90002-892-000	1	Bolt-Flange (5X10)
●11	90016-ZE8-000	1	Bolt-Flange (6X45) (C T200)
●12	90018-PN3-000	1	Holder-Filter, Oil
●13	90121-952-000	3	Bolt-Flange (6X25) (C T 200)

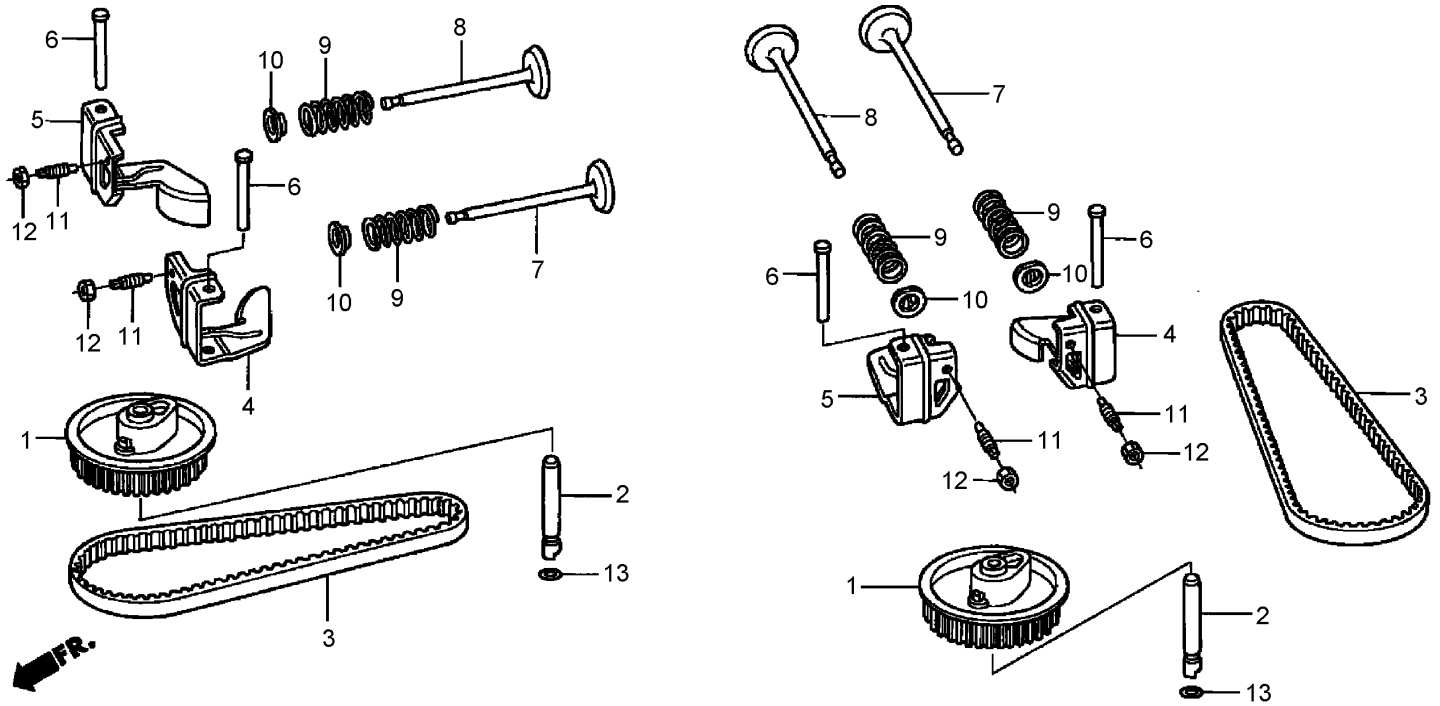
Ref	Part No.	Qty.	Description
●14	91201-ZE3-004	1	Seal-Oil (35X5X8)
●15	91301-ZE9-003	1	O-Ring (22.5X2.2)
●16	92900-08028-0E	8	Bolt-Stud (8X28)
●17	96100-62070-00	1	Bearing-Ball, Radial
●18	35490-Z0A-003	1	Oil Pressure Switch ASM
●19	90002-PA6-003	1	Bolt-Washer (4X8) (Denso)
●20	94301-08140	4	Pin-Dowel (8X14)



Oil Pan Assembly Honda GXV530 EXA2LB

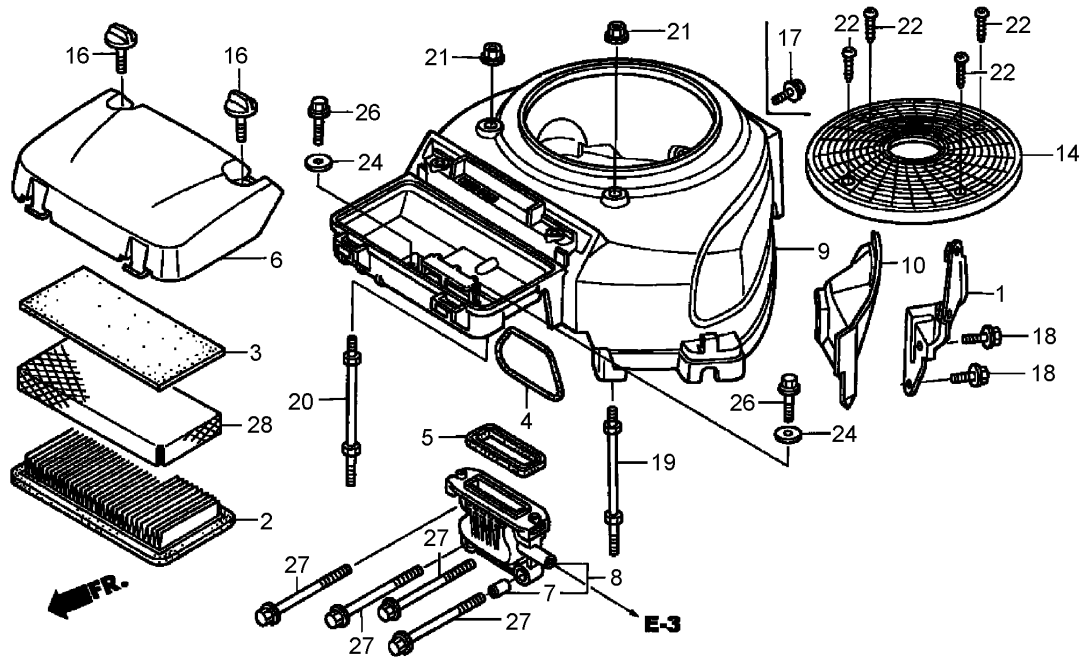
Ref	Part No.	Qty.	Description
❶	11300-Z0A-830	1	Oil Pan ASM
❷	15100-Z0A-811	1	Oil Pump ASM
❸	15550-Z0A-810	1	Drain Cap ASM
❹	15625-ZE1-003	1	Gasket-Cap, Oil Filler
❺	16510-Z0A-000	1	Governor ASM
❻	16511-Z0A-000	3	Weight-Governor
❼	16512-Z0A-000	1	Holder-Weight, Governor
❽	16513-ZE2-000	3	Pin-Weight, Governor
❿	16531-Z0A-000	1	Slider-Governor
⓫	90473-147-000	1	Washer (6X16)
⓬	90602-ZE1-000	1	Clip-Holder, Governor
⓭	91202-Z0A-003	1	Seal-Oil (31X50X8)
⓮	91259-VM0-000	1	Seal-Oil (10X16X4.5)

Ref	Part No.	Qty.	Description
⓯	91301-Z0A-003	2	O-Ring (7.5X2.3)
⓰	94101-06800	1	Washer-Plain (6Mm)
⓱	94301-08140	2	Pin-Dowel (8X14)
⓲	95701-06035-00	1	Bolt-Flange (6X35)
⓳	95701-08040-00	7	Bolt-Flange (8X40)
⓴	15161-Z0A-000	1	Pipe-Pump, Oil
⓵	15162-Z0A-800	1	Pipe-Supply, Oil
⓶	15163-Z0A-000	1	Holder-Pipe, Oil
⓷	91302-Z0A-003	2	O-Ring (5.8X2)
⓸	95701-06012-00	1	Bolt-Flange (6X12)



Camshaft Assembly Honda GXV530 EXA2LB

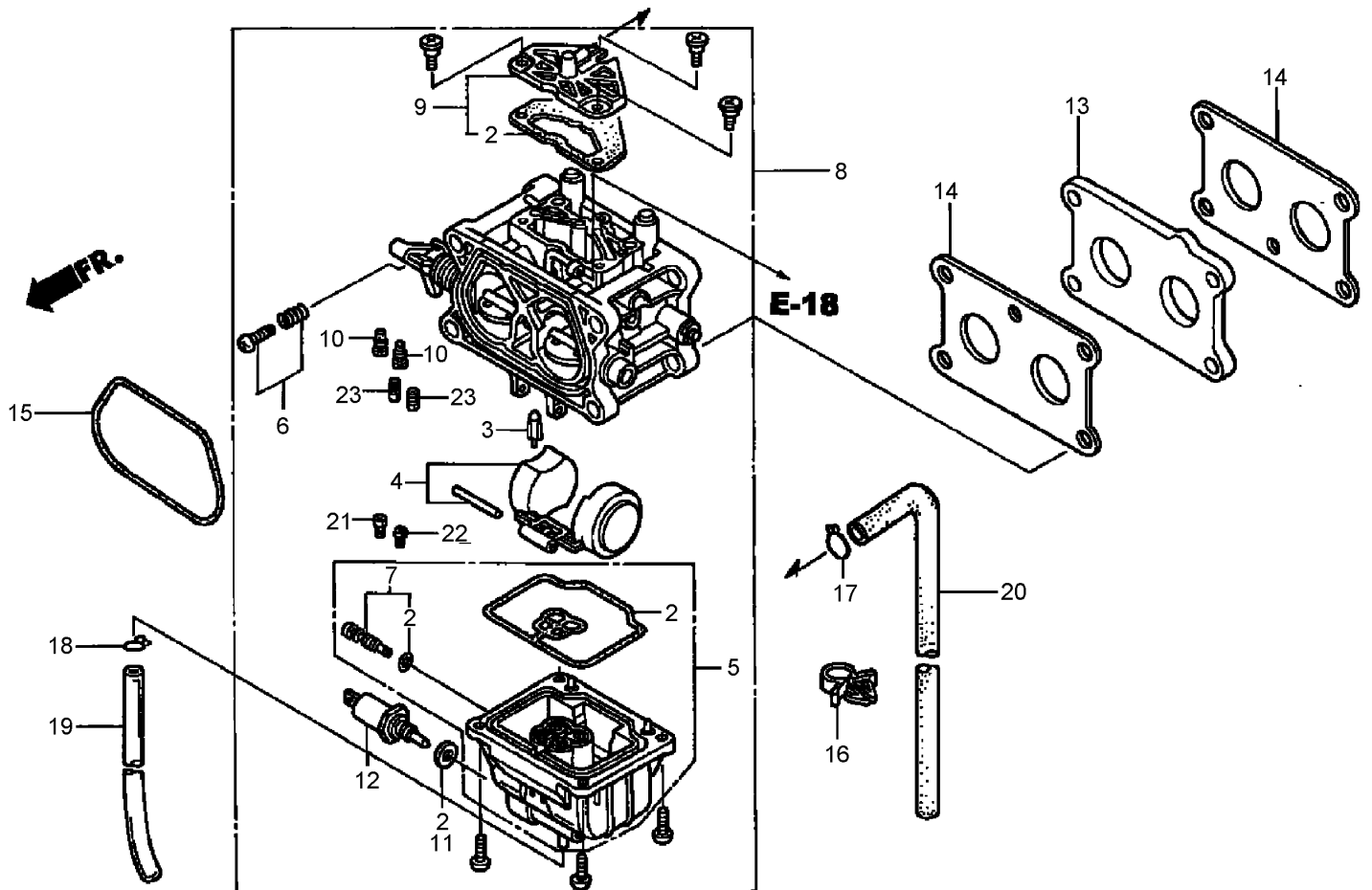
Ref	Part No.	Qty.	Description
❶	14320-Z0A-000	2	Pulley-Camshaft
❷	14324-ZL8-000	2	Shaft-Pulley, Cam
❸	14400-Z0A-003	2	Belt-Timing (97Hu8 G-200)
❹	14431-Z0A-000	2	Arm-Valve Rocker, Intake
❺	14441-Z0A-000	2	Arm-Valve Rocker, Exhaust
❻	14461-Z0A-000	4	Shaft-Arm, Rocker
❼	14711-Z0A-000	2	Valve-Intake
❽	14721-Z0A-000	2	Valve-Exhaust
❾	14751-ZE1-000	4	Spring-Valve
❿	14771-ZE1-000	4	Retainer-Spring, Valve (Intake)
⓫	90012-333-000	4	Screw-Adjusting, Tappet
⓬	90206-001-000	4	Nut-Adjusting, Tappet
⓭	91301-ZM0-V31	2	O-Ring (6.8X19) (Arai)



Fan Cover Assembly Honda GXV530 EXA2LB

Ref	Part No.	Qty.	Description
❶	16711-Z0A-000	1	Stay-Pump, Fuel
❷	17211-Z0A-013	1	Element-Cleaner, Air
❸	17218-Z0A-810	1	Filter (Outer)
❹	17228-Z0A-003	1	Gasket-Cleaner, Air
❺	17229-Z0A-000	1	Seal-Housing, Air Cleaner
❻	17231-Z0A-000	1	Cover-Cleaner, Air
❼	17238-ZJ4-830	4	Collar A-Cleaner, Air
❽	17410-Z0A-010	1	Elbow-Cleaner, Air
❾	19611-Z0A-010ZA	1	Cover-Fan (Nh1) (Black)
❿	19612-Z0A-000	1	Plate-Side
⓫	28452-Z0A-000ZA	1	Grid-Screen Nh105 (Matte Black)
⓬	90004-Z0A-000	2	Bolt (6Mm)
⓭	90013-ZL8-000	2	Bolt-Flange (6X14) (Ct200)

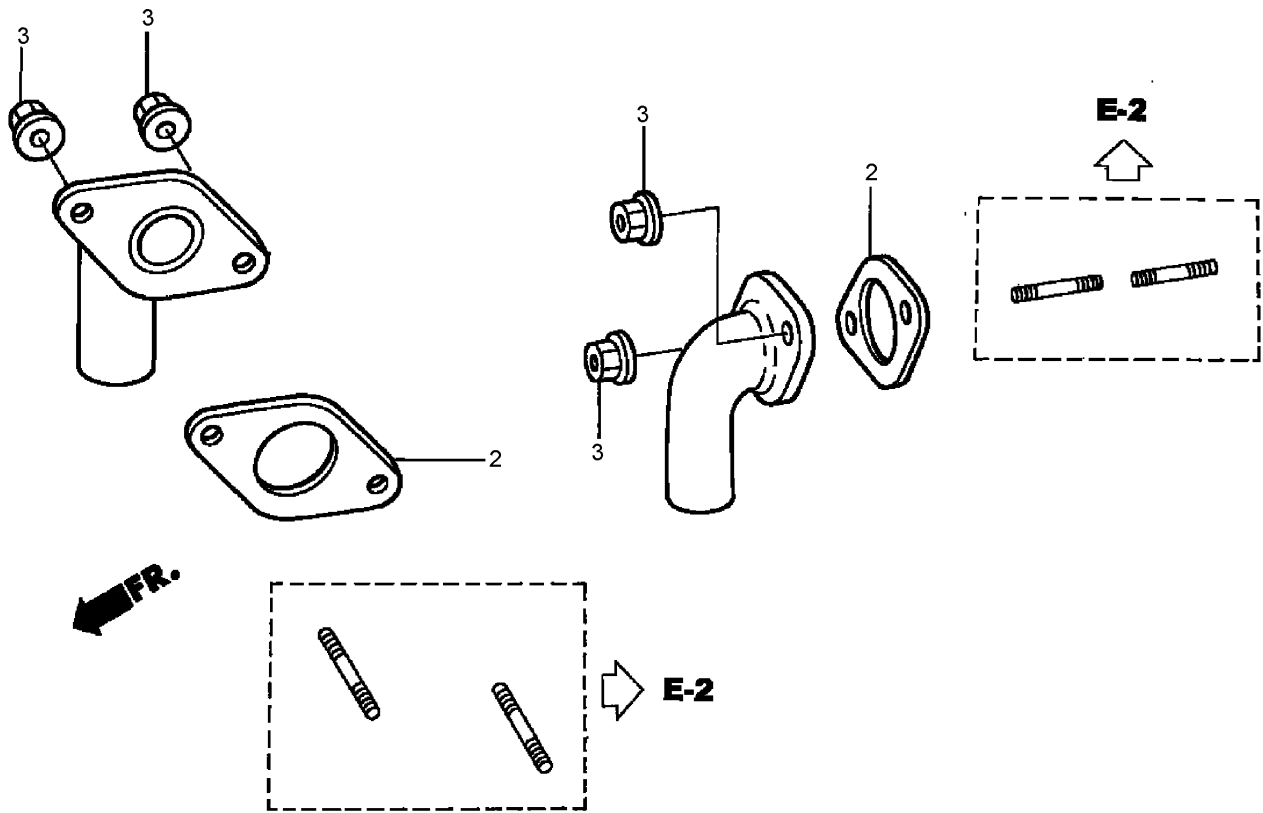
Ref	Part No.	Qty.	Description
⓮	90014-952-000	2	Bolt-Flange (6X14) (C T200)
⓯	90044-Z0A-000	1	Bolt-Stud, Left (Ignition Coil)
⓰	90045-Z0A-000	1	Bolt-Stud, Right (Ignition Coil)
⓱	90201-ZM0-000	2	Nut-Flange (6Mm)
⓲	93913-24410	4	Screw-Tapping (4X16)
⓳	93913-24780	4	Screw-Tapping (4X30) (P0)
⓴	94103-06800	2	Washer-Plain (6Mm)
⓵	95701-06012-00	2	Bolt-Flange (6X12)
⓶	95801-06100-00	4	Bolt-Flange (6X100)
⓷	17212-Z0A-000	1	Grid-Cleaner, Air



Carburetor Assembly Honda GXV530 EXA2LB

Ref	Part No.	Qty.	Description
●2	16010-Z0A-802	1	Gasket Set
●3	16011-Z0A-004	1	Valve-Float
●4	16013-Z0A-004	1	Float Set
●5	16015-Z0A-802	1	Float Chamber Set
●6	16016-Z0A-004	1	Screw-Set
●7	16024-Z0A-004	1	Screw-Set, Drain
●8	16100-Z0A-813	1	Carburetor ASM (Up To Engine Serial No. 1014986)
●8	16100-Z0A-814	1	Carburetor ASM (Bw02B C) (Up To Engine Serial No. 1027210)
●8	16100-Z0A-815	1	Carburetor ASM (Bw02B C) (From Engine Serial No.1027211 To 1061017)
●8	16100-Z0P-V02	1	Carburetor ASM (Bw02C A) (From Engine Serial No. 1061018)
●9	16139-Z0A-004	1	Air Vent Cover Set
●10	16168-Z0A-004	2	Cap
●11	16178-Z0A-802	1	Gasket

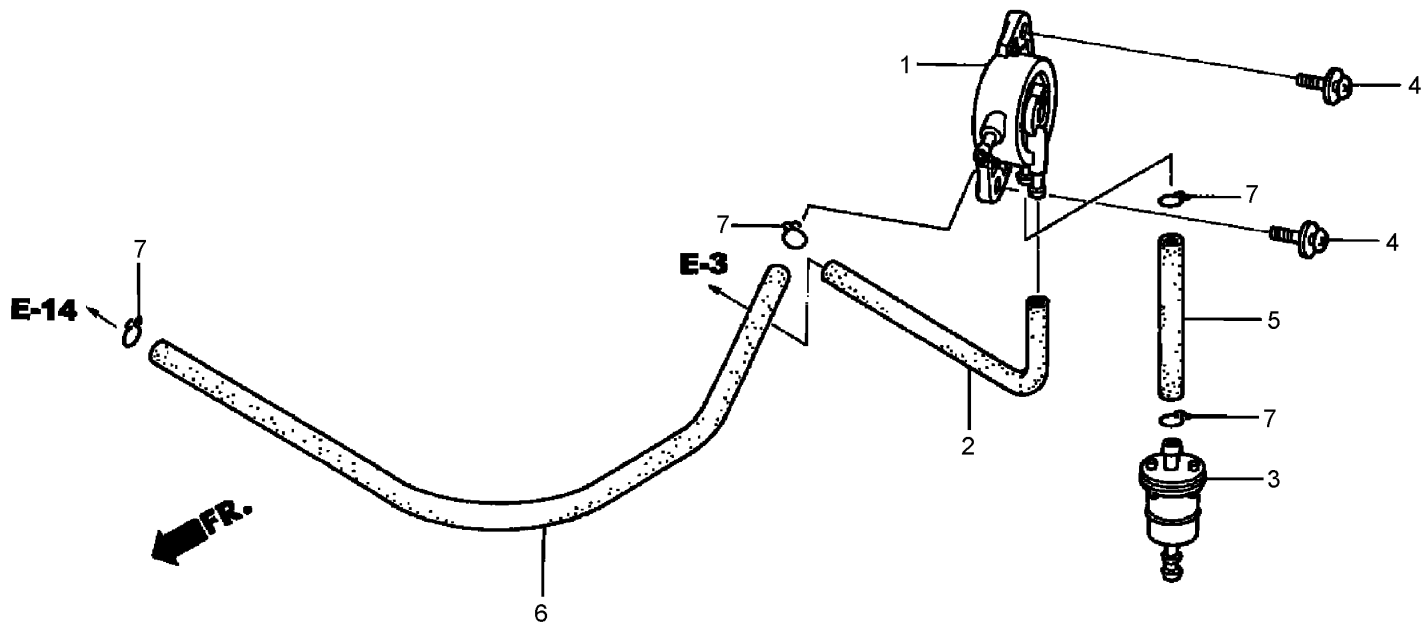
Ref	Part No.	Qty.	Description
●12	16200-Z0A-802	1	Solenoid Valve ASM
●13	16211-Z0A-000	1	Insulator-Carburetor
●14	16212-Z0A-000	2	Gasket-Insulator
●15	17228-Z0A-003	1	Gasket-Cleaner, Air
●16	90659-680-013	1	Clip-Harness, Wire
●17	95002-02080	1	Clip-Tube (B8)
●18	95002-02650	1	Clip-Tube (B6.5)
●19	95003-07008-60M	1	Hose-Bulk, Vinyl (4X7X8000) (4X7X300)
●19	95003-07008-60M	1	Hose-Bulk, Vinyl (4X7X8000) (4X7X300)
●20	95005-45001-20M	1	Hose-Bulk, Vacuum (45X1000) (45X400)
●20	95005-45001-20M	1	Hose-Bulk, Vacuum (45X1000) (45X400)
●21	99131-Z0A-0820	1	Jet-Main (No. 82.5)
●21	99131-Z0A-0850	1	Jet-Main (No. 85)
●21	99131-Z0A-0870	1	Jet-Main (No. 87.5)



Exhaust Pipe Assembly Honda GXV530 EXA2LB

Ref	Part No.	Qty.	Description
●2	18333-Z0A-000	2	Gasket-Pipe, Exhaust
●3	94050-06000	4	Nut-Flange (6 Mm)

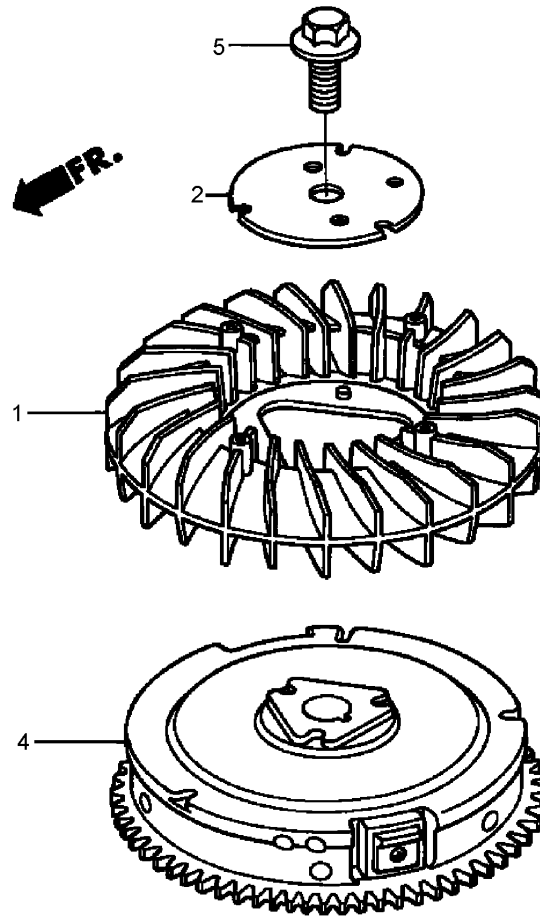
--	--	--	--



Fuel Pump Assembly Honda GXV530 EXA2LB

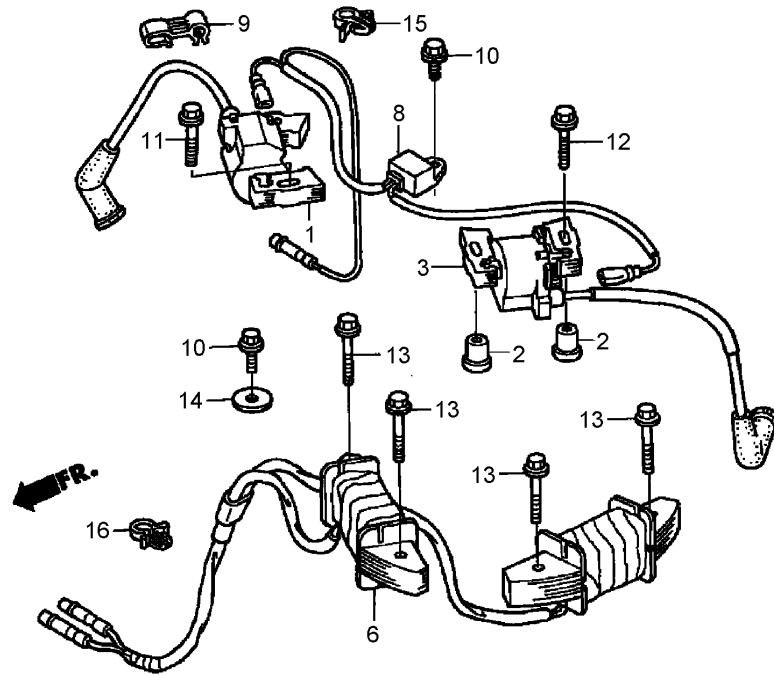
Ref	Part No.	Qty.	Description
❶	16700-ZL8-013	1	Fuel Pump ASM
❷	16882-Z0A-000	1	Tube-Diaphragm
❸	16910-ZV4-015	1	Filter-Fuel
❹	93894-05016-00	2	Screw-Washer (5X16)
❺	95001-55008-60M	1	Fuel-Hose (5.5X8000) (5.5X100)
❻	95001-55008-60M	1	Fuel-Hose (5.5X8000) (5.5X100)
❼	95002-02100	4	Clip-Tube (B10)

--	--	--	--



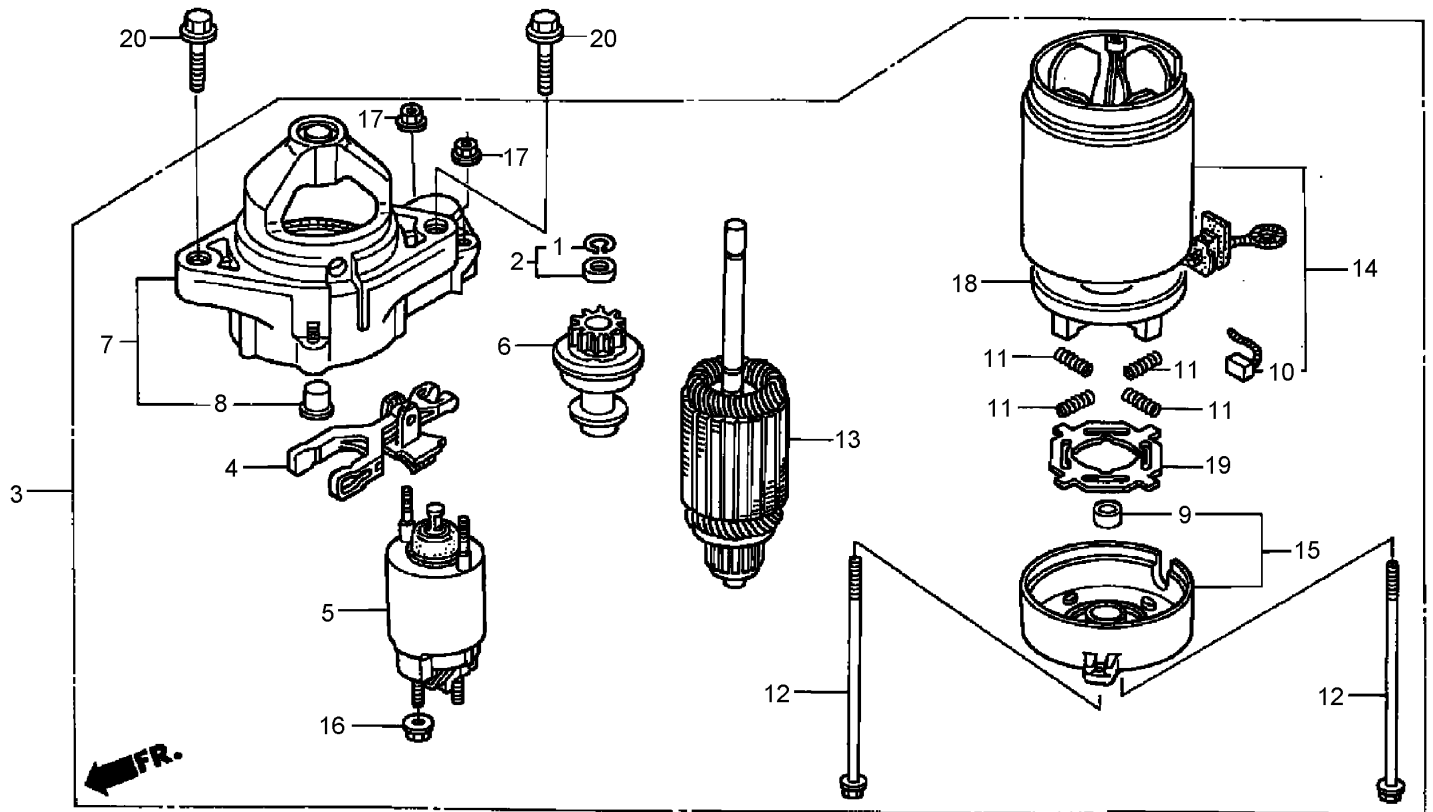
Flywheel Assembly Honda GXV530 EXA2LB

Ref	Part No.	Qty.	Description				
①	19511-Z0A-000	1	Fan-Cooling				
②	19513-Z0A-000	1	Plate-Setting, Cooling Fan				
④	31110-Z0A-800	1	Flywheel (6P)				
⑤	90011-Z0A-000	1	Bolt-Flange (16X35)				



Ignition Coil Assembly Honda GXV530 EXA2LB

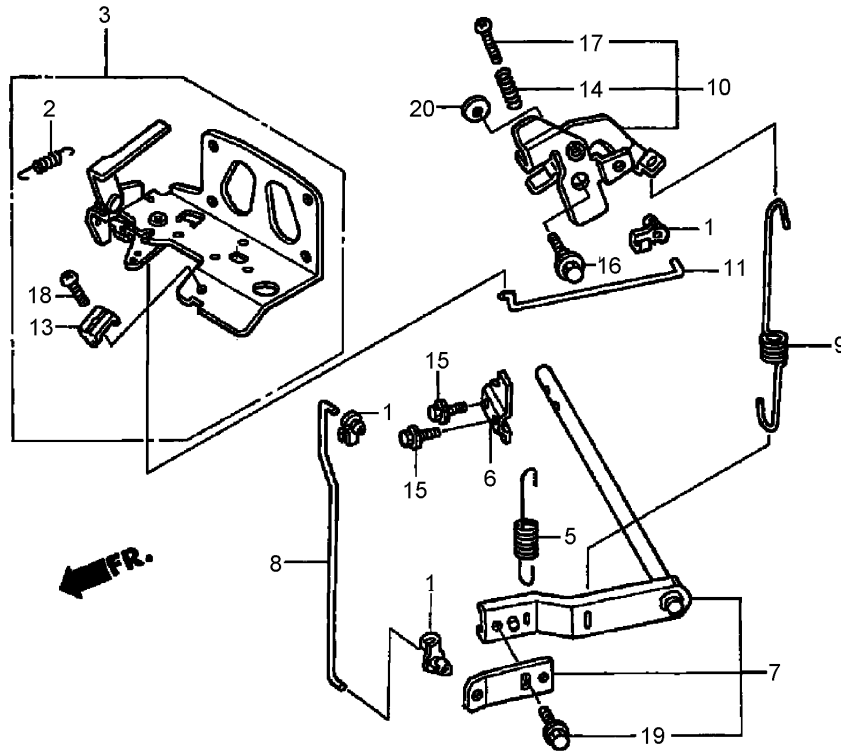
Ref	Part No.	Qty.	Description				
❶	30500-Z0A-013	1	Ignition Coil ASM (No. 1)				
❷	30509-Z0A-000	2	Collar-Coil, Ignition				
❸	30550-Z0A-013	1	Ignition Coil ASM (No. 2)				
❹	31630-Z0A-811	1	Charge Coil ASM (12V-12A)				
❺	31740-Z0A-003	1	Engine Stop Diode ASM				
❻	32768-PJ7-000	1	Clamp-Wire, Center				
❼	90013-883-000	2	Bolt-Flange (6X12) (C T200)				
❽	95701-06028-00	1	Bolt-Flange (6X28)				
❾	90016-ZE8-000	1	Bolt-Flange (6X45) (C T200)				
❿	95701-06032-00	4	Bolt-Flange (6X32)				
⓫	90136-428-870	1	Washer-Setting, Tank				
⓬	90654-SA4-003	1	Clip-Harness, Wire (6Mm) (White)				
⓭	90659-PG6-000	1	Clip-Harness, Wire				



Starter Motor Assembly Honda GXV530 EXA2LB

Ref	Part No.	Qty.	Description
1	30201-PH9-004	1	Ring-Snap (Denso)
2	30202-PZ1-003	1	Clutch Stop Collar Set
3	31200-Z0A-003	1	Starter Motor ASM
4	31203-PH9-004	1	Lever-Drive, Pinion
5	31204-ZG4-801	1	Magnetic Switch ASM
6	31207-Z0A-003	1	Clutch-Overrunning
7	31208-Z0A-003	1	Housing-Drive Side
8	31209-PH9-004	1	Bearing (A)
9	31210-PH9-004	1	Bearing (B)
10	31211-PH9-004	4	Brush
11	31212-PH9-004	4	Spring-Brush
12	31214-PH9-004	2	Bolt-Through
13	31217-Z0A-003	1	Armature

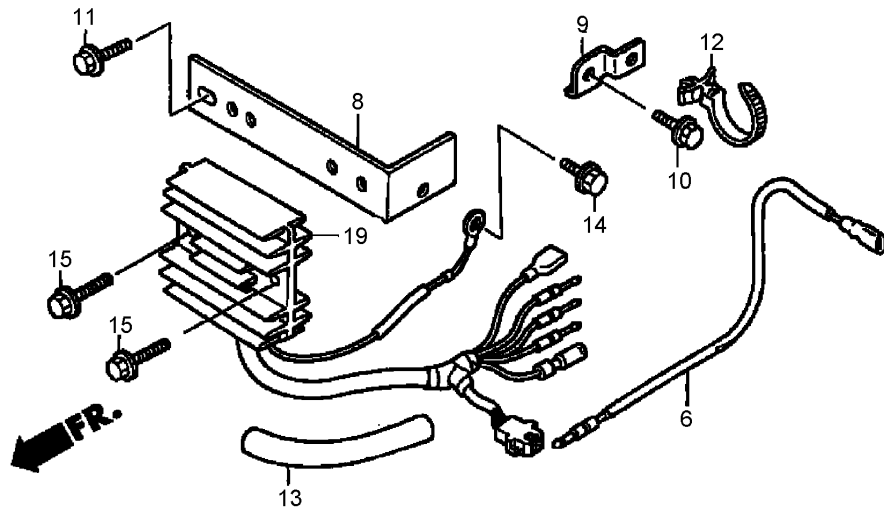
Ref	Part No.	Qty.	Description
14	31218-P64-N01	1	Yoke
15	31219-Z0A-003	1	Frame-End, Commutator
16	31220-PH9-004	1	Nut-Hex (8Mm)
17	31223-PA0-006	2	Nut-Flange (5Mm)
18	31231-PH9-004	1	Holder-Brush
19	31233-PH9-004	1	Insulator-Holder, Brush
20	95701-10040-00	2	Bolt-Flange (10X40)



Control Assembly Honda GXV530 EXA2LB

Ref	Part No.	Qty.	Description
❶	16263-ZJ7-871	3	Rod-Joint
❷	16268-Z0A-300	1	Spring-Return, Choke
❸	16500-Z0A-000	1	Control ASM (1-Lever)
❺	16534-Z0A-000	1	Spring-Starter (Up To Engine Serial No. 1014986)
❺	16534-Z0P-V00	1	Spring-Starter (From Engine Serial No. 1038646)
❻	16542-Z0A-000	1	Fork-Governor
❼	16550-Z0A-000	1	Arm-Governor
❸	16555-Z0A-000	1	Rod-Governor
❹	16561-Z0A-000	1	Spring-Governor
❶	16565-Z0A-000	1	Link-Governor
❶	16566-Z0A-000	1	Rod-Link, Governor
❶	16576-891-000	2	Holder-Cable
❶	16584-883-300	1	Spring-Adjusting, Control

Ref	Part No.	Qty.	Description
❶	90002-892-000	2	Bolt-Flange (5X10)
❶	90015-Z0A-000	1	Bolt-Flange (6Mm) (C T200)
❶	90016-ZG9-N30	1	Screw-Recessed (5X25)
❶	90016-Z0A-V00	2	Screw-Recessed (5X18)
❶	95701-06010-00	1	Bolt-Flange (6X10)
❶	94101-06800	1	Washer-Plain (6Mm)



Regulator Rectifier and Sub-Wire Harness Assembly Honda GXV530 EXA2LB

Ref	Part No.	Qty.	Description
⑥6	32105-Z0A-000	1	Sub-Wire Harness ASM
⑧8	31758-Z0A-800	1	Bracket-Regulator
⑨9	35806-752-630	1	Base-Clip
⑩10	90013-883-000	1	Bolt-Flange (6X12) (C T200)
⑪11	90014-952-000	2	Bolt-Flange (6X14) (C T200)
⑫12	90672-SB2-003	1	Strap-Cable (105Mm) (N H1 Black)
⑬13	91406-ZB3-740	1	Tube-Wire
⑭14	95701-06008-00	1	Bolt-Flange (6X8)
⑮15	95701-06020-00	2	Bolt-Flange (6X20)
⑰19	31750-Z0A-V01	1	Regulator Rectifier ASM

--	--	--	--

Attachments and Accessories

For 81245 - Precision Z340 HLX Riding Mower

Product Name	Model/Part
Tire Chains	107-1738
42 Inch Mulching Kit	108-7194
Smooth Tire Kit	108-8501
42 Inch Twin Bagger	62560
48 Inch Snow Blade	63600

NOTES

