



## TimeCutter™ Z420 Riding Mower

Model No. 74403 - 260000001 and up.

### Parts Catalog

---

#### Ordering Replacement Parts

To order replacement parts, please supply the part number, the quantity, and the description of each part desired.

#### Understanding Reference Numbers

Each identified part in an illustration has a reference number. The reference number for a part also appears in the parts list, along with other information about the part.

This catalog uses two special reference number formats, one to indicate parts in a service assembly and another to indicate the quantity of a given part in an illustration.

#### Service Assembly Reference Numbers

Parts in service assemblies have reference numbers in the form a:b. The a represents the reference number of the entire service assembly and the b represents a sequential number unique to each part within the service assembly.

For example, a wheel assembly might be identified by reference number 6, the tire by 6:1, the valve by 6:2, and the wheel by 6:3. When you order the assembly identified by reference number 6, you receive all parts identified by reference numbers 6:1, 6:2, and 6:3. However, you may also order any part individually. Reference numbers of this type appear in illustrations and in part lists.

#### Reference Numbers Indicating Quantity

In an illustration, if a reference number indicates more than one part, the reference number has the form nX y. The n represents the quantity of the part, the X is the multiplication symbol, and the y represents the reference number.

For example, in an illustration, the reference number 2X 37 means that two of the parts identified by reference number 37 are indicated.

# Contents

Description	Page	Description	Page
Frame Assembly	..... 3	Crankshaft Assembly Briggs and Stratton 280h07-0166-e1	..... 20
Seat Assembly	..... 4	Crankcase Assembly Briggs and Stratton 280h07-0166-e1	..... 21
Control Assembly	..... 5	Oil Filter, Tube and Pump Assembly Briggs and Stratton 280h07-0166-e1	..... 22
Hydro and Belt Drive Assembly	..... 6	Carburetor Assembly Briggs and Stratton 280h07-0166-e1	..... 23
LH Hydrostat Assembly Part No. 108-2394	..... 7	Governor Assembly Briggs and Stratton 280h07-0166-e1	..... 24
RH Hydrostat Assembly Part No. 108-2393	..... 9	Blower Housing Assembly Briggs and Stratton 280h07-0166-e1	..... 25
Engine Assembly	..... 11	Starter Assembly Briggs and Stratton 280h07-0166-e1	..... 26
Styling Assembly	..... 12	Gasket Assembly Briggs and Stratton 280h07-0166-e1	..... 27
42in Deck Assembly	..... 13	Carburetor Overhaul Kit Assembly Briggs and Stratton 280h07-0166-e1	..... 28
42in Deck Assembly No. 110-1890	..... 14	Attachments and Accessories List	..... 29
Recycler Assembly	..... 15		
Spindle and Belt Drive Assembly	..... 16		
Electrical Assembly	..... 17		
Cylinder Assembly Briggs and Stratton 280h07-0166-e1	..... 18		
Cylinder Head Assembly Briggs and Stratton 280h07-0166-e1	..... 19		

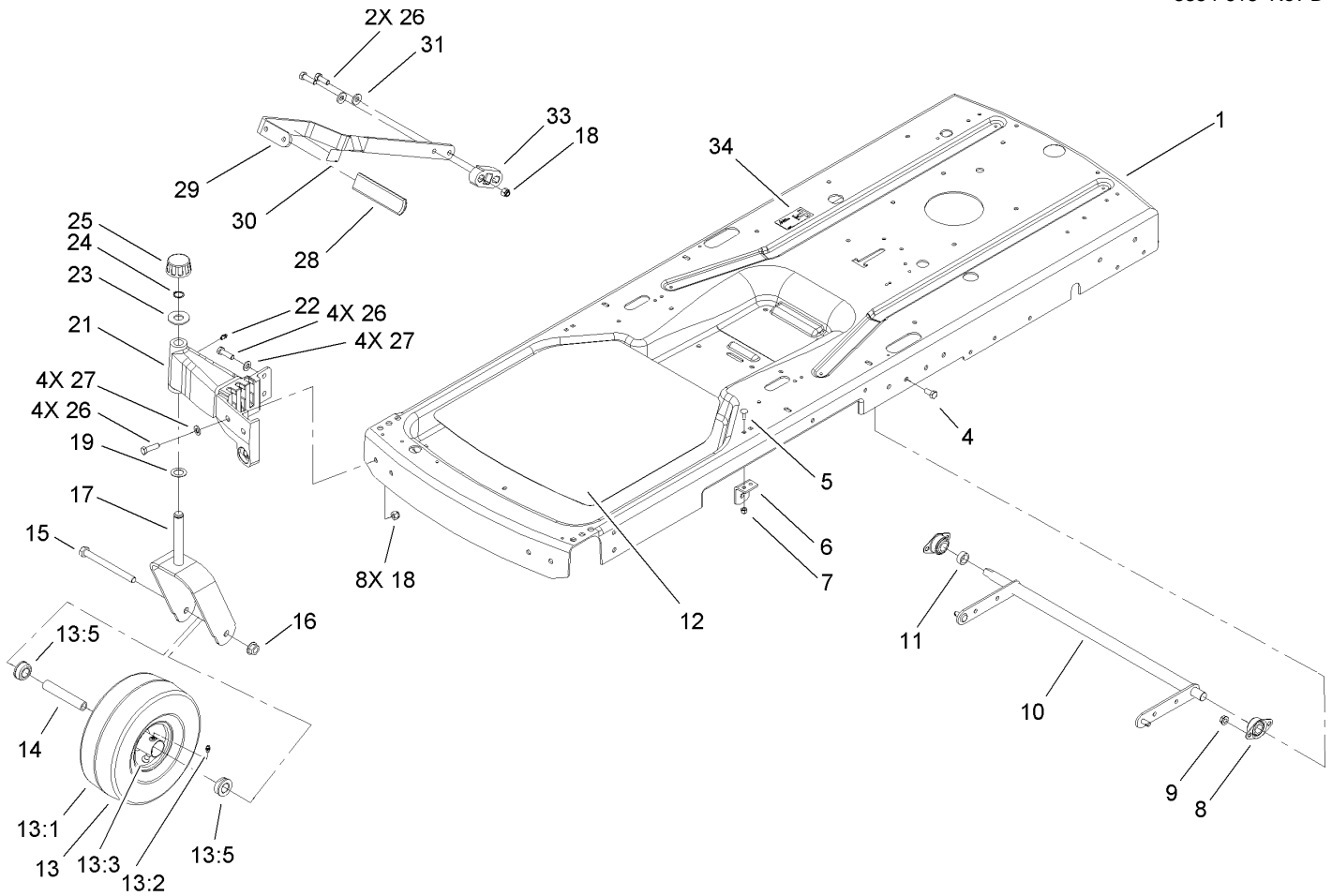
## Part Description Abbreviations

Part descriptions in this catalog may include the following abbreviations.

AR. .... as required	HYD. .... hydraulic
ASM. .... assembly	LH. .... left hand
BBC. .... blade brake clutch	NI. .... nylon insert
CARR. .... carriage	NPTF. .... national pipe thread fine
DEG. .... degrees	PFH. .... phillips flat head
EXT. .... external	PPH. .... phillips pan head
FH. .... flat head	PPHTF. .... phillips pan head thread forming
GA. .... gauge	PRH. .... phillips round head
HD. .... heavy-duty	PTH. .... phillips truss head
HF. .... hex flange	PTO. .... power-take-off
HH. .... hex head	RH. .... right hand
HHF. .... hex head flange	ROPS. .... roll-over protection system
HHFTF. .... hex head flange thread forming	SFH. .... slotted fillister head
HJ. .... hex jam	SHH. .... slotted hex head
HLH. .... hex lag head	SHWH. .... slotted hex washer head
HOC. .... height-of-cut	SPH. .... slotted pan head
HSBH. .... hex socket button head	SQH. .... square head
HSFH. .... hex socket flat head	SRH. .... slotted round head
HSH. .... hex socket head	STD. .... standard
HWH. .... hex washer head	TAP. .... self tapping
HWHTF. .... hex washer head thread forming	TTH. .... torx truss head

## Footnotes

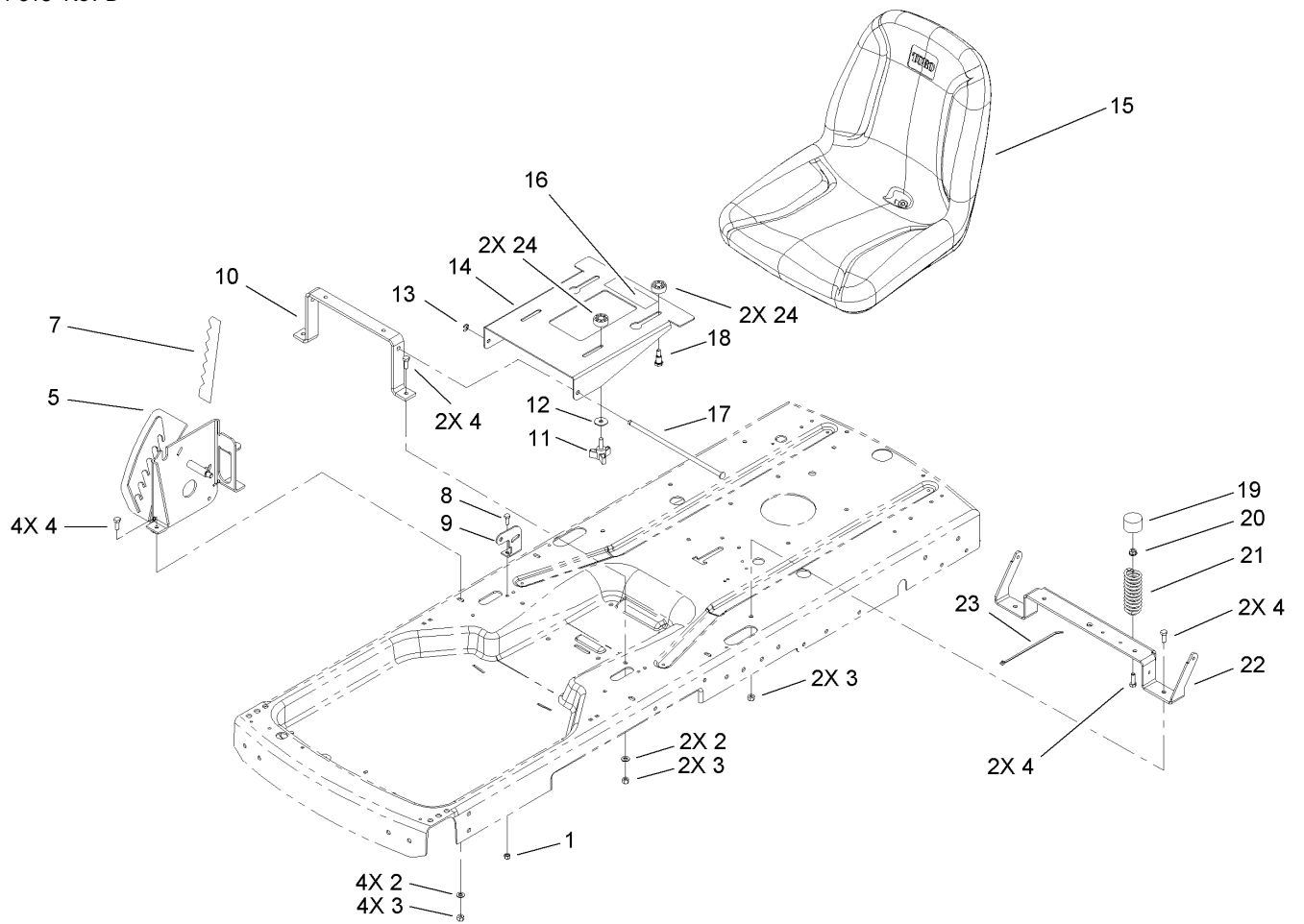
- |   |   |
|---|---|
| ❶ Not illustrated                                 | ❷ Not serviced separately                     |
| ❸ Included in Engine Gasket Set-Ref. 358.         | ❹ Included in Valve Gasket Set-Ref. 1095.     |
| ❺ Included in Carburetor Overhaul Kit-Ref. 121.   | ❻ Included in Carburetor Gasket Set-Ref. 977. |
| ❼ Obtain from your local Briggs & Stratton dealer |   |



## Frame Assembly

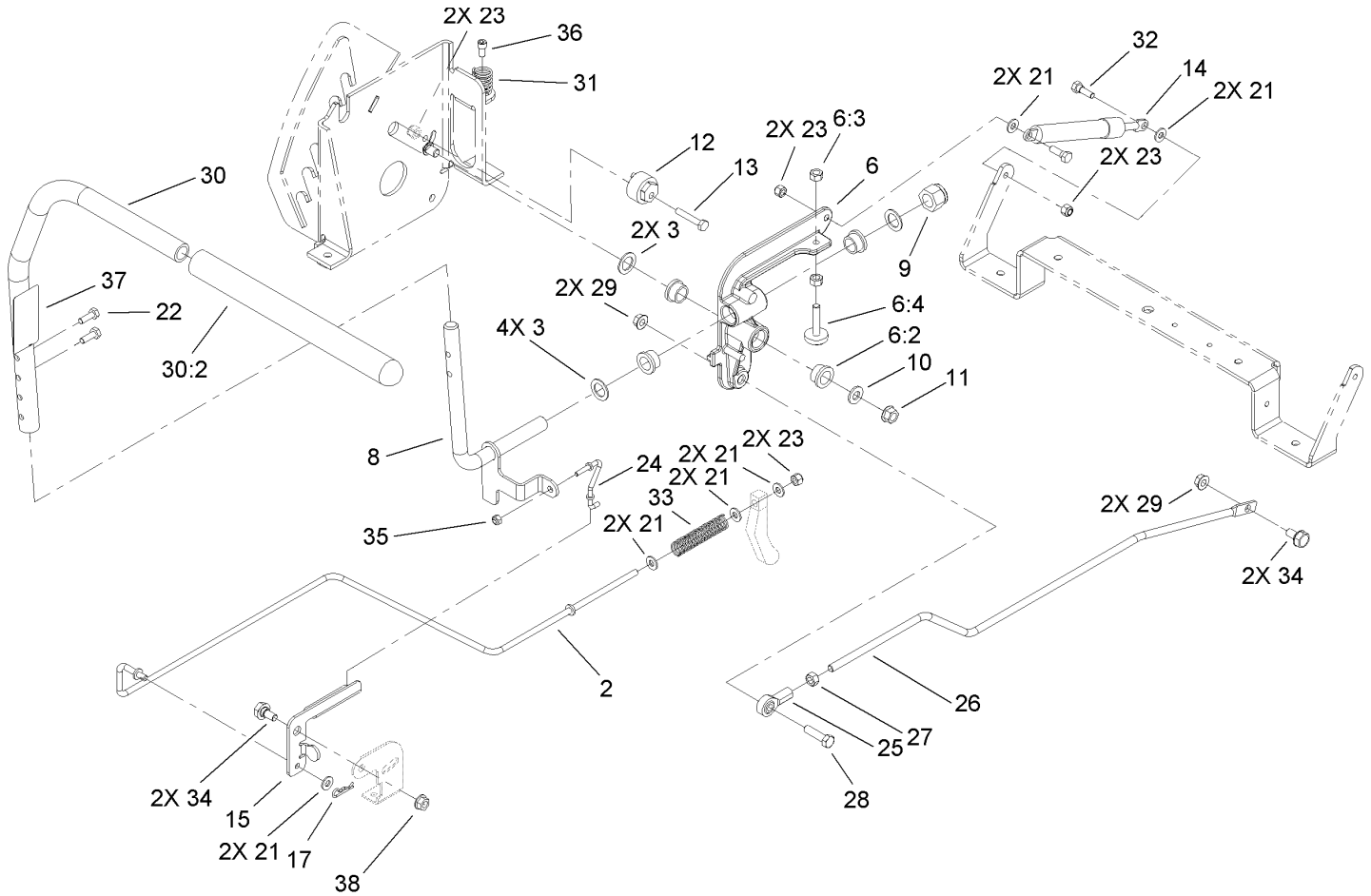
Ref	Part No.	Qty.	Description
1	108-2325-01	1	Frame
4	323-4	4	Screw-HH
5	3229-1	4	Screw-CARR
6	105-3439	2	Bracket-Lift
7	3296-42	4	Nut-Lock, NI
8	1-633102	2	Bearing-Flange, Side
9	3290-357	4	Nut-HHF, Whiz
10	105-3499-03	1	Lift Arm ASM
11	106-2222	1	Spacer
12	105-3460	1	Pad-Antiskid
13	105-3471	2	Front Wheel And Tire ASM
13:1	105-1943	1	Tire
13:2	302-5	1	Fitting-Grease
13:3	232-27	1	Stem-Valve
13:5	114-1640	2	Bushing-Flange
13:99	93-4244	1	Tube-Inner (W/Valve)
14	104-3667	2	Spanner-Wheel
15	325-22	2	Screw-HH
16	32128-23	2	Nut-HF
17	107-9119-01	2	Castor Fork ASM
18	3296-39	9	Nut-Lock, NI
19	3-6498	2	Washer-Thrust
20	105-6986-01	1	Caster-LH
21	105-6985-01	1	Castor-RH

Ref	Part No.	Qty.	Description
22	302-5	2	Fitting-Grease
23	28-2480	2	Washer
24	32151-103	2	Ring-Snap
25	61-9780	2	Cap-Hub
26	323-18	10	Screw-HH
27	3256-24	8	Washer-Flat
28	105-3450	1	Grip-Lever, Lift
29	108-2317-03	1	Lever-Lift
30	106-8743	1	Decal
31	98-5975	2	Washer-Belleville
33	106-2211	1	Block-Lift
34	108-6109	1	Decal-Transport, Ce



## Seat Assembly

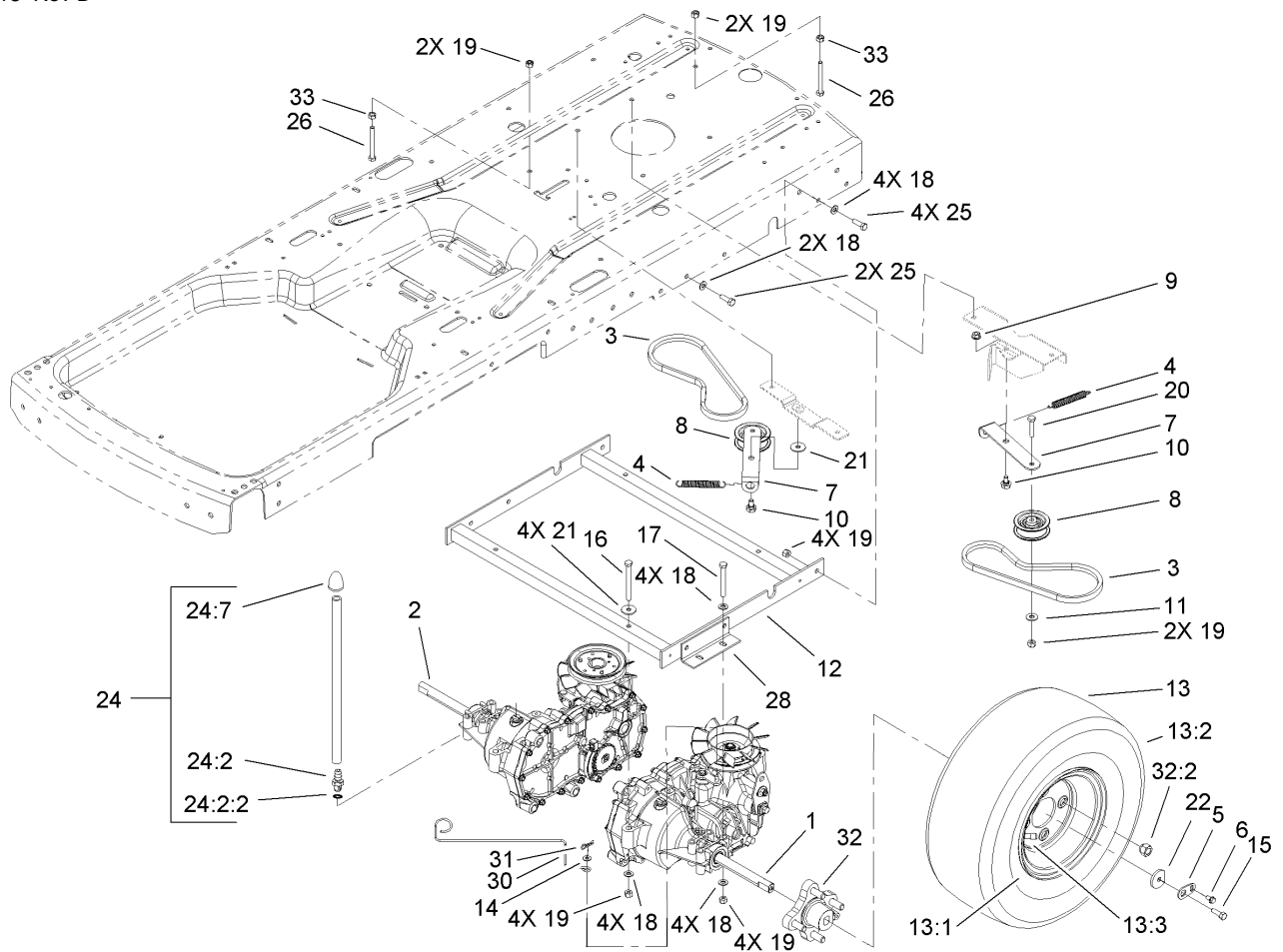
Ref	Part No.	Qty.	Description
1	3296-42	4	Nut-Lock, NI
2	3256-23	6	Washer-Flat
3	3296-29	12	Nut-Lock, NI
4	322-4	14	Screw-HH
5	106-2158-03	1	RH Plate ASM
6	106-2159-03	1	LH Plate ASM
7	106-2223	1	Decal-HOC
8	321-4	4	Screw-HH
9	106-2180	2	Bracket-Bellcrank
10	105-6954-03	1	Brace-Seat, Front
11	106-2240	2	Knob
12	5-4460	2	Washer-Pivot
13	105-7004	1	E-Ring
14	105-6953-03	1	Bracket-Seat
15	108-2329	1	Seat
16	106-8717	1	Decal-Service
17	105-6955	1	Pin-Pivot
18	613529	2	Screw Shoulder
19	701178	2	Cap-Protector
20	32128-25	2	Nut-HF
21	92-7054	2	Spring-Compression
22	108-2358-03	1	Brace-Seat, Rear
23	614249	1	Strap-Tie
24	107-4902	4	Spacer-Nylon

## Control Assembly

Ref	Part No.	Qty.	Description
1	105-7045	1	Rod-Brake, LH
2	105-7044	1	Rod-Brake, RH
3	105-3481	6	Washer-Thrust
5	110-1869	1	LH Activator Arm ASM
5:2	105-3455	4	Bushing
5:3	3217-6	2	Nut-Hex
5:4	105-3486	1	Stop-Adjustment
6	110-1870	1	RH Activator Arm ASM
6:2	105-3455	4	Bushing
6:3	3217-6	2	Nut-Hex
6:4	105-3486	1	Stop-Adjustment
7	105-3488	1	LH Pivot Shaft ASM
8	105-3487	1	RH Pivot Shaft ASM
9	3296-53	2	Nut-Lock, NI
10	3256-24	2	Washer-Flat
11	3296-59	2	Nut-Lock, NI
12	107-4874	2	Eccentric
13	321-9	2	Screw-HH
14	103-2913	2	Damper-Control, Motion
15	106-2181	2	Bellcrank
17	1-806003	2	Pin-Hair
21	3256-22	12	Washer-Flat
22	321-4	4	Screw-HH
23	3296-42	8	Nut-Lock, NI

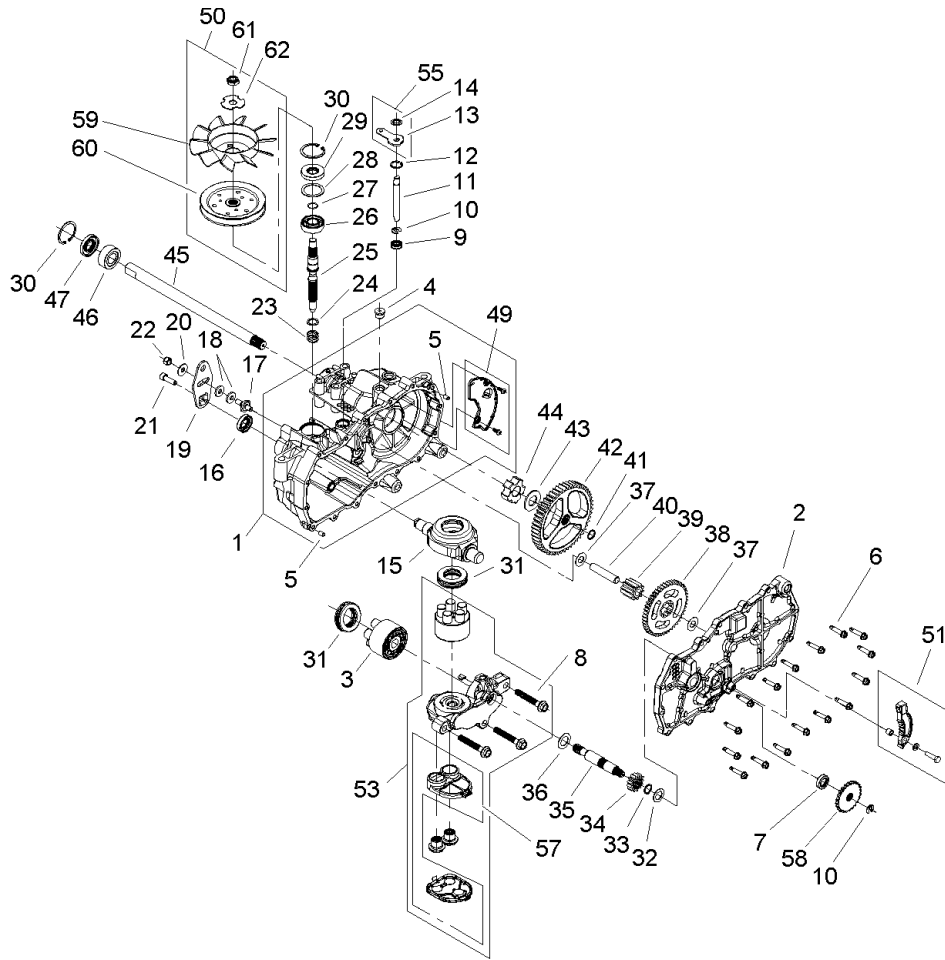
Ref	Part No.	Qty.	Description
24	106-2179	2	Link-Brake
25	1-543017	2	Balljoint-RH
26	105-7048	2	Rod-Hydro
27	3219-2	2	Nut-Hex
28	322-6	2	Screw-HH
29	32128-20	4	Nut-HF
30	106-2242	2	Handle ASM
30:2	1-633257	1	Grip-Control, Motion
31	105-3469	2	Spring-Compression
32	106-2214	4	Bolt-Shoulder
33	105-3465	2	Spring-Compression
34	37-8771	4	Bolt-Shoulder
35	3296-2	2	Nut-Lock
36	3274-52	2	Screw-HSH
37	106-8742	2	Decal
38	32128-25	2	Nut-HF



## Hydro and Belt Drive Assembly

Ref	Part No.	Qty.	Description
1	108-2394	1	Transaxle-Hydro, LH
2	108-2393	1	Transaxle-Hydro, RH
3	106-2174	2	V-Belt
4	95-3805	2	Spring
5	105-3438	2	Tab-Locking
6	3234-13	2	Screw-HHF
7	105-7047	2	Arm-Idler
8	106-2176	2	Pulley-Idler
9	32128-25	1	Nut-HF
10	37-8770	2	Bolt-Shoulder
11	3256-3	2	Washer-Flat
12	107-4878-03	1	Hydro Mount ASM
13	106-7004	2	Wheel And Tire ASM
13:1	242-76	1	Rim
13:2	106-7006	1	Tire
13:3	232-27	1	Stem-Valve
13:99	107-2491	1	Tube-Tire
14	3256-1	2	Washer-Flat
15	3210-5	2	Screw-HH
16	322-20	4	Screw-HH
17	322-13	4	Screw-HH
18	3256-23	18	Washer-Flat
19	3296-29	18	Nut-Lock, NI
20	322-7	2	Screw-HH

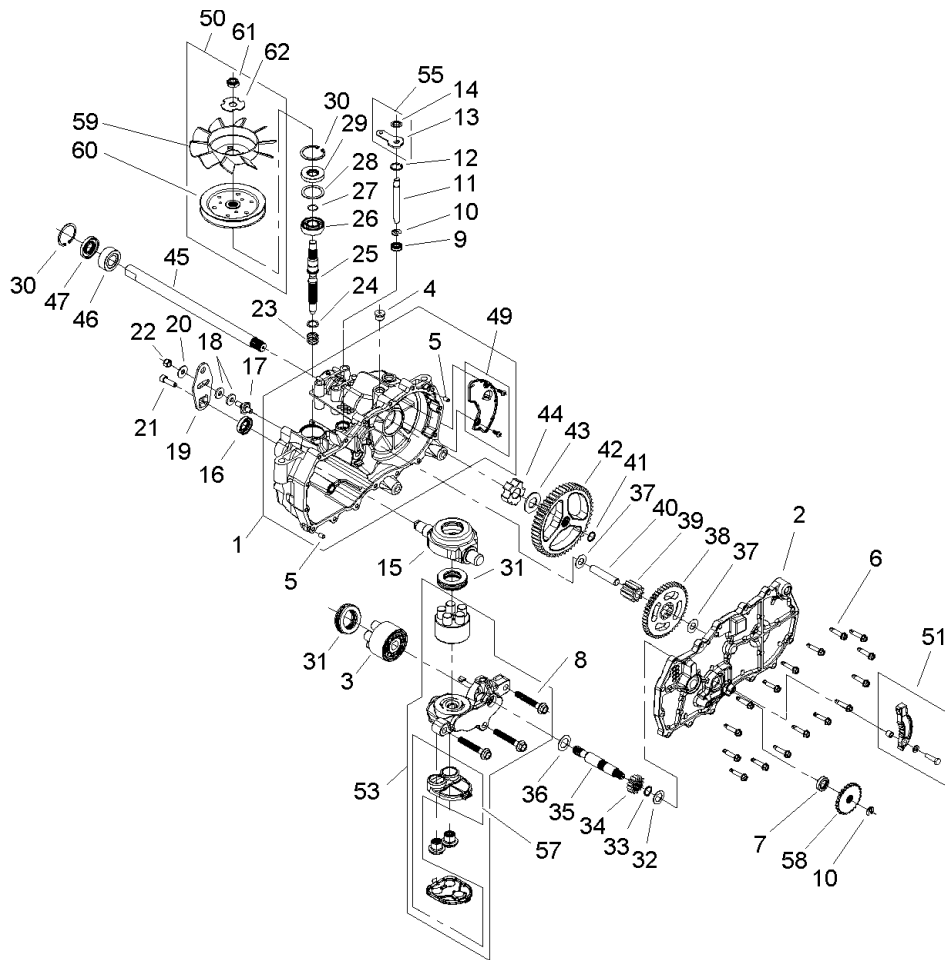
Ref	Part No.	Qty.	Description
21	5-4460	5	Washer-Pivot
22	106-7001	2	Washer-Wheel
24	106-7002	2	Vent Hose ASM
24:2	93-3818	1	Fitting ASM
24:2:2	93-3816	1	O-Ring
24:7	107-1701	1	Cap Vent ASM
25	322-5	6	Screw-HH
26	322-13	2	Screw-HH
28	105-7039-03	2	Support-Hydro
30	107-4875	2	Rod-Bypass
31	1-806003	2	Pin-Hair
32	108-9533	2	Hub ASM
32:2	242-50	4	Nut-Lug
33	3217-6	2	Nut-Hex



## LH Hydrostat Assembly Part No. 108-2394

Ref	Part No.	Qty.	Description
1	106-8695	1	RH Main Housing ASM
2	106-8696	1	RH Side ASM
3	103-2666	1	Cylinder Block Kit
4	104-2189	1	Plug-Thread, Straight
5	104-2170	2	Pin
6	104-5305	16	Screw-HHF
7	104-5347	1	Seal-Oil
8	94-6926	3	Bolt
9	106-8676	1	Seal-Lip
10	106-8677	2	Ring-Retaining, EXT
11	106-8678	1	Rod-Bypass
12	106-8679	1	Ring-Retaining, Int
13	107-2490	1	Arm-Bypass
14	106-8681	1	Ring-Retaining, EXT
15	104-5304	1	Swashplate-Trunnion
16	104-5313	1	Seal-Lip
17	104-2116	1	Stud
18	105-1873	2	Puck-Friction
19	106-8747	1	Arm-Control
20	5-4460	1	Washer-Pivot
21	107-2488	1	Screw
22	105-1872	1	Nut
23	94-1936	1	Spring-Block
24	94-1937	1	Washer-Block, Thrust

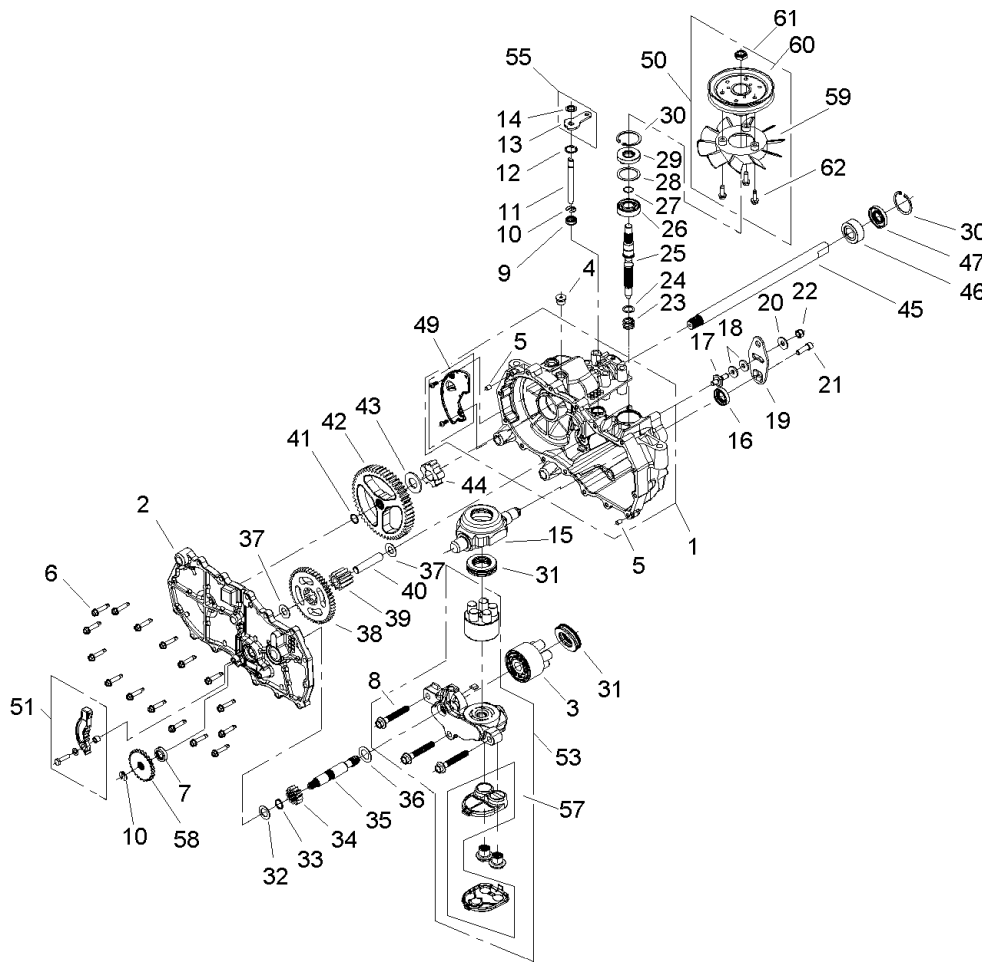
Ref	Part No.	Qty.	Description
25	104-5306	1	Shaft-Input
26	104-5311	1	Bearing-Ball
27	104-5307	1	Ring-Retaining
28	104-5308	1	Spacer
29	104-5310	1	Seal-Lip
30	104-5309	2	Ring-Retaining
31	94-6922	2	Bearing-Thrust
32	104-5339	1	Washer-Flat
33	104-5340	1	Ring-Retaining
34	104-5316	1	Gear-Pinnion, 13T
35	106-8683	1	Shaft-Motor
36	104-5360	1	Washer-Shaft, Motor
37	94-1933	2	Washer
38	104-5317	1	Gear
39	104-5318	1	Gear-Jackshaft, 10T
40	104-5329	1	Pin-Jackshaft
41	104-5328	1	Ring-Retaining, Spiral
42	106-8684	1	Gear-Bull, 52T
43	94-1943	1	Washer
44	104-5320	1	Bearing-Sleeve
45	106-8685	1	Axle
46	104-5321	1	Bearing-Sleeve, Outboard
47	104-5322	1	Seal-Lip
48	106-8686	1	Seal Kit



## LH Hydrostat Assembly Part No. 108-2394 (continued)

Ref	Part No.	Qty.	Description
49	106-8697	1	RH Expansion Plate Kit
50	106-8698	1	Fan Pulley Kit
51	106-8688	1	Brake Arm Kit
53	108-6190	1	RH 7-Piston Center Section Kit
54	104-2147	1	Sealant
55	107-2489	1	Bypass Arm Kit
57	106-8693	1	Filter Kit
58	106-8694	1	Disc-Brake, Cog
59	110-8566	1	Fan-6 Inch, 10 Blade
60	104-1754	1	Pulley
61	105-1875	1	Nut-Lock
62	107-9122	3	Washer-Slotted

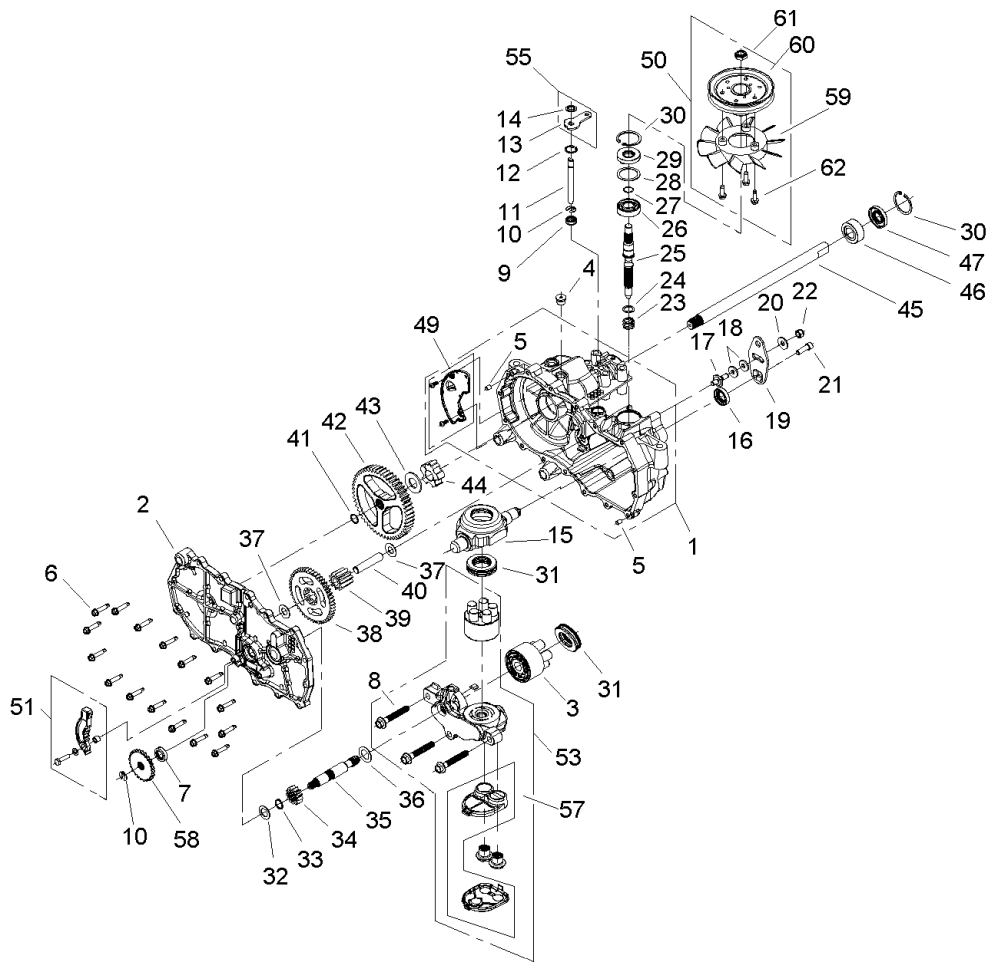
--	--	--	--



## RH Hydrostat Assembly Part No. 108-2393

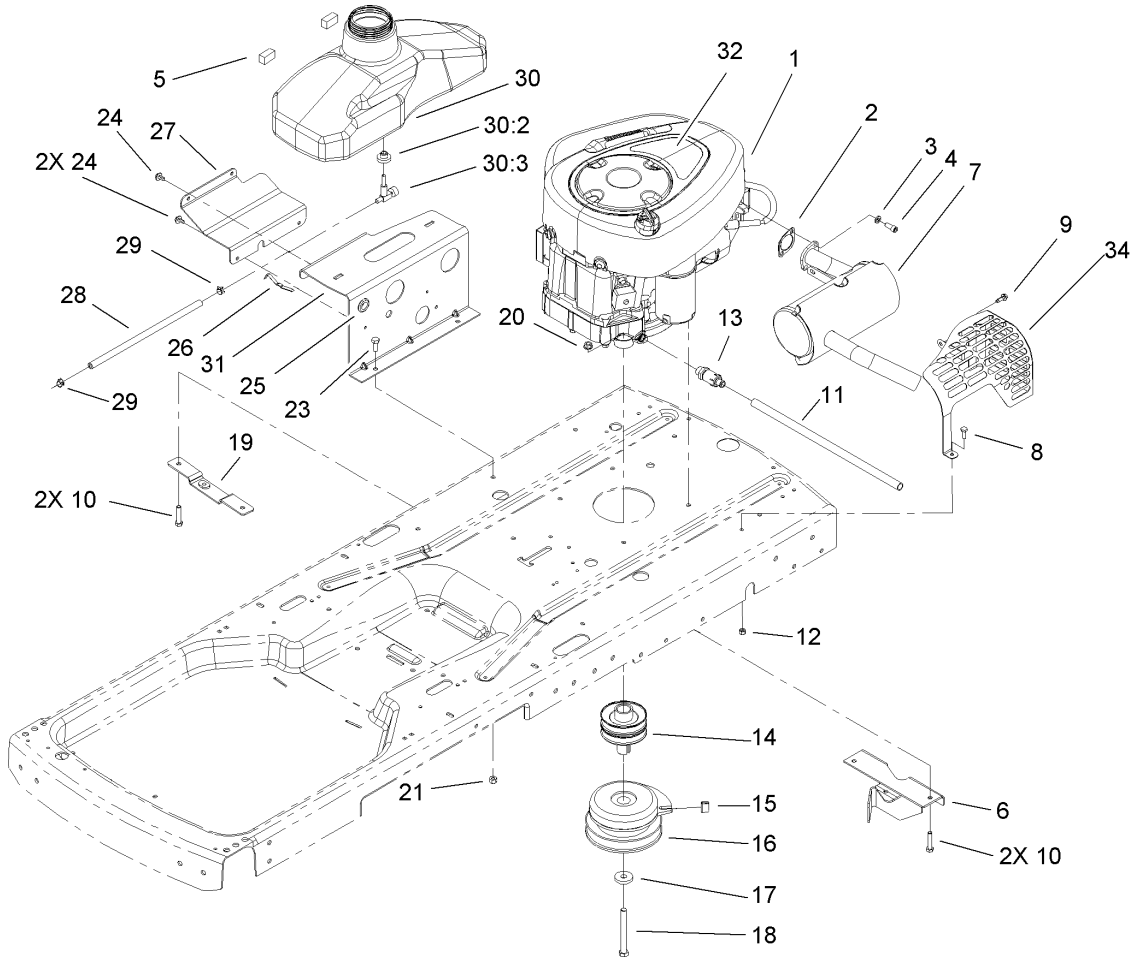
Ref	Part No.	Qty.	Description
1	106-8674	1	LH Main Housing ASM
2	106-8675	1	LH Side ASM
3	104-2106	1	Cylinder Block ASM
4	104-2189	1	Plug-Thread, Straight
5	104-2170	2	Pin
6	104-5305	16	Screw-HHF
7	104-5347	1	Seal-Oil
8	94-6926	3	Bolt
9	106-8676	1	Seal-Lip
10	106-8677	2	Ring-Retaining, EXT
11	106-8678	1	Rod-Bypass
12	106-8679	1	Ring-Retaining, Int
13	107-2490	1	Arm-Bypass
14	106-8681	1	Ring-Retaining, EXT
15	104-5304	1	Swashplate-Trunnion
16	104-5313	1	Seal-Lip
17	104-2116	1	Stud
18	105-1873	2	Puck-Friction
19	106-8747	1	Arm-Control
20	5-4460	1	Washer-Pivot
21	107-2488	1	Screw
22	105-1872	1	Nut
23	94-1936	1	Spring-Block
24	94-1937	1	Washer-Block, Thrust

Ref	Part No.	Qty.	Description
25	104-5306	1	Shaft-Input
26	104-5311	1	Bearing-Ball
27	104-5307	1	Ring-Retaining
28	104-5308	1	Spacer
29	104-5310	1	Seal-Lip
30	104-5309	2	Ring-Retaining
31	94-6922	2	Bearing-Thrust
32	104-5339	1	Washer-Flat
33	104-5340	1	Ring-Retaining
34	104-5316	1	Gear-Pinion, 13T
35	106-8683	1	Shaft-Motor
36	104-5360	1	Washer-Shaft, Motor
37	94-1933	2	Washer
38	104-5317	1	Gear
39	104-5318	1	Gear-Jackshaft, 10T
40	104-5329	1	Pin-Jackshaft
41	104-5328	1	Ring-Retaining, Spiral
42	106-8684	1	Gear-Bull, 52T
43	94-1943	1	Washer
44	104-5320	1	Bearing-Sleeve
45	106-8685	1	Axle
46	104-5321	1	Bearing-Sleeve, Outboard
47	104-5322	1	Seal-Lip
48	106-8686	1	Seal Kit



### RH Hydrostat Assembly Part No. 108-2393 (continued)

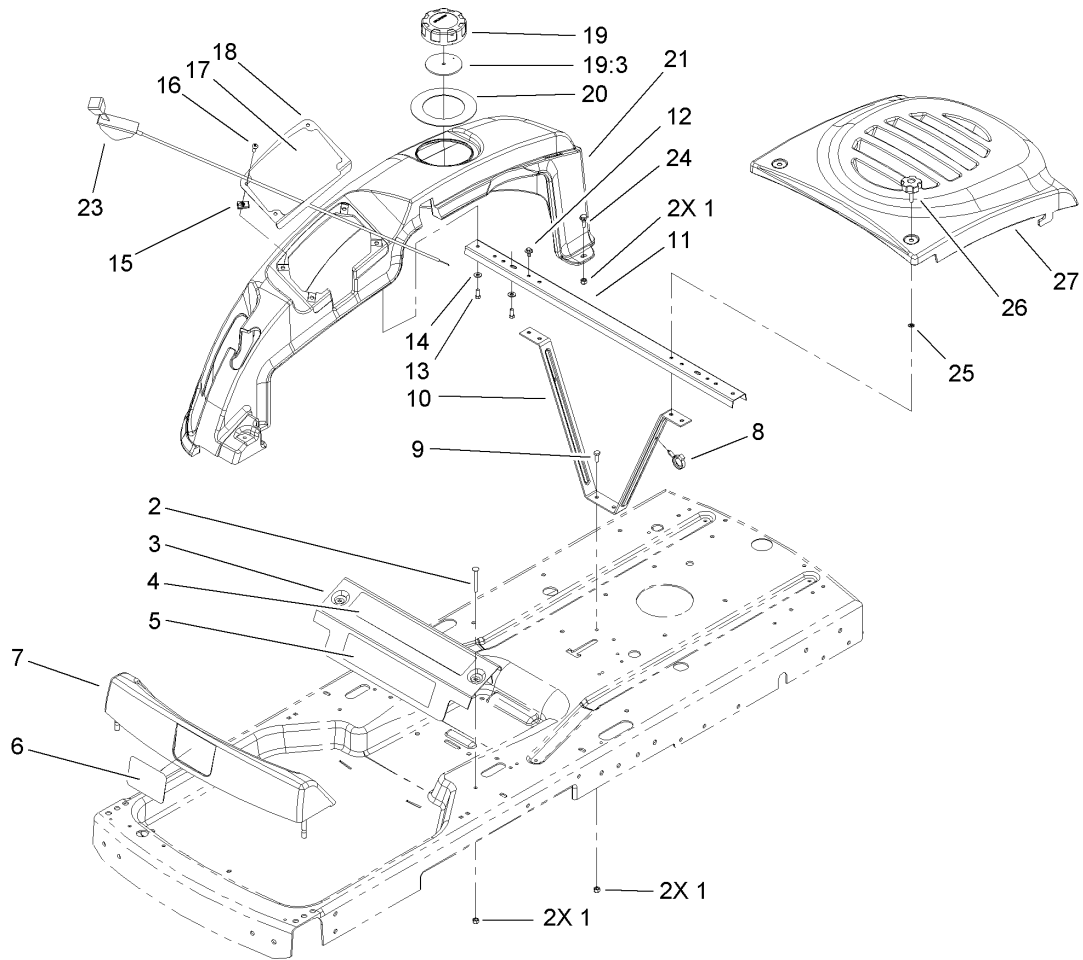
Ref	Part No.	Qty.	Description
49	106-8687	1	LH Expansion Plate Kit
50	105-1928	1	Fan Pulley Kit
51	106-8688	1	Brake Arm Kit
53	108-6189	1	LH 7-Piston Center Section Kit
54	104-2147	1	Sealant
55	107-2489	1	Bypass Arm Kit
57	106-8693	1	Filter Kit
58	106-8694	1	Disc-Brake, Cog
59	105-1927	1	Fan
60	105-1896	1	Pulley
61	105-1875	1	Nut-Lock
62	104-2120	3	Screw



## Engine Assembly

Ref	Part No.	Qty.	Description
1		1	Engine-Briggs And Stratton, 286H77-0165-E1
2	88-4410	1	Gasket-Muffler
3	3253-4	2	Washer-Lock
4	3274-10	2	Screw-HSH
5	104-2488	2	Foam-Switch, Seat
6	107-4873	1	Bracket-Pivot
7	106-7007	1	Muffler
8	321-4	1	Screw-HH
9	32144-44	2	Screw-HWH
10	322-7	4	Screw-HH
11	106-7022	1	Tube-Drain, Oil
12	3296-42	1	Nut-Lock, NI
13	92-6877	1	Valve-Drain, Oil
14	105-3472	1	Pulley-Engine
15	98-5023	1	Bumper
16	104-3334	1	Clutch-Electric
17	112843	1	Washer
18	3212-16	1	Screw-HH
19	106-2156	1	Plate-Mount, Idler
20	32128-25	4	Nut-HF
21	3296-29	2	Nut-Lock, NI
23	322-4	2	Screw-HH
24	46-8560	4	Screw-HHF

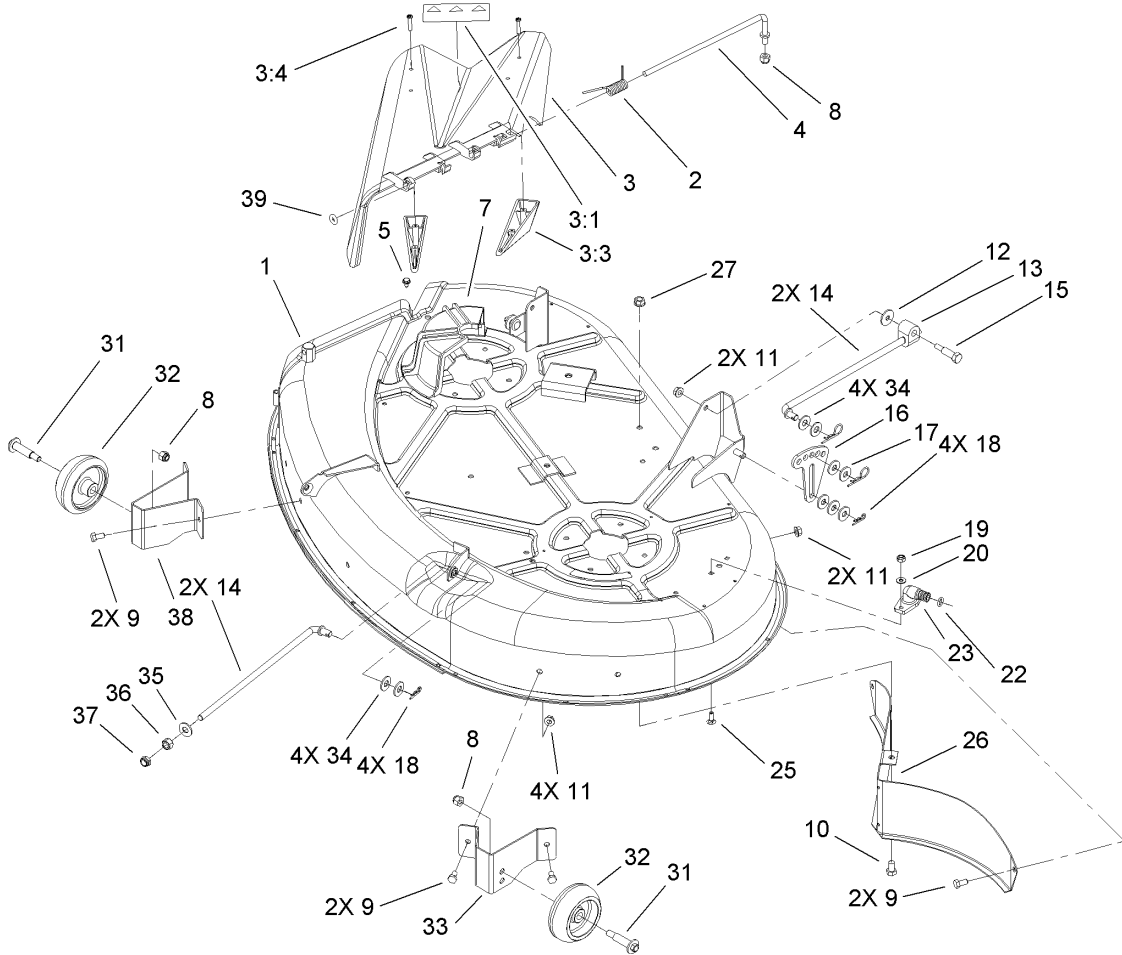
Ref	Part No.	Qty.	Description
25	237-124	1	Grommet
26	609830	2	Spring
27	108-2315-03	1	Plate-Support
28	109-0297	1	Hose-Fuel
29	2412-98	2	Clamp
30	105-3464	1	Gas Tank ASM
30:2	46-6560	1	Bushing
30:3	104048	1	Valve-Fuel
31	108-2314-03	1	Plate-Tank
32	107-4905	1	Decal
34	106-7028-03	1	Guard-Muffler



## Styling Assembly

Ref	Part No.	Qty.	Description
1	3296-42	6	Nut-Lock, NI
2	3229-7	2	Screw-CARR
3	106-2164-03	1	Bracket-Support, Front
4	107-2514	1	Decal-Danger
5	108-7128	1	Decal
6	105-6971	2	Decal
7	105-6965	1	Footrest ASM
8	105-1853	2	Clamp-Hose
9	321-4	2	Screw-HH
10	106-6994-03	1	Brace ASM
11	108-2313-03	1	Channel-Cross
12	46-8560	2	Screw-HHF
13	46-8090	4	Screw-Plastite
14	3256-22	4	Washer-Flat
15	107069	4	Clip
16	3258-166	4	Screw-PRH
17	106-2224	1	Decal-Control
18	106-2167-03	1	Panel-Control
19	88-3980	1	Gas Cap ASM
19:3	88-4010	1	Gasket-Cap, Gas
20	106-7042	1	Seal-Rubber
21	106-2161	1	Cover-Side, RH
22	106-2162	1	Cover-Side, LH
23	104-3626	1	Cable-Throttle

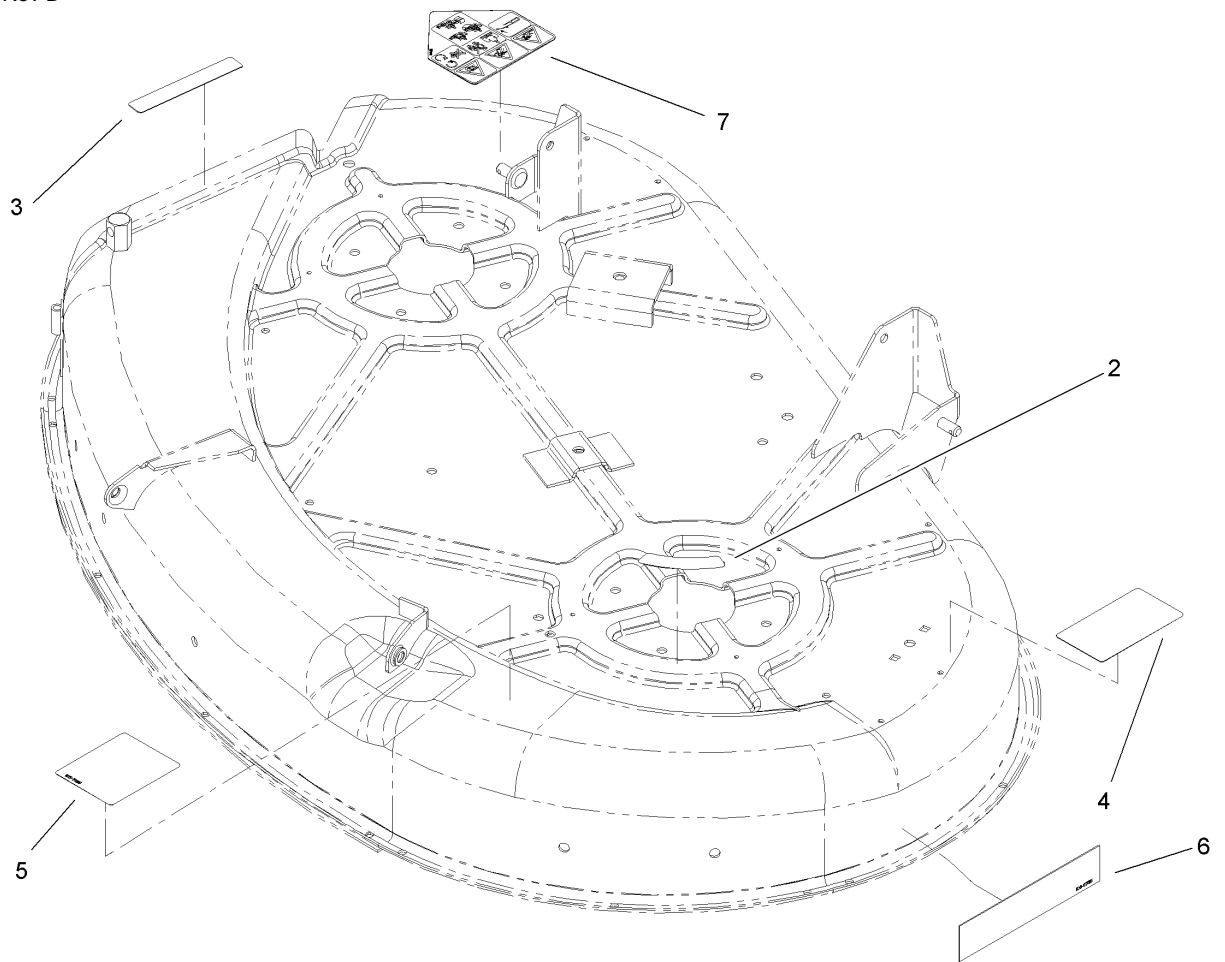
Ref	Part No.	Qty.	Description
24	11-9030	2	Screw-Shoulder
25	106-8737	2	Nut-Retainer
26	106-7017	2	Knob
27	106-2163	1	Cover-Hood



### 42in Deck Assembly

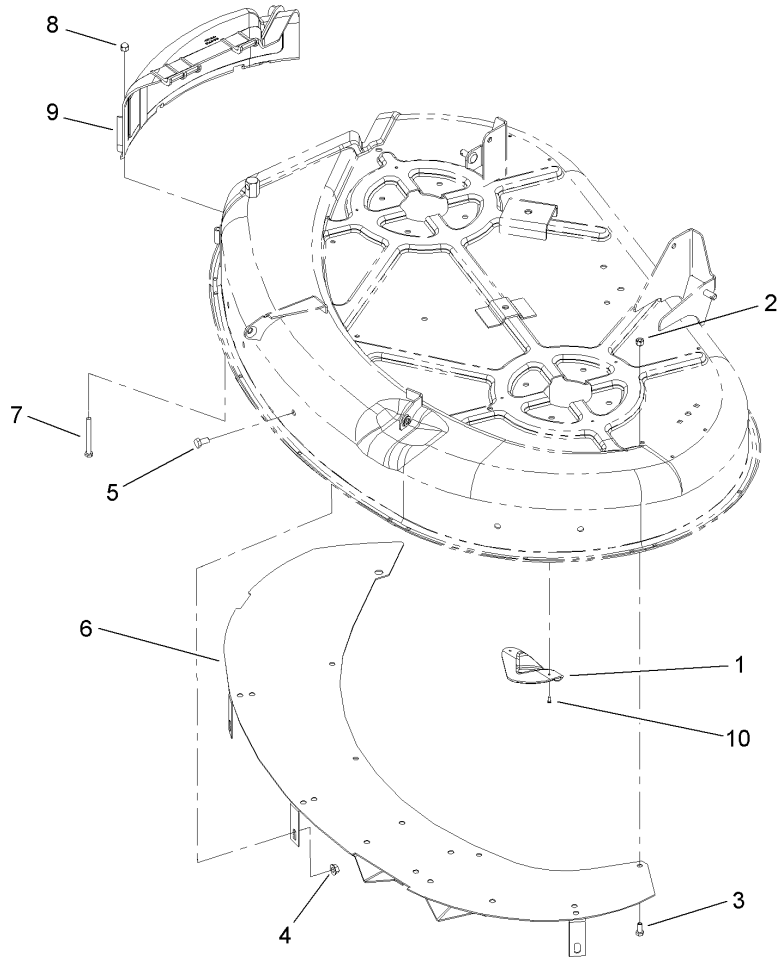
Ref	Part No.	Qty.	Description
1	110-1890	1	42 Inch Deck ASM
2	57-6950	1	Spring
3	93-7695	1	Deflector ASM
3:1	93-7010	1	Decal-Danger
3:3	93-7696	2	Kicker
3:4	93-0231	4	Screw-PPH
4	95-1661	1	Rod-Pivot
5	32104-76	5	Screw
6	88-4030	1	Guide-Belt, Deck (LH)
7	88-4020	1	Guide-Belt, Deck (RH)
8	3296-39	3	Nut-Lock, NI
9	322-2	6	Screw-HH
10	323-34	1	Screw-HH
11	32128-25	8	Nut-HF
12	5-4460	2	Washer-Pivot
13	88-4230	2	Trunnion-HOC
14	105-3437	4	Rod-Hanger
15	7-0030	2	Bolt-Shoulder
16	88-5570-03	2	Link-Adjusting, HOC
17	80-6990	10	Washer-Hardened
18	9335054	8	Pin-Hair
19	3296-16	2	Nut-Lock, NI
20	3256-1	2	Washer-Flat
22	46-6290	1	O-Ring

Ref	Part No.	Qty.	Description
23	95-2747	1	Fitting-Washout
25	3229-1	2	Screw-CARR
26	108-8513-03	1	Baffle-Rear
27	32128-21	1	Nut-HF
31	56-6591	2	Bolt-Wheel
32	701756	2	Wheel-Gage
33	106-8702-03	1	Bracket-Gage Wheel, Front (LH)
34	3256-4	8	Washer-Flat
35	3256-25	2	Washer-Flat
36	3219-4	2	Nut-Hex
37	3296-38	2	Nut-Lock, NI
38	106-8701-03	1	Bracket-Gage Wheel, Front (RH)
39	106-8745	1	O-Ring



### 42in Deck Assembly No. 110-1890

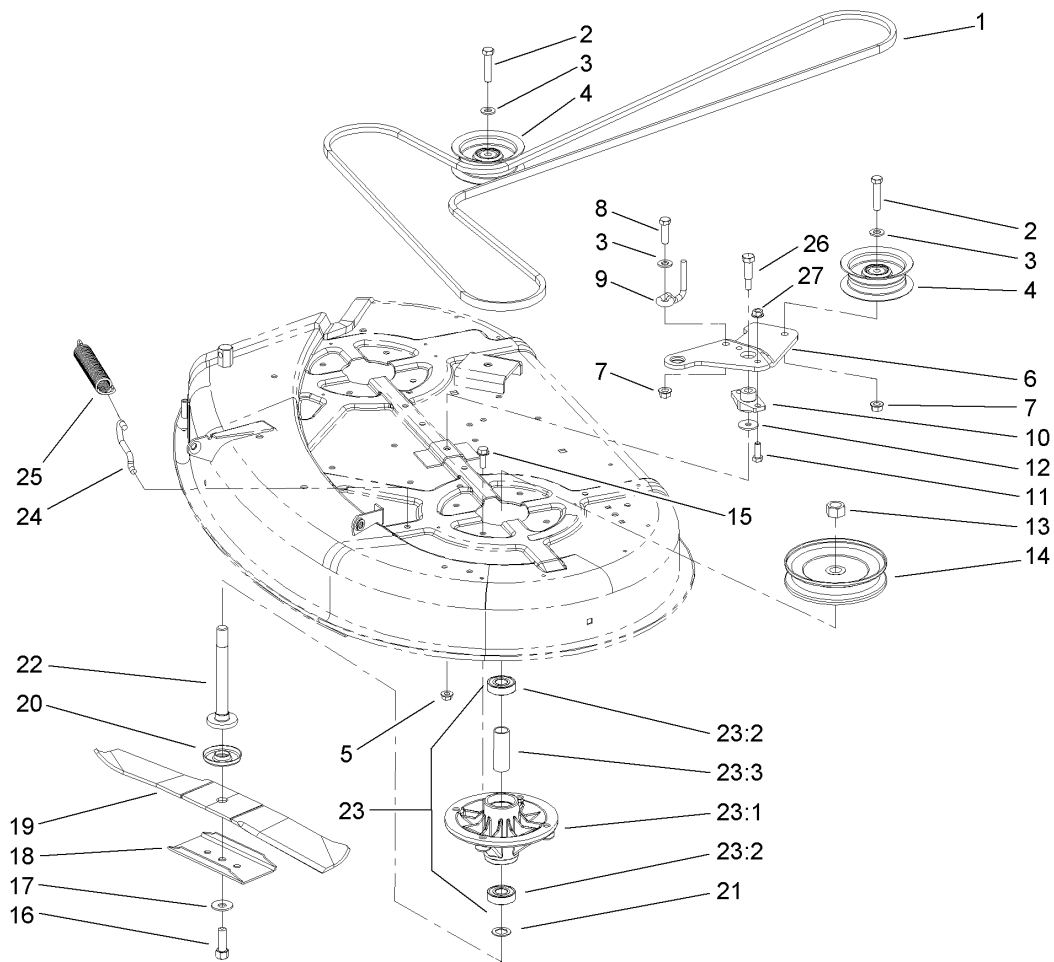
Ref	Part No.	Qty.	Description
2	93-6677	1	Decal-Shield, Danger
3	93-7009	1	Decal-Danger
4	93-7010	1	Decal-Danger
5	105-7015	1	Decal-Routing, Belt
6	106-8735	1	Decal
7	110-1868	1	Decal-Danger, Shield



## Recycler Assembly

Ref	Part No.	Qty.	Description
1	76-2160	3	Plate-Kicker
2	3296-42	4	Nut-Lock, NI
3	321-3	4	Screw-HH
4	32128-25	1	Nut-HF
5	322-2	1	Screw-HH
6	107-7316-03	1	Baffle Upper ASM
7	321-14	2	Screw-HH
8	32111-7	2	Nut-Cap
9	107-2527	1	Cover-Discharge, Deck
10	32144-111	6	Screw-PPH

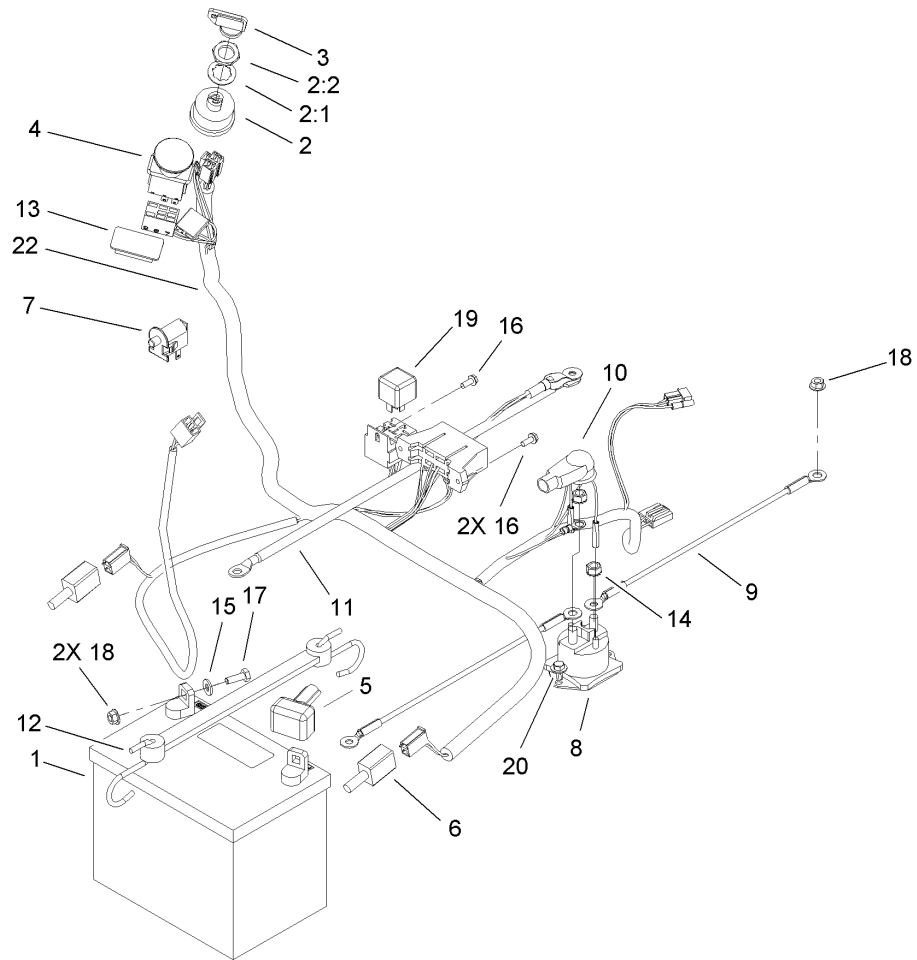
--	--	--	--



## Spindle and Belt Drive Assembly

Ref	Part No.	Qty.	Description
1	106-2173	1	Belt-V
2	323-9	2	Screw-HH
3	3256-24	3	Washer-Flat
4	106-2175	2	Pulley-Idler, Flat
5	32128-25	1	Nut-HF
6	107-2467-03	1	Arm-Idler
7	32128-21	2	Nut-HF
8	323-7	1	Screw-HH
9	107-7307	1	Guide-Idler, Belt
10	88-4980	1	Bushing-Arm, Idler
11	322-4	2	Screw-HH
12	5-4460	1	Washer-Pivot
13	3219-6	2	Nut-Hex
14	88-5330	2	Pully-Deck
15	32144-41	8	Screw-Taptite
16	26-0671	2	Screw-Blade
17	3290-465	2	Washer-Belleville
18	106-2248-03	2	Stiffener-Blade
19	106-2247-03	2	Blade
20	80-4360	2	Shield-Bearing
21	80-4380	2	Spacer
22	80-4341	2	Shaft
23		2	Spindle ASM
23:1	88-4510	1	Housing-Spindle

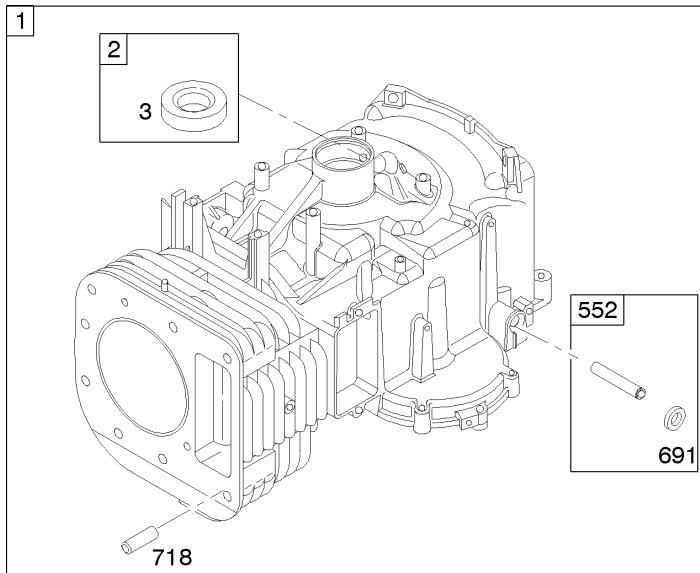
Ref	Part No.	Qty.	Description
23:2	100-1048	2	Bearing-Ball
23:3	62-3661	1	Spacer-Bearing
24	88-5970	1	Hook-Return, Spring
25	106-2177	1	Spring-Extension
26	7-0030	1	Bolt-Shoulder
27	3296-29	2	Nut-Lock, NI



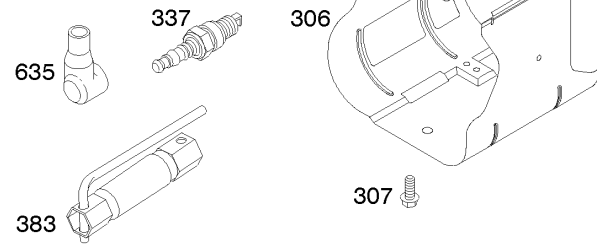
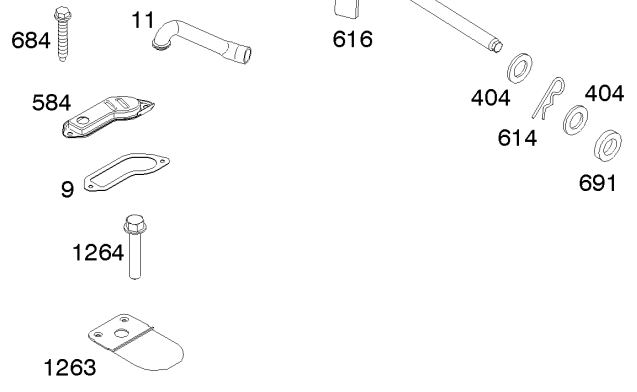
## Electrical Assembly

Ref	Part No.	Qty.	Description
1	104-2491	1	Battery-Dry
2	88-9830	1	Key Switch ASM
2:1	3254-5	1	Washer-Tooth
2:2	218-461	1	Nut-HH
3	63-8360	1	Key-Ignition
4	95-7489	1	Switch-PTO
5	28-8080	1	Boot-Terminal
6	106-2216	2	Switch
7	82-2190	1	Switch-Bail
8	106-8245	1	Solenoid
9	56-7670	2	Wire ASM
10	93-3190	1	Boot-Insulator, Terminal
11	95-7654	1	Cable
12	104-2466	1	Holddown-Battery
13	99-7420	1	Plug-Hole
14	32149-2	2	Nut-Keps
15	3256-22	2	Washer-Flat
16	32144-1	3	Screw-Taptite
17	321-4	2	Screw-HH
18	32128-33	3	Nut-HF
19	98-7249	1	Relay
20	46-8560	2	Screw-HHF
22	108-8586	1	Harness-Wiring

--	--	--	--



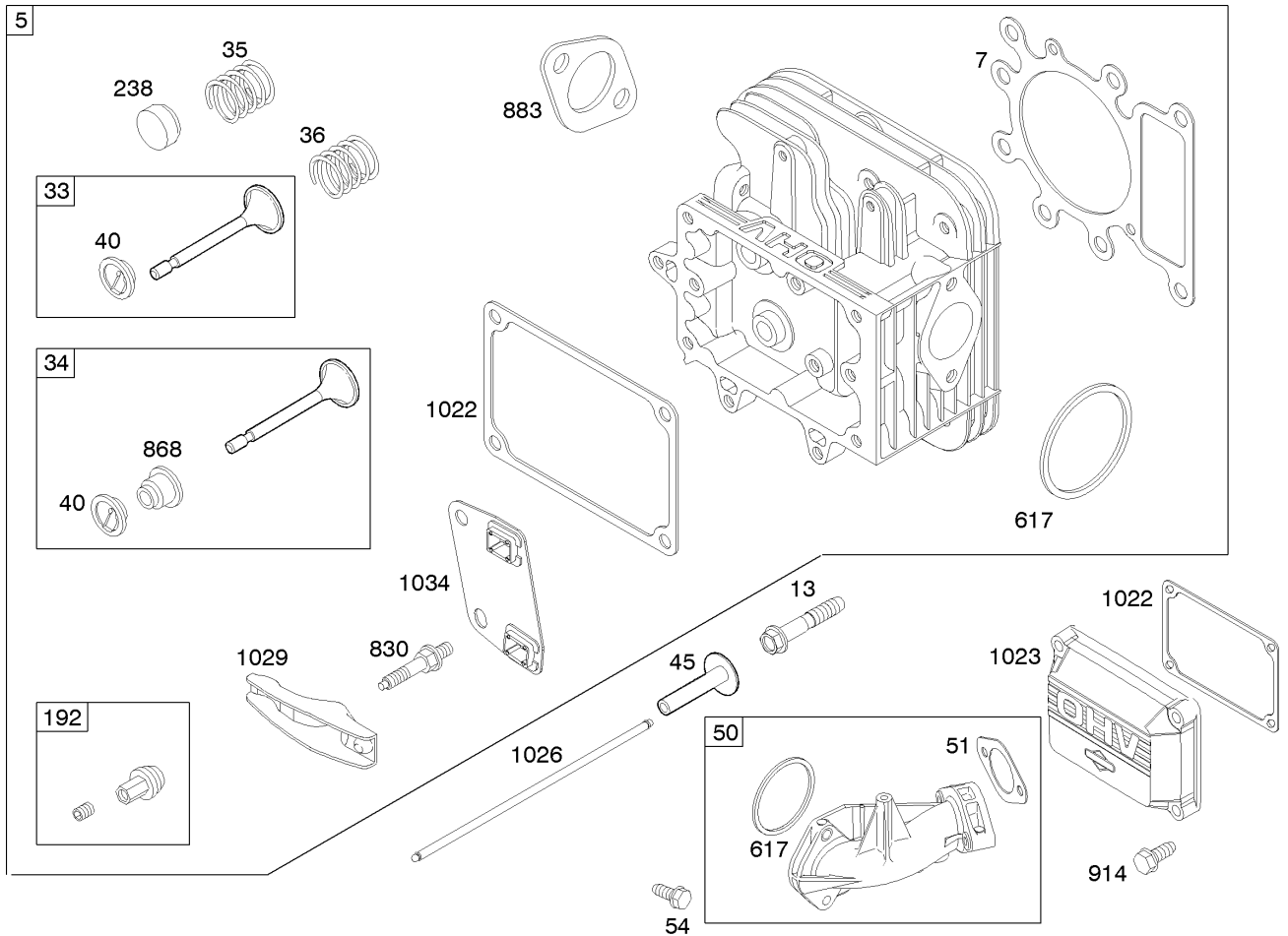
1019 LABEL KIT



Assemblies include all parts shown in frames.

## Cylinder Assembly Briggs and Stratton 280h07-0166-e1

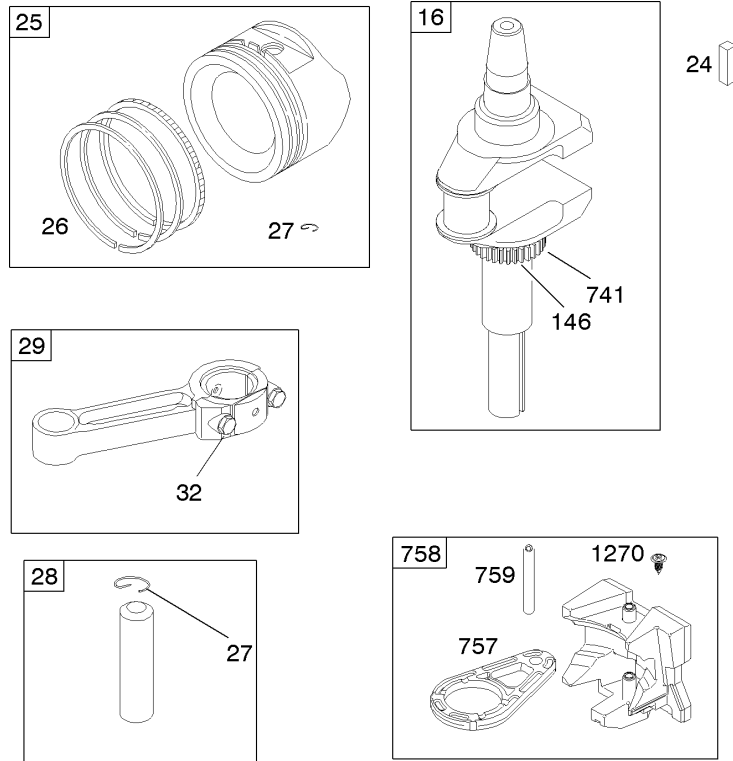
Ref	Part No.	Qty.	Description
1	697132	1	Cylinder ASM
2	399265	1	Bushing And Seal Kit
3	391086	1	Seal-Oil
9	697109	1	Gasket-Breather
11	697113	1	Tube-Breather
17	697761	1	Short Block
306	697107	1	Shield-Cylinder
307	691003	1	Screw
337	691043	1	Spark Plug
383	89838	1	Wrench-Plug, Spark
404	691691	1	Washer
552	697144	1	Bushing-Crank, Governor
584	697112	1	Cover-Passage, Breather
614	691620	1	Pin-Cotter
616	692012	1	Crank-Governor
635	691909	1	Boot-Spark Plug
684	697157	1	Screw
691	692407	1	Seal-Shaft, Governor
718	690959	1	Pin-Locating
1019	697143	1	Label Kit
1263	697124	1	Reed-Breather
1264	697104	1	Screw

## Cylinder Head Assembly Briggs and Stratton 280h07-0166-e1

Ref	Part No.	Qty.	Description
75	698148	1	Head-Cylinder
77	273280	1	Gasket-Head, Cylinder
13	690360	1	Screw
33	695760	1	Valve-Exhaust
34	695761	1	Valve-Intake
35	691279	1	Spring-Valve
36	691279	1	Spring-Valve
40	691752	1	Retainer-Valve
45	690564	1	Tappet-Valve
50	690193	1	Manifold-Intake
51	692137	1	Gasket-Intake
54	691148	1	Screw
192	691986	1	Adjustor-Arm, Rocker
238	691843	1	Cap-Valve
617	692138	1	Seal-O Ring
830	691095	1	Stud-Arm, Rocker
868	690968	1	Seal-Valve
883	692236	1	Gasket-Exhaust
914	690960	1	Screw
1022	272475	1	Gasket-Cover, Rocker
1023	692492	1	Cover-Rocker

Ref	Part No.	Qty.	Description
1026	692003	1	Rod-Push
1026	692011	1	Rod-Push
1029	691751	1	Arm-Rocker
1034	690822	1	Guide-Rod, Push

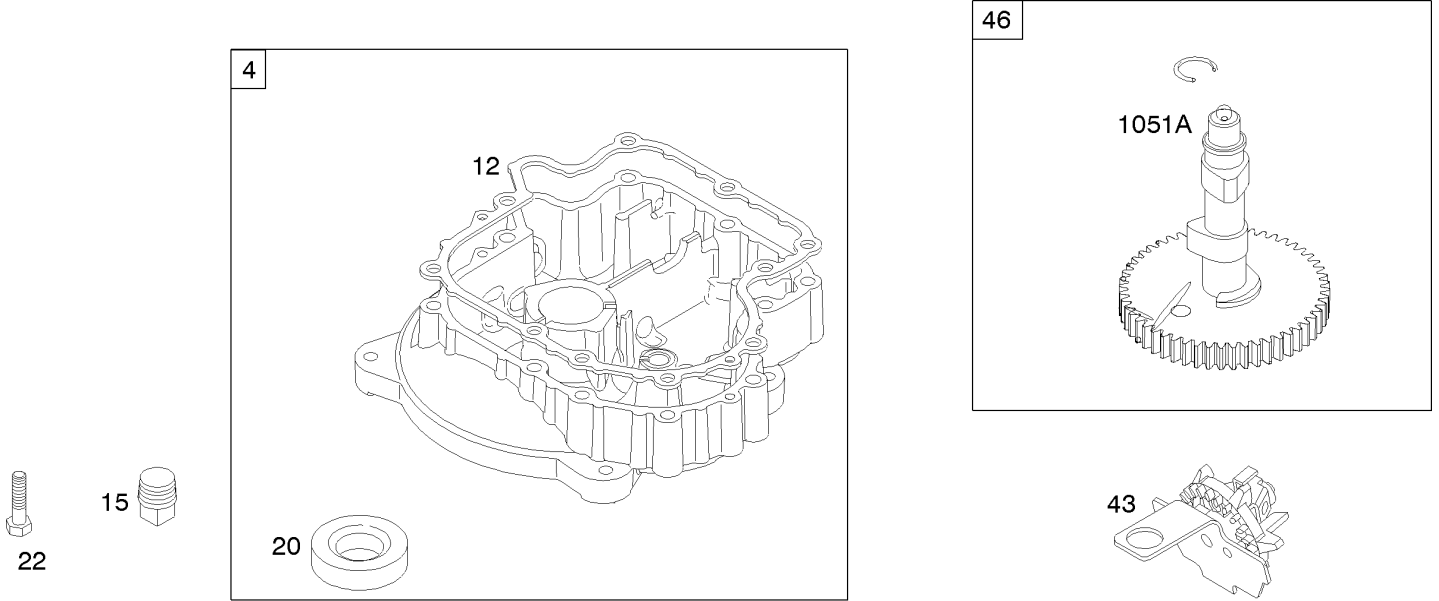


Assemblies include all parts shown in frames.

## Crankshaft Assembly Briggs and Stratton 280h07-0166-e1

Ref	Part No.	Qty.	Description
16	697127	1	Crankshaft
24	222698	1	Key
25	698371	1	Piston ASM (Standard)
	698393	1	Piston ASM (.010 Oversize)
	698394	1	Piston ASM (.020 Oversize)
	698395	1	Piston ASM (.030 Oversize)
26	697375	1	Ring Set (Standard)
	698396	1	Ring Set (.010 Oversize)
	698397	1	Ring Set (.020 Oversize)
	698398	1	Ring Set (.030 Oversize)
27	698469	1	Lock-Pin, Piston
28	697099	1	Pin-Piston (STD)
29	697126	1	Rod-Connecting (Standard)
	697263	1	Rod-Connecting (.020In Undersize)
32	692852	1	Screw
146	691639	1	Key-Timing
741	697128	1	Gear-Timing
757	697607	1	Link-Counterweight
758	697134	1	Counterweight
759	697392	1	Pin-Counterweight
1270	697156	1	Plug-Counterweight, Avs

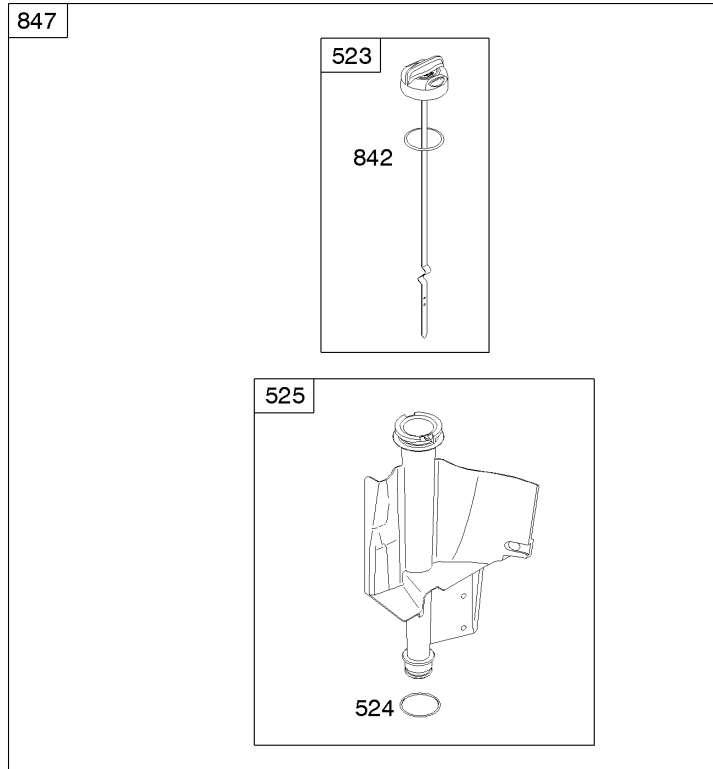
--	--	--	--



Assemblies include all parts shown in frames.

## Crankcase Assembly Briggs and Stratton 280h07-0166-e1

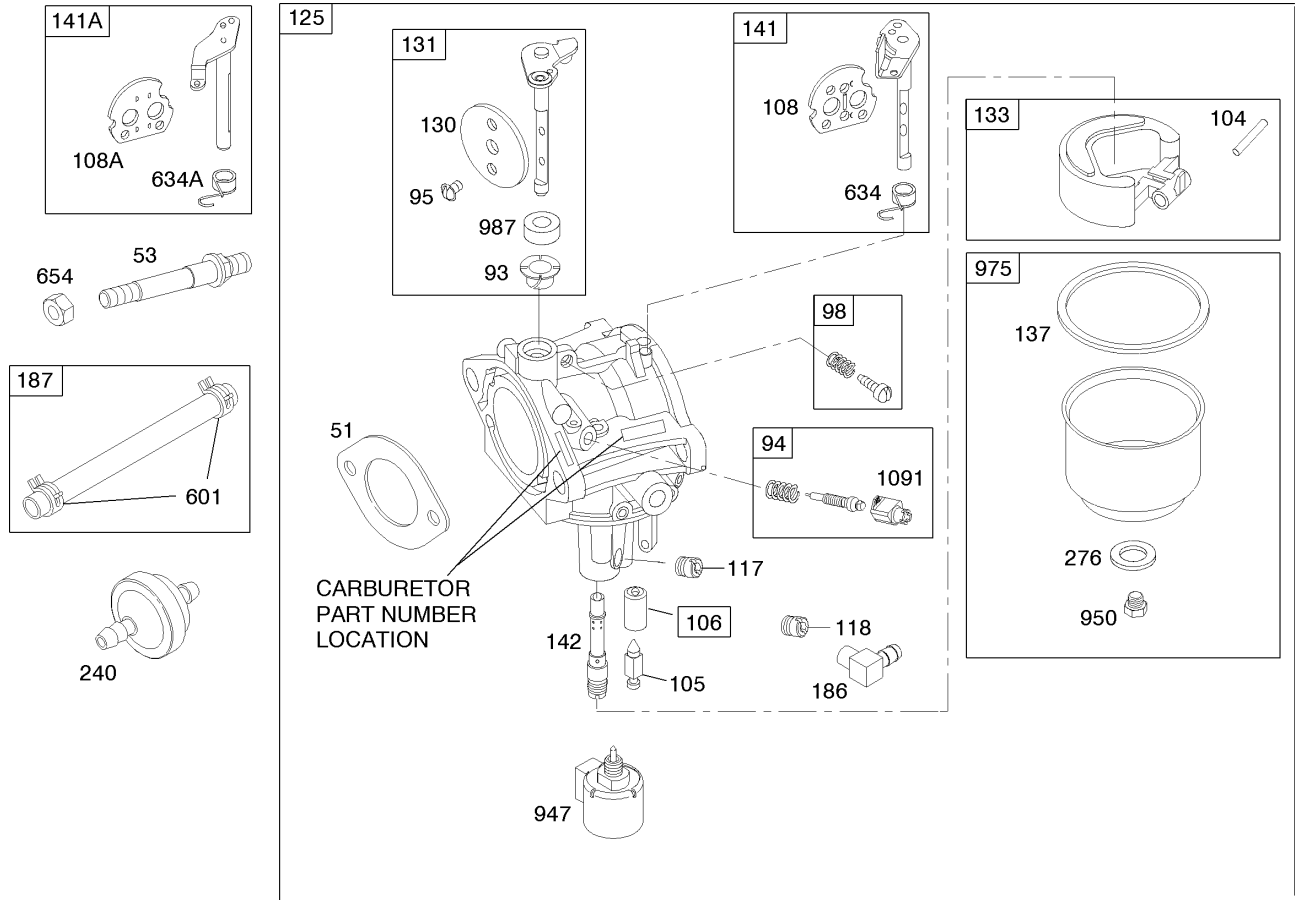
Ref	Part No.	Qty.	Description
④	697106	1	Sump-Engine
③⑦12	697110	1	Gasket-Crankcase
⑦15	690946	1	Plug-Drain, Oil
③⑦20	690947	1	Seal-Oil
⑦22	692125	1	Screw
⑦43	691968	1	Slinger-Governor,Oil
⑦46	698577	1	Camshaft
⑦1051A	698802	1	Ring-Retaining



Assemblies include all parts shown in frames.

## Oil Filter, Tube and Pump Assembly Briggs and Stratton 280h07-0166-e1

Ref	Part No.	Qty.	Description
⑦523	697086	1	Dipstick
③⑦524	691032	1	Seal, O-Ring
⑦525	697184	1	Tube-Dipstick
③⑦842	691031	1	Seal-O Ring
⑦847	697611	1	Dipstick And Tube ASM



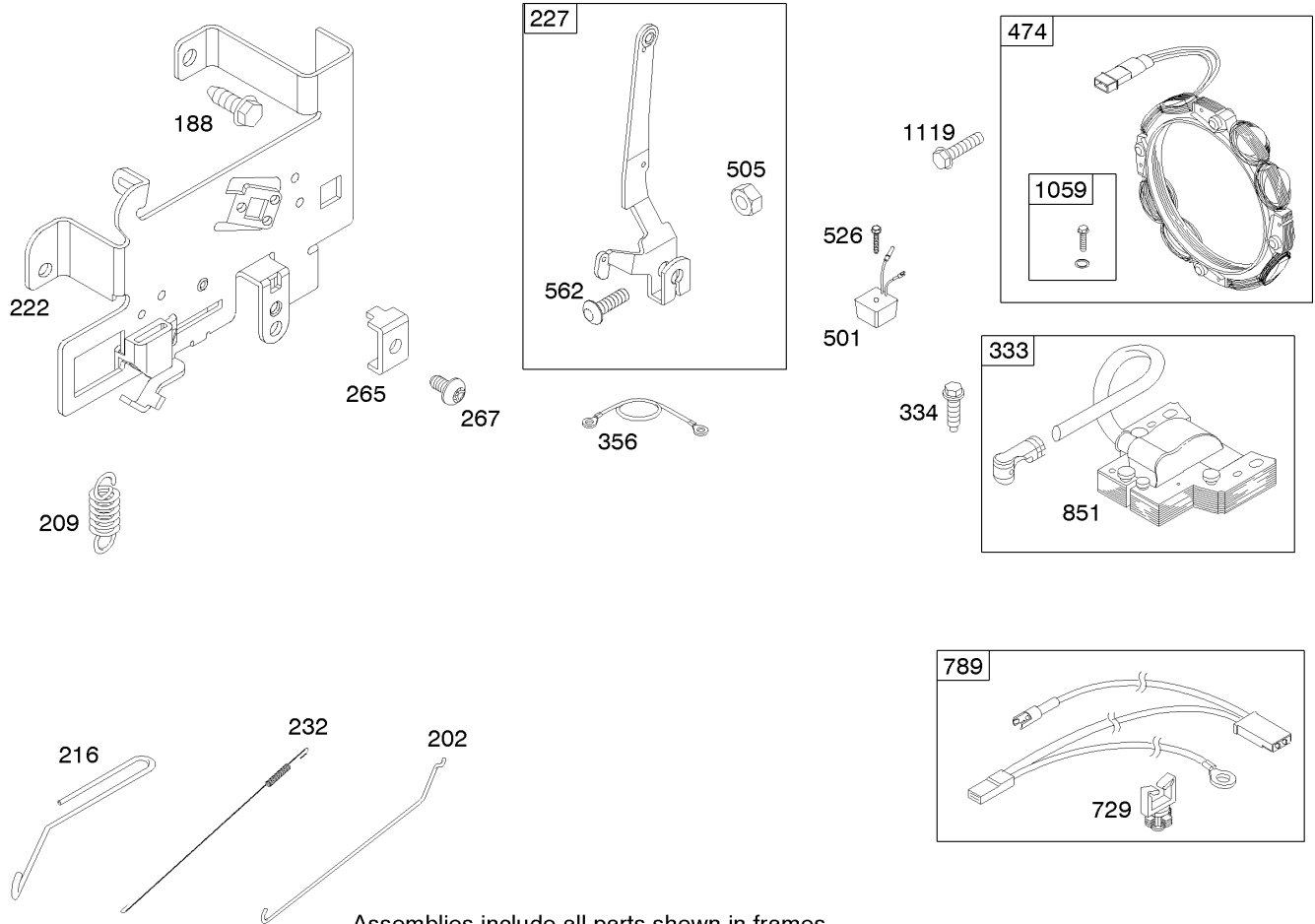
Assemblies include all parts shown in frames.

## Carburetor Assembly

### Briggs and Stratton 280h07-0166-e1

Ref	Part No.	Qty.	Description
5 4 51	692137	1	Gasket-Intake
5 6			
7 53	690227	1	Stud
5 7 93	690602	1	Bushing-Shaft, Throttle
7 94	498030	1	Idle Mixture Kit
5 7 95	691636	1	Screw
7 98	495800	1	Idle Speed Kit
5 7 104	690525	1	Pin-Hinge, Carburetor Float
5 7 105	231855	1	Valve-Needle, Float
5 7 106	690577	1	Seat-Inlet
7 108	690464	1	Valve-Choke
7 108A	692344	1	Valve-Choke
5 7 117	694352	1	Jet-Main (STD)
7 118	697228	1	Jet-Main (High Altitude)
7 125	697190	1	Carburetor
7 130	691750	1	Valve-Throttle
7 131	494379	1	Throttle Shaft Kit
7 133	494381	1	Float-Carburetor
5 6 137	281165	1	Gasket-Bowl, Float
7			
7 141	495097	1	Choke Shaft Kit
7 141A	495931	1	Choke Shaft Kit
5 7 142	697140	1	Nozzle-Carburetor
7 186	692317	1	Connector-Hose

Ref	Part No.	Qty.	Description
7 187	697098	1	Line-Fuel
7 240	394358	1	Filter-Fuel
5 6 276	692255	1	Washer-Sealing
7			
7 601	95162	1	Clamp-Hose
5 7 634	690801	1	Spring / Seal ASM
5 7 634A	690802	1	Spring And Seal ASM
7 654	690958	1	Nut
7 947	694393	1	Solenoid-Fuel
7 950	691657	1	Screw
7 975	495933	1	Bowl-Float
5 7 987	691326	1	Seal-Shaft, Throttle
7 1091	691333	1	Cap-Limiter

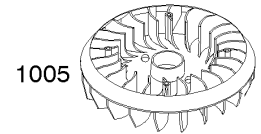
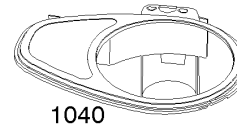
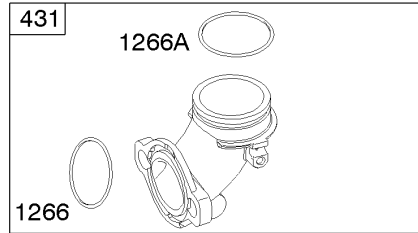
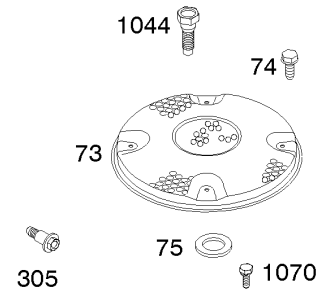
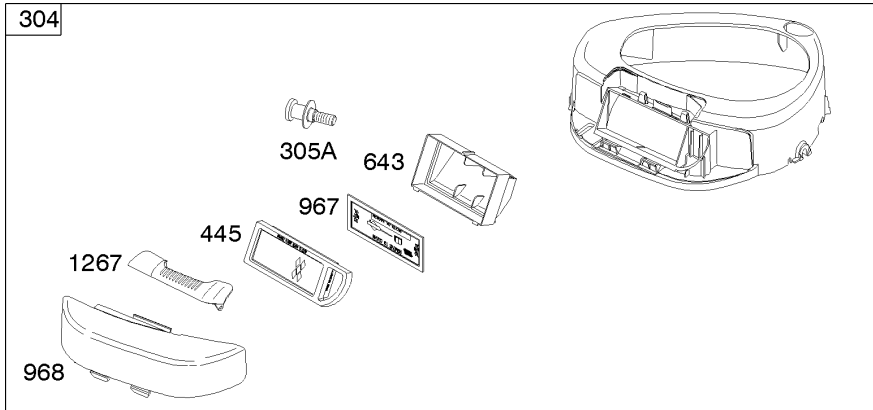


Assemblies include all parts shown in frames.

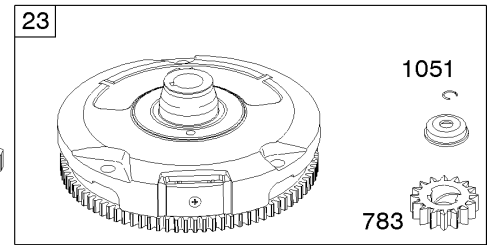
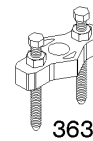
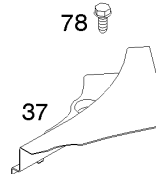
## Governor Assembly Briggs and Stratton 280h07-0166-e1

Ref	Part No.	Qty.	Description
188	691693	1	Screw
202	691841	1	Link-Governor, Mechanical
209	692208	1	Spring-Governor
216	691840	1	Link-Choke
222	694042	1	Bracket-Control
227	691374	1	Lever-Control, Governor
232	691842	1	Spring-Link, Governor
265	691024	1	Clamp-Casing
267	695134	1	Screw
333	492341	1	Armature-Magneto
334	691061	1	Screw
356	697089	1	Stop-Wire
474	696457	1	Alternator
	696458	1	Alternator
501	691188	1	Regulator
501	691185	1	Regulator
505	691251	1	Nut
526	697088	1	Screw
	697348	1	Screw
562	691119	1	Screw
729	691335	1	Clip-Wire
789	692037	1	Wiring-Harness
851	692424	1	Terminal-Spark Plug
1059	698516	1	Screw And Washer Kit

Ref	Part No.	Qty.	Description
1119	691183	1	Screw



1036 LABEL-EMISSION



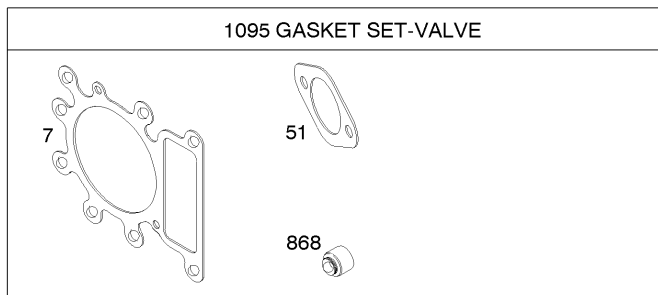
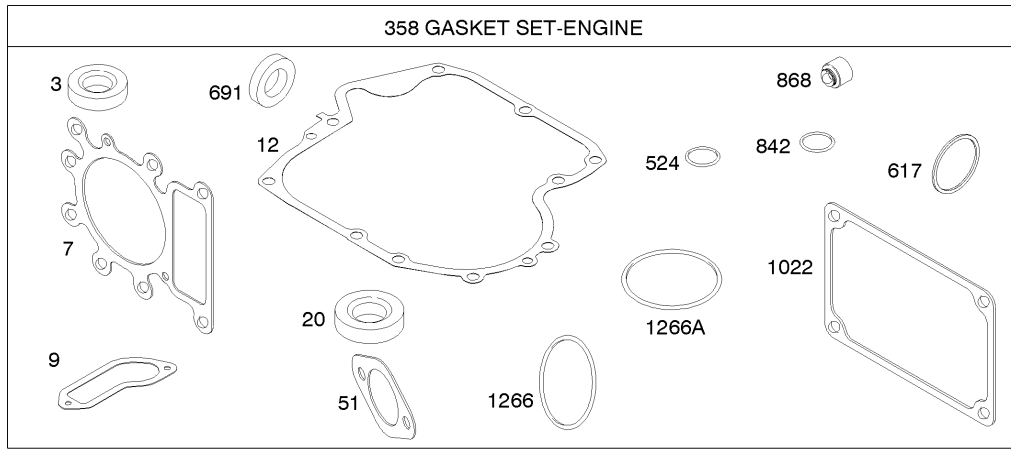
Assemblies include all parts shown in frames.

## Blower Housing Assembly Briggs and Stratton 280h07-0166-e1

Ref	Part No.	Qty.	Description
23	693556	1	Flywheel
37	697352	1	Guard-Flywheel
73	697384	1	Screen-Rotating
74	697897	1	Screw
75	690582	1	Washer-Flywheel
78	691003	1	Screw
304	698599	1	Housing-Blower
305	697102	1	Screw
305A	697103	1	Screw
363	19203	1	Puller-Flywheel
431	697122	1	Elbow-Intake
445	698083	1	Filter-Cartridge, Air Cleaner
643	698401	1	Retainer-Filter, Air
783	693713	1	Gear-Pinion
967	697015	1	Filter-Cleaner, Pre
968	698403	1	Cover-Cleaner, Air
1005	697853	1	Fan-Flywheel
1036	695700	1	Label-Emission
1040	698368	1	Plate-Trim
1044	691658	1	Screw-Crankshaft Extension
1051	691265	1	Ring-Retaining
1070	690372	1	Screw
1266	691917	1	Seal-O Ring
1266A	697123	1	Seal-O Ring

Ref	Part No.	Qty.	Description
1267	697419	1	Latch-Housing, Blower

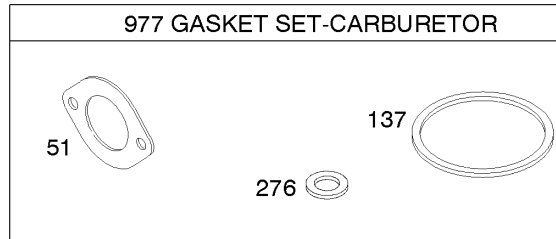
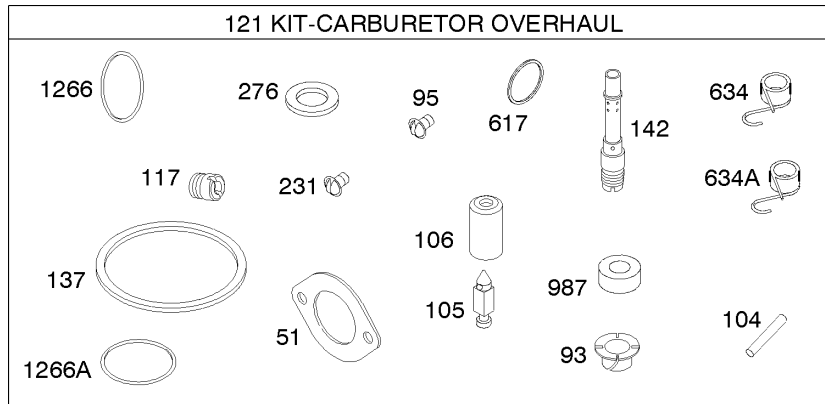




Assemblies include all parts shown in frames.

## Gasket Assembly Briggs and Stratton 280h07-0166-e1

Ref	Part No.	Qty.	Description
373	391086	1	Seal-Oil
377	273280	1	Gasket-Head, Cylinder
379	697109	1	Gasket-Breather
3712	697110	1	Gasket-Crankcase
3720	690947	1	Seal-Oil
451	692137	1	Gasket-Intake
358	697151	1	Engine Gasket Set
4617	692138	1	Seal-O Ring
37524	691032	1	Seal, O-Ring
37691	692407	1	Seal-Shaft, Governor
37842	691031	1	Seal-O Ring
4868	690968	1	Seal-Valve
371022	272475	1	Gasket-Cover, Rocker
71095	691581	1	Valve Gasket Set
351266	691917	1	Seal-O Ring
351266A	697123	0	Seal-O Ring



Assemblies include all parts shown in frames.

## Carburetor Overhaul Kit Assembly Briggs and Stratton 280h07-0166-e1

Ref	Part No.	Qty.	Description
④51 ⑤⑥	692137	1	Gasket-Intake
⑤793	690602	1	Bushing-Shaft, Throttle
⑤795	691636	1	Screw
⑤7104	690525	1	Pin-Hinge, Carburetor Float
⑤7105	231855	1	Valve-Needle, Float
⑤7106	690577	1	Seat-Inlet
⑤7117	694352	1	Jet-Main (STD)
⑦121	697154	1	Carburetor Overhaul Kit
⑤⑥137 ⑦	281165	1	Gasket-Bowl, Float
⑤7142	697140	1	Nozzle-Carburetor
⑤7231	691636	1	Screw
⑤⑥276 ⑦	692255	1	Washer-Sealing
⑤⑤617 ⑦	692138	1	Seal-O Ring
⑤7634	690801	1	Spring / Seal ASM
⑤7634A	690802	1	Spring And Seal ASM
⑦977	690192	1	Carburetor Gasket Set
⑤7987	691326	0	Seal-Shaft, Throttle
⑤⑤1266 ⑦	691917	0	Seal-O Ring
⑤⑤1266A ⑦	697123	1	Seal-O Ring

# Attachments and Accessories

## For 74403 - TimeCutter Z420 Riding Mower

Product Name	Model/Part
Smooth Caster Wheel Kit .....	105-1856
Tire Chains .....	107-1738
Armrest Kit .....	108-6163
42 Inch Twin Bagger .....	79214
48 Inch Snow Blade .....	79216

# NOTES

# NOTES

