



TimeCutter™ Z530 Riding Mower

Model No. 74425 - 260000001 and up.

Parts Catalog

Ordering Replacement Parts

To order replacement parts, please supply the part number, the quantity, and the description of each part desired.

Understanding Reference Numbers

Each identified part in an illustration has a reference number. The reference number for a part also appears in the parts list, along with other information about the part.

This catalog uses two special reference number formats, one to indicate parts in a service assembly and another to indicate the quantity of a given part in an illustration.

Service Assembly Reference Numbers

Parts in service assemblies have reference numbers in the form a:b. The a represents the reference number of the entire service assembly and the b represents a sequential number unique to each part within the service assembly.

For example, a wheel assembly might be identified by reference number 6, the tire by 6:1, the valve by 6:2, and the wheel by 6:3. When you order the assembly identified by reference number 6, you receive all parts identified by reference numbers 6:1, 6:2, and 6:3. However, you may also order any part individually. Reference numbers of this type appear in illustrations and in part lists.

Reference Numbers Indicating Quantity

In an illustration, if a reference number indicates more than one part, the reference number has the form nX y. The n represents the quantity of the part, the X is the multiplication symbol, and the y represents the reference number.

For example, in an illustration, the reference number 2X 37 means that two of the parts identified by reference number 37 are indicated.

Contents

Description	Page	Description	Page
Frame Assembly	3	Piston and Connecting Rod Assembly Honda GXV530 EXA2LB	22
Seat Assembly	4	Camshaft Assembly Honda GXV530 EXA2LB	23
Control Assembly	5	Fan Cover Assembly Honda GXV530 EXA2LB	24
Hydro and Drive Belt Assembly	6	Carburetor Assembly Honda GXV530 EXA2LB	25
LH Hydrostat Assembly Part No. 108-2394	7	Exhaust Pipe Assembly Honda GXV530 EXA2LB	26
RH Hydrostat Assembly Part No. 108-2393	9	Fuel Pump Assembly Honda GXV530 EXA2LB	27
Engine Assembly	11	Flywheel Assembly Honda GXV530 EXA2LB	28
Styling Assembly	12	Ignition Coil Assembly Honda GXV530 EXA2LB	29
42in Deck Assembly	13	Starter Motor Assembly Honda GXV530 EXA2LB	30
42in Deck Assembly No. 110-1890	14	Control Assembly Honda GXV530 EXA2LB	31
Recycler Assembly	15	Regulator Rectifier and Sub-Wire Harness Assembly Honda GXV530 EXA2LB	32
Spindle and Belt Drive Assembly	16	Label Assembly Honda GXV530 EXA2LB	33
Electrical Assembly	17	Attachments and Accessories List	34
Cylinder Assembly Honda GXV530 EXA2LB	18		
Crankcase Assembly Honda GXV530 EXA2LB	19		
Oil Pan Assembly Honda GXV530 EXA2LB	20		
Crankshaft Assembly Honda GXV530 EXA2LB	21		

Part Description Abbreviations

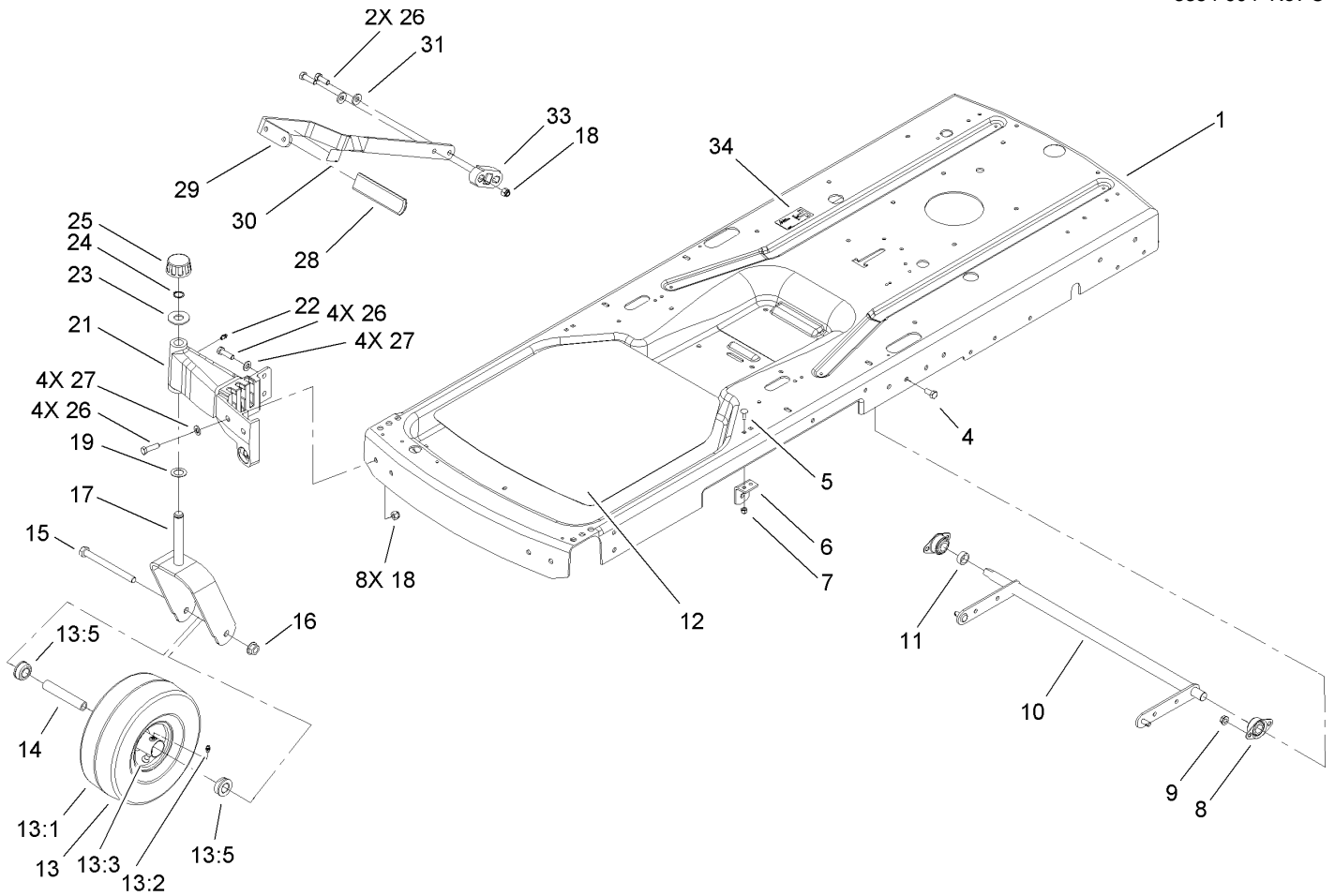
Part descriptions in this catalog may include the following abbreviations.

AR. as required	HYD. hydraulic
ASM. assembly	LH. left hand
BBC. blade brake clutch	NI. nylon insert
CARR. carriage	NPTF. national pipe thread fine
DEG. degrees	PFH. phillips flat head
EXT. external	PPH. phillips pan head
FH. flat head	PPHTF. phillips pan head thread forming
GA. gauge	PRH. phillips round head
HD. heavy-duty	PTH. phillips truss head
HF. hex flange	PTO. power-take-off
HH. hex head	RH. right hand
HHF. hex head flange	ROPS. roll-over protection system
HHFTF. hex head flange thread forming	SFH. slotted fillister head
HJ. hex jam	SHH. slotted hex head
HLH. hex lag head	SHWH. slotted hex washer head
HOC. height-of-cut	SPH. slotted pan head
HSBH. hex socket button head	SQH. square head
HSFH. hex socket flat head	SRH. slotted round head
HSH. hex socket head	STD. standard
HWH. hex washer head	TAP. self tapping
HWHTF. hex washer head thread forming	TTH. torx truss head

Footnotes

- ❶ Not illustrated
- ❷ Obtain from your local Honda dealer

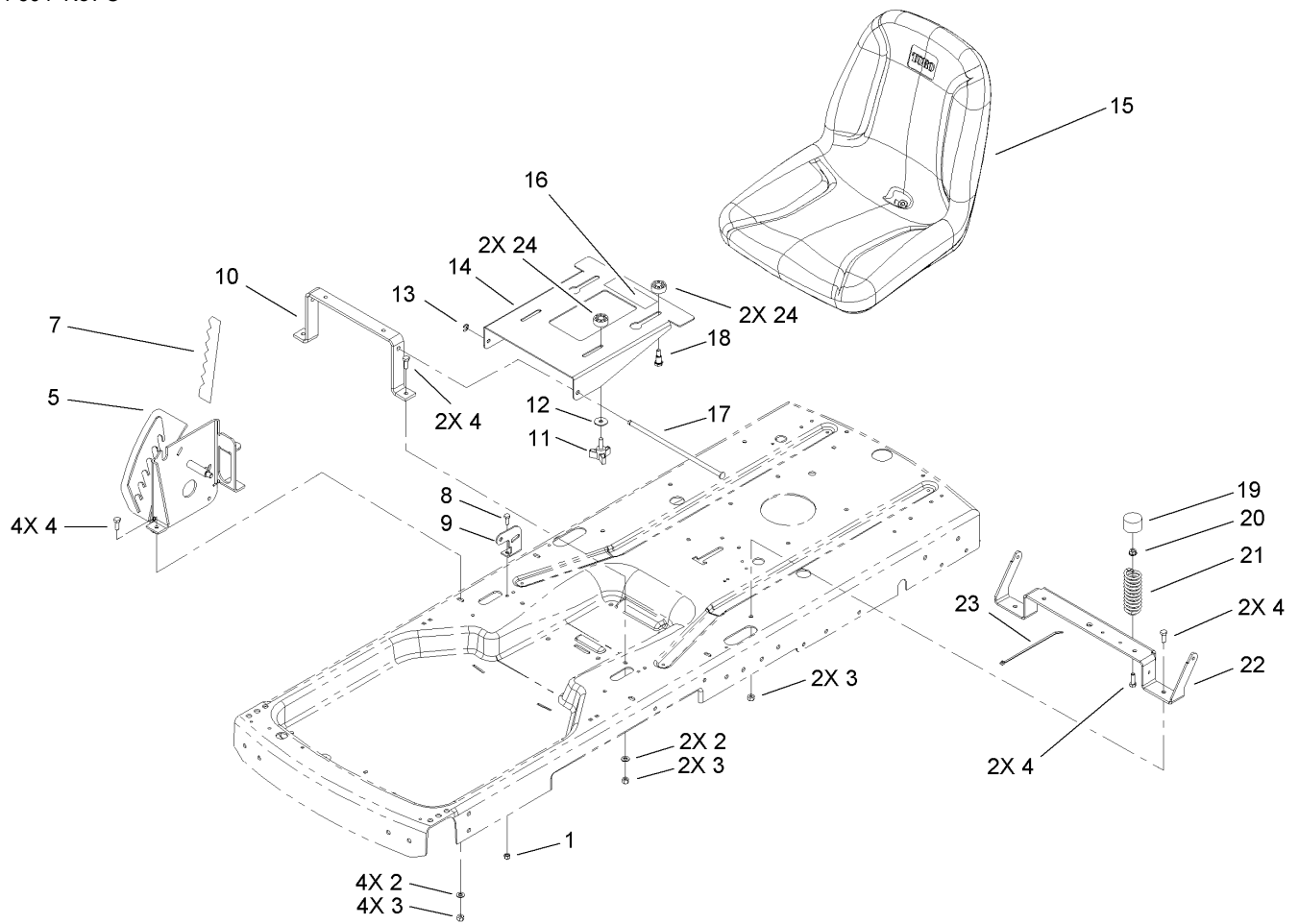
- ❸ Not serviced separately



Frame Assembly

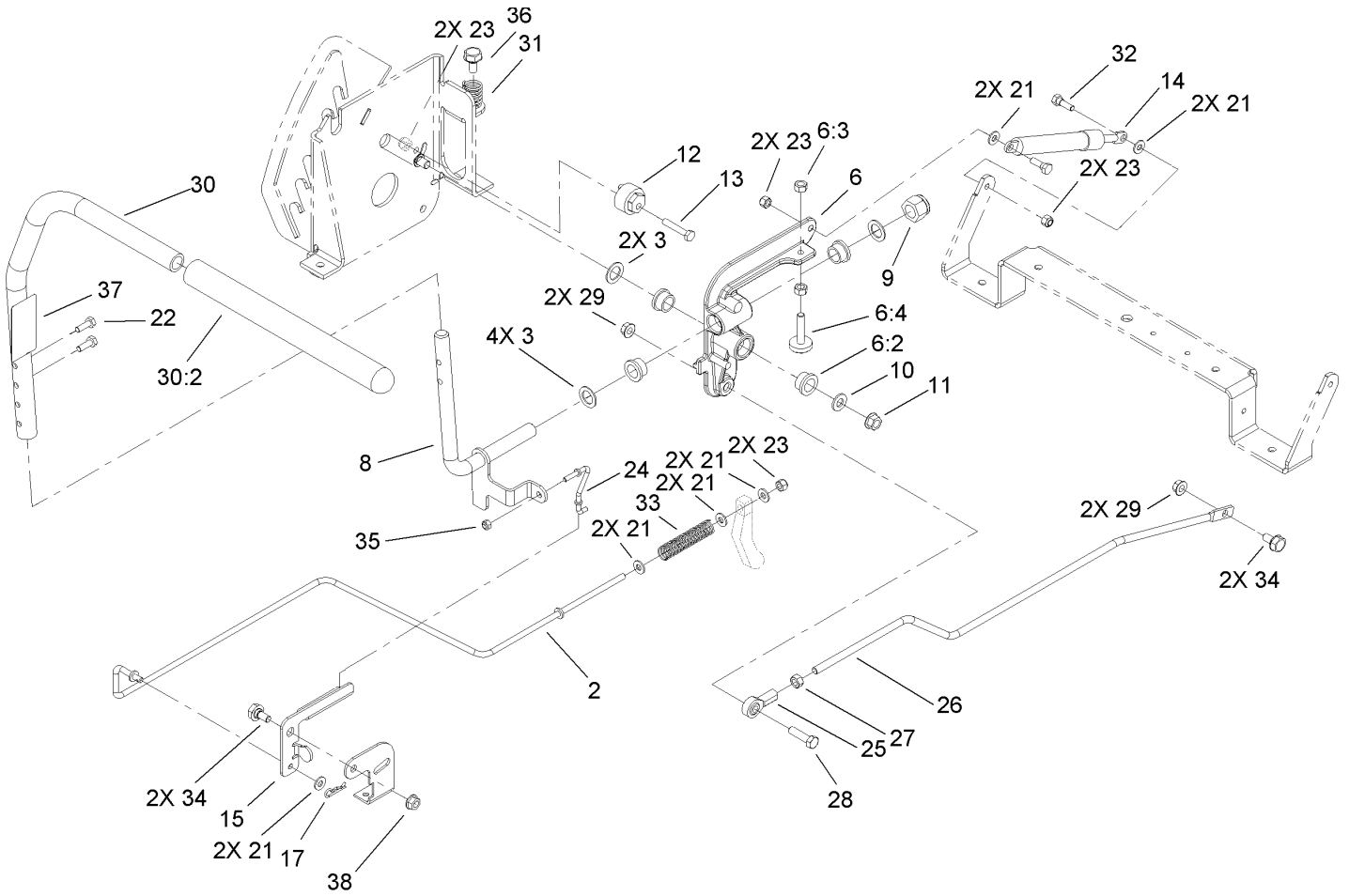
Ref	Part No.	Qty.	Description
1	108-2325-01	1	Frame
4	323-4	4	Screw-HH
5	3229-1	4	Screw-CARR
6	105-3439	2	Bracket-Lift
7	3296-42	4	Nut-Lock, NI
8	1-633102	2	Bearing-Flange, Side
9	3290-357	4	Nut-HHF, Whiz
10	105-3499-03	1	Lift Arm ASM
11	106-2222	1	Spacer
12	105-3460	1	Pad-Antiskid
13	105-3471	2	Front Wheel And Tire ASM
13:1	105-1943	1	Tire
13:2	302-5	1	Fitting-Grease
13:3	232-27	1	Stem-Valve
13:5	114-1640	2	Bushing-Flange
13:99	93-4244	1	Tube-Inner (W/Valve)
14	104-3667	2	Spanner-Wheel
15	325-22	2	Screw-HH
16	32128-23	2	Nut-HF
17	107-9119-01	2	Castor Fork ASM
18	3296-39	9	Nut-Lock, NI
19	3-6498	2	Washer-Thrust
20	105-6986-01	1	Caster-LH
21	105-6985-01	1	Castor-RH

Ref	Part No.	Qty.	Description
22	302-5	2	Fitting-Grease
23	28-2480	2	Washer
24	32151-103	2	Ring-Snap
25	61-9780	2	Cap-Hub
26	323-18	10	Screw-HH
27	3256-24	8	Washer-Flat
28	105-3450	1	Grip-Lever, Lift
29	108-2317-03	1	Lever-Lift
30	106-8743	1	Decal
31	98-5975	2	Washer-Belleville
33	106-2211	1	Block-Lift
34	108-6109	1	Decal-Transport, Ce



Seat Assembly

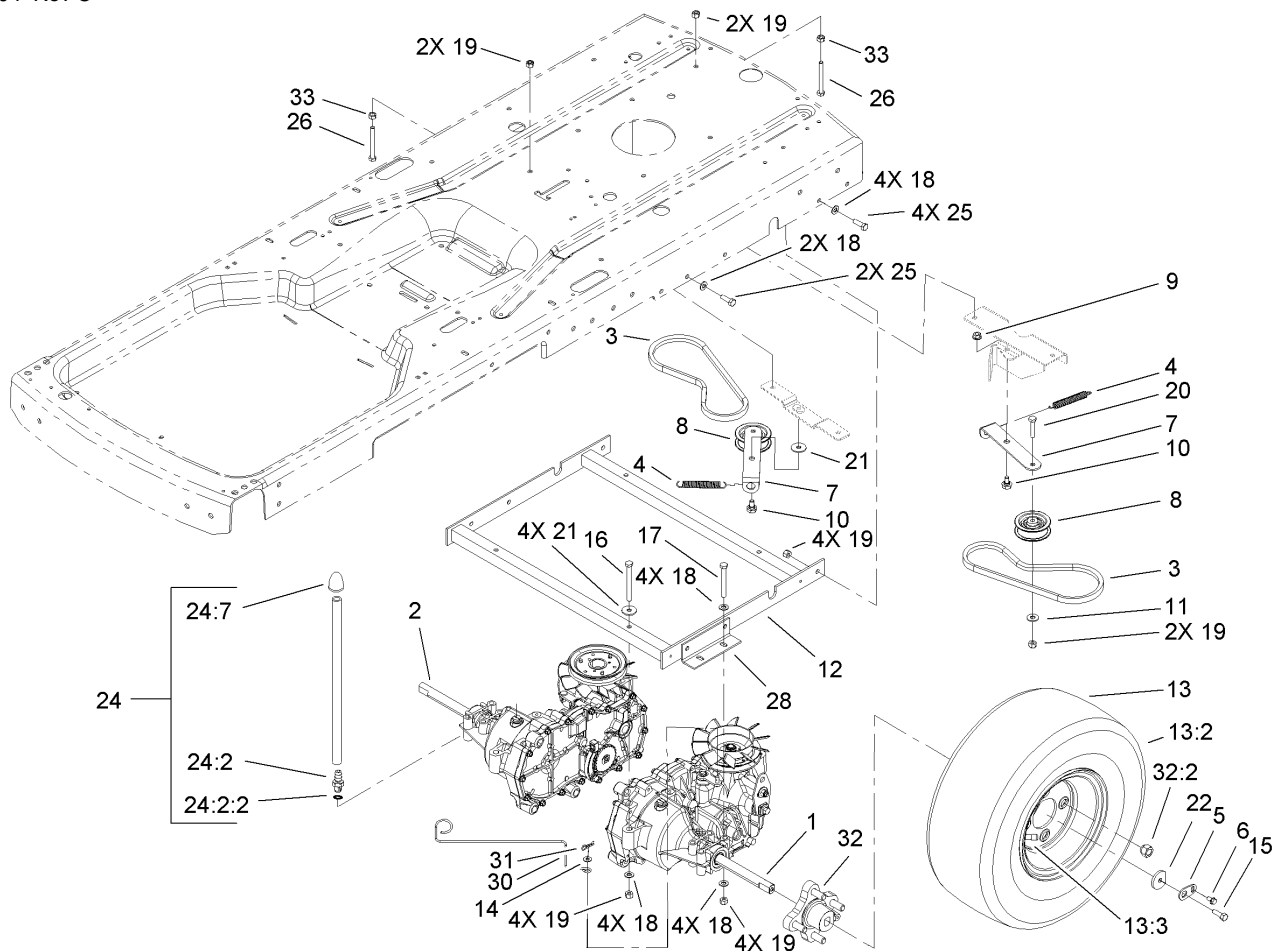
Ref	Part No.	Qty.	Description
1	3296-42	4	Nut-Lock, NI
2	3256-23	6	Washer-Flat
3	3296-29	12	Nut-Lock, NI
4	322-4	14	Screw-HH
5	106-2158-03	1	RH Plate ASM
6	106-2159-03	1	LH Plate ASM
7	106-2223	1	Decal-HOC
8	321-4	4	Screw-HH
9	106-2180	2	Bracket-Bellcrank
10	105-6954-03	1	Brace-Seat, Front
11	106-2240	2	Knob
12	5-4460	2	Washer-Pivot
13	105-7004	1	E-Ring
14	105-6953-03	1	Bracket-Seat
15	108-2329	1	Seat
16	106-8717	1	Decal-Service
17	105-6955	1	Pin-Pivot
18	613529	2	Screw Shoulder
19	701178	2	Cap-Protector
20	32128-25	2	Nut-HF
21	92-7054	2	Spring-Compression
22	108-2358-03	1	Brace-Seat, Rear
23	614249	1	Strap-Tie
24	107-4902	4	Spacer-Nylon



Control Assembly

Ref	Part No.	Qty.	Description
1	105-7045	1	Rod-Brake, LH
2	105-7044	1	Rod-Brake, RH
3	105-3481	6	Washer-Thrust
5	110-1869	1	LH Activator Arm ASM
5:2	105-3455	4	Bushing
5:3	3217-6	2	Nut-Hex
5:4	105-3486	1	Stop-Adjustment
6	110-1870	1	RH Activator Arm ASM
6:2	105-3455	4	Bushing
6:3	3217-6	2	Nut-Hex
6:4	105-3486	1	Stop-Adjustment
7	105-3488	1	LH Pivot Shaft ASM
8	105-3487	1	RH Pivot Shaft ASM
9	3296-53	2	Nut-Lock, NI
10	3256-24	2	Washer-Flat
11	3296-59	2	Nut-Lock, NI
12	107-4874	2	Eccentric
13	321-9	2	Screw-HH
14	103-2913	2	Damper-Control, Motion
15	106-2181	2	Bellcrank
17	1-806003	2	Pin-Hair
21	3256-22	12	Washer-Flat
22	321-4	4	Screw-HH
23	3296-42	8	Nut-Lock, NI

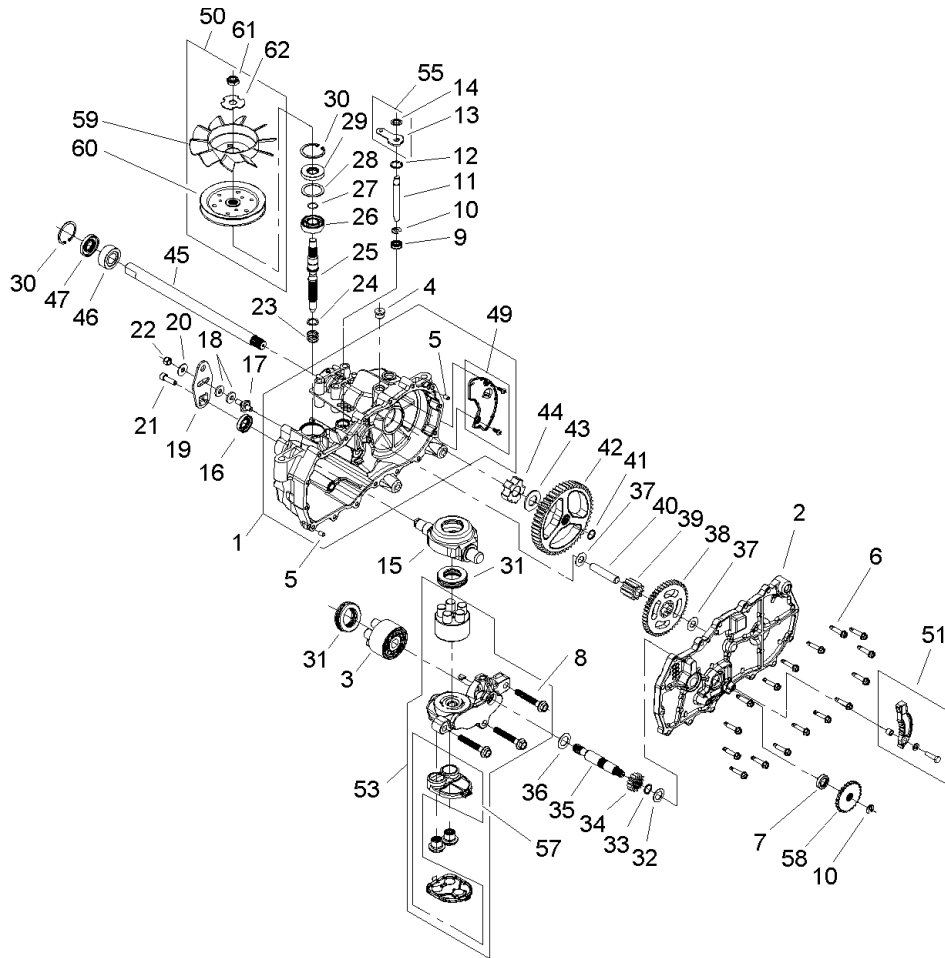
Ref	Part No.	Qty.	Description
24	106-2179	2	Link-Brake
25	1-543017	2	Balljoint-RH
26	105-7048	2	Rod-Hydro
27	3219-2	2	Nut-Hex
28	322-6	2	Screw-HH
29	32128-20	4	Nut-HF
30	106-2242	2	Handle ASM
30:2	1-633257	1	Grip-Control, Motion
31	105-3469	2	Spring-Compression
32	106-2214	4	Bolt-Shoulder
33	105-3465	2	Spring-Compression
34	37-8771	4	Bolt-Shoulder
35	3296-2	2	Nut-Lock
36	3274-52	2	Screw-HSH
37	106-8742	2	Decal
38	32128-25	2	Nut-HF



Hydro and Drive Belt Assembly

Ref	Part No.	Qty.	Description
1	108-2394	1	Transaxle-Hydro, LH
2	108-2393	1	Transaxle-Hydro, RH
3	106-2174	2	V-Belt
4	95-3805	2	Spring
5	105-3438	2	Tab-Locking
6	3234-13	2	Screw-HHF
7	105-7047	2	Arm-Idler
8	106-2176	2	Pulley-Idler
9	32128-25	1	Nut-HF
10	37-8770	2	Bolt-Shoulder
11	3256-3	2	Washer-Flat
12	107-4878-03	1	Hydro Mount ASM
13	106-7004	2	Wheel And Tire ASM
13:2	106-7006	1	Tire
13:3	232-27	1	Stem-Valve
13:99	107-2491	1	Tube-Tire
14	3256-1	2	Washer-Flat
15	3210-5	2	Screw-HH
16	322-20	4	Screw-HH
17	322-13	4	Screw-HH
18	3256-23	18	Washer-Flat
19	3296-29	18	Nut-Lock, NI
20	322-7	2	Screw-HH
21	5-4460	5	Washer-Pivot

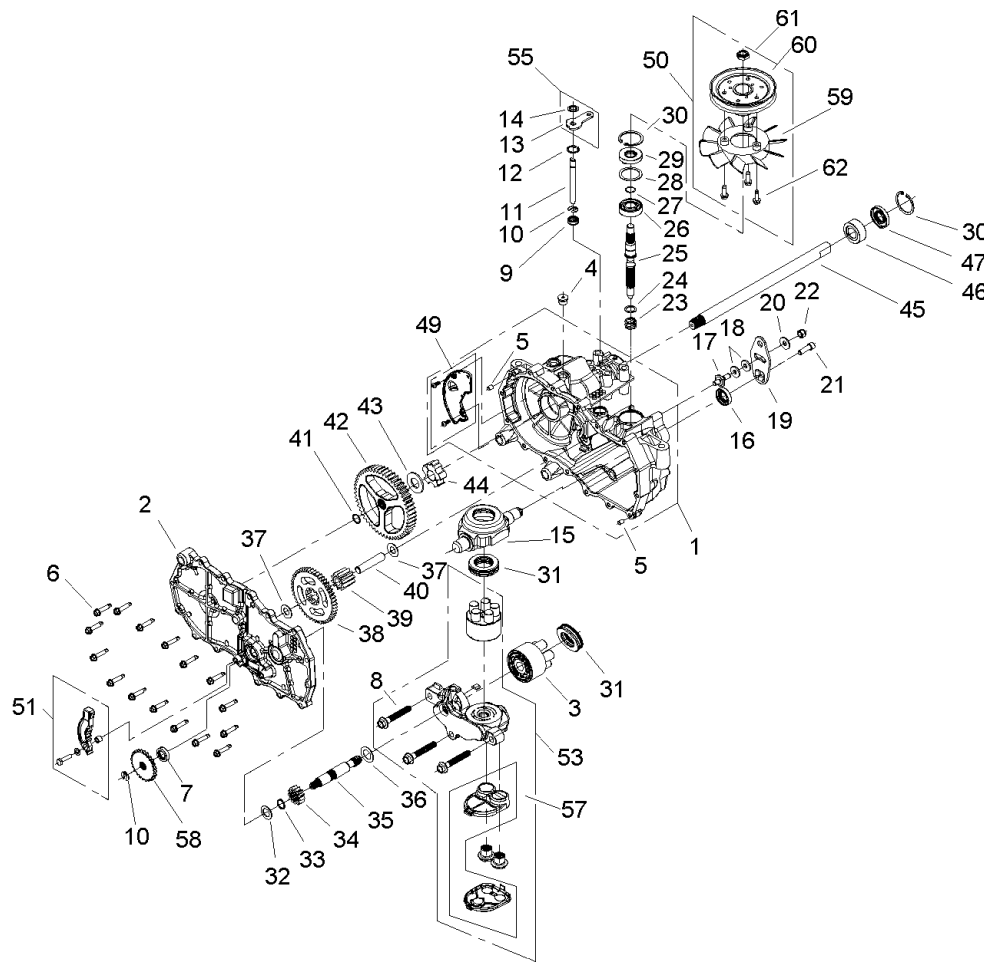
Ref	Part No.	Qty.	Description
22	106-7001	2	Washer-Wheel
24	106-7002	2	Vent Hose ASM
24:2	93-3818	1	Fitting ASM
24:2:2	93-3816	1	O-Ring
24:7	107-1701	1	Cap Vent ASM
25	322-5	6	Screw-HH
26	322-13	2	Screw-HH
28	105-7039-03	2	Support-Hydro
30	107-4875	2	Rod-Bypass
31	1-806003	2	Pin-Hair
32	108-9533	2	Hub ASM
32:2	242-50	4	Nut-Lug
33	3217-6	2	Nut-Hex



LH Hydrostat Assembly Part No. 108-2394

Ref	Part No.	Qty.	Description
1	106-8695	1	RH Main Housing ASM
2	106-8696	1	RH Side ASM
3	104-2106	1	Cylinder Block ASM
4	104-2189	1	Plug-Thread, Straight
5	104-2170	2	Pin
6	104-5305	16	Screw-HHF
7	104-5347	1	Seal-Oil
8	94-6926	3	Bolt
9	106-8676	1	Seal-Lip
10	106-8677	2	Ring-Retaining, EXT
11	106-8678	1	Rod-Bypass
12	106-8679	1	Ring-Retaining, Int
13	107-2490	1	Arm-Bypass
14	106-8681	1	Ring-Retaining, EXT
15	104-5304	1	Swashplate-Trunnion
16	104-5313	1	Seal-Lip
17	104-2116	1	Stud
18	105-1873	2	Puck-Friction
19	106-8747	1	Arm-Control
20	5-4460	1	Washer-Pivot
21	107-2488	1	Screw
22	105-1872	1	Nut
23	94-1936	1	Spring-Block
24	94-1937	1	Washer-Block, Thrust

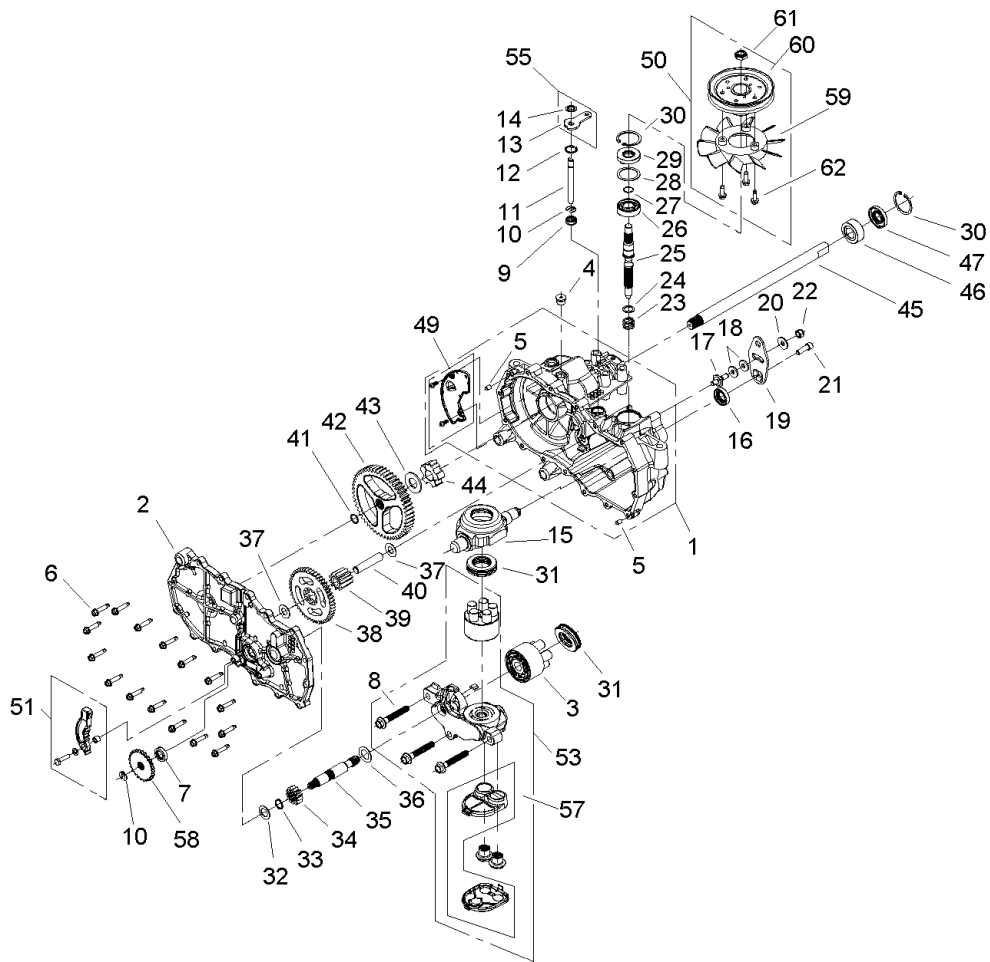
Ref	Part No.	Qty.	Description
25	104-5306	1	Shaft-Input
26	104-5311	1	Bearing-Ball
27	104-5307	1	Ring-Retaining
28	104-5308	1	Spacer
29	104-5310	1	Seal-Lip
30	104-5309	2	Ring-Retaining
31	94-6922	2	Bearing-Thrust
32	104-5339	1	Washer-Flat
33	104-5340	1	Ring-Retaining
34	104-5316	1	Gear-Pinnion, 13T
35	106-8683	1	Shaft-Motor
36	104-5360	1	Washer-Shaft, Motor
37	94-1933	2	Washer
38	104-5317	1	Gear
39	104-5318	1	Gear-Jackshaft, 10T
40	104-5329	1	Pin-Jackshaft
41	104-5328	1	Ring-Retaining, Spiral
42	106-8684	1	Gear-Bull, 52T
43	94-1943	1	Washer
44	104-5320	1	Bearing-Sleeve
45	106-8685	1	Axle
46	104-5321	1	Bearing-Sleeve, Outboard
47	104-5322	1	Seal-Lip
48	106-8686	1	Seal Kit



RH Hydrostat Assembly Part No. 108-2393

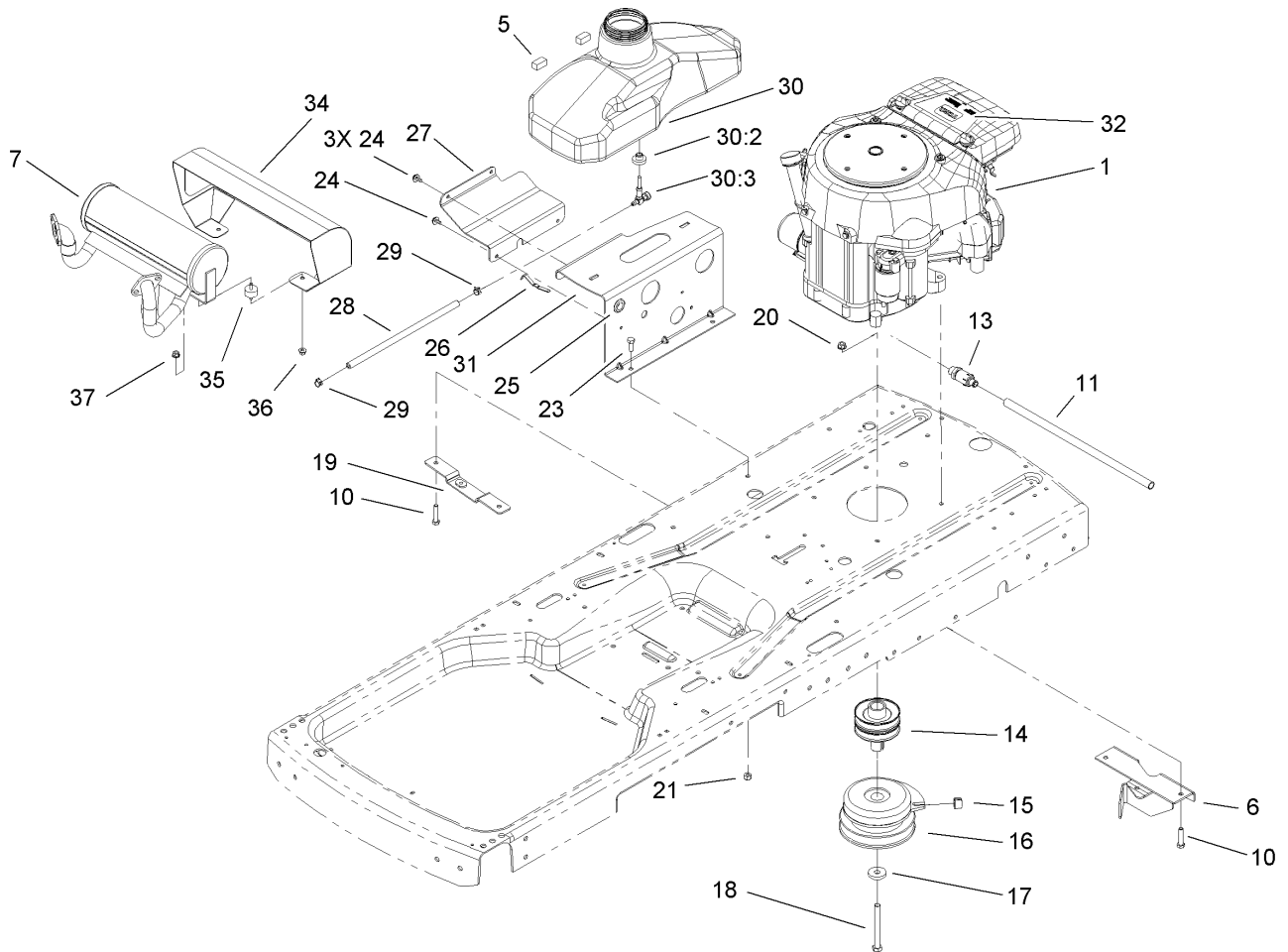
Ref	Part No.	Qty.	Description
1	106-8674	1	LH Main Housing ASM
2	106-8675	1	LH Side ASM
3	104-2106	1	Cylinder Block ASM
4	104-2189	1	Plug-Thread, Straight
5	104-2170	2	Pin
6	104-5305	16	Screw-HHF
7	104-5347	1	Seal-Oil
8	94-6926	3	Bolt
9	106-8676	1	Seal-Lip
10	106-8677	2	Ring-Retaining, EXT
11	106-8678	1	Rod-Bypass
12	106-8679	1	Ring-Retaining, Int
13	107-2490	1	Arm-Bypass
14	106-8681	1	Ring-Retaining, EXT
15	104-5304	1	Swashplate-Trunnion
16	104-5313	1	Seal-Lip
17	104-2116	1	Stud
18	105-1873	2	Puck-Friction
19	106-8747	1	Arm-Control
20	5-4460	1	Washer-Pivot
21	107-2488	1	Screw
22	105-1872	1	Nut
23	94-1936	1	Spring-Block
24	94-1937	1	Washer-Block, Thrust

Ref	Part No.	Qty.	Description
25	104-5306	1	Shaft-Input
26	104-5311	1	Bearing-Ball
27	104-5307	1	Ring-Retaining
28	104-5308	1	Spacer
29	104-5310	1	Seal-Lip
30	104-5309	2	Ring-Retaining
31	94-6922	2	Bearing-Thrust
32	104-5339	1	Washer-Flat
33	104-5340	1	Ring-Retaining
34	104-5316	1	Gear-Pinion, 13T
35	106-8683	1	Shaft-Motor
36	104-5360	1	Washer-Shaft, Motor
37	94-1933	2	Washer
38	104-5317	1	Gear
39	104-5318	1	Gear-Jackshaft, 10T
40	104-5329	1	Pin-Jackshaft
41	104-5328	1	Ring-Retaining, Spiral
42	106-8684	1	Gear-Bull, 52T
43	94-1943	1	Washer
44	104-5320	1	Bearing-Sleeve
45	106-8685	1	Axle
46	104-5321	1	Bearing-Sleeve, Outboard
47	104-5322	1	Seal-Lip
48	106-8686	1	Seal Kit



RH Hydrostat Assembly Part No. 108-2393 (continued)

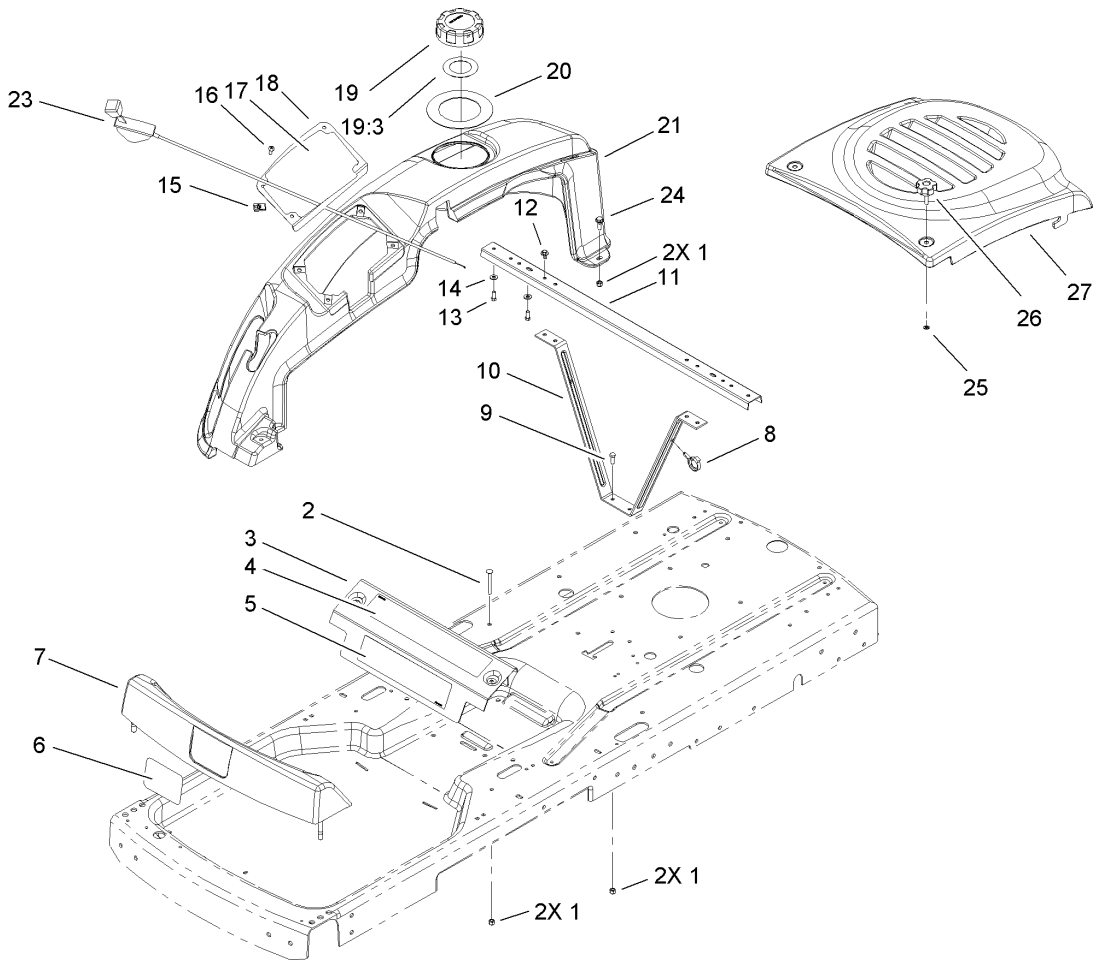
Ref	Part No.	Qty.	Description
49	106-8687	1	LH Expansion Plate Kit
50	105-1928	1	Fan Pulley Kit
51	106-8688	1	Brake Arm Kit
53	108-6189	1	LH 7-Piston Center Section Kit
54	104-2147	1	Sealant
55	107-2489	1	Bypass Arm Kit
57	106-8693	1	Filter Kit
58	106-8694	1	Disc-Brake, Cog
59	105-1927	1	Fan
60	105-1896	1	Pulley
61	105-1875	1	Nut-Lock
62	104-2120	3	Screw



Engine Assembly

Ref	Part No.	Qty.	Description
1		1	Engine-Honda, Gxv 530 Exa2Lb
5	104-2488	2	Foam-Switch, Seat
6	107-4873	1	Bracket-Pivot
7	110-8625	1	Muffler
10	322-9	4	Screw-HH
11	106-7022	1	Tube-Drain, Oil
13	92-6877	1	Valve-Drain, Oil
14	105-3472	1	Pulley-Engine
15	98-5023	1	Bumper
16	104-3334	1	Clutch-Electric
17	112843	1	Washer
18	3212-16	1	Screw-HH
19	106-2156	1	Plate-Mount, Idler
20	32128-25	4	Nut-HF
21	3296-29	2	Nut-Lock, NI
23	322-4	2	Screw-HH
24	46-8560	4	Screw-HHF
25	237-124	1	Grommet
26	609830	2	Spring
27	108-2315-03	1	Plate-Support
28	110-1876	1	Hose-Fuel
29	2412-98	2	Clamp
30	105-3464	1	Gas Tank ASM
30:2	46-6560	1	Bushing

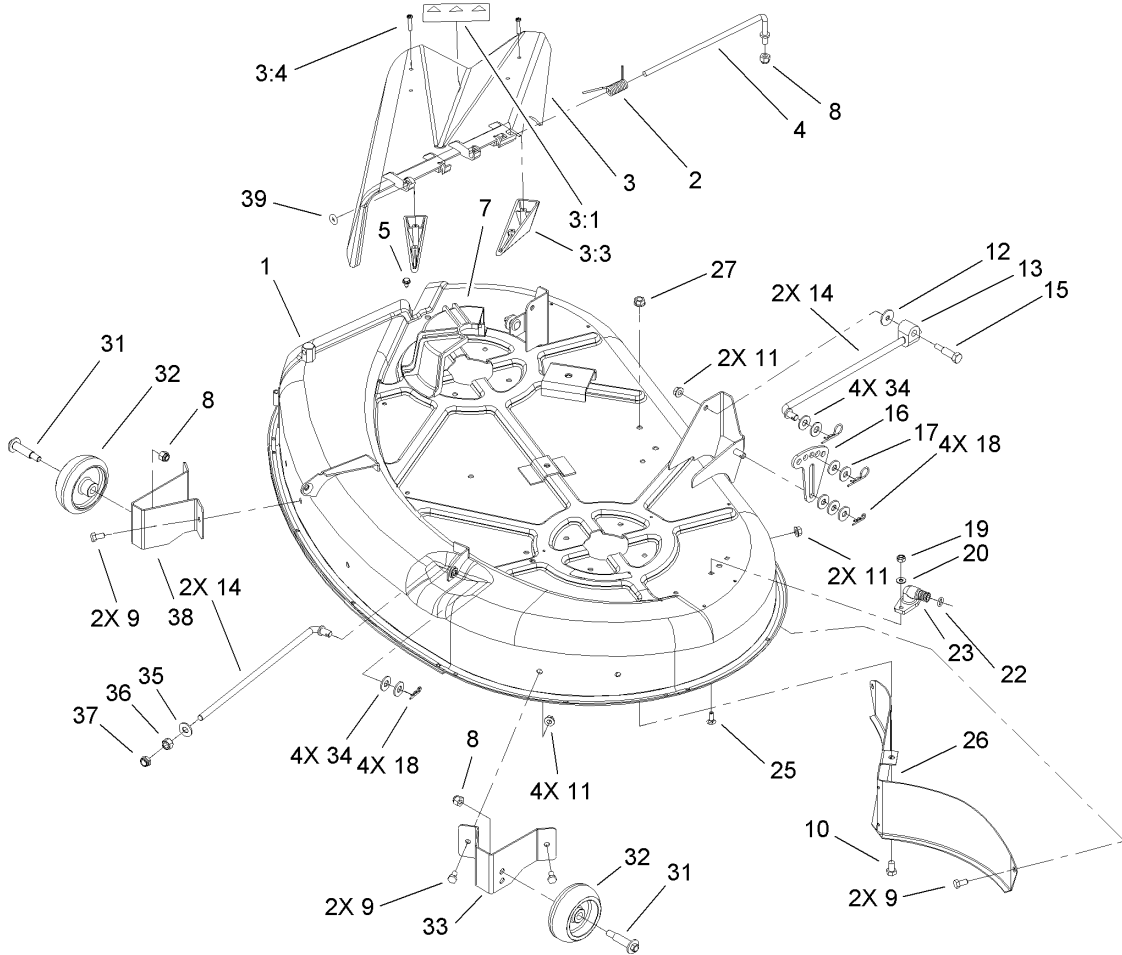
Ref	Part No.	Qty.	Description
30:3	110-6565	1	Valve-Fuel
31	108-2314-03	1	Plate-Tank
32	110-6548	1	Decal
34	110-8623-03	1	Shield-Muffler
35	108-6183	2	Isolator-Rubber
36	32128-32	2	Nut-HHF
37	32128-33	2	Nut-HF



Styling Assembly

Ref	Part No.	Qty.	Description
1	3296-42	6	Nut-Lock, NI
2	3229-7	2	Screw-CARR
3	106-2164-03	1	Bracket-Support, Front
4	107-2514	1	Decal-Danger
5	110-6550	1	Decal
6	105-6971	1	Decal
7	105-6965	1	Footrest ASM
8	105-1853	2	Clamp-Hose
9	321-4	2	Screw-HH
10	106-6994-03	1	Brace ASM
11	108-2313-03	1	Channel-Cross
12	46-8560	2	Screw-HHF
13	46-8090	4	Screw-Plastite
14	3256-22	4	Washer-Flat
15	107069	4	Clip
16	3258-166	4	Screw-PRH
17	106-2224	1	Decal-Control
18	106-2167-03	1	Panel-Control
19	88-3980	1	Gas Cap ASM
19:3	88-4010	1	Gasket-Cap, Gas
20	106-7042	1	Seal-Rubber
21	106-2161	1	Cover-Side, RH
22	106-2162	1	Cover-Side, LH
23	104-8081	1	Cable-Throttle

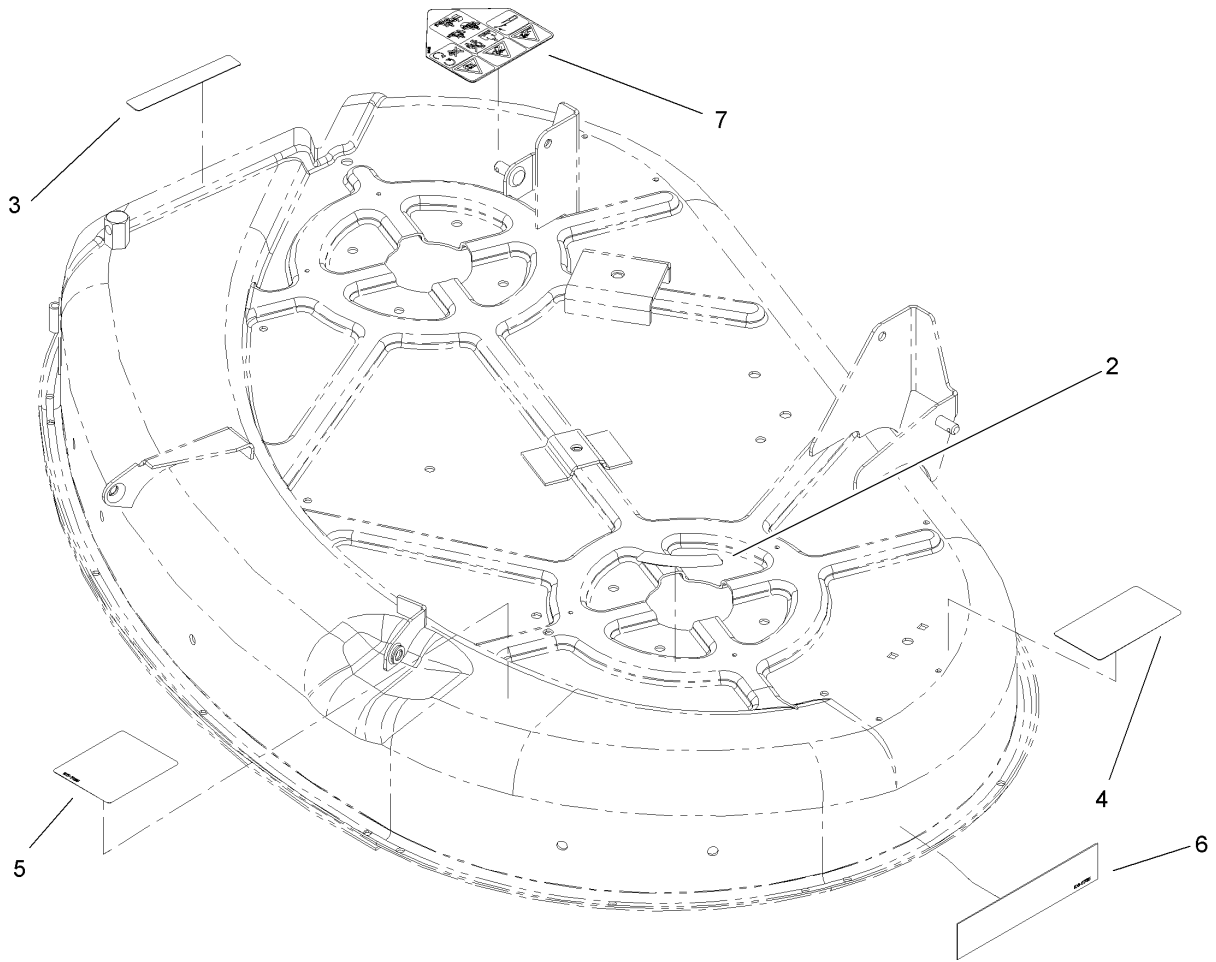
Ref	Part No.	Qty.	Description
24	11-9030	2	Screw-Shoulder
25	106-8737	2	Nut-Retainer
26	106-7017	2	Knob
27	110-8608	1	Cover-Engine



42in Deck Assembly

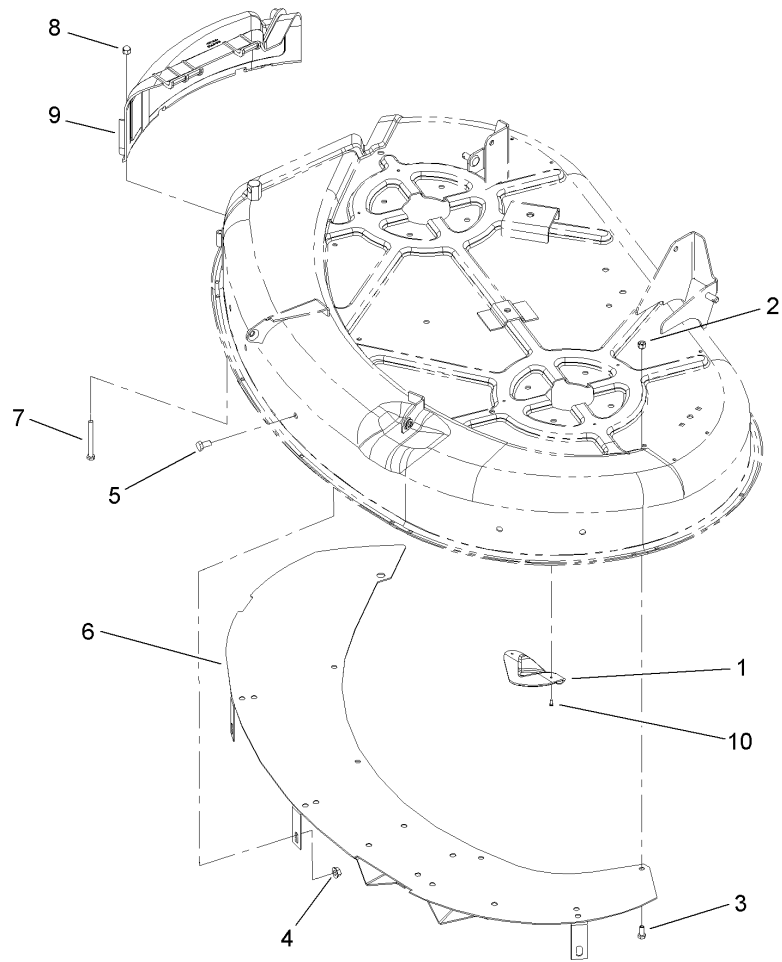
Ref	Part No.	Qty.	Description
1	110-1890	1	42 Inch Deck ASM
2	57-6950	1	Spring
3	93-7695	1	Deflector ASM
3:1	93-7010	1	Decal-Danger
3:3	93-7696	2	Kicker
3:4	93-0231	4	Screw-PPH
4	95-1661	1	Rod-Pivot
5	32104-76	5	Screw
6	88-4030	1	Guide-Belt, Deck (LH)
7	88-4020	1	Guide-Belt, Deck (RH)
8	3296-39	3	Nut-Lock, NI
9	322-2	6	Screw-HH
10	323-34	1	Screw-HH
11	32128-25	8	Nut-HF
12	5-4460	2	Washer-Pivot
13	88-4230	2	Trunnion-HOC
14	105-3437	4	Rod-Hanger
15	7-0030	2	Bolt-Shoulder
16	88-5570-03	2	Link-Adjusting, HOC
17	80-6990	10	Washer-Hardened
18	9335054	8	Pin-Hair
19	3296-16	2	Nut-Lock, NI
20	3256-1	2	Washer-Flat
22	46-6290	1	O-Ring

Ref	Part No.	Qty.	Description
23	95-2747	1	Fitting-Washout
25	3229-1	2	Screw-CARR
26	108-8513-03	1	Baffle-Rear
27	32128-21	1	Nut-HF
31	56-6591	2	Bolt-Wheel
32	701756	2	Wheel-Gage
33	106-8702-03	1	Bracket-Gage Wheel, Front (LH)
34	3256-4	8	Washer-Flat
35	3256-25	2	Washer-Flat
36	3219-4	2	Nut-Hex
37	3296-38	2	Nut-Lock, NI
38	106-8701-03	1	Bracket-Gage Wheel, Front (RH)
39	106-8745	1	O-Ring



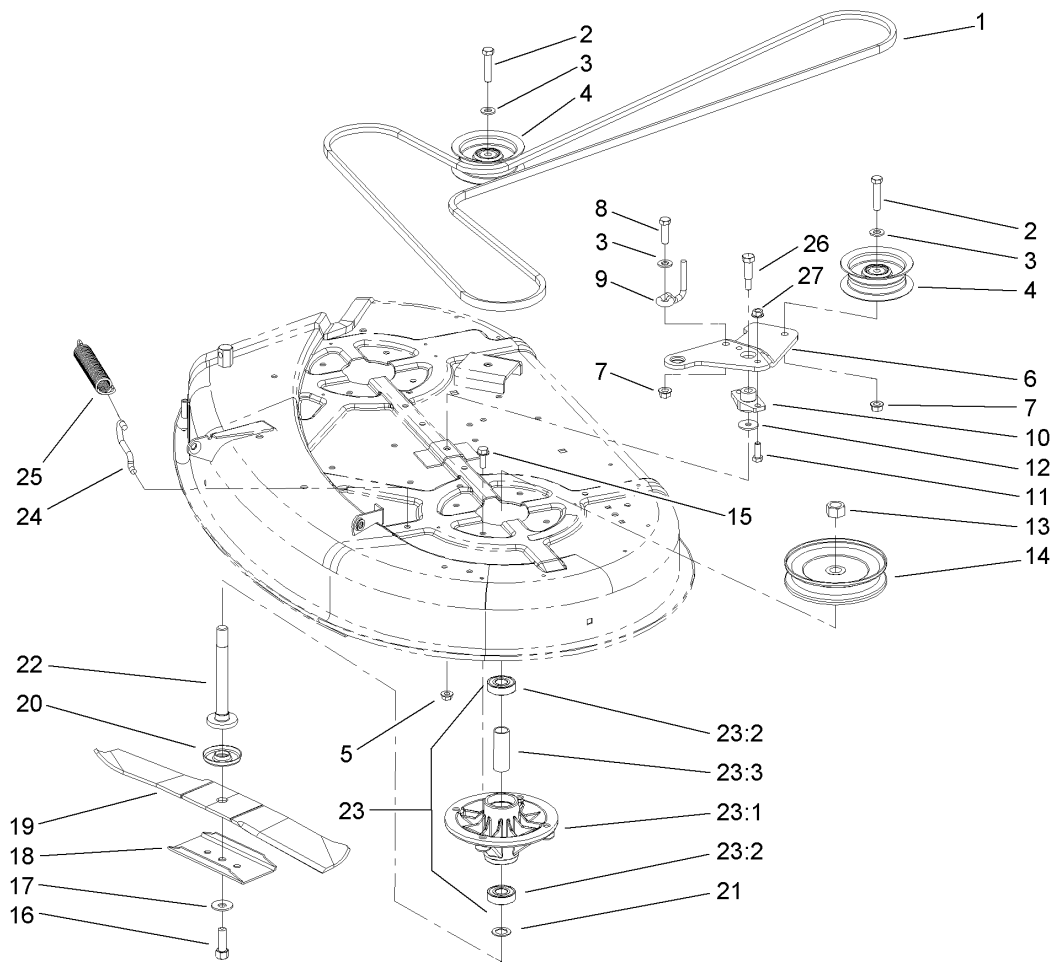
42in Deck Assembly No. 110-1890

Ref	Part No.	Qty.	Description
2	93-6677	1	Decal-Shield, Danger
3	93-7009	1	Decal-Danger
4	93-7010	1	Decal-Danger
5	105-7015	1	Decal-Routing, Belt
6	106-8735	1	Decal
7	110-1868	1	Decal-Danger, Shield



Recycler Assembly

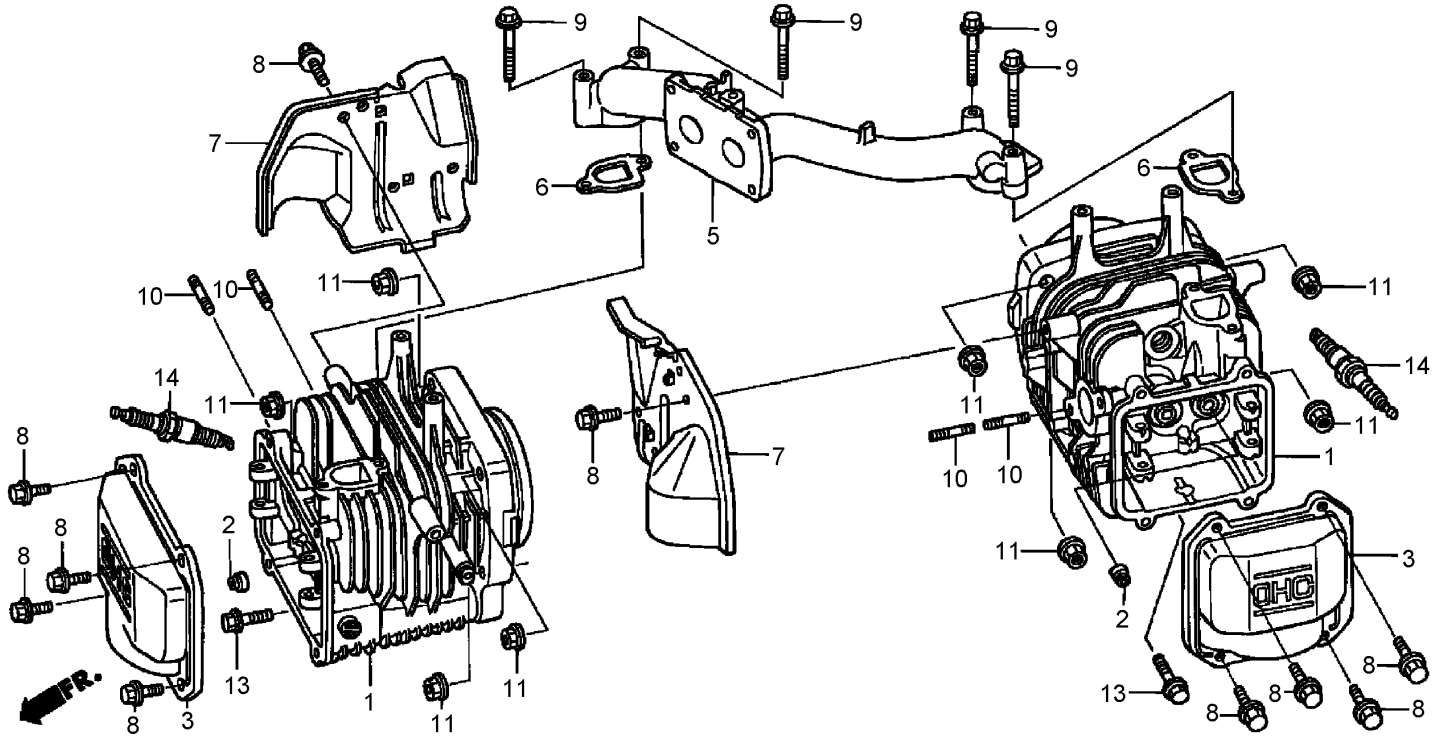
Ref	Part No.	Qty.	Description				
1	76-2160	3	Plate-Kicker				
2	3296-42	4	Nut-Lock, NI				
3	321-3	4	Screw-HH				
4	32128-25	1	Nut-HF				
5	322-2	1	Screw-HH				
6	107-7316-03	1	Baffle Upper ASM				
7	321-14	2	Screw-HH				
8	32111-7	2	Nut-Cap				
9	107-2527	1	Cover-Discharge, Deck				
10	32144-111	6	Screw-PPH				



Spindle and Belt Drive Assembly

Ref	Part No.	Qty.	Description
1	106-2173	1	Belt-V
2	323-9	2	Screw-HH
3	3256-24	3	Washer-Flat
4	106-2175	2	Pulley-Idler, Flat
5	32128-25	1	Nut-HF
6	107-2467-03	1	Arm-Idler
7	32128-21	2	Nut-HF
8	323-7	1	Screw-HH
9	107-7307	1	Guide-Idler, Belt
10	88-4980	1	Bushing-Arm, Idler
11	322-4	2	Screw-HH
12	5-4460	1	Washer-Pivot
13	3219-6	2	Nut-Hex
14	88-5330	2	Pully-Deck
15	32144-41	8	Screw-Taptite
16	26-0671	2	Screw-Blade
17	3290-465	2	Washer-Belleville
18	106-2248-03	2	Stiffener-Blade
19	106-2247-03	2	Blade
20	80-4360	2	Shield-Bearing
21	80-4380	2	Spacer
22	80-4341	2	Shaft
23		2	Spindle ASM
23:1	88-4510	1	Housing-Spindle

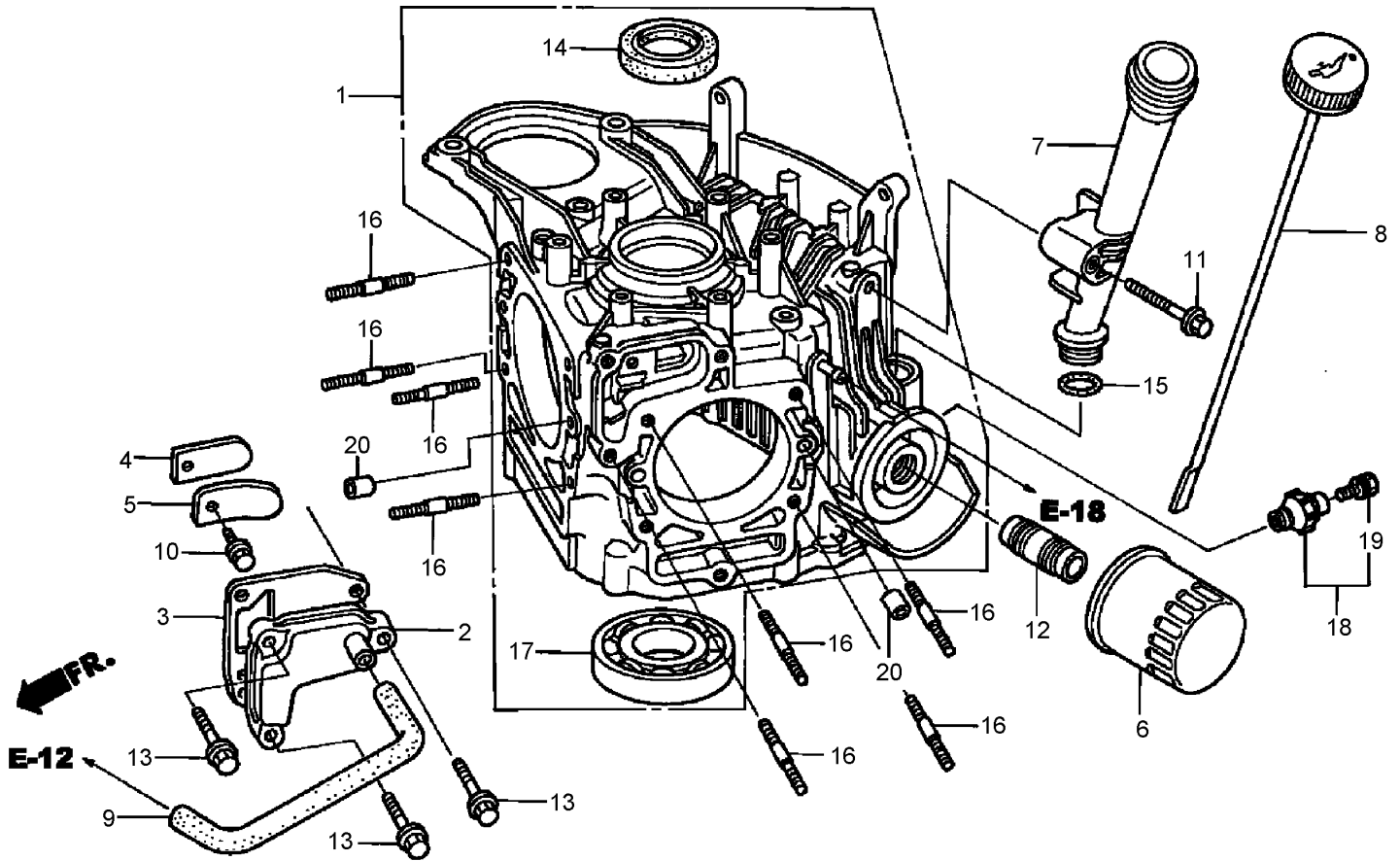
Ref	Part No.	Qty.	Description
23:2	100-1048	2	Bearing-Ball
23:3	62-3661	1	Spacer-Bearing
24	88-5970	1	Hook-Return, Spring
25	106-2177	1	Spring-Extension
26	7-0030	1	Bolt-Shoulder
27	3296-29	2	Nut-Lock, NI



Cylinder Assembly Honda GXV530 EXA2LB

Ref	Part No.	Qty.	Description
●1	12100-Z0A-406	2	Cylinder
●2	12209-422-005	2	Seal-Stem, Valve
●3	12311-Z0A-000	2	Cover-Head
●5	17101-Z0A-000	1	Manifold-Intake
●6	17151-Z0A-000	2	Gasket-Manifold, Intake
●7	19631-Z0A-000	2	Shroud
●8	90013-883-000	10	Bolt-Flange (6X12) (C T200)
●9	90016-ZE8-000	4	Bolt-Flange (6X45) (C T200)
●10	90045-892-000	4	Bolt-Stud (6X28)
●11	90201-Z0A-000	8	Nut-Flange (8Mm)
●13	95701-06030-00	2	Bolt-Flange (6X30)
●14	98079-54846	2	Spark Plug (B P R4E S) (N G K)
●14	98079-54855	2	Spark Plug (W14E P R-U) (Denso)
●14	98079-55846	2	Spark Plug (B P R 5E S) (N G K)

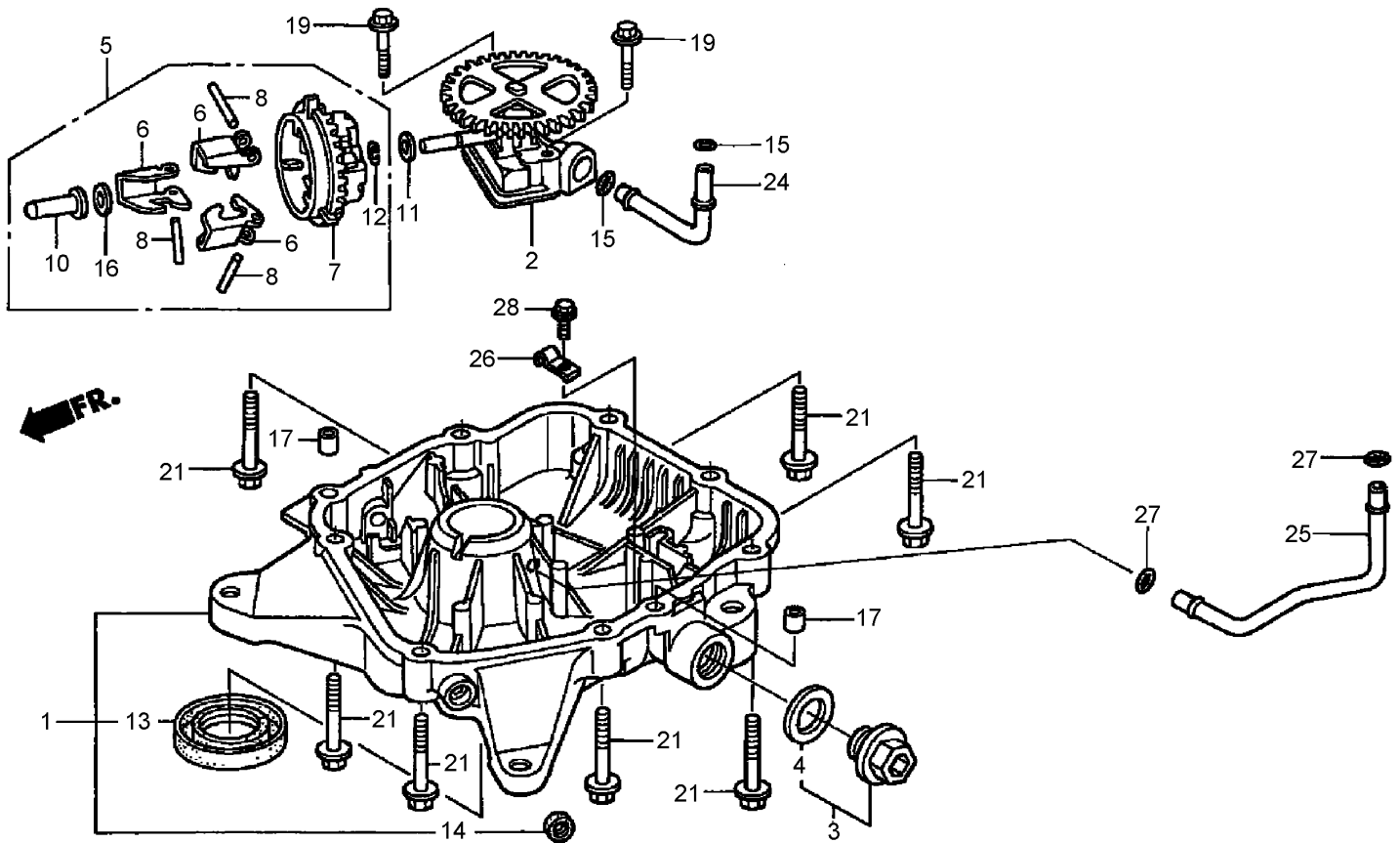
Ref	Part No.	Qty.	Description
●14	98079-55855	2	Spark Plug (W16E P R-U) (Denso)



Crankcase Assembly Honda GXV530 EXA2LB

Ref	Part No.	Qty.	Description
●1	11100-Z0A-409	1	Crankcase ASM (840)
●2	12356-Z0A-000	1	Cover-Breather
●3	12358-Z0A-000	1	Gasket-Cover, Breather
●4	12372-ZA0-701	1	Plate-Valve
●5	12374-Z0A-000	1	Stopper-Valve
●6	15410-MCJ-000	1	Filter-Oil (Toyo Roki)
●7	15631-Z0A-000	1	Extension-Filler, Oil
●8	15655-Z0A-800	1	Dipstick-Oil
●9	15721-Z0A-000	1	Tube-Breather
●10	90002-892-000	1	Bolt-Flange (5X10)
●11	90016-ZE8-000	1	Bolt-Flange (6X45) (C T200)
●12	90018-PN3-000	1	Holder-Filter, Oil
●13	90121-952-000	3	Bolt-Flange (6X25) (C T 200)

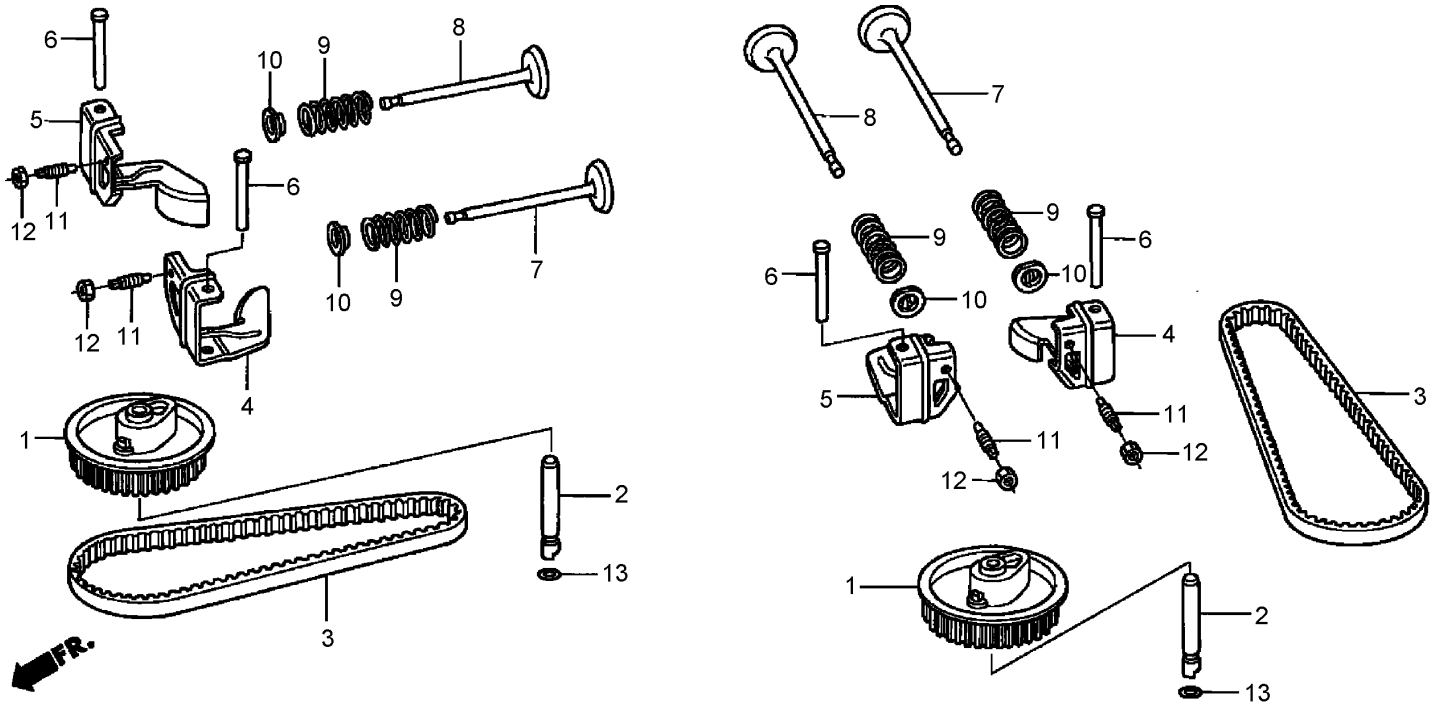
Ref	Part No.	Qty.	Description
●14	91201-ZE3-004	1	Seal-Oil (35X5X8)
●15	91301-ZE9-003	1	O-Ring (22.5X2.2)
●16	92900-08028-0E	8	Bolt-Stud (8X28)
●17	96100-62070-00	1	Bearing-Ball, Radial
●18	35490-Z0A-003	1	Oil Pressure Switch ASM
●19	90002-PA6-003	1	Bolt-Washer (4X8) (Denso)
●20	94301-08140	4	Pin-Dowel (8X14)



Oil Pan Assembly Honda GXV530 EXA2LB

Ref	Part No.	Qty.	Description
❶	11300-Z0A-830	1	Oil Pan ASM
❷	15100-Z0A-811	1	Oil Pump ASM
❸	15550-Z0A-810	1	Drain Cap ASM
❹	15625-ZE1-003	1	Gasket-Cap, Oil Filler
❺	16510-Z0A-000	1	Governor ASM
❻	16511-Z0A-000	3	Weight-Governor
❼	16512-Z0A-000	1	Holder-Weight, Governor
❽	16513-ZE2-000	3	Pin-Weight, Governor
❿	16531-Z0A-000	1	Slider-Governor
⓫	90473-147-000	1	Washer (6X16)
⓬	90602-ZE1-000	1	Clip-Holder, Governor
⓭	91202-Z0A-003	1	Seal-Oil (31X50X8)
⓮	91259-VM0-000	1	Seal-Oil (10X16X4.5)

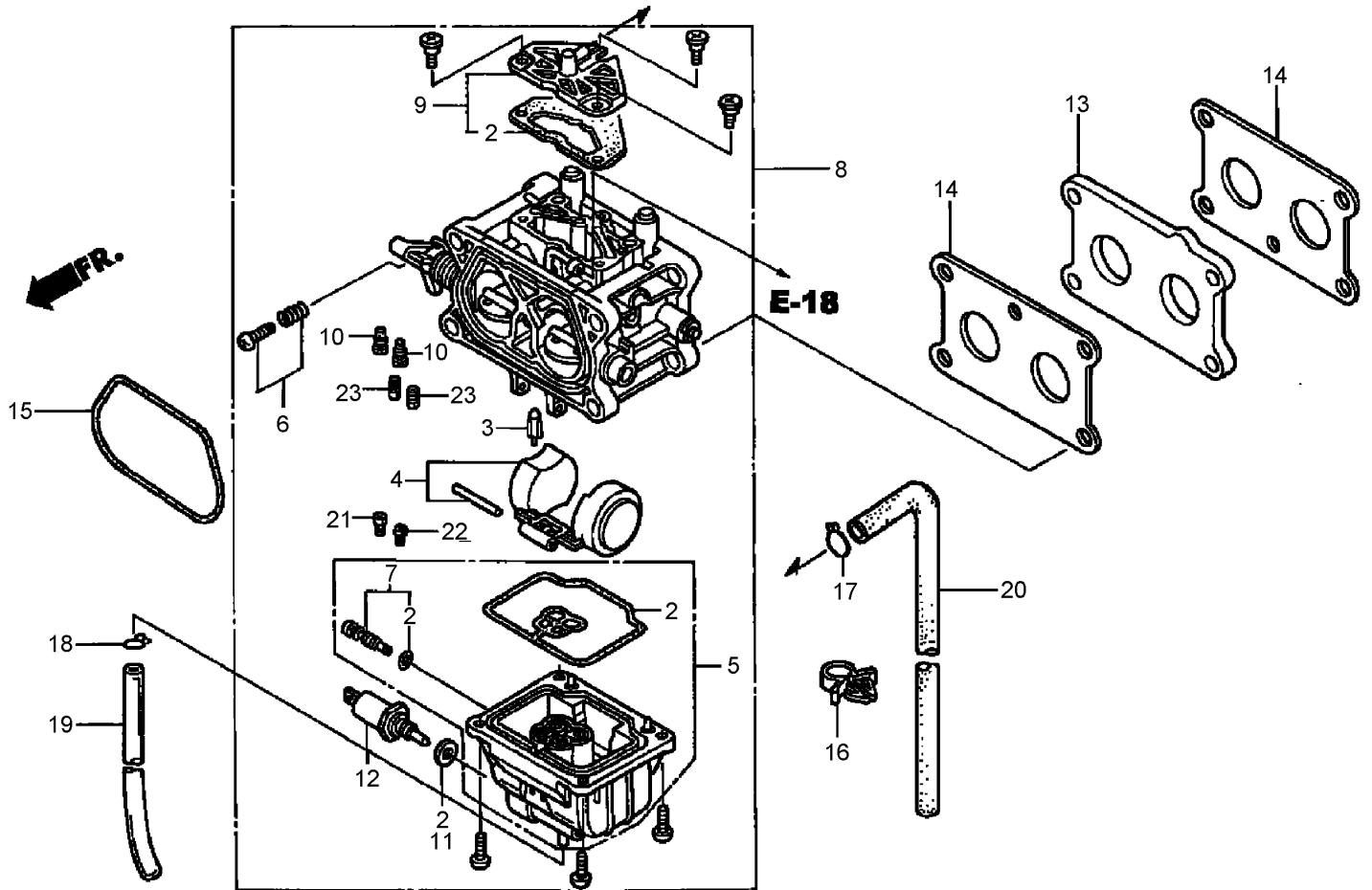
Ref	Part No.	Qty.	Description
⓯	91301-Z0A-003	2	O-Ring (7.5X2.3)
⓰	94101-06800	1	Washer-Plain (6Mm)
⓱	94301-08140	2	Pin-Dowel (8X14)
⓲	95701-06035-00	1	Bolt-Flange (6X35)
⓳	95701-08040-00	7	Bolt-Flange (8X40)
⓴	15161-Z0A-000	1	Pipe-Pump, Oil
⓵	15162-Z0A-800	1	Pipe-Supply, Oil
⓶	15163-Z0A-000	1	Holder-Pipe, Oil
⓷	91302-Z0A-003	2	O-Ring (5.8X2)
⓸	95701-06012-00	1	Bolt-Flange (6X12)



Camshaft Assembly Honda GXV530 EXA2LB

Ref	Part No.	Qty.	Description
❶	14320-Z0A-000	2	Pulley-Camshaft
❷	14324-ZL8-000	2	Shaft-Pulley, Cam
❸	14400-Z0A-003	2	Belt-Timing (97Hu8 G-200)
❹	14431-Z0A-000	2	Arm-Valve Rocker, Intake
❺	14441-Z0A-000	2	Arm-Valve Rocker, Exhaust
❻	14461-Z0A-000	4	Shaft-Arm, Rocker
❼	14711-Z0A-000	2	Valve-Intake
❽	14721-Z0A-000	2	Valve-Exhaust
❾	14751-ZE1-000	4	Spring-Valve
❿	14771-ZE1-000	4	Retainer-Spring, Valve (Intake)
⓫	90012-333-000	4	Screw-Adjusting, Tappet
⓬	90206-001-000	4	Nut-Adjusting, Tappet
⓭	91301-ZM0-V31	2	O-Ring (6.8X19) (Arai)

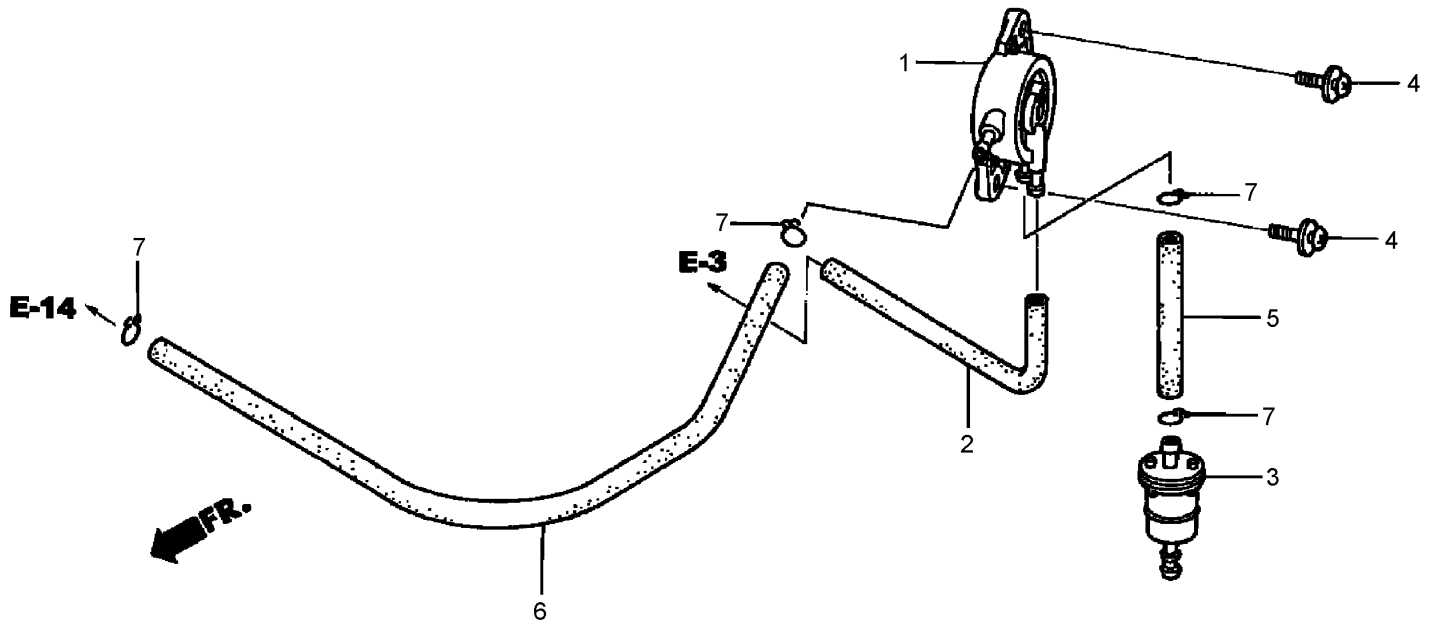
--	--	--	--



Carburetor Assembly Honda GXV530 EXA2LB

Ref	Part No.	Qty.	Description
●2	16010-Z0A-802	1	Gasket Set
●3	16011-Z0A-004	1	Valve-Float
●4	16013-Z0A-004	1	Float Set
●5	16015-Z0A-802	1	Float Chamber Set
●6	16016-Z0A-004	1	Screw-Set
●7	16024-Z0A-004	1	Screw-Set, Drain
●8	16100-Z0A-813	1	Carburetor ASM (Up To Engine Serial No. 1014986)
●8	16100-Z0A-814	1	Carburetor ASM (Bw02B C) (Up To Engine Serial No. 1027210)
●8	16100-Z0A-815	1	Carburetor ASM (Bw02B C) (From Engine Serial No.1027211 To 1061017)
●8	16100-Z0P-V02	1	Carburetor ASM (Bw02C A) (From Engine Serial No. 1061018)
●9	16139-Z0A-004	1	Air Vent Cover Set
●10	16168-Z0A-004	2	Cap
●11	16178-Z0A-802	1	Gasket

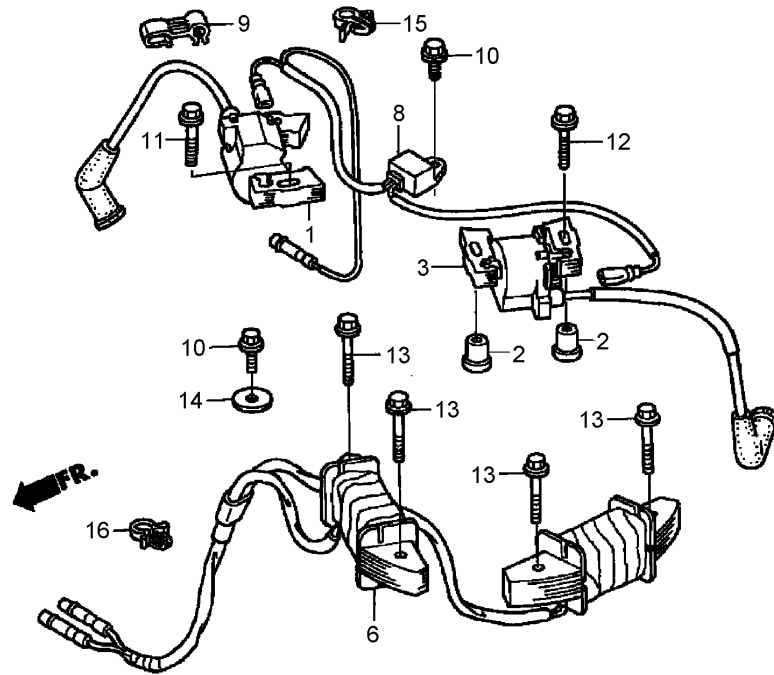
Ref	Part No.	Qty.	Description
●12	16200-Z0A-802	1	Solenoid Valve ASM
●13	16211-Z0A-000	1	Insulator-Carburetor
●14	16212-Z0A-000	2	Gasket-Insulator
●15	17228-Z0A-003	1	Gasket-Cleaner, Air
●16	90659-680-013	1	Clip-Harness, Wire
●17	95002-02080	1	Clip-Tube (B8)
●18	95002-02650	1	Clip-Tube (B6.5)
●19	95003-07008-60M	1	Hose-Bulk, Vinyl (4X7X8000) (4X7X300)
●19	95003-07008-60M	1	Hose-Bulk, Vinyl (4X7X8000) (4X7X300)
●20	95005-45001-20M	1	Hose-Bulk, Vacuum (45X1000) (45X400)
●20	95005-45001-20M	1	Hose-Bulk, Vacuum (45X1000) (45X400)
●21	99131-Z0A-0820	1	Jet-Main (No. 82.5)
●21	99131-Z0A-0850	1	Jet-Main (No. 85)
●21	99131-Z0A-0870	1	Jet-Main (No. 87.5)



Fuel Pump Assembly Honda GXV530 EXA2LB

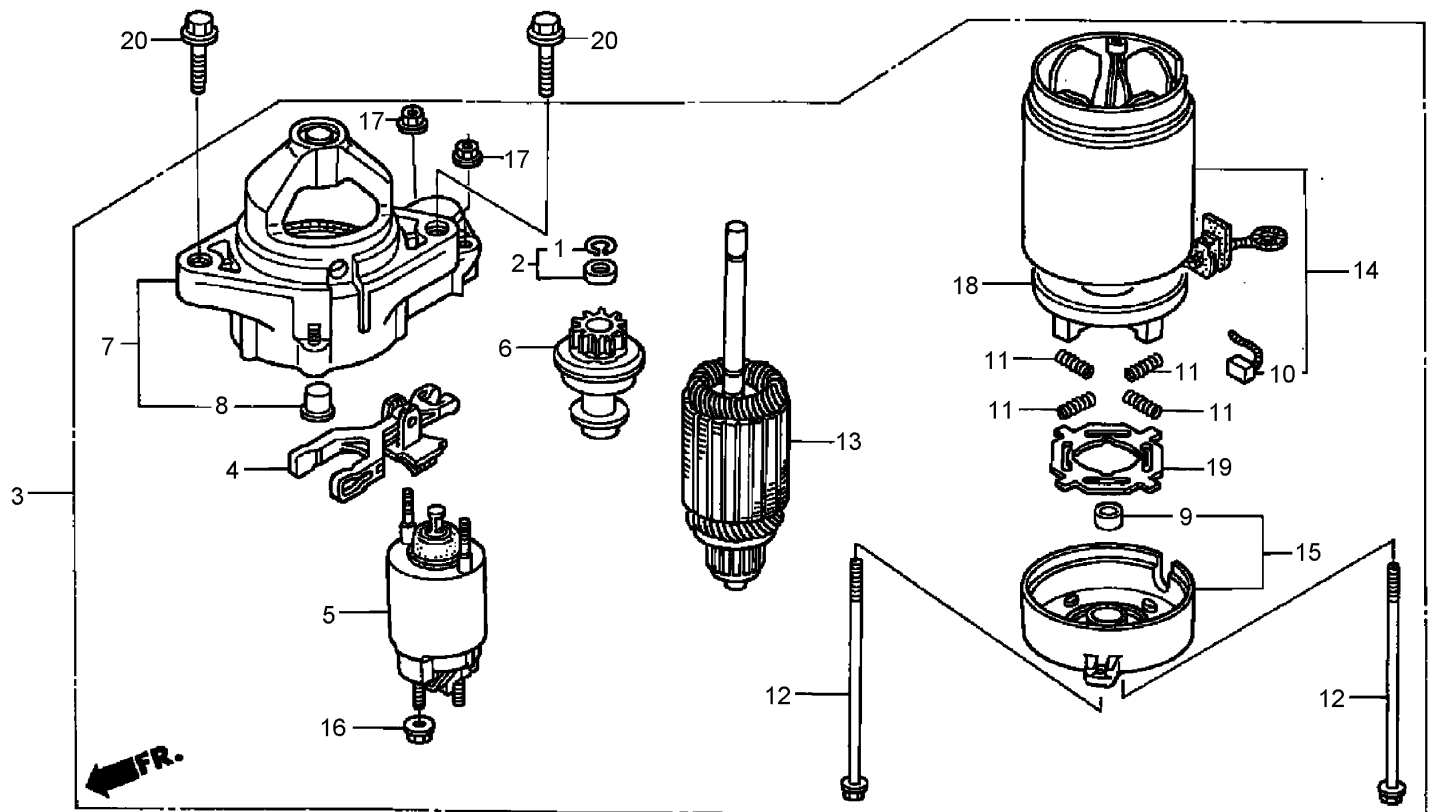
Ref	Part No.	Qty.	Description
❶	16700-ZL8-013	1	Fuel Pump ASM
❷	16882-Z0A-000	1	Tube-Diaphragm
❸	16910-ZV4-015	1	Filter-Fuel
❹	93894-05016-00	2	Screw-Washer (5X16)
❺	95001-55008-60M	1	Fuel-Hose (5.5X8000) (5.5X100)
❻	95001-55008-60M	1	Fuel-Hose (5.5X8000) (5.5X100)
❼	95002-02100	4	Clip-Tube (B10)

--	--	--	--



Ignition Coil Assembly Honda GXV530 EXA2LB

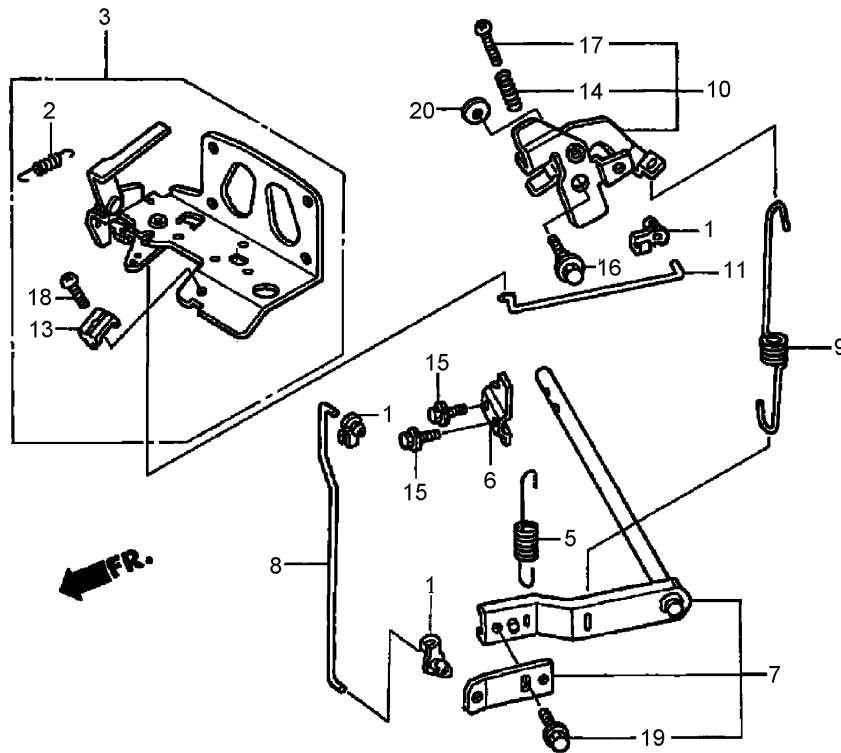
Ref	Part No.	Qty.	Description				
❶	30500-Z0A-013	1	Ignition Coil ASM (No. 1)				
❷	30509-Z0A-000	2	Collar-Coil, Ignition				
❸	30550-Z0A-013	1	Ignition Coil ASM (No. 2)				
❻	31630-Z0A-811	1	Charge Coil ASM (12V-12A)				
❸	31740-Z0A-003	1	Engine Stop Diode ASM				
❹	32768-PJ7-000	1	Clamp-Wire, Center				
❺	90013-883-000	2	Bolt-Flange (6X12) (C T200)				
❻	95701-06028-00	1	Bolt-Flange (6X28)				
❼	90016-ZE8-000	1	Bolt-Flange (6X45) (C T200)				
❽	95701-06032-00	4	Bolt-Flange (6X32)				
❾	90136-428-870	1	Washer-Setting, Tank				
❿	90654-SA4-003	1	Clip-Harness, Wire (6Mm) (White)				
⓫	90659-PG6-000	1	Clip-Harness, Wire				



Starter Motor Assembly Honda GXV530 EXA2LB

Ref	Part No.	Qty.	Description
1	30201-PH9-004	1	Ring-Snap (Denso)
2	30202-PZ1-003	1	Clutch Stop Collar Set
3	31200-Z0A-003	1	Starter Motor ASM
4	31203-PH9-004	1	Lever-Drive, Pinion
5	31204-ZG4-801	1	Magnetic Switch ASM
6	31207-Z0A-003	1	Clutch-Overrunning
7	31208-Z0A-003	1	Housing-Drive Side
8	31209-PH9-004	1	Bearing (A)
9	31210-PH9-004	1	Bearing (B)
10	31211-PH9-004	4	Brush
11	31212-PH9-004	4	Spring-Brush
12	31214-PH9-004	2	Bolt-Through
13	31217-Z0A-003	1	Armature

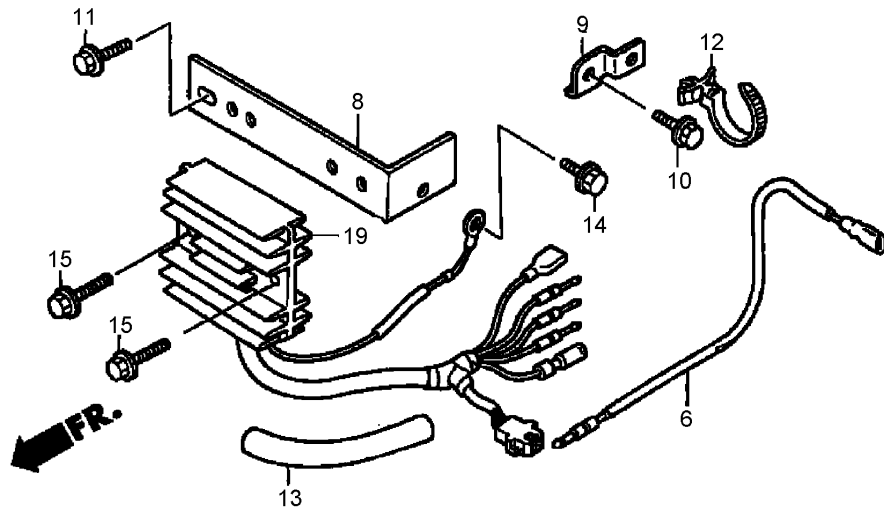
Ref	Part No.	Qty.	Description
14	31218-P64-N01	1	Yoke
15	31219-Z0A-003	1	Frame-End, Commutator
16	31220-PH9-004	1	Nut-Hex (8Mm)
17	31223-PA0-006	2	Nut-Flange (5Mm)
18	31231-PH9-004	1	Holder-Brush
19	31233-PH9-004	1	Insulator-Holder, Brush
20	95701-10040-00	2	Bolt-Flange (10X40)



Control Assembly Honda GXV530 EXA2LB

Ref	Part No.	Qty.	Description
❶	16263-ZJ7-871	3	Rod-Joint
❷	16268-Z0A-300	1	Spring-Return, Choke
❸	16500-Z0A-000	1	Control ASM (1-Lever)
❺	16534-Z0A-000	1	Spring-Starter (Up To Engine Serial No. 1014986)
❺	16534-Z0P-V00	1	Spring-Starter (From Engine Serial No. 1038646)
❻	16542-Z0A-000	1	Fork-Governor
❼	16550-Z0A-000	1	Arm-Governor
❸	16555-Z0A-000	1	Rod-Governor
❹	16561-Z0A-000	1	Spring-Governor
❶	16565-Z0A-000	1	Link-Governor
❶	16566-Z0A-000	1	Rod-Link, Governor
❶	16576-891-000	2	Holder-Cable
❶	16584-883-300	1	Spring-Adjusting, Control

Ref	Part No.	Qty.	Description
❶	90002-892-000	2	Bolt-Flange (5X10)
❶	90015-Z0A-000	1	Bolt-Flange (6Mm) (C T200)
❶	90016-ZG9-N30	1	Screw-Recessed (5X25)
❶	90016-Z0A-V00	2	Screw-Recessed (5X18)
❶	95701-06010-00	1	Bolt-Flange (6X10)
❶	94101-06800	1	Washer-Plain (6Mm)



Regulator Rectifier and Sub-Wire Harness Assembly Honda GXV530 EXA2LB

Ref	Part No.	Qty.	Description				
6	32105-Z0A-000	1	Sub-Wire Harness ASM				
8	31758-Z0A-800	1	Bracket-Regulator				
9	35806-752-630	1	Base-Clip				
10	90013-883-000	1	Bolt-Flange (6X12) (C T200)				
11	90014-952-000	2	Bolt-Flange (6X14) (C T200)				
12	90672-SB2-003	1	Strap-Cable (105Mm) (N H1 Black)				
13	91406-ZB3-740	1	Tube-Wire				
14	95701-06008-00	1	Bolt-Flange (6X8)				
15	95701-06020-00	2	Bolt-Flange (6X20)				
19	31750-Z0A-V01	1	Regulator Rectifier ASM				

Attachments and Accessories

For 74425 - TimeCutter Z530 Riding Mower

Product Name	Model/Part
Smooth Caster Wheel Kit	105-1856
Tire Chains	107-1738
Armrest Kit	108-6163
42 Inch Deck Ring Kit	110-6509
42 Inch Twin Bagger	79214
48 Inch Snow Blade	79216

