



TimeCutter™ Z420 Riding Mower

Model No. 74327 - 260020000 and up.

Parts Catalog

Ordering Replacement Parts

To order replacement parts, please supply the part number, the quantity, and the description of each part desired.

Understanding Reference Numbers

Each identified part in an illustration has a reference number. The reference number for a part also appears in the parts list, along with other information about the part.

This catalog uses two special reference number formats, one to indicate parts in a service assembly and another to indicate the quantity of a given part in an illustration.

Service Assembly Reference Numbers

Parts in service assemblies have reference numbers in the form a:b. The a represents the reference number of the entire service assembly and the b represents a sequential number unique to each part within the service assembly.

For example, a wheel assembly might be identified by reference number 6, the tire by 6:1, the valve by 6:2, and the wheel by 6:3. When you order the assembly identified by reference number 6, you receive all parts identified by reference numbers 6:1, 6:2, and 6:3. However, you may also order any part individually. Reference numbers of this type appear in illustrations and in part lists.

Reference Numbers Indicating Quantity

In an illustration, if a reference number indicates more than one part, the reference number has the form nX y. The n represents the quantity of the part, the X is the multiplication symbol, and the y represents the reference number.

For example, in an illustration, the reference number 2X 37 means that two of the parts identified by reference number 37 are indicated.

Contents

Description	Page	Description	Page
Frame Assembly 3	Crankshaft Assembly Briggs and Stratton 286H77-0165-E1 19
Seat Assembly 4	Crankcase Assembly Briggs and Stratton 286H77-0165-E1 20
Control Assembly 5	Oil Filter, Tube and Pump Assembly Briggs and Stratton 286H77-0165-E1 21
Hydro and Drive Belt Assembly 6	Carburetor Assembly Briggs and Stratton 286H77-0165-E1 22
LH Hydrostat Assembly Part No. 108-2394 7	Governor Assembly Briggs and Stratton 286H77-0165-E1 23
RH Hydrostat Assembly Part No. 108-2393 9	Blower Housing Assembly Briggs and Stratton 286H77-0165-E1 24
Engine Assembly 11	Starter Assembly Briggs and Stratton 286H77- 0165-E1 25
Styling Assembly 12	Gasket Assembly Briggs and Stratton 286H77- 0165-E1 26
42in Deck Assembly 13	Carburetor Overhaul Kit Briggs and Stratton 286H77-0165-E1 27
42in Deck Assembly No. 110-1895 14	Attachments and Accessories List 28
Spindle and Belt Drive Assembly 15		
Electrical Assembly 16		
Cylinder Assembly Briggs and Stratton 286H77-0165-E1 17		
Cylinder Head Assembly Briggs and Stratton 286H77-0165-E1 18		

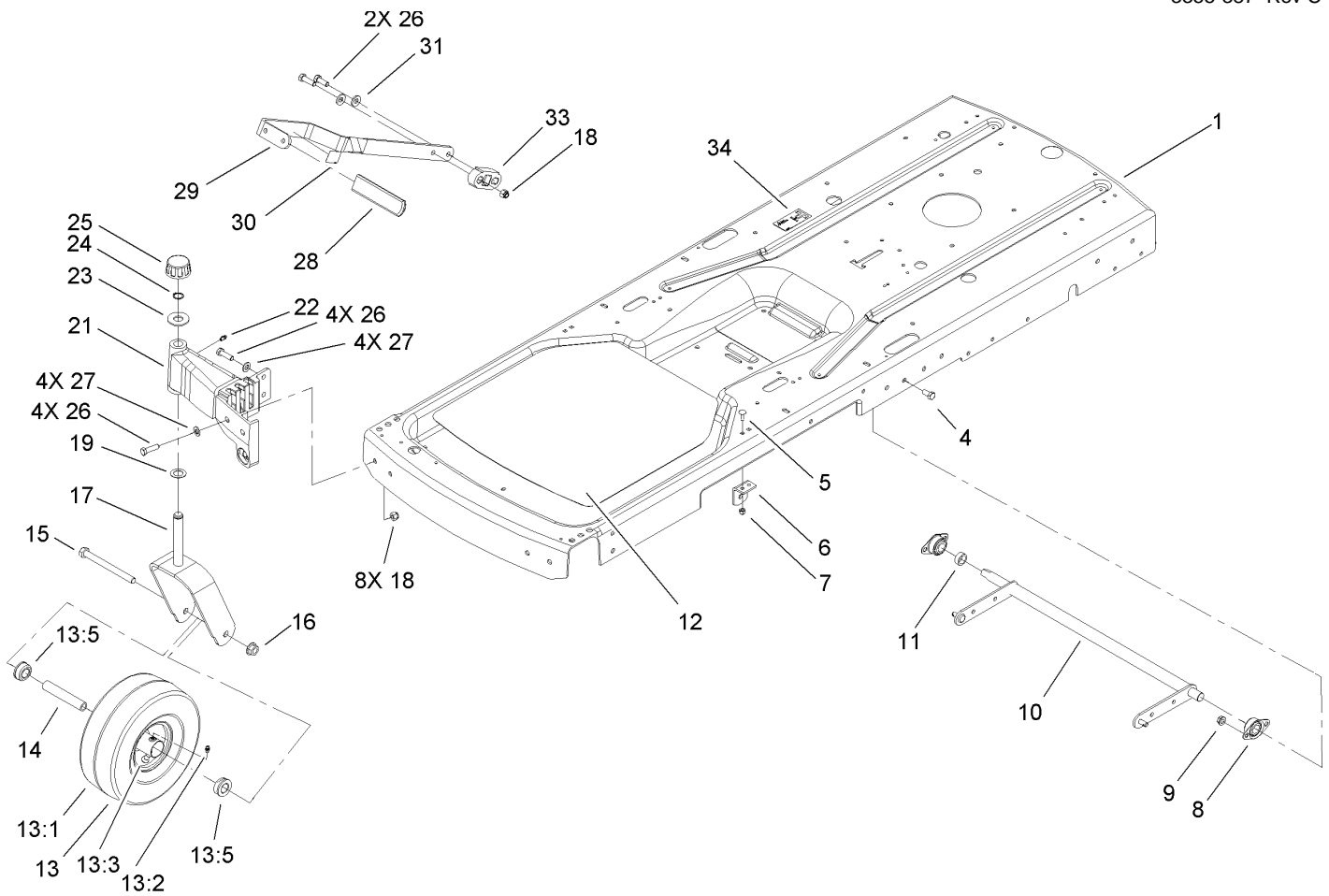
Part Description Abbreviations

Part descriptions in this catalog may include the following abbreviations.

AR. as required	HYD. hydraulic
ASM. assembly	LH. left hand
BBC. blade brake clutch	NI. nylon insert
CARR. carriage	NPTF. national pipe thread fine
DEG. degrees	PFH. phillips flat head
EXT. external	PPH. phillips pan head
FH. flat head	PPHTF. phillips pan head thread forming
GA. gauge	PRH. phillips round head
HD. heavy-duty	PTH. phillips truss head
HF. hex flange	PTO. power-take-off
HH. hex head	RH. right hand
HHF. hex head flange	ROPS. roll-over protection system
HHFTF. hex head flange thread forming	SFH. slotted fillister head
HJ. hex jam	SHH. slotted hex head
HLH. hex lag head	SHWH. slotted hex washer head
HOC. height-of-cut	SPH. slotted pan head
HSBH. hex socket button head	SQH. square head
HSFH. hex socket flat head	SRH. slotted round head
HSH. hex socket head	STD. standard
HWH. hex washer head	TAP. self tapping
HWHTF. hex washer head thread forming	TTH. torx truss head

Footnotes

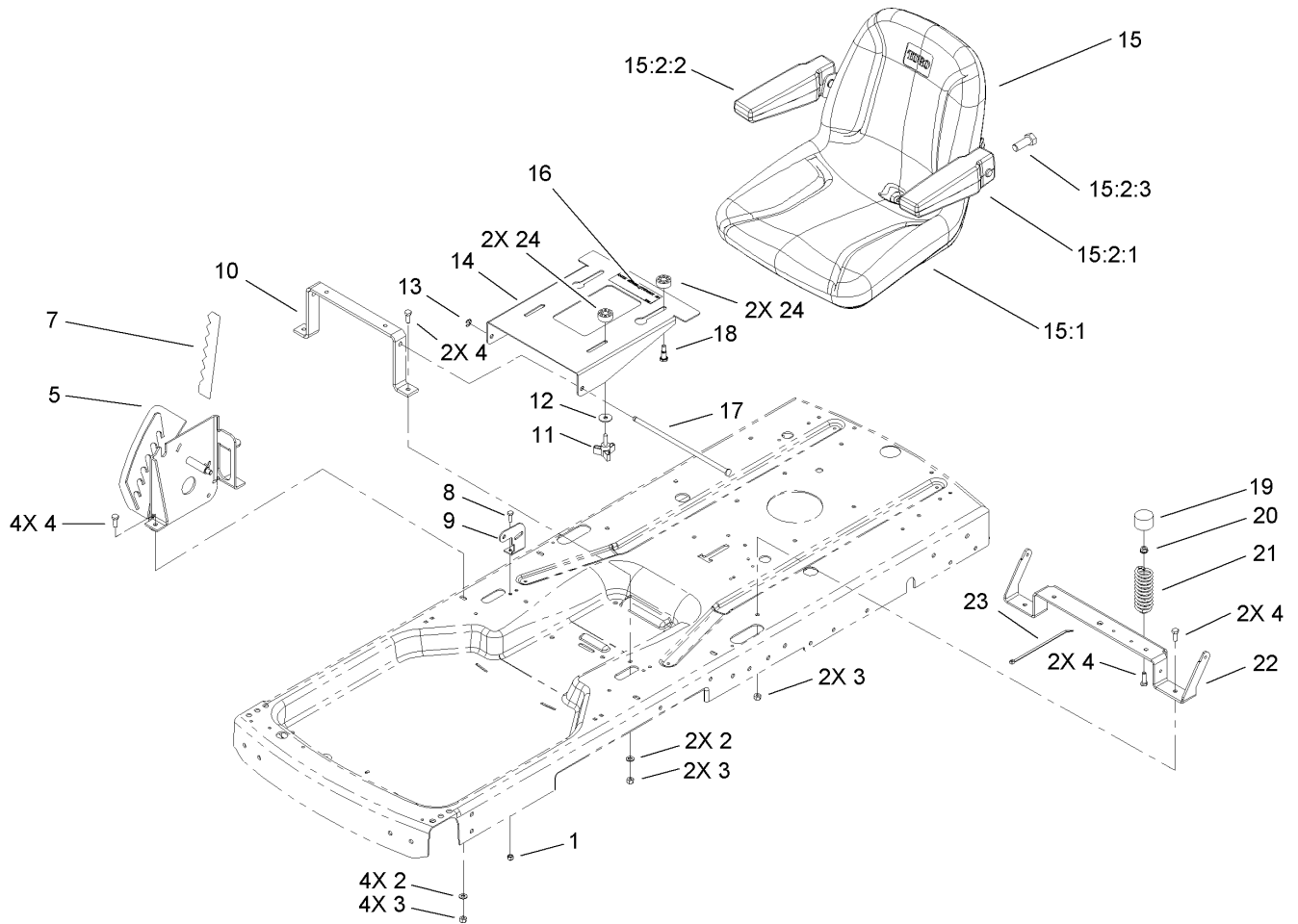
- ❶ Not illustrated
- ❷ Not serviced separately
- ❸ Obtain from your local Briggs & Stratton dealer



Frame Assembly

Ref	Part No.	Qty.	Description
1	108-2325-01	1	Frame
4	323-4	4	Screw-HH
5	3229-1	4	Screw-CARR
6	105-3439	2	Bracket-Lift
7	3296-42	4	Nut-Lock, NI
8	1-633102	2	Bearing-Flange, Side
9	3290-357	4	Nut-HHF, Whiz
10	105-3499-03	1	Lift Arm ASM
11	106-2222	1	Spacer
12	105-3460	1	Pad-Antiskid
13	105-3471	2	Front Wheel And Tire ASM
13:1	105-1943	1	Tire
13:2	302-5	1	Fitting-Grease
13:3	232-27	1	Stem-Valve
13:5	114-1640	2	Bushing-Flange
13:99	93-4244	1	Tube-Inner (W/Valve)
14	104-3667	2	Spanner-Wheel
15	325-22	2	Screw-HH
16	32128-23	2	Nut-HF
17	107-9119-01	2	Castor Fork ASM
18	3296-39	9	Nut-Lock, NI
19	3-6498	2	Washer-Thrust
20	105-6986-01	1	Caster-LH
21	105-6985-01	1	Castor-RH

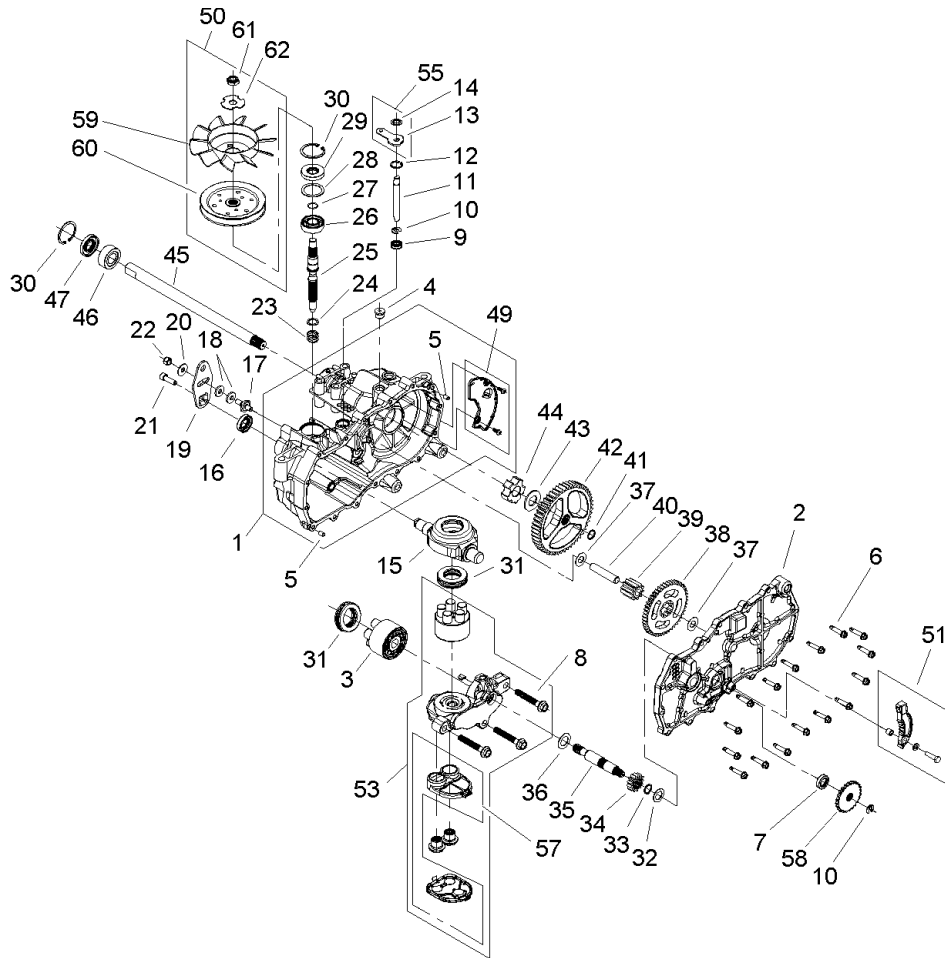
Ref	Part No.	Qty.	Description
22	302-5	2	Fitting-Grease
23	28-2480	2	Washer
24	32151-103	2	Ring-Snap
25	61-9780	2	Cap-Hub
26	323-18	10	Screw-HH
27	3256-24	8	Washer-Flat
28	105-3450	1	Grip-Lever, Lift
29	108-2317-03	1	Lever-Lift
30	106-8743	1	Decal
31	98-5975	2	Washer-Belleville
33	106-2211	1	Block-Lift
34	108-6109	1	Decal-Transport, Ce



Seat Assembly

Ref	Part No.	Qty.	Description
1	3296-42	4	Nut-Lock, NI
2	3256-23	6	Washer-Flat
3	3296-29	12	Nut-Lock, NI
4	322-4	14	Screw-HH
5	106-2158-03	1	RH Plate ASM
6	106-2159-03	1	LH Plate ASM
7	108-2392	1	Decal-HOC
8	321-4	4	Screw-HH
9	106-2180	2	Bracket-Bellcrank
10	105-6954-03	1	Brace-Seat, Front
11	106-2240	2	Knob
12	5-4460	2	Washer-Pivot
13	105-7004	1	E-Ring
14	105-6953-03	1	Bracket-Seat
15	106-6447	1	Seat (With Arm Rests)
15:1	108-2329	1	Seat
15:2	108-6163	1	Armrest Kit
15:2:1	110-6569	1	LH Armrest Kit
15:2:2	110-6570	1	RH Armrest Kit
15:2:3	108-6179	6	Screw-HSBH
16	106-8717	1	Decal-Service
17	105-6955	1	Pin-Pivot
18	613529	2	Screw Shoulder
19	701178	2	Cap-Protector

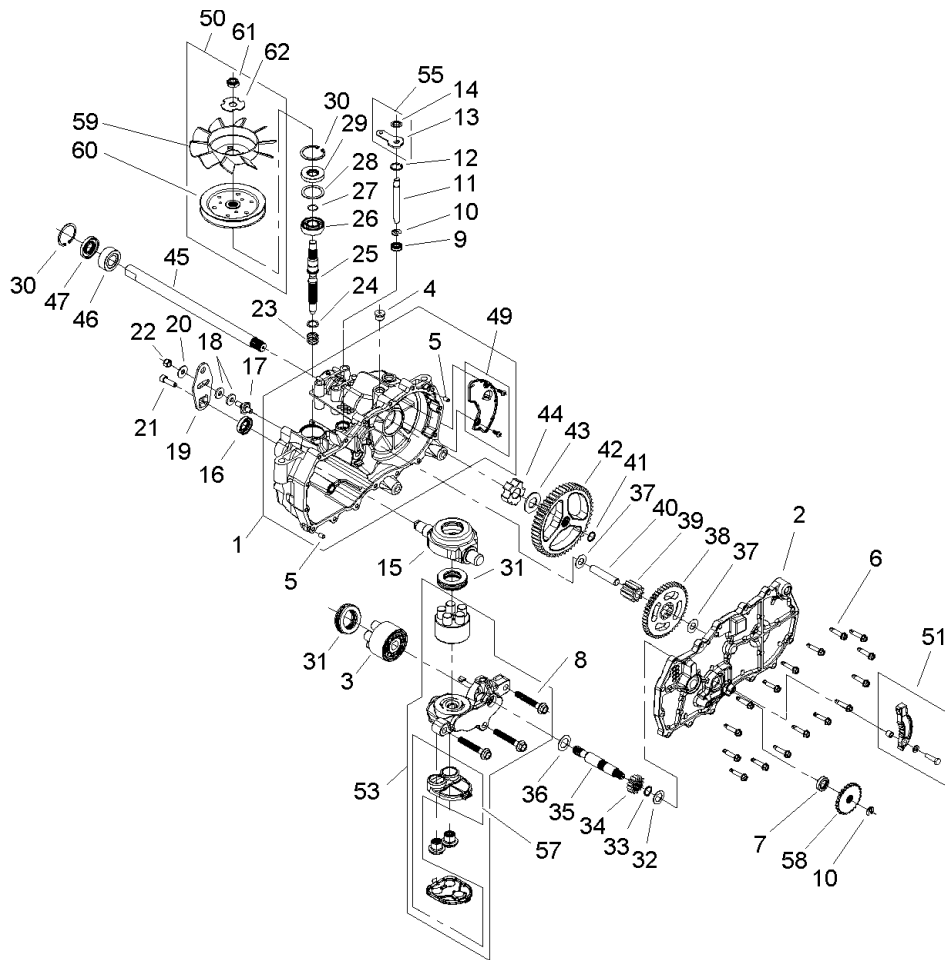
Ref	Part No.	Qty.	Description
20	32128-25	2	Nut-HF
21	92-7054	2	Spring-Compression
22	108-2358-03	1	Brace-Seat, Rear
23	614249	1	Strap-Tie
24	107-4902	4	Spacer-Nylon



LH Hydrostat Assembly Part No. 108-2394

Ref	Part No.	Qty.	Description
1	106-8695	1	RH Main Housing ASM
2	106-8696	1	RH Side ASM
3	104-2106	1	Cylinder Block ASM
4	104-2189	1	Plug-Thread, Straight
5	104-2170	2	Pin
6	104-5305	16	Screw-HHF
7	104-5347	1	Seal-Oil
8	94-6926	3	Bolt
9	106-8676	1	Seal-Lip
10	106-8677	2	Ring-Retaining, EXT
11	106-8678	1	Rod-Bypass
12	106-8679	1	Ring-Retaining, Int
13	107-2490	1	Arm-Bypass
14	106-8681	1	Ring-Retaining, EXT
15	104-5304	1	Swashplate-Trunnion
16	104-5313	1	Seal-Lip
17	104-2116	1	Stud
18	105-1873	2	Puck-Friction
19	106-8747	1	Arm-Control
20	5-4460	1	Washer-Pivot
21	107-2488	1	Screw
22	105-1872	1	Nut
23	94-1936	1	Spring-Block
24	94-1937	1	Washer-Block, Thrust

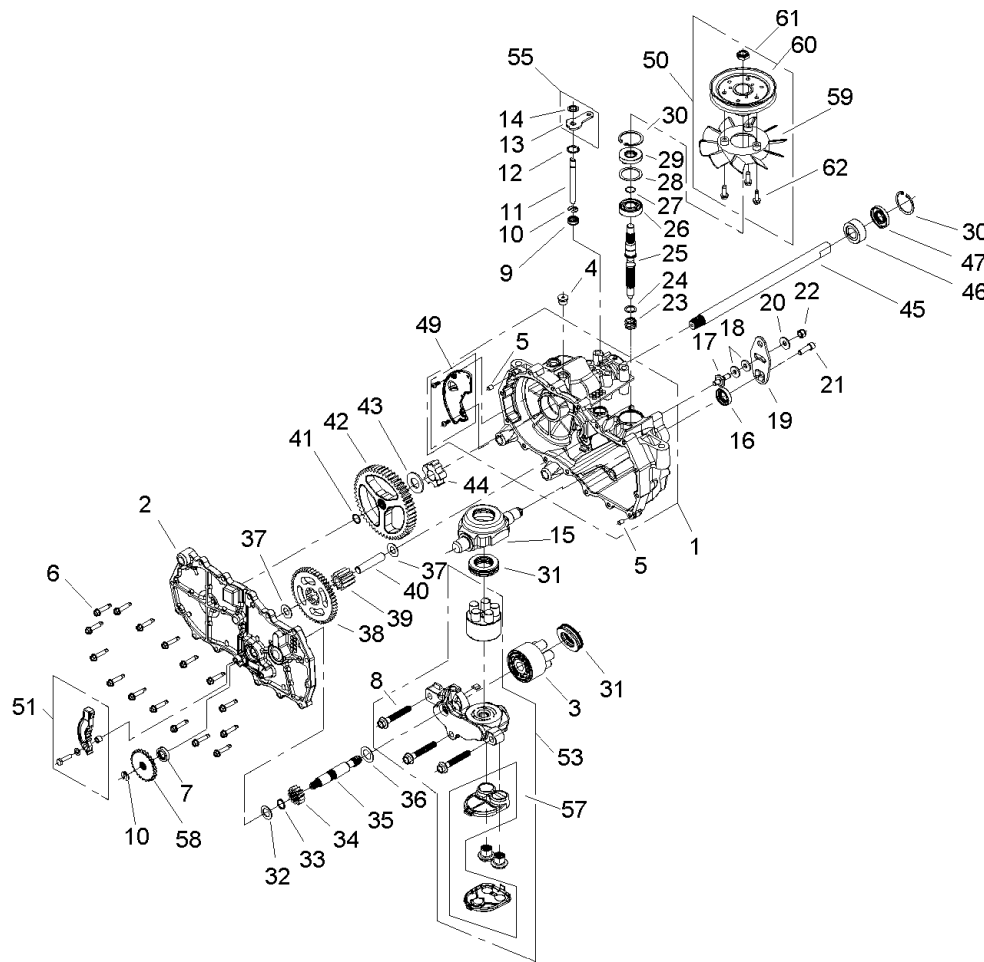
Ref	Part No.	Qty.	Description
25	104-5306	1	Shaft-Input
26	104-5311	1	Bearing-Ball
27	104-5307	1	Ring-Retaining
28	104-5308	1	Spacer
29	104-5310	1	Seal-Lip
30	104-5309	2	Ring-Retaining
31	94-6922	2	Bearing-Thrust
32	104-5339	1	Washer-Flat
33	104-5340	1	Ring-Retaining
34	104-5316	1	Gear-Pinnion, 13T
35	106-8683	1	Shaft-Motor
36	104-5360	1	Washer-Shaft, Motor
37	94-1933	2	Washer
38	104-5317	1	Gear
39	104-5318	1	Gear-Jackshaft, 10T
40	104-5329	1	Pin-Jackshaft
41	104-5328	1	Ring-Retaining, Spiral
42	106-8684	1	Gear-Bull, 52T
43	94-1943	1	Washer
44	104-5320	1	Bearing-Sleeve
45	106-8685	1	Axle
46	104-5321	1	Bearing-Sleeve, Outboard
47	104-5322	1	Seal-Lip
48	106-8686	1	Seal Kit



LH Hydrostat Assembly Part No. 108-2394 (continued)

Ref	Part No.	Qty.	Description
49	106-8697	1	RH Expansion Plate Kit
50	106-8698	1	Fan Pulley Kit
51	106-8688	1	Brake Arm Kit
53	108-6190	1	RH 7-Piston Center Section Kit
54	104-2147	1	Sealant
55	107-2489	1	Bypass Arm Kit
57	106-8693	1	Filter Kit
58	106-8694	1	Disc-Brake, Cog
59	110-8566	1	Fan-6 Inch, 10 Blade
60	104-1754	1	Pulley
61	105-1875	1	Nut-Lock
62	107-9122	3	Washer-Slotted

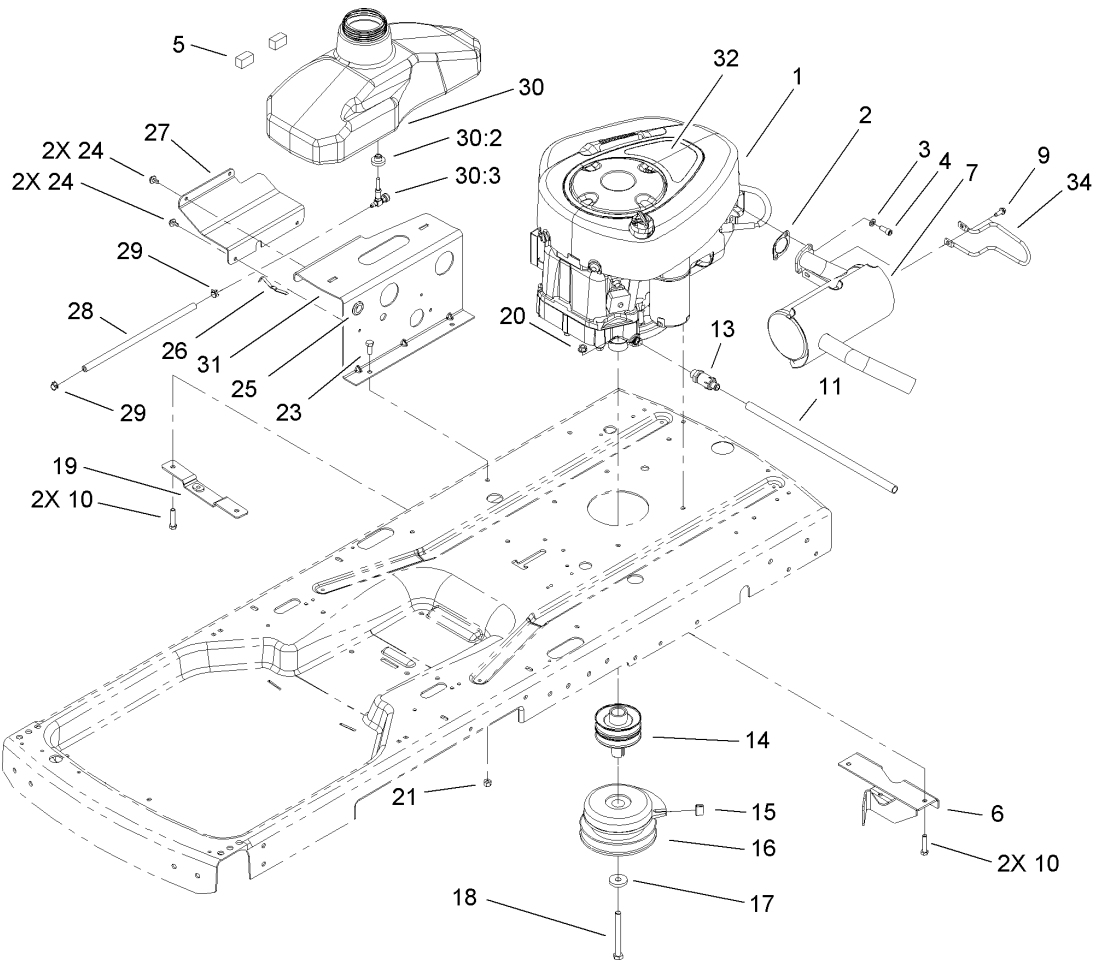
--	--	--	--



RH Hydrostat Assembly Part No. 108-2393

Ref	Part No.	Qty.	Description
1	106-8674	1	LH Main Housing ASM
2	106-8675	1	LH Side ASM
3	104-2106	1	Cylinder Block ASM
4	104-2189	1	Plug-Thread, Straight
5	104-2170	2	Pin
6	104-5305	16	Screw-HHF
7	104-5347	1	Seal-Oil
8	94-6926	3	Bolt
9	106-8676	1	Seal-Lip
10	106-8677	2	Ring-Retaining, EXT
11	106-8678	1	Rod-Bypass
12	106-8679	1	Ring-Retaining, Int
13	107-2490	1	Arm-Bypass
14	106-8681	1	Ring-Retaining, EXT
15	104-5304	1	Swashplate-Trunnion
16	104-5313	1	Seal-Lip
17	104-2116	1	Stud
18	105-1873	2	Puck-Friction
19	106-8747	1	Arm-Control
20	5-4460	1	Washer-Pivot
21	107-2488	1	Screw
22	105-1872	1	Nut
23	94-1936	1	Spring-Block
24	94-1937	1	Washer-Block, Thrust

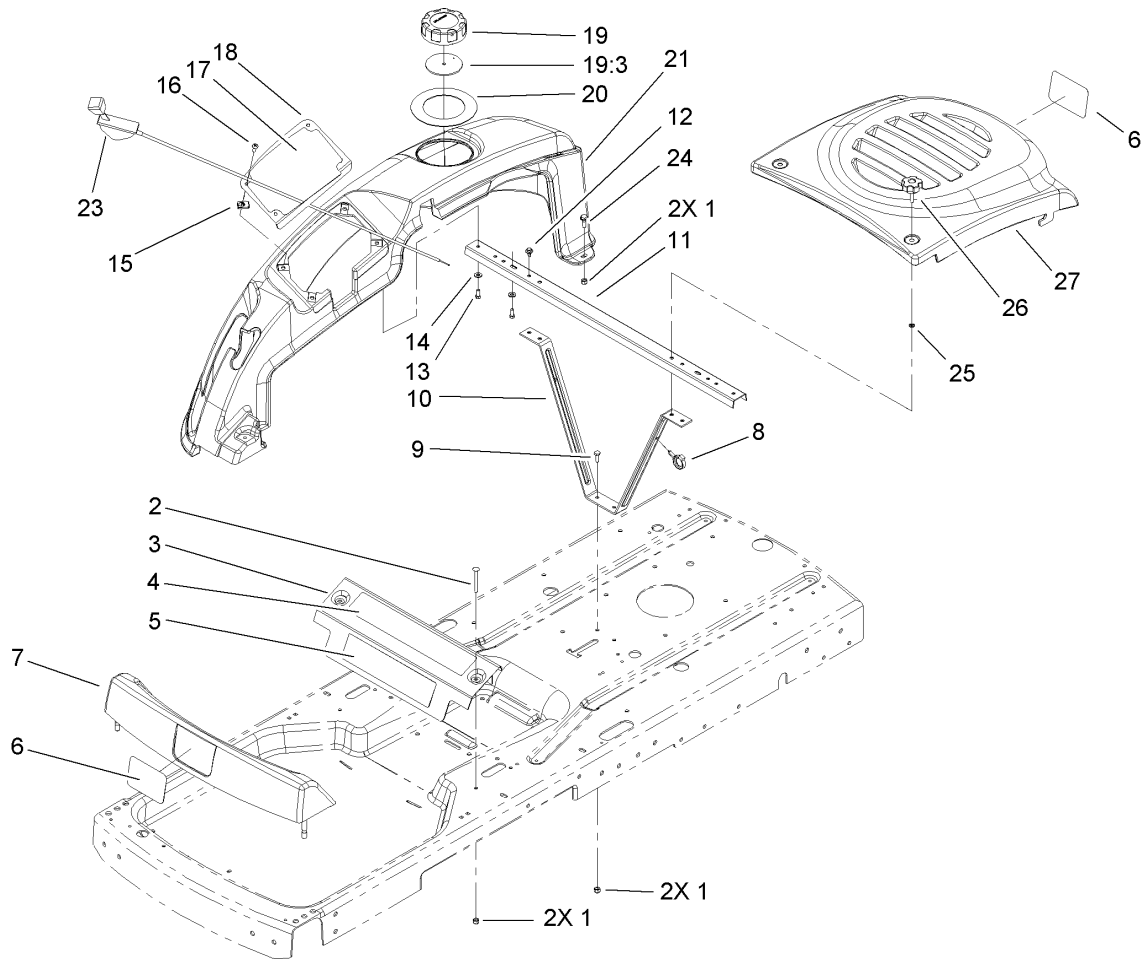
Ref	Part No.	Qty.	Description
25	104-5306	1	Shaft-Input
26	104-5311	1	Bearing-Ball
27	104-5307	1	Ring-Retaining
28	104-5308	1	Spacer
29	104-5310	1	Seal-Lip
30	104-5309	2	Ring-Retaining
31	94-6922	2	Bearing-Thrust
32	104-5339	1	Washer-Flat
33	104-5340	1	Ring-Retaining
34	104-5316	1	Gear-Pinion, 13T
35	106-8683	1	Shaft-Motor
36	104-5360	1	Washer-Shaft, Motor
37	94-1933	2	Washer
38	104-5317	1	Gear
39	104-5318	1	Gear-Jackshaft, 10T
40	104-5329	1	Pin-Jackshaft
41	104-5328	1	Ring-Retaining, Spiral
42	106-8684	1	Gear-Bull, 52T
43	94-1943	1	Washer
44	104-5320	1	Bearing-Sleeve
45	106-8685	1	Axle
46	104-5321	1	Bearing-Sleeve, Outboard
47	104-5322	1	Seal-Lip
48	106-8686	1	Seal Kit



Engine Assembly

Ref	Part No.	Qty.	Description
1		1	Engine-Briggs And Stratton, 286H77-0165-E1
2	88-4410	1	Gasket-Muffler
3	3253-4	2	Washer-Lock
4	3274-10	2	Screw-HSH
5	104-2488	2	Foam-Switch, Seat
6	107-4873	1	Bracket-Pivot
7	106-7007	1	Muffler
9	32144-44	2	Screw-HWH
10	322-7	4	Screw-HH
11	106-7022	1	Tube-Drain, Oil
13	92-6877	1	Valve-Drain, Oil
14	105-3472	1	Pulley-Engine
15	98-5023	1	Bumper
16	104-3334	1	Clutch-Electric
17	112843	1	Washer
18	3212-16	1	Screw-HH
19	106-2156	1	Plate-Mount, Idler
20	32128-25	4	Nut-HF
21	3296-29	2	Nut-Lock, NI
23	322-4	2	Screw-HH
24	46-8560	4	Screw-HHF
25	237-124	1	Grommet
26	609830	2	Spring

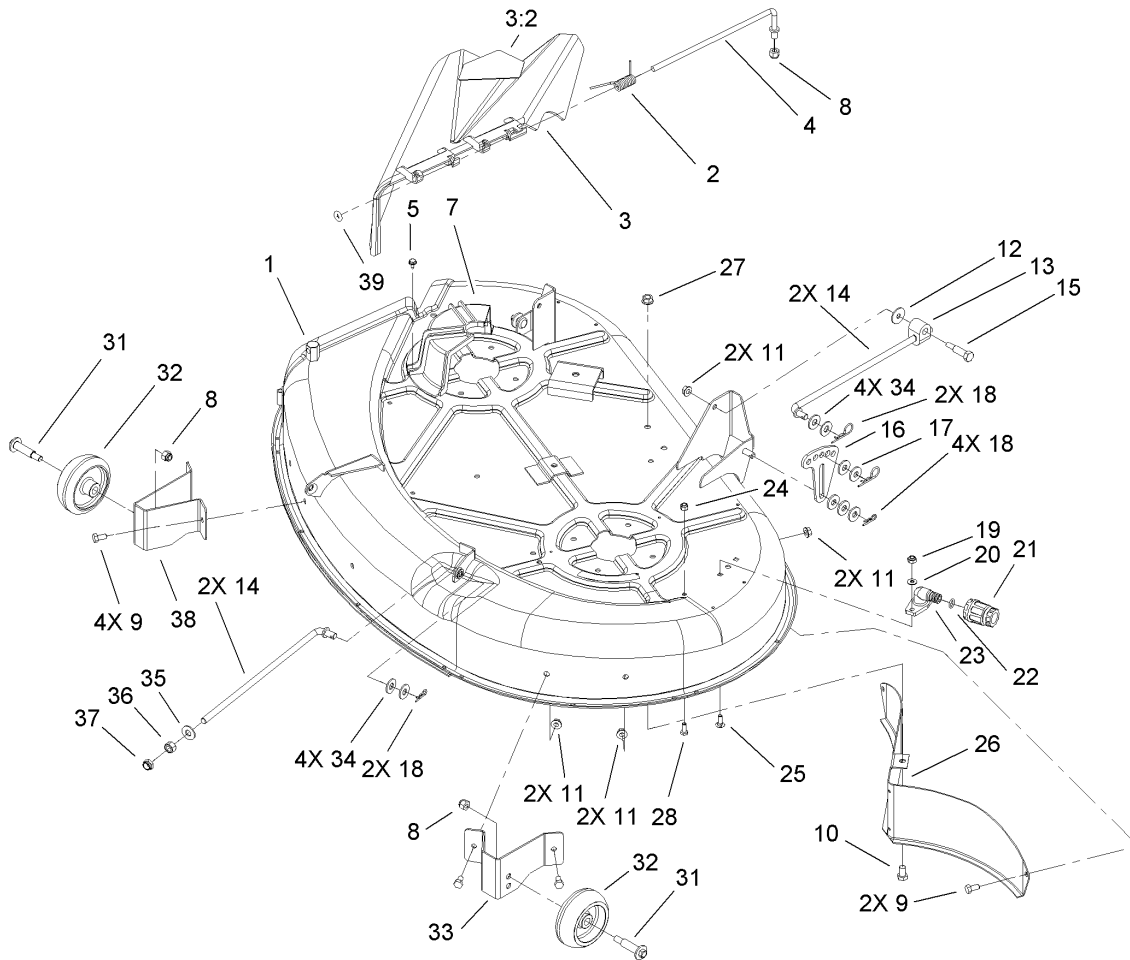
Ref	Part No.	Qty.	Description
27	108-2315-03	1	Plate-Support
28	109-0297	1	Hose-Fuel
29	2412-98	2	Clamp
30	105-3464	1	Gas Tank ASM
30:2	46-6560	1	Bushing
30:3	110-6565	1	Valve-Fuel
31	108-2314-03	1	Plate-Tank
32	107-4905	1	Decal
34	108-8510	1	Guard-Muffler



Styling Assembly

Ref	Part No.	Qty.	Description
1	3296-42	6	Nut-Lock, NI
2	3229-7	2	Screw-CARR
3	106-2164-03	1	Bracket-Support, Front
4	110-6567	1	Decal-Danger
5	108-7128	1	Decal
6	105-6971	2	Decal
7	105-6965	1	Footrest ASM
8	105-1853	2	Clamp-Hose
9	321-4	2	Screw-HH
10	106-6994-03	1	Brace ASM
11	108-2313-03	1	Channel-Cross
12	46-8560	2	Screw-HHF
13	46-8090	4	Screw-Plastite
14	3256-22	4	Washer-Flat
15	107069	4	Clip
16	3258-166	4	Screw-PRH
17	106-2224	1	Decal-Control
18	106-2167-03	1	Panel-Control
19	88-3980	1	Gas Cap ASM
19:3	88-4010	1	Gasket-Cap, Gas
20	106-7042	1	Seal-Rubber
21	106-2161	1	Cover-Side, RH
22	106-2162	1	Cover-Side, LH
23	104-3626	1	Cable-Throttle

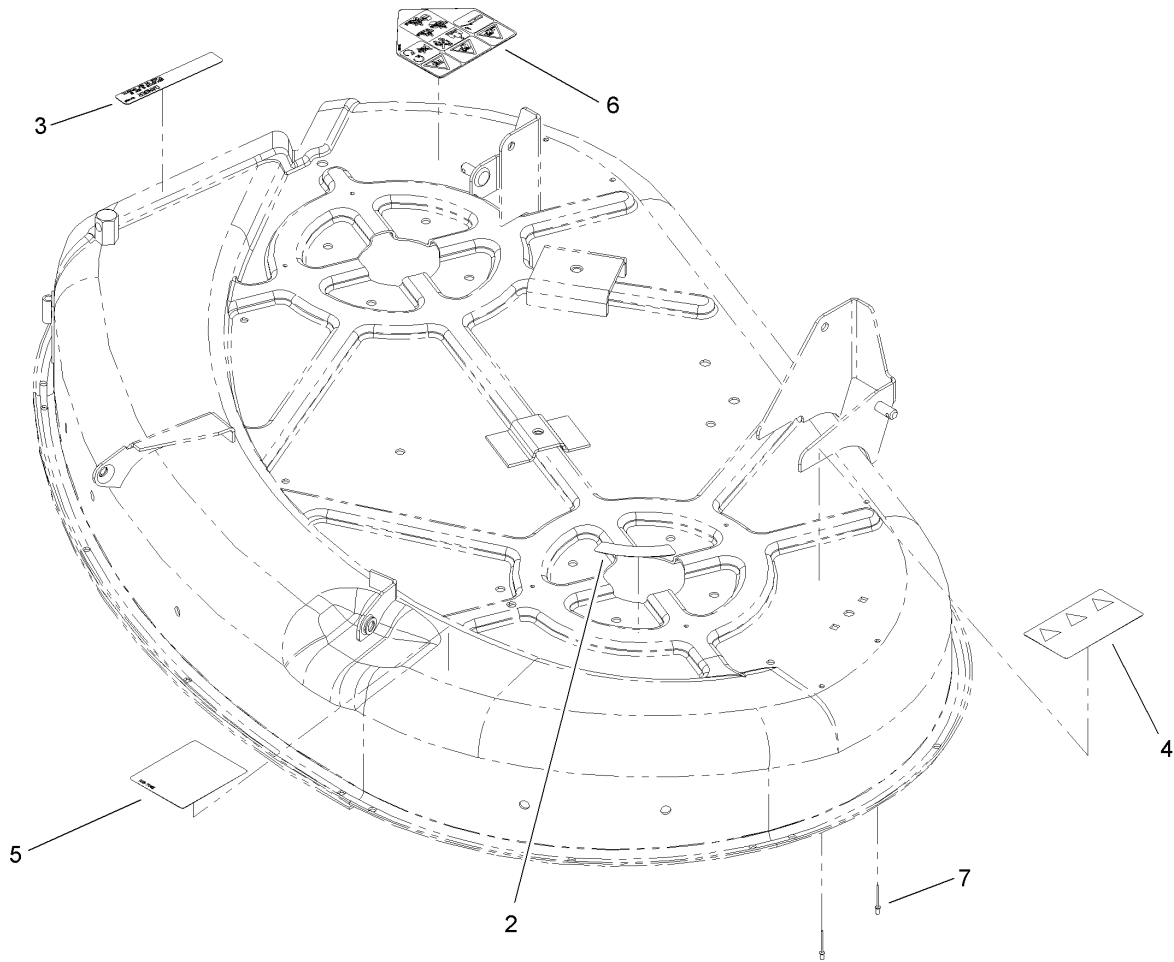
Ref	Part No.	Qty.	Description
24	11-9030	2	Screw-Shoulder
25	106-8737	2	Nut-Retainer
26	106-7017	2	Knob
27	106-2163	1	Cover-Hood



42in Deck Assembly

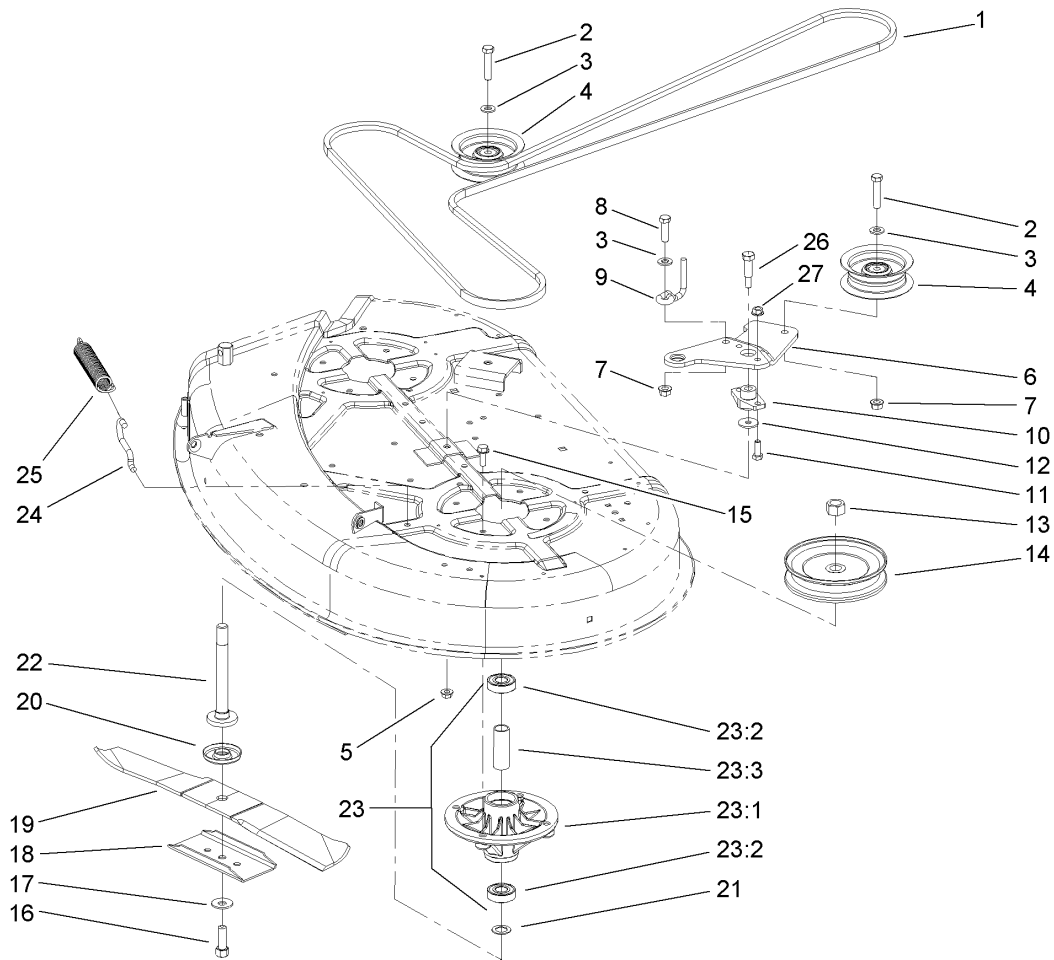
Ref	Part No.	Qty.	Description
1	110-1895	1	42 Inch Deck ASM
2	57-6950	1	Spring
3	110-6562	1	42 Inch Deflector ASM
3:2	110-1868	1	Decal-Danger, Shield
4	95-1661	1	Rod-Pivot
5	32104-76	5	Screw
6	88-4030	1	Guide-Belt, Deck (LH)
7	88-4020	1	Guide-Belt, Deck (RH)
8	3296-39	3	Nut-Lock, NI
9	322-2	6	Screw-HH
10	323-34	1	Screw-HH
11	32128-25	8	Nut-HF
12	5-4460	2	Washer-Pivot
13	88-4230	2	Trunnion-HOC
14	105-3437	4	Rod-Hanger
15	7-0030	2	Bolt-Shoulder
16	88-5570-03	2	Link-Adjusting, HOC
17	80-6990	10	Washer-Hardened
18	9335054	8	Pin-Hair
19	3296-16	2	Nut-Lock, NI
20	3256-1	2	Washer-Flat
21	95-3270	1	Connector-Hose
22	46-6290	1	O-Ring
23	95-2747	1	Fitting-Washout

Ref	Part No.	Qty.	Description
24	3296-42	1	Nut-Lock, NI
25	3229-1	2	Screw-CARR
26	108-8513-03	1	Baffle-Rear
27	32128-21	1	Nut-HF
28	321-3	1	Screw-HH
31	56-6591	2	Bolt-Wheel
32	701756	2	Wheel-Gage
33	106-8702-03	1	Bracket-Gage Wheel, Front (LH)
34	3256-4	8	Washer-Flat
35	3256-25	2	Washer-Flat
36	3219-4	2	Nut-Hex
37	3296-38	2	Nut-Lock, NI
38	106-8701-03	1	Bracket-Gage Wheel, Front (RH)
39	106-8745	1	O-Ring



42in Deck Assembly No. 110-1895

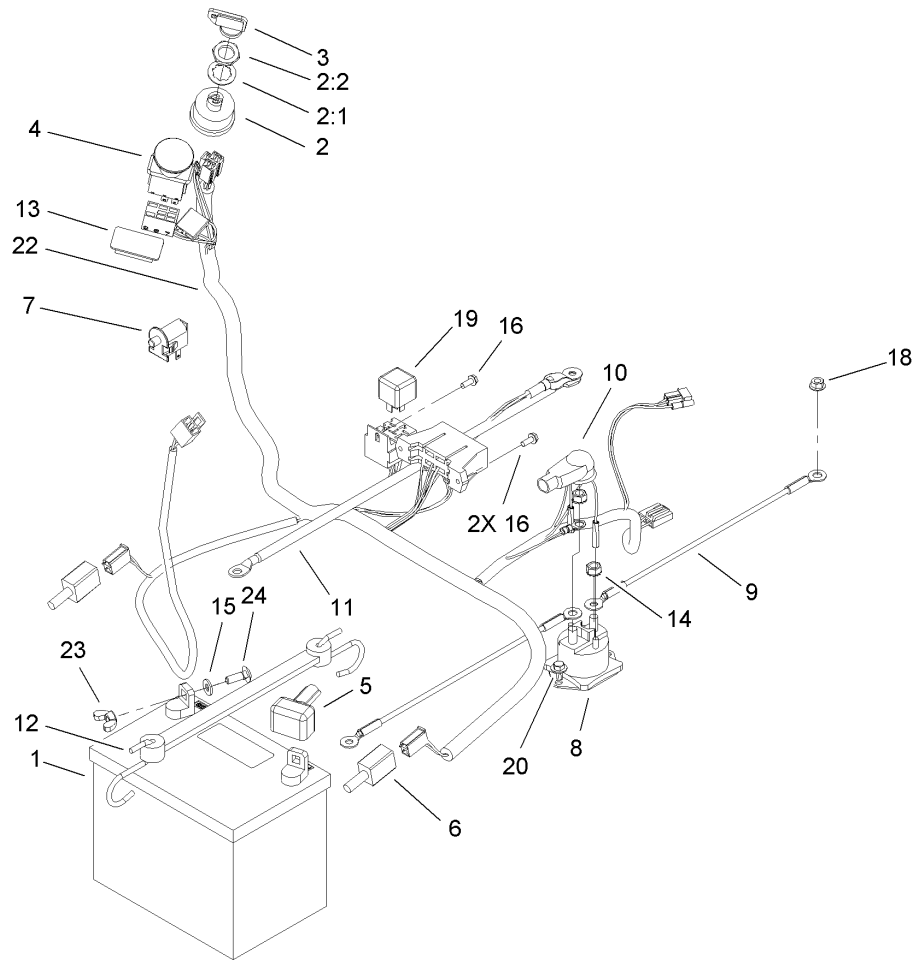
Ref	Part No.	Qty.	Description				
2	93-6677	1	Decal-Shield, Danger				
3	93-7009	1	Decal-Danger				
4	93-7010	1	Decal-Danger				
5	105-7015	1	Decal-Routing, Belt				
6	110-1868	1	Decal-Danger, Shield				
7	3290-282	2	Rivet-Pop				



Spindle and Belt Drive Assembly

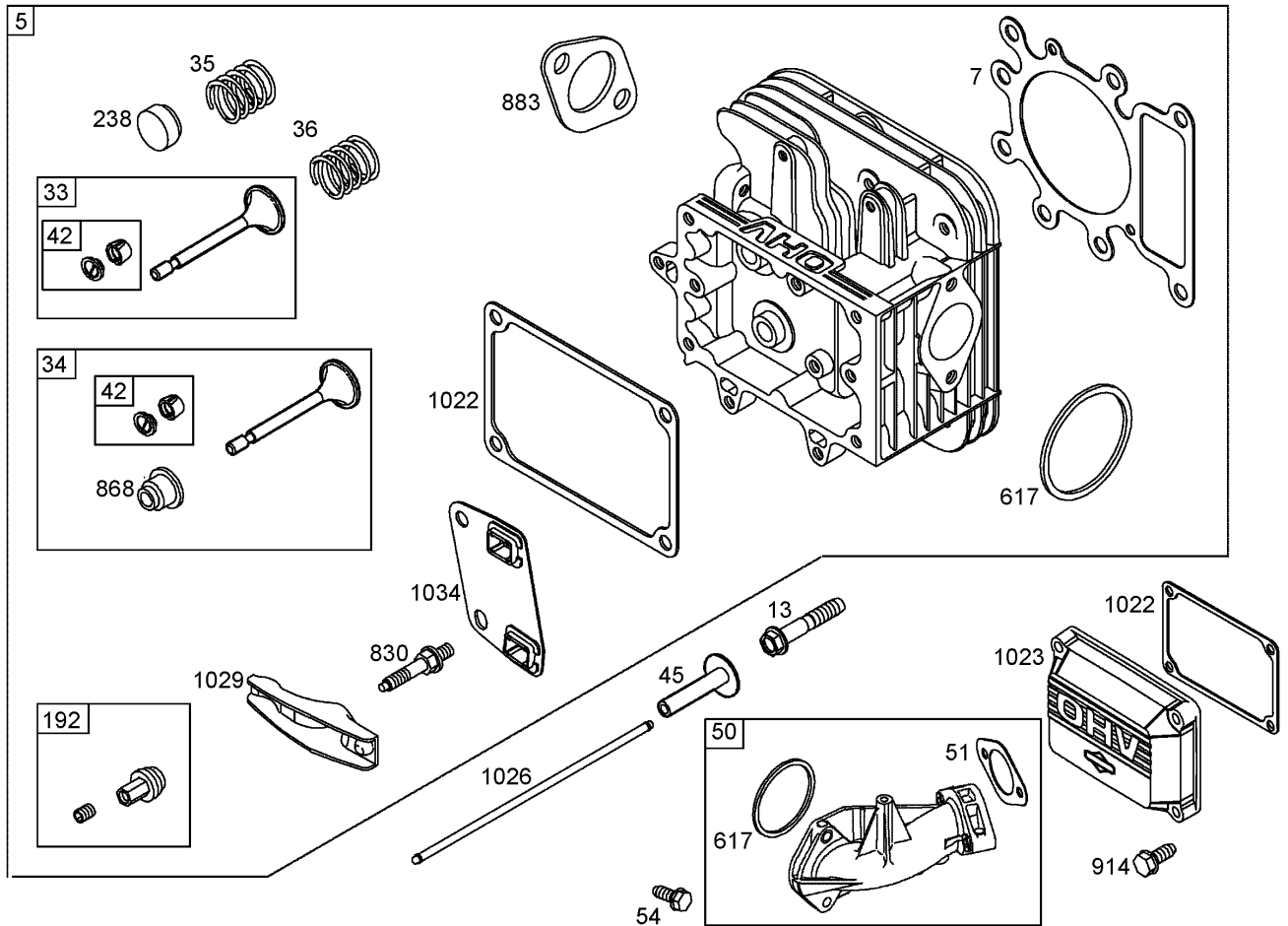
Ref	Part No.	Qty.	Description
1	106-2173	1	Belt-V
2	323-9	2	Screw-HH
3	3256-24	3	Washer-Flat
4	106-2175	2	Pulley-Idler, Flat
5	32128-25	1	Nut-HF
6	107-2467-03	1	Arm-Idler
7	32128-21	2	Nut-HF
8	323-7	1	Screw-HH
9	107-7307	1	Guide-Idler, Belt
10	88-4980	1	Bushing-Arm, Idler
11	322-4	2	Screw-HH
12	5-4460	1	Washer-Pivot
13	3219-6	2	Nut-Hex
14	88-5330	2	Pully-Deck
15	32144-41	8	Screw-Taptite
16	26-0671	2	Screw-Blade
17	3290-465	2	Washer-Belleville
18	106-2248-03	2	Stiffener-Blade
19	106-2247-03	2	Blade
20	80-4360	2	Shield-Bearing
21	80-4380	2	Spacer
22	80-4341	2	Shaft
23		2	Spindle ASM
23:1	88-4510	1	Housing-Spindle

Ref	Part No.	Qty.	Description
23:2	100-1048	2	Bearing-Ball
23:3	62-3661	1	Spacer-Bearing
24	88-5970	1	Hook-Return, Spring
25	106-2177	1	Spring-Extension
26	7-0030	1	Bolt-Shoulder
27	3296-29	2	Nut-Lock, NI



Electrical Assembly

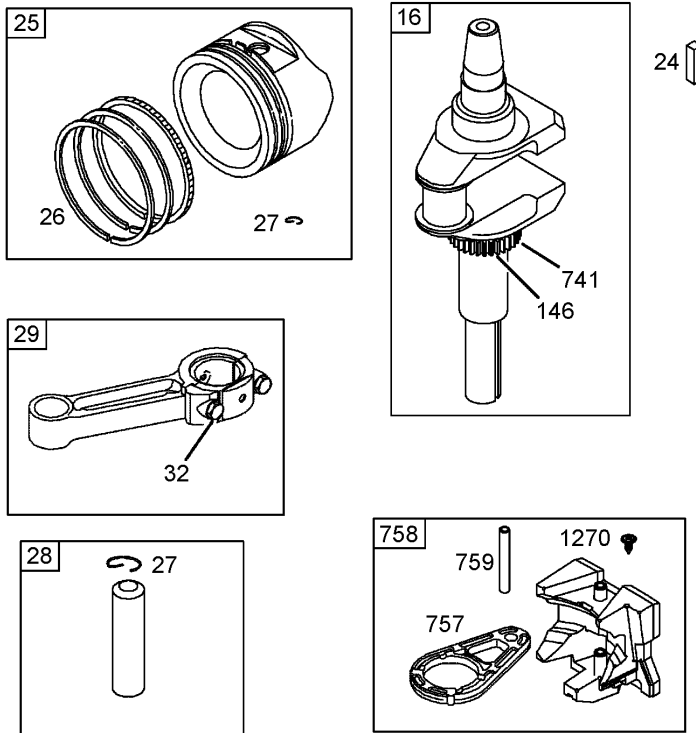
Ref	Part No.	Qty.	Description
1	104-2491	1	Battery-Dry
2	88-9830	1	Key Switch ASM
2:1	3254-5	1	Washer-Tooth
2:2	218-461	1	Nut-HH
3	63-8360	1	Key-Ignition
4	95-7489	1	Switch-PTO
5	28-8080	1	Boot-Terminal
6	106-2216	2	Switch
7	82-2190	1	Switch-Bail
8	106-8245	1	Solenoid
9	56-7670	2	Wire ASM
10	93-3190	1	Boot-Insulator, Terminal
11	95-7654	1	Cable
12	104-2466	1	Holddown-Battery
13	99-7420	1	Plug-Hole
14	32149-2	2	Nut-Keps
15	3256-22	2	Washer-Flat
16	32144-1	3	Screw-Taptite
18	32128-33	1	Nut-HF
19	98-7249	1	Relay
20	46-8560	2	Screw-HHF
22	108-8586	1	Harness-Wiring
23	32103-22	2	Nut-Wing
24	3229-1	2	Screw-CARR



Cylinder Head Assembly Briggs and Stratton 286H77-0165-E1

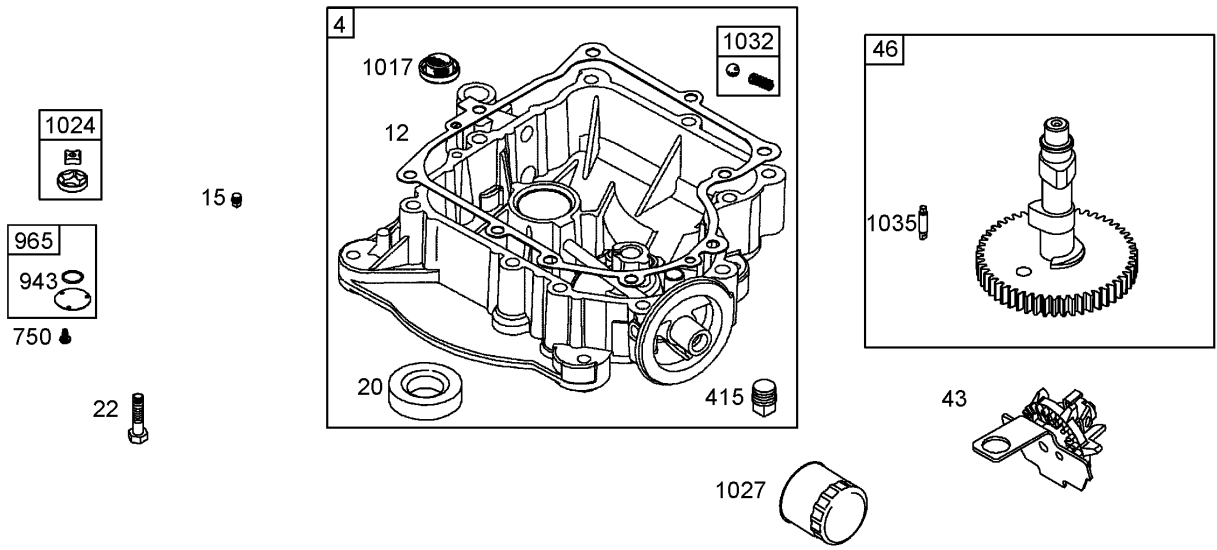
Ref	Part No.	Qty.	Description
5	698148	1	Head-Cylinder
7	273280	1	Gasket-Head, Cylinder
13	690360	1	Screw (Cylinder Head Gasket)
33	695760	1	Valve-Exhaust
34	695761	1	Valve-Intake
35	691279	1	Spring-Valve (Intake)
36	691279	1	Spring-Valve (Exhaust)
42	499586	1	Keeper-Valve
45	690564	1	Tappet-Valve
50	690193	1	Manifold-Intake
51	692137	1	Gasket-Intake
54	691148	1	Screw (Intake Manifold)
192	691986	1	Adjustor-Arm, Rocker
238	691843	1	Cap-Valve
617	692138	1	Seal-O Ring (Intake Manifold)
830	691095	1	Stud-Arm, Rocker
868	690968	1	Seal-Valve
883	692236	1	Gasket-Exhaust
914	691108	1	Screw (Rocker Cover)
1022	272475	1	Gasket-Cover, Rocker
1023	692492	1	Cover-Rocker
1026	692003	1	Rod-Push
5	692011	1	Rod-Push
1029	691751	1	Arm-Rocker

Ref	Part No.	Qty.	Description
1034	690822	1	Guide-Rod, Push



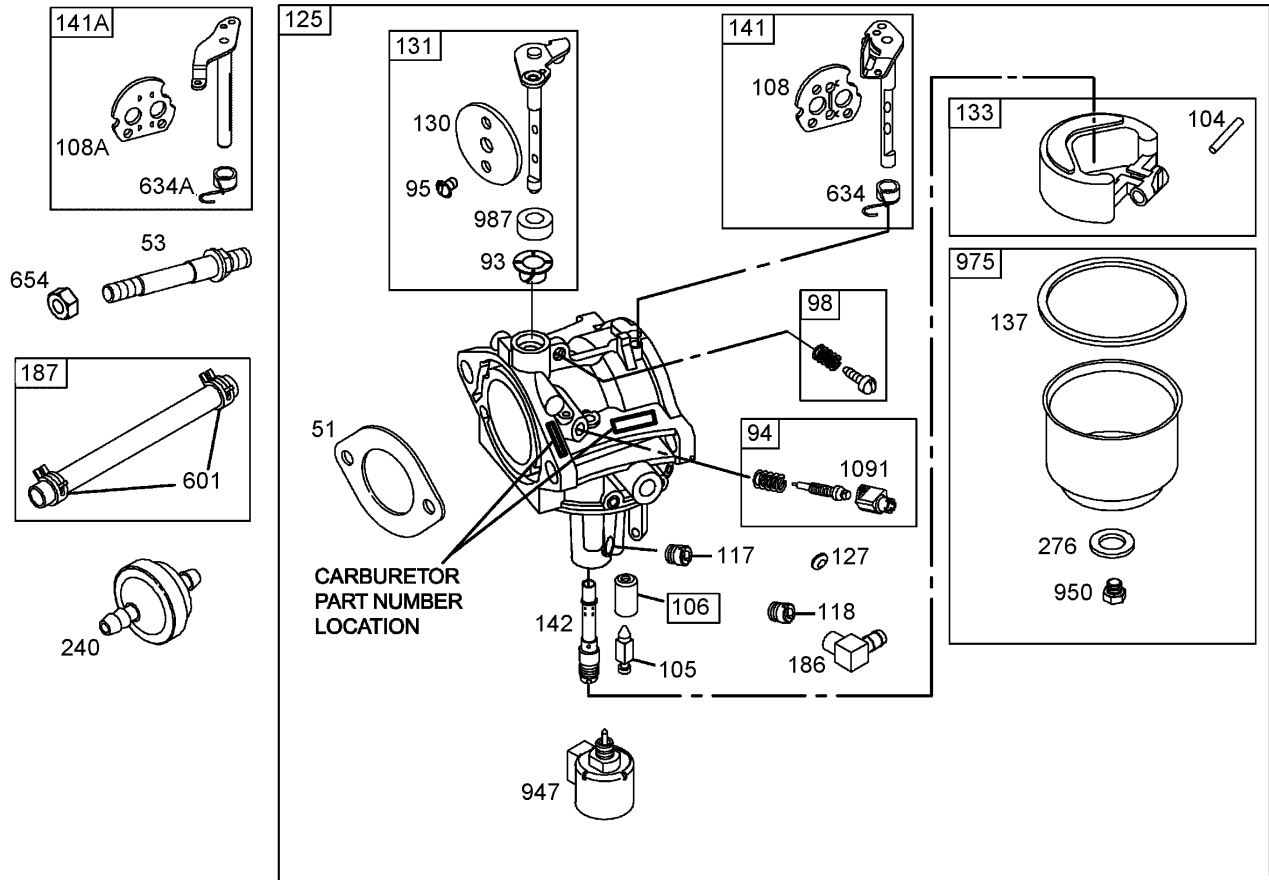
Crankshaft Assembly Briggs and Stratton 286H77-0165-E1

Ref	Part No.	Qty.	Description
❶16	697127	1	Crankshaft
❶24	222698	1	Key
❶25	698371	1	Piston ASM (Standard) (After Code Date 03092800)
❶	697114	1	Piston ASM (Standard) (Before Code Date 03092900)
❶	698375	1	Piston ASM (.020In Oversize) (After Code Date 03092800)
❶	697117	1	Piston ASM (.020In Oversize) (Before Code Date 03092900)
❶26	697115	1	Ring Set (Standard)
❶	697120	1	Ring Set (.020In Oversize)
❶27	698469	1	Lock-Pin, Piston
❶28	697099	1	Pin-Piston (STD)
❶29	697126	1	Rod-Connecting (Standard)
❶	697263	1	Rod-Connecting (.020In Undersize)
❶32	692852	1	Screw (Connecting Rod)
❶146	691639	1	Key-Timing
❶741	697128	1	Gear-Timing
❶757	697607	1	Link-Counterweight
❶758	697134	1	Counterweight
❶759	697392	1	Pin-Counterweight
❶1270	697156	1	Plug-Counterweight, Avs



Crankcase Assembly Briggs and Stratton 286H77-0165-E1

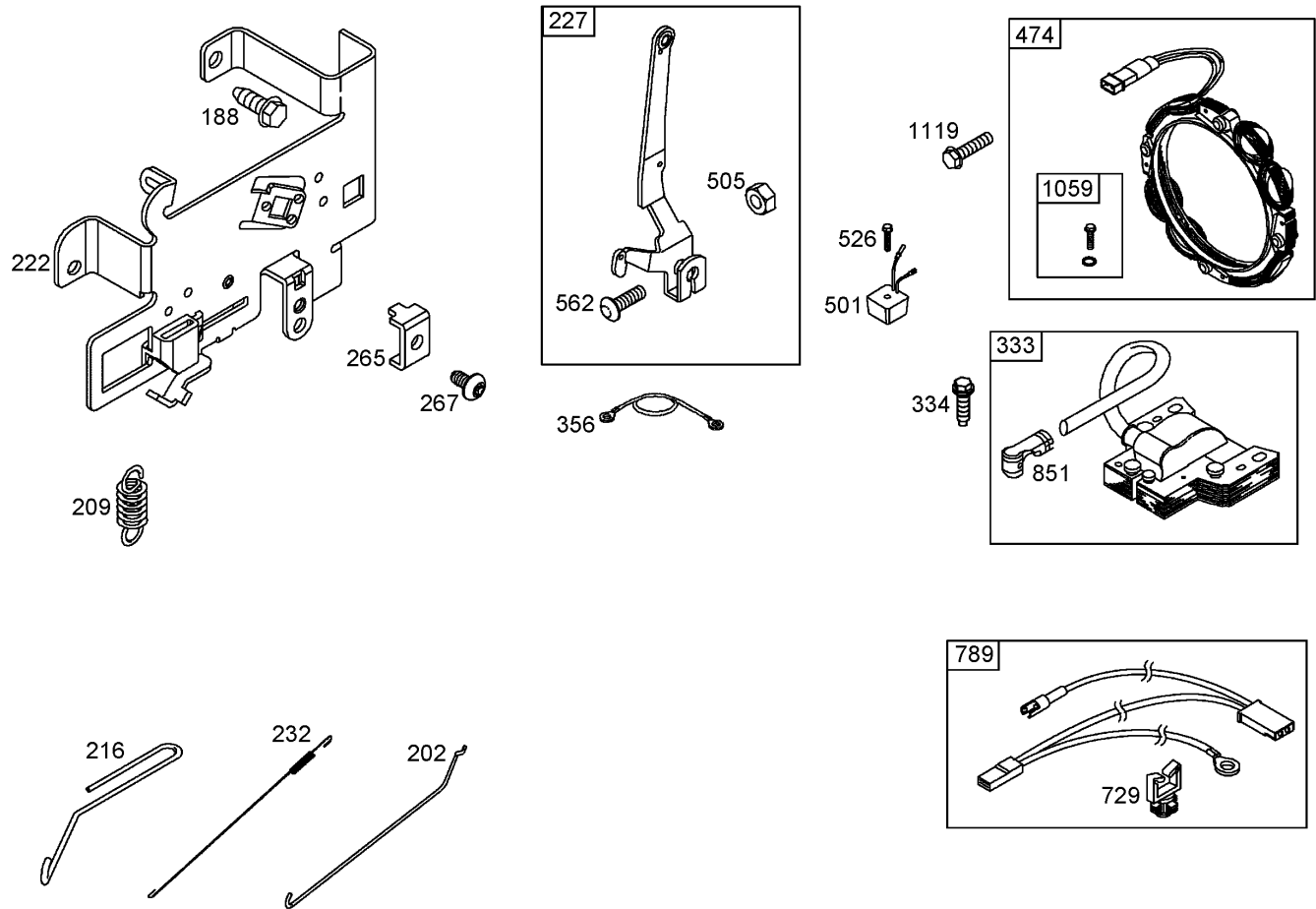
Ref	Part No.	Qty.	Description
4	697188	1	Sump-Engine
12	697110	1	Gasket-Crankcase
15	691680	1	Plug-Drain, Oil
20	690947	1	Seal-Oil
22	692125	1	Screw (Engine Sump)
415	690283	1	Plug-Oil
43	691968	1	Slinger-Governor, Oil
46	790400	1	Camshaft
750	691033	1	Screw (Oil Pump Cover)
943	690589	1	Seal, O-Ring
965	499613	1	Cover-Pump, Oil
1017	690770	1	Screen-Pump, Oil
1024	499054	1	Pump-Oil
1027	492932	1	Filter-Oil
1032	491710	1	Ball-Pump, Oil
1035	693784	1	Shaft-Pump, Oil



Carburetor Assembly Briggs and Stratton 286H77-0165-E1

Ref	Part No.	Qty.	Description
●51	692137	1	Gasket-Intake
●53	690227	1	Stud (Carburetor)
●93	690602	1	Bushing-Shaft, Throttle
●94	498030	1	Idle Mixture Kit
●95	691636	1	Screw (Throttle Valve)
●98	495800	1	Idle Speed Kit
●104	690525	1	Pin-Hinge, Carburetor Float
●105	231855	1	Valve-Needle, Float
●106	690577	1	Seat-Inlet
●108	690464	1	Valve-Choke
●108A	692344	1	Valve-Choke (Choke A Matic)
●117	694352	1	Jet-Main (STD)
●118	697228	1	Jet-Main (High Altitude)
●125	698445	1	Carburetor
●127	695005	1	Plug-Welch
●130	691750	1	Valve-Throttle
●131	494379	1	Throttle Shaft Kit
●133	494381	1	Float-Carburetor
●137	281165	1	Gasket-Bowl, Float
●141	495097	1	Choke Shaft Kit (Manual Choke)
●141A	495931	1	Choke Shaft Kit (Choke A Matic)
●142	697140	1	Nozzle-Carburetor
●186	698174	1	Connector-Hose

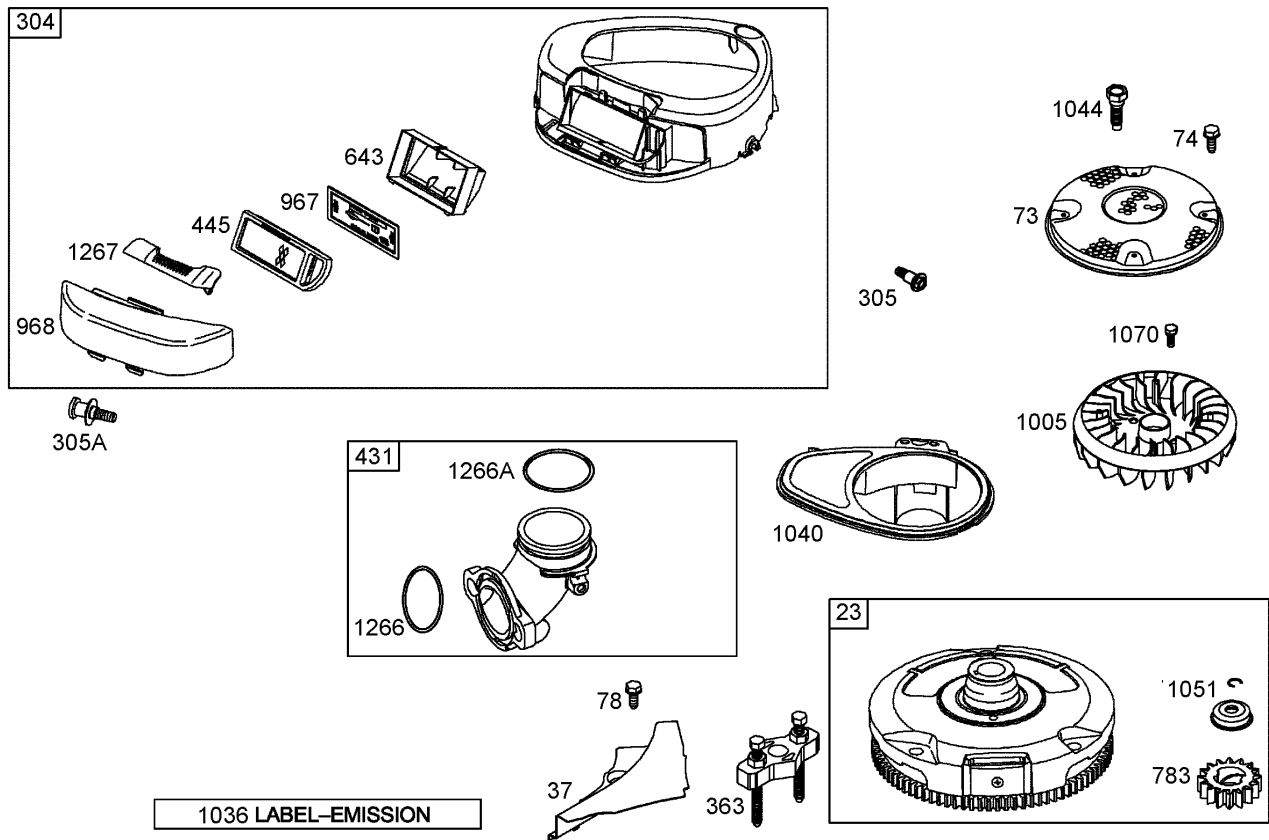
Ref	Part No.	Qty.	Description
●187	699931	1	Line-Fuel (Cut To Required Length)
●240	394358	1	Filter-Fuel
●276	692255	1	Washer-Sealing
●601	95162	1	Clamp-Hose
●634	690801	1	Spring / Seal ASM
●634A	690802	1	Spring And Seal ASM
●654	690958	1	Nut (Carburetor)
●947	694393	1	Solenoid-Fuel
●950	691657	1	Screw (Float Bowl)
●975	495933	1	Bowl-Float
●987	691326	1	Seal-Shaft, Throttle
●1091	691333	1	Cap-Limiter



Governor Assembly Briggs and Stratton 286H77-0165-E1

Ref	Part No.	Qty.	Description
●188	691693	1	Screw (Control Bracket)
●202	691841	1	Link-Governor, Mechanical
●209	692208	1	Spring-Governor
●216	691840	1	Link-Choke
●222	694042	1	Bracket-Control
●227	691374	1	Lever-Control, Governor
●232	691842	1	Spring-Link, Governor
●265	691024	1	Clamp-Casing
●267	695134	1	Screw (Casing Clamp)
●333	492341	1	Armature-Magneto
●334	691061	1	Screw (Magneto Armature)
●356	697089	1	Stop-Wire
●474	696457	1	Alternator (Used After Code Date 03021600)
●	696458	1	Alternator (Used Before Code Date 03021700)
●501	691188	1	Regulator (Used After Code Date 03021600)
●	691185	1	Regulator (Used Before Code Date 03021700)
●505	691251	1	Nut (Governor Control Lever)
●526	697088	1	Screw (Used After Code Date 03021600)
●	697348	1	Screw (Used Before Code Date 03021700)
●562	691119	1	Bolt (Governor Control Lever)

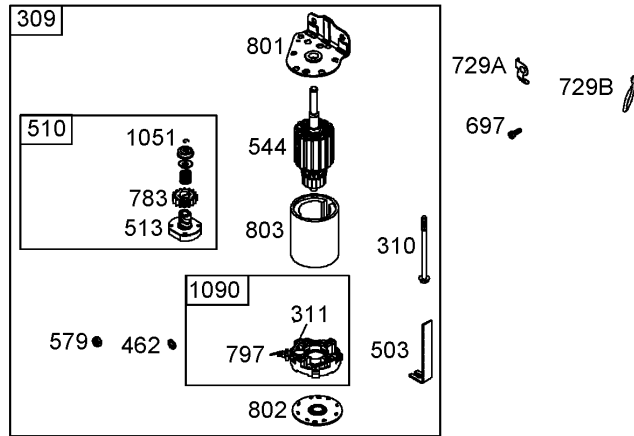
Ref	Part No.	Qty.	Description
●729	691335	1	Clip-Wire
●789	692037	1	Wiring-Harness
●851	692424	1	Terminal-Spark Plug
●1059	698516	1	Screw And Washer Kit
●1119	691183	1	Screw (Alternator)



Blower Housing Assembly Briggs and Stratton 286H77-0165-E1

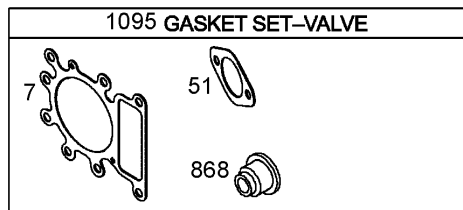
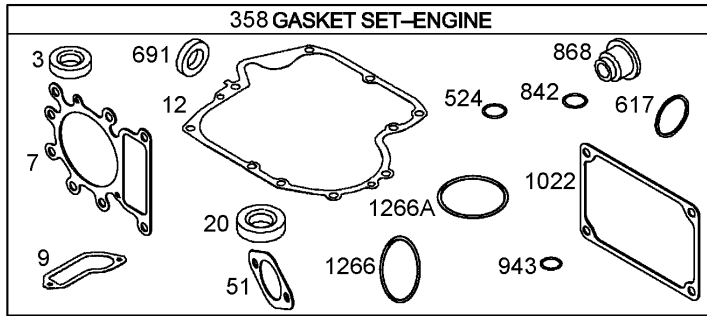
Ref	Part No.	Qty.	Description
●23	693556	1	Flywheel
●37	697352	1	Guard-Flywheel
●73	697133	1	Screen-Rotating
●74	697897	1	Screw (Rotating Screen)
●78	691003	1	Screw (Flywheel Guard)
●304	698599	1	Housing-Blower
●305	697102	1	Screw (Blower Housing)
●305A	697103	1	Screw (Blower Housing)
●363	19203	1	Puller-Flywheel
●431	697122	1	Elbow-Intake
●445	698083	1	Filter-Cartridge, Air Cleaner
●643	698401	1	Retainer-Filter, Air
●783	693713	1	Gear-Pinion
●967	697015	1	Filter-Cleaner, Pre
●968	697084	1	Cover-Cleaner, Air
●1005	699043	1	Fan-Flywheel
●1036	790464	1	Label-Emission (Used After Code Date 04063000)
●	695700	1	Label-Emission (Used Before Code Date 04070100)
●1040	699852	1	Plate-Trim
●1044	698139	1	Screw (Crankshaft Extension)
●1051	691265	1	Ring-Retaining
●1070	690372	1	Screw (Flywheel Fan)

Ref	Part No.	Qty.	Description
●1266	691917	1	Seal-O Ring
●1266A	697123	1	Seal-O Ring
●1267	697419	1	Latch-Housing, Blower



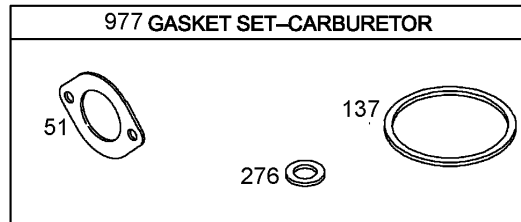
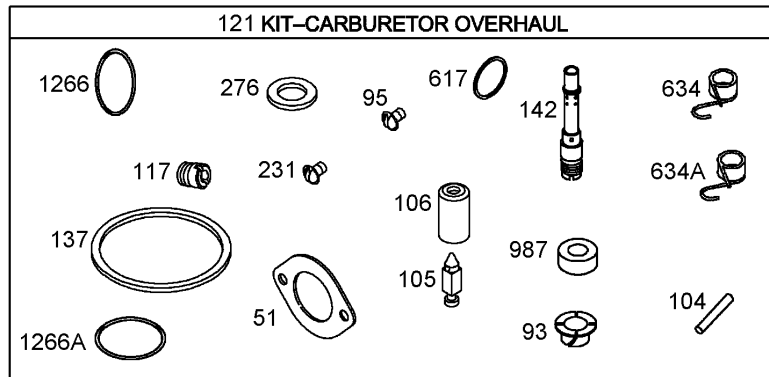
Starter Assembly Briggs and Stratton 286H77-0165-E1

Ref	Part No.	Qty.	Description
309	693551	1	Motor-Starter
310	690323	1	Bolt (Starter Motor)
311	497608	1	Brush Set
462	691261	1	Washer (Brush Retainer)
503	691532	1	Strap-Starter
510	693699	1	Drive-Starter
513	692024	1	Clutch-Drive
544	692034	1	Armature-Starter
579	691029	1	Nut (Brush Retainer)
697	690372	1	Screw (Drive Cap)
729A	691224	1	Clip-Wire
729B	694123	1	Clip-Wire
783	693713	1	Gear-Pinion
797	693167	1	Nut (Brush Retainer)
801	691283	1	Cap-Drive
802	691286	1	Cap-End
803	693757	1	Housing-Starter
1051	691265	1	Ring-Retaining
1090	691293	1	Retainer-Brush



Gasket Assembly Briggs and Stratton 286H77-0165-E1

Ref	Part No.	Qty.	Description
3	391086	1	Seal-Oil
7	273280	1	Gasket-Head, Cylinder
9	697109	1	Gasket-Breather
12	697110	1	Gasket-Crankcase
20	690947	1	Seal-Oil
51	692137	1	Gasket-Intake
358	697151	1	Engine Gasket Set
617	692138	1	Seal-O Ring
524	691032	1	Seal, O-Ring
691	692407	1	Seal-Shaft, Governor
842	691031	1	Seal-O Ring
868	690968	1	Seal-Valve
943	690589	1	Seal, O-Ring
1022	272475	1	Gasket-Cover, Rocker
1095	691581	1	Valve Gasket Set
1266	691917	1	Seal-O Ring
1266A	697123	1	Seal-O Ring



Carburetor Overhaul Kit Briggs and Stratton 286H77-0165-E1

Ref	Part No.	Qty.	Description
51	692137	1	Gasket-Intake
93	690602	1	Bushing-Shaft, Throttle
95	691636	1	Screw (Throttle Valve)
104	690525	1	Pin-Hinge, Carburetor Float
105	231855	1	Valve-Needle, Float
106	690577	1	Seat-Inlet
117	694352	1	Jet-Main (STD)
121	697154	1	Carburetor Overhaul Kit
137	281165	1	Gasket-Bowl, Float
142	697140	1	Nozzle-Carburetor
231	691636	1	Screw (Choke Valve)
276	692255	1	Washer-Sealing
617	692138	1	Seal-O Ring
634	690801	1	Spring / Seal ASM
634A	690802	1	Spring And Seal ASM
977	690192	1	Carburetor Gasket Set
987	691326	1	Seal-Shaft, Throttle
1266	691917	1	Seal-O Ring
1266A	697123	1	Seal-O Ring

Attachments and Accessories

For 74327 - TimeCutter Z420 Riding Mower

Product Name	Model/Part
Smooth Caster Wheel Kit	105-1856
Tire Chains	107-1738
42 Inch Deck Ring Kit	110-6509
Replacement Blade Kit	79209
Replacement Belt Kit	79211
42 Inch Twin Bagger	79214
48 Inch Snow Blade	79216
Recycler Kit	79218

NOTES

NOTES

NOTES

