



Z500 Z Master[®] With 60in 7-Gauge Side Discharge Mower

Model No. 74238CP - 280000001 and up.

Parts Catalog

Ordering Replacement Parts

To order replacement parts, please supply the part number, the quantity, and the description of each part desired.

Understanding Reference Numbers

Each identified part in an illustration has a reference number. The reference number for a part also appears in the parts list, along with other information about the part.

This catalog uses two special reference number formats, one to indicate parts in a service assembly and another to indicate the quantity of a given part in an illustration.

Service Assembly Reference Numbers

Parts in service assemblies have reference numbers in the form a:b. The a represents the reference number of the entire service assembly and the b represents a sequential number unique to each part within the service assembly.

For example, a wheel assembly might be identified by reference number 6, the tire by 6:1, the valve by 6:2, and the wheel by 6:3. When you order the assembly identified by reference number 6, you receive all parts identified by reference numbers 6:1, 6:2, and 6:3. However, you may also order any part individually. Reference numbers of this type appear in illustrations and in part lists.

Reference Numbers Indicating Quantity

In an illustration, if a reference number indicates more than one part, the reference number has the form nX y. The n represents the quantity of the part, the X is the multiplication symbol, and the y represents the reference number.

For example, in an illustration, the reference number 2X 37 means that two of the parts identified by reference number 37 are indicated.

Contents

Description	Page	Description	Page
Front Frame Assembly	3	Cylinder and Crankcase Assembly Kawasaki FH770D-AS05	29
Caster and Wheel Assembly	5	Piston and Crankshaft Assembly Kawasaki FH770D-AS05	30
Main Frame and Rear Wheel Assembly	6	Valve and Camshaft Assembly Kawasaki FH770D-AS05	31
Brake and Wheel Hub Assembly	7	Lubrication Equipment Assembly Kawasaki FH770D-AS05	32
Steering Control Assembly	8	Cooling Equipment Assembly Kawasaki FH770D-AS05	33
LH Motion Control Assembly No. 109-3906	9	Electric Equipment Assembly Kawasaki FH770D-AS05	34
RH Motion Control Assembly No. 109-3707	10	Control Equipment Assembly Kawasaki FH770D-AS05	35
Hydraulic Assembly	11	Carburetor Assembly Kawasaki FH770D-AS05	36
Pump Idler Assembly No. 103-5679	13	Air Filter and Muffler Assembly Kawasaki FH770D-AS05	37
Seat and Roll-Over Protection System Assembly	14	Fuel Tank and Valve Assembly Kawasaki FH770D-AS05	38
Seat Assembly No. 110-5737	15	Starter Assembly Kawasaki FH770D-AS05	39
Roll-Over Protection System Assembly No. 108-1097	16	Power-Take-Off Assembly Kawasaki FH770D-AS05	40
Deck Connection Assembly	17	Label Assembly Kawasaki FH770D-AS05	41
Deck Assembly	18	Attachments and Accessories List	42
Deck Decal Assembly No. 110-5561	20		
Spindle Assembly No. 112-8698	21		
Rubber Deflector Assembly No. 108-7770	22		
Drive Idler Assembly	23		
Engine and Clutch Assembly	24		
Guard Assembly	25		
Fuel System Assembly	26		
Electrical Assembly	27		

Part Description Abbreviations

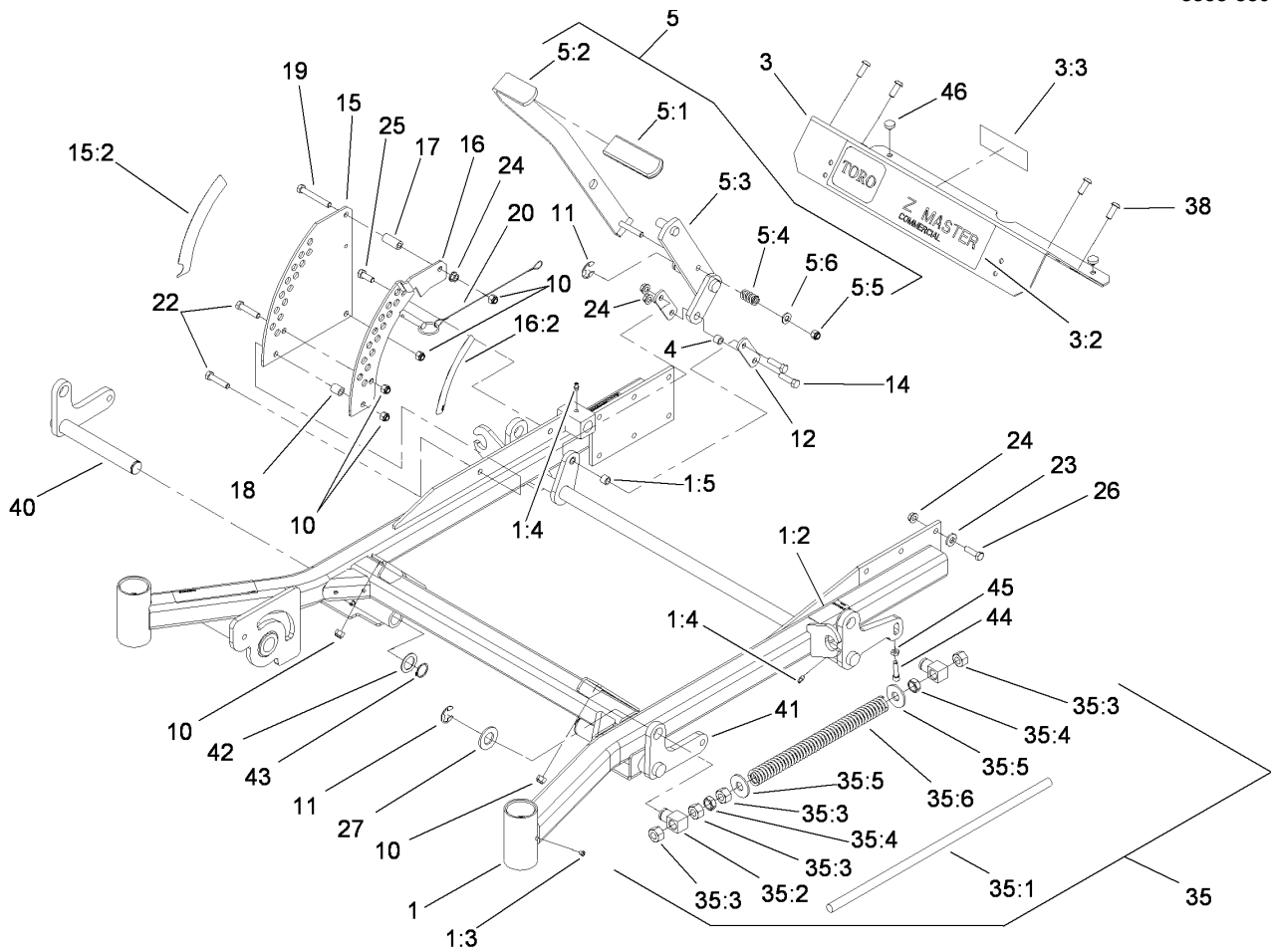
Part descriptions in this catalog may include the following abbreviations.

AR. as required	HYD. hydraulic
ASM. assembly	LH. left hand
BBC. blade brake clutch	NI. nylon insert
CARR. carriage	NPTF. national pipe thread fine
DEG. degrees	PFH. phillips flat head
EXT. external	PPH. phillips pan head
FH. flat head	PPHTF. phillips pan head thread forming
GA. gauge	PRH. phillips round head
HD. heavy-duty	PTH. phillips truss head
HF. hex flange	PTO. power-take-off
HH. hex head	RH. right hand
HHF. hex head flange	ROPS. roll-over protection system
HHFTF. hex head flange thread forming	SFH. slotted fillister head
HJ. hex jam	SHH. slotted hex head
HLH. hex lag head	SHWH. slotted hex washer head
HOC. height-of-cut	SPH. slotted pan head
HSBH. hex socket button head	SQH. square head
HSFH. hex socket flat head	SRH. slotted round head
HSH. hex socket head	STD. standard
HWH. hex washer head	TAP. self tapping
HWHTF. hex washer head thread forming	TTH. torx truss head

Footnotes

- ❶ Not illustrated
- ❷ Obtain from your local Kawasaki dealer

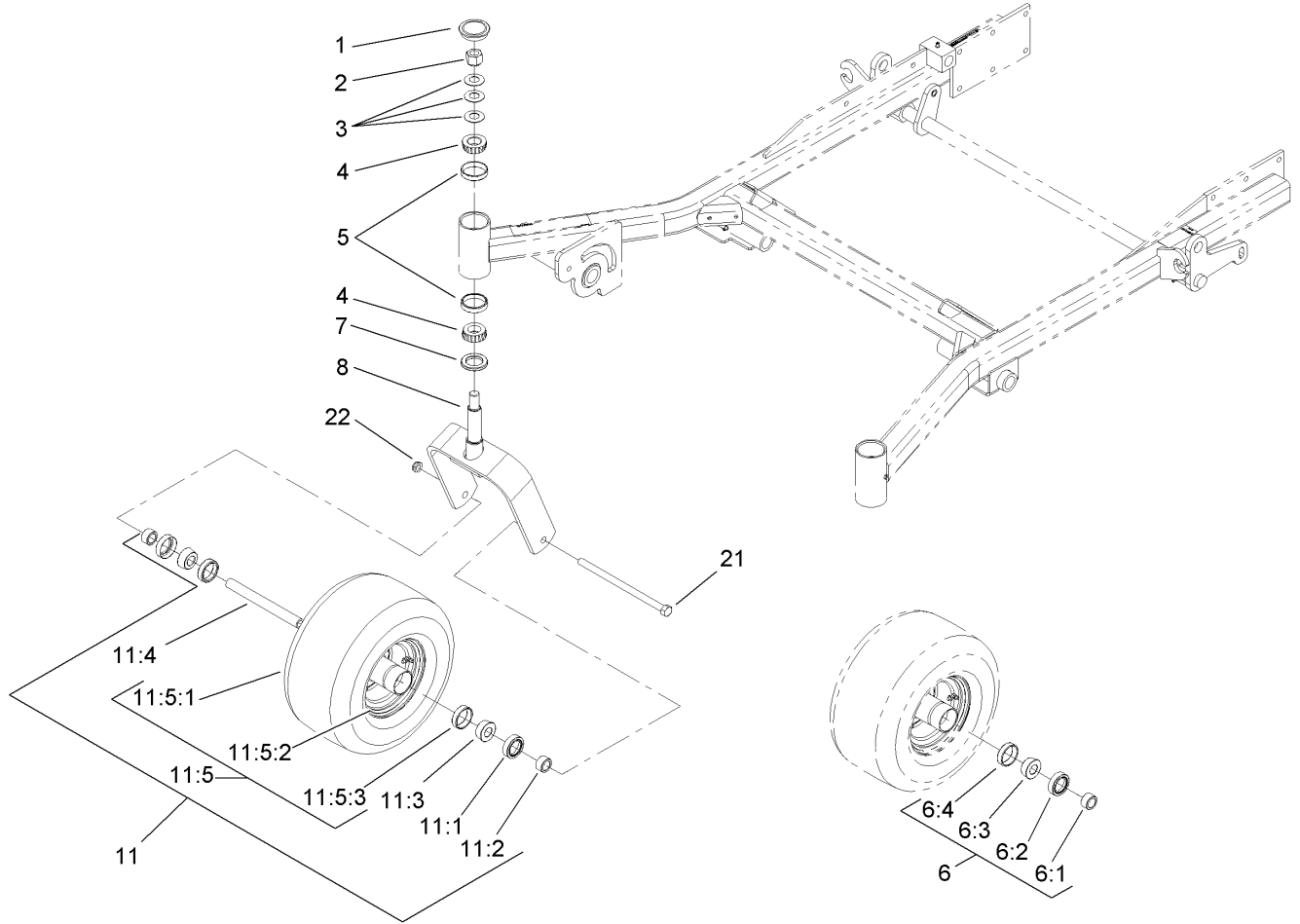
- ❸ Not serviced separately



Front Frame Assembly

Ref	Part No.	Qty.	Description
1	107-8085	1	Frame ASM
1:2	107-1857	1	Decal-Brake, Parking
1:3	1-811010	2	Plug
1:4	302-19	5	Fitting-Grease
1:5	103-1918	1	Bushing
3	106-9981	1	Footrest
3:2	106-7451	1	Decal
3:3	107-2112	1	Decal-Warning
4	103-1918	1	Bushing
5	110-5860	1	Deck Lift Handle ASM
5:1	1-633295	1	Grip-Lever, Lift
5:2	103-2083	1	Lever-Lift
5:3	103-2064	1	Arm-Lift, Deck
5:4	1-633325	1	Spring-Compression
5:5	3296-39	1	Nut-Lock, NI
5:6	3256-24	1	Washer-Flat
10	3296-39	8	Nut-Lock, NI
11	32151-103	5	Ring-Retaining, EXT
12	1-633068	2	Arm-Lift, Deck
14	323-29	2	Screw-HH
15	110-0833	1	Plate-Deck Lift, Outer
15:2	107-1860	1	Decal-Height, Deck
16	110-0834	1	Plate-Deck Lift, Inner
16:2	107-1861	1	Decal-Height, Deck

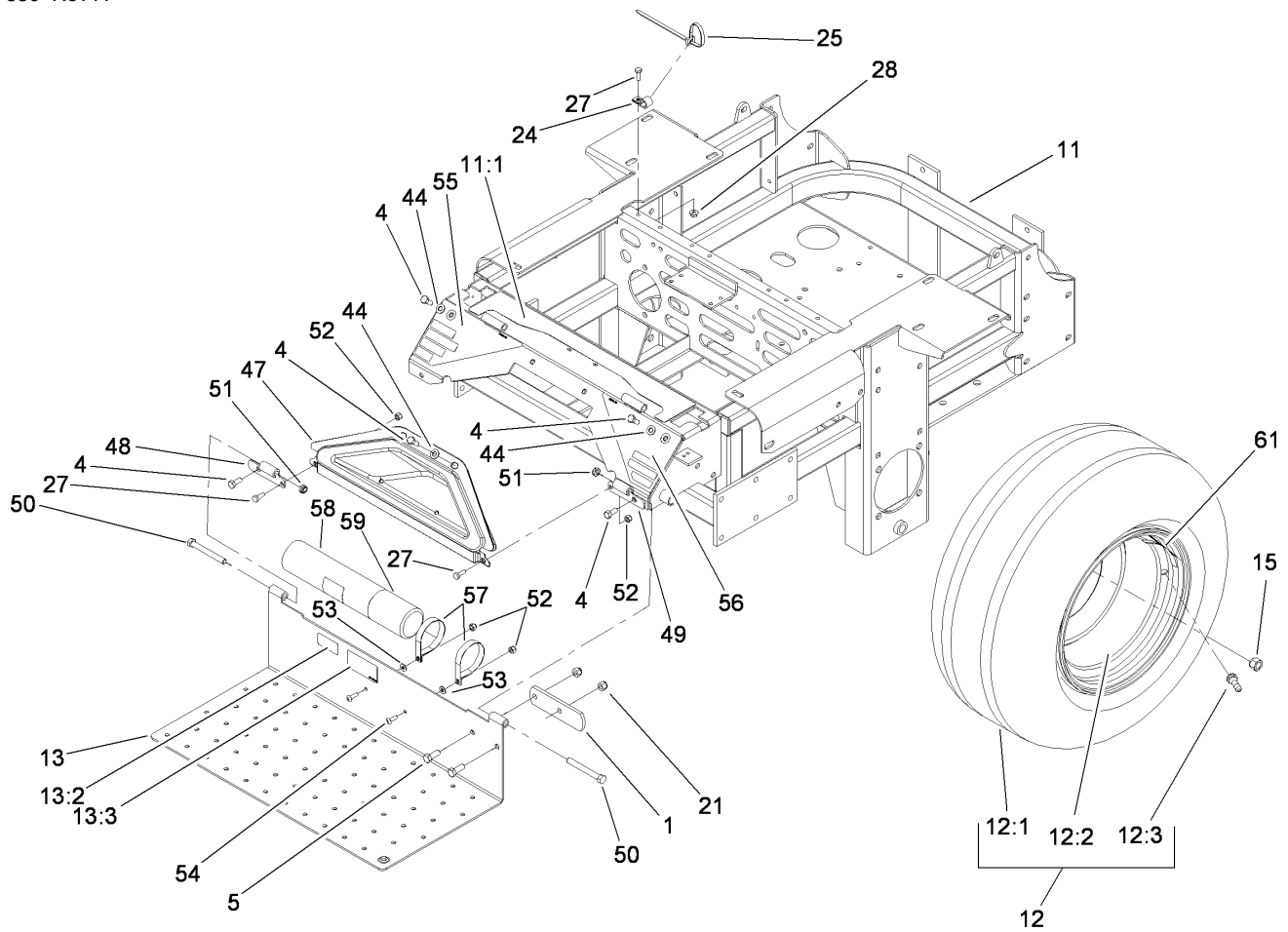
Ref	Part No.	Qty.	Description
17	1-633082	1	Bushing-Lever, Lift
18	1-633080	1	Bushing-Lever, Lift
19	323-13	1	Screw-HH
20	106-9951	1	Hitch Pin ASM
22	323-9	2	Screw-HH
23	98-5975	12	Washer-Belleville
24	3290-357	15	Nut-HHF, Whiz
25	323-6	1	Screw-HH
26	323-7	12	Screw-HH
27	3256-29	4	Washer-Flat
35		2	Front Frame Spring ASM
35:1	1-633096	1	Rod-Lift, Deck
35:2	1-633441	2	Swivel-Deck Mount, Rear
35:3	3217-11	4	Nut-Hex
35:4	3218-6	2	Nut-Jam
35:5	3256-7	2	Washer-Flat
35:6	1-633064	1	Spring-Support, Deck
38	3274-94	4	Screw-HSBH
40	110-4156-01	1	RH Deck Lift ASM
41	106-8984-01	1	LH Deck Lift ASM
42	1-523157	2	Washer-Spacer
43	32151-29	2	Ring-Retaining
44	3274-18	2	Screw-HSH
45	3218-2	2	Nut-Jam



Caster and Wheel Assembly

Ref	Part No.	Qty.	Description
1	103-4882	2	Cap-Grease
2	3296-51	2	Nut-Lock, NI
3	1-633508	6	Washer-Bellville
4	254-94	4	Bearing-Cone, Tapered
5	254-72	4	Bearing-Cup, Tapered
6	110-8837	1	Caster Wheel Bearing Kit
6:1	1-633581	2	Spacer-Bearing
6:2	1-633580	2	Seal-Bearing
6:3	1-633584	2	Bearing-Cup
6:4	1-633585	2	Bearing-Cone, Taper
7	1-543511	2	Seal-Grease
8	1-642111-01	2	Caster
11	1-644251	2	Caster Wheel ASM
11:1	1-633580	2	Seal-Bearing
11:2	1-633581	2	Spacer-Bearing
11:3	1-633585	2	Bearing-Cone, Taper
11:4	1-633959	1	Spacer-Caster, Front
11:5		1	Wheel And Tire ASM
11:5:1	1-523009	1	Tire
11:5:2	1-633987	1	Wheel
11:5:3	1-633584	2	Bearing-Cup
21	325-24	2	Screw-HH
22	3296-45	2	Nut-Lock, NI

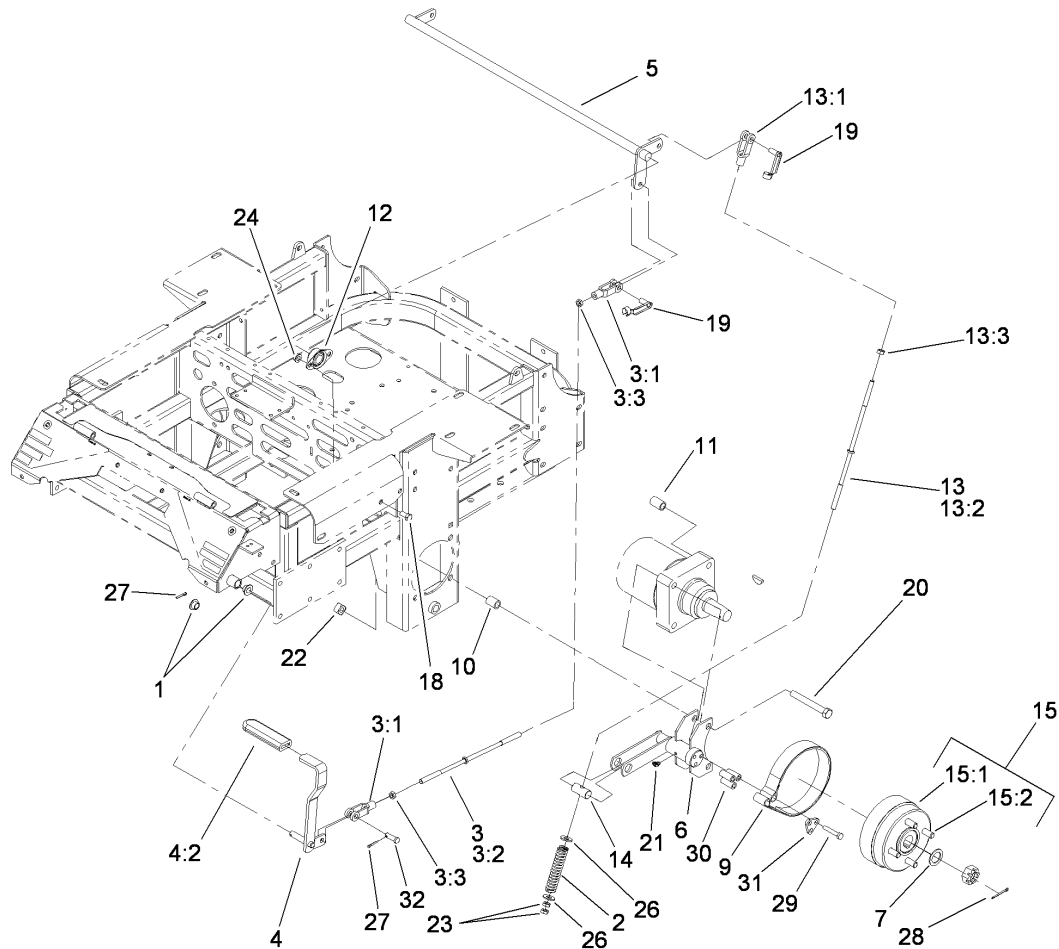
Ref	Part No.	Qty.	Description



Main Frame and Rear Wheel Assembly

Ref	Part No.	Qty.	Description
1	1-633964-03	1	Stop-Brake, Park
4	322-43	6	Screw-HH
5	323-6	2	Screw-HH
11	114-1509	1	Frame ASM
11:1	107-8076	1	Decal-Console, Top
12	1-653010	2	Wheel And Tire ASM
12:1	1-653160	1	Tire
12:2	1-653158	1	Wheel
12:3	232-27	1	Stem-Valve
13	107-1858	1	Floorpan
13:2	98-4387	1	Decal-Protection, Ear
13:3	107-1864	1	Decal-Location, Manual
15	242-50	8	Nut-Lug
21	3296-39	2	Nut-Lock, NI
24	1-513762	1	Clip-Loom
25	1-303335	2	Tie-Plastic
27	321-4	3	Screw-HH
28	32128-33	1	Nut-HF
44	3256-70	6	Washer-Flat
47	106-7498	1	Pocket
48	106-7488-03	1	Hinge-Floorpan, LH
49	106-7489-03	1	Hinge-Floorpan, RH
50	323-20	2	Screw-HH
51	3296-59	2	Nut-Lock, NI

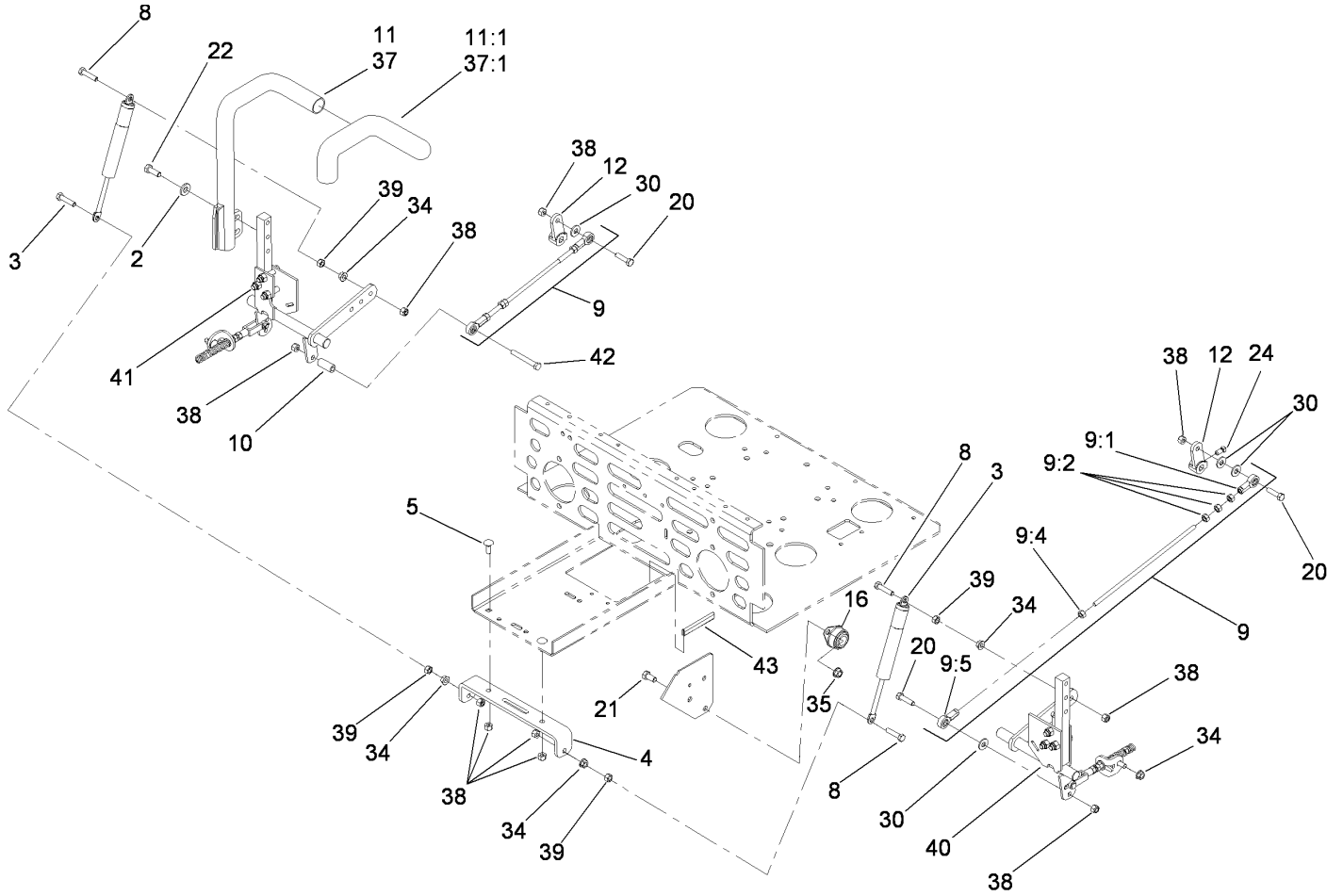
Ref	Part No.	Qty.	Description
52	3296-42	4	Nut-Lock, NI
53	3256-63	2	Washer-Flat
54	3258-166	2	Screw-PRH
55	106-9989	1	Decal-Warning
56	106-7492	1	Decal-Danger
57	107-1865	2	R-Clamp
58	104-7050	1	Housing-Manual
59	104-7048	1	Cap-Housing
61	109-7949	2	Decal-Wheel Hub, Slotted Nut



Brake and Wheel Hub Assembly

Ref	Part No.	Qty.	Description
1	1-513140	2	Bearing-Control
2	1-633454	2	Spring-Brake
3	103-4332	1	Brake Rod And Yoke ASM
3:1	1-633131	2	Yoke-Linkage, Brake
3:2	1-633477	1	Rod-Brake
3:3	3219-3	2	Nut-Hex
4	1-634500	1	Brake Lever ASM
4:2	1-633268	1	Grip-Lever, Brake
5	1-632217-03	1	Shaft-Brake
6	103-0352-03	2	Bracket-Brake
7	1-523157	2	Washer-Spacer
9	103-0355	2	Band-Brake
10	1-633380	4	Spacer-Wheel, Short
11	1-633382	4	Spacer-Wheel, Long
12	1-633102	2	Bearing-Flange, Side
13	103-4333	2	Brake Rod And Yoke ASM
13:1	1-633131	1	Yoke-Linkage, Brake
13:2	1-633477	1	Rod-Brake
13:3	3219-3	1	Nut-Hex
14	1-633144	2	Pin-Trunion
15	103-0590	2	Hub And Wheel ASM
15:1	103-0589	1	Wheel Hub ASM
15:2	1-633926	4	Stud-Wheel
18	323-4	4	Screw-HH

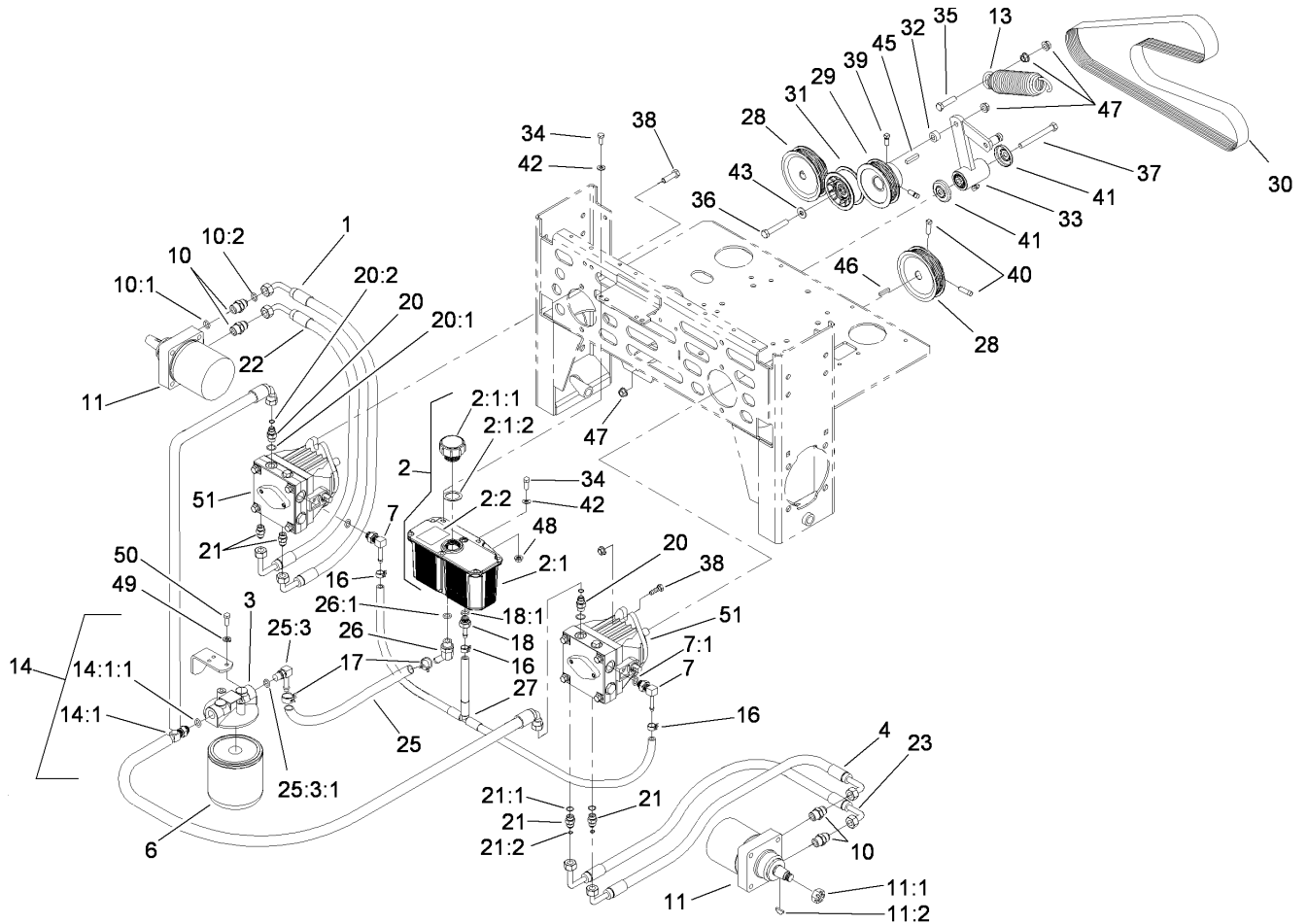
Ref	Part No.	Qty.	Description
19	103-2399	3	Pin-Spring, Clevis
20	325-17	8	Screw-HH
21	1481	2	Fitting-Grease
22	109-5618	8	Nut, Square Special
23	3219-3	4	Nut-Hex
24	3290-357	4	Nut-HHF, Whiz
26	3256-4	4	Washer-Flat
27	3272-10	2	Pin-Cotter
28	1-806800	2	Pin-Cotter
29	322-9	6	Screw-HH
30	103-0384	6	Spacer
31	103-0374	2	Retainer-Band, Brake
32	1-808285	1	Pin-Clevis



Steering Control Assembly

Ref	Part No.	Qty.	Description
2	98-5975	4	Washer-Belleville
3	109-2339	2	Damper-Control, Motion
4	109-6058-03	1	Bracket-Mount, Damper
5	3230-16	2	Screw-CARR
8	1-403180	4	Screw-HH
9	103-4331	2	Tracking Rod ASM
9:1	1-543017	1	Balljoint-RH
9:2	3219-2	3	Nut-Hex
9:4	1-804524	1	Nut
9:5	1-633152	1	Balljoint-LH
10	103-0384	1	Spacer
11	108-7238	1	LH Lever ASM
11:1	106-9987	1	Grip-Control, Motion
12	1-632208	2	Arm-Control, Pump
16	1-633102	4	Bearing-Flange, Side
20	322-6	3	Screw-HH
21	323-4	8	Screw-HH
22	323-6	4	Screw-HH
24	1-803022	2	Screw-Set
30	3256-3	4	Washer-Flat
34	32128-20	6	Nut-HF
35	3290-357	8	Nut-HHF, Whiz
37	108-7237	1	RH Lever ASM
37:1	106-9987	1	Grip-Control, Motion

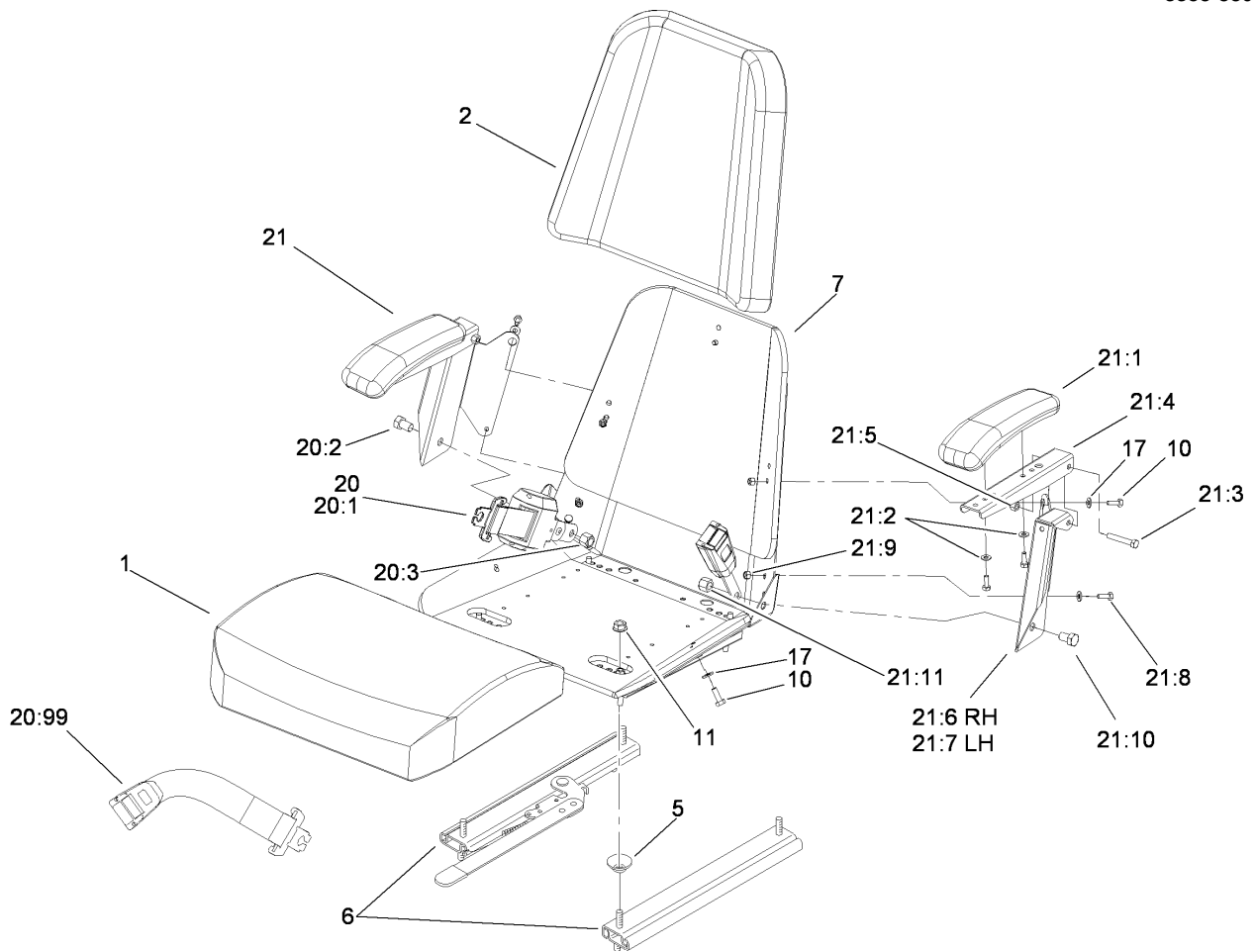
Ref	Part No.	Qty.	Description
38	3296-29	10	Nut-Lock, NI
39	3217-6	4	Nut-Hex
40	109-3906	1	LH Motion Control ASM
41	109-3907	1	RH Motion Control ASM
42	322-12	1	Screw-HH
43	105-7699	1	Strip-Seal



Hydraulic Assembly

Ref	Part No.	Qty.	Description
1	103-3736	1	HYD Hose ASM
2	103-1947	1	HYD Reservoir ASM
2:1		1	Reservoir-HYD
2:1:1	103-1948	1	Cap-Reservoir, HYD
2:1:2	103-1949	1	Gasket-Cap
2:2	1-523552	1	Decal-Tank, HYD
3	104-7836	1	Head-Filter
4	103-3733	1	HYD Hose ASM
6	1-633750	1	Filter-Oil, HYD
6	1-633752	1	Filter-HYD, Winter
7	103-1799	2	Elbow-90 DEG
7:1	237-42	1	O-Ring
10	1-603991	4	Fitting-Straight
10:1	237-80	1	O-Ring
10:2	1-603992	1	O-Ring
11	1-523328	2	Motor-Wheel
11:1	1-809036	1	Nut-HH
11:2	3257-42	1	Key-Woodruff
11:99	103-2748	1	Drive Link Kit
11:99	1-000139	1	Bearing Kit
11:99	1-000099	1	Seal Kit
13	103-3330	1	Spring-Extension
14	109-6273	1	HYD Hose ASM
14:1		1	Adapter-Run, Tee

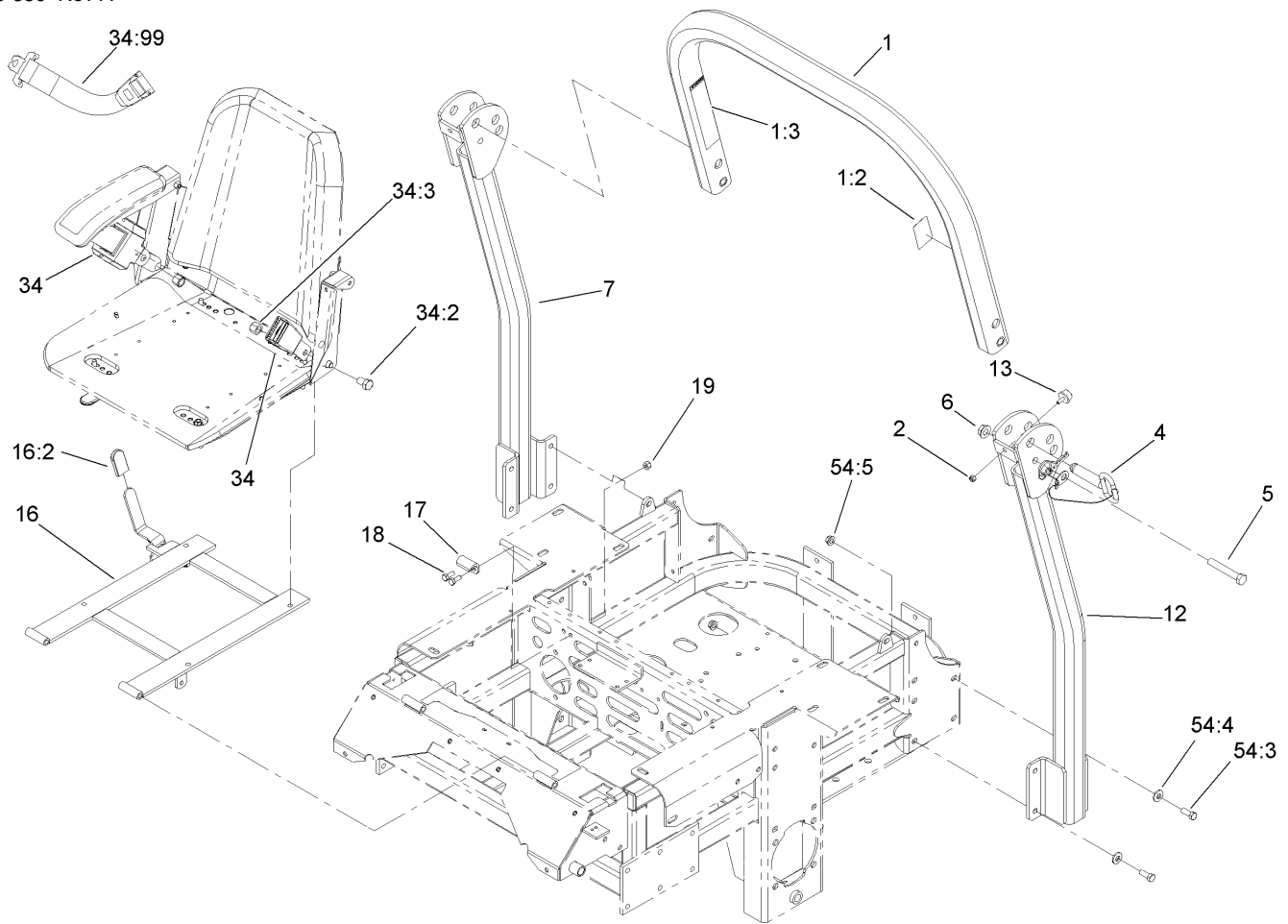
Ref	Part No.	Qty.	Description
14:1:1	237-42	1	O-Ring
16	103-1716	3	Clamp-Hose
17	103-1988	1	Clamp-Hose
18	103-1801	1	Adapter-Straight
18:1	237-42	1	O-Ring
20	103-2156	2	Fitting-Straight
20:1	1-603921	1	O-Ring
20:2	103-1020	1	O-Ring
21	1-603990	4	Fitting-Straight
21:1	1-603920	1	O-Ring
21:2	1-603992	1	O-Ring
22	103-3737	1	HYD Hose ASM
23	103-3735	1	HYD Hose ASM
25	109-7689	1	HYD Hose ASM
25:3		1	Fitting-Barb
25:3:1	237-42	1	O-Ring
26	103-1807	1	Elbow-45 DEG
26:1	237-42	1	O-Ring
27	103-1806	1	HYD Hose ASM
28	109-6046	2	Sheave
29	109-7738	1	Sheave
30	114-1512	1	Belt
31	109-4076	1	Pulley-Flat Idler
32	1-603050	1	Spacer



Seat Assembly No. 110-5737

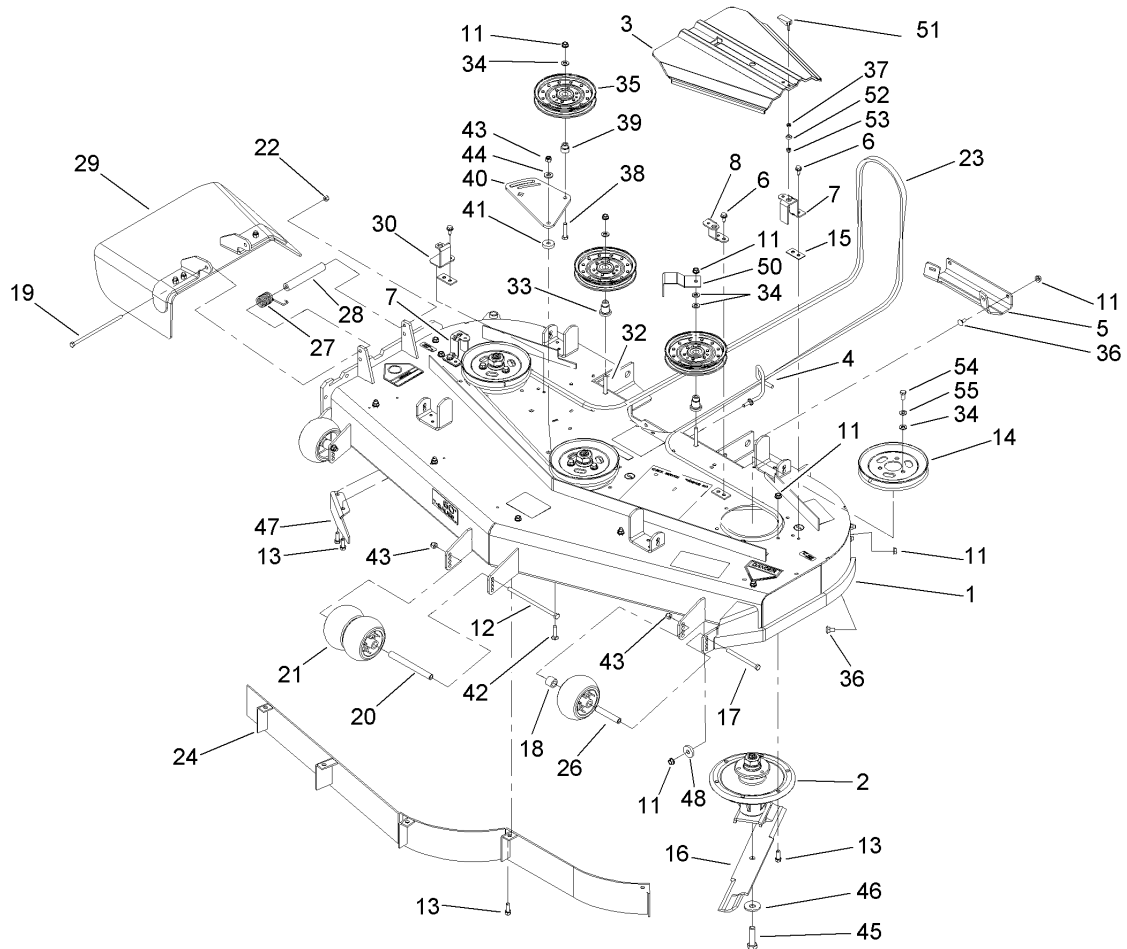
Ref	Part No.	Qty.	Description
1	110-5741	1	Cushion-Seat, Bottom
2	110-5742	1	Cushion-Seat, Back
5	1-543401	4	Spacer-Track
6	1-643255	1	Track-Seat
7	1-633859	1	Frame-Seat
10	321-4	5	Screw-HH
11	32128-20	4	Nut-HF
17	3256-22	5	Washer-Flat
20	110-0883	1	Retractable Seatbelt Kit
20:1		1	Seatbelt-Retractable
20:2	3212-4	2	Screw-HH
20:3	3296-7	2	Nut-Lock
20:99	109-6226	1	Seat Belt Extension Kit
21	110-5719	1	Armrest Kit
21:1	110-4163	2	Cushion-Rest, Arm
21:2	3256-22	4	Washer-Flat
21:3	322-10	2	Screw-HH
21:4	105-3623	2	Channel-Armrest
21:5	32153-3	2	Nut-Hex, Side Deform
21:6	105-3621	1	Bracket-Armrest, RH
21:7	105-3622	1	Bracket-Armrest, LH
21:8	321-30	8	Screw-HH
21:9	3296-42	4	Nut-Lock, NI
21:10	325-2	2	Screw-HH

Ref	Part No.	Qty.	Description
21:11	3296-23	2	Nut-Lock, NI



Roll-Over Protection System Assembly No. 108-1097

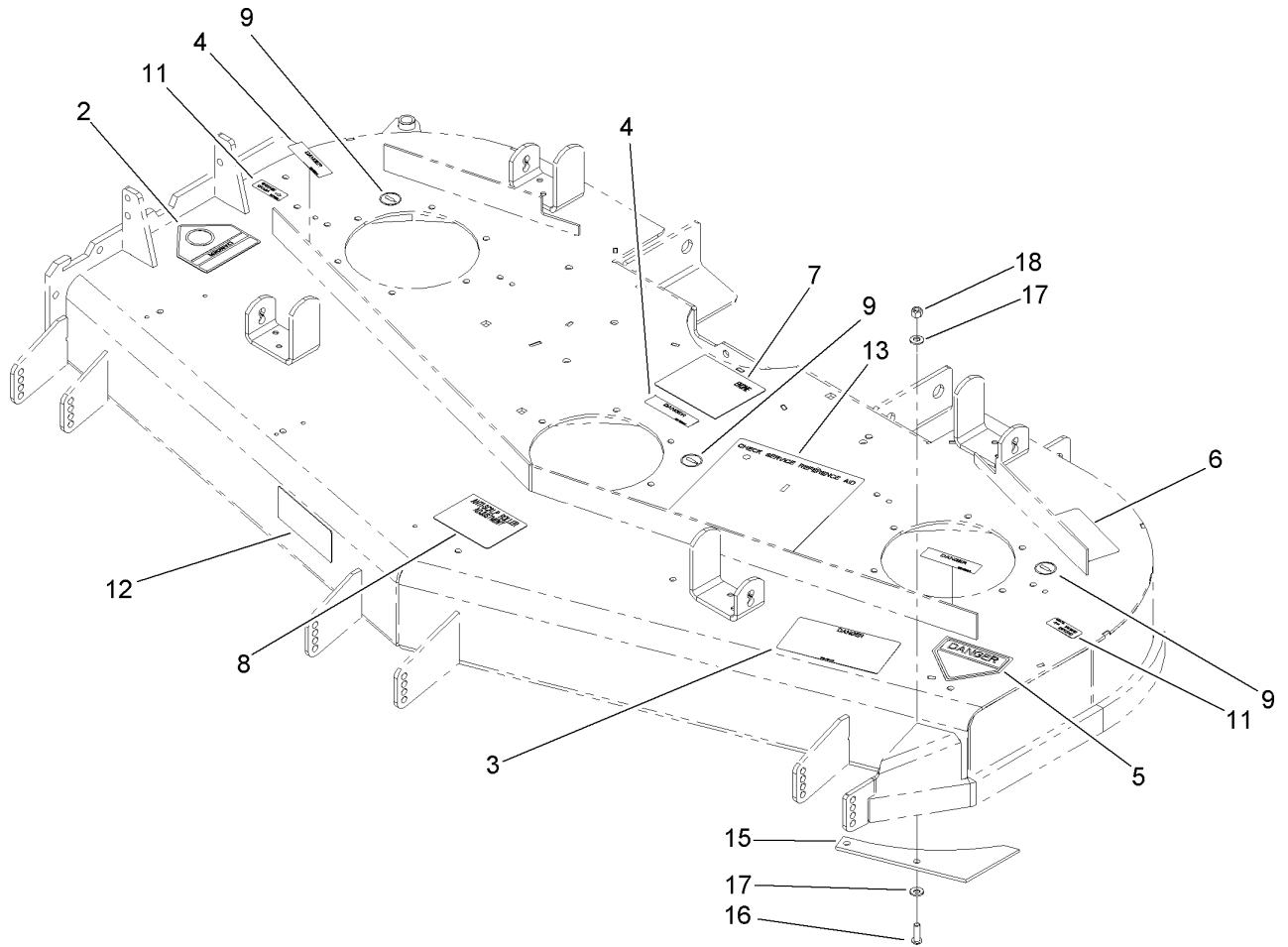
Ref	Part No.	Qty.	Description
①		1	Upper Tube ASM
1:2	107-2101	1	Decal-ROPS
1:3	107-2102	1	Decal-Warning, Folding ROPS
2	3296-73	2	Nut-Lock, NI
4	103-4553	2	ROPS Fold Pin ASM
5	325-13	2	Screw-HH
6	32128-23	2	Nut-HF
②		1	Tube-Support, RH
②		1	Tube-Support, LH
13	109-2365	2	Bumper-Rubber (W/Stud)
16	110-5850	1	Seat Frame And Latch ASM
16:2	103-4434	1	Grip-Lever
17	107-3058	1	Catch-Latch, Seat
18	322-3	2	Screw-HH
19	3296-29	2	Nut-Lock, NI
34	110-0883	1	Retractable Seatbelt Kit
34:2	3212-4	2	Screw-HH
34:3	3296-7	2	Nut-Lock
34:99	109-6226	1	Seat Belt Extension Kit
① ②		1	Bag-Bolt, ROPS
54:3	323-6	8	Screw-HH
54:4	98-5975	8	Washer-Belleville
54:5	3290-357	8	Nut-HHF, Whiz



Deck Assembly

Ref	Part No.	Qty.	Description
1	110-5561	1	Deck Decal ASM
2	112-8698	3	Spindle ASM
3	112-8664	2	Cover-Belt
4	106-3220	1	Guide-Belt
5	105-8792-01	1	Plate-Skid
6	32144-70	4	Screw-HWHTF
7	108-4121-01	2	Bracket-Cover
8	108-2177-01	1	Bracket-Cover, Tall
11	3290-357	36	Nut-HHF, Whiz
12	323-28	1	Screw-HH
13	92-1624	24	Screw
14	105-7734	3	Pulley
15	112-8663-01	4	Spacer-Cover, Belt
16	105-7718-03	3	Blade-Hi Flow
17	323-23	2	Screw-HH
18	98-7913	2	Tube-Spacer
19	322-50	1	Screw-HH
20	98-5967	1	Spacer-Wheel
21	1-603299	4	Roller-Scalp, Anti
22	3296-29	1	Nut-Lock, NI
23	105-8783	1	Belt
24	110-5564-01	1	Baffle ASM
26	98-7912	2	Tube-Spacer
27	108-4052	1	Spring-Torsion

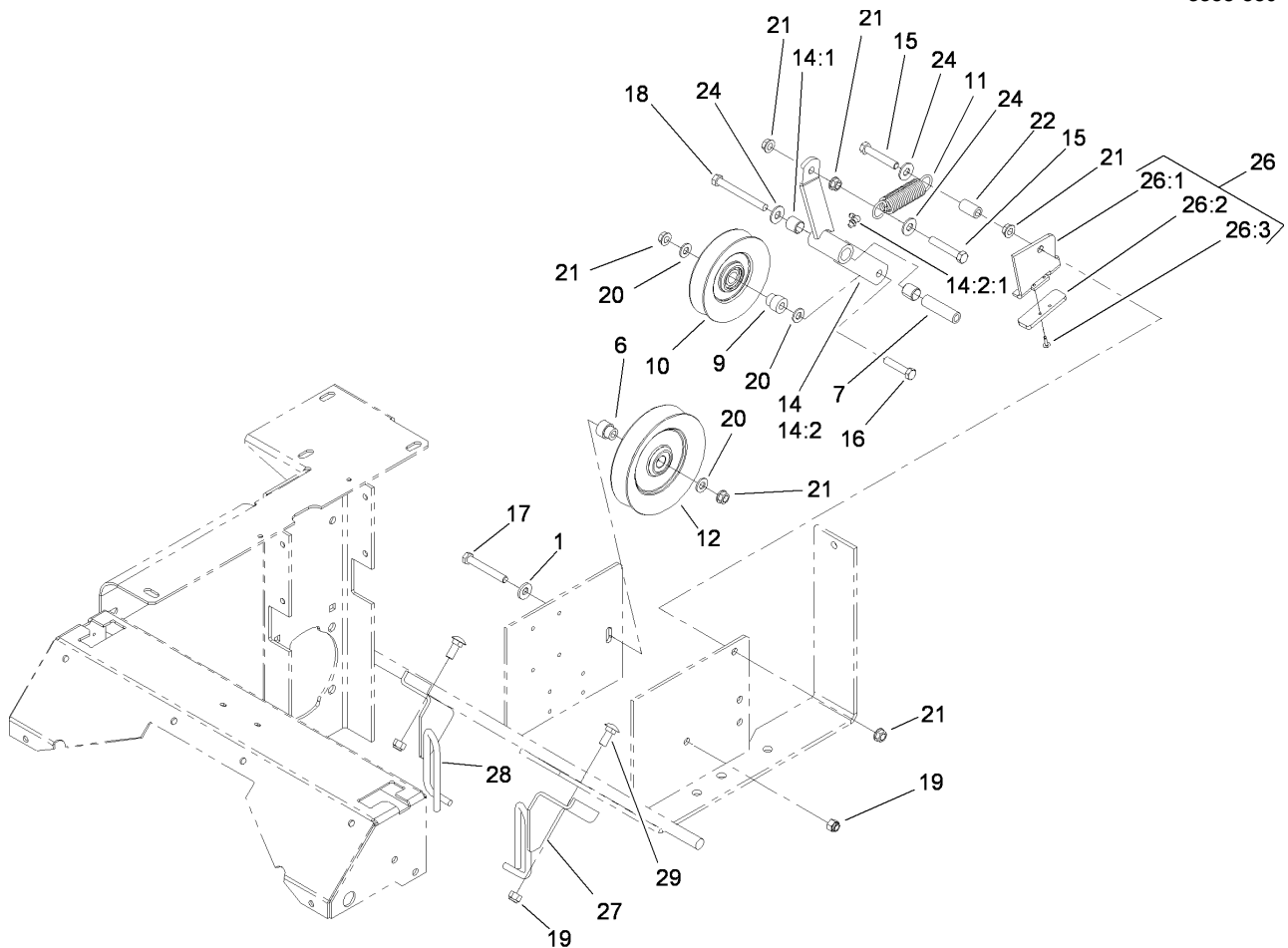
Ref	Part No.	Qty.	Description
28	105-4622	1	Spacer
29	108-7770	1	Rubber Deflector ASM
30	108-4122-01	1	Bracket-Cover
32	3231-31	2	Screw-CARR
33	106-3214	2	Mount-Pulley
34	3256-24	13	Washer-Flat
35	1-633109	3	Idler-Flat
36	3231-1	10	Screw-CARR
37	99-3058	4	Washer
38	323-9	1	Screw-HH
39	1-603496	1	Bushing-Idler
40	105-7787-01	1	Plate-Idler
41	105-7788	2	Spacer
42	3231-4	2	Screw-CARR
43	3296-39	7	Nut-Lock, NI
44	98-5975	1	Washer-Belleville
45	51-4060	3	Screw-Blade
46	103-0865	3	Washer-Blade Bolt, Heavy
47	106-3216-01	1	Baffle-Discharge
48	112843	1	Washer
50	108-7220-01	1	Guide-Belt
51	106-6777	2	Handle-Latch, Swell
52	106-6778	2	Bushing-Latch, Swell
53	1-804254	2	Nut



Deck Decal Assembly No. 110-5561

Ref	Part No.	Qty.	Description
2	54-9220	1	Decal-Danger
3	66-1340	1	Decal-Danger
4	98-5954	3	Decal-Cover, Missing
5	1-403005	1	Decal-Danger
6	68-8340	1	Decal-Torque
7	105-7797	1	Decal-Routing, Belt
8	105-7798	1	Decal-Scalp, Anti
9	58-6520	3	Decal-Grease
11	107-1613	2	Decal-Grease
12	110-5567	1	Decal
13	107-1621	1	Decal-Service, Check
15	107-3137	1	Plate-Turbo
16	3274-104	2	Screw-HSBH
17	1-303334	4	Washer-Spring
18	3296-29	2	Nut-Lock, NI

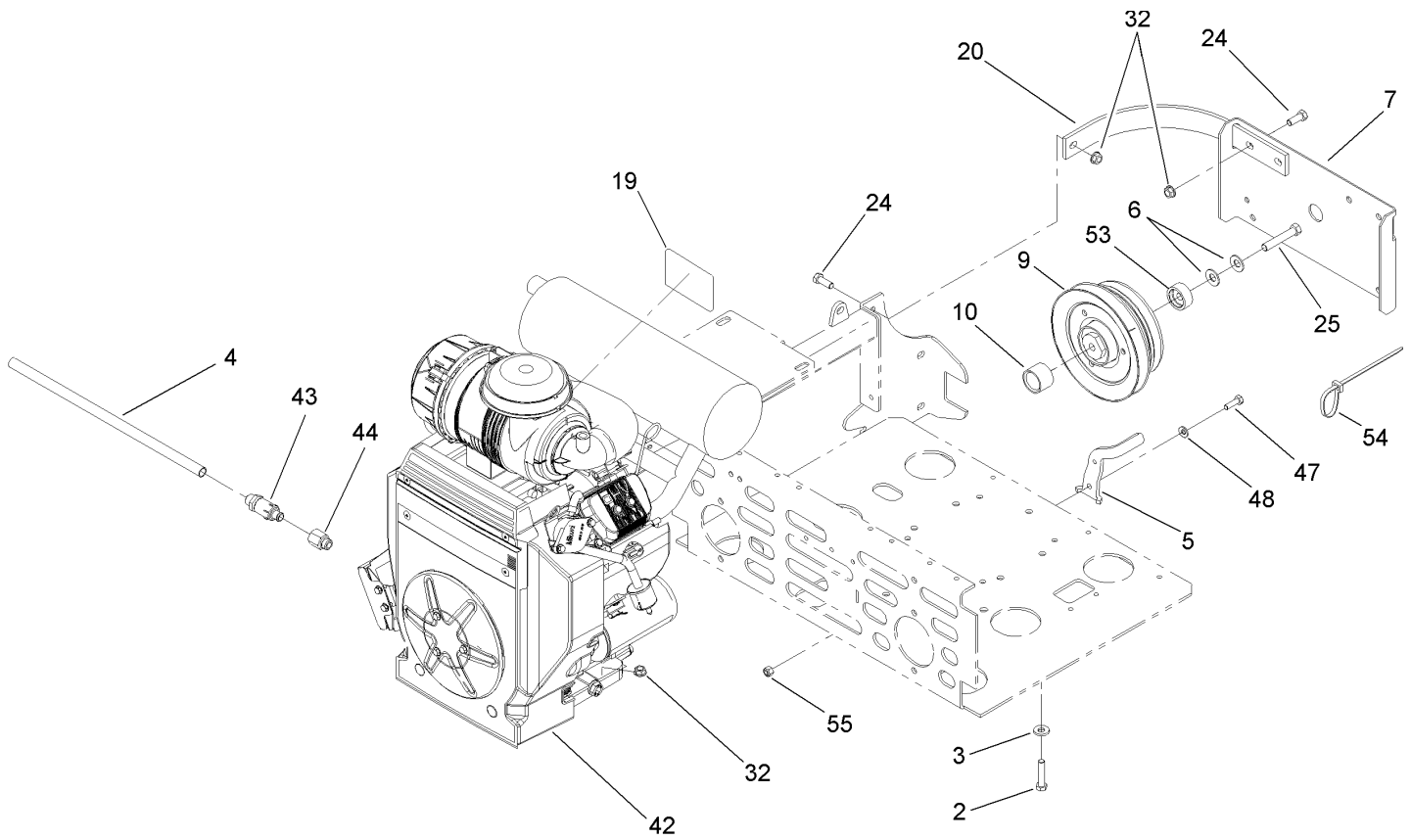
--	--	--	--



Drive Idler Assembly

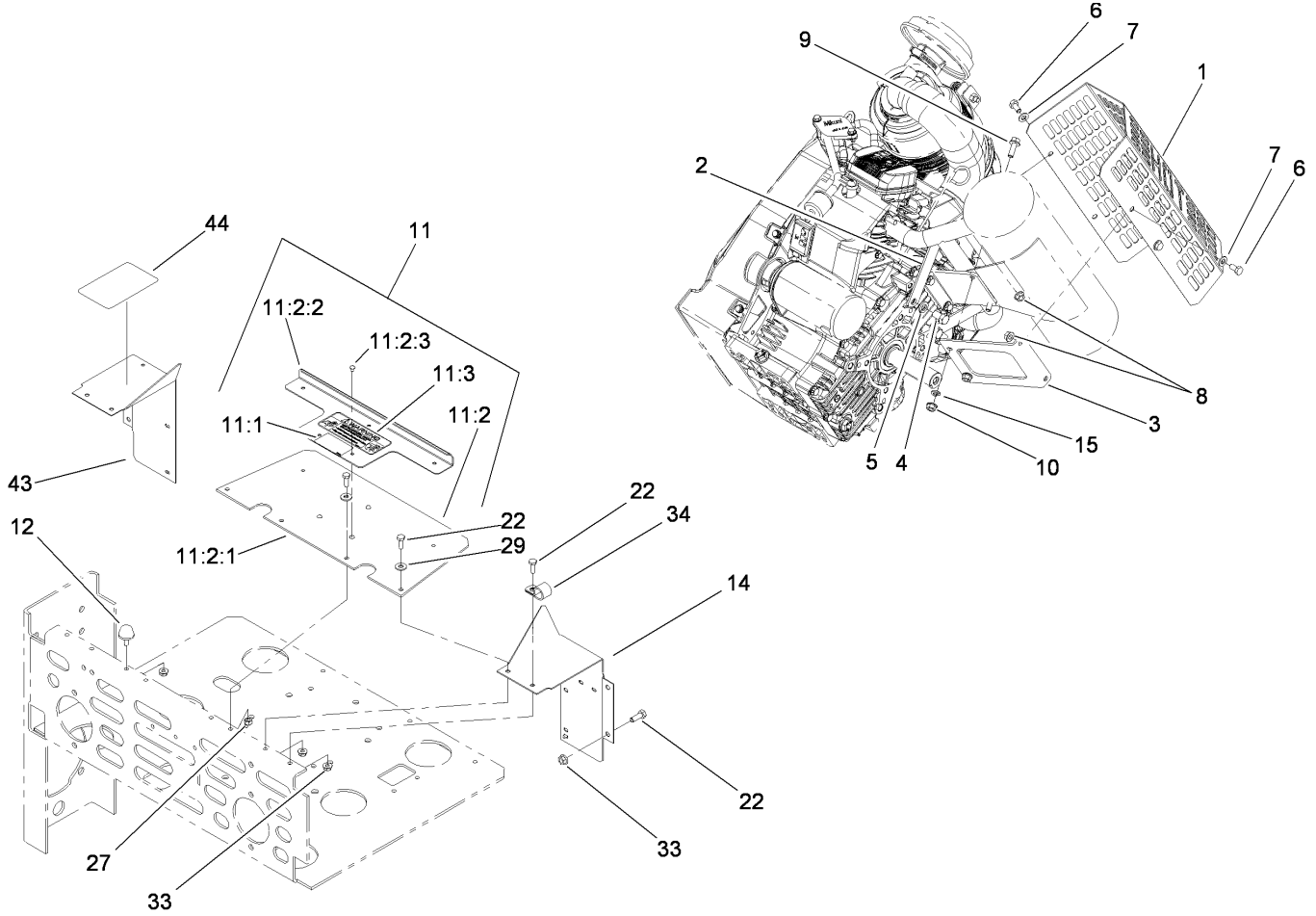
Ref	Part No.	Qty.	Description
1	98-5975	1	Washer-Belleville
6	103-2627	1	Bushing-Idler
7	1-603384	1	Bushing-Pivot, Idler
9	1-603496	1	Bushing-Idler
10	99-4638	1	Idler
11	1-603402	1	Spring-Extension
12	1-633166	1	Pulley-Idler
14	103-3147	1	Arm ASM
14:1	1-513034	2	Sleeve-Bearing
14:2		1	Arm-Idler
14:2:1	302-40	1	Fitting-Grease
15	323-12	2	Screw-HH
16	323-9	1	Screw-HH
17	323-13	1	Screw-HH
18	1-800805	1	Screw-HH
19	3296-39	3	Nut-Lock, NI
20	3256-24	3	Washer-Flat
21	3290-357	6	Nut-HHF, Whiz
22	1-603401	1	Spacer-Fender
24	3256-4	3	Washer-Flat
26	106-3271	1	Travel Limiter ASM
26:1	106-3228-03	1	Plate-Limiter, Pulley
26:2	106-3229	1	Pad-Bumper
26:3	3269-24	2	Rivet

Ref	Part No.	Qty.	Description
27	108-7204-03	1	Guide-Belt, LH
28	108-7229-03	1	Guide-Belt, RH
29	3231-2	2	Screw-CARR



Engine and Clutch Assembly

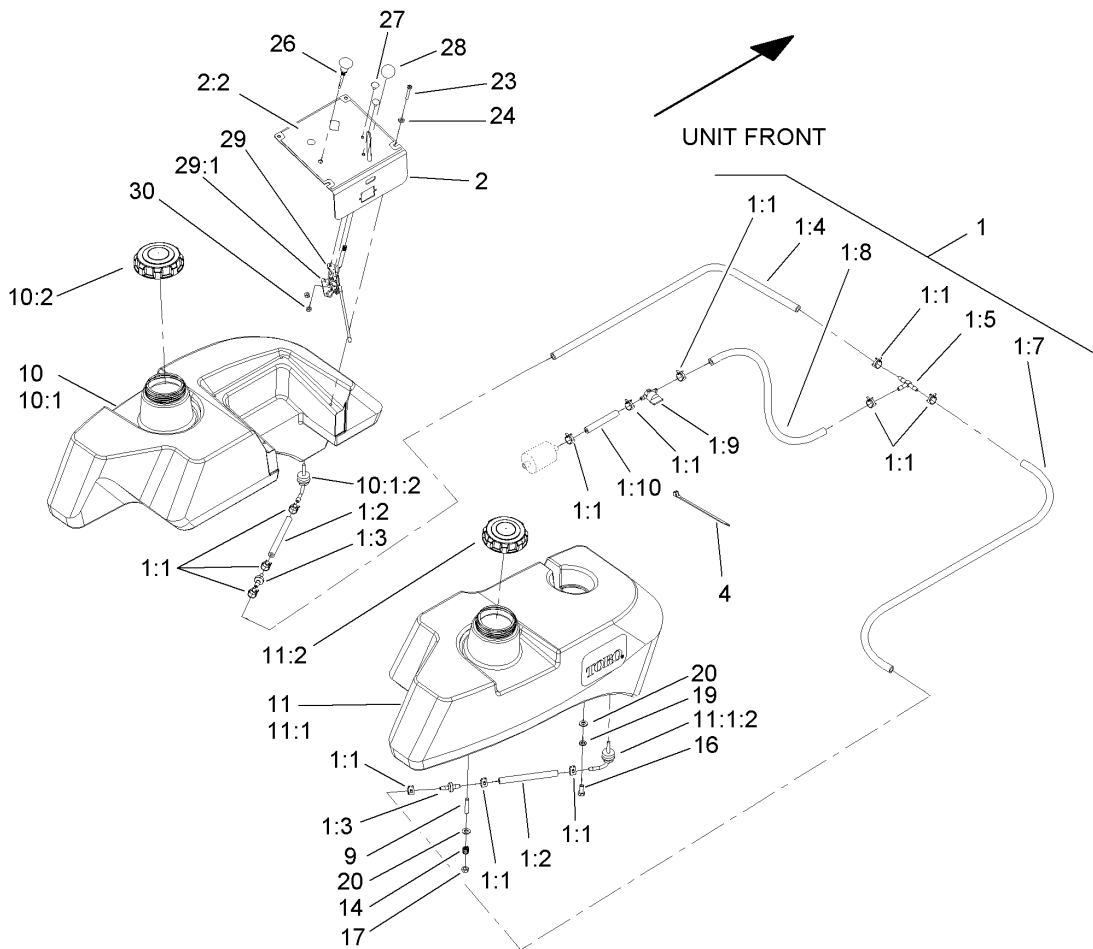
Ref	Part No.	Qty.	Description
2	323-9	4	Screw-HH
3	98-5975	4	Washer-Belleville
4	106-7022	1	Tube-Drain, Oil
5	109-7083-03	1	Anchor-Clutch
6	1-603610	2	Washer-Spring
7	1-633615-03	1	Guard-Clutch
9	110-0449	1	Clutch-Electromagnetic
10	1-633179	1	Spacer-Clutch
19	103-3270	1	Decal
20	103-7454-03	2	Strap-Guard
24	323-6	6	Screw-HH
25	3212-6	1	Screw-HH
32	3290-357	8	Nut-HHF, Whiz
42		1	Engine-Kawasaki, FH770D-As05
43	92-6877	1	Valve-Drain, Oil
44	103-1966	1	Adapter
47	322-5	1	Screw-HH
48	1-303334	1	Washer-Spring
53	103-0152	1	Keeper-Clutch
54	1-303335	1	Tie-Plastic
55	3296-29	1	Nut-Lock, NI



Guard Assembly

Ref	Part No.	Qty.	Description
1	112-8346-03	1	Guard-Muffer
2	112-8347-03	1	Bracket-Mount, Muffer
3	112-8348-03	1	Bracket-Support, Muffer
4	324-2	2	Screw-HH
5	3253-6	2	Washer-Lock
6	322-2	4	Screw-HH
7	3256-23	4	Washer-Flat
8	32128-20	4	Nut-HF
9	33104-025	2	Screw-HHF
10	33004-00	2	Nut-HF
11	105-6196	1	Shield ASM
11:1	1-633462	1	Decal-Important
11:2	103-1301	1	Drive Cover ASM
11:2:1	103-1308	1	Shield-Engine
11:2:2	103-1304-03	1	Plate-Cover, Drive
11:2:3	1-803035	5	Rivet-Pop
11:3	103-5881	1	Decal-Devices, Rotating
12	109-2365	2	Bumper-Rubber (W/Stud)
14	1-633795-03	1	Baffle-Engine Shield, LH
15	42-9850	2	Washer-Lock, Spring
22	321-4	10	Screw-HH
27	3296-42	4	Nut-Lock, NI
29	3256-2	4	Washer-Flat
33	32128-33	5	Nut-HF

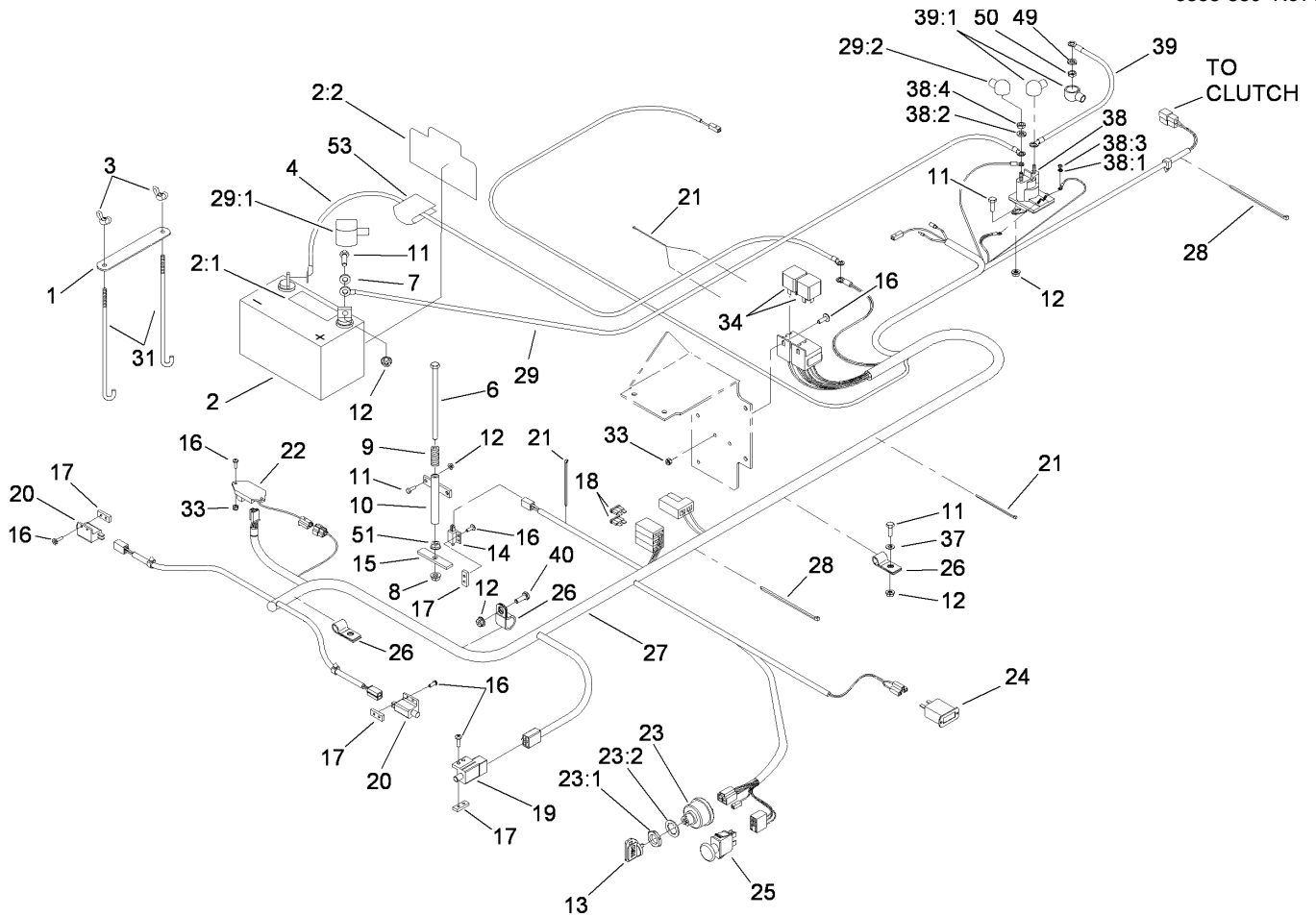
Ref	Part No.	Qty.	Description
34	1-633396	1	Clip-Loom
43	1-633794-03	1	Shield-RH
44	1-643339	1	Decal-Routing, Belt



Fuel System Assembly

Ref	Part No.	Qty.	Description
1	107-9285	1	Fuel Line ASM
1:1	1-303077	12	Clamp
1:2	109-0678	2	Hose-Fuel
1:3	99-5000	2	Valve-Check, Fuel
1:4	109-0305	1	Hose-Fuel
1:5	99-5005	1	Fitting-Tee, Barbed
1:7	109-0302	1	Hose-Fuel
1:8	109-0299	1	Hose-Fuel
1:9	1-603770	1	Valve-Fuel
1:10	110-5701	1	Hose-Fuel
2	110-5732	1	Control Panel ASM
2:2	110-5731	1	Decal-Panel, Control
4	1-303335	4	Tie-Plastic
9	1-633023	6	Stud
10	105-3644	1	LH Fuel Tank Kit ASM
⑩10:1		1	LH Fuel Tank ASM
10:1:2	103-2605	1	Fitting-Fuel, Bulkhead
10:2	109-0346	1	Cap-Fuel, Gas
11	105-3643	1	RH Fuel Tank Kit ASM
⑩11:1		1	RH Fuel Tank ASM
11:1:2	103-2605	1	Fitting-Fuel, Bulkhead
11:2	109-0346	1	Cap-Fuel, Gas
14	1-633349	6	Spring-Tank, Fuel
16	322-3	2	Screw-HH

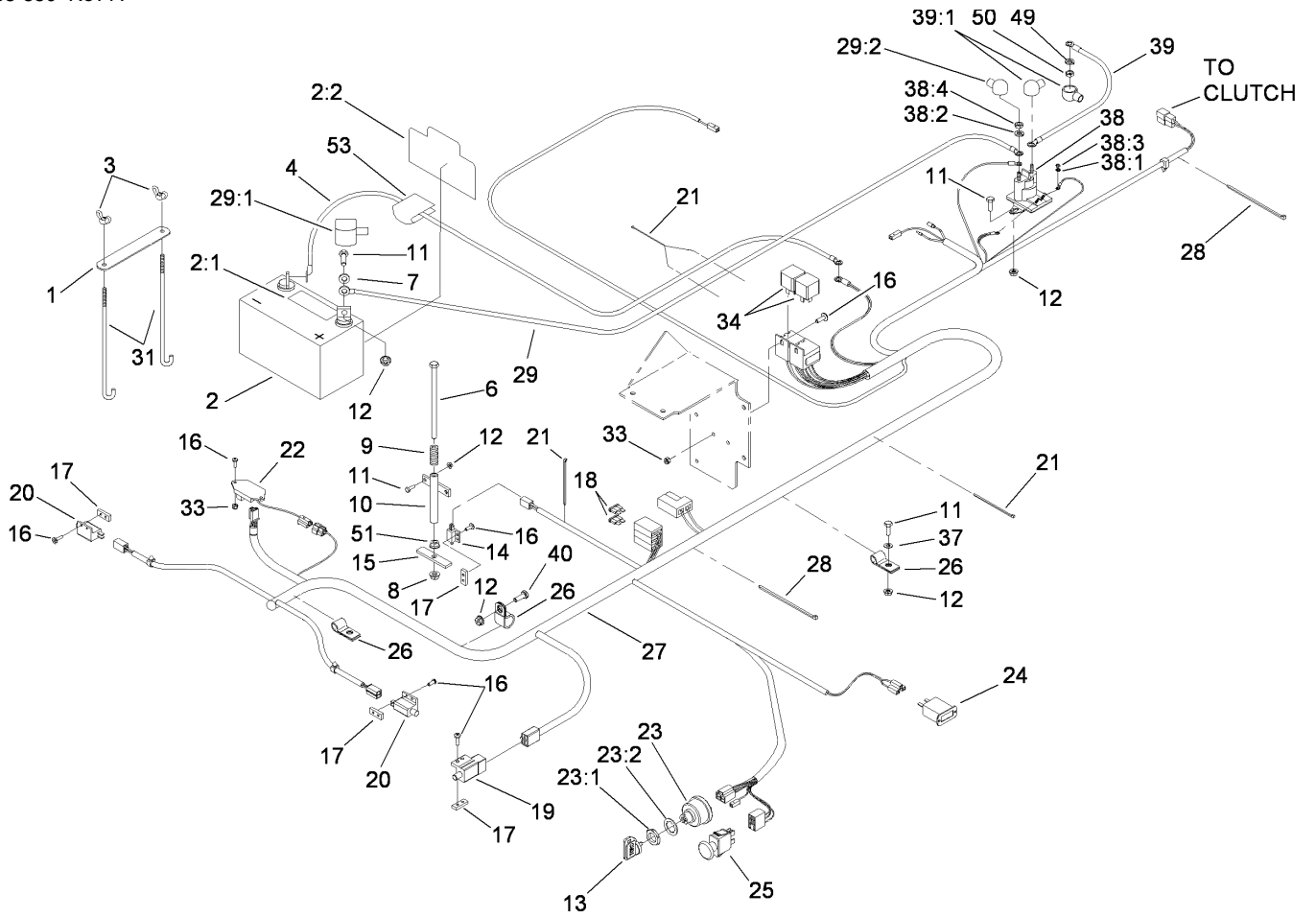
Ref	Part No.	Qty.	Description
17	3296-47	6	Nut-Lock, NI
19	1-805005	2	Washer-Lock
20	3256-23	8	Washer-Flat
23	109-2661	4	Screw-PPH
26	106-9962	1	Control-Choke, Push / Pull
27	1-807513	2	Bolt-CARR
28	1-513592	1	Knob-Ball
29	107-8073	1	Cable-Throttle
29:1	112-2334	1	Lever-Throttle
30	3296-2	2	Nut-Lock



Electrical Assembly

Ref	Part No.	Qty.	Description
1	107-9277-03	1	Strap-Holddown, Battery
2	105-1692	1	Battery
2:1	104-4163	1	Decal-Battery
2:2	104-4164	1	Decal-Battery
3	1-543792	2	Wingnut
4	1-633307	1	Wire-Ground
6	1-800282	1	Screw-HH
7	3256-2	2	Washer-Flat
8	3296-29	1	Nut-Lock, NI
9	1-523415	1	Spring-Switch, Seat
10	1-522424-03	1	Mount-Spring, Seat
11	321-4	8	Screw-HH
12	32128-33	7	Nut-HF
13	63-8360	2	Key-Ignition
14	1-513152	1	Switch-Closed, Normally
15	1-513180	1	Plate-Switch, Seat
16	3290-500	12	Screw-PPH
17	1-633181	4	Plate-Tapped
18	1-816001	2	Fuse-Blade Type, 20 Amp
19	1-633111	1	Switch
20	1-513051	2	Switch-Open, Normally
21	1-303287	5	Tie-Plastic
22	100-6186	1	Module-Delay, Seat
23	104-2541	1	Switch ASM

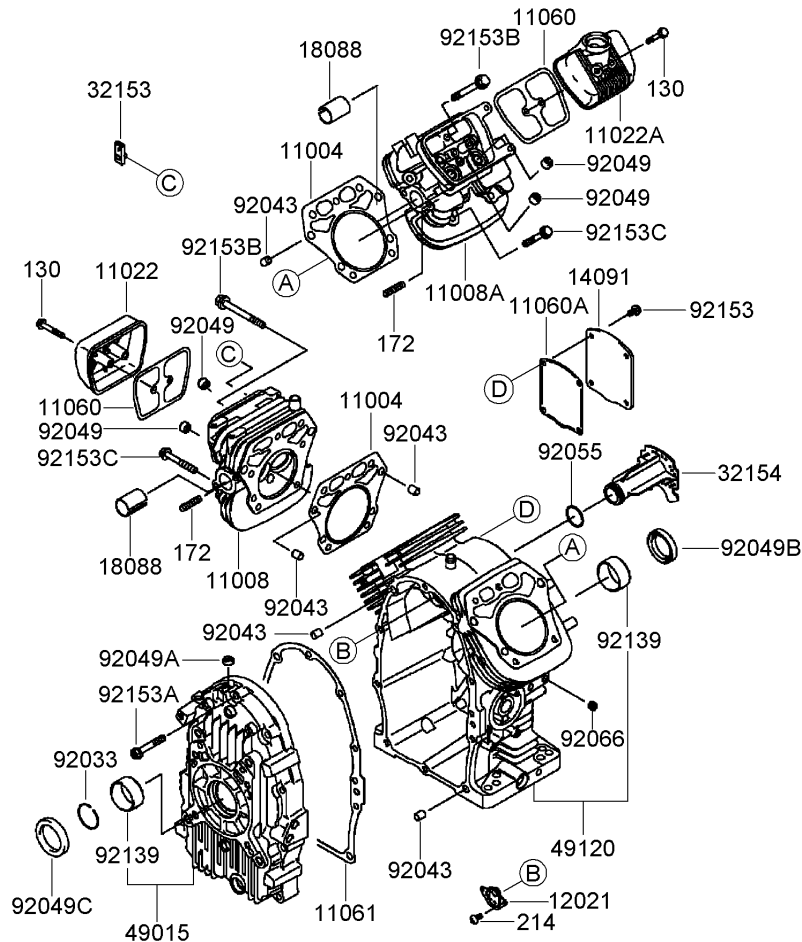
Ref	Part No.	Qty.	Description
23:1	218-461	1	Nut-HH
23:2	3254-5	1	Washer-Tooth
24	1-513374	1	Meter-Hour
25	103-5221	1	Switch-PTO
26	1-633396	3	Clip-Loom
27	106-7494	1	Harness-Wire
28	1-303335	2	Tie-Plastic
29	109-7630	1	Positive Battery Cable ASM
29:1	109-2407	1	Insulator-Battery
29:2	1-543393	1	Insulator-Solenoid
31	1-633651	2	Bolt-Holddown
33	3296-2	4	Nut-Lock
34	1-643275	2	Relay
37	3256-22	1	Washer-Flat
38	1-513075	1	Switch-Solenoid
38:1	3253-17	2	Washer-Lock
38:2	3253-4	2	Washer-Lock
38:3	3219-14	2	Nut-Hex
38:4	3220-2	2	Nut-Jam
39	109-7620	1	Positive Starter Cable ASM
39:1	1-543393	2	Insulator-Solenoid
40	321-2	1	Screw-HH
49	1-805004	1	Washer-Lock
50	3217-5	1	Nut-Hex



Electrical Assembly (continued)

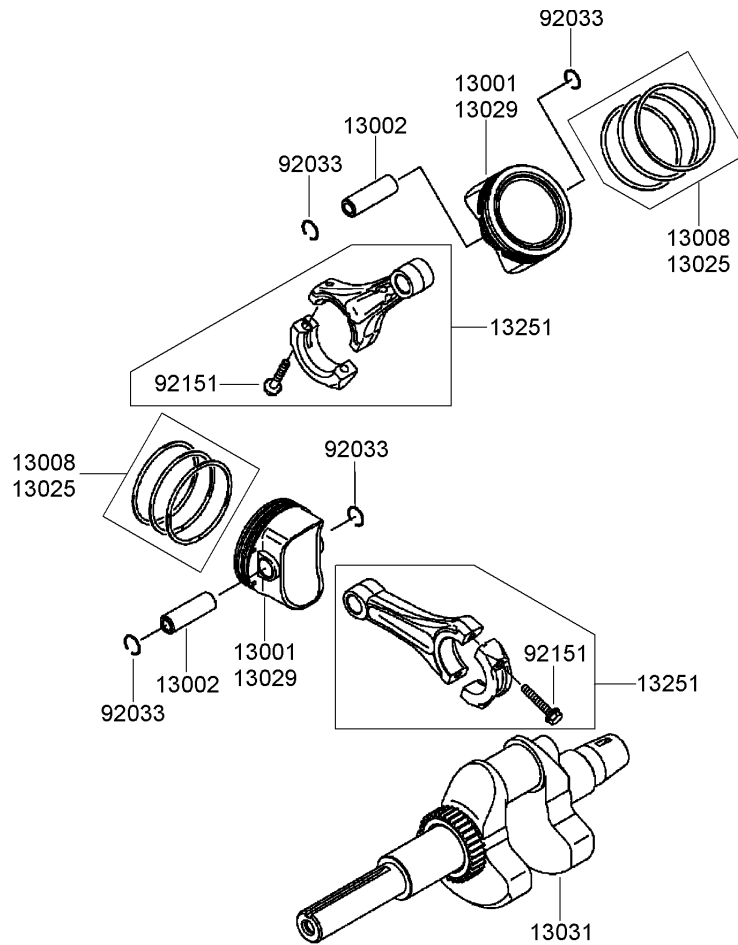
Ref	Part No.	Qty.	Description
51	3217-6	1	Nut-Hex
53	107-9309	1	Decal-Instructions, Charging

--	--	--	--



Cylinder and Crankcase Assembly Kawasaki FH770D-AS05

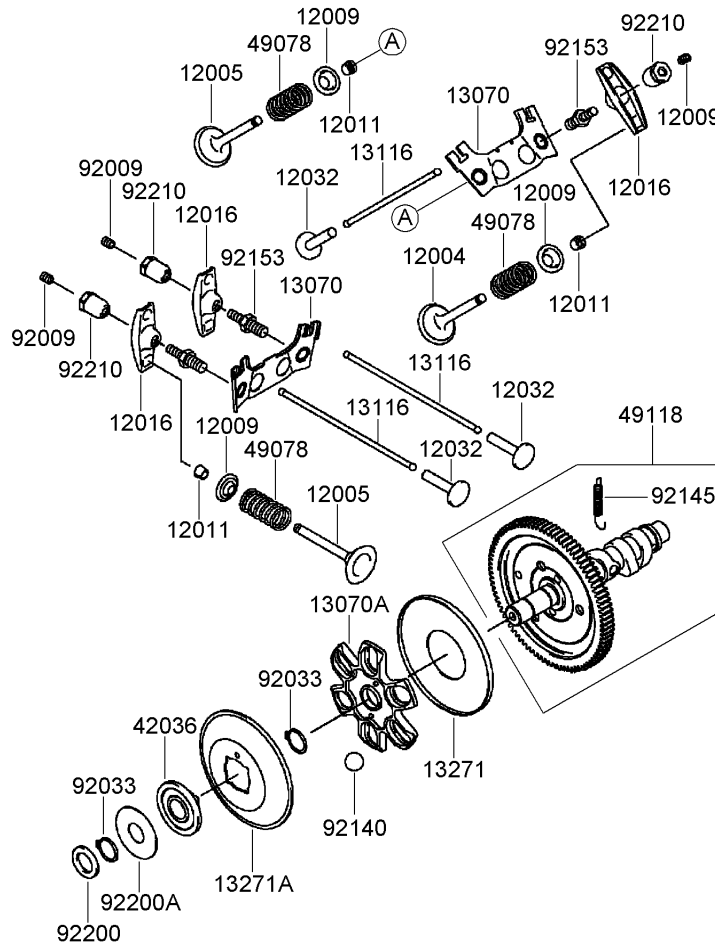
Ref	Part No.	Qty.	Description	Ref	Part No.	Qty.	Description
①11004	11004-7021	2	Gasket-Head	①92153	92153-7043	4	Bolt (6X12)
①11008	11008-7030	1	Head-Cylinder, No.1	①92153A	92153-7073	10	Bolt (8X50)
①11008A	11008-7031	1	Head-Cylinder, No.2	①92153B	92153-7074	2	Bolt (8X75)
①11022	11022-7002	1	Case-Rocker	①92153C	92153-7083	8	Bolt (8X55)
①11022A	11022-7004	1	Case-Rocker	①130	130B0640	4	Bolt-Flanged (6X40)
①11060	11060-7013	2	Gasket-Case, Rocker	①172	172G0818	4	Bolt-Stud (8X18)
①11060A	11060-7014	1	Gasket-Breather	①214	214B0408	2	Screw-Pan (4X8)
①11061	11061-7047	1	Gasket-Crankcase				
①12021	12021-7002	1	Reed Valve ASM				
①14091	14091-7004	1	Cover				
①18088	18088-7003	2	Pipe-Exhaust				
①32153	32153-7003	1	Pipe				
①32154	32154-7021	1	Pipe				
①49015	49015-6269	1	Cover-Crankcase				
①49120	49120-6151	1	Crankcase				
①92033	92033-7004	1	Ring-Snap				
①92043	92043-7001	6	Pin				
①92049	92049-7001	4	Seal-Oil, R V C2 (6X11X10.2)				
①92049A	92049-7005	1	Seal-Oil, S O (8X14X5 H S)				
①92049B	92049-7010	1	Seal-Oil, Sd (35X48X8 R Hs)				
①92049C	92049-7022	1	Seal-Oil, Sd-40-55-8-L-Hs				
①92055	92055-7022	1	O-Ring (25X30.2X2.62)				
①92066	92066-7002	1	Plug				
①92139	92139-7009	2	Bushing				



Piston and Crankshaft Assembly Kawasaki FH770D-AS05

Ref	Part No.	Qty.	Description
● 13001	13001-7020	2	Piston-Engine
● 13002	13002-2085	2	Pin-Piston
● 13008	13008-6064	2	Piston Ring Set
● 13025	13025-7005	1	Piston Ring Set (0.50)
● 13029	13029-7008	1	Piston-Engine (0.50)
● 13031	13031-7071	1	Crankshaft
● 13251	13251-7016	2	Connecting Rod ASM
● 92033	92033-7002	4	Ring-Snap
● 92151	92151-7017	4	Bolt (6X35)

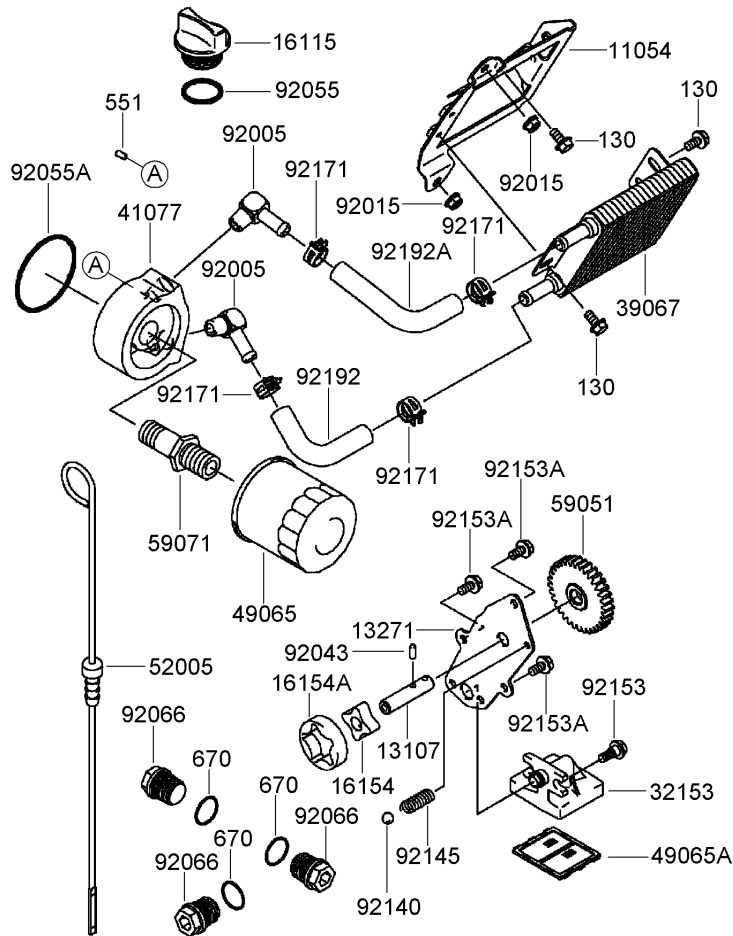
--	--	--	--



Valve and Camshaft Assembly Kawasaki FH770D-AS05

Ref	Part No.	Qty.	Description
①	12004	2	Valve-Intake
①	12005	2	Valve-Exhaust
①	12009	4	Retainer-Spring, Valve
①	12011	8	Collet
①	12016	4	Arm-Rocker
①	12032	4	Tappet
①	13070	2	Guide
①	13070A	1	Guide
①	13116	4	Rod-Push
①	13271	1	Plate
①	13271A	1	Plate-Governor
①	42036	1	Sleeve
①	49078	4	Spring-Valve, Engine (In)
①	49118	1	Camshaft
①	92009	4	Screw
①	92033	2	Ring-Snap
①	92140	6	Ball
①	92145	1	Spring
①	92153	4	Bolt
①	92200	1	Washer
①	92200A	1	Washer (16X42X0.91)
①	92210	4	Nut (M6)

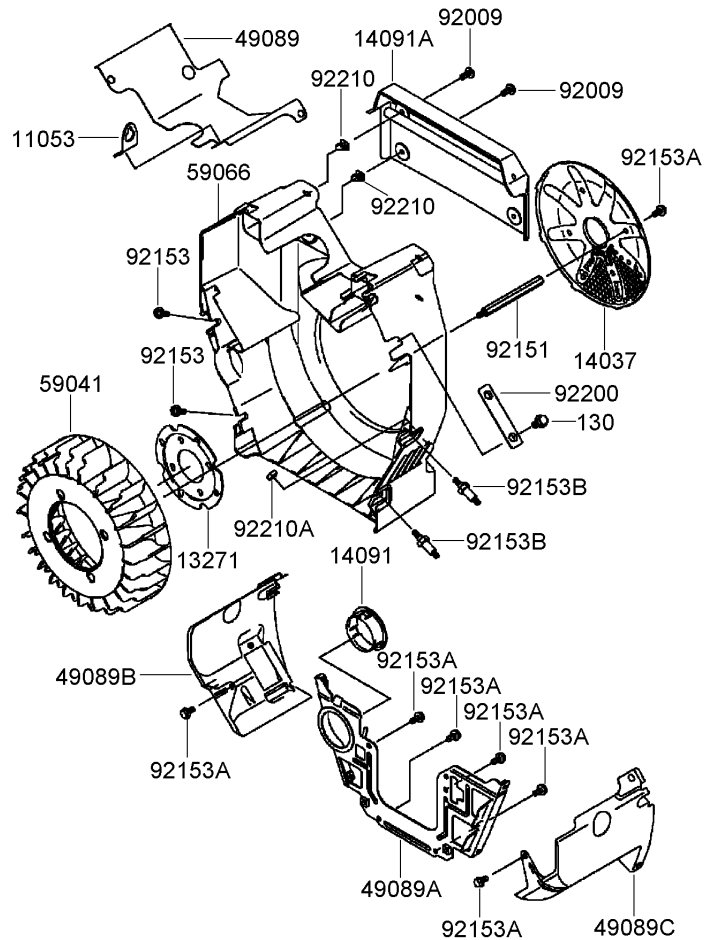
--	--	--	--



Lubrication Equipment Assembly Kawasaki FH770D-AS05

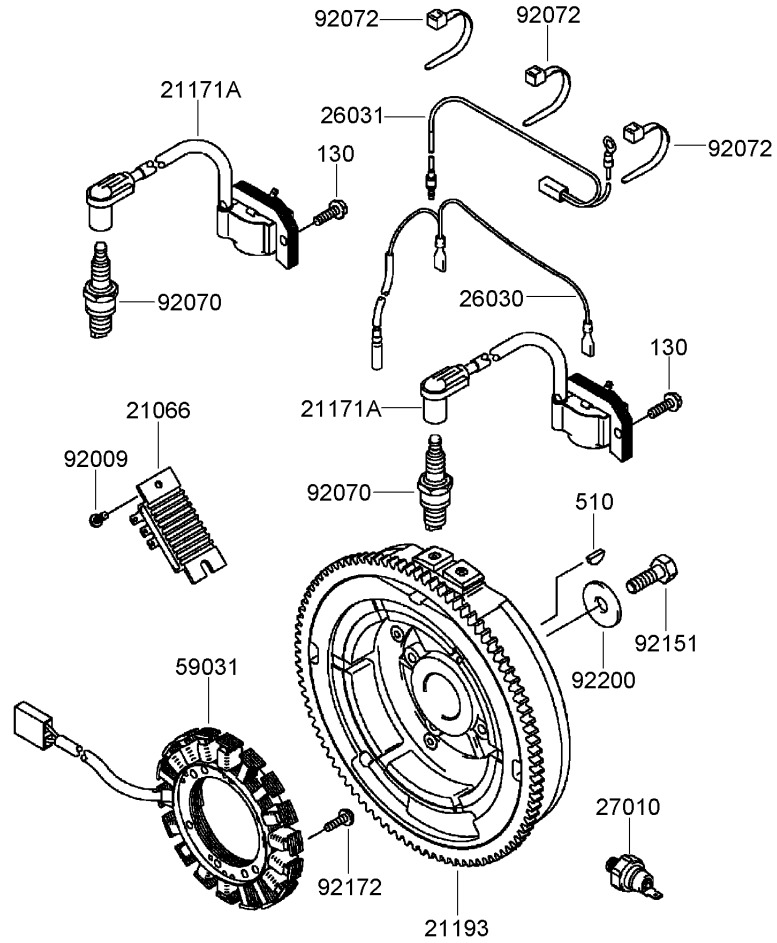
Ref	Part No.	Qty.	Description
●11054	11054-7001	1	Bracket
●13107	13107-7009	1	Shaft
●13271	13271-7014	1	Plate
●16115	16115-7001	1	Cap-Filter, Oil
●16154	16154-2053	1	Rotor-Pump (In)
●16154A	16154-2054	1	Rotor-Pump (Out)
●32153	32153-7002	1	Pipe
●39067	39067-7006	1	Cooler-Oil
●41077	41077-7003	1	Adapter
●49065	49065-2078	1	Filter-Oil
●49065A	49065-7005	1	Filter-Oil
●52005	52005-7003	1	Guage
●59051	59051-7011	1	Gear-Spur
●59071	59071-7009	1	Joint
●92005	92005-7003	2	Fitting
●92015	92015-1193	2	Nut
●92043	92043-7003	2	Pin
●92055	92055-7004	1	O-Ring
●92055A	92055-7006	1	O-Ring (58)
●92066	92066-7003	3	Plug
●92140	92140-7003	1	Ball
●92145	92145-7046	1	Spring
●92153	92153-7007	2	Bolt
●92153A	92153-7043	3	Bolt (6X12)

Ref	Part No.	Qty.	Description
●92171	92171-7020	4	Clamp
●92192	92192-7026	1	Tube
●92192A	92192-7027	1	Tube
●130	130B0612	5	Bolt-Flanged (6X12)
●551	551A0408	1	Pin-Dowel
●670	670D2016	3	O-Ring (16Mm)



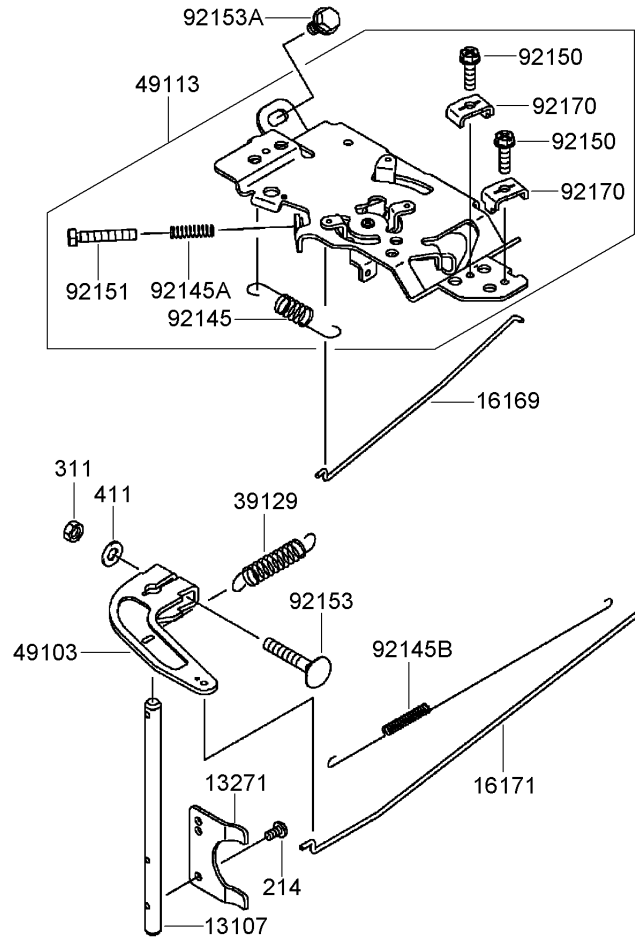
Cooling Equipment Assembly Kawasaki FH770D-AS05

Ref	Part No.	Qty.	Description
①11053	11053-7030	1	Bracket, Choke
①13271	13271-7015	1	Plate
①14037	14037-7014	1	Screen
①14091	14091-7002	1	Cover
①14091A	14091-7047	1	Cover
①49089	49089-7050	1	Shroud-Engine
①49089A	49089-7056	1	Shroud-Engine
①49089B	49089-7058	1	Shroud-Engine
①49089C	49089-7059	1	Shroud-Engine
①59041	59041-7004	1	Fan
①59066	59066-7034	1	Housing-Fan
①92009	92009-7009	4	Screw
①92151	92151-7018	4	Bolt
①92153	92153-7007	2	Bolt
①92153A	92153-7043	10	Bolt (6X12)
①92153B	92153-7071	2	Bolt
①92200	92200-7011	1	Washer
①92210	92210-7011	4	Nut
①92210A	92210-7022	1	Nut
①130	130B0816	2	Bolt-Flanged (8X16)



Electric Equipment Assembly Kawasaki FH770D-AS05

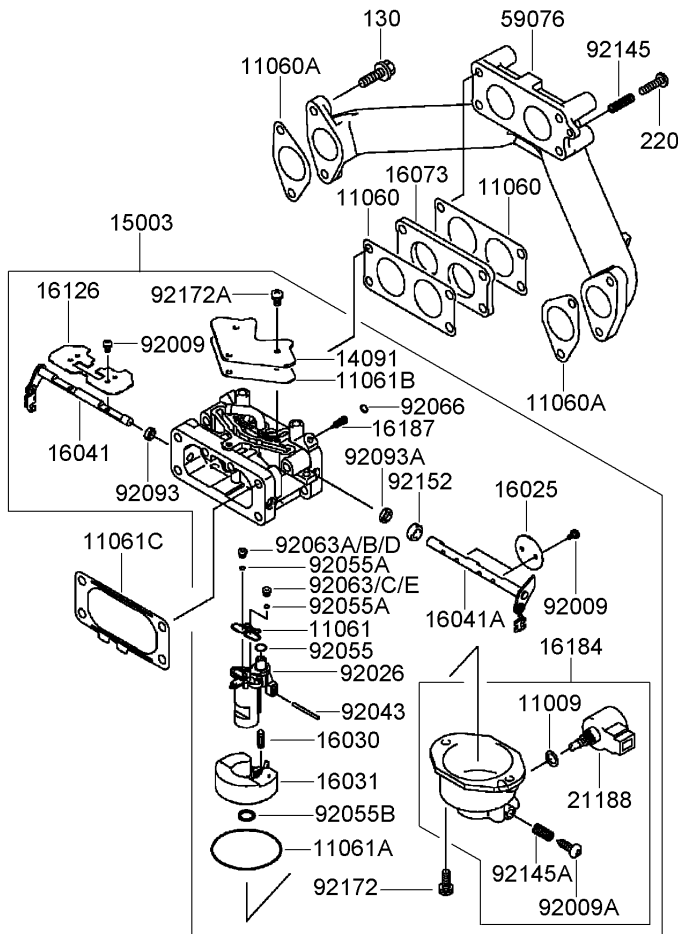
Ref	Part No.	Qty.	Description				
②	21066-7011	1	Regulator-Voltage				
②	21171A-7037	2	Ignition Coil ASM				
②	21193-7030	1	Flywheel ASM				
②	26030-7002	1	Harness				
②	26031-7012	1	Harness				
②	27010-7001	1	Switch				
②	59031-7009	1	Coil-Charging				
②	92009-2308	1	Screw				
②	92070-7004	2	Sparkplug, B P R 4 E S (N G K) Solid				
②	92072-7003	3	Band				
②	92151-2097	1	Bolt (12X30)				
②	92172-7018	4	Screw (5X20)				
②	92200-7002	1	Washer				
②	130-130B0620	4	Bolt-Flanged (6X20)				
②	510-510A5100	1	Key-Woodruff				



Control Equipment Assembly Kawasaki FH770D-AS05

Ref	Part No.	Qty.	Description
③13107	13107-7011	1	Shaft
③13271	13271-7032	1	Plate
③16169	16169-7008	1	Link-Choke
③16171	16171-7005	1	Link
③39129	39129-7012	1	Spring-Governor
③49103	49103-7004	1	Arm-Governor
③49113	49113-7040	1	Panel Control
③92145	92145-7004	1	Spring
③92145A	92145-7005	1	Spring
③92145B	92145-7014	1	Spring
③92150	92150-2182	2	Bolt (5X18)
③92151	92151-7014	1	Bolt (5X30)
③92153	92153-7033	1	Bolt (6X35)
③92153A	92153-7043	2	Bolt (6X12)
③92170	92170-7001	2	Clamp
③214	214B0408	2	Screw-Pan (4X8)
③311	311B0600	1	Nut-Hex (6Mm)
③411	411B0600	1	Washer-Plain (6Mm)

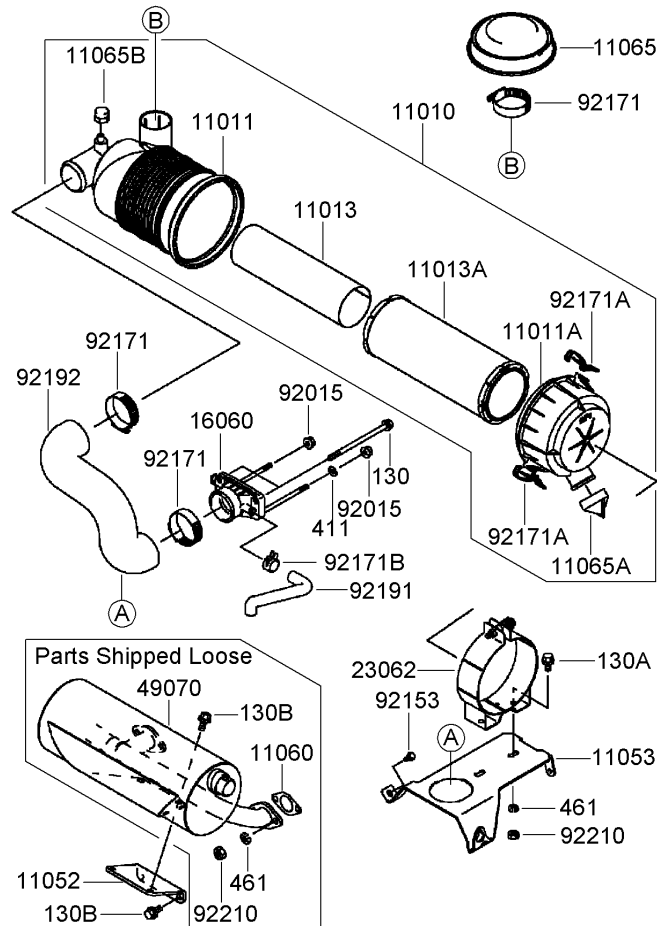
--	--	--	--



Carburetor Assembly Kawasaki FH770D-AS05

Ref	Part No.	Qty.	Description
①11009	11009-2056	1	Gasket
①11060	11060-7010	2	Gasket-Carburetor
①11060A	11060-7011	2	Gasket-Manifold
①11061	11061-7037	1	Gasket
①11061A	11061-7038	1	Gasket
①11061B	11061-7039	1	Gasket
①11061C	11061-7042	1	Gasket-Filter, Air
①14091	14091-7031	1	Cover
①15003	15003-7125	1	Carburetor ASM
①16025	16025-7010	2	Valve-Throttle
①16030	16030-7004	1	Valve-Float
①16031	16031-7003	1	Float
①16041	16041-7028	1	Shaft-Carburetor
①16041A	16041-7032	1	Shaft-Carburetor
①16073	16073-7002	1	Insulator
①16126	16126-7015	1	Valve
①16184	16184-7017	1	Chamber Float ASM
①16187	16187-7002	2	Needle-Jet
①21188	21188-7003	1	Solenoid
①59076	59076-7006	1	Manifold-Intake
①92009	92009-7003	6	Screw
①92009A	92009-7006	1	Screw-Drain
①92026	92026-7011	1	Spacer
①92043	92043-7014	1	Pin

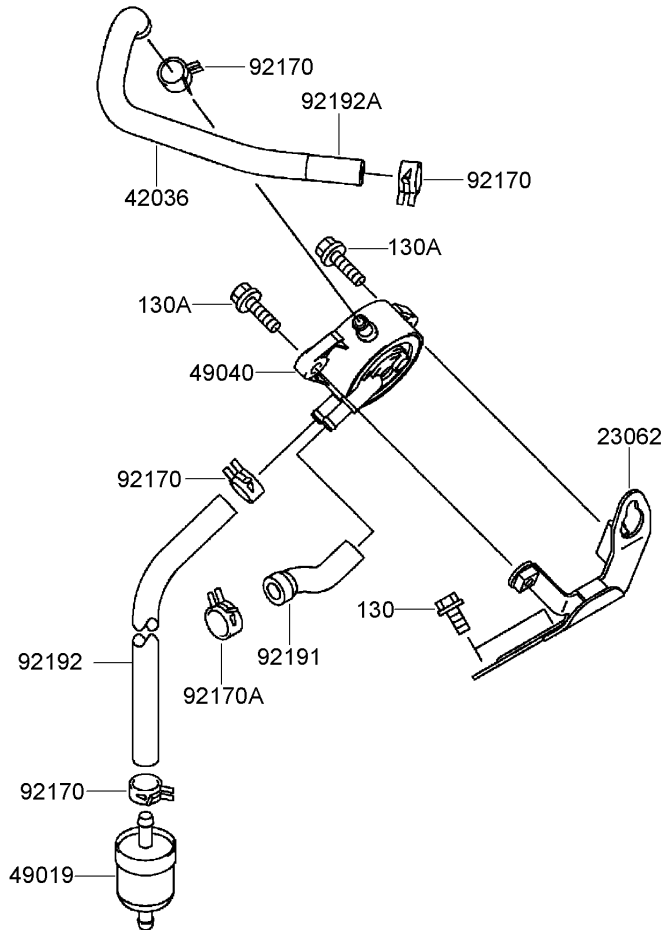
Ref	Part No.	Qty.	Description
①92055	92055-7012	1	O-Ring
①92055A	92055-7013	2	O-Ring
①92055B	92055-7016	1	O-Ring
①92063	92063-7086	1	Jet-Main, No.124
①92063A	92063-7087	1	Jet-Main, No.122
①92063B	92063-7092	1	Jet-Main, No.119
①92063C	92063-7093	1	Jet-Main, No.121
①92063D	92063-7094	1	Jet-Main, No.116
①92063E	92063-7095	1	Jet-Main, No.118
①92066	92066-7009	2	Plug, Extension
①92093	92093-7001	1	Seal (I D 5.9)
①92093A	92093-7002	1	Seal (I D 6.9)
①92145	92145-7005	1	Spring
①92145A	92145-7011	1	Spring
①92152	92152-7005	1	Collar
①92172	92172-7005	2	Screw
①92172A	92172-7006	3	Screw
①130	130B0620	4	Bolt-Flanged (6X20)
①220	220B0520	1	Screw-Pan (5X20)



Air Filter and Muffler Assembly Kawasaki FH770D-AS05

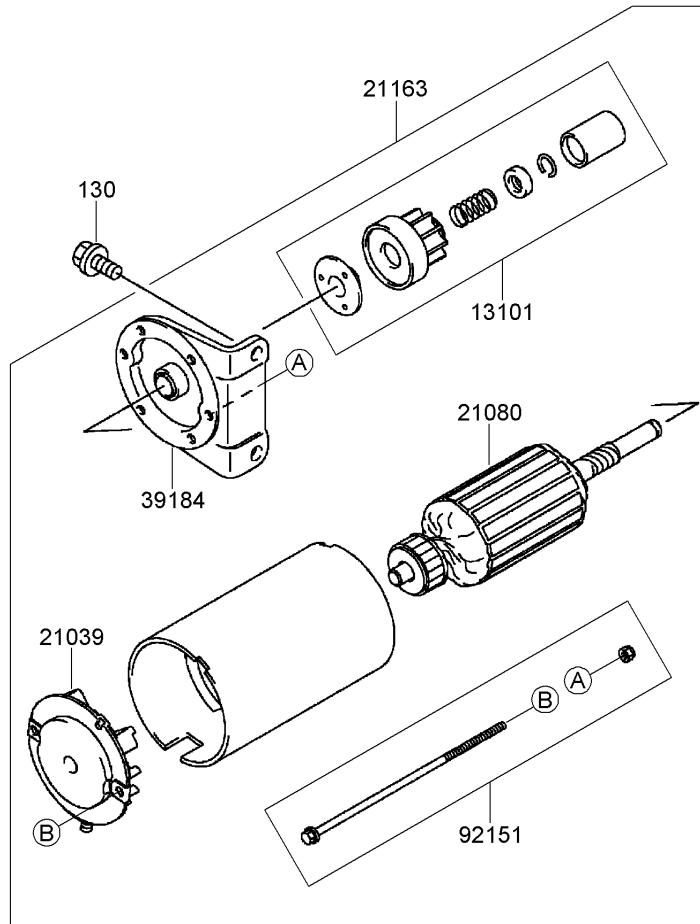
Ref	Part No.	Qty.	Description
●11010	11010-7011	1	Air Filter ASM
●11011	11011-7013	1	Case-Filter, Air
●11011A	11011-7014	1	Case-Filter, Air
●11013	11013-7019	1	Element-Filter, Air
●11013A	11013-7020	1	Element-Filter, Air
●11052	11052-7001	1	Bracket
●11053	11053-7002	1	Bracket
●11060	11060-7016	2	Gasket-Muffler
●11065	11065-7006	1	Cap
●11065A	11065-7008	1	Cap
●11065B	11065-7009	1	Cap
●16060	16060-7022	1	Pipe-Intake
●23062	23062-7009	1	Bracket
●49070	49070-7023	1	Muffler
●92015	92015-1193	2	Nut
●92153	92153-7043	2	Bolt (6X12)
●92171	92171-7007	3	Clamp
●92171A	92171-7009	2	Clamp
●92171B	92171-7013	1	Clamp
●92191	92191-7032	1	Tube, Breather
●92192	92192-7049	1	Tube
●92210	92210-7027	6	Nut (M8)
●130	130B06105	2	Bolt-Flanged (6X10.5)
●130A	130B0814	2	Bolt-Flanged (8X14)

Ref	Part No.	Qty.	Description
●130B	130B0816	4	Bolt-Flanged (8X16)
●411	411B0600	1	Washer-Plain (6Mm)
●461	461F0800	6	Washer-Spring (8Mm)



Fuel Tank and Valve Assembly Kawasaki FH770D-AS05

Ref	Part No.	Qty.	Description
③23062	23062-7004-9H	1	Bracket
③42036	42036-7016	1	Sleeve
③49019	49019-7001	1	Filter-Fuel
③49040	49040-7001	1	Pump-Fuel
③92170	92170-2088	4	Clamp
③92170A	92170-7003	1	Clamp
③92191	92191-7027	1	Tube
③92192	92192-7037	1	Tube (6.35X12.7X160)
③92192A	92192-7073	1	Tube (6.35X12.7X195)
③130	130B0616	2	Bolt-Flanged (6X16)
③130A	130B0620	2	Bolt-Flanged (6X20)



Starter Assembly Kawasaki FH770D-AS05

Ref	Part No.	Qty.	Description
● 13101	13101-7003	1	Gear ASM
● 21039	21039-7004	1	Brush
● 21080	21080-7001	1	Armature
● 21163	21163-7010	1	Starter-Electric
● 39184	39184-7004	1	Bracket ASM
● 92151	92151-7013	1	Bolt
● 130	130B0816	2	Bolt-Flanged (8X16)

--	--	--	--

Attachments and Accessories

For 74238CP - Z500 Z Master, With 60in 7-Gauge Side Discharge Mower

Product Name	Model/Part
Z Stand Kit	105-1622
1.25 Inch Spark Arrester Kit	105-1672
Blade-Mid Flow, 20.5 Inch	105-7715-03
Blade-Lo Flow, 20.5 Inch	105-7716-03
Blade-Hi Flow, 20.5 Inch	105-7718-03
Blade-Recycler, 20.5 Inch	105-7777-03
Blade-Atomic, 20.5 Inch	105-8777-03
60 Inch Recycler Kit	107-1611
Striping Kit	107-1630
Turbo Baffle Kit	107-1634
Suspension Kit for Standard Seat	107-1892
Light Kit	107-9880
6 Pack Blade, 20.5 Inch Hi-Flow	108-1114
6 Pack-Blade, 20.5 Inch Atomic	108-1115
6 Pack Blade, 20.5 Inch Mid-Flow	108-1123
6 Pack-Blade, 20.5 Inch Lo Flow	108-1128
Roller Striping Kit	108-2162
6 Pack-Blade, 20.5 Inch Recycler	110-0405
Cool Top ROPS Mounted Fan	110-1996
Bimini Sunshade	110-5726
Castor Wheel Assembly (Semi Pneumatic)	110-5746
Deck Lift Assist Kit	110-5761
Discharge Side Anti-Scalp Roller Kit	112-1792
Channel Reinforcement Kit	112-8674
DFS Vac Collection System	78513
Chute Gate Kit	78521
Deluxe Suspension Seat Kit	78530
Triple Bag Assembly	78534
Blower and Drive Kit	78538
Filter Minder Gauge	99-4664
Hitch Kit	99-8925

NOTES

