



## Z550 Z Master<sup>®</sup> With 52in TURBO FORCE<sup>®</sup> Side Discharge Mower

Model No. 74271 - 280000001 and up.

### Parts Catalog

---

#### Ordering Replacement Parts

To order replacement parts, please supply the part number, the quantity, and the description of each part desired.

#### Understanding Reference Numbers

Each Identified part in an illustration has a reference number. The reference number for a part also appears in the parts list, along with other information about the part.

This catalog uses two special reference number formats, one to indicate parts in a service assembly and another to indicate the quantity of a given part in an illustration.

#### Service Assembly Reference Numbers

Parts in service assemblies have reference numbers in the form a:b. The a represents the reference number of the entire service assembly and the b represents a sequential number unique to each part within the service assembly.

For example, a wheel assembly might be identified by reference number 6, the tire by 6:1, the valve by 6:2, and the wheel by 6:3. When you order the assembly identified by reference number 6, you receive all parts identified by reference numbers 6:1, 6:2, and 6:3. However, you may also order any part individually. Reference numbers of this type appear in illustrations and in part lists.

#### Reference Numbers Indicating Quantity

In an illustration, if a reference number indicates more than one part, the reference number has the form nX y. The n represents the quantity of the part, the X is the multiplication symbol, and the y represents the reference number.

For example, in an illustration, the reference number 2X 37 means that two of the parts identified by reference number 37 are indicated.

# Contents

Description	Page	Description	Page
Front Frame Assembly	3	Cylinder and Crankcase Assembly Kawasaki FH770D-AS05	30
Caster and Wheel Assembly	5	Piston and Crankshaft Assembly Kawasaki FH770D-AS05	31
Main Frame and Rear Wheel Assembly	6	Valve and Camshaft Assembly Kawasaki FH770D-AS05	32
Brake and Wheel Hub Assembly	7	Lubrication Equipment Assembly Kawasaki FH770D-AS05	33
Steering Control Assembly	8	Cooling Equipment Assembly Kawasaki FH770D-AS05	34
LH Motion Control Assembly No. 109-3906	9	Electric Equipment Assembly Kawasaki FH770D-AS05	35
RH Motion Control Assembly No. 109-3707	10	Control Equipment Assembly Kawasaki FH770D-AS05	36
Hydraulic Assembly	11	Carburetor Assembly Kawasaki FH770D-AS05	37
Pump Idler Assembly No. 103-5679	13	Air Filter and Muffler Assembly Kawasaki FH770D-AS05	38
Roll-Over Protection System Assembly	14	Fuel Tank and Valve Assembly Kawasaki FH770D-AS05	39
Seat and Bracket Assembly No. 110-0446	15	Starter Assembly Kawasaki FH770D-AS05	40
Roll-Over Protection System Assembly No. 108-1097	16	Power-Take-Off Assembly Kawasaki FH770D-AS05	41
Deck Connection Assembly	17	Label Assembly Kawasaki FH770D-AS05	42
Deck Assembly	18	Attachments and Accessories List	43
Spindle Assembly No. 108-7713	20		
Deck Decal Assembly No. 107-1623	21		
Rubber Deflector Assembly No. 108-2792	22		
Lever Assembly No. 107-1664	23		
Drive Idler Assembly	24		
Engine and Clutch Assembly	25		
Guard Assembly	26		
Fuel Tank Assembly	27		
Electrical Assembly	28		

## Part Description Abbreviations

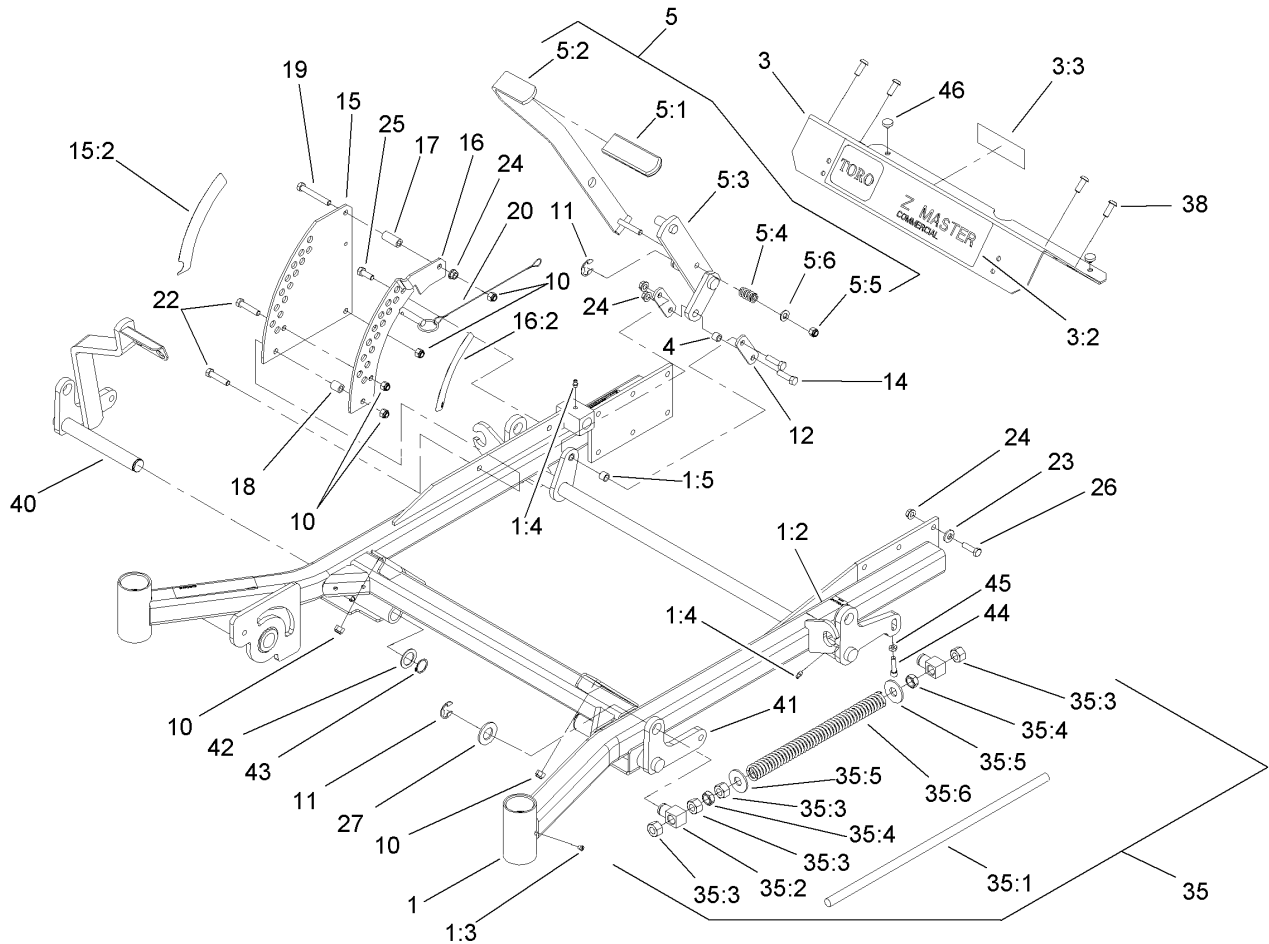
Part descriptions in this catalog may include the following abbreviations.

AR. .... as required	HYD. .... hydraulic
ASM. .... assembly	LH. .... left hand
BBC. .... blade brake clutch	NI. .... nylon insert
CARR. .... carriage	NPTF. .... national pipe thread fine
DEG. .... degrees	PFH. .... phillips flat head
EXT. .... external	PPH. .... phillips pan head
FH. .... flat head	PPHTF. .... phillips pan head thread forming
GA. .... gauge	PRH. .... phillips round head
HD. .... heavy-duty	PTH. .... phillips truss head
HF. .... hex flange	PTO. .... power-take-off
HH. .... hex head	RH. .... right hand
HHF. .... hex head flange	ROPS. .... roll-over protection system
HHFTF. .... hex head flange thread forming	SFH. .... slotted fillister head
HJ. .... hex jam	SHH. .... slotted hex head
HLH. .... hex lag head	SHWH. .... slotted hex washer head
HOC. .... height-of-cut	SPH. .... slotted pan head
HSBH. .... hex socket button head	SQH. .... square head
HSFH. .... hex socket flat head	SRH. .... slotted round head
HSH. .... hex socket head	STD. .... standard
HWH. .... hex washer head	TAP. .... self tapping
HWHTF. .... hex washer head thread forming	TTH. .... torx truss head

## Footnotes

- ❶ Not illustrated
- ❷ Obtain from your local Kawasaki dealer

- ❸ Not serviced separately



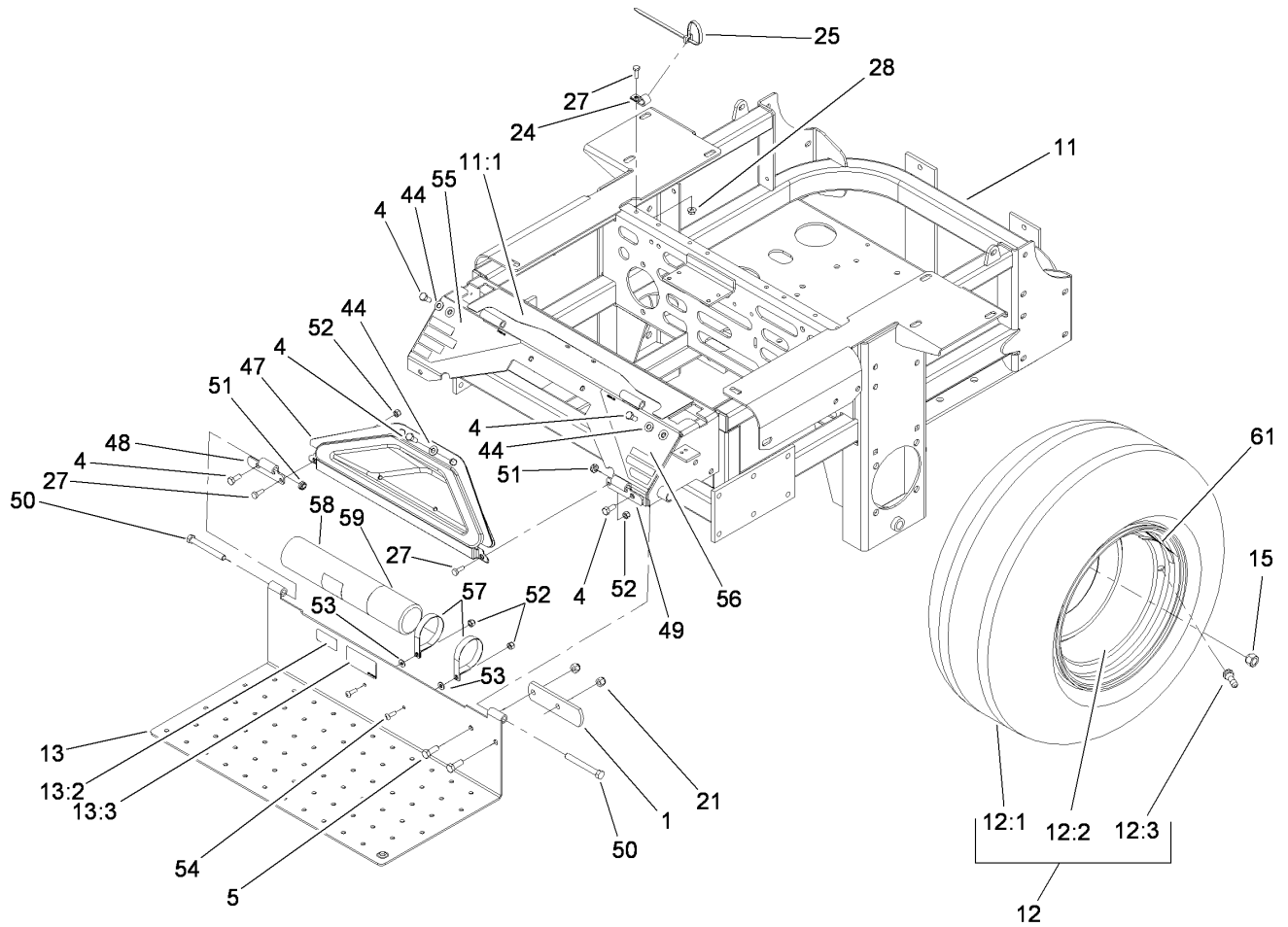
## Front Frame Assembly

Ref	Part No.	Qty.	Description
1	106-8978	1	Frame ASM
1:2	107-1857	1	Decal-Brake, Parking
1:3	1-811010	2	Plug
1:4	302-19	5	Fitting-Grease
1:5	103-1918	1	Bushing
3	106-9981	1	Footrest
3:2	106-7451	1	Decal
3:3	107-2112	1	Decal-Warning
4	103-1918	1	Bushing
5	110-5860	1	Deck Lift Handle ASM
5:1	1-633295	1	Grip-Lever, Lift
5:2	103-2083	1	Lever-Lift
5:3	103-2064	1	Arm-Lift, Deck
5:4	1-633325	1	Spring-Compression
5:5	3296-39	1	Nut-Lock, NI
5:6	3256-24	1	Washer-Flat
10	3296-39	8	Nut-Lock, NI
11	32151-103	5	Ring-Snap
12	1-633068	2	Arm-Lift, Deck
14	323-29	2	Screw-HH
15	110-0833	1	Plate-Deck Lift, Outer
15:2	107-1860	1	Decal-Height, Deck
16	110-0834	1	Plate-Deck Lift, Inner
16:2	107-1861	1	Decal-Height, Deck

Ref	Part No.	Qty.	Description
17	1-633082	1	Bushing-Lever, Lift
18	1-633080	1	Bushing-Lever, Lift
19	323-13	1	Screw-HH
20	106-9951	1	Hitch Pin ASM
22	323-9	2	Screw-HH
23	98-5975	12	Washer-Belleville
24	3290-357	15	Nut-HHF, Whiz
25	323-6	1	Screw-HH
26	323-7	12	Screw-HH
27	3256-29	4	Washer-Flat
35		2	Front Frame Spring ASM
35:1	1-633096	1	Rod-Lift, Deck
35:2	1-633441	2	Swivel-Deck Mount, Rear
35:3	3217-11	4	Nut-Hex
35:4	3218-6	2	Nut-Jam
35:5	3256-7	2	Washer-Flat
35:6	1-633064	1	Spring-Support, Deck
38	3274-94	4	Screw-HSBH
40	108-7786-01	1	RH Front Deck Lift ASM
41	106-8984-01	1	LH Deck Lift ASM
42	1-523157	2	Washer-Spacer
43	32151-29	2	Ring-Retaining
44	3274-18	2	Screw-HSH
45	3218-2	2	Nut-Jam



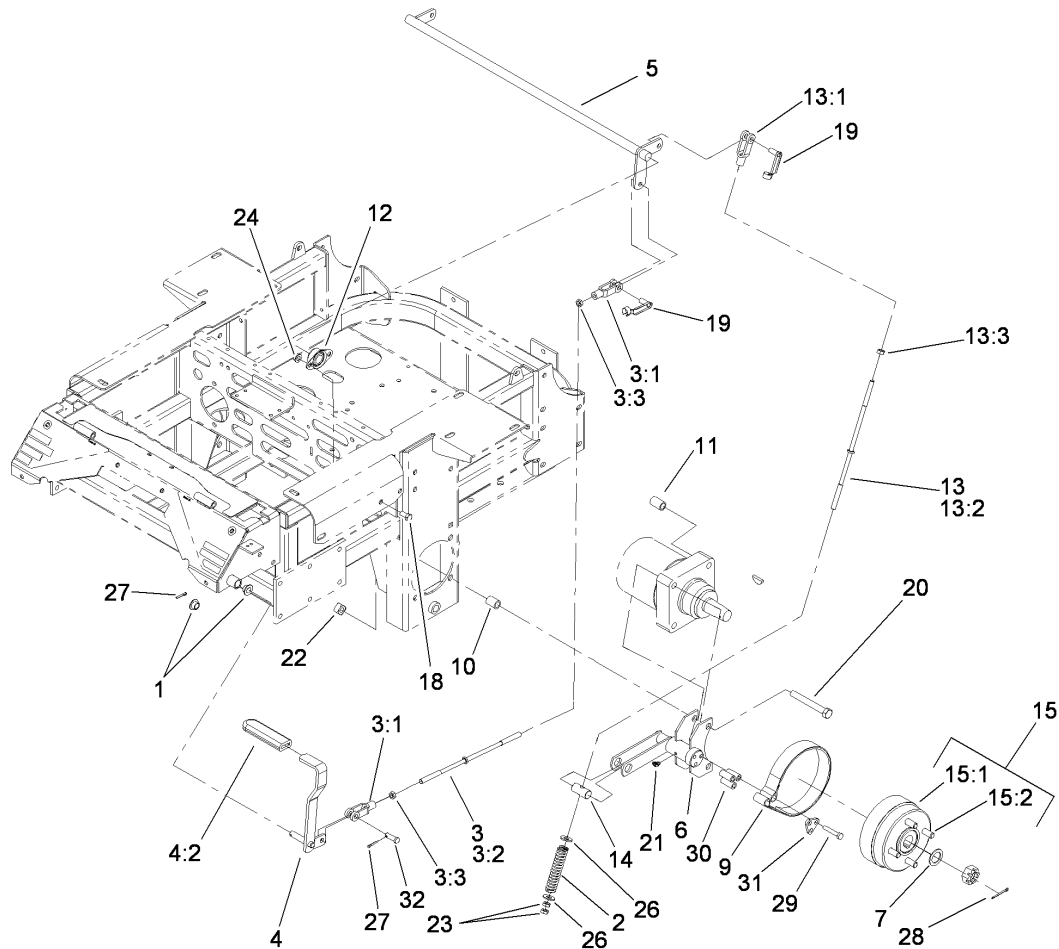




## Main Frame and Rear Wheel Assembly

Ref	Part No.	Qty.	Description
1	1-633964-03	1	Stop-Brake, Park
4	322-43	6	Screw-HH
5	323-6	2	Screw-HH
11	114-1509	1	Frame W/Decals ASM
11:1	107-8076	1	Decal-Console, Top
12	1-653010	2	Wheel And Tire ASM
12:1	1-653160	1	Tire
12:2	1-653158	1	Wheel
12:3	232-27	1	Stem-Valve
13	107-1858	1	Floorpan
13:2	98-4387	1	Decal-Protection, Ear
13:3	107-1864	1	Decal-Location, Manual
15	242-50	8	Nut-Lug
21	3296-39	2	Nut-Lock, NI
24	1-513762	1	Clip-Loom
25	1-303335	2	Tie-Plastic
27	321-4	3	Screw-HH
28	32128-33	1	Nut-HF
44	3256-70	6	Washer-Flat
47	106-7498	1	Pocket
48	106-7488-03	1	Hinge-Floorpan, LH
49	106-7489-03	1	Hinge-Floorpan, RH
50	323-20	2	Screw-HH
51	3296-59	2	Nut-Lock, NI

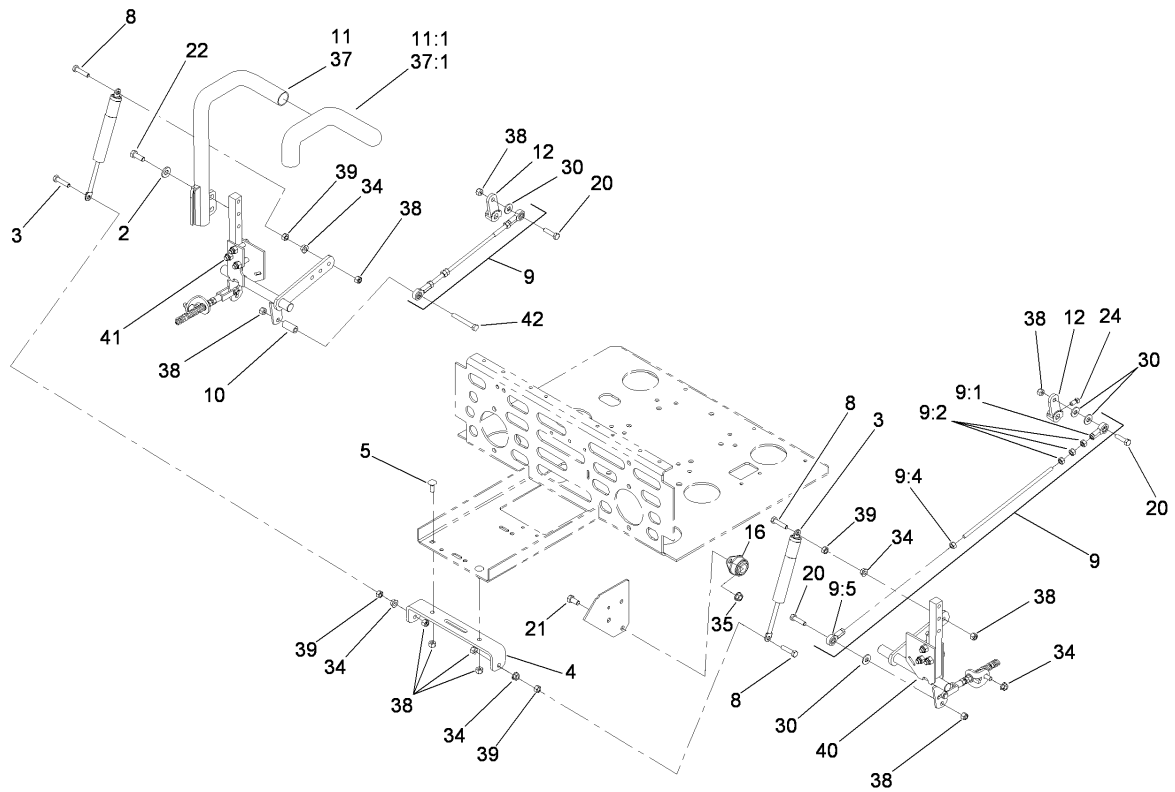
Ref	Part No.	Qty.	Description
52	3296-42	4	Nut-Lock, NI
53	3256-63	2	Washer-Flat
54	3258-166	2	Screw-PRH
55	106-9989	1	Decal-Warning
56	106-7492	1	Decal-Danger
57	107-1865	2	R-Clamp
58	104-7050	1	Housing-Manual
59	104-7048	1	Cap-Housing
61	109-7949	2	Decal-Wheel Hub, Slotted Nut



## Brake and Wheel Hub Assembly

Ref	Part No.	Qty.	Description
1	1-513140	2	Bearing-Control
2	1-633454	2	Spring-Brake
3	103-4332	1	Brake Rod And Yoke ASM
3:1	1-633131	2	Yoke-Linkage, Brake
3:2	1-633477	1	Rod-Brake
3:3	3219-3	2	Nut-Hex
4	1-634500	1	Brake Lever ASM
4:2	1-633268	1	Grip-Lever, Brake
5	1-632217-03	1	Shaft-Brake
6	103-0352-03	2	Bracket-Brake
7	1-523157	2	Washer-Spacer
9	103-0355	2	Band-Brake
10	1-633380	4	Spacer-Wheel, Short
11	1-633382	4	Spacer-Wheel, Long
12	1-633102	2	Bearing-Flange, Side
13	103-4333	2	Brake Rod And Yoke ASM
13:1	1-633131	1	Yoke-Linkage, Brake
13:2	1-633477	1	Rod-Brake
13:3	3219-3	1	Nut-Hex
14	1-633144	2	Pin-Trunion
15	103-0590	2	Hub And Wheel ASM
15:1	103-0589	1	Wheel Hub ASM
15:2	1-633926	4	Stud-Wheel
18	323-4	4	Screw-HH

Ref	Part No.	Qty.	Description
19	103-2399	3	Pin-Spring, Clevis
20	325-17	8	Screw-HH
21	1481	2	Fitting-Grease
22	109-5618	8	Nut, Square Special
23	3219-3	4	Nut-Hex
24	3290-357	4	Nut-HHF, Whiz
26	3256-4	4	Washer-Flat
27	3272-10	2	Pin-Cotter
28	1-806800	2	Pin-Cotter
29	322-9	6	Screw-HH
30	103-0384	6	Spacer
31	103-0374	2	Retainer-Band, Brake
32	1-808285	1	Pin-Clevis



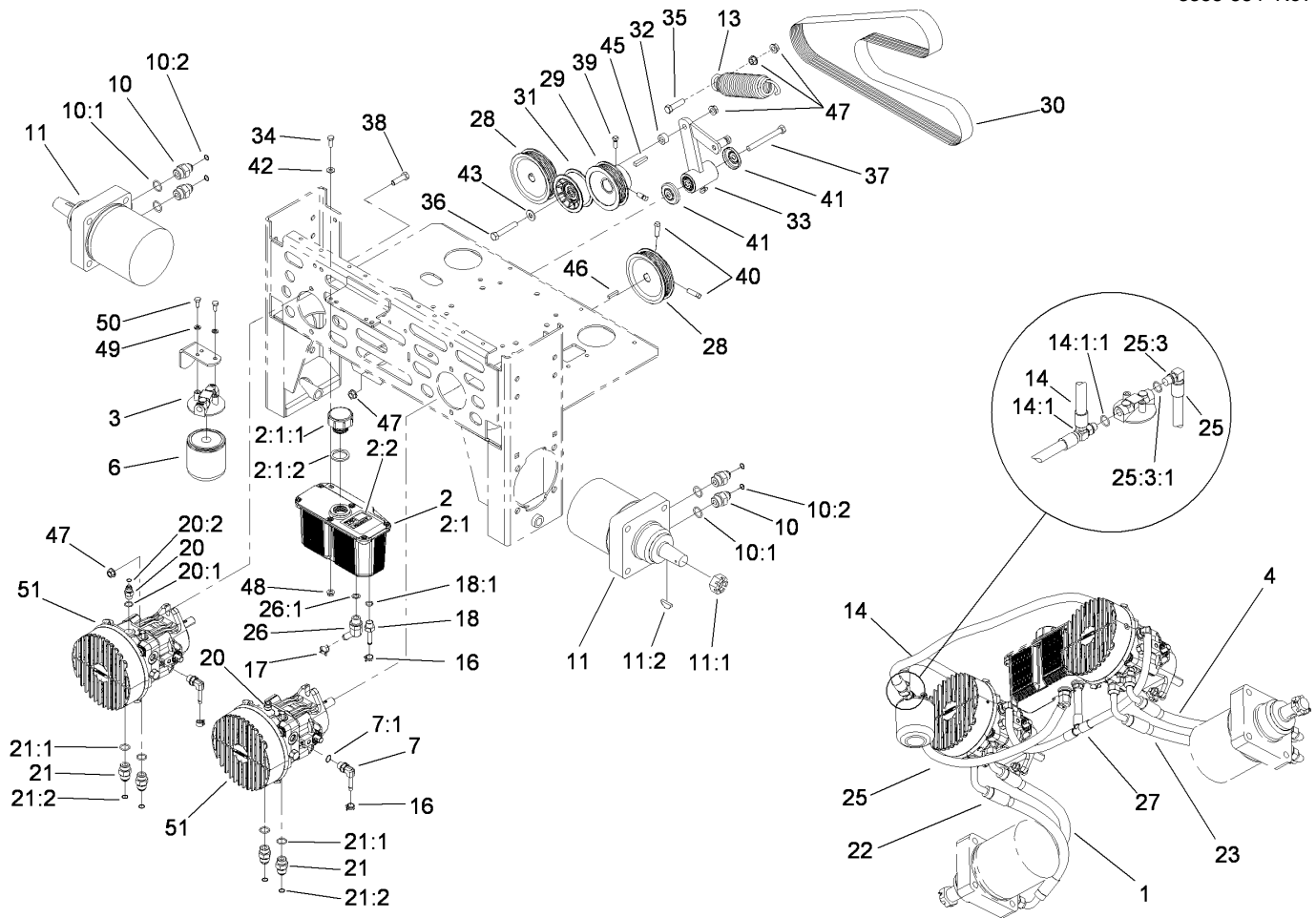
## Steering Control Assembly

Ref	Part No.	Qty.	Description
2	98-5975	4	Washer-Belleville
3	109-2339	2	Damper-Control, Motion
4	109-6058-03	1	Bracket-Mount, Damper
5	3230-16	2	Screw-CARR
8	1-403180	4	Screw-HH
9	103-4331	2	Tracking Rod ASM
9:1	1-543017	1	Balljoint-RH
9:2	3219-2	3	Nut-Hex
9:4	1-804524	1	Nut
9:5	1-633152	1	Balljoint-LH
10	103-0384	1	Spacer
11	108-7238	1	LH Lever ASM
11:1	106-9987	1	Grip-Control, Motion
12	1-632208	2	Arm-Control, Pump
16	1-633102	4	Bearing-Flange, Side
20	322-6	3	Screw-HH
21	323-4	8	Screw-HH
22	323-6	4	Screw-HH
24	1-803022	2	Screw-Set
30	3256-3	4	Washer-Flat
34	32128-20	6	Nut-HF
35	3290-357	8	Nut-HHF, Whiz
37	108-7237	1	RH Lever ASM
37:1	106-9987	1	Grip-Control, Motion

Ref	Part No.	Qty.	Description
38	3296-29	10	Nut-Lock, NI
39	3217-6	4	Nut-Hex
40	109-3906	1	LH Motion Control ASM
41	109-3907	1	RH Motion Control ASM
42	322-12	1	Screw-HH







## Hydraulic Assembly

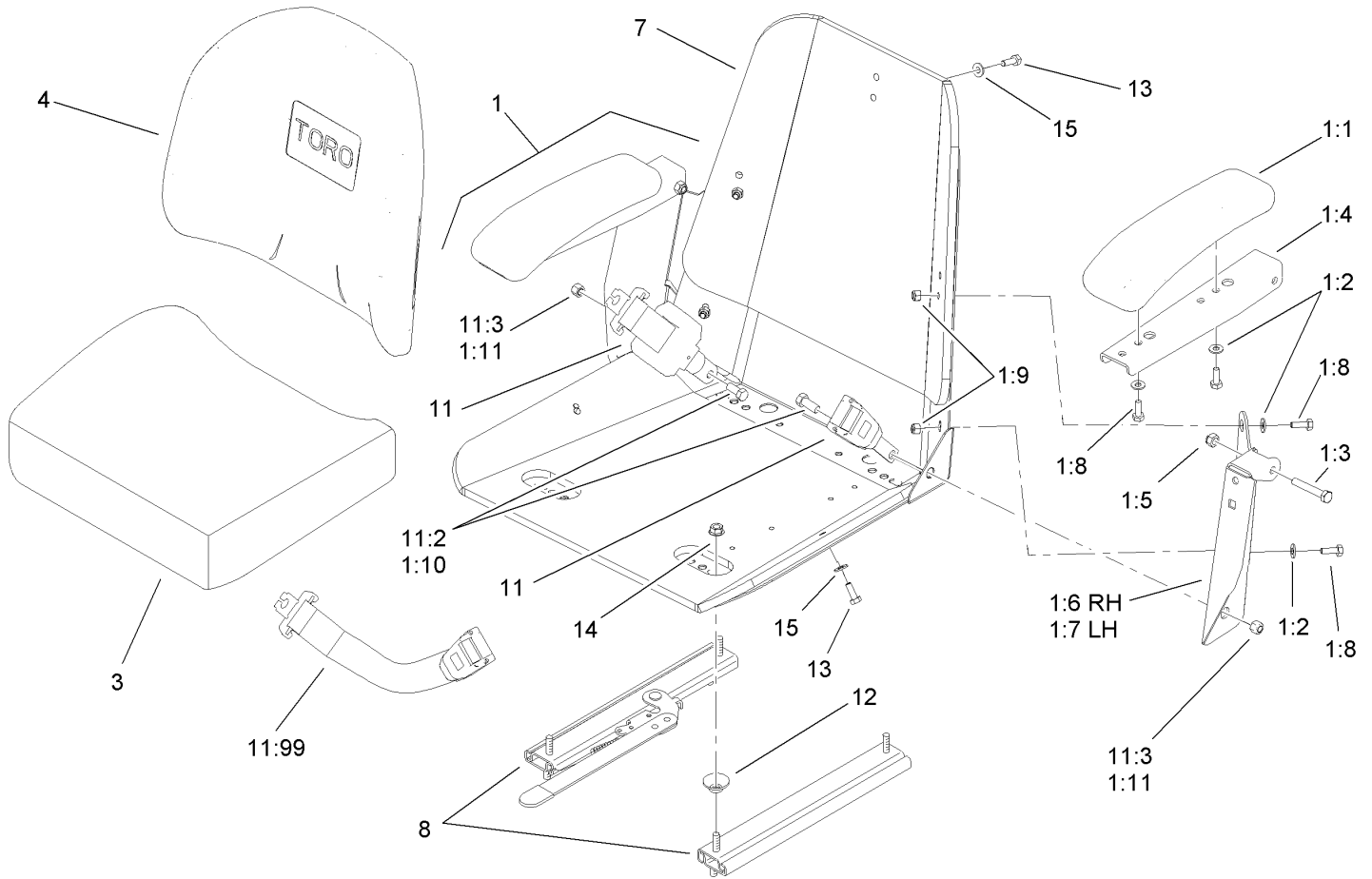
Ref	Part No.	Qty.	Description
1	103-3736	1	HYD Hose ASM
2	103-1947	1	HYD Reservoir ASM
②2:1		1	Reservoir-HYD
2:1:1	103-1948	1	Cap-Reservoir, HYD
2:1:2	103-1949	1	Gasket-Cap
2:2	1-523552	1	Decal-Tank, HYD
3	104-7836	1	Head-Filter
4	103-3733	1	HYD Hose ASM
6	1-633750	1	Filter-Oil, HYD
6	1-633752	1	Filter-HYD, Winter
7	103-1799	2	Elbow-90 DEG
7:1	237-42	1	O-Ring
10	1-603991	4	Fitting-Straight
10:1	237-80	1	O-Ring
10:2	1-603992	1	O-Ring
11	1-523328	2	Motor-Wheel
11:1	1-809036	1	Nut-HH
11:2	3257-42	1	Key-Woodruff
①11:99	103-2748	1	Drive Link Kit
①11:99	103-6994	1	Seal Kit
13	103-3330	1	Spring-Extension
14	109-6273	1	HYD Hose ASM
②14:1		1	Adapter-Run, Tee
14:1:1	237-42	1	O-Ring

Ref	Part No.	Qty.	Description
16	103-1716	3	Clamp-Hose
17	103-1988	1	Clamp-Hose
18	103-1801	1	Adapter-Straight
18:1	237-42	1	O-Ring
20	103-2156	2	Fitting-Straight
20:1	1-603921	1	O-Ring
20:2	103-1020	1	O-Ring
21	1-603990	4	Fitting-Straight
21:1	1-603920	1	O-Ring
21:2	1-603992	1	O-Ring
22	103-3737	1	HYD Hose ASM
23	103-3735	1	HYD Hose ASM
25	109-7689	1	HYD Hose ASM
②25:3		1	Fitting-Barb
25:3:1	237-42	1	O-Ring
26	103-1807	1	Elbow-45 DEG
26:1	237-42	1	O-Ring
27	103-1806	1	HYD Hose ASM
28	109-6046	2	Sheave
29	109-7738	1	Sheave
30	114-1512	1	Belt
31	109-4076	1	Pulley-Flat Idler
32	1-603050	1	Spacer
33	103-5679	1	Pump Idler ASM



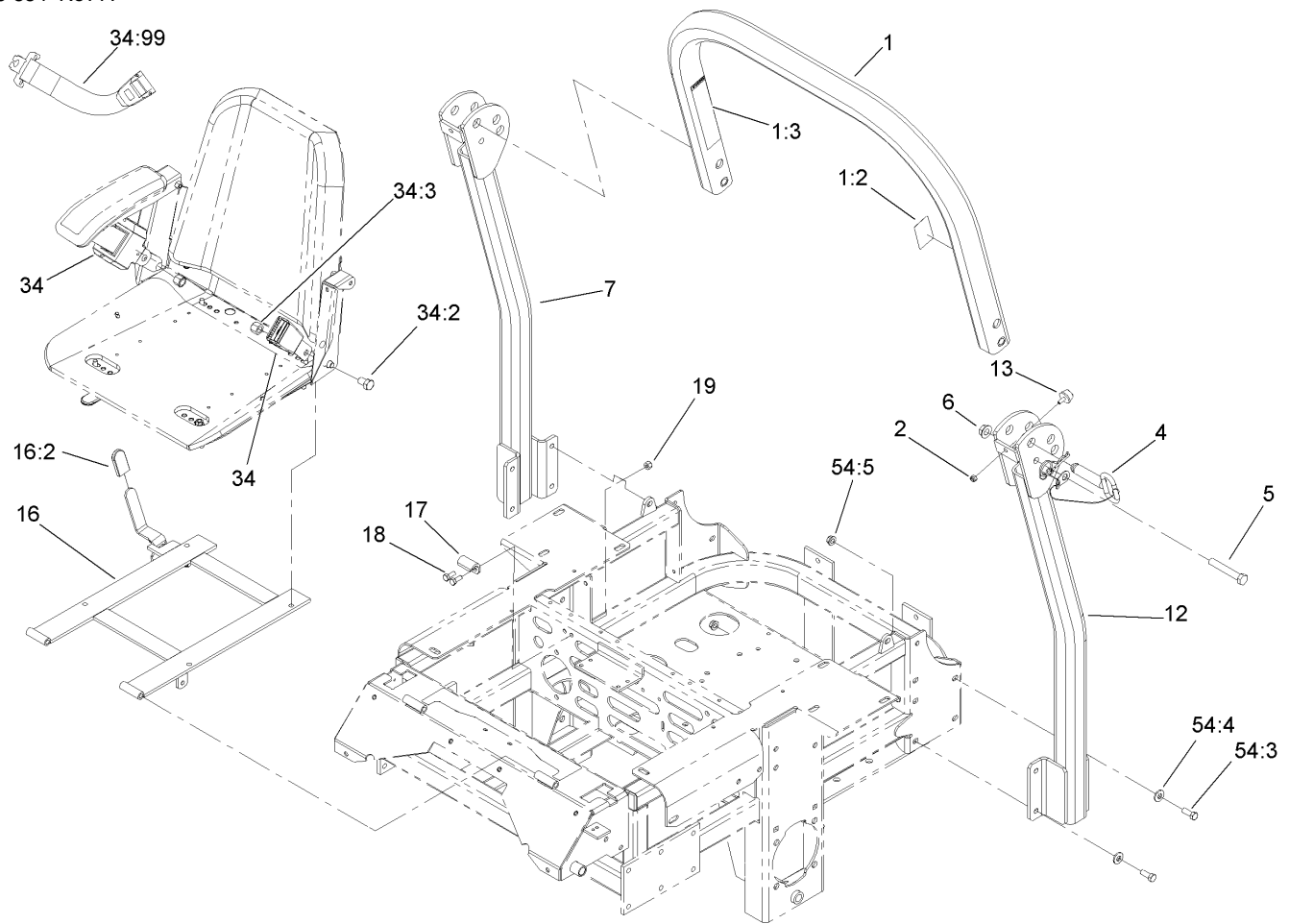






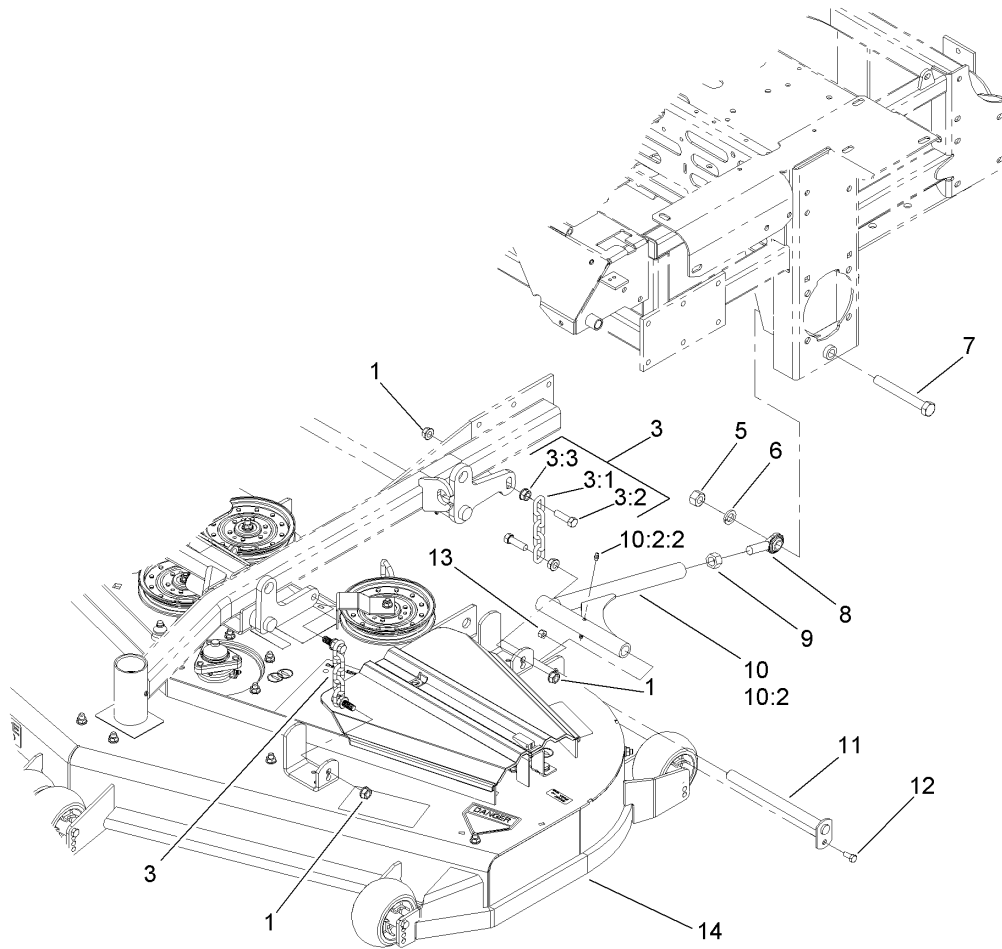
## Seat and Bracket Assembly No. 110-0446

Ref	Part No.	Qty.	Description
1	110-5719	1	Armrest Kit
1:1	110-4163	2	Cushion-Rest, Arm
1:2	3256-22	4	Washer-Flat
1:3	322-10	2	Screw-HH
1:4	105-3623	2	Channel-Armrest
1:5	32153-3	2	Nut-Hex, Side Deform
1:6	105-3621	1	Bracket-Armrest, RH
1:7	105-3622	1	Bracket-Armrest, LH
1:8	321-30	8	Screw-HH
1:9	3296-42	4	Nut-Lock, NI
1:10	325-2	2	Screw-HH
1:11	3296-23	2	Nut-Lock, NI
3	110-4162	1	Cushion-Seat, Bottom
4	110-0447	1	Cusion-Seat, Back
7	1-633859	1	Frame-Seat
8	1-643255	1	Track-Seat
11	110-0883	1	Retractable Seatbelt Kit
11:2	3212-4	2	Screw-HH
11:3	3296-7	2	Nut-Lock
11:99	109-6226	1	Seat Belt Extension Kit
12	1-543401	4	Spacer-Track
13	321-30	5	Screw-HH
14	32128-20	4	Nut-HF
15	3256-22	5	Washer-Flat

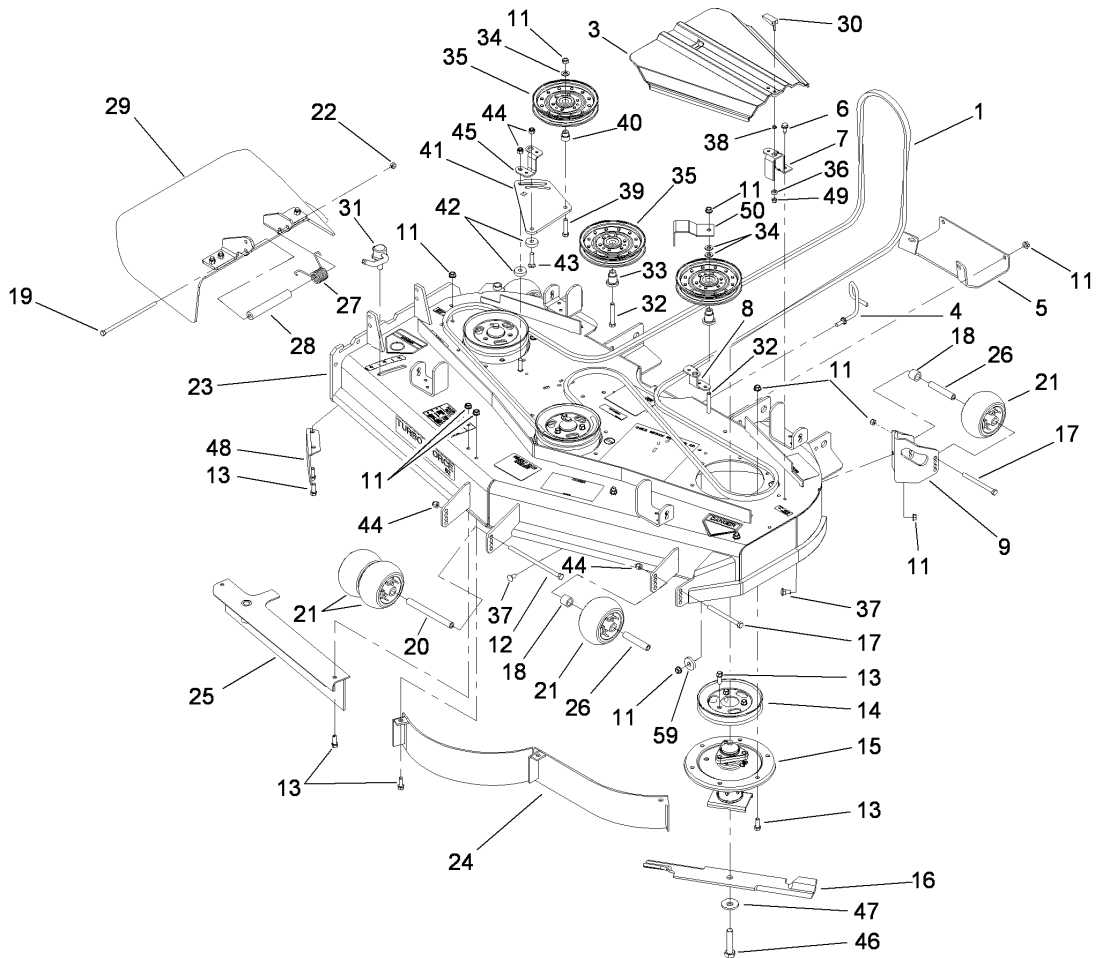
## Roll-Over Protection System Assembly No. 108-1097

Ref	Part No.	Qty.	Description
①		1	Upper Tube ASM
1:2	107-2101	1	Decal-ROPS
1:3	107-2102	1	Decal-Warning, Folding ROPS
2	3296-73	2	Nut-Lock, NI
4	103-4553	2	ROPS Fold Pin ASM
5	325-13	2	Screw-HH
6	32128-23	2	Nut-HF
②		1	Tube-Support, RH
②		1	Tube-Support, LH
13	109-2365	2	Bumper-Rubber (W/Stud)
16	110-5850	1	Seat Frame And Latch ASM
16:2	103-4434	1	Grip-Lever
17	107-3058	1	Catch-Latch, Seat
18	322-3	2	Screw-HH
19	3296-29	2	Nut-Lock, NI
34	110-0883	1	Retractable Seatbelt Kit
34:2	3212-4	2	Screw-HH
34:3	3296-7	2	Nut-Lock
34:99	109-6226	1	Seat Belt Extension Kit
①	②	1	Bag-Bolt, ROPS
54:3	323-6	8	Screw-HH
54:4	98-5975	8	Washer-Belleville
54:5	3290-357	8	Nut-HHF, Whiz



## Deck Connection Assembly

Ref	Part No.	Qty.	Description
1	32128-37	8	Nut-HF
3	103-9792	4	Deck Chain ASM
3:1	1-633447	1	Chain-Lift, Deck
3:2	103-1898	2	Screw-HH
3:3	32128-37	2	Nut-HF
5	3217-11	2	Nut-Hex
6	3253-8	2	Washer-Lock
7	327-11	2	Screw-HH
8	1-633029	2	Balljoint-Spherical
9	3219-6	2	Nut-Hex
10	109-1181	2	Strut-Deck
②10:2		1	Tube And Zerk ASM
10:2:2	109-1380	2	Fitting-Grease
11	1-632199-01	2	Pin-Strut
12	322-3	2	Screw-HH
13	3296-29	2	Nut-Lock, NI
②14		1	Deck ASM

## Deck Assembly

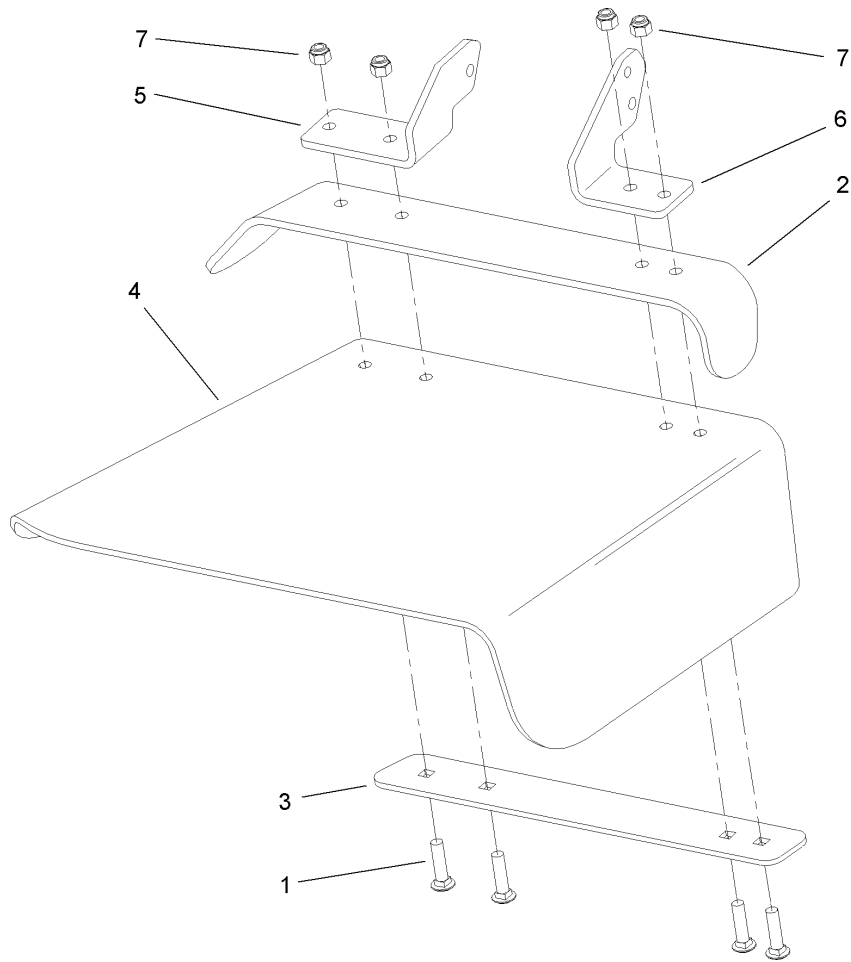
Ref	Part No.	Qty.	Description
1	105-7790	1	Belt
3	107-8536	2	Cover-Belt
4	106-3220	1	Guide-Belt
5	106-7358-01	1	Plate-Skid
6	32144-70	4	Screw-HWHTF
7	108-4121-01	2	Bracket-Cover
8	108-2177-01	1	Bracket-Cover, Tall
9	106-7354-01	1	Mount-Wheel, LH
11	3290-357	40	Nut-HHF, Whiz
12	323-28	1	Screw-HH
13	92-1624	33	Screw
14	105-7735	3	Pulley
15	108-7713	3	Spindle ASM
16	105-7781-03	3	Blade-18 Inch (Hi Flow)
17	323-23	3	Screw-HH
18	98-7913	3	Tube-Spacer
19	322-50	1	Screw-HH
20	98-5967	1	Spacer-Wheel
21	1-603299	5	Roller-Scalp, Anti
22	3296-29	1	Nut-Lock, NI
23	107-1623	1	Deck ASM
24	105-7754-01	1	Baffle ASM
25	105-7755-01	1	Baffle ASM
26	98-7912	3	Tube-Spacer

Ref	Part No.	Qty.	Description
27	108-4052	1	Spring-Torsion
28	105-4622	1	Spacer
29	108-2792	1	Rubber Deflector ASM
30	106-6777	2	Handle-Latch, Swell
31	107-1664	1	Lever ASM
32	323-12	2	Screw-HH
33	106-3214	2	Mount-Pulley
34	3256-24	4	Washer-Flat
35	1-633109	3	Idler-Flat
36	106-6778	2	Bushing-Latch, Swell
37	3231-1	11	Screw-CARR
38	99-3058	2	Washer
39	323-9	1	Screw-HH
40	1-603496	1	Bushing-Idler
41	105-7787-01	1	Plate-Idler
42	105-7788	2	Spacer
43	3231-4	2	Screw-CARR
44	3296-39	5	Nut-Lock, NI
45	108-2178-01	1	Bracket-Cover, Short
46	103-0862	3	Screw-Cap
47	103-0865	3	Washer-Blade Bolt, Heavy
48	106-3216-01	1	Baffle-Discharge
49	1-804254	2	Nut
50	108-7220-01	1	Guide-Belt





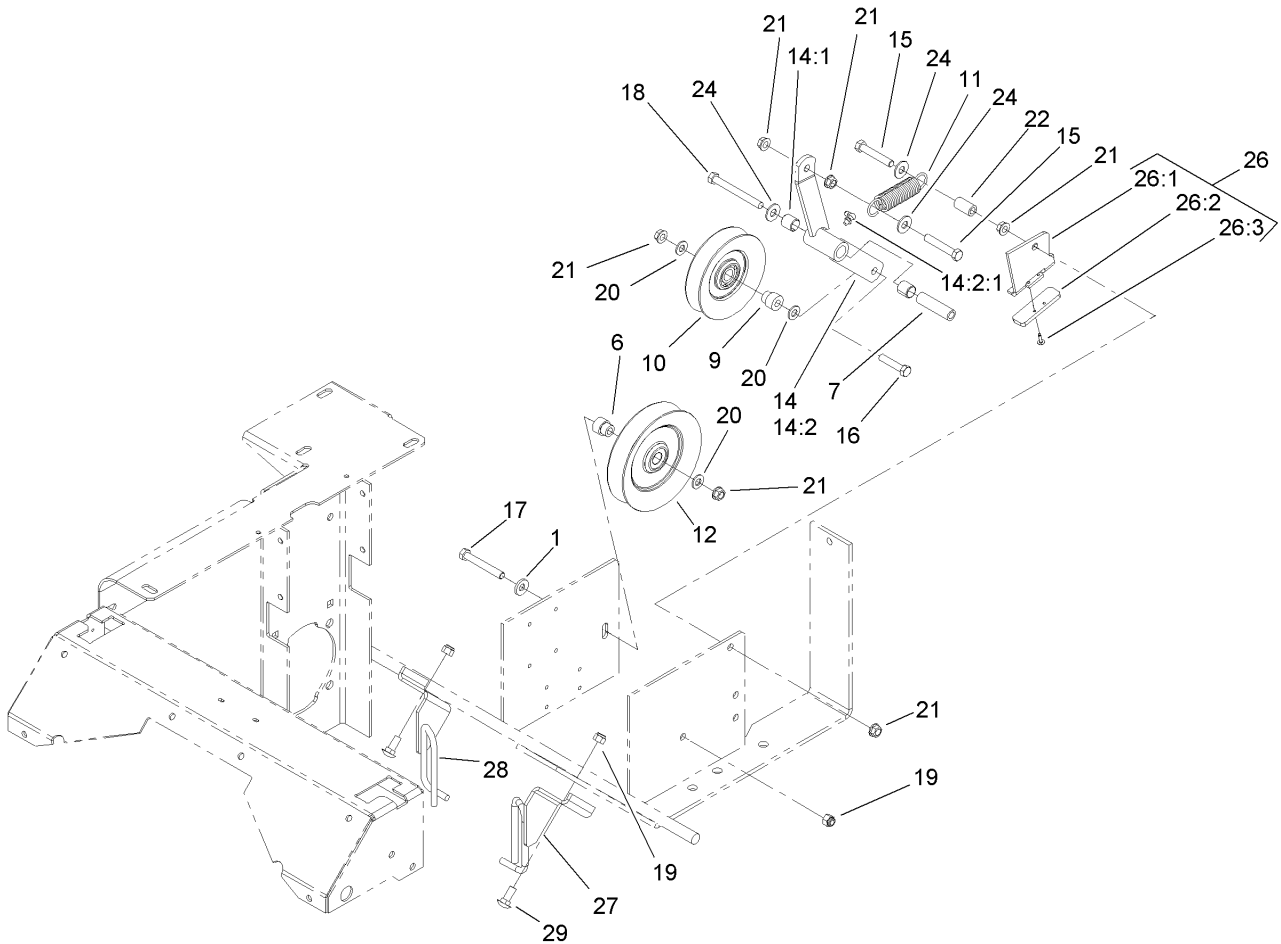




## Rubber Deflector Assembly No. 108-2792

Ref	Part No.	Qty.	Description
1	3231-4	4	Screw-CARR
2	106-3246-01	1	Deflector
3	106-3248-03	1	Strap-Discharge
4	108-5029	1	Deflector-Rubber
5	108-4059-01	1	Plate-Hinge, Rear
6	106-3253-01	1	Plate-Hinge, Front
7	3296-39	4	Nut-Lock, NI



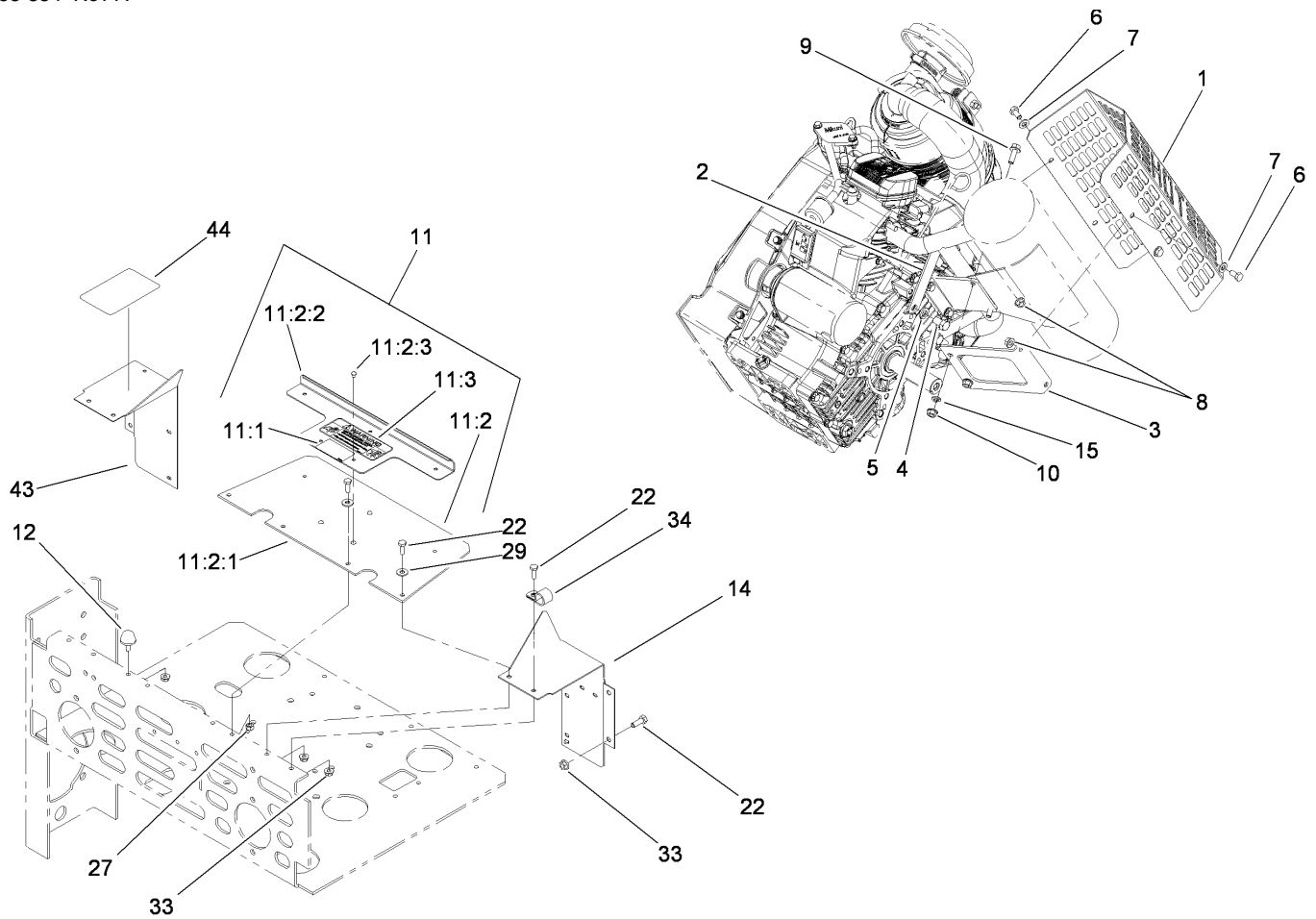


## Drive Idler Assembly

Ref	Part No.	Qty.	Description
1	98-5975	1	Washer-Belleville
6	103-2627	1	Bushing-Idler
7	1-603384	1	Bushing-Pivot, Idler
9	1-603496	1	Bushing-Idler
10	99-4638	1	Idler
11	1-603402	1	Spring-Extension
12	1-633166	1	Pulley-Idler
14	103-3147	1	Arm ASM
14:1	1-513034	2	Sleeve-Bearing
14:2		1	Arm-Idler
14:2:1	302-40	1	Fitting-Grease
15	323-12	2	Screw-HH
16	323-9	1	Screw-HH
17	323-13	1	Screw-HH
18	1-800805	1	Screw-HH
19	3296-39	3	Nut-Lock, NI
20	3256-24	3	Washer-Flat
21	3290-357	6	Nut-HHF, Whiz
22	1-603401	1	Spacer-Fender
24	3256-4	3	Washer-Flat
26	106-3271	1	Travel Limiter ASM
26:1	106-3228-03	1	Plate-Limiter, Pulley
26:2	106-3229	1	Pad-Bumper
26:3	3269-24	2	Rivet

Ref	Part No.	Qty.	Description
27	108-7204-03	1	Guide-Belt, LH
28	108-7229-03	1	Guide-Belt, RH
29	3231-2	2	Screw-CARR

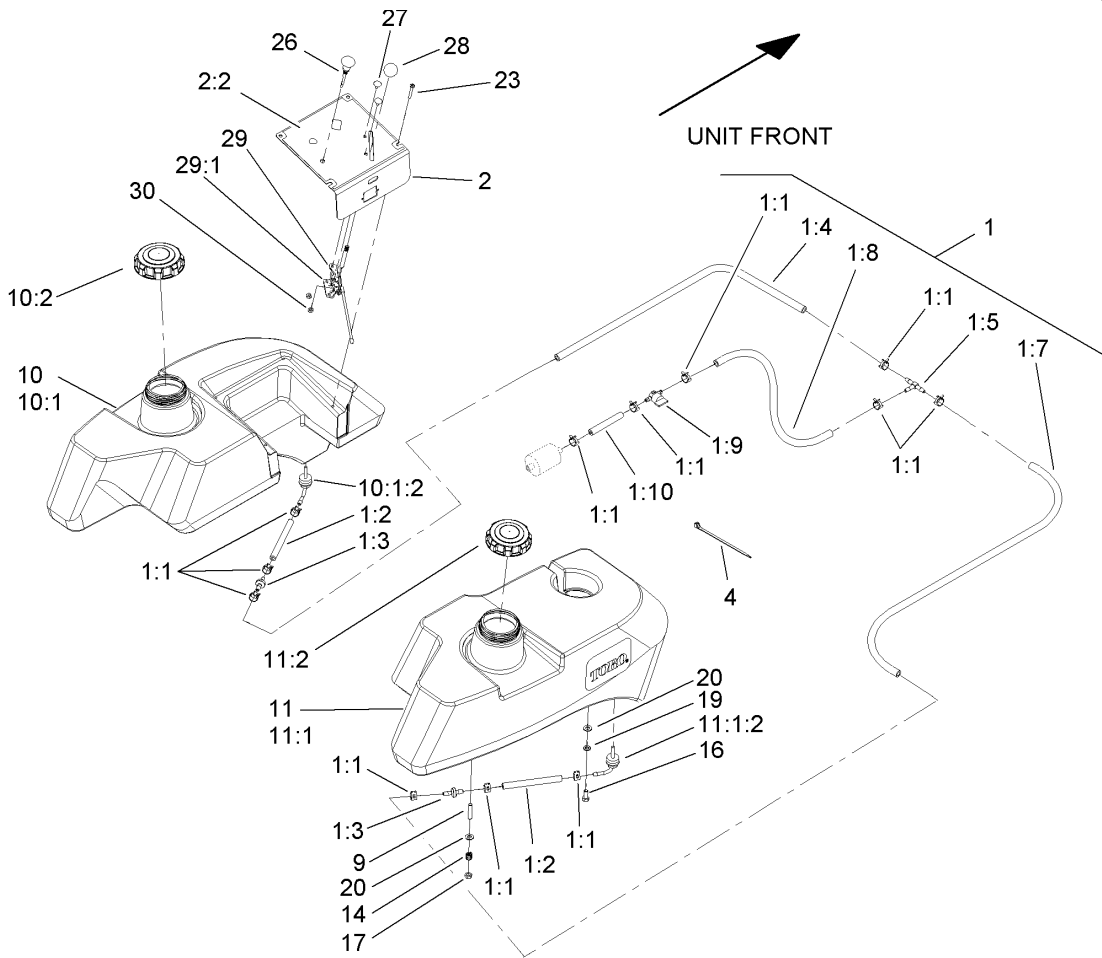




## Guard Assembly

Ref	Part No.	Qty.	Description
1	112-8346-03	1	Guard-Muffer
2	112-8347-03	1	Bracket-Mount, Muffer
3	112-8348-03	1	Bracket-Support, Muffer
4	324-2	2	Screw-HH
5	3253-6	2	Washer-Lock
6	322-2	4	Screw-HH
7	3256-23	4	Washer-Flat
8	32128-20	4	Nut-HF
9	33104-025	2	Screw-HHF
10	33004-00	2	Nut-HF
11	105-6196	1	Shield ASM
11:1	1-633462	1	Decal-Important
11:2	103-1301	1	Drive Cover ASM
11:2:1	103-1308	1	Shield-Engine
11:2:2	103-1304-03	1	Plate-Cover, Drive
11:2:3	1-803035	5	Rivet-Pop
11:3	103-5881	1	Decal-Devices, Rotating
12	109-2365	2	Bumper-Rubber (W/Stud)
14	1-633795-03	1	Baffle-Engine Shield, LH
15	42-9850	2	Washer-Lock, Spring
22	321-4	10	Screw-HH
27	3296-42	4	Nut-Lock, NI
29	3256-2	4	Washer-Flat
33	32128-33	5	Nut-HF

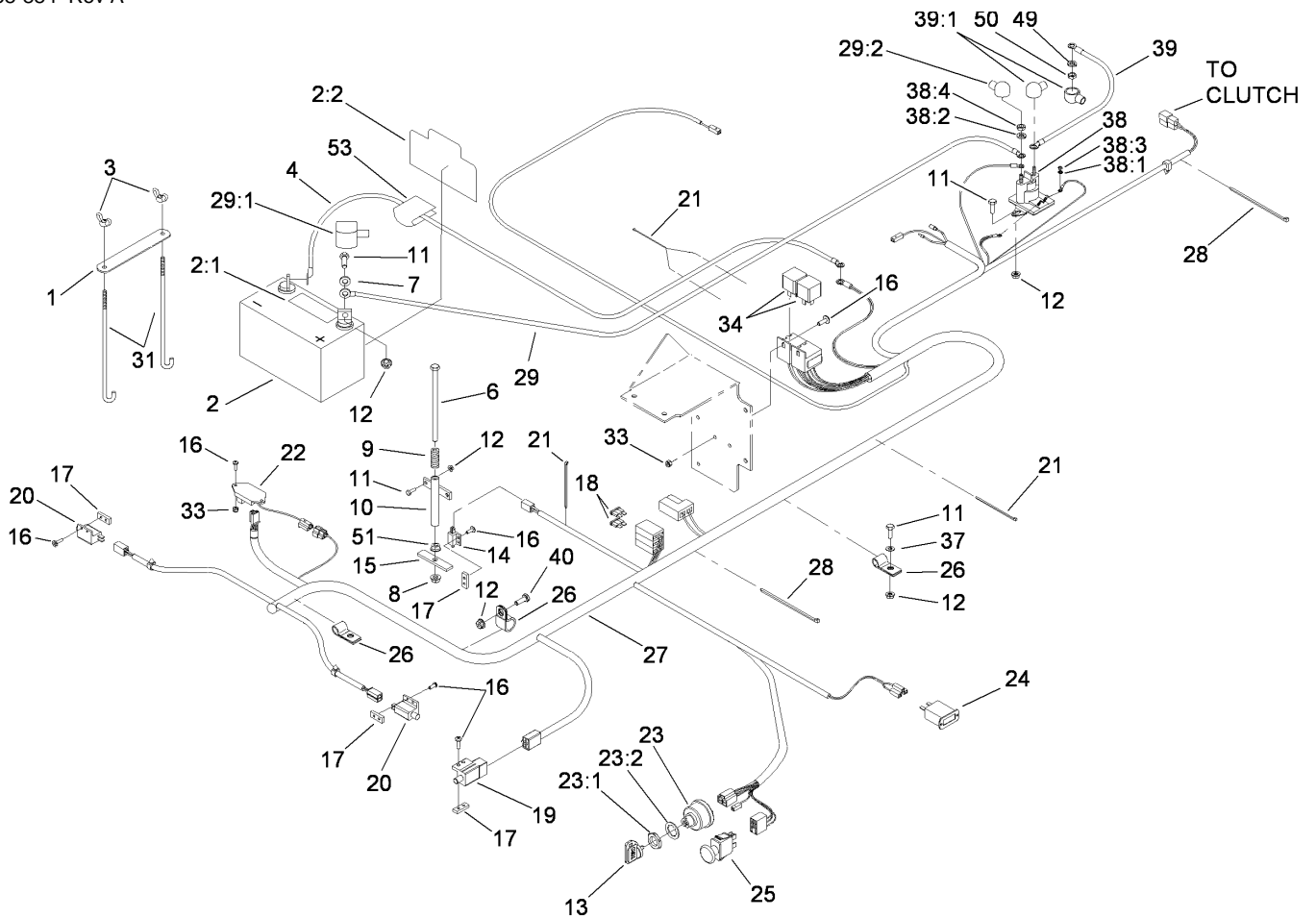
Ref	Part No.	Qty.	Description
34	1-633396	1	Clip-Loom
43	1-633794-03	1	Shield-RH
44	1-643339	1	Decal-Routing, Belt



## Fuel Tank Assembly

Ref	Part No.	Qty.	Description
1	107-9285	1	Fuel Line ASM
1:1	1-303077	12	Clamp
1:2	109-0678	2	Hose-Fuel
1:3	99-5000	2	Valve-Check, Fuel
1:4	109-0305	1	Hose-Fuel
1:5	99-5005	1	Fitting-Tee, Barbed
1:7	109-0302	1	Hose-Fuel
1:8	109-0299	1	Hose-Fuel
1:9	1-603770	1	Valve-Fuel
1:10	110-5701	1	Hose-Fuel
2	110-5732	1	Control Panel ASM
2:2	110-5731	1	Decal-Panel, Control
4	1-303335	4	Tie-Plastic
9	1-633023	6	Stud
10	105-3644	1	LH Fuel Tank Kit ASM
⑩10:1		1	LH Fuel Tank ASM
10:1:2	103-2605	1	Fitting-Fuel, Bulkhead
10:2	109-0346	1	Cap-Fuel, Gas
11	105-3643	1	RH Fuel Tank Kit ASM
⑩11:1		1	RH Fuel Tank ASM
11:1:2	103-2605	1	Fitting-Fuel, Bulkhead
11:2	109-0346	1	Cap-Fuel, Gas
14	1-633349	6	Spring-Tank, Fuel
16	322-3	2	Screw-HH

Ref	Part No.	Qty.	Description
17	3296-47	6	Nut-Lock, NI
19	1-805005	2	Washer-Lock
20	3256-23	8	Washer-Flat
23	109-2661	4	Screw-PPH
26	110-5720	1	Control-Choke, Push / Pull
27	1-807513	2	Bolt-CARR
28	1-603175	1	Knob-Ball
29	110-5727	1	Throttle Cable Control ASM
29:1	112-2334	1	Lever-Throttle
30	3296-2	2	Nut-Lock

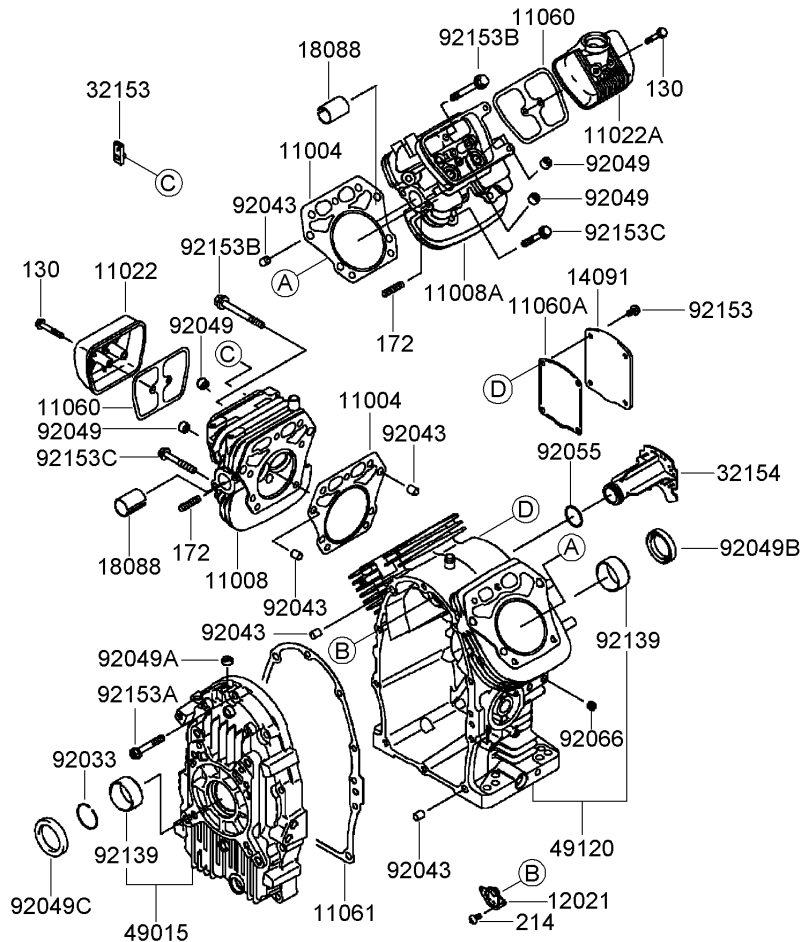


## Electrical Assembly

Ref	Part No.	Qty.	Description
1	107-9277-03	1	Strap-Holddown, Battery
2	105-1692	1	Battery
2:1	104-4163	1	Decal-Battery
2:2	104-4164	1	Decal-Battery
3	1-543792	2	Wingnut
4	1-633307	1	Wire-Ground
6	1-800282	1	Screw-HH
7	3256-2	2	Washer-Flat
8	3296-29	1	Nut-Lock, NI
9	1-523415	1	Spring-Switch, Seat
10	1-522424-03	1	Mount-Spring, Seat
11	321-4	8	Screw-HH
12	32128-33	7	Nut-HF
13	63-8360	2	Key-Ignition
14	1-513152	1	Switch-Closed, Normally
15	1-513180	1	Plate-Switch, Seat
16	3290-500	12	Screw-PPH
17	1-633181	4	Plate-Tapped
18	1-816001	2	Fuse-Blade Type, 20 Amp
19	1-633111	1	Switch
20	1-513051	2	Switch-Open, Normally
21	1-303287	5	Tie-Plastic
22	100-6186	1	Module-Delay, Seat
23	104-2541	1	Switch ASM

Ref	Part No.	Qty.	Description
23:1	218-461	1	Nut-HH
23:2	3254-5	1	Washer-Tooth
24	1-513374	1	Meter-Hour
25	103-5221	1	Switch-PTO
26	1-633396	3	Clip-Loom
27	106-7494	1	Harness-Wire
28	1-303335	2	Tie-Plastic
29	109-7630	1	Positive Battery Cable ASM
29:1	109-2407	1	Insulator-Battery
29:2	1-543393	1	Insulator-Solenoid
31	1-633651	2	Bolt-Holddown
33	3296-2	4	Nut-Lock
34	1-643275	2	Relay
37	3256-22	1	Washer-Flat
38	1-513075	1	Switch-Solenoid
38:1	3253-17	2	Washer-Lock
38:2	3253-4	2	Washer-Lock
38:3	3219-14	2	Nut-Hex
38:4	3220-2	2	Nut-Jam
39	109-7620	1	Positive Starter Cable ASM
39:1	1-543393	2	Insulator-Solenoid
40	321-2	1	Screw-HH
49	1-805004	1	Washer-Lock
50	3217-5	1	Nut-Hex

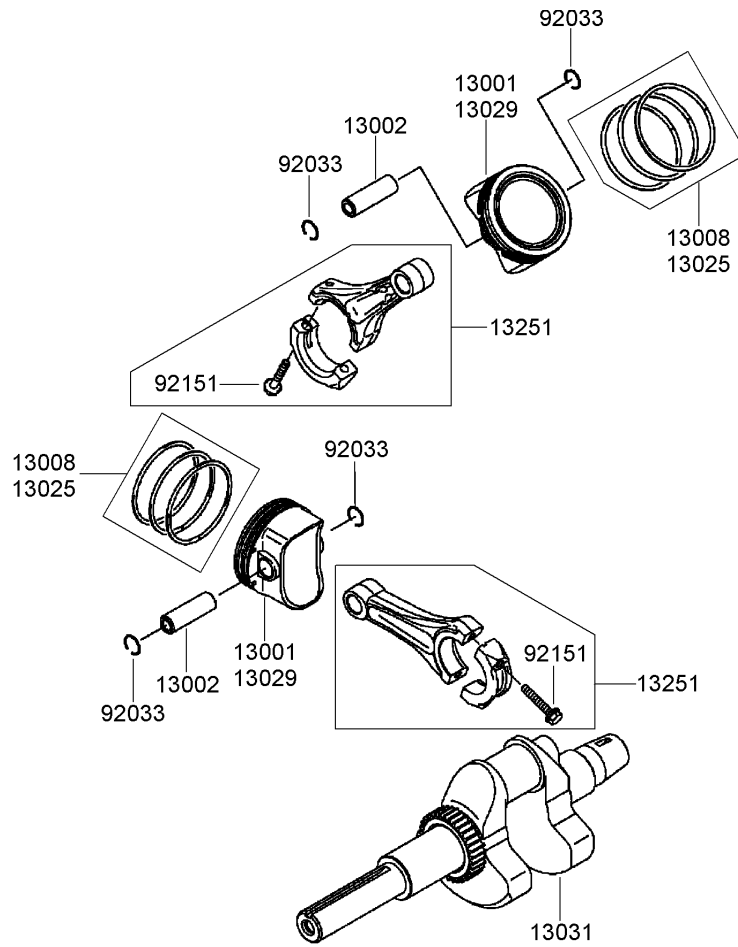




## Cylinder and Crankcase Assembly Kawasaki FH770D-AS05

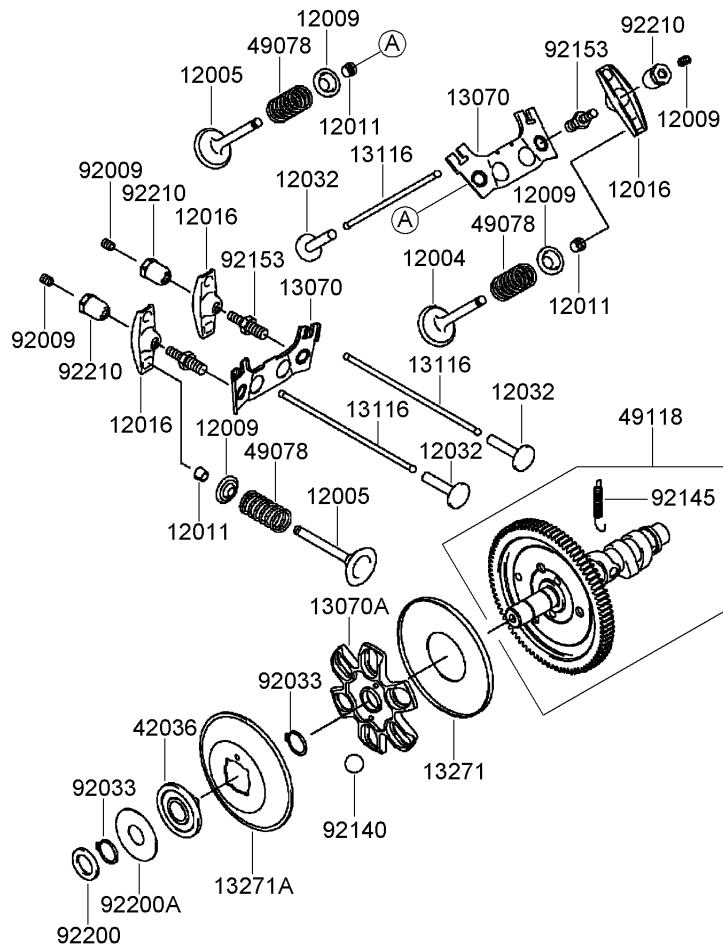
Ref	Part No.	Qty.	Description
①11004	11004-7021	2	Gasket-Head
①11008	11008-7030	1	Head-Cylinder, No.1
①11008A	11008-7031	1	Head-Cylinder, No.2
①11022	11022-7002	1	Case-Rocker
①11022A	11022-7004	1	Case-Rocker
①11060	11060-7013	2	Gasket-Case, Rocker
①11060A	11060-7014	1	Gasket-Breather
①11061	11061-7047	1	Gasket-Crankcase
①12021	12021-7002	1	Reed Valve ASM
①14091	14091-7004	1	Cover
①18088	18088-7003	2	Pipe-Exhaust
①32153	32153-7003	1	Pipe
①32154	32154-7021	1	Pipe
①49015	49015-6269	1	Cover-Crankcase
①49120	49120-6151	1	Crankcase
①92033	92033-7004	1	Ring-Snap
①92043	92043-7001	6	Pin
①92049	92049-7001	4	Seal-Oil, R V C2 (6X11X10.2)
①92049A	92049-7005	1	Seal-Oil, S O (8X14X5 H S)
①92049B	92049-7010	1	Seal-Oil, Sd (35X48X8 R Hs)
①92049C	92049-7022	1	Seal-Oil, Sd-40-55-8-L-Hs
①92055	92055-7022	1	O-Ring (25X30.2X2.62)
①92066	92066-7002	1	Plug
①92139	92139-7009	2	Bushing

Ref	Part No.	Qty.	Description
①92153	92153-7043	4	Bolt (6X12)
①92153A	92153-7073	10	Bolt (8X50)
①92153B	92153-7074	2	Bolt (8X75)
①92153C	92153-7083	8	Bolt (8X55)
①130	130B0640	4	Bolt-Flanged (6X40)
①172	172G0818	4	Bolt-Stud (8X18)
①214	214B0408	2	Screw-Pan (4X8)



## Piston and Crankshaft Assembly Kawasaki FH770D-AS05

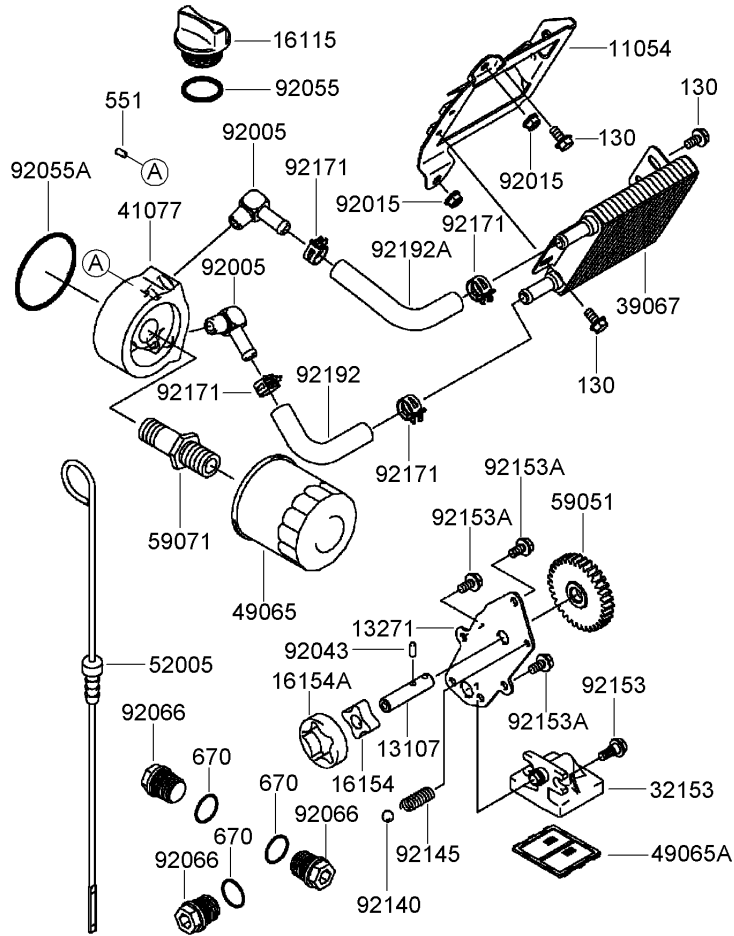
Ref	Part No.	Qty.	Description				
● 13001	13001-7020	2	Piston-Engine				
● 13002	13002-2085	2	Pin-Piston				
● 13008	13008-6064	2	Piston Ring Set				
● 13025	13025-7005	1	Piston Ring Set (0.50)				
● 13029	13029-7008	1	Piston-Engine (0.50)				
● 13031	13031-7071	1	Crankshaft				
● 13251	13251-7016	2	Connecting Rod ASM				
● 92033	92033-7002	4	Ring-Snap				
● 92151	92151-7017	4	Bolt (6X35)				



## Valve and Camshaft Assembly Kawasaki FH770D-AS05

Ref	Part No.	Qty.	Description
①	12004	2	Valve-Intake
①	12005	2	Valve-Exhaust
①	12009	4	Retainer-Spring, Valve
①	12011	8	Collet
①	12016	4	Arm-Rocker
①	12032	4	Tappet
①	13070	2	Guide
①	13070A	1	Guide
①	13116	4	Rod-Push
①	13271	1	Plate
①	13271A	1	Plate-Governor
①	42036	1	Sleeve
①	49078	4	Spring-Valve, Engine (In)
①	49118	1	Camshaft
①	92009	4	Screw
①	92033	2	Ring-Snap
①	92140	6	Ball
①	92145	1	Spring
①	92153	4	Bolt
①	92200	1	Washer
①	92200A	1	Washer (16X42X0.91)
①	92210	4	Nut (M6)

--	--	--	--

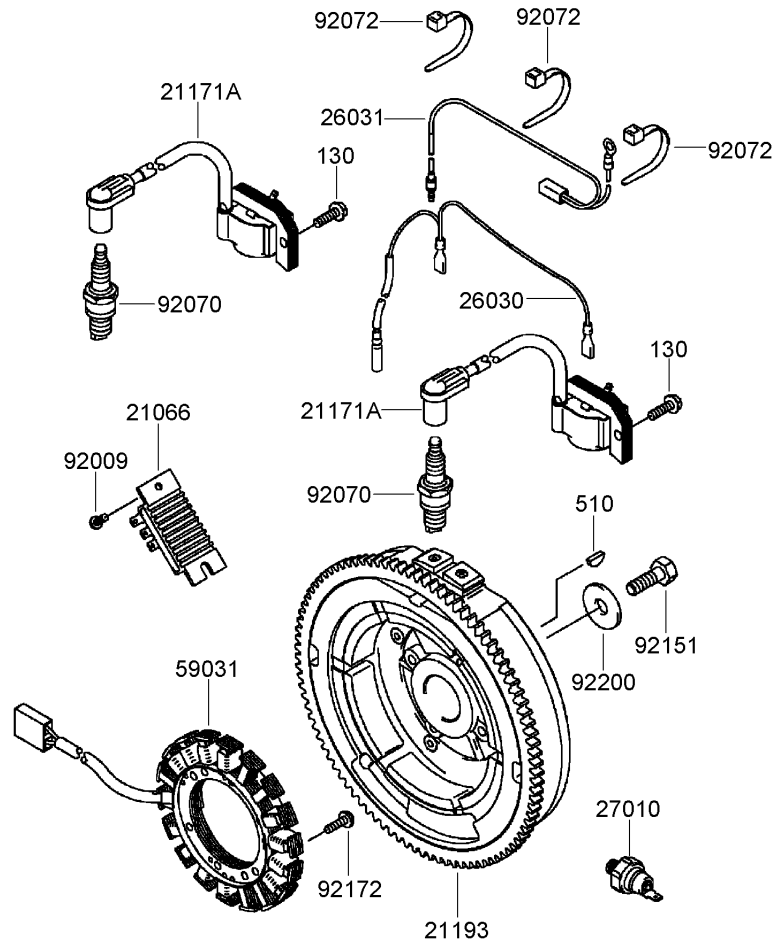


## Lubrication Equipment Assembly Kawasaki FH770D-AS05

Ref	Part No.	Qty.	Description
●11054	11054-7001	1	Bracket
●13107	13107-7009	1	Shaft
●13271	13271-7014	1	Plate
●16115	16115-7001	1	Cap-Filter, Oil
●16154	16154-2053	1	Rotor-Pump (In)
●16154A	16154-2054	1	Rotor-Pump (Out)
●32153	32153-7002	1	Pipe
●39067	39067-7006	1	Cooler-Oil
●41077	41077-7003	1	Adapter
●49065	49065-2078	1	Filter-Oil
●49065A	49065-7005	1	Filter-Oil
●52005	52005-7003	1	Guage
●59051	59051-7011	1	Gear-Spur
●59071	59071-7009	1	Joint
●92005	92005-7003	2	Fitting
●92015	92015-1193	2	Nut
●92043	92043-7003	2	Pin
●92055	92055-7004	1	O-Ring
●92055A	92055-7006	1	O-Ring (58)
●92066	92066-7003	3	Plug
●92140	92140-7003	1	Ball
●92145	92145-7046	1	Spring
●92153	92153-7007	2	Bolt
●92153A	92153-7043	3	Bolt (6X12)

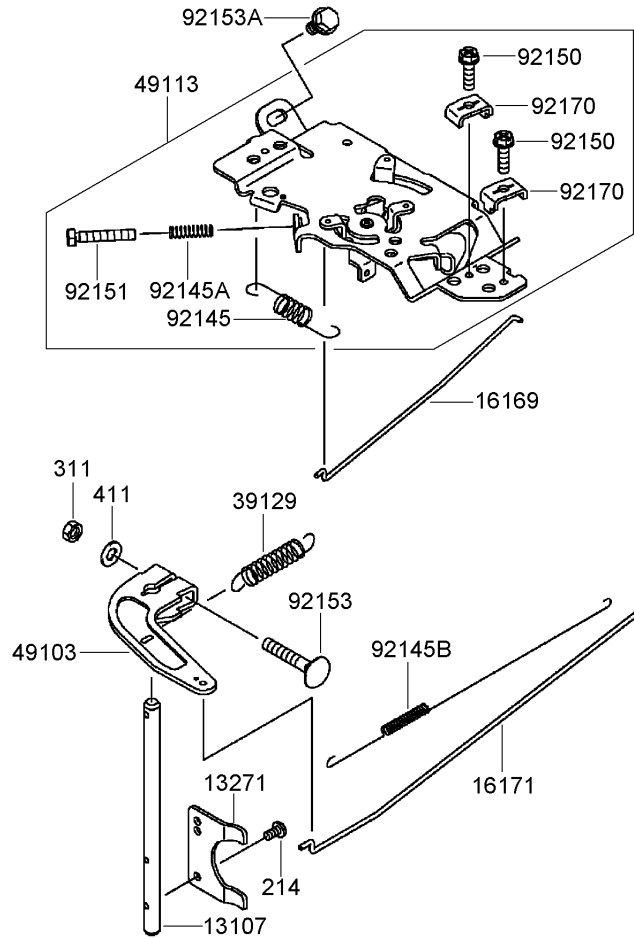
Ref	Part No.	Qty.	Description
●92171	92171-7020	4	Clamp
●92192	92192-7026	1	Tube
●92192A	92192-7027	1	Tube
●130	130B0612	5	Bolt-Flanged (6X12)
●551	551A0408	1	Pin-Dowel
●670	670D2016	3	O-Ring (16Mm)





## Electric Equipment Assembly Kawasaki FH770D-AS05

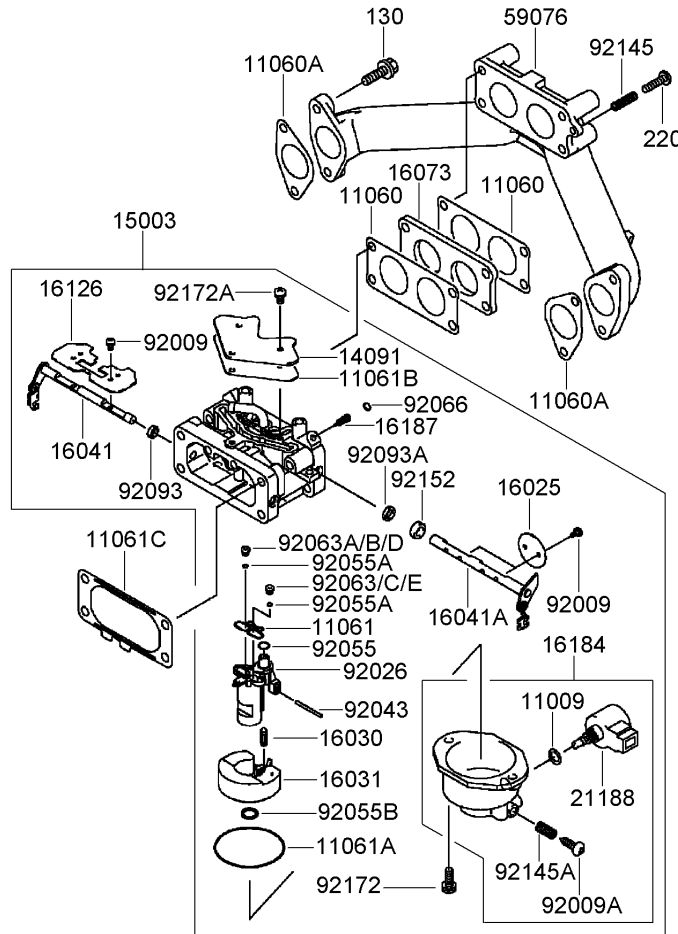
Ref	Part No.	Qty.	Description				
②	21066-7011	1	Regulator-Voltage				
②	21171A-7037	2	Ignition Coil ASM				
②	21193-7030	1	Flywheel ASM				
②	26030-7002	1	Harness				
②	26031-7012	1	Harness				
②	27010-7001	1	Switch				
②	59031-7009	1	Coil-Charging				
②	92009-2308	1	Screw				
②	92070-7004	2	Sparkplug, B P R 4 E S (N G K) Solid				
②	92072-7003	3	Band				
②	92151-2097	1	Bolt (12X30)				
②	92172-7018	4	Screw (5X20)				
②	92200-7002	1	Washer				
②	130-130B0620	4	Bolt-Flanged (6X20)				
②	510-510A5100	1	Key-Woodruff				



## Control Equipment Assembly Kawasaki FH770D-AS05

Ref	Part No.	Qty.	Description
③13107	13107-7011	1	Shaft
③13271	13271-7032	1	Plate
③16169	16169-7008	1	Link-Choke
③16171	16171-7005	1	Link
③39129	39129-7012	1	Spring-Governor
③49103	49103-7004	1	Arm-Governor
③49113	49113-7040	1	Panel Control
③92145	92145-7004	1	Spring
③92145A	92145-7005	1	Spring
③92145B	92145-7014	1	Spring
③92150	92150-2182	2	Bolt (5X18)
③92151	92151-7014	1	Bolt (5X30)
③92153	92153-7033	1	Bolt (6X35)
③92153A	92153-7043	2	Bolt (6X12)
③92170	92170-7001	2	Clamp
③214	214B0408	2	Screw-Pan (4X8)
③311	311B0600	1	Nut-Hex (6Mm)
③411	411B0600	1	Washer-Plain (6Mm)

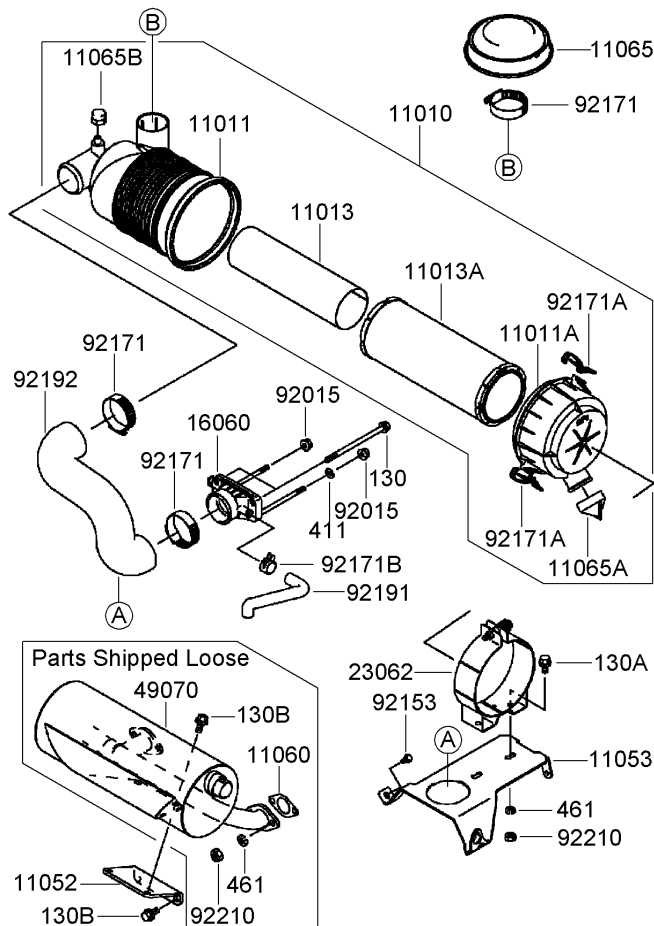
--	--	--	--



## Carburetor Assembly Kawasaki FH770D-AS05

Ref	Part No.	Qty.	Description
①11009	11009-2056	1	Gasket
①11060	11060-7010	2	Gasket-Carburetor
①11060A	11060-7011	2	Gasket-Manifold
①11061	11061-7037	1	Gasket
①11061A	11061-7038	1	Gasket
①11061B	11061-7039	1	Gasket
①11061C	11061-7042	1	Gasket-Filter, Air
①14091	14091-7031	1	Cover
①15003	15003-7125	1	Carburetor ASM
①16025	16025-7010	2	Valve-Throttle
①16030	16030-7004	1	Valve-Float
①16031	16031-7003	1	Float
①16041	16041-7028	1	Shaft-Carburetor
①16041A	16041-7032	1	Shaft-Carburetor
①16073	16073-7002	1	Insulator
①16126	16126-7015	1	Valve
①16184	16184-7017	1	Chamber Float ASM
①16187	16187-7002	2	Needle-Jet
①21188	21188-7003	1	Solenoid
①59076	59076-7006	1	Manifold-Intake
①92009	92009-7003	6	Screw
①92009A	92009-7006	1	Screw-Drain
①92026	92026-7011	1	Spacer
①92043	92043-7014	1	Pin

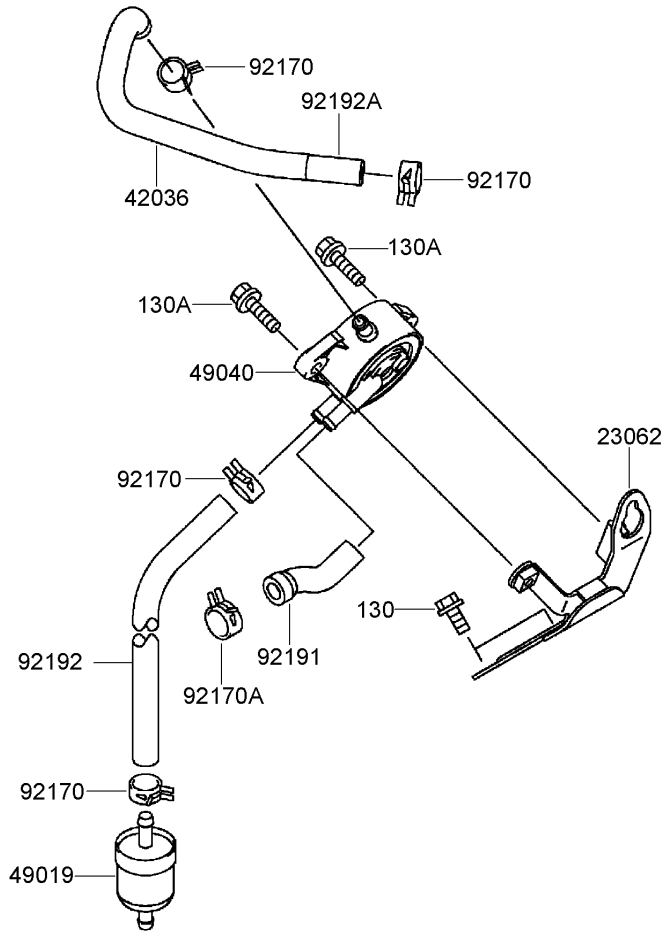
Ref	Part No.	Qty.	Description
①92055	92055-7012	1	O-Ring
①92055A	92055-7013	2	O-Ring
①92055B	92055-7016	1	O-Ring
①92063	92063-7086	1	Jet-Main, No.124
①92063A	92063-7087	1	Jet-Main, No.122
①92063B	92063-7092	1	Jet-Main, No.119
①92063C	92063-7093	1	Jet-Main, No.121
①92063D	92063-7094	1	Jet-Main, No.116
①92063E	92063-7095	1	Jet-Main, No.118
①92066	92066-7009	2	Plug, Extension
①92093	92093-7001	1	Seal (I D 5.9)
①92093A	92093-7002	1	Seal (I D 6.9)
①92145	92145-7005	1	Spring
①92145A	92145-7011	1	Spring
①92152	92152-7005	1	Collar
①92172	92172-7005	2	Screw
①92172A	92172-7006	3	Screw
①130	130B0620	4	Bolt-Flanged (6X20)
①220	220B0520	1	Screw-Pan (5X20)



## Air Filter and Muffler Assembly Kawasaki FH770D-AS05

Ref	Part No.	Qty.	Description
●11010	11010-7011	1	Air Filter ASM
●11011	11011-7013	1	Case-Filter, Air
●11011A	11011-7014	1	Case-Filter, Air
●11013	11013-7019	1	Element-Filter, Air
●11013A	11013-7020	1	Element-Filter, Air
●11052	11052-7001	1	Bracket
●11053	11053-7002	1	Bracket
●11060	11060-7016	2	Gasket-Muffler
●11065	11065-7006	1	Cap
●11065A	11065-7008	1	Cap
●11065B	11065-7009	1	Cap
●16060	16060-7022	1	Pipe-Intake
●23062	23062-7009	1	Bracket
●49070	49070-7023	1	Muffler
●92015	92015-1193	2	Nut
●92153	92153-7043	2	Bolt (6X12)
●92171	92171-7007	3	Clamp
●92171A	92171-7009	2	Clamp
●92171B	92171-7013	1	Clamp
●92191	92191-7032	1	Tube, Breather
●92192	92192-7049	1	Tube
●92210	92210-7027	6	Nut (M8)
●130	130B06105	2	Bolt-Flanged (6X10.5)
●130A	130B0814	2	Bolt-Flanged (8X14)

Ref	Part No.	Qty.	Description
●130B	130B0816	4	Bolt-Flanged (8X16)
●411	411B0600	1	Washer-Plain (6Mm)
●461	461F0800	6	Washer-Spring (8Mm)



## Fuel Tank and Valve Assembly Kawasaki FH770D-AS05

Ref	Part No.	Qty.	Description
③23062	23062-7004-9H	1	Bracket
③42036	42036-7016	1	Sleeve
③49019	49019-7001	1	Filter-Fuel
③49040	49040-7001	1	Pump-Fuel
③92170	92170-2088	4	Clamp
③92170A	92170-7003	1	Clamp
③92191	92191-7027	1	Tube
③92192	92192-7037	1	Tube (6.35X12.7X160)
③92192A	92192-7073	1	Tube (6.35X12.7X195)
③130	130B0616	2	Bolt-Flanged (6X16)
③130A	130B0620	2	Bolt-Flanged (6X20)





56033



56070



56080



## Label Assembly Kawasaki FH770D-AS05

Ref	Part No.	Qty.	Description				
56033	56033-7001	1	Label-Manual				
56070	56070-7001	1	Label-Warning				
56080	56080-7034	1	Label-Brand				

# Attachments and Accessories

## For 74271 - Z550 Z Master, With 52in TURBO FORCE Side Discharge Mower

Product Name	Model/Part
Z Stand Kit	105-1622
1.25 Inch Spark Arrester Kit	105-1672
Blade-Recycler, 18 Inch	105-7779-03
Blade-Hi Flow, 18 Inch	105-7781-03
Blade-Med Flow, 18 Inch	105-7794-03
Blade-Low Flow, 18 Inch	105-7795-03
Blade-Atomic, 18 Inch	105-7796-03
52 Inch Recycler Kit	107-1610
Striping Kit	107-1630
Turbo Baffle Kit	107-1634
DFS Weight Kit	107-1760
Suspension Kit for Standard Seat	107-1892
Light Kit	107-9880
Blade-Hi-Flow, 18 Inch (6 Pack)	108-1117
Blade-Atomic, 18 Inch (6 Pack)	108-1118
Roller Striping Kit	108-2162
Blade-Lo-Flow, 18 Inch (6 Pack)	110-0406
Blade-Recycler, 18 Inch (6 Pack)	110-0408
Blade-Med-Flow, 18 Inch (6 Pack)	110-0409
Cool Top ROPS Mounted Fan	110-1996
Sunshade-Bimini	110-5726
Channel Reinforcement Kit	112-8674
DFS Vac Collection System	78513
Chute Gate Kit	78521
Deluxe Suspension Seat Kit	78530
Twin Bag Assembly	78533
Blower and Drive Kit	78537
Filter Minder Gauge	99-4664
Hitch Kit	99-8925

