



## 22in Recycler<sup>®</sup> Lawn Mower

Model No. 20110 - 280000001 and up.

### Parts Catalog

---

#### **Ordering Replacement Parts**

To order replacement parts, please supply the part number, the quantity, and the description of each part desired.

#### **Understanding Reference Numbers**

Each identified part in an illustration has a reference number. The reference number for a part also appears in the parts list, along with other information about the part.

This catalog uses two special reference number formats, one to indicate parts in a service assembly and another to indicate the quantity of a given part in an illustration.

#### **Service Assembly Reference Numbers**

Parts in service assemblies have reference numbers in the form a:b. The a represents the reference number of the entire service assembly and the b represents a sequential number unique to each part within the service assembly.

For example, a wheel assembly might be identified by reference number 6, the tire by 6:1, the valve by 6:2, and the wheel by 6:3. When you order the assembly identified by reference number 6, you receive all parts identified by reference numbers 6:1, 6:2, and 6:3. However, you may also order any part individually. Reference numbers of this type appear in illustrations and in part lists.

#### **Reference Numbers Indicating Quantity**

In an illustration, if a reference number indicates more than one part, the reference number has the form nX y. The n represents the quantity of the part, the X is the multiplication symbol, and the y represents the reference number.

For example, in an illustration, the reference number 2X 37 means that two of the parts identified by reference number 37 are indicated.

# Contents

Description	Page	Description	Page
Deck, Side Chute and Rear Door Assembly	3	Air Cleaner Assembly Briggs and Stratton 124T02-0215-B1	14
Rear Axle Assembly	4	Governor Assembly Briggs and Stratton 124T02-0215-B1	15
Front Axle and Transmission Assembly	5	Muffler and Fuel Tank Assembly Briggs and Stratton 124T02-0215-B1	16
Transmission Assembly No. 106-3955	6	Blower Housing Assembly Briggs and Stratton 124T02-0215-B1	17
Engine and Blade Assembly	7	Starter Assembly Briggs and Stratton 124T02- 0215-B1	18
Handle Assembly	8	Engine Gasket Set Briggs and Stratton 124T02-0215-B1	19
Rear Bag Assembly	9	Carburetor Overhaul Kit Briggs and Stratton 124T02-0215-B1	20
Cylinder Assembly Briggs and Stratton 124T02-0215-B1	10	Attachments and Accessories List	21
Crankshaft Assembly Briggs and Stratton 124T02-0215-B1	11		
Crankcase Assembly Briggs and Stratton 124T02-0215-B1	12		
Carburetor Assembly Briggs and Stratton 124T02-0215-B1	13		

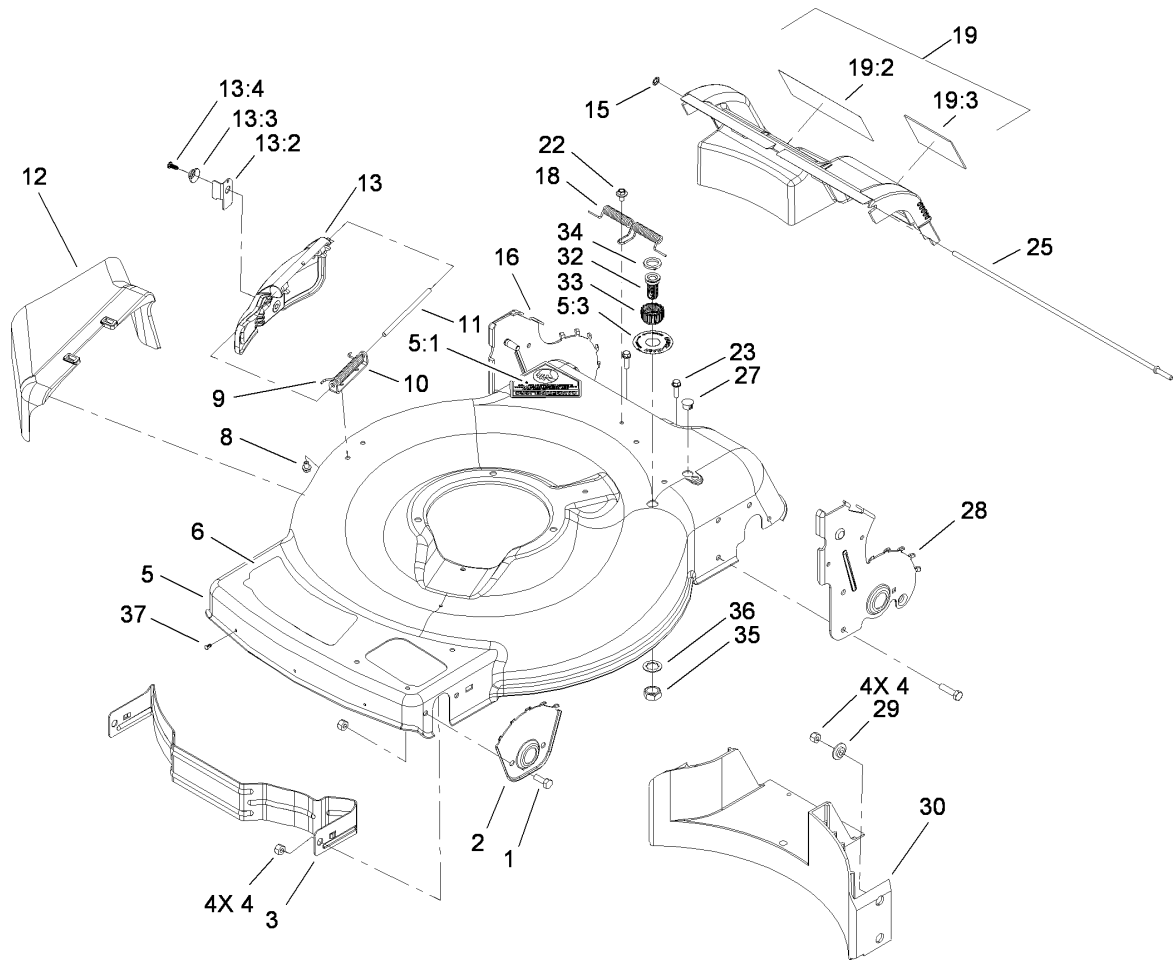
## Part Description Abbreviations

Part descriptions in this catalog may include the following abbreviations.

AR. .... as required	HYD. .... hydraulic
ASM. .... assembly	LH. .... left hand
BBC. .... blade brake clutch	NI. .... nylon insert
CARR. .... carriage	NPTF. .... national pipe thread fine
DEG. .... degrees	PFH. .... phillips flat head
EXT. .... external	PPH. .... phillips pan head
FH. .... flat head	PPHTF. .... phillips pan head thread forming
GA. .... gauge	PRH. .... phillips round head
HD. .... heavy-duty	PTH. .... phillips truss head
HF. .... hex flange	PTO. .... power-take-off
HH. .... hex head	RH. .... right hand
HHF. .... hex head flange	ROPS. .... roll-over protection system
HHFTF. .... hex head flange thread forming	SFH. .... slotted fillister head
HJ. .... hex jam	SHH. .... slotted hex head
HLH. .... hex lag head	SHWH. .... slotted hex washer head
HOC. .... height-of-cut	SPH. .... slotted pan head
HSBH. .... hex socket button head	SQH. .... square head
HSFH. .... hex socket flat head	SRH. .... slotted round head
HSH. .... hex socket head	STD. .... standard
HWH. .... hex washer head	TAP. .... self tapping
HWHTF. .... hex washer head thread forming	TTH. .... torx truss head

## Footnotes

- |  |   |
|--|---|
| ❶ Not serviced separately                            | ❷ Obtain from your local Briggs & Stratton dealer |
| ❸ Included in Carburetor Overhaul Kit (Ref. No. 121) | ❹ Included in Engine Gasket Set (Ref. No. 358)    |
| ❺ Included in Carburetor Gasket Set (Ref. No. 977)   |   |

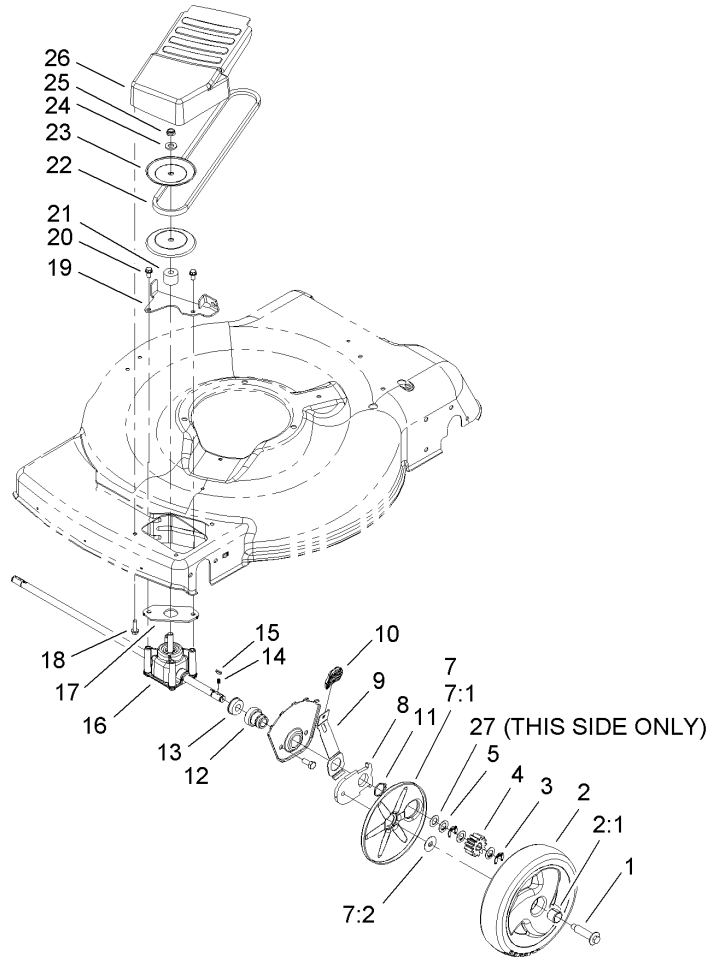


## Deck, Side Chute and Rear Door Assembly

Ref	Part No.	Qty.	Description
1	322-3	4	Screw-HH
2	105-1808-03	2	Plate-HOC, Front
3	104-8694-03	1	Baffle-Front
4	3296-29	8	Nut-Lock, NI
5	112-8850	1	Housing ASM
5:1	94-8072	1	Decal-Danger
5:3	112-8867	1	Decal-Washout Port, Trilingual
6	114-0322	1	Decal-Deck
8	99-8445	2	Screw-HWH
9	99-5293	1	Spring-Torsion
10	112-6416	1	Bracket-Cover
11	99-5291	1	Rod-Cover
12	105-3028	1	Chute-Discharge, Side
13	106-8376	1	Discharge Door ASM
13:2	107-0795	1	Latch-Door
13:3	107-7456	1	Cap-Door
13:4	107-7461	1	Screw-Plastite
15	32112-6	1	Nut-Push
16	112-6441	1	8 Inch RH HOC Plate ASM
18	105-3032	1	Spring-Door, Rear
19	112-8865	1	Rear Door ASM
19:2	112-8759	1	Decal-Warning
19:3	104-7908	1	Decal-Warning
22	46-6810	1	Screw And Washer ASM

Ref	Part No.	Qty.	Description
23	46-8091	2	Screw-HWH
25	105-1827	1	Rod-Pivot, Rear Door
27	104-9369	1	Plug-Dome
28	112-6443	1	8 Inch LH HOC Plate ASM
29	105-3006	4	Washer-Stepped
30	105-3047	1	Baffle-Rear
32	112-6400	1	Port-Washout
33	112-6401	1	Coupling-Hose, Washout Port
34	112-6438	1	Washer-Seal, Washout Port
35	3218-6	1	Nut-Jam
36	3254-5	1	Washer-Tooth
37	112-6436	3	Plug-Arrow



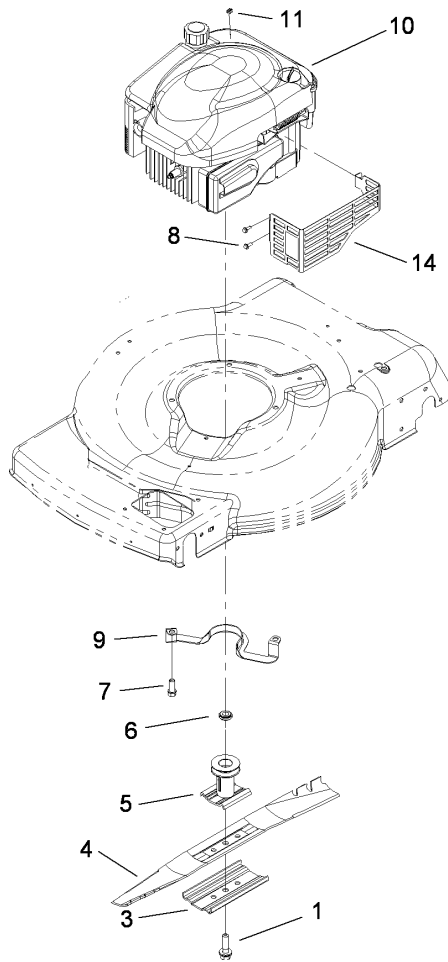


## Front Axle and Transmission Assembly

Ref	Part No.	Qty.	Description
1	614650	2	Bolt-Shoulder
2	105-1815	2	Wheel Gear ASM
2:1	27-6250	2	Bushing
3	65-2720	4	Ring-Clip, Locking
4	104-8670	2	Gear-Pinion, 13T
5	105-6840	6	Washer-Thrust
7	110-1792	2	Wheel Cover ASM
7:1		1	Cover-Wheel
7:2	614426	1	Washer-Stepped
8	105-1807	2	Arm-Pivot, Front
9	105-1809	2	Arm-Spring
10	105-3042	2	Knob-Lever, HOC
11	32151-36	2	Ring-Retaining
12	104-8698	2	Retainer-Bearing, HOC
13	104-8699	2	Bearing-Ball
14	39-9650	2	Spring-Compression
15	612066	2	Key
16	106-3955	1	Transmission ASM
17	108-9756	1	Gasket-Gearbox
18	46-8091	2	Screw-HWH
19	105-1833-03	1	Bracket-Pivot, Fwd
20	32144-4	2	Screw-HWH
21	92-5791	1	Spacer
22	91-2258	1	V-Belt

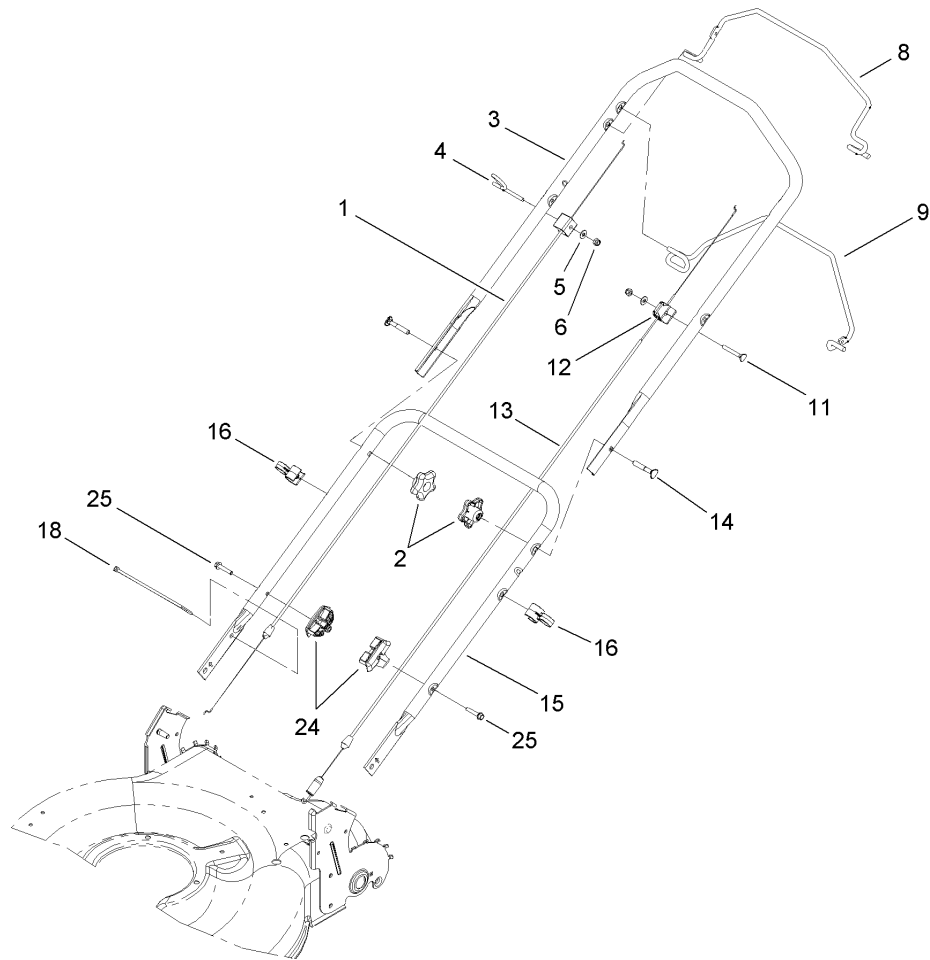
Ref	Part No.	Qty.	Description
23	104-8691	2	Pulley-Half, Front
24	3256-24	1	Washer-Flat
25	3296-5	1	Nut-Lock
26	105-1839	1	Cover-Belt, Front
27	36-4780	1	Washer-Plain





## Engine and Blade Assembly

Ref	Part No.	Qty.	Description				
1	105-8579	1	Bolt-Blade				
3	108-3766-03	1	Support-Blade				
4	108-9764-03	1	Blade-22 Inch				
5	106-3987	1	Blade Driver ASM				
6	106-3999	1	Spacer-Driver				
7	95-1726	3	Screw-Taptite				
8	32144-1	3	Screw-Taptite				
9	105-3031-03	1	Guide-Belt				
10		1	Engine-Briggs And Stratton, 124T02-0215-B1				
11	2210-316	1	Stop-Rope				
14	104-7577-03	1	Shield-Muffler				

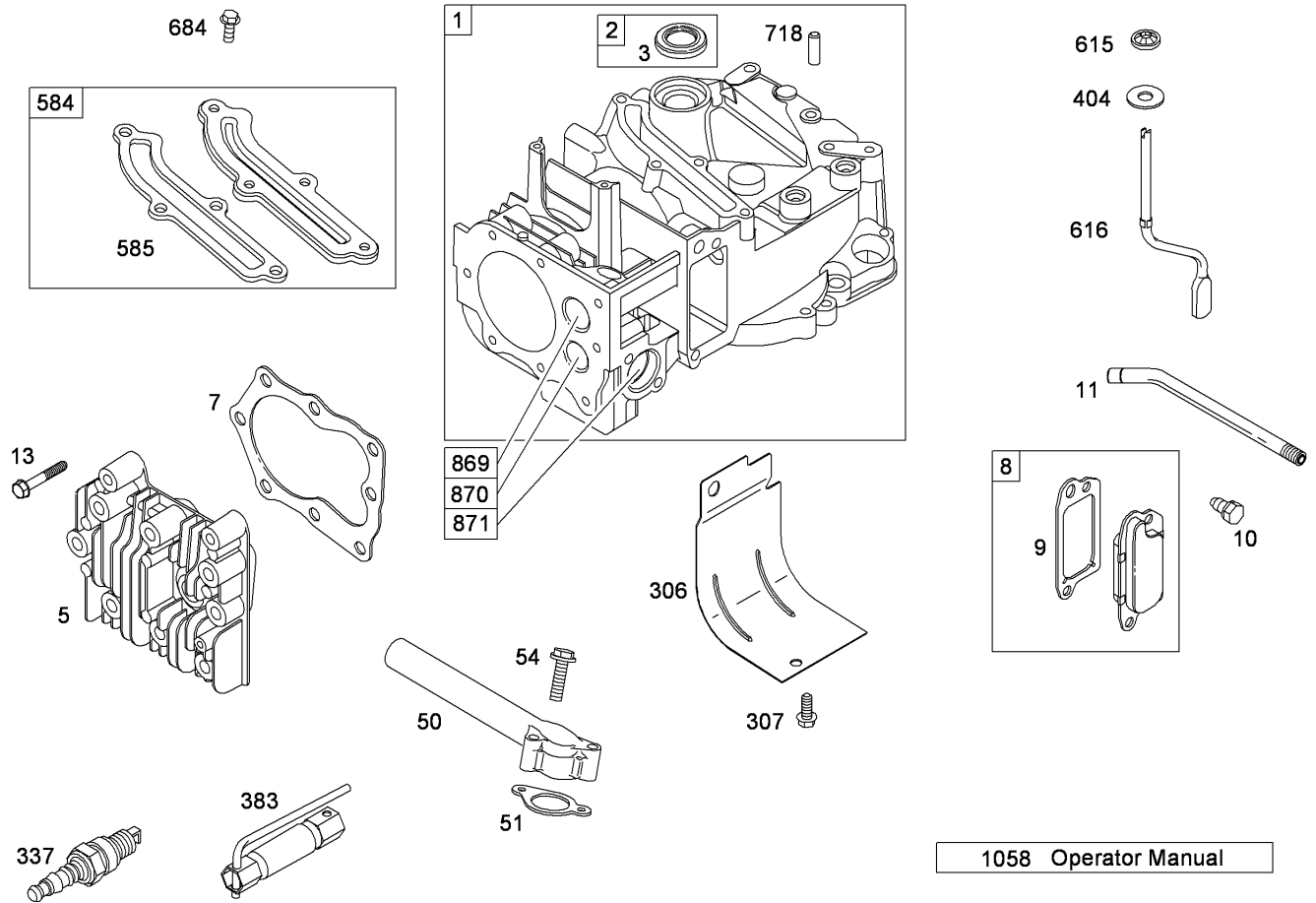


## Handle Assembly

Ref	Part No.	Qty.	Description
1	108-8156	1	Cable-Brake
2	108-8162	2	Knob-Locking
3	108-9789-05	1	Handle-Upper
4	106-8330	1	Guide-Rope
5	3256-1	2	Washer-Flat
6	3296-73	2	Nut-Lock, NI
8	114-7923-03	1	Bail-Brake
9	108-9790-03	1	Bail-Traction
11	95-4453	1	Screw
12	92-7729	1	Anchor-Cable, Upper
13	105-1845	1	Cable-Traction
14	112-8876	2	Screw-Handle
15	112-6440-05	1	Handle-Lower
16	106-6805	2	Guide-Cable
18	614249	1	Strap-Tie
24	108-9788	2	Anchor-Bag
25	32144-110	2	Screw-HWH

--	--	--	--





Assemblies include all parts shown in frames

## Cylinder Assembly Briggs and Stratton 124T02-0215-B1

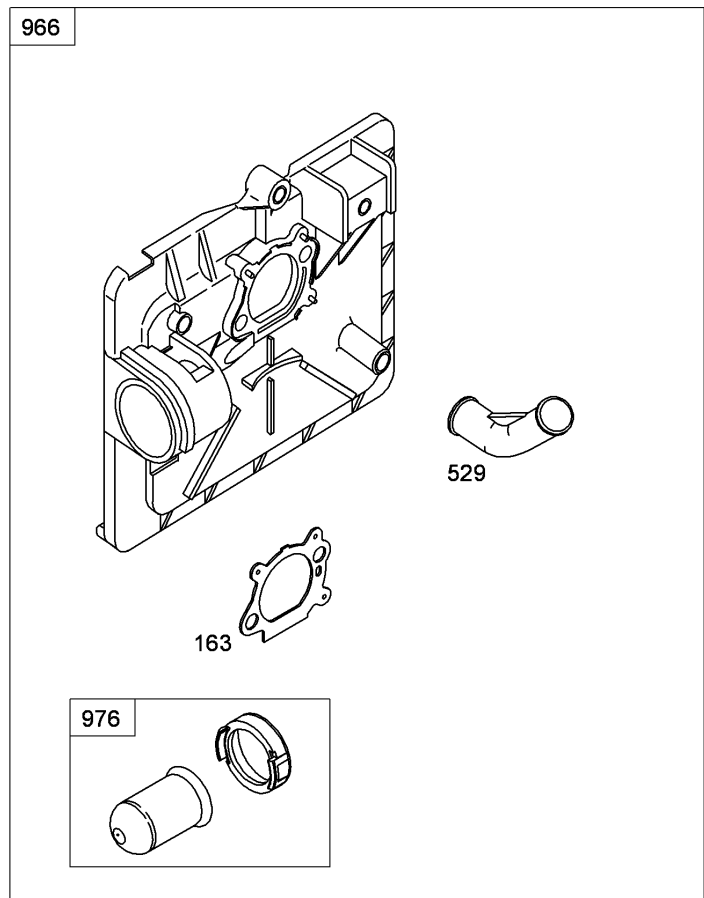
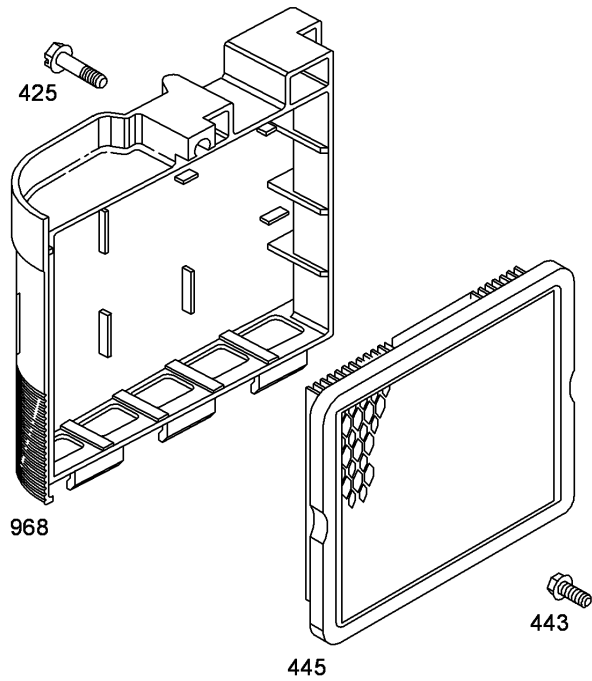
Ref	Part No.	Qty.	Description
1	697322	1	Cylinder ASM
2	399269	1	Bushing And Seal Kit
3	299819s	1	Seal-Oil (Magneto Side)
5	691160	1	Head-Cylinder
7	692249	1	Gasket-Head, Cylinder
8	695250	1	Breather ASM
9	696125	1	Gasket-Breather
10	691125	1	Screw (Breather ASM)
11	691781	1	Tube-Breather
13	690912	1	Screw (Cylinder Head)
50	497465	1	Manifold-Intake
51	272199s	1	Gasket-Intake
54	691650	1	Screw (Intake Manifold)
306	690450	1	Shield-Cylinder
307	690345	1	Screw (Cylinder Shield)
337	802592s	1	Plug-Spark
383	89838s	1	Wrench-Spark Plug
404	690272	1	Washer (Governor Crank)
584	697734	1	Cover-Passage, Breather
585	691879	1	Gasket-Passage, Breather
615	690340	1	Retainer-Shaft, Governor
616	698801	1	Crank-Governor
684	690345	1	Screw (Breather Passage Cover)
718	690959	1	Pin-Locating

Ref	Part No.	Qty.	Description
869	691155	1	Seat-Valve (Intake)
870	690380	1	Seat-Valve (Exhaust)
871	262001	1	Bushing-Guide (Exhaust)
871	63709	1	Bushing-Guide (Intake)
1058	277039TRI	1	Operator Manual









Assemblies include all parts shown in frames

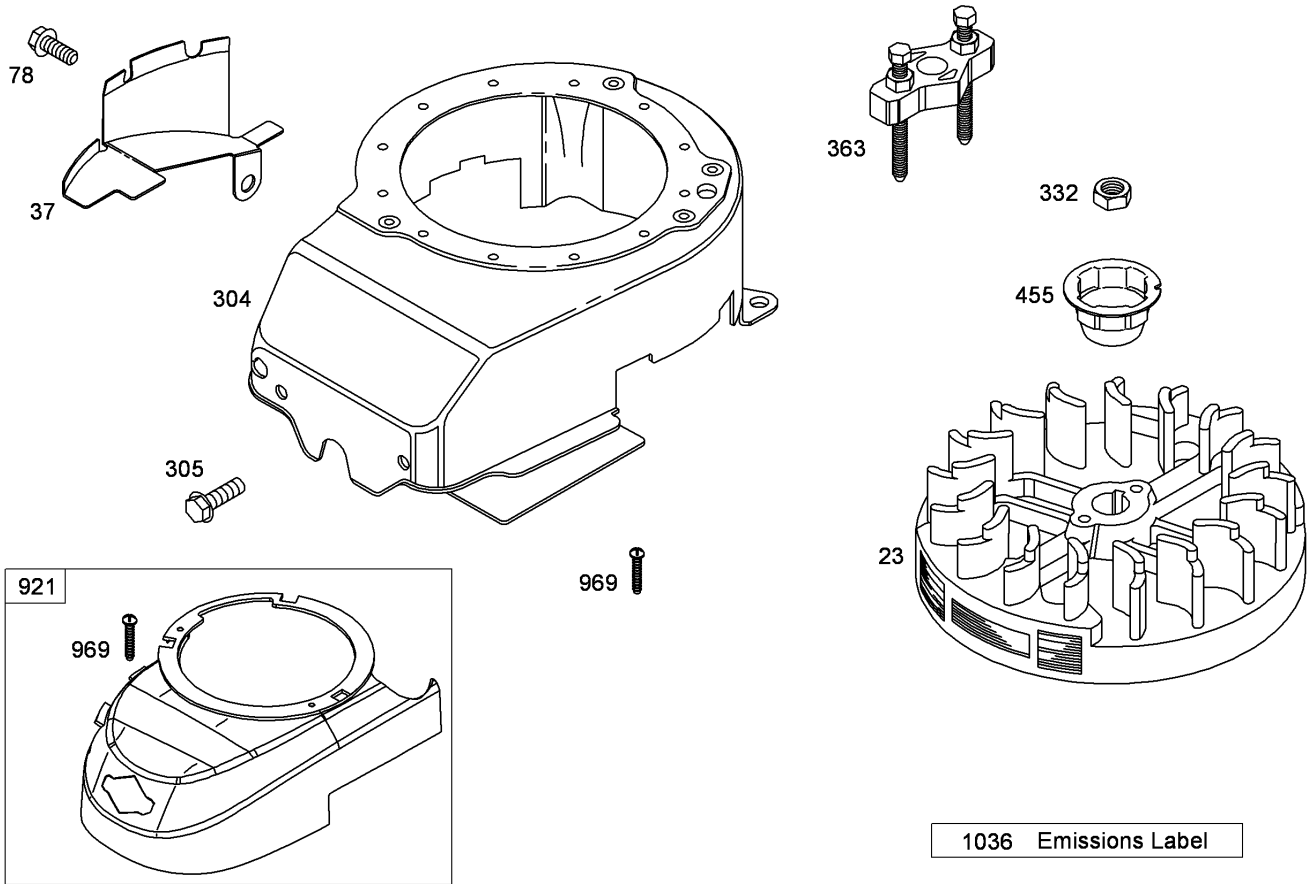
## Air Cleaner Assembly Briggs and Stratton 124T02-0215-B1

Ref	Part No.	Qty.	Description
② ③ 163 ① ⑤	272653s	1	Gasket-Cleaner, Air
② 425	690670	1	Screw (Air Cleaner Cover)
② 443	692523	1	Screw (Air Cleaner Primer Base)
② 445	491588s	1	Filter-Cartridge, Air Cleaner
② 529	691923	1	Grommet
② 966	792040	1	Base-Primer, Air Cleaner
② 968	692298	1	Cover-Cleaner, Air
② 976	694395	1	Primer-Carburetor

--	--	--	--





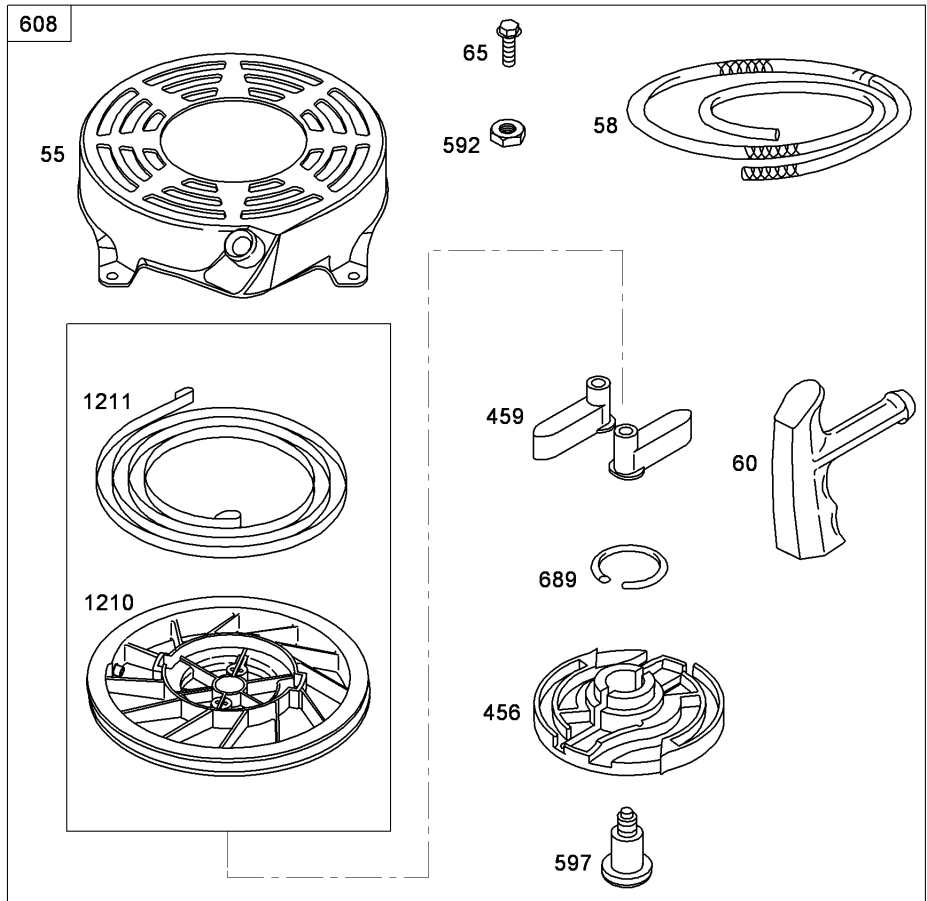


Assemblies include all parts shown in frames

## Blower Housing Assembly Briggs and Stratton 124T02-0215-B1

Ref	Part No.	Qty.	Description
23	691987	1	Flywheel
37	694086	1	Guard-Flywheel
78	691108	1	Screw (Flywheel Guard)
304	694769	1	Housing-Blower
305	691108	1	Screw (Blower Housing)
332	690662	1	Nut (Flywheel)
363	19069	1	Puller-Flywheel
455	791760	1	Cup-Flywheel
921	790036	1	Cover-Housing, Blower
969	691138	1	Screw (Blower Housing Cover)
1036		1	Label-Emissions

--	--	--	--



Assemblies include all parts shown in frames

## Starter Assembly Briggs and Stratton 124T02-0215-B1

Ref	Part No.	Qty.	Description
55	691421	1	Housing-Starter, Rewind
58	697316	1	Rope-Starter (Cut To Required Length)
60	281434s	1	Grip-Rope, Starter
65	690837	1	Screw (Rewind Starter)
456	692299	1	Plate-Friction, Pawl
459	281505s	1	Ratchet-Pawl
592	690800	1	Nut (Rewind Starter)
597	691696	1	Screw (Pawl Friction Plate)
608	497680	1	Starter-Rewind
689	691855	1	Spring-Friction
1210	498144	1	Pulley And Spring ASM (Pulley)
1211	498144	1	Pulley And Spring ASM (Spring)

--	--	--	--





# Attachments and Accessories

## For 20110 - 22in Recycler Lawn Mower

Product Name	Model/Part
Loose Parts Kit .....	115-1969
Replacement Bag .....	59303
Bagger Kit .....	59304
22 Inch Blade Kit .....	59534

# NOTES

# NOTES

