



Z590-D Z Master[®] With 60in TURBO FORCE[®] Side Discharge Mower

Model No. 74268 - 280000001 and up.

Parts Catalog

Ordering Replacement Parts

To order replacement parts, please supply the part number, the quantity, and the description of each part desired.

Understanding Reference Numbers

Each identified part in an illustration has a reference number. The reference number for a part also appears in the parts list, along with other information about the part.

This catalog uses two special reference number formats, one to indicate parts in a service assembly and another to indicate the quantity of a given part in an illustration.

Service Assembly Reference Numbers

Parts in service assemblies have reference numbers in the form a:b. The a represents the reference number of the entire service assembly and the b represents a sequential number unique to each part within the service assembly.

For example, a wheel assembly might be identified by reference number 6, the tire by 6:1, the valve by 6:2, and the wheel by 6:3. When you order the assembly identified by reference number 6, you receive all parts identified by reference numbers 6:1, 6:2, and 6:3. However, you may also order any part individually. Reference numbers of this type appear in illustrations and in part lists.

Reference Numbers Indicating Quantity

In an illustration, if a reference number indicates more than one part, the reference number has the form nX y. The n represents the quantity of the part, the X is the multiplication symbol, and the y represents the reference number.

For example, in an illustration, the reference number 2X 37 means that two of the parts identified by reference number 37 are indicated.

Contents

Description	Page	Description	Page
Front Frame Assembly 3	Hood Assembly 25
Caster Wheel and Z Stand Assembly 5	Deck Connection Assembly 26
Engine Frame, Console and Floor Pan Assembly 6	Deck Assembly 27
Seat and Roll-Over Protection System Assembly 7	Spindle Assembly No. 108-7713 29
Deluxe Seat Assembly No. 110-0838 8	Lever Assembly No. 107-1664 30
Roll-Over Protection System Assembly No. 106-7437 9	Rubber Deflector Assembly No. 108-2792 31
Wheel and Brake Assembly 10	Deck Decal Assembly No. 112-8060 32
Motion Control Assembly 11	Electrical Assembly 33
RH Motion Control Assembly No. 109-3978 12	Cylinder Assembly 35
LH Motion Control Assembly No. 109-3979 13	Crankshaft Assembly 36
Engine Mount Assembly 14	Cylinder Head Assembly 37
Wheel Pump Drive Assembly 15	Injection Pump Assembly 38
Deck Belt Drive Assembly 16	Camshaft Assembly 39
Cooling Pump Drive Assembly 17	Oil Pan Assembly 40
Hydraulic System Assembly 18	Gear Cover Assembly 41
Tank and Fuel Line Assembly 20	Gear Housing Assembly 42
Front and Rear Engine Cover Assembly 22	Water Pump Assembly 43
Cooling System Assembly 24	Manifold Assembly 44
		Starter Motor and Alternator Assembly 45
		Gasket Assembly 46
		Attachments and Accessories List 47

Part Description Abbreviations

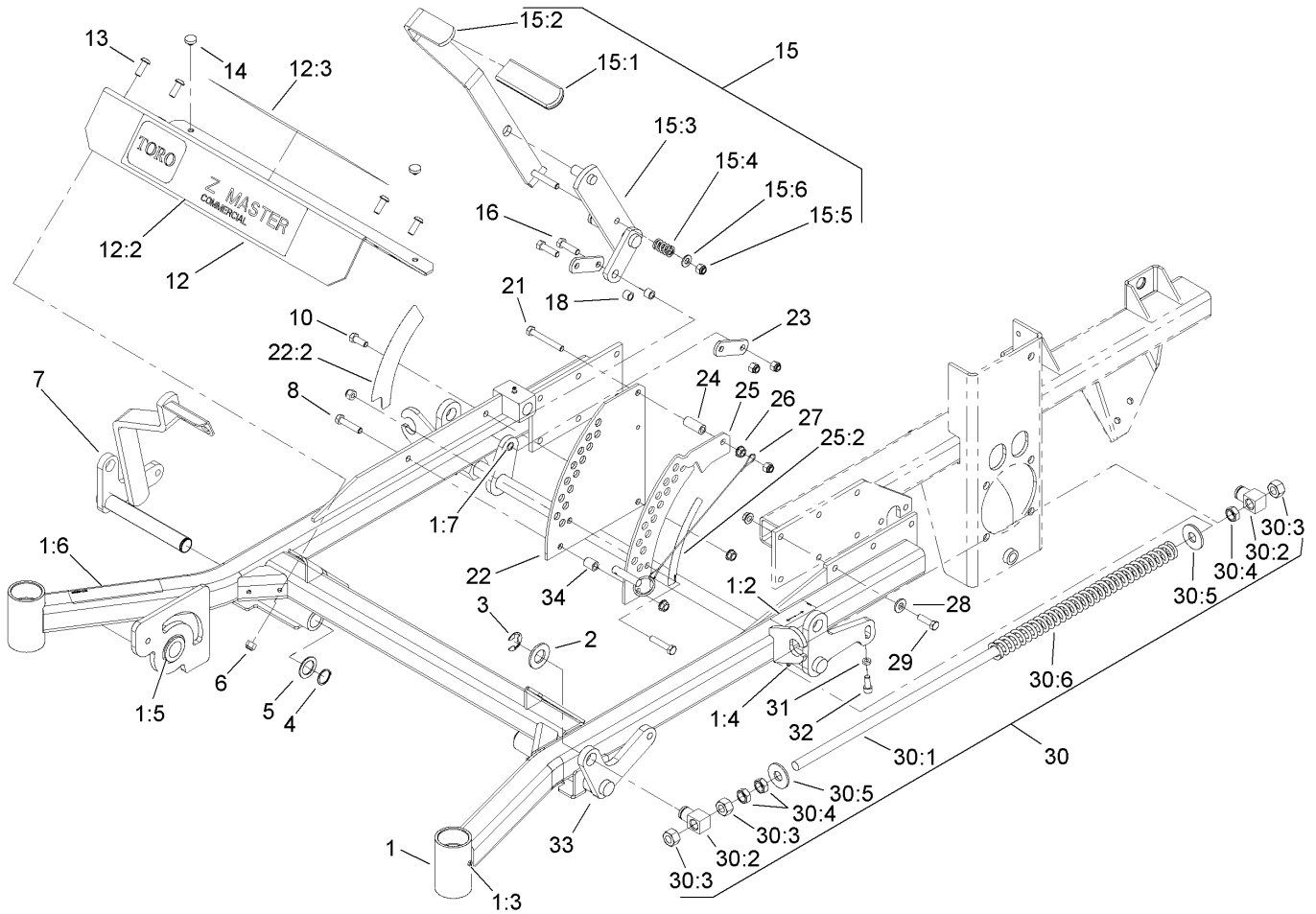
Part descriptions in this catalog may include the following abbreviations.

AR. as required	HYD. hydraulic
ASM. assembly	LH. left hand
BBC. blade brake clutch	NI. nylon insert
CARR. carriage	NPTF. national pipe thread fine
DEG. degrees	PFH. phillips flat head
EXT. external	PPH. phillips pan head
FH. flat head	PPHTF. phillips pan head thread forming
GA. gauge	PRH. phillips round head
HD. heavy-duty	PTH. phillips truss head
HF. hex flange	PTO. power-take-off
HH. hex head	RH. right hand
HHF. hex head flange	ROPS. roll-over protection system
HHFTF. hex head flange thread forming	SFH. slotted fillister head
HJ. hex jam	SHH. slotted hex head
HLH. hex lag head	SHWH. slotted hex washer head
HOC. height-of-cut	SPH. slotted pan head
HSBH. hex socket button head	SQH. square head
HSFH. hex socket flat head	SRH. slotted round head
HSH. hex socket head	STD. standard
HWH. hex washer head	TAP. self tapping
HWHTF. hex washer head thread forming	TTH. torx truss head

Footnotes

❶ Not illustrated

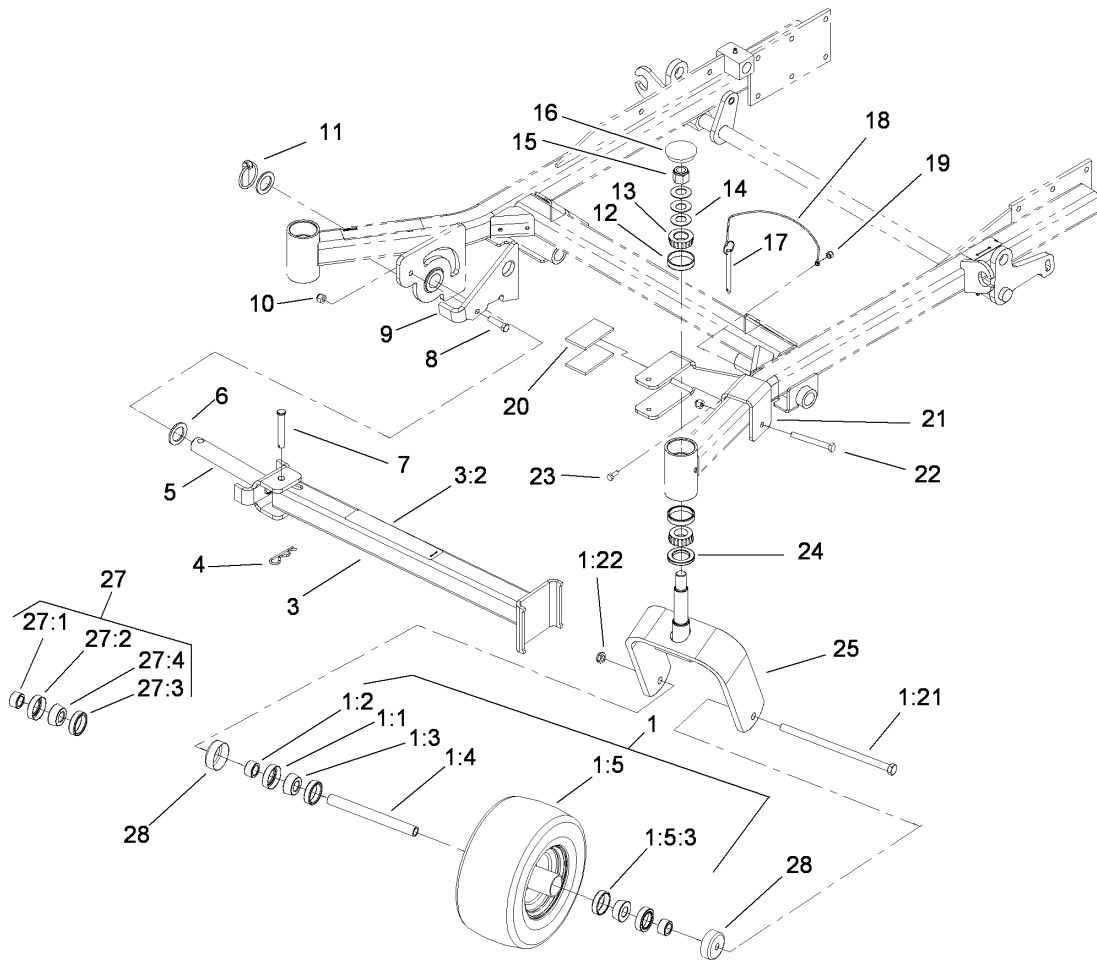
❷ Not serviced separately



Front Frame Assembly

Ref	Part No.	Qty.	Description
1	106-8998	1	Frame ASM
1:2	107-1857	1	Decal-Brake, Parking
1:3	1-811010	2	Plug
1:4	302-19	5	Fitting-Grease
1:5	94-1291	2	Bushing
1:6	104-7759	1	Decal-Warning
1:7	103-1918	1	Bushing
2	3256-29	4	Washer-Flat
3	32151-103	5	Ring-Retaining, EXT
4	32151-29	2	Ring-Retaining
5	1-523157	2	Washer-Spacer
6	3296-39	8	Nut-Lock, NI
7	108-7786-01	1	RH Front Deck Lift ASM
8	323-9	2	Screw-HH
10	323-6	1	Screw-HH
12	106-9981	1	Footrest
12:2	106-7451	1	Decal
12:3	107-2112	1	Decal-Warning
13	3274-94	4	Screw-HSBH
14	1-513658	2	Bumper
15	110-5860	1	Deck Lift Handle ASM
15:1	1-633295	1	Grip-Lever, Lift
15:2	103-2083	1	Lever-Lift
15:3	103-2064	1	Arm-Lift, Deck

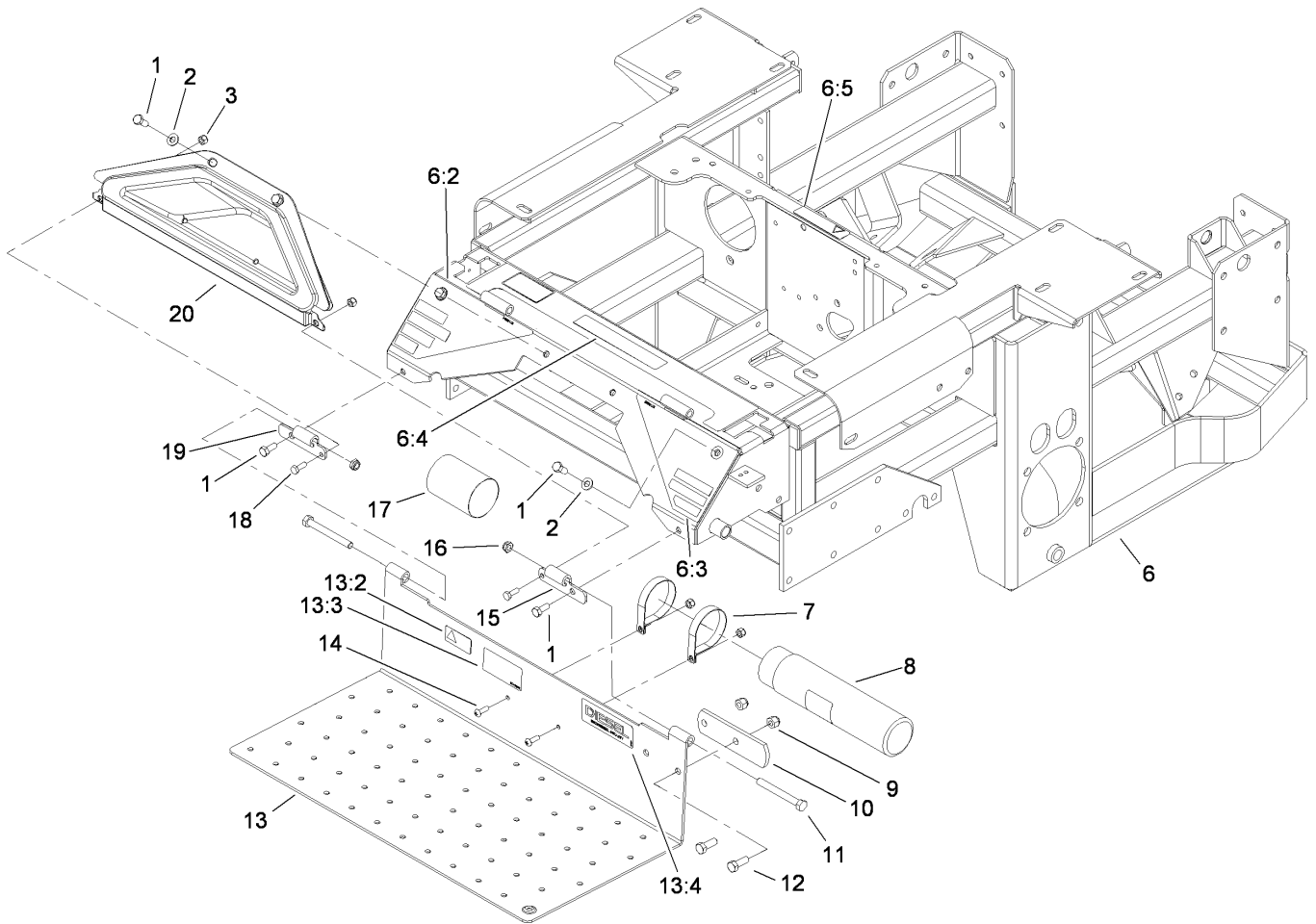
Ref	Part No.	Qty.	Description
15:4	1-633325	1	Spring-Compression
15:5	3296-39	1	Nut-Lock, NI
15:6	3256-24	1	Washer-Flat
16	323-29	2	Screw-HH
18	103-1918	2	Bushing
21	323-13	1	Screw-HH
22	110-0833	1	Plate-Deck Lift, Outer
22:2	107-1860	1	Decal-Height, Deck
23	1-633068	2	Arm-Lift, Deck
24	1-633082	1	Bushing-Lever, Lift
25	110-0834	1	Plate-Deck Lift, Inner
25:2	107-1861	1	Decal-Height, Deck
26	3290-357	15	Nut-HHF, Whiz
27	106-9951	1	Hitch Pin ASM
28	98-5975	12	Washer-Belleville
29	323-7	12	Screw-HH
30		2	Front Frame Spring ASM
30:1	1-633096	1	Rod-Lift, Deck
30:2	1-633441	2	Swivel-Deck Mount, Rear
30:3	3217-11	3	Nut-Hex
30:4	3218-6	3	Nut-Jam
30:5	3256-7	2	Washer-Flat
30:6	1-643015	1	Spring-Support, Deck
31	3218-2	2	Nut-Jam



Caster Wheel and Z Stand Assembly

Ref	Part No.	Qty.	Description
1	110-5746	2	Castor Wheel ASM
1:1	1-633580	2	Seal-Bearing
1:2	1-633581	2	Spacer-Bearing
1:3	1-633585	2	Bearing-Cone, Taper
1:4	1-633959	1	Spacer-Caster, Front
1:5	110-5744	1	Wheel And Tire ASM (Semi-Pneumatic)
1:5:3	1-633584	1	Bearing-Cup
1:21	325-24	1	Screw-HH
1:22	3296-45	1	Nut-Lock, NI
3	107-1874	1	Leg ASM
3:2	106-7464	1	Decal-Z Stand
4	3290-355	1	Pin-Hair
5	100-9692-01	1	Pivot Pin ASM
6	3-6781	2	Washer-Thrust
7	283-55	1	Pin-Clevis
8	323-8	1	Screw-HH
9	100-9686-01	1	Bracket-Latch
10	3296-39	2	Nut-Lock, NI
11	283-71	1	Pin-Lynch
12	254-72	4	Bearing-Cup, Tapered
13	254-94	4	Bearing-Cone, Tapered
14	1-633508	6	Washer-Bellville
15	3296-51	2	Nut-Lock, NI

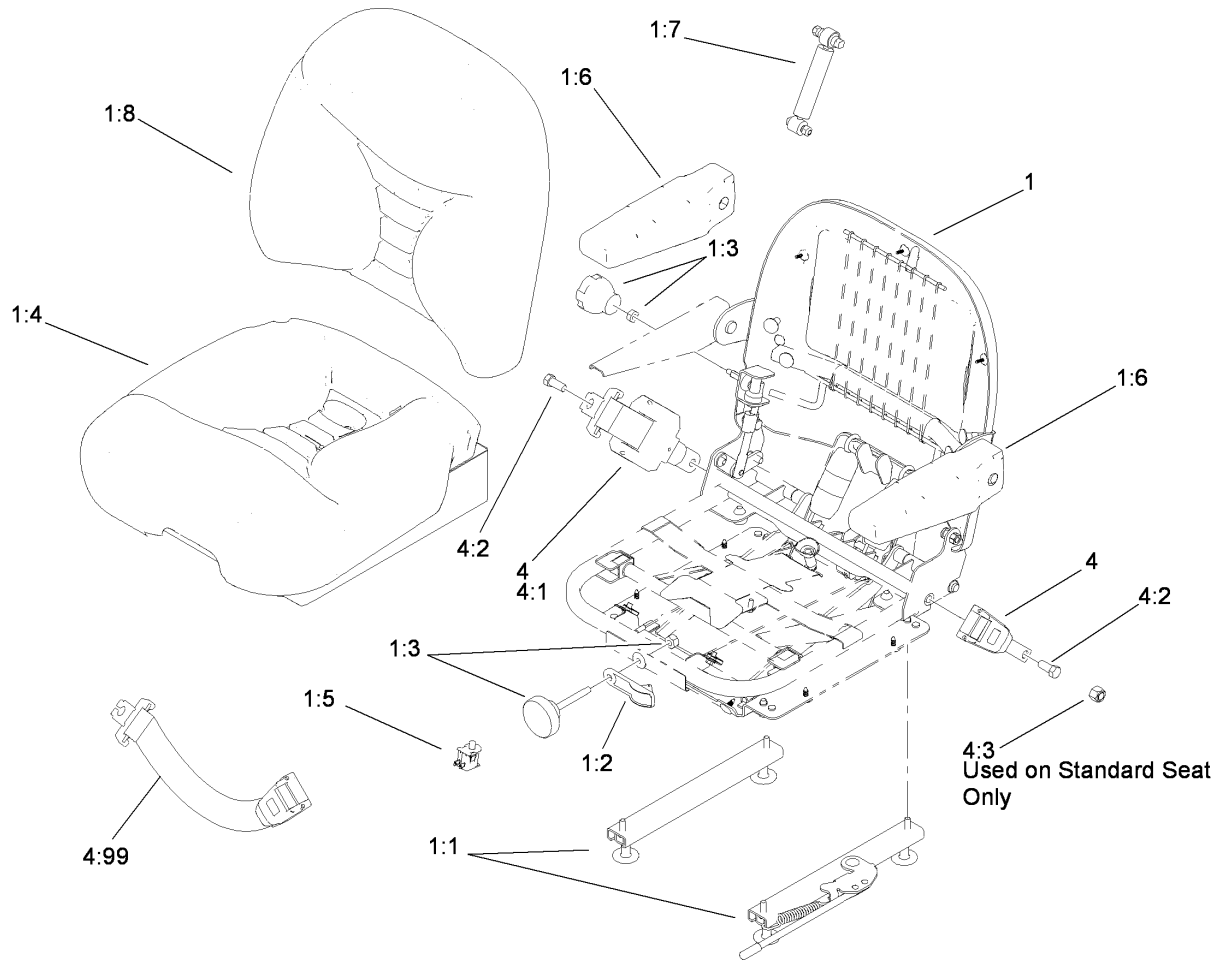
Ref	Part No.	Qty.	Description
16	103-4882	2	Cap-Grease
17	105-1647	1	Pin-Hitch, Cotterless
18	100-9385	1	Lanyard-Nylon
19	3296-42	1	Nut-Lock, NI
20	100-6547	2	Cushion-Rubber
21	100-6542-01	1	Bracket-Cradle
22	323-20	1	Screw-HH
23	321-4	1	Screw-HH
24	1-543511	2	Seal-Grease
25	103-1474-01	2	Fork-Caster
27	110-8837	1	Caster Wheel Bearing Kit
27:1	1-633581	2	Spacer-Bearing
27:2	1-633580	2	Seal-Bearing
27:3	1-633584	2	Bearing-Cup
27:4	1-633585	2	Bearing-Cone, Taper
28	103-2768	2	Guard-Seal



Engine Frame, Console and Floor Pan Assembly

Ref	Part No.	Qty.	Description
1	322-43	6	Screw-HH
2	3256-70	4	Washer-Flat
3	3296-42	4	Nut-Lock, NI
6	115-3551	1	Engine Frame ASM
6:2	106-9989	1	Decal-Warning
6:3	106-7492	1	Decal-Danger
6:4	107-9866	1	Decal-Console, Top
6:5	98-5954	2	Decal-Cover, Missing
7	107-1865	2	R-Clamp
8	104-7050	1	Housing-Manual
9	3296-39	2	Nut-Lock, NI
10	1-633964-03	1	Stop-Brake, Park
11	323-20	2	Screw-HH
12	323-6	2	Screw-HH
13	115-3852	1	Floor Pan ASM
13:2	98-4387	1	Decal-Protection, Ear
13:3	107-1864	1	Decal-Location, Manual
13:4	114-5879	1	Decal-Diesel, Bio-Ready
14	3258-166	2	Screw-PRH
15	106-7488-03	1	Hinge-Floorpan, LH
16	3296-59	2	Nut-Lock, NI
17	104-7048	1	Cap-Housing
18	321-4	2	Screw-HH
19	106-7489-03	1	Hinge-Floorpan, RH

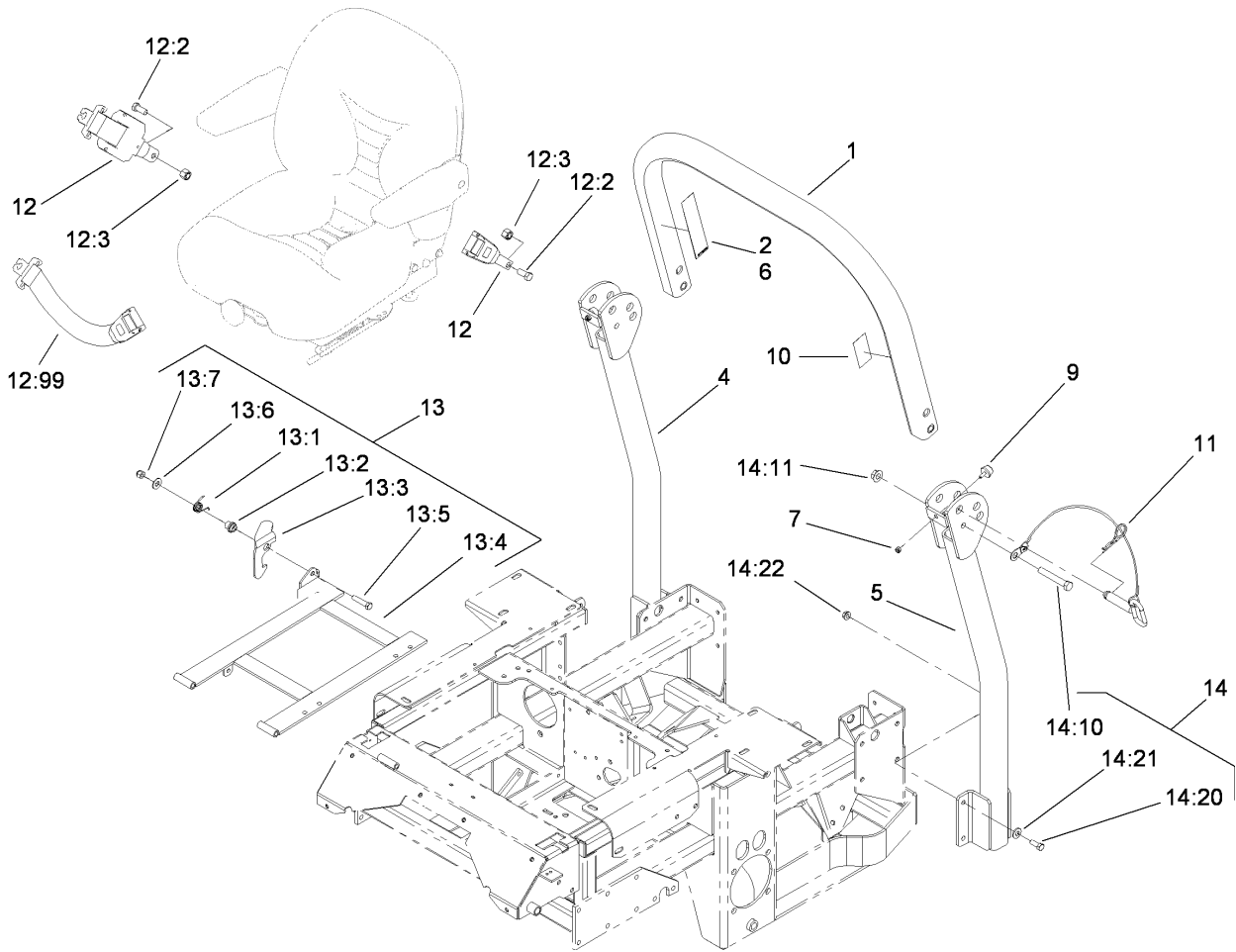
Ref	Part No.	Qty.	Description
20	106-7498	1	Pocket



Deluxe Seat Assembly No. 110-0838

Ref	Part No.	Qty.	Description
1	112-8355	1	Seat-Suspension
1:1	107-1880	1	Seat Track Kit
1:2	107-1885	1	Weight Indicator Kit
1:3	107-1881	1	Knob Kit
1:4	107-1883	1	Bottom Cushion Kit
1:5	82-2190	1	Switch-Bail
1:6	107-1887	1	Armrest Kit
1:7	107-1884	1	Shock Absorber Kit
1:8	112-8356	1	Cushion-Back
4	110-0883	1	Retractable Seatbelt Kit
4:1		1	Seatbelt-Retractable
4:2	3212-4	2	Screw-HH
4:3	3296-7	2	Nut-Lock
4:99	109-6226	1	Seat Belt Extension Kit

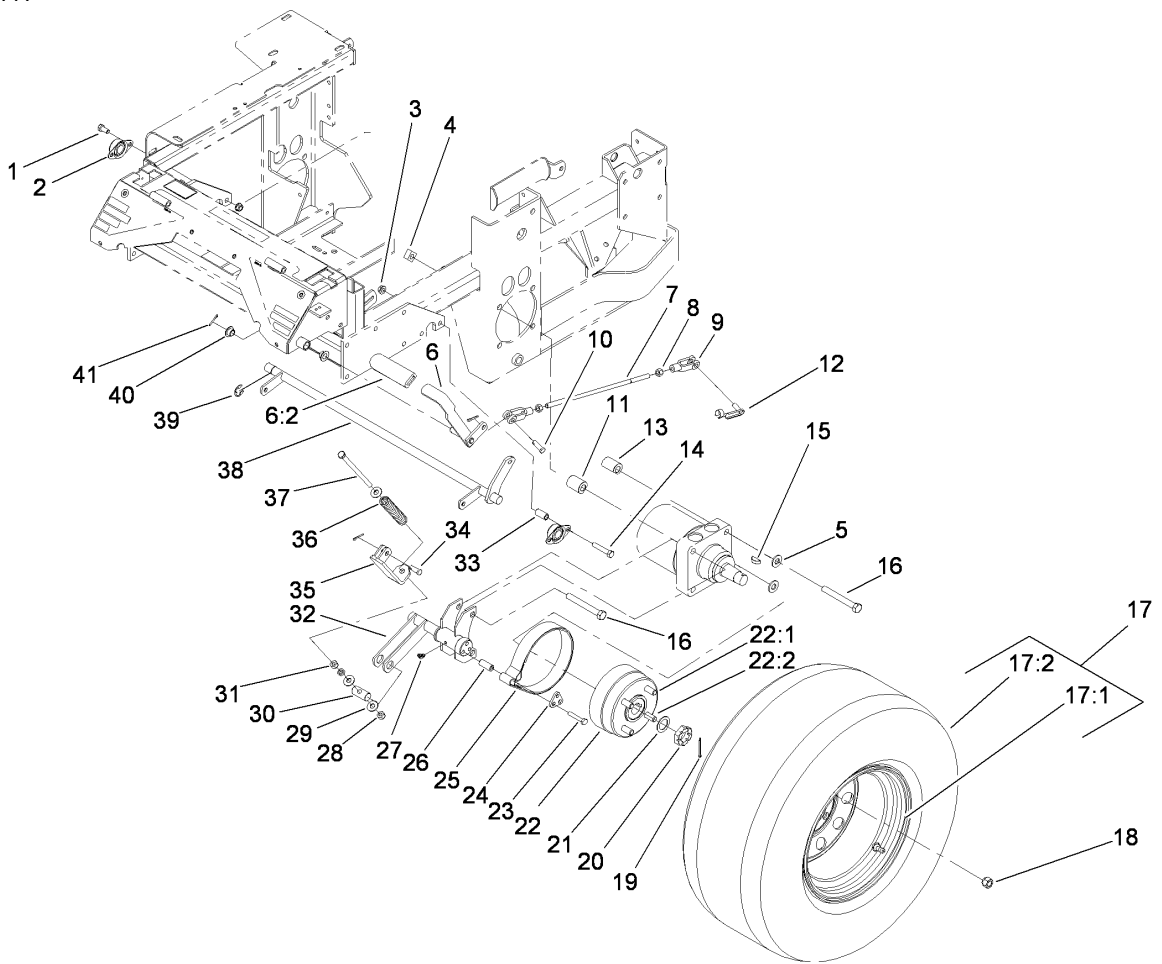
--	--	--	--



Roll-Over Protection System Assembly No. 106-7437

Ref	Part No.	Qty.	Description
②1		1	Upper Tube ASM
2	107-2102	1	Decal-Warning, Folding ROPS
②4		1	Tube-Support, RH
②5		1	Tube-Support, LH
6	107-3069	1	Decal-Warning, Folding ROPS (Ce)
7	3296-73	2	Nut-Lock, NI
9	109-2365	2	Bumper-Rubber (W/Stud)
10	107-2101	1	Decal-ROPS
11	103-4553	2	ROPS Fold Pin ASM
12	110-0883	1	Retractable Seatbelt Kit
②12:1		1	Seatbelt-Retractable
12:2	3212-4	2	Screw-HH
12:3	3296-7	2	Nut-Lock
12:99	109-6226	1	Seat Belt Extension Kit
13	109-1813	1	Seat Frame Single Latch ASM
13:1	103-5520	1	Catch-Latch, Single
13:2	103-5519	1	Spring-Torsion, Latch
13:3	107-0075	1	Bushing-Latch, Seat
13:4	109-9222-03	1	Wld,Seat Frame
13:5	3256-4	1	Washer-Flat
13:6	3296-39	1	Nut-Lock, NI
13:7	323-9	1	Screw-HH
②14		1	Bag-Bolt

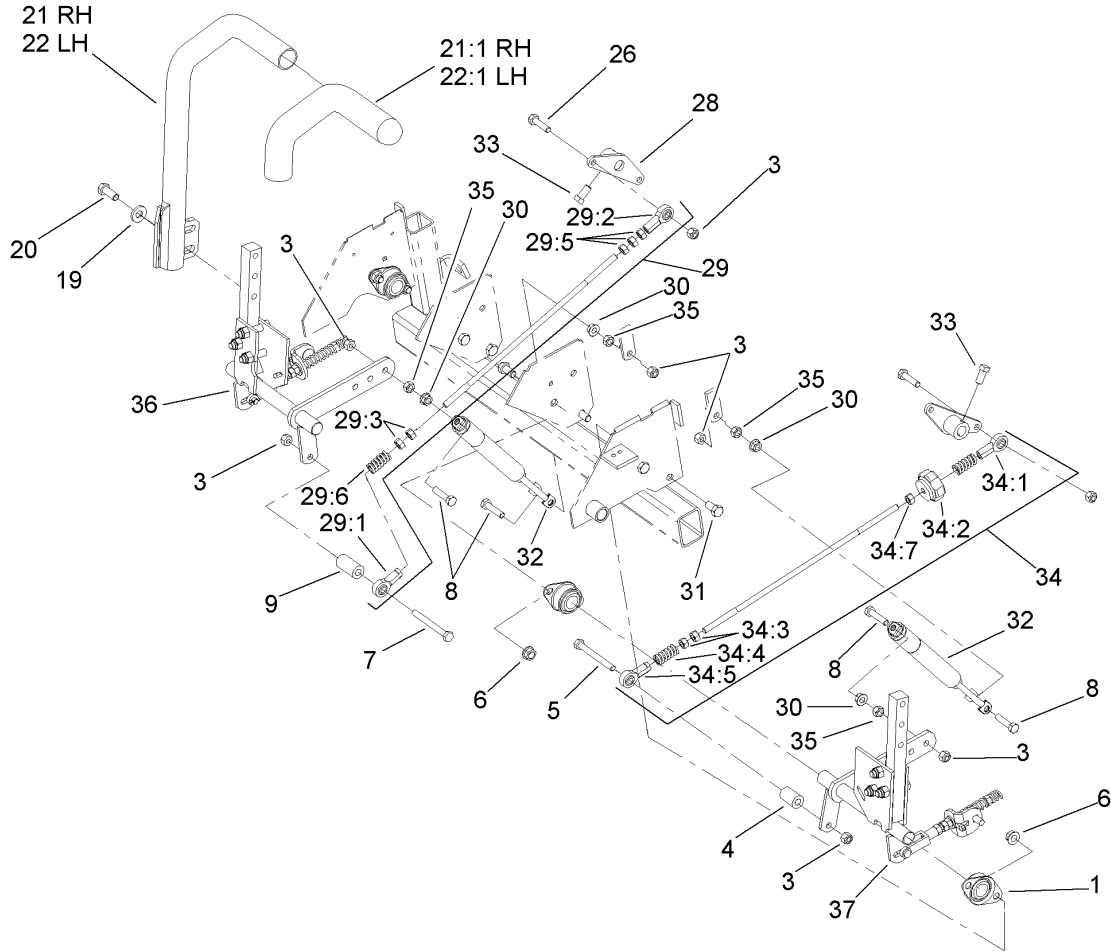
Ref	Part No.	Qty.	Description
14:10	325-13	2	Screw-HH
14:11	32128-23	2	Nut-HF
14:20	323-8	8	Screw-HH
14:21	98-5975	8	Washer-Belleville
14:22	3290-357	8	Nut-HHF, Whiz



Wheel and Brake Assembly

Ref	Part No.	Qty.	Description
1	323-4	2	Screw-HH
2	1-633102	2	Bearing-Flange, Side
3	3290-357	4	Nut-HHF, Whiz
4	109-5618	8	Nut,Square Special
5	87-7270	4	Washer-Thrust
6	103-0197	1	Brake Lever And Grip ASM
6:2	1-633268	1	Grip-Lever, Brake
7	103-1708	1	Rod-Brake
8	3219-3	2	Nut-Hex
9	1-633131	2	Yoke-Linkage, Brake
10	1-808285	1	Pin-Clevis
11	114-1184	4	Spacer-Wheel, Short
12	103-2399	1	Pin-Spring, Clevis
13	114-1185	4	Spacer-Wheel, Long
14	323-10	2	Screw-HH
15	3257-42	2	Key-Woodruff
16	325-17	8	Screw-HH
17	109-3157	2	Wheel And Tire ASM
17:1	109-3156	1	Wheel
17:2	103-4963	1	Tire
18	242-50	8	Nut-Lug
19	1-806800	2	Pin-Cotter
20	1-809036	2	Nut-HH
21	1-523157	2	Washer-Spacer

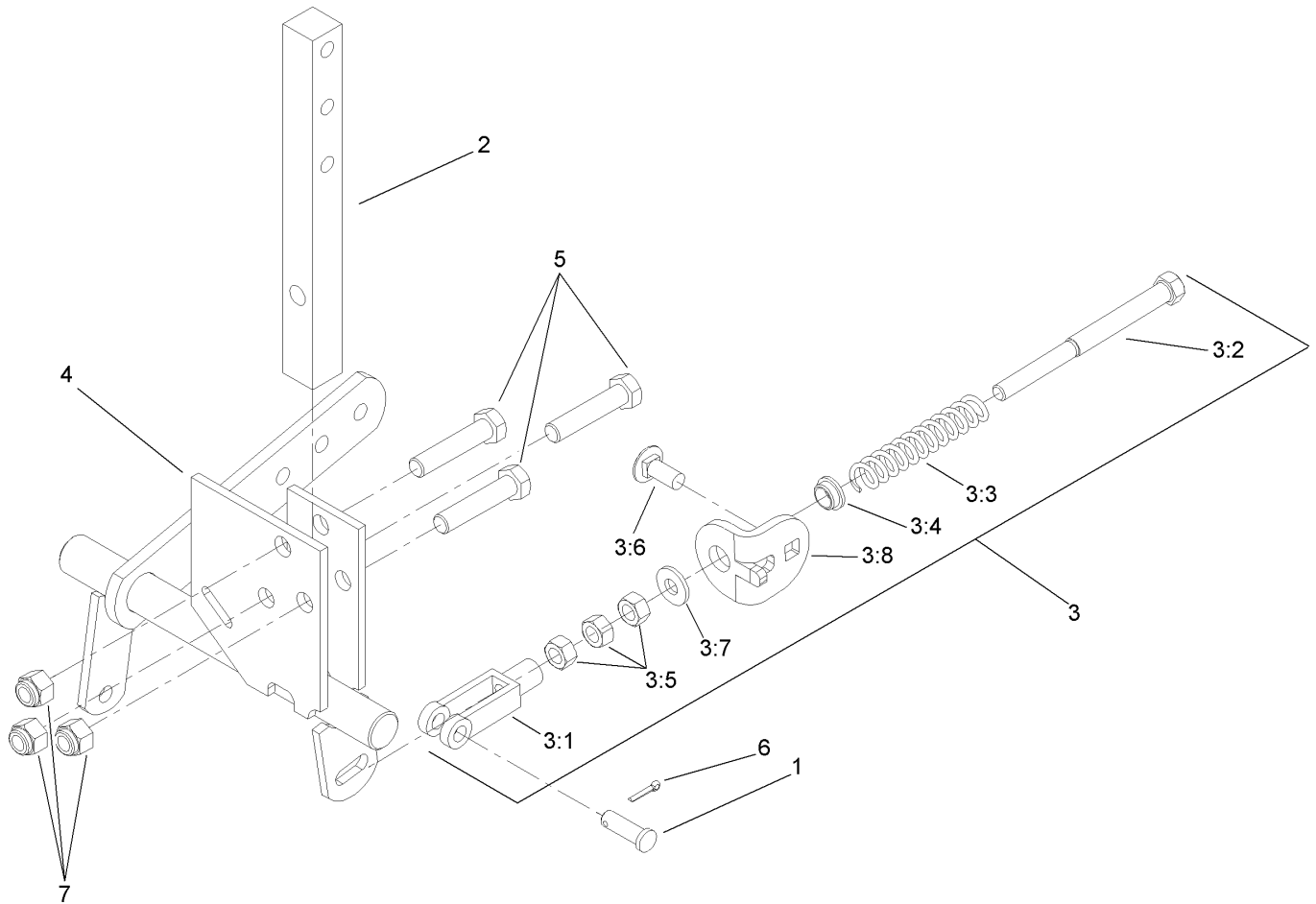
Ref	Part No.	Qty.	Description
22	103-0590	2	Hub And Wheel ASM
22:1	103-0589	1	Wheel Hub ASM
22:2	1-633926	4	Stud-Wheel
23	322-9	6	Screw-HH
24	103-0374	2	Retainer-Band, Brake
25	103-0355	2	Band-Brake
26	103-0384	6	Spacer
27	1481	2	Fitting-Grease
28	3296-39	4	Nut-Lock, NI
29	3256-4	6	Washer-Flat
30	1-633144	2	Pin-Trunion
31	3218-3	2	Nut-Jam
32	103-0844-03	2	Brake-Narrow
33	103-0051	2	Spacer-Retainer, Brake
34	1-808284	2	Pin-Clevis
35	103-1117-03	2	Linkage-Brake, Lower
36	1-633454	2	Spring-Brake
37	323-58	2	Bolt-TAP, HH
38	103-5243-03	1	Shaft-Brake
39	32151-48	1	E-Ring
40	1-513140	2	Bearing-Control
41	3272-10	4	Pin-Cotter



Motion Control Assembly

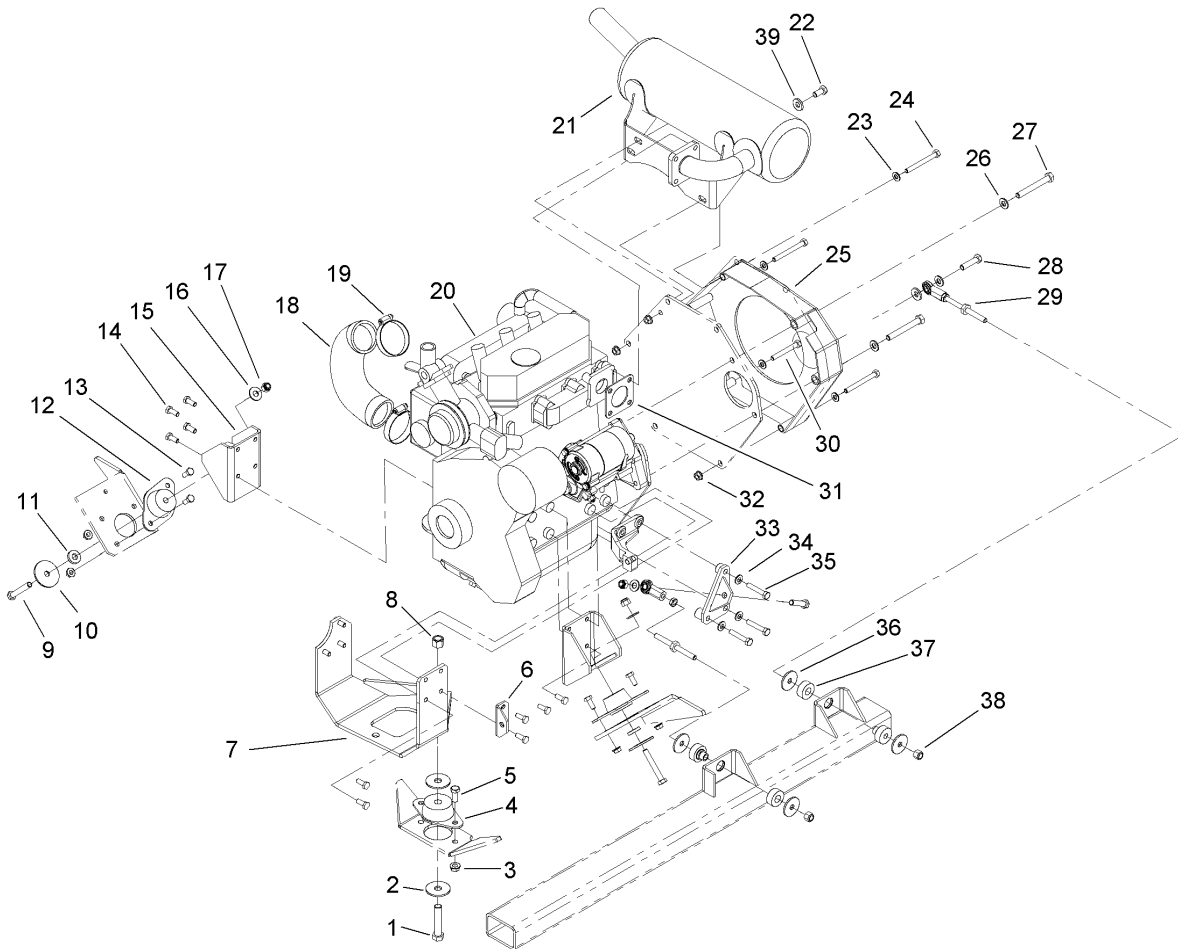
Ref	Part No.	Qty.	Description
1	1-633102	4	Bearing-Flange, Side
3	3296-29	8	Nut-Lock, NI
4	103-1361	1	Spacer-Hydro Control, LH
5	322-12	1	Screw-HH
6	3290-357	8	Nut-HHF, Whiz
7	322-14	1	Screw-HH
8	1-403180	4	Screw-HH
9	103-5192	1	Spacer-Control, HYD
19	98-5975	4	Washer-Belleville
20	323-6	4	Screw-HH
21	108-7237	1	RH Lever ASM
21:1	106-9987	1	Grip-Control, Motion
22	108-7238	1	LH Lever ASM
22:1	106-9987	1	Grip-Control, Motion
26	322-6	4	Screw-HH
28	103-0194-03	2	Arm-Control, Hydro
29	103-5190	1	RH HYD Connect Link ASM
29:1	1-543017	1	Balljoint-RH
29:2	1-633152	1	Balljoint-LH
29:3	1-804524	2	Nut
29:5	3219-2	3	Nut-Hex
29:6	1-323245	1	Spring-Compression
30	32128-20	6	Nut-HF
31	323-4	8	Screw-HH

Ref	Part No.	Qty.	Description
32	109-2339	2	Damper-Control, Motion
33	1-803022	2	Screw-Set
34	103-3062	1	Tracking Rod ASM
34:1	1-543017	1	Balljoint-RH
34:2	103-3060	1	Knob-Tracking
34:3	1-804524	2	Nut
34:4	1-323245	2	Spring-Compression
34:5	1-633152	1	Balljoint-LH
34:7	3219-2	1	Nut-Hex
35	3217-6	4	Nut-Hex
36	109-3978	1	RH Motion Control ASM
37	109-3979	1	LH Motion Control ASM



LH Motion Control Assembly No. 109-3979

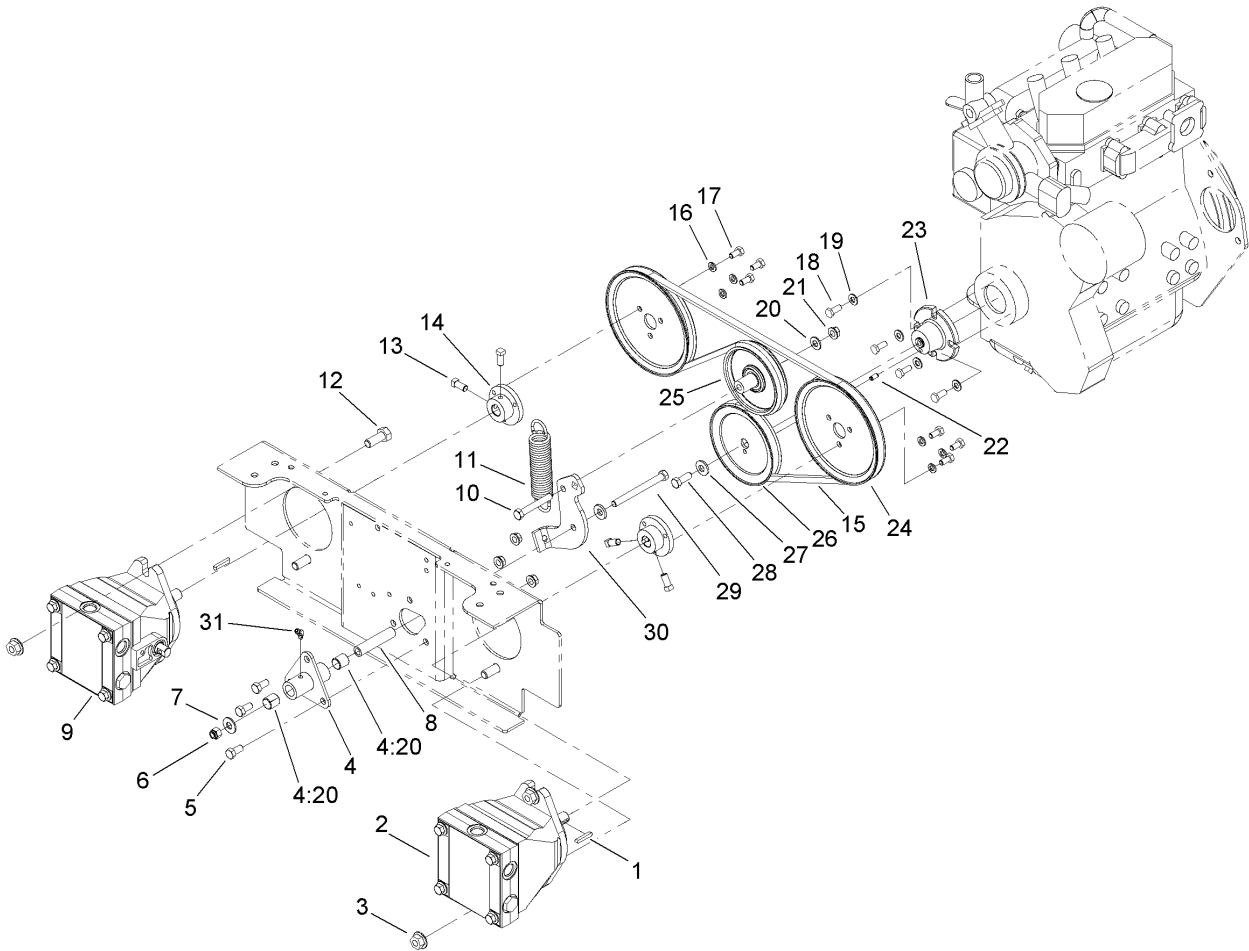
Ref	Part No.	Qty.	Description
1	1-808280	1	Pin-Clevis
2	103-0407	1	Arm-Shaft, Control
3	109-3903	1	Neutral Return ASM
3:1	1-303105	1	Yoke-Adjustable
3:2	1-603737	1	Bolt-Return, Neutral
3:3	1-603807	1	Spring-Return, Neutral
3:4	109-3769	1	Bushing-Nylon, Flanged
3:5	3219-2	3	Nut-Hex
3:6	3230-23	1	Screw-CARR
3:7	3256-2	1	Washer-Flat
3:8	109-3908	1	Tab-Adjustment
4	109-3983	1	Control-Motion, LH
5	323-9	3	Screw-HH
6	3272-5	1	Pin-Cotter
7	3296-39	3	Nut-Lock, NI



Engine Mount Assembly

Ref	Part No.	Qty.	Description
1	325-10	1	Screw-HH
2	86-1990	2	Washer
3	3290-357	2	Nut-HHF, Whiz
4	103-1022	1	Isolator-Rear
5	323-5	2	Screw-HH
6	103-3908	1	Bracket-Ground
7	103-0870-03	1	Rear Engine Mount ASM
8	3296-23	1	Nut-Lock, NI
9	323-12	2	Screw-HH
10	83-1040	2	Washer-Flat
11	66-6480	2	Washer
12	103-2613	2	Isolator-Side
13	322-3	4	Screw-HH
14	33114-020	15	Screw-HH
15	103-0839-03	2	LH And RH Engine Mount ASM
16	3256-4	2	Washer-Flat
17	3296-39	3	Nut-Lock, NI
18	103-0921	1	Hose
19	2412-42	2	Clamp-Hose
20	103-0888	1	Engine-Daihatsu
21	103-2592	1	Muffler Kit
22	98-5975	3	Washer-Belleville
23	3256-23	4	Washer-Flat
24	322-14	3	Screw-HH

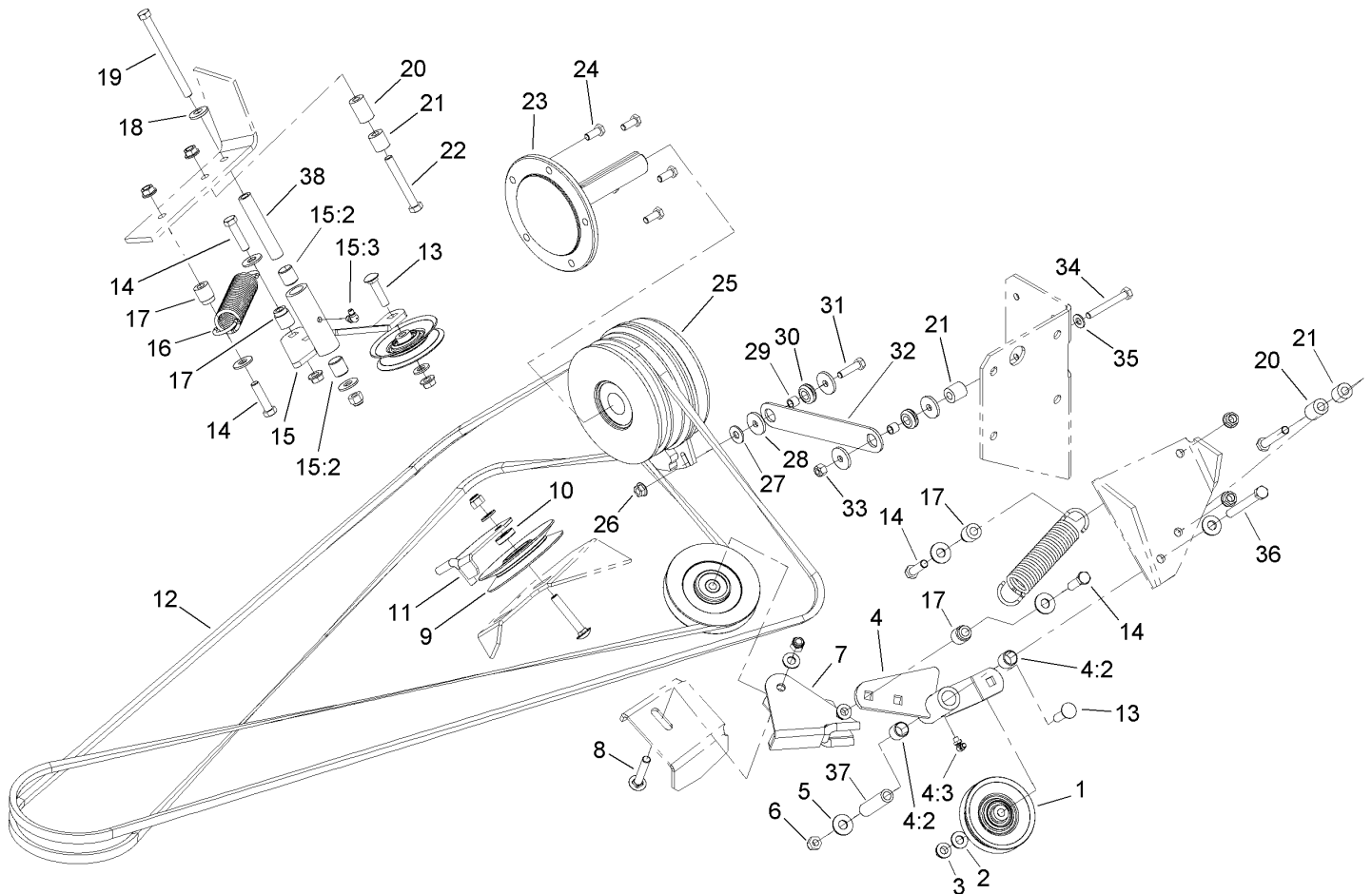
Ref	Part No.	Qty.	Description
25	103-3573-03	1	Cover-Flywheel
26	3256-24	4	Washer-Flat
27	56-2150	2	Screw-HH
28	323-8	2	Screw-HH
29	103-3745	2	Ball Joint Link ASM
30	322-12	1	Screw-HH
31	103-1385	1	Gasket-Muffler
32	32128-20	7	Nut-HF
33	103-3556-03	1	Bracket-Engine, Front
34	1-303334	3	Washer-Spring
35	33114-045	3	Screw-HH
36	93-6099	4	Washer
37	103-3568	2	Isolator-Link
38	3296-6	2	Nut-Lock
39	63-7790	2	Screw-Cap



Wheel Pump Drive Assembly

Ref	Part No.	Qty.	Description
1	103-2739	2	Key
2	103-2978	1	Pump-Hydro, LH
●2:1	100-6110	1	Overhaul Seal Kit
3	32128-49	4	Nut-HHF
4	103-4467	1	Pump Idler ASM
4:20	1-513034	2	Sleeve-Bearing
5	323-4	3	Screw-HH
6	3296-39	1	Nut-Lock, NI
7	3256-4	1	Washer-Flat
8	103-0919	1	Bushing-Tightener, Pivot
9	103-2979	1	Pump-Hydro, RH
●9:1	100-6110	1	Overhaul Seal Kit
10	323-12	1	Screw-HH
11	1-603413	1	Spring-Extension
12	325-5	4	Screw-HH
13	1-803050	4	Screw-Set
14	103-1471	2	Hub-Pump
15	107-7724	1	Belt-V
16	1-805005	6	Washer-Lock
17	322-2	6	Screw-HH
18	33114-020	4	Screw-HH
19	3256-23	4	Washer-Flat
20	3256-24	1	Washer-Flat
21	3290-357	4	Nut-HHF, Whiz

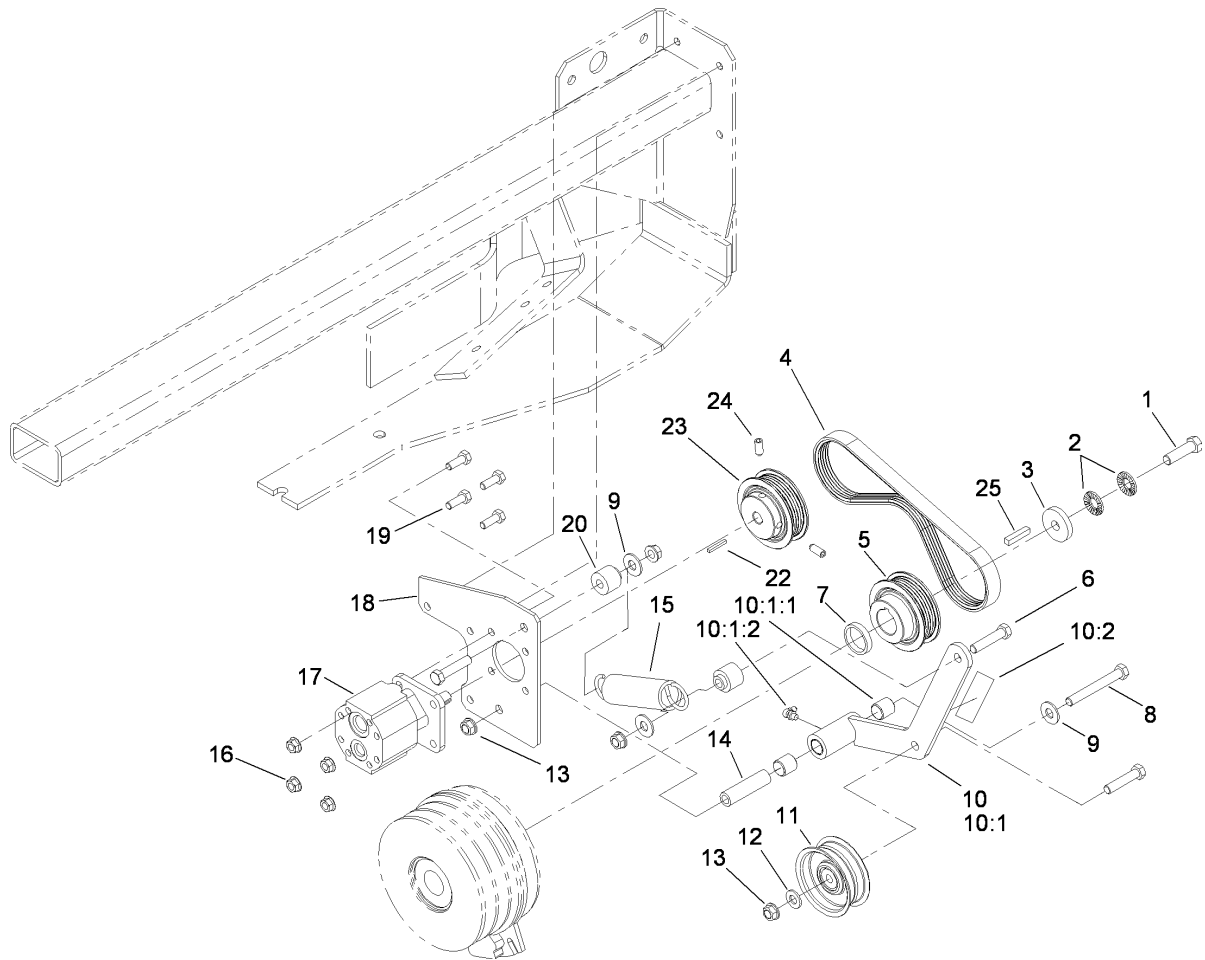
Ref	Part No.	Qty.	Description
22	103-1459	1	Pin-Roll
23	103-1421	1	Hub-Drive, Pump
24	103-1472	2	Sheave-Pump
25	103-4464	1	Idler-Pump
26	103-5164	1	Sheave-Engine
27	98-5975	2	Washer-Belleville
28	323-6	1	Screw-HH
29	323-16	1	Screw-HH
30	103-4463-03	1	Arm-Tightener, Pump
31	302-11	1	Fitting-Lube, 45 DEG



Deck Belt Drive Assembly

Ref	Part No.	Qty.	Description
1	103-0983	2	Sheave
2	3256-24	4	Washer-Flat
3	3290-357	7	Nut-HHF, Whiz
4	107-9851	1	LH Idler ASM
4:2	1-513034	2	Sleeve-Bearing
4:3	302-40	1	Fitting-Grease
5	3256-4	6	Washer-Flat
6	3296-39	4	Nut-Lock, NI
7	103-4011-03	1	Guard-Belt Sheave, LH
8	3231-40	2	Bolt-CARR
9	103-0984	2	Sheave
10	103-3186	1	Spacer-Bracket, Guide
11	103-4039-03	1	Guard-Belt Sheave, RH
12	107-7738	2	Belt-V
13	3231-4	2	Screw-CARR
14	323-9	4	Screw-HH
15	107-9861	1	RH Idler ASM
15:2	1-513034	2	Sleeve-Bearing
15:3	302-40	1	Fitting-Grease
16	103-1767	2	Spring-Extension
17	103-1503	4	Spacer-Tightener, Belt
18	98-5975	2	Washer-Belleville
19	323-23	1	Screw-HH
20	103-1361	2	Spacer-Hydro Control, LH

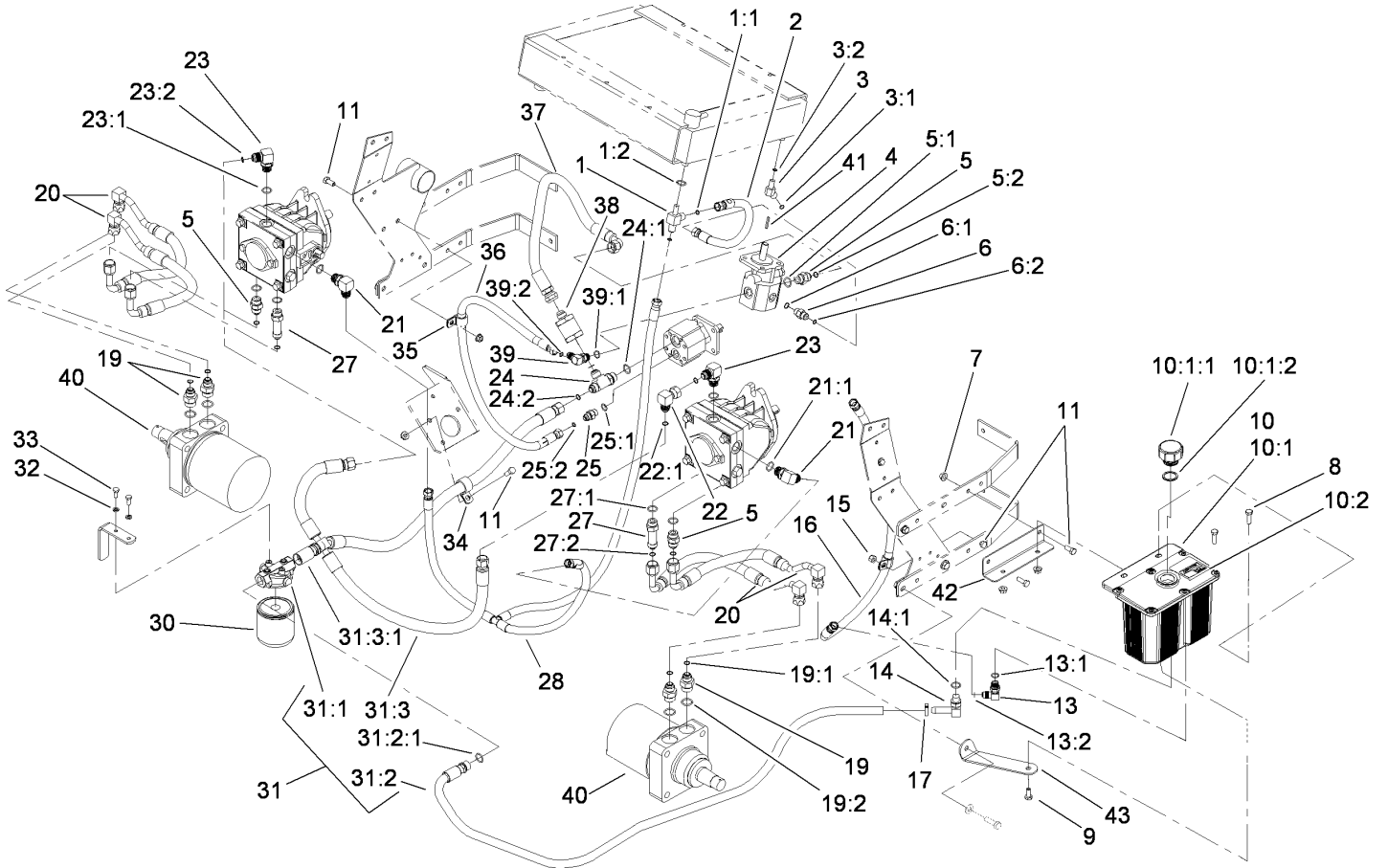
Ref	Part No.	Qty.	Description
21	103-0193	3	Spacer-Strap, Clutch
22	323-13	2	Screw-HH
23	103-0286	1	Shaft-Stub
24	33114-020	5	Screw-HH
25	109-6627	1	Clutch Kit
26	32128-20	1	Nut-HF
27	3256-3	1	Washer-Flat
28	1-613235	4	Washer
29	1-633545	2	Spacer
30	1-633630	2	Grommet-Brake
31	322-6	1	Screw-HH
32	103-0192-03	1	Strap-Clutch / Brake
33	3296-29	1	Nut-Lock, NI
34	322-12	1	Screw-HH
35	3256-23	1	Washer-Flat
36	323-16	1	Screw-HH
37	103-0919	1	Bushing-Tightener, Pivot
38	103-0040	1	Bushing-Tightener, Pivot



Cooling Pump Drive Assembly

Ref	Part No.	Qty.	Description
1	3212-6	1	Screw-HH
2	1-603610	2	Washer-Spring
3	1-543610	1	Washer-Clutch
4	107-7739	1	Belt-Poly V
5	103-1339	1	Sheave-5 Rib
6	323-9	3	Screw-HH
7	103-1422	1	Spacer-Pump Drive, Fan
8	323-14	1	Screw-HH
9	3256-4	3	Washer-Flat
10	107-9879	1	Wheel Pump Tension ASM
10:1		1	Tensioner ASM
10:1:1	1-513034	2	Sleeve-Bearing
10:1:2	302-40	1	Fitting-Grease
10:2	98-5954	1	Decal-Cover, Missing
11	1-633167	1	Sheave-Idler
12	3256-24	1	Washer-Flat
13	3290-357	4	Nut-HHF, Whiz
14	1-603384	1	Bushing-Pivot, Idler
15	1-603414	1	Spring-Extension
16	3296-29	4	Nut-Lock, NI
17	103-7431	1	Pump-Fan, Cooling
18	103-1299-03	1	Plate-Mating, Fan Pump
19	322-4	4	Screw-HH
20	103-1575	2	Spacer-Spring, Fan Pump

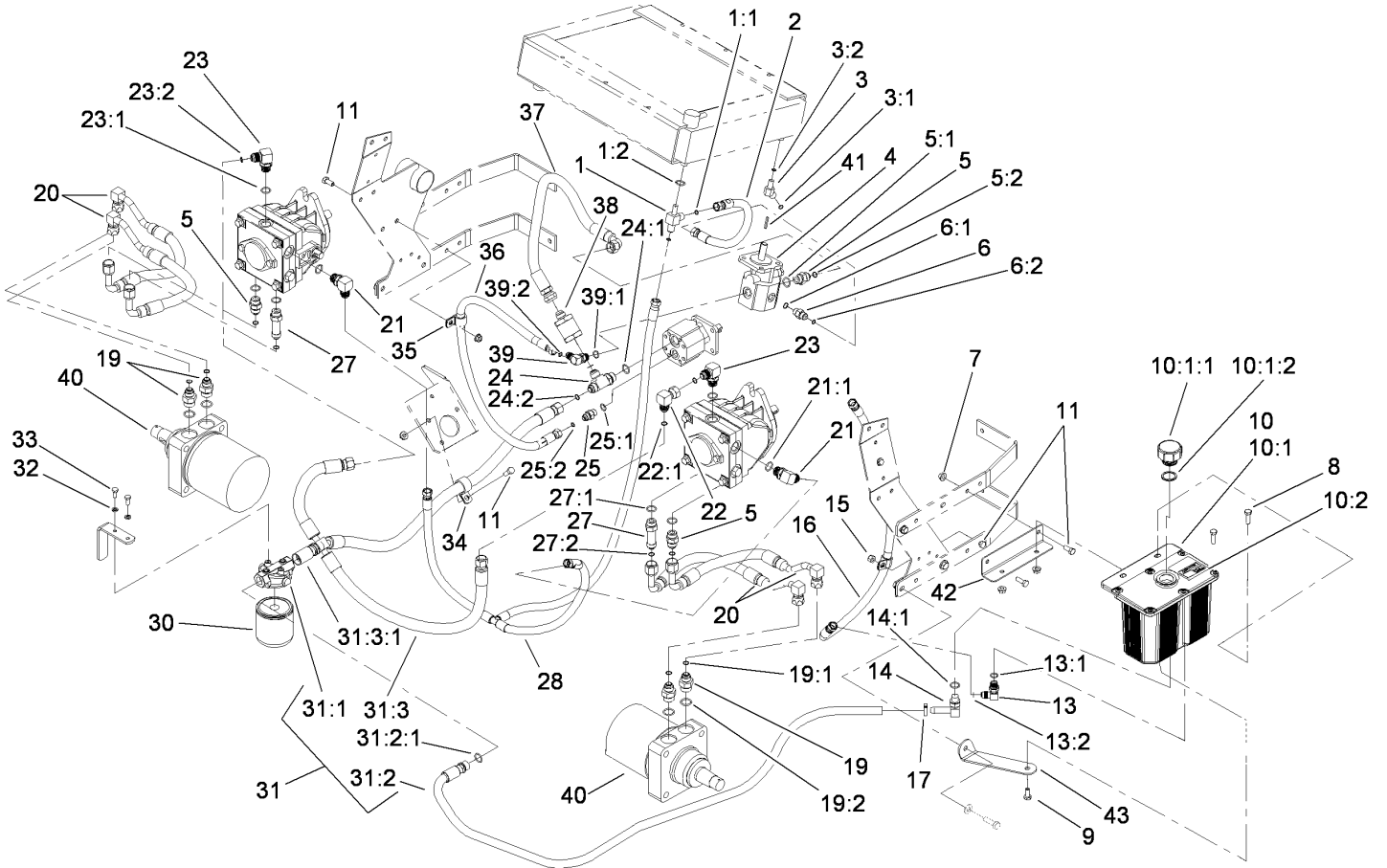
Ref	Part No.	Qty.	Description
22	32150-1	1	Key-Square
23	103-1338	1	Sheave-5 Rib
24	3246-6	2	Screw-Set, HSH
25	13-2840	1	Key-Square



Hydraulic System Assembly

Ref	Part No.	Qty.	Description
1	108-5998	1	Fitting-HYD, Straight Tee
1:1	237-21	2	O-Ring
1:2	237-42	1	O-Ring
2	103-2173	1	Fan Case Drain Hose ASM
3	108-5999	1	Fitting-HYD, 45 Elbow
3:1	237-21	1	O-Ring
3:2	237-42	1	O-Ring
4	103-7430	1	Motor-Fan, Cooling
5	1-603990	3	Fitting-Straight
5:1	1-603920	1	O-Ring
5:2	1-603992	1	O-Ring
6	103-2157	1	Fitting-Straight
6:1	1-603923	1	O-Ring
6:2	103-1020	1	O-Ring
7	32128-20	7	Nut-HF
8	322-5	4	Screw-HH
9	322-3	2	Screw-HH
10	109-0582	1	Hydraulic Tank ASM
10:1		1	Tank-Hydraulic
10:1:1	103-1948	1	Cap-Reservoir, HYD
10:1:2	103-1949	1	Gasket-Cap
10:2	1-523552	1	Decal-Tank, HYD
11	322-4	5	Screw-HH
13	103-2155	1	Fitting-90 DEG

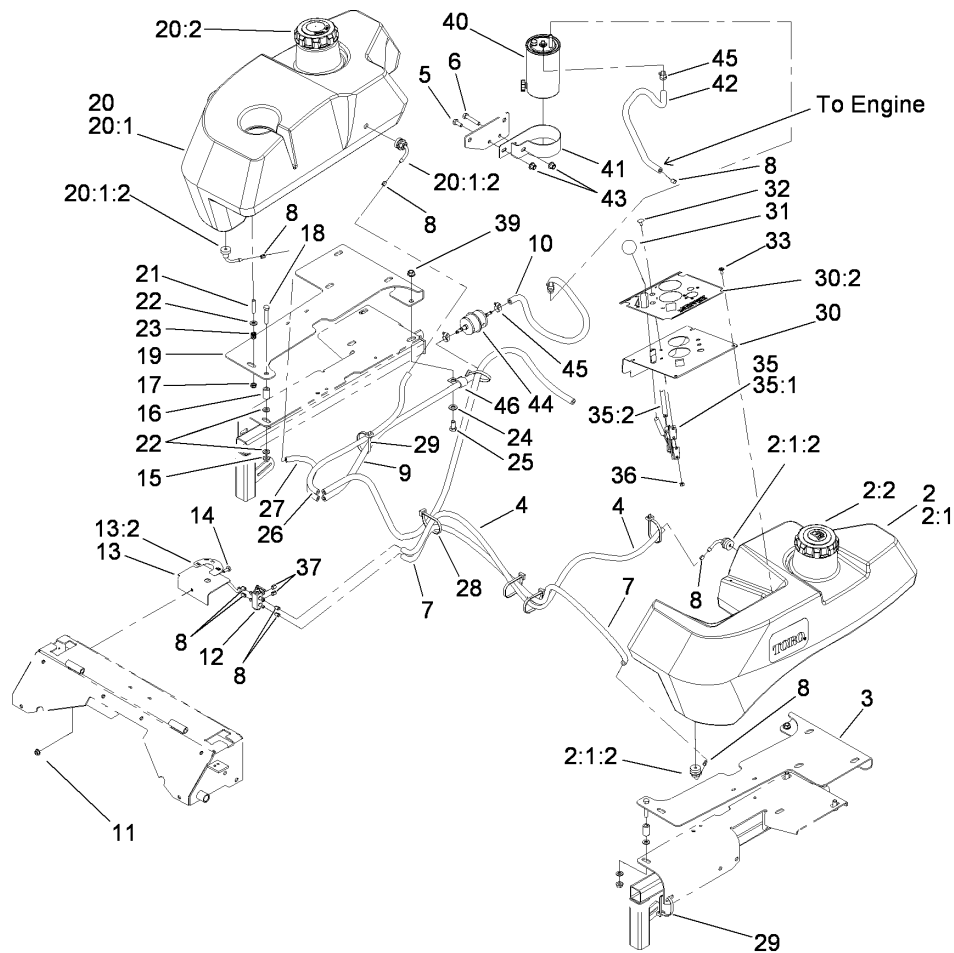
Ref	Part No.	Qty.	Description
13:1	1-603921	1	O-Ring
13:2	103-1020	1	O-Ring
14	108-5316	1	Fitting-Elbow, 90 DEG
14:1	237-79	1	O-Ring
15	3296-29	1	Nut-Lock, NI
16	103-2174	1	Tank Return Hose ASM
17	103-2104	1	Clamp-Hose
19	1-603991	4	Fitting-Straight
19:1	237-80	1	O-Ring
19:2	1-603992	1	O-Ring
20	103-4680	4	HYD Hose ASM
21	103-1014	2	Fitting-Elbow, 90 DEG
21:1	1-603920	1	O-Ring
22	103-2315	1	Fitting-90 DEG
22:1	1-603992	1	O-Ring
23	103-2153	2	Fitting-90 DEG
23:1	1-603920	1	O-Ring
23:2	1-603992	1	O-Ring
24	103-2159	1	Fitting-Tee
24:1	1-603920	1	O-Ring
24:2	1-603992	2	O-Ring
25	103-2156	1	Fitting-Straight
25:1	1-603921	1	O-Ring
25:2	103-1020	1	O-Ring



Hydraulic System Assembly (continued)

Ref	Part No.	Qty.	Description
27	103-1940	2	Adapter-HYD, Straight
27:1	237-79	1	O-Ring
27:2	1-603992	1	O-Ring
28	103-2172	1	Case Drain Hose ASM
30	23-9740	1	Filter-Oil
31		1	Charge Hose ASM
31:1	103-2259	1	Head-Filter
31:2	103-5121	1	Filter Inlet Hose ASM
31:2:1	1-603920	1	O-Ring
31:3	103-2269	1	Pump Inlet Hose ASM
31:3:1	1-603920	1	O-Ring
32	1-805004	2	Washer-Lock
33	321-3	2	Screw-HH
34	1-643312	1	Clip-Loom
35	1-633396	2	Clip-Loom
36	103-2148	1	Auxillary Pump Hose ASM
37	1-323241	1	Hose-Pressure, High
38	103-3110	1	Filter-In Line, 50 Micron
39	103-2155	1	Fitting-90 DEG
39:1	1-603921	1	O-Ring
39:2	103-1020	1	O-Ring
40	103-2489	2	Motor-Wheel, HYD
41	32150-1	1	Key-Square
42	112-1768-03	1	Bracket-Tank Mount, Upper

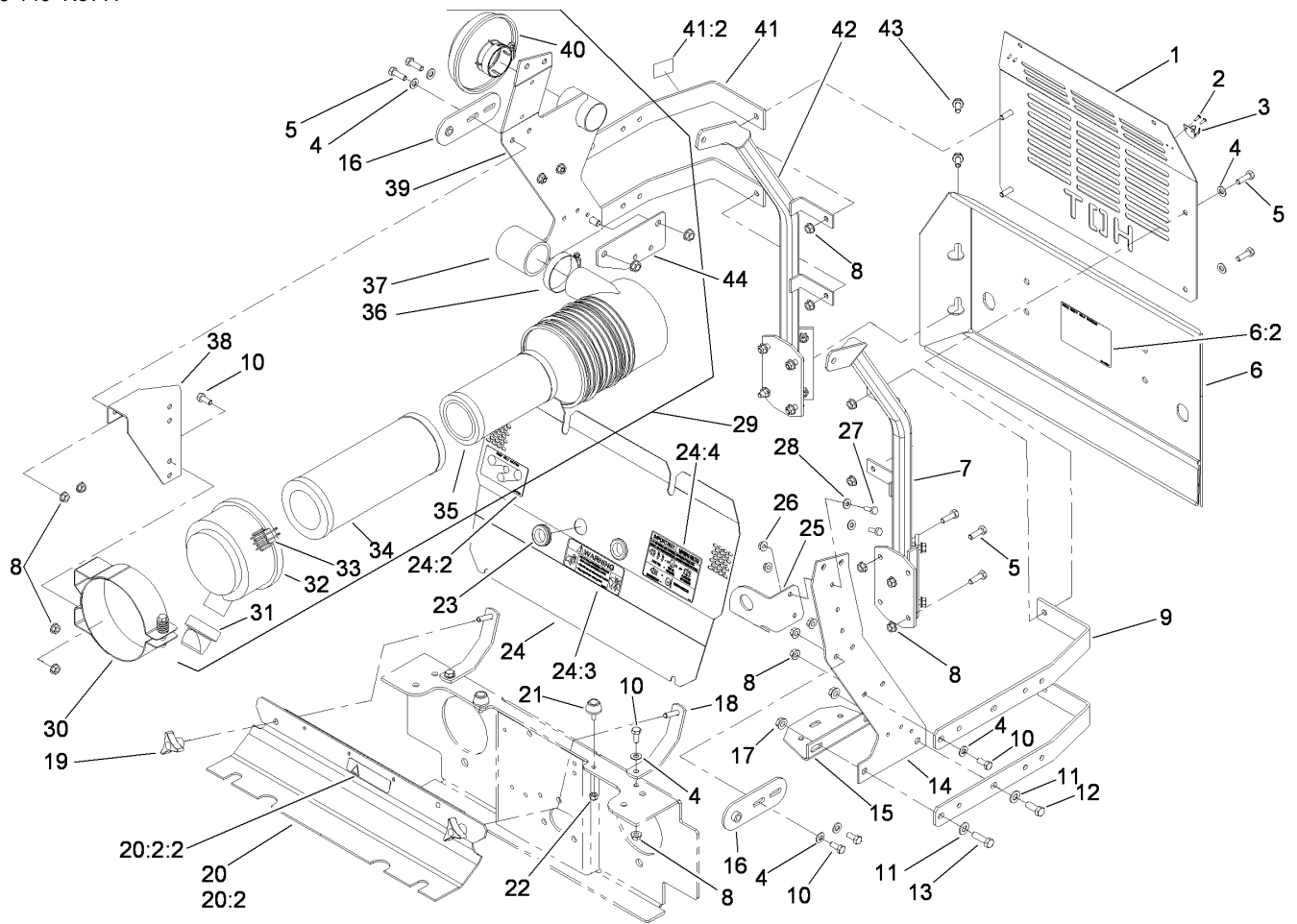
Ref	Part No.	Qty.	Description
43	112-1778-03	1	Bracket-Tank Mount, Lower



Tank and Fuel Line Assembly

Ref	Part No.	Qty.	Description
2	115-3556	1	LH Fuel Tank Kit
②2:1		1	Tank-Fuel, LH
2:1:2	103-2615	2	Fitting-Fuel, Bulkhead
2:2	114-8214	1	Biodiesel Cap ASM
3	107-7672-03	1	Bracket-Fuel Tank, LH
4	109-0273	1	Hose-Fuel
5	322-3	1	Screw-HH
6	322-9	1	Screw-HH
7	109-0289	1	Hose-Fuel
8	1-643293	6	Clamp-Hose, Fuel
9	114-8206	1	Hose-Fuel
10	110-4113	1	Hose-Fuel
11	32128-33	1	Nut-HF
12	1-643234	1	Valve-Fuel, Dual Flow
13	107-9878	1	Bracket-Valve, Fuel
13:2	107-2114	1	Decal-Valve, Fuel
14	321-3	1	Screw-HH
15	3296-47	2	Nut-Lock, NI
16	94-7564	2	Spacer
17	3296-47	6	Nut-Lock, NI
18	322-9	2	Screw-HH
19	107-7671-03	1	Bracket-Fuel Tank, RH
20	115-3555	1	RH Fuel Tank Kit
②20:1		1	Tank-Fuel, RH

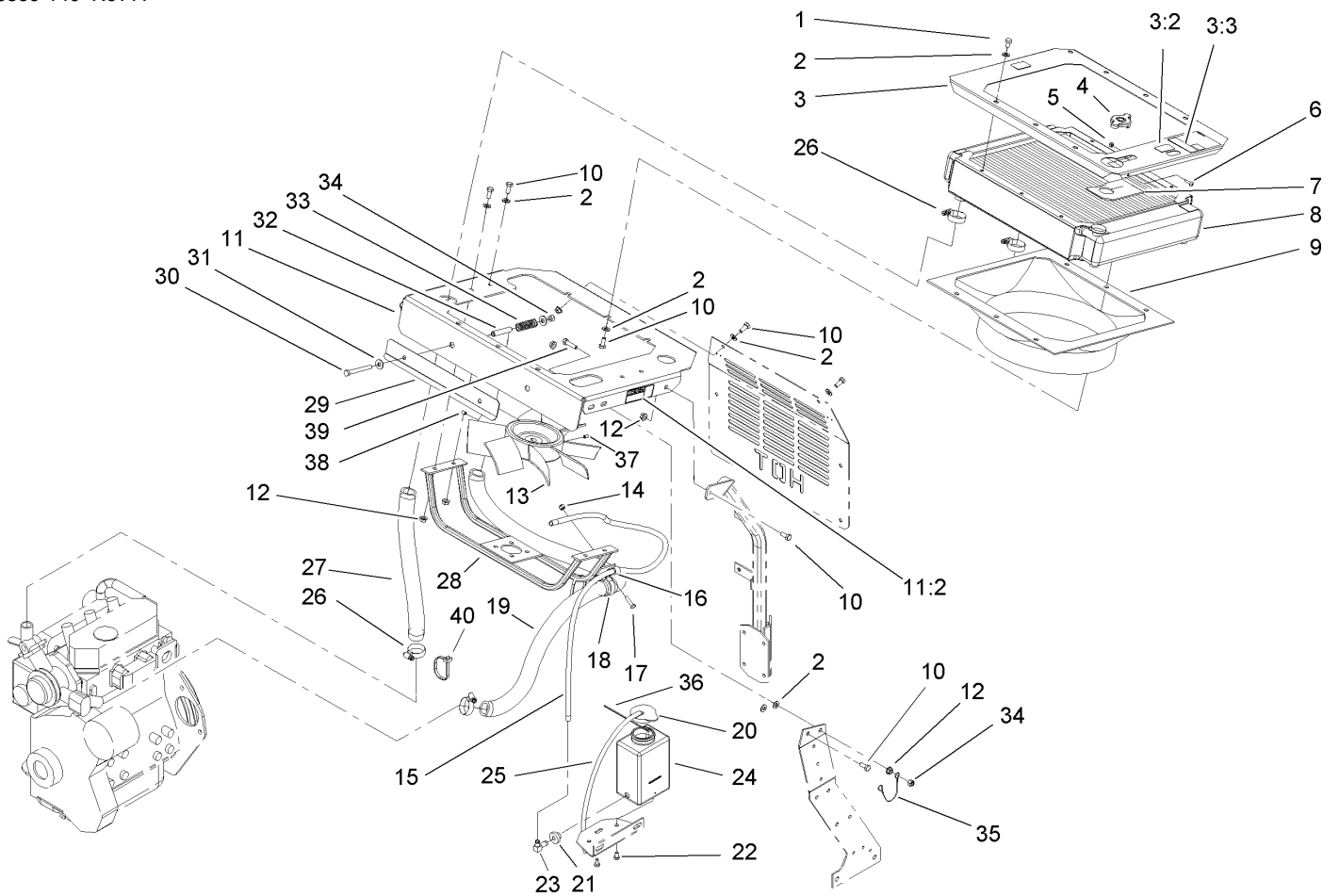
Ref	Part No.	Qty.	Description
20:1:2	103-2615	2	Fitting-Fuel, Bulkhead
20:2	114-8214	1	Biodiesel Cap ASM
21	1-633023	6	Stud
22	3256-23	10	Washer-Flat
23	1-633349	6	Spring-Tank, Fuel
24	3256-24	4	Washer-Flat
25	323-4	4	Screw-HH
26	110-5701	1	Hose-Fuel
27	109-0294	1	Hose-Fuel
28	110-4100	1	Hose-Fuel
29	1-303335	7	Tie-Plastic
30	115-3561	1	Control Panel ASM
30:2	115-3562	1	Decal-Control Panel
31	1-603175	1	Knob-Ball
32	1-807513	2	Bolt-CARR
33	109-2661	4	Screw-PPH
35	110-5729	1	Throttle Control Cable ASM
35:1	112-2334	1	Lever-Throttle
35:2	110-5730	1	Cable-Throttle
36	3296-2	2	Nut-Lock
37	1-643277	3	Clamp-Hose, Fuel
39	3290-357	4	Nut-HHF, Whiz
40	112-9188	1	Element-Filter, Fuel/Water
41	110-8807	1	Bracket-Filter, Fuel



Front and Rear Engine Cover Assembly

Ref	Part No.	Qty.	Description
1	103-4855-03	1	Guard-Muffler
2	923786	4	Rivet
3	1-643189	2	Keeper-Latch, Rubber
4	3256-23	13	Washer-Flat
5	322-5	14	Screw-HH
6	107-9865	1	Rear Bumper ASM
6:2	107-9864	1	Decal-Belt Routing, Deck Drive
7	103-5157-03	1	Frame-Upper, LH Rear
8	32128-20	23	Nut-HF
9	103-4906-03	3	Bar-Mount Frame, Radiator
10	322-3	9	Screw-HH
11	3256-24	4	Washer-Flat
12	323-6	2	Screw-HH
13	323-7	2	Screw-HH
14	103-5169-03	1	Mount-Side, LH
15	103-2603-03	1	Bracket-Bottle
16	1-632986-03	2	Shackle-Hinge
17	3290-357	4	Nut-HHF, Whiz
18	103-5163-03	2	Mount-Belt Shield, Engine
19	1-323385	2	Knob-3 Prong
20	107-7709	1	Engine Belt Shield ASM
20:2		1	Strip-Shield, Belt
20:2:2	98-5954	1	Decal-Cover, Missing
21	109-2365	2	Bumper-Rubber (W/Stud)

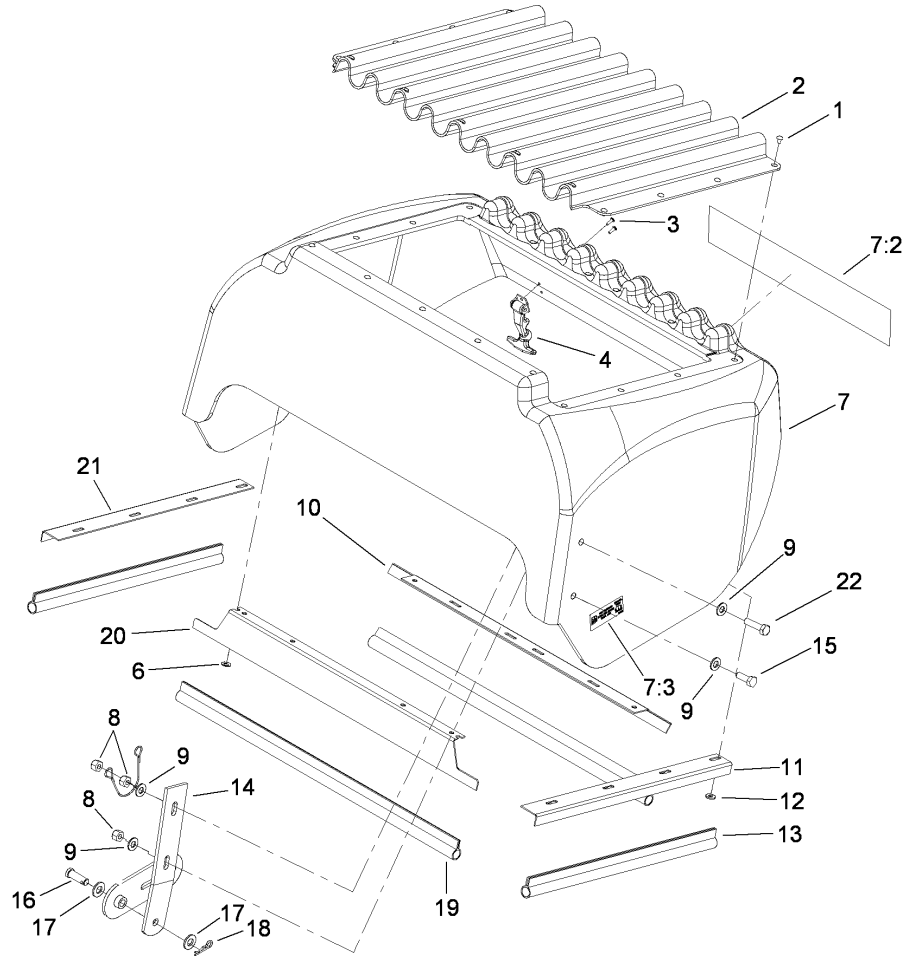
Ref	Part No.	Qty.	Description
22	3296-42	2	Nut-Lock, NI
23	100-3815	2	Grommet-Rubber
24	107-7707	1	Engine Access Panel ASM
24:2	107-7705	1	Decal-Belt Routing, Pump
24:3	103-3276	1	Decal-Buzzer, Warning
24:4	103-5881	1	Decal-Devices, Rotating
25	103-4982-03	1	Bracket-Buzzer
26	32128-33	2	Nut-HF
27	321-4	2	Screw-HH
28	3256-22	2	Washer-Flat
29	103-5178	1	Filter-Air
30	103-1058	1	Bracket-Filter, Air
31	87-9400	1	Valve-Vacuator
32	103-1060	1	Cover-Filter, Air
33	1-643283	2	Latch-Cleaner, Air
34	103-1327	1	Filter-Air
35	103-1326	1	Filter-Air, Safety
36	2412-42	1	Clamp-Hose
37	103-5198	1	Hose-Intake
38	103-0953-03	1	Mount-Cleaner, Air
39	103-5123-03	1	RH Radiator And Ac Support ASM
40	100-2436	1	Hood
41	107-7715	1	Bar-Radiator
41:2	65-2690	1	Decal-Surface, Hot



Cooling System Assembly

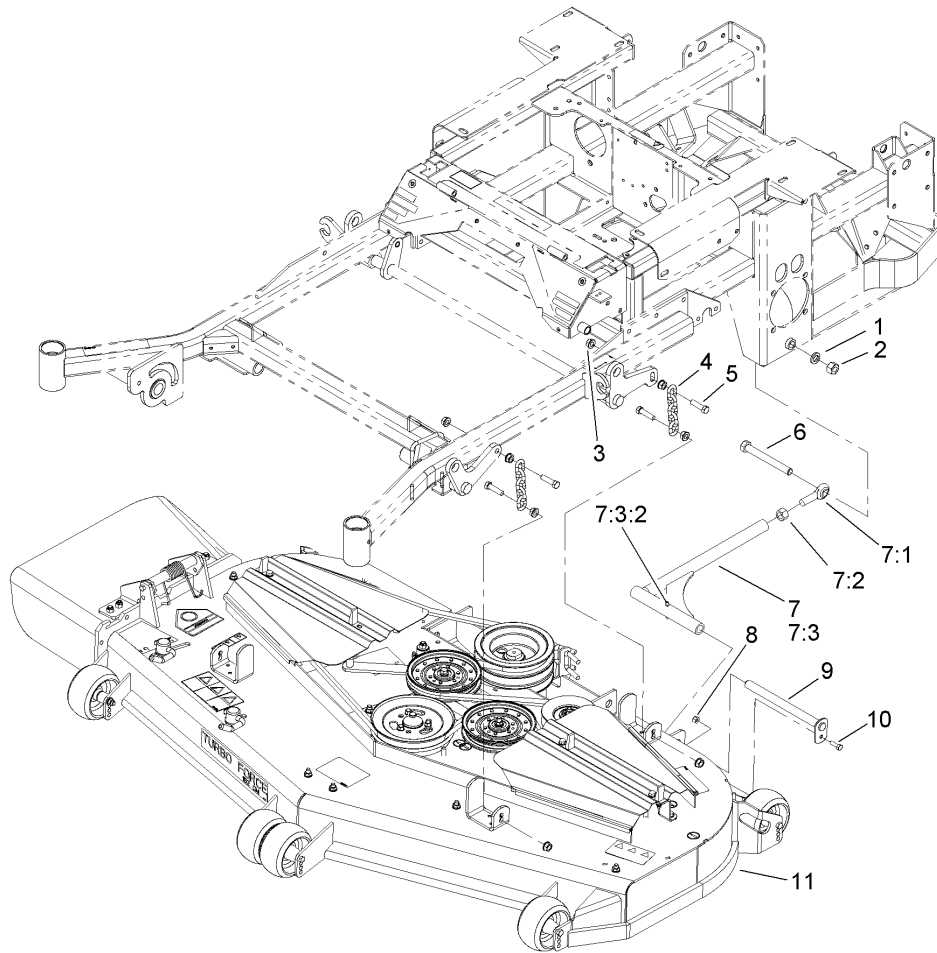
Ref	Part No.	Qty.	Description
1	322-1	6	Screw-HH
2	3256-23	22	Washer-Flat
3	107-7658	1	Plate-Trim, Radiator
3:2	65-2690	2	Decal-Surface, Hot
3:3	104-2449	1	Decal-Coolant
4	1-643161	1	Cap-Radiator
5	3296-2	1	Nut-Lock
6	1-803075	1	Screw-Head, Truss
7	103-1352	1	Shield-Fill Neck, Radiator
8	107-9889	1	Radiator
9	103-0898	1	Shroud-Cooling, Engine
10	322-3	16	Screw-HH
11	107-7717	1	Fan Mounting Plate ASM
11:2	1-643253	2	Decal-Fan, Radiator
12	32128-20	10	Nut-HF
13	103-0892	1	Fan
14	3296-42	1	Nut-Lock, NI
15	109-2670	1	Hose
16	1-513762	1	Clip-Loom
17	321-6	1	Screw-HH
18	103-0113	1	Clip-Loom
19	103-0922	1	Hose-Inlet, Engine
20	1-643164	1	Cap-Tank, Overflow
21	1-513645	1	Bushing-Valve, Fuel

Ref	Part No.	Qty.	Description
22	321-2	2	Screw-HH
23	1-643259	1	Fitting-Elbow
24	1-643163	1	Tank-Overflow
25	109-2669	1	Hose
26	1-633989	4	Clamp-Hose
27	103-2505	1	Hose-Outlet, Engine
28	103-0086-03	1	Mount-Motor, Fan
29	103-4986	1	Bracket-Deflector, Air
30	322-14	2	Screw-HH
31	3256-3	4	Washer-Flat
32	103-5223	2	Spacer
33	1-513296	2	Spring-Indicator, Reverse
34	3296-29	4	Nut-Lock, NI
35	107-9853	2	Lanyard
36	1-303287	3	Tie-Plastic
37	3245-44	1	Screw-Set
38	909848	1	Screw-Set
39	322-6	2	Screw-HH
40	1-303335	2	Tie-Plastic



Hood Assembly

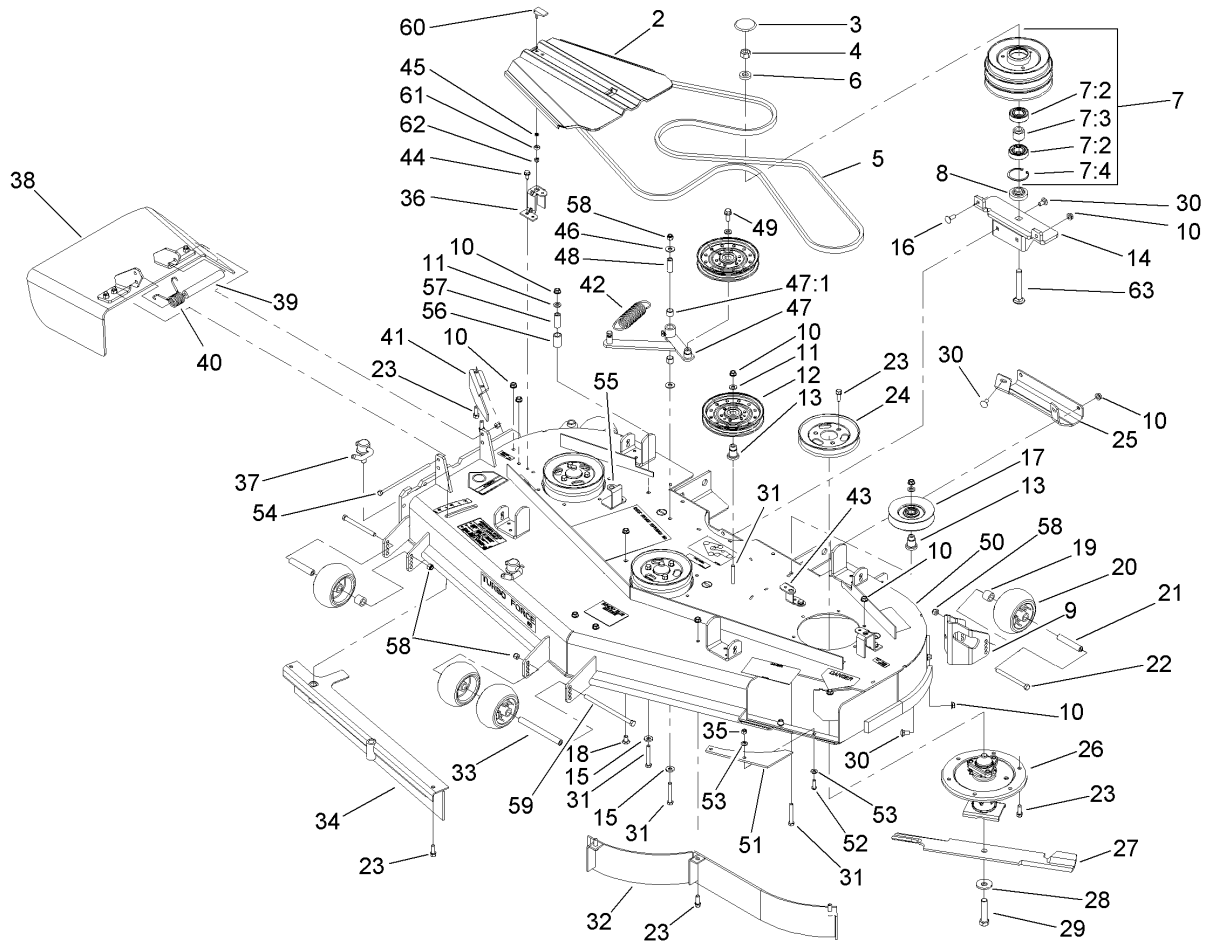
Ref	Part No.	Qty.	Description
1	1-803072	17	Rivet
2	1-633864-03	1	Screen-Radiator
3	923786	4	Rivet
4	1-643188	2	Latch-Rubber
6	1-303435	5	Washer-Spring
7	115-3560	1	Hood ASM W/Decals
7:2	107-7674	1	Decal
7:3	114-9600	2	Decal-Low Sulfur
8	3296-29	6	Nut-Lock, NI
9	3256-23	8	Washer-Flat
10	1-643108-03	1	Angle-Radiator, Bottom
11	1-643105-03	1	Angle-Radiator, LH
12	3256-14	12	Washer-Flat
13	1-643186	2	Seal-Trim
14	1-633885-03	2	Plate-Hinge, Hood
15	322-4	2	Screw-HH
16	1-808285	2	Pin-Clevis
17	3256-24	4	Washer-Flat
18	1-806003	2	Pin-Hair
19	1-643187	2	Seal-Trim
20	1-643107-03	1	Angle-Radiator, Top
21	1-643106-03	1	Angle-Radiator, RH
22	322-6	2	Screw-HH



Deck Connection Assembly

Ref	Part No.	Qty.	Description
1	3253-8	2	Washer-Lock
2	3217-11	2	Nut-Hex
3	32128-37	16	Nut-HF
4	1-633447	4	Chain-Lift, Deck
5	103-1898	8	Screw-HH
6	327-28	2	Screw-HH
7	103-1356	2	Strut ASM
7:1	1-633029	1	Balljoint-Spherical
7:2	3219-6	1	Nut-Hex
7:3		1	Strut-Deck
7:3:2	109-1380	2	Fitting-Grease
8	3296-29	2	Nut-Lock, NI
9	1-632199-01	2	Pin-Strut
10	322-3	2	Screw-HH
11		1	Deck ASM

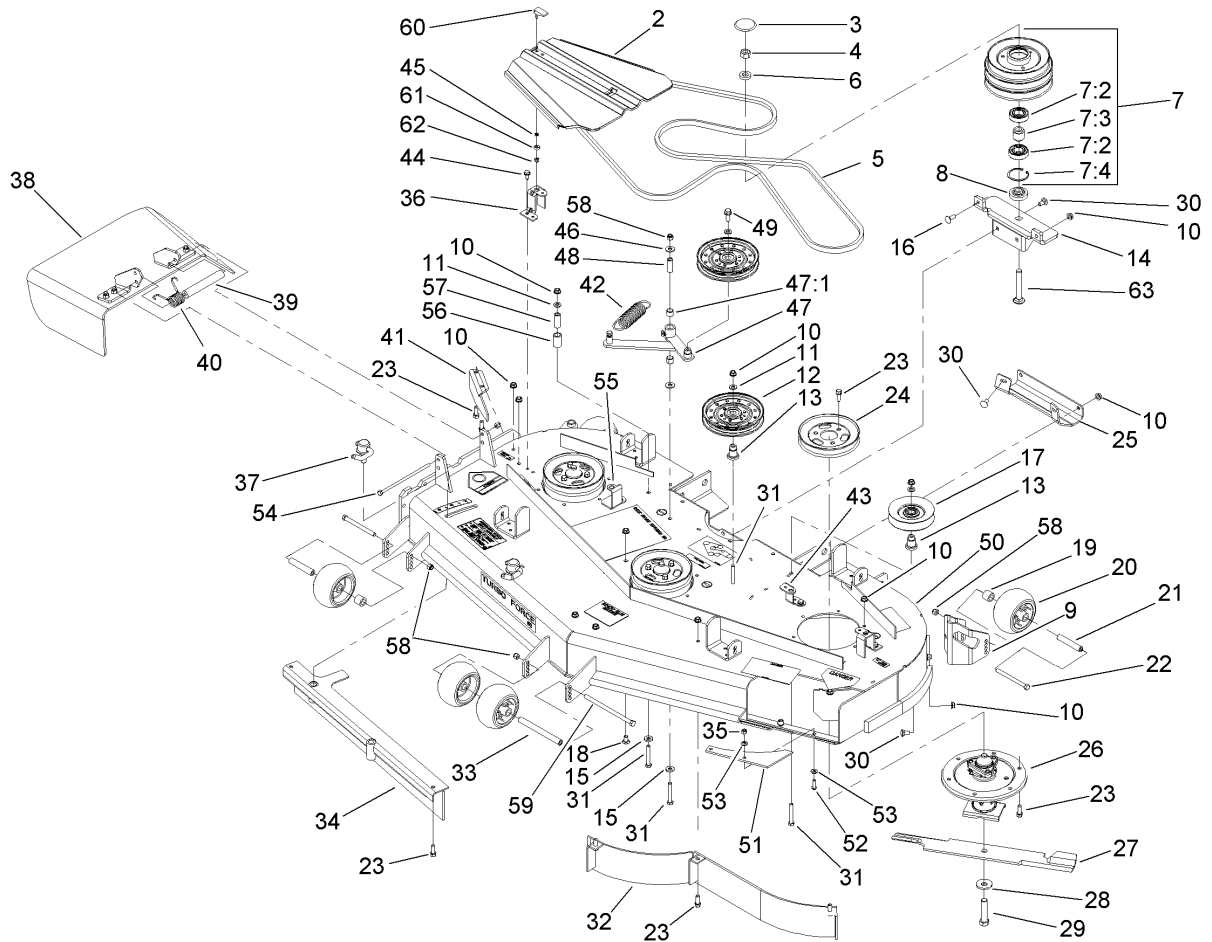
--	--	--	--



Deck Assembly

Ref	Part No.	Qty.	Description
2	107-8536	2	Cover-Belt
3	112-8049	1	Cap-Plastic
4	3217-11	1	Nut-Hex
5	107-7667	1	Belt-V
6	105-0842	1	Spacer
7	114-0210	1	Pulley And Bearing ASM
7:2	104-6325	2	Bearing
7:3	112-8047	1	Spacer-Bearing
7:4	32120-8	1	Ring-Snap
8	112-8048	1	Spacer-Flanged
9	106-7354-01	1	Mount-Wheel, LH
10	3290-357	43	Nut-HHF, Whiz
11	3256-24	4	Washer-Flat
12	1-633109	2	Idler-Flat
13	106-3214	2	Mount-Pulley
14	110-5893-01	1	Mounting Bracket ASM
15	98-5975	2	Washer-Belleville
16	3231-2	2	Screw-CARR
17	1-603805	1	Pulley-Idler
18	3231-21	1	Screw-CARR
19	98-7913	4	Tube-Spacer
20	1-603299	6	Roller-Scalp, Anti
21	98-7912	4	Tube-Spanner
22	323-23	4	Screw-HH

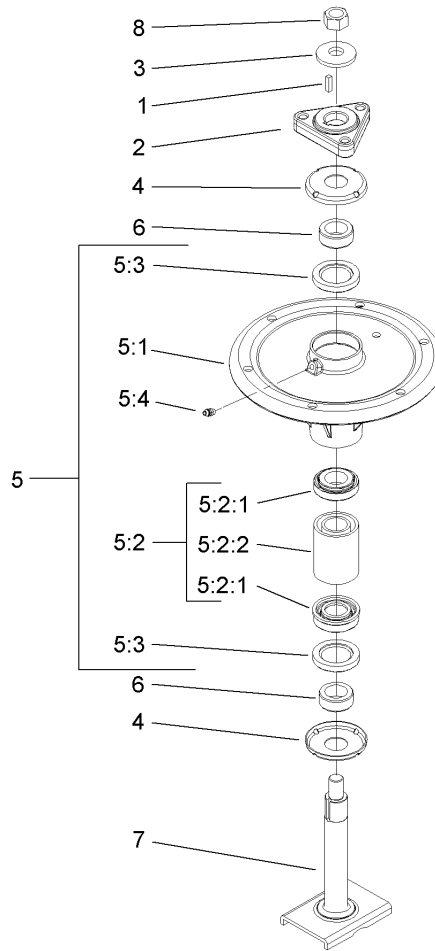
Ref	Part No.	Qty.	Description
23	92-1624	33	Screw
24	105-7735	3	Pulley
25	105-8792-01	1	Plate-Skid
26	108-7713	3	Spindle ASM
27	105-7718-03	3	Blade-Hi Flow
28	103-0865	3	Washer-Blade Bolt, Heavy
29	103-0862	3	Screw-Cap
30	3231-1	13	Screw-CARR
31	323-12	4	Screw-HH
32	105-7657-01	1	Baffle ASM
33	98-5967	1	Spacer-Wheel
34	105-7669-01	1	Baffle ASM
35	3296-29	3	Nut-Lock, NI
36	108-4121-01	2	Bracket-Cover
37	107-1664	2	Lever ASM
38	108-2792	1	Rubber Deflector ASM
39	105-4622	1	Spacer
40	108-4052	1	Spring-Torsion
41	106-3216-01	1	Baffle-Discharge
42	105-6992	1	Spring-Extension
43	108-2177-01	1	Bracket-Cover, Tall
44	32144-70	4	Screw-HWHTF
45	99-3058	2	Washer
46	3256-4	2	Washer-Flat



Deck Assembly (continued)

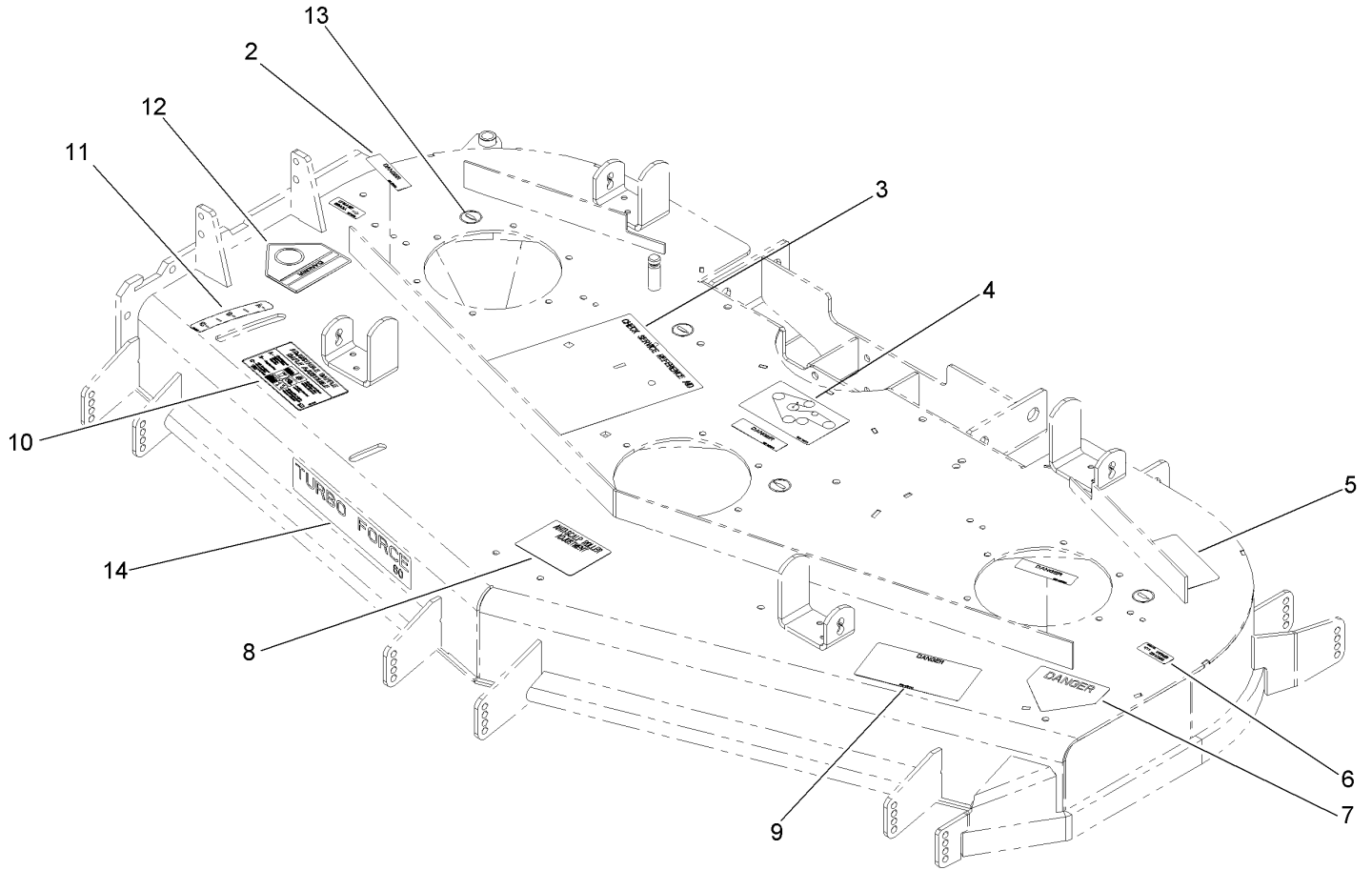
Ref	Part No.	Qty.	Description
47	107-9868	1	Idler Arm ASM
47:1	103-4681	2	Sleeve-Bearing
48	1-603044	1	Bushing
49	3234-11	1	Screw-HHF
50	112-8060	1	Deck Decal ASM
51	107-3137	1	Plate-Turbo
52	3274-104	2	Screw-HSBH
53	1-303334	4	Washer-Spring
54	322-50	1	Screw-HH
55	108-4122-01	1	Bracket-Cover
56	112-8051	1	Spacer-Rubber
57	80-7710	1	Spacer-Pivot, Idler
58	3296-39	6	Nut-Lock, NI
59	323-28	1	Screw-HH
60	106-6777	2	Handle-Latch, Swell
61	106-6778	2	Bushing-Latch, Swell
62	1-804254	2	Nut
63	112-8046	1	Bolt-Carriage

--	--	--	--



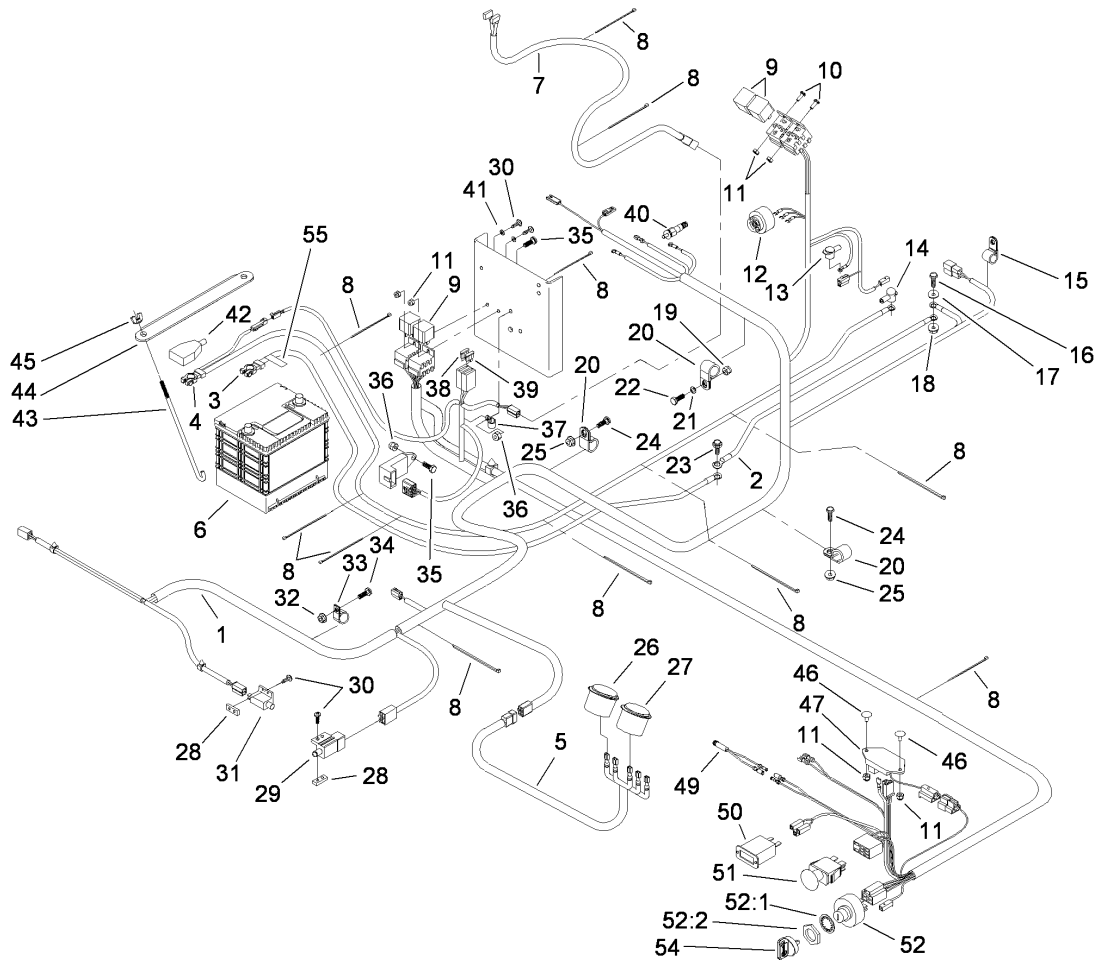
Spindle Assembly No. 108-7713

Ref	Part No.	Qty.	Description
1	10-8040	1	Key-Square
2	106-3277	1	Hub-Pulley
3	103-0865	1	Washer-Blade Bolt, Heavy
4	106-3204	2	Shield-Bearing
5		1	Spindle Bearing ASM
5:1	106-3211	1	Housing-Spindle
5:2	108-7711	1	Bearing ASM
5:2:1	108-7710	1	Bearing ASM
5:2:2	106-3206	1	Spacer (Matched Set)
5:3	253-133	2	Seal-Oil
5:4	302-5	1	Fitting-Grease
6	106-3218	2	Spacer-Seal
7	106-3233	1	Spindle Shaft ASM
8	3219-6	1	Nut-Hex



Deck Decal Assembly No. 112-8060

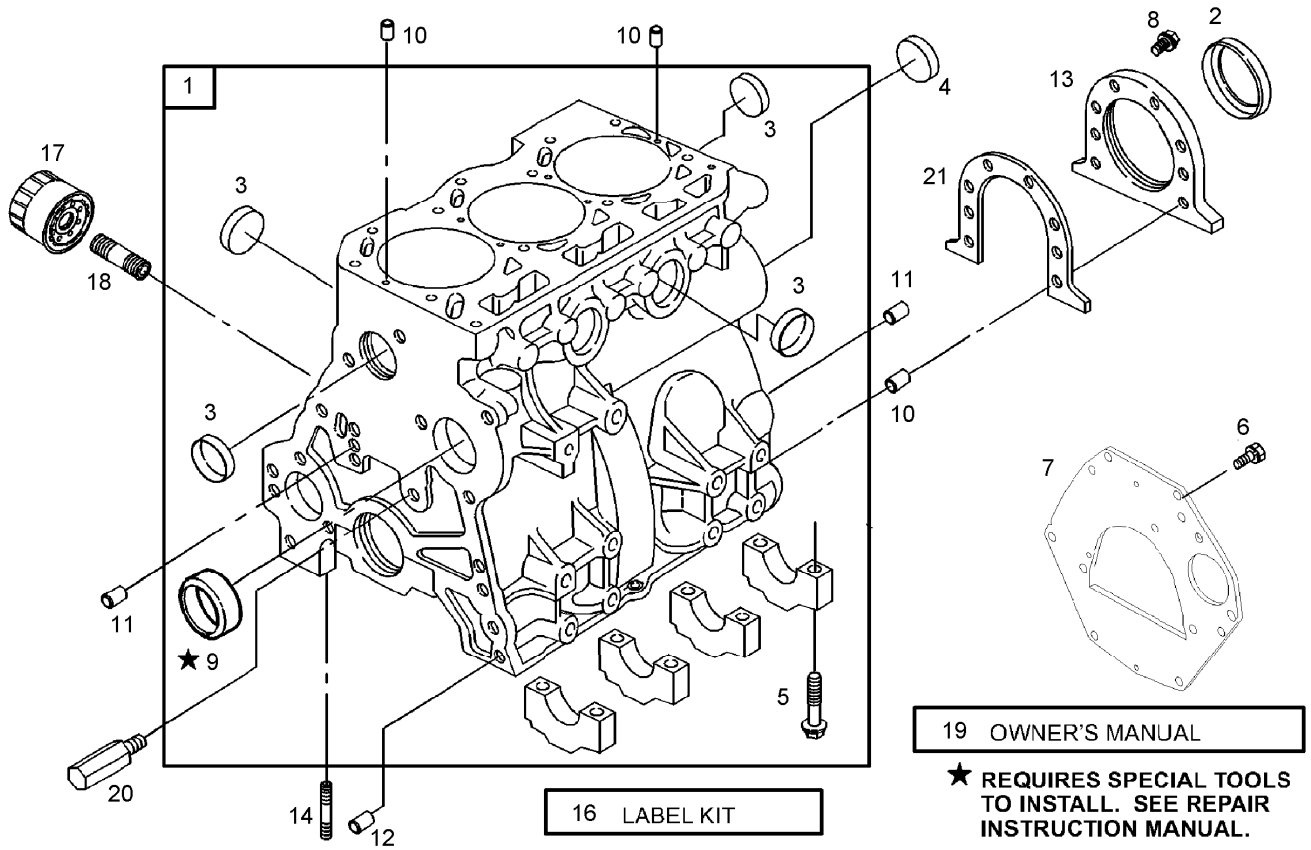
Ref	Part No.	Qty.	Description
2	98-5954	3	Decal-Cover, Missing
3	107-9863	1	Decal-Check, Service
4	107-7673	1	Decal-Routing, Belt
5	68-8340	1	Decal-Torque
6	107-1613	2	Decal-Grease
7	1-403005	1	Decal-Danger
8	105-7798	1	Decal-Scalp, Anti
9	66-1340	1	Decal-Danger
10	110-2068	1	Decal-Adjustment, Baffle
11	110-2067	1	Decal-Setting, Baffle
12	54-9220	1	Decal-Danger
13	58-6520	4	Decal-Grease
14	107-1619	1	Decal



Electrical Assembly

Ref	Part No.	Qty.	Description
1	103-4340	1	Harness-Wire
2	103-1349	1	Cable-Engine Negative
3	103-1159	1	Cable-Battery Negative
4	103-1160	1	Cable-Starter
5	103-4339	1	Harness-Gauge
6	106-5187	1	Battery
7	103-1227	1	Harness-Wiring, Seat
8	1-303335	11	Tie-Plastic
9	1-643275	4	Relay
10	1-803071	2	Screw
11	3296-2	8	Nut-Lock
12	103-0205	1	Alarm-Tone, Dual
13	1-643178	1	Cap-Insulator, Red
14	103-1420	1	Insulator-Starter
15	1-603727	1	Clip-Loom
16	323-6	1	Screw-HH
17	3256-24	1	Washer-Flat
18	3290-357	1	Nut-HHF, Whiz
19	33023-00	1	Nut-Lock
20	1-633396	3	Clip-Loom
21	3256-22	1	Washer-Flat
22	33113-020	1	Screw-HH
23	32144-70	1	Screw-HWHTF
24	322-3	2	Screw-HH

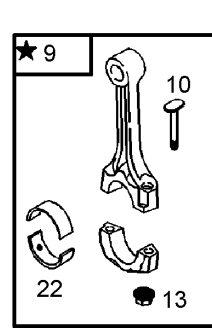
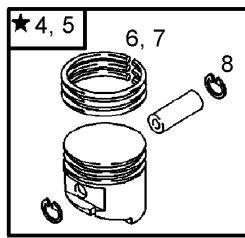
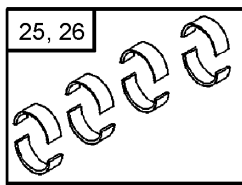
Ref	Part No.	Qty.	Description
25	32128-20	2	Nut-HF
26	1-643037	1	Gauge-Voltmeter
27	1-643021	1	Gauge-Temperature
28	1-633181	3	Plate-Tapped
29	1-633111	1	Switch
30	3290-500	8	Screw-PPH
31	1-513051	2	Switch-Open, Normally
32	32128-33	1	Nut-HF
33	1-323229	1	Clip-Loom
34	321-2	1	Screw-HH
35	321-4	3	Screw-HH
36	3296-42	2	Nut-Lock, NI
37	1-513762	1	Clip-Loom
38	1-816001	1	Fuse-Blade Type, 20 Amp
39	103-1368	1	Fuse-40 Amp
40	103-0949	1	Sender-Temperature
41	3256-14	2	Washer-Flat
42	103-1340	1	Insulator-Terminal, Battery
43	103-1312	2	Bolt-Holddown
44	103-1311-03	1	Holddown-Battery
45	1-543792	2	Wingnut
46	1-807513	2	Bolt-CARR
47	103-5218	1	Module-Delay, Seat
49	103-1320	1	Indicator-Led, Amber



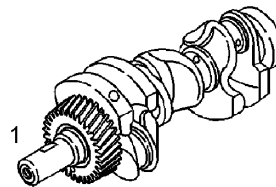
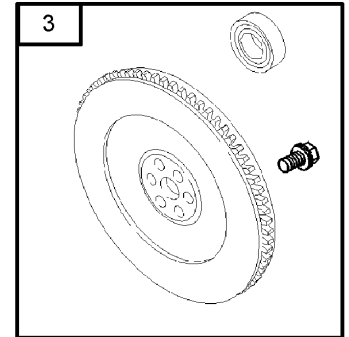
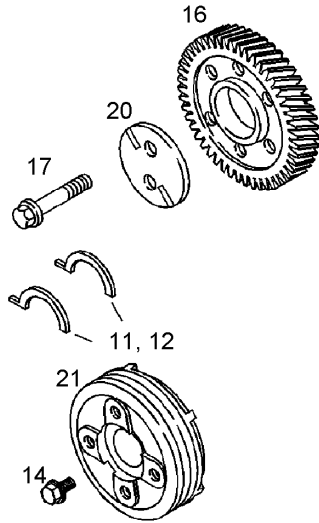
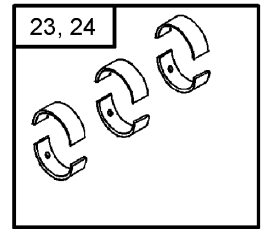
Assemblies include all parts shown in frames.

Cylinder Assembly

Ref	Part No.	Qty.	Description
1	107-9891	1	Cylinder ASM
2	99-9003	1	Seal-Oil
3	99-9008	1	Plug-Welch
4	107-9892	1	Plug-Welch (Cam)
5	99-9006	1	Screw-Hex
6	99-9005	1	Screw-Hex
7	107-9893	1	Plate-End, Rear
8	99-9004	1	Screw-Hex
9	99-9002	1	Bushing
10	99-9012	1	Pin-Locating
11	99-9013	1	Pin-Locating
12	99-9014	1	Pin-Locating
13	99-9022	1	Retainer-Seal
14	99-9007	1	Stud-Metric
16	107-9894	1	Kit-Label
17	99-9017	1	Filter-Oil
18	105-9337	1	Adapter-Filter, Oil
19	103-1384	1	Manual-Engine
20	99-9020	1	Nozzle-Oil
21	99-9021	1	Gasket-Retainer



★ REQUIRES SPECIAL TOOLS TO INSTALL. SEE REPAIR INSTRUCTION MANUAL.

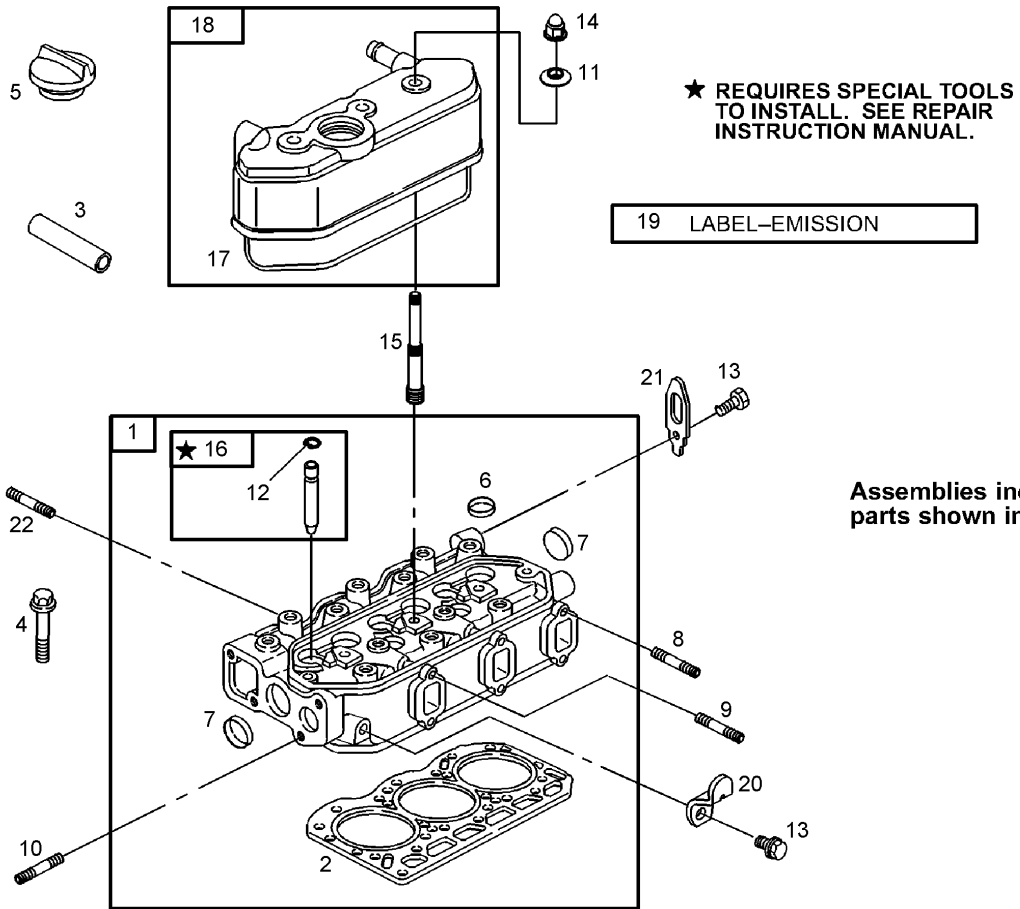


Assemblies include all parts shown in frames.

Crankshaft Assembly

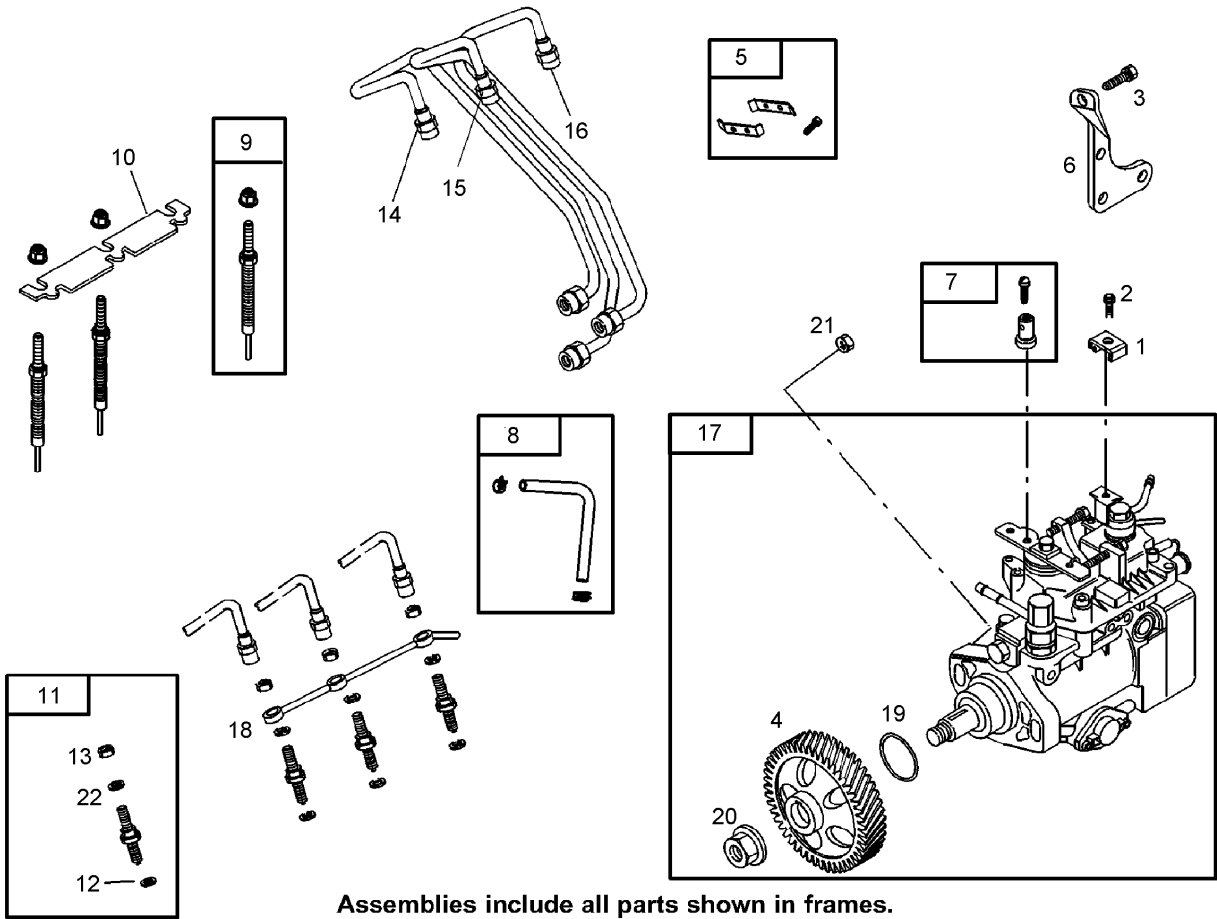
Ref	Part No.	Qty.	Description
1	105-9339	1	Crankshaft
3	99-9024	1	Flywheel
4	107-9895	1	Piston ASM
5	107-9896	1	Piston ASM (Oversize)
6	105-9340	1	Ring Set
7	99-9269	1	Ring Set (.010 In Oversized)
8	99-9607	1	Lock-Pin, Piston
9	99-9608	1	Rod-Connecting
10	99-9030	1	Screw-Rod, Connecting
11	99-9035	1	Washer-Thrust
12	99-9036	1	Washer-Thrust (.005 In Oversized)
13	99-9034	1	Nut-Hex
14	107-9897	1	Screw-Hex
15	99-9037	1	Pin-Locating
16	99-9609	1	Gear-Drive
17	99-9032	1	Screw-Hex
20	99-9040	1	Plate-Gear, Idler
21	99-9041	1	Pulley-Crankshaft
22	99-9042	1	Bearing-Rod
23	99-9043	1	Set-Bearing, Rod
24	99-9044	1	Set-Bearing, Rod (.010 Undersized)
25	99-9045	1	Set-Bearing, Main (Set Of 8)

Ref	Part No.	Qty.	Description
26	99-9046	1	Set-Bearing, Main (.010 Undersized)



Cylinder Head Assembly

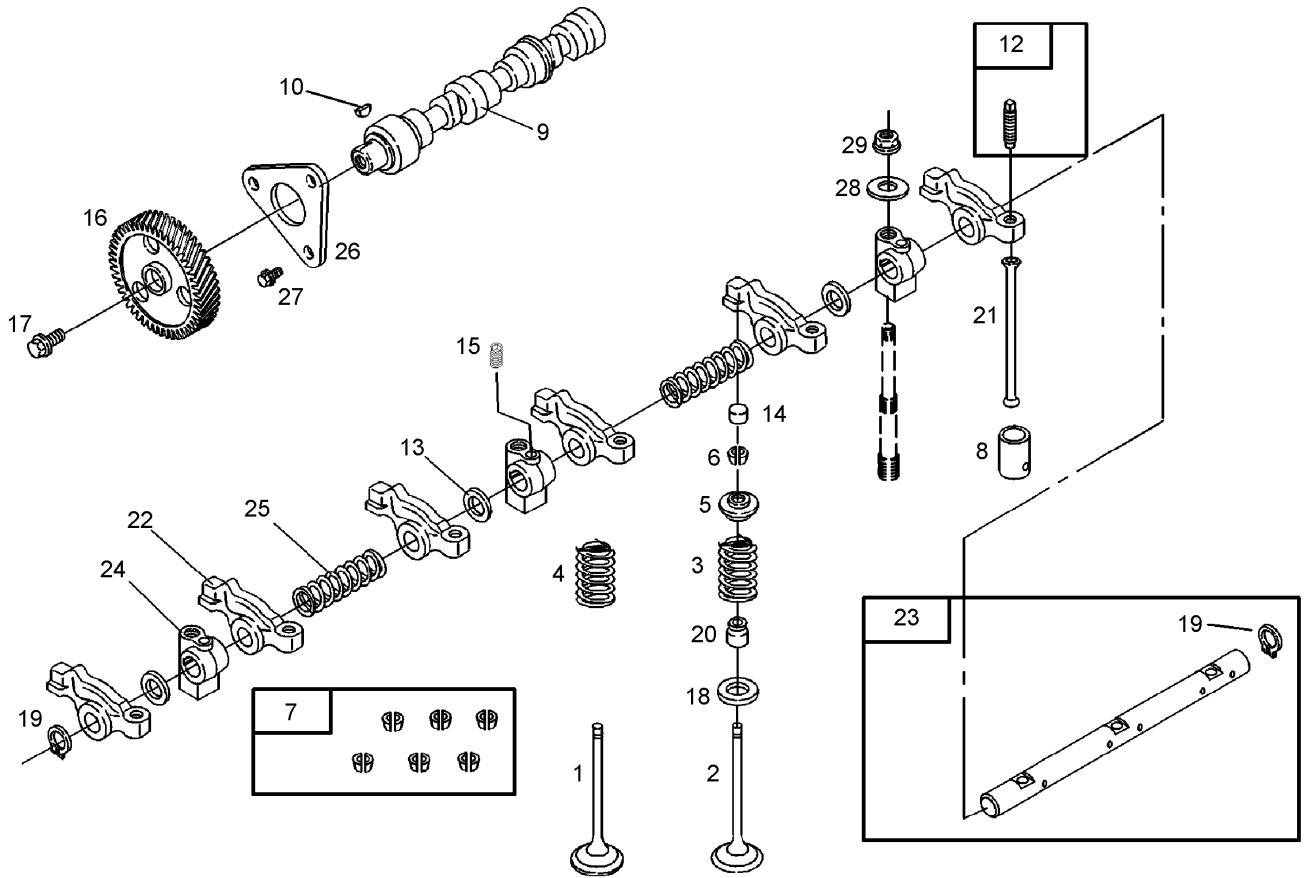
Ref	Part No.	Qty.	Description
1	105-9341	1	Head-Cylinder
2	107-9898	1	Gasket-Head, Cylinder
3	105-9342	1	Tube-Breather
4	99-9614	1	Screw-Metric
5	99-9052	1	Cap-Fill, Oil
6	99-9060	1	Plug-Welch
7	99-9008	1	Plug-Welch
8	99-9058	1	Stud-Metric
9	99-9059	1	Stud-Metric
10	99-9057	1	Stud-Metric
11	99-9063	1	Washer-Seal
12	99-9067	1	Retainer
13	99-9054	1	Screw-Hex
14	99-9061	1	Nut-Hex, Metric
15	99-9101	1	Stud-Arm, Rocker
16	99-9070	1	Bushing-Guide
17	99-9073	1	Gasket-Cover, Rocker
18	100-6402	1	Cover-Rocker
19	107-9899	1	Emmision Label Kit
20	99-9076	1	Bracket-Lifting
21	99-9077	1	Bracket-Lifting
22	99-9055	1	Stud-Metric



Injection Pump Assembly

Ref	Part No.	Qty.	Description
1	99-9622	1	Clamp-Casing
2	99-9056	1	Screw-Hex
3	99-9616	1	Screw-Hex
4	99-9689	1	Gear-Drive
5	99-9625	1	Clamp
6	99-9626	1	Bracket-Support
7	99-9628	1	Clamp-Swivel
8	99-9629	1	Hose / Clamp ASM
9	99-9630	1	Plug-Glow
10	99-9631	1	Strap-Plug, Glow
11	99-9632	1	Nozzle-Injector
12	99-9633	1	Seat-Injector
13	105-9345	1	Nut
14	99-9690	1	Pipe-Injector, No. 1
15	99-9634	1	Pipe-Injector, No. 2
16	99-9635	1	Pipe-Injector, No. 3
17	105-9334	1	Pump-Injection
18	99-9637	1	Pipe-Return, Fuel
19	99-9618	1	O-Ring
20	99-9620	1	Nut-Hex, Metric
21	99-9619	1	Nut-Hex, Metric
22	105-9343	1	Seat-Injector

--	--	--	--

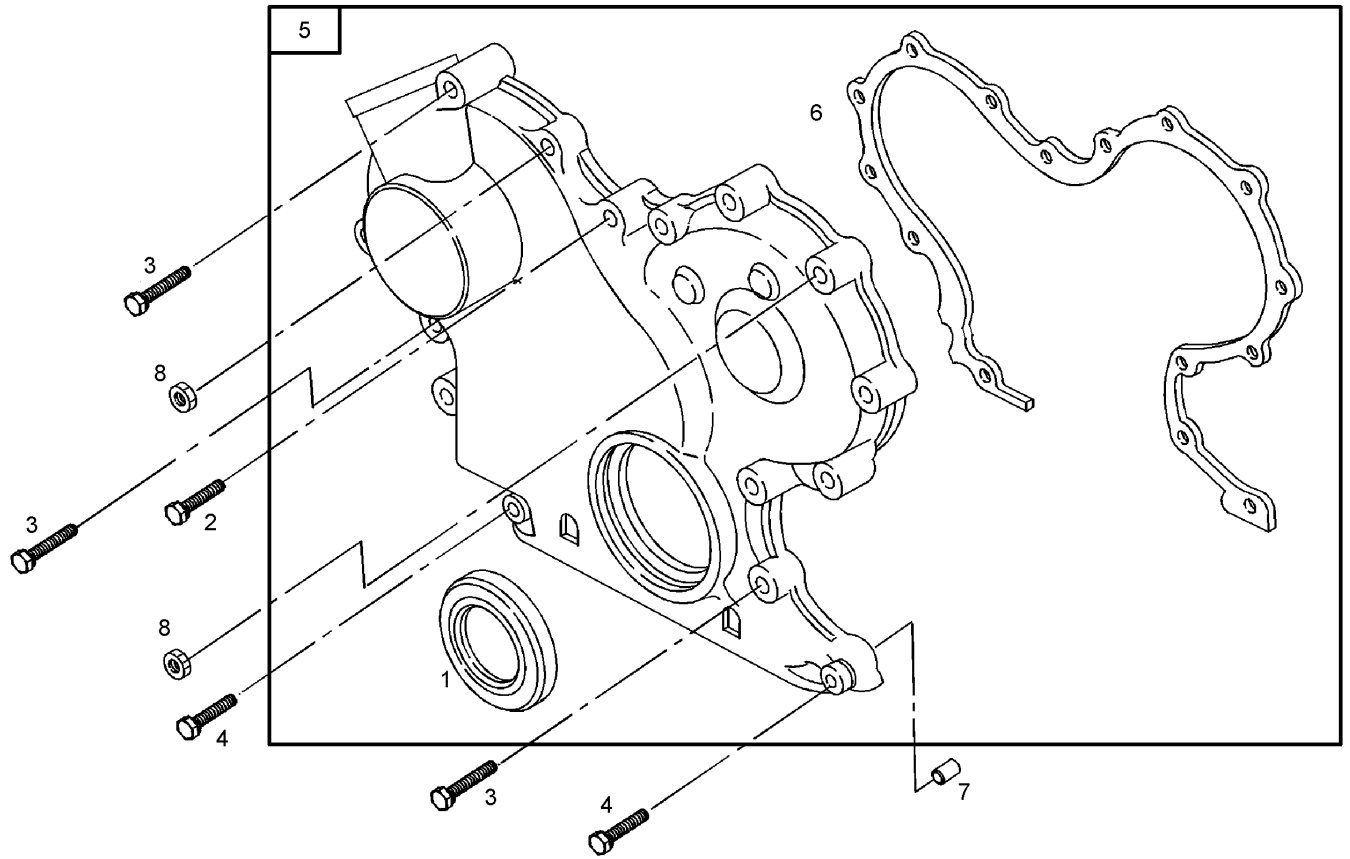


Assemblies include all parts shown in frames.

Camshaft Assembly

Ref	Part No.	Qty.	Description
1	99-9638	1	Valve-Exhaust
2	99-9639	1	Valve-Intake
3	99-9640	1	Spring-Valve
4	99-9640	1	Spring-Valve
5	99-9084	1	Retainer-Valve
6	99-9086	1	Keeper-Valve (Set)
7	99-9087	1	Keeper-Valve (Set Of 6)
8	99-9088	1	Tappet-Valve
9	99-9097	1	Shaft-Cam
10	99-9675	1	Key-Timing
12	99-9092	1	Adjuster-Arm, Rocker
13	99-9093	1	Washer-Spacer
14	99-9094	1	Cap-Valve
15	99-9090	1	Screw-Metric
16	99-9641	1	Gear-Cam
17	99-9085	1	Screw-Metric
18	99-9096	1	Seat-Spring, Valve
19	99-9099	1	Retainer
20	99-9643	1	Seal-Valve
21	99-9103	1	Rod-Push
22	99-9104	1	Arm-Rocker
23	99-9106	1	Shaft-Arm, Rocker
24	99-9107	1	Support-Arm, Rocker
25	99-9108	1	Spring-Shaft, Rocker

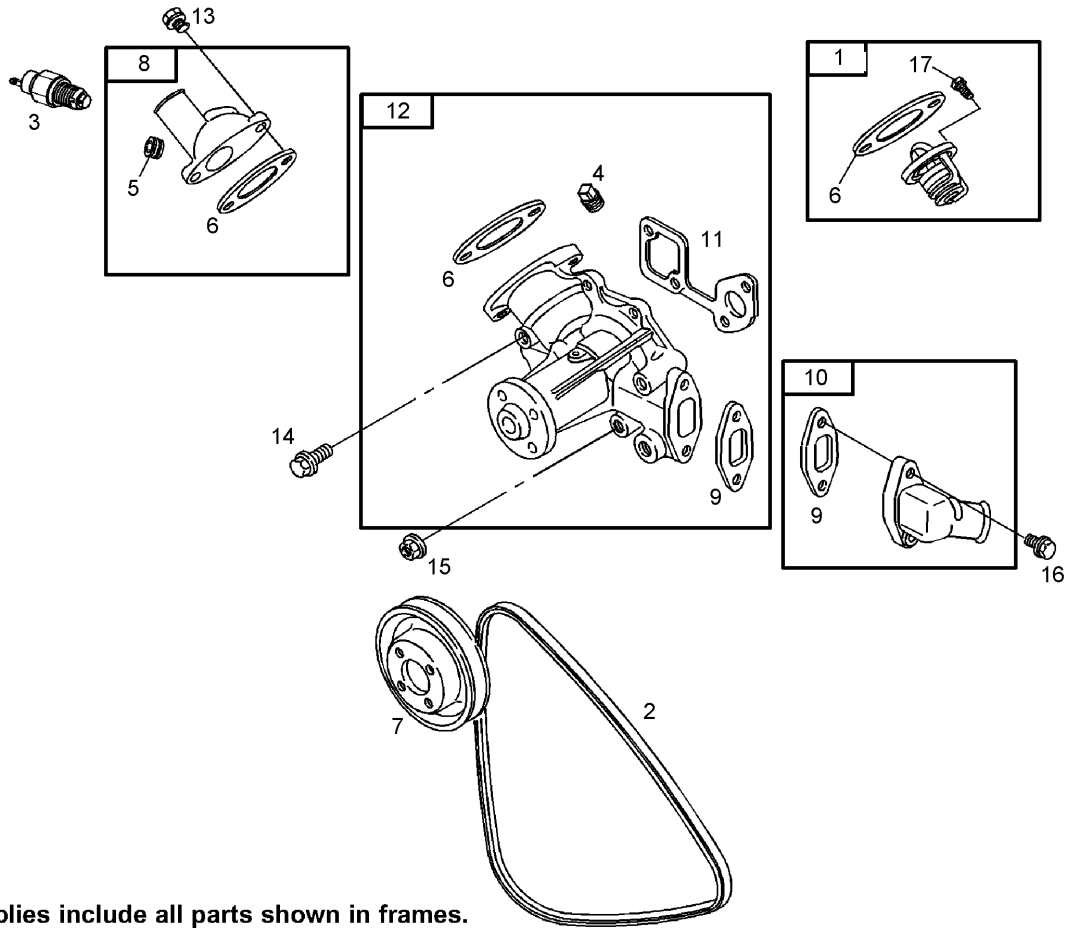
Ref	Part No.	Qty.	Description
26	99-9109	1	Retainer-Camshaft
27	99-9083	1	Screw-Hex
28	99-9079	1	Washer-Flat
29	99-9091	1	Nut-Hex, Metric



Assemblies include all parts shown in frames.

Gear Cover Assembly

Ref	Part No.	Qty.	Description
1	107-9900	1	Seal-Oil
2	99-9651	1	Screw-Hex
3	99-9128	1	Screw-Hex
4	99-9129	1	Screw-Hex
5	99-9652	1	Gear Cover ASM
6	99-9653	1	Gasket-Cover, Gear
7	99-9014	1	Pin-Locating
8	99-9114	1	Nut-Hex, Metric

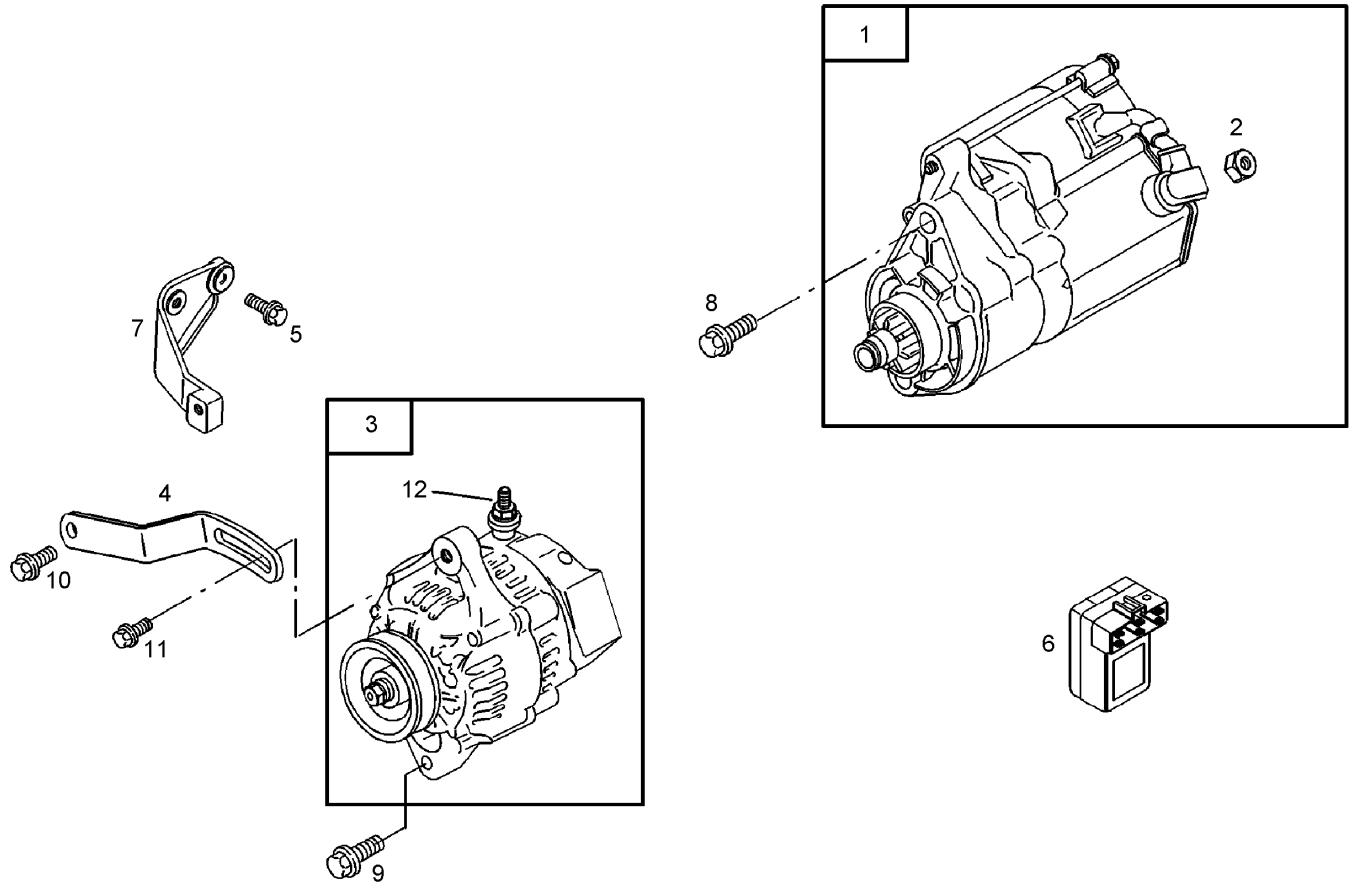


Assemblies include all parts shown in frames.

Water Pump Assembly

Ref	Part No.	Qty.	Description
1	99-9155	1	Thermostat
2	99-9156	1	Belt-V
3	107-9902	1	Switch-Temperature, Water
4	99-9159	1	Plug
5	99-9158	1	Plug
6	99-9163	1	Gasket-Outlet
7	99-9164	1	Pulley-Pump
8	99-9165	1	Housing-Outlet
9	99-9166	1	Gasket-Housing, Inlet
10	99-9167	1	Housing-Inlet
11	99-9168	1	Gasket-Pump, Water
12	99-9659	1	Pump-Water
13	99-9004	1	Screw-Hex
14	99-9151	1	Screw-Hex
15	99-9153	1	Nut-Hex, Metric
16	99-9004	1	Screw-Hex
17	99-9152	1	Screw-Metric

--	--	--	--



Assemblies include all parts shown in frames.

Starter Motor and Alternator Assembly

Ref	Part No.	Qty.	Description
1	99-9207	1	Motor-Starter
2	99-9206	1	Nut-Hex, Metric
3	99-9209	1	Alternator
4	106-1952	1	Strap-Adjusting
5	99-9203	1	Screw-Hex
6	99-9666	1	Module
7	99-9211	1	Bracket-Support
8	99-9201	1	Screw-Hex
9	99-9205	1	Screw-Hex, Metric
10	99-9202	1	Screw-Hex
11	107-9903	1	Screw-Hex, Metric
12	99-9114	1	Nut-Hex, Metric

--	--	--	--

Attachments and Accessories

For 74268 - Z590-D Z Master, With 60in TURBO FORCE Side Discharge Mower

Product Name	Model/Part
Blade-Mid Flow, 20.5 Inch	105-7715-03
Blade-Lo Flow, 20.5 Inch	105-7716-03
Blade-Recycler, 20.5 Inch	105-7777-03
Blade-Atomic, 20.5 Inch	105-8777-03
60 Inch Recycler Kit	107-1611
Striping Kit	107-1630
Turbo Baffle Kit	107-1634
Light Kit	107-9880
Roller Striping Kit	108-2162
Hitch Kit	110-0444
Cool Top ROPS Mounted Fan	110-1996
Bimini Sunshade	110-5726
Channel Reinforcement Kit	112-8674
Chute Gate Kit	78521
Triple Bag Assembly	78534
Blower and Drive Kit	78538
Filter Minder Gauge	99-4664

