



Super Recycler[®] Lawn Mower

Model No. 20090 - 280000001 and up.

Parts Catalog

Ordering Replacement Parts

To order replacement parts, please supply the part number, the quantity, and the description of each part desired.

Understanding Reference Numbers

Each identified part in an illustration has a reference number. The reference number for a part also appears in the parts list, along with other information about the part.

This catalog uses two special reference number formats, one to indicate parts in a service assembly and another to indicate the quantity of a given part in an illustration.

Service Assembly Reference Numbers

Parts in service assemblies have reference numbers in the form a:b. The a represents the reference number of the entire service assembly and the b represents a sequential number unique to each part within the service assembly.

For example, a wheel assembly might be identified by reference number 6, the tire by 6:1, the valve by 6:2, and the wheel by 6:3. When you order the assembly identified by reference number 6, you receive all parts identified by reference numbers 6:1, 6:2, and 6:3. However, you may also order any part individually. Reference numbers of this type appear in illustrations and in part lists.

Reference Numbers Indicating Quantity

In an illustration, if a reference number indicates more than one part, the reference number has the form nX y. The n represents the quantity of the part, the X is the multiplication symbol, and the y represents the reference number.

For example, in an illustration, the reference number 2X 37 means that two of the parts identified by reference number 37 are indicated.

Contents

Description	Page	Description	Page
Housing Assembly 3	Air Cleaner Assembly Briggs and Stratton 126T02-0224-B1 13
Housing Assembly No. 115-2854 4	Governor Assembly Briggs and Stratton 126T02-0224-B1 14
Discharge Door Assembly No. 107-3717 5	Muffler and Fuel Tank Assembly Briggs and Stratton 126T02-0224-B1 15
Height-of-Cut Assembly 6	Blower Housing Assembly Briggs and Stratton 126T02-0224-B1 16
Engine Assembly 7	Starter Assembly Briggs and Stratton 126T02- 0224-B1 17
Handle Assembly 8	Engine Gasket Set Briggs and Stratton 126T02-0224-B1 18
Cylinder Assembly Briggs and Stratton 126T02-0224-B1 9	Carburetor Overhaul Kit Briggs and Stratton 126T02-0224-B1 19
Crankshaft Assembly Briggs and Stratton 126T02-0224-B1 10	Attachments and Accessories List 20
Crankcase Assembly Briggs and Stratton 126T02-0224-B1 11		
Carburetor Assembly Briggs and Stratton 126T02-0224-B1 12		

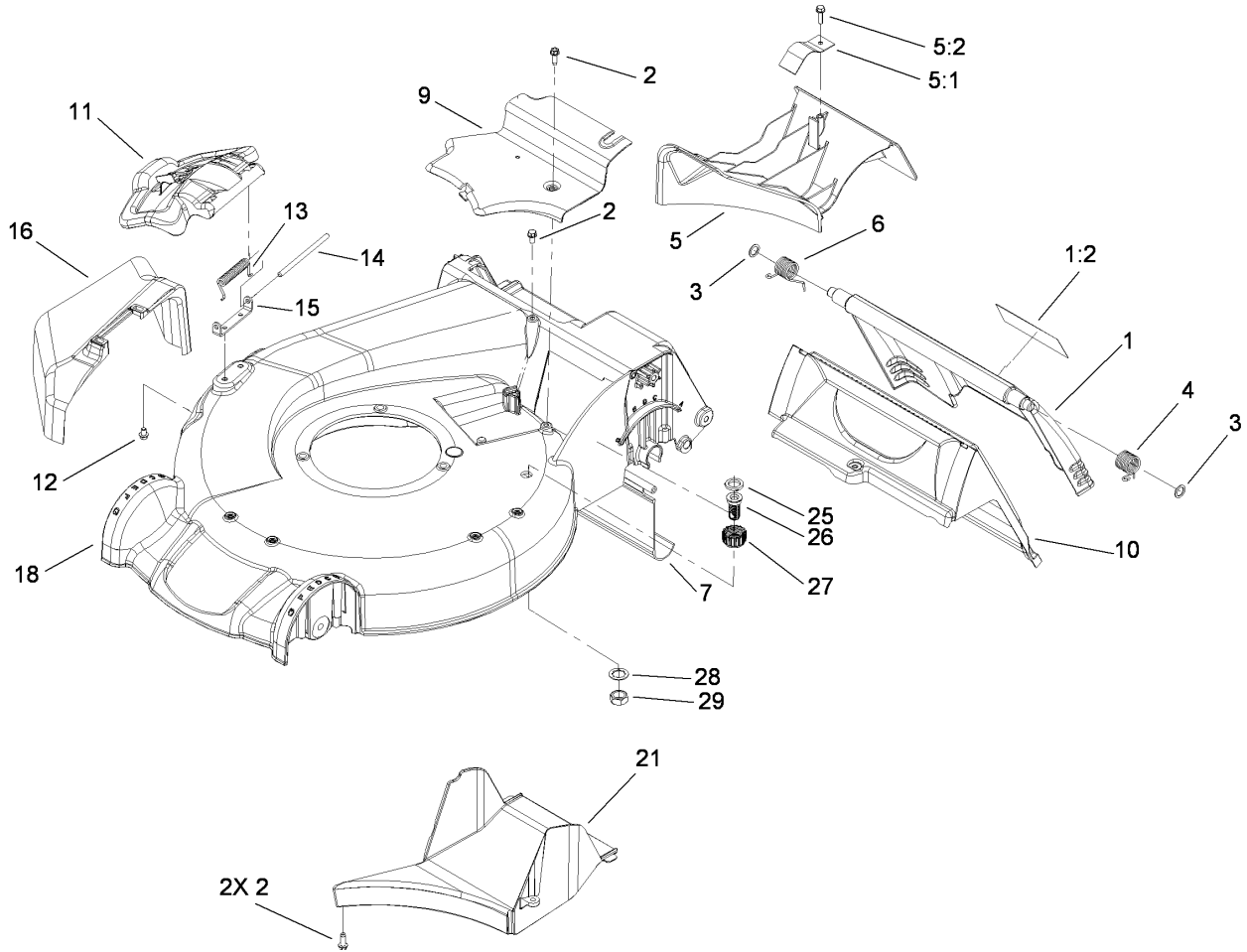
Part Description Abbreviations

Part descriptions in this catalog may include the following abbreviations.

AR. as required	HYD. hydraulic
ASM. assembly	LH. left hand
BBC. blade brake clutch	NI. nylon insert
CARR. carriage	NPTF. national pipe thread fine
DEG. degrees	PFH. phillips flat head
EXT. external	PPH. phillips pan head
FH. flat head	PPHTF. phillips pan head thread forming
GA. gauge	PRH. phillips round head
HD. heavy-duty	PTH. phillips truss head
HF. hex flange	PTO. power-take-off
HH. hex head	RH. right hand
HHF. hex head flange	ROPS. roll-over protection system
HHFTF. hex head flange thread forming	SFH. slotted fillister head
HJ. hex jam	SHH. slotted hex head
HLH. hex lag head	SHWH. slotted hex washer head
HOC. height-of-cut	SPH. slotted pan head
HSBH. hex socket button head	SQH. square head
HSFH. hex socket flat head	SRH. slotted round head
HSH. hex socket head	STD. standard
HWH. hex washer head	TAP. self tapping
HWHTF. hex washer head thread forming	TTH. torx truss head

Footnotes

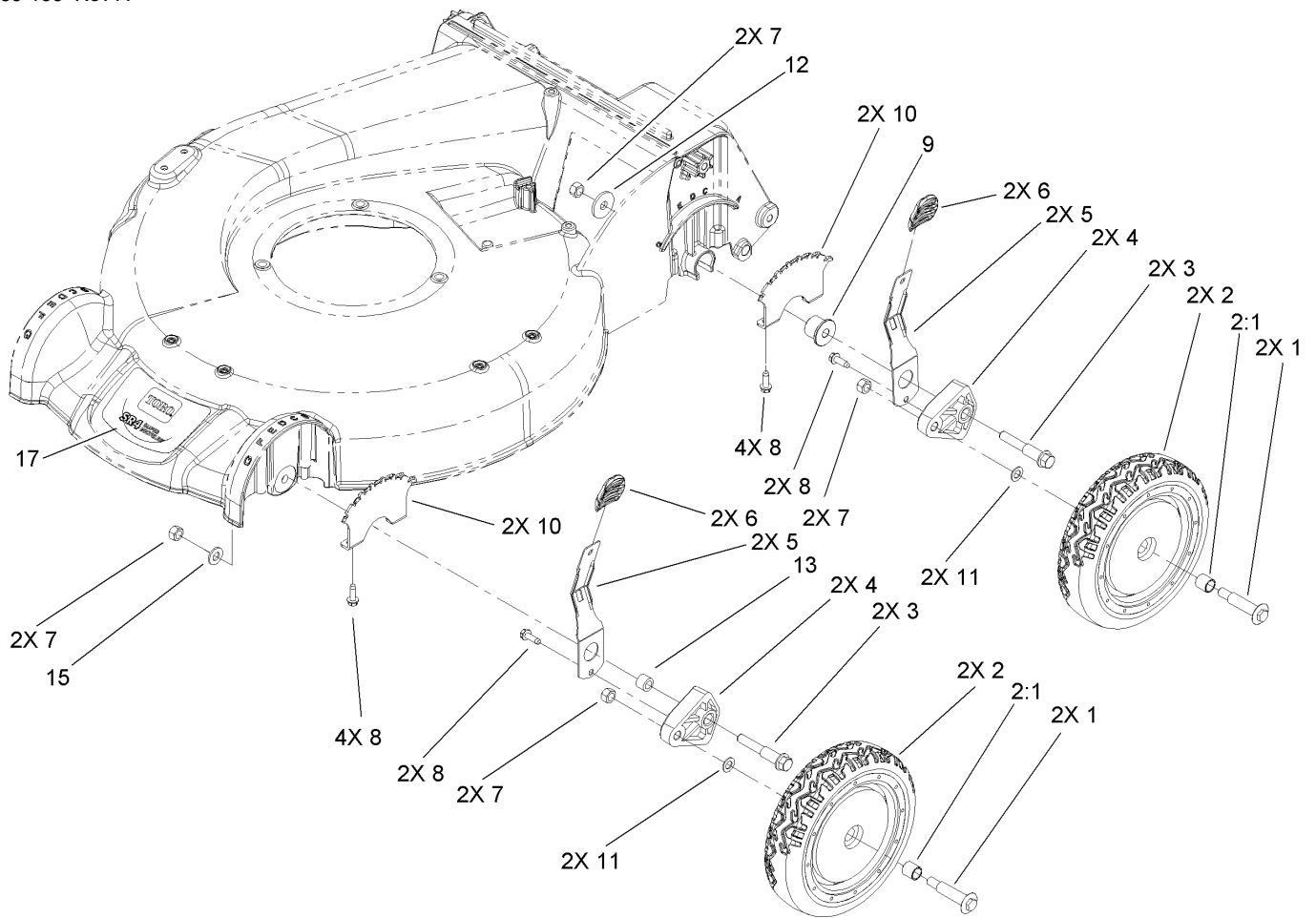
- | | |
|--|---|
| ❶ Not serviced separately | ❷ Obtain from your local Briggs & Stratton dealer |
| ❸ Included in Carburetor Overhaul Kit (Ref. No. 121) | ❹ Included in Engine Gasket Set (Ref. No. 358) |
| ❺ Included in Carburetor Gasket Set (Ref. No. 977) | |



Housing Assembly

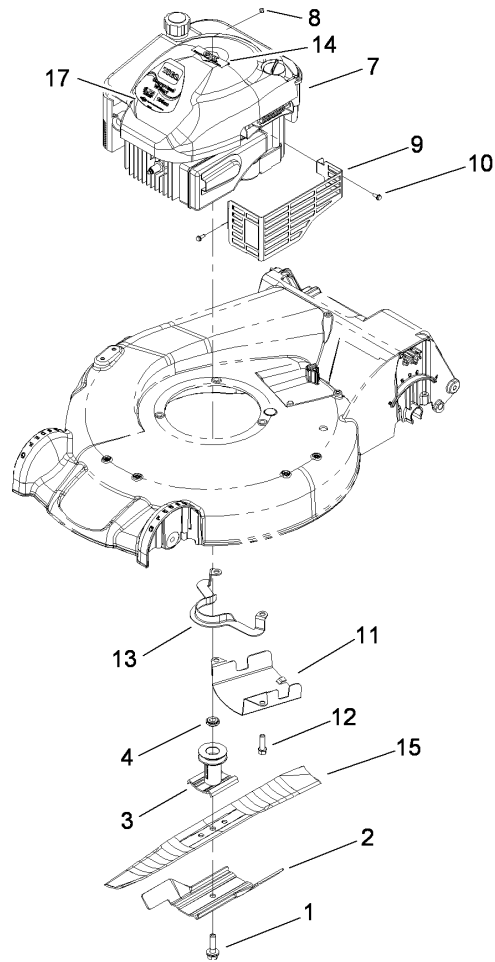
Ref	Part No.	Qty.	Description
1	114-7992	1	Rear Door ASM
1:2	114-7982	1	Decal-Warning, Ce
2	49-2040	4	Screw-HWHTF
3	94-8196	2	Washer-Nylon
4	115-2859	1	Spring-Torsion
5	115-4656	1	Plug-Mulch ASM
5:1	115-4655	1	Tab-Spring
5:2	46-8091	1	Screw-HWH
6	114-7924	1	Spring-Torsion
7	114-1586	1	Shield-Trailing
9	107-7494	1	Cover-Belt
10	114-2668	1	Chute
11	107-3717	1	Discharge Door ASM
12	99-8445	2	Screw-HWH
13	99-5293	1	Spring-Torsion
14	99-5291	1	Rod-Cover
15	112-6416	1	Bracket-Cover
16	108-3753	1	Chute-Discharge, Side
18	115-2854	1	Housing ASM
21	107-7495	1	Tunnel-Discharge
25	112-6438	1	Washer-Seal, Washout Port
26	112-6400	1	Port-Washout
27	112-6401	1	Coupling-Hose, Washout Port
28	3254-5	1	Washer-Tooth

Ref	Part No.	Qty.	Description
29	3218-6	1	Nut-Jam



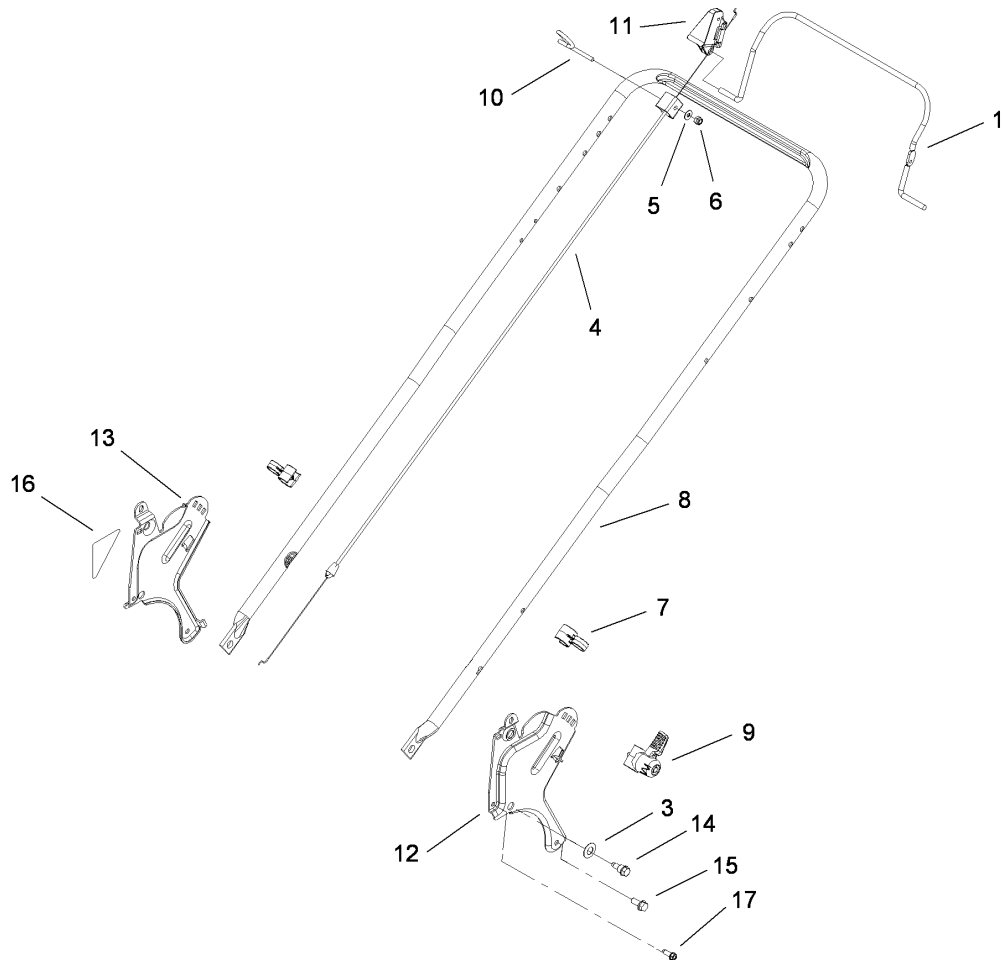
Height-of-Cut Assembly

Ref	Part No.	Qty.	Description
1	92-1057	4	Bolt-Shoulder
2	107-3708	4	Wheel ASM
2:1	27-6250	2	Bushing
3	107-7498	4	Screw-Shoulder, HOC
4	107-7492	4	Arm-Pivot
5	107-7491	4	Arm-Spring
6	105-3042	4	Knob-Lever, HOC
7	603773	8	Nut
8	49-2040	12	Screw-HWHTF
9	108-9758	2	Spacer-Hp
10	107-7478	4	Plate-HOC
11	40-1940	4	Washer
12	2844	2	Washer
13	52-2480	2	Spacer-Wheel
15	3256-24	2	Washer-Flat
17	108-8168	1	Decal



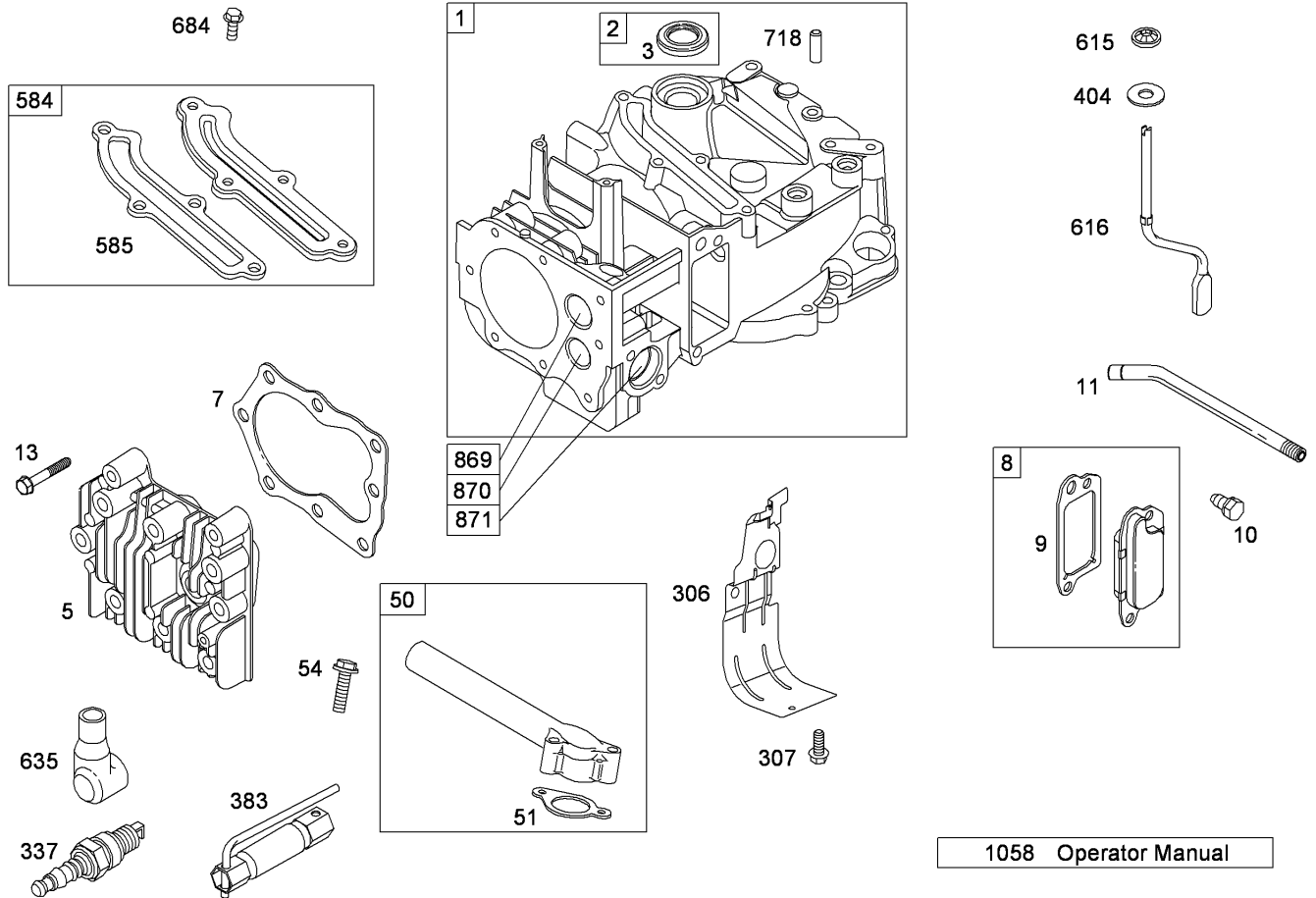
Engine Assembly

Ref	Part No.	Qty.	Description				
1	105-8579	1	Bolt-Blade				
2	105-6848-03	1	Accelerator-Blade				
3	106-3987	1	Blade Driver ASM				
4	106-3999	1	Spacer-Driver				
1 27		1	Engine-Briggs And Stratton, 126T02-0224-B1				
8	2210-316	1	Stop-Rope				
9	104-7577-03	1	Shield-Muffler				
10	32144-1	3	Screw-Taptite				
11	107-7489-03	1	Shield-Grass				
12	95-1727	3	Screw-Taptite				
13	108-8110-03	1	Guide-Belt				
14	108-8130	1	Decal-Recoil				
15	108-3762-03	1	Blade-Recycling				
17	114-0339	1	Decal-Engine				



Handle Assembly

Ref	Part No.	Qty.	Description
1	105-6800-03	1	Bail-Brake
3	112-9972	2	Washer-Conical, Spring
4	108-8156	1	Cable-Brake
5	3256-1	1	Washer-Flat
6	3296-73	1	Nut-Lock, NI
7	106-6805	1	Guide-Cable
8	115-1300-05	1	Handle
9	115-2860	2	Quick Release ASM
10	106-8330	1	Guide-Rope
11	107-0757	1	Stop-Pivot
12	114-2671-03	1	Bracket-Handle, LH
13	114-2672-03	1	Bracket-Handle, RH
14	115-1958	2	Bolt-Shoulder
15	32144-11	2	Screw-HWHTF
16	115-2884	1	Decal-Instruction
17	49-2040	2	Screw-HWHTF

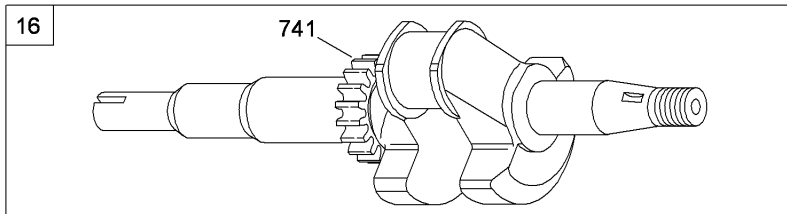
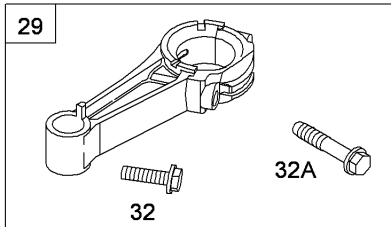
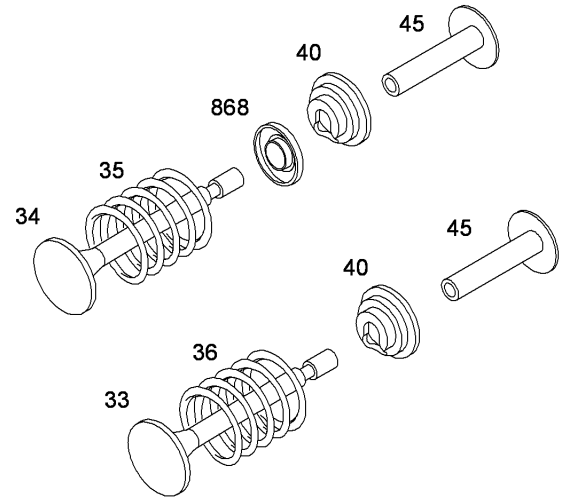
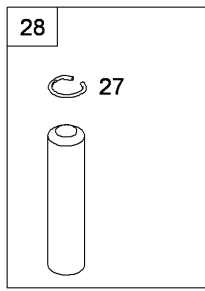
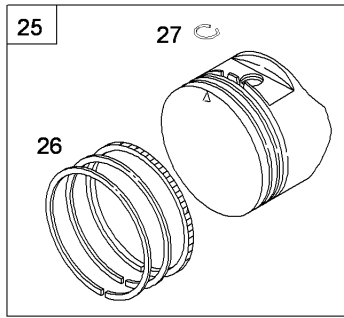


Assemblies include all parts shown in frames

Cylinder Assembly Briggs and Stratton 126T02-0224-B1

Ref	Part No.	Qty.	Description
1	697322	1	Cylinder ASM
2	399269	1	Bushing And Seal Kit
3	299819s	1	Seal-Oil (Magneto Side)
5	691160	1	Head-Cylinder
7	692249	1	Gasket-Head, Cylinder
8	695250	1	Breather ASM
9	696125	1	Gasket-Breather
10	691125	1	Screw (Breather ASM)
11	691781	1	Tube-Breather
13	690912	1	Screw (Cylinder Head)
50	794305	1	Manifold-Intake
51	794306	1	Gasket-Intake
54	691650	1	Screw (Intake Manifold)
306	790836	1	Shield-Cylinder
307	690345	1	Screw (Cylinder Shield)
337	802592s	1	Plug-Spark
383	89838s	1	Wrench-Spark Plug
404	690272	1	Washer (Governor Crank)
584	697734	1	Cover-Passage, Breather
585	691879	1	Gasket-Passage, Breather
615	690340	1	Retainer-Shaft, Governor
616	698801	1	Crank-Governor
635	66538s	1	Boot-Spark Plug
684	690345	1	Screw (Breather Passage Cover)

Ref	Part No.	Qty.	Description
718	690959	1	Pin-Locating
869	691155	1	Seat-Valve (Intake)
870	690380	1	Seat-Valve (Exhaust)
871	262001	1	Bushing-Guide (Exhaust)
871	63709	1	Bushing-Guide (Intake)
1058	277039TRI	1	Operator Manual

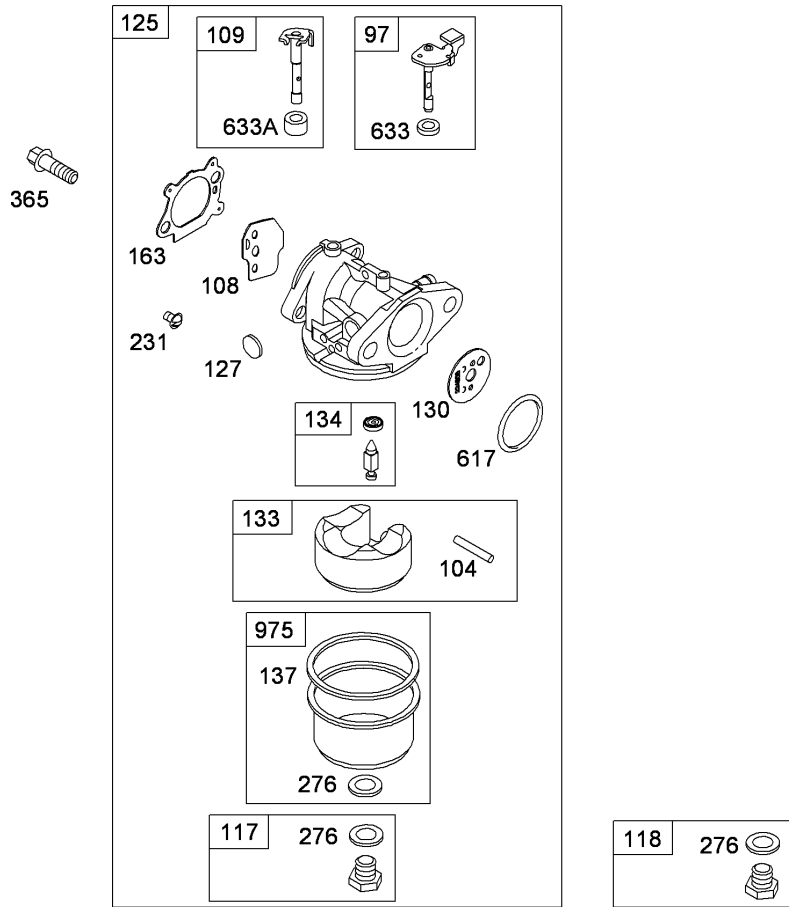


Assemblies include all parts shown in frames

Crankshaft Assembly Briggs and Stratton 126T02-0224-B1

Ref	Part No.	Qty.	Description
②16	696009	1	Crankshaft
②24	222698s	1	Key-Flywheel
②25	795429	1	Piston ASM (STD)
②25	795430	1	Piston ASM (.020 Oversize)
②26	795431	1	Ring Set (STD)
②26	795432	1	Ring Set (.020 Oversize)
②27	691866	1	Lock-Pin, Piston
②28	499423	1	Pin-Piston (STD)
②29	499424	1	Rod-Connecting
②32	691664	1	Screw (Connecting Rod)
②32A	695759	1	Screw (Connecting Rod)
②33	262651s	1	Valve-Exhaust
②34	262652s	1	Valve-Intake
②35	691270	1	Spring-Valve (Intake)
②36	691270	1	Spring-Valve (Exhaust)
②40	692194	1	Retainer-Valve
②45	690548	1	Tappet-Valve
②741	790345	1	Gear-Timing
②868	697338	1	Seal-Valve

--	--	--	--

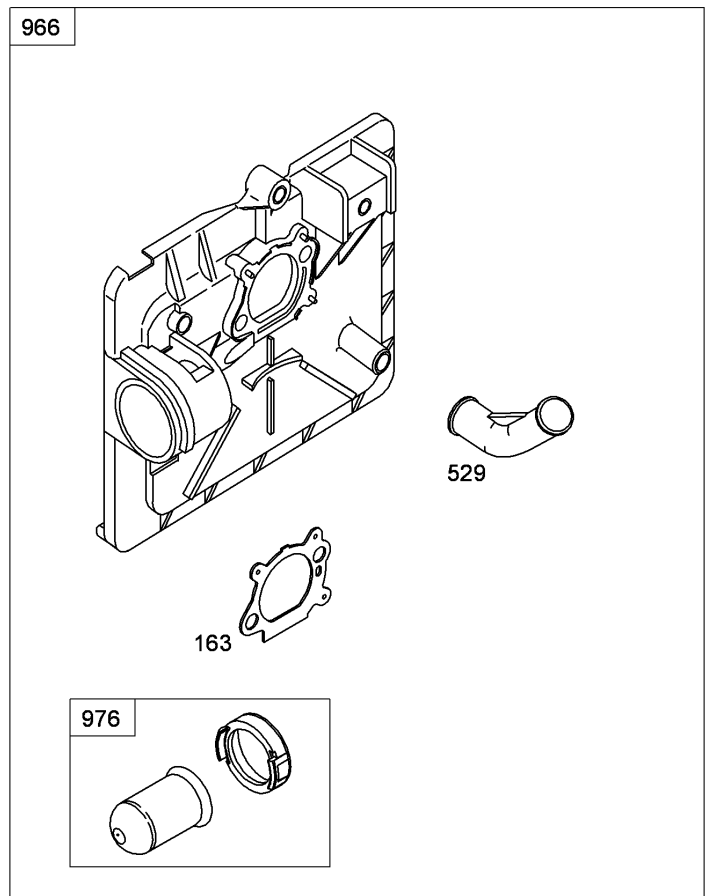
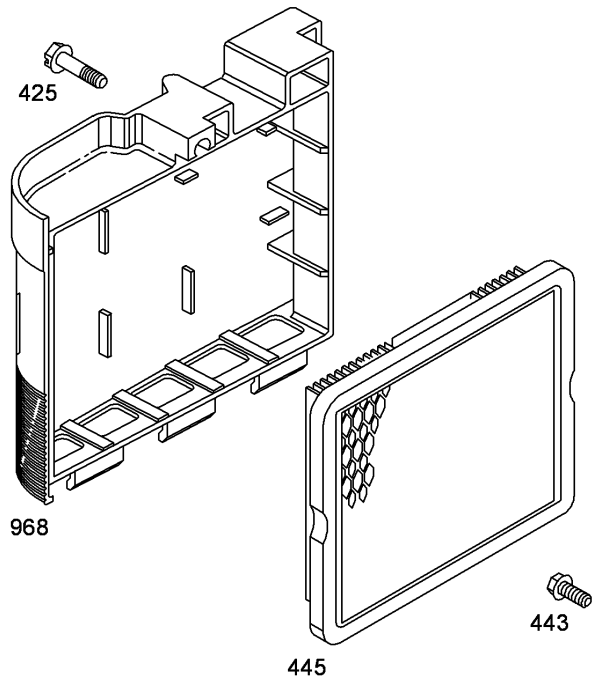


Assemblies include all parts shown in frames

Carburetor Assembly

Briggs and Stratton 126T02-0224-B1

Ref	Part No.	Qty.	Description
297	696565	1	Shaft-Throttle
25104	691242	1	Pin-Hinge, Float
2108	790844	1	Valve-Choke
2109	790843	1	Shaft-Choke
2117	691428	1	Jet-Main (STD)
2118	498977	1	Jet-Main (High Altitude)
2125	794304	1	Carburetor
25127	694468	1	Plug-Welch
2130	696564	1	Valve-Throttle
2133	398187	1	Float-Carburetor
25134	398188	1	Needle And Seat Kit
55137	693981	1	Gasket-Bowl, Float
25163	272653s	1	Gasket-Cleaner, Air
45			
2231	691636	1	Screw (Choke Valve)
25276	271716	1	Washer-Sealing
5			
2365	692524	1	Screw (Carburetor)
25617	270344s	1	Seal-O Ring (Intake Manifold)
5			
25633	691321	1	Seal-Shaft, Choke Throttle
5			
25633A	693867	1	Seal-Shaft, Choke Throttle
5			
2975	493640	1	Bowl-Float

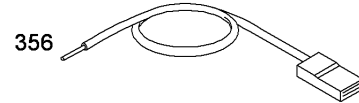
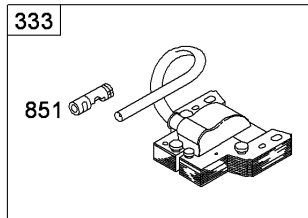
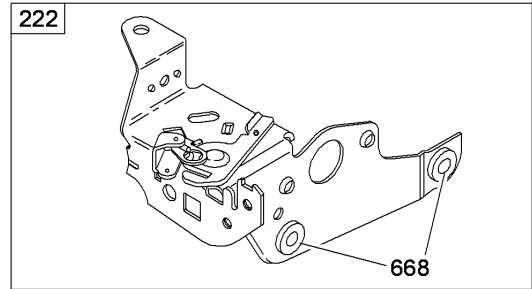
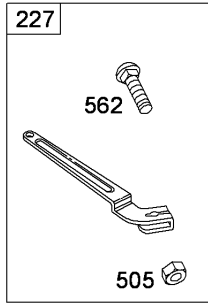
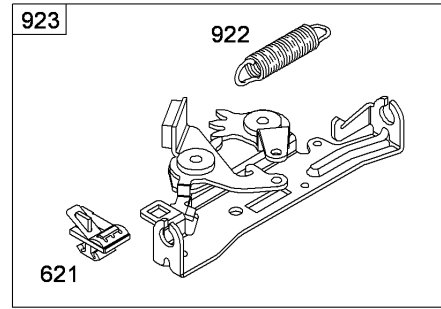
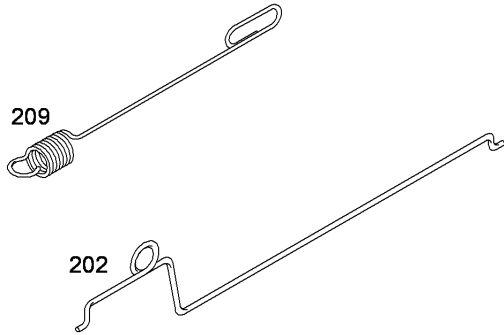


Assemblies include all parts shown in frames

Air Cleaner Assembly Briggs and Stratton 126T02-0224-B1

Ref	Part No.	Qty.	Description
② ③ 163 ① ⑤	272653s	1	Gasket-Cleaner, Air
② 425	690670	1	Screw (Air Cleaner Cover)
② 443	692523	1	Screw (Air Cleaner Primer Base)
② 445	491588s	1	Filter-Cartridge, Air Cleaner
② 529	691923	1	Grommet
② 966	792040	1	Base-Primer, Air Cleaner
② 968	692298	1	Cover-Cleaner, Air
② 976	694395	1	Primer-Carburetor

--	--	--	--

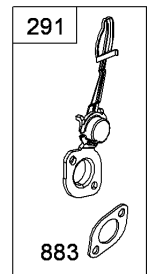
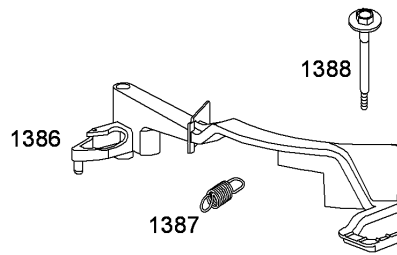
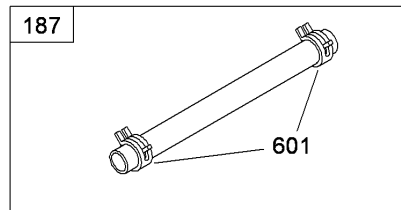
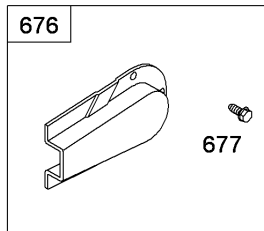
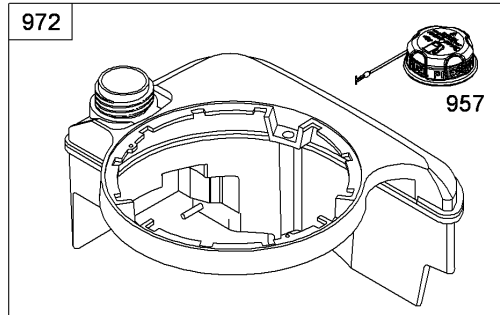
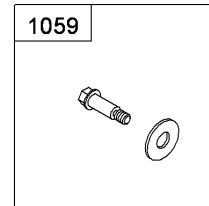
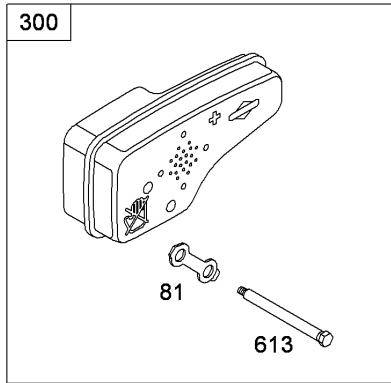


Assemblies include all parts shown in frames

Governor Assembly Briggs and Stratton 126T02-0224-B1

Ref	Part No.	Qty.	Description
②188	693399	1	Screw (Control Bracket)
②202	691829	1	Link-Governor, Mechanical
②209	691292	1	Spring-Governor
②222	793754	1	Bracket-Control
②227	690783	1	Lever-Control, Governor
②333	790817	1	Armature-Magneto
②334	691061	1	Screw (Magneto Armature)
②356	692390	1	Wire-Stop
②505	691251	1	Nut (Governor Control Lever)
②562	691119	1	Bolt (Governor Control Lever)
②621	692310	1	Switch-Stop
②④668	493823	1	Spacer
②745	691648	1	Screw (Brake)
②851	493880s	1	Terminal-Spark Plug
②922	691831	1	Spring-Brake
②923	691994	1	Brake ASM

--	--	--	--

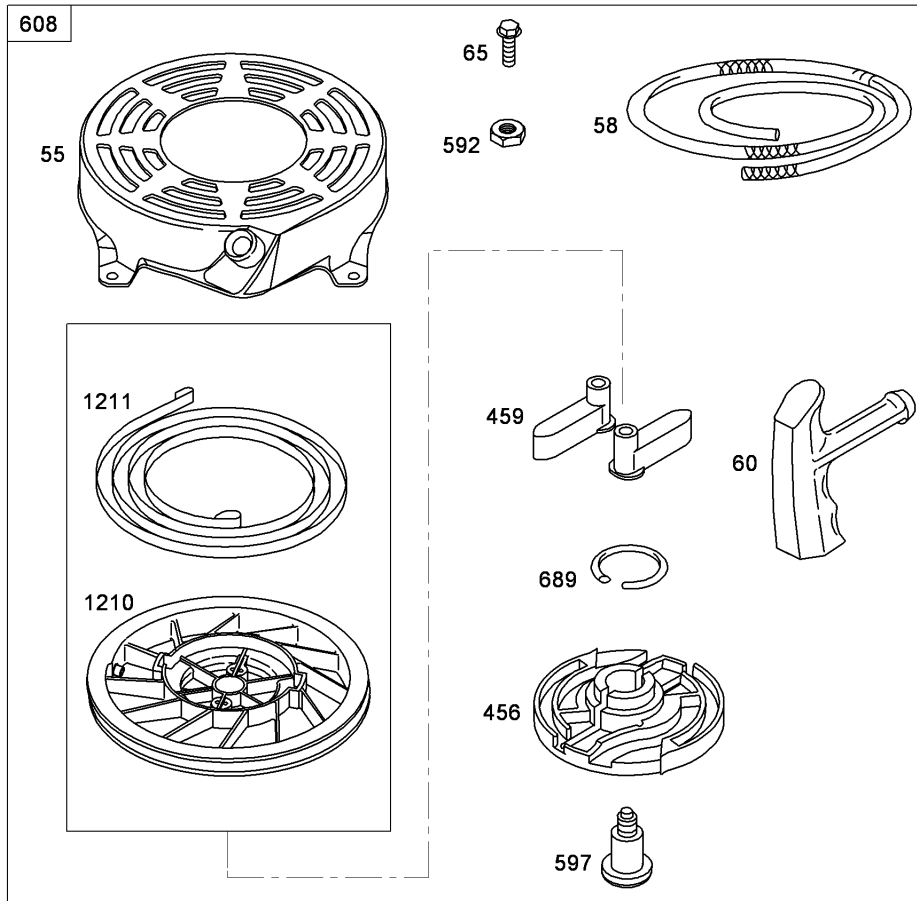


Assemblies include all parts shown in frames

Muffler and Fuel Tank Assembly Briggs and Stratton 126T02-0224-B1

Ref	Part No.	Qty.	Description
81	691740	1	Lock-Screw, Muffler
187	791766	1	Line-Fuel (Cut To Required Length)
190	690940	1	Screw (Fuel Tank)
291	790830	1	Thermostat
300	692038	1	Muffler
601	791850	1	Clamp-Hose
613	691340	1	Screw (Muffler)
670	692294	1	Spacer-Tank, Fuel
676	493871	1	Deflector-Muffler
677	690661	1	Screw (Muffler Deflector)
883	691881	1	Gasket-Exhaust
957	699985	1	Cap-Tank, Fuel
972	699374	1	Tank-Fuel
1059	692311	1	Screw And Washer Kit
1386	790848	1	Vane-Air
1387	790849	1	Spring-Vane, Air
1388	790850	1	Screw (Air Vane)

--	--	--	--



Assemblies include all parts shown in frames

Starter Assembly Briggs and Stratton 126T02-0224-B1

Ref	Part No.	Qty.	Description
②55	691421	1	Housing-Starter, Rewind
②58	697316	1	Rope-Starter (Cut To Required Length)
②60	281434s	1	Grip-Rope, Starter
②65	690837	1	Screw (Rewind Starter)
②456	692299	1	Plate-Friction, Pawl
②459	281505s	1	Ratchet-Pawl
②592	690800	1	Nut (Rewind Starter)
②597	691696	1	Screw (Pawl Friction Plate)
②608	497680	1	Starter-Rewind
②689	691855	1	Spring-Friction
②1210	498144	1	Pulley And Spring ASM (Pulley)
②1211	498144	1	Pulley And Spring ASM (Spring)

--	--	--	--

Attachments and Accessories

For 20090 - Super Recycler Lawn Mower

Product Name	Model/Part
Bagging Blade	108-3759-03
Traction Assist Handle Kit	108-8120
Toro Walk Mower Cover	490-7462
Plain Walk Mower Cover	490-7463
Dethatcher Kit	59131
Bagger Kit	59165

NOTES

NOTES

NOTES

