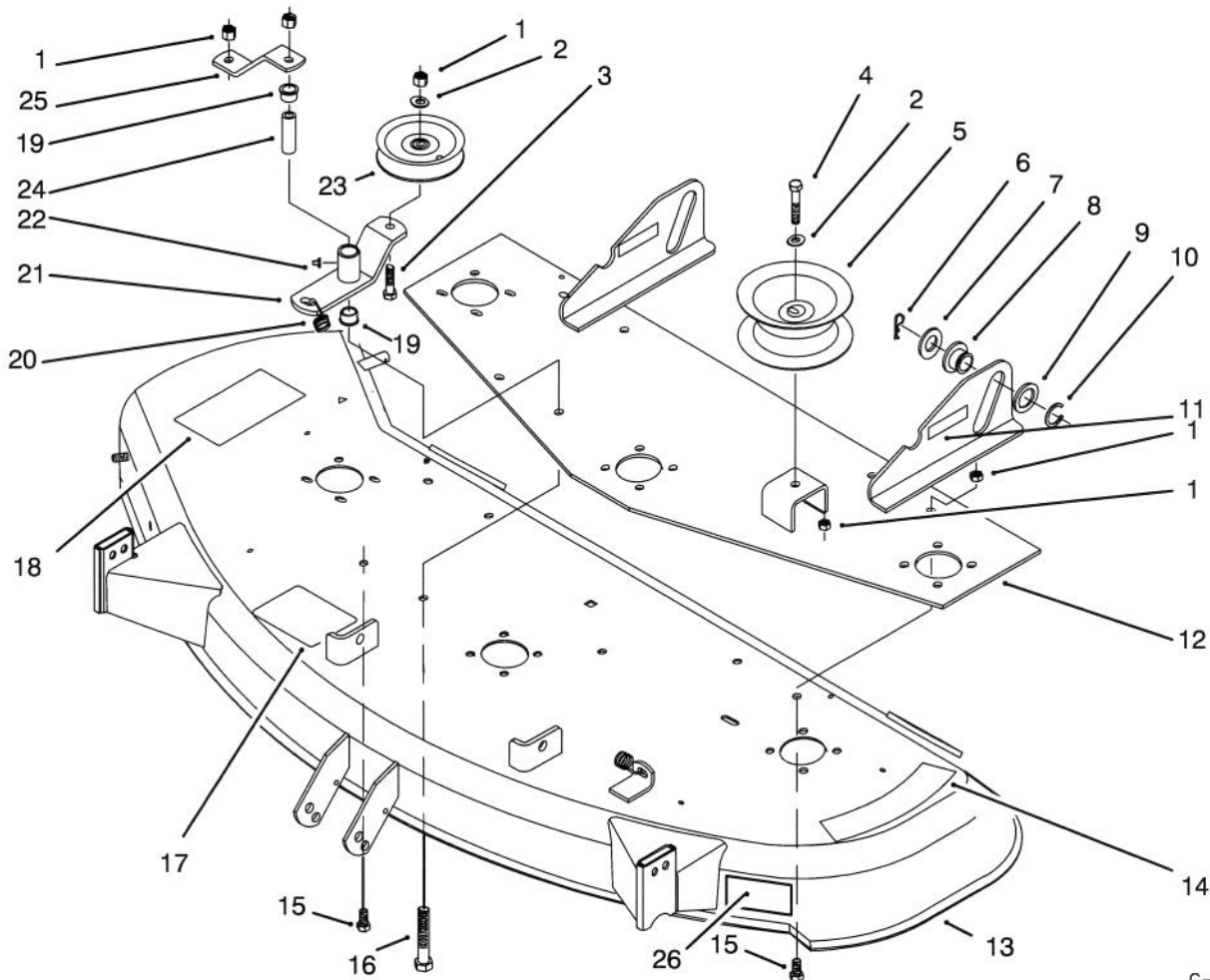




MODEL NO. 78260-390001 & UP

**PARTS CATALOG**

**WHEEL HORSE®**  
48" Rotary Cutting Unit

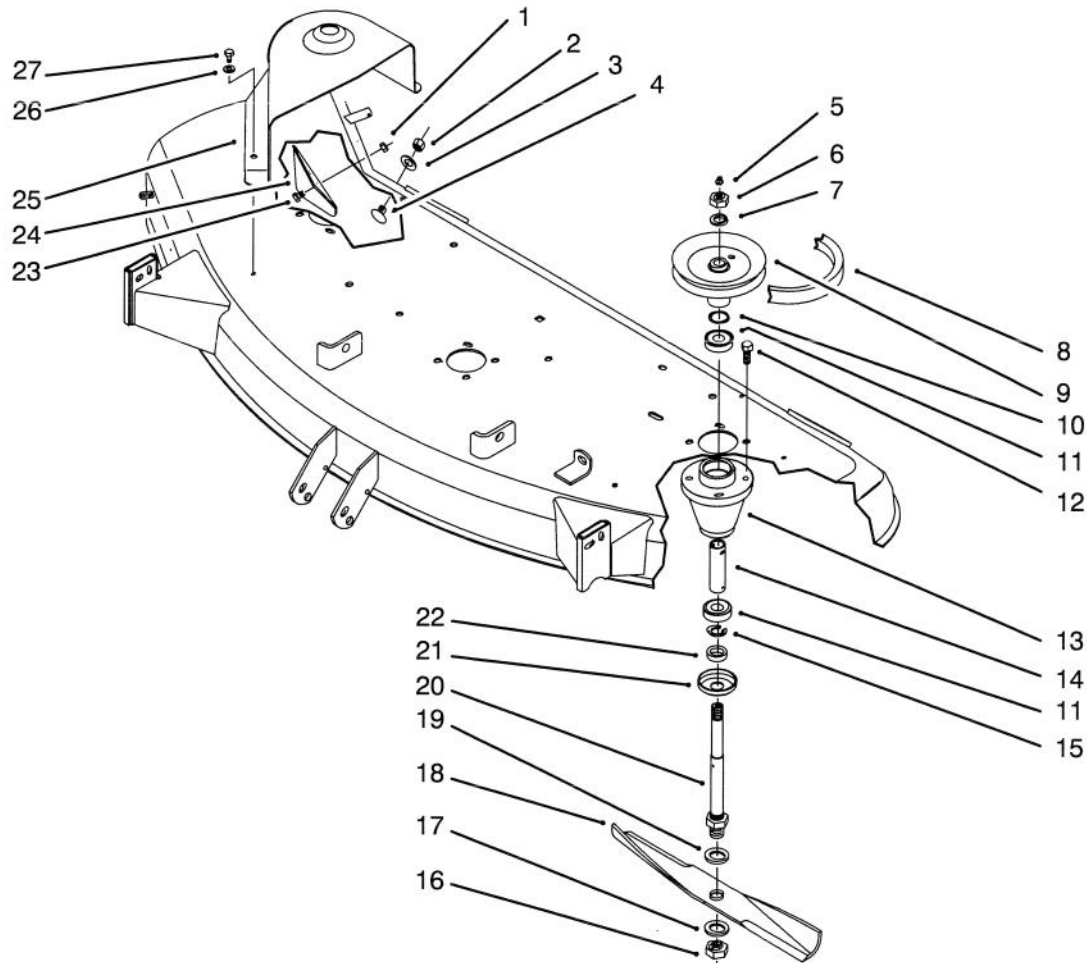


C-1130

**DECK & IDLER ASSEMBLY**

Ref. No.	Part No.	Description	No. Used
1	3296-39	Nut - Hex	8
2	3256-24	Washer - Flat	2
3	323-9	Screw - Hex Hd. Cap	1
4	323-11	Screw - Hex Hd. Cap	1
5	78-8250	Pulley - Idler	1
6	933507	Cotter - Hair Pin	2
7	3256-28	Washer - Flat	2
8	78-7340	Roller - Lift	2
9	920239	Washer	2
10	32151-29	Ring - Retaining	2
11	115196	Decal - Attach-A-Matic	2
12	79-4410	Plate - Support	1
13	92-6320	Deck & Decal Assy. (Incl. ref.# 14 & 18)	1

Ref. No.	Part No.	Description	No. Used
14	76-4070	Decal - Danger	1
15	323-6	Screw - Hex Hd. Cap	5
16	323-14	Screw - Hex Hd. Cap	1
17	116286	Decal - Belt	1
18	66-1340	Decal - Danger	1
19	109859	Bushing - Flange	2
20	116172	Spring	1
21	78-3150	Arm - Idler	1
22	302-26	Fitting - Grease	1
23	115119	Pulley - Idler	1
24	79-2760	Spacer	1
25	78-3140	Strap - Brace	1
26	68-3380	Decal - Wheel Adjustment	2



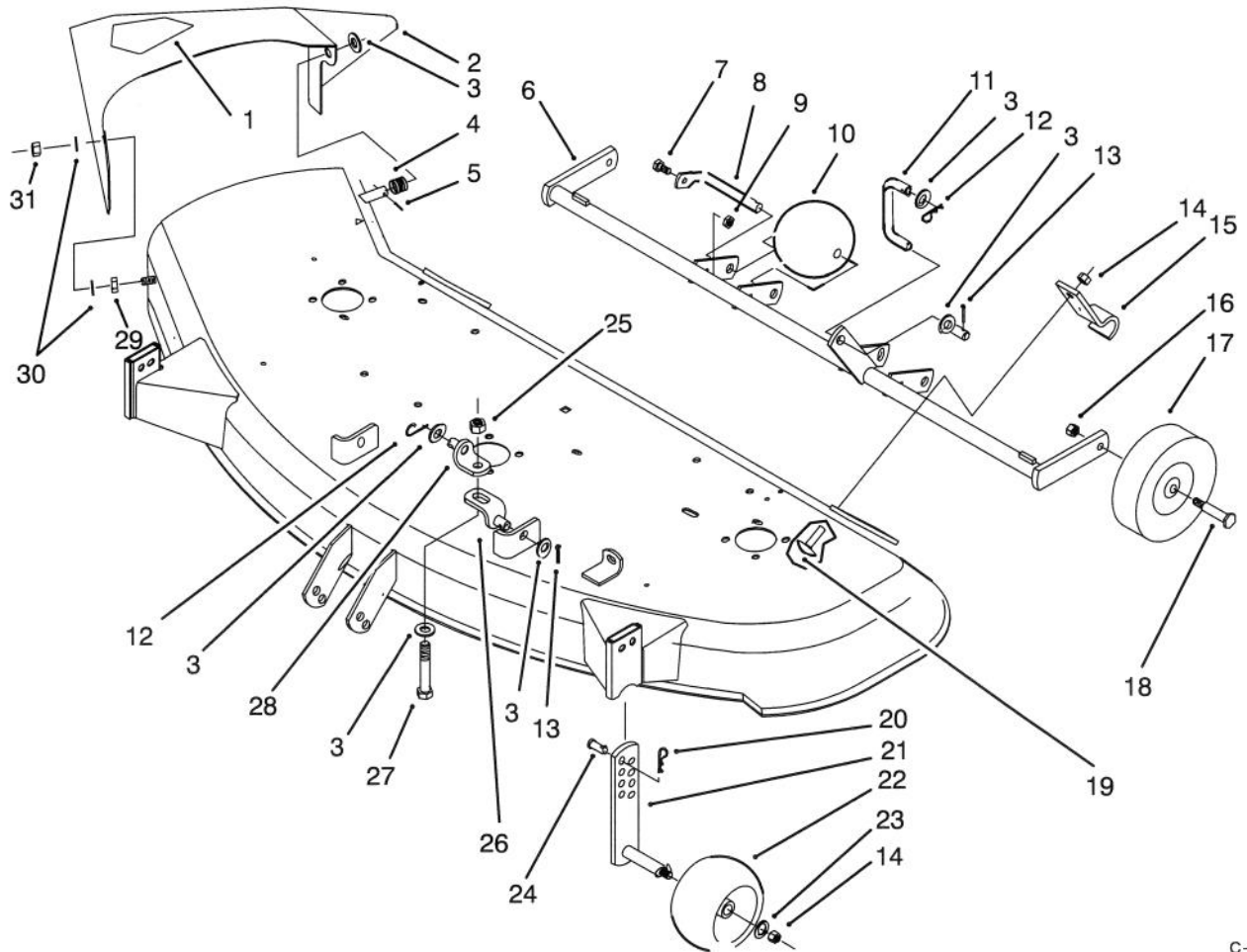
C-1131

## COVER & SPINDLE ASSEMBLY

Ref. No.	Part No.	Description	No. Used
1	3296-29	Nut - Hex	2
2	3296-39	Nut - Hex	6
3	3256-26	Washer - Flat	6
4	3231-1	Bolt - Carriage	6
5	302-5	Fitting - Grease	3
6	3220-6	Nut - Hex Jam	3
7	3253-8	Washer - Lock	3
8	79-5280	Belt - V	1
9	79-5540	Pulley - Spindle	3
10	971015	Seal	3
11	109966	Bearing - Ball	6
12	9080326	Screw - Hex Hd. Cap	12
13	114568	Housing - Spindle	3
14	116085	Tube	3
15	32120-42	Ring - Retaining Internal	3

Ref. No.	Part No.	Description	No. Used
16	3220-7	Nut - Hex Jam	3
17	3256-44	Washer - Flat	3
18	106637	Blade Kit - 16" (Set of 3)	1
19	920257	Washer - Flat	3
20	78-6710	Shaft - Spindle	3
21	106067	Cup - Spindle	3
22	106068	Spacer - Blade	3
23	322-3	Screw - Hex Hd. Cap	2
24	116189	Guard - Chute	1
25	86-9220	Cover - Belt R.H.	1
*	86-9210	Cover - Belt L.H.	1
26	3256-22	Washer - Flat	6
27	926671	Screw - Hex Washer Hd. Thread Forming	6

\*Not Illustrated



C-1132

## SUSPENSION ASSEMBLY

Ref. No.	Part No.	Description	No. Used
1	54-9220	Decal - Danger	1
2	92-6321	Chute & Decal Assemmbly (Incl. ref.# 1)	1
3	3256-26	Washer - Flat	9
4	116081	Spring	1
5	3272-10	Pin - Cotter	1
6	79-4140	Support - Gage Wheel	1
7	321-4	Screw - Hex Hd. Cap	3
8	118960	Shaft - Roller	3
9	3296-42	Hex Nut	3
10	29-4820	Roller	3
11	79-5380	Link - Rear	1
12	933506	Cotter - Hair Pin	3
13	3272-21	Pin - Cotter	3
14	3296-39	Nut - Hex	6
15	110837	Clamp	2

Ref. No.	Part No.	Description	No. Used
16	32153-2	Nut - Hex	2
17	110506	Wheel - Gage	2
18	5188	Bolt - Shoulder	2
19	3231-25	Screw - Hex Hd. Cap	4
20	933505	Cotter - Hair Pin	2
21	68-2350	Plate - Gage Wheel	2
22	68-2730	Wheel - Gage	2
23	3256-24	Washer - Flat	2
24	283-2	Pin - Yoke	2
25	3218-5	Nut - Hex Jam	2
26	86-9240	Bracket - Lower Lift	2
27	325-13	Screw - Hex Hd. Cap	2
28	86-9250	Bracket - Upper Lift	2
29	116080	Bushing - Pivot	1
30	116083	Washer - Nylon	2
31	915236	Nut - Hex Jam	1

