



53cm Super Recycler[®] Lawn Mower

Model No. 20794 - 280000001 and up.

Parts Catalog

Ordering Replacement Parts

To order replacement parts, please supply the part number, the quantity, and the description of each part desired.

Understanding Reference Numbers

Each identified part in an illustration has a reference number. The reference number for a part also appears in the parts list, along with other information about the part.

This catalog uses two special reference number formats, one to indicate parts in a service assembly and another to indicate the quantity of a given part in an illustration.

Service Assembly Reference Numbers

Parts in service assemblies have reference numbers in the form a:b. The a represents the reference number of the entire service assembly and the b represents a sequential number unique to each part within the service assembly.

For example, a wheel assembly might be identified by reference number 6, the tire by 6:1, the valve by 6:2, and the wheel by 6:3. When you order the assembly identified by reference number 6, you receive all parts identified by reference numbers 6:1, 6:2, and 6:3. However, you may also order any part individually. Reference numbers of this type appear in illustrations and in part lists.

Reference Numbers Indicating Quantity

In an illustration, if a reference number indicates more than one part, the reference number has the form nX y. The n represents the quantity of the part, the X is the multiplication symbol, and the y represents the reference number.

For example, in an illustration, the reference number 2X 37 means that two of the parts identified by reference number 37 are indicated.

Contents

Description	Page	Description	Page
Housing Assembly 3	Carburetor Assembly Briggs and Stratton 122602-0207-B1 16
Discharge Door Assembly No. 107-3717 4	Air Cleaner Assembly Briggs and Stratton 122602-0207-B1 17
Housing Assembly No. 115-2855 5	Governor Assembly Briggs and Stratton 122602-0207-B1 18
Height-of-Cut Assembly 6	Muffler and Fuel Tank Assembly Briggs and Stratton 122602-0207-B1 19
Rear Wheel and Gear Case Assembly 7	Blower Housing Assembly Briggs and Stratton 122602-0207-B1 20
Gear Case Assembly No. 108-8140 8	Starter Assembly Briggs and Stratton 122602- 0207-B1 21
Engine Assembly 9	Gasket Kit Briggs and Stratton 122602-0207- B1 22
Handle Assembly 10	Carburetor Overhaul Kit Briggs and Stratton 122602-0207-B1 23
Rear Bag Assembly 11	Attachments and Accessories List 24
Cylinder Assembly Briggs and Stratton 122602-0207-B1 12		
Cylinder Head Assembly Briggs and Stratton 122602-0207-B1 13		
Crankshaft Assembly Briggs and Stratton 122602-0207-B1 14		
Crankcase Assembly Briggs and Stratton 122602-0207-B1 15		

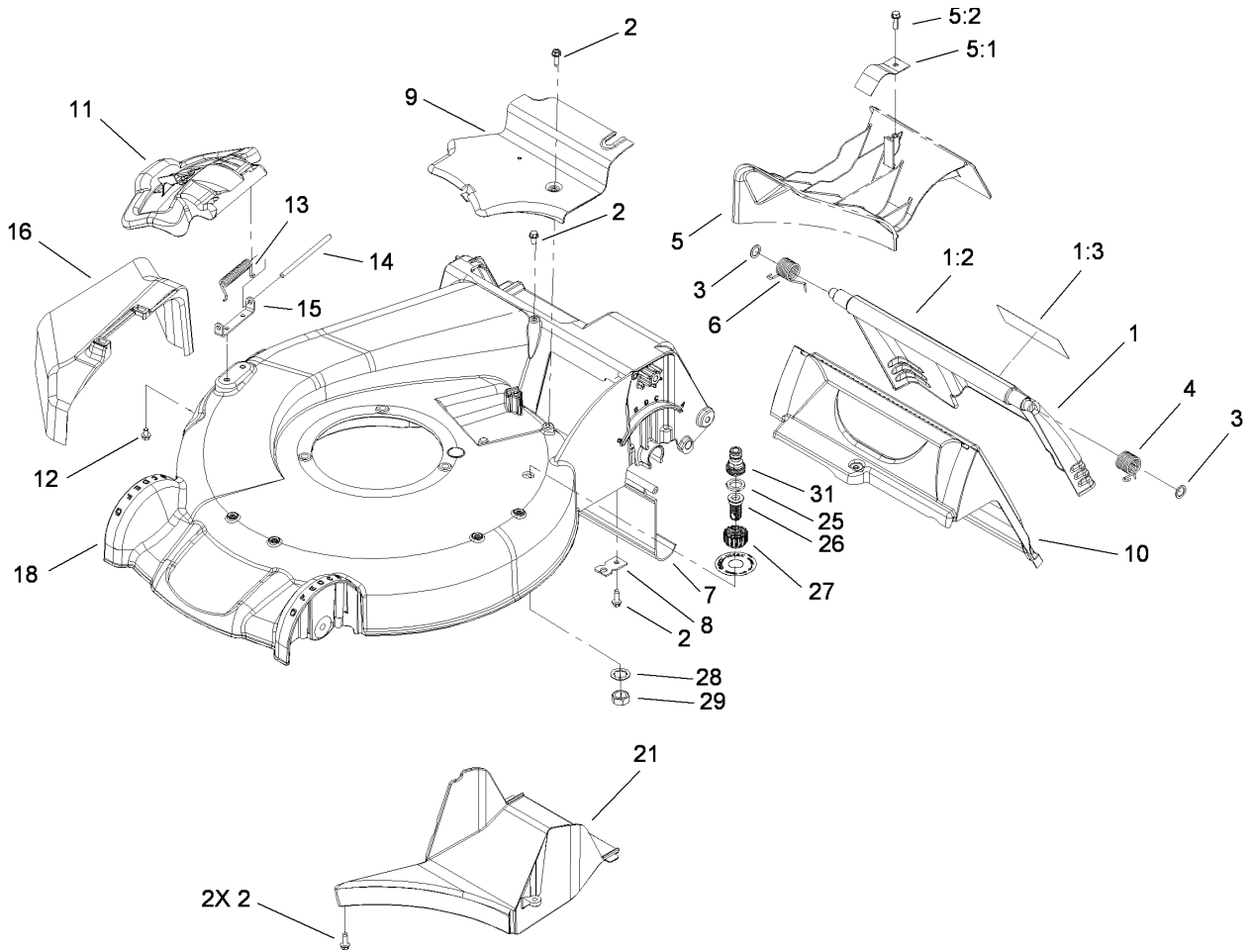
Part Description Abbreviations

Part descriptions in this catalog may include the following abbreviations.

AR. as required	HYD. hydraulic
ASM. assembly	LH. left hand
BBC. blade brake clutch	NI. nylon insert
CARR. carriage	NPTF. national pipe thread fine
DEG. degrees	PFH. phillips flat head
EXT. external	PPH. phillips pan head
FH. flat head	PPHTF. phillips pan head thread forming
GA. gauge	PRH. phillips round head
HD. heavy-duty	PTH. phillips truss head
HF. hex flange	PTO. power-take-off
HH. hex head	RH. right hand
HHF. hex head flange	ROPS. roll-over protection system
HHFTF. hex head flange thread forming	SFH. slotted fillister head
HJ. hex jam	SHH. slotted hex head
HLH. hex lag head	SHWH. slotted hex washer head
HOC. height-of-cut	SPH. slotted pan head
HSBH. hex socket button head	SQH. square head
HSFH. hex socket flat head	SRH. slotted round head
HSH. hex socket head	STD. standard
HWH. hex washer head	TAP. self tapping
HWHTF. hex washer head thread forming	TTH. torx truss head

Footnotes

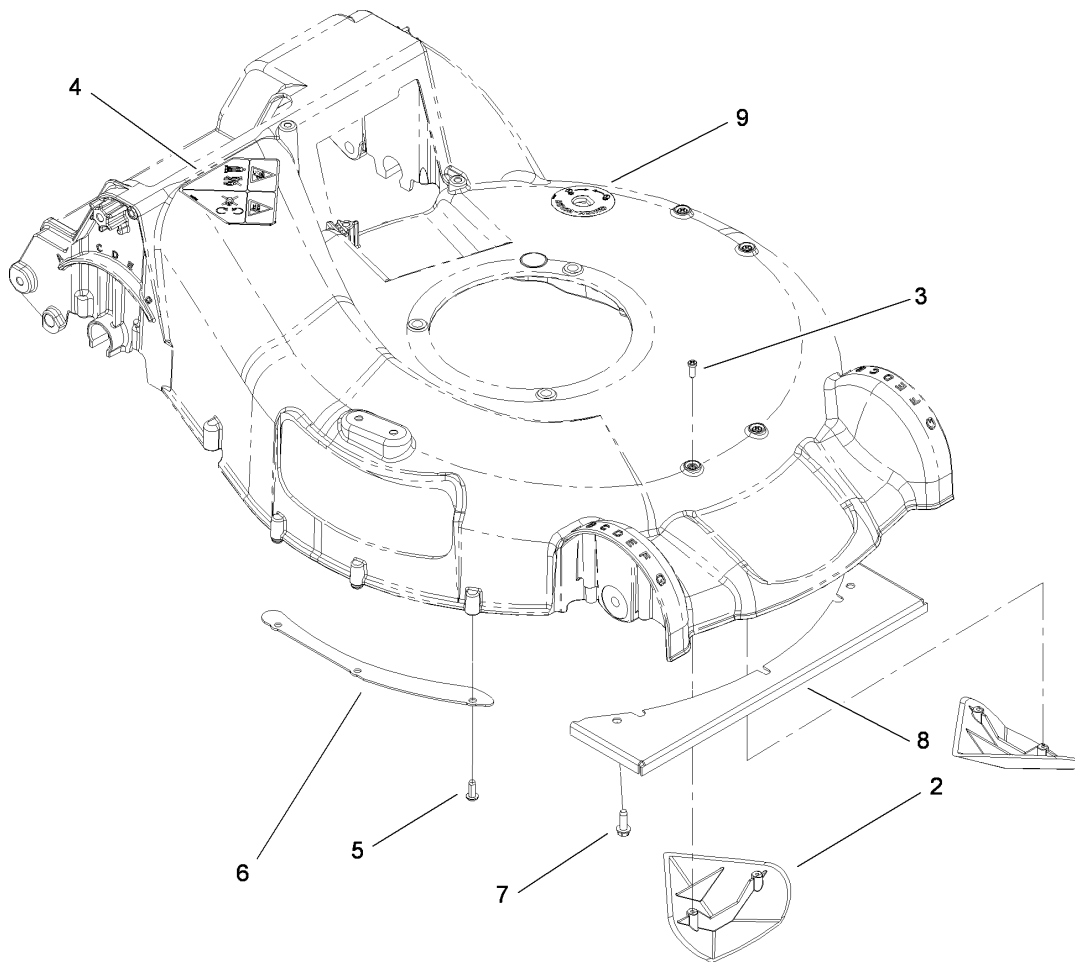
- | | |
|---|--|
| ❶ Not illustrated | ❷ Not serviced separately |
| ❸ Obtain from your local Briggs & Stratton dealer | ❹ Included in Carburetor Overhaul Kit (Ref. No. 121) |
| ❺ Included in Engine Gasket Set (Ref. No. 358) | ❻ Included in Carburetor Gasket Set (Ref. No. 977) |
| ❽ Included in Valve Gasket Set (Ref. No. 1095) | |



Housing Assembly

Ref	Part No.	Qty.	Description
1	115-2856	1	Rear Door ASM
1:2	114-7982	1	Decal-Warning
1:3	104-7908	1	Decal-Warning
2	49-2040	5	Screw-HWHTF
3	94-8196	2	Washer-Nylon
4	115-2859	1	Spring-Torsion
5	115-4656	1	Plug-Mulch ASM
5:1	115-4655	1	Tab-Spring
5:2	46-8091	1	Screw-HWH
6	114-7924	1	Spring-Torsion
7	114-1586	1	Shield-Trailing
8	107-7497	1	Bracket-Cable, Traction
9	107-7494	1	Cover-Belt
10	114-2668	1	Chute
11	107-3717	1	Discharge Door ASM
12	99-8445	2	Screw-HWH
13	99-5293	1	Spring-Torsion
14	99-5291	1	Rod-Cover
15	112-6416	1	Bracket-Cover
16	108-3753	1	Chute-Discharge, Side
18	115-2855	1	Housing ASM
21	107-7495	1	Tunnel-Discharge
25	112-6438	1	Washer-Seal, Washout Port
26	112-6400	1	Port-Washout

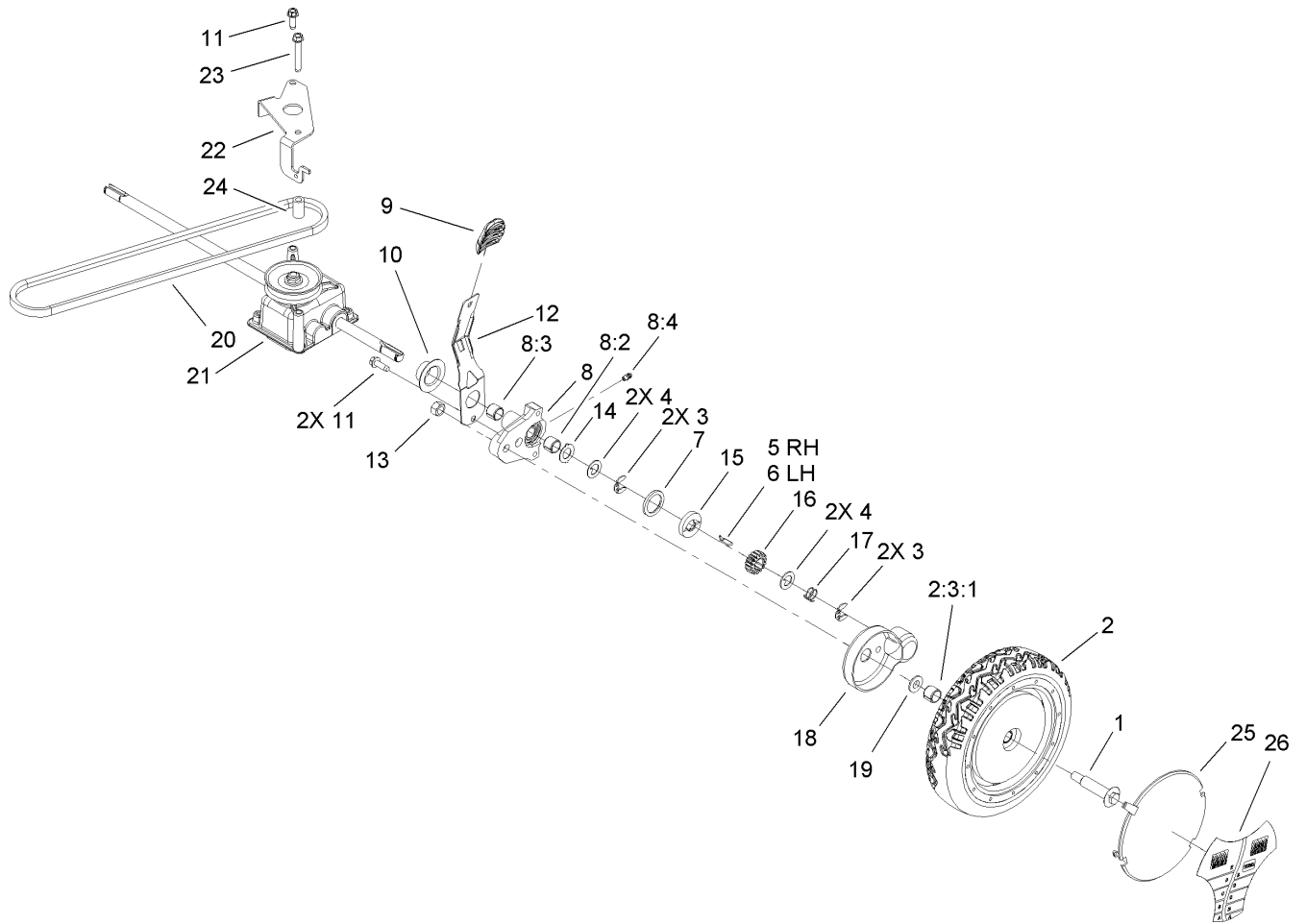
Ref	Part No.	Qty.	Description
27	112-6401	1	Coupling-Hose, Washout Port
28	3254-5	1	Washer-Tooth
29	3218-6	1	Nut-Jam
31	112-6437	1	Adapter-Quick Connect



Housing Assembly No. 115-2855

Ref	Part No.	Qty.	Description
2	108-3798	2	Kicker-Housing
3	32144-111	4	Screw-PPH
4	112-8760	1	Decal-Danger
5	63-8590	3	Screw
6	105-1316-03	1	Sheet-Lip
7	49-2040	3	Screw-HWHTF
8	108-3797-03	1	Plate-Cover, Front
9	112-8867	1	Decal-Washout Port, Trilingual

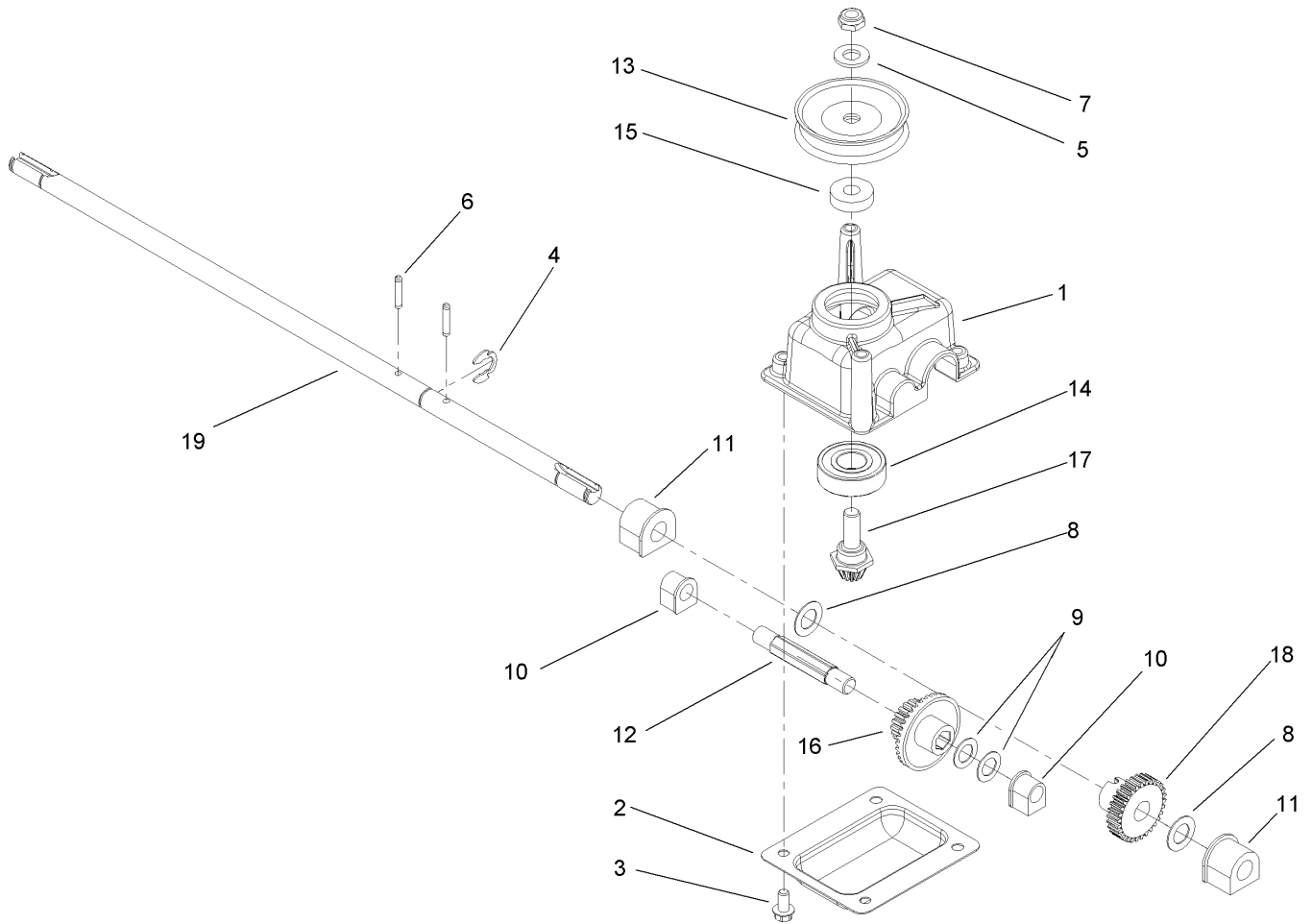
--	--	--	--



Rear Wheel and Gear Case Assembly

Ref	Part No.	Qty.	Description
1	92-1057	2	Bolt-Shoulder
2	107-3707	2	Wheel Gear ASM
1 2 2:3		1	8 Inch Wheel ASM
2:3:1	27-6250	2	Bushing
3	65-2720	4	Ring-Clip, Locking
4	65-4740	4	Washer-Thrust, Keyed
5	66-6040	1	Key-Rocking, RH
6	66-6050	1	Key-Rocking, LH
7	65-4710	2	Ring-Friction
8	100-8774	2	Pivot Arm ASM
8:2	47-2900	1	Bushing
8:3	70-9760	1	Bushing
8:4	302-56	1	Fitting-Grease
9	105-3042	2	Knob-Lever, HOC
10	42-3520	2	Cap-End
11	49-2040	3	Screw-HWHTF
12	107-7491	2	Arm-Spring
13	603773	2	Nut
14	65-4730	2	Washer-Arm, Pivot
15	65-4760	2	Washer-Clutch
16	65-4750	2	Gear-Pinion
17	65-4720	2	Spring-Compression
18	74-1660	2	Cover-Wheel
19	74-1671	2	Spacer-Cover, Wheel

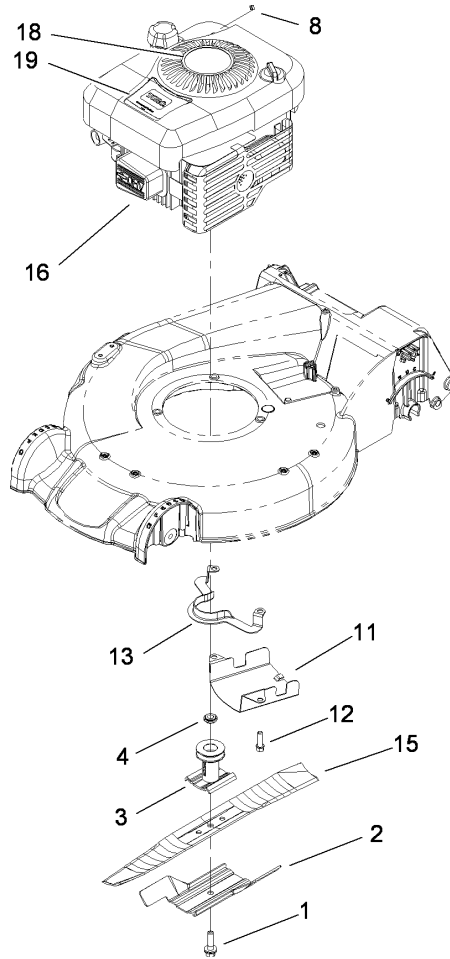
Ref	Part No.	Qty.	Description
20	99-1597	1	V-Belt
21	108-8140	1	Gear Case ASM
22	107-7483-03	1	Bracket-Gearbox
23	92-1616	1	Screw-HWHTF
24	614673	1	Bushing-Plate, Actuator
25	100-6351	1	Cover-Wheel
26	100-1519	1	Label-Wheel, Smart



Gear Case Assembly No. 108-8140

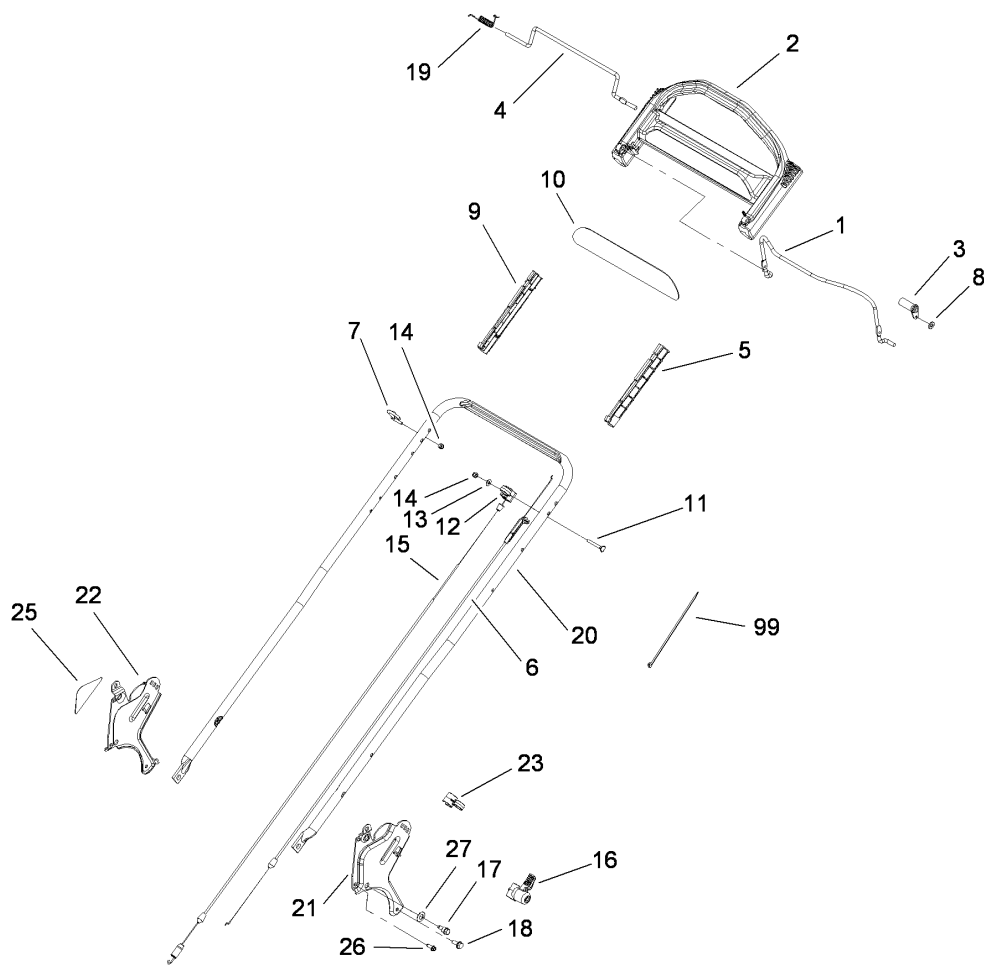
Ref	Part No.	Qty.	Description
1	104-7619	1	Case-Gear
2	614668-03	1	Cover-Case, Gear
3	32144-4	4	Screw-HWH
4	32151-68	1	Ring-Retaining
5	3256-24	1	Washer-Flat
6	3285-19	2	Pin-Groove
7	3296-5	1	Nut-Lock
8	36-4780	2	Washer-Plain
9	36-4791	2	Washer-Thrust
10	60-8750	2	Bushing
11	60-8850	2	Bushing
12	614696	1	Shaft-Intermediate
13	100-1176	2	Pulley-Half
14	100-1048	1	Bearing-Ball
15	62-6660	1	Spacer
16	104-1005	1	Gear-19T Spur, 37T Bevel
17	104-7667	1	Gear-Pinion, Bevel
18	104-1004	1	Gear-30T
19	108-8141	1	Shaft-Output

--	--	--	--



Engine Assembly

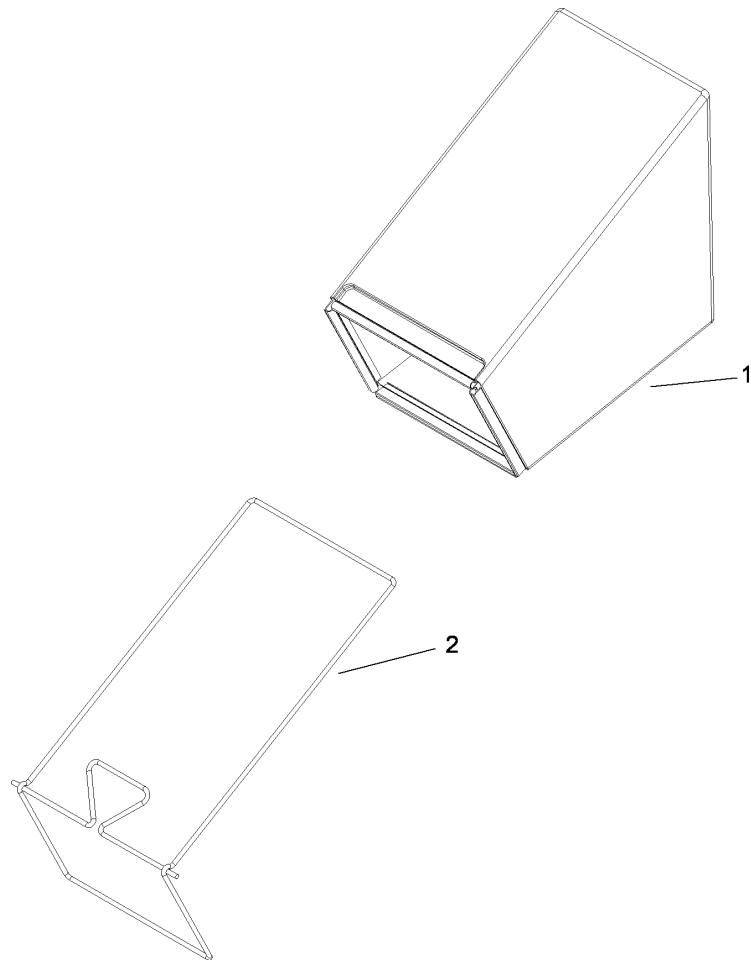
Ref	Part No.	Qty.	Description				
1	105-8579	1	Bolt-Blade				
2	105-6848-03	1	Accelerator-Blade				
3	106-3987	1	Blade Driver ASM				
4	106-3999	1	Spacer-Driver				
8	2210-316	1	Stop-Rope				
11	107-7489-03	1	Shield-Grass				
12	95-1727	3	Screw-Taptite				
13	108-8110-03	1	Guide-Belt				
15	108-3762-03	1	Blade-Recycling				
16		1	Engine-Briggs And Stratton, 122602-0207-B1				
18	114-5363	1	Decal-Engine				
19	110-7493	1	Decal-Recoil				



Handle Assembly

Ref	Part No.	Qty.	Description
1	104-8679-03	1	Bail-Brake
2	104-8678	1	Handle-Control
3	99-1589	1	Lever-Traction
4	99-1588	1	Bar-Control, Traction
5	105-6842	1	Guide-LH
6	108-8157	1	Cable-Brake
7	86-9671	1	Guide-Rope
8	3256-23	1	Washer-Flat
9	105-6841	1	Guide-RH
10	110-7056	1	Decal-Ads, Handle
11	95-4453	1	Screw
12	99-5239	1	Anchor-Cable
13	3256-1	1	Washer-Flat
14	3296-73	2	Nut-Lock, NI
15	108-8158	1	Cable-Traction
16	115-2860	2	Quick Release ASM
17	115-1958	2	Bolt-Shoulder
18	32144-11	2	Screw-HWHTF
19	104-8690	1	Spring-Torsion
20	115-1300-05	1	Handle
21	114-2671-03	1	Bracket-Handle, LH
22	114-2672-03	1	Bracket-Handle, RH
23	106-6805	1	Guide-Cable
25	115-2884	1	Decal-Instruction

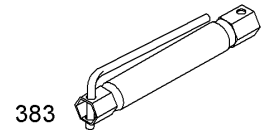
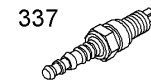
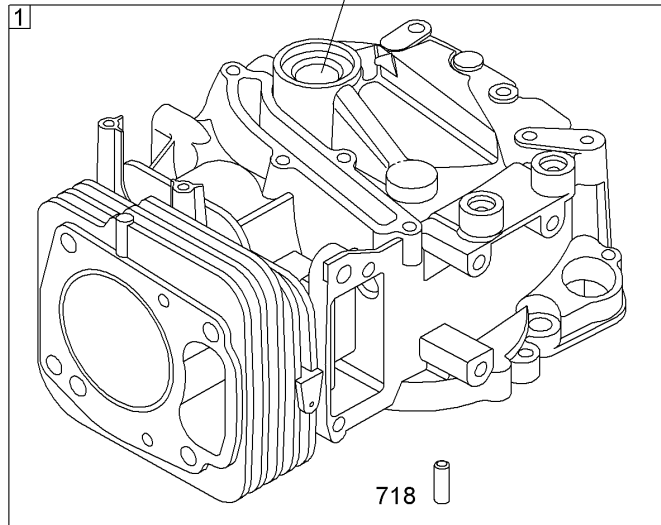
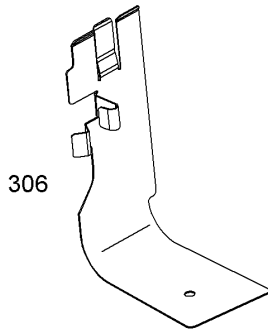
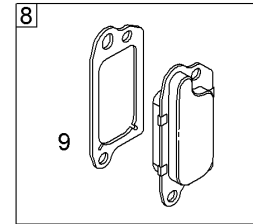
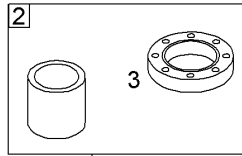
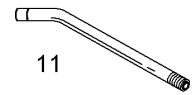
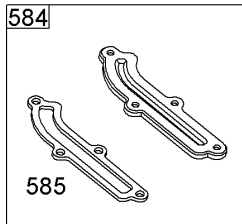
Ref	Part No.	Qty.	Description
26	49-2040	2	Screw-HWHTF
27	112-9972	2	Washer-Conical, Spring
99	614249	3	Strap-Tie



Rear Bag Assembly

Ref	Part No.	Qty.	Description
1	114-2664	1	Grass Bag ASM
2	114-2679-03	1	Bag Frame ASM

1058 OPERATOR'S MANUAL



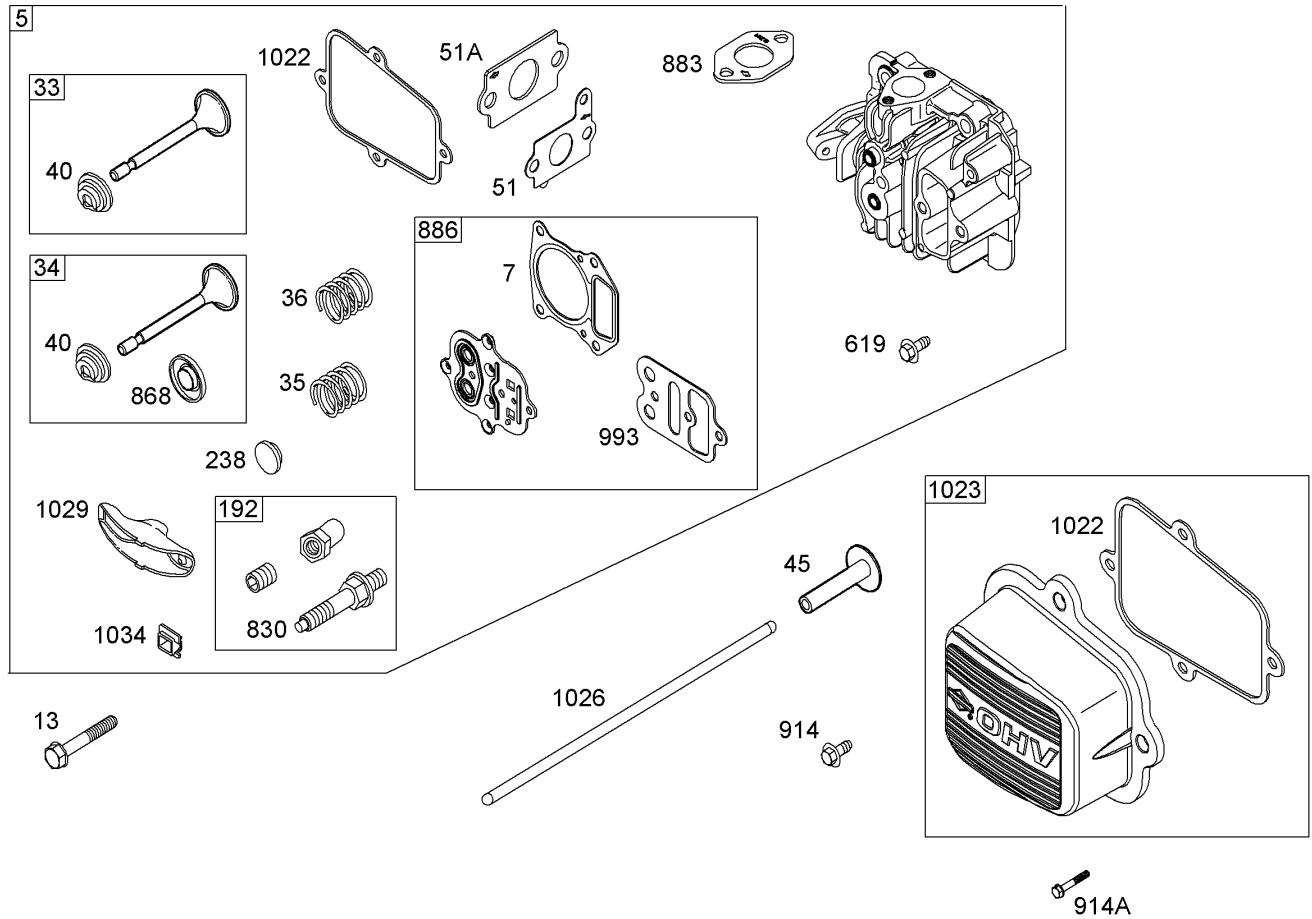
Assemblies include all parts shown in frames

Cylinder Assembly

Briggs and Stratton 122602-0207-B1

Ref	Part No.	Qty.	Description
1	790363	1	Cylinder ASM
2	399269	1	Bushing Seal Kit (Magneto Side)
3	299819s	1	Oil Seal (Magneto Side)
8	495786	1	Breather ASM
9	699833	1	Gasket-Breather
7			
10	691125	1	Screw (Breather ASM)
11	691260	1	Tube-Breather
306	691232	1	Shield-Cylinder
307	690345	1	Screw (Cylinder Shield)
337	692720	1	Plug-Spark
383	19374s	1	Wrench-Spark Plug
584	697734	1	Cover-Passage, Breather
585	691879	1	Gasket-Passage, Breather
635	66538s	1	Boot-Spark Plug
684	690345	1	Screw (Breather Passage Gasket)
718	690959	1	Pin-Locating
1058	MS5578	1	Operator's Manual

--	--	--	--

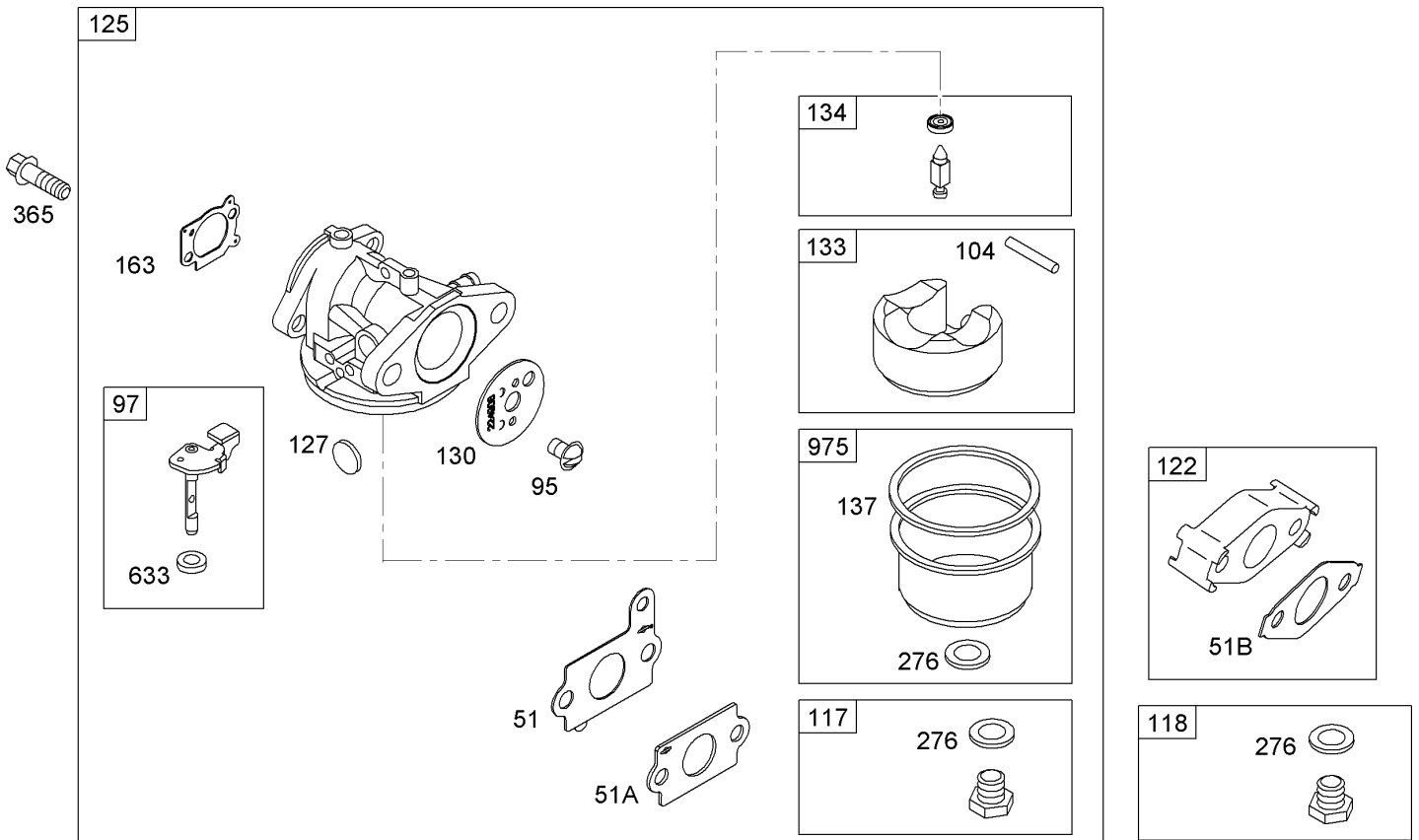


Assemblies include all parts shown in frames

Cylinder Head Assembly Briggs and Stratton 122602-0207-B1

Ref	Part No.	Qty.	Description
5	792381	1	Head-Cylinder
57	697230	1	Gasket-Head, Cylinder
13	691137	1	Screw (Cylinder Head)
33	499642	1	Valve-Exhaust
34	499641	1	Valve-Intake
35	691304	1	Spring-Valve (Intake)
36	691304	1	Spring-Valve (Exhaust)
40	692194	1	Retainer-Valve
45	690977	1	Tappet-Valve
51	692668	1	Gasket-Intake
51A	697735	1	Gasket-Intake
192	694543	1	Adjuster-Arm, Rocker
238	691300	1	Cap-Valve
619	691108	1	Screw (Cylinder Head Plate)
830	694544	1	Stud-Arm, Rocker
868	692044	1	Seal-Valve
883	691893	1	Gasket-Exhaust
886	696268	1	Cylinder Head Plate Gasket Kit
914	691127	1	Screw (Rocker Cover)
914A	691108	1	Screw (Rocker Cover)

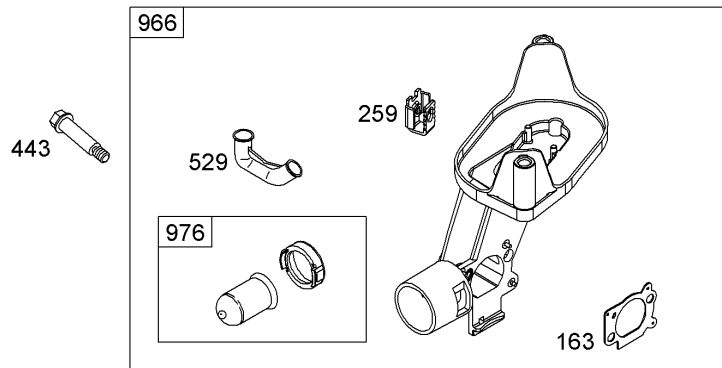
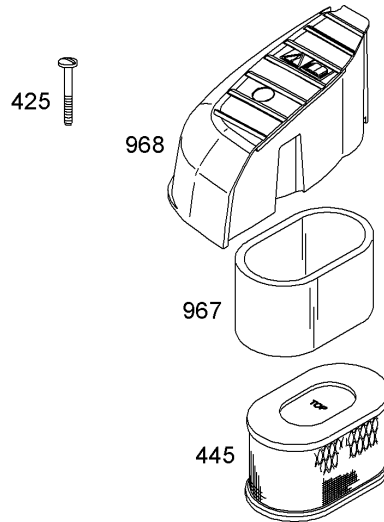
Ref	Part No.	Qty.	Description
993	694088	1	Gasket-Head Plate, Cylinder
1022	691890	1	Gasket-Cover, Rocker
1023	692694	1	Cover-Rocker
1026	692045	1	Rod-Push
1029	691230	1	Arm-Rocker
1034	691343	1	Guide-Rod, Push



Carburetor Assembly Briggs and Stratton 122602-0207-B1

Ref	Part No.	Qty.	Description
4 5 51 6 7	692668	1	Gasket-Intake
4 5 51A 6 7	697735	1	Gasket-Intake
4 5 51B 6 7	692555	1	Gasket-Intake
3 95	691636	1	Screw (Throttle Valve)
3 97	790121	1	Shaft-Throttle
3 4 104	691242	1	Pin-Hinge, Float
3 117	498978	1	Jet-Main (STD)
3 118	498975	1	Jet-Main (High Altitude)
3 122	792382	1	Spacer-Carburetor
3 125	790120	1	Carburetor
3 4 127	694468	1	Plug-Welch
3 130	696564	1	Valve-Throttle
3 133	398187	1	Float-Carburetor
3 4 134	398188	1	Needle And Seat Kit
3 4 137 6	693981	1	Gasket-Bowl, Float
4 5 163 6 7	691894	1	Gasket-Cleaner, Air
3 4 276 6	271716	1	Washer-Sealing
3 365	691129	1	Screw (Carburetor)
3 4 633 6	691321	1	Seal-Shaft, Choke Throttle

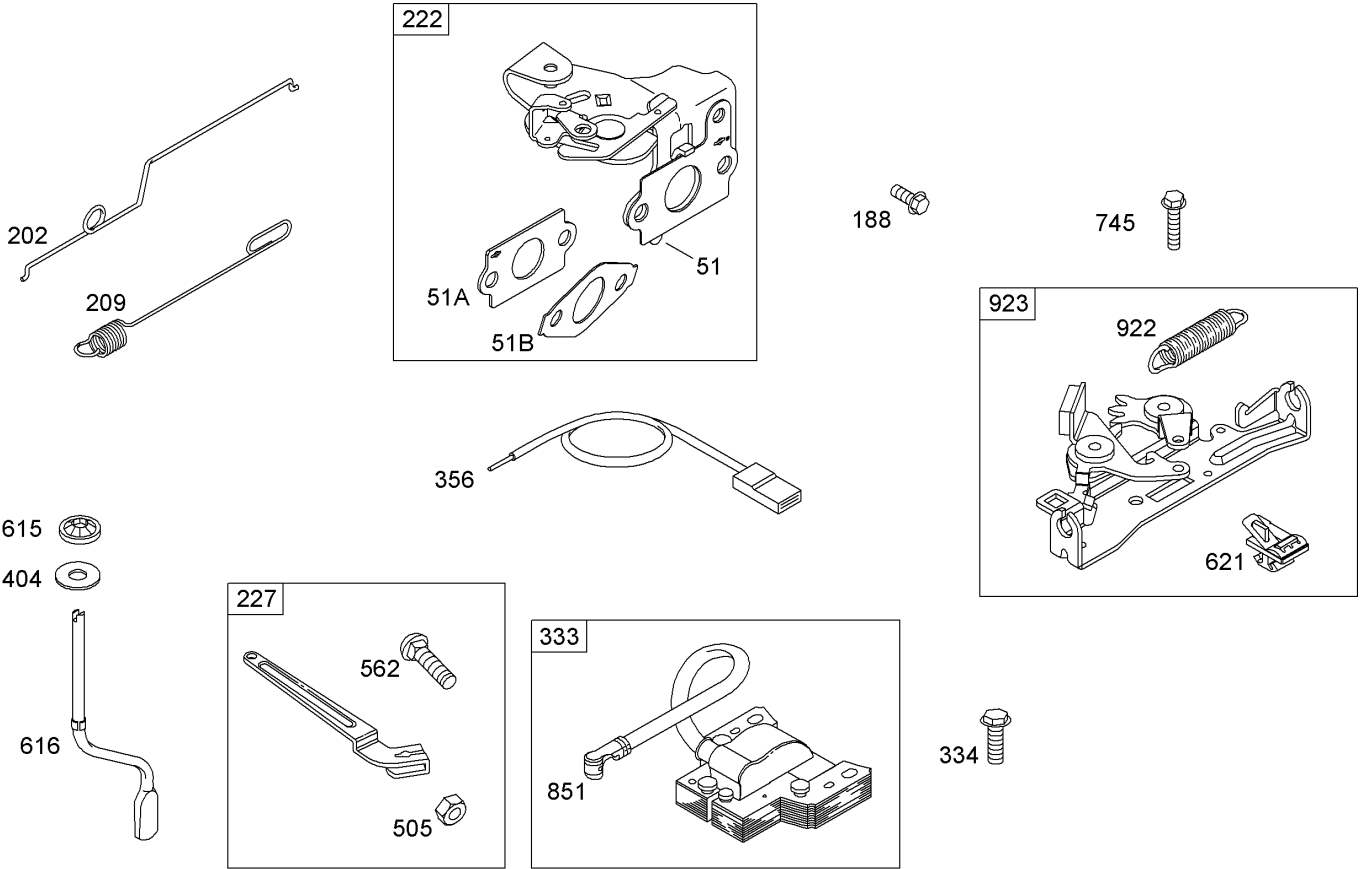
Ref	Part No.	Qty.	Description
3 975	493640	1	Bowl-Float



Assemblies include all parts shown in frames

Air Cleaner Assembly Briggs and Stratton 122602-0207-B1

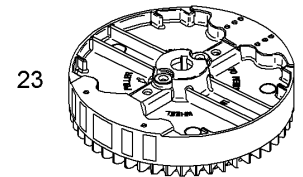
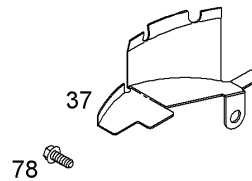
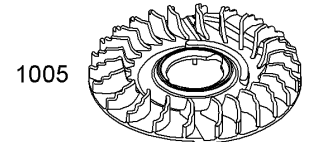
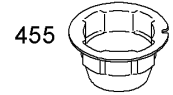
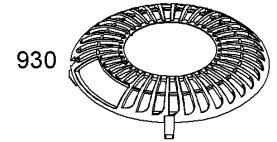
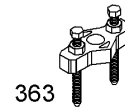
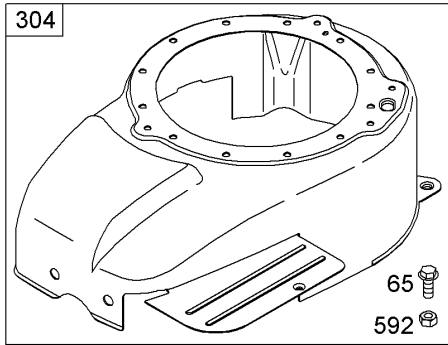
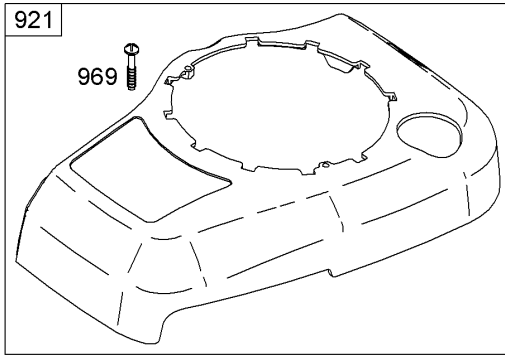
Ref	Part No.	Qty.	Description
④ ⑤ 163	691894	1	Gasket-Cleaner, Air
⑥ ⑦			
③ 259	691189	1	Bracket-Clamp, Casing
③ 425	690244	1	Screw (Air Cleaner Cover)
③ 443	690255	1	Screw (Air Cleaner Primer Bracket)
③ 445	697029	1	Filter-Cartridge, Air Cleaner
③ 529	692937	1	Grommet
③ 966	690243	1	Base-Primer, Air Cleaner
③ 967	273356	1	Filter-Pre Cleaner
③ 968	692692	1	Cover-Cleaner, Air
③ 976	694395	1	Primer-Carburetor



Assemblies include all parts shown in frames

Governor Assembly Briggs and Stratton 122602-0207-B1

Ref	Part No.	Qty.	Description
4 51	692668	1	Gasket-Intake
6 7			
4 51A	692799	1	Gasket-Intake
6 7			
4 51B	692555	1	Gasket-Intake
6 7			
3 188	691127	1	Screw (Control Bracket)
3 202	691303	1	Link-Governor, Mechanical
3 209	791156	1	Spring-Governor
3 222	792404	1	Bracket-Control
3 227	690783	1	Lever-Control, Governor
3 333	802574	1	Armature-Magneto
3 334	691061	1	Screw (Magneto Armature)
3 356	692390	1	Wire-Stop
3 404	690272	1	Washer (Governor Crank)
3 505	691251	1	Nut (Governor Control Lever)
3 562	691119	1	Screw (Governor Control Lever)
3 615	690340	1	Retainer-Shaft, Governor
3 616	698801	1	Crank-Governor
3 621	692310	1	Switch-Stop
3 745	691648	1	Screw (Brake)
3 851	493880s	1	Terminal-Spark Plug
3 922	691831	1	Spring-Brake
3 923	691994	1	Brake ASM



1036 Emission Label

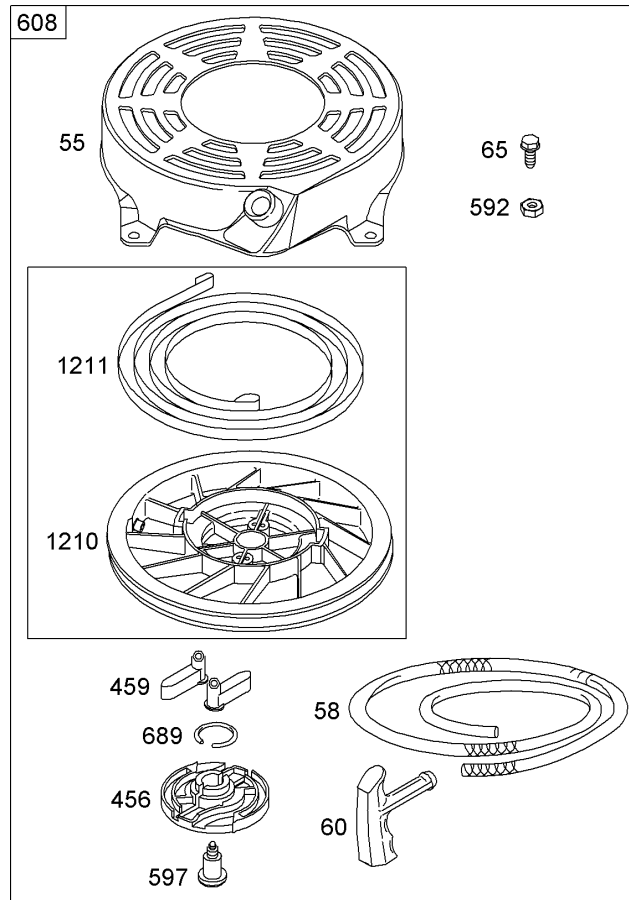
Assemblies include all parts shown in frames

Blower Housing Assembly

Briggs and Stratton 122602-0207-B1

Ref	Part No.	Qty.	Description
●23	696569	1	Flywheel
●37	694086	1	Guard-Flywheel
●65	690837	1	Screw (Rewind Starter)
●78	691108	1	Screw (Flywheel Guard)
●304	499677	1	Housing-Blower
●305	691108	1	Screw (Blower Housing)
●332	690662	1	Nut (Flywheel)
●363	19069	1	Puller-Flywheel
●455	791960	1	Cup-Flywheel
●592	690800	1	Nut (Rewind Starter)
●921	692699	1	Cover-Housing, Blower
●930	692691	1	Guard-Rewind
●969	691138	1	Screw (Blower Housing Cover)
●1005	691346	1	Fan-Flywheel
●1036	696767	1	Label-Emission

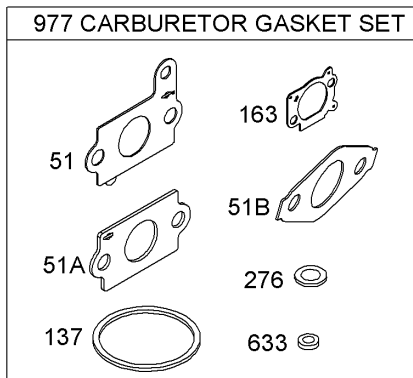
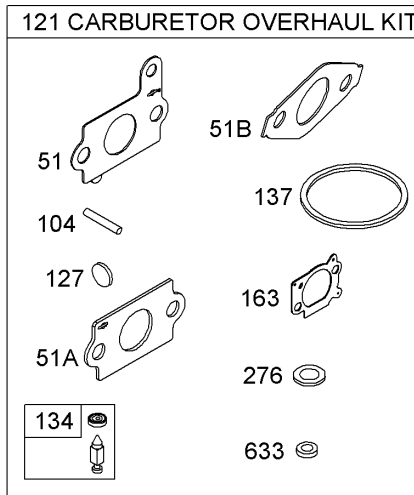
--	--	--	--



Assemblies include all parts shown in frames

Starter Assembly Briggs and Stratton 122602-0207-B1

Ref	Part No.	Qty.	Description
55	691421	1	Housing-Starter, Rewind
58	697316	1	Rope-Starter (Cut To Required Length)
60	281434s	1	Grip-Rope, Starter
65	690837	1	Screw (Rewind Starter)
456	692299	1	Plate-Friction, Pawl
459	281505s	1	Ratchet-Pawl
592	690800	1	Nut (Rewind Starter)
597	691696	1	Screw (Pawl Friction Plate)
608	497680	1	Starter-Rewind
689	691855	1	Spring-Friction
1210	498144	1	Pulley/Spring ASM (Pulley)
1211	498144	1	Pulley/Spring ASM (Spring)



Assemblies include all parts shown in frames

Carburetor Overhaul Kit Briggs and Stratton 122602-0207-B1

Ref	Part No.	Qty.	Description
4 5 51 6 7	692668	1	Gasket-Intake
4 5 51A 6 7	697735	1	Gasket-Intake
4 5 51B 6 7	692555	1	Gasket-Intake
3 4 104	691242	1	Pin-Hinge, Float
3 121	792383	1	Carburetor Overhaul Kit
3 4 127	694468	1	Plug-Welch
3 4 134	398188	1	Needle And Seat Kit
3 4 137 6	693981	1	Gasket-Bowl, Float
4 5 163 6 7	691894	1	Gasket-Cleaner, Air
3 4 276 6	271716	1	Washer-Sealing
3 4 633 6	691321	1	Seal-Shaft, Choke Throttle
3 977	792385	1	Carburetor Gasket Set

Attachments and Accessories

For 20794 - 53cm Super Recycler Lawn Mower

Product Name	Model/Part
Traction Assist Handle Kit	108-8120
Toro Walk Mower Cover	490-7462
Plain Walk Mower Cover	490-7463
Dethatcher Kit	59131

NOTES

NOTES

NOTES

