



## 53cm Super Recycler<sup>®</sup> Lawn Mower

Model No. 20796 - 280000001 and up.

### Parts Catalog

---

#### **Ordering Replacement Parts**

To order replacement parts, please supply the part number, the quantity, and the description of each part desired.

#### **Understanding Reference Numbers**

Each identified part in an illustration has a reference number. The reference number for a part also appears in the parts list, along with other information about the part.

This catalog uses two special reference number formats, one to indicate parts in a service assembly and another to indicate the quantity of a given part in an illustration.

#### **Service Assembly Reference Numbers**

Parts in service assemblies have reference numbers in the form a:b. The a represents the reference number of the entire service assembly and the b represents a sequential number unique to each part within the service assembly.

For example, a wheel assembly might be identified by reference number 6, the tire by 6:1, the valve by 6:2, and the wheel by 6:3. When you order the assembly identified by reference number 6, you receive all parts identified by reference numbers 6:1, 6:2, and 6:3. However, you may also order any part individually. Reference numbers of this type appear in illustrations and in part lists.

#### **Reference Numbers Indicating Quantity**

In an illustration, if a reference number indicates more than one part, the reference number has the form nX y. The n represents the quantity of the part, the X is the multiplication symbol, and the y represents the reference number.

For example, in an illustration, the reference number 2X 37 means that two of the parts identified by reference number 37 are indicated.

# Contents

Description	Page	Description	Page
Housing Assembly	..... 3	Carburetor Assembly Briggs and Stratton 122607-0208-B1	..... 17
Discharge Door Assembly No. 107-3717	..... 4	Air Cleaner Assembly Briggs and Stratton 122607-0208-B1	..... 18
Housing Assembly No. 115-2855	..... 5	Governor Assembly Briggs and Stratton 122607-0208-B1	..... 19
Height-of-Cut Assembly	..... 6	Muffler and Fuel Tank Assembly Briggs and Stratton 122607-0208-B1	..... 20
Rear Wheel and Gear Case Assembly	..... 7	Blower Housing Assembly Briggs and Stratton 122607-0208-B1	..... 21
Gear Case Assembly No. 108-8140	..... 8	Starter Assembly Briggs and Stratton 122607- 0208-B1	..... 22
Engine Assembly	..... 9	Electric Starter Assembly Briggs and Stratton 122607-0208-B1	..... 23
Handle Assembly	..... 10	Gasket Kit Briggs and Stratton 122607-0208- B1	..... 24
Electrical Assembly	..... 11	Carburetor Overhaul Kit Briggs and Stratton 122607-0208-B1	..... 25
Rear Bag Assembly	..... 12	Attachments and Accessories List	..... 26
Cylinder Assembly Briggs and Stratton 122607-0208-B1	..... 13		
Cylinder Head Assembly Briggs and Stratton 122607-0208-B1	..... 14		
Crankshaft Assembly Briggs and Stratton 122607-0208-B1	..... 15		
Crankcase Assembly Briggs and Stratton 122607-0208-B1	..... 16		

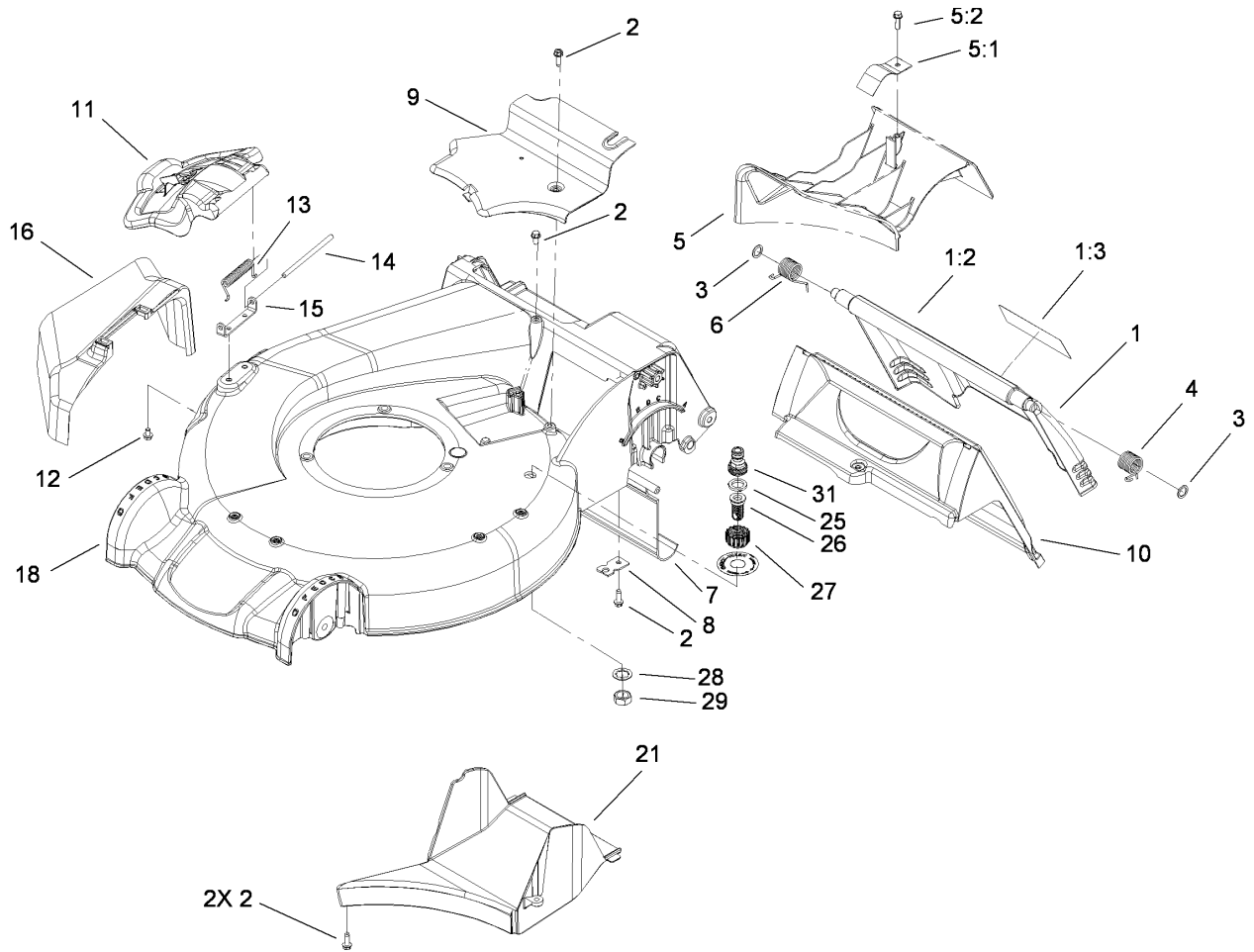
## Part Description Abbreviations

Part descriptions in this catalog may include the following abbreviations.

AR. .... as required	HYD. .... hydraulic
ASM. .... assembly	LH. .... left hand
BBC. .... blade brake clutch	NI. .... nylon insert
CARR. .... carriage	NPTF. .... national pipe thread fine
DEG. .... degrees	PFH. .... phillips flat head
EXT. .... external	PPH. .... phillips pan head
FH. .... flat head	PPHTF. .... phillips pan head thread forming
GA. .... gauge	PRH. .... phillips round head
HD. .... heavy-duty	PTH. .... phillips truss head
HF. .... hex flange	PTO. .... power-take-off
HH. .... hex head	RH. .... right hand
HHF. .... hex head flange	ROPS. .... roll-over protection system
HHFTF. .... hex head flange thread forming	SFH. .... slotted fillister head
HJ. .... hex jam	SHH. .... slotted hex head
HLH. .... hex lag head	SHWH. .... slotted hex washer head
HOC. .... height-of-cut	SPH. .... slotted pan head
HSBH. .... hex socket button head	SQH. .... square head
HSFH. .... hex socket flat head	SRH. .... slotted round head
HSH. .... hex socket head	STD. .... standard
HWH. .... hex washer head	TAP. .... self tapping
HWHTF. .... hex washer head thread forming	TTH. .... torx truss head

## Footnotes

- |   |  |
|---|--|
| ❶ Not illustrated                                 | ❷ Not serviced separately                            |
| ❸ Obtain from your local Briggs & Stratton dealer | ❹ Included in Carburetor Overhaul Kit (Ref. No. 121) |
| ❺ Included in Engine Gasket Set (Ref. No. 358)    | ❻ Included in Carburetor Gasket Set (Ref. No. 977)   |
| ❽ Included in Valve Gasket Set (Ref. No. 1095)    |  |

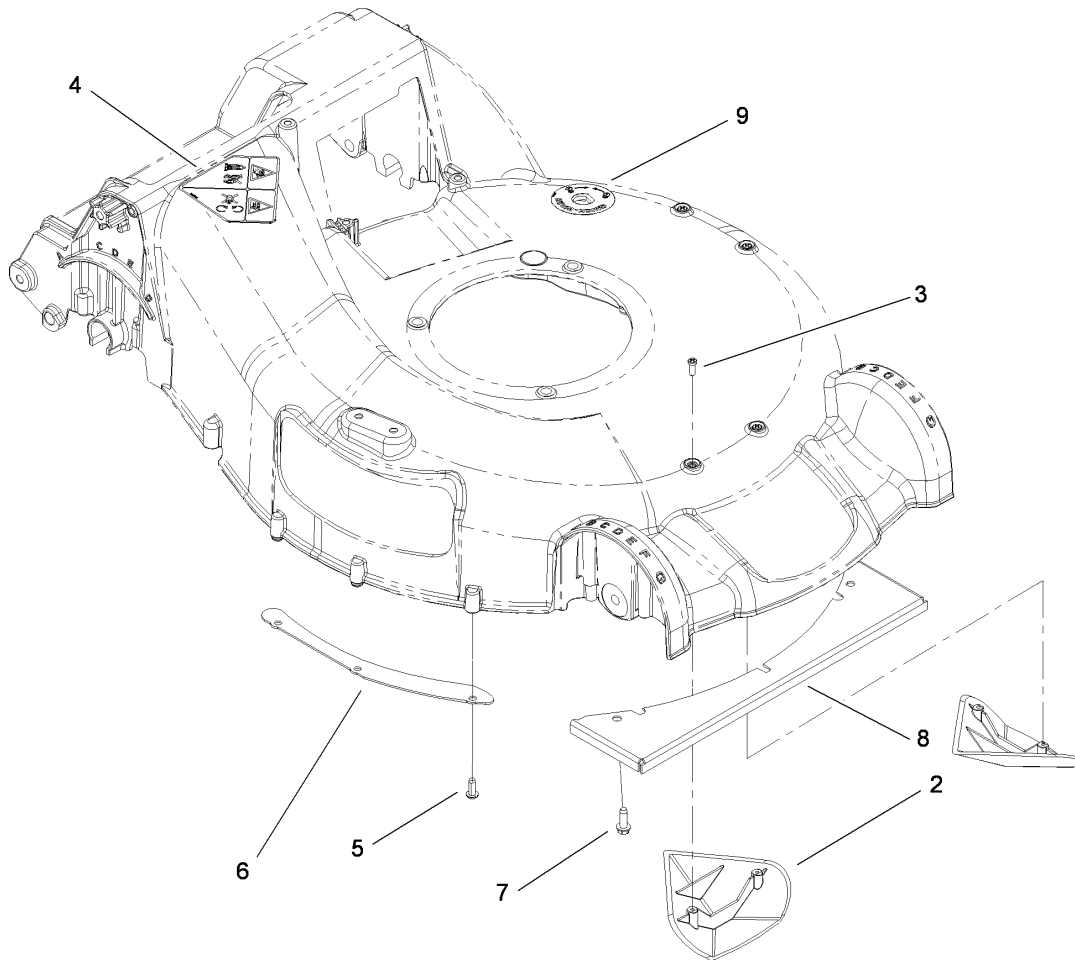


## Housing Assembly

Ref	Part No.	Qty.	Description
1	115-2856	1	Rear Door ASM
1:2	114-7982	1	Decal-Warning
1:3	104-7908	1	Decal-Warning
2	49-2040	5	Screw-HWHTF
3	94-8196	2	Washer-Nylon
4	115-2859	1	Spring-Torsion
5	115-4656	1	Plug-Mulch ASM
5:1	115-4655	1	Tab-Spring
5:2	46-8091	1	Screw-HWH
6	114-7924	1	Spring-Torsion
7	114-1586	1	Shield-Trailing
8	107-7497	1	Bracket-Cable, Traction
9	107-7494	1	Cover-Belt
10	114-2668	1	Chute
11	107-3717	1	Discharge Door ASM
12	99-8445	2	Screw-HWH
13	99-5293	1	Spring-Torsion
14	99-5291	1	Rod-Cover
15	112-6416	1	Bracket-Cover
16	108-3753	1	Chute-Discharge, Side
18	115-2855	1	Housing ASM
21	107-7495	1	Tunnel-Discharge
25	112-6438	1	Washer-Seal, Washout Port
26	112-6400	1	Port-Washout

Ref	Part No.	Qty.	Description
27	112-6401	1	Coupling-Hose, Washout Port
28	3254-5	1	Washer-Tooth
29	3218-6	1	Nut-Jam
31	112-6437	1	Adapter-Quick Connect



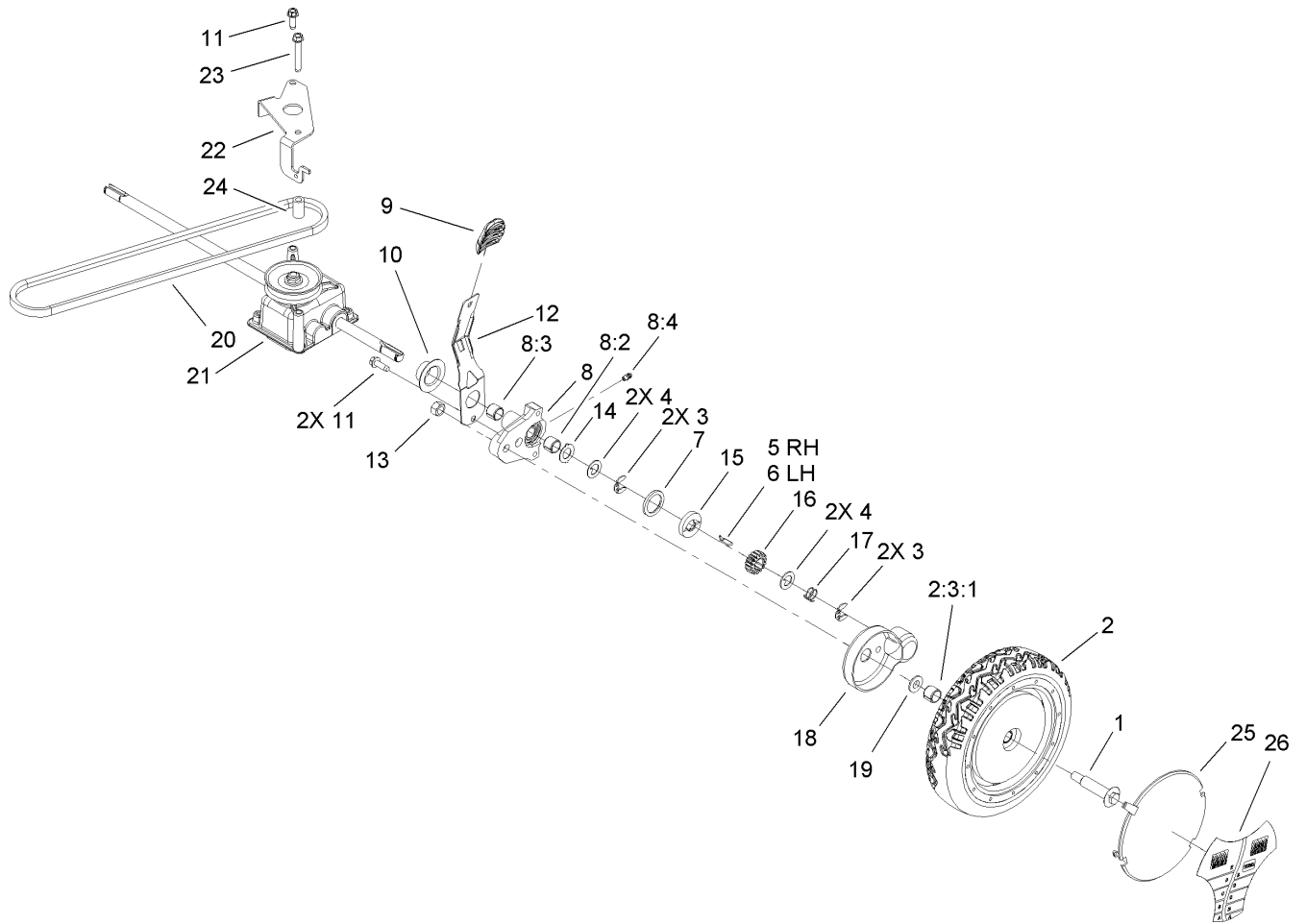


### Housing Assembly No. 115-2855

Ref	Part No.	Qty.	Description
2	108-3798	2	Kicker-Housing
3	32144-111	4	Screw-PPH
4	112-8760	1	Decal-Danger
5	63-8590	3	Screw
6	105-1316-03	1	Sheet-Lip
7	49-2040	3	Screw-HWHTF
8	108-3797-03	1	Plate-Cover, Front
9	112-8867	1	Decal-Washout Port, Trilingual

--	--	--	--

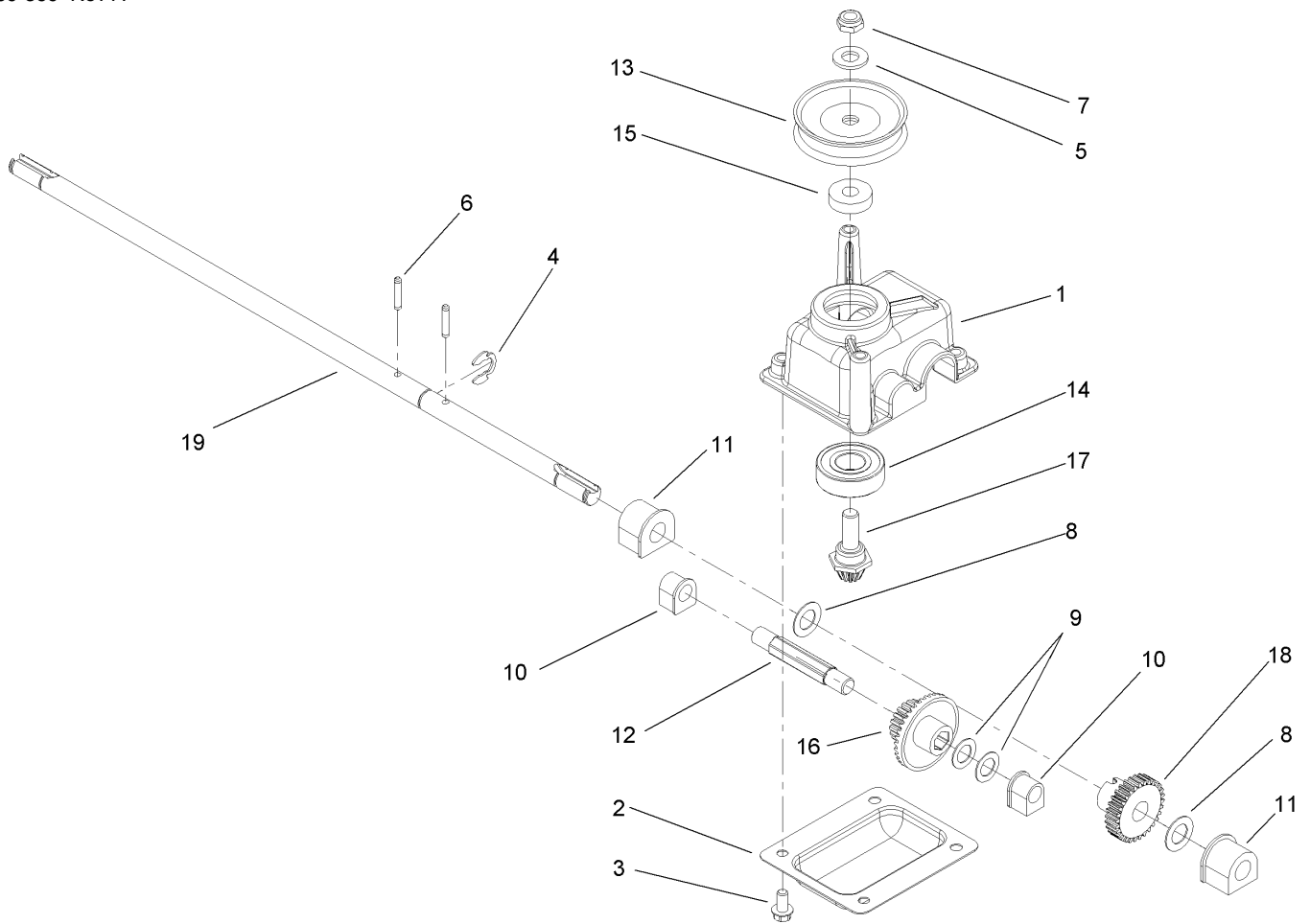




## Rear Wheel and Gear Case Assembly

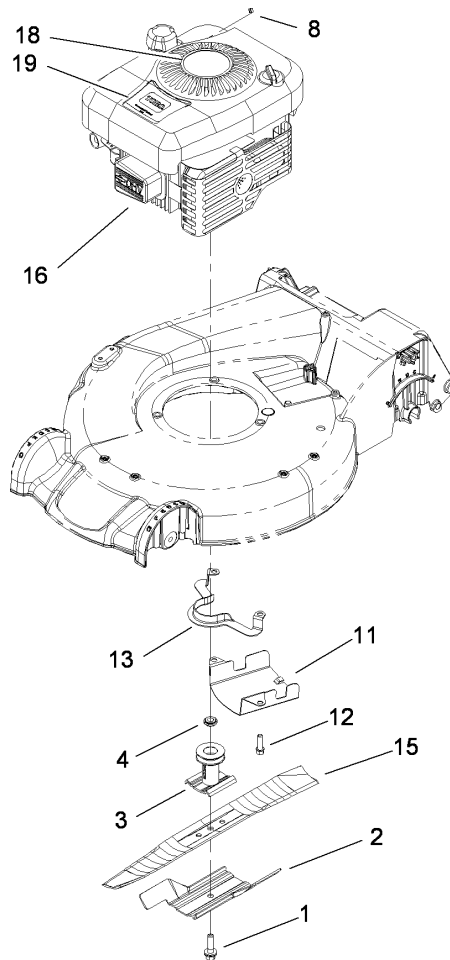
Ref	Part No.	Qty.	Description
1	92-1057	2	Bolt-Shoulder
2	107-3707	2	Wheel Gear ASM
1 2 2:3		1	8 Inch Wheel ASM
2:3:1	27-6250	2	Bushing
3	65-2720	4	Ring-Clip, Locking
4	65-4740	4	Washer-Thrust, Keyed
5	66-6040	1	Key-Rocking, RH
6	66-6050	1	Key-Rocking, LH
7	65-4710	2	Ring-Friction
8	100-8774	2	Pivot Arm ASM
8:2	47-2900	1	Bushing
8:3	70-9760	1	Bushing
8:4	302-56	1	Fitting-Grease
9	105-3042	2	Knob-Lever, HOC
10	42-3520	2	Cap-End
11	49-2040	3	Screw-HWHTF
12	107-7491	2	Arm-Spring
13	603773	2	Nut
14	65-4730	2	Washer-Arm, Pivot
15	65-4760	2	Washer-Clutch
16	65-4750	2	Gear-Pinion
17	65-4720	2	Spring-Compression
18	74-1660	2	Cover-Wheel
19	74-1671	2	Spacer-Cover, Wheel

Ref	Part No.	Qty.	Description
20	99-1597	1	V-Belt
21	108-8140	1	Gear Case ASM
22	107-7483-03	1	Bracket-Gearbox
23	92-1616	1	Screw-HWHTF
24	614673	1	Bushing-Plate, Actuator
25	100-6351	1	Cover-Wheel
26	100-1519	1	Label-Wheel, Smart



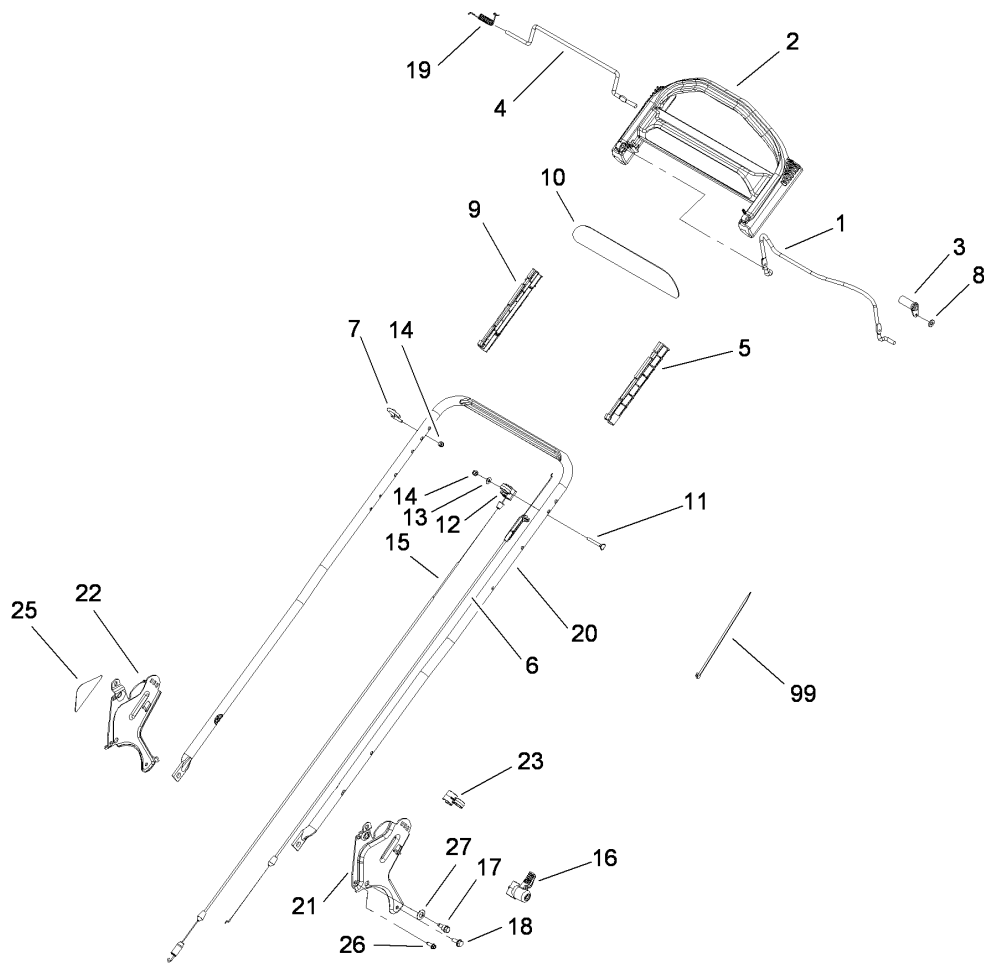
### Gear Case Assembly No. 108-8140

Ref	Part No.	Qty.	Description
1	104-7619	1	Case-Gear
2	614668-03	1	Cover-Case, Gear
3	32144-4	4	Screw-HWH
4	32151-68	1	Ring-Retaining
5	3256-24	1	Washer-Flat
6	3285-19	2	Pin-Groove
7	3296-5	1	Nut-Lock
8	36-4780	2	Washer-Plain
9	36-4791	2	Washer-Thrust
10	60-8750	2	Bushing
11	60-8850	2	Bushing
12	614696	1	Shaft-Intermediate
13	100-1176	2	Pulley-Half
14	100-1048	1	Bearing-Ball
15	62-6660	1	Spacer
16	104-1005	1	Gear-19T Spur, 37T Bevel
17	104-7667	1	Gear-Pinion, Bevel
18	104-1004	1	Gear-30T
19	108-8141	1	Shaft-Output

## Engine Assembly

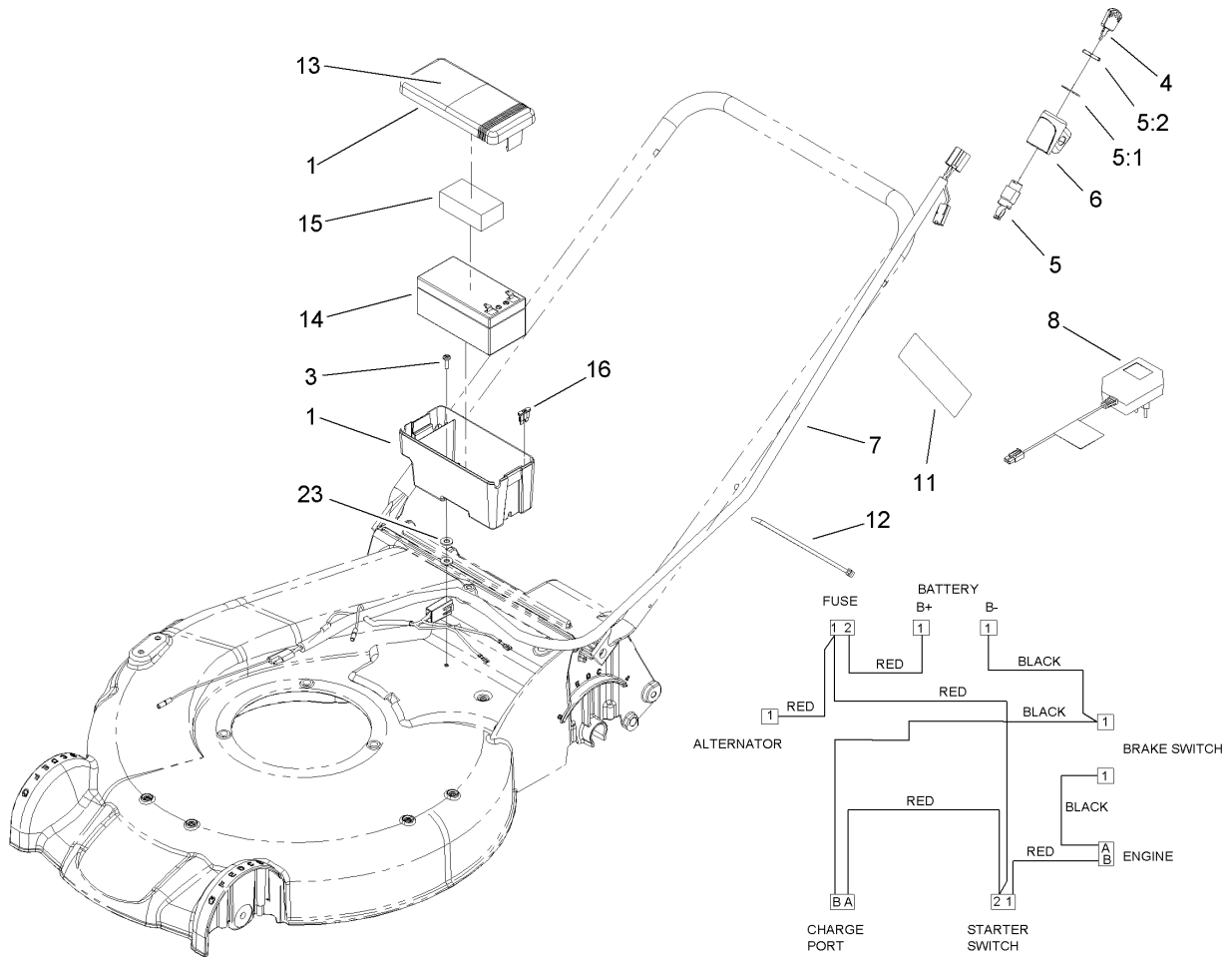
Ref	Part No.	Qty.	Description				
1	105-8579	1	Bolt-Blade				
2	105-6848-03	1	Accelerator-Blade				
3	106-3987	1	Blade Driver ASM				
4	106-3999	1	Spacer-Driver				
8	2210-316	1	Stop-Rope				
11	107-7489-03	1	Shield-Grass				
12	95-1727	3	Screw-Taptite				
13	108-8110-03	1	Guide-Belt				
15	108-3762-03	1	Blade-Recycling				
16		1	Engine-Briggs And Stratton, 122607-0208-B1				
18	114-5363	1	Decal-Engine				
19	110-7493	1	Decal-Recoil				



## Handle Assembly

Ref	Part No.	Qty.	Description
1	104-8679-03	1	Bail-Brake
2	104-8678	1	Handle-Control
3	99-1589	1	Lever-Traction
4	99-1588	1	Bar-Control, Traction
5	105-6842	1	Guide-LH
6	108-8157	1	Cable-Brake
7	86-9671	1	Guide-Rope
8	3256-23	1	Washer-Flat
9	105-6841	1	Guide-RH
10	110-7056	1	Decal-Ads, Handle
11	321-50	1	Screw-HH
12	99-5239	1	Anchor-Cable
13	3256-1	1	Washer-Flat
14	3296-73	2	Nut-Lock, NI
15	108-8158	1	Cable-Traction
16	115-2860	2	Quick Release ASM
17	115-1958	2	Bolt-Shoulder
18	32144-11	2	Screw-HWHTF
19	104-8690	1	Spring-Torsion
20	115-1300-05	1	Handle
21	114-2671-03	1	Bracket-Handle, LH
22	114-2672-03	1	Bracket-Handle, RH
23	106-6805	1	Guide-Cable
25	115-2884	1	Decal-Instruction

Ref	Part No.	Qty.	Description
26	49-2040	2	Screw-HWHTF
27	112-9972	2	Washer-Conical, Spring
99	614249	3	Strap-Tie

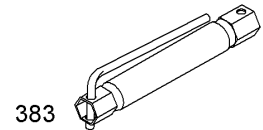
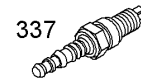
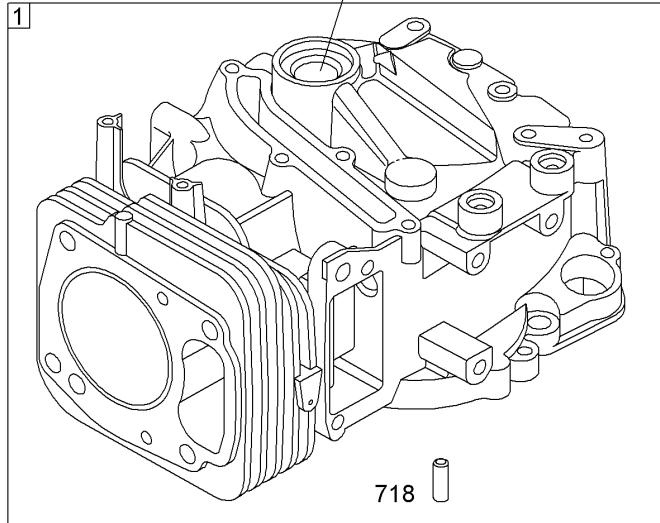
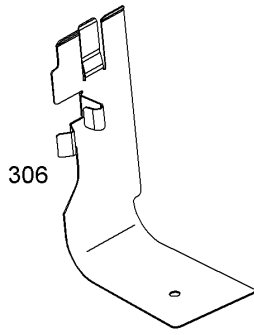
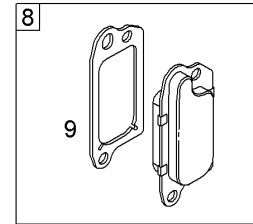
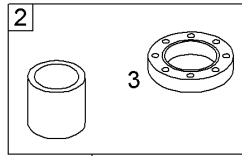
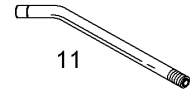
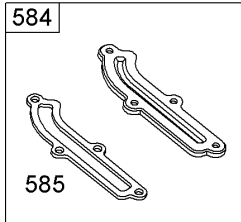


## Electrical Assembly

Ref	Part No.	Qty.	Description
1	108-4844	1	Battery Box ASM
3	32144-32	1	Screw
4	700918	1	Key
5	46-5780	1	Switch-Starter
5:1	3254-5	1	Washer-Tooth
5:2	218-461	1	Nut-HH
6	108-9760	1	Mount-Switch
7	108-4792	1	Harness
8	98-2391	1	Charger-European, 12V Dc
11	104-7953	1	Decal-Harness
12	614249	2	Strap-Tie
13	108-4791	1	Decal-Instructional
14	106-8397	1	Battery-12 Volt
15	107-3774	1	Foam-Battery, Top
16	99-6124	2	Fuse-40 Amp
23	3256-22	2	Washer-Flat




1058 OPERATOR'S MANUAL



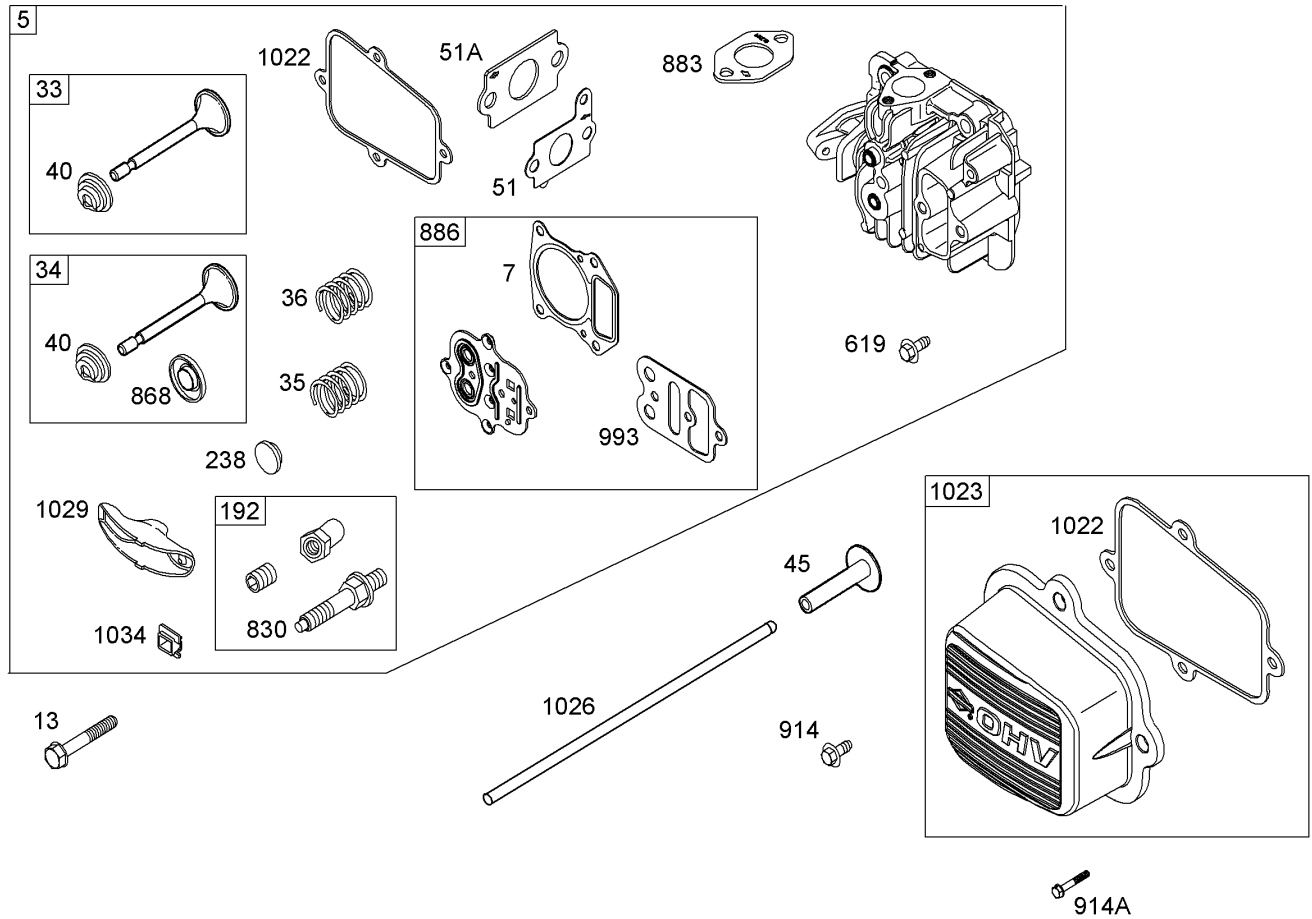
Assemblies include all parts shown in frames

# Cylinder Assembly

## Briggs and Stratton 122607-0208-B1

Ref	Part No.	Qty.	Description
1	790363	1	Cylinder ASM
2	399269	1	Bushing Seal Kit (Magneto Side)
3	299819s	1	Oil Seal (Magneto Side)
8	495786	1	Breather ASM
9	699833	1	Gasket-Breather
7			
10	691125	1	Screw (Breather ASM)
11	691260	1	Tube-Breather
306	691232	1	Shield-Cylinder
307	690345	1	Screw (Cylinder Shield)
337	692720	1	Plug-Spark
383	19374s	1	Wrench-Spark Plug
584	697734	1	Cover-Passage, Breather
585	691879	1	Gasket-Passage, Breather
635	66538s	1	Boot-Spark Plug
684	690345	1	Screw (Breather Passage Gasket)
718	690959	1	Pin-Locating
1058	MS5578	1	Operator's Manual

--	--	--	--

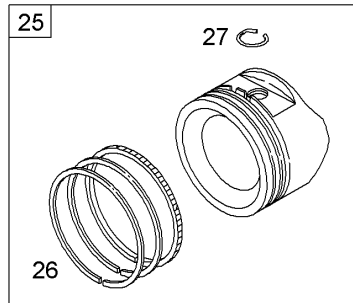
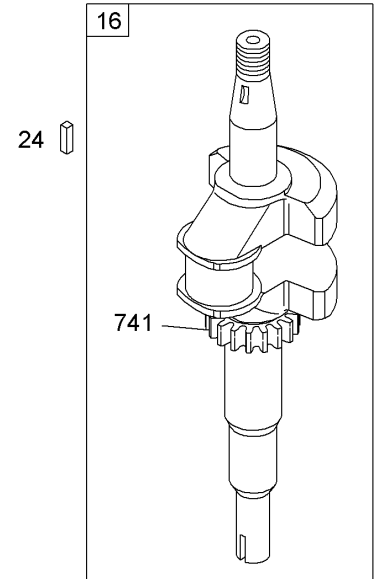
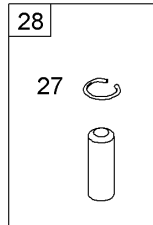
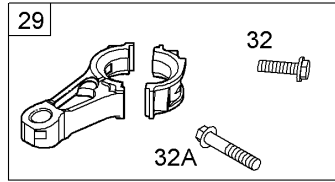
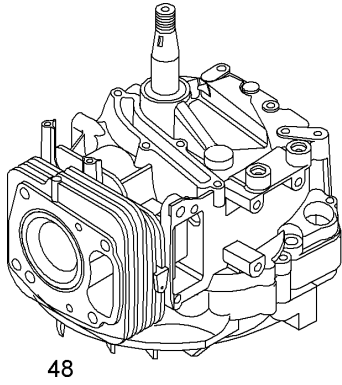


Assemblies include all parts shown in frames

## Cylinder Head Assembly Briggs and Stratton 122607-0208-B1

Ref	Part No.	Qty.	Description
5	792381	1	Head-Cylinder
5 7	697230	1	Gasket-Head, Cylinder
5 13	691137	1	Screw (Cylinder Head)
5 33	499642	1	Valve-Exhaust
5 34	499641	1	Valve-Intake
5 35	691304	1	Spring-Valve (Intake)
5 36	691304	1	Spring-Valve (Exhaust)
5 40	692194	1	Retainer-Valve
5 45	690977	1	Tappet-Valve
4 5 51	692668	1	Gasket-Intake
4 5 7			
4 5 51A	697735	1	Gasket-Intake
4 5 7			
5 192	694543	1	Adjuster-Arm, Rocker
5 238	691300	1	Cap-Valve
5 619	691108	1	Screw (Cylinder Head Plate)
5 830	694544	1	Stud-Arm, Rocker
5 5 868	692044	1	Seal-Valve
5 7			
5 5 883	691893	1	Gasket-Exhaust
5 7			
5 886	696268	1	Cylinder Head Plate Gasket Kit
5 914	691127	1	Screw (Rocker Cover)
5 914A	691108	1	Screw (Rocker Cover)

Ref	Part No.	Qty.	Description
5 5 993	694088	1	Gasket-Head Plate, Cylinder
5 7			
5 5 1022	691890	1	Gasket-Cover, Rocker
5 7			
5 1023	692694	1	Cover-Rocker
5 1026	692045	1	Rod-Push
5 1029	691230	1	Arm-Rocker
5 1034	691343	1	Guide-Rod, Push



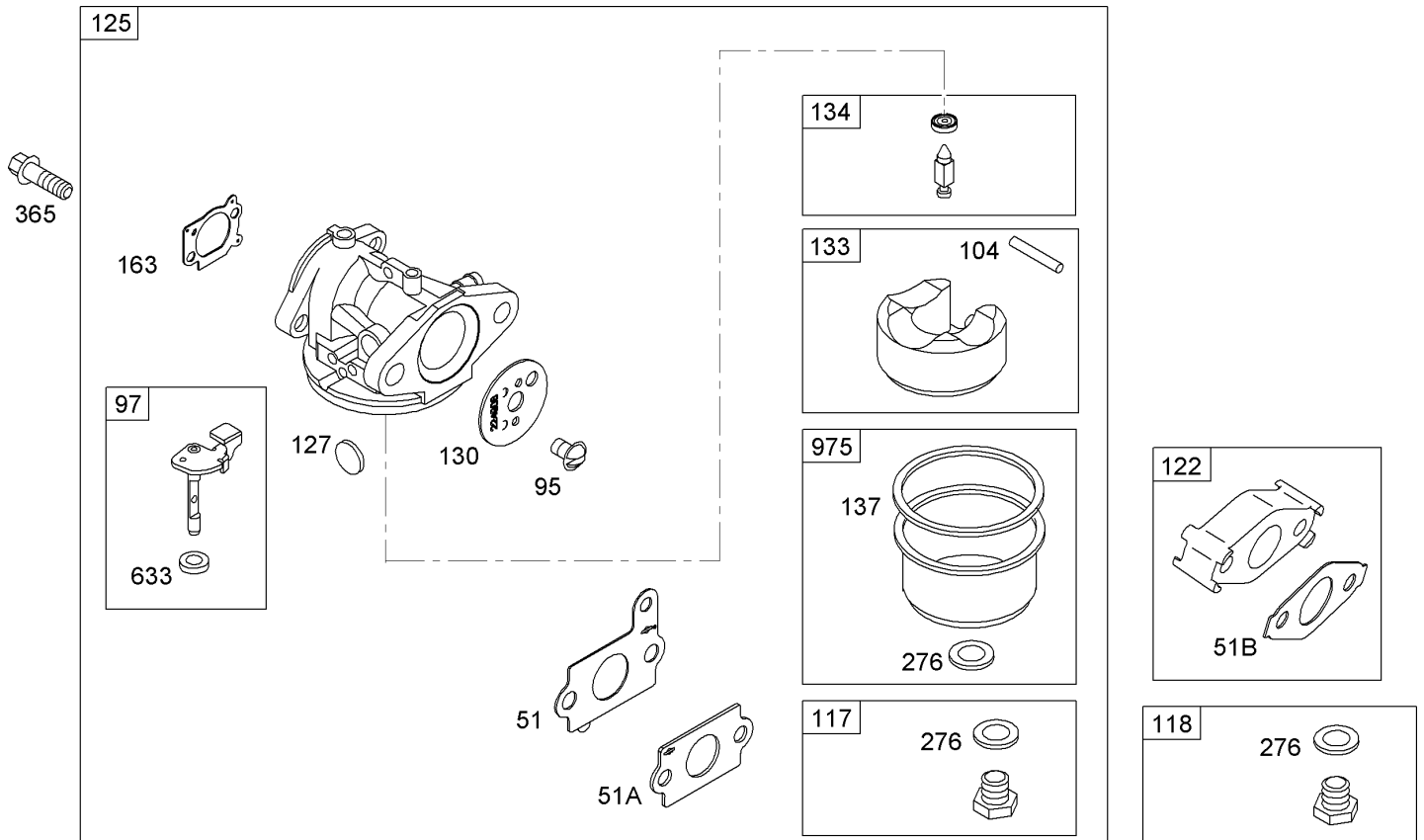
Assemblies include all parts shown in frames

## Crankshaft Assembly Briggs and Stratton 122607-0208-B1

Ref	Part No.	Qty.	Description
16	695950	1	Crankshaft
24	222698	1	Key
25	792004	1	Piston ASM (STD)
25	791325	1	Piston ASM (.020 O S)
26	791969	1	Ring Set (STD)
26	791324	1	Ring Set (.020 O S)
27	691866	1	Lock-Pin, Piston
28	499423	1	Pin-Piston
29	499424	1	Rod-Connecting
32	691664	1	Screw (Connecting Rod)
32A	695759	1	Screw (Connecting Rod)
48		1	Short Block
741	790345	1	Gear-Timing

--	--	--	--





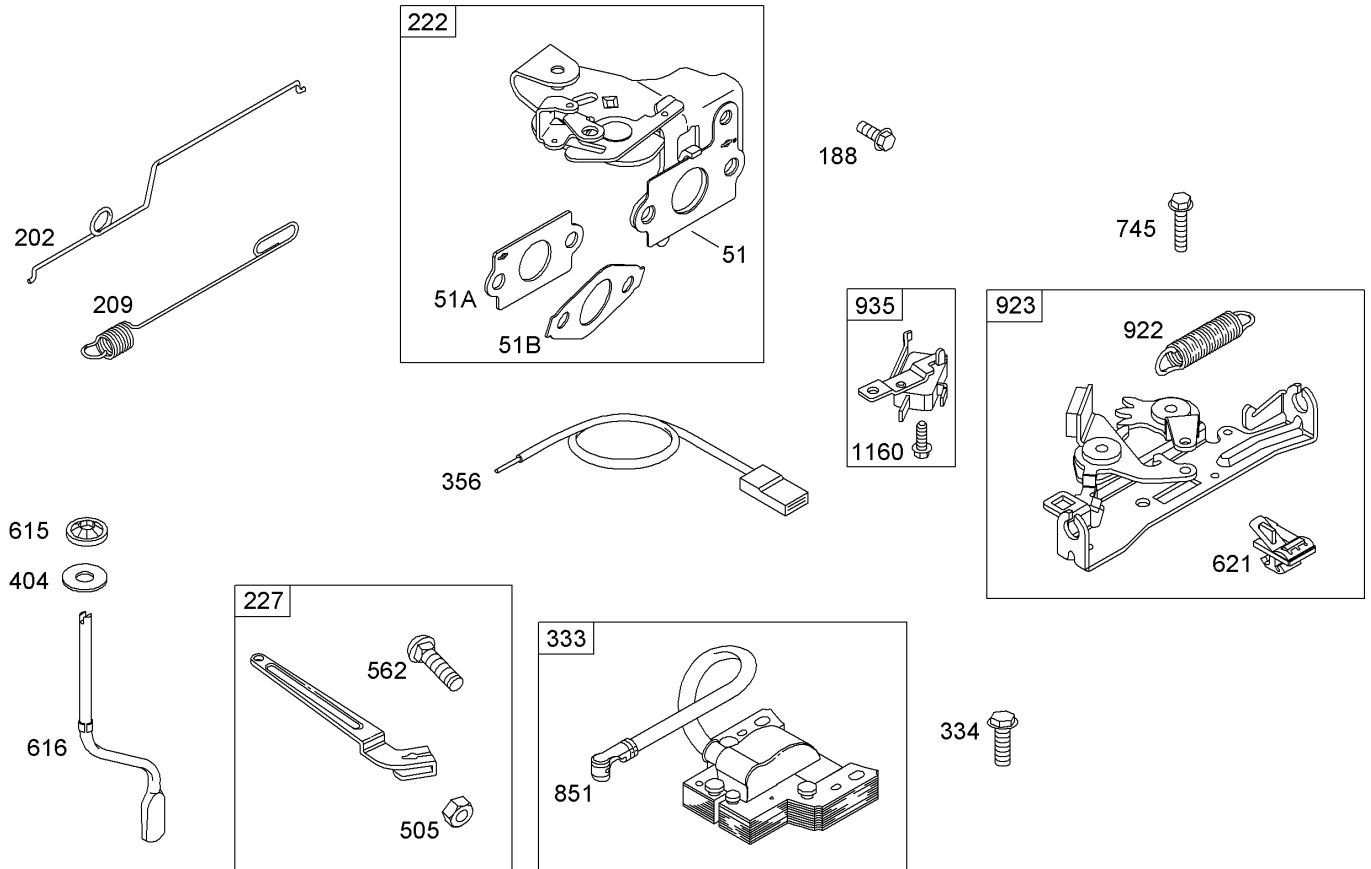
Assemblies include all parts shown in frames

## Carburetor Assembly Briggs and Stratton 122607-0208-B1

Ref	Part No.	Qty.	Description
4 5 1 6 7	692668	1	Gasket-Intake
4 5 1A 6 7	697735	1	Gasket-Intake
4 5 1B 6 7	692555	1	Gasket-Intake
3 95	691636	1	Screw (Throttle Valve)
3 97	790121	1	Shaft-Throttle
3 4 104	691242	1	Pin-Hinge, Float
3 117	498978	1	Jet-Main (STD)
3 118	498975	1	Jet-Main (High Altitude)
3 122	792382	1	Spacer-Carburetor
3 125	790120	1	Carburetor
3 4 127	694468	1	Plug-Welch
3 130	696564	1	Valve-Throttle
3 133	398187	1	Float-Carburetor
3 4 134	398188	1	Needle And Seat Kit
3 4 137 6	693981	1	Gasket-Bowl, Float
4 5 163 6 7	691894	1	Gasket-Cleaner, Air
3 4 276 6	271716	1	Washer-Sealing
3 365	691129	1	Screw (Carburetor)
3 4 633 6	691321	1	Seal-Shaft, Choke Throttle

Ref	Part No.	Qty.	Description
975	493640	1	Bowl-Float





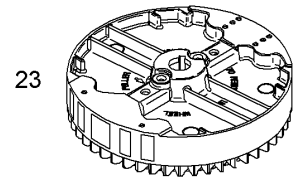
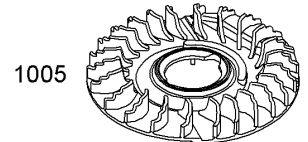
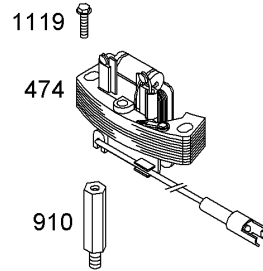
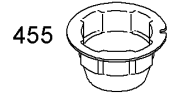
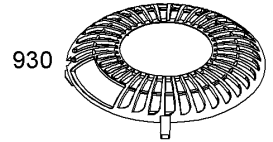
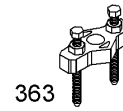
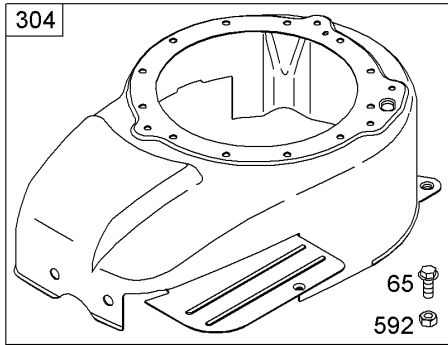
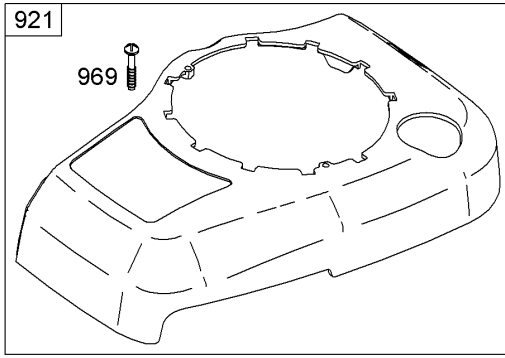
Assemblies include all parts shown in frames

## Governor Assembly Briggs and Stratton 122607-0208-B1

Ref	Part No.	Qty.	Description
4 51	692668	1	Gasket-Intake
6 7			
4 51A	692799	1	Gasket-Intake
6 7			
4 51B	692555	1	Gasket-Intake
6 7			
3 188	691127	1	Screw (Control Bracket)
3 202	691303	1	Link-Governor, Mechanical
3 209	791156	1	Spring-Governor
3 222	792404	1	Bracket-Control
3 227	690783	1	Lever-Control, Governor
3 333	802574	1	Armature-Magneto
3 334	691061	1	Screw (Magneto Armature)
3 356	692390	1	Wire-Stop
3 404	690272	1	Washer (Governor Crank)
3 505	691251	1	Nut (Governor Control Lever)
3 562	691119	1	Screw (Governor Control Lever)
3 615	690340	1	Retainer-Shaft, Governor
3 616	698801	1	Crank-Governor
3 621	692310	1	Switch-Stop
3 745	691648	1	Screw (Brake)
3 851	493880s	1	Terminal-Spark Plug
3 922	691831	1	Spring-Brake
3 923	691994	1	Brake ASM
3 935	499421	1	Switch-Interlock

Ref	Part No.	Qty.	Description
3 1160	691627	1	Screw (Interlock Switch)





1036 Emissions Label

Assemblies include all parts shown in frames

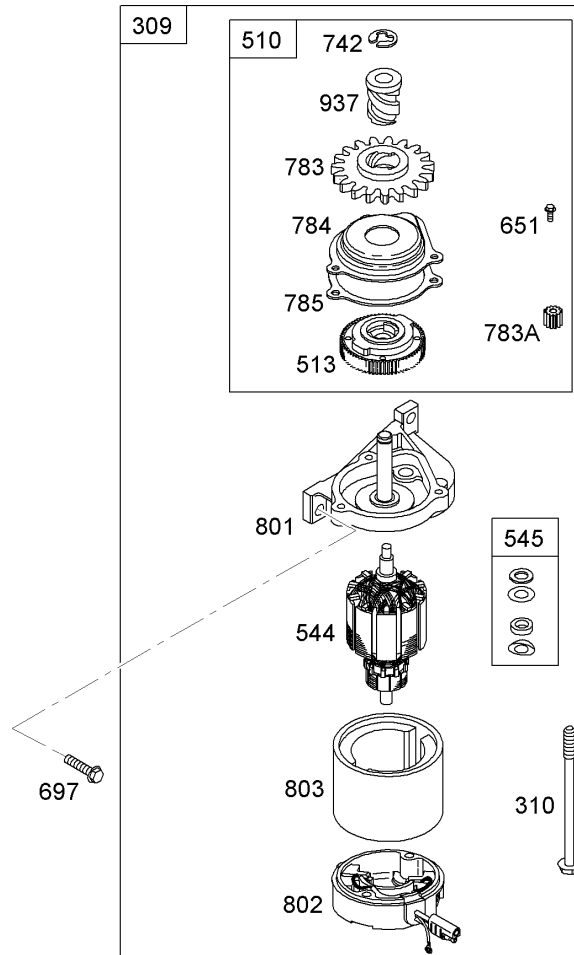
# Blower Housing Assembly

## Briggs and Stratton 122607-0208-B1

Ref	Part No.	Qty.	Description
●23	696569	1	Flywheel
●65	690837	1	Screw (Rewind Starter)
●304	499677	1	Housing-Blower
●305	691108	1	Screw (Blower Housing)
●332	690662	1	Nut (Flywheel)
●363	19069	1	Puller-Flywheel
●455	791960	1	Cup-Flywheel
●474	691991	1	Alternator
●592	690800	1	Nut (Rewind Starter)
●910	691094	1	Stud (Alternator)
●921	692699	1	Cover-Housing, Blower
●930	692691	1	Guard-Rewind
●969	691138	1	Screw (Blower Housing Cover)
●1005	691346	1	Fan-Flywheel
●1036		1	Label-Emissions (Available From An Authorized Briggs And Stratton Service Dealer)
●1119	692971	1	Screw (Alternator)

--	--	--	--

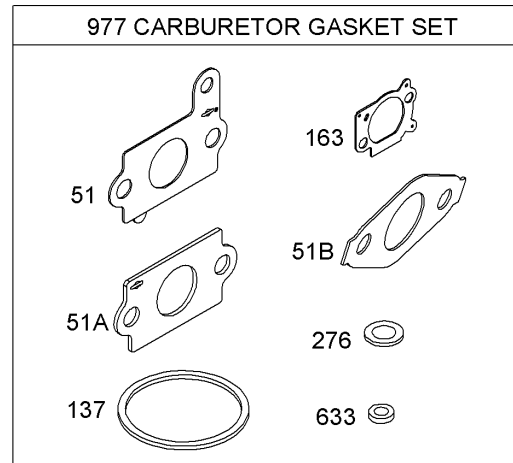
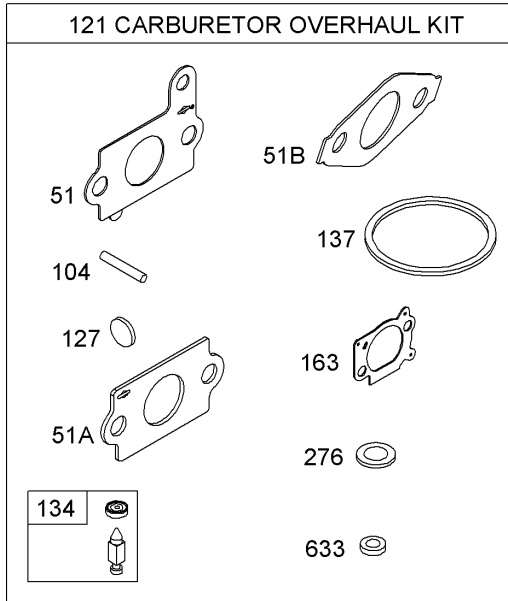




## Electric Starter Assembly Briggs and Stratton 122607-0208-B1

Ref	Part No.	Qty.	Description				
309	695550	1	Motor-Starter				
310	692327	1	Bolt (Starter Motor)				
510	494147	1	Drive-Starter				
513	692358	1	Clutch-Drive				
544	690786	1	Armature-Starter				
545	492919	1	Washer Set				
651	691660	1	Screw (Starter Gear Cover)				
697	691127	1	Screw (Starter Motor)				
742	93941	1	Retainer-E Ring				
783	691918	1	Gear-Pinion				
783A	691269	1	Gear-Pinion				
784	692341	1	Cover-Gear, Starter				
785	692352	1	Gasket-Cover, Starter				
801	690782	1	Cap-Drive				
802	695267	1	Cap-End				
803	695266	1	Housing-Starter				
937	691325	1	Spline-Starter				





Assemblies include all parts shown in frames

## Carburetor Overhaul Kit Briggs and Stratton 122607-0208-B1

Ref	Part No.	Qty.	Description
4 5 51 6 7	692668	1	Gasket-Intake
4 5 51A 6 7	697735	1	Spacer-Carburetor
4 5 51B 6 7	692555	1	Gasket-Intake
3 4 104	691242	1	Pin-Hinge, Float
3 121	792383	1	Carburetor Overhaul Kit
3 4 127	694468	1	Plug-Welch
3 4 134	398188	1	Needle And Seat Kit
3 4 137 6	693981	1	Gasket-Bowl, Float
4 5 163 6 7	691894	1	Gasket-Cleaner, Air
3 4 276 6	271716	1	Washer-Sealing
3 4 633 6	691321	1	Seal-Shaft, Choke Throttle
3 977	792385	1	Carburetor Gasket Set

--	--	--	--

# Attachments and Accessories

## For 20796 - 53cm Super Recycler Lawn Mower

Product Name	Model/Part
Traction Assist Handle Kit .....	108-8120
Toro Walk Mower Cover .....	490-7462
Plain Walk Mower Cover .....	490-7463
Dethatcher Kit .....	59131

# NOTES

