



Z340 Z Master[®] With 40in 7-Gauge Side Discharge Mower

Model No. 74409 - 270000001 and up.

Model No. 74409CP - 270000001 and up.

Parts Catalog

Ordering Replacement Parts

To order replacement parts, please supply the part number, the quantity, and the description of each part desired.

Understanding Reference Numbers

Each Identified part in an illustration has a reference number. The reference number for a part also appears in the parts list, along with other information about the part.

This catalog uses two special reference number formats, one to indicate parts in a service assembly and another to indicate the quantity of a given part in an illustration.

Service Assembly Reference Numbers

Parts in service assemblies have reference numbers in the form a:b. The a represents the reference number of the entire service assembly and the b represents a sequential number unique to each part within the service assembly.

For example, a wheel assembly might be identified by reference number 6, the tire by 6:1, the valve by 6:2, and the wheel by 6:3. When you order the assembly identified by reference number 6, you receive all parts identified by reference numbers 6:1, 6:2, and 6:3. However, you may also order any part individually. Reference numbers of this type appear in illustrations and in part lists.

Reference Numbers Indicating Quantity

In an illustration, if a reference number indicates more than one part, the reference number has the form nX y. The n represents the quantity of the part, the X is the multiplication symbol, and the y represents the reference number.

For example, in an illustration, the reference number 2X 37 means that two of the parts identified by reference number 37 are indicated.

Contents

Description	Page	Description	Page
Deck Connection Assembly	3	Piston and Crankshaft Assembly Kawasaki FH580V-AS40-R	22
Deck Assembly	4	Valve and Camshaft Assembly Kawasaki FH580V-AS40-R	23
Spindle Assembly No. 110-9963	5	Lubrication Equipment Assembly Kawasaki FH580V-AS40-R	24
Deck Decal Assembly No. 112-3769	6	Cooling Equipment Assembly Kawasaki FH580V-AS40-R	25
Deflector Assembly No. 110-9917	7	Electric Equipment Assembly Kawasaki FH580V-AS40-R	26
Idler Assembly	8	Control Equipment Assembly Kawasaki FH580V-AS40-R	27
Brake Linkage Assembly	9	Carburetor Assembly Kawasaki FH580V-AS40-R	28
Front Frame Assembly	10	Air Filter and Muffler Assembly Kawasaki FH580V-AS40-R	29
Frame Decal Assembly No. 112-3789	11	Fuel Tank and Valve Assembly Kawasaki FH580V-AS40-R	30
Caster and Height-of-Cut Assembly	12	Starter Assembly Kawasaki FH580V-AS40-R	31
Seat Assembly	13	Label Assembly Kawasaki FH580V-AS40-R	32
Motion Control Assembly	14	Attachments and Accessories List	33
Fuel Tank Assembly	15		
Engine Mounting Assembly	16		
Hydraulic Drive Assembly	17		
RH Transmission Assembly No. 109-2240	18		
LH Transmission Assembly No. 109-2241	19		
Electrical Assembly	20		
Cylinder and Crankcase Assembly Kawasaki FH580V-AS40-R	21		

Part Description Abbreviations

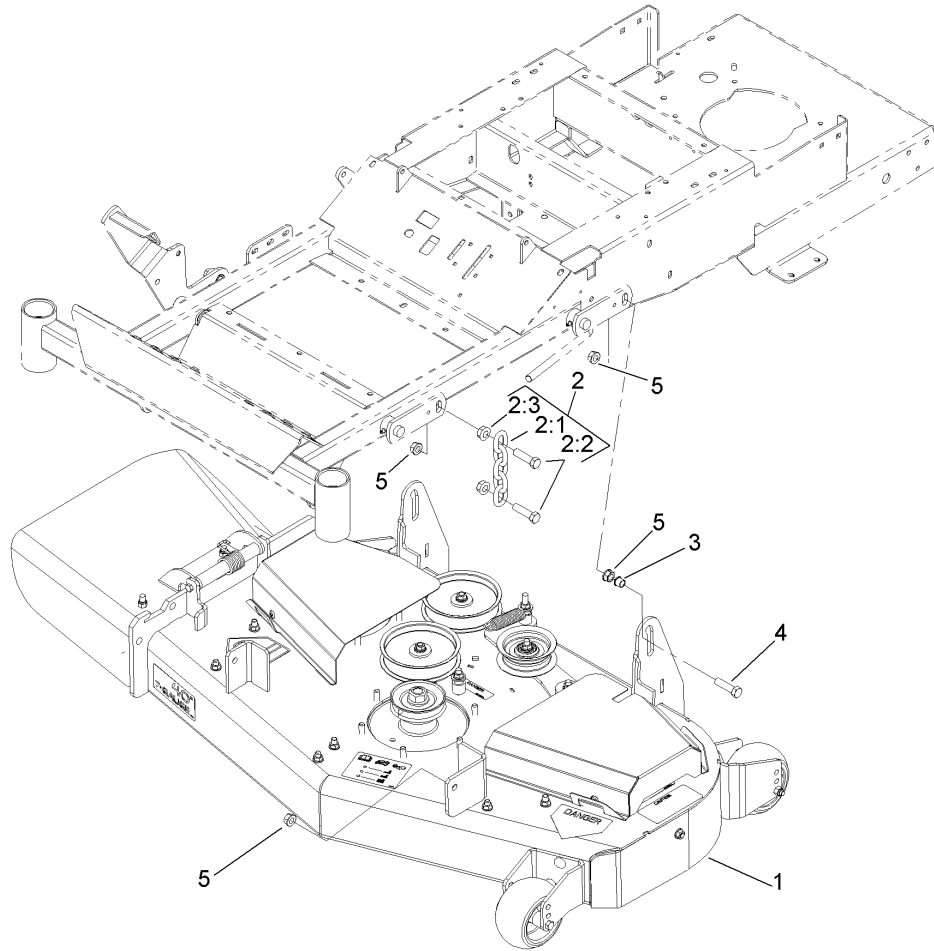
Part descriptions in this catalog may include the following abbreviations.

AR. as required	HYD. hydraulic
ASM. assembly	LH. left hand
BBC. blade brake clutch	NI. nylon insert
CARR. carriage	NPTF. national pipe thread fine
DEG. degrees	PFH. phillips flat head
EXT. external	PPH. phillips pan head
FH. flat head	PPHTF. phillips pan head thread forming
GA. gauge	PRH. phillips round head
HD. heavy-duty	PTH. phillips truss head
HF. hex flange	PTO. power-take-off
HH. hex head	RH. right hand
HHF. hex head flange	ROPS. roll-over protection system
HHFTF. hex head flange thread forming	SFH. slotted fillister head
HJ. hex jam	SHH. slotted hex head
HLH. hex lag head	SHWH. slotted hex washer head
HOC. height-of-cut	SPH. slotted pan head
HSBH. hex socket button head	SQH. square head
HSFH. hex socket flat head	SRH. slotted round head
HSH. hex socket head	STD. standard
HWH. hex washer head	TAP. self tapping
HWHTF. hex washer head thread forming	TTH. torx truss head

Footnotes

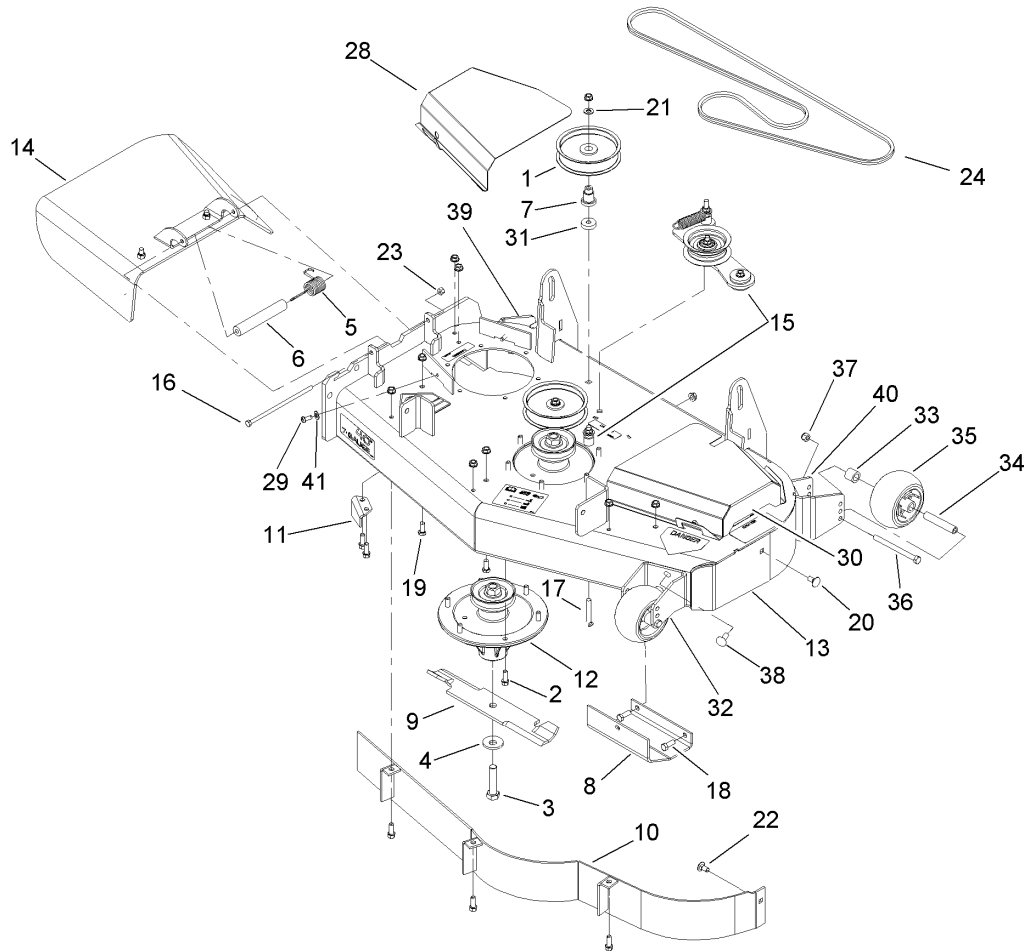
- ❶ Not illustrated
- ❷ Obtain from your local Kawasaki dealer

- ❸ Not serviced separately



Deck Connection Assembly

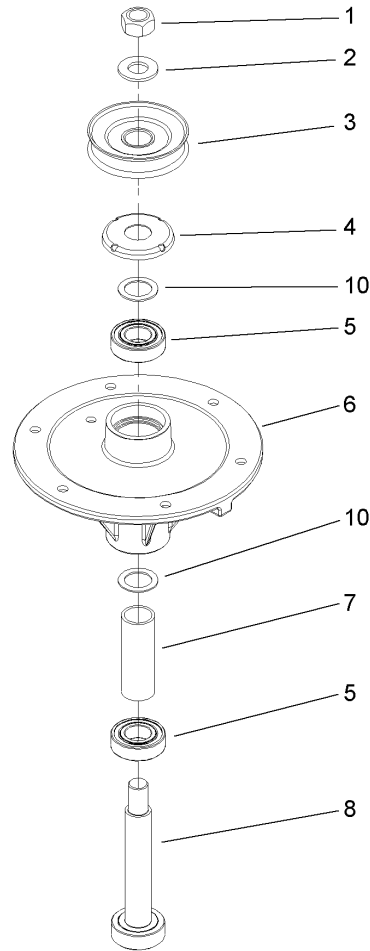
Ref	Part No.	Qty.	Description
1		1	Deck ASM
2	103-9817	2	Deck Chain ASM
2:1	1-633447	1	Chain-Lift, Deck
2:2	103-1898	2	Screw-HH
2:3	32128-37	2	Nut-HF
3	104-9776	2	Bushing-Flanged
4	103-1898	2	Screw-HH
5	32128-37	8	Nut-HF



Deck Assembly

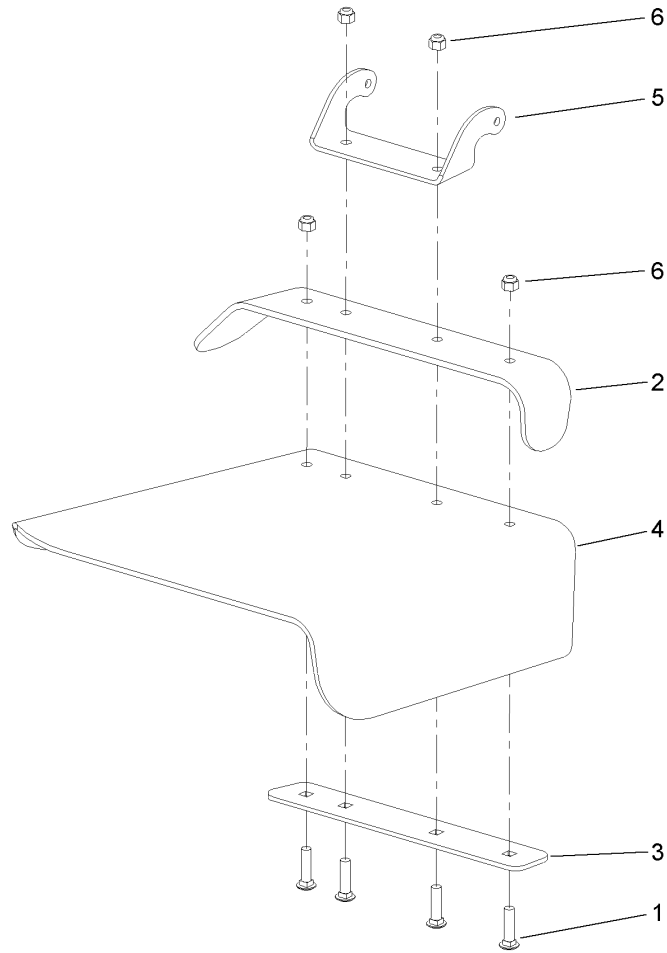
Ref	Part No.	Qty.	Description
1	1-613098	2	Pulley-Idler
2	92-1624	23	Screw
3	51-4060	3	Screw-Blade
4	103-0865	3	Washer-Blade Bolt, Heavy
5	108-4052	1	Spring-Torsion
6	105-4622	1	Spacer
7	106-3214	2	Mount-Pulley
8	107-3166-01	1	Skid
9	108-4081-03	3	Blade-14 Inch (High Sail)
10	108-7266-01	1	Baffle ASM
11	108-7273-01	1	Baffle-Discharge
12	110-9963	3	Spindle ASM
13	112-3769	1	Deck ASM
14	110-9917	1	Deflector ASM
15		1	Idler ASM
16	322-50	1	Screw-HH
17	3231-31	2	Screw-CARR
18	323-46	2	Screw-HH
19	323-5	3	Screw-HH
20	3231-1	2	Screw-CARR
21	3256-24	2	Washer-Flat
22	3290-357	23	Nut-HHF, Whiz
23	3296-29	1	Nut-Lock, NI
24	114-0453	1	Belt-V

Ref	Part No.	Qty.	Description
28	110-9959-01	1	Cover-RH
29	32144-70	4	Screw-HWHTF
30	110-9982-01	1	Cover-LH
31	105-7788	2	Spacer
32	110-9946-01	1	Plate-Support, Wheel
33	98-7913	3	Tube-Spacer
34	98-7912	3	Tube-Spanner
35	1-603299	3	Roller-Scalp, Anti
36	323-23	3	Screw-HH
37	3296-39	3	Nut-Lock, NI
38	3231-2	9	Screw-CARR
39	110-9991-01	1	Mount-Wheel, RH
40	110-9992-01	1	Mount-Wheel, LH
41	3256-23	4	Washer-Flat



Spindle Assembly No. 110-9963

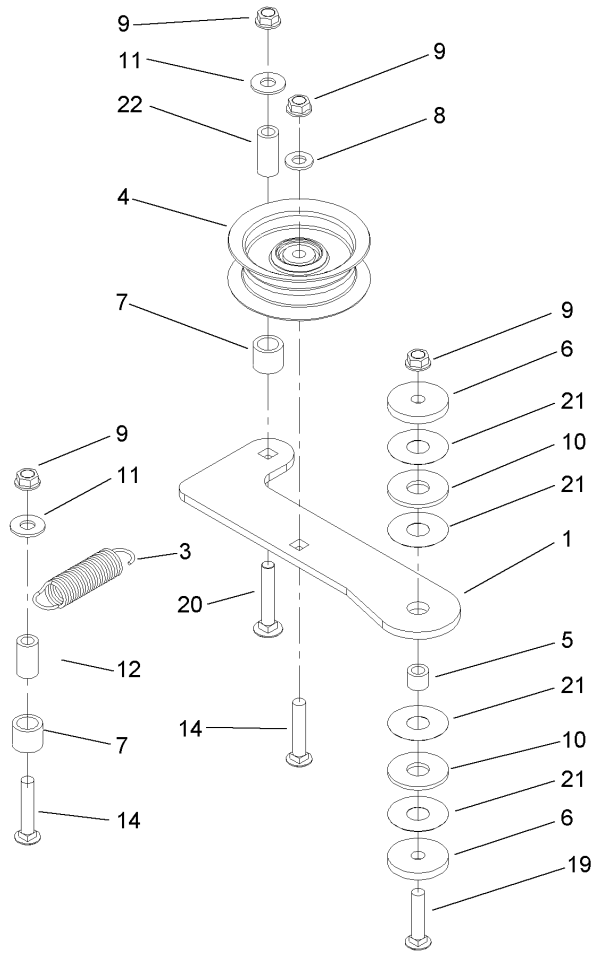
Ref	Part No.	Qty.	Description
1	3219-7	1	Nut-Hex
2	7-4150	1	Washer
3	110-9931	1	Pulley
4	106-3204	1	Shield-Bearing
5	104-6325	2	Bearing
6	108-6696	1	Housing-Spindle
7	107-8502	1	Spacer-Bearing
8	110-0726	1	Shaft-Spindle
10	10-8110	2	Washer-Thrust



Deflector Assembly No. 110-9917

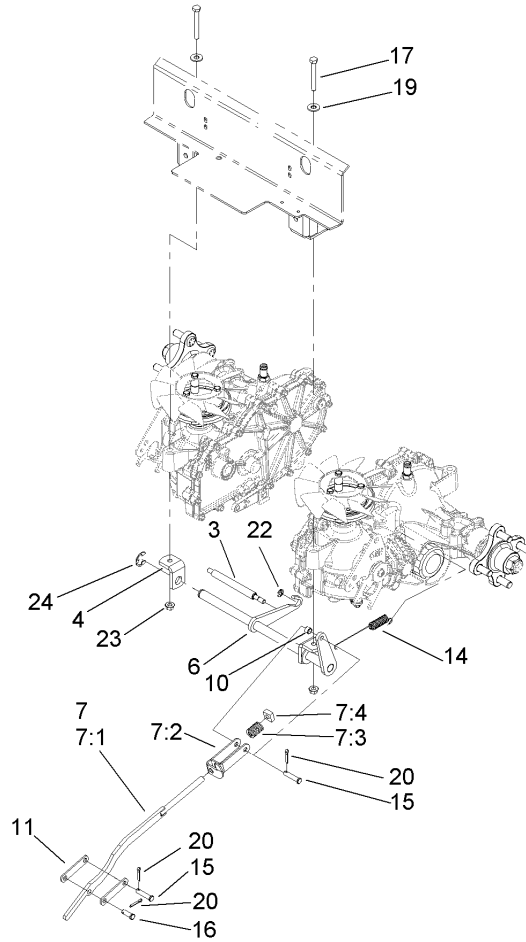
Ref	Part No.	Qty.	Description
1	3231-4	4	Screw-CARR
2	110-0792-01	1	Deflector
3	110-0793-03	1	Strap-Discharge
4	110-0791	1	Deflector-Rubber
5	110-9923	1	Bracket-Mounting, Deflector
6	3296-39	4	Nut-Lock, NI

--	--	--	--



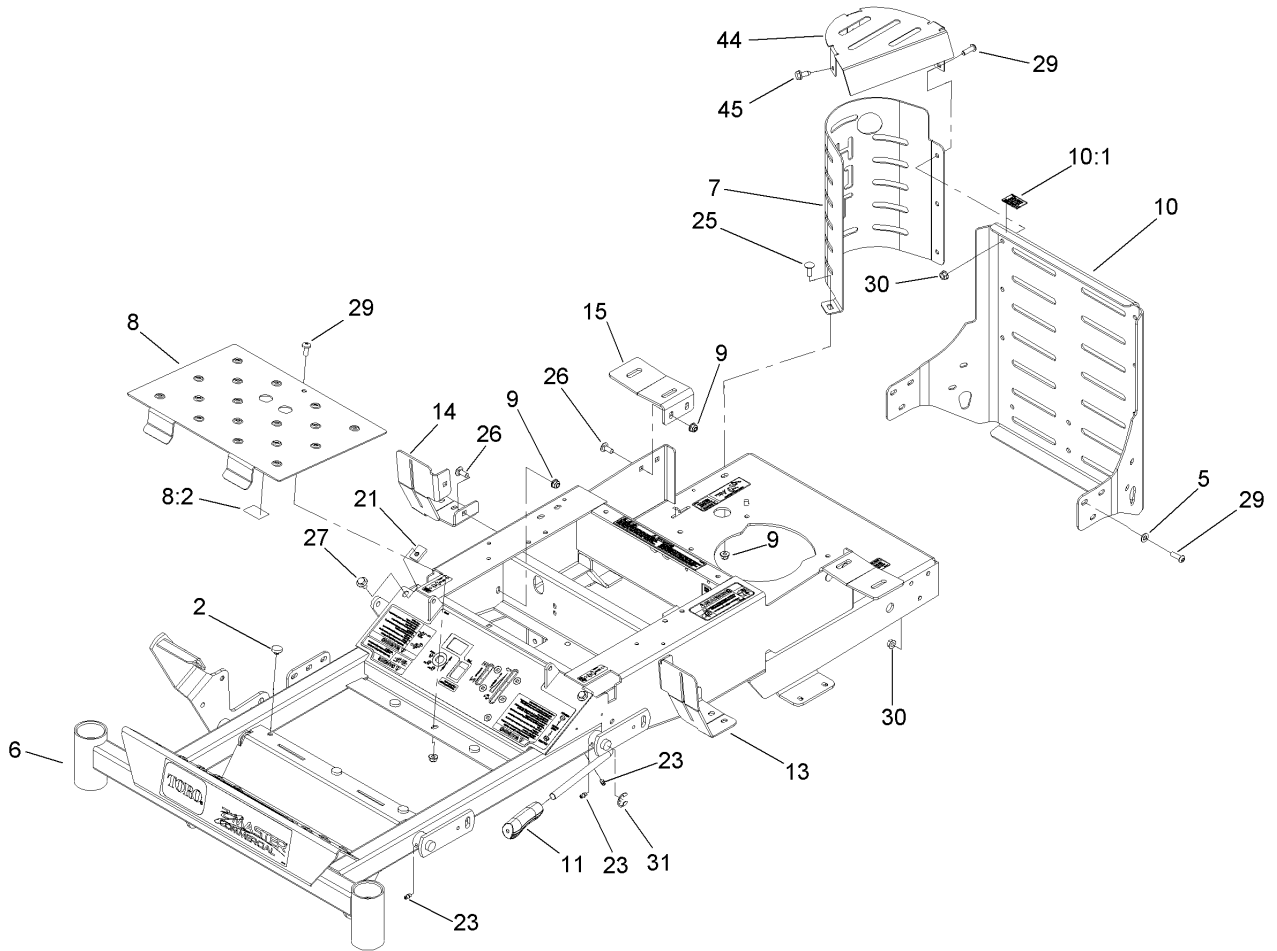
Idler Assembly

Ref	Part No.	Qty.	Description
1	110-9996	1	Arm-Idler
3	108-4056	1	Spring-Extension
4	106-2175	1	Pulley-Idler, Flat
5	1-413088	1	Bushing-Lever, Lift
6	110-9981	2	Washer-Plain
7	108-4063	2	Spacer-Rubber
8	3256-24	1	Washer-Flat
9	3290-357	4	Nut-HHF, Whiz
10	112-3788	2	Spacer
11	3256-4	3	Washer-Flat
12	1-603401	1	Spacer-Fender
14	3231-6	2	Screw-CARR
19	3231-5	1	Screw-CARR
20	3231-7	1	Screw-CARR
21	110-9998	4	Washer
22	104-0151	1	Spacer



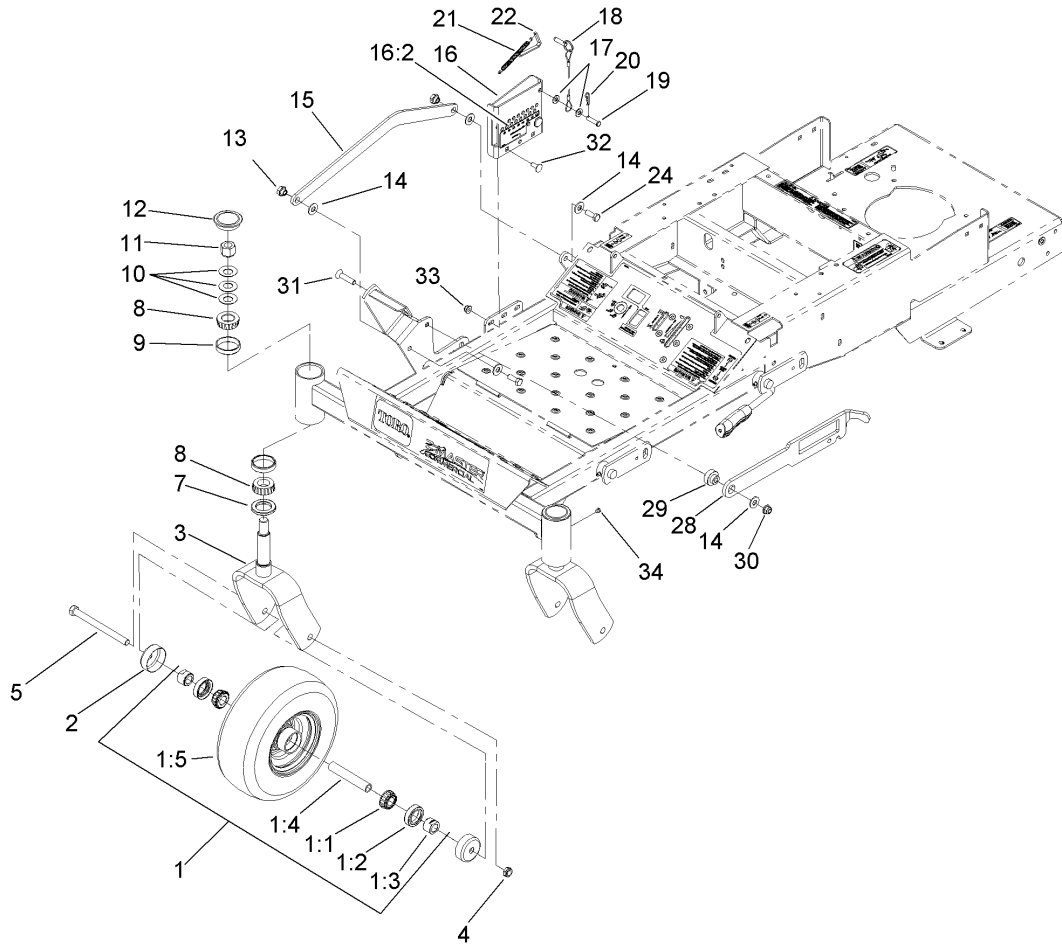
Brake Linkage Assembly

Ref	Part No.	Qty.	Description				
3	103-9408	1	Bar-Equalizer				
4	103-9409	1	Bracket-Pivot, Brake				
6	109-4754	1	Bellcrank-Brake				
7		1	Brake Link ASM				
7:1	109-0227	1	Link-Brake				
7:2	103-9938	1	Clevis-Brake				
7:3	103-9925	1	Spring-Brake				
7:4	103-9926	1	Nut-Square				
10	1-633545	1	Spacer				
11	109-0223	2	Link-Center, Over				
14	109-2861	1	Spring-Return, Brake				
15	283-6	2	Pin-Clevis				
16	283-75	1	Pin-Clevis				
17	322-12	2	Screw-HH				
19	3256-3	2	Washer-Flat				
20	3272-10	3	Pin-Cotter				
22	32120-35	1	Ring-Retaining, EXT				
23	32128-20	2	Nut-HF				
24	32151-48	1	E-Ring				



Front Frame Assembly

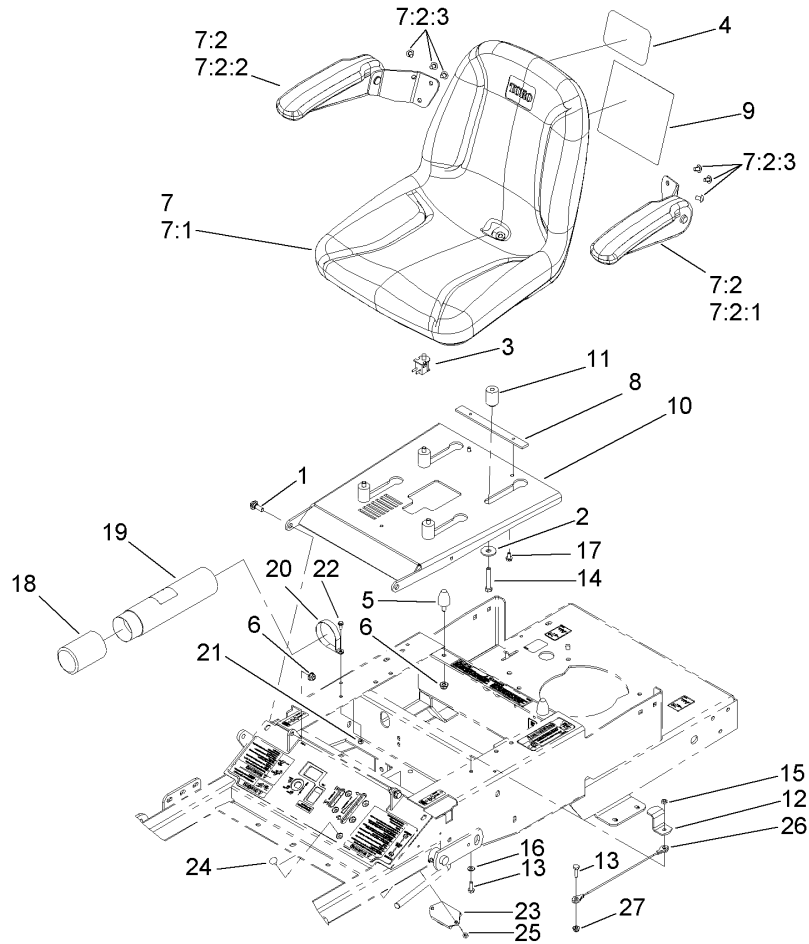
Ref	Part No.	Qty.	Description
2	1-513658	5	Bumper
5	3256-23	6	Washer-Flat
6	112-3789	1	Frame Decal ASM
7	103-9343-03	1	Guard-Muffler
8	112-3866	1	Floor Pan ASM
8:2	1-513748	1	Decal-Guard
9	104-8300	19	Nut-Flange, NI
10	109-3126	1	Rear Guard ASM
10:1	1-513746	1	Decal-Muffler
11	109-0375	1	Grip-Lever, Brake
13	109-2421-03	1	Mount-Tank, Fuel (LH)
14	109-2422-03	1	Mount-Tank, Fuel (RH)
15	109-2429-03	2	Bracket-Fuel Tank, Rear
21	109-2605	2	Motion Stop
23	302-19	5	Fitting-Grease
25	3230-22	1	Screw-CARR
26	3230-23	8	Screw-CARR
27	3234-7	2	Screw-HHF
29	3274-104	11	Screw-HSBH
30	32128-20	11	Nut-HF
31	32151-48	1	E-Ring
44	110-9979-03	1	Shield-Heat, Ce
45	32144-70	2	Screw-HWHTF



Caster and Height-of-Cut Assembly

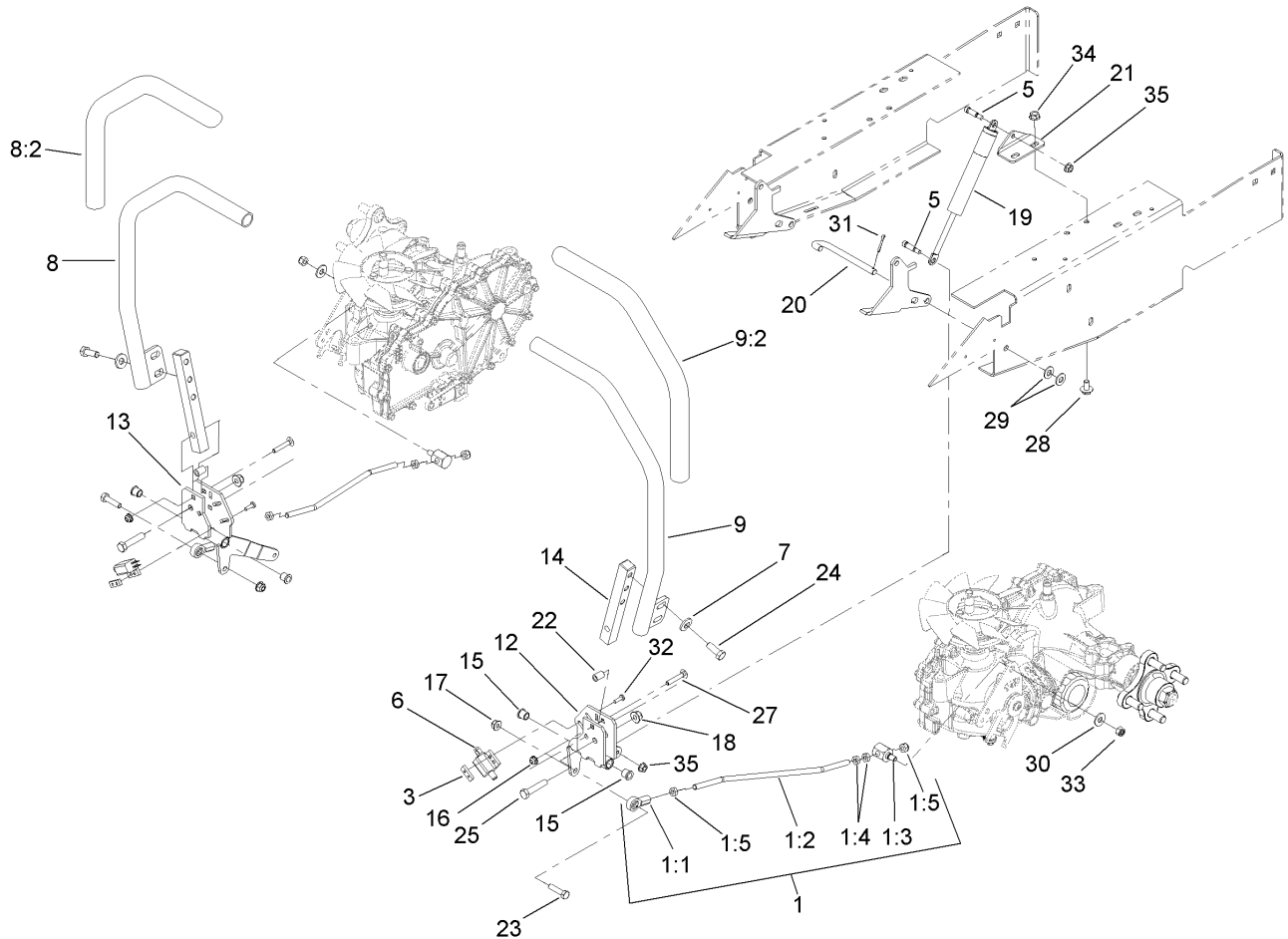
Ref	Part No.	Qty.	Description
1	110-9964	2	Wheel Bearing ASM
1:1	1-633585	2	Bearing-Cone, Taper
1:2	103-0063	2	Seal-Caster
1:3	103-3051	2	Spacer-Nut
1:4	103-3157	1	Axle-Caster
1:5	110-9965	1	Wheel And Tire ASM
2	103-2768	2	Guard-Seal
3	103-8618-01	2	Fork-Caster
4	3296-45	1	Nut-Lock, NI
5	325-20	1	Screw-HH
7	1-543511	2	Seal-Grease
8	1-543509	4	Bearing-Roller, Tapered
9	1-543508	4	Cup-Bearing
10	1-633508	6	Washer-Bellville
11	3296-51	2	Nut-Lock, NI
12	103-4882	2	Cap-Grease
13	103-9933	2	Nut-Shoulder
14	63-8410	5	Washer
15	103-9932	1	Link-Control, Deck
16	109-3544	1	Height Adjust ASM
16:2	109-2463	1	Decal-Height, Deck
17	1-303334	2	Washer-Spring
18	109-3323	1	Height Pin W/Lanyard ASM
19	283-6	1	Pin-Clevis

Ref	Part No.	Qty.	Description
20	1-806003	1	Pin-Hair
21	109-2416	1	Spring-Adjust, Height
22	109-2620	1	Pawl-Control, Height
24	323-6	2	Screw-HH
28	109-2410	1	Bar-Adjust, Height
29	103-9934	1	Bushing
30	104-8301	1	Nut-Flange, NI
31	3289-19	1	Screw-FH
32	3230-23	2	Screw-CARR
33	104-8300	2	Nut-Flange, NI
34	1-811010	2	Plug



Seat Assembly

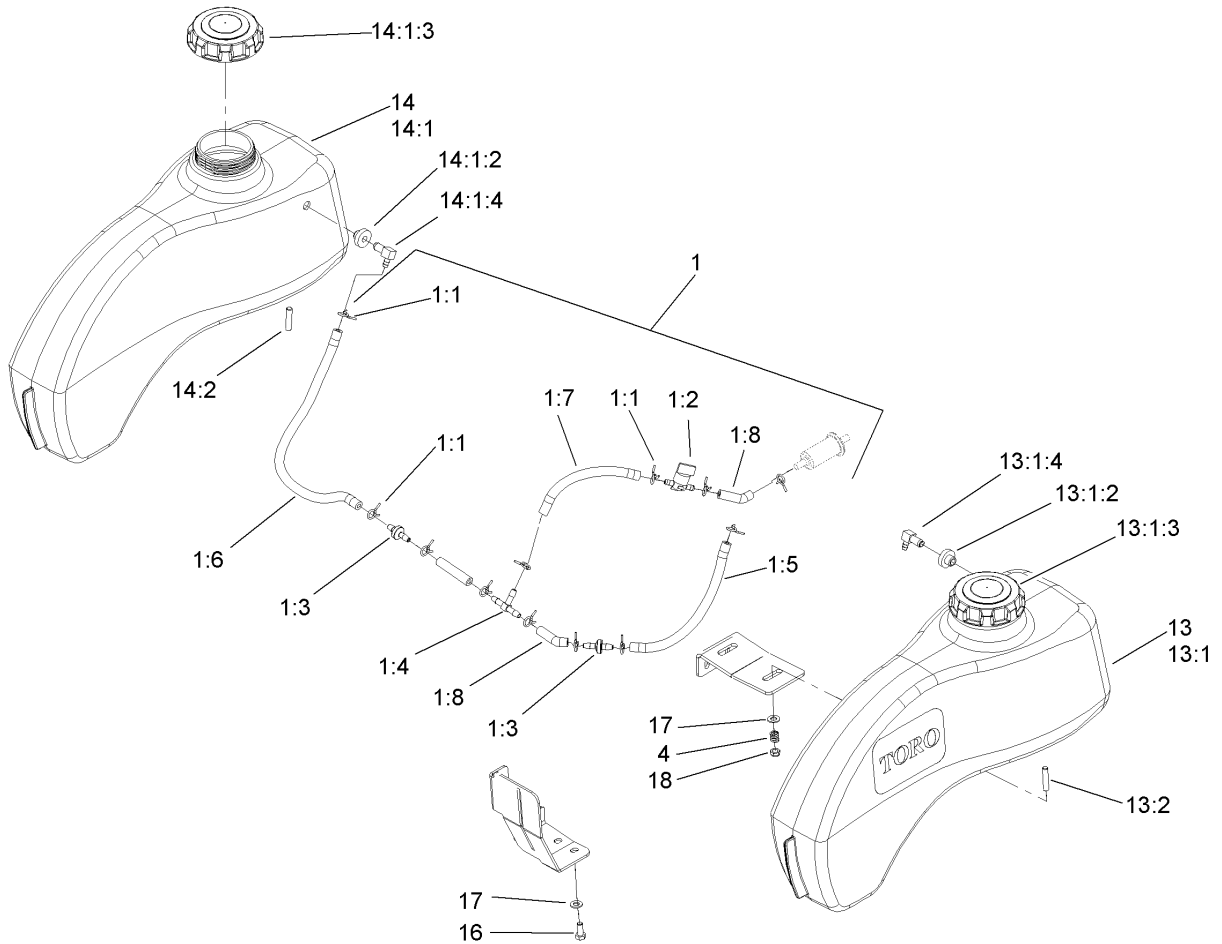
Ref	Part No.	Qty.	Description	Ref	Part No.	Qty.	Description
1	27-0410	2	Screw-Shoulder	20	2412-120	1	R-Clamp
2	63-8410	4	Washer	21	3296-2	1	Nut-Lock
3	82-2190	1	Switch-Bail	22	3290-321	1	Screw-HWH
4	94-2579	1	Decal	23	100-6186	1	Module-Delay, Seat
5	103-9376	2	Bumper-Seat	24	1-807513	1	Bolt-CARR
6	104-8300	4	Nut-Flange, NI	25	3296-2	1	Nut-Lock
7	112-3845	1	Seat (With Arm Rests)	26	109-2628	1	Cable-Stop, Seat
7:1	112-3846	1	Seat	27	104-7201	1	Nut-HF
7:2	108-6163	1	Armrest Kit				
7:2:1	110-6569	1	LH Armrest Kit				
7:2:2	110-6570	1	RH Armrest Kit				
7:2:3	108-6179	6	Screw-HSBH				
8	109-2427-03	1	Bar-Stop, Seat				
9	112-3836	1	Decal-Service				
10	109-2607-03	1	Bracket-Seat				
11	109-2608	4	Spacer				
12	109-3519	1	Bracket-Hold Down, Seat				
13	321-6	2	Screw-HH				
14	322-10	4	Screw-HH				
15	3220-1	1	Nut-Jam				
16	3256-63	1	Washer-Flat				
17	32144-4	2	Screw-HWH				
18	104-7048	1	Cap-Housing				
19	104-7050	1	Housing-Manual				



Motion Control Assembly

Ref	Part No.	Qty.	Description
1		2	Steering Rod ASM
1:1	1-543017	1	Balljoint-RH
1:2	103-9407	1	Rod-Steering, LH
1:3	103-9373	1	Trunnion
1:4	3220-2	3	Nut-Jam
1:5	3296-4	1	Nut-Lock
3	1-633181	2	Plate-Tapped
5	1-809057	4	Screw-HSH
6	65-7410	2	Switch-Pole, Single
7	98-5975	4	Washer-Belleville
8	112-3814	1	RH Control Lever ASM
8:2	108-5213	1	Grip-Foam
9	112-3815	1	LH Control Lever ASM
9:2	108-5213	1	Grip-Foam
12	103-9411	1	Control-Steering, RH
13	103-9413	1	Control-Steering, LH
14	103-9414	2	Mount-Post, Lever
15	103-9928	4	Bearing
16	104-7201	4	Nut-HF
17	104-8300	2	Nut-Flange, NI
18	104-8301	2	Nut-Flange, NI
19	109-2339	2	Damper-Control, Motion
20	109-2423	2	Shaft-Pivot, Control
21	109-2428	2	Bracket-Damper

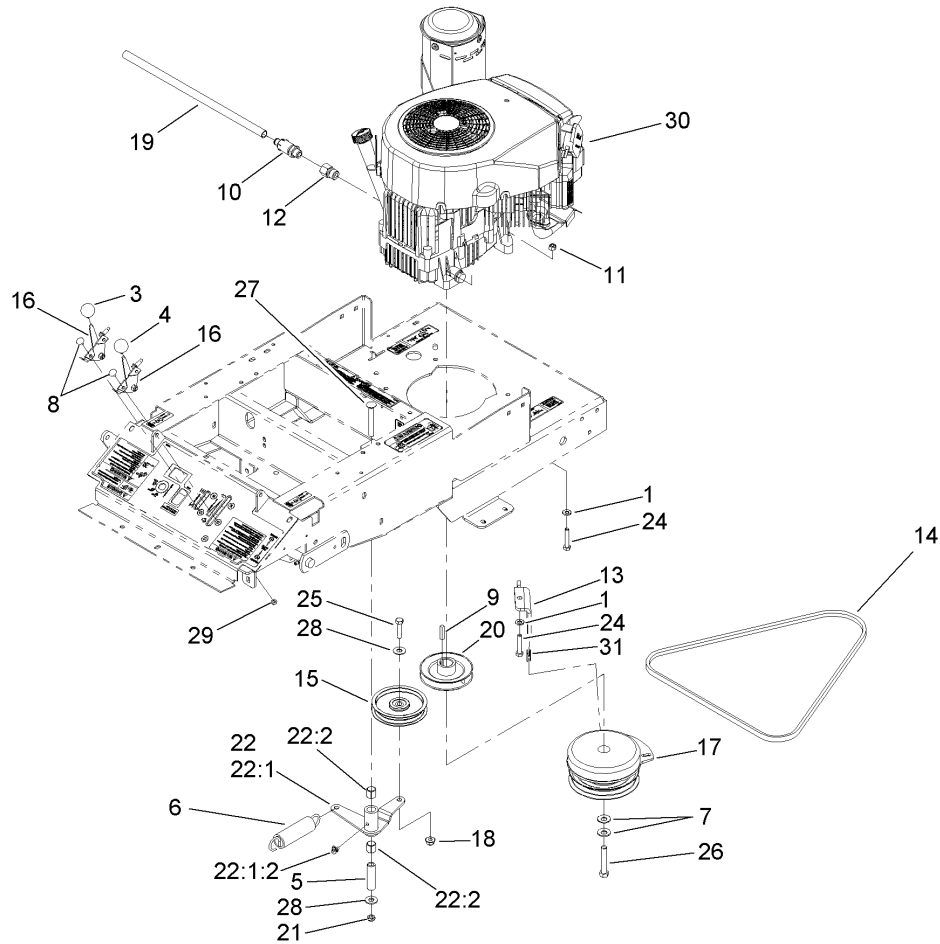
Ref	Part No.	Qty.	Description
22	1-633545	4	Spacer
23	322-6	2	Screw-HH
24	323-6	4	Screw-HH
25	323-9	2	Screw-HH
27	3229-4	4	Screw-CARR
28	3234-7	4	Screw-HHF
29	3256-24	2	Washer-Flat
30	3256-3	2	Washer-Flat
31	3272-10	2	Pin-Cotter
32	3290-500	4	Screw-PPH
33	3296-4	2	Nut-Lock
34	32128-20	4	Nut-HF
35	32128-33	4	Nut-HF



Fuel Tank Assembly

Ref	Part No.	Qty.	Description
1		1	Fuel Line ASM
1:1	1-303077	12	Clamp
1:2	1-603770	1	Valve-Fuel
1:3	99-5000	2	Valve-Check, Fuel
1:4	99-5005	1	Fitting-Tee, Barbed
1:5	107-7684	1	Hose-Fuel
1:6	108-4582	1	Hose-Fuel
1:7	109-0293	1	Hose-Fuel
1:8	109-0304	3	Hose-Fuel
4	1-633349	4	Spring-Tank, Fuel
13	112-3780	1	LH Tank ASM (W/Studs)
13:1		1	LH Tank ASM
13:1:2	104-7789	1	Bushing
13:1:3	109-0346	1	Cap-Fuel, Gas
13:1:4	109-2420	1	Fitting-Fuel (W/Line And Screen)
13:2	1-633023	2	Stud
14	112-3783	1	RH Tank ASM (W/Studs)
14:1		1	RH Tank ASM
14:1:2	104-7789	1	Bushing
14:1:3	109-0346	1	Cap-Fuel, Gas
14:1:4	109-2420	1	Fitting-Fuel (W/Line And Screen)
14:2	1-633023	2	Stud
16	322-3	2	Screw-HH
17	3256-23	6	Washer-Flat

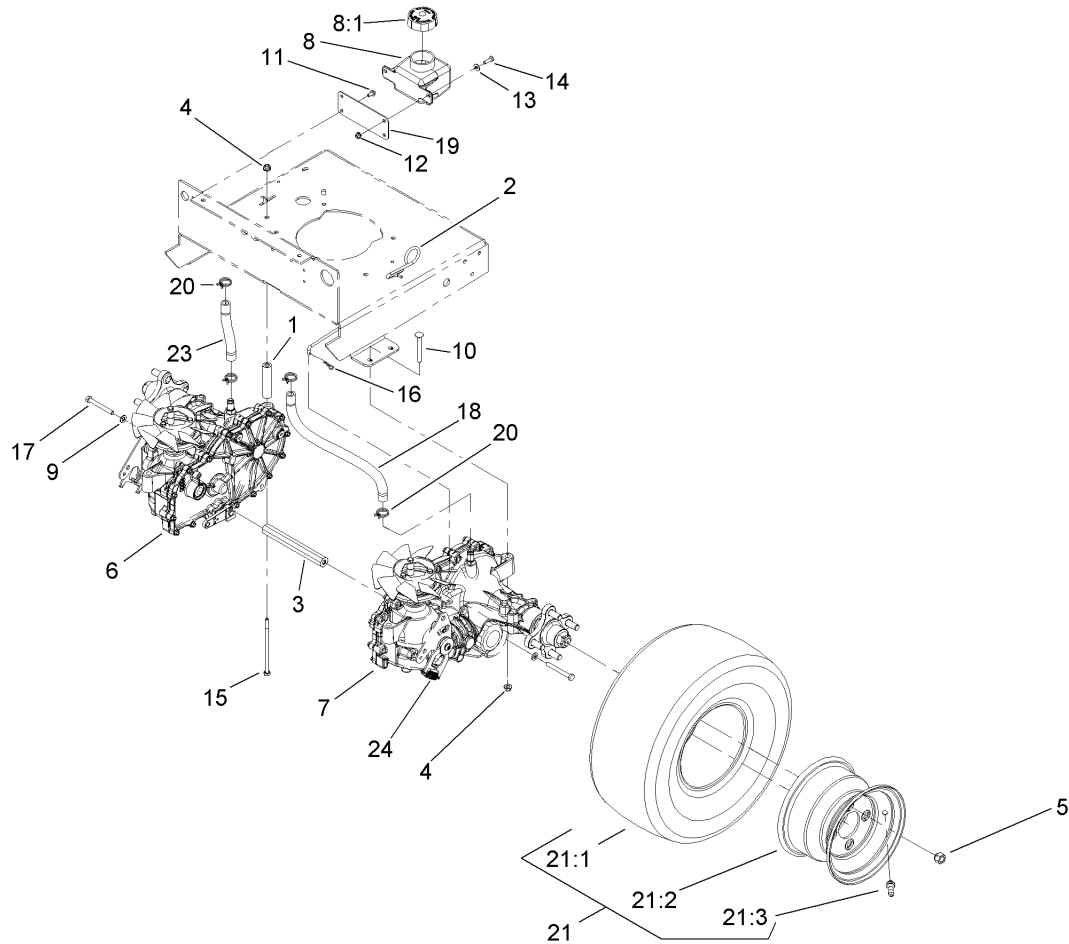
Ref	Part No.	Qty.	Description
18	3296-47	4	Nut-Lock, NI



Engine Mounting Assembly

Ref	Part No.	Qty.	Description
1	1-303334	4	Washer-Spring
3	1-513592	1	Knob-Ball
4	1-513593	1	Knob-Ball, Black
5	1-603384	1	Bushing-Pivot, Idler
6	108-4056	1	Spring-Extension
7	1-603610	2	Washer-Spring
8	1-807513	4	Bolt-CARR
9	13-2840	1	Key-Square
10	92-6877	1	Valve-Drain, Oil
11	3296-29	4	Nut-Lock, NI
12	103-1966	1	Adapter
13	103-9356-03	1	Rotation-Stop, Clutch
14	112-3799	1	Belt-V
15	103-9401	1	Idler
16	103-9946	2	Throttle Control ASM
17	103-9950	1	Clutch
18	104-8301	1	Nut-Flange, NI
19	106-7022	1	Tube-Drain, Oil
20	109-0393	1	Pulley-Engine
21	3296-59	1	Nut-Lock, NI
22	109-3119	1	Idler Hydro ASM
22:1		1	Arm-Idler
22:1:2	302-40	1	Fitting-Grease
22:2	1-513034	2	Sleeve-Bearing

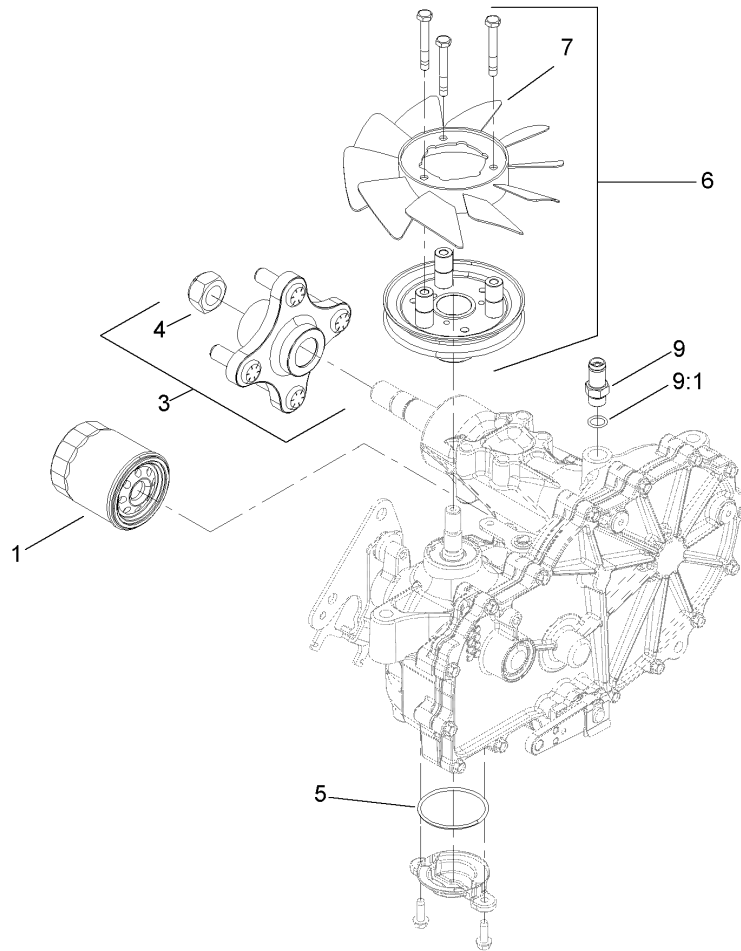
Ref	Part No.	Qty.	Description
24	322-9	4	Screw-HH
25	323-8	1	Screw-HH
26	3212-10	1	Screw-HH
27	3231-10	1	Screw-CARR
28	3256-4	2	Washer-Flat
29	3296-2	4	Nut-Lock
30		1	Engine-Kawasaki, FH580V-As40-R
31	109-3765	1	Bumper



Hydraulic Drive Assembly

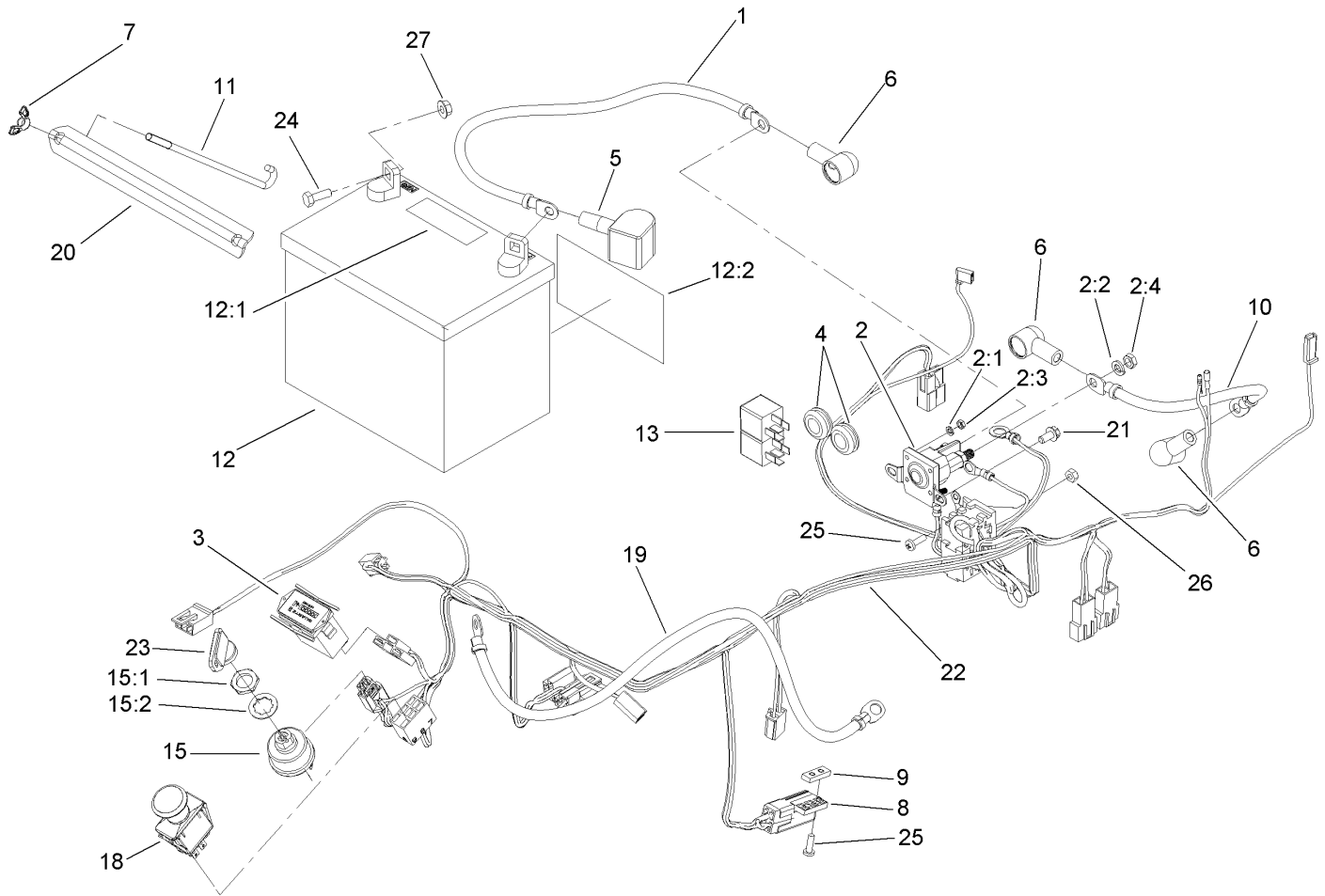
Ref	Part No.	Qty.	Description
1	103-9397	2	Spacer-Hydro
2	103-9380	2	Rod-Bypass, Hydro
3	103-9398	1	Spacer-Axle
4	104-8300	6	Nut-Flange, NI
5	242-50	8	Nut-Lug
6	109-2240	1	Transmission-RH
7	109-2241	1	Transmission-LH
8	109-2250	1	Vent-Tank, Hydro
8:1	109-3320	1	Cap-Reservoir, Hydraulic
9	98-5975	2	Washer-Belleville
10	3230-9	4	Screw-CARR
11	32144-4	2	Screw-HWH
12	104-7201	2	Nut-HF
13	3256-22	2	Washer-Flat
14	321-4	2	Screw-HH
15	322-49	2	Bolt-HH
16	1-806003	2	Pin-Hair
17	323-11	2	Screw-HH
18	109-3459	1	Hose-HYD
19	103-9350-03	1	Plate-Mount, Tank
20	109-3322	4	Clamp-Hose
21	112-3795	2	Wheel And Tire
21:1	112-3798	1	Tire
21:2	217-60	1	Rim

Ref	Part No.	Qty.	Description
21:3	232-27	1	Stem-Valve
●21:99	232-37	1	Tube
23	109-3319	1	Hose-HYD
24	109-2631	2	Spring-Return, Neutral



RH Transmission Assembly No. 109-2240

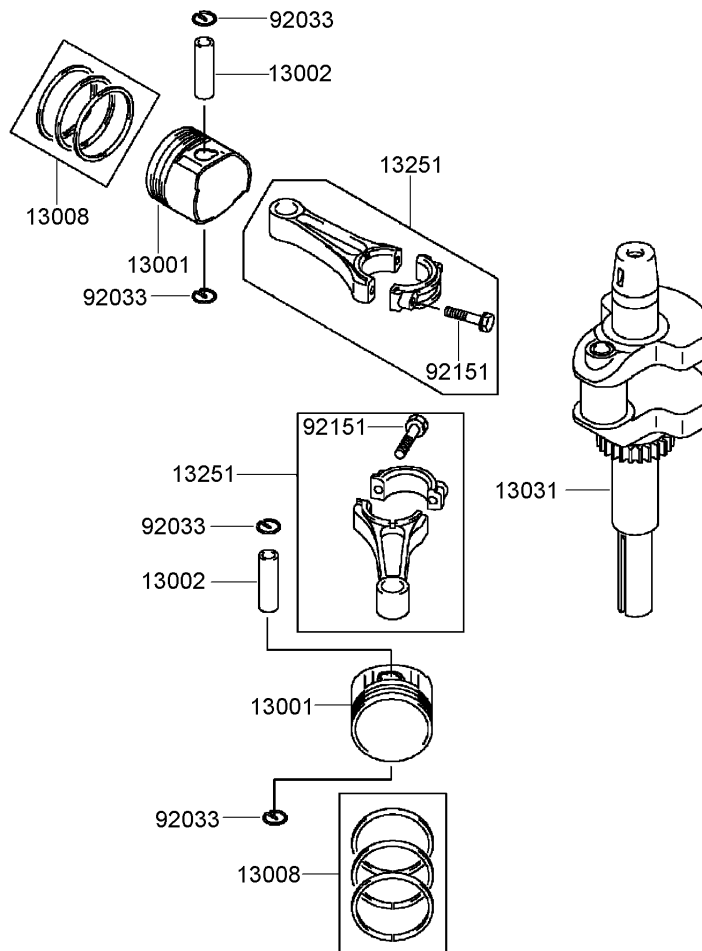
Ref	Part No.	Qty.	Description	
1	109-3321	1	Element-Oil Filter, HYD	
①2	109-3537	1	Complete Seal Kit	
3	109-3538	1	Hub-Kit	
4	109-3536	1	Nut-Hub	
5	109-3540	1	O-Ring-Seal, Charge Cover	
6	109-3541	1	Fan And Pulley Kit	
7	109-3542	1	Fan	
9	109-3278	1	Adapter-Straight	
9:1	1-603921	1	O-Ring	



Electrical Assembly

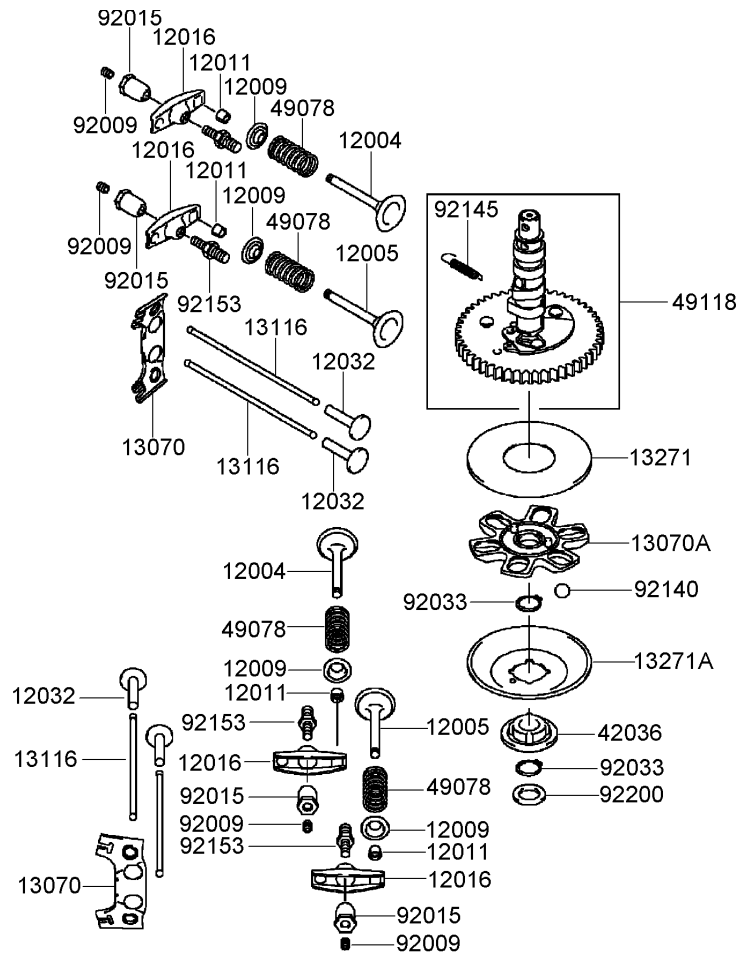
Ref	Part No.	Qty.	Description
1	1-513053	1	Cable-Battery, Positive
2	1-513075	1	Switch-Solenoid
2:1	3253-17	2	Washer-Lock
2:2	3253-4	2	Washer-Lock
2:3	3219-14	2	Nut-Hex
2:4	3220-2	2	Nut-Jam
3	1-513374	1	Meter-Hour
4	1-543296	2	Grommet
5	1-543391	1	Insulator-Battery
6	1-543393	3	Insulator-Solenoid
7	1-543792	2	Wingnut
8	1-633111	1	Switch
9	1-633181	1	Plate-Tapped
10	1-633306	1	Cable-Starter, Positive
11	1-633651	2	Bolt-Holddown
12	105-1692	1	Battery
12:1	104-4163	1	Decal-Battery
12:2	104-4164	1	Decal-Battery
13	1-643275	2	Relay
15	104-2541	1	Switch ASM
15:1	218-461	1	Nut-HH
15:2	3254-5	1	Washer-Tooth
18	103-5221	1	Switch-PTO
19	103-8355	1	Cable-Battery, Negative

Ref	Part No.	Qty.	Description
20	103-9944-03	1	Angle-Battery
21	32144-4	2	Screw-HWH
22	109-4112	1	Harness-Wire
23	63-8360	1	Key-Ignition
24	321-4	2	Screw-HH
25	3290-500	6	Screw-PPH
26	3296-2	4	Nut-Lock
27	32128-33	2	Nut-HF



Piston and Crankshaft Assembly Kawasaki FH580V-AS40-R

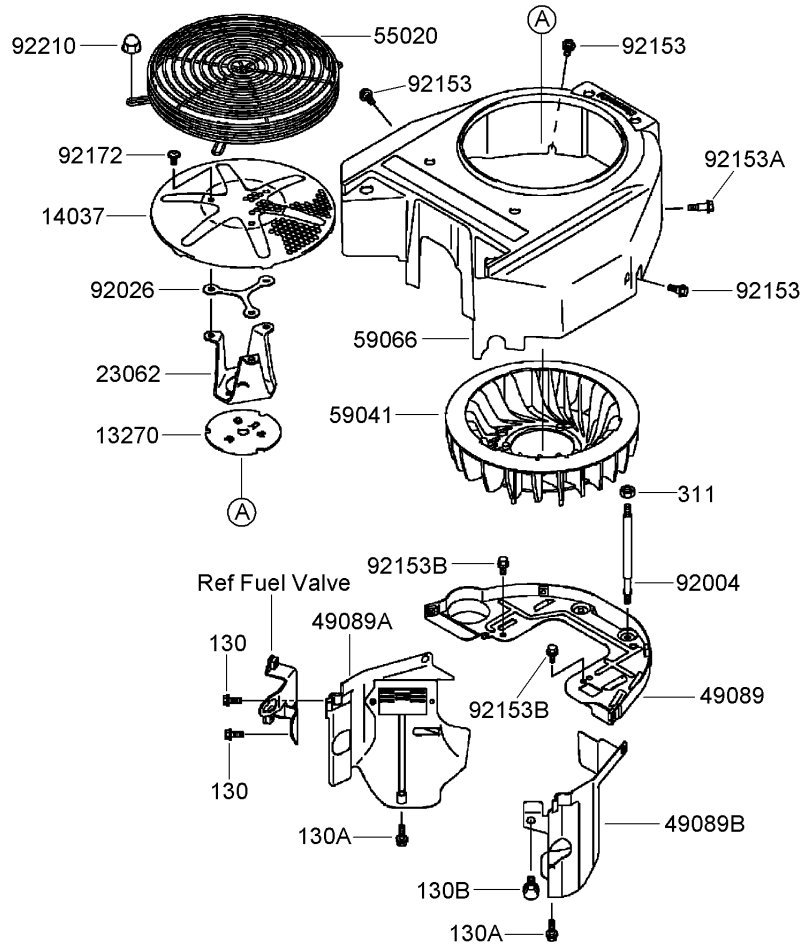
Ref	Part No.	Qty.	Description				
● 13001	13001-7010	2	Piston-Engine				
● 13002	13002-7001	2	Pin-Piston				
● 13008	13008-6060	2	Ring Set-Piston				
● 13031	13031-7036	1	Crankshaft				
● 13251	13251-7010	2	Connecting Rod ASM				
● 92033	92033-7002	4	Ring-Snap				
● 92151	92151-7017	4	Bolt (6X35)				



Valve and Camshaft Assembly Kawasaki FH580V-AS40-R

Ref	Part No.	Qty.	Description
①	12004	2	Valve-Intake
①	12005	2	Valve-Exhaust
④	12009	4	Retainer-Spring, Valve
⑧	12011	8	Collet
④	12016	4	Arm-Rocker
④	12032	4	Tappet
②	13070	2	Guide
①	13070A	1	Guide
④	13116	4	Rod-Push
①	13271	1	Plate
①	13271A	1	Plate-Governor
①	42036	1	Sleeve
④	49078	4	Spring-Valve, Engine
①	49118	1	Camshaft
④	92009	4	Screw
④	92015	4	Nut
②	92033	2	Ring-Snap
⑥	92140	6	Ball
①	92145	1	Spring
④	92153	4	Bolt
①	92200	1	Washer

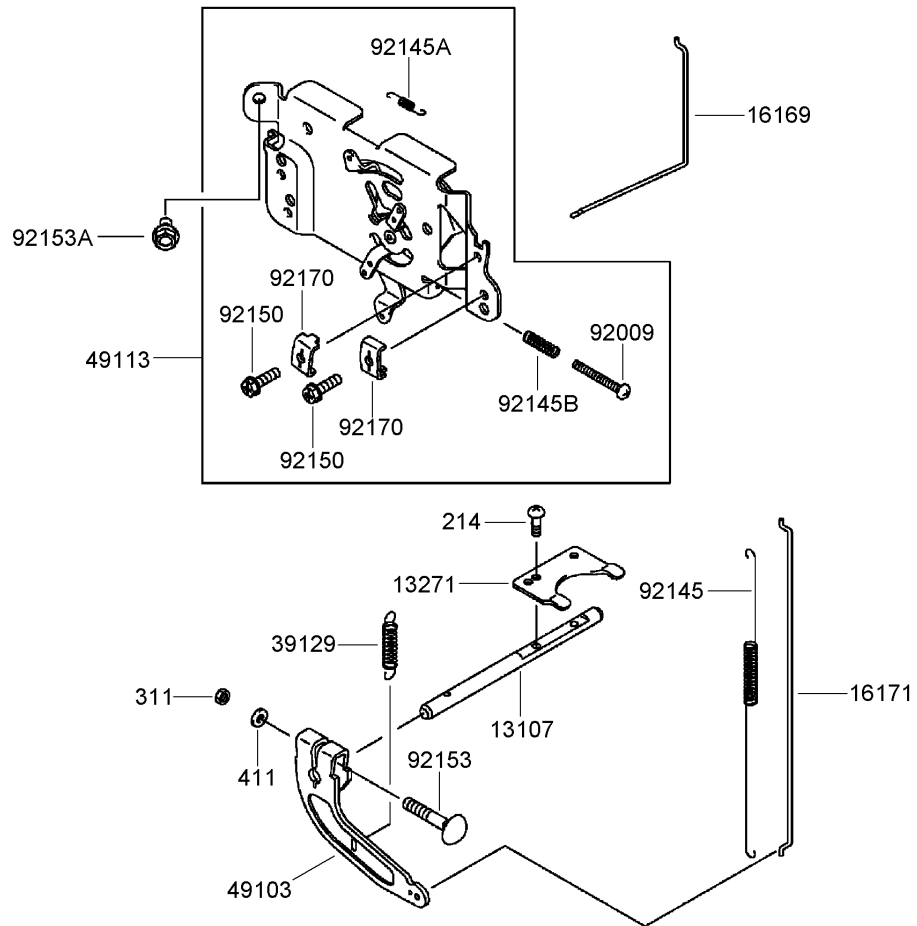
--	--	--	--



Cooling Equipment Assembly Kawasaki FH580V-AS40-R

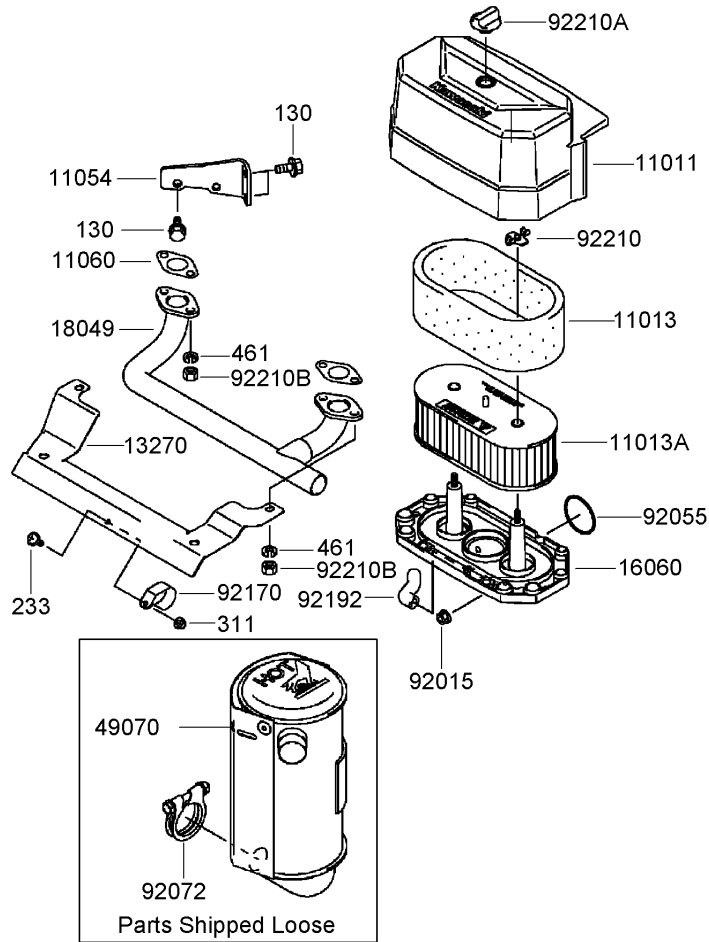
Ref	Part No.	Qty.	Description
● 13270	13270-7007	1	Plate
● 14037	14037-7020-9H	1	Screen
● 23062	23062-7010	1	Bracket
● 49089	49089-7032	1	Shroud-Engine
● 49089A	49089-7042	1	Shroud-Engine
● 49089B	49089-7043	1	Shroud-Engine
● 55020	55020-7004	1	Guard
● 59041	59041-7012	1	Fan
● 59066	59066-7037	1	Housing-Fan
● 92004	92004-7006	2	Stud
● 92026	92026-7007	1	Spacer
● 92153	92153-7007	3	Bolt
● 92153A	92153-7008	1	Bolt
● 92153B	92153-7043	2	Bolt (6X12)
● 92172	92172-7029	3	Screw-socket (6X12)
● 92210	92210-0003	4	Nut
● 130	130B0616	2	Bolt-Flanged (6X16)
● 130A	130B0625	2	Bolt-Flanged (6X25)
● 130B	130B0816	1	Bolt-Flanged (8X16)
● 311	311B0600	2	Nut-Hex (6Mm)

--	--	--	--



Control Equipment Assembly Kawasaki FH580V-AS40-R

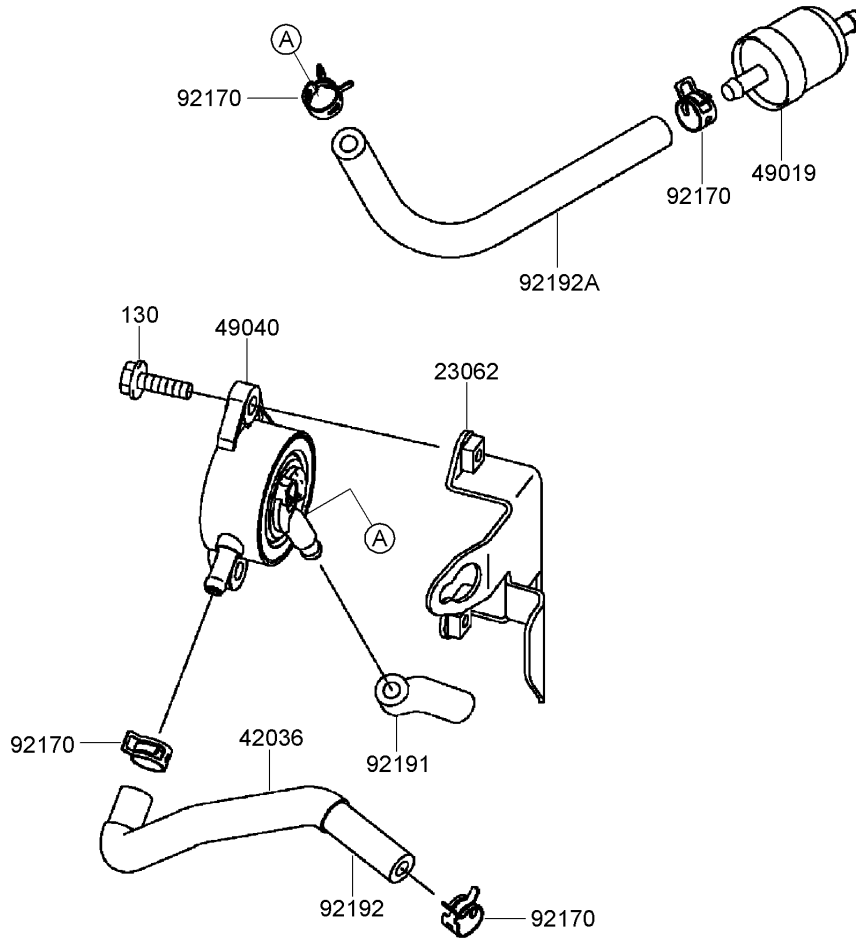
Ref	Part No.	Qty.	Description
●13107	13107-7010	1	Shaft
●13271	13271-7032	1	Plate
●16169	16169-7010	1	Link-Choke
●16171	16171-7001	1	Link
●39129	39129-7003	1	Spring-Governor
●49103	49103-7004	1	Arm-Governor
●49113	49113-7011	1	Panel-Control
●92009	92009-7007	1	Screw (4X35)
●92145	92145-7003	1	Spring
●92145A	92145-7004	1	Spring
●92145B	92145-7005	1	Spring
●92150	92150-2182	2	Bolt (5X18)
●92153	92153-7033	1	Bolt (6X35)
●92153A	92153-7043	2	Bolt (6X12)
●92170	92170-7001	2	Clamp
●214	214B0408	2	Screw-Pan (4X8)
●311	311B0600	1	Nut-Hex (6Mm)
●411	411B0600	1	Washer-Plain (6Mm)



Air Filter and Muffler Assembly Kawasaki FH580V-AS40-R

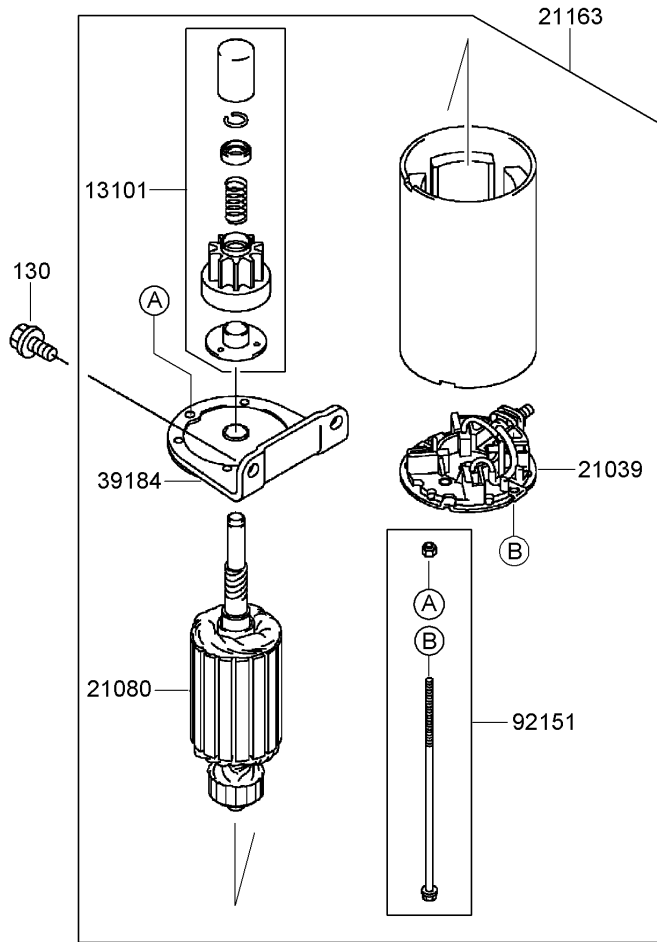
Ref	Part No.	Qty.	Description
③11011	11011-7046	1	Case-Air Filter
③11013	11013-7025	1	Element-Filter, Air
③11013A	11013-7031	1	Element-Filter, Air
③11054	11054-7002-9H	1	Bracket
③11060	11060-7021	2	Gasket-Muffler
③13270	13270-7008	1	Plate
③16060	16060-7016	1	Pipe-Intake
③18049	18049-7001	1	Pipe-Exhaust
③49070	49070-7021	1	Muffler
③92015	92015-1193	2	Nut
③92055	92055-7015	1	O-Ring
③92072	92072-7012	1	Band
③92170	92170-7002	1	Clamp
③92192	92192-7010	1	Tube
③92210	92210-7004	2	Nut
③92210A	92210-7019	1	Nut
③92210B	92210-7027	4	Nut (M8)
③130	130B0816	3	Bolt-Flanged (8X16)
③233	233B0416	1	Screw (4X16)
③311	311B0400	1	Nut-Hex (4Mm)
③461	461F0800	4	Washer-Spring (8Mm)

--	--	--	--



Fuel Tank and Valve Assembly Kawasaki FH580V-AS40-R

Ref	Part No.	Qty.	Description				
③23062	23062-7004-9H	1	Bracket				
③42036	42036-7012	1	Sleeve				
③49019	49019-7001	1	Filter-Fuel				
③49040	49040-7001	1	Pump-Fuel				
③92170	92170-2088	4	Clamp				
③92191	92191-7002	1	Tube				
③92192	92192-7035	1	Tube (6.35X12.7X170)				
③92192A	92192-7037	1	Tube (6.35X12.7X160)				
③130	130B0620	2	Bolt-Flanged (6X20)				



Starter Assembly Kawasaki FH580V-AS40-R

Ref	Part No.	Qty.	Description
● 13101	13101-7003	1	Gear ASM
● 21039	21039-7004	1	Brush
● 21080	21080-7001	1	Armature
● 21163	21163-7010	1	Starter-Electric
● 39184	39184-7004	1	Bracket ASM
● 92151	92151-7013	1	Bolt
● 130	130B0816	2	Bolt-Flanged (8X16)

Attachments and Accessories

For 74409 - Z300 Z Master, With 40in 7-Gauge Side Discharge Mower

Product Name	Model/Part
Blade-Rotary, 14 Inch (Mid Flow)	108-4110-03
Blade-Rotary, 14 Inch (Low Flow)	108-4111-03
Blade-Rotary, 14 Inch (Atomic)	108-4112-03

Attachments and Accessories

For 74409CP - Z300 Z Master, With 40in 7-Gauge Side Discharge Mower

Product Name	Model/Part
Blade-Rotary, 14 Inch (Mid Flow)	108-4110-03
Blade-Rotary, 14 Inch (Low Flow)	108-4111-03
Blade-Rotary, 14 Inch (Atomic)	108-4112-03

NOTES

NOTES

