



Replacement Pivot Pin Kit Greensmaster 3000 Series Traction Unit

Part No. 115-3259

Part No. 115-3260

Form No. 3359-459 Rev. A

Installation Instructions

1. Position the machine on a level surface, lower the cutting units, stop the engine, engage the parking brake.
2. Remove the desired pivot pin(s). Make sure to account for all the components shown in the following figures. Position the new pivot pin(s) and grease fittings as shown in the figures. Discard pivot pins.

Right Arm

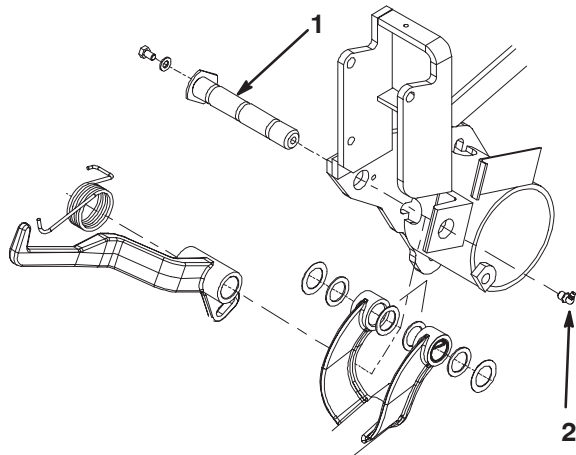


Figure 1

1. Pivot pin
2. Grease fitting (straight)

Left Arm

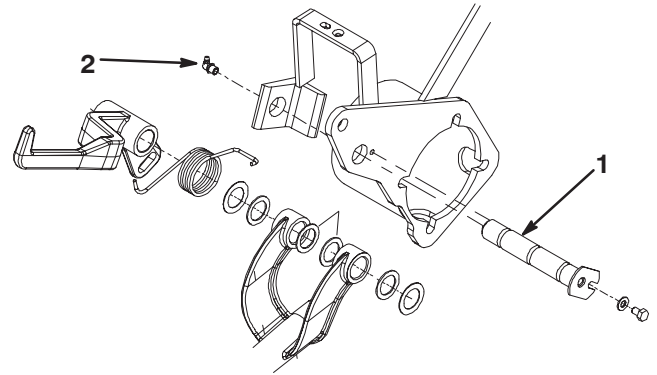


Figure 3

1. Pivot pin
2. Grease fitting (90 degree)

3. Reassemble with new pivot pin(s) and new grease fitting(s).
4. Grease the pivot pin(s) with No. 2 lithium based grease.

Center Arm

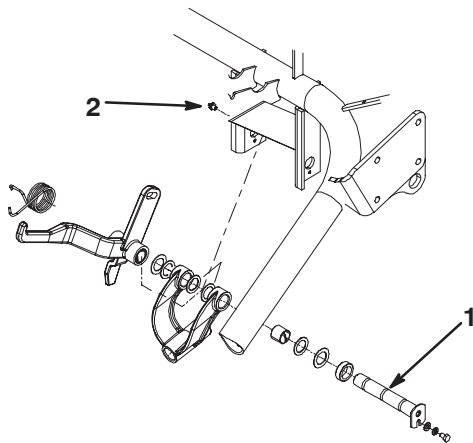


Figure 2

1. Pivot pin
2. Grease fitting (straight)