



53cm Heavy-Duty Recycler[®] Rear Bagging Lawn Mower

Model No. 22177TE - 270000001 and up.

Parts Catalog

Ordering Replacement Parts

To order replacement parts, please supply the part number, the quantity, and the description of each part desired.

Understanding Reference Numbers

Each identified part in an illustration has a reference number. The reference number for a part also appears in the parts list, along with other information about the part.

This catalog uses two special reference number formats, one to indicate parts in a service assembly and another to indicate the quantity of a given part in an illustration.

Service Assembly Reference Numbers

Parts in service assemblies have reference numbers in the form a:b. The a represents the reference number of the entire service assembly and the b represents a sequential number unique to each part within the service assembly.

For example, a wheel assembly might be identified by reference number 6, the tire by 6:1, the valve by 6:2, and the wheel by 6:3. When you order the assembly identified by reference number 6, you receive all parts identified by reference numbers 6:1, 6:2, and 6:3. However, you may also order any part individually. Reference numbers of this type appear in illustrations and in part lists.

Reference Numbers Indicating Quantity

In an illustration, if a reference number indicates more than one part, the reference number has the form nX y. The n represents the quantity of the part, the X is the multiplication symbol, and the y represents the reference number.

For example, in an illustration, the reference number 2X 37 means that two of the parts identified by reference number 37 are indicated.

Contents

Description	Page	Description	Page
Housing, Chute and Wheel Assembly 3	Grass Bag Assembly No. 106-0975 13
Housing Assembly No. 98-7146 4	Cylinder and Crankcase Assembly 14
Front Wheel and Tire Assembly No. 100-2870 5	Piston and Crankshaft Assembly 15
Gear Case Assembly No. 74-1861 6	Valve and Camshaft Assembly 16
Engine and Blade Assembly 7	Lubrication Equipment Assembly 17
Fuel Tank Assembly 8	Cooling Equipment Assembly 18
Handle Assembly 9	Electrical Equipment Assembly 19
Control Panel Assembly 10	Control Equipment Assembly 20
Rear Drive and Wheel Assembly 11	Carburetor Assembly 21
Rear Wheel Assembly No. 100-2860 12	Air Filter and Muffler Assembly 22
		Starter Assembly 23

Part Description Abbreviations

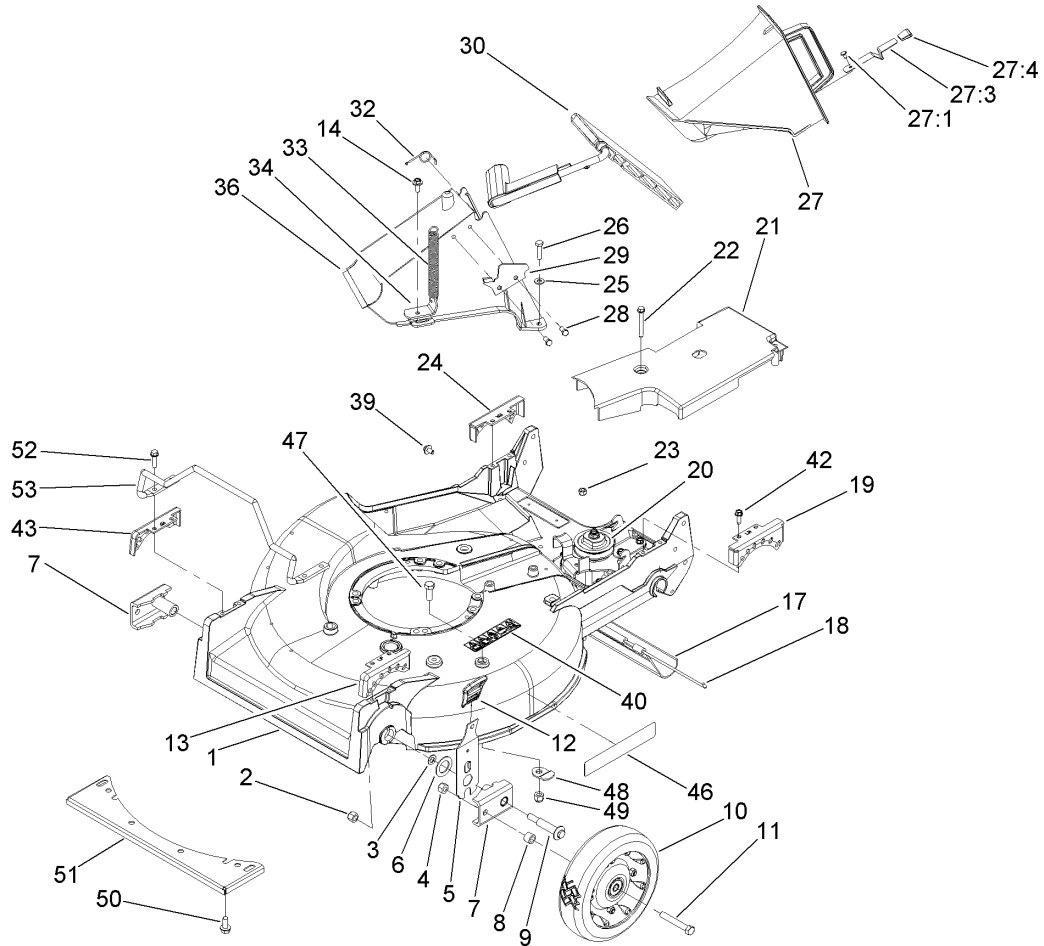
Part descriptions in this catalog may include the following abbreviations.

AR. as required	HYD. hydraulic
ASM. assembly	LH. left hand
BBC. blade brake clutch	NI. nylon insert
CARR. carriage	NPTF. national pipe thread fine
DEG. degrees	PFH. phillips flat head
EXT. external	PPH. phillips pan head
FH. flat head	PPHTF. phillips pan head thread forming
GA. gauge	PRH. phillips round head
HD. heavy-duty	PTH. phillips truss head
HF. hex flange	PTO. power-take-off
HH. hex head	RH. right hand
HHF. hex head flange	ROPS. roll-over protection system
HHFTF. hex head flange thread forming	SFH. slotted fillister head
HJ. hex jam	SHH. slotted hex head
HLH. hex lag head	SHWH. slotted hex washer head
HOC. height-of-cut	SPH. slotted pan head
HSBH. hex socket button head	SQH. square head
HSFH. hex socket flat head	SRH. slotted round head
HSH. hex socket head	STD. standard
HWH. hex washer head	TAP. self tapping
HWHTF. hex washer head thread forming	TTH. torx truss head

Footnotes

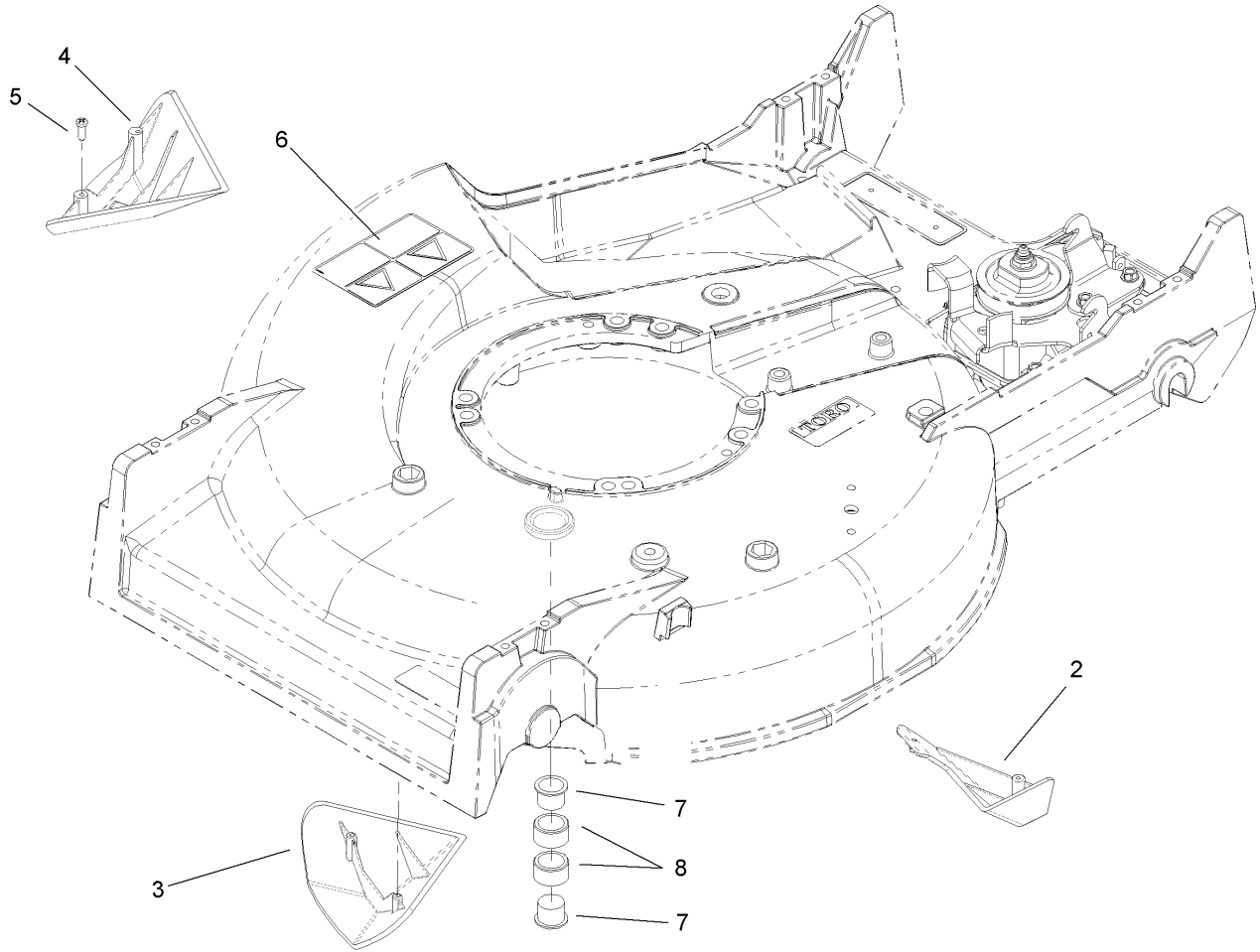
❶ Not illustrated

❷ Not serviced separately



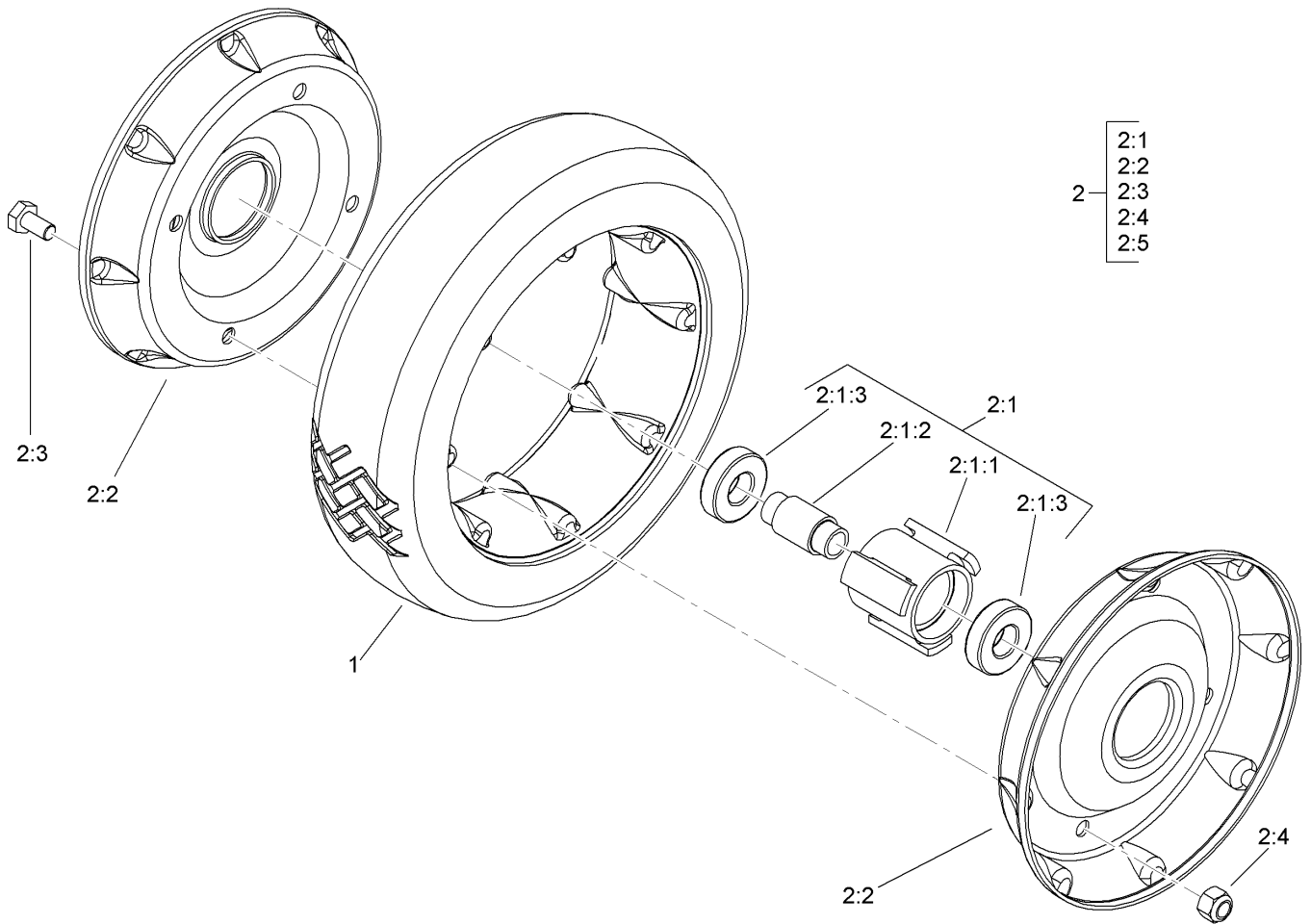
Housing, Chute and Wheel Assembly

Ref	Part No.	Qty.	Description	Ref	Part No.	Qty.	Description
1	98-7146	1	Housing	27	77-0502	1	Discharge Plug ASM
2	3296-6	2	Nut-Lock	27:1	3295-35	1	Rivet-Head, Flat
3	40-1940	2	Washer	27:3	76-4640	1	Latch-Plug, Discharge
4	32152-2	2	Nut-Lock, Cone	27:4	76-4650	1	Grip-Latch
5	110-0537	2	Spring Arm ASM	28	46-8090	2	Screw-Plastite
6	257-3	2	Washer-Thrust	29	93-3154	1	Latch-Plate
7	61-8300	2	Arm-Pivot, Front	30	93-7351	1	Discharge Door ASM
8	52-2480	2	Spacer-Wheel	32	80-3770	1	Retainer-Door
9	27-6232	2	Bolt-Wheel	33	76-4660	1	Spring-Door
10	100-2870	1	Wheel And Tire ASM	34	71-9350	1	Bracket-Spring
11	323-12	2	Screw-HH	36	82-9151	1	Tunnel-Discharge
12	110-0549	2	Knob-HOC	39	46-6810	1	Screw And Washer ASM
13	49-8760	1	Quadrant-Front, LH	40	110-4978	2	Decal-Danger
14	46-6811	1	Screw-HWH	42	49-2040	4	Screw-HWHTF
17	112-9989	1	Shield-Trailing	43	49-8770	1	Quadrant-Front, RH
18	33-3208	1	Rod-Shield	46	106-0689	1	Decal
19	49-8740	1	Quadrant-Rear, LH	47	323-6	3	Screw-HH
20	74-1861	1	Gear Case ASM	48	84-8930	3	Shield-Retainer
21	74-1770	1	Cover-Belt	49	3296-39	3	Nut-Lock, NI
22	37-7260	2	Screw-HHFTF	50	32144-70	4	Screw-HWHTF
23	3296-42	2	Nut-Lock, NI	51	46-5400-03	1	Shield
24	49-8750	1	Quadrant-Rear, RH	52	32144-86	4	Screw-HWHTF
25	3256-22	2	Washer-Flat	53	99-6722	1	Guard-Engine
26	321-8	2	Screw-HH				



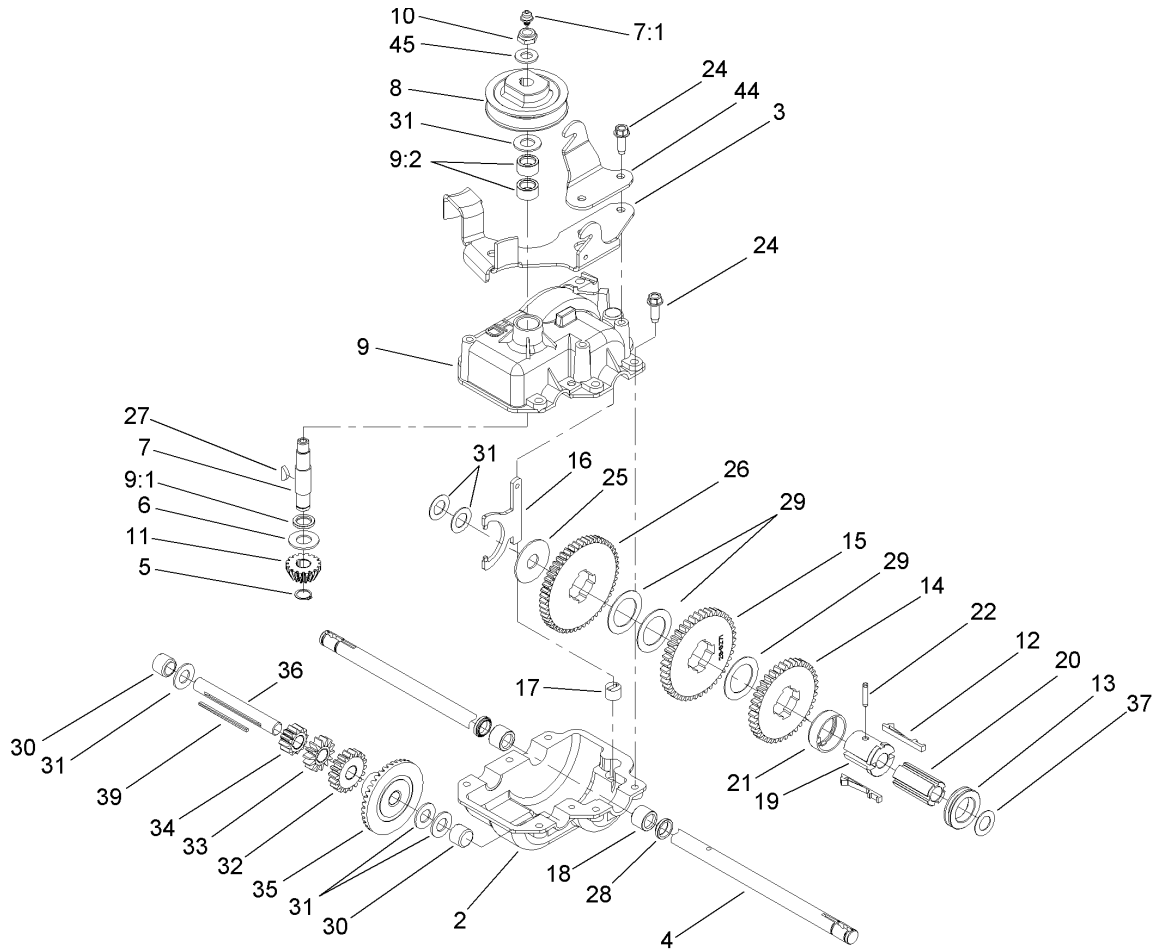
Housing Assembly No. 98-7146

Ref	Part No.	Qty.	Description
2	92-1750	1	Kicker-Rear
3	92-1720	1	Kicker-Front
4	92-1730	1	Kicker-RH
5	32144-111	6	Screw-PPH
6	93-6654	1	Decal-Danger
7	2410-72	2	Caplug
8	68-9780	2	Bearing



Front Wheel and Tire Assembly No. 100-2870

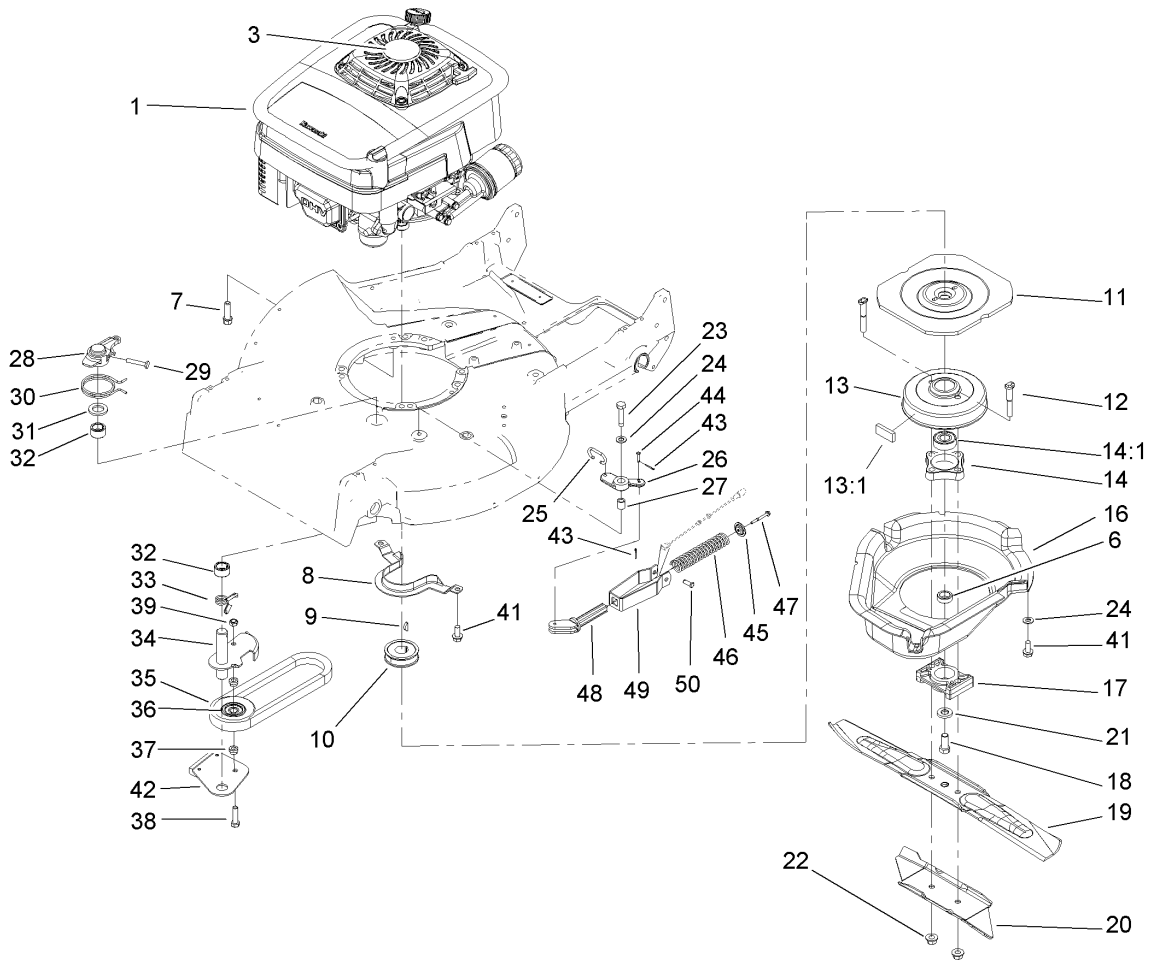
Ref	Part No.	Qty.	Description
1	53-7740	1	Tire
2		1	Wheel ASM
2:1		1	Hub And Bearing ASM
2:1:1	52-2410	1	Hub-Bearing
2:1:2	52-2440	1	Spacer-Bearing
2:1:3	52-2450	2	Bearing-Wheel
2:2	53-7780-06	2	Plate-Wheel, Half
2:3	321-2	4	Screw-HH
2:4	3296-42	4	Nut-Lock, NI



Gear Case Assembly No. 74-1861

Ref	Part No.	Qty.	Description
2	74-1920	1	Case-Gear, Lower
3	49-8461-03	1	Bracket-Guide, Belt
4	74-1890	1	Shaft-Output
5	32151-57	1	Ring-Retaining
6	47-2910	1	Washer-Thrust
7	13-5149	1	Input Shaft ASM
7:1	302-63	1	Zerk
8	39-6740	1	Pulley
9	13-9739	1	Upper Gearcase ASM
9:1	47-7260	1	Seal
9:2	47-7270	2	Bearing
10	3296-5	1	Nut-Lock
11	39-6660	1	Pinion-Bevel
12	29-9330	2	Key-Shift
13	29-9340	1	Collar-Shift
14	42-4740	1	Gear-38T
15	29-9271	1	Gear-42T
16	60-8870	1	Yoke-Shift
17	29-9570	1	Bushing-Yoke
18	47-6730	2	Seal-Oil
19	55-8010	1	Sleeve-Gear
20	39-6720	1	Sleeve
21	55-8020	1	Retainer-Key
22	3285-19	1	Pin-Groove

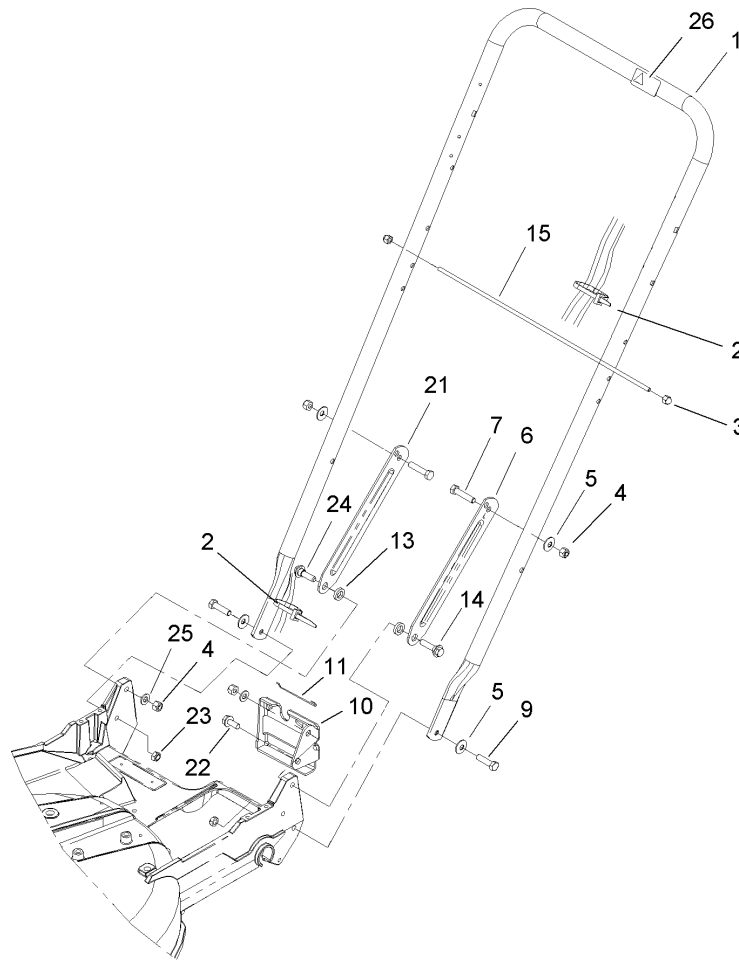
Ref	Part No.	Qty.	Description
24	49-2040	6	Screw-HWHTF
25	29-9690	1	Washer
26	46-3560	1	Gear
27	3257-1	2	Key-Woodruff
28	48-2060	2	Bearing-Roller
29	36-4770	3	Washer
30	252-103	2	Bearing-Closed
31	36-4792	4	Washer-Thrust
32	39-6650	1	Gear-18T
33	46-3550	1	Gear-14T
34	46-3540	1	Gear-12T
35	74-1760	1	Gear-Bevel
36	53-7950	1	Shaft-Intermediate
37	36-4780	3	Washer-Plain
39	39-7842	1	Key
44	74-1750-03	1	Bracket-Engage, Traction
45	3256-45	1	Washer-Flat



Engine and Blade Assembly

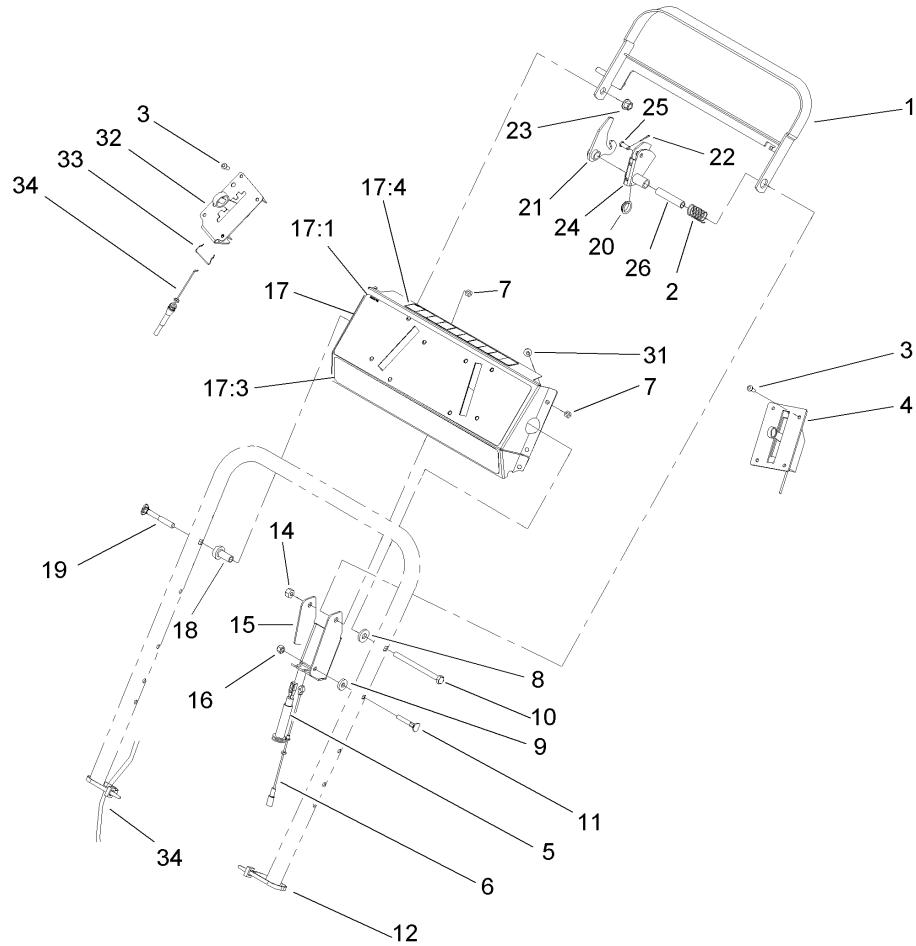
Ref	Part No.	Qty.	Description
1	106-0845	1	Engine ASM
3	112-9967	1	Decal
6	107-4058	1	Spacer-Shaft, Output
7	95-1727	4	Screw-Taptite
8	66-0570-03	1	Bracket-Guide, Belt
9	3257-17	1	Key-Woodruff
10	56-6180	1	Pulley-Driver
11	56-6160-03	1	Flywheel-BBC
12	42-3190	2	Bolt-Blade
13	94-9431	1	Brake Drum ASM
13:1	52-3480	2	Dampener-Vibration
14	42-6890	1	Hub ASM
14:1	100-1048	2	Bearing-Ball
16	46-5693	1	Shield
17	107-4275	1	Spacer-Blade
18	3212-4	1	Screw-HH
19	91-2256-03	1	Blade-21 Inch
20	91-2255-03	1	Stiffener-Blade
21	1-603610	2	Washer-Spring
22	54-9190	2	Nut-Lock
23	32104-107	1	Screw-HH
24	3256-23	2	Washer-Flat
25	49-2810	1	Link-Control
26	49-7960	1	Bellcrank

Ref	Part No.	Qty.	Description
27	49-7950	1	Sleeve-Bellcrank
28	49-2820	1	Lever
29	32104-96	1	Screw-HH
30	49-7970	1	Spring-Torsion
31	70-1160	1	Washer
32	68-9780	2	Bearing
33	85-6880	1	Spring-Torsion
34	84-9130	1	Arm-Idler
35	42-0884	1	V-Belt
36	46-5650	1	Pulley-Idler
37	46-5631	2	Spacer-Pulley, Idler
38	322-6	1	Screw-HH
39	3296-47	1	Nut-Lock, NI
41	32144-70	3	Screw-HWHTF
42	84-9180	1	Brake Plate ASM
43	3272-1	2	Pin-Cotter
44	84-9050	1	Pin-Spring
45	65-5280	1	Retainer-Spring
46	84-9100	1	Spring
47	46-7040	1	Screw-HWHTF
48	106-0842	1	Guide-Spring
49	107-4087-03	1	Bracket-Spring
50	84-9040	1	Pin-Cable



Handle Assembly

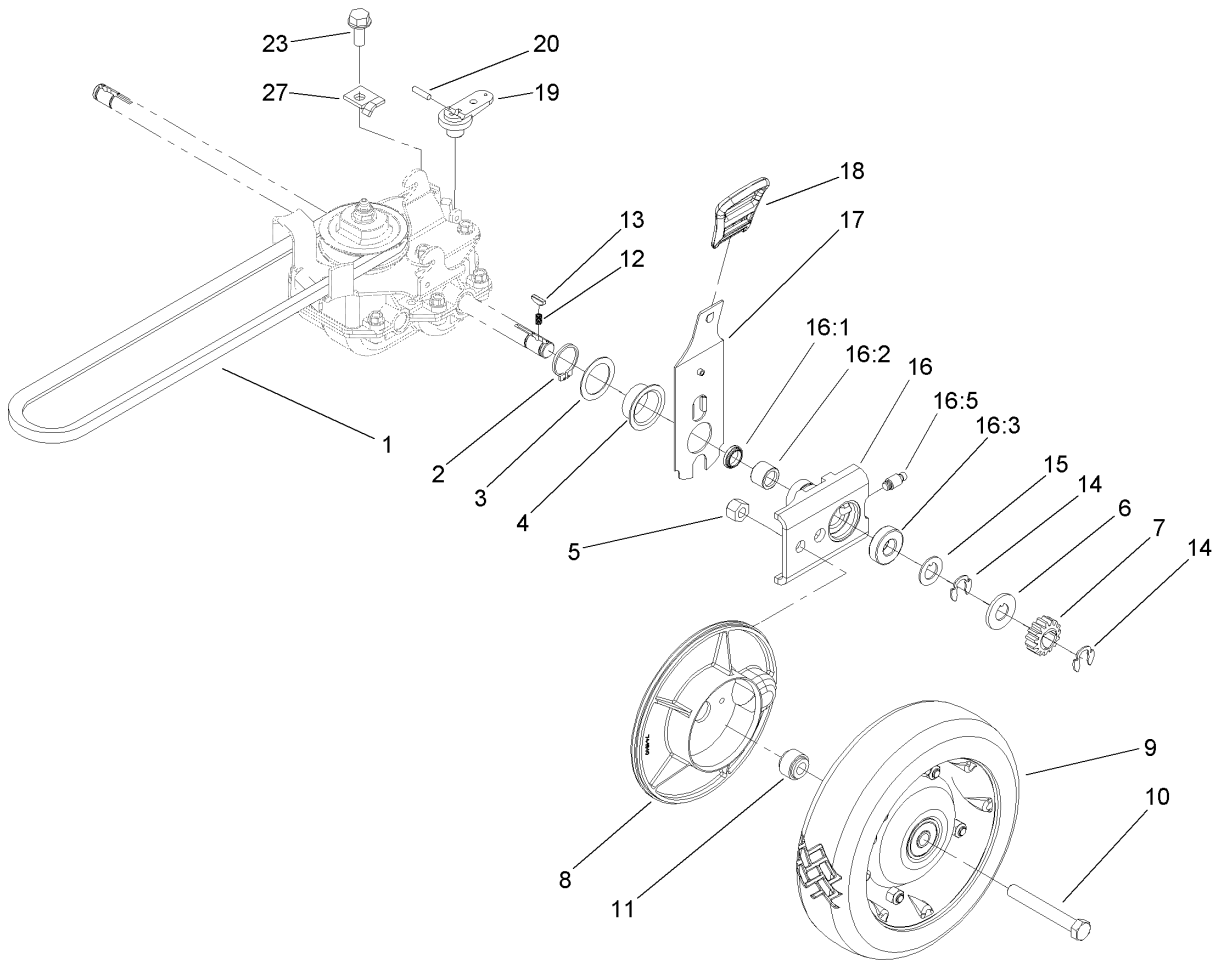
Ref	Part No.	Qty.	Description
1	98-2385-03	1	Handle
2	3290-378	2	Tie-Cable
3	32111-7	2	Nut-Cap
4	3296-29	4	Nut-Lock, NI
5	3290-456	4	Washer-Belleville
6	100-3298-03	1	Latch-Handle, LH
7	322-7	2	Screw-HH
9	322-6	2	Screw-HH
10	74-1741	1	Bracket-Adjustment, Traction
11	46-7030	1	Retainer-Cable
13	3-3287	2	Spacer-Latch, Handle
14	27-7210	1	Screw-Shoulder
15	48-2810	1	Rod-Support, Bag
21	100-3297-03	1	Latch-Handle, RH
22	32144-70	1	Screw-HWHTF
23	3296-47	2	Nut-Lock, NI
24	27-7211	1	Screw-Shoulder
25	3256-23	2	Washer-Flat
26	98-4387	1	Decal-Protection, Ear



Control Panel Assembly

Ref	Part No.	Qty.	Description
1	84-8940-03	1	Bar-Control
2	85-6750	1	Spring-Control
3	3250-12	8	Screw-PPH
4	106-0857	1	Control-Throttle
5	84-9120	1	Cable-Traction
6	84-9110	1	Cable-Clutch
7	3296-2	8	Nut-Lock
8	71-9310	1	Spacer
9	71-9320	1	Spacer
10	322-19	1	Screw-HH
11	46-6430	1	Screw-Handle
12	3290-378	2	Tie-Cable
14	3296-29	1	Nut-Lock, NI
15	92-1778-03	1	Bracket-Control
16	3296-42	1	Nut-Lock, NI
17	99-8137	1	Panel ASM
17:1	98-2006	1	Decal-Panel, Control
17:3	106-0771	1	Decal-Panel
17:4	93-6655	1	Decal-Panel, Rear
18	49-1631	1	Spacer-Support
19	17-9427	1	Screw
20	86-9320	1	Bushing-Flange
21	84-9000	1	Lever-Traction
22	3272-1	1	Pin-Cotter

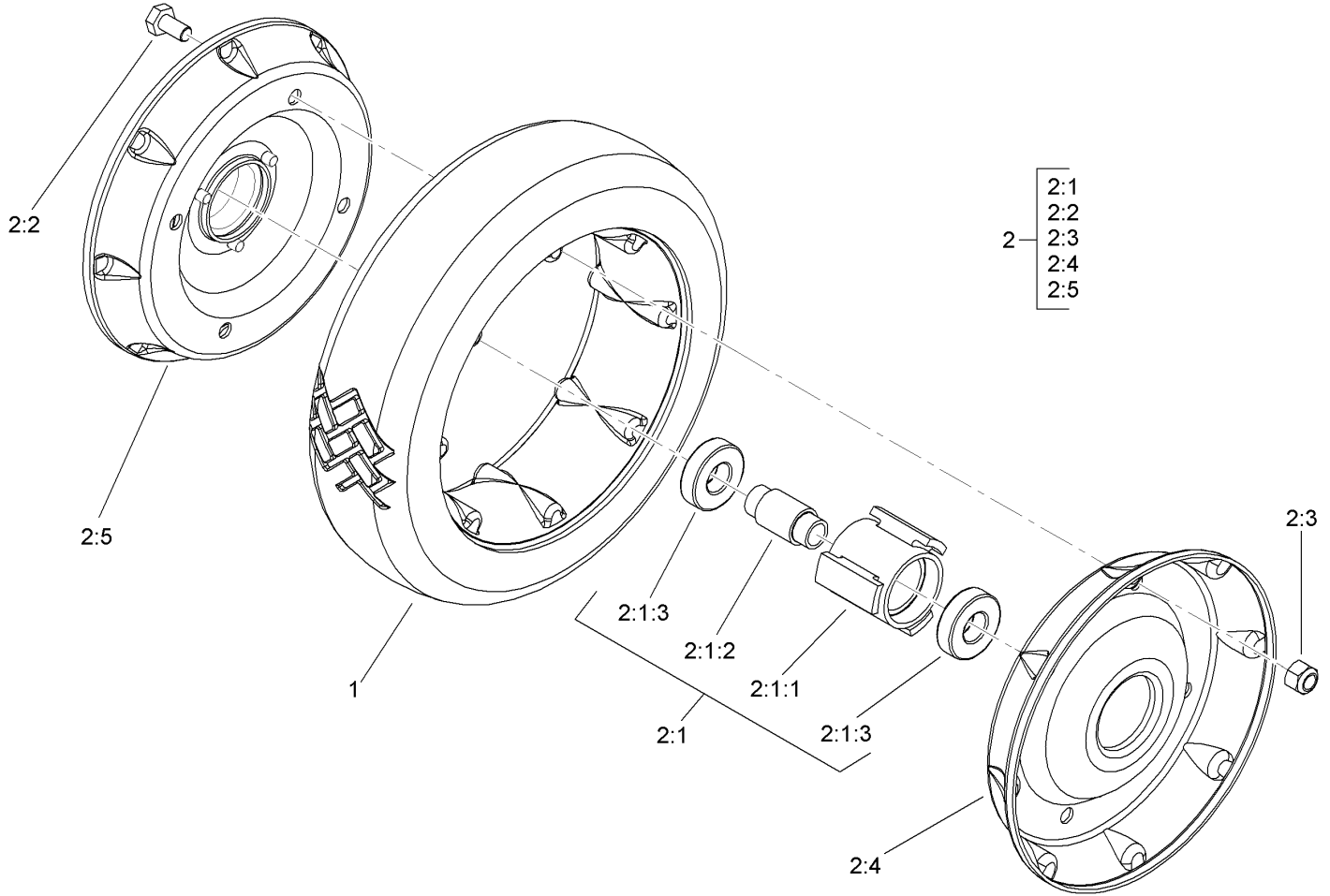
Ref	Part No.	Qty.	Description
23	3296-58	1	Nut-Lock, NI
24	84-8990	1	Lever-BBC
25	84-9040	1	Pin-Cable
26	84-9030	1	Spacer-Bracket, Control
31	32104-76	6	Screw
32	99-2542	1	Control-Shift
33	85-6780	1	Retainer-Cable, Throttle
34	99-2541	1	Cable-Shift



Rear Drive and Wheel Assembly

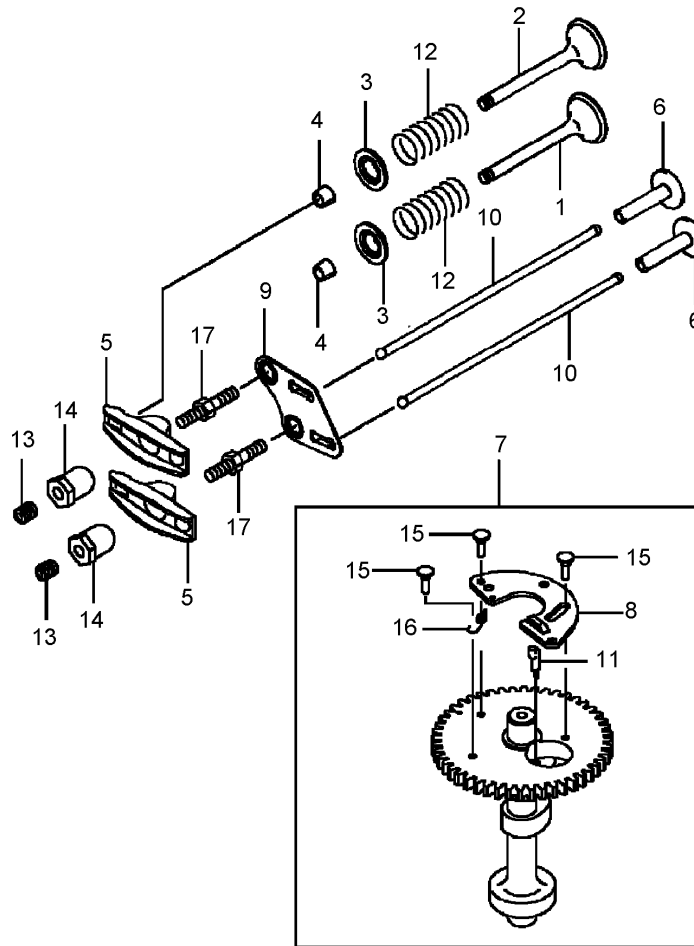
Ref	Part No.	Qty.	Description
1	36-8070	1	V-Belt
2	32151-36	2	Ring-Retaining
3	74-1810	2	Washer
4	48-2170	2	Cap-End
5	32152-2	2	Nut-Lock, Cone
6	62-3830	2	Washer-Thrust, Outer
7	39-9160	2	Gear-Pinion
8	74-1640	2	Cover-Wheel
9	100-2860	2	Wheel And Tire ASM
10	323-13	2	Screw-HH
11	74-1650	2	Spacer-Cover, Wheel
12	39-9650	2	Spring-Compression
13	612066	2	Key
14	32151-68	4	Ring-Retaining
15	49-7700	2	Washer-Thrust, Outer
16	74-1851	2	Pivot Arm ASM
16:1	47-6730	1	Seal-Oil
16:2	48-2060	1	Bearing-Roller
16:3	52-2450	1	Bearing-Wheel
16:5	92-6316	1	Zerk
17	110-0538	2	Rear Spring Arm ASM
18	110-0549	2	Knob-HOC
19	29-9560	1	Lever-Shift
20	32121-99	1	Pin-Coil

Ref	Part No.	Qty.	Description
23	32144-70	1	Screw-HWHTF
27	62-3720	1	Clamp-Cable
●99	106-0975	1	Grass Bag ASM



Rear Wheel Assembly No. 100-2860

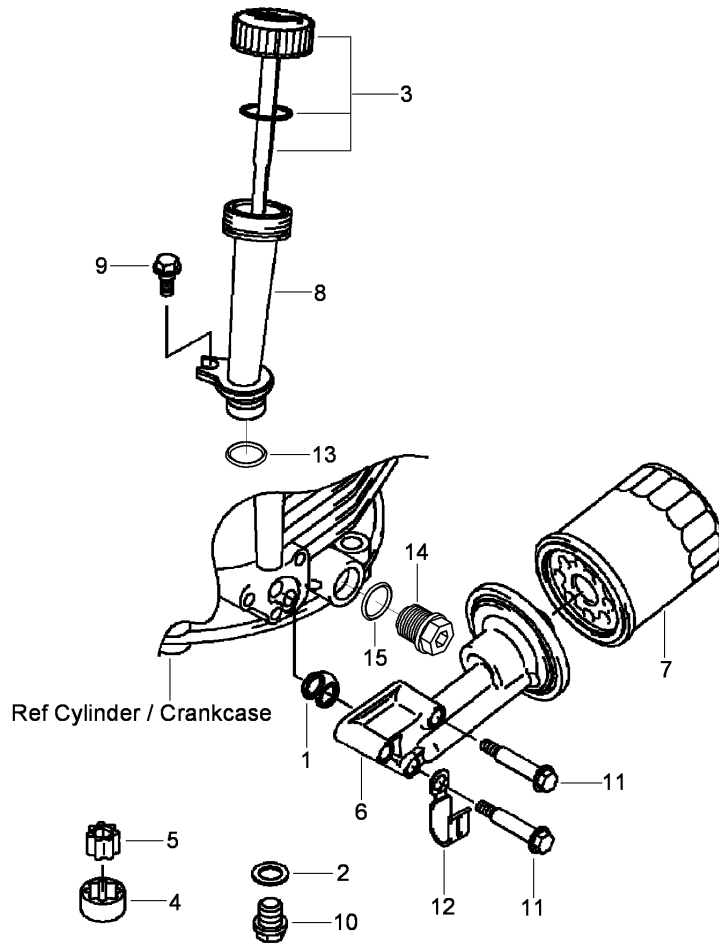
Ref	Part No.	Qty.	Description
1	53-7740	1	Tire
2		1	Wheel ASM
2:1		1	Hub And Bearing ASM
2:1:1	52-2410	1	Hub-Bearing
2:1:2	52-2440	1	Spacer-Bearing
2:1:3	52-2450	2	Bearing-Wheel
2:2	321-2	4	Screw-HH
2:3	3296-42	4	Nut-Lock, NI
2:4	53-7780-06	1	Plate-Wheel, Half
2:5	92-4957-06	1	Wheel Half And Gear ASM



Valve and Camshaft Assembly

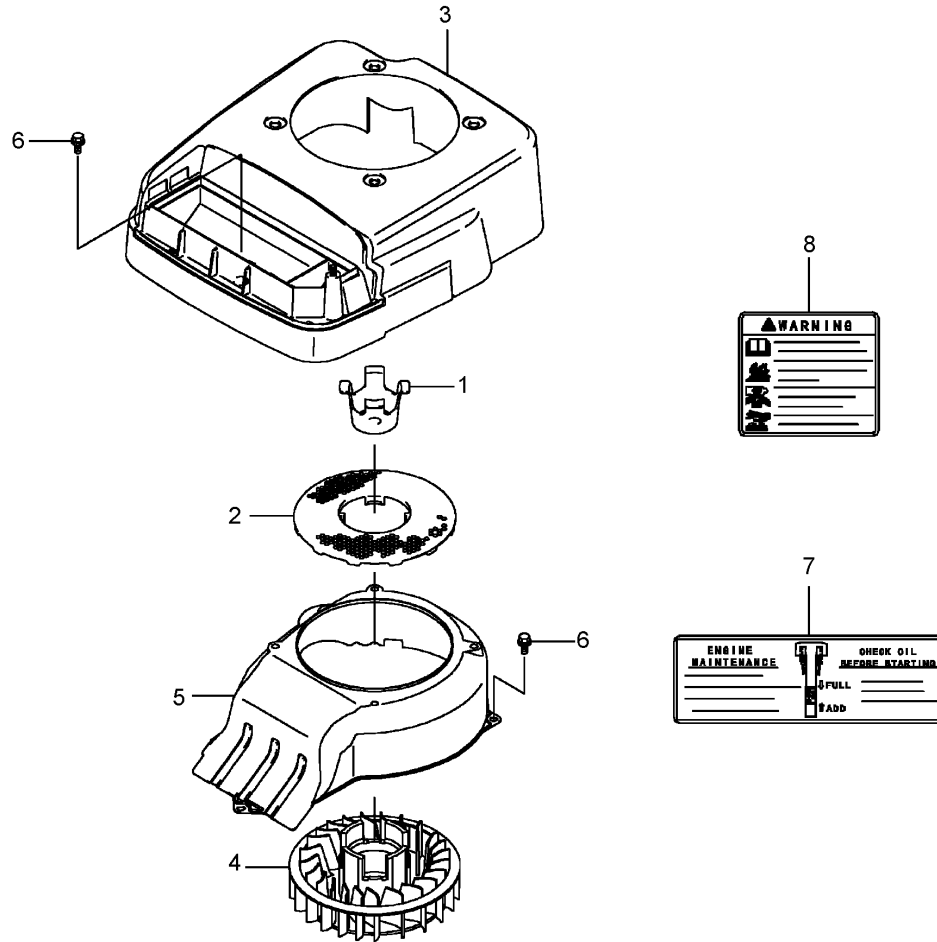
Ref	Part No.	Qty.	Description
1	108-2523	1	Valve-Intake
2	108-2524	1	Valve-Exhaust
3	108-2525	2	Retainer-Spring, Valve
4	95-9744	4	Collet
5	108-2526	2	Arm-Rocker
6	108-2527	2	Tappet
7	108-2528	1	Camshaft Valve ASM
8	108-2529	1	Weight
9	108-2530	1	Guide
10	108-2531	2	Rod-Push
11	108-2532	1	Arm
12	108-2533	2	Spring-Valve, Engine
13	108-2534	2	Screw
14	93-8534	2	Nut
15	108-2535	3	Pin
16	108-2536	1	Spring
17	108-2537	2	Bolt

--	--	--	--



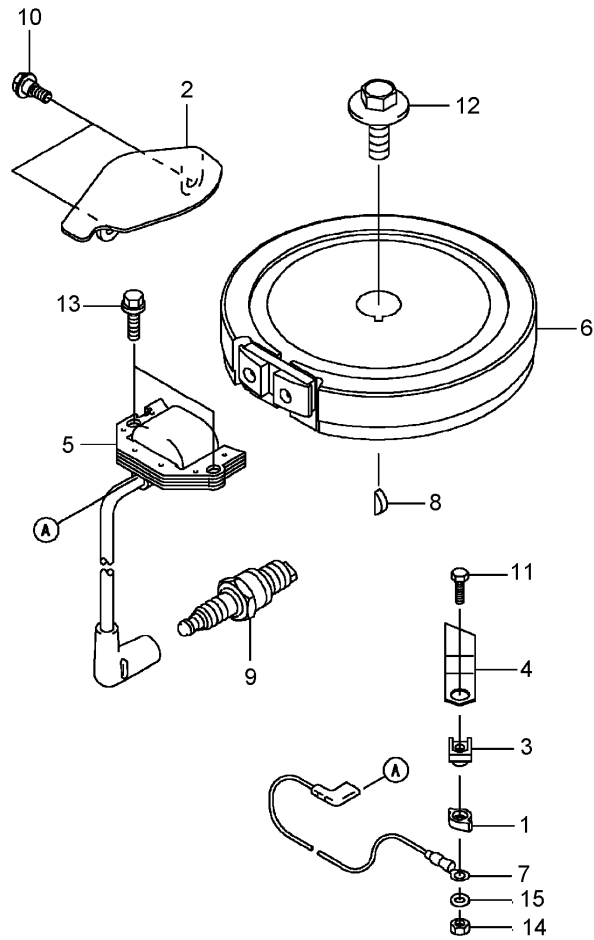
Lubrication Equipment Assembly

Ref	Part No.	Qty.	Description	
1	100-2644	1	Gasket	
2	108-2538	1	Gasket	
3	108-2539	1	Cap ASM	
4	108-2540	1	Rotor-Pump	
5	108-2541	1	Rotor-Pump	
6	108-2542	1	Pipe	
7	KW10761	1	Filter-Oil	
8	108-2543	1	Filler	
9	108-2544	1	Bolt	
10	108-2545	1	Bolt	
11	108-2546	3	Bolt	
12	108-2547	1	Clamp	
13	100-2690	1	O-Ring	
14	112-9991	1	Plug-Drain, Oil	
15	100-2690	1	O-Ring	



Cooling Equipment Assembly

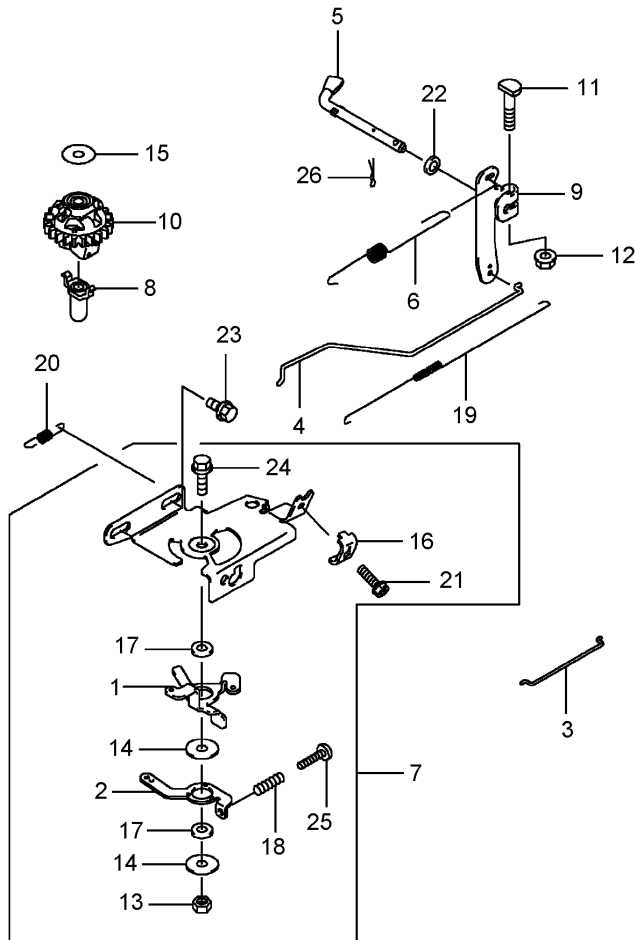
Ref	Part No.	Qty.	Description	
1	108-2548	1	Bracket-Fan	
2	108-2549	1	Screen	
3	108-2550	1	Cover	
4	108-2551	1	Fan	
5	108-2552	1	Housing-Fan	
6	100-2804	2	Bolt-Flanged	
7	108-2624	1	Label-Manual	
8	108-2625	1	Label-Warning	



Electrical Equipment Assembly

Ref	Part No.	Qty.	Description
1	100-2652	1	Cover
2	108-2553	1	Cover
3	100-2653	1	Insulator
4	100-2796	1	Terminal
5	108-2554	1	Coil Ignition ASM
6	108-2555	1	Flywheel
7	108-2556	1	Wire-Lead
8	93-8571	1	Key
9	KW10676	1	Spark Plug
10	108-2544	2	Bolt
11	108-2558	1	Bolt
12	108-2559	1	Bolt
13	95-9893	2	Bolt-Flanged
14	100-2668	1	Nut-Hex
15	100-2798	1	Washer-Plain

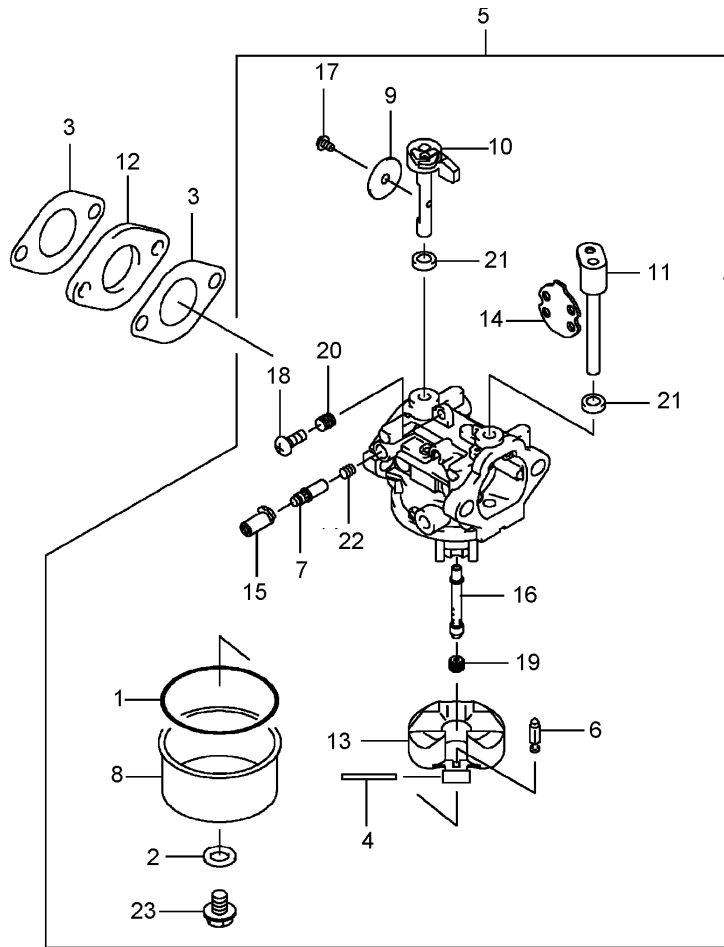
--	--	--	--



Control Equipment Assembly

Ref	Part No.	Qty.	Description
1	108-2560	1	Lever
2	108-2561	1	Lever
3	108-2562	1	Link-Choke
4	108-2563	1	Link-Throttle
5	108-2564	1	Arm-Pivot
6	108-2565	1	Spring-Govenor
7	108-2566	1	Control Panel ASM
8	108-2567	1	Sleeve
9	108-2568	1	Arm-Governor
10	108-2569	1	Governor ASM
11	108-2570	1	Bolt
12	108-2571	1	Nut
13	108-2572	1	Nut
14	100-2715	2	Washer
15	93-8612	1	Washer
16	95-9849	1	Clamp
17	100-2718	2	Collar
18	93-8588	1	Spring
19	108-2573	1	Spring-Throttle
20	108-2574	1	Spring
21	95-9853	1	Bolt
22	108-2575	1	Washer
23	100-2804	2	Bolt-Flanged
24	108-2576	1	Bolt-Flange

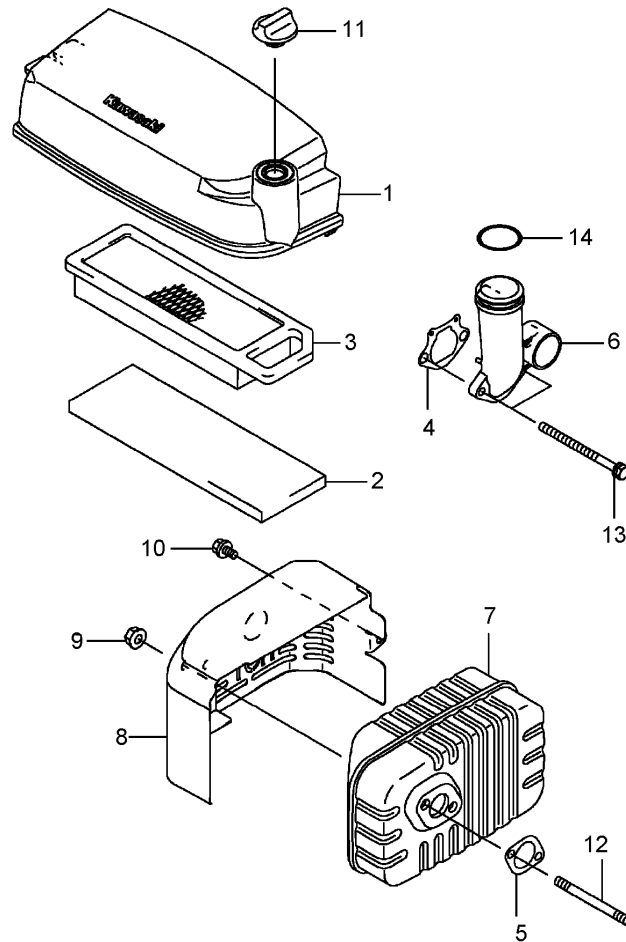
Ref	Part No.	Qty.	Description
25	108-2577	1	Screw-Pan
26	108-2578	1	Pin-Snap



Carburetor Assembly

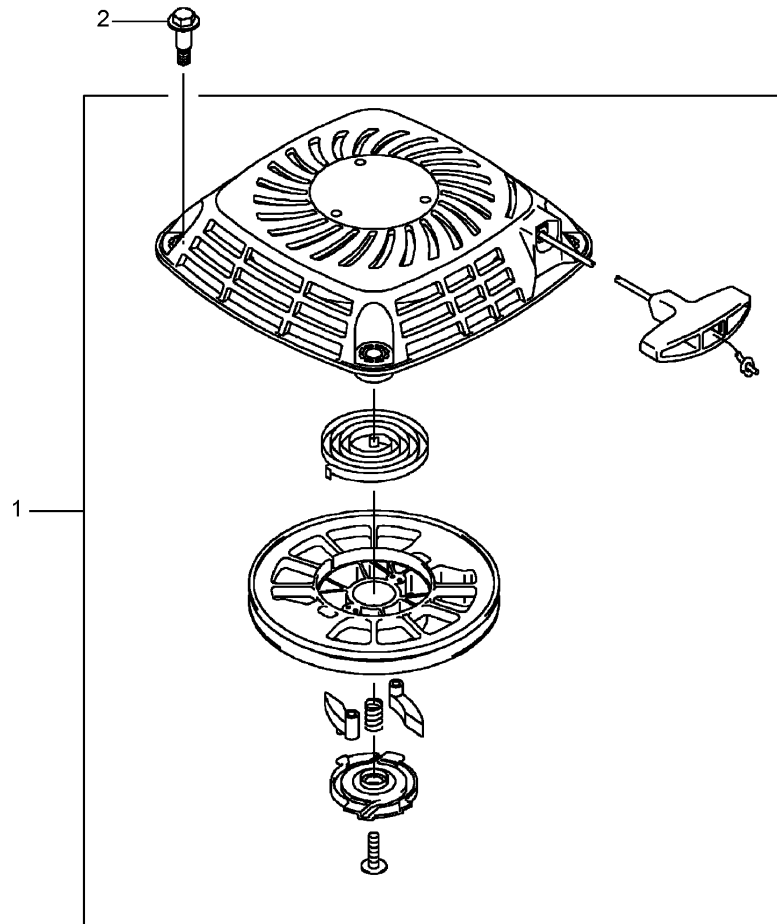
Ref	Part No.	Qty.	Description
1	108-2579	1	Gasket
2	108-2580	1	Gasket
3	108-2581	2	Gasket
4	108-2582	1	Shaft
5	108-2583	1	Carburetor ASM
6	108-2584	1	Needle-Jet
7	108-2585	1	Screw-Pilot, Air
8	108-2586	1	Chamber-Float
9	108-2587	1	Valve-Throttle
10	108-2588	1	Shaft-Carburetor
11	108-2589	1	Shaft-Carburetor
12	108-2590	1	Insulator
13	108-2591	1	Float ASM
14	108-2592	1	Choke Valve ASM
15	108-2593	1	Limiter
16	108-2594	1	Nozzle-Main
17	108-2595	1	Screw
18	108-2596	1	Screw
19	108-2597	1	Jet-Main (#74)
20	108-2598	1	Spring
21	108-2599	2	Seal
22	108-2600	1	Spring
23	108-2601	1	Screw

--	--	--	--



Air Filter and Muffler Assembly

Ref	Part No.	Qty.	Description	
1	108-2602	1	Case-Filter, Air	
2	108-2603	1	Element-Filter, Air	
3	108-2604	1	Air Filter Element ASM	
4	108-2605	1	Gasket-Pipe, Intake	
5	108-2606	1	Gasket-Muffler	
6	108-2607	1	Pipe-Intake	
7	108-2608	1	Muffler	
8	108-2609	1	Cover-Muffler	
9	108-2610	2	Nut	
10	108-2611	1	Bolt	
11	108-2612	1	Nut	
12	100-2761	2	Bolt-Stud	
13	100-2762	2	Bolt	
14	108-2613	1	O-Ring	



Starter Assembly

Ref	Part No.	Qty.	Description				
1	108-2614	1	Starter-Recoil				
2	108-2615	4	Bolt				

