



## Twister® 1600 Utility Vehicle

Model No. 12004TC - 280000001 and up.

### Parts Catalog

---

#### Ordering Replacement Parts

To order replacement parts, please supply the part number, the quantity, and the description of each part desired.

#### Understanding Reference Numbers

Each identified part in an illustration has a reference number. The reference number for a part also appears in the parts list, along with other information about the part.

This catalog uses two special reference number formats, one to indicate parts in a service assembly and another to indicate the quantity of a given part in an illustration.

#### Service Assembly Reference Numbers

Parts in service assemblies have reference numbers in the form a:b. The a represents the reference number of the entire service assembly and the b represents a sequential number unique to each part within the service assembly.

For example, a wheel assembly might be identified by reference number 6, the tire by 6:1, the valve by 6:2, and the wheel by 6:3. When you order the assembly identified by reference number 6, you receive all parts identified by reference numbers 6:1, 6:2, and 6:3. However, you may also order any part individually. Reference numbers of this type appear in illustrations and in part lists.

#### Reference Numbers Indicating Quantity

In an illustration, if a reference number indicates more than one part, the reference number has the form nX y. The n represents the quantity of the part, the X is the multiplication symbol, and the y represents the reference number.

For example, in an illustration, the reference number 2X 37 means that two of the parts identified by reference number 37 are indicated.

# Contents

Description	Page	Description	Page
Pedal Assembly	3	Cylinder, Oil Filter and Dipstick Assembly	
Shifter Assembly	4	Briggs and Stratton 303447-1319-E1	25
Frame Assembly	5	Crankcase Assembly Briggs and Stratton	
Seat Base Assembly	6	303447-1319-E1	26
Front Tire and Steering Assembly	7	Cylinder Head and Cover Assembly Briggs	
Rear Tire and Transaxle Assembly	8	and Stratton 303447-1319-E1	27
Driven Clutch Assembly No. 99-7104	9	Crankshaft, Piston and Oil Pump Assembly	
Transaxle Assembly No. 104-6898	10	Briggs and Stratton 303447-1319-E1	28
Left Hand Brake Assembly No. 104-6807	12	Carburetor and Fuel Pump Assembly Briggs	
Right Hand Brake Assembly No. 104-6806	13	and Stratton 303447-1319-E1	29
Drivetrain Mounting, Battery and Air Cleaner		Manifold Intake and Governor Control	
Assembly	14	Assembly Briggs and Stratton 303447-1319-E1	30
Air Cleaner Assembly No. 99-7120	15	Alternator Assembly Briggs and Stratton	
Upper Steering Assembly	16	303447-1319-E1	31
Steering Gearbox Assembly No. 99-7660	17	Blower Housing and Cover Assembly Briggs	
Box and Tailgate Installation Assembly	18	and Stratton 303447-1319-E1	32
Box and Tailgate Assembly	19	Starter Motor Assembly Briggs and Stratton	
Engine and Clutch Assembly	20	303447-1319-E1	33
Drive Clutch Assembly No. 99-7939	21	Replacement Starter Motor Assembly Briggs	
Hood and Fender Assembly	22	and Stratton 303447-1319-E1	34
Hydraulic Brake Assembly	23	Engine Gasket Set Briggs and Stratton	
Master Cylinder Assembly No. 104-6782	24	303447-1319-E1	35
		Valve Gasket Set and Carburetor Overhaul Kit	
		Briggs and Stratton 303447-1319-E1	36
		Attachments and Accessories List	37

## Part Description Abbreviations

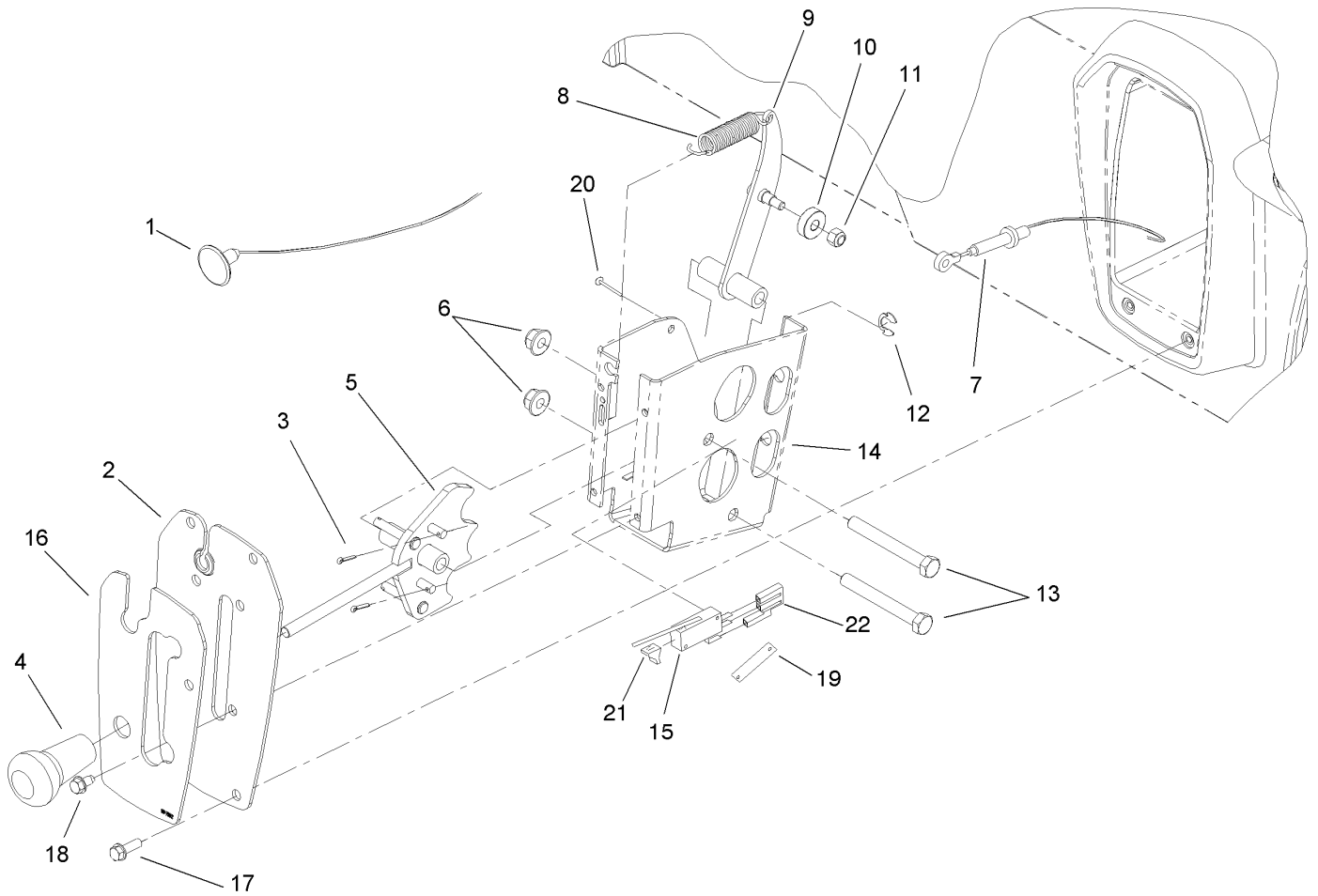
Part descriptions in this catalog may include the following abbreviations.

AR. .... as required	HYD. .... hydraulic
ASM. .... assembly	LH. .... left hand
BBC. .... blade brake clutch	NI. .... nylon insert
CARR. .... carriage	NPTF. .... national pipe thread fine
DEG. .... degrees	PFH. .... phillips flat head
EXT. .... external	PPH. .... phillips pan head
FH. .... flat head	PPHTF. .... phillips pan head thread forming
GA. .... gauge	PRH. .... phillips round head
HD. .... heavy-duty	PTH. .... phillips truss head
HF. .... hex flange	PTO. .... power-take-off
HH. .... hex head	RH. .... right hand
HHF. .... hex head flange	ROPS. .... roll-over protection system
HHFTF. .... hex head flange thread forming	SFH. .... slotted fillister head
HJ. .... hex jam	SHH. .... slotted hex head
HLH. .... hex lag head	SHWH. .... slotted hex washer head
HOC. .... height-of-cut	SPH. .... slotted pan head
HSBH. .... hex socket button head	SQH. .... square head
HSFH. .... hex socket flat head	SRH. .... slotted round head
HSH. .... hex socket head	STD. .... standard
HWH. .... hex washer head	TAP. .... self tapping
HWHTF. .... hex washer head thread forming	TTH. .... torx truss head

## Footnotes

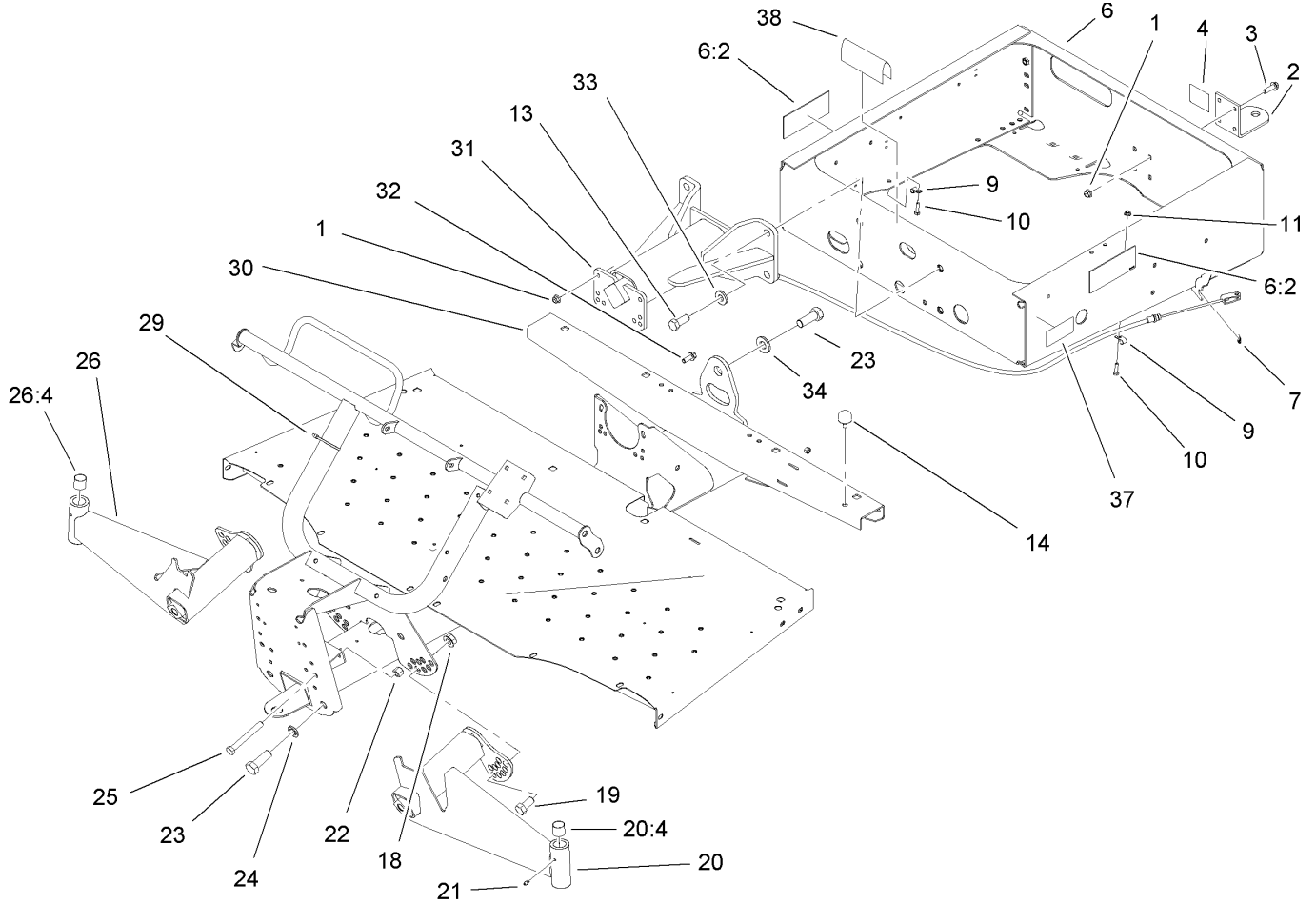
- |   |   |
|---|---|
| ❶ Not serviced separately                         | ❷ Included in Engine Gasket Set-Ref. 358.       |
| ❸ Included in Valve Gasket Set-Ref. 1095.         | ❹ Included in Carburetor Overhaul Kit-Ref. 121. |
| ❺ Obtain from your local Briggs & Stratton dealer |   |





## Shifter Assembly

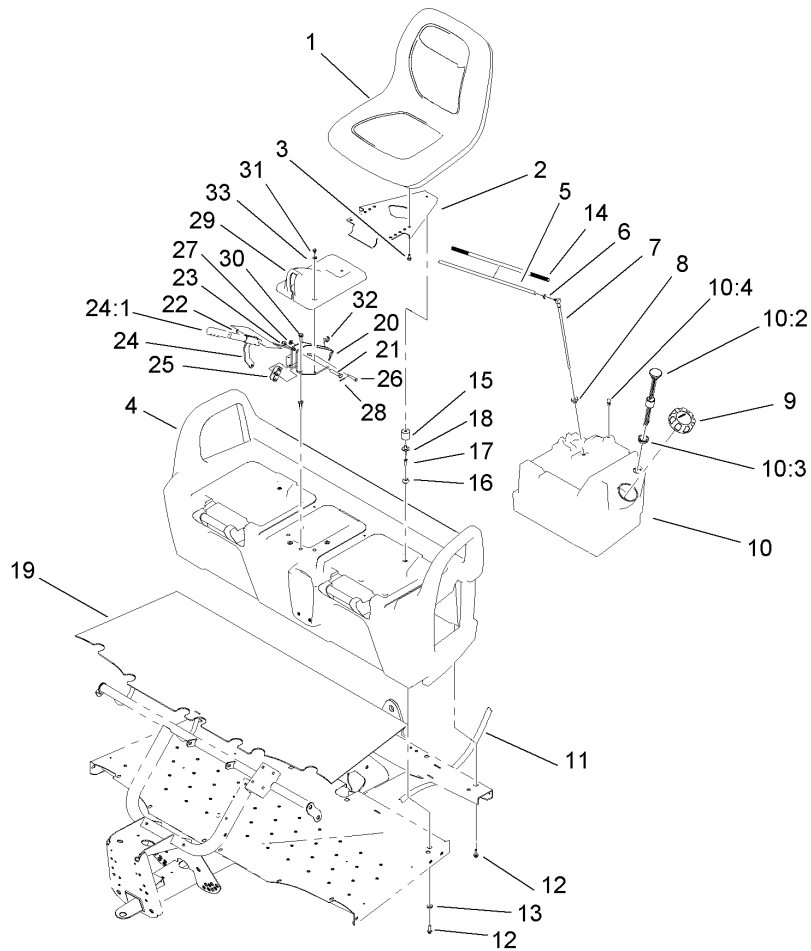
Ref	Part No.	Qty.	Description
1	99-7111	1	Cable-Choke
2	99-7887-03	1	Plate-Shifter
3	3272-5	2	Pin-Cotter
4	99-7981	1	Knob-Grip, Soft
5	108-3139	1	Lever-Shift
6	104-8301	2	Nut-Flange, NI
7	104-6896	2	Cable-Shift
8	104-6415	1	Spring-Return, Pedal
9	108-3138	1	Arm-Detent
10	251-307	1	Bearing-Ball
11	3296-42	1	Nut-Lock, NI
12	32151-101	2	E-Ring
13	323-14	2	Screw-HH
14	108-3141-03	1	Bracket-Shift
15	88-9932	1	Switch-Micro
16	99-7952	1	Decal-Shifter
17	32105-15	4	Screw
18	12-3270	4	Screw
19	3290-354	1	Nut-Speed
20	3290-313	2	Screw-Ph
21	93-3240	1	Plunger-Seal
22	107-0725	1	Harness-Jumper, Shift

### Frame Assembly

Ref	Part No.	Qty.	Description
1	104-8301	8	Nut-Flange, NI
2	99-7654-03	1	Hitch-Duty, Light
3	3234-24	4	Screw-HHF
4	99-7350	1	Decal-Rating, Hitch (Light Duty)
6	108-3137	1	Rear Frame ASM
6:2	99-7345	2	Decal-Warning
7	32120-47	2	Ring-Retaining, External
9	2412-89	2	Clamp
10	321-6	2	Screw-HH
11	32128-33	2	Nut-HF
13	327-4	4	Screw-HH
14	87-2440	1	Bumper-Rubber
18	32128-54	2	Nut-HF
19	3214-2	2	Screw-HH
20	99-7685	1	LH A-Arm ASM
20:4	3-0348	2	Bushing
21	302-5	2	Fitting-Grease
22	3296-23	2	Nut-Lock, NI
23	328-24	5	Screw-HH
24	3254-7	4	Washer-Lock, Int
25	325-17	2	Screw-HH
26	99-7684	1	RH A-Arm ASM
26:4	3-0348	2	Bushing
29	3290-379	12	Tie-Cable

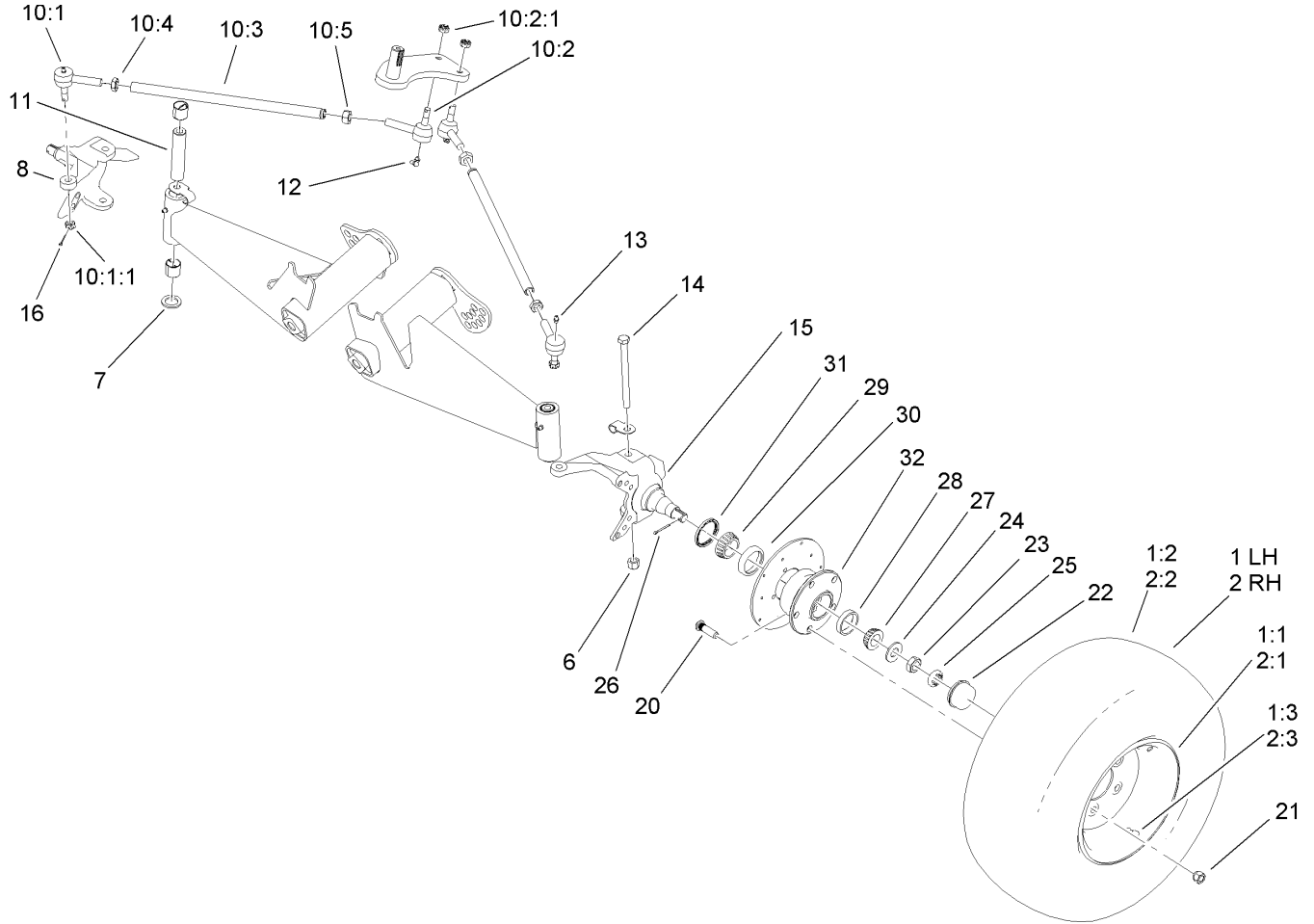
Ref	Part No.	Qty.	Description
30	104-7197-03	1	Front Frame ASM
31	99-7700	1	Pivot Yoke ASM
32	3234-11	4	Screw-HHF
33	99-7667	4	Washer-Flat
34	87-3060	1	Washer-Hardened
37	104-6592	1	Decal-Capacity (Ce)
38	95-5686	1	Trim



### Seat Base Assembly

Ref	Part No.	Qty.	Description
1	112-2923	2	Seat ASM
2	99-7829	2	Bracket-Seat
3	33114-016	8	Screw-HH
4	104-6847	1	Seat Base ASM
5	108-4582	1	Hose-Fuel
6	2412-98	1	Clamp
7	99-7264	1	Pipe-Stand
8	46-6560	1	Bushing
9	95-4192	1	Unleaded Gas Cap ASM
10	99-7323	1	Fuel Tank ASM
10:2	99-7262	1	Gauge-Fuel
10:3	95-8972	1	Grommet
10:4	99-7267	1	Vent-Air
11	3339-175	1	Strapping-Web, 48 Inch
12	3234-17	8	Screw-HHF
13	88-7200	8	Washer-Flat
14	99-7129	1	Conduit-Line, Fuel
15	99-7830	2	Rubber Receptical ASM
16	99-7833	2	Post-Holding
17	32108-5	2	Screw-FH
18	3290-412	2	Rivet
19	104-6590	1	Mat-Floor
20	104-6844-03	1	Support-Brake, Park
21	323-10	1	Screw-HH

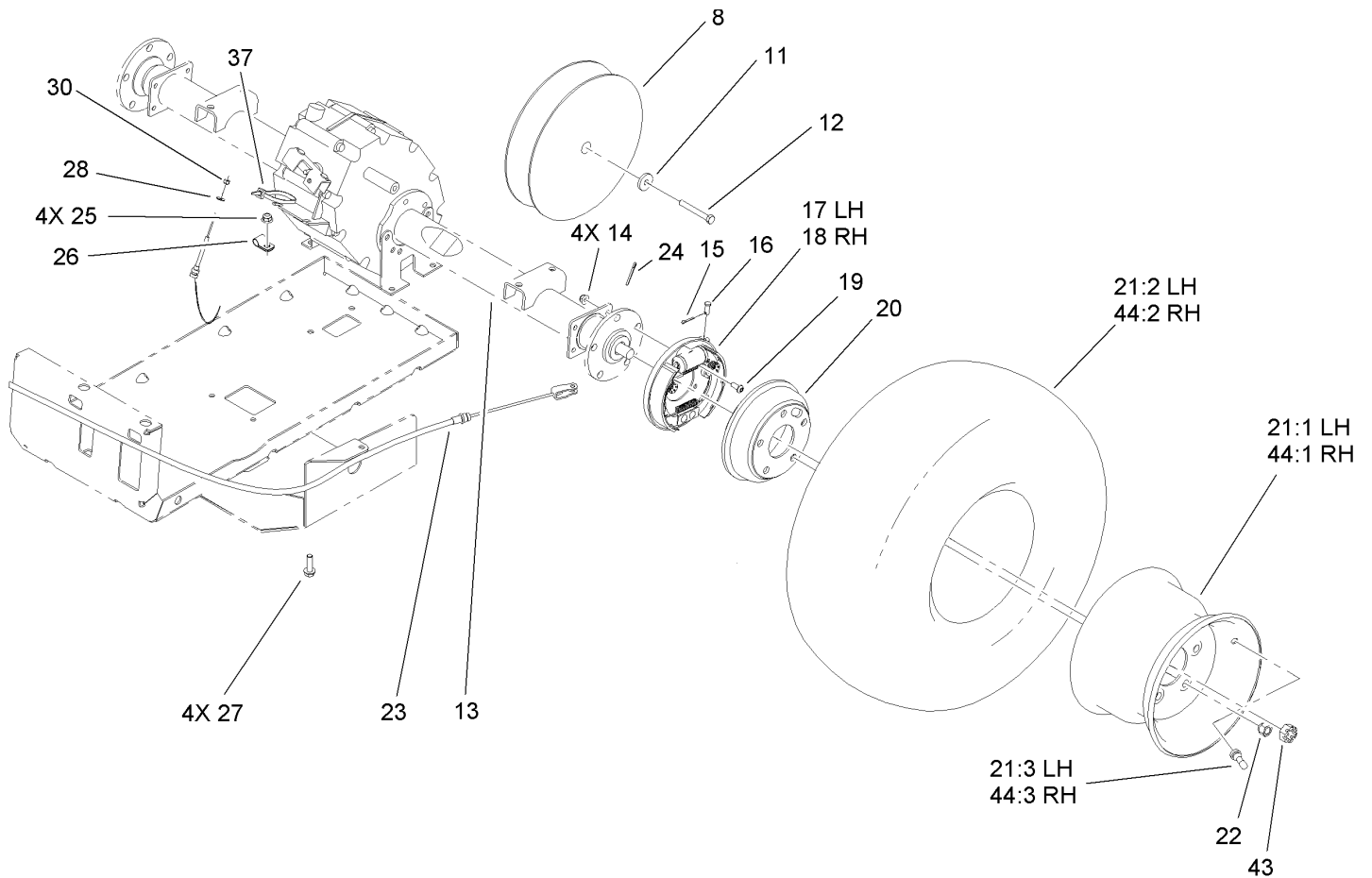
Ref	Part No.	Qty.	Description
22	3290-477	1	Washer-Curved
23	3296-39	1	Nut-Lock, NI
24	104-6842	1	Lever-Brake, Park
24:1	106-7972	1	Grip-Handle
25	87-3480	1	Bracket-Equalizer, Cable
26	94-3829	1	Pin-Clevis
27	3256-23	1	Washer-Flat
28	3272-6	1	Pin-Cotter
29	104-7014	1	Cover-Brake, Parking
30	3234-17	4	Screw-HHF
31	12-3270	2	Screw
32	32120-47	2	Ring-Retaining, External
33	3256-1	2	Washer-Flat



## Front Tire and Steering Assembly

Ref	Part No.	Qty.	Description
❶		1	Tire And Wheel ASM
1:1	104-6889	1	Wheel-5 Bolt
1:2	104-7062	1	Tire
1:3	232-27	1	Stem-Valve
❷		1	Tire And Wheel ASM
2:1	104-6889	1	Wheel-5 Bolt
2:2	104-7062	1	Tire
2:3	232-27	1	Stem-Valve
6	3296-23	2	Nut-Lock, NI
7	256-115	2	Washer-Thrust
8	104-6877	1	Spindle-Disc, RH
❸		2	Tie Rod ASM
10:1	112772-03	1	RH Ball Joint ASM
10:1:1	915031	1	Nut
10:2	112771-03	1	LH Ball Joint ASM
10:2:1	915031	1	Nut
10:3	99-7600-03	1	Rod-Tie
10:4	3220-11	1	Nut-Jam
10:5	3218-21	1	Nut-Jam
11	99-7499	2	Sleeve-Kingpin
12	302-60	2	Fitting-Grease, 90 DEG
13	302-5	2	Fitting-Grease
14	325-20	2	Screw-HH
15	104-6876	1	Spindle-Disc, LH

Ref	Part No.	Qty.	Description
16	3272-7	4	Pin-Cotter
20	10-6830	10	Stud-Type, Drive
21	242-50	10	Nut-Lug
22	241-119	2	Cap-Dust
23	3220-7	2	Nut-Jam
24	93-0309	2	Washer-Tab
25	93-0307	2	Nut-Lock, Retainer
26	3272-12	2	Pin-Cotter
27	254-94	2	Bearing-Cone, Tapered
28	254-72	2	Bearing-Cup, Tapered
29	254-106	2	Cone-Bearing, Tapered
30	254-107	2	Cup-Bearing, Tapered
31	108-7019	2	Seal-Shaft
32	104-6809	2	Hub



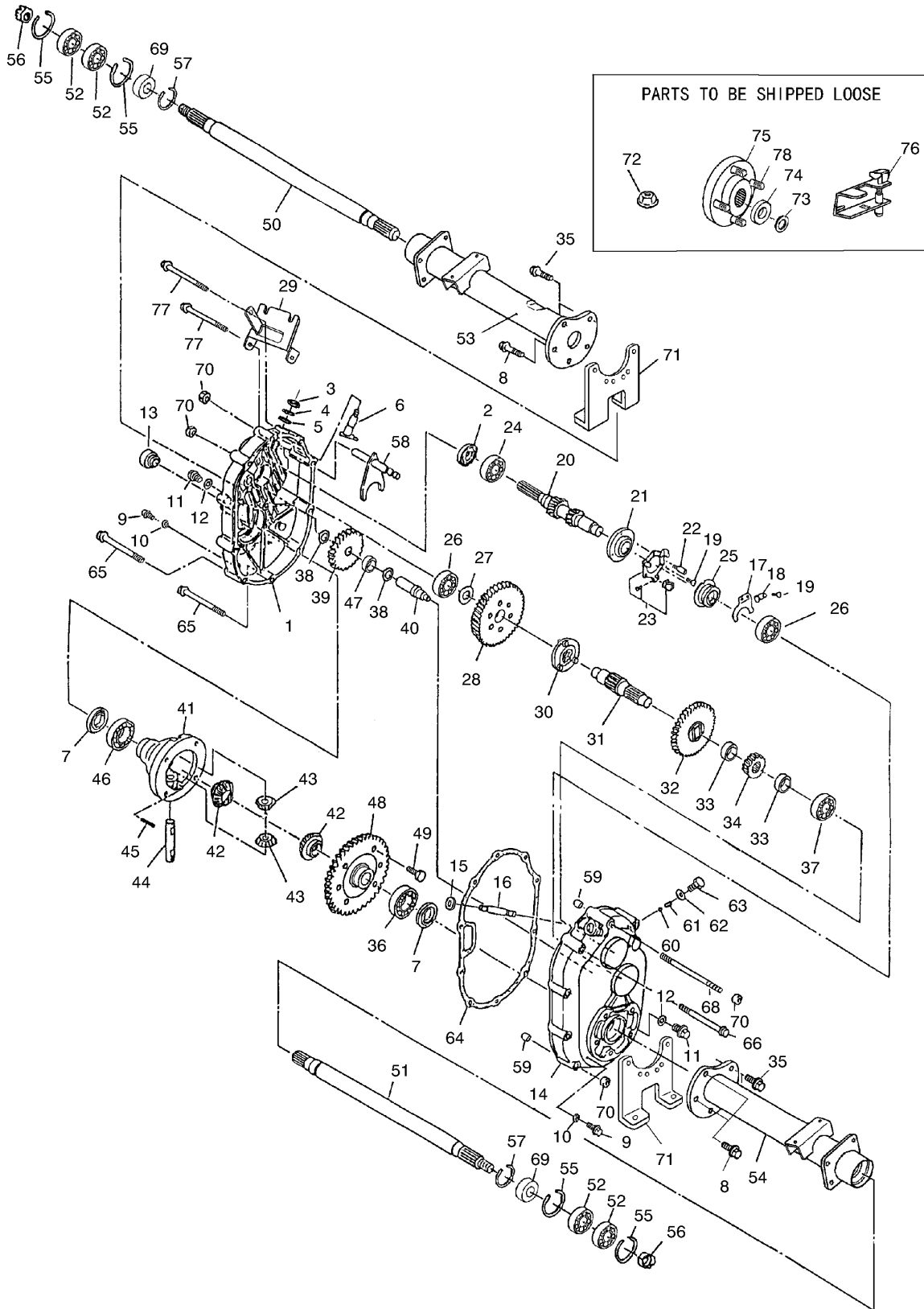
## Rear Tire and Transaxle Assembly

Ref	Part No.	Qty.	Description
8	99-7104	1	Clutch-Driven
11	104-6563	1	Washer-Stepped
12	104-6564	1	Screw-HH
13	104-6898	1	Transaxle
14	104-8300	8	Nut-Flange, NI
15	3272-10	2	Pin-Cotter
16	283-62	2	Pin-Clevis
17	104-6807	1	LH Brake ASM
18	104-6806	1	RH Brake ASM
19	3274-55	8	Screw-HSBH
20	104-6500	2	Drum-Brake
21		1	Tire And Wheel ASM
21:1	104-6889	1	Wheel-5 Bolt
21:2	104-7061	1	Tire
21:3	232-27	1	Stem-Valve
22	242-50	10	Nut-Lug
23	104-6846	2	Cable-Brake, Park
24	3272-42	2	Pin-Cotter
25	104-8301	4	Nut-Flange, NI
26	2412-10	1	R-Clamp
27	3234-24	4	Screw-HHF
28	3256-49	2	Washer-Flat
30	3296-2	2	Nut-Lock
37	3290-378	1	Tie-Cable

Ref	Part No.	Qty.	Description
43	104-1656	2	Nut-Castle
44		1	Tire And Wheel ASM
44:1	104-6889	1	Wheel-5 Bolt
44:2	104-7061	1	Tire
44:3	232-27	1	Stem-Valve



# Transaxle Assembly No. 104-6898

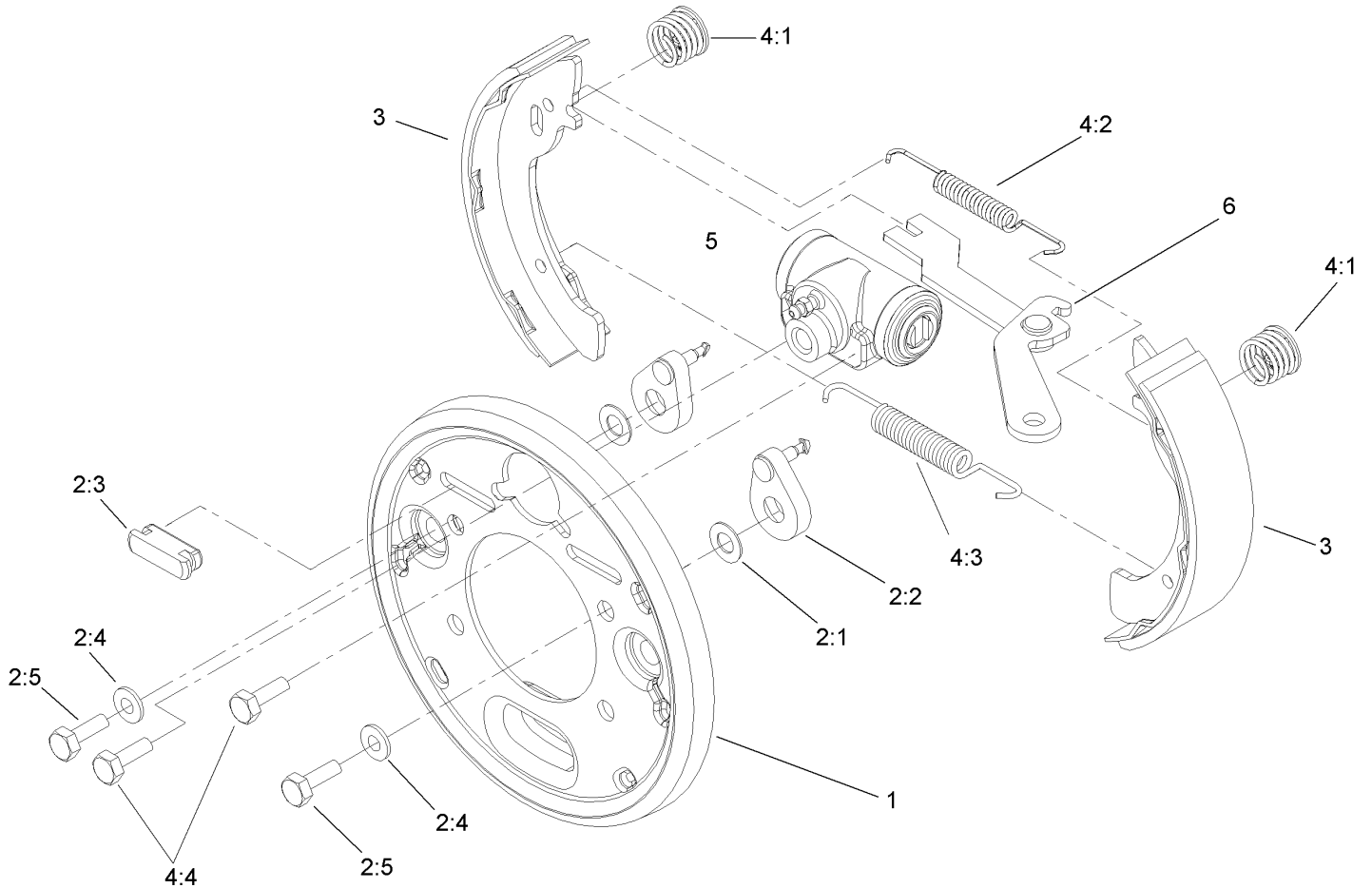


## Transaxle Assembly No. 104-6898

Ref	Part No.	Qty.	Description
1	104-1601	1	Case-LH, Complete
2	104-1602	1	Seal-Oil
3	104-1603	1	Seal-Oil
4	104-1604	1	Ring-Snap
5	104-1605	1	Spacer
6	104-1606	1	Shaft-Selector
7	104-1607	2	Seal-Oil
8	104-1608	4	Bolt-Flange
9	104-1609	2	Plug-Check, Oil
10	104-1610	2	Gasket
11	104-1611	2	Plug-Drain, Oil
12	104-1612	2	Gasket
13	104-1613	1	Plug-Filler, Oil
14	104-1614	1	Case-Complete, RH
15	104-1615	1	Seal-Oil
16	104-1616	1	Shaft-Governor
17	104-1617	1	Fork-Governor
18	104-1618	1	Stopper
19	104-1619	4	Screw And Washer ASM
20	104-7002	1	Shaft-Input, Complete
21	104-1621	1	Base-Governor
22	104-1622	1	Pin-Lock
23	104-1623	1	Unit-Plate, Governor
24	104-1624	1	Bearing-Ball
25	104-1625	1	Sleeve-Governor
26	104-1626	2	Bearing-Ball
27	104-1627	1	Spacer
28	104-1628	1	Gear
29	104-1629	1	Bracket-Wire, Change
30	104-1630	1	Clutch-Pin
31	104-1631	1	Shaft-Center
32	104-1632	1	Gear
33	104-1633	2	Collar
34	104-1634	1	Gear
35	104-1635	6	Bolt-Flange
36	104-1636	1	Bearing-Ball
37	104-1637	1	Bearing-Ball
38	104-1638	2	Spacer
39	104-1639	1	Gear
40	104-1640	1	Shaft-Counter
41	104-1641	1	Case-Differential
42	104-1642	2	Gear-Side, Differential
43	104-1643	2	Pinion-Differential
44	104-1644	1	Shaft-Differential
45	104-1645	1	Pin
46	104-1646	1	Bearing-Ball
47	104-1647	1	Bearing-Needle
48	104-1648	1	Gear
49	104-1649	6	Bolt
50	104-1650	1	Shaft-Axle, LH
51	104-1651	1	Shaft-Axle, RH
52	104-1652	4	Bearing-Ball

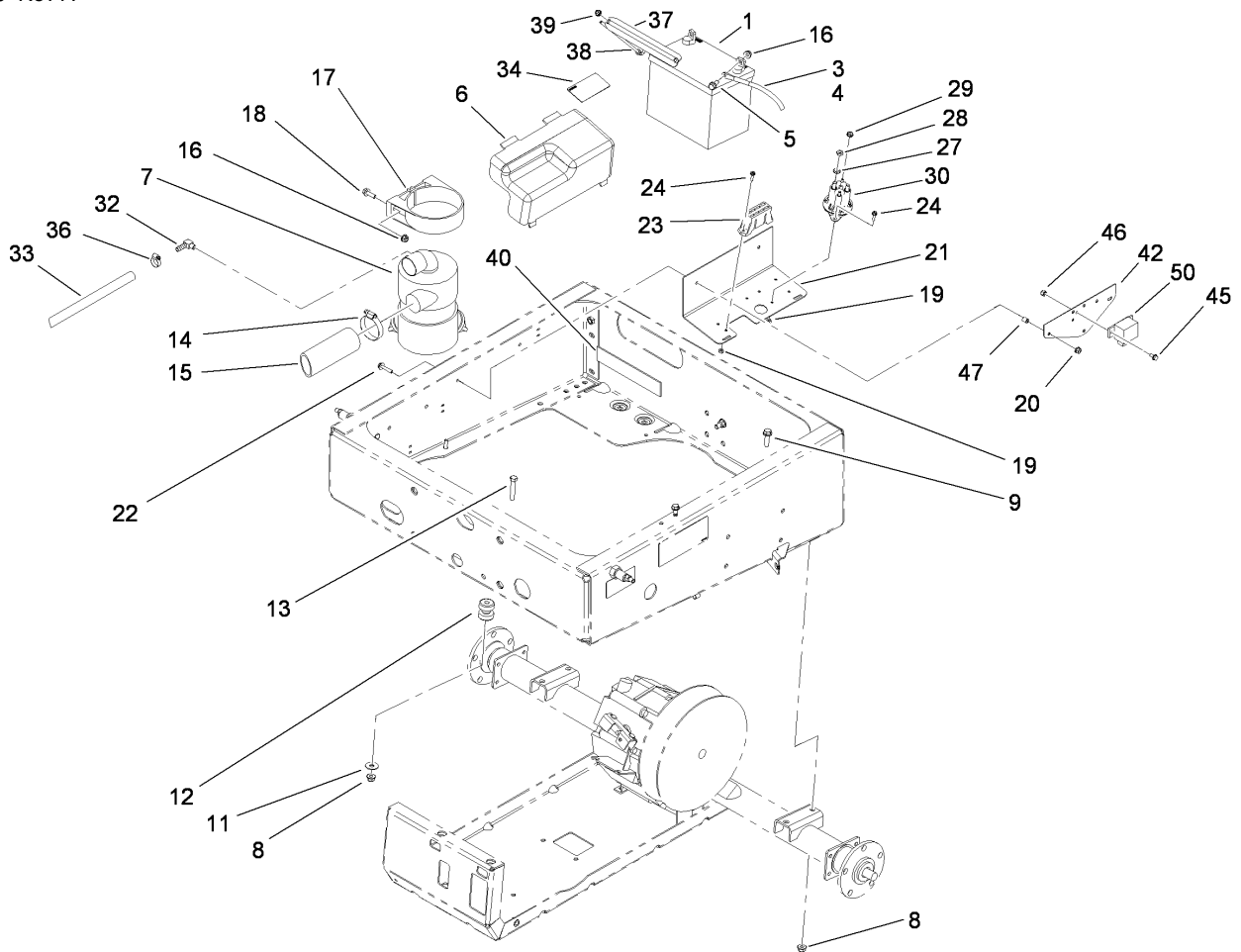
Ref	Part No.	Qty.	Description
53	104-1653	1	Case-Axle, LH
54	104-1654	1	Case-Axle, RH
55	104-1655	4	Ring-Snap
56	104-1656	2	Nut-Castle
57	104-1657	2	Ring-Snap
58	104-6870	1	Shaft-Shift, Complete
59	104-1659	2	Knock-Pipe
60	104-1660	1	Ball-Steel
61	104-1661	1	Spring
62	104-1662	1	Gasket
63	104-1663	1	Bolt
64	104-1664	1	Gasket
65	104-1665	6	Bolt-Flange
66	104-1666	1	Bolt-Flange
68	104-6866	1	Bolt
69	104-6867	2	Collar
70	33004-00	11	Nut-HF
71	104-1671	2	Bracket-Axle
72	104-1672	1	Nut-Lock
73	104-1673	2	Washer-Spring
74	104-1674	2	Washer
75	104-1675	2	Hub
76	104-6860	1	Lever-Select
77	104-6869	2	Bolt-Flange
78	104-8649	10	Stud





## Right Hand Brake Assembly No. 104-6806

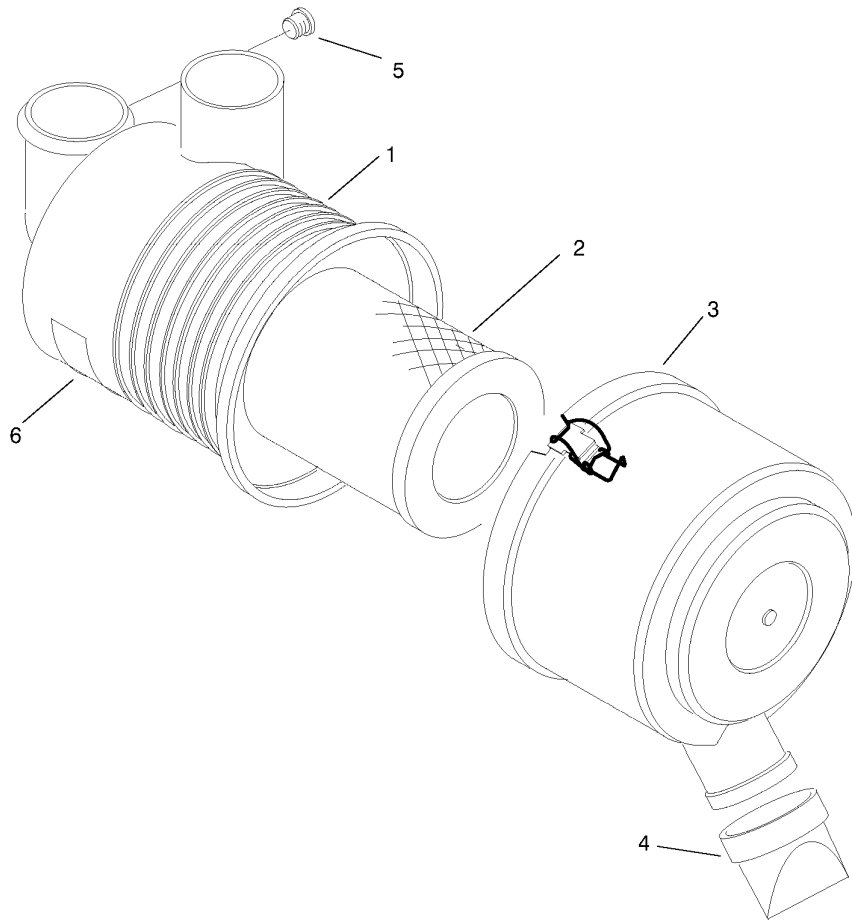
Ref	Part No.	Qty.	Description
1	100-8586	1	Backing Plate ASM
2	104-6820	1	Adjuster Kit
2:1	100-8585	2	Washer-Bellville
2:2	100-8588	2	Adjuster Lever ASM
2:3	100-8584	2	Cover-Dust
2:4		2	Washer
2:5		2	Bolt
3	104-6818	4	Shoe And Lining Kit
4	104-6819	1	Hardware Kit
4:1	100-8583	2	Shoe Hold Down Spring ASM
4:2	100-8581	2	Spring-Upper
4:3	100-8582	2	Spring-Lower
4:4		2	Bolt And Washer
5	104-6824	1	Wheel Cylinder ASM
6	104-6826	1	RH Park Brake Lever ASM



## Drivetrain Mounting, Battery and Air Cleaner Assembly

Ref	Part No.	Qty.	Description
1	104-8162	1	Battery
3	99-7428	1	Cable-Negative
4	99-7404	1	Cable-Positive
5	3234-5	2	Screw-HHF
6	99-7325	1	Cover-Electrical
7	99-7120	1	Air Cleaner ASM
8	104-8301	6	Nut-Flange, NI
9	3234-24	4	Screw-HHF
11	3256-35	2	Washer-Flat
12	95-2596	2	Mount-Iso
13	323-10	2	Screw-HH
14	2412-130	1	Clamp-Hose
15	104-6528	1	Hose-Intake
16	104-8300	4	Nut-Flange, NI
17	95-5806	1	Bracket-Mounting
18	3234-17	2	Screw-HHF
19	3296-2	4	Nut-Lock
20	32128-32	2	Nut-HHF
21	99-7051-03	1	Mount-Component
22	3234-21	2	Screw-Cap
23	107-0673	1	Harness-Wire, Main
24	32105-13	4	Screw-HWH
27	3255-8	2	Washer-Lock
28	3220-2	2	Nut-Jam

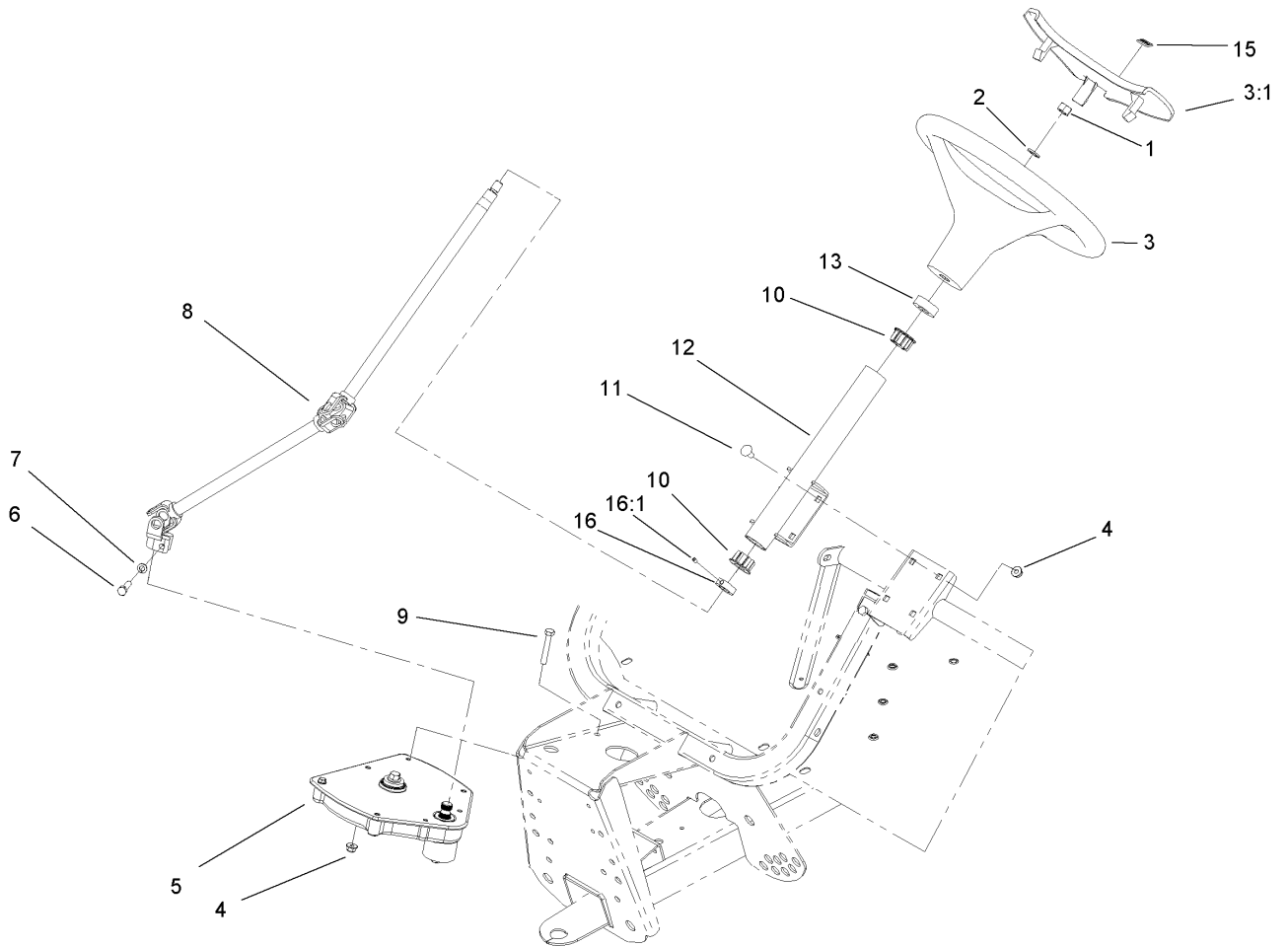
Ref	Part No.	Qty.	Description
29	32149-8	2	Nut-Keps
30	114-3315	1	Solenoid-12 Vdc
32	99-7230	1	Fitting-90 DEG
33	99-7842	1	Hose-Breather
34	99-7958	1	Decal-Information
36	2412-36	2	Clamp-Hose
37	92-5018-03	1	Clamp-Battery
38	95-4042	2	Hook-Retain, Battery
39	104-7201	2	Nut-HF
40	104-7102	1	Pad-Battery
42	99-7370-03	1	Bracket-Ignition
45	3234-13	2	Screw-HHF
46	3296-42	2	Nut-Lock, NI
47	68-0610	2	Spacer
50	66-8800	1	Relay



### Air Cleaner Assembly No. 99-7120

Ref	Part No.	Qty.	Description
❶		1	Body
2	108-3811	1	Filter-Air
3	94-3652	1	Cover ASM
4	87-9400	1	Valve-Vacuator
❷		1	Plug
❸		1	Marking

Ref	Part No.	Qty.	Description

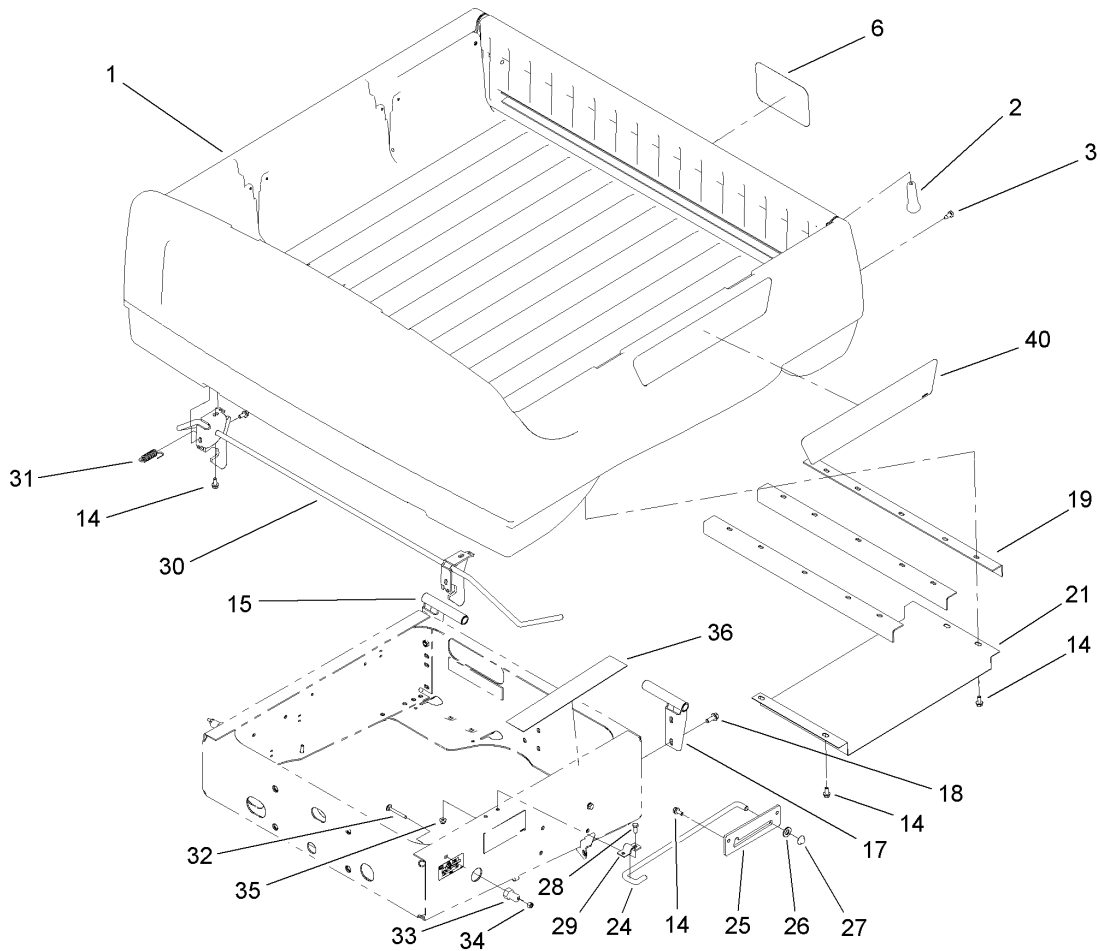


## Upper Steering Assembly

Ref	Part No.	Qty.	Description
1	110-8815	1	Nut-Hex
2	3256-26	1	Washer-Flat
3	98-1471	1	Wheel-Steering
3:1	98-1468	1	Cover-Wheel, Steering
4	104-8300	7	Nut-Flange, NI
5	99-7660	1	Steering Gearbox ASM
6	48-7730	1	Screw-HH
7	3253-4	1	Washer-Lock
8	99-7653	1	Shaft-Steering
9	322-10	3	Screw-HH
10	93-1146	2	Bushing-Steering, Upper
11	3230-1	4	Bolt-CARR
12	99-7651-03	1	Column-Steering
13	21-9260	1	Cover-Dust
15	98-1459	1	Decal
16	111383	1	Collar
16:1	3245-32	1	Screw-HSH

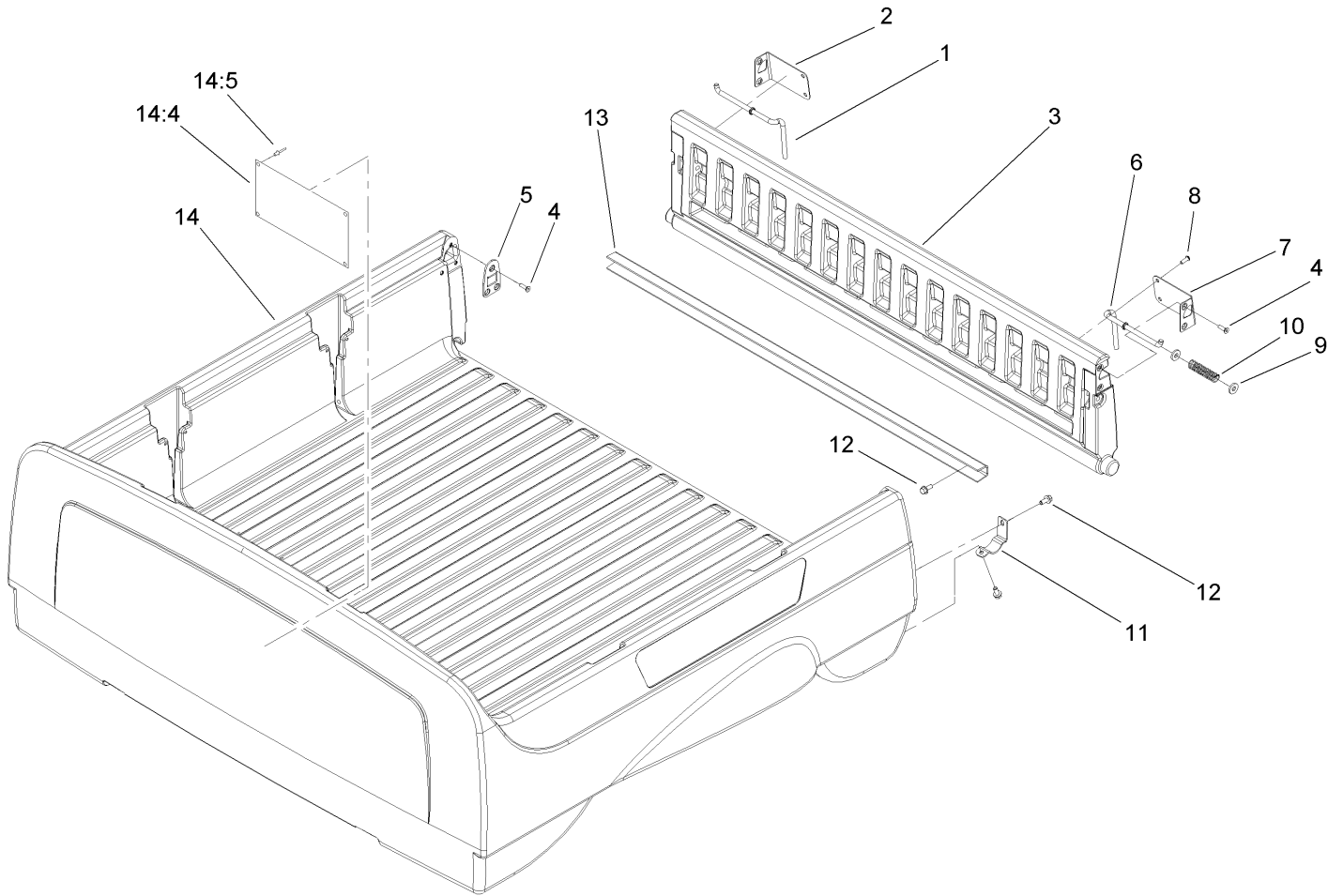
--	--	--	--





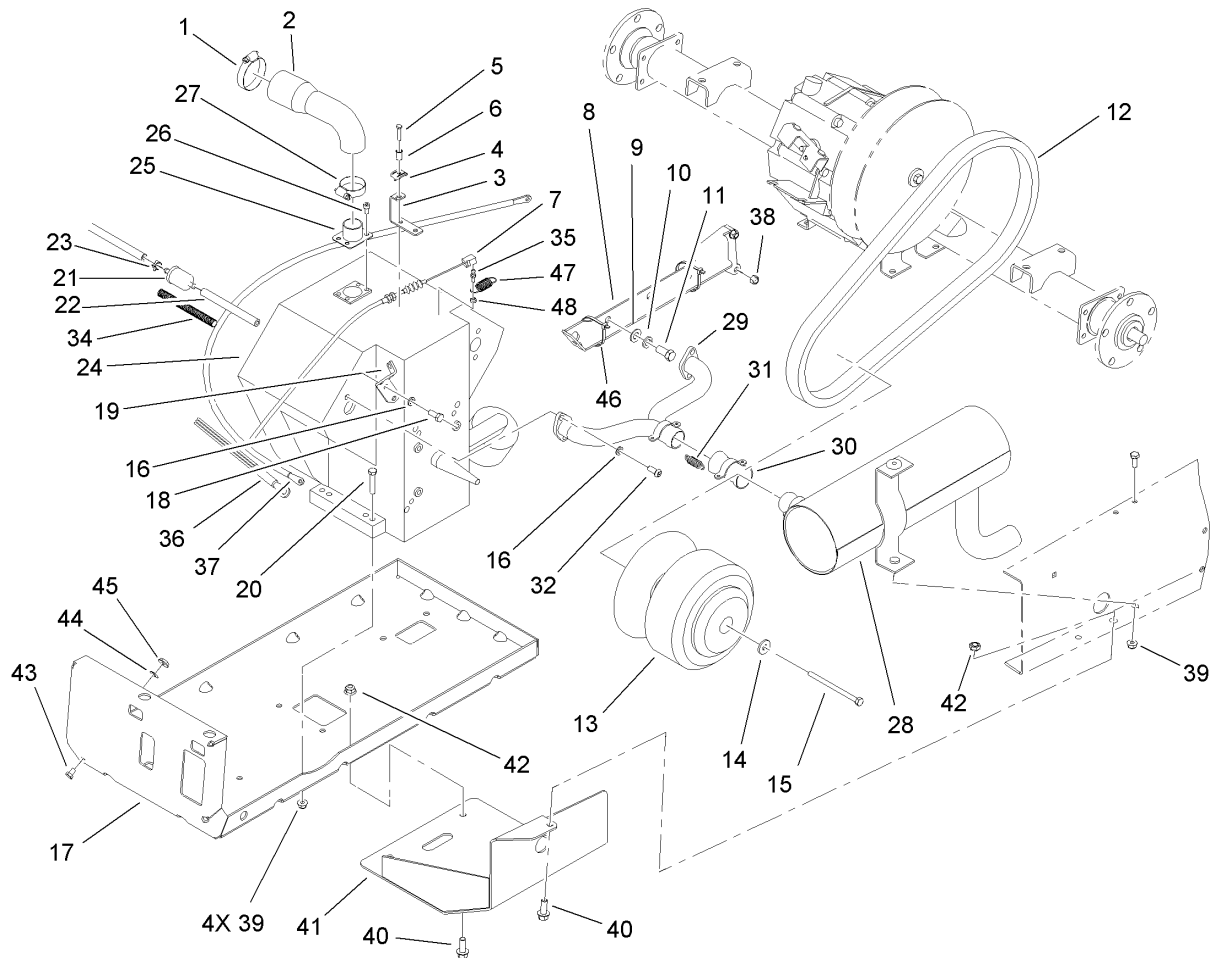
## Box and Tailgate Installation Assembly

Ref	Part No.	Qty.	Description
1		1	Box And Tailgate ASM
2	99-7984	2	Knob-Soft Grip, Push-On
3	87-8460	2	Bumper-Rubber
6	104-7213	1	Decal
14	3234-5	18	Screw-HHF
15	99-7309-03	1	RH Pivot Bracket ASM
17	99-7308-03	1	LH Pivot Bracket ASM
18	3234-11	4	Screw-HHF
19	99-7864-03	3	Brace-Box
21	99-7870	1	Shield-Heat
24	99-7895	1	Rod-Prop
25	99-7894	1	Bracket-Rod, Prop
26	3256-26	1	Washer-Flat
27	32112-14	1	Nut-Push
28	3234-17	2	Screw-HHF
29	99-7896	1	Bracket-U, Prop Rod
30	104-7244	1	Rod-Latch
31	5-7290	2	Spring-Tension
32	3230-7	2	Screw-CARR
33	104-7248	2	Pin-Latch
34	3296-29	2	Nut-Lock, NI
35	104-8300	1	Nut-Flange, NI
36	104-6859	1	Shield-Heat
40	104-7266	2	Decal-Bed

## Box and Tailgate Assembly

Ref	Part No.	Qty.	Description
1	99-7860	1	Rod-Latch, Right
2	99-7858	1	Bracket-Tailgate Latch, Right
3	99-7893	1	Tailgate ASM
4	99-7334	10	Screw
5	99-7852	2	Plate-Striker
6	99-7859	1	Rod-Latch, Left
7	99-7857	1	Bracket-Tailgate Latch, Left
8	99-7335	4	Screw
9	99-7861	4	Washer-Latch
10	61-8880	2	Spring
11	99-7286	2	Bracket-Pivot, Tailgate
12	3234-5	10	Screw-HHF
13	99-7867	1	Channel-Tailgate
14	104-7203	1	Box ASM
14:4	99-7954	1	Decal-No Riders
14:5	3290-415	4	Rivet



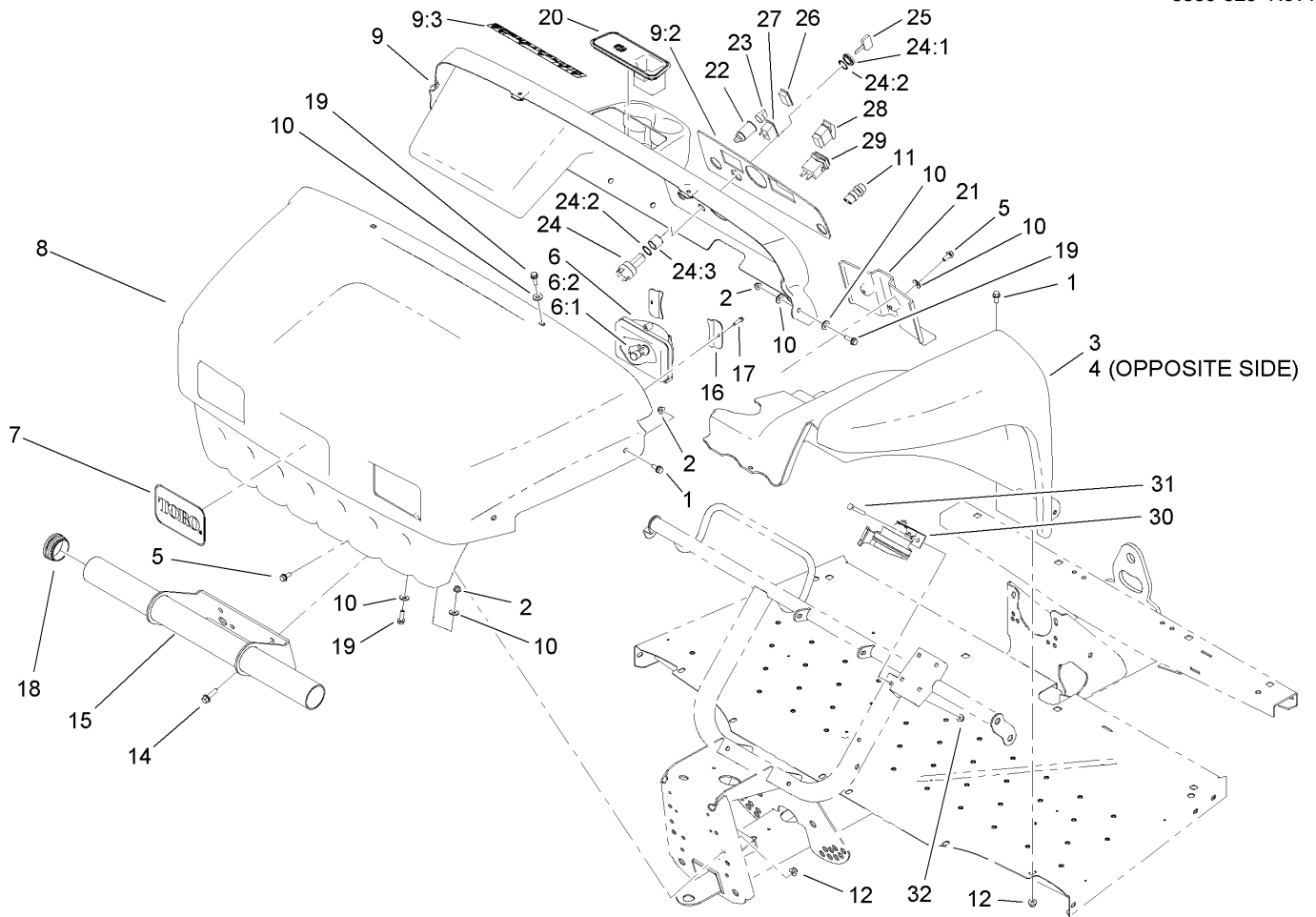
## Engine and Clutch Assembly

Ref	Part No.	Qty.	Description
1	2412-130	1	Clamp-Hose
2	99-7106	1	Hose-Intake
3	107-0319	1	Bracket-Cable
4	81-1690	1	Clamp-Cable
5	3290-432	1	Screw-HH
6	32148-14	1	Insert-Threaded
7	108-7017	1	Cable-Accelerator
8	104-6631-03	1	Torque Arm ASM
9	3256-25	2	Washer-Flat
10	3253-6	2	Washer-Lock
11	324-4	2	Screw-HH
12	99-7144	1	Belt-Drive
13	99-7939	1	Clutch-Drive
14	5-0838	1	Washer
15	99-7201	1	Screw-HH
16	3253-4	6	Washer-Lock
17	104-6433-03	1	Mount-Engine
18	66-3160	2	Screw-Cap
19	104-7152	1	Bracket-Cable, Throttle
20	322-8	4	Screw-HH
21	94-2690	1	Filter-Fuel
22	109-0678	1	Hose-Fuel
23	2412-98	3	Clamp

Ref	Part No.	Qty.	Description
24	104-6649	1	Engine-Briggs & Stratton, 303447-1319-E1
25	99-7083	1	Bracket-Intake
26	99-7202	4	Screw-HSH
27	2412-3	1	Clamp-Hose
28	104-6475	1	Muffler-Engine
29	104-6476	1	Manifold-Engine
30	104-6477	1	Coupler-Exhaust
31	104-6478	4	Spring-Coupler, Exhaust
32	3274-96	4	Screw-HSBH
34	99-7377	1	Conduit-Line, Fuel
35	99-7847	1	Ball-Stud
36	99-7426	1	Harness-Wire, Engine
37	28-3894	1	Positive Wire ASM
38	33024-00	2	Nut-Lock
39	104-8300	5	Nut-Flange, NI
40	3234-11	3	Screw-HHF
41	104-6408-03	1	Clutch Guard ASM
42	104-8301	3	Nut-Flange, NI
43	321-4	1	Screw-HH
44	3255-8	1	Washer-Lock
45	32128-32	1	Nut-HHF
46	3290-379	2	Tie-Cable
47	71-5470	1	Spring-Brake



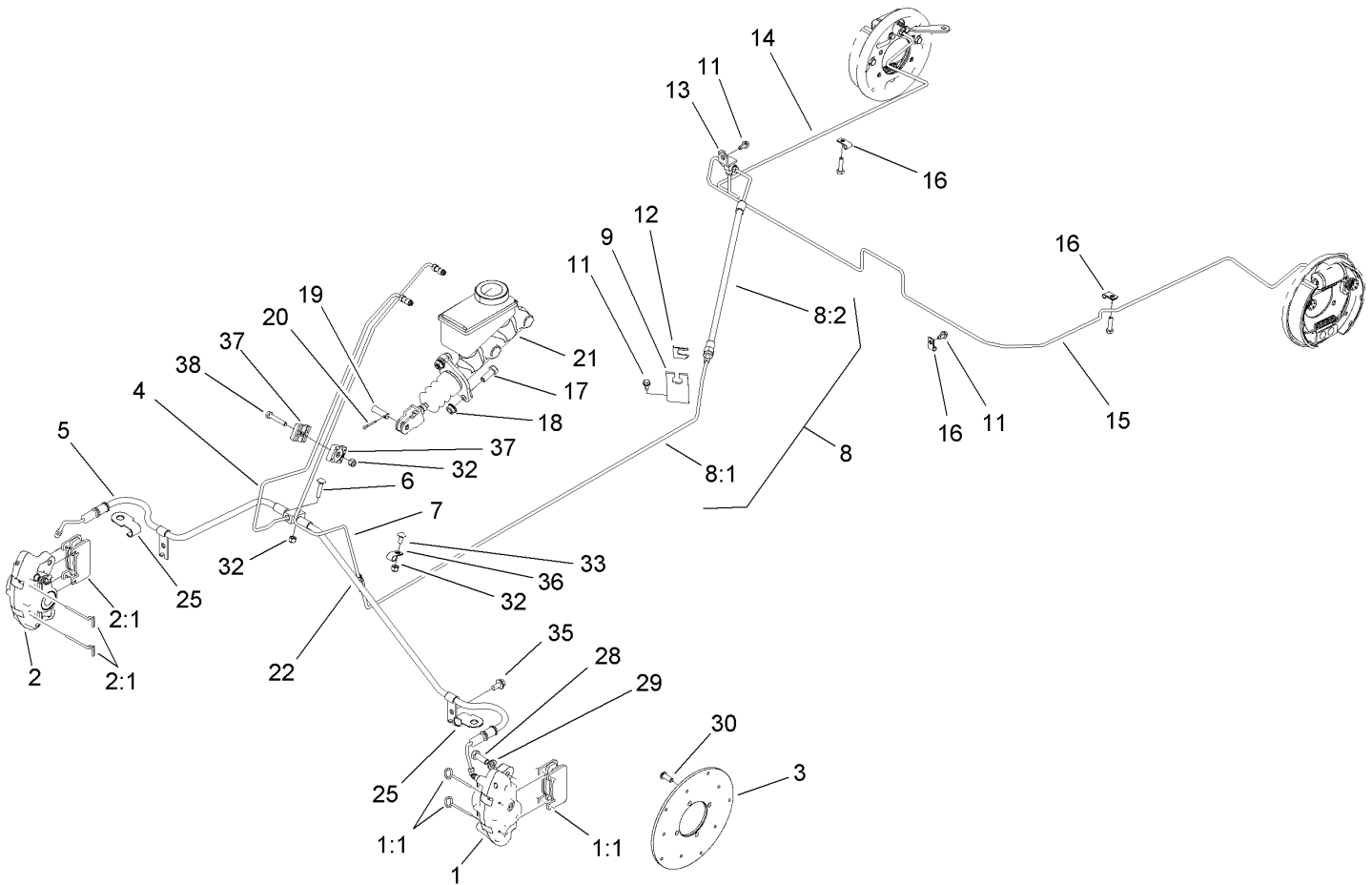




## Hood and Fender Assembly

Ref	Part No.	Qty.	Description
1	3234-5	12	Screw-HHF
2	104-8300	14	Nut-Flange, NI
3	104-7078	1	LH Fender ASM
4	104-7079	1	RH Fender ASM
5	104-7206	4	Screw-HHF
6	87-2120	2	Headlight
6:1	95-0909	1	Lamp-12 Volt
6:2	87-6330	1	Lens-Headlight
7	62-5550	1	Decal
8	99-7379	1	Hood ASM
9	107-0705	1	Dash ASM
9:2	107-0704	1	Decal-Warning
9:3	104-6581	1	Decal-Danger
10	3256-3	10	Washer-Flat
11	18-2830	1	Button-Horn
12	104-8301	6	Nut-Flange, NI
14	32144-67	4	Screw
15	99-7840-03	1	Bumper-Tube
16	99-7947	4	Bracket-Headlight
17	99-7331	4	Screw-HWH
18	2410-42	2	Cap-End
19	3234-17	6	Screw-HHF
20	104-6930	1	Plug-Rubber
21	104-7075	1	Cover-Channel

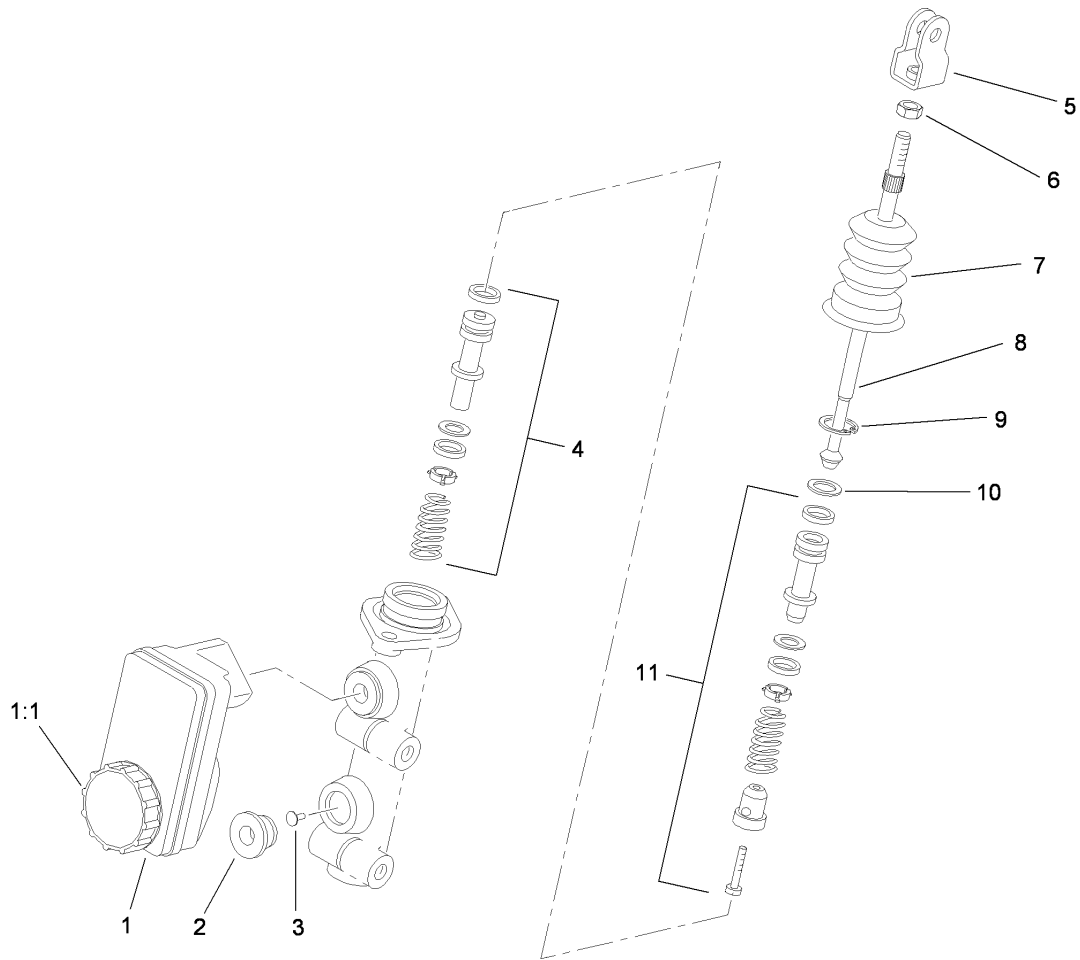
Ref	Part No.	Qty.	Description
22	99-7411	1	Point-Power
23	99-7416	1	Cap
24	104-6929	1	Switch-Ignition
24:1	104-7042	1	Nut-Switch, Plastic
24:2	104-7019	2	Washer-Lock, Internal
24:3	104-7021	1	Spacer-Switch
25	99-7418	2	Key-Ignition
26	99-7420	1	Plug-Hole
27	99-7410	1	Indicator-Light, Low-Oil Pressure
28	95-8999	1	Switch
29	94-4208	1	Hourmeter
30	116749	1	Horn
31	322-11	1	Screw-HH
32	104-8300	1	Nut-Flange, NI



## Hydraulic Brake Assembly

Ref	Part No.	Qty.	Description
1	107-0361	1	Caliper-LH
1:1	107-0708	1	Friction Pad And Pin Kit
2	107-0362	1	Caliper-RH
2:1	107-0708	1	Friction Pad And Pin Kit
3	104-6891	2	Rotor
4	104-6798	1	Tube-Brake, Front
5	104-7256	1	Front Hose ASM
6	3229-3	1	Screw-CARR
7	104-6793	1	Tube-Brake, Rear
8		1	Rear Brake Hose ASM
8:1	104-6794	1	Tube-Brake, Rear
8:2	104-6795	1	Hose-Brake, Rear
9	104-6799	1	Bracket-Hose, Brake
11	12-3270	3	Screw
12	104-7092	1	Clip
13	87-3560	1	Tee
14	104-6796	1	Tube-Brake, Rear (RH)
15	110-2604	1	Tube-Brake, Rear (LH)
16	2412-72	3	Clip-Closed, Insulated
17	323-6	2	Screw-HH
18	3290-357	2	Nut-HHF, Whiz
19	283-2	1	Pin-Clevis
20	3272-10	1	Pin-Cotter
21	104-6782	1	Cylinder-Master

Ref	Part No.	Qty.	Description
22	87-3570	1	Union
25	104-7073	2	Bracket-Hose
28	323-6	4	Screw-HH
29	3253-21	4	Washer-Lock
30	3274-55	8	Screw-HSBH
32	3296-42	3	Nut-Lock, NI
33	3229-11	1	Screw-CARR
35	32144-14	2	Screw-HWHTF
36	2412-89	1	Clamp
37	87-7660	2	Clamp-Tube
38	321-9	1	Screw-HH

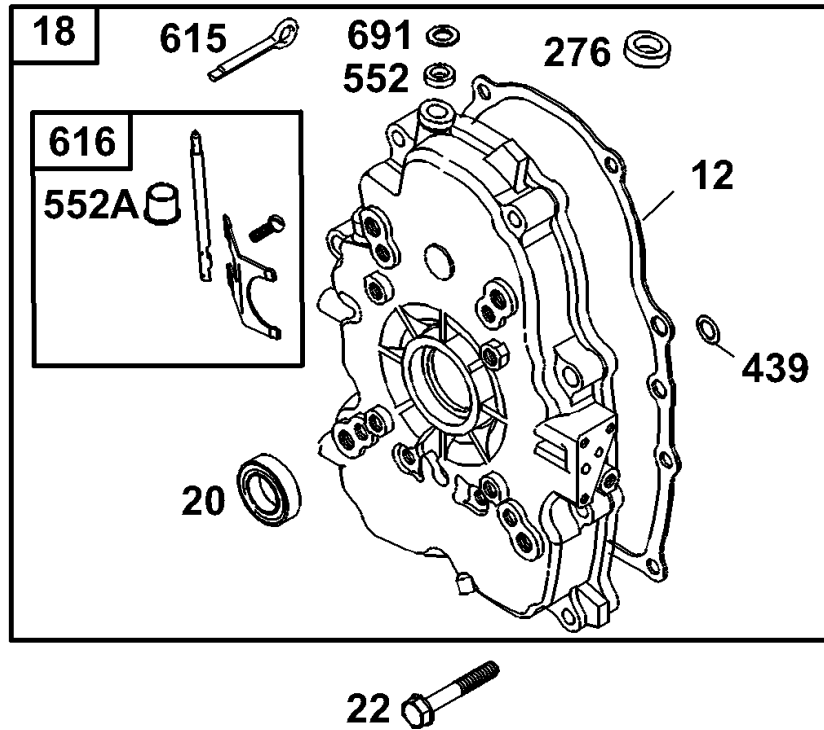


## Master Cylinder Assembly No. 104-6782

Ref	Part No.	Qty.	Description
1	104-6845	1	Reservoir ASM
1:1	92-4112	1	Cap ASM
2	93-8971	2	Seal-Port, Flange
3	92-4103	1	Pin-Stop
4	92-4102	1	Secondary Piston ASM
5	92-4110	1	Clevis
6	21-0360	1	Nut-Hex
7	94-5209	1	Cover-Dust
8	94-5210	1	Rod-Push
9	92-4109	1	Ring-Snap
10	92-4108	1	Retainer-Washer
11	92-4101	1	Primary Piston ASM

--	--	--	--

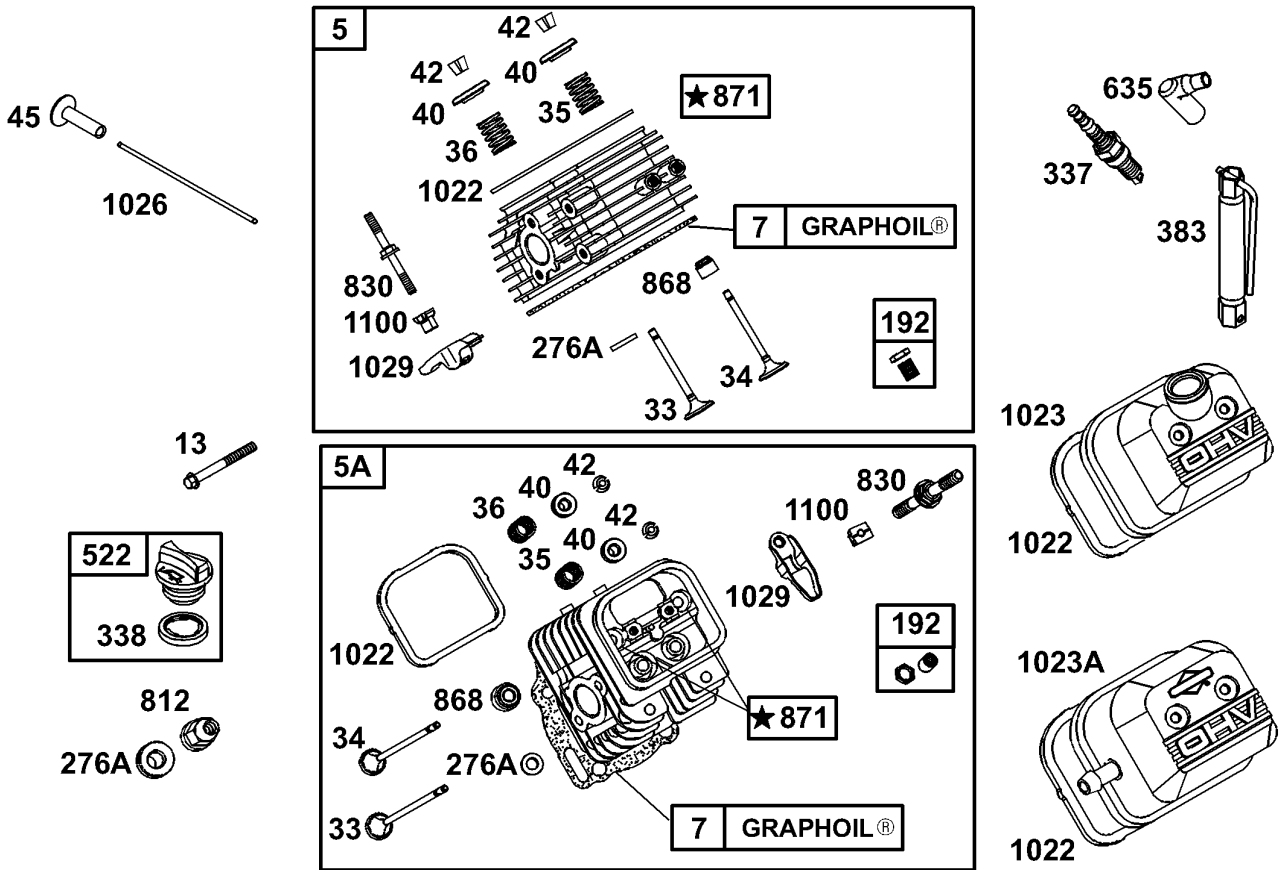




Assemblies include all parts shown in frames.

## Crankcase Assembly Briggs and Stratton 303447-1319-E1

Ref	Part No.	Qty.	Description				
12	691684	1	Gasket-Crankcase				
18	808847	1	Cover-Crankcase				
20	805049	1	Seal-Oil				
22	692540	1	Screw				
276	690704	1	Washer-Sealing				
439	692154	1	Seal-O Ring				
552	690701	1	Bushing-Crank, Governor				
552A	806686	1	Bushing-Crank, Governor				
615	691550	1	Retainer-Shaft, Governor				
616	806685	1	Crank-Governor				
691	690680	1	Seal-Shaft, Governor				

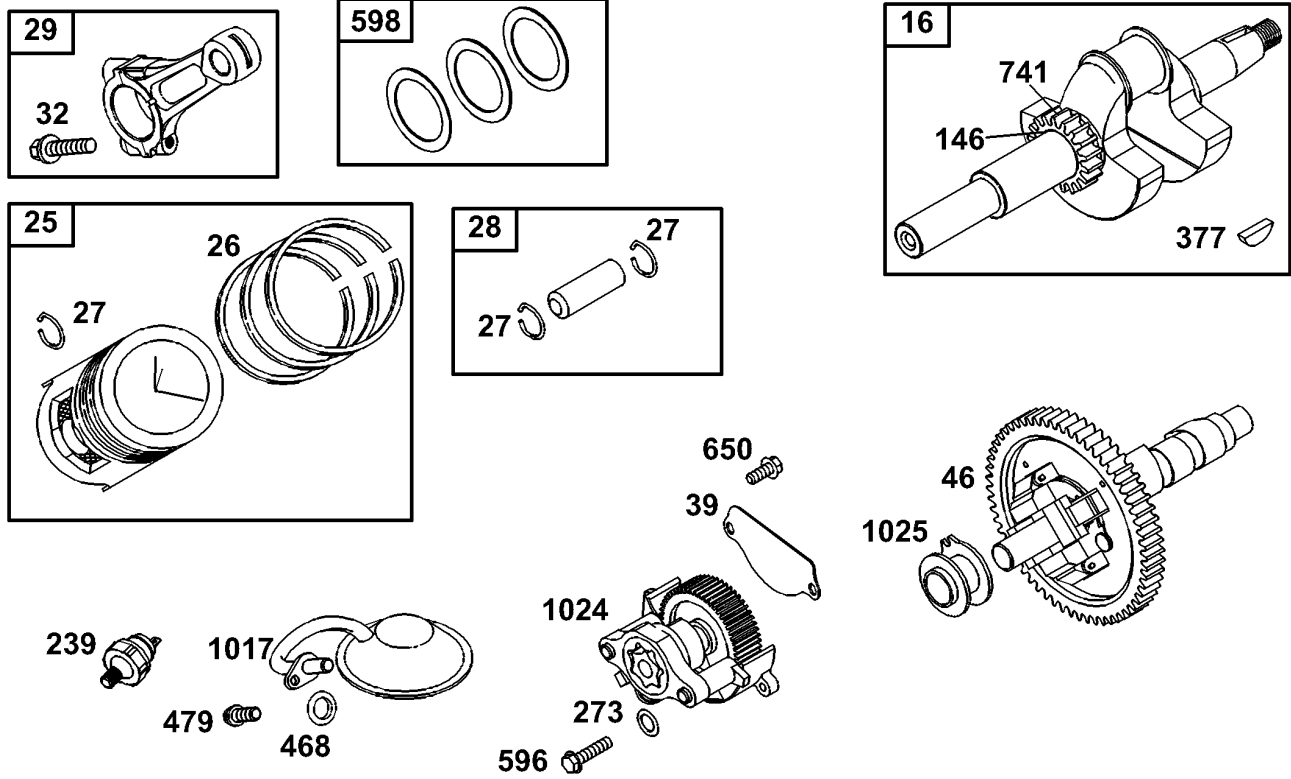


Assemblies include all parts shown in frames.

## Cylinder Head and Cover Assembly Briggs and Stratton 303447-1319-E1

Ref	Part No.	Qty.	Description
5	808381	1	Head-Cylinder (Cylinder No. 1)
5A	808382	1	Head-Cylinder (Cylinder No. 2)
2 5 7	806085	1	Gasket-Head, Cylinder
5	692059	1	Screw
5	807681	1	Valve-Exhaust
5	807680	1	Valve-Intake
5	692084	1	Spring-Valve
5	692084	1	Spring-Valve
5	692058	1	Retainer-Valve
5	807683	1	Keeper-Valve
5	690977	1	Tappet-Valve
5	807623	1	Adjuster-Arm, Rocker
2 5 276A	691766	1	Washer-Sealing
5	491055	1	Plug-Spark
2 5 338	691312	1	Gasket-Dipstick
5	19374	1	Wrench-Spark Plug
5	491832	1	Plug-Fill, Dipstick
5	692076	1	Boot-Spark Plug
5	692055	1	Nut
5	691544	1	Stud-Rocker Arm
2 5 868	691963	1	Seal-Valve

Ref	Part No.	Qty.	Description
5 871	692057	1	Bushing-Guide, Valve
2 5 1022	806039	1	Gasket-Cover, Rocker
5	690758	1	Cover-Valve
5 1023A	691558	1	Cover-Valve
5 1026	691836	1	Rod-Push
5	691758	1	Rod-Push
5 1029	691543	1	Arm-Rocker
5 1100	690973	1	Pivot-Arm, Rocker

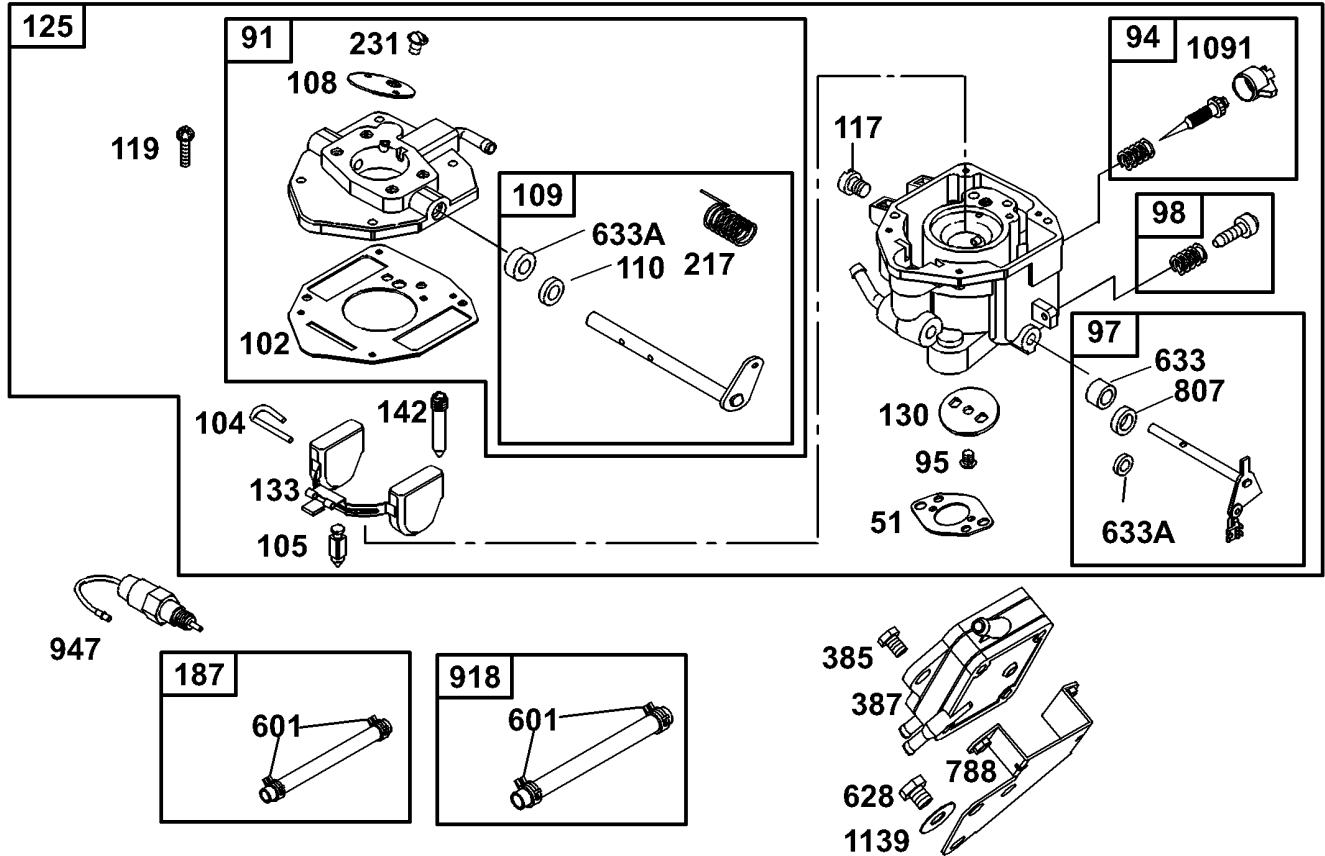


Assemblies include all parts shown in frames.

## Crankshaft, Piston and Oil Pump Assembly Briggs and Stratton 303447-1319-E1

Ref	Part No.	Qty.	Description
16	692163	1	Crankshaft
25	807619	1	Piston ASM (Standard)
5	807807	1	Piston ASM (.010 Oversize)
5	807809	1	Piston ASM (.020 Oversize)
5	807811	1	Piston ASM (.030 Oversize)
26	807620	1	Ring Set (Standard)
5	807808	1	Ring Set (.010 Oversize)
5	807810	1	Ring Set (.020 Oversize)
5	807812	1	Ring Set (.030 Oversize)
27	690683	1	Lock-Pin, Piston
28	807621	1	Pin-Piston
29	807900	1	Rod-Connecting (Standard)
5	807809	1	Piston ASM (.020 Oversize)
32	690698	1	Screw
39	690745	1	Deflector-Oil
46	691557	1	Camshaft
146	691639	1	Key-Timing
239	690233	1	Switch-Pressure, Oil
273	690681	1	Seal-O Ring
377	808095	1	Key-Woodruff
468	690690	1	Seal-O Ring
479	692537	1	Screw
596	691492	1	Screw
598	807625	1	Shim-Play, End

Ref	Part No.	Qty.	Description
650	692539	1	Screw
741	691530	1	Gear-Timing
1017	690900	1	Screen-Pump, Oil
1024	693185	1	Pump-Oil
1025	690689	1	Spool-Governor



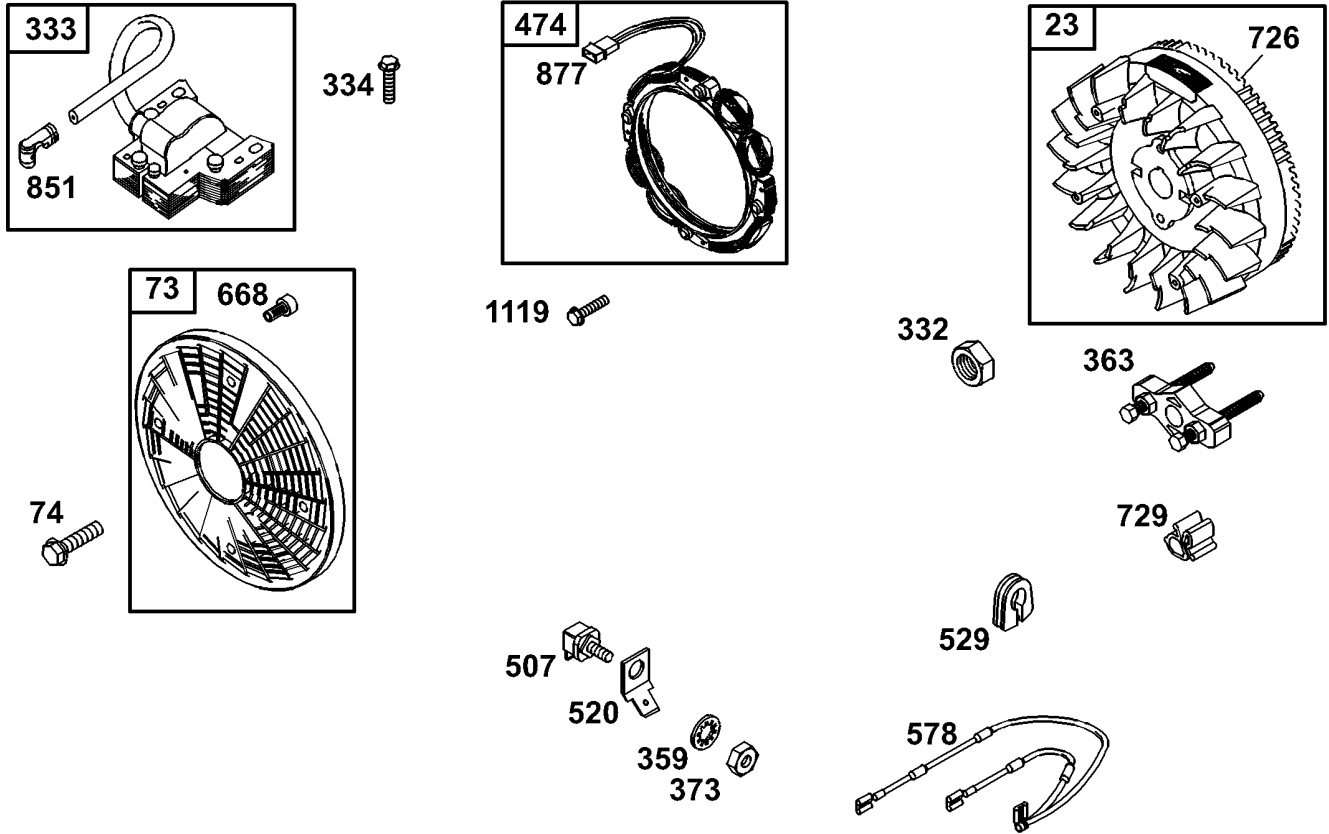
Assemblies include all parts shown in frames.

## Carburetor and Fuel Pump Assembly Briggs and Stratton 303447-1319-E1

Ref	Part No.	Qty.	Description
2 4 51	691694	1	Gasket-Intake
5			
91	808964	1	Body-Carburetor, Upper
4 94	808257	1	Idle Mixture Kit
95	690718	1	Screw
97	809007	1	Shaft-Throttle
98	808177	1	Idle Speed Kit
4 9102	692077	1	Gasket-Body, Carburetor
4 9104	690723	1	Pin-Hinge, Float
4 9105	692078	1	Valve-Needle, Float
9108	690719	1	Valve-Choke
9109	809062	1	Shaft-Choke
9110	806861	1	Washer
9117	806986	1	Jet-Main
9119	690720	1	Screw
9125	809092	1	Carburetor
9130	690726	1	Valve-Throttle
9133	806961	1	Float-Carburetor
9142	806987	1	Nozzle-Carburetor
9187	691050	1	Line-Fuel (Cut To Required Length)
9217	806862	1	Spring-Return, Choke
9231	690718	1	Screw
9385	693169	1	Screw

Ref	Part No.	Qty.	Description
9387	808656	1	Pump-Fuel
9601	691038	1	Clamp-Hose
9628	806660	1	Screw
4 9633	806131	1	Seal-Shaft, Choke Throttle
4 9633A	690722	1	Seal-Shaft, Choke Throttle
9788	691559	1	Bracket-Pump, Fuel
4 9807	805557	1	Collar-Throttle
9918	393815	1	Line-Vacuum
9947	692094	1	Solenoid-Fuel
4 91091	691516	1	Cap-Limiter
91139	806497	1	Washer





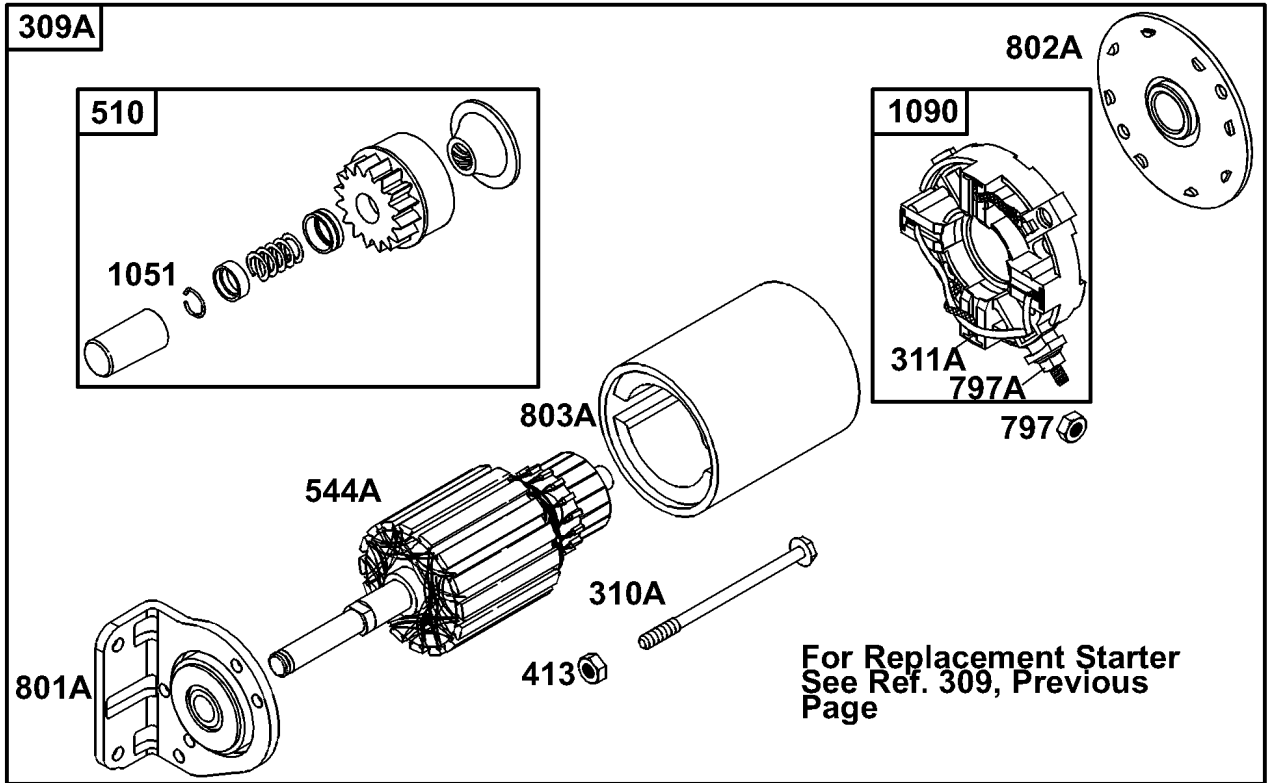
Assemblies include all parts shown in frames.

## Alternator Assembly Briggs and Stratton 303447-1319-E1

Ref	Part No.	Qty.	Description
23	808766	1	Flywheel
73	494439	1	Screen-Rotating
74	691647	1	Screw
171	810056	1	Nut
284	93410	1	Screw
332	690887	1	Nut
333	492341	1	Armature-Magneto
334	692066	1	Screw
359	691077	1	Washer
363	19203	1	Puller-Flywheel
373	691612	1	Nut
474	691064	1	Alternator
507	691972	1	Insulator
520	691084	1	Terminal-Ground
529	690744	1	Grommet
578	692319	1	Wire ASM
668	691500	1	Spacer
726		1	Gear-Ring
729	690586	1	Clip-Wire
851	493880	1	Terminal-Spark Plug
877	399916	1	Connector-Wire, Alternator
1119	691552	1	Screw





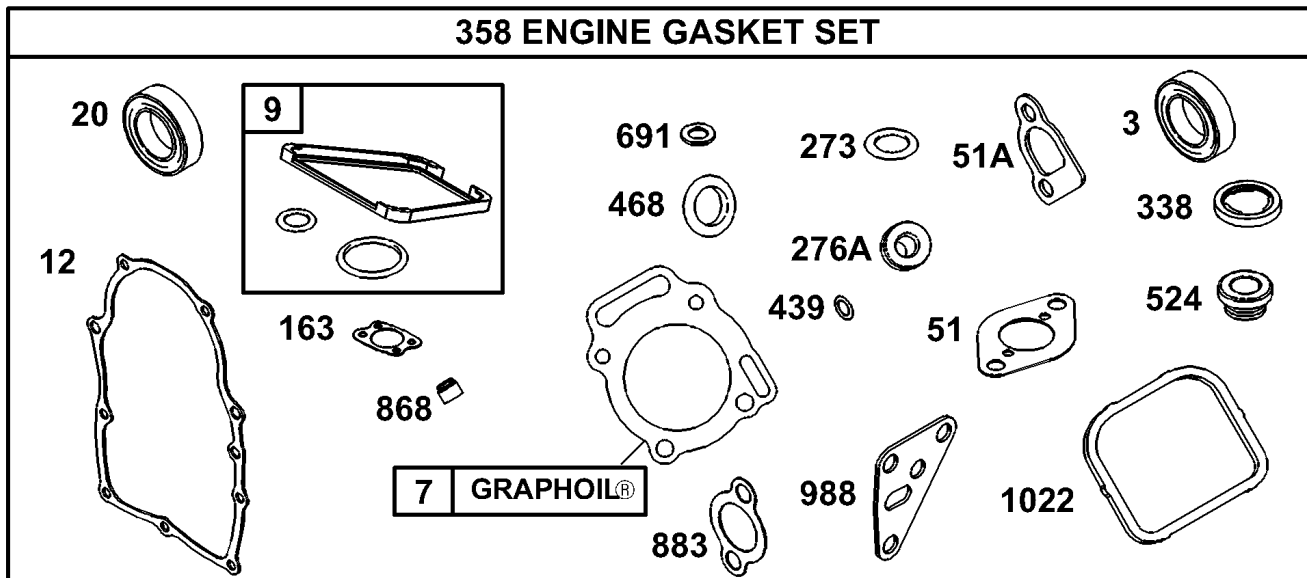



Assemblies include all parts shown in frames.

## Replacement Starter Motor Assembly Briggs and Stratton 303447-1319-E1

Ref	Part No.	Qty.	Description
309A		1	Motor-Starter (For Replacement Starter, See Ref. 309, Previous Page)
310A	690323	1	Bolt
311A	497608	1	Brush Set
413	693587	1	Nut
510	496881	1	Drive-Starter
544A	693548	1	Armature-Starter
697	692062	1	Screw
797	691029	1	Nut
797A	693167	1	Nut
801A	808778	1	Cap-Drive
802A	691286	1	Cap-End
803A	693547	1	Housing-Starter
1051	691124	1	Ring-Lock
1090	691293	1	Retainer-Brush

--	--	--	--

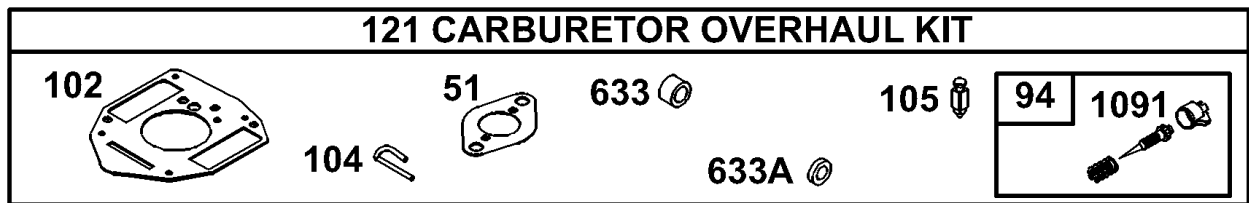
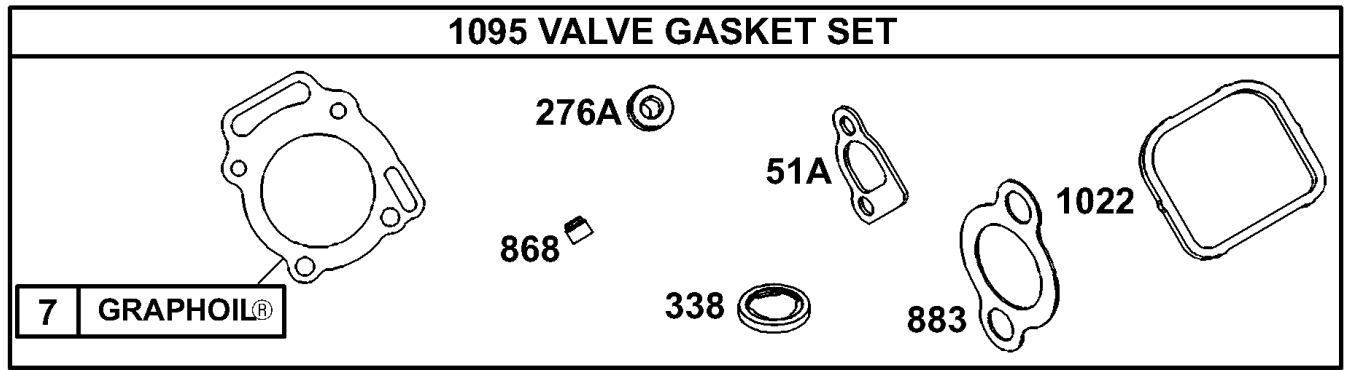


Assemblies include all parts shown in frames.

## Engine Gasket Set Briggs and Stratton 303447-1319-E1

Ref	Part No.	Qty.	Description
253	805101	1	Seal-Oil
257	806085	1	Gasket-Head, Cylinder
5			
259	807893	1	Breather Gasket
2512	691684	1	Gasket-Crankcase
2520	805049	1	Seal-Oil
2451	691694	1	Gasket-Intake
5			
2551A	692035	1	Gasket-Intake
5			
25163	692081	1	Gasket-Cleaner, Air
25273	690681	1	Seal-O Ring
25276A	691766	1	Washer-Sealing
5			
25338	691312	1	Gasket-Dipstick
5			
5358	808390	1	Engine Gasket Set
5439	692154	1	Seal-O Ring
25468	690690	1	Seal-O Ring
25524	693172	1	Seal-Tube, Dipstick
25691	690680	1	Seal-Shaft, Governor
25868	691963	1	Seal-Valve
5			
25883	691613	1	Gasket-Exhaust
5			
25988	692063	1	Gasket-Adapter, Oil Filter

Ref	Part No.	Qty.	Description
251022	806039	1	Gasket-Cover, Rocker
5			



Assemblies include all parts shown in frames.

## Valve Gasket Set and Carburetor Overhaul Kit Briggs and Stratton 303447-1319-E1

Ref	Part No.	Qty.	Description
247	806085	1	Gasket-Head, Cylinder
5			
2451	691694	1	Gasket-Intake
5			
251A	692035	1	Gasket-Intake
5			
4594	808257	1	Idle Mixture Kit
45102	692077	1	Gasket-Body, Carburetor
45104	690723	1	Pin-Hinge, Float
45105	692078	1	Valve-Needle, Float
5121	809023	1	Carburetor Overhaul Kit
25276A	691766	1	Washer-Sealing
5			
25338	691312	1	Gasket-Dipstick
5			
45633	806131	1	Seal-Shaft, Choke Throttle
45633A	690722	1	Seal-Shaft, Choke Throttle
25868	691963	1	Seal-Valve
5			
25883	691613	1	Gasket-Exhaust
5			
251022	806039	1	Gasket-Cover, Rocker
5			
451091	691516	1	Cap-Limiter
51095	808392	1	Valve Gasket Set

# Attachments and Accessories

## For 12004TC - Twister 1600 Utility Vehicle

Product Name	Model/Part
Electric Bed Lift Kit .....	07262
Roll-Over Protection System .....	07276
Receiver Hitch Kit .....	07278
Stake Side Kit .....	07290
Snow Plow-Mid Duty .....	07292
Folding Windshield Kit .....	07293
Windshield Kit .....	07294
Canopy Kit .....	07297
Portable Refreshment Center .....	07298
Horn Kit .....	104-6663
Brake and Taillights (Rear lights, side reflectors) .....	104-6697
Signal Lights (Front marker lights / turn signal control) .....	104-6953
Heavy Duty Front Bumper .....	19050
Operator Shield (for front of bed) .....	19052
Front Brush Guard / Bumper .....	19062
Electric Harness Kit .....	99-7924

# NOTES

