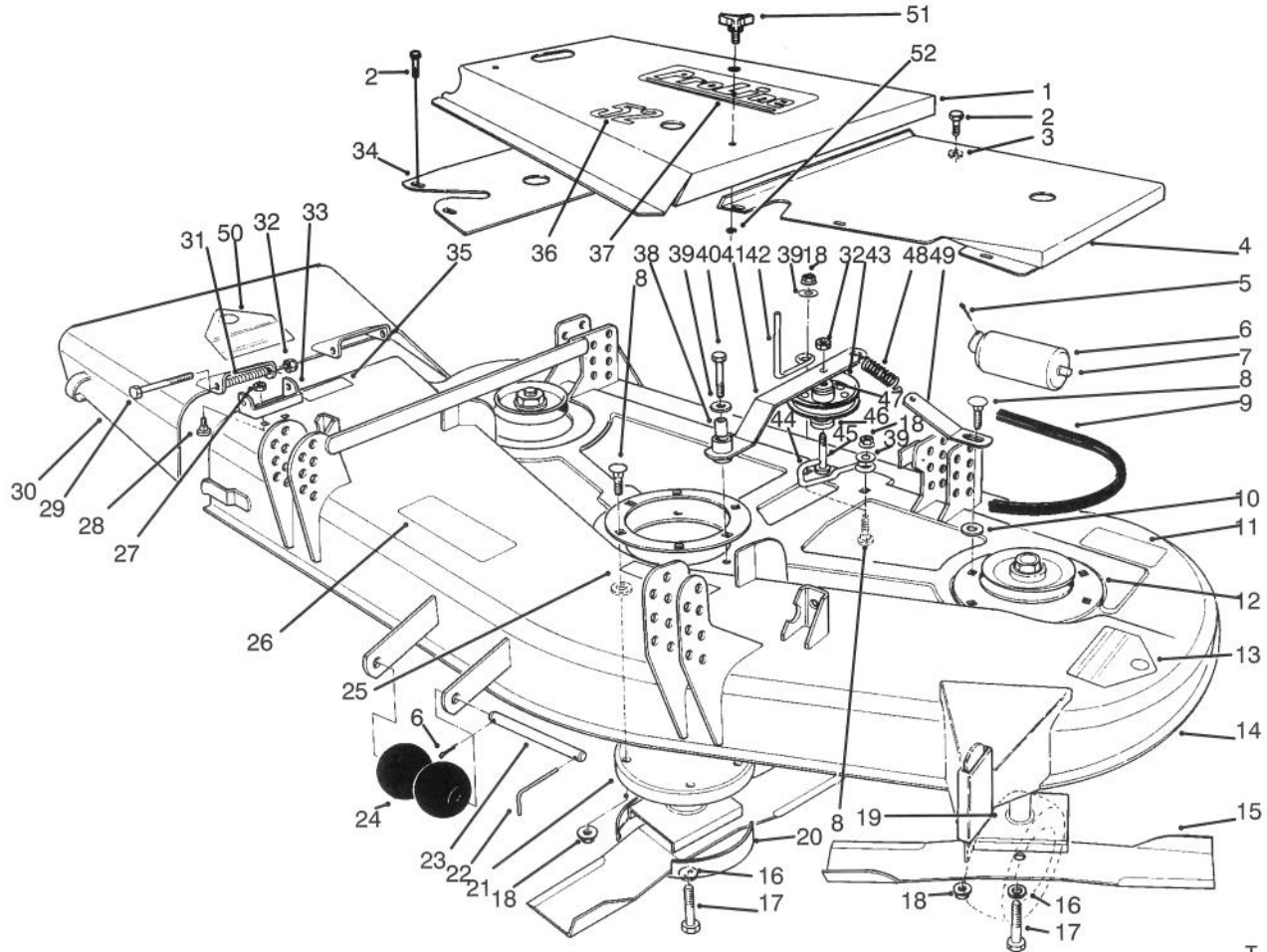




**MODEL NO. 30152-10001
Thru 490001 & UP**

**PARTS
CATALOG**

52" CUTTING UNIT WIDE AREA MOWER
Proline

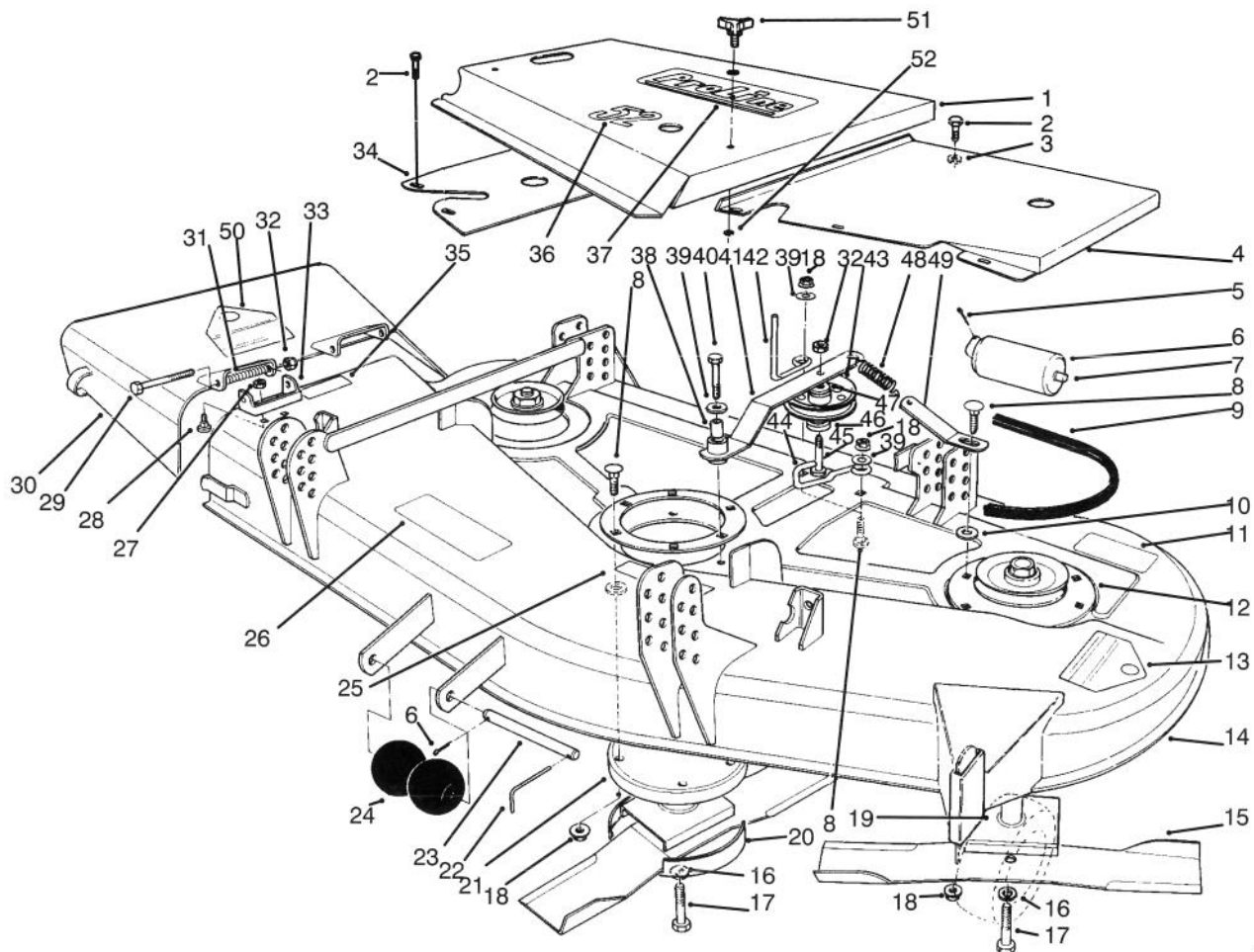


T-0221

CUTTING UNIT ASSEMBLY

Ref. No.	Part No.	Description	No. Used
1	82-5410	Cover - Center	1
2	46-8560	Screw - Self Tapping	7
3	3256-22	Washer	1
4	51-3910	Cover - L.H.	1
5	3272-11	Pin - Cotter	3
6	36-1740	Roller - Deck	2
7	40-0340	Shaft - Roller	2
8	3231-22	Bolt - Carriage	20
9	27-1160	Belt - Deck	1
10	3256-2	Washer	A/R
11	68-8340	Decal - Blade Bolt Torque	1
12	27-7680	Ring - Deck Support	3
13	43-8480	Decal - Danger	1
14	14-2339	Deck Assembly (Incl. Ref. #11,13,25,26,35 & 50)	1

Ref. No.	Part No.	Description	No. Used
15	27-0990	Blade	3
*	56-2390	Blade - High Sail (Optional)	3
16	3253-27	Washer - Lock	3
17	44-2200	Bolt - Blade	3
18	32128-21	Nut - Flange Lock	21
19	27-0870	Spindle - Drive	2
20	72-9361	Cup - Scalp	3
21	54-7781	Spindle Assembly - Drive	1
22	57-0690	Pin - Special	1
23	40-6400	Shaft - Roller	1
24	29-4820	Roller - Deck	2
25	67-5360	Decal - Shield Missing	1
26	66-1340	Decal - Danger	1
27	32152-1	Nut - Lock	4
28	3230-18	Bolt - Carriage	4

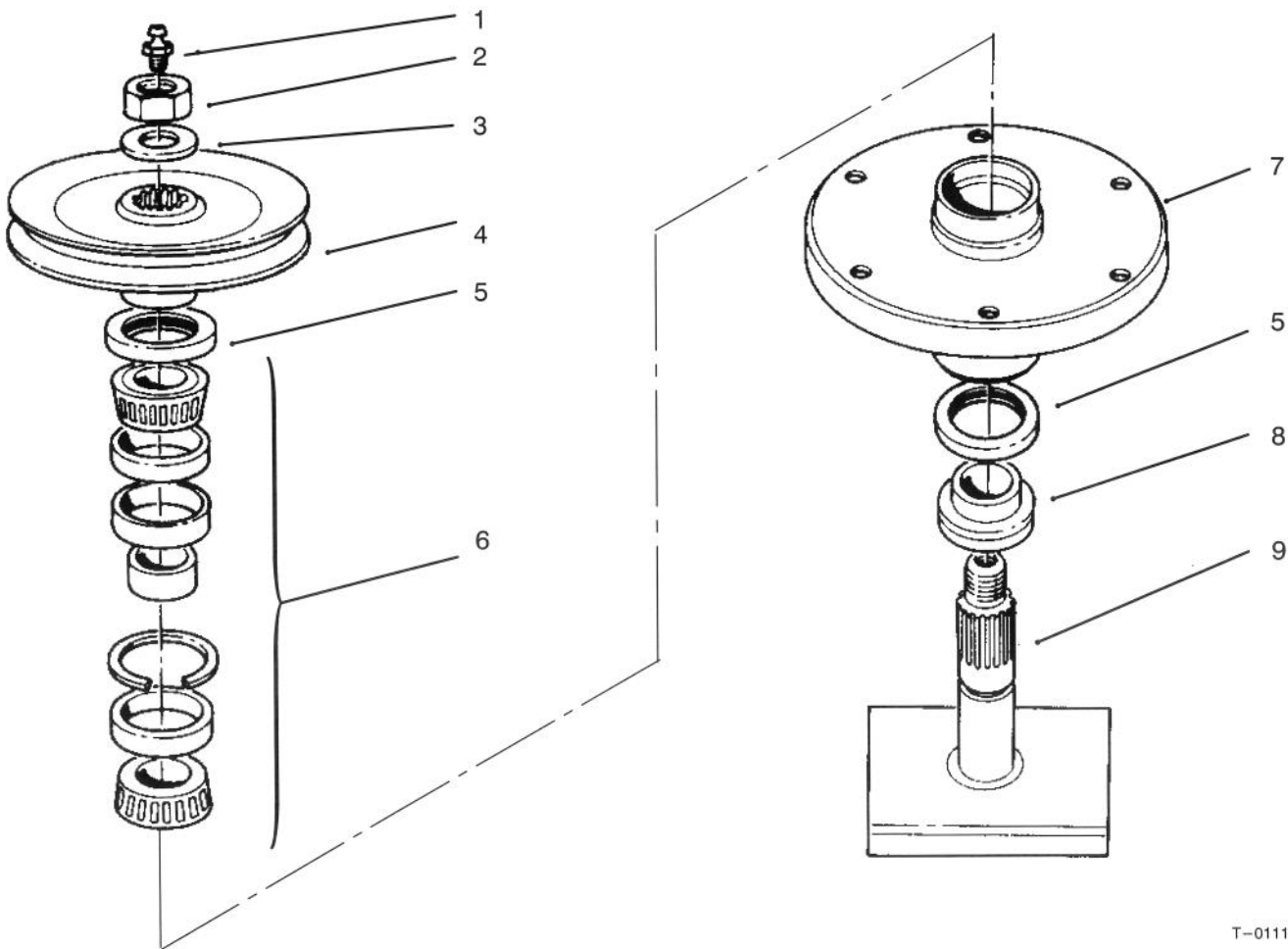


T-0221

CUTTING UNIT ASSEMBLY (Continued)

Ref. No.	Part No.	Description	No. Used
29	3211-15	Screw - Hex. Hd.	2
30	13-3949	Deflector - Grass (Incl. Ref.#50)	1
31	40-6230	Spring - Torsion	2
32	3296-5	Nut - Lock	3
33	29-5590	Bracket - Pivot	2
34	51-3890	Cover - Right	1
35	66-6380	Decal - Deflector Missing	1
36	51-3960	Decal - 52"	1
37	74-2080	Decal - Proline	1
38	51-3640	Sleeve - Idle Pivot	1
39	3256-24	Washer - Flat	8
40	323-11	Screw - Hex. Hd.	1

Ref. No.	Part No.	Description	No. Used
41	55-7640	Arm - Idler	1
42	52-4780	Rod - Belt	2
43	65-5940	Pulley - Idler	1
44	55-7620	Guide - Belt	1
45	3211-8	Bolt - Special	1
46	65-5950	Bushing - Pulley	1
47	7-0081	Washer - Special	1
48	51-3650	Spring - Idler	1
49	55-7650	Plate - Spring Support	1
50	54-9220	Decal - Danger	1
51	62-6520	Knob - Cover	2
52	32151-72	Ring - Retaining	2

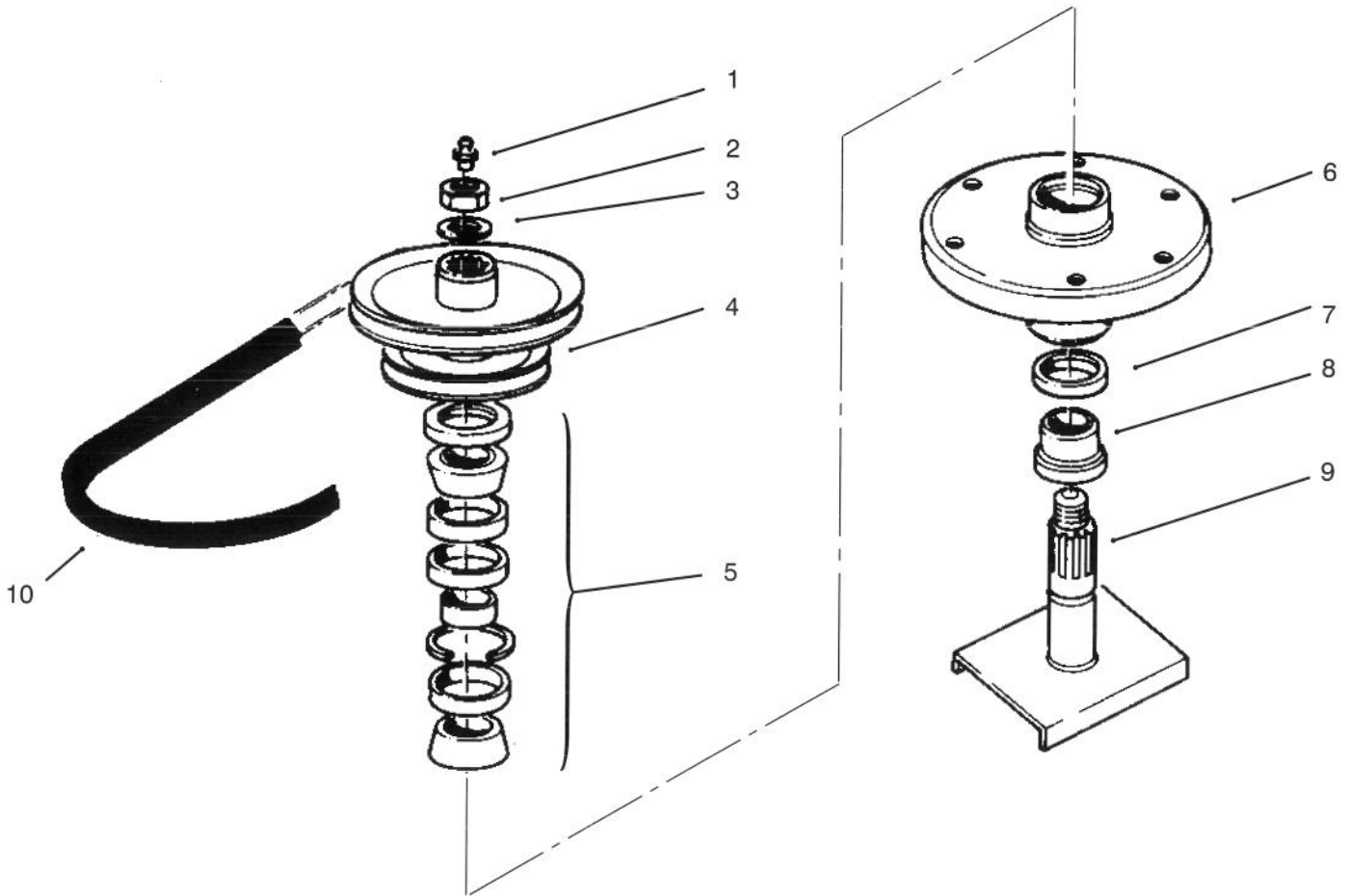


T-0111

DRIVE SPINDLE NO. 27-0870

Ref. No.	Part No.	Description	No. Used
1	302-2	Fitting - Grease	1
2	32146-20	Nut - Lock	1
3	7-4150	Washer	1
4	27-0970	Pulley & Hub Assembly	1
5	253-139	Seal - Wave	2

Ref. No.	Part No.	Description	No. Used
6	46-8530	Bearing Assembly	1
7	61-4160	Spindle Housing	1
8	27-0950	Spacer - Spindle Bearing	1
9	27-0920	Spindle Shaft	1



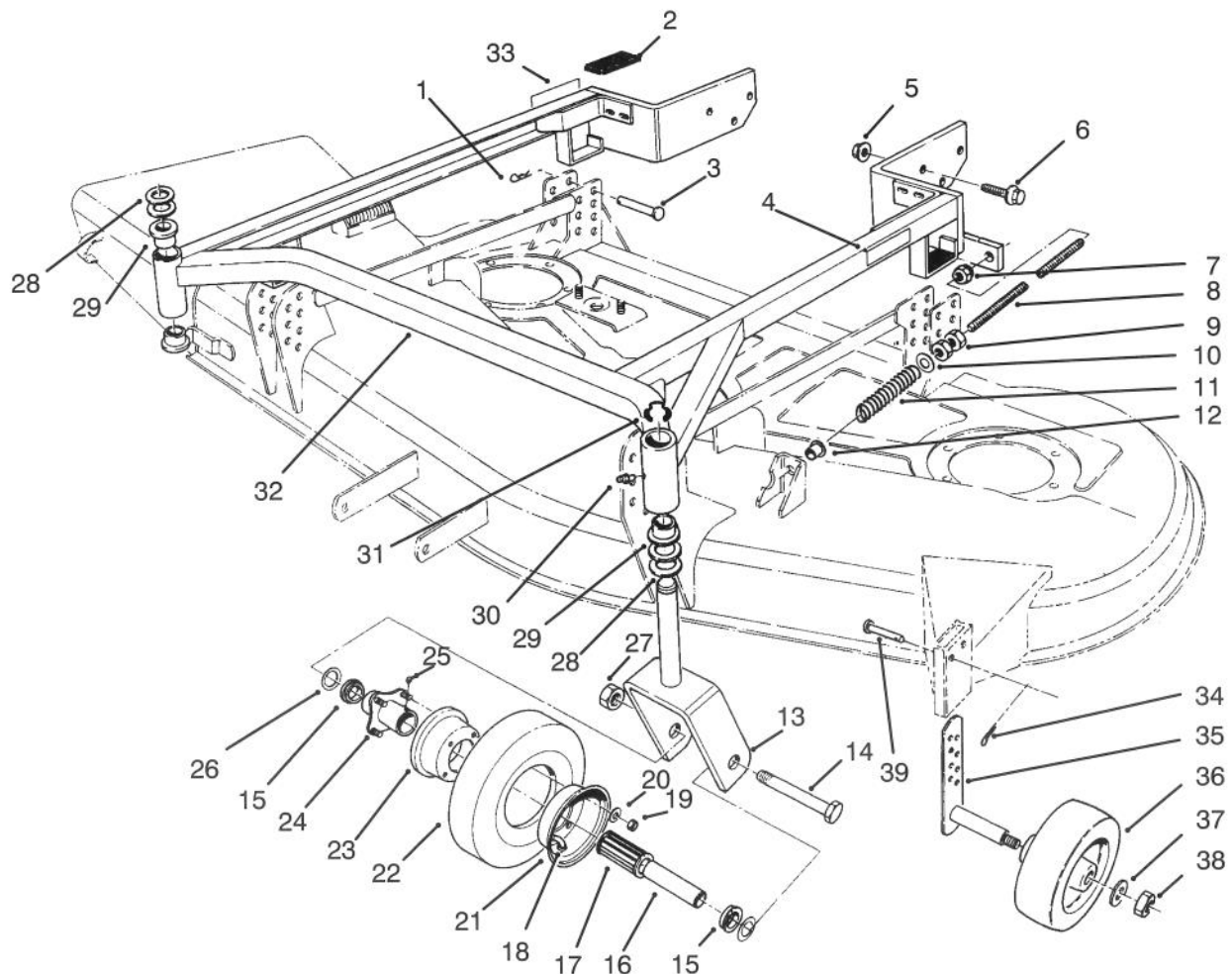
T-0218

DRIVE SPINDLE NO. 54-7781

Ref. No.	Part No.	Description	No. Used
1	302-2	Fitting - Grease	1
2	32146-20	Nut - Lock	1
3	7-4150	Washer	1
4	55-7610	Pulley Assembly	1
5	46-8530	Bearing Assembly	1

Ref. No.	Part No.	Description	No. Used
6	61-4160	Spindle Housing	1
7	253-139	Seal Wave	2
8	27-0950	Spacer - Spindle Bearing	1
9	51-3551	Spindle - Shaft	1
10	55-7660	"V" Belt - Deck Drive	1

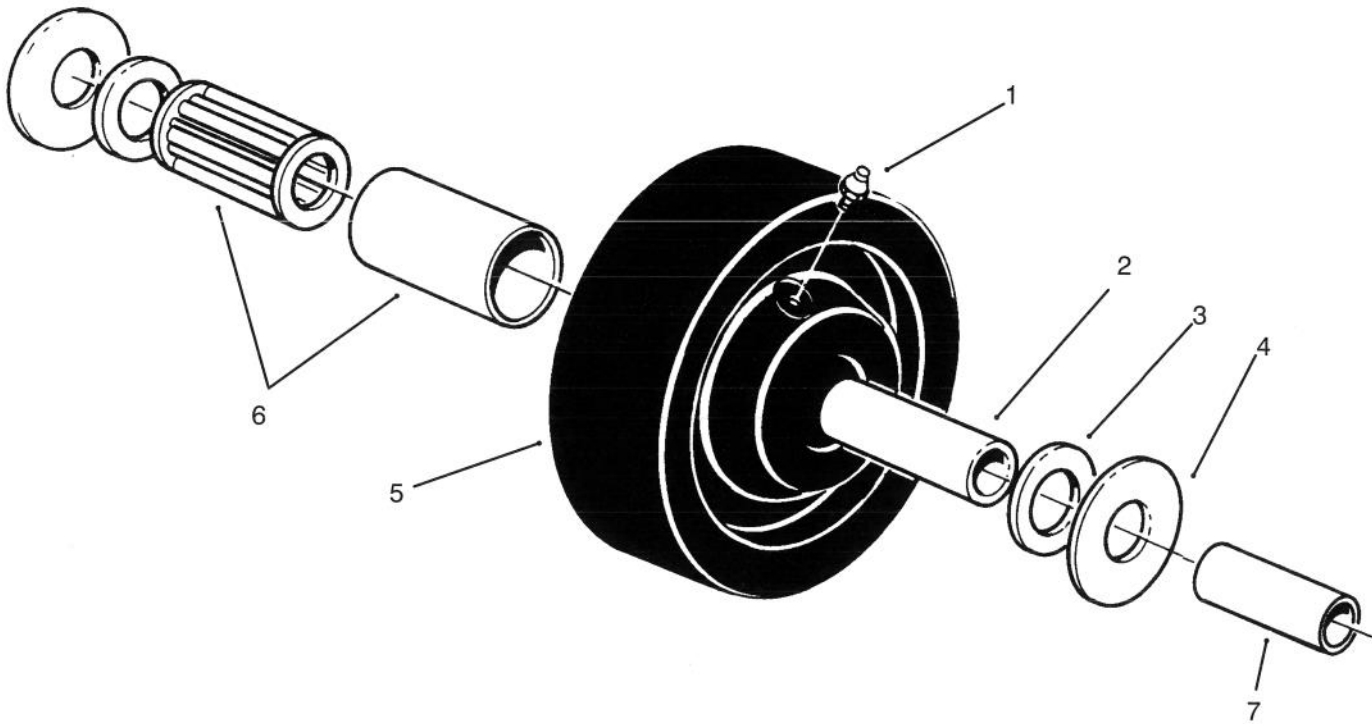
*Not Illustrated



T-0222

CARRIER FRAME ASSEMBLY

Ref. No.	Part No.	Description	No. Used	Ref. No.	Part No.	Description	No. Used
1	3290-355	Pin - Cotter	4	22	68-8960	Tire	2
2	74-0350	Cushion - Rubber	4	23	68-8920	Wheel Half - Female	2
3	283-55	Pin - Clevis	4	24	68-8940	Hub - Center	2
4	68-8360	Decal - Height of Cut L.H.	1	25	302-61	Fitting - Grease	2
5	32128-23	Nut - Lock	6	26	3256-6	Washer	4
6	3234-6	Screw - Flange Lock	6	27	32153-5	Nut - Lock	2
7	3296-45	Nut - Lock	2	28	3-6781	Washer - Thrust	8
8	74-0310	Shaft - Adjusting	2	29	28-9290	Bushing - Special	4
9	3218-5	Nut	4	30	302-5	Fitting - Grease	2
10	41-8440	Washer	2	31	32151-91	Ring - Retaining	2
11	74-0290	Spring - Compression	2	32	74-0190	Frame - Carrier (Incl. Ref. #30)	1
12	256-156	Bushing	2	33	74-0940	Decal - Height of Cut R.H.	1
13	74-0250	Castor - Fork	2	*	13-3869	Castor Wheel Assembly (2 Per Carton)	1
14	325-19	Screw - Hex. Hd. Cap	2	34	3290-467	Pin - Cotter	1
15	62-5580	Bushing	4	35	68-2350	Plate - Wheel	1
16	68-8980	Spanner - Bushing	2	36	68-2730	Wheel - Gauge	1
17	62-5570	Bearing - Roller	2	37	3256-24	Washer - Flat	1
18	68-8950	Tube w/Valve	2	38	3296-39	Nut - Lock	1
19	3219-2	Nut	8	39	283-2	Pin - Clevis	1
20	3253-4	Washer - Lock	8				
21	68-8930	Wheel Half - Male	2				



T-0220

CASTOR WHEEL ASSEMBLY NO. 27-1050 (Optional)

Ref. No.	Part No.	Description	No. Used
1	305-55	Fitting - Grease	1
2	27-1200	Spanner - Bushing	1
3	27-1180	Retainer - Bearing	2
4	27-1170	Washer - Thrust	2

Ref. No.	Part No.	Description	No. Used
5	27-1190	Wheel	1
6	27-1210	Bearing - Roller	1
7	68-8980	Spanner	1

*Note Used With Castor Fork No. 68-8900

TORO PART NUMBER INDEX

3315-540

Part No.	Description	Pg. Ref. No. No. Qty.	Part No.	Description	Pg. Ref. No. No. Qty.
3-6781	Washer - Thrust	5 28 8	68-8340	Decal - Blade Bolt Torque	1 11 1
7-0081	Washer - Special	2 47 1	68-8360	Decal - Height of Cut	5 4 1
7-4150	Washer	3 3 1	68-8920	Wheel Half - Female	5 23 2
7-4150	Washer	4 3 1	68-8930	Wheel Half - Male	5 21 2
13-3869	Castor Wheel Assembly	5 * 1	68-8940	Hub - Center	5 24 2
13-3949	Deflector - Grass	2 30 1	68-8950	Tube w/Valve	5 18 2
14-2339	Deck Assembly	1 14 1	68-8960	Tire	5 22 2
27-0870	Spindle - Drive	1 19 2	68-8980	Spanner - Bushing	5 16 2
27-0920	Spindle Shaft	3 9 1	68-8980	Spanner	6 7 1
27-0950	Spacer - Spindle Bearing	3 8 1	72-9361	Cup - Scalp	1 20 3
27-0950	Spacer - Spindle Bearing	4 8 1	74-0190	Frame - Carrier	5 32 1
27-0970	Pulley & Hub Assembly	3 4 1	74-0250	Castor - Fork	5 13 2
27-0990	Blade	1 15 3	74-0290	Spring - Compression	5 11 2
27-1160	Belt - Deck	1 9 1	74-0310	Shaft - Adjusting	5 8 2
27-1170	Washer - Thrust	6 4 2	74-0350	Cushion - Rubber	5 2 4
27-1180	Retainer - Bearing	6 3 2	74-0940	Decal - Height of Cut	5 33 1
27-1190	Wheel	6 5 1	74-2080	Decal - Proline	2 37 1
27-1200	Spanner - Bushing	6 2 1	82-5410	Cover - Center	1 1 1
27-1210	Bearing - Roller	6 6 1	253-139	Seal - Wave	3 5 2
27-7680	Ring - Deck Support	1 12 3	253-139	Seal Wave	4 7 2
28-9290	Bushing - Special	5 29 4	256-156	Bushing	5 12 2
29-4820	Roller - Deck	1 24 2	283-2	Pin - Clevis	5 39 1
29-5590	Bracket - Pivot	2 33 2	283-55	Pin - Clevis	5 3 4
36-1740	Roller - Deck	1 6 2	302-2	Fitting - Grease	3 1 1
40-0340	Shaft - Roller	1 7 2	302-2	Fitting - Grease	4 1 1
40-6230	Spring - Torsion	2 31 2	302-5	Fitting - Grease	5 30 2
40-6400	Shaft - Roller	1 23 1	305-55	Fitting - Grease	6 1 1
41-8440	Washer	5 10 2	302-61	Fitting - Grease	5 25 2
43-8480	Decal - Danger	1 13 1	323-11	Screw - Hex. Hd.	2 40 1
44-2200	Bolt - Blade	1 17 3	325-19	Screw - Hex. Hd. Cap	5 14 2
46-8530	Bearing Assembly	3 6 1	3211-8	Bolt - Special	2 45 1
46-8530	Bearing Assembly	4 5 1	3211-15	Screw - Hex. Hd.	1 29 2
46-8560	Screw - Self Tapping	1 2 7	3218-5	Nut	5 9 4
51-3551	Spindle - Shaft	4 9 1	3219-2	Nut	5 19 8
51-3640	Sleeve - Idle Pivot	2 38 1	3230-18	Bolt - Carriage	1 28 4
51-3650	Spring - Idler	2 48 1	3231-22	Bolt - Carriage	1 8 20
51-3890	Cover - Right	2 34 1	3234-6	Screw - Flange Lock	5 6 6
51-3910	Cover - L.H.	1 4 1	3253-4	Washer - Lock	5 20 8
51-3960	Decal - 52"	2 36 1	3253-27	Washer - Lock	1 16 3
52-4780	Rod - Belt	2 42 2	3256-2	Washer	1 10A/R
54-7781	Spindle Assembly - Drive	1 21 1	3256-6	Washer	5 26 4
54-9220	Decal - Danger	2 50 1	3256-22	Washer	1 3 1
55-7610	Pulley Assembly	4 4 1	3256-24	Washer - Flat	5 37 1
55-7620	Guide - Belt	2 44 1	3256-24	Washer - Flat	2 39 8
55-7640	Arm - Idler	2 41 1	3272-11	Pin - Cotter	1 5 3
55-7650	Plate - Spring Support	2 49 1	3290-355	Pin - Cotter	5 1 4
55-7660	VBelt - Deck Drive	4 10 1	3290-467	Pin - Cotter	5 34 1
56-2390	Blade - High Sail (Optional)	2 * 3	3296-5	Nut - Lock	2 32 3
57-0690	Pin - Special	1 22 1	3296-39	Nut - Lock	5 38 1
61-4160	Spindle Housing	4 6 1	3296-45	Nut - Lock	5 7 2
61-4160	Spindle Housing	3 7 1	32128-21	Nut - Flange Lock	1 18 21
62-5570	Bearing - Roller	5 17 2	32128-23	Nut - Lock	5 5 6
62-5580	Bushing	5 15 4	32146-20	Nut - Lock	3 2 1
62-6520	Knob - Cover	2 51 2	32146-20	Nut - Lock	4 2 1
65-5940	Pulley - Idler	2 43 1	32151-72	Ring - Retaining	2 52 2
65-5950	Bushing - Pulley	2 46 1	32151-91	Ring - Retaining	5 31 2
66-1340	Decal - Danger	1 26 1	32152-1	Nut - Lock	1 27 4
66-6380	Decal - Deflector Missing	2 35 1	32153-5	Nut - Lock	5 27 2
67-5360	Decal - Shield Missing	1 25 1			
68-2350	Plate - Wheel	5 35 1			
68-2730	Wheel - Gauge	5 36 1			
				Optional Equipment	
				Castor Wheel Assembly Part No.27-1050	
				High Sail Blade Part No. 56-2390	

*Not Illustrated

