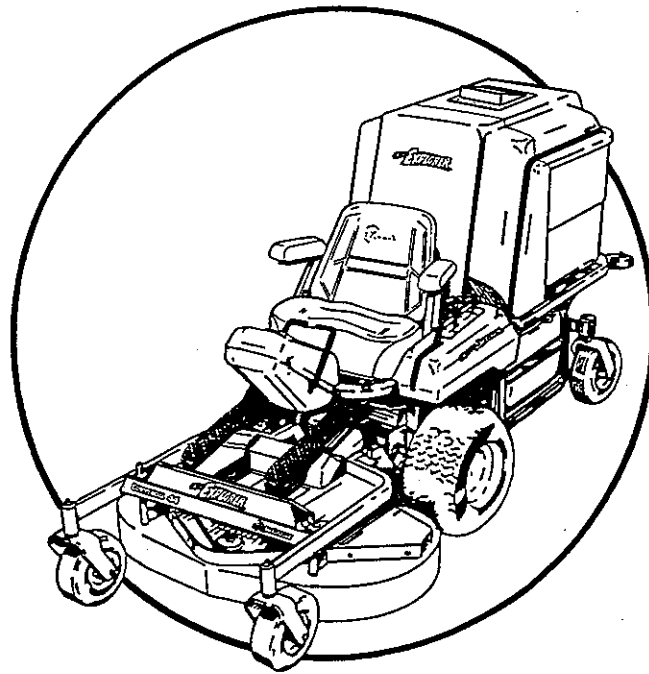




For Serial Nos.  
102,000 and Higher

# Explorer & Explorer II



## Parts Manual

**CONGRATULATIONS** on the purchase of your new Exmark mower. This product has been carefully designed and manufactured to give you a maximum amount of dependability and years of trouble-free operation.

If additional information is needed, or should you require trained mechanic service, contact your authorized Exmark equipment dealer or distributor.

If you need to order replacement parts from your dealer, always give the model number and serial number of your mower as well as the part number, description and quantity of the part needed.

The Serial No. plate for the tractor is located on the rear frame gusset (right hand side of the unit). The Serial No. plate for the deck is located on the front support pin gusset (right hand side of deck or just inside rear edge of the right belt guard).

For ease of ordering and reference, we suggest that you record the information requested in the following identification table.

Tractor Model No. \_\_\_\_\_

Tractor Serial No. \_\_\_\_\_

Deck Model No. \_\_\_\_\_

Purchased From \_\_\_\_\_

Deck Serial No. \_\_\_\_\_

Date purchased \_\_\_\_\_

Purchased From \_\_\_\_\_

## TABLE OF CONTENTS

Description	Page
Blower, Primary and Secondary Transfer Group.....	9, 10
Caster Wheel Assy, Double and Single .....	21
Decals .....	13
Electrical Diagram .....	23
Electrical Group.....	22
Engine Compartment .....	6
44" and 52" Mower Deck (rear discharge) .....	17, 18
44" and 52" Mower Deck Support (rear discharge).....	15
52" and 60" Mower Deck (side discharge) .....	19, 20
52" and 60" Mower Deck Support (side discharge).....	16
Grass Catcher.....	8
Hydraulics.....	14
Lever Steering Controls.....	5
Main Frame Group .....	3
Parking Brakes.....	4
Safety First .....	1, 2
Utility Box .....	7
Utility Primary and Secondary Transfer Group .....	11, 12

## SAFETY RECOMMENDATIONS FOR ALL EXMARK MOWER USERS

### TRAINING

1. Read the instructions carefully. Be familiar with the controls and the proper use of the equipment. Regard the Exmark mower as a piece of power equipment and teach this regard to all who operate this unit.
2. Avoid mowing while people, especially when children or pets, are nearby. Never allow children, teenagers, or people unfamiliar with these instructions to use the mower. Keep in mind that the operator or user is responsible for accidents or hazards occurring to other people or their property.

### PREPARATION

1. The use of personal protective equipment, such as (but not limited to) protection for the eyes, ears, feet and head is recommended.
2. While mowing, always wear substantial footwear and long trousers. **Do Not** operate the equipment when barefoot, wearing baggy clothing or trousers with loose strings, or while wearing open sandals.
3. Thoroughly inspect the area where the equipment will be used. Remove all stones, sticks, wire, bones and other foreign objects which can result in personal injury.

### OPERATION

#### WARNING

- Failure to follow safety instructions and cautious operating practices can result in serious injury.

1. This mower was designed for one operator only. Keep all others away from mower during operation.
2. Give complete undivided attention to the job at hand.
3. Mow only in daylight or good artificial light.

#### DANGER

- **Do Not** operate the engine in a confined area where dangerous carbon monoxide fumes can collect.
4. When feasible, avoid operating the equipment in wet grass.
  5. Mow **up and down** slopes. Use extreme caution when mowing and/or turning on slopes, and when mowing down slopes (**tractor could tip forward**). **Do Not** mow excessively steep slopes.
  6. Use extreme caution when backing up.
  7. Stop the blades when transporting the mower across any surface other than grass, and when transporting the mower to and from the area to be mowed.
  8. **Never** operate the mower with damaged guards, shields, or without operating safety devices in place. **Do Not** mow without grass deflector or entire grass collection system in place and in proper working condition.
  9. **Do Not** change the governor settings or overspeed the engine. Operating an engine at excessive speed may increase the hazard of personal injury.
  10. Fill the gas tank with the recommended fuel specified by the engine manufacturer.

#### DANGER

- Fuel is **highly flammable**. **Never** remove the cap of the gas tank while engine is running or when engine is hot. Add fuel **before** starting the engine.
  - Refuel outdoors or in a well ventilated area. **Do Not** smoke when refueling or operating the equipment.
  - If fuel is spilled, **Do Not** attempt to start the engine. Move away from the spill and avoid creating any source of ignition or sparks until fuel vapors have dissipated.
11. Before starting engine; place transmission in neutral, and disengage the blade and wheel drive clutches. Follow engine manufacturer recommendations for starting engine.
  12. Start the engine with feet well away from the blades.
  13. Keep hands, feet and clothing away from rotating parts while the mower is being operated.

#### CAUTION

- The engine can become very hot. Always allow the engine to cool before servicing or making any repairs near the engine area.

14. Stop the engine:
  - Before refueling.
  - Before making height adjustments.
  - Before removing grasscatcher.
14. Stop the engine and remove ignition key:
  - Before checking, adjusting, or clearing blockages.
  - After striking a foreign object to inspect mower for damage. Make any necessary repairs before restarting and operating the mower.
  - Before cleaning blockages.
  - Whenever you leave the mower.

### **WARNING**

- **Do Not rely solely on mechanical or hydraulic jacks for support. Properly support the deck or mower using adequate jack stands or equivalent support.**
15. Return the throttle control to the idle position for 30 seconds for engine cool down before stopping the engine.
  16. The fuel system is provided with a shut-off valve. The fuel shut-off valve is used when transporting the mower to and from the job site and when the mower will be stored and not in use for a few days.
  17. If jump starting is required, connect positive (+) power cable from booster battery to the positive (+) terminal post on starter solenoid switch (this post has the positive battery cable hooked to it). Connect the ground (-) cable from booster battery to any engine deck ground (preferably the engine block).
  18. Disconnect cables in the reverse order after engine has started.

## **MAINTENANCE AND STORAGE**

### **CAUTION**

- **Although hazard control and accident prevention are partially dependent upon the design and configuration of the equipment, these factors are also dependent upon the awareness, concern, prudence and proper training of the personnel involved in the operation, transport, storage and maintenance of the equipment.**
  - **It is essential that all operator safety guards and mechanisms be connected and in proper operating condition prior to mowing.**
1. Follow the engine manufacturer's recommendations as detailed in the engine manual, for maintenance and service on the engine.
  2. Keep engine and engine area free of grass, leaves, excessive grease and oil, and other debris which can accumulate in these areas. Some of these materials can become combustible and result in a fire.

3. Maximum mowing results and safety can be achieved if the mower is properly maintained and operated correctly.
4. Keep all guards, shields and other safety devices *in place* and in safe working condition.
5. Check all bolts and hydraulic fittings frequently to maintain proper tightness.
6. If carburetor adjustment is necessary, disengage the blade and wheel drive, stand to one side keeping hands and feet away from the mower deck, make appropriate adjustments.
7. Check for worn or deteriorating components and belts which could create a hazard. Replace or repair as necessary.
8. All replacement parts must be equivalent or the same as the parts supplied as original equipment.

### **DANGER**

- **Fuel is *highly flammable*. Do Not store fuel in an enclosed area where heating appliance or open flame is present. Store fuel in a container designed specifically for that purpose.**
9. Store fuel in a cool dry place. Keep fuel and mower in locked storage to prevent children from playing or tampering with them.

### **CAUTION**

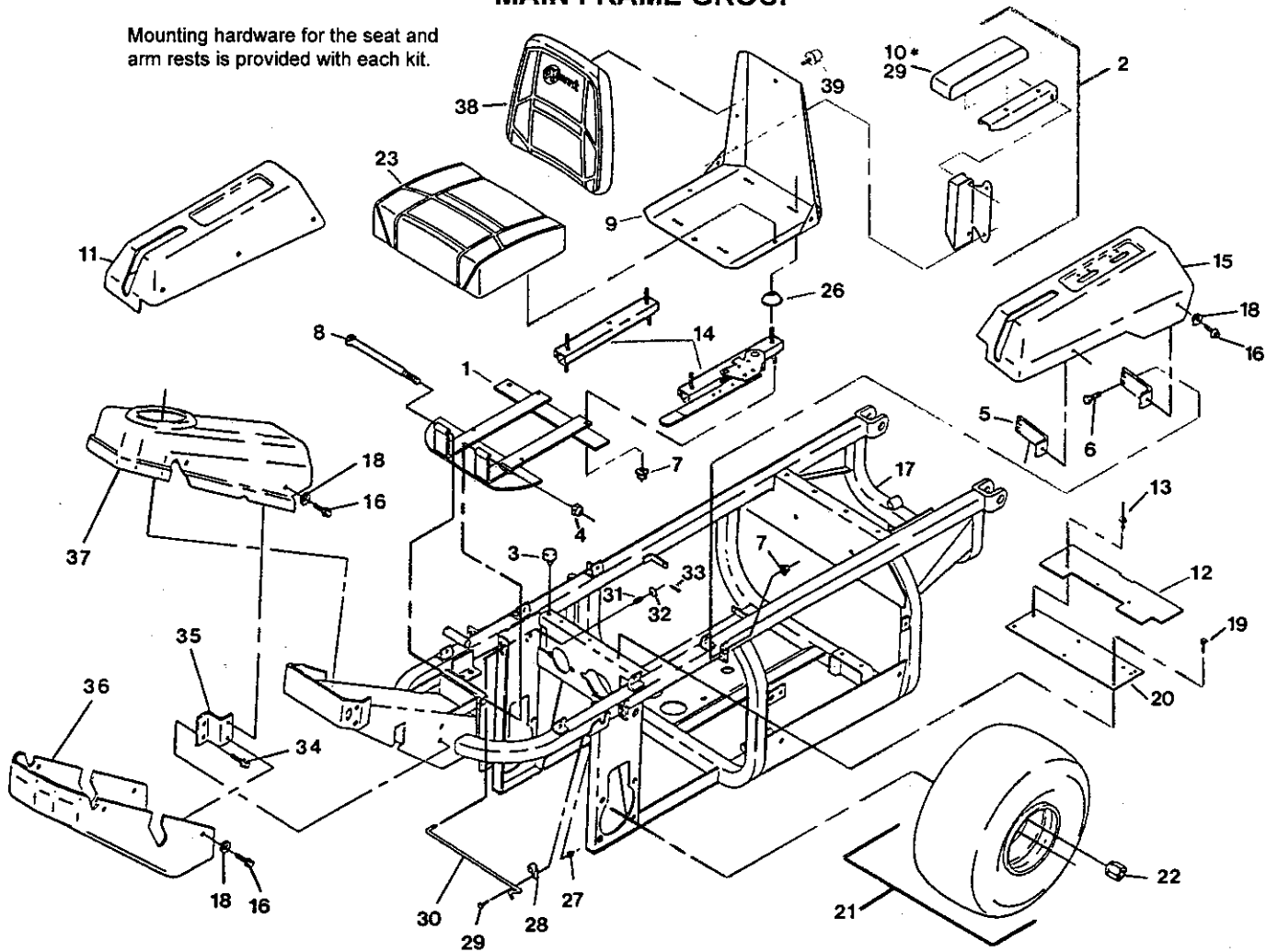
- **Hydraulic fluid escaping under pressure may have sufficient force to penetrate the skin and cause serious injury. If foreign fluid is injected into the skin, it must be surgically removed within a few hours by a doctor familiar with this form of injury or gangrene may occur.**
- **Use paper or cardboard to check for leaks. NEVER use your hands.**
- **Safely relieve all pressure in the system before disconnecting the lines or before performing work on the hydraulic system.**

## **SAFETY SIGNS**

1. Familiarize yourself with the instruction and safety labels. They are critical to the safe operation of your Exmark commercial mower. Remove all grease, dirt and debris from safety signs. Safety signs must be replaced if they are missing or illegible.
2. Safety signs may be affixed by peeling off the backing to expose the adhesive surface. Apply only to a clean dry surface. Smooth to remove air bubbles.
3. When new components are installed, insure that current safety signs are affixed to the replaced component. New safety signs may be obtained from your authorized Exmark dealer or distributor, or from Exmark Mfg. Co. Inc.

## MAIN FRAME GROUP

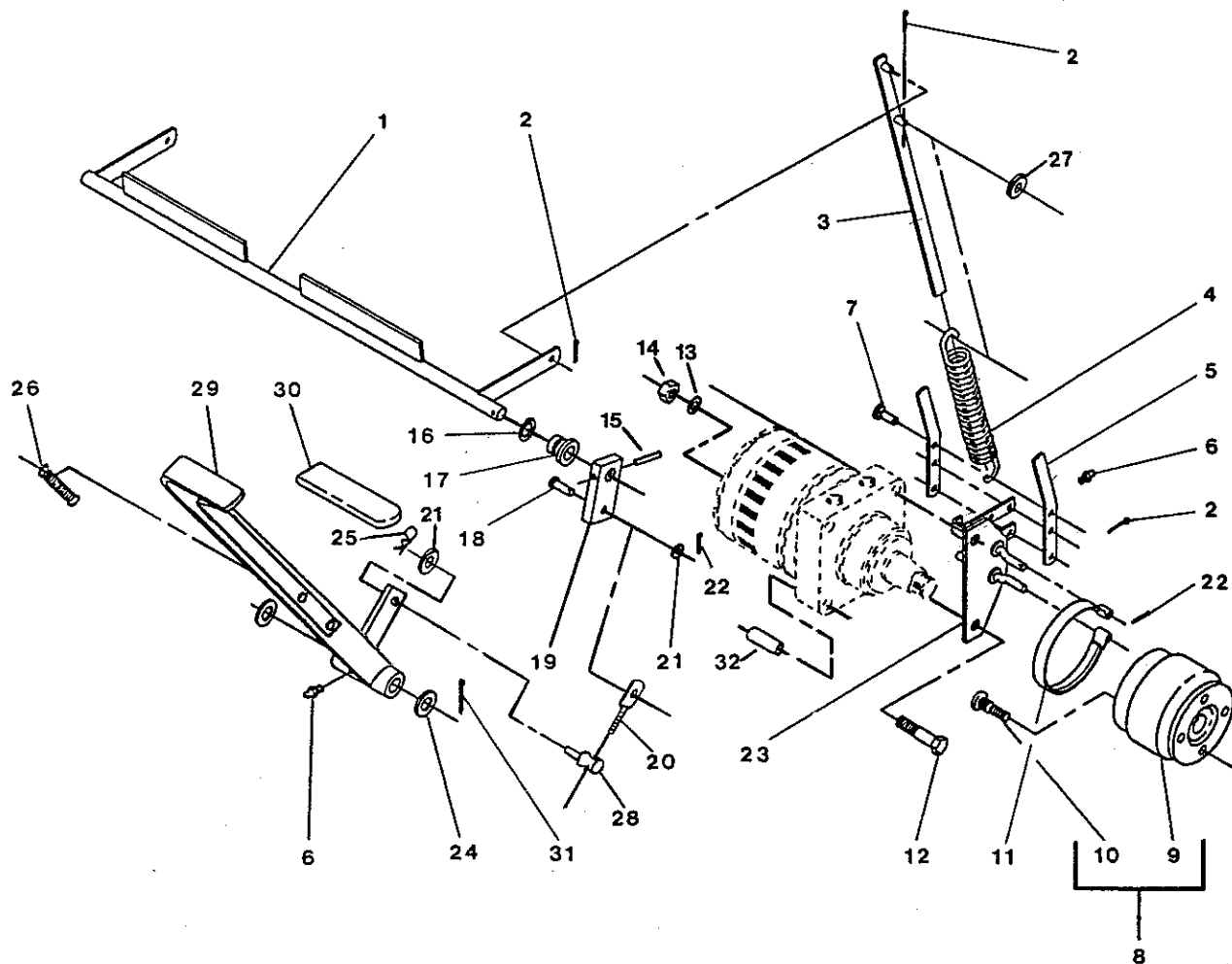
Mounting hardware for the seat and arm rests is provided with each kit.



Ref. No.	Part No.	Description	Qty. Req'd.	Ref. No.	Part No.	Description	Qty. Req'd.
1	522411	Seat mount .....	1	(21)	513042	Wheel .....	2
2	543406	Kit, arm rest (optional) .....	1	(21)	543680	Tire 20 x 10-8 .....	2
3	513291	Bumper, rubber .....	2	22	513011	1/2-20 Wheel Nut .....	8
4	804257	Nut, nylock 3/8-16 .....	1	23	543407	Cushion, seat .....	1
5	513175	Support, fender .....	4	24	543409	Cushion, arm rest, RH .....	1
6	800271	Screw, 5/16-18 x 3/4 .....	8	25	805008	1/2 Lockwasher .....	8
7	809001	Nut, whizlock 5/16-18 .....	12	26	543401	Spacer, seat track .....	4
8	800309	Screw, 3/8-16 x 9 1/2 .....	1	27	804252	Nut, nylock 10-24 .....	1
9	543347	Seat, w/cushion .....	1	28	513639	Clip, seat holdup rod .....	1
10*	543411	Cushion, arm rest, LH .....	1	29	801039	Screw, 10-24 x 5/8 .....	1
11	513677	Fender, RH .....	1	30	513684	Rod, seat holdup .....	1
12	523404	Shield (rubber), pump belt .....	1	31	513641	Spring, seat holdup rod .....	1
13	803035	Rivet, 3/16 x 1/4 .....	3	32	805256	Washer, 1/4 .....	1
14	523428	Track, seat ( 4" adjusting) .....	1	33	806753	Pin, cotter 3/32 x 1/2 .....	1
15	513676	Fender, LH .....	1	34	802001	Screw, 12-24 x 1/2 .....	4
16	803036	Screw, 12-24 x 3/4 .....	18	35	513692	Tab, mount (console) .....	2
17	522347	Frame, main .....	1	36	513686	Console, steering (bottom) .....	1
18	805254	Washer, #12 .....	16	37	513685	Console, steering (top) .....	1
19	802002	Screw, 10-32 x 1/2 .....	3	38	543408	Cushion, back rest .....	1
20	523405	Shield, pump belt .....	1	39	523420	Bumper, rubber .....	1
21	543396	Wheel/tire assy 20 x 10-8 .....	2				

\* Not Illustrated.

# PARKING BRAKES

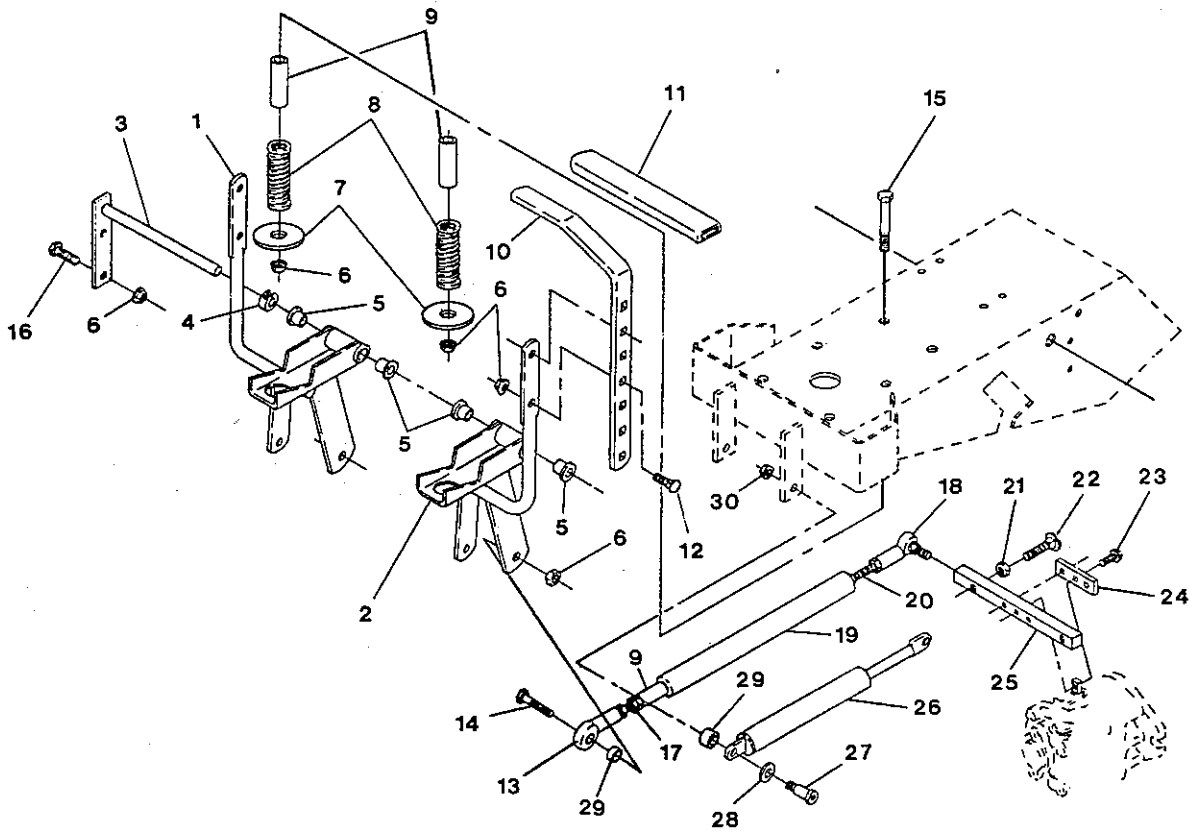


Ref. No.	Part No.	Description	Qty. Req'd.	Ref. No.	Part No.	Description	Qty. Req'd.
1	512182	Rod, lockout.....	1	18	808280	Pin, clevis 5/16 x 1 .....	1
2	806753	Pin, cotter 3/32 x 1/2.....	10	19	513330	Link, lockout .....	1
3	512349	Link, brake .....	2	20	513778	Link, brake actuator.....	1
4	513170	Spring, brake apply .....	2	21	805257	Washer, 5/16 .....	2
5	513364	Link, brake connecting.....	4	22	806761	Pin, cotter 1/8 x 3/4 .....	5
6	811006	Zerk, grease 1/4-28 (strght)....	5	23	522358	Bracket, brake (LH) .....	1
7	808264	Pin, clevis 1/4 x 9/16.....	6	*	522356	Bracket, brake (RH).....	1
8	512074	Hub & brake drum ass'y. ....	2	24	805263	Washer, 1/2 .....	2
9▽	513063	Hub & brake drum.....	2	25	806003	Hairpin, cotter #2.....	1
10	513025	Bolt, hub.....	8	26	513468	Spring, brake handle .....	1
11	513048	Band, brake .....	2	27	805256	Washer, 1/4 .....	2
12	800336	Screw, 1/2-13 x 4-1/2.....	4	28	513815	Swivel, adjustment (short).....	1
13	805008	Washer, lock 1/2 .....	4	29	512786	Handle/trigger (brake) .....	1
14	804509	Nut, 1/2-13 .....	4	30	303020	Grip, brake handle.....	1
15	806325	Roll Pin, .188 x 1.0.....	1	31	806762	Pin, cotter 1/8 x 1 .....	1
16	808505	E-Ring.....	2	32	523303	Spacer .....	8
17	513803	Bushing, lockout rod .....	2				

\* Not Illustrated.

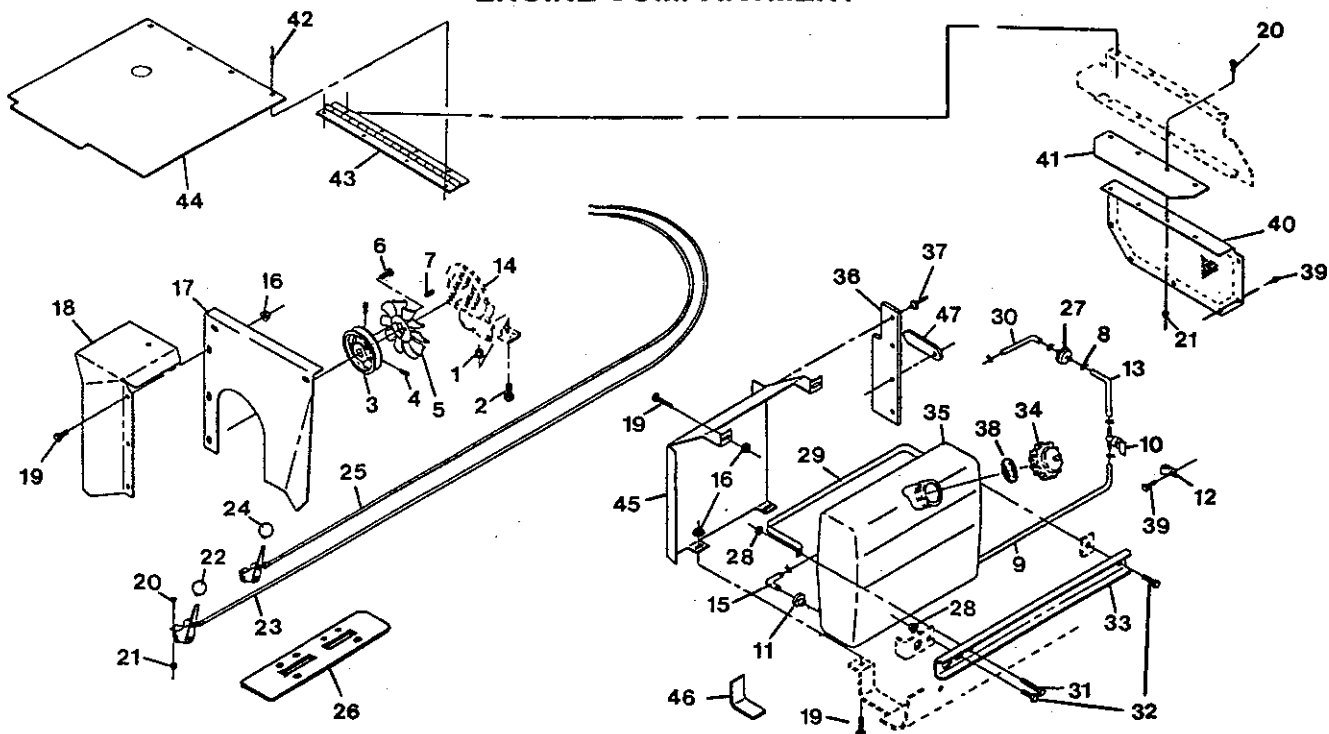
▽ Add anti-seize compound between hub and drive motor shaft.

# LEVER STEERING CONTROLS



Ref. No.	Part No.	Description	Qty. Req'd.	Ref. No.	Part No.	Description	Qty. Req'd.
1	522060	Control, Motion (RH).....	1	16	800270	Screw, 5/16-18 x 5/8 .....	2
2	522058	Control, Motion (LH) .....	1	17	804758	Nut, jam 5/16-24.....	10
3	522053	Shaft, control.....	1	18	513132	Ball joint.....	2
4	809023	Collar, clamptite .....	1	19	512136	Housing, override .....	2
5	513140	Bearing, control.....	4	20	513499	Rod, steering.....	2
6	809001	Nut, whizlock 5/16-18 .....	10	21	804750	Nut, jam 1/4-20.....	4
7	513516	Washer, reverse indicator.....	2	22	807504	Screw, 1/4-20 x 1-1/2 .....	4
8	513296	Spring, reverse indicator.....	2	23	803026	Screw, M5 x .8 x 25 mm.....	6
9	513479	Bushing, spring guide .....	3	24	513151	Clamp, plate .....	2
10	523055	Lever, control.....	2	25	513146	Arm, pump.....	2
11	523063	Grip, motion control .....	2	26	523027	Damper, motion control .....	2
12	807506	Bolt, carriage 5/16-18 x 1.....	4	27	809010	Bolt, 5/16 x 1/2 sckt hd shldr ..	4
13	543017	Ball joint .....	2	28	805257	Washer, 5/16 .....	4
14	800274	Screw, 5/16-18 x 1-1/4.....	2	29	603500	Spacer .....	6
15	800277	Screw, 5/16-18 x 2.....	2	30	809012	Nut, whizlock 1/4-20.....	4

## ENGINE COMPARTMENT

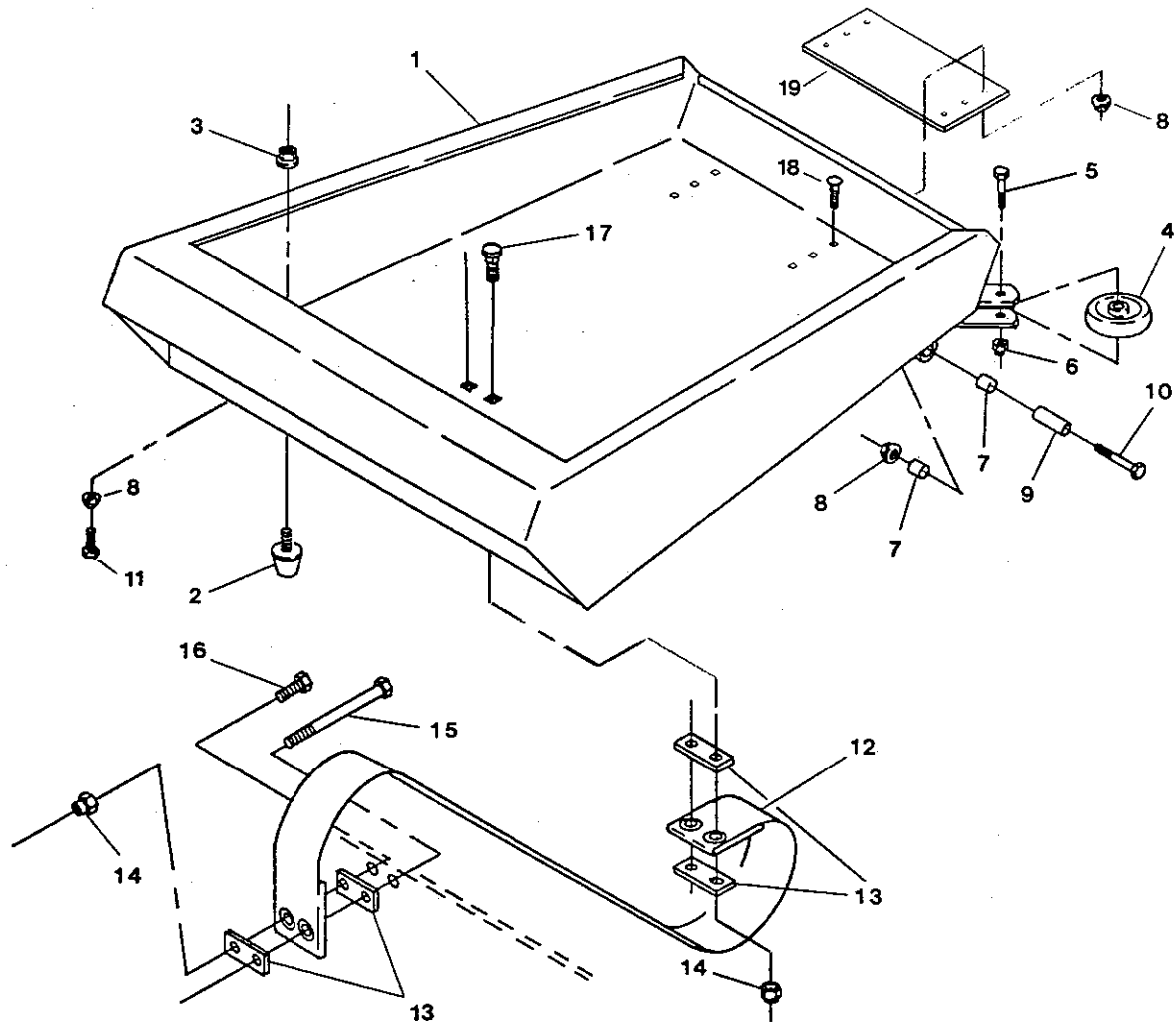


Ref. No.	Part No.	Description	Qty. Req'd.	Ref. No.	Part No.	Description	Qty. Req'd.
1	809007	Nut, whizlock 3/8-16 .....	4	21	804252	Nut, nylock 10-24 .....	10
2	800294	Screw, 3/8-16 x 1-1/2.....	3	22	513592	Knob, red ball .....	1
	800295	Screw, 3/8-16 x 1-3/4.....	1	23	523276	Cable, throttle .....	1
3	513040	Sheave 5.95 O.D. (B Belt) .....	1	24	513593	Knob, black ball .....	1
4f	803022	Set screw, 5/16-18 x 5/8 Sq....	2	25	523277	Cable, choke .....	1
5	513697	Fan - Belt Cooling .....	1	26	513764	Plate, fender (LH) .....	1
6f	800251	Screw, 1/4-20 x 5/8.....	3	27	303197	Filter, fuel line .....	1
7	807263	Key, 1/4 Sq. x 1-1/4 .....	1	28	804255	Nut, nylock 1/4-20 .....	3
8	303077	Clamp, gas line .....	6	29	513647	Strap, fuel tank mounting.....	1
9	303472	Hose, fuel (19").....	1	30	303426	Hose, fuel (15").....	1
10	603770	Valve, fuel shut off .....	1	31	800009	Bolt, tap 1/4-20 x 2-1/2 .....	1
11	513645	Bushing, fuel tank .....	1	32	800252	Screw, 1/4-20 x 3/4 .....	1
12	513762	Clamp, hose.....	1	33	513601	Channel, tank mount .....	1
13	543649	Hose, fuel (7").....	1	34	513508	Cap, fuel tank .....	1
14*	523274	Engine, Kohler CH 20S.....	1	35	513243	Tank, fuel.....	1
*		Filter, oil (Kohler)		36	513643	Baffle, engine (LH).....	1
		#12-050-01 .....	1	37	803035	Rivet, 3/16 x 1/4 .....	4
*		Filter, air (Kohler)		38	303321	Gasket, fuel tank cap.....	1
		#47-083-03 .....	1	39	802002	Screw, tap 10-32 x 1/2 .....	8
*		Foam, precleaner		40	513142	Baffle, engine (air) .....	1
		#24-083-02 .....	1	41	523283	Baffle, engine (rear).....	1
15	543277	Elbow, fuel tank .....	1	42	803010	Rivet, 3/16x1/4 .....	8
16	809012	Nut, whizlock 1/4-20 .....	10	43	513462	Hinge, engine cover .....	1
17	513636	Shield, heat (front) .....	1	44	513461	Cover, engine .....	1
18	513637	Shield, heat (RH) .....	1	45	523275	Shield, heat (fuel tank).....	1
19	800251	Screw, 1/4-20 x 5/8.....	10	46	523298	Pad, fuel tank.....	2
20	801039	Screw, 10-24 x 5/8.....	10	47	523285	Clip, rear baffle .....	2

f Use Pro-Lock, Nut type (Part No. 840022, .5 ml tube) on set screws and to fan mounting bolts.

\* Not Illustrated.

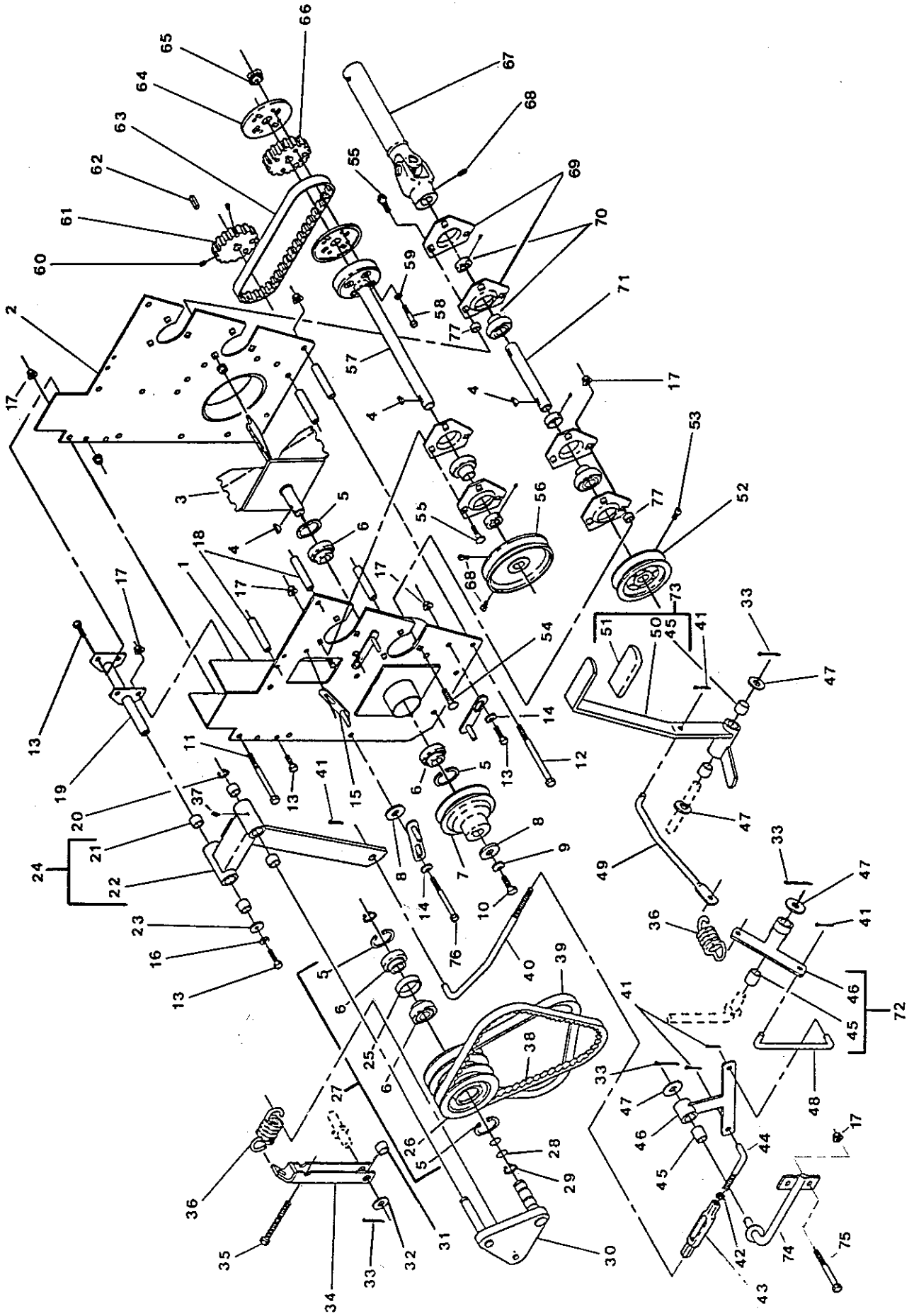
# UTILITY BOX



Ref. No.	Part No.	Description	Qty. Req'd.	Ref. No.	Part No.	Description	Qty. Req'd.
1	522125	Dump Box .....	1	11	800292	Screw, 3/8-16 x 1 .....	1
2	543963	Bumper, rubber.....	2	12	513503	Strap, box restraint.....	1
3	809001	Nut, whizlock 5/16-18 .....	2	13	513502	Clamp, strap .....	4
4	513407	Wheel bumper .....	2	14	804255	Nut, nylock 1/4-20 .....	4
5	800298	Screw, 3/8-16 x 2-1/2.....	2	15	800267	1/4-20 x 5-1/2 .....	1
6	804257	Nut, nylock 3/8-16.....	2	16	800255	1/4-20 x 1-1/4 .....	1
7	513034	Bearing, DU .....	4	17	807514	Bolt, carriage 1/4-20 x 1 .....	2
8	809007	Nut, whizlock 3/8-16 .....	9	18	807508	Bolt, carriage 3/8-16 x 1 1/2 ...	6
9	513385	Bushing, box pivot .....	2	19	523430	Weight, utility box .....	2
10	800300	Screw, 3/8-16 x 3.....	2				



# BLOWER PRIMARY and SECONDARY TRANSFER GROUP

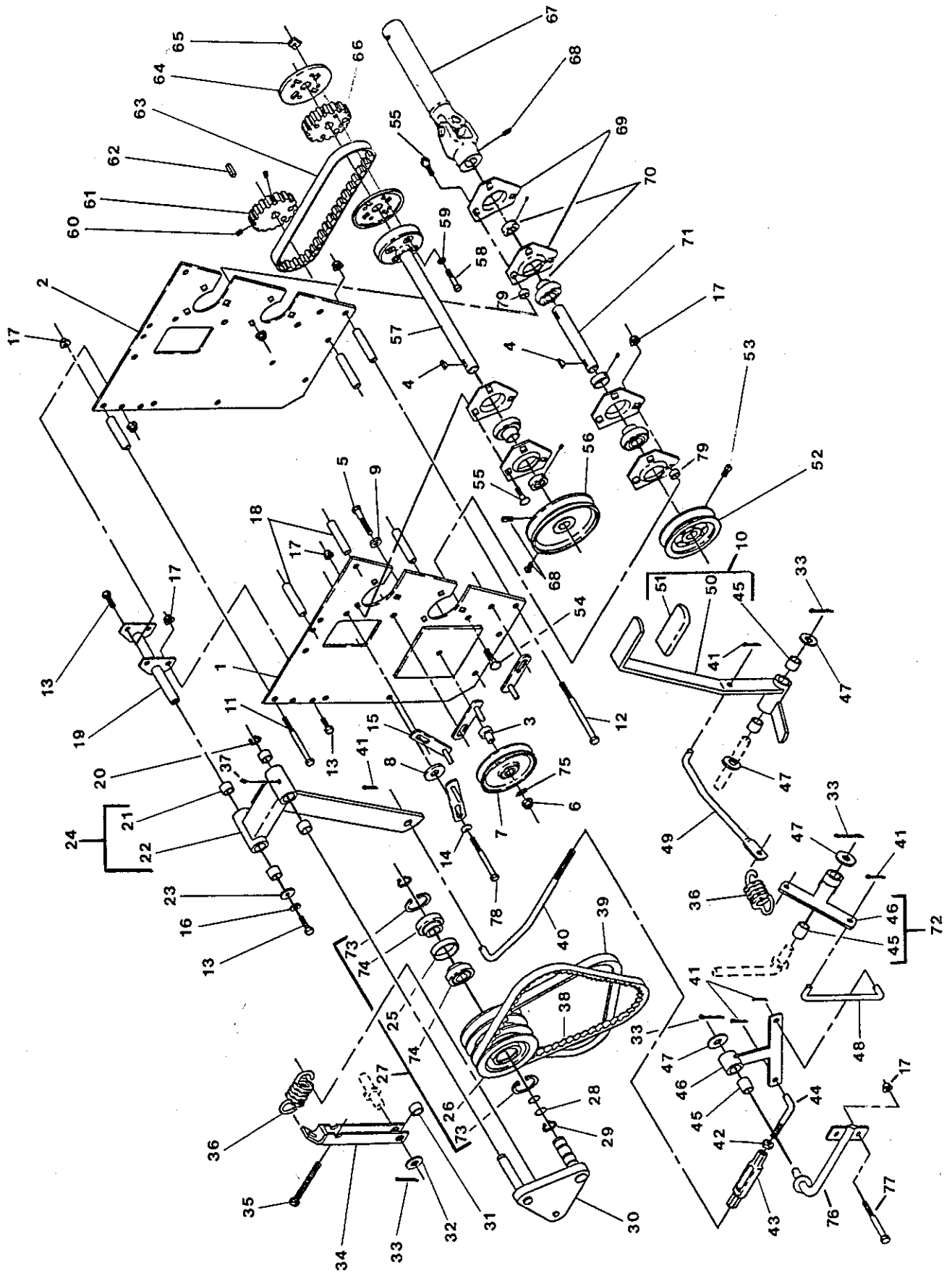


## BLOWER PRIMARY and SECONDARY TRANSFER GROUP

Ref. No.	Part No.	Description	Qty. Req'd.	Ref. No.	Part No.	Description	Qty. Req'd.
1	522337	Panel, rear .....	1	40	513540	Rod, PTO (lower) .....	1
2	522334	Panel, front .....	1	41	806761	Pin, cotter 1/8 x 3/4 .....	5
3	522371	Impeller (balanced) .....	1	42	804761	Nut, jam 5/16-18 (LH) .....	1
4	807014	Key, woodruff 1/4 x 7/8 #807 ..	4	43	513705	Body, turn buckle .....	1
5	808502	Ring, retaining .....	4	44	513703	Rod, PTO (lower RH) .....	1
6	513016	Bearing (flat O.D. w/o clr.) .....	4	45	513034	Bearing, DU .....	4
7	513089	Sheave, blower .....	1	46	512261	Bell crank, PTO .....	2
8	373034	Washer, swivel .....	2	47	805267	Washer 5/8 .....	4
9	303327	Washer, 3/8 disc spring .....	1	48	513586	Rod, PTO (middle) .....	1
10	800292	Screw, 3/8-16 x 1 .....	1	49	513530	Rod, PTO (upper) .....	1
11	800285	Screw, 5/16-18 x 5 .....	5	50	512241	Handle, PTO .....	1
12	800286	Screw, 5/16-18 x 6 .....	3	51	303020	Grip, brake handle .....	1
13	800271	Screw, 5/16-18 x 3/4 .....	8	52	513059	Sheave, 5.5 O.D. "B" .....	1
14	303334	Washer, disc spring 5/16 .....	4	53 <sup>f</sup>	803022	Set screw, 5/16-18 x 5/8 .....	2
15	322110	Belt guide .....	4	54	807506	Bolt, carriage 5/16-18 x 1 .....	6
16	805005	Washer, lock 5/16 .....	1	55	807503	Bolt, carriage 5/16-18 x 3/4 ....	6
17	809001	Nut, whizlock 5/16-18 .....	31	56	523414	Sheave, 6.5 "B" .....	1
18	513110	Spacer, 5/16 x 4 .....	5	57	513020	Shaft, pump drive .....	1
19	512082	Pivot (transfer) .....	1	58	800257	Screw, 1/4-20 x 1-3/4 .....	4
20	808511	Ring, retaining .....	1	59	805004	Washer, lock 1/4 .....	4
21	513588	Bearing, DU .....	4	60 <sup>f</sup>	803313	Set screw, 5/16-18 x 5/8 .....	4
22	512120	Control, transfer sheave .....	1	61	513210	Pulley, positive drive .....	1
23	805258	Washer, 5/16 .....	1	62	807272	Key, 5mm Sq. x 25mm .....	2
24	512727	Control assy (trnsfr. shv.) .....	1	63	513079	Belt, drive (positive) .....	1
25	513028	Spacer, transfer bearing .....	1	64	513221	Flange, pulley .....	2
26	513092	Sheave, transfer .....	1	65	809012	Nut, whizlock 1/4-20 .....	4
27	512591	Sheave sub assy (transfer) .....	1	66	513209	Pulley, drive (positive) .....	1
28	513689	O" Ring, .799 x .103 .....	2	67	513195	Tube, half (PTO shaft) .....	1
29	808504	Ring retaining .....	2	68 <sup>f</sup>	803049	Set screw, 3/8-16 x 3/4 .....	4
30	512096	Plate, transfer sheave .....	1	69	513013	Housing, flange .....	6
31	513566	Spacer, swing arm .....	1	70	513012	Bearing (w/lck clr & stscrw) ....	3
32	805263	Washer, 1/2 .....	1	71	523331	Jackshaft, PTO .....	1
33	806762	Pin, cotter 1/8 x 1 .....	4	72	512707	Bell crank sub assy. .....	2
34	512570	Swing arm .....	1	73	512706	Handle, PTO sub assy. .....	1
35	800032	Bolt, t <sub>l</sub> , 3/8-16 x 3 .....	1	74	522343	Support, bell crank .....	1
36	513113	Spring, belt tension ..	2	75	800276	Screw, 5/16-18 x 1 3/4 .....	2
37	811006	Zerk, 1/4-28 .....	1	76	800280	Screw, 5/16-18 x 5 1/2 .....	1
38	523413	V-Belt "B", sz 43 (PRI.) .....	1	77	523352	Standoff, bearing .....	6
39	513037	V-Belt "B", sz 41.5 (SEC.) .....	1				

<sup>f</sup> Use Pro-lock, nut type (Part No. 840022, .5 ml tube) on set screws.

# UTILITY PRIMARY and SECONDARY TRANSFER GROUP

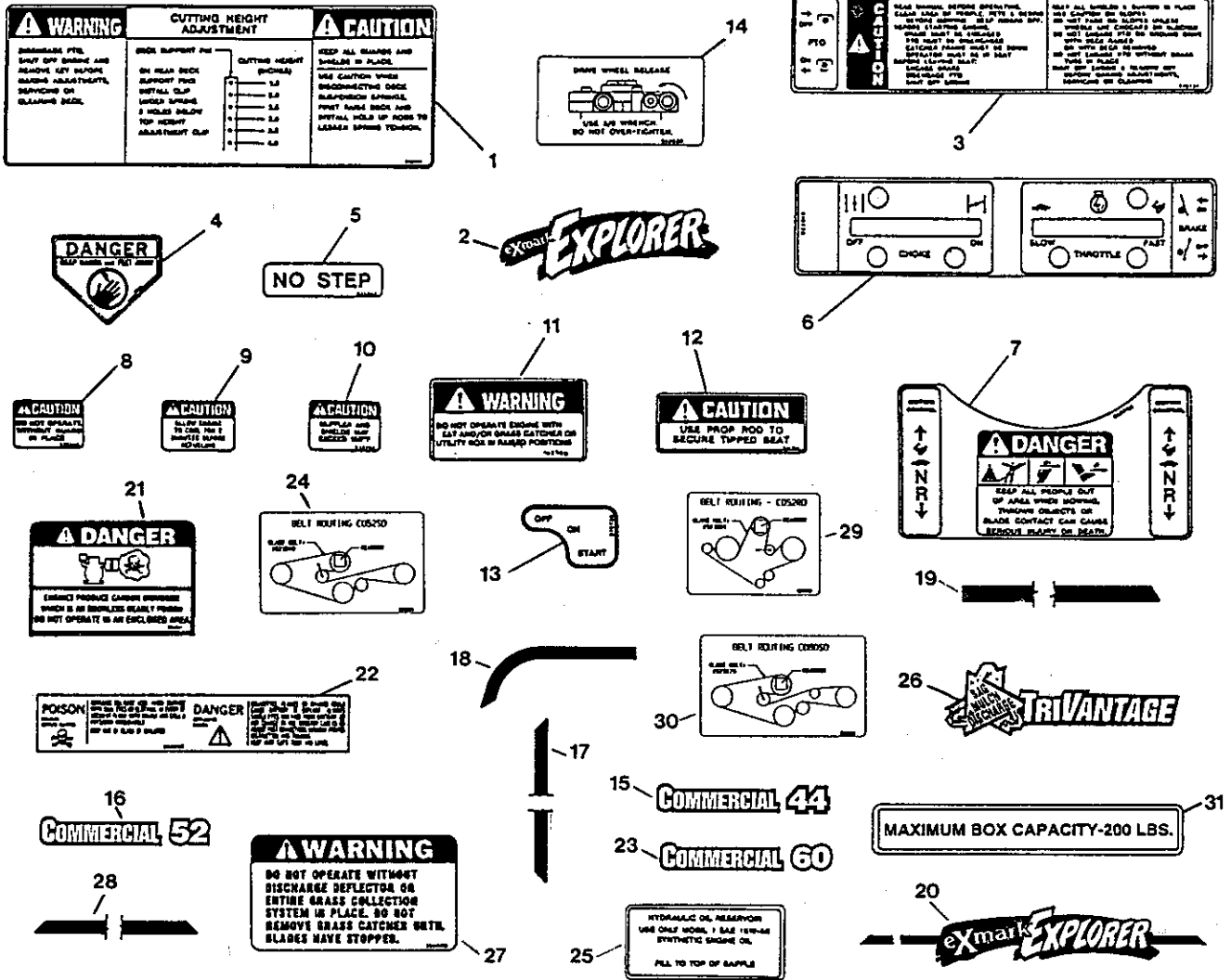


## UTILITY PRIMARY and SECONDARY TRANSFER GROUP

Ref. No.	Part No.	Description	Qty. Req'd.	Ref. No.	Part No.	Description	Qty. Req'd.
1	522365	Panel, rear .....	1	41	806761	Pin, cotter 1/8 x 3/4 .....	5
2	523363	Panel, front .....	1	42	804761	Nut, jam 5/16-18 (LH).....	1
3	523114	Bushing, idler .....	1	43	513705	Body, turn buckle.....	1
4	807014	Key, woodruff 1/4 x 7/8 #807..	3	44	513703	Rod, PTO (lower RH) .....	1
5	800297	Screw, 3/8-16 x 2.25.....	1	45	513034	Bearing, DU .....	4
6	809007	Nut, whizlock 3/8-16 .....	1	46	512261	Bell crank, PTO .....	2
7	523116	Idler, pulley 5" "B" Belt .....	1	47	805267	Washer, 5/8 .....	4
8	373034	Washer, swivel .....	1	48	513586	Rod, PTO (middle) .....	1
9	303327	Washer, disc spring 3/8 .....	1	49	513530	Rod, PTO (upper) .....	1
10	512706	Handle, sub assy. (PTO) .....	1	50	512241	Handle, PTO .....	1
11	800285	Screw, 5/16-18 x 5 .....	8	51	303020	Grip, brake handle .....	1
12	800286	Screw, 5/16-18 x 6 .....	3	52	513059	Sheave, 5.5 O.D. "B" .....	1
13	800271	Screw, 5/16-18 x 3/4 .....	5	53 <sup>f</sup>	803022	Set screw, 5/16-18 x 5/8 .....	2
14	303334	Washer, disc spring 5/16 .....	4	54	807506	Bolt, carriage 5/16-18 x 1 .....	3
15	322110	Belt guide .....	4	55	807503	Bolt, carriage 5/16-18 x 3/4 ....	6
16	805005	Washer, lock 5/16 .....	1	56	523414	Sheave, 6.5" "B" .....	1
17	809001	Nut, whizlock 5/16-18 .....	27	57	513020	Shaft, pump drive .....	1
18	513110	Spacer, 5/16 x 4 .....	13	58	800257	Screw, 1/4-20 x 1-3/4 .....	4
19	512082	Pivot (transfer) .....	1	59	805004	Washer, lock 1/4 .....	4
20	808511	Ring, retaining .....	1	60 <sup>f</sup>	803313	Set screw, 5/16-18 x 5/8 .....	4
21	513588	Bearing, DU .....	4	61	513210	Pulley - Positive Drive .....	1
22	512120	Control, transfer sheave .....	1	62	807272	Key, 5mm Sq. x 25mm .....	2
23	805258	Washer, 5/16 .....	1	63	513079	Belt, drive (positive) .....	1
24	512727	Control assy. (trnsfr. shv.) .....	1	64	513221	Flange, pulley .....	2
25	513028	Spacer, transfer bearing .....	1	65	809012	Nut, whizlock 1/4-20 .....	4
26	513092	Sheave, transfer .....	1	66	513209	Pulley, drive (positive) .....	1
27	512591	Sheave, sub assy. (transfer)...	1	67	513195	Tube, half (PTO shaft) .....	1
28	513689	O" Ring .799 x .103 .....	2	68 <sup>f</sup>	803049	Set screw, 3/8-16 x 3/4 .....	4
29	808504	Ring, retaining .....	2	69	513013	Housing, flange .....	6
30	512096	Plate, transfer sheave .....	1	70	513012	Bearing w/lck clr & stscrw .....	3
31	513566	Spacer, swing arm .....	1	71	523331	Jackshaft, PTO .....	1
32	805263	Washer, 1/2 .....	1	72	512707	Bell Crank - Sub Assy. .....	2
33	806762	Pin, cotter 1/8 x 1 .....	4	73	808502	Ring, retaining .....	2
34	512570	Swing arm .....	1	74	513016	Bearing (flat O.D. w/o clr.) .....	2
35	800032	Bolt, tap 3/8-16 x 3 .....	1	75	805258	Washer, 5/16 .....	1
36	513113	Spring, belt tension .....	2	76	522343	Support, bell crank .....	1
37	811006	Zerk, 1/4 28 .....	1	77	800276	Screw, 5/16-18 x 1 3/4 .....	2
38	523413	V-Belt, "B" sz 43 (PRI.) .....	1	78	800280	Screw, 5/16-18 x 5 1/2 .....	1
39	513037	V-Belt, "B" sz 41.5 (SEC.) .....	1	79	523352	Standoff, bearing .....	6
40	513540	Rod, PTO (lower) .....	1				

<sup>f</sup> Use Pro-lock nut type (Part No. 840022, .5 mm tube) on set screws.

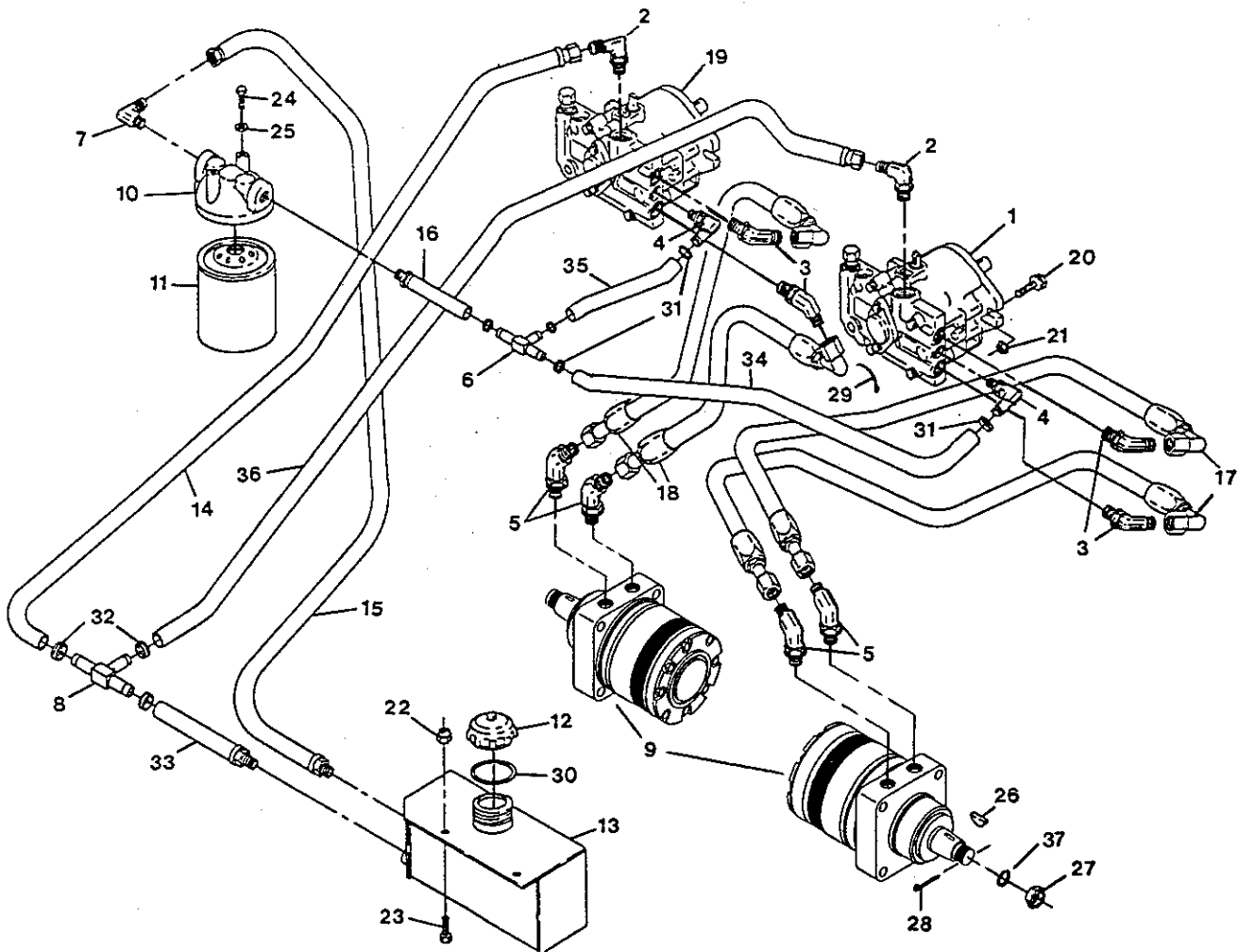
# DECALS



Ref. No.	Part No.	Description	Qty. Req'd.	Ref. No.	Part No.	Description	Qty. Req'd.
1	513741	Deck Decal (44").....	1	18	523382	Corner Stripe Decal LH.....	1
	513900	Deck Decal (52" & 60").....	1	*	523383	Corner Stripe Decal RH.....	1
2	523376	Decal, "Swash".....	2	19	523380	LH Catcher Top Decal.....	1
3	513737	RH Fender Decal.....	1	*	523381	RH Catcher Top Decal.....	1
4	403005	Deck Danger Decal.....	2	20	523378	RH Fender Stripe.....	1
5	513742	No Step Decal.....	2	*	523377	LH Fender Stripe.....	1
6	513736	LH Fender Decal.....	1	21	303481	Decal, Carbon Monoxide.....	1
7	513738	Console Decal.....	1	22	513747	Battery Decal.....	1
8	513748	Guard Decal.....	2	23	613050	Decal, Commercial 60".....	1
9	303293	2 Minute Warning Decal.....	2	24	523324	Decal, blt rtng (52" SD deck)..	1
10	513746	Muffler Decal.....	2	25	513890	Decal, Hyd. Tank.....	1
11	513745	Engine Warning Decal.....	2	26	303520	Decal, Tri-Vantage.....	1
12	513744	Seat Prop Decal.....	1	27	303508	Discharge Warning Decal.....	1
13	513739	Ignition Decal.....	1	28	523379	Utility Box Stripe.....	2
14	513929	Drive Release Decal.....	1	29	523322	Decal, blt rtng (52" RD deck)..	1
15	523417	Decal, Commercial 44".....	1	30	523323	Decal, belt routing (60" deck)..	1
16	403132	Decal, Commercial 52".....	1	31	523137	Maximum Capacity Decal.....	1
17	523384	Catcher Stripe Decal.....	2				

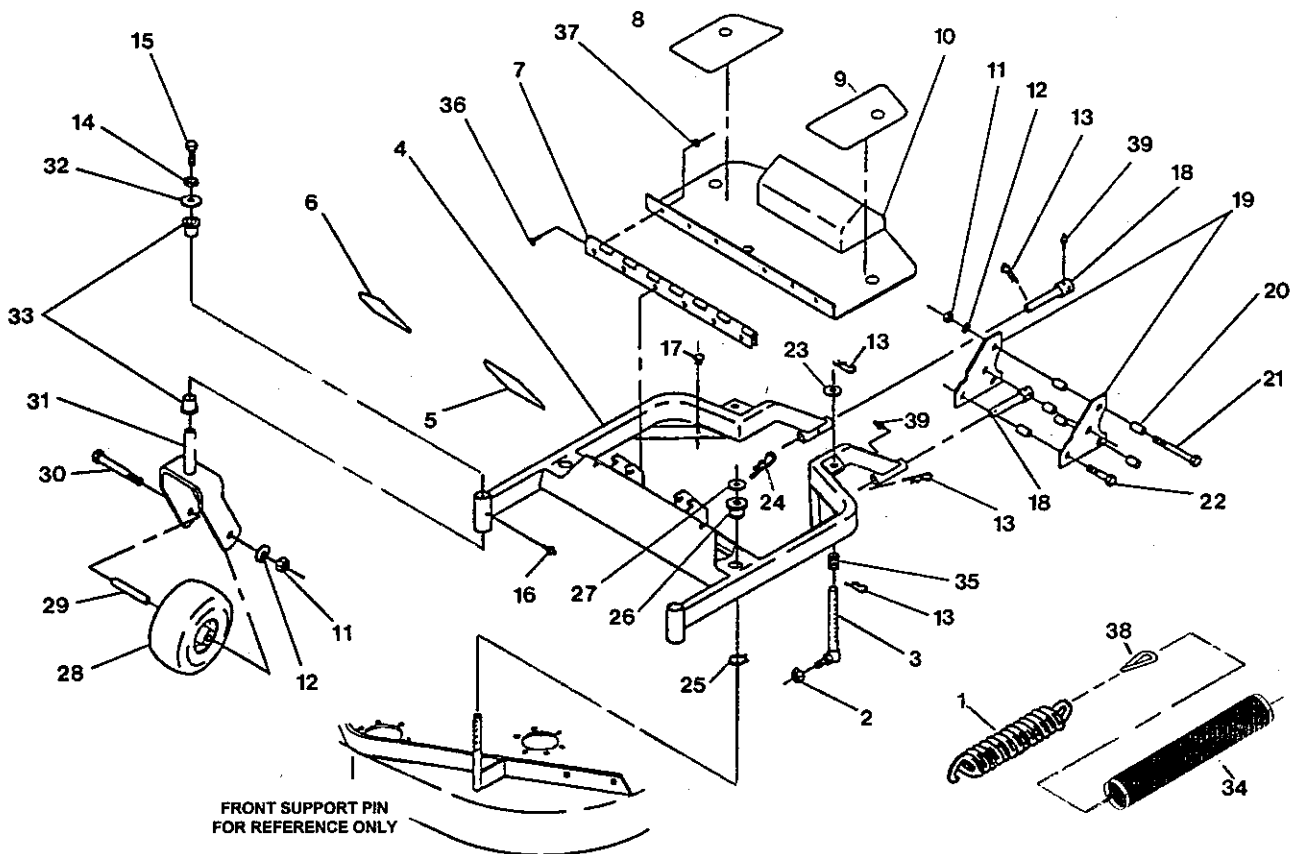
\* Not Illustrated.

## HYDRAULICS with STEERING LEVERS



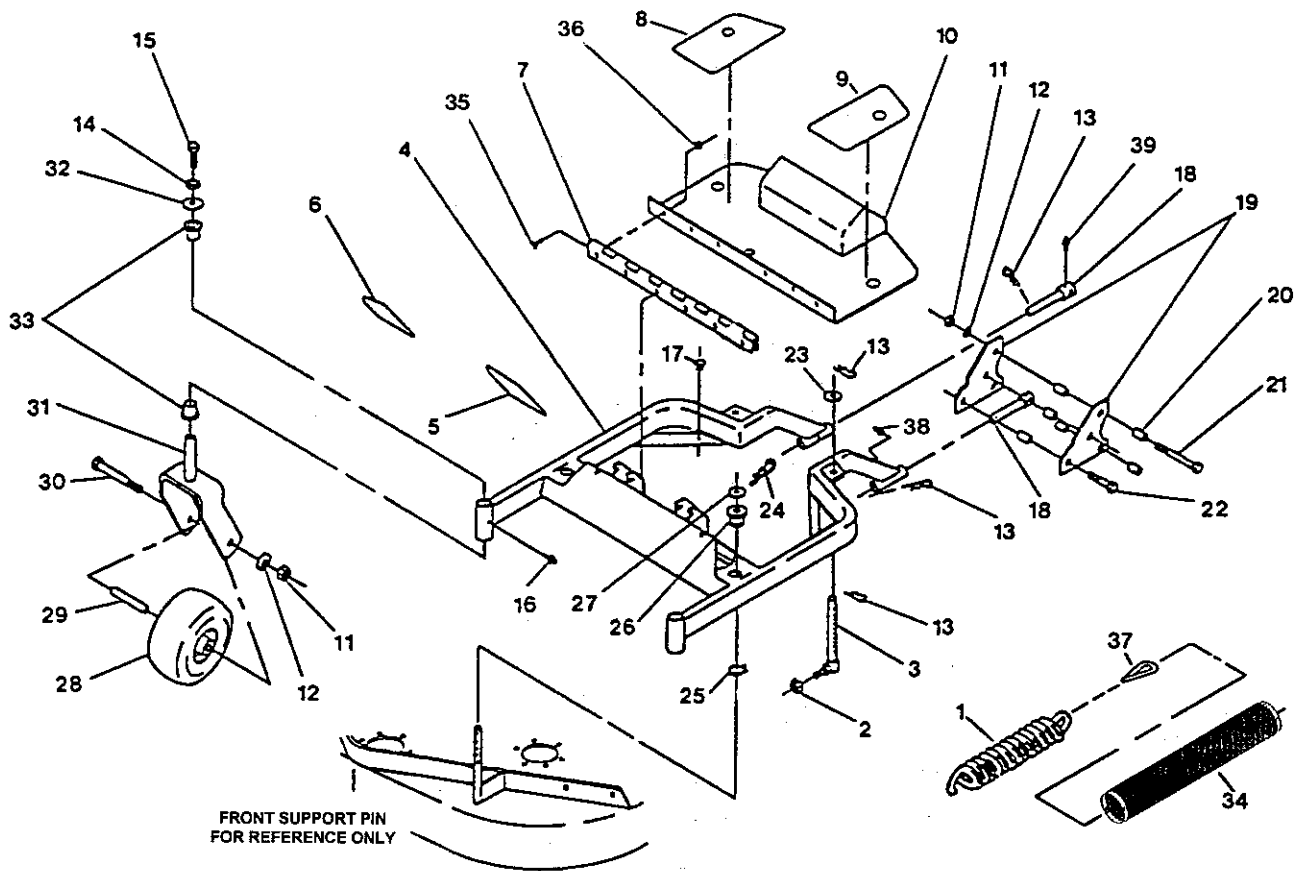
Ref. No.	Part No.	Description	Qty. Req'd.	Ref. No.	Part No.	Description	Qty. Req'd.
1	523187	Pump, hydraulic (LH) .....	1	20	803016	Screw, whizlock 3/8-16 x 1.....	4
2	513840	Elbow, 90° .....	2	21	809007	Nut, whizlock 3/8-16 .....	4
3	523221	Fitting, 45° .....	4	22	804255	Nut, nylock 1/4-20 .....	2
4	603989	Fitting, 90° .....	2	23	800252	Screw, 1/4-20 x 3/4 .....	2
5	523222	Fitting, 45° .....	4	24	800251	Screw, 1/4-20 x 5/8 .....	2
6	603721	Fitting, tee (1/2" hose).....	1	25	805004	Washer, lock 1/4.....	2
7	513509	Fitting, 90° .....	1	26	807020	Key, wdrrf .31 x 1.....	2
8	603722	Fitting, tee (3/8" hose).....	1	27	809039	Nut, slotted 1.00-20 .....	2
9	523328	Motor, wheel .....	2	28	806800	Pin, cotter 9/64 x 1-1/2 .....	2
10	513006	Head, filter .....	1	29	303335	Tie, plastic .....	1
11	513211	Element, oil filter .....	1	30	523103	Gasket, hyd. tank .....	1
12	513167	Cap, hydraulic reservoir.....	1	31	603826	Clamp, hose 1/2" .....	3
13	512166	Reservoir, hydraulic fluid .....	1	32	603827	Clamp, hose 5/8" .....	5
14	522217	Hose, low pressure (7") .....	1	33	522219	Hose, low pressure (3").....	1
15	522216	Hose, supply (13") .....	1	34	523214	Hose, low pressure (12").....	1
16	522215	Hose, low pressure (4 1/4") ....	1	35	523213	Hose, low pressure (4.3").....	1
17	403102	Hose, pump/motor (LH) .....	2	36	522218	Hose, low pressure (10").....	1
18	523325	Hose, pump/motor (RH).....	2	37	523157	Shim .....	As Req'd.
19	523188	Pump, hydraulic (RH) .....	1				

## 44" & 52" REAR DISCHARGE MOWER DECK SUPPORT



Ref. No.	Part No.	Description	Qty. Req'd.	Ref. No.	Part No.	Description	Qty. Req'd.
1	513596	Spring, deck support.....	4	19	522314	Bracket, deck pivot.....	4
2	803031	Nut, torque 3/8-24 UNF .....	2	20	513315	Spacer, pivot mounting.....	12
3	513528	Link, rear deck support (44" deck).....	2	21	800332	Screw, 1/2-13 x 5-1/2 .....	4
	603540	Link, rear deck support (52" deck).....	2	22	800333	Screw, 1/2-13 x 2-1/2 .....	4
4	524099	Support wldmnt, 44" deck (w/bushings & decals).....	1	23	805267	Washer, 5/8 .....	2
	524098	Support wldmnt, 52" deck (w/bushings & decals).....	1	24	806007	Clip, hair pin 7/8.....	2
5	513680	Pad, anti skid (upper LH).....	1	25	808507	Ring, retaining .....	2
6	513679	Pad, anti skid (upper RH) .....	1	26	513336	Bushing, deck support.....	2
7	513413	Hinge, floor pan (44" deck) ....	1	27	513338	Washer .....	2
	513854	Hinge, floor pan (52" deck) ....	1	28	513648	Wheel & tire assy .....	2
8	513681	Pad, anti skid (lower RH).....	1		513807	Wheel .....	2
9	513682	Pad, anti skid (lower LH).....	1		513808	Tire, 9 x 3.50-4 .....	2
10	512419	Floor pan, (44" deck) .....	1		513809	Bearing .....	2
	512874	Floor pan, (52" deck) .....	1		513810	Bushing.....	4
11	804509	Nut, 1/2-13 .....	10	29	513547	Spacer, front caster .....	2
12	805008	Washer, lock 1/2 .....	10	30	800334	Screw, 1/2-13 x 6 .....	2
13	806006	Clip, hair pin 5/8 .....	6	31	512549	Caster, (front, 44" deck) .....	2
14	805006	Washer, lock 3/8 .....	2		522143	Caster, (front, 52" deck) .....	2
15	800292	Screw, 3/8-16 x 1 Gr.5.....	2	32	373034	Washer, swivel .....	2
16	811001	Zerk, 1/8 NPT (straight).....	2	33	303514	Bearing, flanged .....	4
17	513658	Rubber Bumper .....	2	34	543427	Cover, spring .....	4
18	522317	Pivot mounting w/zerk.....	2	35	373054	Spring (44" deck only) .....	2
				36	801039	Screw, 10-24 x 5/8 .....	12
				37	804252	Nut, nylock 10-24 .....	12
				38	523431	Link, deck spring .....	4
				39	811006	Zerk, 1/4-28 (straight).....	4

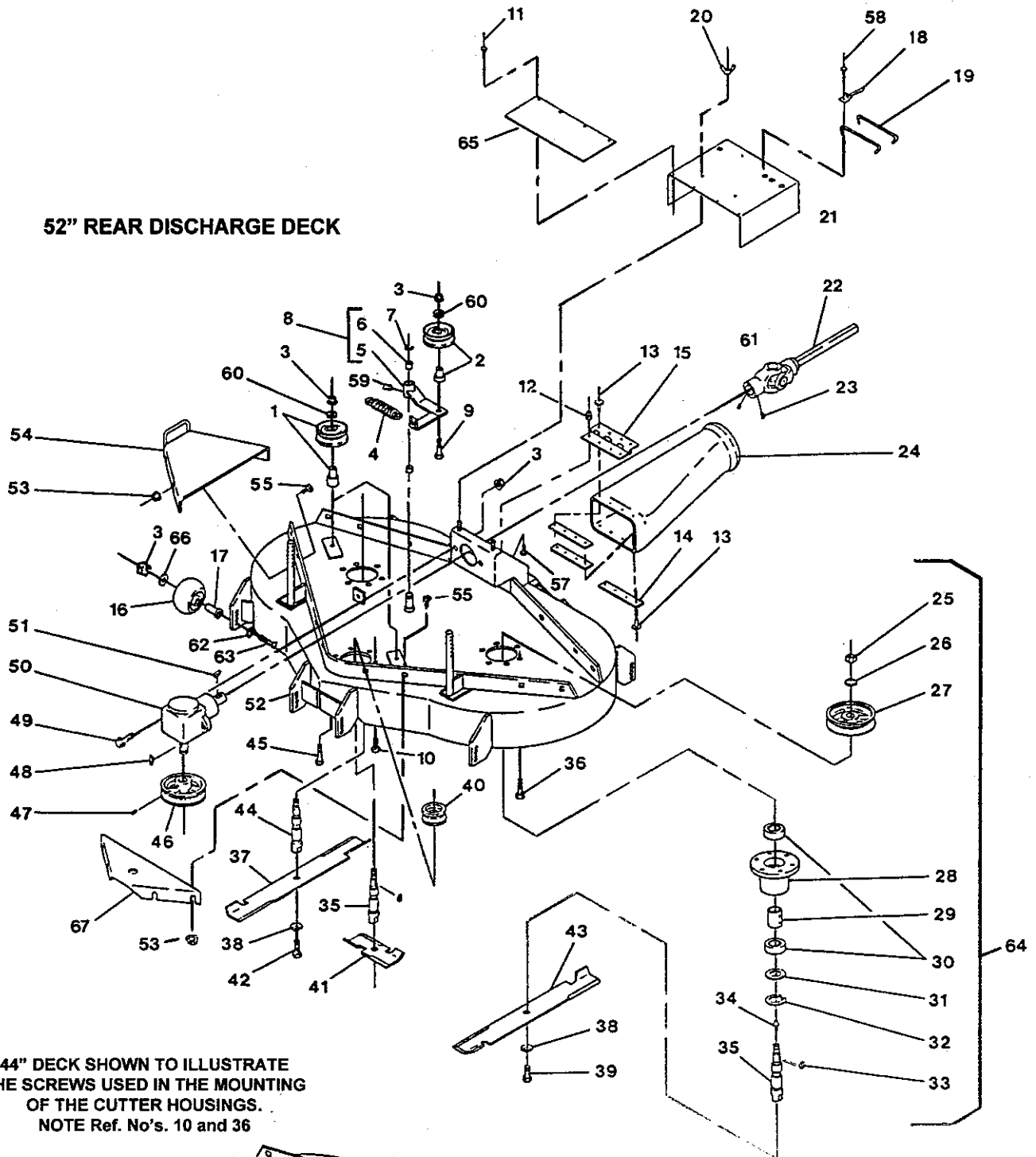
## 52" & 60" SIDE DISCHARGE MOWER DECK SUPPORT



Ref. No.	Part No.	Description	Qty. Req'd.	Ref. No.	Part No.	Description	Qty. Req'd.
1	513596	Spring, deck support.....	4	20	513315	Spacer, pivot mounting.....	12
2	803031	Nut, torque 3/8-24 UNF.....	2	21	800332	Screw, 1/2-13 x 5-1/2.....	4
3	603540	Link, rear deck support.....	2	22	800333	Screw, 1/2-13 x 2-1/2.....	4
4	524098	Support wldmnt, 52" deck (w/bushings & decals).....	1	23	805267	Washer, 5/8.....	2
	522301	Support wldmnt, 60" deck (w/bushings & decals).....	1	24	806007	Clip, hair pin 7/8.....	2
5	513680	Pad, anti skid (upper LH).....	1	25	808507	Ring, retaining.....	2
6	513679	Pad, anti skid (upper RH).....	1	26	513336	Bushing, deck support.....	2
7	513854	Hinge, floor pan.....	1	27	513338	Washer.....	2
8	513681	Pad, anti skid (lower RH).....	1	28	513648	Wheel & tire assy.....	2
9	513682	Pad, anti skid (lower LH).....	1		513807	Wheel.....	2
10	512874	Floor pan, (52" deck).....	1		513808	Tire, 9 x 3.50-4.....	2
	522173	Floor pan, (60" deck).....	1		513809	Bearing.....	2
11	804509	Nut, 1/2-13.....	10		513810	Bushing.....	4
12	805008	Washer, lock 1/2.....	10	29	513547	Spacer, front caster.....	2
13	806006	Clip, hair pin 5/8.....	6	30	800334	Screw, 1/2-13 x 6.....	2
14	805006	Washer, lock 3/8.....	2	31	522143	Caster wldmnt (front).....	2
15	800292	Screw, 3/8-16 x 1 Gr.5.....	2	32	373034	Washer, swivel.....	2
16	811001	Zerk, 1/8 NPT (straight).....	2	33	303514	Bearing, flanged.....	4
17	513658	Rubber Bumper.....	2	34	543427	Cover, spring.....	4
18	522317	Pivot mounting w/zerk.....	2	35	801039	Screw, 10-24 x 5/8.....	12
19	522314	Bracket, deck pivot.....	4	36	804252	Nut, nylock 10-24.....	12
				37	523431	Link, deck spring.....	4
				38	811006	Zerk, 1/4-28 (straight).....	4

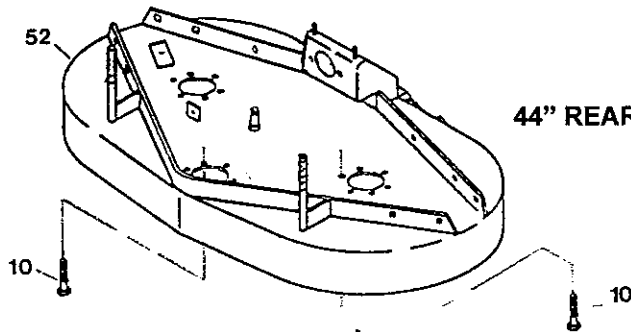
# 44" & 52" REAR DISCHARGE MOWER DECKS

## 52" REAR DISCHARGE DECK



44" DECK SHOWN TO ILLUSTRATE THE SCREWS USED IN THE MOUNTING OF THE CUTTER HOUSINGS.  
NOTE Ref. No's. 10 and 36

## 44" REAR DISCHARGE DECK



ALTHOUGH THE 44" DECK ASSEMBLY IS SIMILAR TO THE 52" DECK, IT DOES NOT HAVE THE ANTI-SCALP ROLLERS, THE FRONT IDLER OR FRONT BELT GUARD

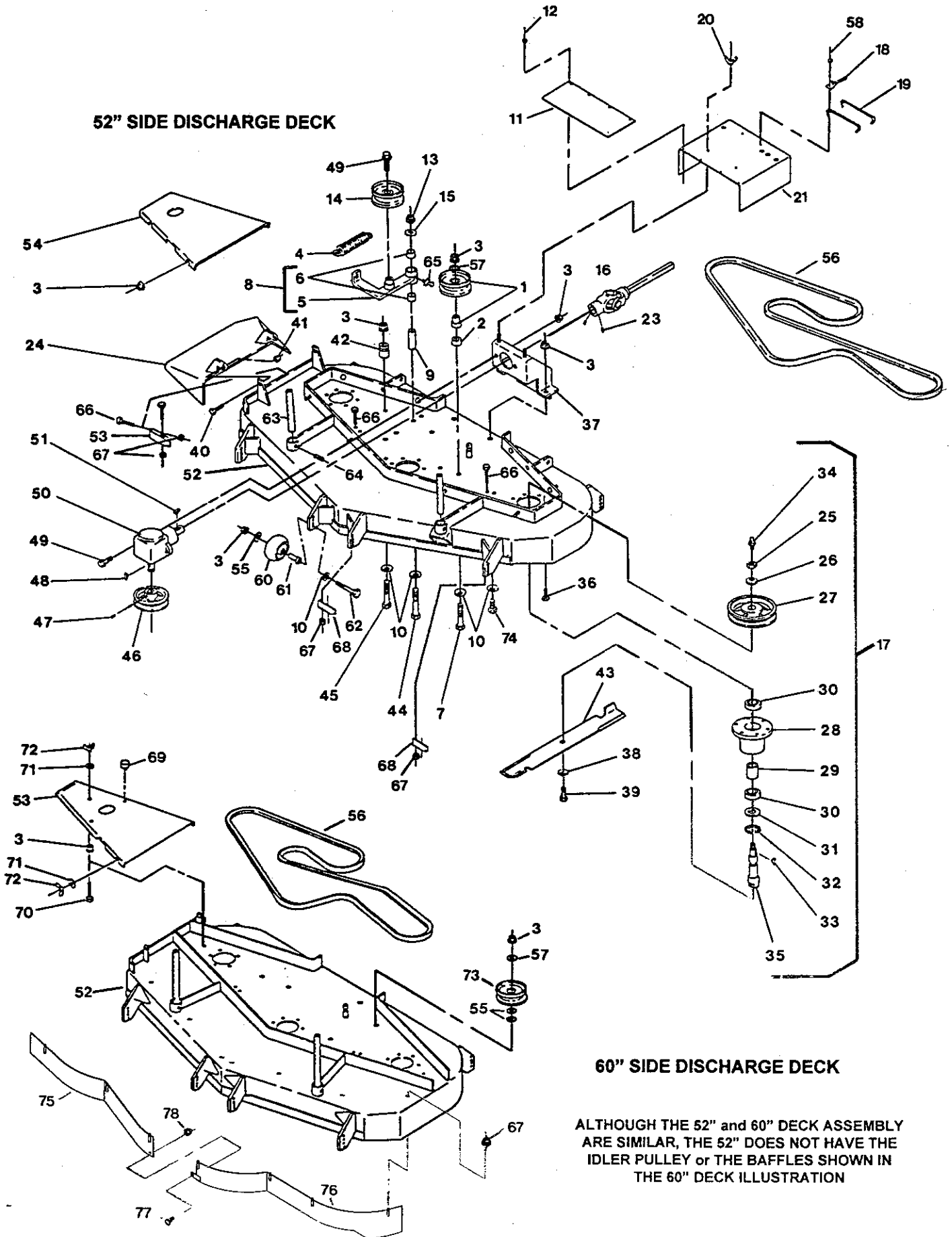
## 44" & 52" REAR DISCHARGE MOWER DECKS

Ref. No.	Part No.	Description	Qty. Req'd.	Ref. No.	Part No.	Description	Qty. Req'd.
1	512805	Idler & Bushing Kit (44" deck)	1	39	800531	Screw, 1/2-20 x 1	2
		(52" deck)	2	40	513192	Sheave, bld drv (44" deck)	1
	513787	Idler Pulley (44" deck)	1	40	513976	Sheave, blade drv (52" deck)	1
		(52" deck)	2	41	513264	Blade, 7" (44" deck)	1
	513789	Bushing (44" deck)	1		513972	Blade, 10" (52" deck)	1
		(52" deck)	2	42	800532	Screw, 1/2-20 x 1 UNF (LH)	1
2	512806	Idler & Bushing Kit	1	43	513263	Blade, 22" LH (44" deck)	1
	513787	Idler V-Belt	1		513875	Blade, 26" LH (52" deck)	1
	513791	Bushing	1		513973	Blade, 26" LH low lift (52")	1
3	809007	Nut, whizlock 3/8-16	4	44	513189	Spindle, blade (LH thread)	1
4	513308	Spring, deck idler	1	45	800297	Screw, 3/8-16 x 2 1/4	1
5	512359	Idler wldmnt, deck drive	1	46	523397	Sheave, 5.45 O.D. (44" deck)	1
6	513034	Bearing, DU	2		523159	Sheave, 6.45 O.D. (52" deck)	1
7	808500	E-Ring	1	47 <sup>f</sup>	803310	Set screw, 5/16-18 x 3/8	1
8	512802	Idler arm sub assy	1	48	807009	Key, wdrrf 3/16 x 3/4 #9	1
9	800295	Screw, 3/8-16 x 1 3/4	1	49	803016	Screw, whizlock 3/8-16 x 1	2
10	809027	Screw, taptite 3/8-16 x 3/4	1	50	513635	Gearbox, mower deck	1
		(52" deck)	6	51	807005	Key, wdrrf 5/32 x 5/8 #6	1
		(44" deck)	18	52	512250	Deck wldmnt (44" deck)	1
11	803035	Rivet, 3/16 x 1/4	4		522263	Deck wldmnt (52" deck)	1
12	804252	Nut, nylock #10-24	4	53	809001	Nut, whzck 5/16-18 (44" deck)	8
13	803012	Rivet, 3/16 x 3/8	8			Nut, whzck 5/16-18(52" deck)	12
14	513429	Stiffener, discharge chute	3	54	512849	Guard, belt (44" deck)	2
15	513436	Hinge, discharge chute	1		512988	Guard, belt (52" deck)	2
16	603299	Roller, anti-scalp (52" deck)	6	55	807503	Bolt, carriage 5/16-18 x 3/4	
17	603602	Bushing, roller (52" deck)	6			(44" deck)	8
18	513690	Clip, deck hold-up rod	2			(52" deck)	12
19	513630	Rod, deck hold-up (44" deck)	2	56	513307	Belt, deck drive (44" deck)	1
	513879	Rod, deck hold-up (52" deck)	2		513984	Belt, deck drive (52" deck)	1
20	513959	Wingnut 5/16-18	2	57	807513	Bolt, carriage 10-24 x 1/2	4
21	523402	Guard, PTO	1	58	803010	Rivet, 3/16 x 1/4	2
22	513196	PTO shaft, shaft half	1	59	811008	Zerk, 1/4-28 (90°)	1
23 <sup>f</sup>	803049	Set screw, 3/8-16 x 3/4	2	60	805258	Washer 5/16 (44" deck)	2
24	513046	Tube, discharge extension	1		805258	Washer 5/16 (52" deck)	3
	512710	Discharge tube sub assy	1	61	523518	U-joint	1
25	804510	Nut, 5/8-18 UNF	3	62	303327	Washer, sprng (52" deck)	6
26	513208	Washer, spring disk	3	63	800807	Screw, 3/8-16 x 4 (52" deck)	6
27	513207	Sheave, bld drv (44" deck)	2	64	514214	Housing, cutter complete,	
	513983	Sheave, bld drv (52" deck)	2			center (44" deck)	1
28	513186	Housing, bearing	3		514218	Housing, cutter complete,	
29	513188	Spacer, bearing	3			left (44" deck)	1
30	303057	Bearing, ball	6		514219	Housing, cutter complete,	
31	513193	Seal, dust	3			right (44" deck)	1
32	808506	Ring, retaining	3		514991	Housing, cutter complete,	
33	807006	Key, woodruff #61	3			center (52" deck)	1
34	811006	Zerk, 1/4-28 (straight)	3		514943	Housing, cutter complete,	
35	513190	Spindle, blade (RH thread)	2			left (52" deck)	1
36	809035	Screw, tap 3/8-16 x 1 (52" dk)	12		514942	Housing, cutter complete,	
37	513262	Blade, 22" RH (44" deck)	1			right (52" deck)	1
	513876	Blade, 26" RH (52" deck)	1	65	523403	Shield, gearbox (rubber)	1
	513974	Blade, 26" RH low lift (52" dk)	1	66	373034	Washer, swivel	8
38	513435	Washer, spring disc 1/2	3	67	513990	Guard, belt (front)	1

<sup>f</sup> Use Pro-lock nut type (Part No. 840022, .5 ml tube) on set screws.

# 52" & 60" SIDE DISCHARGE MOWER DECKS

## 52" SIDE DISCHARGE DECK



## 60" SIDE DISCHARGE DECK

ALTHOUGH THE 52" and 60" DECK ASSEMBLY ARE SIMILAR, THE 52" DOES NOT HAVE THE IDLER PULLEY or THE BAFFLES SHOWN IN THE 60" DECK ILLUSTRATION

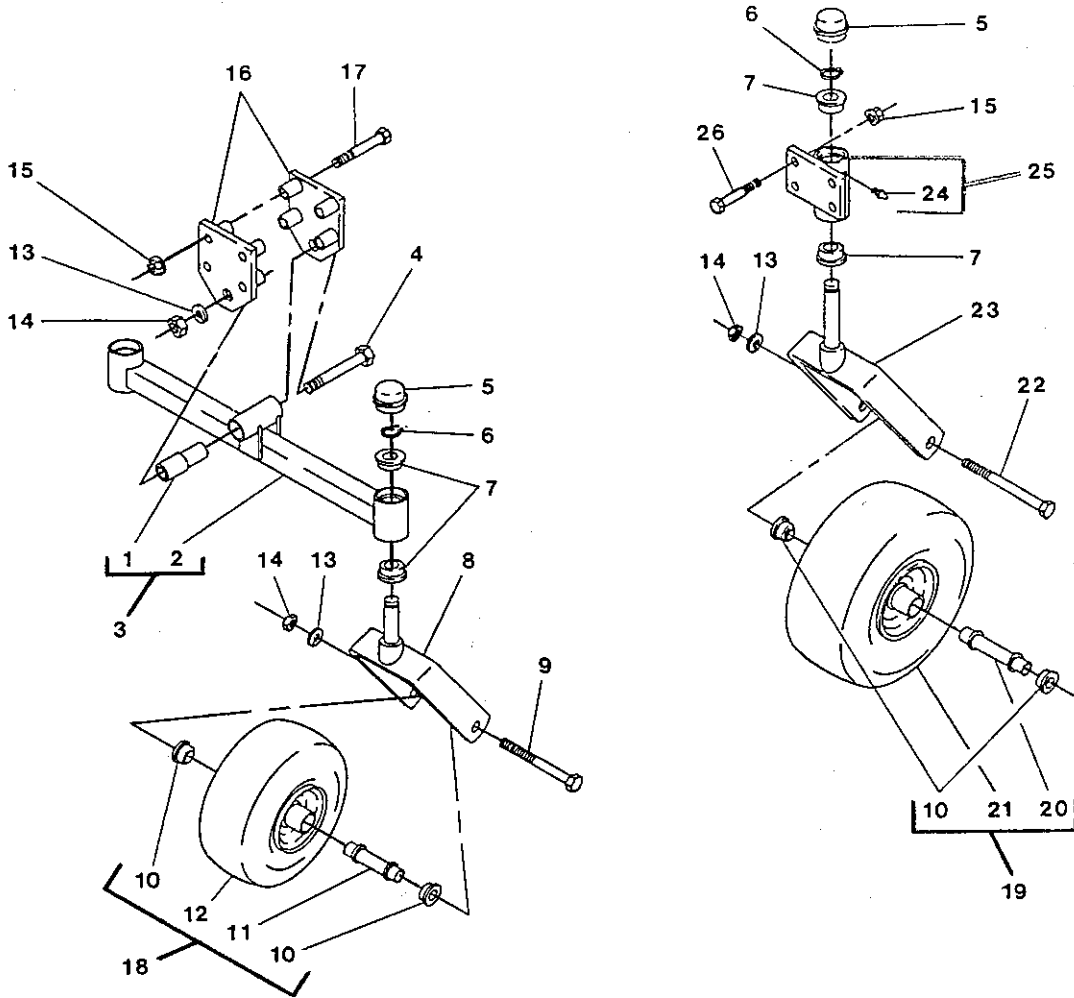
## 52" & 60" SIDE DISCHARGE MOWER DECKS

Ref. No.	Part No.	Description	Qty. Req'd.	Ref. No.	Part No.	Description	Qty. Req'd.
1	602501	Idler & Bushing Kit .....	1	43	603637	Blade, 18" (52" deck) .....	3
	603497	Idler Pulley .....	1		603844	Blade, low lift (52" deck) .....	3
	603496	Bushing .....	1	†	603873	Blade, mulching (52" deck) .....	3
2	603050	Spacer .....	1		603283	Blade, 20 1/2" (60" deck) .....	3
3	809007	Nut, whizlock 3/8-16 .....	21		603661	Blade, low lift (60" deck) .....	3
4	513170	Spring, deck idler (52" deck) ...	1	†	603874	Blade, mulching (60" deck) .....	3
5	512909	Idler wldmnt, deck drive .....	1	44	800298	Screw, 3/8-16 x 2 1/2 .....	1
6	513034	Bearing, DU .....	2	45	800296	Screw, 3/8-16 x 2 .....	1
7	800297	Screw, 3/8-16 x 2 1/4 (52" dk)	1	46	523159	Sheave, 6.45 OD (52" deck) ...	1
		(60" deck) .....	2		523398	Sheave, 6.25 OD (60" deck) ...	1
8	512935	Idler arm sub assy .....	1	47f	803310	Set screw, 5/16-18 x 3/8 .....	1
9	603044	Bushing, idler pivot .....	1	48	807009	Key, wdrrf #9, 3/16 x 3/4 .....	1
10	303327	Washer, 3/8 dsc sprng		49	803016	Screw, whizlock 3/8-16 x 1 .....	2
		(52" deck) .....	13	51	807005	Key, wdrrf #6, 5/32 x 5/8 .....	1
		(60" deck) .....	14	52	522344	Deck (52") w/discharge baffle,	
11	523403	Shield, PTO (rubber) .....	1			pins and decals .....	1
12	803035	Rivet, 3/16 x 1/4 .....	4		522345	Deck (60") w/discharge baffle,	
13	804257	Nut, nylock 3/8-16 .....	1			pins and decals .....	1
14	603497	Pulley, idler .....	1	53	602913	Baffle .....	1
15	805260	Washer, 3/8 .....	1	54	513906	Cover, deck (52" deck) .....	2
16	523518	U-joint .....	1		523166	Cover, deck (60" deck) .....	2
17	604262	Housing, cutter (complete) .....	3	55	373034	Washer, swivel (52" deck) .....	6
18	513690	Clip, deck hold-up rod .....	2		373034	Washer, swivel (60" deck) .....	8
19	513879	Rod, deck hold-up .....	2	56	513910	Belt, deck drive (52" deck) .....	1
	523434	Rod, deck hold-up (60" deck) .	2		523175	Belt, deck drive (60" deck) .....	1
20	513959	Wingnut, 5/16-18 .....	2	57	805258	Washer, 5/16 (52" deck) .....	2
21	523402	Guard, PTO .....	1			Washer, 5/16 (60" deck) .....	3
22	513196	PTO shaft, shaft half .....	1	58	803010	Rivet, 3/16 .....	2
23f	803049	Set screw, 3/8-16 x 3/4 .....	2	59	811001	Zerk, 1/8-27 straight .....	2
24	602571	Chute, discharge (52" deck) ...	1	60	603299	Roller, anti-scalp .....	6
	542606	Chute, discharge (60" deck) ...	1	61	603602	Bushing, roller .....	6
25	804510	Nut, 5/8-18 UNF .....	3	62	800807	Screw, 3/8-16 x 4 .....	6
26	513208	Washer, spring disk .....	3	63	603001	Rod, deck support .....	2
27	513207	Sheave, bld drv 6.55 OD .....	2	64	806332	Roll pin, 1/4 x 1 1/2 .....	2
28	513186	Housing, bearing .....	3	65	811008	Zerk, 1/4-28 (90°) .....	1
29	513188	Spacer, bearing .....	3	66	800270	Screw, 5/16-18 x 5/8 .....	17
30	303057	Bearing, ball .....	6	67	809001	Nut, whizlock 5/16-18 .....	17
31	513193	Seal, dust .....	3			(60" deck) .....	24
32	808506	Ring, retaining .....	3	68	602911	Baffle .....	2
33	807006	Key, woodruff #61 .....	3	69	513291	Bumper, seat (60" deck) .....	2
34	811006	Zerk, 1/4-28 (straight) .....	3	70	800031	Bolt, tp 3/8-16 x 2 3/4 (60" dk)	2
35	603031	Spindle, blade .....	3	71	805259	Washer, 3/8 (60" deck) .....	6
36	809035	Screw, tap 3/8-16 x 1 .....	18	72	543678	Wingnut, nyk 3/8-16 (60" dk) .	6
37	512904	Support, gearbox (52" deck) ...	1	73	303516	Pulley, idler .....	1
	522161	Support, gearbox (60" deck) ...	1	74	800292	Screw, 3/8-16 x 1 .....	4
38	513435	Washer, spring disc 1/2 .....	3	75	632235	Baffle (60" deck) .....	1
39	800531	Screw, 1/2-20 x 1 .....	3	76	632237	Baffle (60" deck) .....	1
40	800273	Screw, 5/16-18 x 1 .....	2	77	807512	Bolt, carriage 1/4-20 x 3/8 .....	1
41	804256	Nut, nylock 5/16-18 .....	2	78	809012	Nut, whizlock 1/4-20 .....	1
42	603422	Anchor, spring .....	1				

f Use Pro-lock nut type (Part No. 840022, .5 ml tube) on set screws.

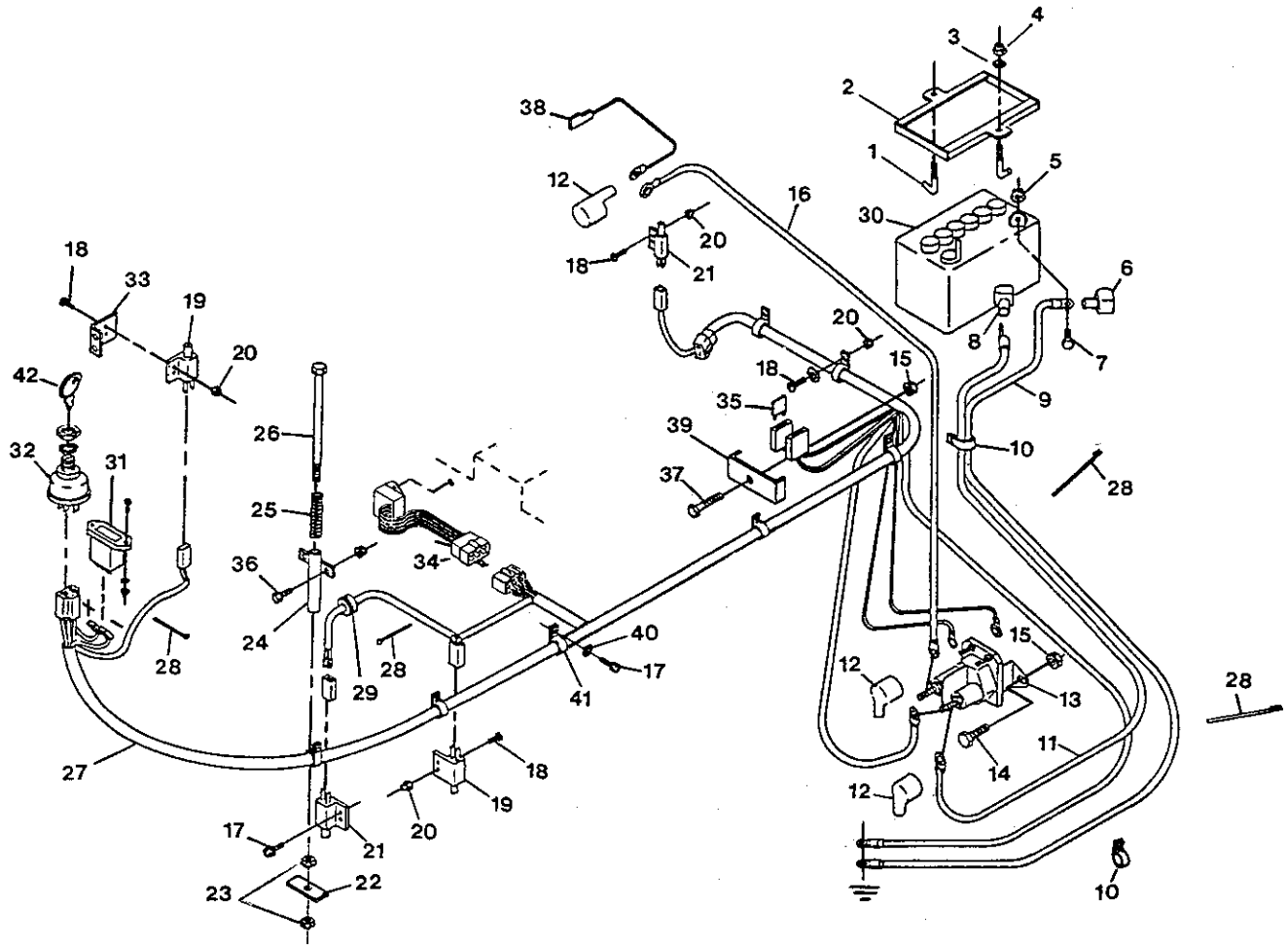
† Requires installation of Micro-Mulch Kit, Part No. MK52-2 (52" deck) and MK60-2 (60" deck).

## DOUBLE & SINGLE CASTER WHEELS



Ref. No.	Part No.	Description	Qty. Req'd.	Ref. No.	Part No.	Description	Qty. Req'd.
1	513086	Bushing, Pivot.....	1	13	805008	Washer, 1/2 (double caster) ...	3
2	512651	Beam, caster.....	1		805008	Washer, 1/2 (single caster) ....	1
3	512708	Caster beam w/bushing.....	1	14	804509	Nut, 1/2-13 (double caster).....	3
4	800834	Screw, 1/2-13 x 5.....	1		804509	Nut, 1/2-13 (single caster).....	1
5	513649	Cap, grease (double caster) ...	2	15	809007	Nut, 3/8-16.....	4
	513649	Cap, grease (single caster).....	1	16	522004	Mount, caster.....	2
6	808508	Ring, rtng (double caster).....	2	17	800303	Screw, 3/8-16 x 4-1/2.....	4
	808508	Ring, rtng (single caster).....	1	18	512373	Caster wheel sub assy.....	2
7	513104	Bearing, ball (double caster)...	4	19	522036	Caster wheel assy.....	1
	513104	Bearing, ball (single caster) ....	2	20	522011	Spacer wldmnt, wheel.....	1
8	512653	Caster wldmnt.....	2	21	523007	Whl & tire assy, 13 x 6.50-6 ...	1
9	800836	Screw, 1/2-13 x 6-1/2.....	2		523008	Wheel.....	1
10	513009	Bearing, whl (double caster)...	4		523009	Tire, 13 x6.50-6.....	1
	513009	Bearing, whl (single caster) ....	2	22	800335	Screw, 1/2-13 x 9.....	1
11	512001	Spacer wldmnt, wheel.....	2	23	522016	Caster wldmnt.....	1
12	513058	Wheel & tire assy.....	2	24	811006	Zerk, 1/4-28 (straight).....	1
	513023	Wheel.....	2	25	522006	Mount, caster w/zerk.....	1
	513032	Tire, 11 x 4.00-5.....	2	26	800298	Screw, 3/8-16 x 2-1/2.....	4

# ELECTRICAL GROUP



Ref. No.	Part No.	Description	Qty. Req'd.	Ref. No.	Part No.	Description	Qty. Req'd.
1	513370	Bolt, hold down .....	2	22	513180	Actuator, seat switch .....	1
2	512320	Hold down, battery .....	1	23	809001	Nut, whizlock 5/16-18 .....	2
3	805256	Washer, 1/4 .....	2	24	522424	Mount, spring (seat) .....	1
4	804255	Nut, nylock 1/4-20 .....	2	25	523415	Spring, seat switch .....	1
5	809001	Nut, whizlock 5/16-18 .....	2	26	800282	Screw, 5/16-18 x 7 Gr.5 .....	1
6	543390	Insulator, battery (-) .....	1	27	523426	Harness, wire .....	1
7	800271	Screw, 5/16-18 x 3/4 .....	2	28	303287	Tie, plastic (small) .....	4
8	543391	Insulator, battery (+) .....	1	29	513765	Grommet, .38 hole .....	1
9	523282	Wire, battery (-) to eng. blk ...	1	30	513002	Battery, 12 Volt .....	1
10	513762	Clip, .50 loom .....	2	31	513374	Meter, engine hours .....	1
11	523279	Wire, battery (+) to sol. sw .....	1	32	543070	Switch, ignition .....	1
12	543393	Insulator, solenoid .....	3	33	513534	Bracket, PTO switch mount .....	1
13	513075	Switch, 12V solenoid .....	1	34	543316	Module, safety interlock .....	1
14	800251	Screw, 1/4-20 x 5/8 .....	2	35	816001	Fuse, blade type 20 AMP .....	2
15	809012	Nut, whizlock 1/4-20 .....	4	36	800252	Screw, 1/4-20 x 3/4 .....	2
16	523281	Wire, sol. sw. to starter .....	1	37	800256	Screw, 1/4-20 x 1-1/2 .....	1
17	802002	Screw, sif. tap #10-32 x 1/2 .....	7	38	543084	Wire, starter solenoid .....	1
18	801039	Screw, #10-24 x 5/8 .....	9	39	603434	Clip, fuse block .....	1
19	513051	Switch, N.O. .....	2	40	805254	Washer, #12 .....	7
20	804252	Nut, #10-24 .....	9	41	603727	Clip, .56 loom .....	7
21	513152	Switch, N.C. .....	2	42	603511	Key, ignition .....	1

**SEE EXMARK'S COMPLETE  
LINE OF PRODUCTS FOR TURF CARE**

**LAZER Z**

**EXPLORER**

**EXPLORER II**

**TURF RANGER**

**TURF TRACER HYDRO**

**VIKING**

**VIKING HYDRO**

**METRO**

**SELF STEERING SULKY**

**TURF RAKE**

**GRASS CATCHER**

**MICRO-MULCHING ACCESSORY**

**EXMARK MFG. CO. INC.  
INDUSTRIAL PARK BOX 808  
BEATRICE, NE. 68310**

**ALL RIGHTS RESERVED**

**PART NO. [REDACTED]  
(402) 223-4010  
FAX (402) 223-4154**

**PRINTED IN U.S.A.**

