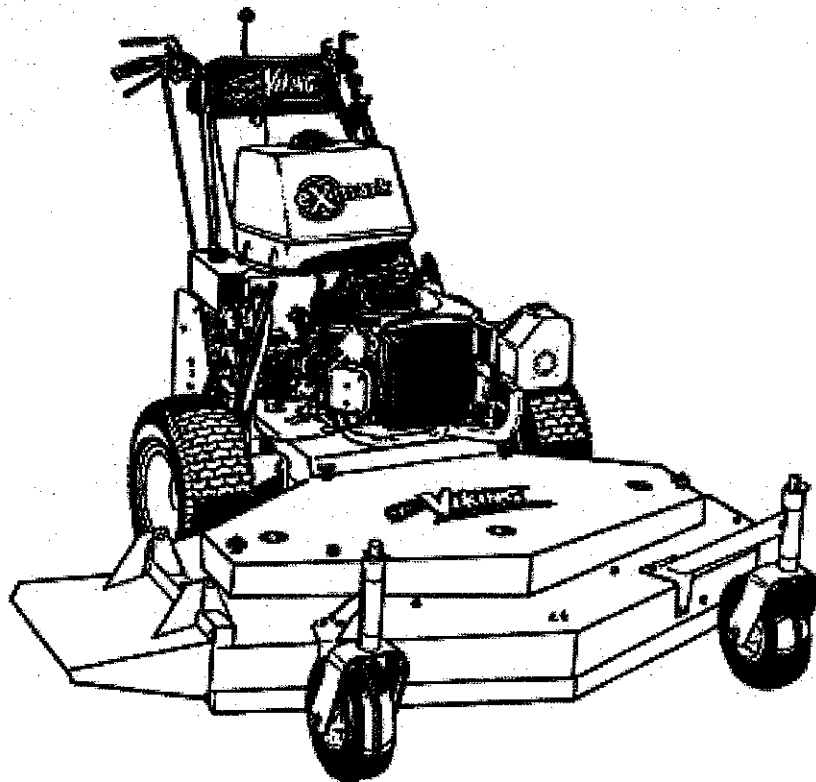


For Serial Nos.
190,000 & Higher



PARTS MANUAL

VIKING HYDRO

CONGRATULATIONS on the purchase of your new Exmark mower. This product has been carefully designed and manufactured to give you a maximum amount of dependability and years of trouble-free operation.

If additional information is needed, or should you require trained mechanic service, contact your authorized Exmark equipment dealer or distributor.

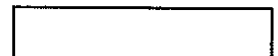
If you need to order replacement parts from your dealer, always give the model number and serial number of your mower as well as the part number, description and quantity of the part needed.

The Serial No. plate is located on top front engine frame on the right hand side of the machine.

For ease of ordering and reference, we suggest that you record the information requested in the following identification table.

Model No. _____
Serial No. _____
Engine Model No. _____
Engine Serial No. _____
Date Purchased _____

Paste Label From
Literature Packet Here



EXMARK PARTS PLUS® PROGRAM

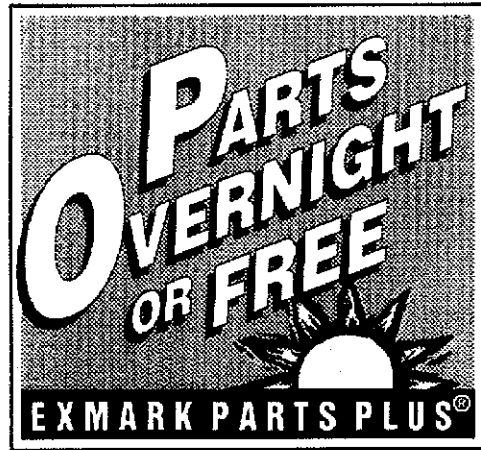
EFFECTIVE DATE: September 1, 1995

Program

If your Exmark dealer does not have the Exmark part in stock, Exmark will get the parts to the dealer the next business day or the part will be FREE* Guaranteed!!

How the Program Works

1. If dealer does not have part in stock for a "down" unit at the time of request by customer, the dealer contacts his distributor by 1:00 p.m., local time, and requests Exmark Parts Plus® shipment of six (6) line items or less.
2. Distributor ships part(s) to dealer or customer, as requested by dealer, same day, overnight UPS Distributor bills dealer for part and freight charges where applicable.
3. If distributor does not have the part(s) in stock to satisfy Exmark Parts Plus® order, he contacts Exmark by 3:00 p.m., central time, with an Exmark Parts Plus® order of six (6) line items or less.
4. If order is received by 3:00 p.m. central time, Exmark ships part(s) direct to dealer or customer, as requested by distributor, same day, overnight UPS Exmark bills the distributor for parts and shipping charges, where applicable.
5. The customer pays for the part and freight if it is shipped under the Exmark Parts Plus® and if it arrive in accordance to the program.
6. Who pays for the part and freight if it fails to arrive overnight in accordance to the program?
 - A. Under any circumstance the customer does not pay.
 - B. If the part does not arrive overnight due to:
 1. The dealer not submitting the Exmark Parts Plus® order to his Exmark distributor by 1:00 p.m., the dealer pays for the part and freight.
 2. The Distributor being unable to ship the part the same day or not submitting the Exmark Parts Plus® order to Exmark by 3:00 p.m., central time, the Distributor pays for the part and freight.
 3. Exmark being unable to ship the part and the Exmark parts order is received by 3:00 p.m., central time, Exmark pays for the part and freight.
 4. If the part does not arrive overnight due to the shipper (UPS), the shipper pays for the freight and Exmark pays for the part.



The following restrictions apply -- The Exmark Parts Plus® Program is available only through participating Exmark Dealers and applies only to orders submitted on this program Monday through Thursday. UPS has initiated a Saturday delivery program to many areas of the continental United States and can be requested for an overnight shipment on Friday to be delivered Saturday. The next day air charge, plus the Saturday delivery fee will be the responsibility of the purchaser. Exmark Mfg. will assume no responsibility for Saturday delivery shipments. To qualify, all Exmark Parts Plus® orders must be received by Exmark by 3:00 p.m., central time. Orders must be six (6) line items or less. Exclusions from the Exmark Parts Plus® Program are: Any wholegood or accessory in its entirety, engines and engine replacement parts, 5-speed Peerless transmissions and 5-speed transaxles, hydraulic or hydrostatic wheel motors, cutter decks and engine decks or any item exceeding United Parcel Service size and weight restrictions.

Due to UPS restrictions, aerosol spray paint is considered a hazardous material and cannot be shipped via UPS next day or Second Day Air.

Exmark Manufacturing stocks a limited supply of parts for transaxles, pumps and wheel motors. These parts can be ordered for Next Day Air shipment but will not be guaranteed per the Parts Plus Program.



**READ OPERATOR'S MANUAL BEFORE
OPERATING OR SERVICING EXMARK EQUIPMENT.**

TABLE OF CONTENTS

<u>Description</u>	<u>Page</u>
Decals.....	12
Engine Deck Group.....	6-8
48" Mower Deck	4-5
Hydraulics Group	11
36" Mower Deck	2-3
Upper Handles & Controls	9-10
Wiring Diagrams	13

36" MOWER DECK

Ref. No.	Part No.	Description	Qty. Req'd.	Ref. No.	Part No.	Description	Qty. Req'd.
1*	304253	Front Deck w/decals & dogleg.....	1	34	323417	Washer, belt cover mount	4
	302232	Deck weldmt (36")	1	35	322145	Fork widmnt, caster	2
2	302189	Baffle widmnt, dogleg	1	36	322154	Caster wheel assembly.....	2
3	800270	5/16-18 x 5/8 HHCS	8	37	302233	Chute	1
4	809001	5/16-18 Whizlock nut.....	21	38	302129	Engagement arm w/bushing.....	1
5	302128	Arm weldmt	1	39	303144	Powder metal bearing.....	1
6	811001	Grease Zerk	2	40	800290	3/8-16 x 3/4 HH capscrew	8
7	811006	Zerk, 1/4-28 STRT.....	1	41	603843	Idler pulley (heavy duty).....	1
8	323385	Knob, belt cover ..	4	42▼	324265	Cutter housing complete	2
9	809020	Quick pin, 10" caster	2	43	800273	5/16-18 x 1 HH Capscrew	2
10	804256	5/16-18 Nyloc hex nut.....	2	44	633573	Guard, Bottom	2
11	800292	3/8-16 x 1 HH capscrew	6	45	808502	Retaining ring.....	2
12	809007	3/8-16 whizlock nut.....	14	46	513016	Bearing	4
13	805259	3/8 Flatwasher	1	47	323532	Cutter housing	2
14	303327	3/8 Disc spring washer	6	48	303314	Spacer, 10" Caster	8
15	808280	5/16 x 1 Clevis pin	1	49	323529	Tube, Spindle.....	2
16	303105	Yoke	1	50	323528	Spacer	2
17	806003	Hairpin cotter	1	51	303514	Flange, Thrust Bearing	4
18	808505	E-Ring for .875 rd.	1	52	323339	Washer, retaining	2
19	803003	3/8-16 x 1 3/4 Whizlock bolt ...	1	53	303558	Pulley, cast iron	2
20	633482	Blade, notched air foil.....	2	54	804510	5/8-18 UNF hex nut	2
	613251	Blade, solid air foil	2	55	800861	5/8-18 x 8 HH Capscrw (Gr 5).....	2
	633484	Blade, Mulching (36")	2	56	807267	Key, 1/4 x 3/16 x 1 1/4	2
	633485	Blade, Low Lift (36")	2	57	323539	Spacer, blade drive.....	8
21	513338	Washer, special.....	2	58	513208	5/8 Spring disc washer	2
22	805008	1/2 spring lockwasher.....	2	59	303434	Engagement bushing.....	1
23	804509	1/2-13 Hex nut.....	2	60	303348	Eye bolt (left hand thread)	1
24	800334	1/2-13 x 6 HH capscrew	2	61	303236	Turnbuckle body	1
25	303352	Washer, spindle.....	1	62	303238	Eye bolt (right hand thread)	1
26	513648	Wheel & tire, complete	2	63	322211	Assist arm ..	1
	513807	Wheel & hub.....	1	64♦	809084	3/8 x 1 Shoulder bolt.....	1
	513808	Tire, 9 x 3.50-4 4-ply.....	1	65	323174	Assist arm linkage	1
	513809	Roller bearing	1	66	322153	Caster/mount, complete	2
	513810	Bushing.....	2	67	302203	Caster wheel support w/bearings	2
27	323200	Drive belt 36" Model	1	68	302194	Caster wheel support wldmnt	2
28♦	803310	Setscrew, 5/16-18 x 3/8.....	2	69	303334	5/16 Spring Disc Washer.....	8
29	800274	5/16-18 x 1 1/4 HH capscrew .	8	70	323533	Spacer	2
30	513547	Spacer, front caster	2	71	634619	Housing w/Brg, Spacer and Ring.....	2
31	303537	Stud, belt shield (short).....	2	72	806753	Cotter pin, 3/32 x 1/2	1
32	303536	Stud, belt shield (long).....	2	73	323626	Washer, thrust.....	1
33	302218	Shield w/decals, 36" Vik hydro	1	74	804521	5/16-24 hex nut.....	1
	302213	Shield weldmt, 36" Vik hydro.....	1				

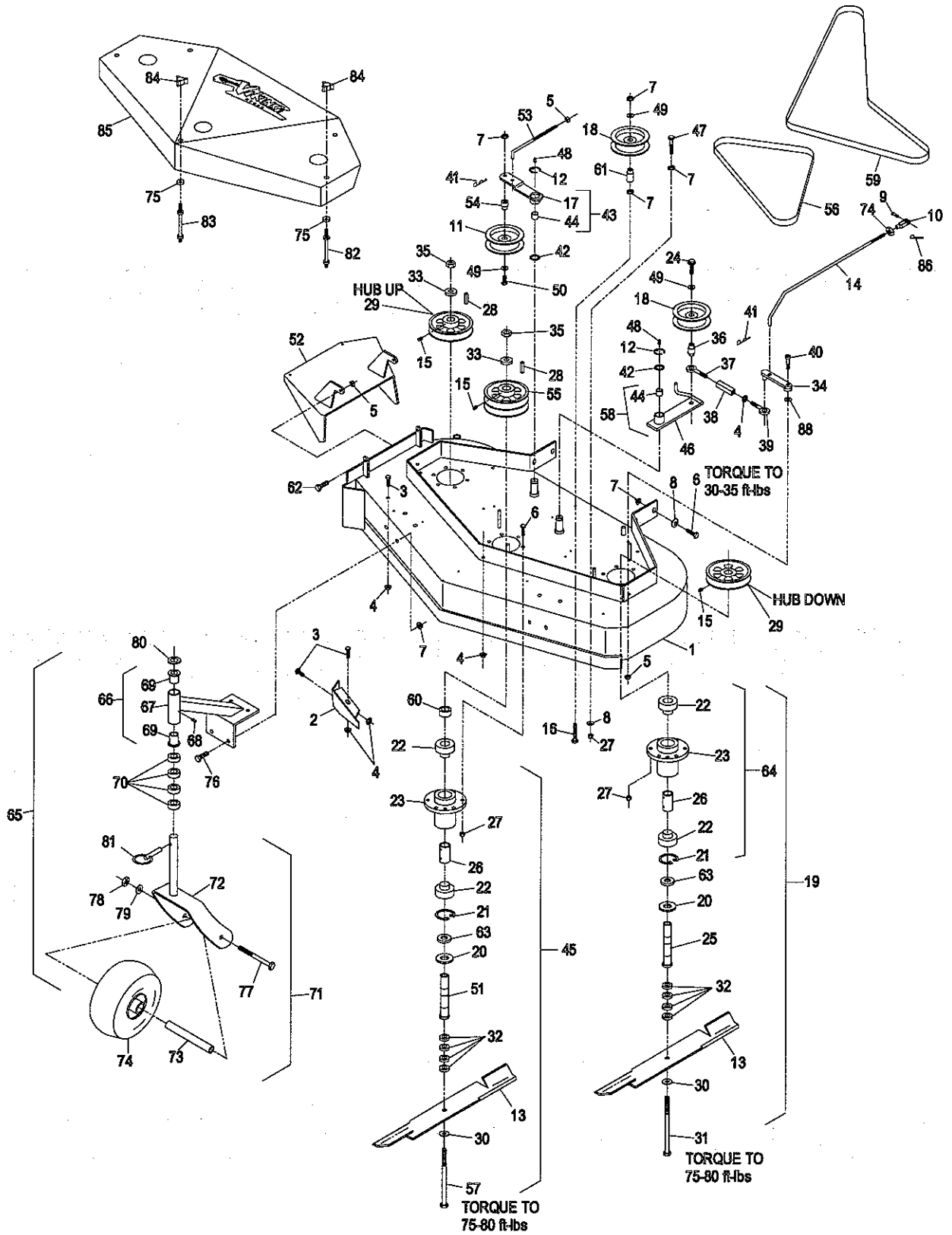
- ♦ Use Pro-lock Nut Type (p/n 840022 .5 ml tube) on shoulder bolt and setscrews
- Requires installation of Micro-Mulch accessory for proper mulching. Mulch kit P/N MK362(36")
Exmark red touch up spray paint - P/N 850337
- ▼ Cutter housing complete includes sheave, washer and nut and does not include blade.
- * Deck weldment does include welded in flow control baffles.

48" MOWER DECK

Ref. No.	Part No.	Description	Qty. Req'd.	Ref. No.	Part No.	Description	Qty. Req'd.
1*	404239	Front deck w/decals & dogleg (48")....	1	46	302128	Arm weldmt	1
*	402099	Deck Weldmt, (48")	1	47	800299	3/8-16 x 2 3/4 HH Capscrew	1
2	402107	Baffle, dogleg.....	1	48	811006	Zerk 1/4-28 STRT	2
3	800270	5/16-18 x 5/8 HH capscrew	7	49	805259	3/8 Flatwasher.....	3
4	809001	5/16-18 Whizlock nut.....	13	50	800295	3/8-16 X 1 3/4 HH capscrew	1
5	804256	5/16-18 Nylock hex nut.....	3	51	323530	Cutter spindle , center	1
6	800292	3/8-16 x 1 HH capscrew	24	52	402106	Chute.....	1
7	809007	3/8-16 whizlock nut.....	18	53	403107	Belt tension rod	1
8	303327	3/8 disc spring washer.....	7	54	603496	Bushing, idler bearing	1
9	808280	5/16 x 1 Clevis pin	1	55	403167	Double pulley.....	1
10	303105	Yoke	1	56	403025	V-Belt, front deck	1
11	403119	Idler pulley "V"	1	57	800862	5/8-18 x 8 1/2 HH capscrew, Gr5.....	1
12	808505	E-Ring for .875 rd.	2	58	302129	Engagement arm w/bushing	1
13	323515	Blade, notched air foil (48")	3	59	303499	Drive belt 48".....	1
	413438	Blade, solid air foil (48").....	3	60	323538	Spacer, bearing (center sheave).....	1
•	403148	Blade, mulching (48")	3	61	543879	Bushing	1
	403149	Blade, Low Lift (48")	3	62	800273	5/16-18 x 1 HH Capscrew.....	2
14	323174	Assist arm linkage	1	63	323533	Spacer	3
15♦	803310	Setscrew, 5/16-18 x 3/8.....	3	64	634619	housing w/Brg, Spacer and Ring.....	3
16	800029	3/8-16 x 2 1/4 HH Tapbolt	1	65	322153	Caster mount complete.....	3
17	402052	Arm weldmt, RH	1	66	302203	Support, w/bearings	2
18	603843	Idler pulley	1	67	302194	Support, caster wheel wldmnt.....	2
19▼	324265	Cutter Housing (outer).....	2	68	811001	Zerk, 1/8 N.P.T.....	2
20	633573	Guard, Bottom	3	69	303514	Flange, thrust bearing	2
21	808502	Retaining ring	3	70	303314	Spacer, 10" caster.....	8
22	513016	Cutter housing bearing	6	71	322154	Wheel assembly (caster)	2
23	323532	Cutter housing	3	72	322145	Fork wldmnt, caster.....	2
24	803003	3/8 -16 x 1 3/4 . Whizlock Bolt.....	1	73	513547	Spacer, front caster.....	2
25	323529	Cutter spindle Tube	2	74	513648	Wheel & tire, complete.....	2
26	323528	Spacer	3		513807	Wheel & hub	2
27	804257	Nut, Nyloc 3/8-16.....	18		513808	Tire, 9 x 3.50-4 4-ply	2
28	807267	Key, 1/4 x 3/16 x 1 1/4.....	3		513809	Roller bearing	2
29	303558	Pulley, cast iron	2		513810	Bushing	2
30	513208	5/8 Spring disc washer	3	75	323417	Washer, Belt Cover Mount.....	5
31	800861	5/8 -18 x 8 HH Capscrew	2	76	800290	Screw, 3/8-16 x 3/4	8
32	323539	Spacer, Blade Drive	12	77	800334	Screw, 1/2-13 x 6	2
33	323339	Washer, retainer (sheave).....	3	78	804509	Nut, 1/2-13 hex.....	2
34	302198	Assist Arm	1	79	805008	Washer, 1/2 spring lock	2
35	804510	5/8-18 UNF hex nut	3	80	513338	Washer, special	2
36	303434	Engagement bushing	1	81	809020	Quick pin, 10" caster	2
37	303348	Eye bolt (left hand thread)	2	82	303537	Stud, belt shield(short)	2
38	303236	Turnbuckle body	1	83	303536	Stud, belt shield(long).....	3
39	303238	Eye bolt (right hand thread)	1	84	323385	Knob, belt cover	5
40♦	809084	3/8 x 1 Shoulder bolt.....	1	85	404237	Shield w/decals 48" Vik Hydro	1
41	806003	Hairpin cotter	2		402100	Shield weldmt 48" Vik Hydro	1
42	303352	Washer, spindle.....	2	86	806753	Cotter pin, 3/32 x 1/2.....	1
43	402053	Idler arm, complete(w/bushing)	1	87	804521	Nut, 5/16-24	1
44	303144	Powder metal bearing.....	2	88	323626	Washer, thrust.....	1
45▼	324264	Cutter hsg complete(center)	1				

- ♦ Use Pro-lock Nut Type (p/n 840022 .5 ml tube) on the shoulder bolt and setscrews
- Requires installation of Micro-Mulch accessory for proper mulching. Mulch kit P/N MK48M3
Exmark red touch up spray paint - P/N 850337
- * Deck weldment does include welded in flow control baffles.
- ▼ Cutter housing complete includes sheave, washer and nut and does not include blades.

48" MOWER DECK



Ref. No.	Part No.	Description	Qty. Req'd.	Ref. No.	Part No.	Description	Qty. Req'd.
1	807019	Key, woodruff 1 x 1/4.....	2	33▽	803050	Setscrew, 5/16-18 x 3/4	4
2	803040	Nut, slotted 3/4-16.....	2	34	603778	Sheave - pump	2
3	806800	Pin, cotter 9/64 x 1-1/2.....	2	35	807272	Key, 5mm sq. x 25mm	2
4	513011	Nut, wheel 1/2-20	8	36	809072	Screw, 1.25 x 25mm	
5	413473	Tire & Wheel Assembly.....	2			(36" Kaw)(48" Koh)	1
	413474	Tire 16 x 6.50-8	1			(36"Kohler).....	2
	603715	Wheel.....	1		809018	Screw, 1.25 x 30mm	
6Σ	602997	Hub, tapered (4 bolt)w/studs...	2			(36"Kaw & 48"Kaw).....	1
7	803045	Screw, whizloc 3/8-16 x 3/4.....	8	37	603044	Bushing - Idler pivot	1
8	800292	Screw, 3/8-16 x 1	8	38	809007	3/8-16 Whizlock Nut.....	5
9	303327	Washer, 3/8 spring disc	8	39◇	403092	Pulley, pump drive	1
10	322162	Mount, motor (36")	2	40	322225	Deck, engine widmt	1
	402062	Mount, motor (48")	2	41	809062	Bolt, .500 x 1.75 (shoulder).....	1
11	323228	Spacer, belt guide(48").....	3	42	811008	Zerk.....	1
	323228	Spacer, belt guide(36").....	2	43	322108	Bellcrank assy. w/zerk	1
12	322110	Belt guide (36").....	3		322086	Bellcrank weldmt.....	1
	322110	Belt guide (48").....	4	44	806003	Hairpin.....	2
13	303334	Washer, 5/16 spring disc	4	45	323172	Linkage, blade engagement ...	1
14	809065	Screw, 1.25 x 75mm		46	804256	Nut, nylock 5/16-18.....	1
		(36" Kaw & Kohler).....	2	47	323245	Spring, compression	1
	809065	Screw, 1.25 x 75mm		48	322090	Bellcrank	1
		(48" Kaw & Kohler).....	3	49	800277	Screw, 5/16-18 x 2.....	1
15Σ	403087	Sheave, blade drive (48").....	1	50	513051	Switch, blade engagement.....	1
	303498	Sheave, blade drive (36").....	1	51	804252	Nut nylock 10-24.....	3
16▽	803046	Setscrew, 5/16-18 x 1	1	52	323213	Bracket, switch.....	1
17	807264	Key, 1/4 sq. x 2-5/8	1	53	803028	Screw, 10-24 x 5/8.....	2
18▽	803050	Setscrew, 5/16-18 x 3/4	1	54	800251	Screw, 1/4-20 x 5/8.....	2
19▽	803310	Setscrew, 5/16-18 x 3/8	2	55	613150	Stud, hub 1/2-20	8
20	603843	Idler, pulley.....	1	56	805259	Washer, 5/16(SAE).....	1
21	603496	Bushing, idler.....	1	57	809012	Nut, whizlock 1/4-20.....	2
22	807517	Screw, 3/8-16 x 1-3/4	1	58◆	303431	Elbow St. 3/8 NPT brass (Koh)	1
23	805006	Lockwasher, 3/8.....	1	59◆	543233	Cap, 3/8 NPT (Koh)	1
24	800298	Screw, 3/8-16 x 2-1/2.....	1	60	800290	Screw, 3/8-16 x 3/4	2
25	373034	Washer, swivel.....	1	61	633068	Arm	1
26	513034	Bearing, pivot	2	62◆	323326	Nipple, 3 3/8 NPT (Kohler).....	1
27	602521	Arm, assy idler (w/bearings)....	1	63	811006	Zerk, 1/4-28 STRT	1
	602458	Arm, assy idler (w/o bearings).	1	64	800297	Screw, 3/8-16 x 4	1
28	603402	Spring, extension	1	65	323366	Split ring	1
29	800273	Screw, 5/16-18 x 1	1	66	804257	Nut, 3/8-16 nylock.....	1
30	603801	Anchor, spring	1	67	800303	Screw, 3/8-16 x 4 1/2.....	1
31	809001	Nut, whizlock 5/16-18	2	68	323365	Chain, twist link	1
32	323225	Belt, pump drive	1	69	805252	Washer, #10	1
				70	809069	Screw, 10-24 x 7/8HxSktHd....	1

Σ Use anti-seize compound on pulley bore and on tapered bore of hub.

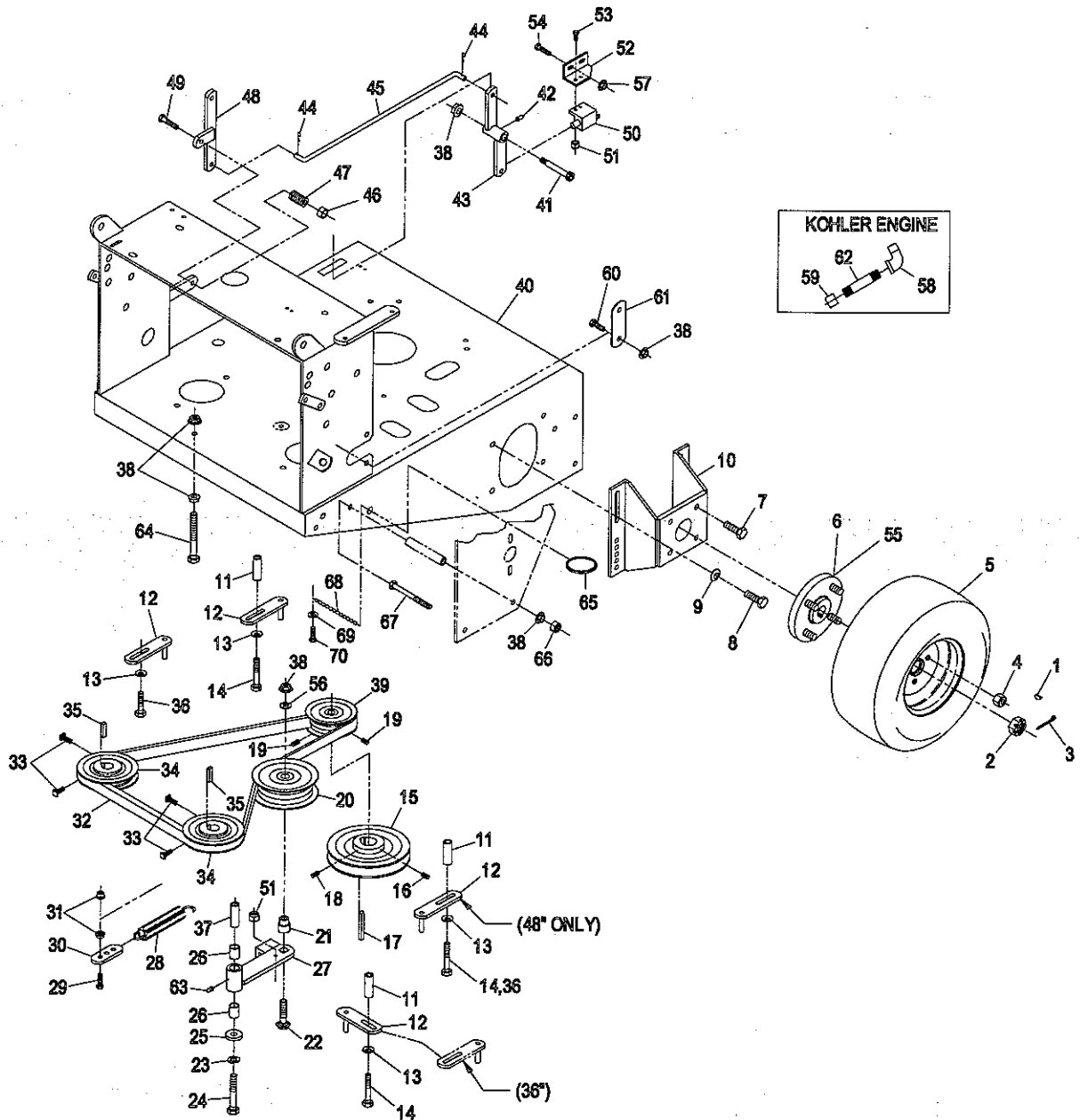
▽ Use Pro-Lock (nut type, Part no. 840022, 5 ml tube) on setscrew threads.

◆ Use a Teflon pipe sealant of equivalent on threads.

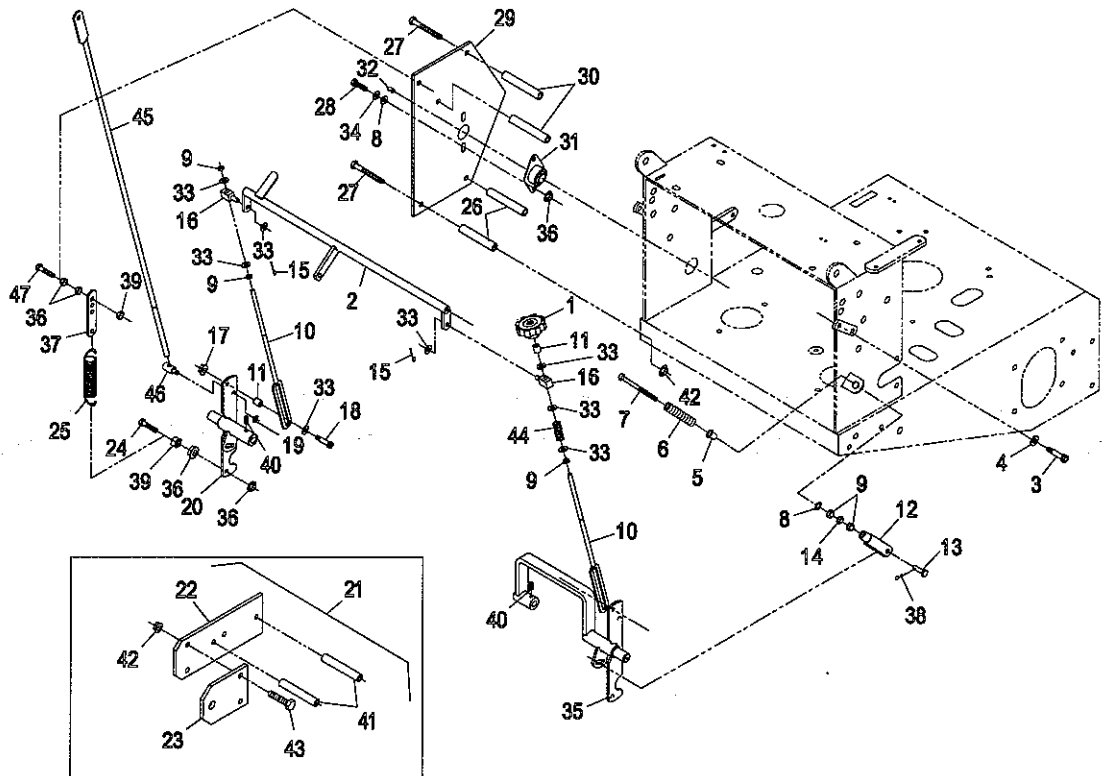
Exmark red touch up spray paint - P/N 850337

◇ Use Pro-Lock (retaining type, Part no. 840023, .5cc tube) on pulley.

ENGINE DECK GROUP



DECALS



Ref. No.	Part No.	Description	Qty. Req'd.	Ref. No.	Part No.	Description	Qty. Req'd.
1	413151	Knob, tracking	1	24	800274	Screw, 5/16-18 x 1-1/4	2
2	412203	Crank weldmt	1	25	603693	Spring, extension	2
3*	809056	Bolt, .375 x .375 (shoulder)	2	26	323197	Spacer, short	4
4	805259	Washer, 3/8 (sae)	2	27	800302	Screw, 3/8-16 x 4	7
5	603735	Bushing, nylon flanged	2	28	800271	5/16-18 x 3/4	4
6	603807	Spring, neutral return	2	29	413201	Shield, hydro control	2
7	603737	Bolt, neutral return	2	30	323195	Spacer, long	4
8	805256	Washer, 1/4 (std)	6	31	633102	Bearing, flange	2
9	804521	Nut, 5/16-24	7	32	811006	Zerk, 1/4-28	2
10	413350	Rod, control arm	2	33	805257	Washer, 5/16 (SAE)	9
11	603903	Spacer	3	34	805005	Lockwasher, 5/16 (heavy)	4
12	303105	Yoke, adjustable	2	35	412270	Arm weldmt, RH	1
13	808280	Pin, clevis 5/16-1	2	36	809001	Nut, whizlock 5/16	12
14	804758	Nut, jam 5/16-24	2	37	613089	Anchor, spring	2
15	806753	Pin, cotter 3/32 x 1/2	2	38	806003	Hairpin	2
16	603676	Swivel	2	39	804256	Nut, nylock 5/16-18	4
17	809012	Nut, 1/4-20 whizlock	2	40*	803022	Setscrew, 5/16-18 x 5/8	2
18*	809057	Bolt, .312 x .750 (shoulder)	2	41	323240	Spacer, shield	4
19	808520	Klipring	2	42	809007	Nut, whizlock 3/8-16	13
20	412272	Arm weldmt, left hand	1	43	800292	Screw, 3/8-16 x 1	4
21	301022	Sulky hitch kit, (Vik Hydro)	1	44	323245	Spring	1
22	373036	Mount, hitch	1	45	413219	Linkage, drive	2
23	323238	Bracket, hitch adapter	2	46	413227	Swivel, drive lever	2
				47	800016	Tapbolt, 5/16-18 x 1 1/4	2

* Use Pro-Lock nut type, Part No. 840022 (.5 mil tube) on shoulder bolts & setscrew threads.

Exmark red touch up spray paint - PN 850337

UPPER HANDLE and CONTROLS

Ref. No.	Part No.	Description	Qty. Req'd.	Ref. No.	Part No.	Description	Qty. Req'd.
1	322226	Handle weldment	1	38	603776	Fuel line, 2.5" (Kaw & Kohler) .	1
2	303097	Grip, handle.....	2	39	303197	Filter, gas	1
3	612168	Latch, thumb w/grip (RH)	1	40	603954	Gas line, 13.75" (Kohler).....	1
f	612167	Latch, thumb w/grip (LH).....	1		303471	Gas line, 12.0" (Kaw)	1
4	303019	Grip, latch.....	2	41	413179	Tank, gas	1
5	303435	Washer, 1/4 spring disc	6	42	513508	Cap, gas.....	1
6	800257	Screw, 1/4-20 x 1-3/4	2	43	543296	Grommet.....	1
f	412159	Lever, drive (LH)	1	44	323430	Module, Interlock	1
7	412161	Lever, drive (RH).....	1	45	800251	Screw, 1/4-20 x 5/8	3
8	603749	Bushing, drive lever.....	2	46	303287	Tie, plastic 5 1/2" (Kaw)	5
9	806003	Hairpin.....	5	47	303335	Tie, plastic 7 5/16"	2
10	809012	Nut, whizlock 1/4-20.....	5	48	323518	Harness wiring (Kawasaki)	1
11	807513	Screw, #10-24 x 1/2 carriage	2		323519	Harness wiring (Kohler)	1
12	800256	Screw, 1/4-20 x 1-1/2	2	49♦	803322	Setscrew, 5/16-24 x 5/16	2
13	633349	Spring, fuel tank	2	50∇	412185	Lever, OPC (RH)	1
14∇	633023	Stud, fuel tank	2	51	303365	Bushing, nylon	2
15	613055	Pin, clevis	2	52	322192	Rod weldmt, connecting	1
16	413152	Bearing.....	4	53	800271	Screw, 5/16-18 x 3/4.....	2
17	513051	Switch.....	2	54∇	412183	Lever, OPC (LH)	1
18	633181	Plate, tapped	1	55	603727	Clip, .56 Loom.....	1
19	303363	Spring, actuator	1	56	804252	Nut, nylock #10-24	2
20	323134	Knob, (push/pull)	1	57♦	603175	Knob, 1-3/8	1
21	804751	Nut, jam 5/16-18.....	1	58	804256	Nut, nylock 5/16-18	4
22	323143	Bushing, nylon .38 I.D.	1	59	323245	Spring, compression.....	2
23	323142	Push Nut (.50 shaft)	1	60	602733	Lever, shift	1
24	804255	Nut, nylock 1/4-20	3	61	805257	Washer, 5/16 SAE	5
25	323181	Linkage, blade push/pull	1	62	323244	Washer, friction.....	2
26	800292	Screw, 3/8-16 x 1	4	63	603730	Plate, shift lever	1
27	303327	Washer, 3/8 spring disc	4	64	603716	Washer, friction.....	1
28	323229	Clip, loom 3/8" (Kaw).....	1	65	800277	Screw, 5/16-18 x 2	2
29	805256	Washer 1/4" std flat.....	3	66	323522	Rod, speed control.....	1
30	303308	Clamp, gas line (Kawasaki).....	1	67	804758	Nut, jam 5/16-24	1
31	809007	Nut, whizlock 3/8-16	4	68	808280	Pin, clevis.....	1
32	804002	Nut, Sq Reg 10-24	2	69	303105	Yoke, adjustable	1
33	513645	Bushing, fuel valve	1	70	513592	Knob, red ball.....	1
34	543277	Elbow, fuel tank.....	1	71	323129	Cable, throttle (Kaw & Kohler)	1
35	303077	Clamp, gas line (Kohler).....	6	72	800252	Screw, 1/4-20 x 3/4.....	1
	303077	Clamp, gas line (Kawasaki).....	5	73	805005	Washer, 5/16 lock.....	2
36	603955	Fuel line, 6" (Kaw & Kohler)	1	74	803028	Screw, #10-24 x 5/8.....	4
37	603770	Valve, gas.....	1				

f Not illustrated.

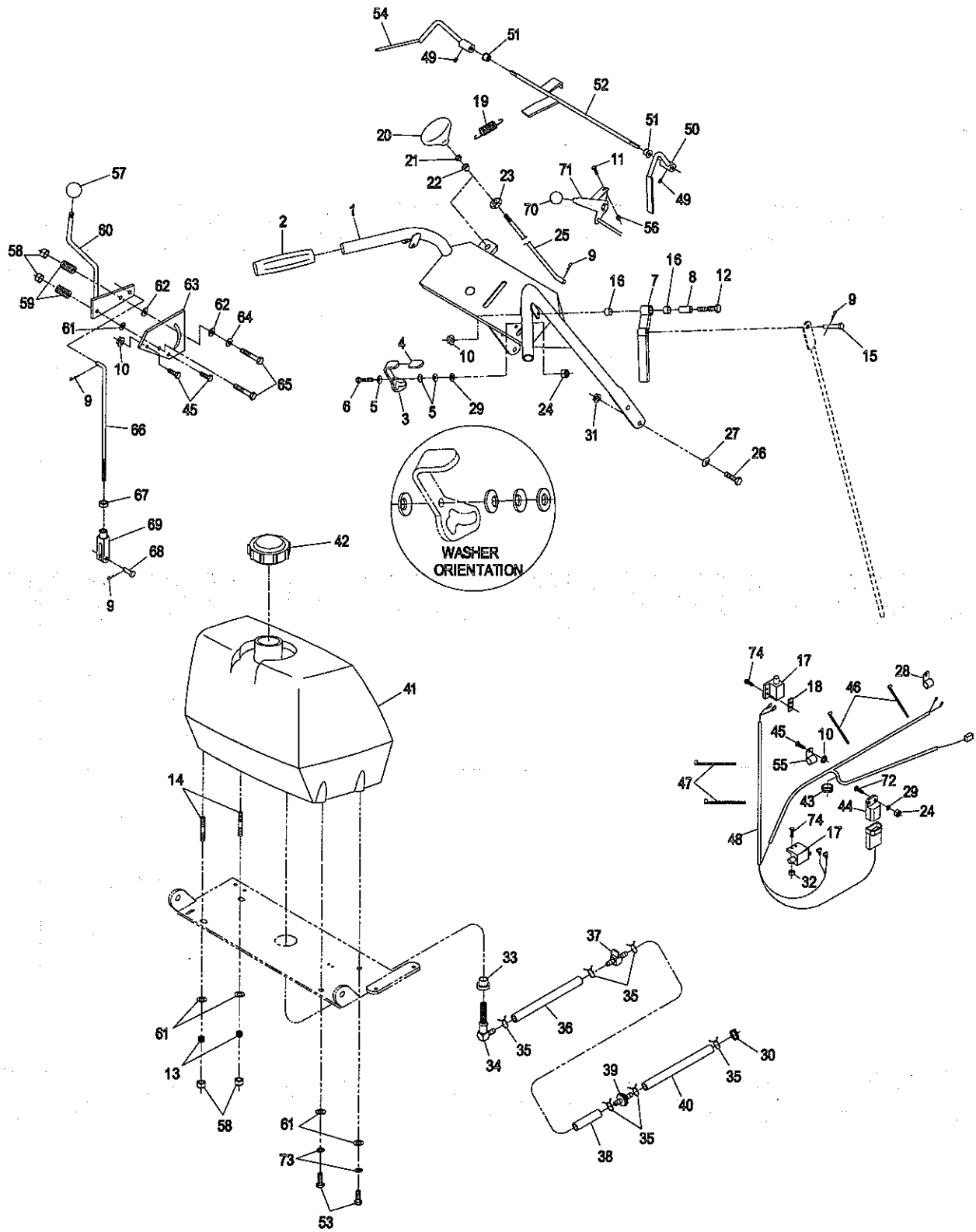
♦ Use Pro-Lock ,nut type (Part no. 840022 on setscrew threads and on shifter knob threads.

∇ Use Pro-lock, retaining type (Part no. 840023 .5cc tube) on inside bore of OPC hub and on fuel tank studs.

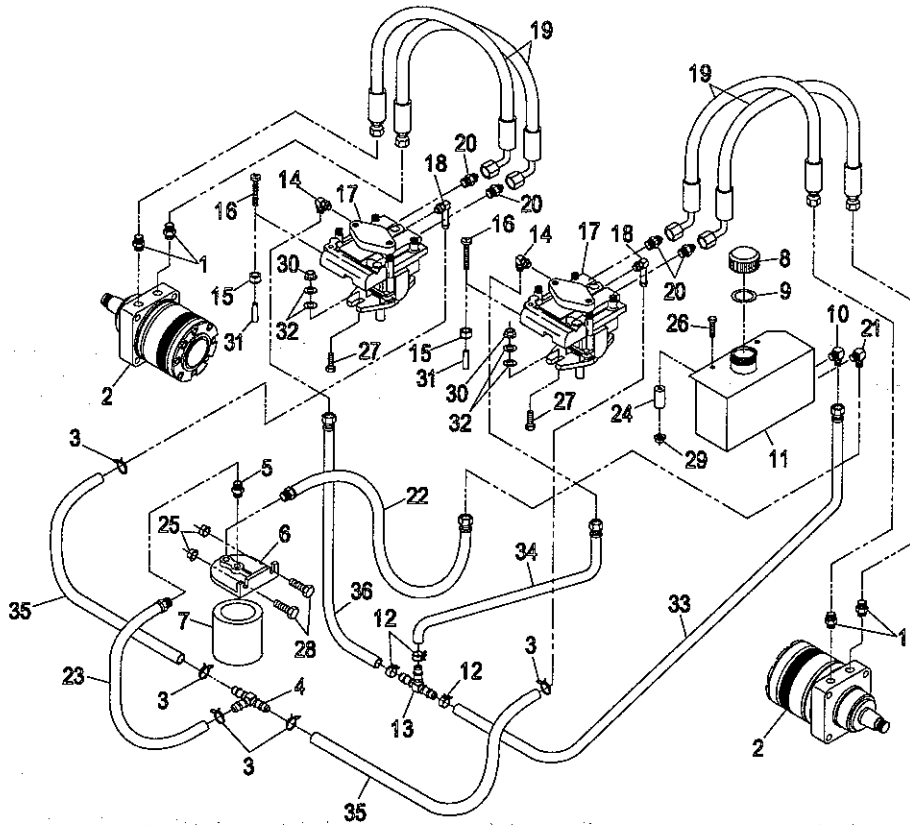
Apply dielectric grease on all electrical connectors.

Exmark black touch up spray paint - Gloss black

UPPER HANDLE and CONTROLS



HYDRAULICS GROUP



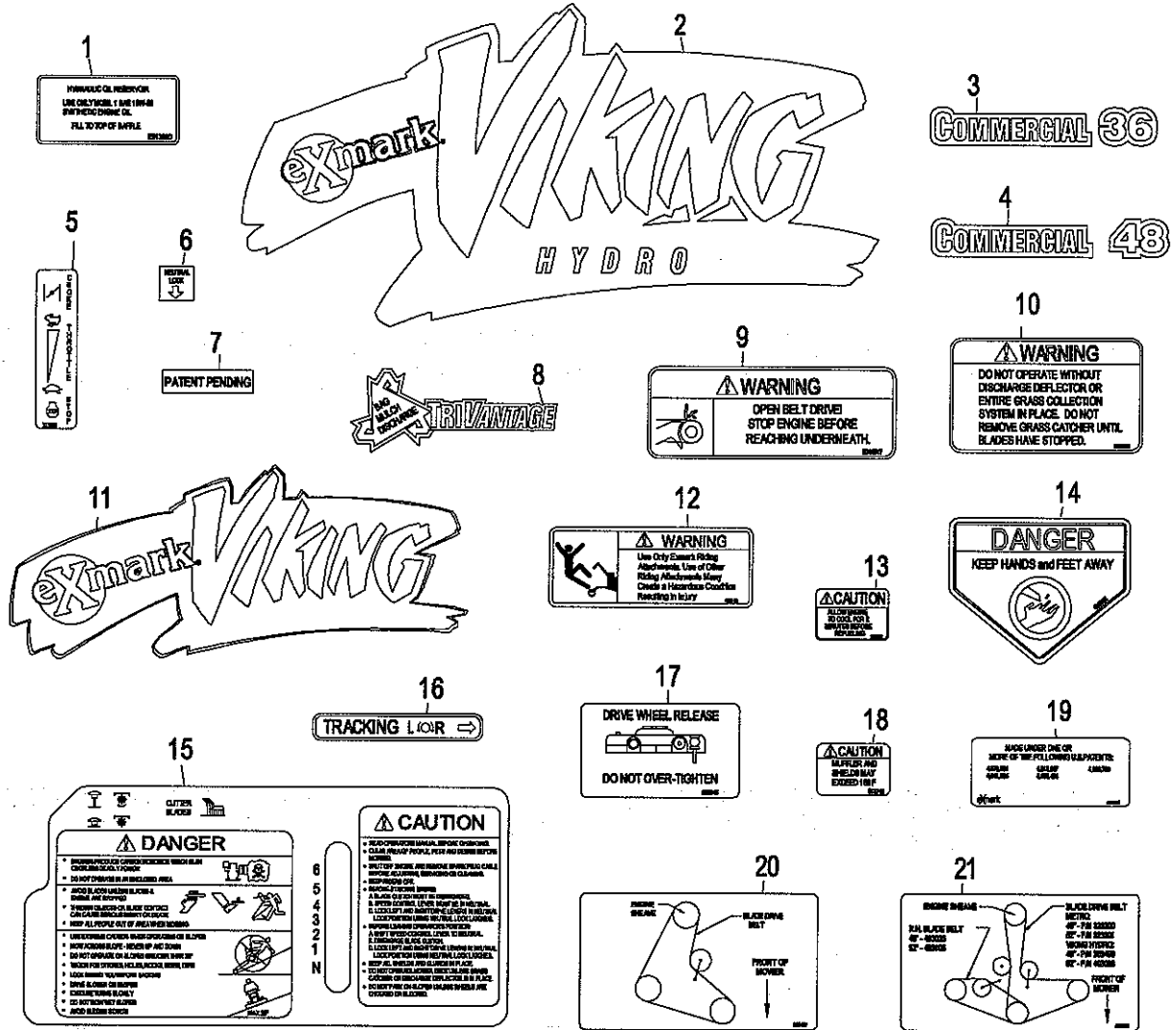
Ref. No.	Part No.	Description	Qty. Req'd.	Ref. No.	Part No.	Description	Qty. Req'd.
1	603991	Fitting, straight connector.....	4	17	613042	Pump, hydro.....	2
	603919	Boss O-Ring.....	1	18	603989	Elbow, 90°.....	2
	603992	Flare O-Ring.....	1		603923	O-Ring.....	1
2	603718	Wheel motor.....	2	19	403102	Hose, high pressure.....	4
	000138	Kit, Bearing.....	1	20	603990	Adapter, straight thread.....	4
	000119	Kit, seal.....	1		603920	Boss O-Ring.....	1
3	603827	Clamp, hose (5/8).....	5		603992	Flare O-Ring.....	1
4	603721	Fitting, Hose Tee (3/8 I.D hose)	1	21	603988	Elbow, 90°.....	1
5	513510	Connector, male.....	1	22	602985	Hose, supply.....	1
6*	603720	Head, filter.....	1	23	602754	Hose, charge line.....	1
7	513211	Element, oil filter.....	1	24	323218	Spacer, hydraulic tank.....	2
∇	523541	Element, oil filter(winter).....	1	25	809001	Nut, whizlock 5/16-18.....	2
8	513167	Cap, hydraulic reservoir.....	1	26	800258	Screw, 1/4-20 x 2.....	2
9	523103	Gasket, tank cap.....	1	27	800293	Screw, 3/8-16 x 1-1/4.....	4
10	603987	Elbow, 90°.....	1	28	800273	Screw, 5/16-18 x 1.....	2
11*	512166	Reservoir, hydraulic fluid.....	1	29	809012	Nut, whizlock 1/4-20.....	2
12	603826	Hose Clamp 1/2.....	3	30	809007	Nut, whizlock 3/8-16.....	4
13	603722	Fitting - Hose Tee(1/4 I.D hose)	1	31	613073	Grip, dump valve.....	2
14	513840	Elbow - 90°.....	2	32	805258	Washer, 5/16 std.....	8
	603921	O-Ring.....	1	33	602750	Hose, case drain.....	1
15	804255	Nut, nylock 1/4-20.....	2	34	632286	Hose assy, lo pressure.....	1
16	801063	Screw, 1/4-20 x 2 pan head....	2	35	413273	Hose, lo pressure.....	2
				36	632285	Hose assy, lo pressure.....	1

* Use Teflon Pipe Sealant or equivalent on hydraulic reservoir and filter head fittings.

∇ Use only for operation below 32°F(0°C)

Emark black touch up spray paint - gloss black

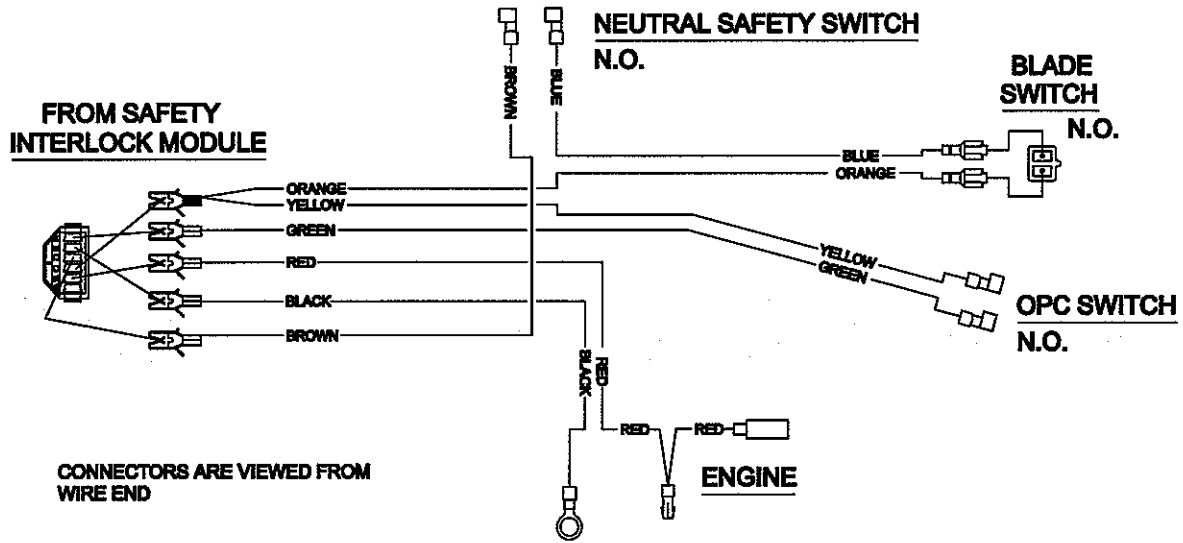
DECALS



Ref. No.	Part No.	Description	Qty. Req'd.	Ref. No.	Part No.	Description	Qty. Req'd.
1	513890	Decal, Hydraulic Tank	1	13	303293	Decal, Caution	1
2	323319	Decal, Large Vik Hydro	1	14	403005	Decal, Danger (36")	1
3	323411	Decal, Commercial "36"	1	403005	Decal, Danger (48")	2	
4	403131	Decal, Commercial "48"	1	15	323689	Decal, Console.....	1
5	323689	Decal, Throttle/Choke	1	16	413214	Decal, Tracking.....	1
6	303102	Decal, Neutral Lock Label.....	2	17	603845	Decal, Drive Wheel Release...	1
7	373066	Decal, Patent Pending.....	1	18	513746	Decal, Muffler.....	1
8	303520	Decal, TriVantage	1	19	403080	Decal, Patent No.....	1
9	303517	Decal, Belt Drive.....	1	20	323427	Decal, Belt routing (36" Deck).	1
10	303508	Decal, Discharge Warning	1	21	403162	Decal, Belt routing (48")	1
11	323321	Decal, Small Viking	1	302210	Decal Kit, Viking Hydro		
12	403143	Decal, Sulky Warning	1				

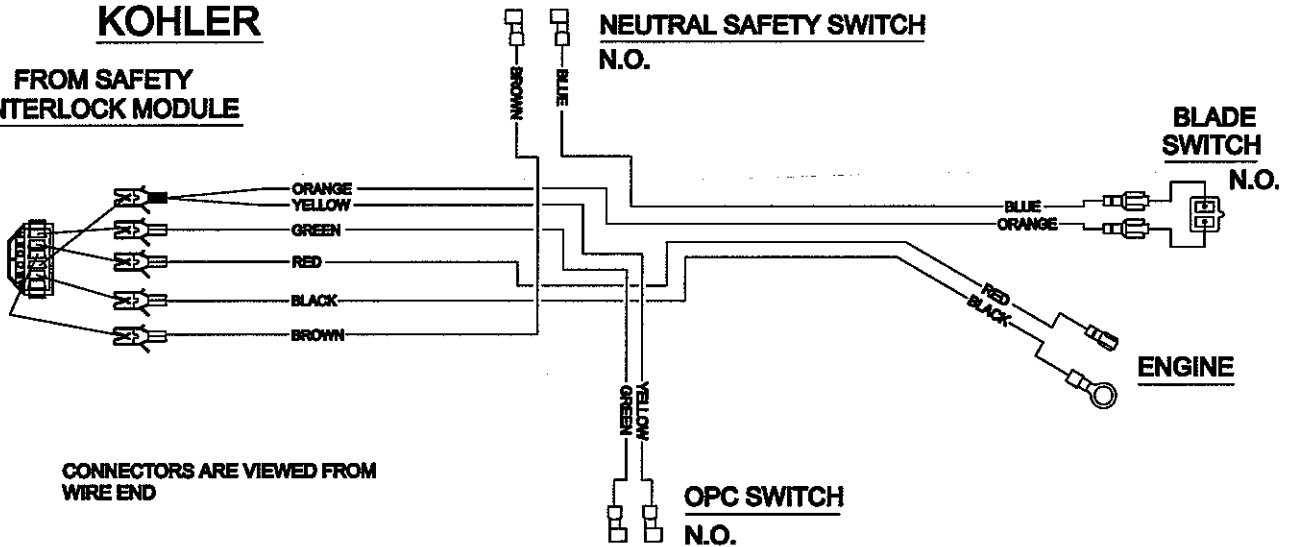
WIRING DIAGRAMS

KAWASAKI



KOHLER

FROM SAFETY INTERLOCK MODULE



**SEE EXMARK'S COMPLETE
LINE OF PRODUCTS FOR TURF CARE**

LAZER Z™

LAZER Z™ HP

EXPLORER®

TURF RANGER®

TURF TRACER®

TURF TRACER® HP

VIKING HYDRO

METRO™

METRO™ HP

SELF STEERING SULKY

GRASS CATCHER

MICRO-MULCH™ ACCESSORY

©1997,1998 EXMARK MFG. CO. INC.
INDUSTRIAL PARK BOX 808
BEATRICE, NE 68310

PART NO. 850623
(402) 223-6300
FAX (402) 223-5489

ALL RIGHTS RESERVED

PRINTED IN U.S.A.

