



## Work Light Kit

### Reelmaster® 3100-D and Groundsmaster® 3500-D/3505-D

Model No. 30841

## Parts Catalog

### Ordering Replacement Parts

To order replacement parts, please supply the part number, the quantity, and the description of each part desired.

### Understanding Reference Numbers

Each identified part in an illustration has a reference number. The reference number for a part also appears in the parts list, along with other information about the part.

This catalog uses two special reference number formats, one to indicate parts in a service assembly and another to indicate the quantity of a given part in an illustration.

### Service Assembly Reference Numbers

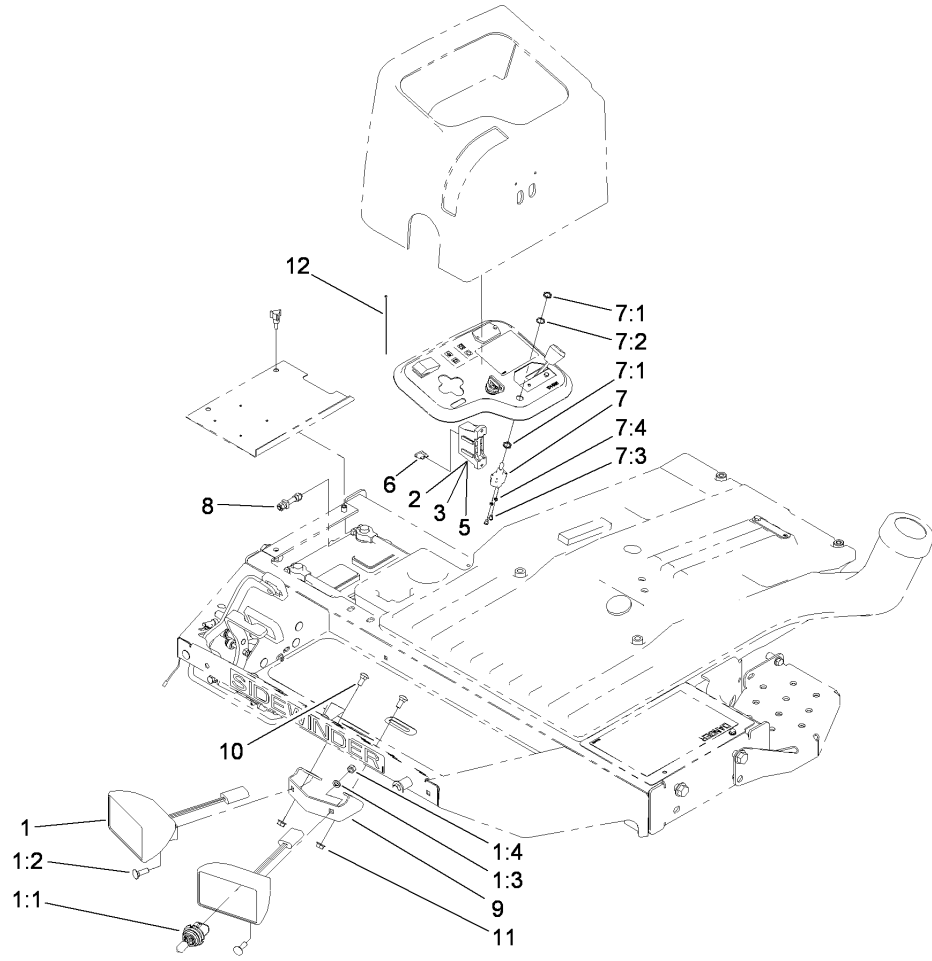
Parts in service assemblies have reference numbers in the form a:b. The a represents the reference number of the entire service assembly and the b represents a sequential number unique to each part within the service assembly.

For example, a wheel assembly might be identified by reference number 6, the tire by 6:1, the valve by 6:2, and the wheel by 6:3. When you order the assembly identified by reference number 6, you receive all parts identified by reference numbers 6:1, 6:2, and 6:3. However, you may also order any part individually. Reference numbers of this type appear in illustrations and in part lists.

### Reference Numbers Indicating Quantity

In an illustration, if a reference number indicates more than one part, the reference number has the form nX y. The n represents the quantity of the part, the X is the multiplication symbol, and the y represents the reference number.

For example, in an illustration, the reference number 2X 37 means that two of the parts identified by reference number 37 are indicated.



## Work Light Assembly

Ref	Part No.	Qty.	Description				
1	94-9024	2	Lamp ASM				
1:1	95-0909	1	Lamp-12 Volt				
1:2	3230-28	1	Screw-CARR				
1:3	3253-33	1	Washer-Lock				
1:4	3217-6	1	Nut-Hex				
2	114-3338	1	Harness-Wire (See Installation Instructions)				
3	114-3340	1	Harness-Wire (See Installation Instructions)				
5	114-3347	1	Harness-Wire (See Installation Instructions)				
6	218-578	1	Fuse-10 Amp				
7	75-1010	1	Switch-Reel				
7:1	218-498	2	Nut-Lock				
7:2	218-589	1	Washer				
7:3	218-588	2	Screw				
7:4	3253-19	2	Washer-Lock				
8	112-9921	1	Bolt ASM				
9	112-9917-01	1	Bracket-Light Mount				
10	3230-1	2	Bolt-CARR				
11	32128-20	2	Nut-HF				
12	3290-379	10	Tie-Cable				