



## Work Light Kit Groundsmaster® 4500-D/4700-D Traction Unit

Model No. 30870

### Parts Catalog

---

#### Ordering Replacement Parts

To order replacement parts, please supply the part number, the quantity, and the description of each part desired.

#### Understanding Reference Numbers

Each identified part in an illustration has a reference number. The reference number for a part also appears in the parts list, along with other information about the part.

This catalog uses two special reference number formats, one to indicate parts in a service assembly and another to indicate the quantity of a given part in an illustration.

#### Service Assembly Reference Numbers

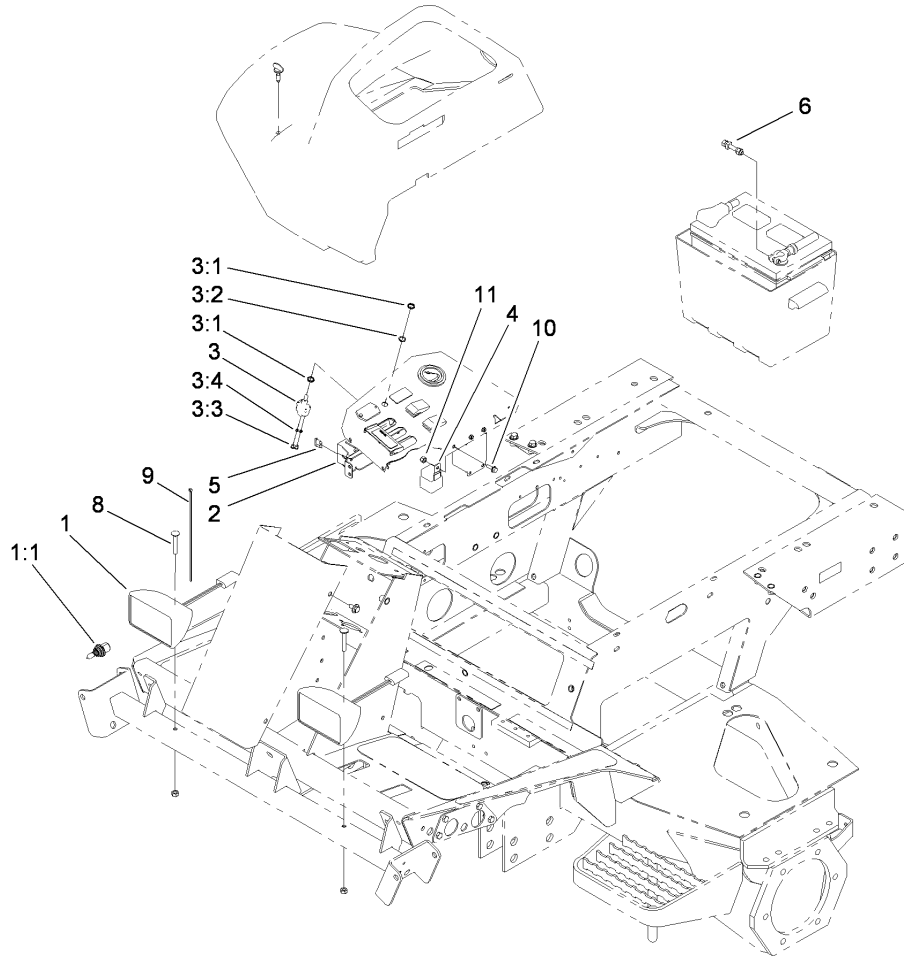
Parts in service assemblies have reference numbers in the form a:b. The a represents the reference number of the entire service assembly and the b represents a sequential number unique to each part within the service assembly.

For example, a wheel assembly might be identified by reference number 6, the tire by 6:1, the valve by 6:2, and the wheel by 6:3. When you order the assembly identified by reference number 6, you receive all parts identified by reference numbers 6:1, 6:2, and 6:3. However, you may also order any part individually. Reference numbers of this type appear in illustrations and in part lists.

#### Reference Numbers Indicating Quantity

In an illustration, if a reference number indicates more than one part, the reference number has the form nX y. The n represents the quantity of the part, the X is the multiplication symbol, and the y represents the reference number.

For example, in an illustration, the reference number 2X 37 means that two of the parts identified by reference number 37 are indicated.



## Work Light Assembly

| Ref | Part No. | Qty. | Description  |  |  |  |  |
|-----|----------|------|--------------|--|--|--|--|
| 1   | 94-9024  | 2    | Lamp ASM     |  |  |  |  |
| 1:1 | 95-0909  | 1    | Lamp-12 Volt |  |  |  |  |
| 2   | 114-3336 | 1    | Harness-Wire |  |  |  |  |
| 3   | 75-1010  | 1    | Switch-Reel  |  |  |  |  |
| 3:1 | 218-498  | 2    | Nut-Lock     |  |  |  |  |
| 3:2 | 218-589  | 1    | Washer       |  |  |  |  |
| 3:3 | 218-588  | 2    | Screw        |  |  |  |  |
| 3:4 | 3253-19  | 2    | Washer-Lock  |  |  |  |  |
| 4   | 99-7430  | 1    | Relay        |  |  |  |  |
| 5   | 218-578  | 1    | Fuse-10 Amp  |  |  |  |  |
| 6   | 112-9921 | 1    | Bolt ASM     |  |  |  |  |
| 8   | 3230-6   | 2    | Screw-CARR   |  |  |  |  |
| 9   | 3290-379 | 15   | Tie-Cable    |  |  |  |  |
| 10  | 3234-4   | 1    | Screw-HHF    |  |  |  |  |
| 11  | 3296-42  | 1    | Nut-Lock, NI |  |  |  |  |