



53cm Heavy-Duty Rear Bagger Lawn Mower

Model No. 22178TE - 270000001 and up.

Parts Catalog

Ordering Replacement Parts

To order replacement parts, please supply the part number, the quantity, and the description of each part desired.

Understanding Reference Numbers

Each identified part in an illustration has a reference number. The reference number for a part also appears in the parts list, along with other information about the part.

This catalog uses two special reference number formats, one to indicate parts in a service assembly and another to indicate the quantity of a given part in an illustration.

Service Assembly Reference Numbers

Parts in service assemblies have reference numbers in the form a:b. The a represents the reference number of the entire service assembly and the b represents a sequential number unique to each part within the service assembly.

For example, a wheel assembly might be identified by reference number 6, the tire by 6:1, the valve by 6:2, and the wheel by 6:3. When you order the assembly identified by reference number 6, you receive all parts identified by reference numbers 6:1, 6:2, and 6:3. However, you may also order any part individually. Reference numbers of this type appear in illustrations and in part lists.

Reference Numbers Indicating Quantity

In an illustration, if a reference number indicates more than one part, the reference number has the form nX y. The n represents the quantity of the part, the X is the multiplication symbol, and the y represents the reference number.

For example, in an illustration, the reference number 2X 37 means that two of the parts identified by reference number 37 are indicated.

Contents

Description	Page	Description	Page
Housing Assembly 3	Cylinder and Crankcase Assembly 12
Front Wheel and Tire Assembly No. 100-2870 4	Piston and Crankshaft Assembly 13
Gear Case Assembly No. 110-2100 5	Valve and Camshaft Assembly 14
Engine and Blade Brake Clutch Assembly 6	Lubrication Equipment Assembly 15
Fuel Tank Assembly 7	Cooling Equipment Assembly 16
Handle Assembly 8	Electrical Equipment Assembly 17
Rear Suspension Assembly 9	Control Equipment Assembly 18
Rear Wheel Assembly No. 100-2860 10	Carburetor Assembly 19
Grass Bag Assembly No. 110-2140 11	Air Filter and Muffler Assembly 20
		Starter Assembly 21

Part Description Abbreviations

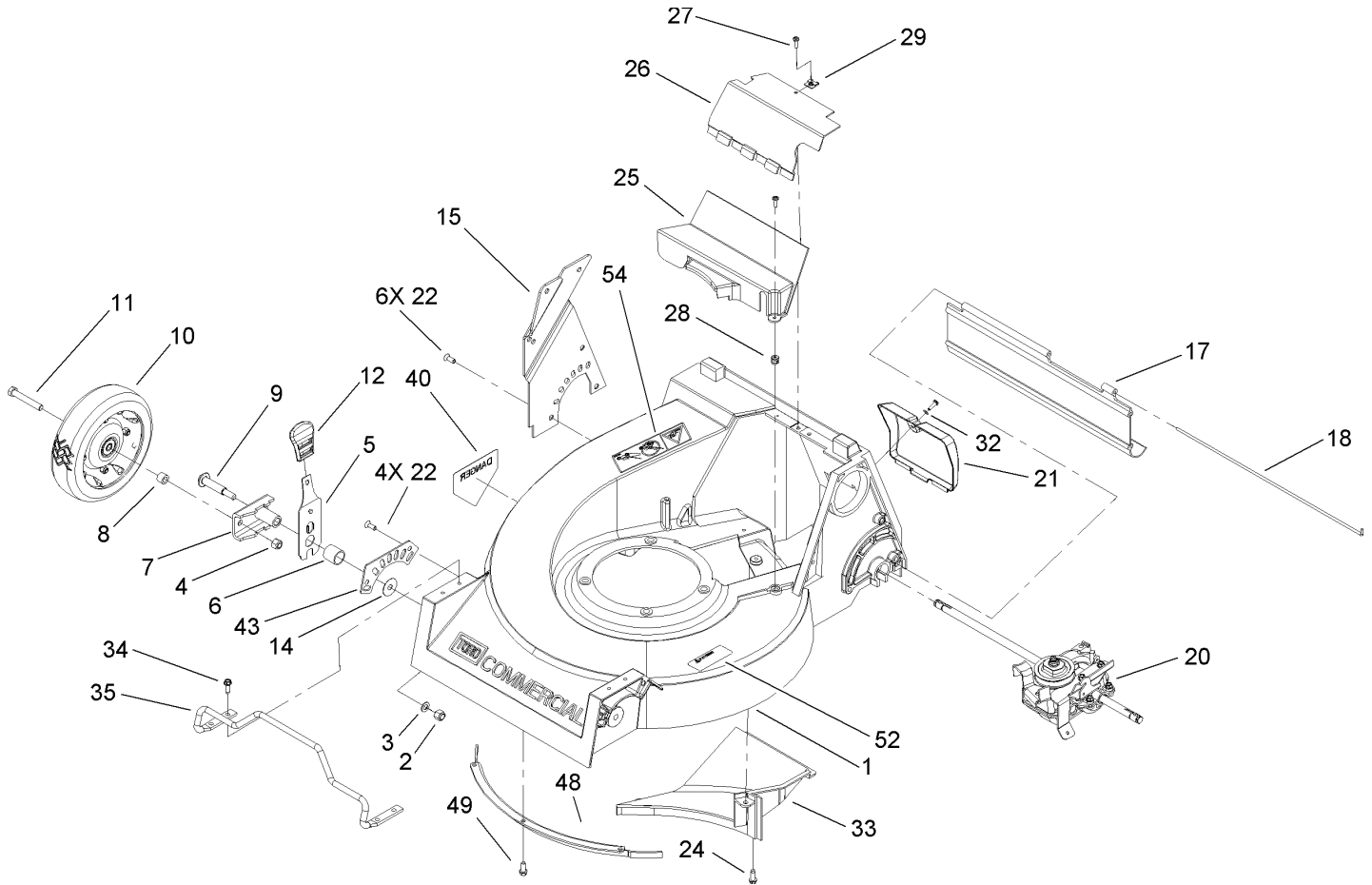
Part descriptions in this catalog may include the following abbreviations.

AR. as required	HYD. hydraulic
ASM. assembly	LH. left hand
BBC. blade brake clutch	NI. nylon insert
CARR. carriage	NPTF. national pipe thread fine
DEG. degrees	PFH. phillips flat head
EXT. external	PPH. phillips pan head
FH. flat head	PPHTF. phillips pan head thread forming
GA. gauge	PRH. phillips round head
HD. heavy-duty	PTH. phillips truss head
HF. hex flange	PTO. power-take-off
HH. hex head	RH. right hand
HHF. hex head flange	ROPS. roll-over protection system
HHFTF. hex head flange thread forming	SFH. slotted fillister head
HJ. hex jam	SHH. slotted hex head
HLH. hex lag head	SHWH. slotted hex washer head
HOC. height-of-cut	SPH. slotted pan head
HSBH. hex socket button head	SQH. square head
HSFH. hex socket flat head	SRH. slotted round head
HSH. hex socket head	STD. standard
HWH. hex washer head	TAP. self tapping
HWHTF. hex washer head thread forming	TTH. torx truss head

Footnotes

❶ Not illustrated

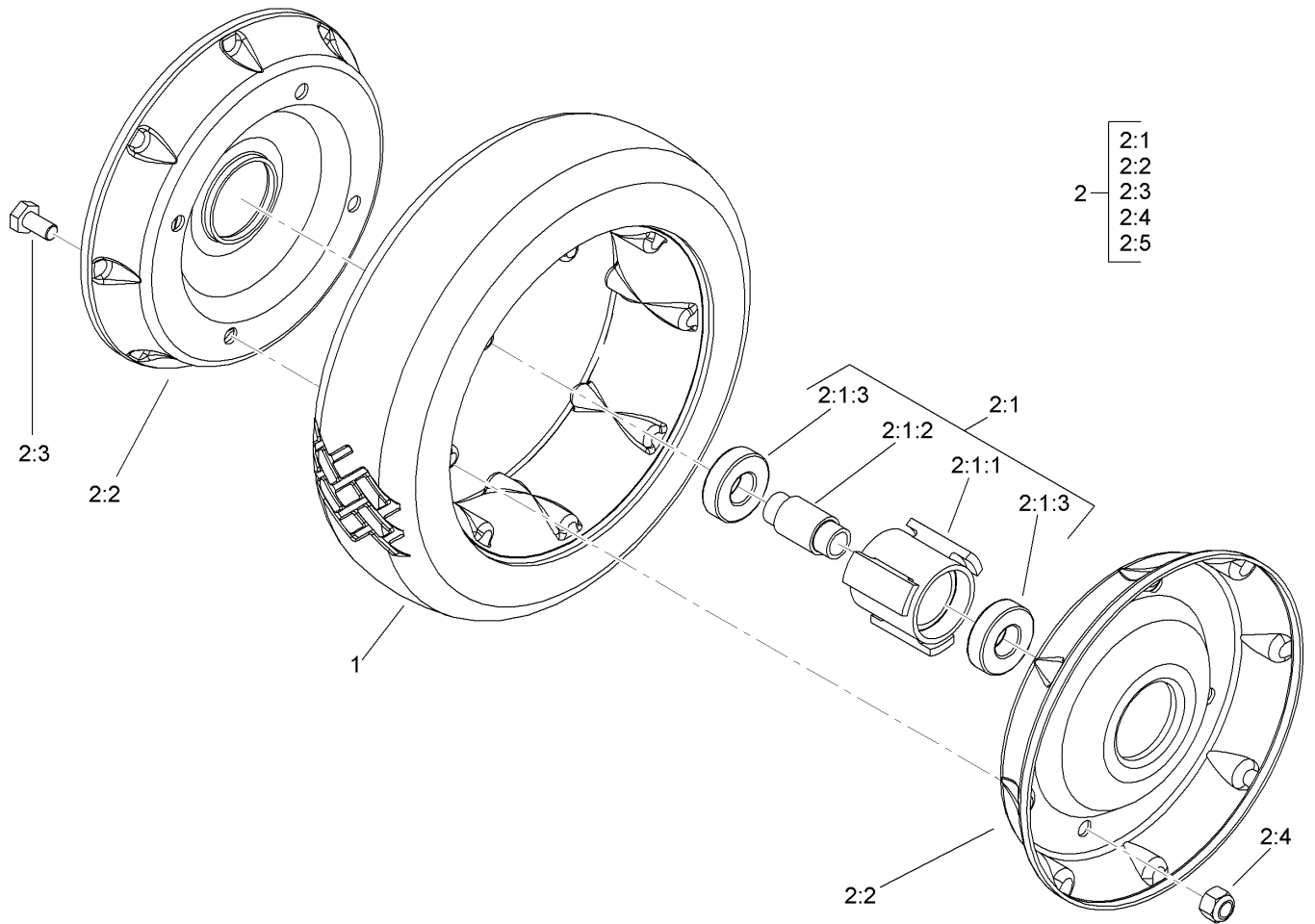
❷ Not serviced separately



Housing Assembly

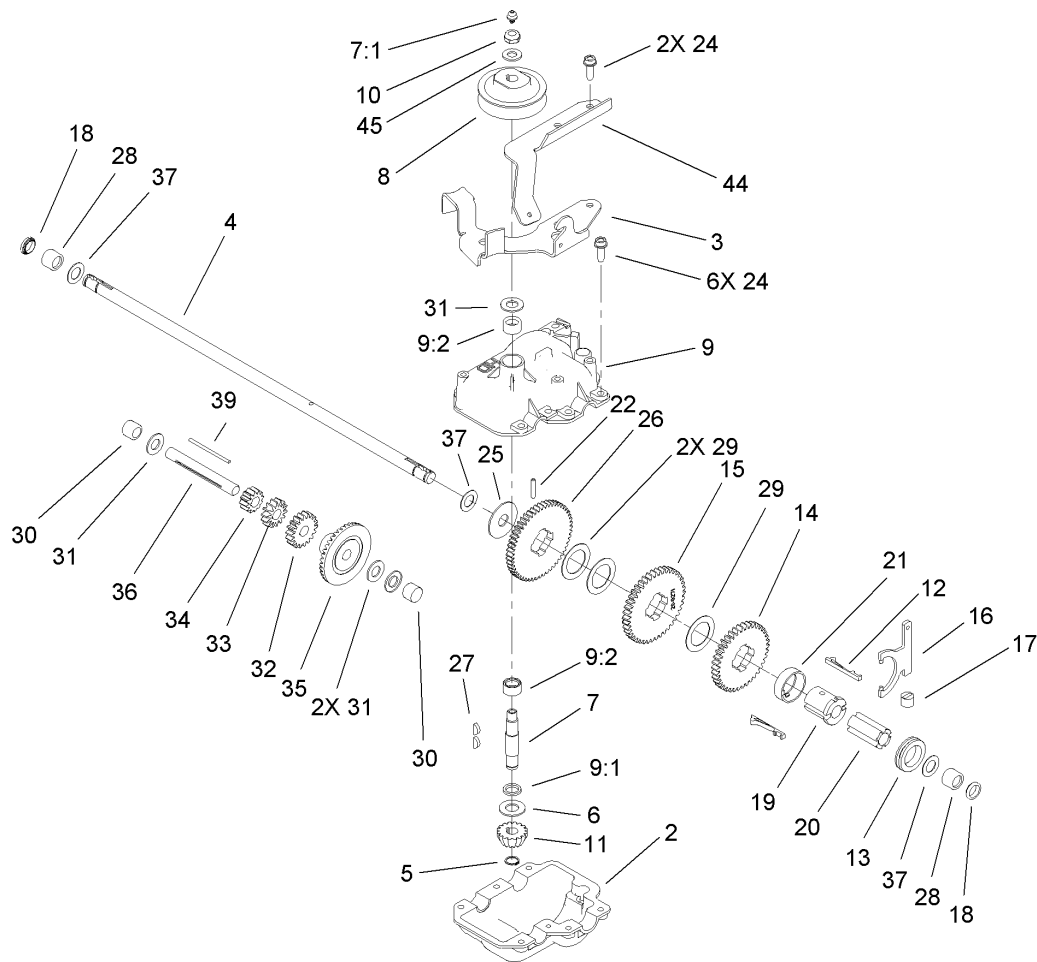
Ref	Part No.	Qty.	Description
1	107-4165-01	1	Housing
2	3296-6	2	Nut-Lock
3	40-1940	2	Washer
4	32152-2	2	Nut-Lock, Cone
5	110-0537	2	Spring Arm ASM
6	75-5310	2	Spacer-Bearing
7	61-8300	2	Arm-Pivot, Front
8	52-2480	2	Spacer-Wheel
9	27-6232	2	Bolt-Wheel
10	100-2870	2	Wheel And Tire ASM
11	323-12	2	Screw-HH
12	110-0549	2	Knob-HOC
13	112-8731	1	Plate-Front HOC, LH
14	105-6814	2	Washer-Plain
15	112-8730-01	1	Plate-Rear HOC, RH
17	110-0509	1	Shield-Trailing
18	33-3202	1	Rod-Shield
19	112-8729-01	1	Plate-Rear HOC, LH
20	110-2100	1	Gear Case ASM
21	107-4288	1	Door-Access, Rear
22	32144-17	10	Screw-HH
24	49-2040	4	Screw-HWHTF
25	107-4297	1	Cover-Belt, Lower
26	107-4298	1	Cover-Belt, Upper

Ref	Part No.	Qty.	Description
27	32144-32	3	Screw
28	611380	1	Nut-Clip
29	3290-171	2	Nut-Type J
32	3256-14	1	Washer-Flat
33	110-2108	1	Baffle-Chute, Floor
34	49-2040	4	Screw-HWHTF
35	110-4876	1	Guard-Engine
40	93-6654	1	Decal-Danger
43	112-8732	1	Plate-Front HOC, RH
48	46-5400-03	1	Shield
49	32144-85	3	Screw-HWH
52	110-4978	1	Decal-Danger
54	110-4977	1	Decal-Danger



Front Wheel and Tire Assembly No. 100-2870

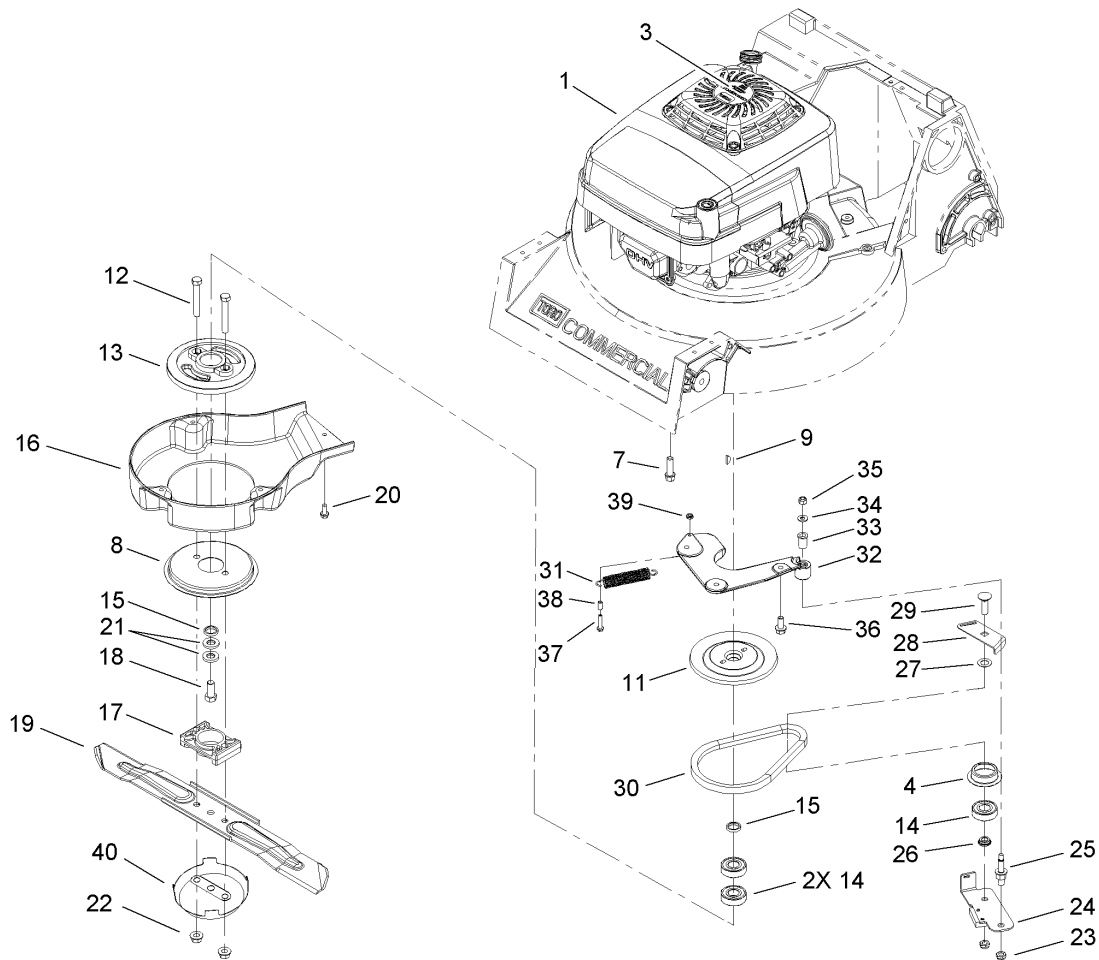
Ref	Part No.	Qty.	Description
1	53-7740	1	Tire
2		1	Wheel ASM
2:1		1	Hub And Bearing ASM
2:1:1	52-2410	1	Hub-Bearing
2:1:2	52-2440	1	Spacer-Bearing
2:1:3	52-2450	2	Bearing-Wheel
2:2	53-7780-06	2	Plate-Wheel, Half
2:3	321-2	4	Screw-HH
2:4	3296-42	4	Nut-Lock, NI



Gear Case Assembly No. 110-2100

Ref	Part No.	Qty.	Description
2	74-1920	1	Case-Gear, Lower
3	49-8461-03	1	Bracket-Guide, Belt
4	74-1890	1	Shaft-Output
5	32151-57	1	Ring-Retaining
6	47-2910	1	Washer-Thrust
7	13-5149	1	Input Shaft ASM
7:1	302-63	1	Zerk
8	39-6740	1	Pulley
9	13-9739	1	Upper Gearcase ASM
9:1	47-7260	1	Seal
9:2	47-7270	2	Bearing
10	3296-5	1	Nut-Lock
11	39-6660	1	Pinion-Bevel
12	29-9330	2	Key-Shift
13	29-9340	1	Collar-Shift
14	42-4740	1	Gear-38T
15	29-9271	1	Gear-42T
16	60-8870	1	Yoke-Shift
17	29-9570	1	Bushing-Yoke
18	47-6730	2	Seal-Oil
19	55-8010	1	Sleeve-Gear
20	39-6720	1	Sleeve
21	55-8020	1	Retainer-Key
22	3285-19	1	Pin-Groove

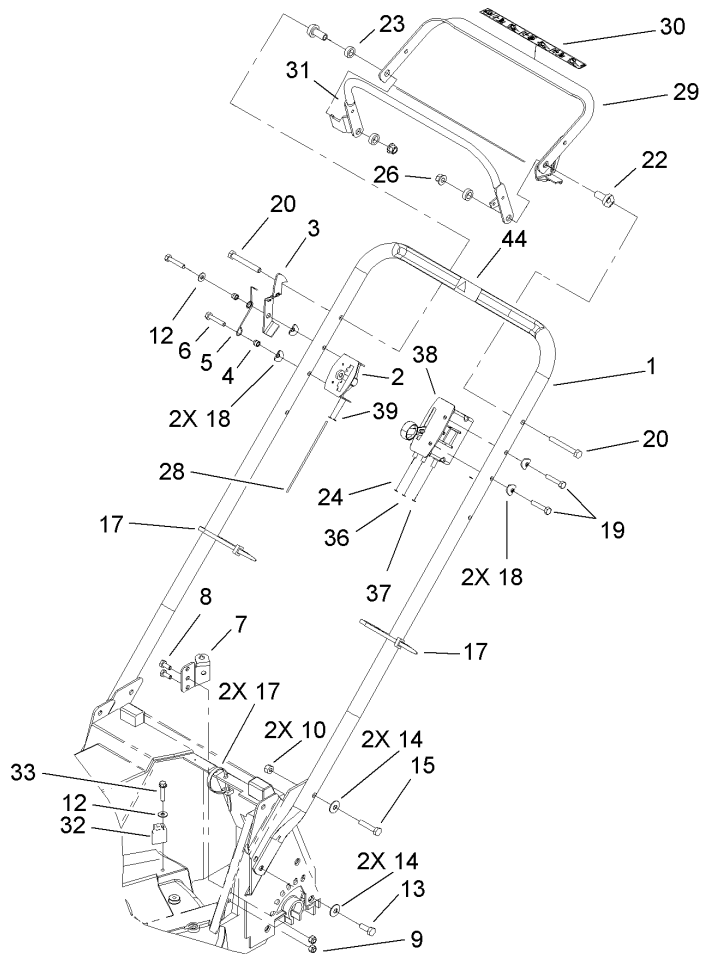
Ref	Part No.	Qty.	Description
24	49-2040	8	Screw-HWHTF
25	29-9690	1	Washer
26	46-3560	1	Gear
27	3257-1	2	Key-Woodruff
28	48-2060	2	Bearing-Roller
29	36-4770	3	Washer
30	252-103	2	Bearing-Closed
31	36-4792	4	Washer-Thrust
32	39-6650	1	Gear-18T
33	46-3550	1	Gear-14T
34	46-3540	1	Gear-12T
35	74-1760	1	Gear-Bevel
36	53-7950	1	Shaft-Intermediate
37	36-4780	3	Washer-Plain
39	39-7842	1	Key
44	108-2648-03	1	Arm-Actuating, Gear Case
45	3256-45	1	Washer-Flat



Engine and Blade Brake Clutch Assembly

Ref	Part No.	Qty.	Description
1	106-0845	1	Engine ASM
3	110-0520	1	Decal
4	108-3790	1	Retainer-Belt
7	95-1727	4	Screw-Taptite
8	108-3787	1	Disc
9	3257-17	1	Key-Woodruff
11	110-4967	1	Pulley-Upper Half, BBC
12	104-5936	2	Screw-HH
13	107-0754	1	Drum
14	100-1048	3	Bearing-Ball
15	107-4293	1	Spacer-Plate, BBC
16	110-0508	1	Shield-BBC
17	107-4275	1	Spacer-Blade
18	3212-4	1	Screw-HH
19	91-2256-03	1	Blade-21 Inch
20	32144-85	4	Screw-HWH
21	1-603610	2	Washer-Spring
22	54-9190	2	Nut-Lock
23	603773	2	Nut
24	107-7477	1	Brake Arm ASM
25	107-0759	1	Bolt-Shoulder
26	107-0758	1	Spacer-Bearing
27	605256	1	Washer
28	107-7471	1	Plate-Guide

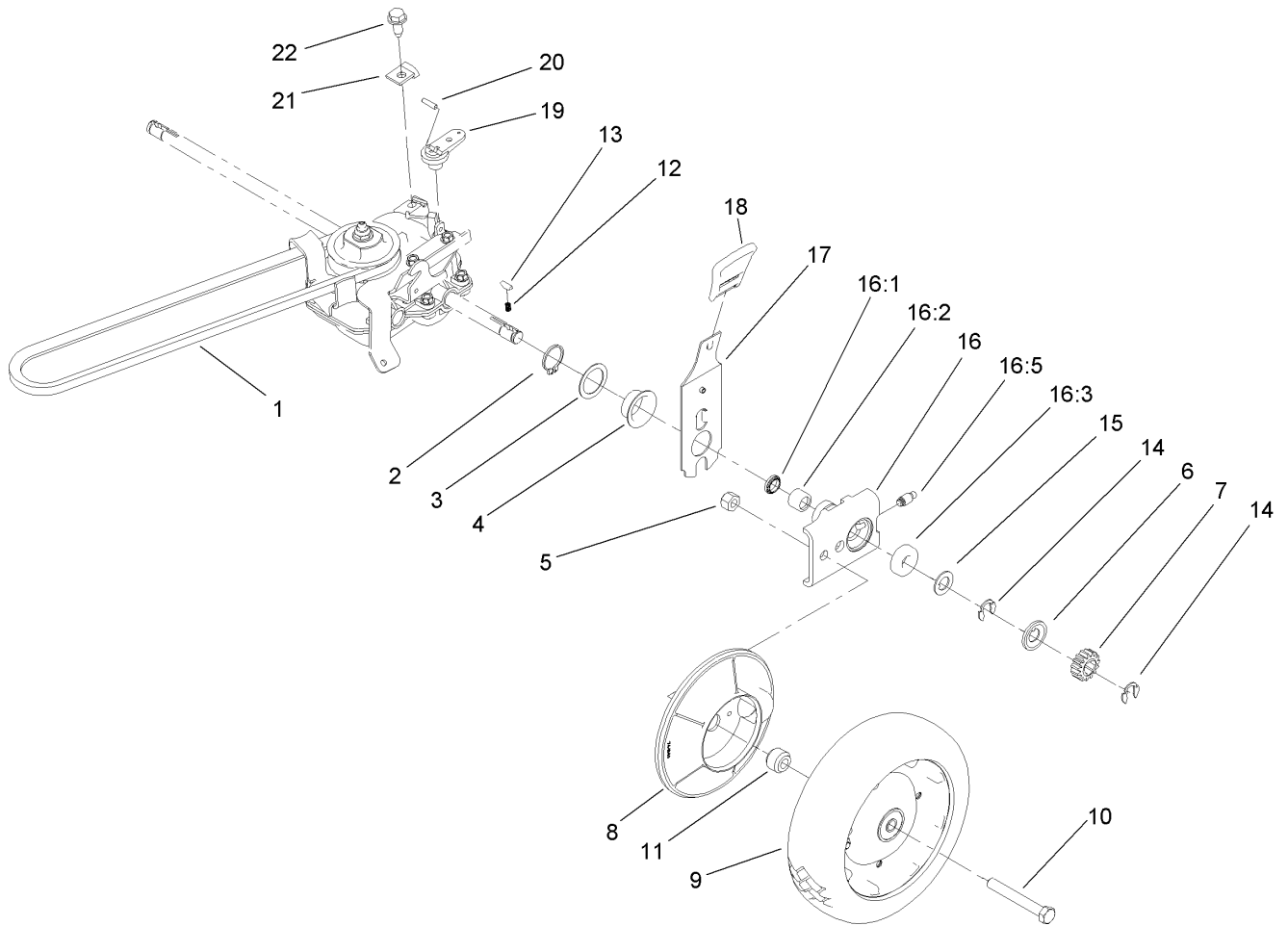
Ref	Part No.	Qty.	Description
29	3231-25	1	Screw-CARR
30	110-1790	1	Belt-BBC
31	108-3792	1	Spring-Tension, Brake
32	107-4280	1	Plate-Mounting, BBC
33	107-0797	1	Bushing
34	3256-16	1	Washer-Flat
35	3296-42	1	Nut-Lock, NI
36	33104-020	3	Screw-HHF
37	32144-9	1	Screw-TAP
38	107-4292	1	Spacer-BBC
39	3296-27	1	Nut-Lock, NI
40	80-2770	1	Cup-Scalp, Anti



Handle Assembly

Ref	Part No.	Qty.	Description
1	107-4162-03	1	Handle
2	110-5026	1	Control-Shift
3	110-0527-01	1	Latch-Lever, BBC
4	110-0542	2	Spacer-Flange
5	110-0541	1	Spring-Torsion, Latch
6	321-10	2	Screw-HH
7	613580	1	Anchor-Cable
8	321-3	2	Screw-HH
9	3296-56	2	Nut-Lock, NI
10	3296-29	4	Nut-Lock, NI
12	3256-1	2	Washer-Flat
13	322-4	2	Screw-HH
14	3290-456	4	Washer-Belleville
15	322-7	2	Screw-HH
17	3290-378	4	Tie-Cable
18	3-7501	4	Washer
19	321-13	2	Screw-HH
20	322-12	2	Screw-HH
22	49-1631	2	Spacer-Support
23	256-276	2	Spacer-Nylon
24	107-4296	1	Cable-BBC
26	3296-58	2	Nut-Lock, NI
28	107-4295	1	Cable-Shift
29	110-0545-03	1	Traction Bail ASM

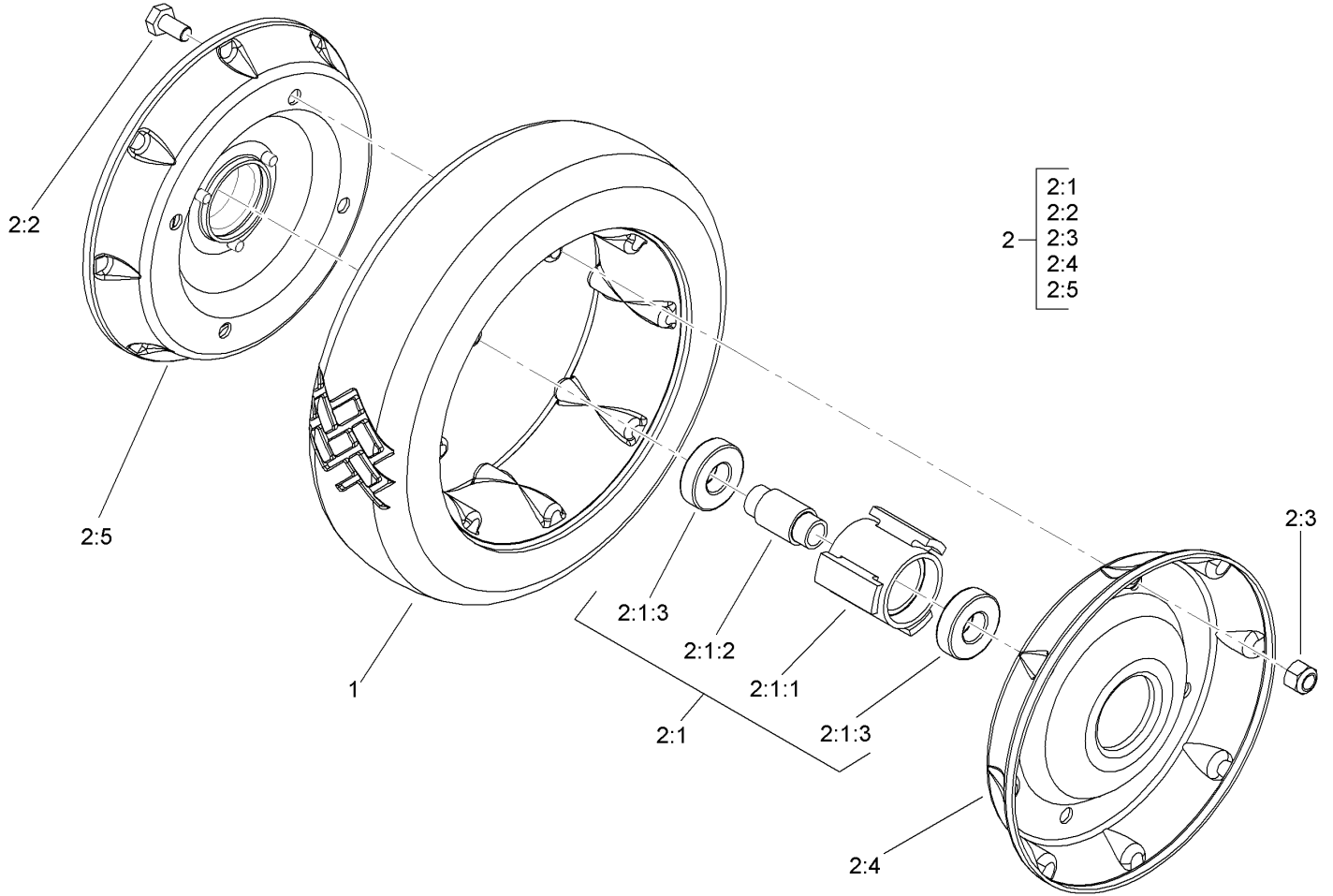
Ref	Part No.	Qty.	Description
30	110-2115	1	Decal-Control
31	110-0546-03	1	BBC Bail ASM
32	92-7729	1	Anchor-Cable, Upper
33	32144-110	1	Screw-HWH
36	107-4294	1	Cable-Traction
37	110-4923	1	Throttle Cable ASM
38	108-2645	1	Control-Head, Throttle
39	32151-86	4	E-Ring
44	98-4387	1	Decal-Protection, Ear



Rear Suspension Assembly

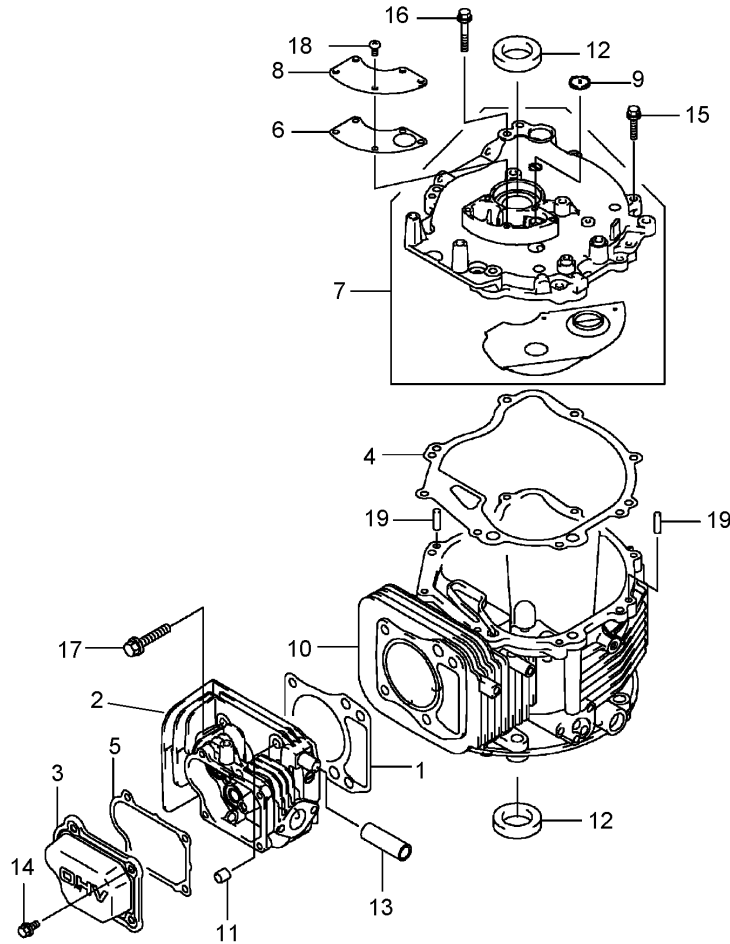
Ref	Part No.	Qty.	Description
1	612652	1	V-Belt
2	32151-36	2	Ring-Retaining
3	74-1810	2	Washer
4	48-2170	2	Cap-End
5	32152-2	2	Nut-Lock, Cone
6	62-3830	2	Washer-Thrust, Outer
7	39-9160	2	Gear-Pinion
8	74-1640	2	Cover-Wheel
9	100-2860	2	Wheel And Tire ASM
10	323-13	2	Screw-HH
11	74-1650	2	Spacer-Cover, Wheel
12	39-9650	2	Spring-Compression
13	612066	2	Key
14	32151-68	4	Ring-Retaining
15	49-7700	2	Washer-Thrust, Outer
16	74-1851	2	Pivot Arm ASM
16:1	47-6730	1	Seal-Oil
16:2	48-2060	1	Bearing-Roller
16:3	52-2450	1	Bearing-Wheel
16:5	92-6316	1	Zerk
17	110-0538	2	Rear Spring Arm ASM
18	110-0549	2	Knob-HOC
19	29-9560	1	Lever-Shift
20	32121-99	1	Pin-Coil

Ref	Part No.	Qty.	Description
21	62-3720	1	Clamp-Cable
22	32144-70	1	Screw-HWHTF



Rear Wheel Assembly No. 100-2860

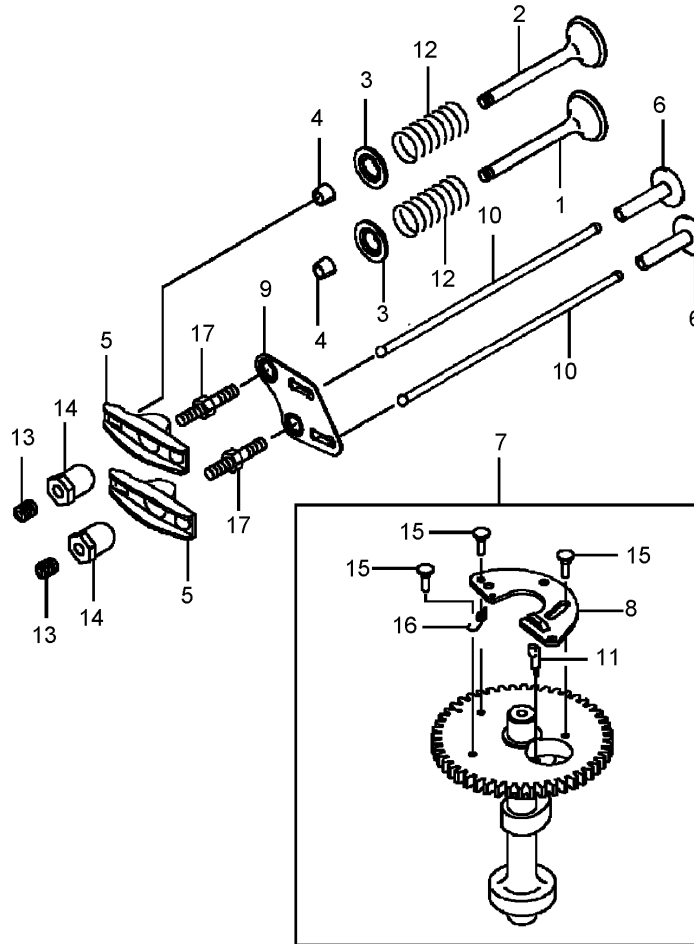
Ref	Part No.	Qty.	Description
1	53-7740	1	Tire
2		1	Wheel ASM
2:1		1	Hub And Bearing ASM
2:1:1	52-2410	1	Hub-Bearing
2:1:2	52-2440	1	Spacer-Bearing
2:1:3	52-2450	2	Bearing-Wheel
2:2	321-2	4	Screw-HH
2:3	3296-42	4	Nut-Lock, NI
2:4	53-7780-06	1	Plate-Wheel, Half
2:5	92-4957-06	1	Wheel Half And Gear ASM



Cylinder and Crankcase Assembly

Ref	Part No.	Qty.	Description
1	108-2627	1	Gasket-Head
2	108-2501	1	Head-Cylinder
3	108-2502	1	Case-Rocker
4	108-2503	1	Gasket
5	108-2504	1	Gasket-Case, Rocker
6	108-2505	1	Gasket-Breather
7	108-2506	1	Cover-Complete
8	108-2507	1	Cover-Breather
9	108-2508	1	Valve-Breather
10	108-2509	1	Crankcase-Complete
11	108-2510	2	Pin
12	108-2511	2	Seal-Oil
13	108-2512	1	Tube
14	100-2804	4	Bolt-Flanged
15	100-2610	7	Bolt-Flanged
16	108-2513	1	Bolt-Flange
17	108-2514	4	Bolt-Flange
18	100-2763	5	Screw-Pan
19	108-2515	2	Pin-Dowel

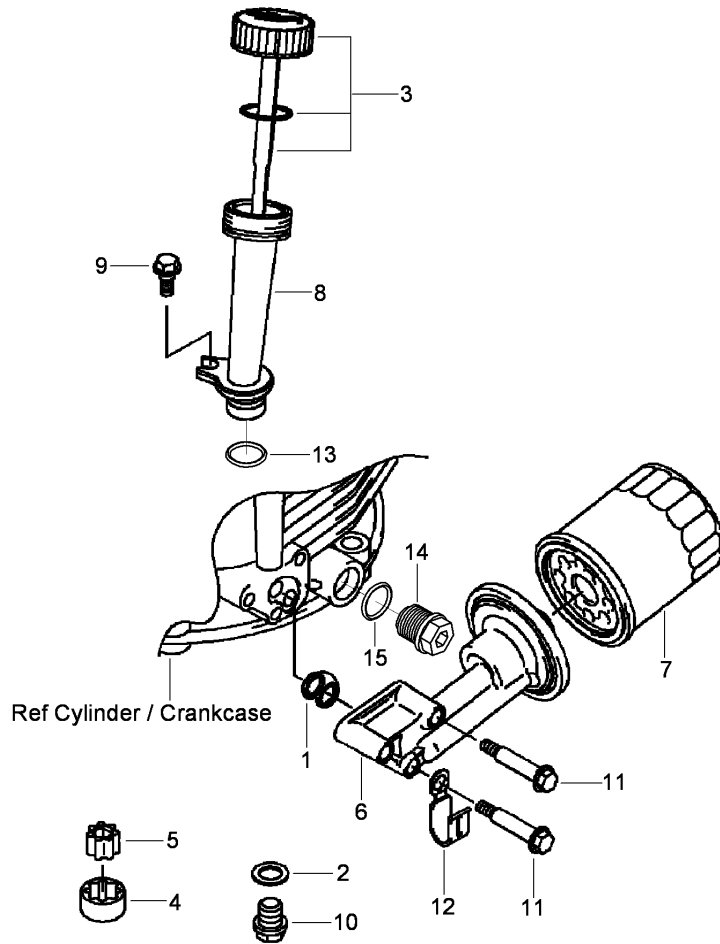
--	--	--	--



Valve and Camshaft Assembly

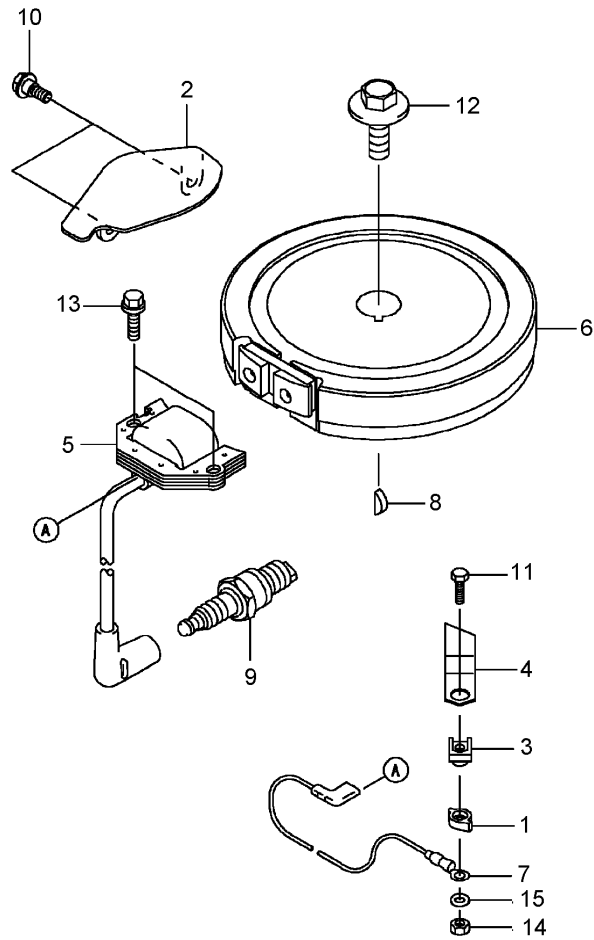
Ref	Part No.	Qty.	Description
1	108-2523	1	Valve-Intake
2	108-2524	1	Valve-Exhaust
3	108-2525	2	Retainer-Spring, Valve
4	95-9744	4	Collet
5	108-2526	2	Arm-Rocker
6	108-2527	2	Tappet
7	108-2528	1	Camshaft Valve ASM
8	108-2529	1	Weight
9	108-2530	1	Guide
10	108-2531	2	Rod-Push
11	108-2532	1	Arm
12	108-2533	2	Spring-Valve, Engine
13	108-2534	2	Screw
14	93-8534	2	Nut
15	108-2535	3	Pin
16	108-2536	1	Spring
17	108-2537	2	Bolt

--	--	--	--



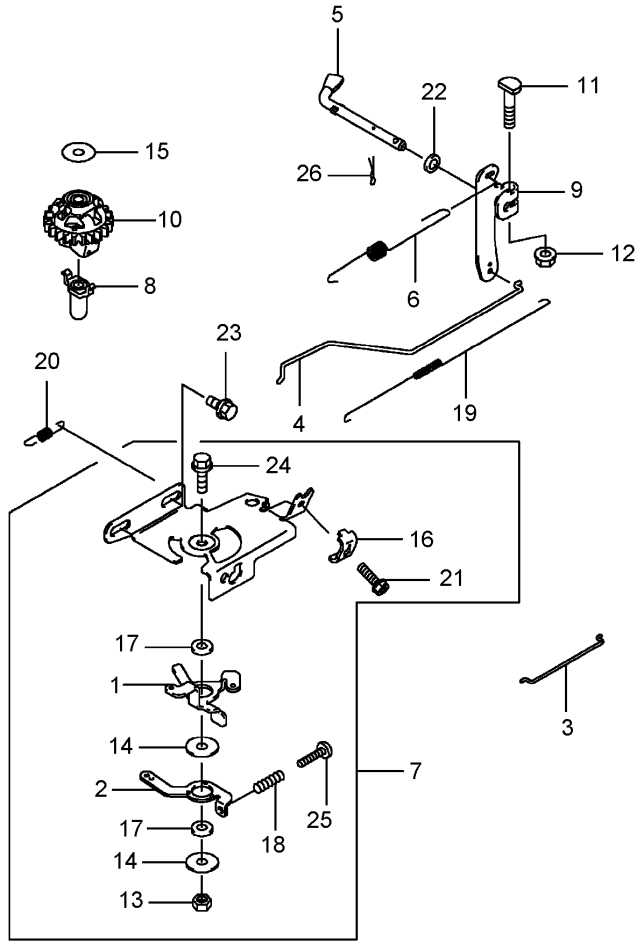
Lubrication Equipment Assembly

Ref	Part No.	Qty.	Description				
1	100-2644	1	Gasket				
2	108-2538	1	Gasket				
3	108-2539	1	Cap ASM				
4	108-2540	1	Rotor-Pump				
5	108-2541	1	Rotor-Pump				
6	108-2542	1	Pipe				
7	KW10761	1	Filter-Oil				
8	108-2543	1	Filler				
9	108-2544	1	Bolt				
10	108-2545	1	Bolt				
11	108-2546	3	Bolt				
12	108-2547	1	Clamp				
13	100-2690	1	O-Ring				
14	112-9991	1	Plug-Drain, Oil				
15	100-2690	1	O-Ring				



Electrical Equipment Assembly

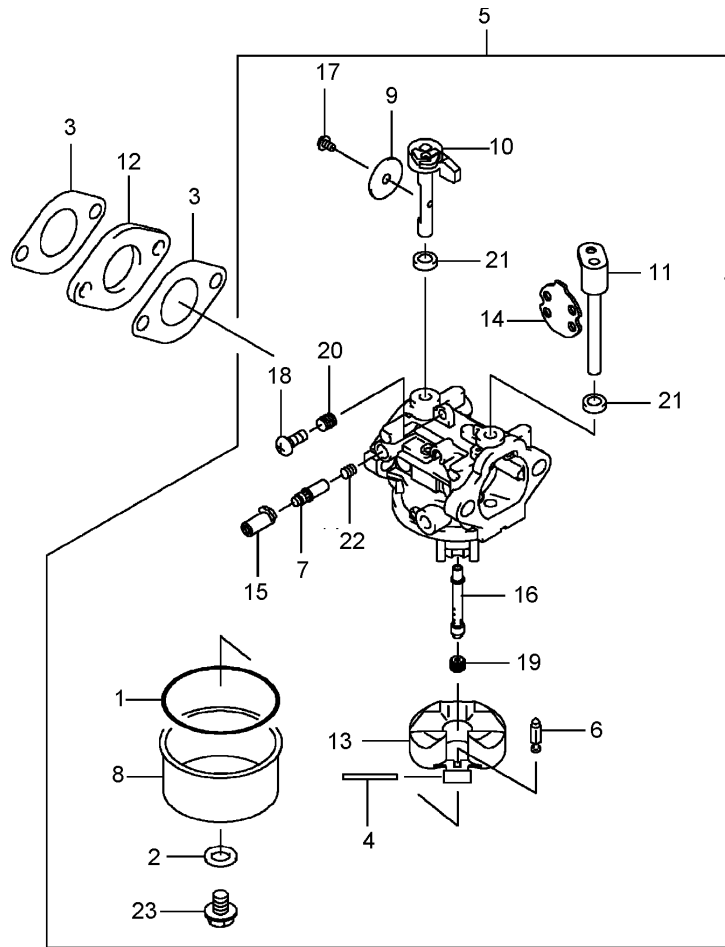
Ref	Part No.	Qty.	Description			
1	100-2652	1	Cover			
2	108-2553	1	Cover			
3	100-2653	1	Insulator			
4	100-2796	1	Terminal			
5	108-2554	1	Coil Ignition ASM			
6	108-2555	1	Flywheel			
7	108-2556	1	Wire-Lead			
8	93-8571	1	Key			
9	KW10676	1	Spark Plug			
10	108-2544	2	Bolt			
11	108-2558	1	Bolt			
12	108-2559	1	Bolt			
13	95-9893	2	Bolt-Flanged			
14	100-2668	1	Nut-Hex			
15	100-2798	1	Washer-Plain			



Control Equipment Assembly

Ref	Part No.	Qty.	Description
1	108-2560	1	Lever
2	108-2561	1	Lever
3	108-2562	1	Link-Choke
4	108-2563	1	Link-Throttle
5	108-2564	1	Arm-Pivot
6	108-2565	1	Spring-Govenor
7	108-2566	1	Control Panel ASM
8	108-2567	1	Sleeve
9	108-2568	1	Arm-Governor
10	108-2569	1	Governor ASM
11	108-2570	1	Bolt
12	108-2571	1	Nut
13	108-2572	1	Nut
14	100-2715	2	Washer
15	93-8612	1	Washer
16	95-9849	1	Clamp
17	100-2718	2	Collar
18	93-8588	1	Spring
19	108-2573	1	Spring-Throttle
20	108-2574	1	Spring
21	95-9853	1	Bolt
22	108-2575	1	Washer
23	100-2804	2	Bolt-Flanged
24	108-2576	1	Bolt-Flange

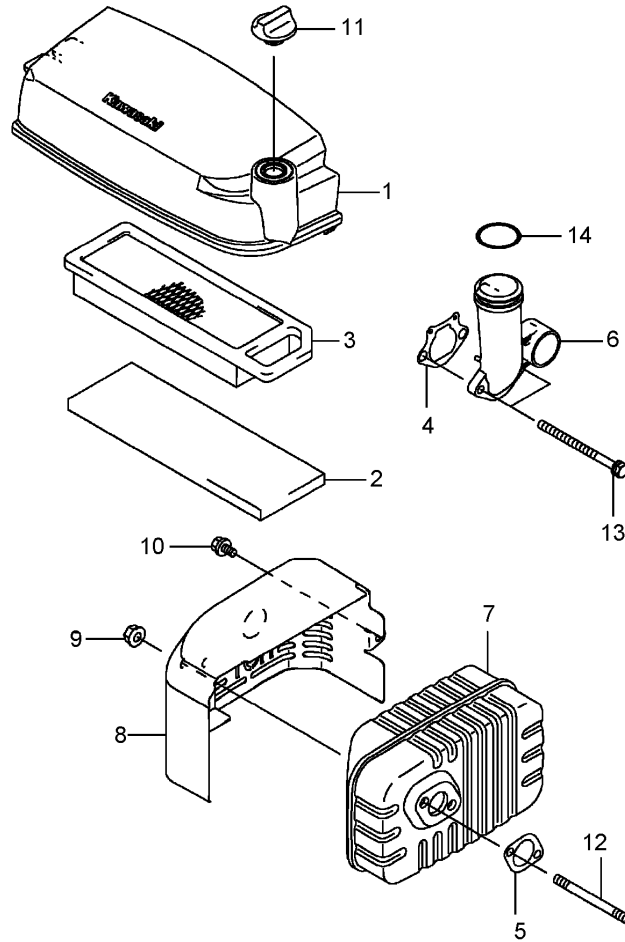
Ref	Part No.	Qty.	Description
25	108-2577	1	Screw-Pan
26	108-2578	1	Pin-Snap



Carburetor Assembly

Ref	Part No.	Qty.	Description
1	108-2579	1	Gasket
2	108-2580	1	Gasket
3	108-2581	2	Gasket
4	108-2582	1	Shaft
5	108-2583	1	Carburetor ASM
6	108-2584	1	Needle-Jet
7	108-2585	1	Screw-Pilot, Air
8	108-2586	1	Chamber-Float
9	108-2587	1	Valve-Throttle
10	108-2588	1	Shaft-Carburetor
11	108-2589	1	Shaft-Carburetor
12	108-2590	1	Insulator
13	108-2591	1	Float ASM
14	108-2592	1	Choke Valve ASM
15	108-2593	1	Limiter
16	108-2594	1	Nozzle-Main
17	108-2595	1	Screw
18	108-2596	1	Screw
19	108-2597	1	Jet-Main (#74)
20	108-2598	1	Spring
21	108-2599	2	Seal
22	108-2600	1	Spring
23	108-2601	1	Screw

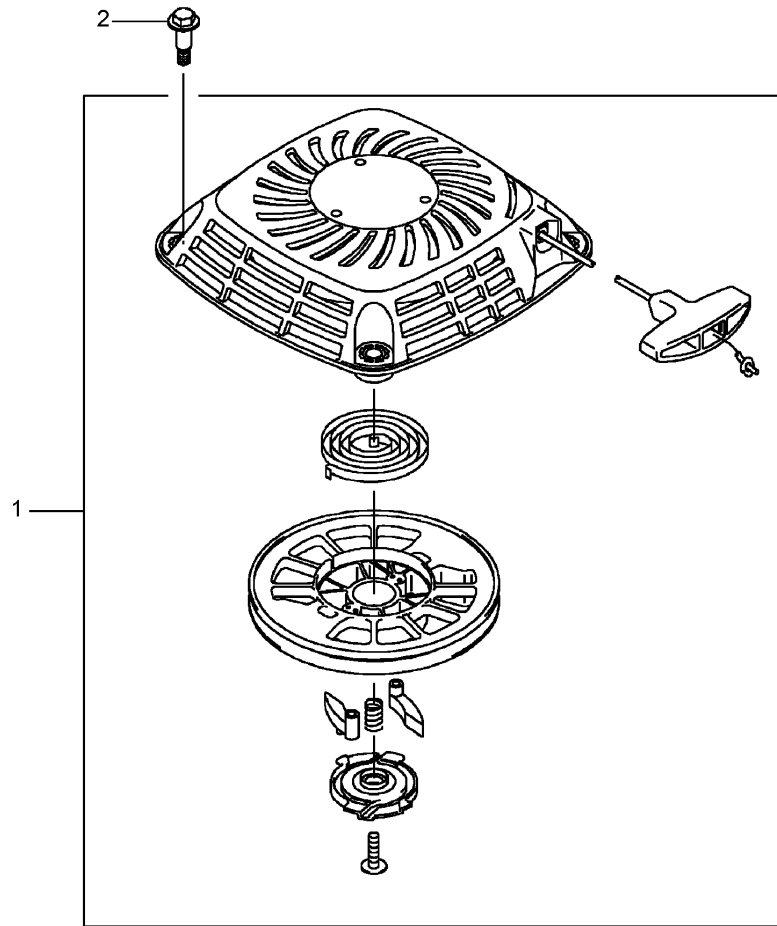
--	--	--	--



Air Filter and Muffler Assembly

Ref	Part No.	Qty.	Description
1	108-2602	1	Case-Filter, Air
2	108-2603	1	Element-Filter, Air
3	108-2604	1	Air Filter Element ASM
4	108-2605	1	Gasket-Pipe, Intake
5	108-2606	1	Gasket-Muffler
6	108-2607	1	Pipe-Intake
7	108-2608	1	Muffler
8	108-2609	1	Cover-Muffler
9	108-2610	2	Nut
10	108-2611	1	Bolt
11	108-2612	1	Nut
12	100-2761	2	Bolt-Stud
13	100-2762	2	Bolt
14	108-2613	1	O-Ring

--	--	--	--



Starter Assembly

Ref	Part No.	Qty.	Description				
1	108-2614	1	Starter-Recoil				
2	108-2615	4	Bolt				

NOTES

NOTES

