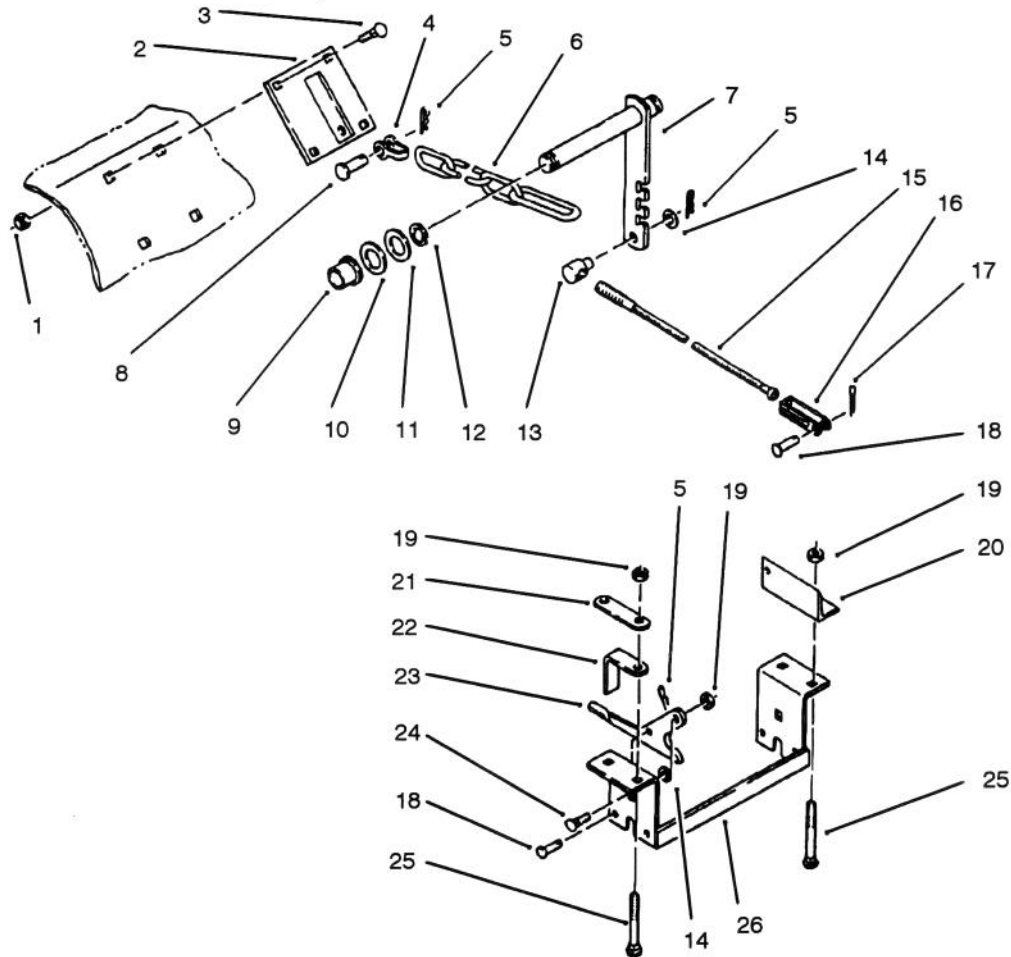


**TORO**<sup>®</sup>

MODEL NO. 79370-3900001 &amp; UP

**PARTS  
CATALOG****WHEEL HORSE<sup>®</sup>**  
36 in. Garden Tractor Tiller

C-1518

**HITCH ASSEMBLY**

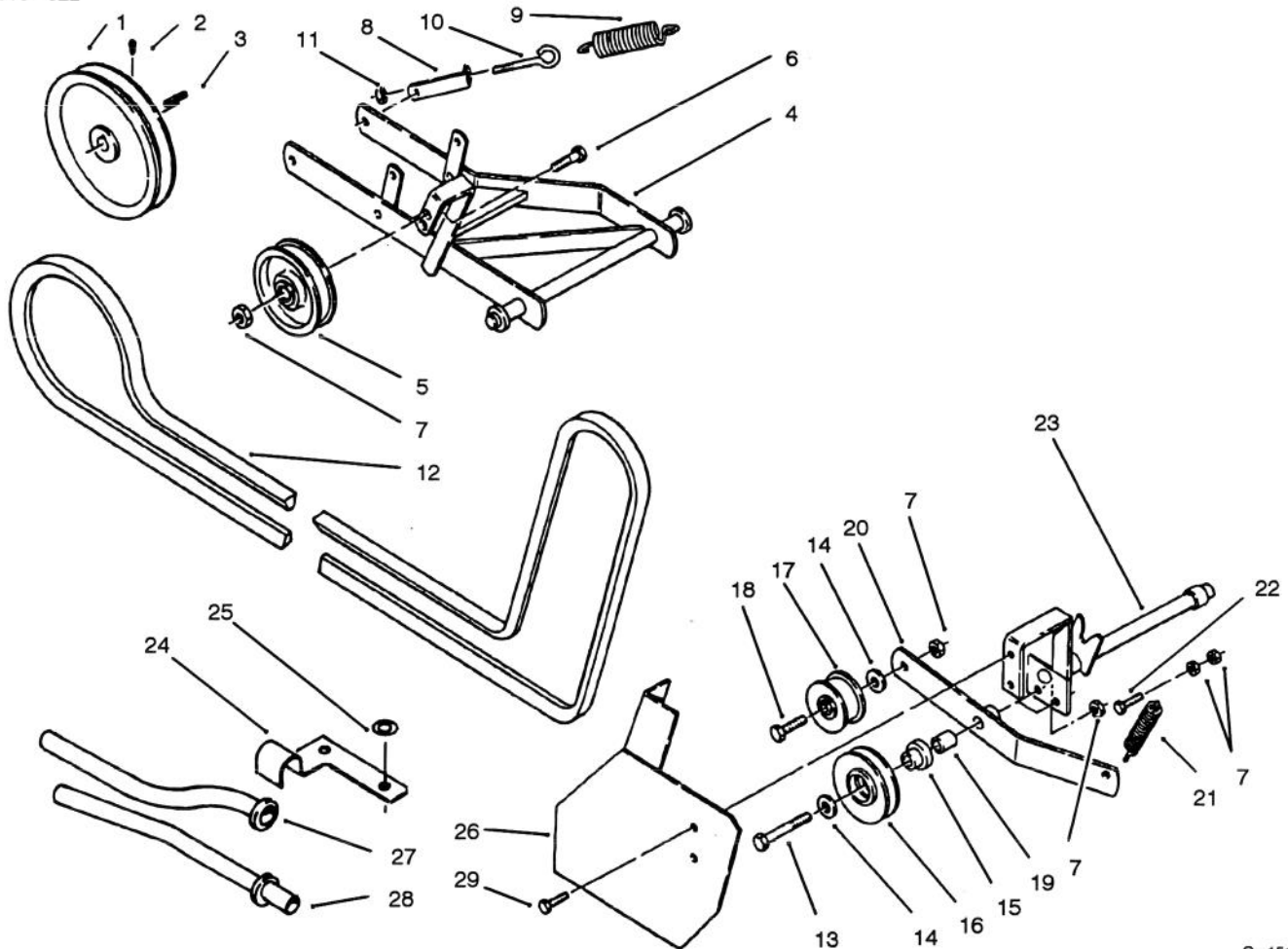
Ref. No.	Part No.	Description	No. Used
1	3296-29	Nut - Lock	4
2	106531	Plate - Lift	1
3	3230-1	Bolt - Carriage	4
4	79-2280	Assembly - Clevis	1
5	933504	Pin - Cotter	4
6	110046	Chain - Lift	1
7	110044	Lever	1
8	105821	Pin - Clevis	1
9	108519	Bushing	2
10	1278	Washer - Shim	2
11	5210	Washer - Shim	2
12	5618	E-Ring	2
13	104524	Trunnion	1
14	3256-24	Washer - Flat	3
15	108144	Cable - Lift	1

Ref. No.	Part No.	Description	No. Used
16	108145	Clevis - Short, 8-Speed & Sundstrand Hyd. Trans.	1
*	108143	Clevis - Long, Eaton Hyd. Transmission	1
17	932000	Pin - Cotter	1
18	932120	Pin - Clevis	3
19	32146-2	Nut - Lock	11
20	108485	Link - RH	1
21	3697	Link - LH	1
22	7713	Spacer - Axle	2
23	104657	Latch - Hitch	2
24	2131-2	Bolt - Carriage	2
25	3231-11	Bolt - Carriage	4
26	104659	Bracket - Mounting	1

\* Not illustrated.

© The TORO Company - 1993  
All Rights Reserved

TPS



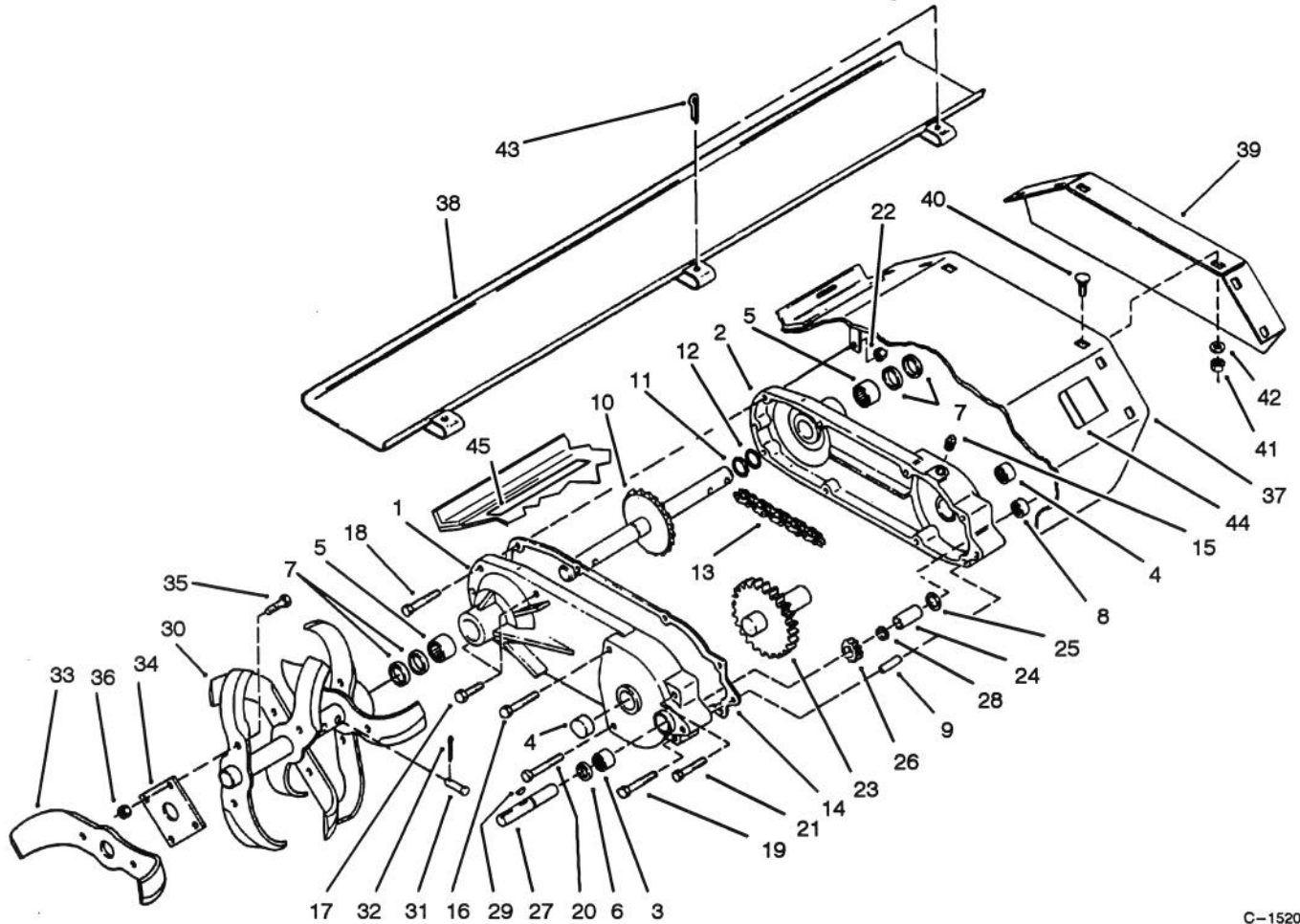
C-1519

## PULLEY ASSEMBLY

Ref. No.	Part No.	Description	No. Used
1	6844	Pulley	1
2	1005	Key - Square	1
3	909540	Screw - Sq. Hd. Set	2
4	105543	Hitch	1
5	105874	Pulley - Idler	1
6	911404	Screw - Cap Hex. Hd.	1
7	32146-2	Nut - Lock	10
8	104448	Bracket - Spring	1
9	4629	Spring - Heavy, Lift	1
10	100653	Bolt - Eye	1
11	3296-39	Nut - Lock	1
12	110265	Belt - Drive	1
13	323-13	Screw - Cap Hex. Hd.	1
14	3256-41	Washer - Flat	2
15	83-2950	Spacer	1
16	104974	Pulley - Idler, V	1

Ref. No.	Part No.	Description	No. Used
17	MW8821	Pulley - Idler, Flat	1
18	323-9	Screw - Cap Hex. Hd.	1
19	102025	Spacer	1
20	92-4082	Arm - Idler	1
21	6135	Spring - Light, Idler	1
22	323-7	Screw - Cap Hex. Hd.	1
23	110008	Support - Idler, Mid-Mount	1
24	108903	Clamp - Conduit	1
25	105533	Washer - Mech. Trans.	1
26	110039	Guard - Idler	1
27	108315	Conduit - Hyd. Trans.	1
28	105529	Conduit - Mech. Trans.	1
29	926671	S.T. Bolt	2
*	105845	Tube Assembly (Incl. ref.# 25 & 28)	1

\* Not illustrated.



C-1520

### GEAR CASE ASSEMBLY

Ref. No.	Part No.	Description	No. Used
1	6837	RH Case	1
2	6837	LH Case	1
3	1540	Needle Bearing	1
4	1532	Needle Bearing	2
5	6838	Needle Bearing	1
6	100441	Seal	1
7	103118	Seal	4
8	1529	Needle Bearing	1
9	32121-41	Pin - Spirol	2
10	106009	Shaft - Tine	1
11	32120-33	Snap Ring	2
12	106011	Washer - Special	2
13	6848	Chain (Endless)	1
14	83-3330	Gasket	1
15	281-3	Plug - Pipe	2
16	323-21	Screw - Cap Hex. Hd.	1
17	323-13	Screw - Cap Hex. Hd.	3
18	323-15	Screw - Cap Hex. Hd.	1
19	323-23	Screw - Cap Hex. Hd.	1
20	323-25	Screw - Cap Hex. Hd.	1
21	323-42	Screw - Cap Hex. Hd.	1
22	3296-39	Nut - Lock	8
23	106007	Gear - Reduction	1
24	83-3340	Spacer	1

Ref. No.	Part No.	Description	No. Used
25	1535	Washer - Thrust	1
26	3528	Gear - Pinion	1
27	104387	Shaft - Input	1
28	32120-72	Snap Ring	1
29	3257-5	Key - Woodruff	1
30	9204	Tine - Inside, RH	1
*	9205	Tine - Inside, LH	1
31	9208	Pin - Clevis	4
32	3272-11	Pin - Cotter	4
33	9206	Tine - Outside, RH	1
*	9207	Tine - Outside, LH	1
34	9203	Plate - Mounting, Outside Tine	2
35	324-4	Screw - Cap Hex. Hd.	8
36	3296-48	Nut - Lock	8
37	92-6514	Shield - Tine (Incl. ref.#44)	1
38	110289	Shield - Rear	1
39	104434	Cover - End	2
40	900036	Bolt - Carriage	12
41	3296-29	Nut - Lock	12
42	3256-23	Washer - Flat	12
43	3272-4	Pin - Cotter	3
44	92-1547	Decal - Danger	2
45	76-1330	Decal - Attachment	1

\*Not Illustrated.

# TORO PART NUMBER INDEX

3315-622

Part No.	Description	Pg. Ref. No. No. Qty.	Part No.	Description	Pg. Ref. No. No. Qty.
1005	Key - Square	2 2 1	110039	Guard - Idler	2 26 1
1278	Washer - Shim	1 10 2	110044	Lever	1 7 1
1529	Needle Bearing	3 8 1	110046	Chain - Lift	1 6 1
1532	Needle Bearing	3 4 2	110265	Belt - Drive	2 12 1
1535	Washer - Thrust	3 25 1	110289	Shield - Rear	3 38 1
1540	Needle Bearing	3 3 1	900036	Bolt - Carriage	3 40 12
3528	Gear - Pinion	3 26 1	909540	Screw - Sq. Hd. Set	2 3 2
3697	Link - LH	1 21 1	911404	Screw - Cap Hex. Hd.	2 6 1
4629	Spring - Heavy, Lift	2 9 1	926671	S.T. Bolt	2 29 2
5210	Washer - Shim	1 11 2	932000	Pin - Cotter	1 17 1
5618	E-Ring	1 12 2	932120	Pin - Clevis	1 18 3
6135	Spring - Light, Idler	2 21 1	933504	Pin - Cotter	1 5 4
6837	LH Case	3 2 1	108143	Clevis - Long, Eaton Hyd.	1 * 1
6837	RH Case	3 1 1	MW8821	Pulley - Idler, Flat	2 17 1
6838	Needle Bearing	3 5 1	76-1330	Decal - Attachment	3 45 1
6844	Pulley	2 1 1	79-2280	Assembly - Clevis	1 4 1
6848	Chain (Endless)	3 13 1	83-2950	Spacer	2 15 1
7713	Spacer - Axle	1 22 2	83-3330	Gasket	3 14 1
9203	Plate - Mounting,	3 34 2	83-3340	Spacer	3 24 1
9204	Tine - Inside, RH	3 30 1	92-1547	Decal - DANGER	3 44 2
9205	Tine - Inside, LH	3 * 1	92-4082	Arm - Idler	2 20 1
9206	Tine - Outside, RH	3 33 1	92-6514	Shield - Tine	3 37 1
9207	Tine - Outside, LH	3 * 1	2131-2	Bolt - Carriage	1 24 2
9208	Pin - Clevis	3 31 4	281-3	Plug - Pipe	3 15 2
100441	Seal	3 6 1	323-7	Screw - Cap Hex. Hd.	2 22 1
100653	Bolt - Eye	2 10 1	323-9	Screw - Cap Hex. Hd.	2 18 1
102025	Spacer	2 19 1	323-13	Screw - Cap Hex. Hd.	2 13 1
103118	Seal	3 7 4	323-13	Screw - Cap Hex. Hd.	3 17 3
104387	Shaft - Input	3 27 1	323-15	Screw - Cap Hex. Hd.	3 18 1
104434	Cover - End	3 39 2	323-21	Screw - Cap Hex. Hd.	3 16 1
104448	Bracket - Spring	2 8 1	323-23	Screw - Cap Hex. Hd.	3 19 1
104524	Trunnion	1 13 1	323-25	Screw - Cap Hex. Hd.	3 20 1
104657	Latch - Hitch	1 23 2	323-42	Screw - Cap Hex. Hd.	3 21 1
104659	Bracket - Mounting	1 26 1	324-4	Screw - Cap Hex. Hd.	3 35 8
104974	Pulley - Idler, V	2 16 1	3230-1	Bolt - Carriage	1 3 4
105529	Conduit - Mech. Trans.	2 28 1	3231-11	Bolt - Carriage	1 25 4
105533	Washer - Mech. Trans.	2 25 1	3256-23	Washer - Flat	3 42 12
105543	Hitch	2 4 1	3256-24	Washer - Flat	1 14 3
105821	Pin - Clevis	1 8 1	3256-41	Washer - Flat	2 14 2
105845	Tube Assembly	2 * 1	3257-5	Key - Woodruff	3 29 1
105874	Pulley - Idler	2 5 1	3272-4	Pin - Cotter	3 43 3
106007	Gear - Reduction	3 23 1	3272-11	Pin - Cotter	3 32 4
106009	Shaft - Tine	3 10 1	3296-29	Nut - Lock	1 1 4
106011	Washer - Special	3 12 2	3296-29	Nut - Lock	3 41 12
106531	Plate - Lift	1 2 1	3296-39	Nut - Lock	2 11 1
108144	Cable - Lift	1 15 1	3296-39	Nut - Lock	3 22 8
108145	Clevis - Short, 8-Speed &	1 16 1	3296-48	Nut - Lock	3 36 8
108315	Conduit - Hyd. Trans.	2 27 1	32120-33	Snap Ring	3 11 2
108485	Link - RH	1 20 1	32120-72	Snap Ring	3 28 1
108519	Bushing	1 9 2	32121-41	Pin - Spirol	3 9 2
108903	Clamp - Conduit	2 24 1	32146-2	Nut - Lock	2 7 10
110008	Support - Idler, Mid-Mount	2 23 1	32146-2	Nut - Lock	1 19 11

\*Not Illustrated