



Reelmaster[®] 3100-D With Sidewinder[®]

Model No. 03201 - 20000701 and up.

Parts Catalog

Ordering Replacement Parts

To order replacement parts, please supply the part number, the quantity, and the description of each part desired.

Understanding Reference Numbers

Each identified part in an illustration has a reference number. The reference number for a part also appears in the parts list, along with other information about the part.

This catalog uses two special reference number formats, one to indicate parts in a service assembly and another to indicate the quantity of a given part in an illustration.

Service Assembly Reference Numbers

Parts in service assemblies have reference numbers in the form a:b. The a represents the reference number of the entire service assembly and the b represents a sequential number unique to each part within the service assembly.

For example, a wheel assembly might be identified by reference number 6, the tire by 6:1, the valve by 6:2, and the wheel by 6:3. When you order the assembly identified by reference number 6, you receive all parts identified by reference numbers 6:1, 6:2, and 6:3. However, you may also order any part individually. Reference numbers of this type appear in illustrations and in part lists.

Reference Numbers Indicating Quantity

In an illustration, if a reference number indicates more than one part, the reference number has the form nX y. The n represents the quantity of the part, the X is the multiplication symbol, and the y represents the reference number.

For example, in an illustration, the reference number 2X 37 means that two of the parts identified by reference number 37 are indicated.

Contents

Description	Page	Description	Page
Frame Assembly 4	Reel Motor Assembly 38
Front Wheel And Brake Assembly 5	Gear Motor Assembly No. 99-3627 39
Hydraulic Motor Assembly No. 75-9990 6	Gear Motor Assembly No. 93-6975 40
Hydraulic Motor Assembly No. 95-8693 7	Battery Assembly 41
Brake Assembly No. 71-1500 8	Parking Brake Assembly 42
Steering Column Assembly 9	Lift Arm Kit Assembly 43
Steering Control Assembly No. 100-4909 10	Crankcase Assembly 44
Rear Fork And Tire Assembly 11	Oil Pan Assembly 45
Hydraulic Cylinder Assembly No. 94-8141 12	Cylinder Head Assembly 46
Hydraulic Motor Assembly No. 95-8694 13	Gear Case and Oil Filter Assembly 47
Control Panel Assembly 14	Head Cover Assembly 48
Front Platform Assembly 15	Dipstick and Guide Assembly 49
Traction Pedal Assembly 16	Main Bearing Case Assembly 50
Control Valve Assembly 17	Camshaft Assembly 51
Valve Assembly No. 95-8581 18	Piston and Crankshaft Assembly 52
Rear Liftarm Assembly 19	Flywheel Assembly 53
Hydraulic Cylinder Assembly No. 95-8978 21	Fuel Camshaft Assembly 54
Neutral Arm Assembly 22	Engine Stop Lever Assembly 55
Engine Assembly 23	Stop Solenoid and Fuel Pump Assembly 56
Air Cleaner And Muffler Assembly 24	Injection Pump Assembly 57
Radiator Assembly 25	Injection Pump Assembly (continued) 58
Hood Assembly 26	Governor Assembly 59
Fuel System 27	Speed Control Plate Assembly 60
Water / Fuel Filter Assembly No. 98-9305 28	Nozzle Holder and Glow Plug Assembly 61
Manifold Block Assembly 29	Nozzle Holder Assembly 62
Hydraulic Manifold Assembly No. 95-8675 30	Alternator and Pulley Assembly 63
Hydraulic Tank Assembly 31	Alternator Assembly 64
Hydrostat Assembly 32	Starter Mount Assembly 65
Piston Pump Assembly No. 104-0428 34	Starter Assembly 66
Gear Pump Assembly No. 95-8601 35	Water Flange and Thermostat Assembly 67
Carrier Assembly 36	Water Pump Assembly 68
Scissors Assembly 37	Valve and Rocker Arm Assembly 69
		Exhaust Manifold and Gasket Assembly 70

Part Description Abbreviations

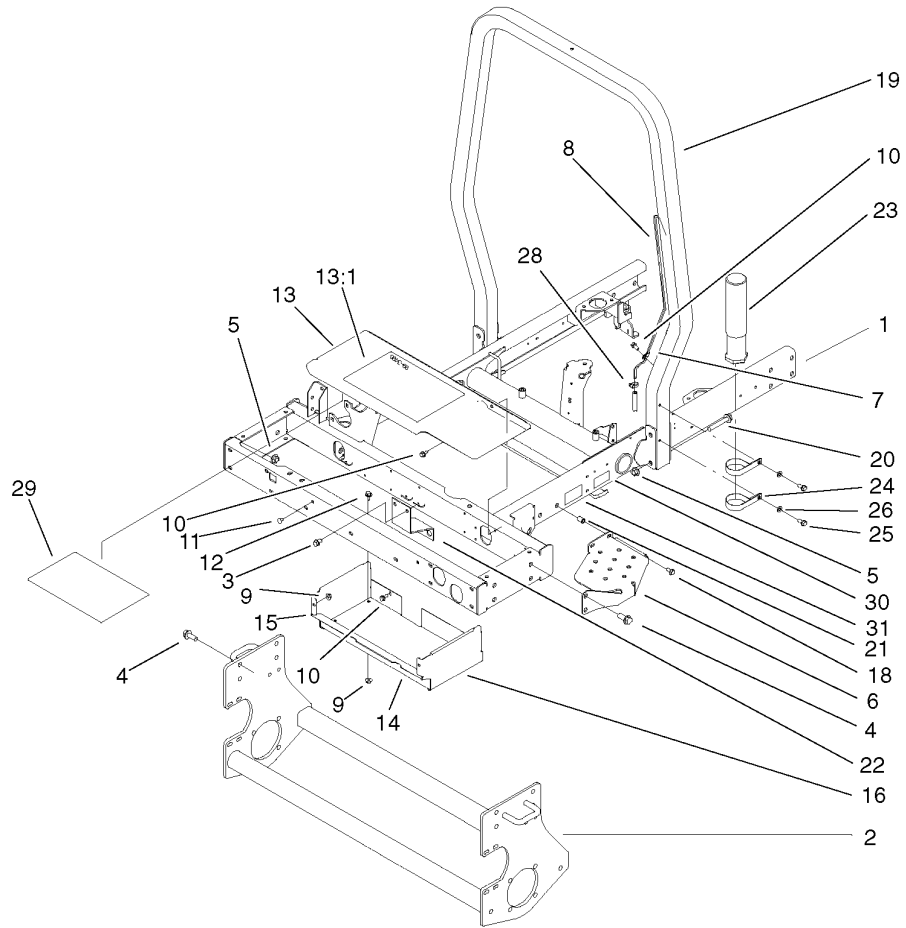
Part descriptions in this catalog may include the following abbreviations.

AR.	as required	HYD.	hydraulic
ASM.	assembly	LH.	left hand
BBC.	blade brake clutch	NI.	nylon insert
CARR.	carriage	NPTF.	national pipe thread fine
DEG.	degrees	PFH.	phillips flat head
EXT.	external	PPH.	phillips pan head
FH.	flat head	PPHTF.	phillips pan head thread forming
GA.	gauge	PRH.	phillips round head
HD.	heavy-duty	PTH.	phillips truss head
HF.	hex flange	PTO.	power-take-off
HH.	hex head	RH.	right hand
HHF.	hex head flange	ROPS.	roll-over protection system
HHFTF.	hex head flange thread forming	SFH.	slotted fillister head
HJ.	hex jam	SHH.	slotted hex head
HLH.	hex lag head	SHWH.	slotted hex washer head
HOC.	height-of-cut	SPH.	slotted pan head
HSBH.	hex socket button head	SQH.	square head
HSFH.	hex socket flat head	SRH.	slotted round head
HSH.	hex socket head	STD.	standard
HWH.	hex washer head	TAP.	self tapping
HWHTF.	hex washer head thread forming	TTH.	torx truss head

Footnotes

- ❶ Not serviced separately
- ❸ à Not Serviced

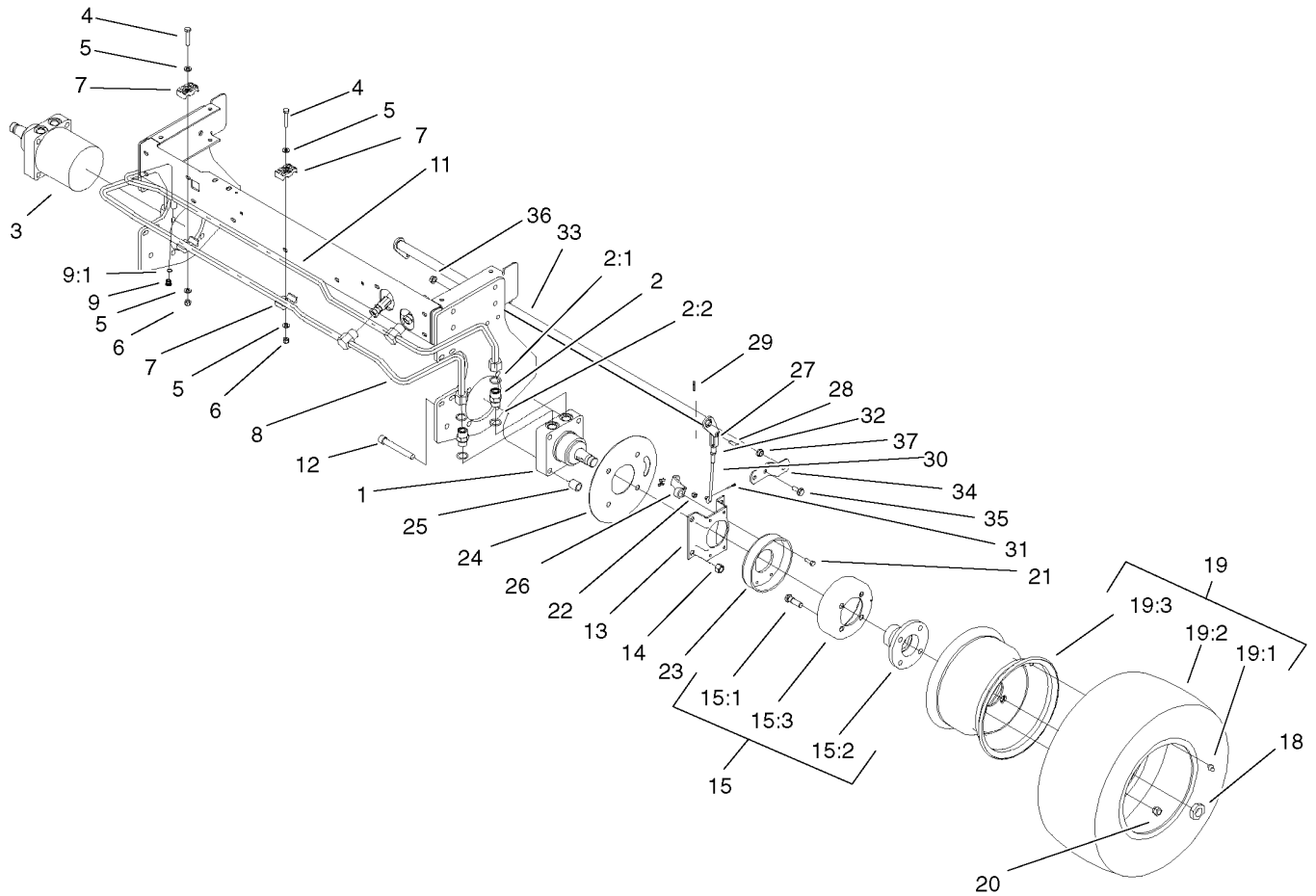
- ❷ * Not Illustrated
- ❹ * Not Illustrated.



Frame Assembly

Ref	Part No.	Qty.	Description
1	95-8590-03	1	Frame
2	95-8568-03	1	Frame-Lower
3	32144-15	2	Screw
4	3234-38	8	Screw-Hfh
5	32128-49	12	Nut-HHF
6	99-3375-03	1	Step
7	2412-72	3	Clip-Closed, Insulated
8	95-8615	1	Tube-Breather
9	32128-33	6	Nut-HF
10	32144-10	13	Screw-HWH
11	3229-10	2	Screw-CARR
12	3234-13	4	Screw-HHF
13	99-3504	1	Toolbox Cover ASM
13:1	99-3496	1	Decal
14	99-3430-03	1	Bottom-Toolbox
15	99-3431-03	1	End-Toolbox, RH
16	99-3432-03	1	End-Toolbox, LH
18	3234-5	2	Screw-HHF
19	99-3350-03	1	Tube-ROPS
20	3234-40	4	Screw-Hfh
21	32148-8	2	Insert-Threaded
22	95-8598-03	1	Bracket-Bulkhead, Scissor
23	74-0720	1	Tube-Manual
24	2412-133	2	R-Clamp

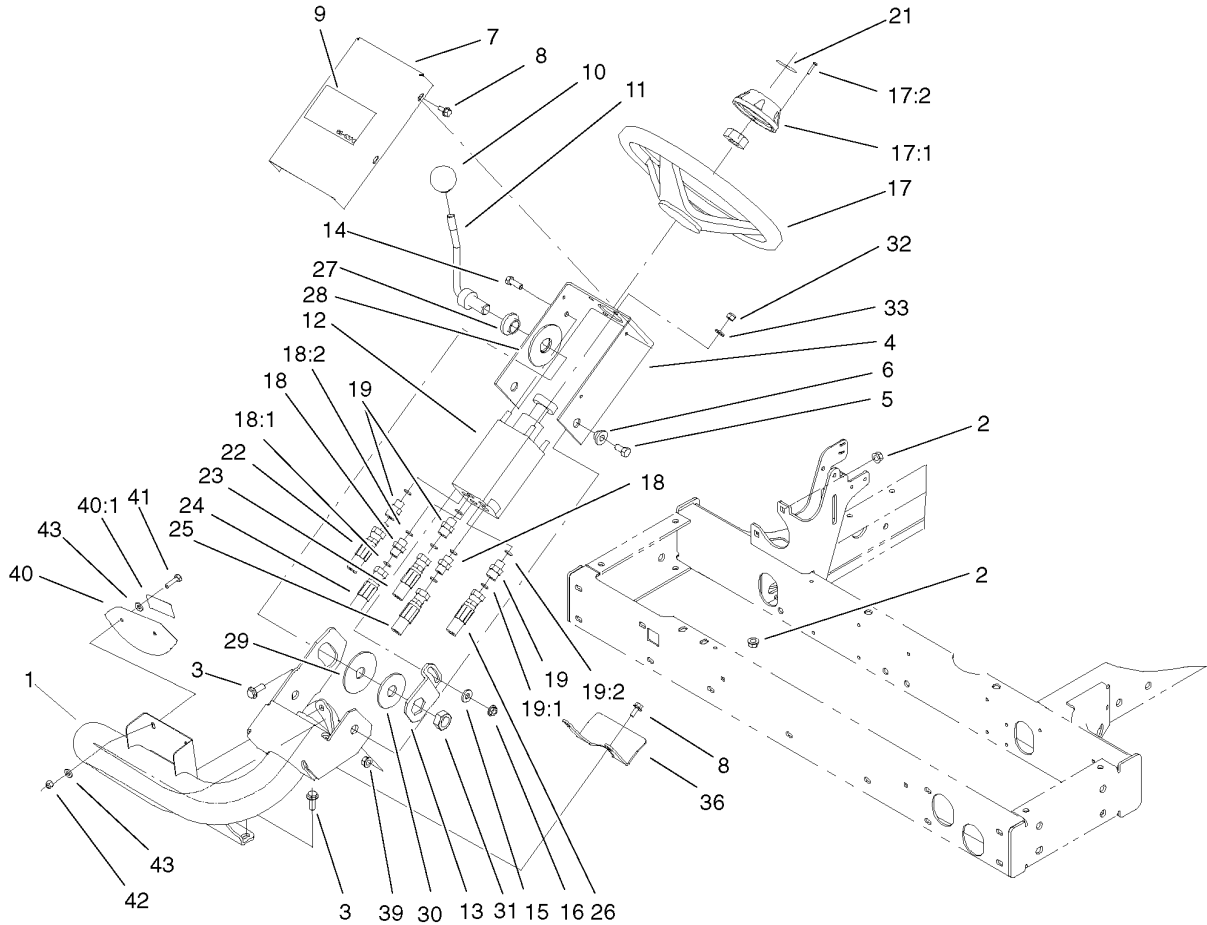
Ref	Part No.	Qty.	Description
25	32144-70	2	Screw-HH
26	3256-23	2	Washer-Flat
28	2412-108	1	Clamp-Worm
29	99-3494	1	Decal-Instructions, Service
30	63-9920	1	Decal-Level, Noise
31	85-6910	1	Decal-Rating, Noise
②*99	99-3503	1	Indicator-Angle



Front Wheel And Brake Assembly

Ref	Part No.	Qty.	Description
1	75-9990	1	Motor-Hydraulic
2	340-7	4	Adapter
2:1	237-65	1	O-Ring
2:2	237-80	1	O-Ring
3	95-8693	1	Motor-Hydraulic
4	322-9	2	Screw-HH
5	3256-23	4	Washer-Flat
6	3296-29	2	Nut-Lock, NI
7	56-7971	4	Clamp-Tube
8	95-8783	1	Tube ASM
9	353-990	1	Plug
9:1	237-78	1	O-Ring
11	95-8784	1	Tube ASM
12	3274-99	8	Screw-HSH
13	84-2000-03	2	Bracket-Brake
14	3296-23	8	Nut-Lock, NI
15		2	Wheel Hub ASM
15:1	85-6540	4	Stud-Drive
15:2	93-6838-03	1	Hub-Wheel
15:3	10-6850	1	Drum-Brake
18	26-3790	2	Nut-Lock
19		2	Tire & Wheel ASM
19:1	232-27	1	Stem-Valve
19:2	95-8656	1	Tire

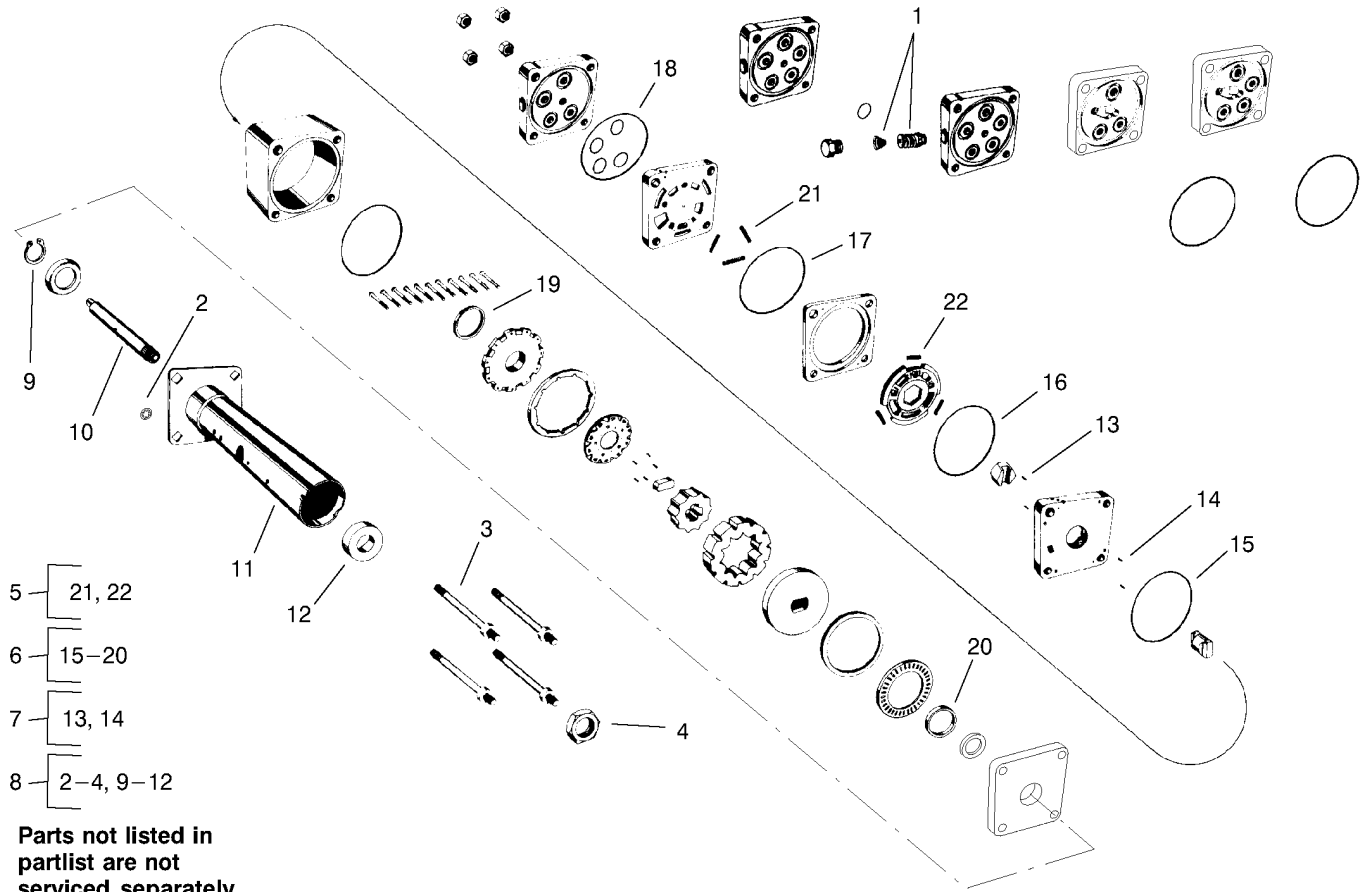
Ref	Part No.	Qty.	Description
19:3	99-3474	1	Rim-Wheel
20	242-50	8	Nut-Lug
21	321-5	8	Screw-HH
22	3296-42	8	Nut-Lock
23	71-1500	2	Brake ASM
24	95-8818-03	2	Shield-Wheel
25	92-1715	8	Spacer
26	93-6850	2	Lever-Brake
27	282-2	2	Yoke
28	283-1	2	Pin-Yoke
29	3272-10	2	Pin-Cotter
30	95-5824	2	Rod-Adjustment
31	3272-6	2	Pin-Cotter
32	3220-2	2	Nut-Jam
33	95-8685-03	1	Shaft-Pivot, Brake
34	95-8683	2	Bracket-Pivot, Brake
35	3234-11	4	Screw-HHF
36	32128-43	4	Nut-Flange
37	256-156	2	Bushing-Flange



Steering Column Assembly

Ref	Part No.	Qty.	Description
1	100-4896-01	1	Arm-Steering
2	32128-43	4	Nut-Flange
3	3234-11	4	Screw-HHF
4	95-8793-01	1	Bracket-Valve,Steering
5	323-5	2	Screw-HH
6	93-5988	2	Hub-Pivot
7	95-8794-01	1	Cover-Valve, Steering
8	32144-10	5	Screw-HWH
9	67-1300	1	Decal-Toro
10	233-48	1	Knob
11	95-8798-03	1	Lever-Steering
12	100-4909	1	Control-Steering
13	80-2880	1	Bracket-Tilt
14	322-5	1	Screw-HH
15	3256-3	1	Washer-Flat
16	32128-44	1	Nut
17	68-5130	1	Wheel-Steering
17:1	68-5140	1	Cap-Wheel, Steering
17:2	32144-21	1	Screw
18	340-1	2	Adapter
18:1	237-35	1	O-Ring
18:2	237-42	1	O-Ring
19	340-2	3	Adapter
19:1	237-22	1	O-Ring

Ref	Part No.	Qty.	Description
19:2	237-42	1	O-Ring
21	68-5370	1	Decal-Toro
22	95-8842	1	Hose ASM
23	95-8843	1	Hose ASM
24	95-8844	1	Hose ASM
25	95-8845	1	Hose ASM
26	95-8846	1	Hose ASM
27	99-3502	1	Boss
28	31-0390	1	Disc-Friction
29	82-9010	1	Disc-Friction
30	80-2930	1	Washer-Flat
31	3218-7	1	Nut-Jam
32	3296-4	4	Nut-Lock, NI
33	3256-23	4	Washer-Flat
36	99-3405-01	1	Shield-Steering
39	32128-21	2	Nut-HF
40	100-4929	1	Slope Indicator ASM
40:1	100-4837	1	Decal-Danger
40:1	100-4933	1	Decal-Danger, Ce
41	321-6	2	Screw-HH
42	3296-42	2	Nut-Lock
43	3256-22	4	Washer-Flat
Ⓜ*99	3290-378	2	Tie-Cable



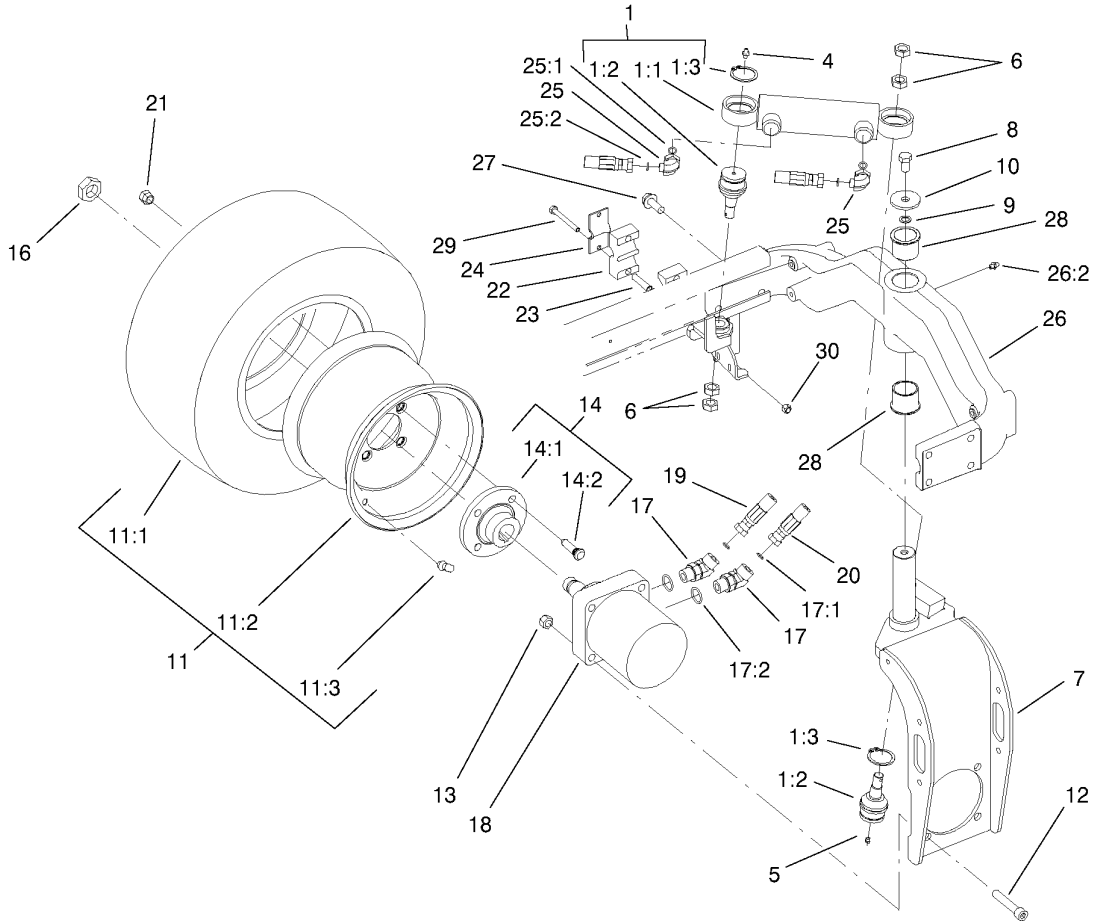
- 5 — 21, 22
- 6 — 15-20
- 7 — 13, 14
- 8 — 2-4, 9-12

Parts not listed in partlist are not serviced separately.

Steering Control Assembly No. 100-4909

Ref	Part No.	Qty.	Description
1	99-3523	1	Cartridge-Valve, Relief
2	92-7316	4	Nut-On, Push
3	99-3524	4	Bolt-Special
4	47-6990	1	Nut
5	66-9970	1	Kit-Spring
6	66-9980	1	Kit-Seal
7	66-9990	1	Kit-Roller, Needle
8	100-4910	1	Column ASM

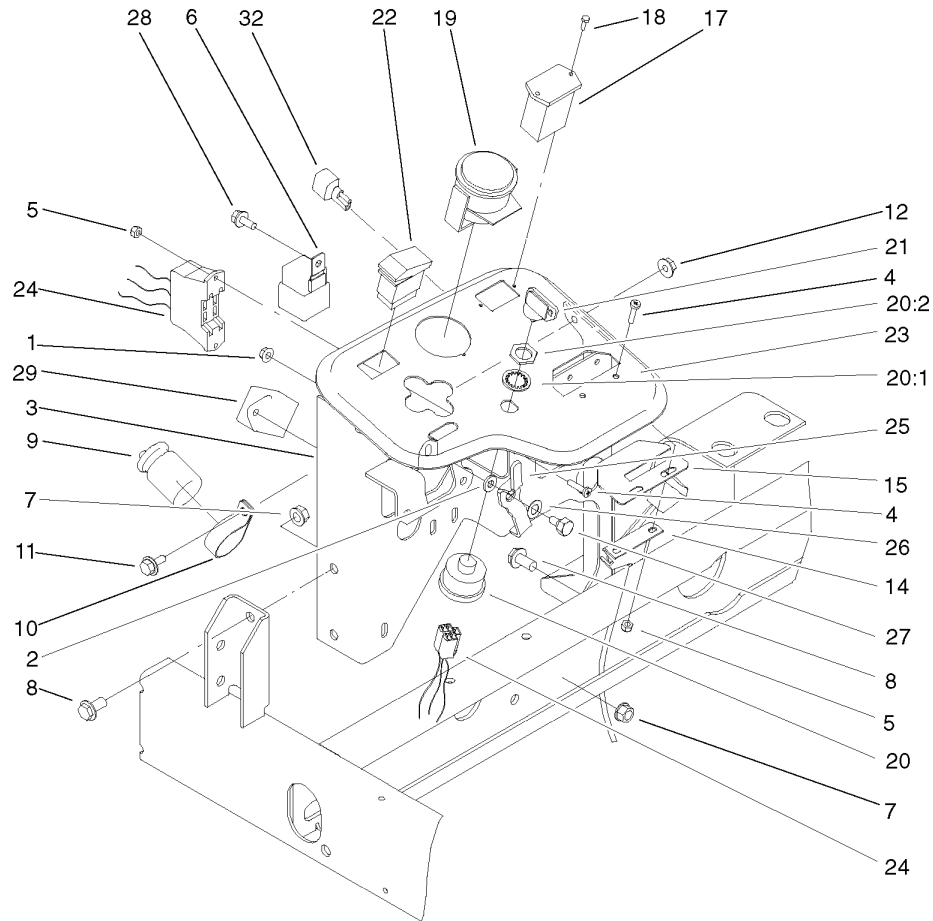
--	--	--	--



Rear Fork And Tire Assembly

Ref	Part No.	Qty.	Description
1		1	Strg. Cly./Balljnt.ASM
1:1	94-8141	1	Hydraulic Cylinderasm
1:2	92-5838	2	Joint-Ball
1:3	32151-104	2	Ring-Retaining, EXT
4	302-5	1	Fitting-Lube
5	302-59	1	Plug-Threaded
6	3220-6	4	Nut-Jam
7	95-8905-01	1	Fork-Rear
8	325-3	1	Screw-HH
9	3255-2	1	Washer-Lock/EXT
10	75-7730	1	Washer-Thrust
11		1	Tire & Wheel ASM
11:1	95-8656	1	Tire
11:2	95-8657	1	Rim-Wheel
11:3	232-27	1	Stem-Valve
12	3274-93	4	Screw-HSH
13	3296-23	4	Nut-Lock, NI
14		1	Wheel Hub / Studasm
14:1	10-6870-03	1	Hub-Wheel
14:2	10-6830	4	Stud-Type, Drive
16	26-3790	1	Nut-Lock
17	340-14	2	Fitting-HYD., 45Ø
17:1	237-65	1	O-Ring
17:2	237-80	1	O-Ring

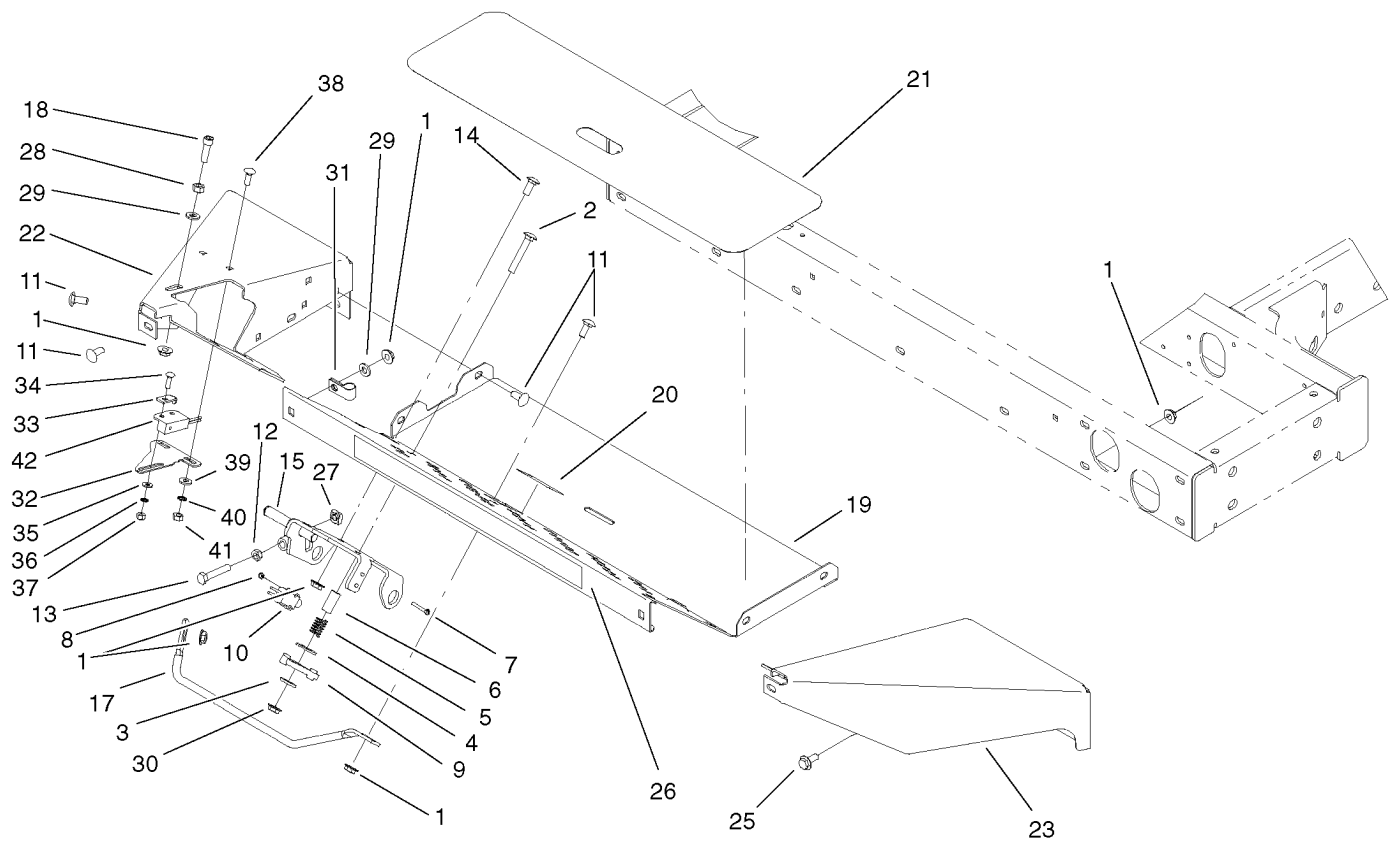
Ref	Part No.	Qty.	Description
18	95-8694	1	Motor-Hydraulic
19	95-8832	1	Hose ASM
20	95-8833	1	Hose ASM
21	242-50	4	Nut-Lug
22	82-8170	2	Clamp
23	93-7960	2	Spacer
24	93-7961	1	Clamp-Drain, Case
25	340-132	2	Elbow-90Ø
25:1	237-78	1	O-Ring
25:2	237-21	1	O-Ring
26	18-3979-03	1	Rear Casting ASM
26:2	302-5	1	Fitting-Lube
27	3234-38	8	Screw-Hfh
28	95-8805	2	Bushing
29	322-13	2	Screw-HH
30	3296-29	2	Nut-Lock, NI
*99	3290-378	6	Tie-Cable



Control Panel Assembly

Ref	Part No.	Qty.	Description
1	32128-32	1	Nut-HHF
2	3256-22	1	Washer-Flat
3	95-8712-03	1	Panel-Control
4	3250-27	4	Screw-PPH
5	3296-2	4	Nut-Lock
6	70-1480	4	Relay
7	32128-43	5	Nut-Flange
8	3234-1	5	Screw-HHF
9	37-2690	1	Capacitor
10	2412-74	1	Clamp
11	3234-4	1	Screw-HHF
12	32128-33	1	Nut-HF
14	95-8855	1	Control-Throttle
15	104-0421	1	Plate-Stop, Throttle
17	75-6820	1	Hourmeter
18	32144-18	2	Screw-HH
19	93-7053	1	Cluster-Lamp,Warning
●*19:1	219-17	4	Bulb
●*19:2	3254-1	1	Washer-Lock/Int
●*19:3	3217-26	1	Nut-Hex
20	88-9830	1	Switch-Ignition
20:1	3254-5	1	Washer-Lock/Internal
20:2	218-461	1	Nut-HH
21	63-8360	2	Key-Ignition

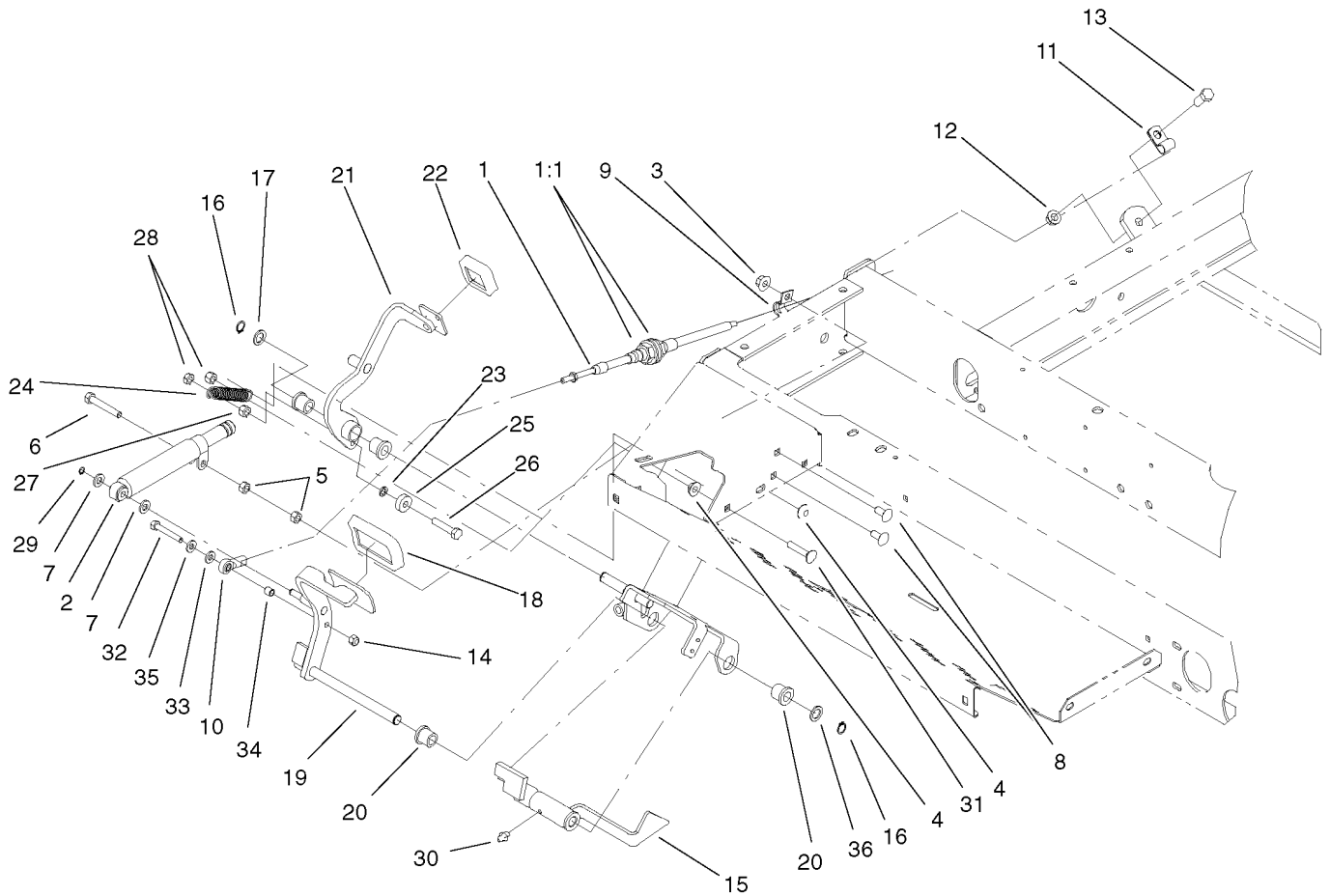
Ref	Part No.	Qty.	Description
22	95-8999	1	Switch
23	99-3443	1	Decal
24	100-4823	1	Harness-Wire
25	99-3401-03	1	Lever-Valve, Lock
26	3290-477	1	Washer-Curved
27	63-3410	1	Screw-Shoulder
28	32144-10	5	Screw-HWH
29	98-7611	1	Controller-Glow
32	100-4918	4	Diode
●*99	3290-378	2	Tie-Cable
●*99	3290-379	4	Tie-Cable



Front Platform Assembly

Ref	Part No.	Qty.	Description
1	32128-44	22	Nut
2	3230-6	1	Screw-CARR
3	3256-3	1	Washer-Flat
4	3256-40	1	Washer-Flat
5	65-9940	1	Spring
6	95-8866	1	Tube-Arm, Rocker
7	32105-9	2	Screw
8	3296-9	2	Nut-Lock NI
9	99-3593	1	Arm-Rocker
10	95-8900	1	Switch
11	3230-1	9	Screw-CARR
12	3218-2	1	Nut-Jam
13	322-41	1	Screw-HH
14	3230-23	2	Screw-CARR
15	95-8869-03	1	Bracket-Pedal, Traction
17	95-8893	1	Bar-Deflector
18	3274-22	1	Screw-HSH
19	95-8610-01	1	Plate-Floor
20	99-3444	1	Decal-Mow/Transport
21	99-3478	1	Tread-Foot
22	100-4884-01	1	Support-Floor, RH
23	95-8612-01	1	Bracket-Floor Plate, LH
25	3234-5	10	Screw-HHF
26	99-3388	1	Decal-Sidewinder

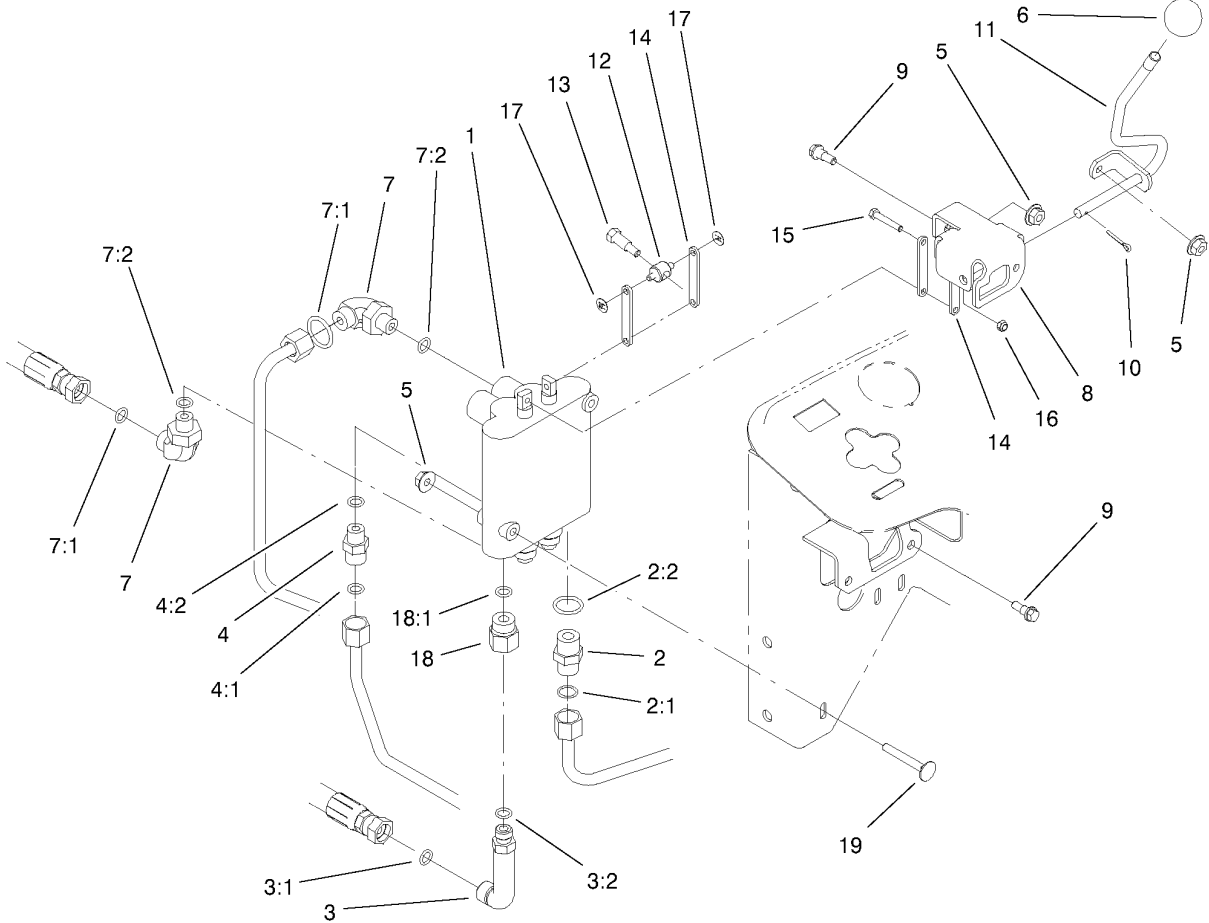
Ref	Part No.	Qty.	Description
27	99-3565	1	Nut-Square
28	3217-6	1	Nut-Hex
29	3256-23	2	Washer-Flat
30	3296-29	1	Nut-Lock, NI
31	2412-103	1	Clamp
32	100-4871	1	Bracket-Switch, Neutral
33	100-4872	1	Plate-Switch, Neutral
34	3229-20	1	Screw-CARR
35	3256-14	1	Washer-Flat
36	3255-17	1	Washer-Lock/EXT
37	3296-2	1	Nut-Lock
38	3229-1	2	Screw-CARR
39	3256-22	2	Washer-Flat
40	3255-7	2	Washer-Lock/EXT
41	3217-5	2	Nut-Hex
42	100-1270	1	Switch-Proximity
②*99	3290-379	1	Tie-Cable



Traction Pedal Assembly

Ref	Part No.	Qty.	Description
1	93-2099	1	Cable-Control, Traction
1:1	3220-1	2	Nut-Jam
2	76-8870	1	Lever Damper ASM
3	32128-20	2	Nut-HF
4	32128-44	2	Nut
5	3217-6	2	Nut-Hex
6	322-10	1	Screw-HH
7	3256-23	2	Washer-Flat
8	3230-1	2	Screw-CARR
9	93-2092	1	Clamp-Cable
10	2411-41	1	Joint-Ball, Superior
11	2412-10	1	R-Clamp
12	32128-43	1	Nut-Flange
13	323-6	1	Screw-HH
14	3296-42	1	Nut-Lock
15	95-8861	1	Slide
16	32151-84	2	Ring-Shaft, EXT
17	41-8440	1	Washer
18	74-9100	1	Pad-Pedal, Forward
19	100-4875-03	1	Traction Pedal ASM
20	256-243	2	Bearing-Flange
21	99-3379	1	Pedal-Reverse
22	74-9110	1	Pad-Pedal, Reverse
23	75-5470	1	Spacer-Bearing

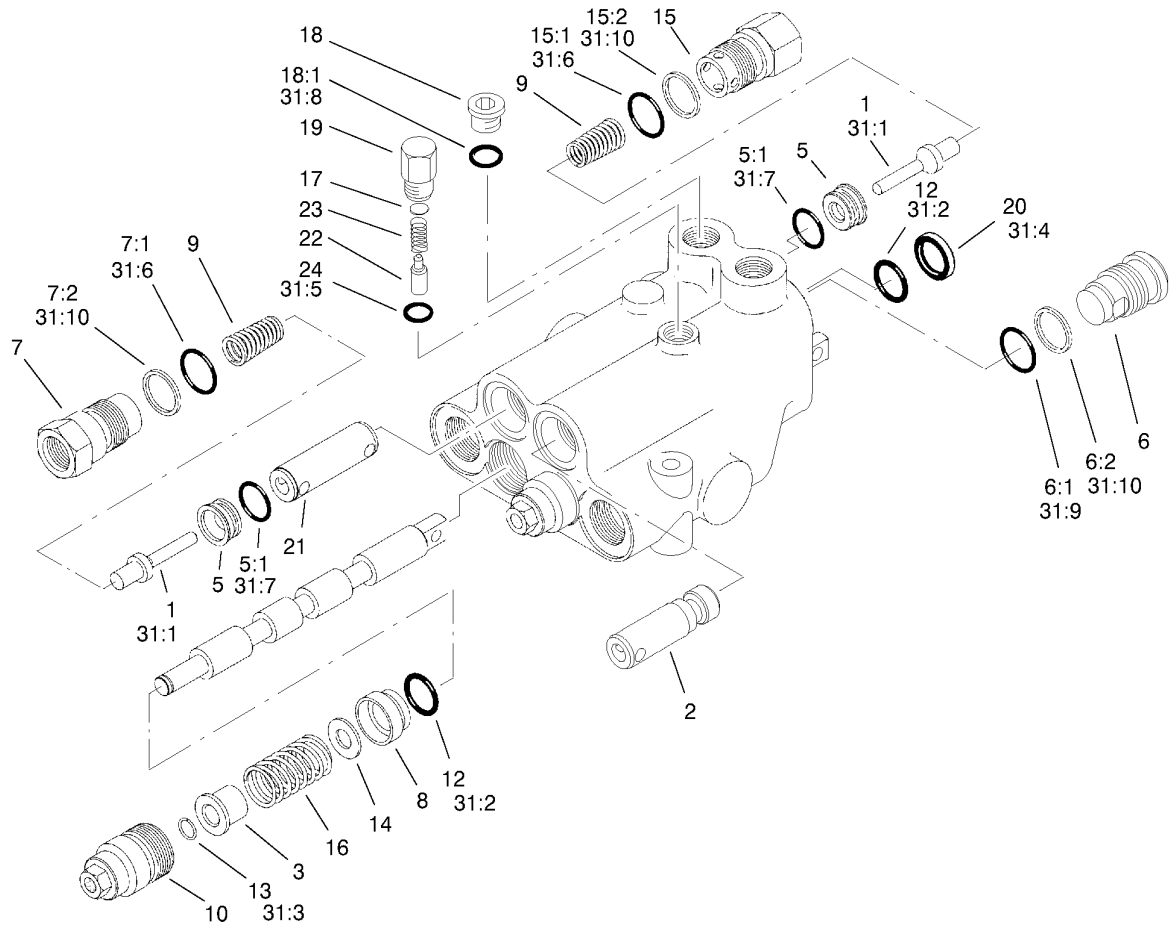
Ref	Part No.	Qty.	Description
24	99-3476	1	Spring-Extension
25	251-259	1	Bearing
26	322-7	1	Screw-HH
27	3296-29	1	Nut-Lock, NI
28	3296-47	2	Nut-Lock, NI
29	32151-3	1	Ring-Grip, Ex
30	302-5	1	Fitting-Lube
31	3230-27	1	Screw-CARR
32	321-9	1	Screw-HH
33	33093-00	1	Washer-Flat
34	99-3545	1	Spacer
35	3256-22	1	Washer-Flat
36	73-0040	4	Washer-Thrust



Control Valve Assembly

Ref	Part No.	Qty.	Description
1	95-8581	1	Valve-2 Spool
2	340-3	1	Adapter
2:1	237-22	1	O-Ring
2:2	237-79	1	O-Ring
3	69-4320	1	Fitting-90Ø
3:1	237-22	1	O-Ring
3:2	237-42	1	O-Ring
4	340-2	1	Adapter
4:1	237-22	1	O-Ring
4:2	237-42	1	O-Ring
5	32128-33	5	Nut-HF
6	233-42	1	Knob
7	340-77	2	Fitting-HYD., 90Ø
7:1	237-22	1	O-Ring
7:2	237-42	1	O-Ring
8	95-8633	1	Bracket-Valve,Actuator
9	42-3560	2	Bolt-Shoulder
10	3272-6	1	Pin-Cotter
11	95-8635	1	Lever-Valve
12	95-8638	1	Trunnion-Valve,Actuator
13	92-8916	1	Bolt-Shoulder
14	95-8634	4	Link
15	87-5150	3	Bolt
16	87-5140	3	Nut-Lock

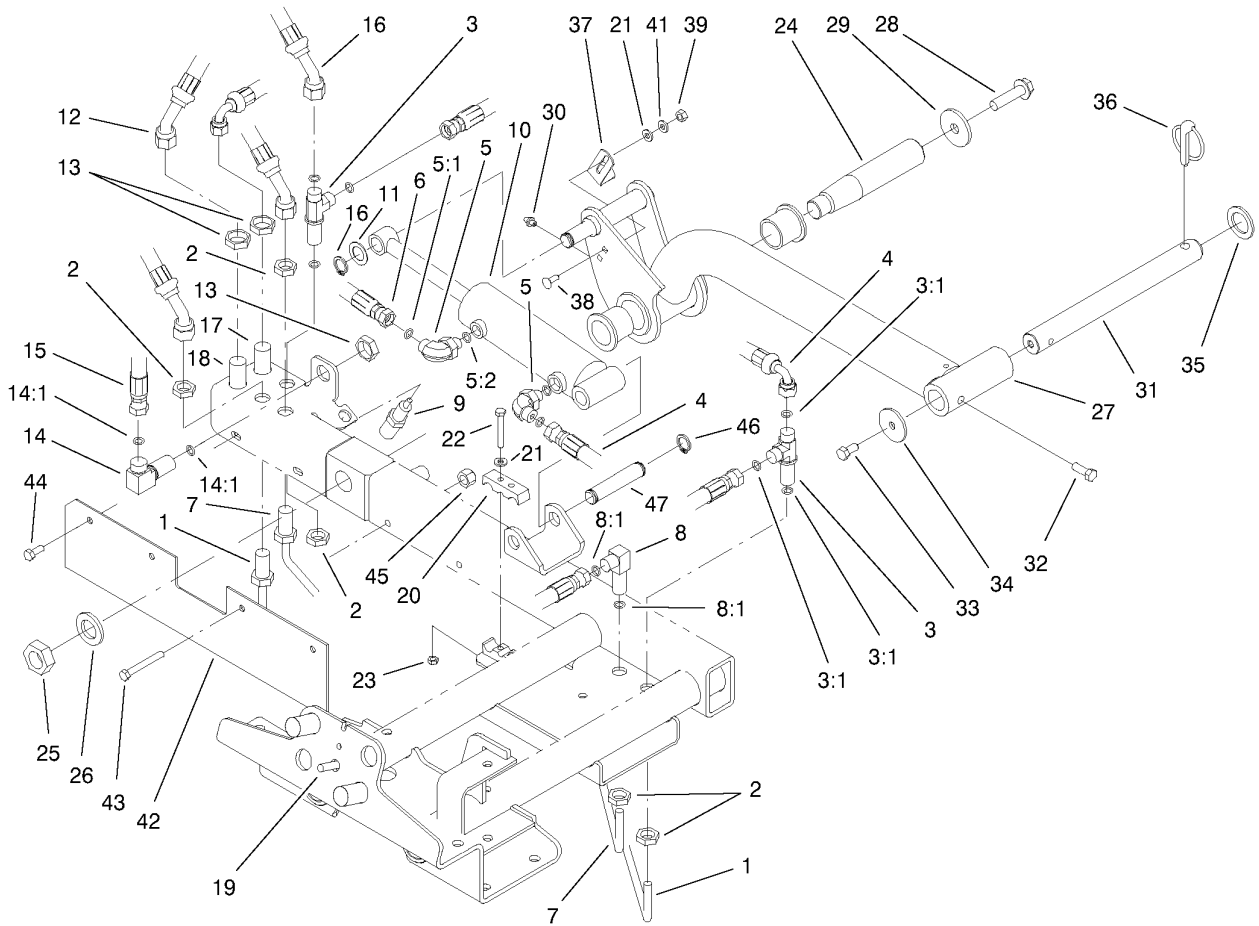
Ref	Part No.	Qty.	Description
17	93-3988	2	Pushnut-Tinnerman
18	353-397	1	Reducer-Adapter
18:1	237-79	1	O-Ring
19	3230-33	2	Screw-CARR



Valve Assembly No. 95-8581

Ref	Part No.	Qty.	Description
1	58-6290	3	Poppet
2	69-1840	1	Plunger
3	58-6310	2	Spacer
5	58-6330	3	Seat
5:1	58-6340	1	O-Ring
6	58-6350	1	Plug
6:1	60-5720	1	Ring
6:2	59-7730	1	Washer-Backup
7	99-3527	2	Plug ASM
7:1	60-5720	1	Ring
7:2	59-7730	1	Washer-Backup
8	58-6400	2	Bushing
9	69-1810	3	Spring
10	58-6420	2	Cap
12	58-6450	4	O-Ring
13	58-6460	2	Ring
14	65-2770	2	Washer
15	99-3526	1	Plug ASM
15:1	60-5720	1	Ring
15:2	59-7730	1	Washer-Backup
16	99-3531	2	Spring
17	60-6450	1	Disc
18	353-989	1	Plug-Hex, Hollow
18:1	237-42	1	O-Ring

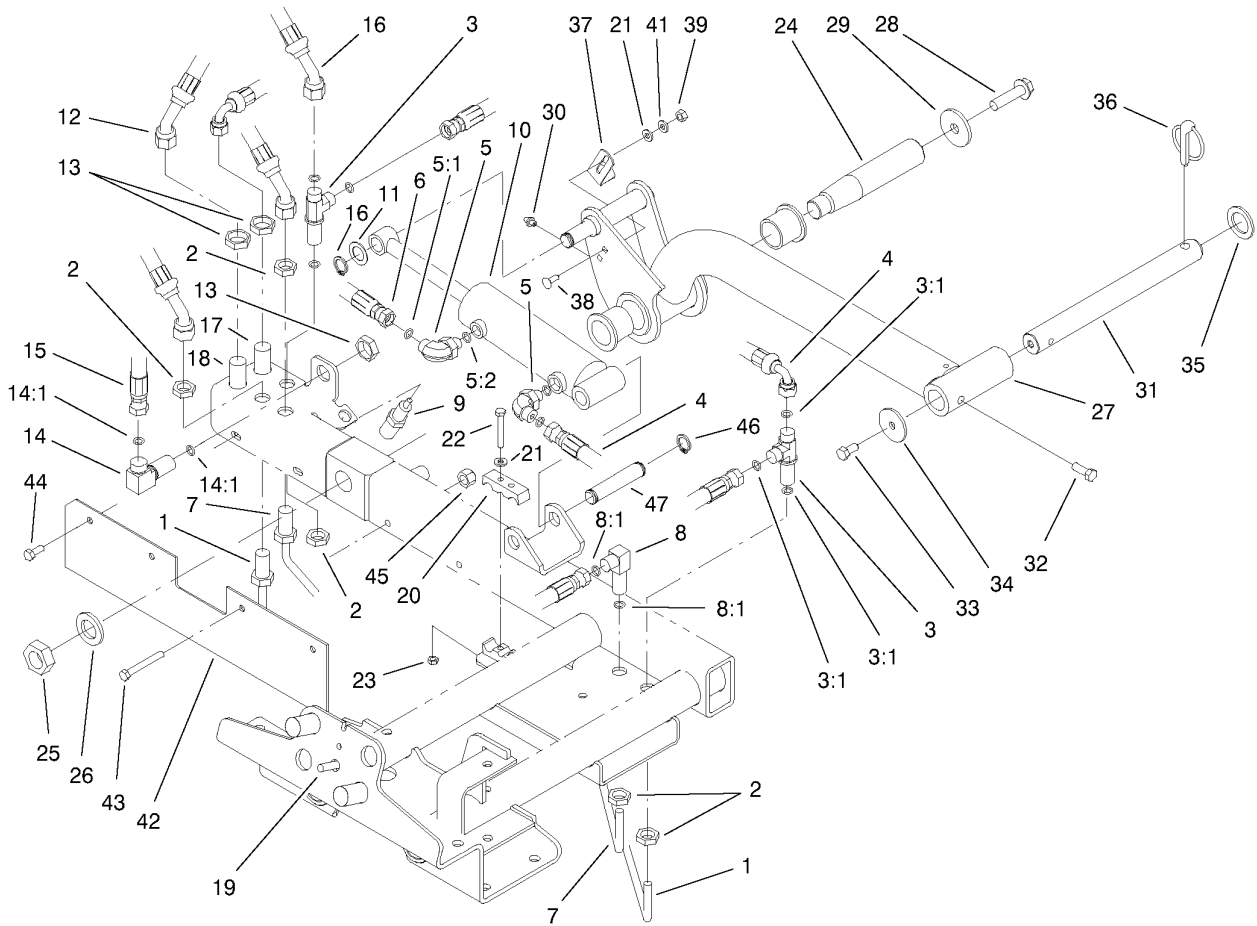
Ref	Part No.	Qty.	Description
19	58-6780	1	Plug
20	58-6320	2	Wiper
21	99-3528	1	Plunger
22	58-6770	1	Plunger
23	58-6760	1	Spring
24	58-6790	1	O-Ring
31	99-3530	1	Kit-Seal
31:1	58-6290	3	Poppet
31:2	58-6450	4	O-Ring
31:3	58-6460	2	Ring
31:4	58-6320	2	Wiper
31:5	58-6790	1	O-Ring
31:6	60-5720	2	Ring
31:7	58-6340	2	O-Ring
31:8	237-42	1	O-Ring
31:9	60-5720	2	Ring
31:10	59-7730	2	Washer-Backup



Rear Liftarm Assembly

Ref	Part No.	Qty.	Description
1	95-8984	1	Tube ASM
2	340-70	5	Locknut-Bulkhead
3	340-68	2	Fitting-Tee, Bulkhead
3:1	237-22	6	O-Ring
4	95-8831	1	Hose ASM
5	340-77	2	Fitting-HYD., 90°
5:1	237-22	1	O-Ring
5:2	237-42	1	O-Ring
6	95-8823	1	Hose ASM
7	95-8983	1	Tube ASM
8	340-154	1	Union-Bulkhead
8:1	237-22	2	O-Ring
9	93-6762	1	Switch-Ball
10	95-8978	1	Cylinder-Hydraulic
11	3-6498	1	Washer-Thrust
12	95-8820	1	Hose ASM
13	340-127	3	Nut-Bulkhead
14	93-9151	1	Fitting-Hydraulic
14:1	237-30	2	O-Ring
15	95-8824	1	Hose ASM
16	95-8825	1	Hose ASM
17	95-8980	1	Tube ASM
18	95-8981	1	Tube ASM
19	95-8982	1	Tube ASM

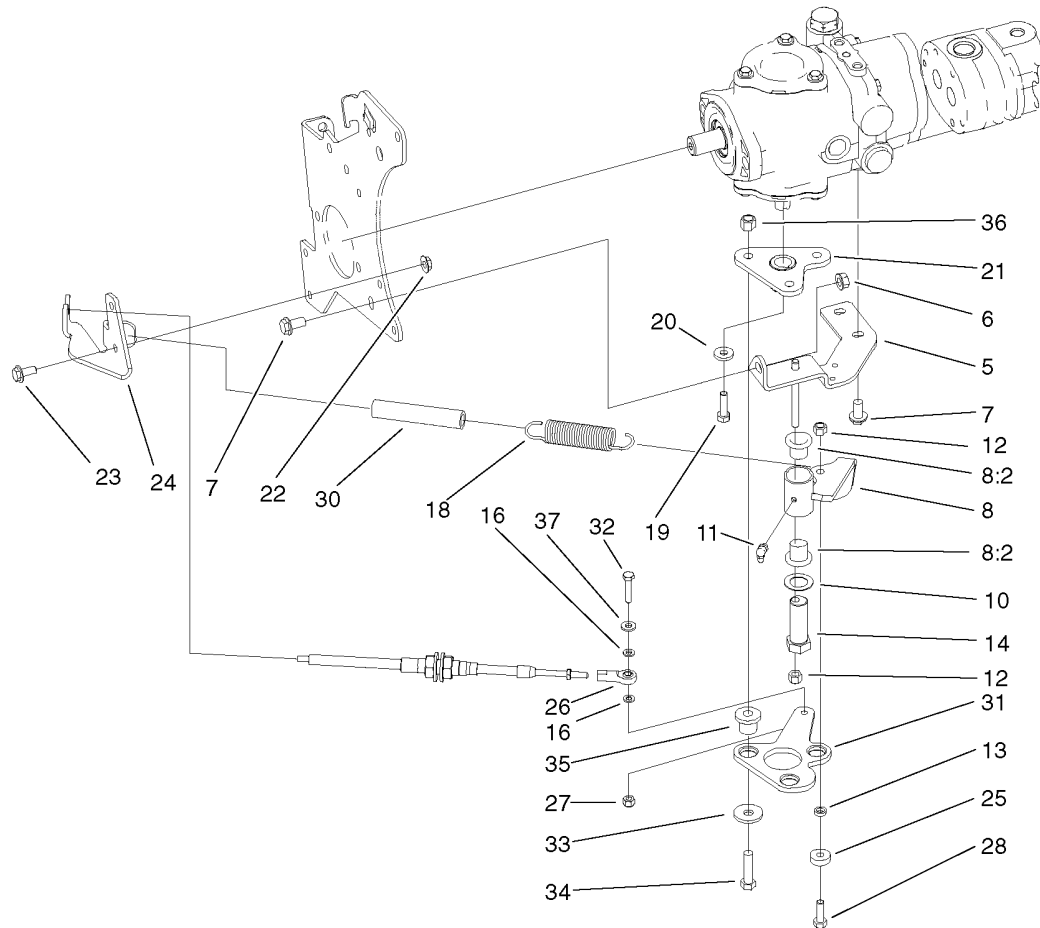
Ref	Part No.	Qty.	Description
20	93-2509	2	Clamp-Tube
21	3256-22	6	Washer-Flat
22	321-11	2	Screw-HH
23	3296-42	2	Nut-Lock
24	95-8990	1	Shaft-Pivot, Rear
25	3220-9	1	Nut-Jam
26	86-1480	1	Washer
27	95-8985	1	Rear Lift Arm ASM
28	3234-27	1	Screw-Flange
29	75-7730	1	Washer-Thrust
30	302-5	1	Fitting-Lube
31	95-8979	1	Shaft-C.U., Pivot
32	323-6	1	Screw-HH
33	323-4	1	Screw-HH
34	63-7400	1	Washer-Rebound
35	3-6781	1	Washer-Thrust
36	283-71	1	Pin-Lynch
37	95-8613	1	Bracket-Switch
38	3229-1	2	Screw-CARR
39	3217-5	2	Nut-Hex
41	3253-3	2	Washer-Lock/Sp
42	95-8591-03	1	Guard
43	322-12	2	Screw-HH
44	322-3	2	Screw-HH



Rear Liftarm Assembly (continued)

Ref	Part No.	Qty.	Description
45	3296-29	4	Nut-Lock, NI
46	32120-93	3	Ring-Retaining
47	95-8575	1	Pin
②*99	3290-379	1	Tie-Cable

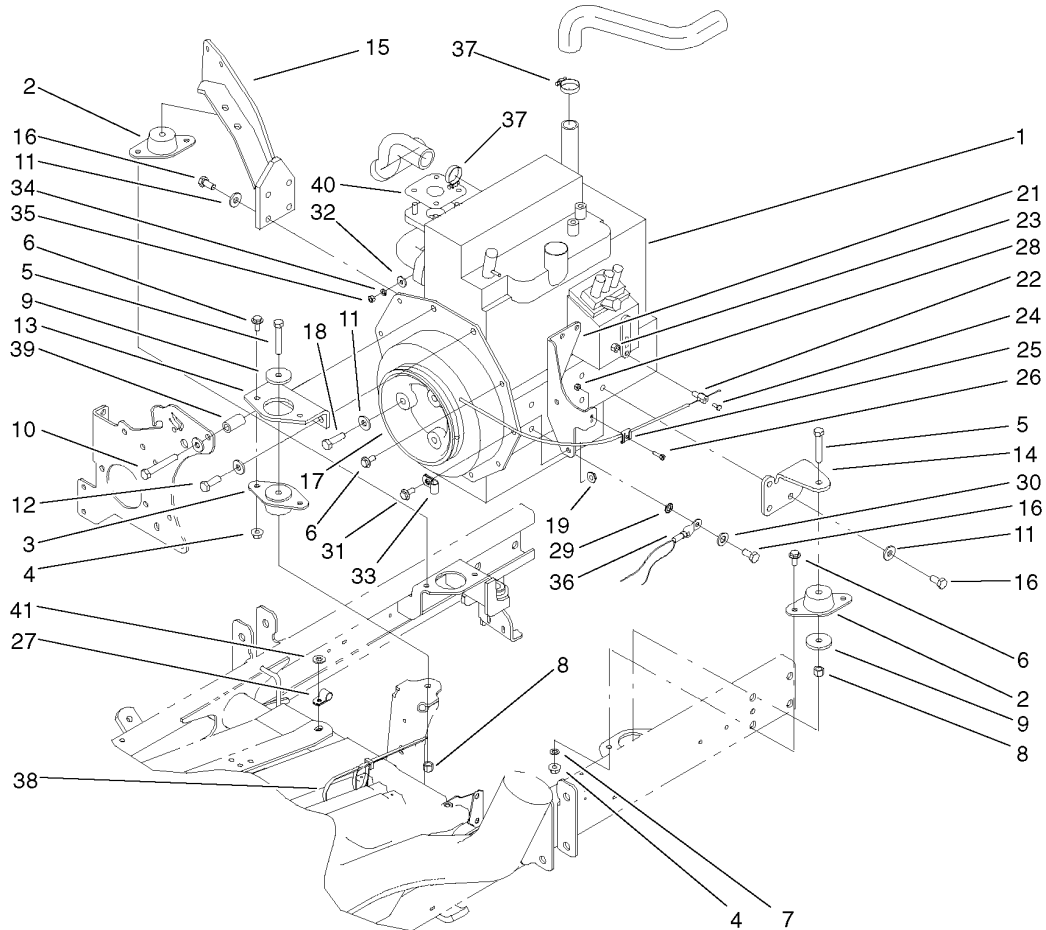
Ref	Part No.	Qty.	Description



Neutral Arm Assembly

Ref	Part No.	Qty.	Description
5	95-8960-03	1	Bracket-Neutral
6	32128-43	1	Nut-Flange
7	3234-1	3	Screw-HHF
8	104-0422	1	Neutral Arm ASM
8:2	256-113	2	Bushing-Flange
10	3-6498	1	Washer-Thrust
11	302-60	1	Fitting-Lube
12	3296-29	2	Nut-Lock, NI
13	100-4817	1	Spacer-Bearing
14	76-8640	1	Stud-Traction
16	33093-00	2	Washer-Flat
18	94-1369	1	Spring-Extension
19	3210-6	1	Screw-HH
20	88-7200	1	Washer-Flat
21	99-3598-03	1	Hub ASM
22	32128-44	2	Nut
23	3234-5	2	Screw-HHF
24	99-3553-03	1	Bracket-Support,Cable
25	251-259	1	Bearing
26	2411-41	1	Joint-Ball, Superior
27	3296-42	1	Nut-Lock
28	3274-104	1	Screw-HSBH
30	99-3556	1	Hose
31	99-3594-03	1	Lever-Pump

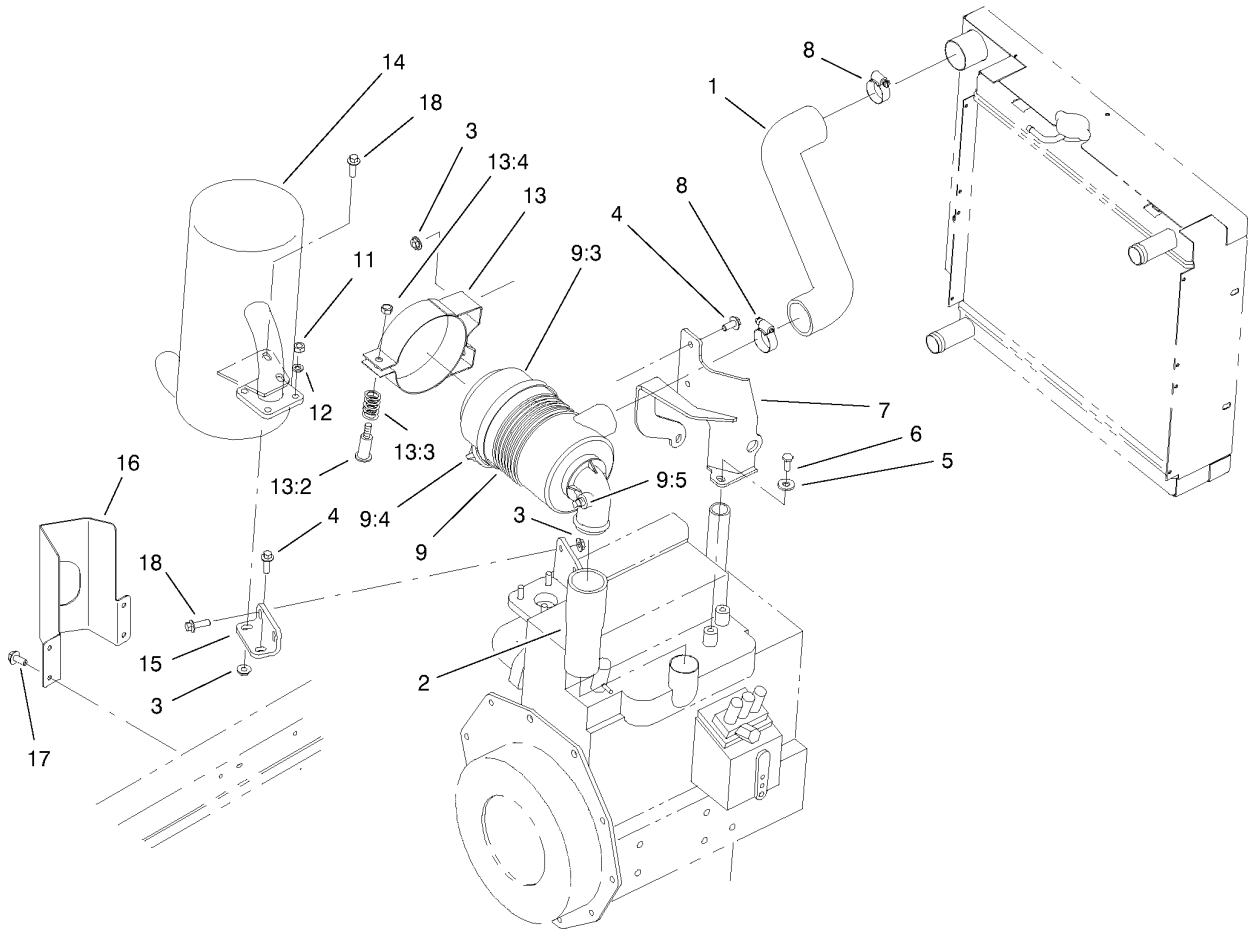
Ref	Part No.	Qty.	Description
32	321-8	1	Screw-HH
33	2844	3	Washer
34	95-3857	3	Screw-Head, Button
35	63-9750	3	Mount
36	3296-39	3	Nut-Lock, NI
37	3256-22	1	Washer-Flat



Engine Assembly

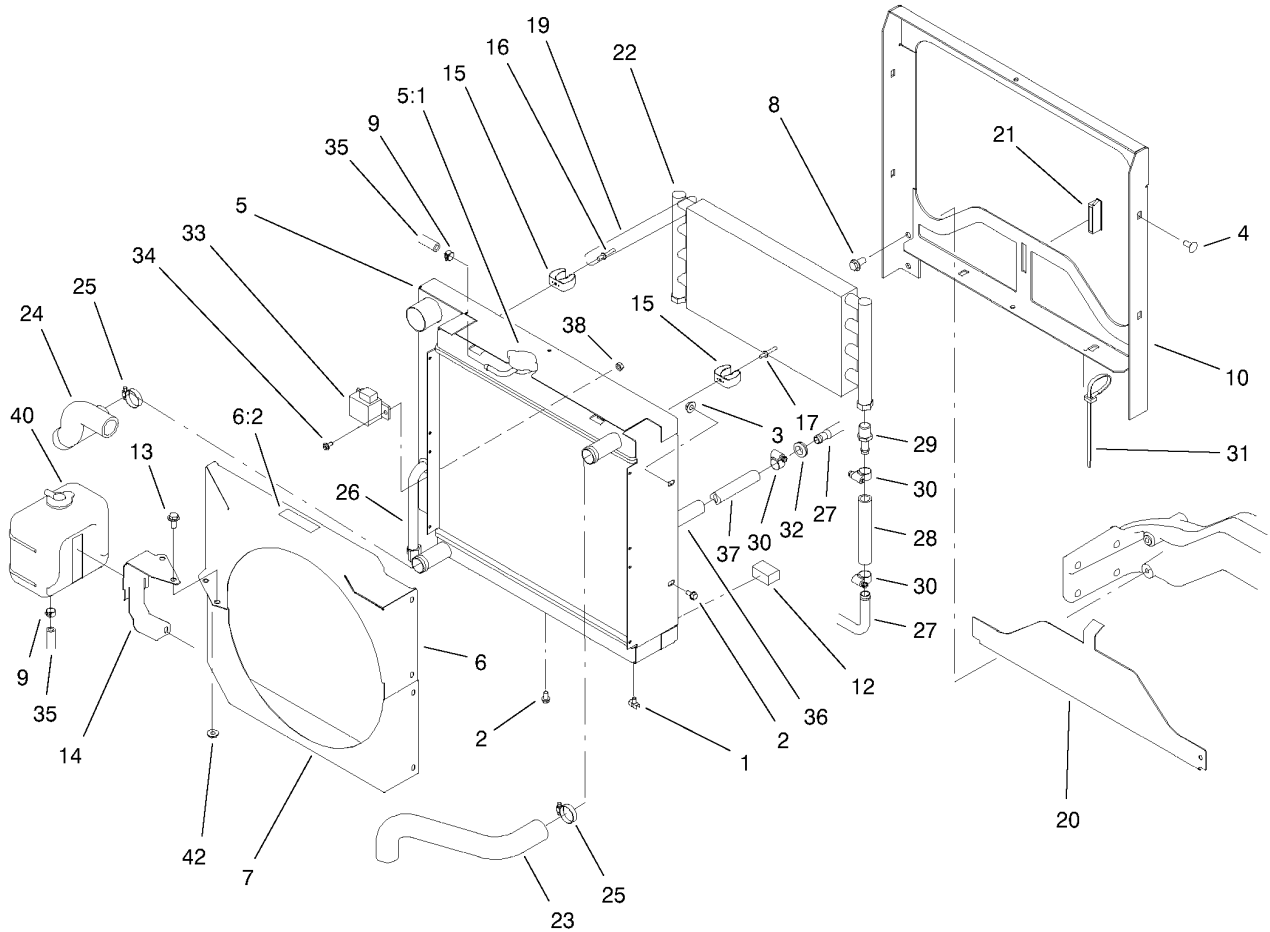
Ref	Part No.	Qty.	Description
1	95-8912	1	Engine-Kubota,D1105-Eb-Toro-2-S1
2	83-1030	2	Mount-Engine
3	93-5265	1	Mount-Engine
4	32128-20	6	Nut-HF
5	323-11	3	Screw-HH
6	3234-5	7	Screw-HHF
7	3255-8	1	Washer-Lock/EXT
8	3296-39	3	Nut-Lock, NI
9	80-8560	3	Washer-Hardened
10	42-9370	1	Bolt/Washer
11	80-6990	12	Washer-Hardened
12	95-8812	1	Screw-Hhc
13	95-8926-03	1	Mount-Engine, Front
14	95-8937-03	1	Mount-Engine, LH
15	95-8919-03	1	Mount-Engine
16	63-7790	8	Screw-Cap
17	99-3412-03	1	Pulley
18	56-2140	3	Bolt
19	32128-44	2	Nut
21	99-3354-03	1	Support-Filter,Throttle
22	98-9311	1	Swivel-Throttle
23	3296-20	1	Nut-Lock NI
24	25-8640	1	Screw-Machine, HH

Ref	Part No.	Qty.	Description
25	81-1690	1	Clamp-Cable
26	32105-13	1	Screw-SHH
27	2412-112	1	Clamp
28	3296-2	1	Nut-Lock
29	3255-9	1	Washer-Lock/EXT
30	3256-25	1	Washer-Flat
31	3234-17	1	Screw-HHF
32	3256-78	1	Washer-Flat
33	2412-10	1	R-Clamp
34	43-5930	1	Washer-Spring
35	48-7890	1	Nut
36	99-3441	1	Harness-Wire
37	2412-34	2	Clamp-Hose
38	3290-378	1	Tie-Cable
39	95-8736	1	Spacer
40	98-9611	1	Gasket
41	3256-24	1	Washer-Flat



Air Cleaner And Muffler Assembly

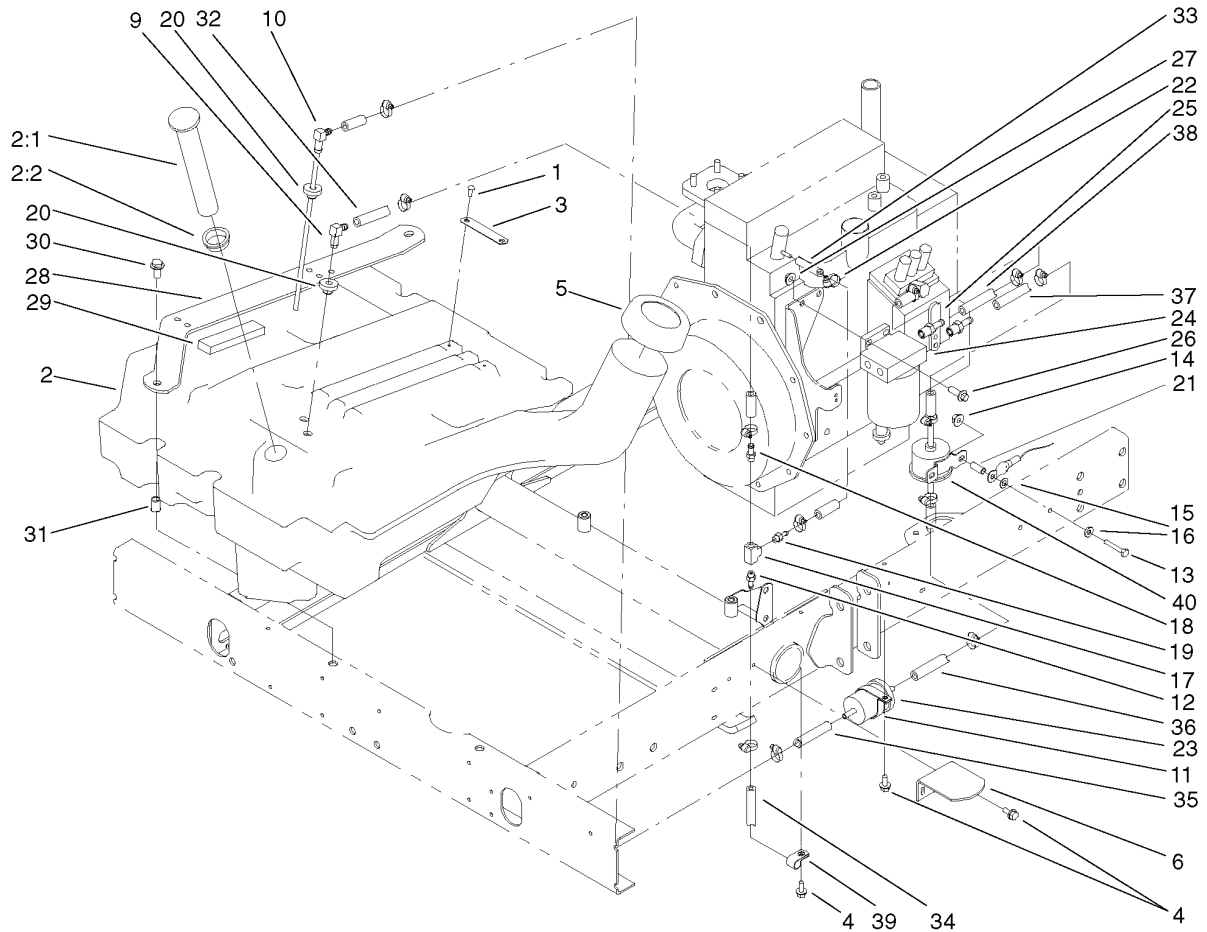
Ref	Part No.	Qty.	Description
1	95-8946	1	Hose-Upper, Air Inlet
2	95-8947	1	Hose-Lower, Air Inlet
3	32128-44	6	Nut
4	3234-5	3	Screw-HHF
5	3256-23	2	Washer-Flat
6	33114-016	2	Screw-HH
7	99-3355-03	1	Bracket-Filter, Air
8	2412-92	4	Clamp-Hose
9	93-2190	1	Air Cleaner ASM
②*9:2	93-2195	1	Filter
9:3	94-3652	1	Cover ASM
9:4	94-1414	1	Valve-Vacuator
9:5	285-17	1	Plug-Pipe
11	33014-00	4	Nut-Hex
12	42-9850	4	Washer-Lock, Spring
13	93-2191	1	Band-Mounting, Aircleaner
13:2	94-3653	1	Bolt
13:3	94-3654	1	Spring
13:4	48-9510	1	Nut
14	95-8942	1	Muffler
15	95-8943-03	1	Bracket-Muffler
16	99-3425-03	1	Guard-Exhaust
17	32144-4	4	Screw-HH
18	3234-17	3	Screw-HHF



Radiator Assembly

Ref	Part No.	Qty.	Description
1	304-46	1	Draincock
2	32104-116	11	Screw
3	32128-44	4	Nut
4	3230-1	4	Screw-CARR
5	95-8934	1	Radiator
5:1	93-5957	1	Cap-Radiator
6	99-3580	1	Shroud-Fan, Top
6:2	93-6681	1	Decal-Warning, Fan
7	99-3360-03	1	Shroud-Fan, Bottom
8	3234-1	4	Screw-HHF
9	92-2379	2	Clamp-Hose
10	100-4903-03	1	Radiator Frame ASM
12	95-8962	2	Seal-Foam, Radiator
13	3234-5	2	Screw-HHF
14	95-8879-03	1	Bracket-Reservoir
15	95-8939	2	Spring-Clip
16	3269-22	1	Rivet-Pop
17	3269-23	1	Rivet-Pop
19	99-3390	1	Lanyard
20	95-8702-03	1	Shield-Radiator, Lower
21	99-3497	1	Magnet
22	75-1040	1	Cooler-Oil
23	95-8944	1	Hose-Radiator, Upper
24	95-8945	1	Hose-Radiator, Lower

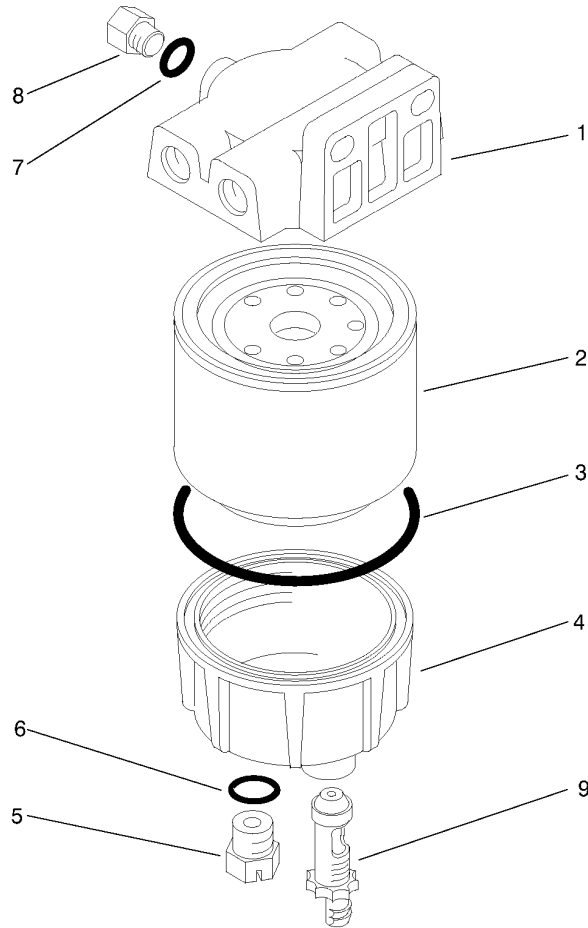
Ref	Part No.	Qty.	Description
25	2412-34	2	Clamp-Hose
26	95-8704	1	Tube-Hydro
27	95-8705	1	Tube-Hydro
28	95-8706	2	Hose-Hydro
29	95-8710	2	Fitting-Barb
30	2412-36	5	Clamp-Hose
31	3290-378	2	Tie-Cable
32	99-3481	2	Grommet
33	66-8800	1	Relay
34	32105-13	2	Screw-SHH
35	63-7623	1	Hose-Fuel
36	56-7985	1	Sleeve-Protective
37	99-3500	1	Hose
38	3296-2	2	Nut-Lock
40	98-9323	1	Bottle-Overflow, Water
42	32128-20	2	Nut-HF
⊕*99	3290-379	1	Tie-Cable



Fuel System

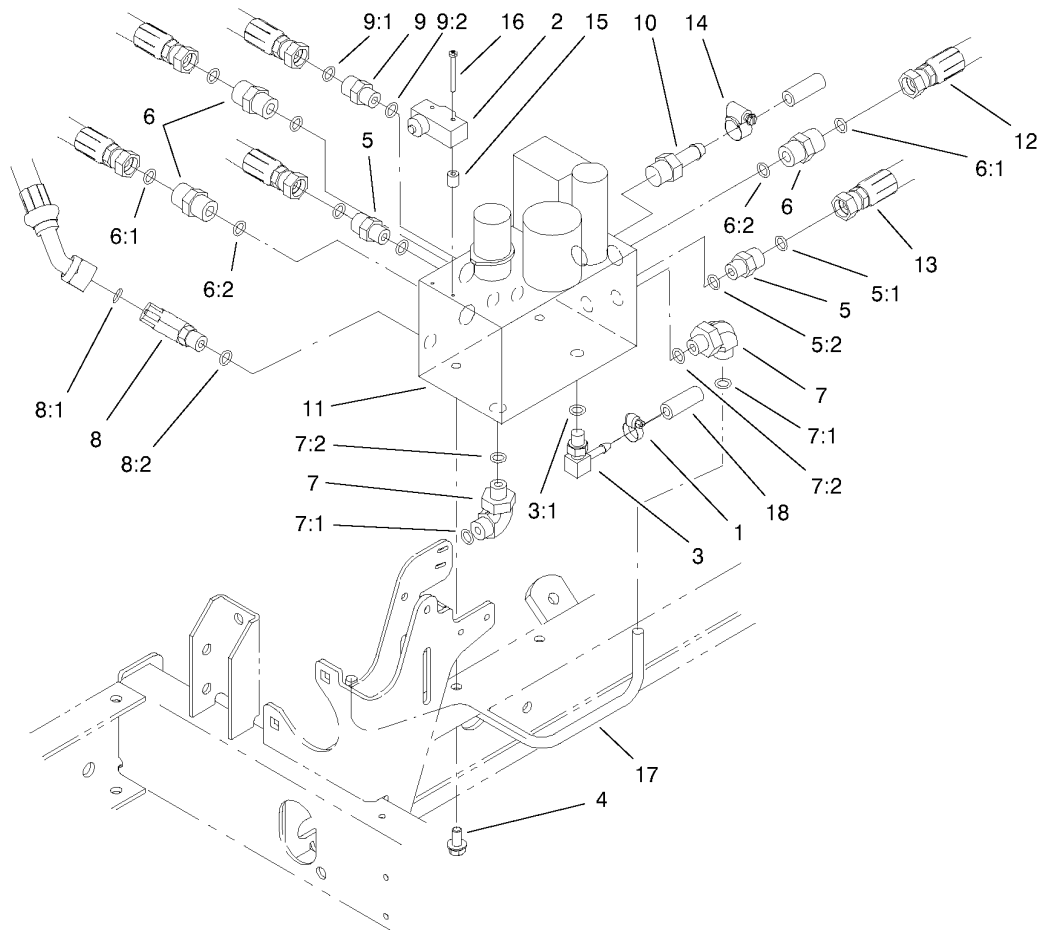
Ref	Part No.	Qty.	Description
1	321-2	2	Screw-HH
2	95-8620	1	Tank-Fuel
2:1	95-8971	1	Guage-Fuel
2:2	95-8972	1	Grommet
3	95-8881	1	Strap-Line, Fuel
4	32144-10	4	Screw-HWH
5	95-4193	1	Diesel Gas Cap ASM
6	95-8968-03	1	Support-Tank, Fuel
9	46-6550	1	Elbow-Connector, 90DEG
10	66-8121	1	Standpipe
11	2412-148	1	Clamp-R
12	304-73	1	Connector-Hose
13	321-9	2	Screw-HH
14	32128-33	2	Nut-HF
15	3255-7	1	Washer-Lock/EXT
16	3256-22	2	Washer-Flat
17	354-20	1	Fitting-Tee
18	354-21	1	Fitting-Barb
19	354-22	1	Fitting-Barb
20	46-6560	2	Bushing
21	87-4710	2	Spacer-Brake, Parking
22	2412-108	13	Clamp-Worm
23	98-7612	1	Filter-Fuel
24	98-9305	1	Filter-Water/Fuel

Ref	Part No.	Qty.	Description
25	353-783	2	Fitting-Pump
26	3234-17	2	Screw-HHF
27	32128-44	2	Nut
28	95-8731-03	2	Strap-Support, Seat
29	95-8896	2	Foam
30	3234-1	4	Screw-HHF
31	32148-9	2	Nut-Insert
32	71-3380	1	Hose-Fuel
33	99-3498	1	Return-Line, Fuel
34	99-3185	1	Line-Fuel
35	71-3383	1	Hose-Fuel
36	19-3250	1	Hose-Line, Fuel
37	63-9640	1	Hose
38	99-3554	1	Hose-Fuel
39	2412-73	1	Clamp-R
40	99-3464	1	Pump-Fuel
②*99	3290-379	2	Tie-Cable



Water / Fuel Filter Assembly No. 98-9305

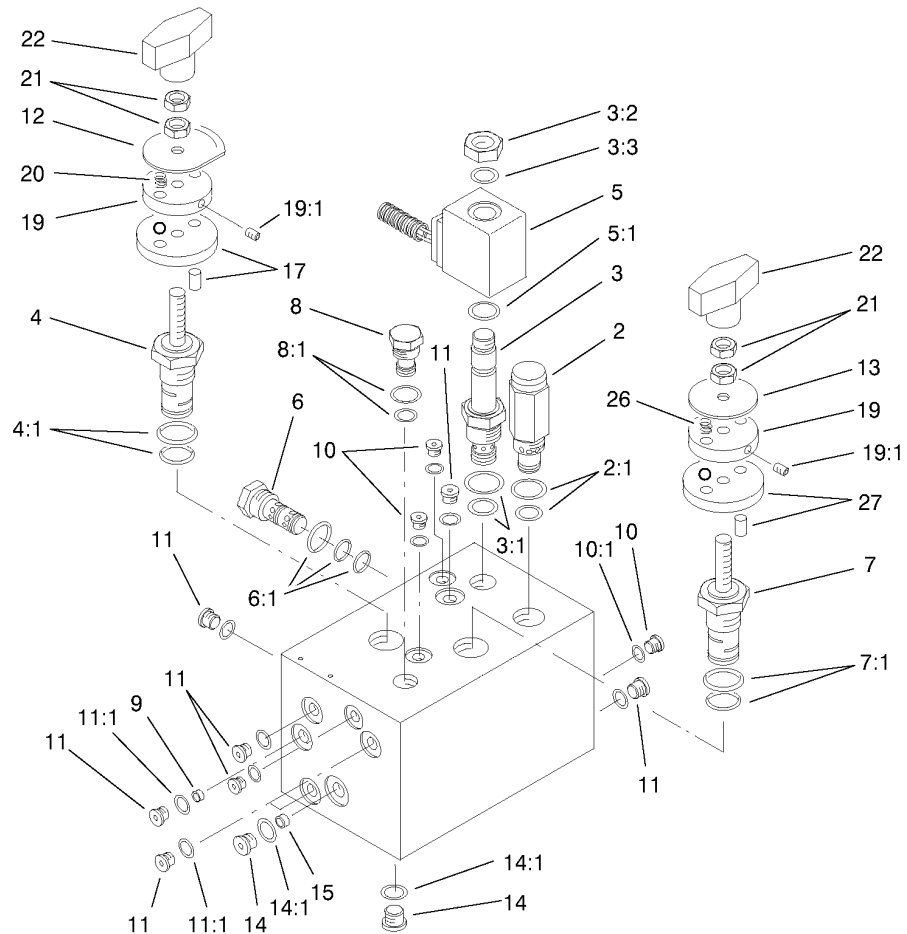
Ref	Part No.	Qty.	Description				
1	98-9772	1	Head-Filter				
2	98-9764	1	Element-On, Spin				
3	98-9774	1	O-Ring-Base, Filter				
4	98-9775	1	Base-Filter				
5	98-9773	1	Plug-Base, Filter				
6	237-42	1	O-Ring				
7	237-78	1	O-Ring				
8	98-9776	1	Plug-Filter, Head				
9	98-9777	1	Drain Valve ASM				



Manifold Block Assembly

Ref	Part No.	Qty.	Description
1	2412-108	1	Clamp-Worm
2	29-6162	1	Switch-Micro
3	304-99	1	Stem-Hose
3:1	237-78	1	O-Ring
4	3234-5	2	Screw-HHF
5	340-2	2	Adapter
5:1	237-22	1	O-Ring
5:2	237-42	1	O-Ring
6	340-4	3	Adapter
6:1	237-30	1	O-Ring
6:2	237-79	1	O-Ring
7	340-77	2	Fitting-HYD., 90°
7:1	237-22	1	O-Ring
7:2	237-42	1	O-Ring
8	340-87	1	Fitting-Hydraulic, 45°
8:1	237-22	1	O-Ring
8:2	237-42	1	O-Ring
9	340-88	1	Adapter
9:1	237-22	1	O-Ring
9:2	237-78	1	O-Ring
10	354-121	1	Fitting-Hydraulic, Straight
11	95-8675	1	Manifold-Hydraulic
12	95-8829	1	Hose ASM
13	95-8830	1	Hose ASM

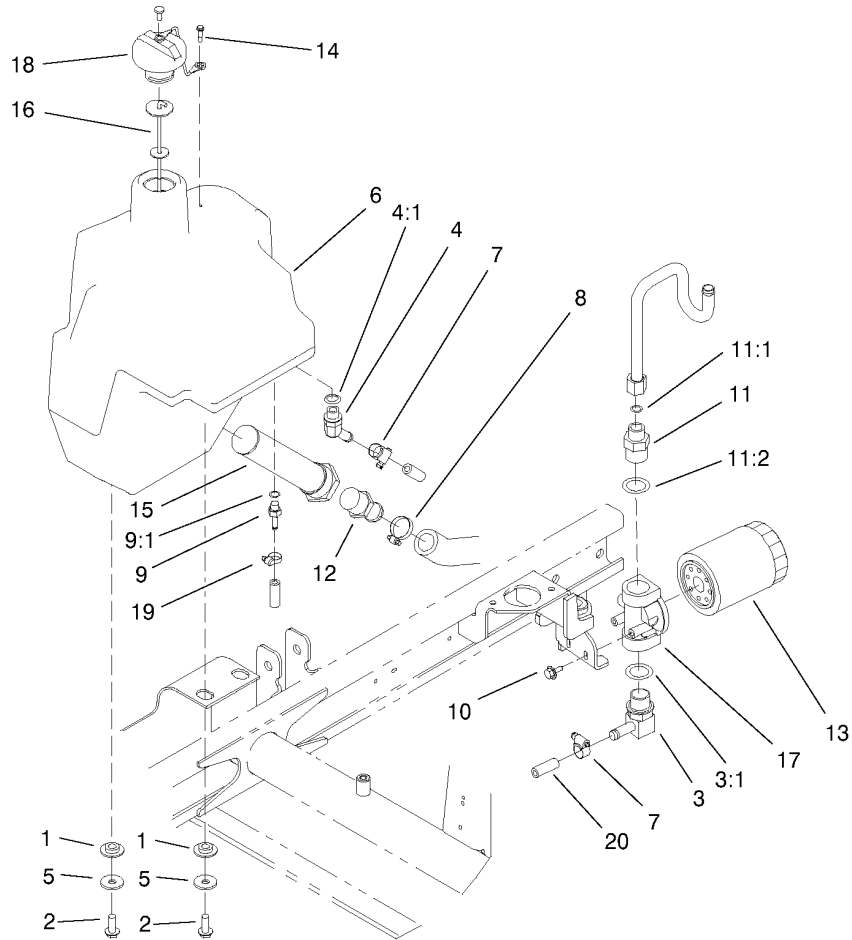
Ref	Part No.	Qty.	Description
14	2412-36	1	Clamp-Hose
15	95-8762	2	Spacer
16	3250-46	2	Screw-PPH
17	95-8792	1	Tube ASM
18	66-8160	1	Hose-Hydraulic
②*99	3290-378	3	Tie-Cable
②*99	3290-379	4	Tie-Cable



Hydraulic Manifold Assembly No. 95-8675

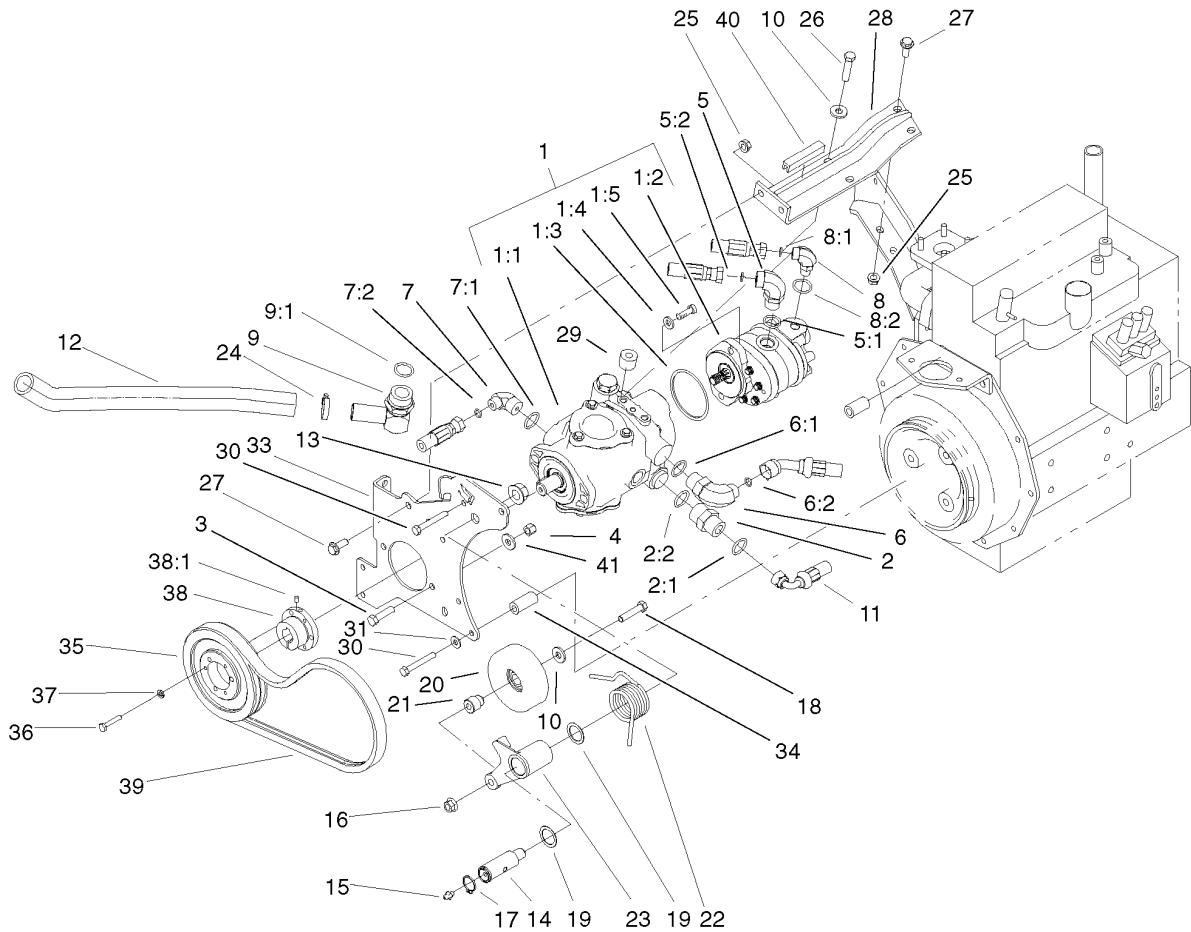
Ref	Part No.	Qty.	Description
2	94-3655	1	Valve-Relief
2:1	75-2080	1	Kit-Seal
3	93-7494	1	Cartridge
3:1	75-2080	1	Kit-Seal
3:2	69-4300	1	Nut
3:3	94-5438	1	Seal-Solenoid
4	94-3657	1	Spool ASM
4:1	94-3661	1	Kit-Seal, 4-Way
5	83-2010	1	Coil-Valve
5:1	94-5438	1	Seal-Solenoid
6	69-4120	1	Cartridge-Logic
6:1	69-4240	1	Kit-Seal
7	94-3659	1	Control-Flow, Rotary
7:1	75-2080	1	Kit-Seal
8	99-3542	1	Cartridge-Plug, Cavity
8:1	69-4240	1	Kit-Seal
9	95-5999	2	Plug-Orifice
10	353-991	4	Plug-Hex, Hollow
10:1	237-156	1	O-Ring
11	353-990	12	Plug
11:1	237-78	1	O-Ring
12	99-3543	1	Plate-Indicator
13	94-5026	1	Plate-Indicator
14	353-989	3	Plug-Hex, Hollow

Ref	Part No.	Qty.	Description
14:1	237-42	1	O-Ring
15	99-3544	1	Plug
17	94-5021	1	Plate-Locating
19	94-5023	2	Plate-Detent
19:1	3245-36	1	Screw-HSH
20	94-5024	2	Spring
21	3218-1	4	Nut-Jam
22	94-5020	2	Knob ASM
26	94-5027	2	Spring
27	94-5025	1	Plate-Locating



Hydraulic Tank Assembly

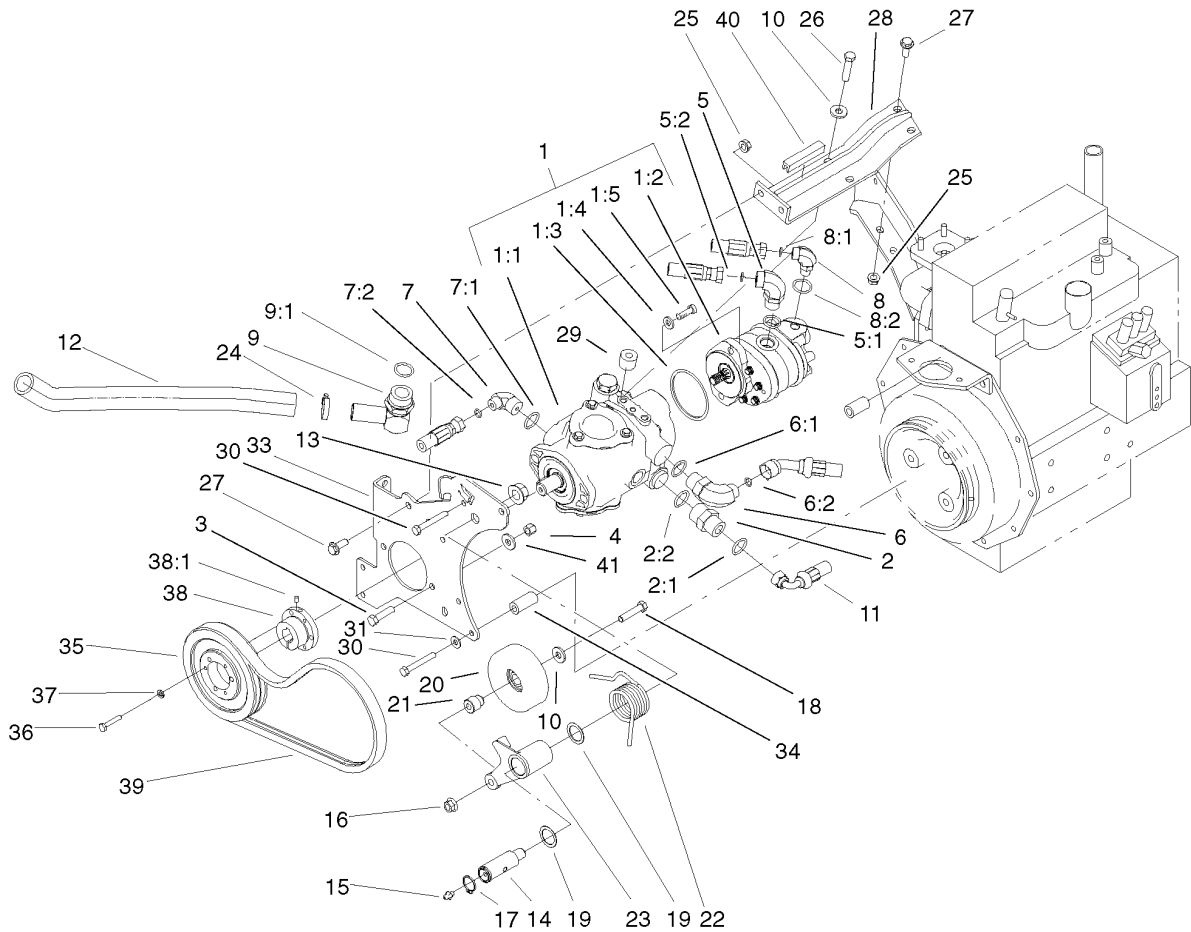
Ref	Part No.	Qty.	Description	Ref	Part No.	Qty.	Description
1	240-11	4	Grommet-Mount, Tank	20	99-3501	1	Hose
2	3234-11	4	Screw-HHF	②*99	3290-379	1	Tie-Cable
3	95-8814	1	Fitting-Barb, 90°				
3:1	237-81	1	O-Ring				
4	354-126	1	Fitting-HYD, 45°				
4:1	237-79	1	O-Ring				
5	63-8410	4	Washer				
6	95-8708	1	Tank-Hydraulic				
7	2412-36	2	Clamp-Hose				
8	2412-34	1	Clamp-Hose				
9	95-8849	1	Fitting-Straight				
9:1	237-78	1	O-Ring				
10	3234-13	2	Screw-HHF				
11	340-8	1	Adapter				
11:1	237-65	1	O-Ring				
11:2	237-81	1	O-Ring				
12	353-682	1	Fitting-Hose				
13	54-0110	1	Filter-Oil, Transmission				
14	57-5420	1	Screw-Shoulder				
15	75-0550	1	Suction-Strainer				
16	75-3710	1	Dipstick				
17	92-5821	1	Filter Head ASM				
18	93-7160	1	Cap-Oil, Hydraulic				
19	2412-108	1	Clamp-Worm				



Hydrostat Assembly

Ref	Part No.	Qty.	Description
1		1	Hydraulic Pump ASM
1:1	104-0428	1	Pump-Piston
1:2	95-8601	1	Pump-Gear
1:3	60-3520	1	O-Ring
1:4	3256-24	2	Washer-Flat
1:5	3274-1	2	Screw-HSH
2	340-8	1	Adapter
2:1	237-65	1	O-Ring
2:2	237-81	1	O-Ring
3	323-8	2	Screw-HH
4	3296-39	2	Nut-Lock, NI
5	340-105	1	Fitting-HYD., 90°
5:1	237-80	1	O-Ring
5:2	237-30	1	O-Ring
6	340-139	1	Fitting-90°
6:1	237-81	1	O-Ring
6:2	237-65	1	O-Ring
7	340-18	1	Fitting
7:1	237-79	1	O-Ring
7:2	237-22	1	O-Ring
8	340-77	1	Fitting-HYD., 90°
8:1	237-22	1	O-Ring
8:2	237-42	1	O-Ring
9	56-9530	1	Fitting

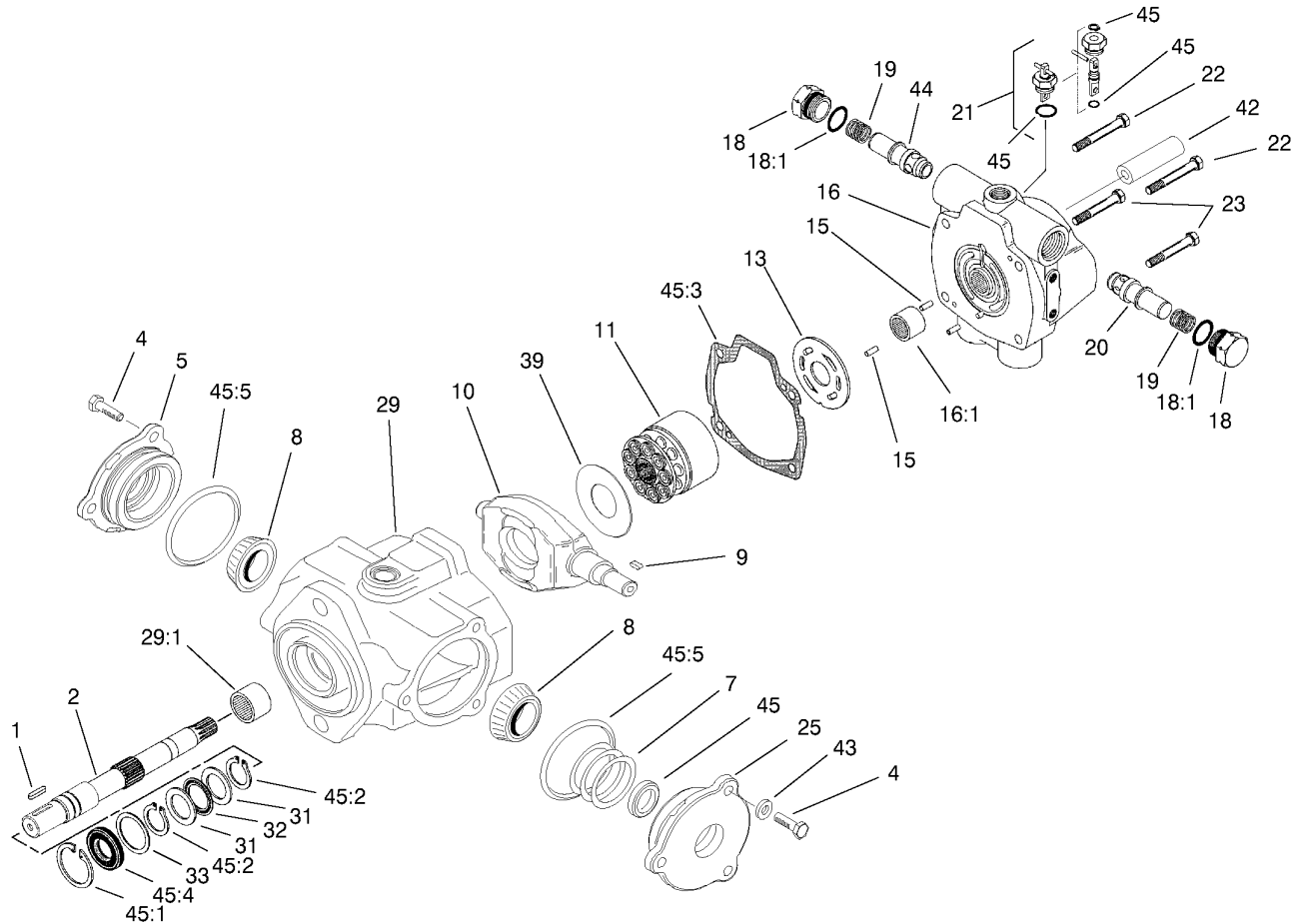
Ref	Part No.	Qty.	Description
9:1	237-117	1	O-Ring
10	80-6990	3	Washer-Hardened
11	95-8834	1	Hose ASM
12	95-8956	1	Hose-Suction
13	32128-54	1	Nut-Flange
14	95-8918	1	Pin-Pivot, Idler
15	302-5	1	Fitting-Lube
16	32128-21	1	Nut-HF
17	32151-36	1	Ring-Retaining
18	323-10	1	Screw-HH
19	74-1810	2	Washer
20	95-8802	1	Pulley-Idler
21	95-8806	1	Spacer
22	95-8917	1	Spring-Torsion
23	95-8957	1	Idler Arm ASM
24	2412-34	1	Clamp-Hose
25	32128-43	4	Nut-Flange
26	323-19	2	Screw-HH
27	3234-11	4	Screw-HHF
28	99-3436-03	1	Support-Pump
29	99-3440	2	Spacer
30	33114-060	4	Screw-HH
31	87-8640	3	Washer-Flat, Hardened
33	95-8933-03	1	Plate-Mount, Pump



Hydrostat Assembly (continued)

Ref	Part No.	Qty.	Description
34	95-8941	4	Spacer-Mount, Pump
35	93-6841	1	Pulley
36	321-13	3	Screw-HH
37	3253-3	3	Washer-Lock/Sp
38	93-6842	1	Bushing-Lock, Taper
38:1	3245-36	1	Screw-HSH
39	95-8730	1	V-Belt
40	70-2041	1	Trim
41	100-4852	2	Washer-Hardened
②*99	3290-379	1	Tie-Cable

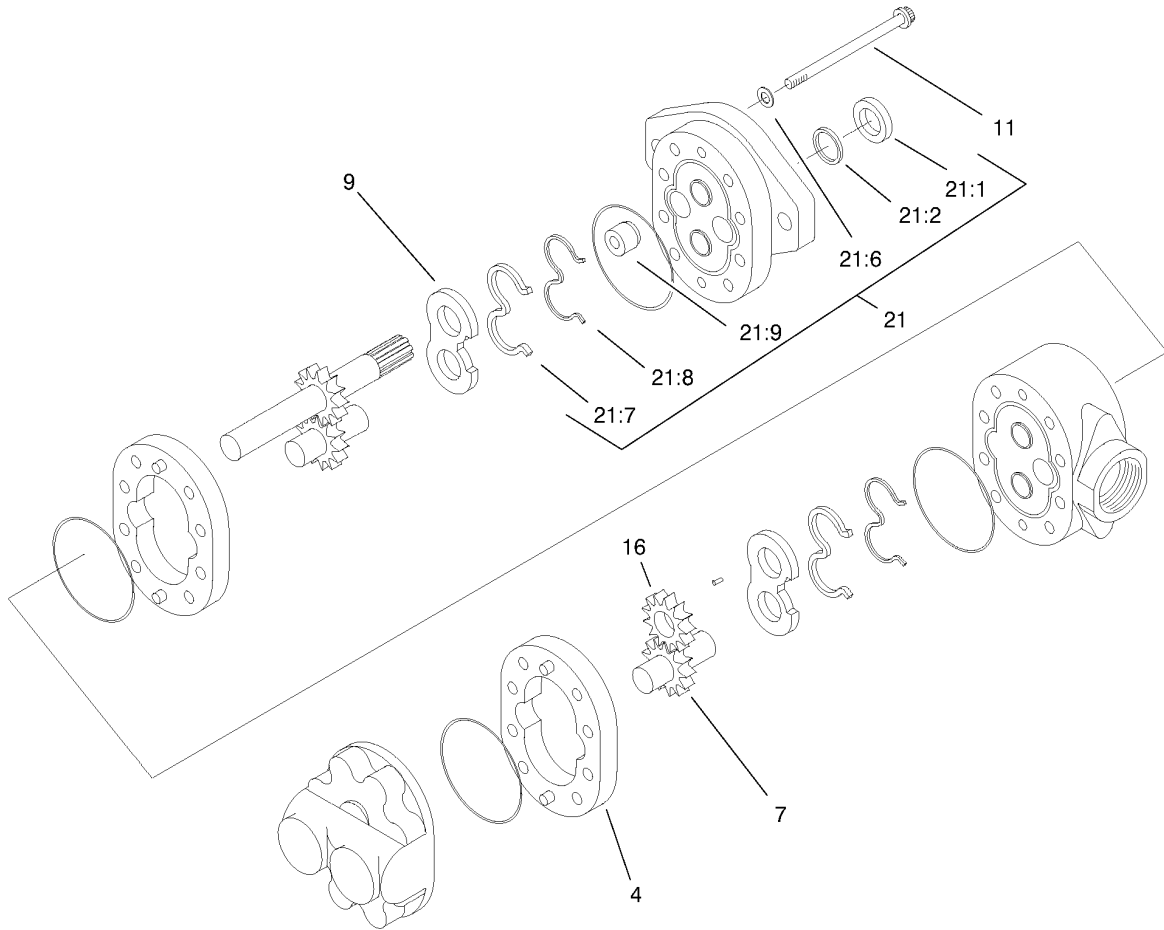
--	--	--	--



Piston Pump Assembly No. 104-0428

Ref	Part No.	Qty.	Description
1	94-3645	1	Key
2	94-6359	1	Shaft-Drive
4	98-4640	6	Screw-Cap
5	98-4633	1	Cover Plate ASM
7	100-3182	1	Kit-Shim
8	98-4639	2	Bearing-Cone
9	94-3646	1	Key
10	99-3520	1	Plate-Cam
11	76-6070	1	Rotating Kit ASM
13	104-0429	1	Plate-Cam
15	76-6150	2	Pin-Dowel
16	100-3177	1	Back Plate ASM
16:1	94-6368	1	Bearing
18	70-1240	2	Plug ASM
18:1	60-5980	1	O-Ring
19	76-6200	2	Spring
20	94-3644	1	Seat
21	100-3181	1	Dump Valve ASM
22	76-6170	2	Capscrew
23	76-6160	2	Capscrew
25	98-4645	1	Cover Plate ASM
29	100-3176	1	Housing ASM
29:1	94-6363	1	Bearing
31	252-71	2	Bearing-Thrust

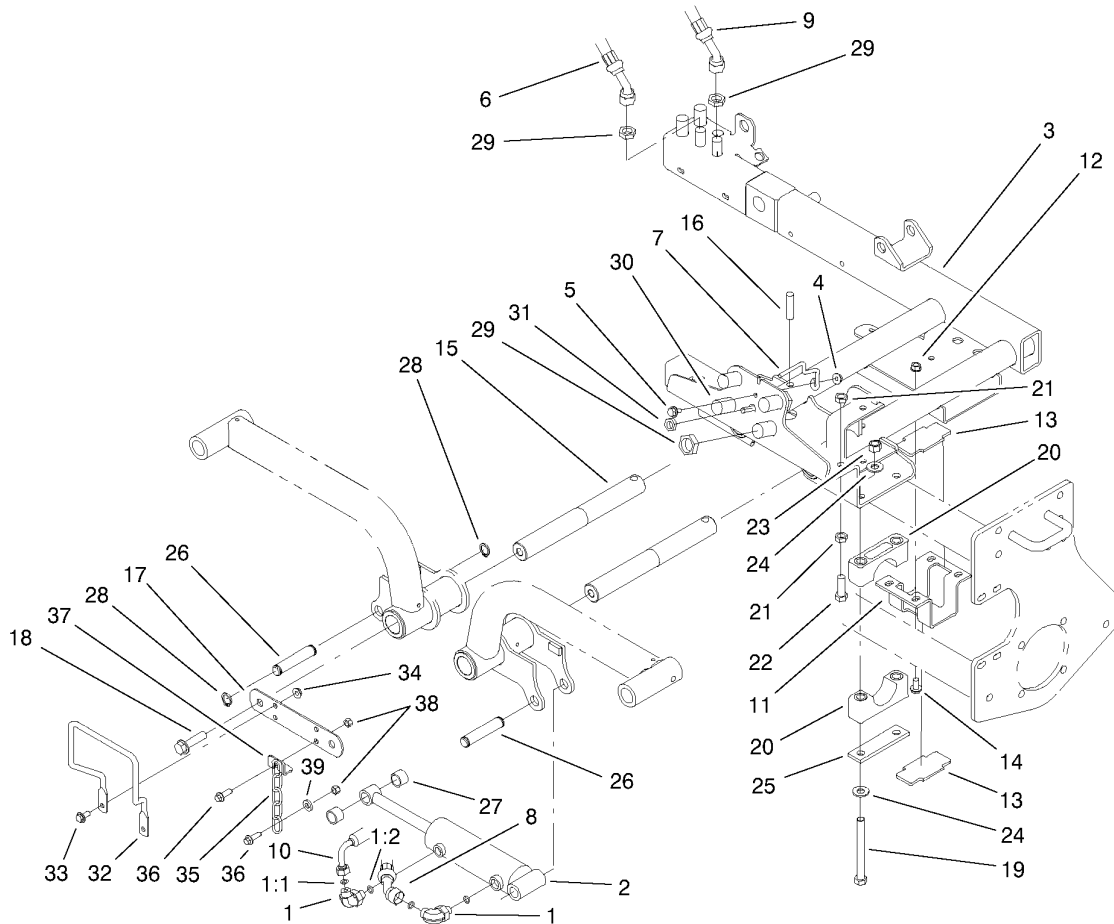
Ref	Part No.	Qty.	Description
32	252-66	1	Bearing-Thrust
33	33-3720	1	Washer
39	98-4635	1	Insert-Plate, Cam
42	74-9040	1	Coupler
43	95-6055	6	Washer
44	99-3521	1	Relief Valve ASM
45	98-4636	1	Kit-Repair, Seal
45:1	32151-13	1	Ring-Snap, Internal
45:2	32151-29	1	Ring-Snap, External
45:3	33-4930	1	Gasket-Housing
45:4	42-2720	1	Seal-External
45:5	100-3179	1	O-Ring



Gear Pump Assembly No. 95-8601

Ref	Part No.	Qty.	Description
4	95-4364	1	Body
7	95-4366	1	Gear-Idler
9	95-4368	2	Plate-Wear
11	94-8158	8	Screw-Cap
16	95-4373	1	Gear-Fit, Slip
21	94-8161	1	Kit-Repair, Seal
21:1	49-2640	1	Seal-Shaft
21:2	60-5890	1	Washer
21:6	94-8160	4	Washer
21:7	95-4369	2	Seal
21:8	95-4367	2	Gasket-Back-Up
21:9	94-3011	1	Plug

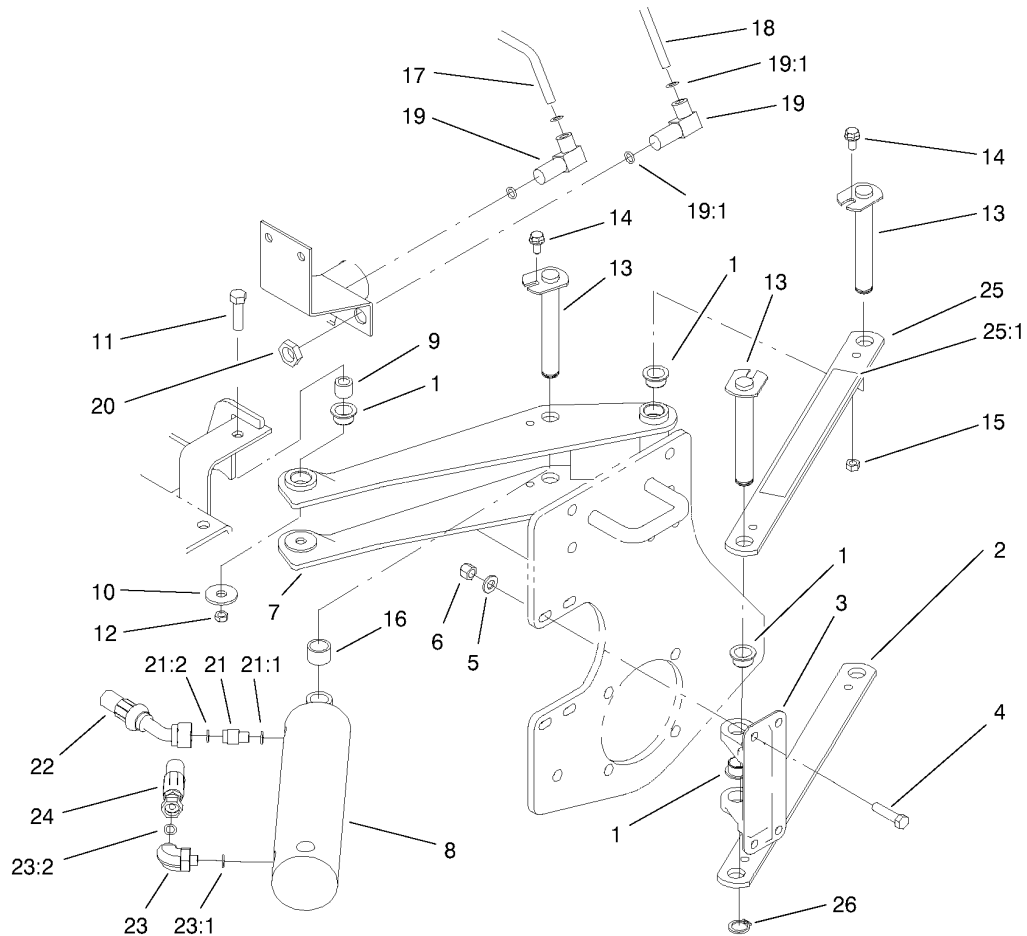
--	--	--	--



Carrier Assembly

Ref	Part No.	Qty.	Description
1	340-77	2	Fitting-HYD., 90°
1:1	237-22	1	O-Ring
1:2	237-42	1	O-Ring
2	95-8978	1	Cylinder-Hydraulic
3	100-4930-03	1	Carrier ASM
4	32128-33	1	Nut-HF
5	3234-4	1	Screw-HHF
6	95-8822	1	Hose ASM
7	99-3433	1	Wire-Center
8	99-3439	1	Hose ASM
9	95-8821	1	Hose ASM
10	95-8840	1	Hose ASM
11	95-8519-03	1	Bracket-Slide
12	32128-43	4	Nut-Flange
13	95-8538	2	Slide-Plastic
14	3234-1	4	Screw-HHF
15	95-8531	2	Shaft-Pivot, Liftarm
16	32121-122	2	Pin-Roll
17	95-8532-03	1	Link-Shaft, Pivot
18	3234-27	2	Screw-Flange
19	325-38	8	Screw-HH
20	95-8609	8	Cap-Bearing
21	3218-5	4	Nut-Jam
22	325-6	2	Screw-HH

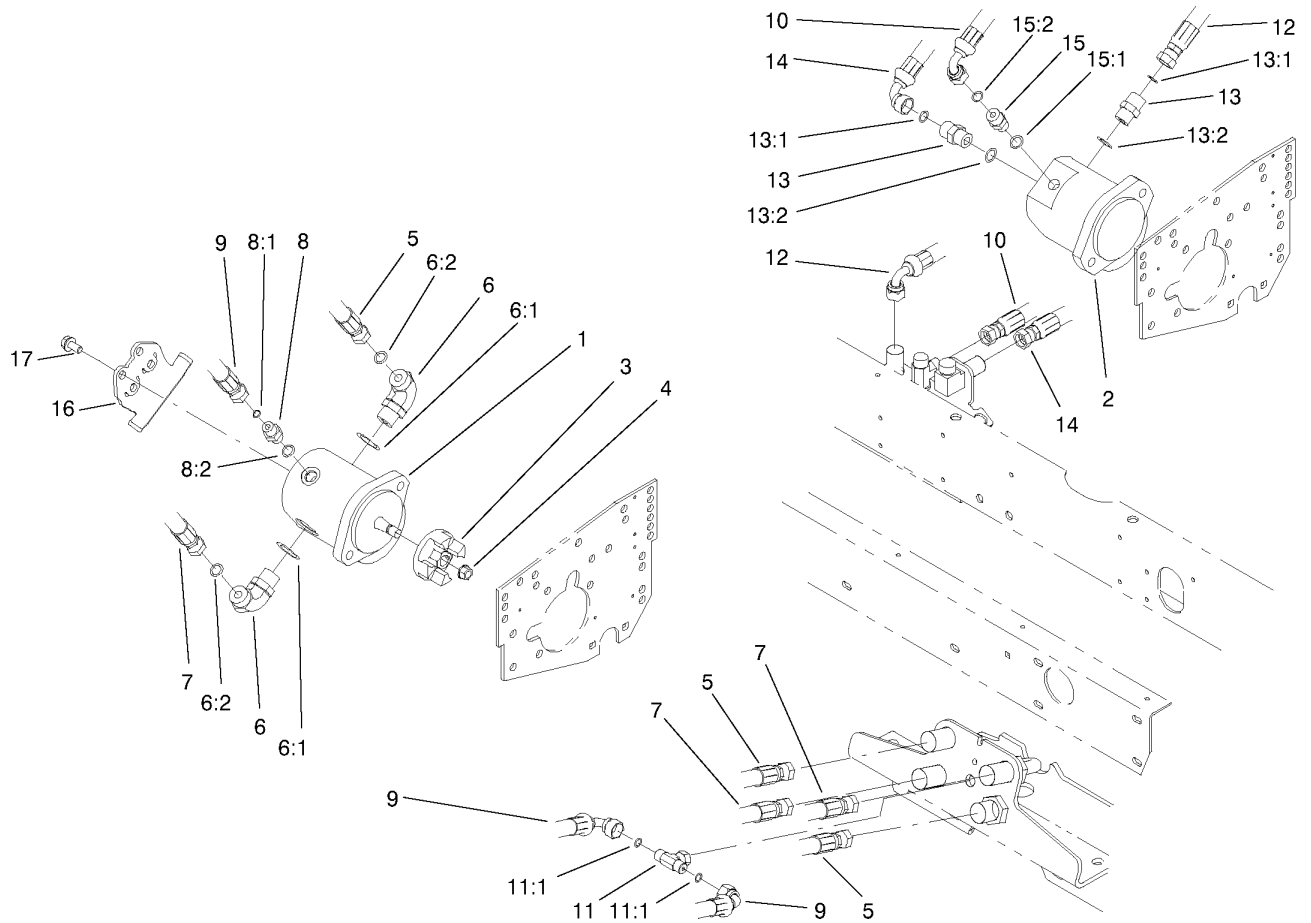
Ref	Part No.	Qty.	Description
23	3296-23	8	Nut-Lock, NI
24	87-7270	16	Washer-Thrust
25	99-3373	4	Bar-Support, Slide
26	95-8575	2	Pin
27	75-9590	2	Spacer-Cylinder
28	32120-93	4	Ring-Retaining
29	340-74	4	Locknut-Bulkhead
30	94-1319	1	Tube-Hydraulic
31	340-78	1	Locknut-Bulkhead
32	99-3492	1	Rod-Formed, Hoseguard
33	3234-5	2	Screw-HHF
34	32128-44	2	Nut
35	98-7981	2	Chain-Link, Straight
36	3234-17	4	Screw-HHF
37	99-3550	2	Clip-Link
38	3296-29	4	Nut-Lock, NI
39	3256-23	2	Washer-Flat
⌀*99	3290-378	1	Tie-Cable
⌀*99	3290-379	3	Tie-Cable



Scissors Assembly

Ref	Part No.	Qty.	Description
1	95-8526	6	Bushing-Plastic
2	95-8527-03	1	Link-Scissor
3	95-8883	1	Mount-Scissor
4	323-7	4	Screw-HH
5	3256-24	4	Washer-Flat
6	3296-39	4	Nut-Lock, NI
7	95-8521-03	1	Frame-Scissor
8	95-8512	1	Cylinder-Hydraulic
9	95-8603	2	Spacer
10	87-5330	2	Washer
11	324-6	2	Screw-HH
12	3296-48	2	Nut-Lock NI
13	95-8529	3	Pin
14	3234-14	3	Screw-HHF
15	32152-1	3	Nut-Lock, NI
16	46-6350	2	Spacer
17	95-8790	1	Tube ASM
18	95-8791	1	Tube ASM
19	340-154	2	Union-Bulkhead
19:1	237-22	2	O-Ring
20	340-70	2	Locknut-Bulkhead
21	85-9720	1	Fitting-Orificed
21:1	237-78	1	O-Ring
21:2	237-21	1	O-Ring

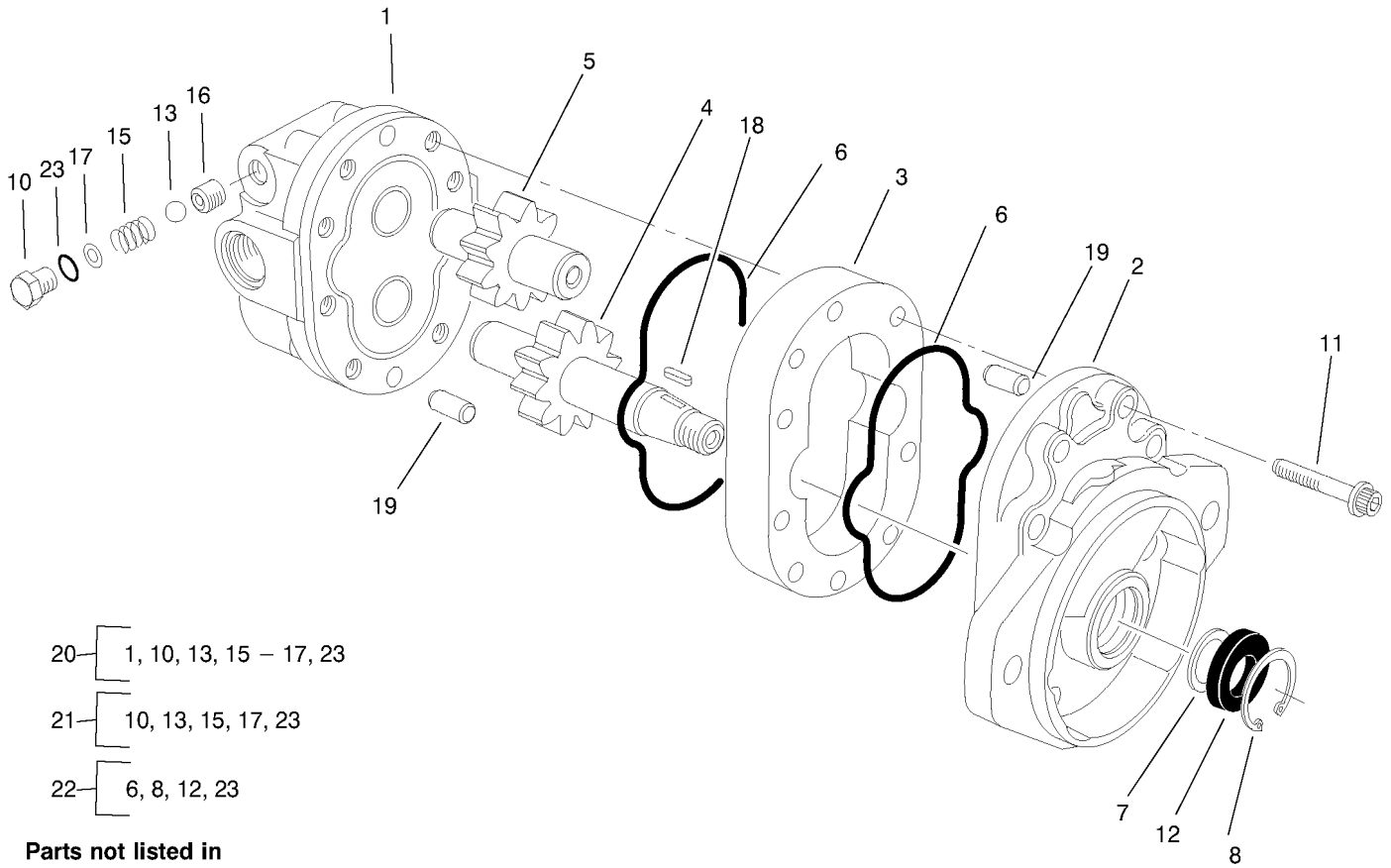
Ref	Part No.	Qty.	Description
22	95-8838	1	Hose ASM
23	340-132	1	Elbow-90°
23:1	237-78	1	O-Ring
23:2	237-21	1	O-Ring
24	95-8839	1	Hose ASM
25	99-3505	1	Link-Scissor
25:1	94-3353	1	Decal-Point, Pinch
26	32120-93	2	Ring-Retaining
②*99	3334-945	1	Tie-Cable



Reel Motor Assembly

Ref	Part No.	Qty.	Description
1	99-3627	1	Motor-Gear
2	93-6975	1	Motor-Gear
3	93-8823	3	Coupler-Motor, Reel
4	32128-48	3	Nut-HHF
5	95-8836	2	Hose ASM
6	340-105	4	Fitting-HYD., 90Ø
6:1	237-80	2	O-Ring
6:2	237-30	2	O-Ring
7	95-8835	2	Hose ASM
8	340-1	2	Adapter
8:1	237-35	2	O-Ring
8:2	237-42	2	O-Ring
9	95-8837	2	Hose ASM
10	95-8828	1	Hose ASM
11	99-3477	1	Fitting-Tee
11:1	237-42	2	O-Ring
12	95-8826	1	Hose ASM
13	340-6	2	Fitting-Straight
13:1	237-30	1	O-Ring
13:2	237-80	1	O-Ring
14	95-8827	1	Hose ASM
15	340-2	1	Adapter
15:1	237-22	1	O-Ring
15:2	237-42	1	O-Ring

Ref	Part No.	Qty.	Description
16	100-4846-03	2	Plate-Skid, Motor
17	3234-14	8	Screw-HHF



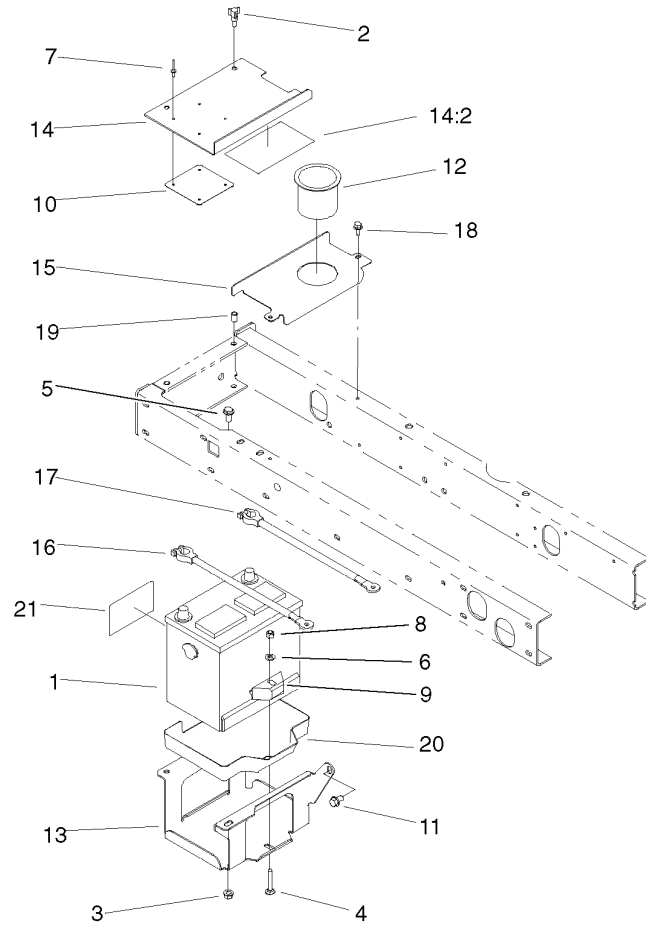
- 20- [1, 10, 13, 15 - 17, 23
- 21- [10, 13, 15, 17, 23
- 22- [6, 8, 12, 23

Parts not listed in partlist are not serviced separately.

Gear Motor Assembly No. 99-3627

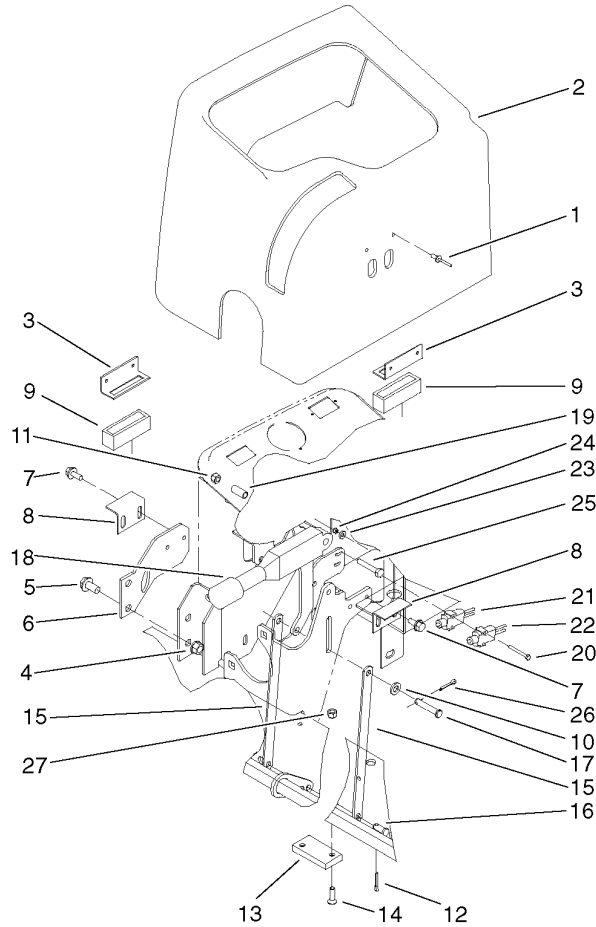
Ref	Part No.	Qty.	Description
2	66-5730	1	Front Plate ASM
3	94-3603	1	Motor Body ASM
4	94-3602	1	Drive Gear ASM
5	94-3601	1	Idler Gear ASM
6	59-8420	2	Ring
7	60-5890	1	Washer
8	59-8320	1	Ring-Retaining
11	94-3600	8	Capscrew
12	66-5710	1	Seal-Shaft
18	94-3606	1	Key
19	42-2010	2	Pin-Dowel
20	100-4873	1	Backplate ASM
21	92-9260	1	Kit-Repair, Relief Valve
22	93-1413	1	Kit-Repair, Seal

--	--	--	--



Battery Assembly

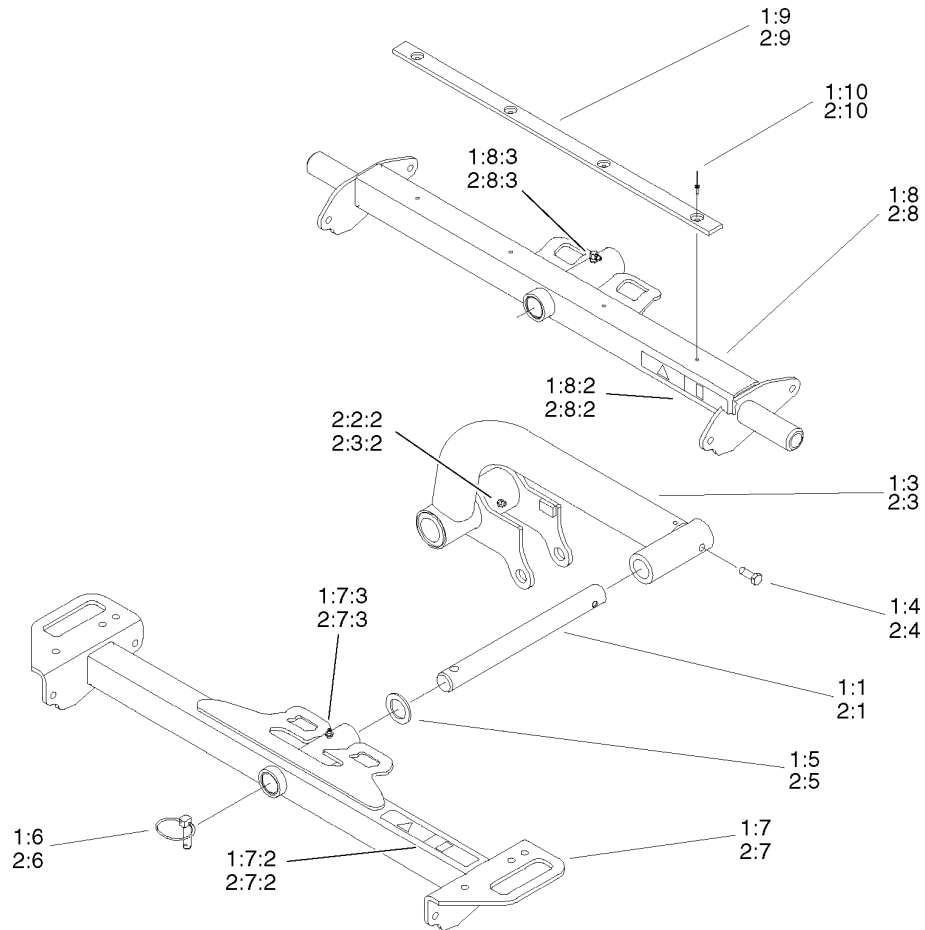
Ref	Part No.	Qty.	Description				
1	83-9000	1	Battery (Dry)				
2	233-70	2	Knob-3 Star				
3	32128-43	3	Nut-Flange				
4	3230-6	1	Screw-CARR				
5	3234-1	3	Screw-HHF				
6	3256-23	1	Washer-Flat				
7	3269-27	4	Rivet-Snap				
8	3296-29	1	Nut-Lock, NI				
9	66-2490	1	Retainer-Battery				
10	87-7620	1	Shield-Terminal,Battery				
11	32144-15	1	Screw				
12	94-1410	1	Holder-Can, Beverage				
13	95-8796-03	1	Support-Battery				
14	99-3602	1	Cover-Battery				
14:2	93-7276	1	Decal-Danger				
15	95-8817-01	1	Cover-Battery, Inner				
16	95-8853	1	Cable-Battery,Positive				
17	95-8854	1	Cable-Battery,Negative				
18	32144-4	2	Screw-HH				
19	32148-6	2	Nut-Insert				
20	99-3513	1	Tray-Battery				
21	93-6668	1	Decal-Battery				



Parking Brake Assembly

Ref	Part No.	Qty.	Description
1	3269-5	4	Rivet
2	95-8707	1	Cover-Dash
3	95-8763	2	Bracket-Hold Down,Cover
4	32128-43	2	Nut-Flange
5	3234-1	2	Screw-HHF
6	95-8764-03	1	Support-Magnet
7	32144-10	4	Screw-HWH
8	95-8765	2	Bracket-Strike,Magnet
9	58-4250	2	Catch-Magnetic
10	3256-23	1	Washer-Flat
11	3296-42	1	Nut-Lock
12	3272-10	1	Pin-Cotter
13	95-8684	1	Pad-Bumper
14	3289-4	2	Screw-FH
15	95-8681-03	2	Link-Brake, Parking
16	283-62	1	Pin-Clevis
17	94-3829	1	Pin-Clevis
18	87-2710	1	Lever-Brake
19	87-4710	1	Spacer-Brake,Parking
20	32105-21	2	Screw-HH
21	95-8900	1	Switch
22	99-3410	1	Switch
23	3256-21	2	Washer-Flat
24	3296-9	2	Nut-Lock NI

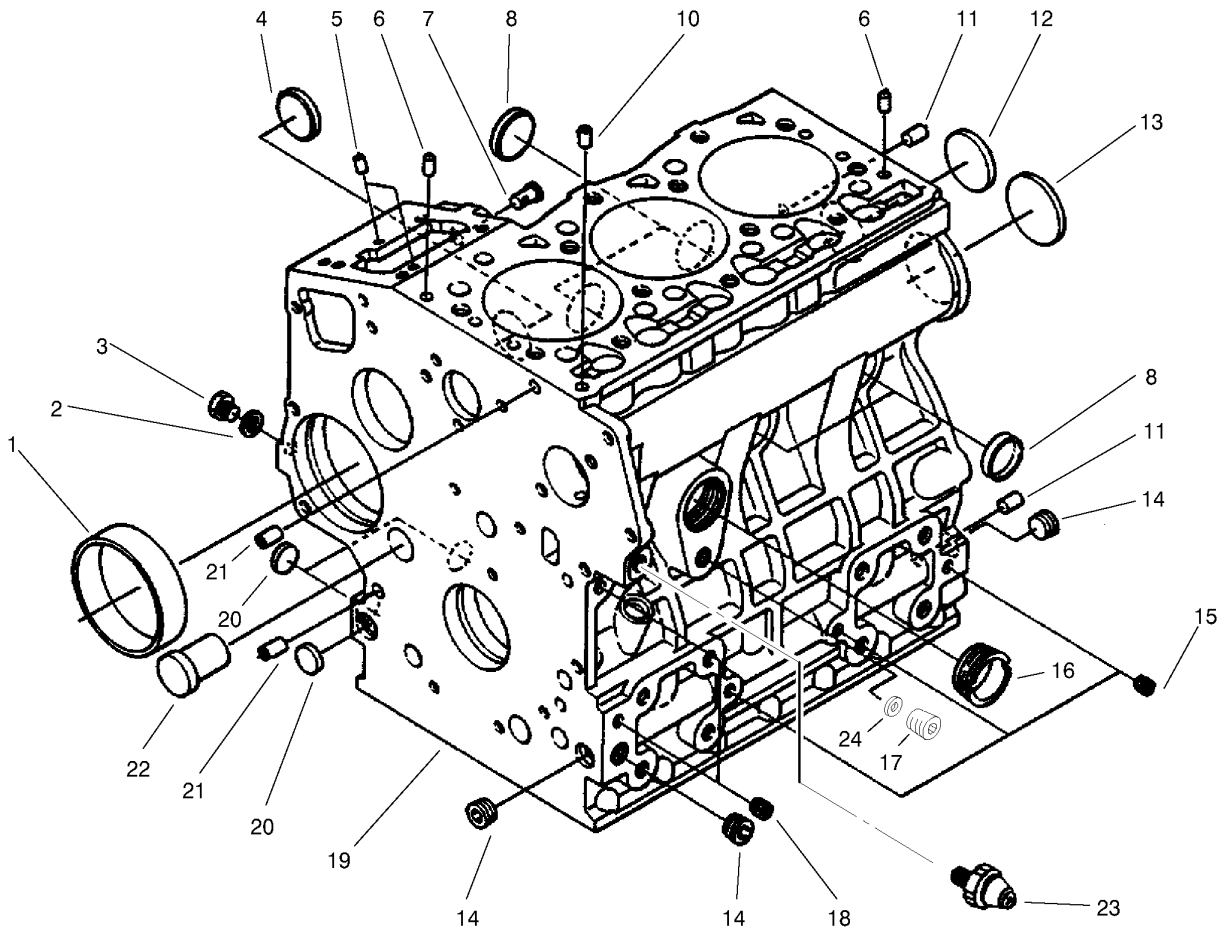
Ref	Part No.	Qty.	Description
25	321-9	1	Screw-HH
26	3272-6	1	Pin-Cotter
27	32128-32	2	Nut-HHF



Lift Arm Kit Assembly

Ref	Part No.	Qty.	Description
1	03220	1	Rm3100 27" Lift Arm Kit
1:1	95-8979	2	Shaft-C.U., Pivot
②*1:2	95-8553	1	RH Short Liftarm ASM
1:3	95-8554	1	LH Short Liftarm ASM
1:4	323-6	2	Screw-HH
1:5	3-6781	2	Washer-Thrust
1:6	283-71	2	Pin-Lynch
1:7	99-3506	2	27" Front Carrierframe ASM
1:7:2	94-3353	1	Decal-Point, Pinch
1:7:3	302-5	1	Fitting-Lube
1:8	99-3508	1	27" Rear Carrier Frameasm
1:8:2	94-3353	1	Decal-Point, Pinch
1:8:3	302-60	1	Fitting-Lube
1:9	95-8936	1	Strip-Wear
1:10	3269-18	4	Rivet-Pop, Steel
2	03221	1	Rm3100 32" Lift Arm Kit
2:1	95-8979	2	Shaft-C.U., Pivot
②*2:2	95-8550	1	RH Long Liftarm ASM
2:2:2	302-5	1	Fitting-Lube
2:3	95-8551	1	LH Long Liftarm ASM
2:3:2	302-5	1	Fitting-Lube
2:4	323-6	2	Screw-HH
2:5	3-6781	2	Washer-Thrust
2:6	283-71	2	Pin-Lynch

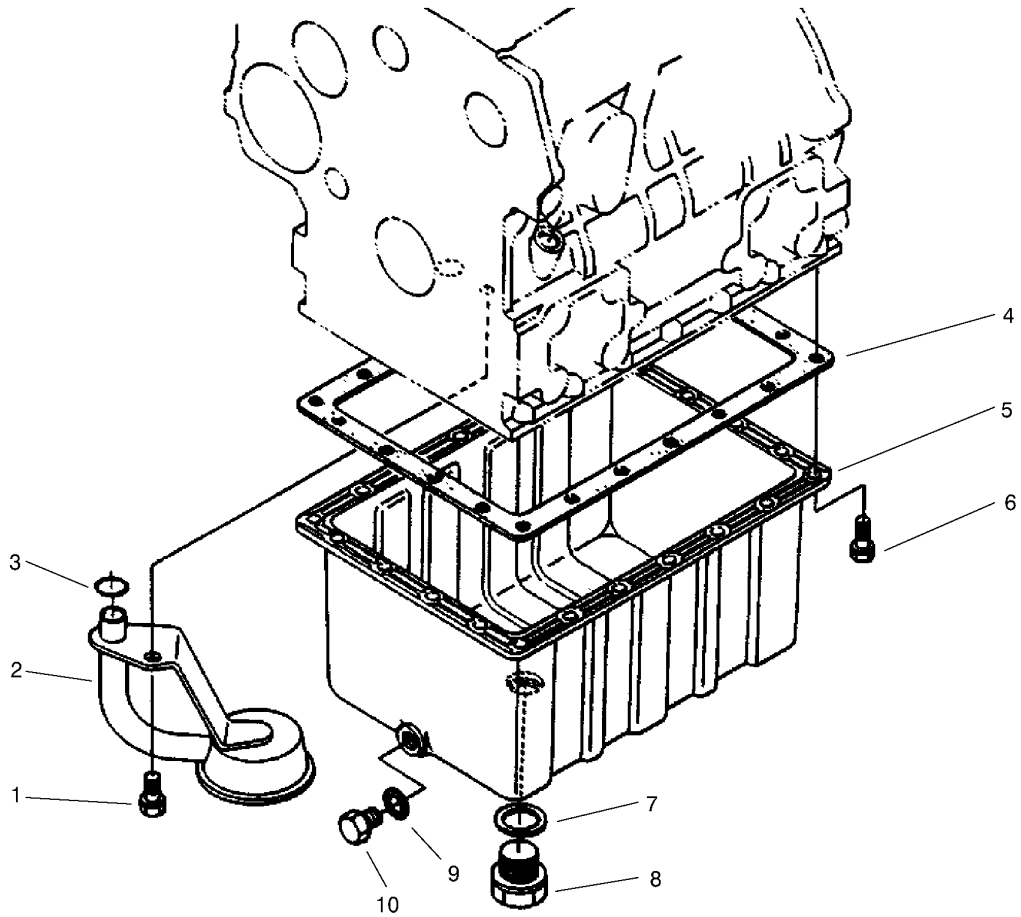
Ref	Part No.	Qty.	Description
2:7	99-3507	2	32" Front Carrierframe ASM
2:7:2	94-3353	1	Decal-Point, Pinch
2:7:3	302-5	1	Fitting-Lube
2:8	99-3509	1	32" Rear Carrier Frameasm
2:8:2	94-3353	1	Decal-Point, Pinch
2:8:3	302-60	1	Fitting-Lube
2:9	95-8936	1	Strip-Wear
2:10	3269-18	4	Rivet-Pop, Steel



Crankcase Assembly

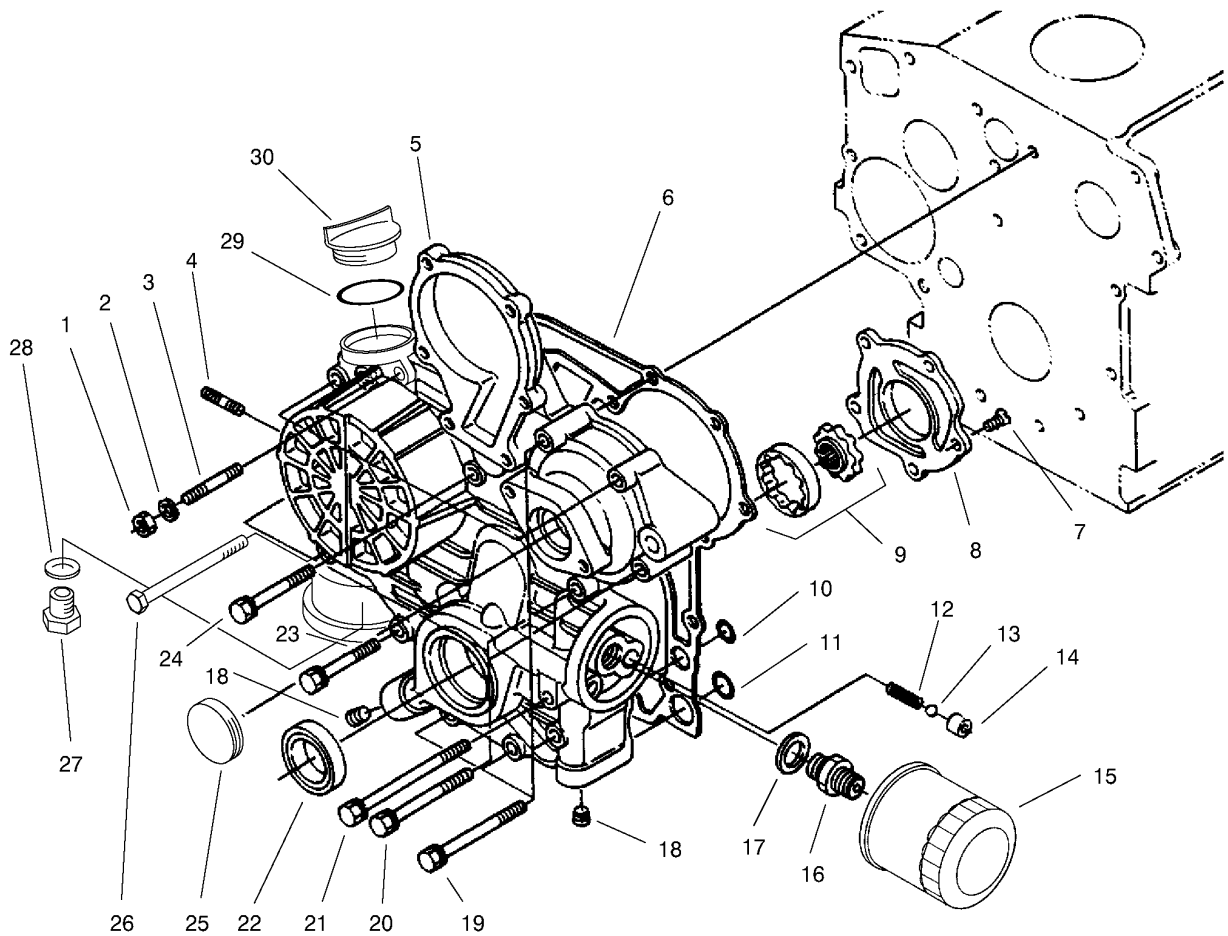
Ref	Part No.	Qty.	Description
1	98-9656	1	Bushing-Gear, Governor
2	98-7428	1	Gasket
3	98-7507	1	Plug
4	98-9599	1	Plug
5	98-9375	2	Pin-Straight
6	98-9376	2	Pin-Straight
7	98-9630	1	Pin-Start Spring
8	98-9398	4	Cap-Sealing
10	98-9539	1	Pin-Pipe
11	98-9377	2	Pin-Straight
12	98-7540	1	Plug
13	98-9668	1	Plug
14	98-9597	3	Plug
15	98-7539	3	Cap-Sealing
16	98-9667	1	Plug
17	99-3447	1	Plug-Pipe
18	98-7487	2	Plug
19	98-9604	1	Crankcase ASM (Incl. Ref. #1-8, 10-16, 18 & 20-22)
20	98-9379	3	Plug
21	98-9387	2	Pin-Pipe
22	98-9675	1	Plug
23	98-9416	1	Switch
24	99-3445	1	Gasket

--	--	--	--



Oil Pan Assembly

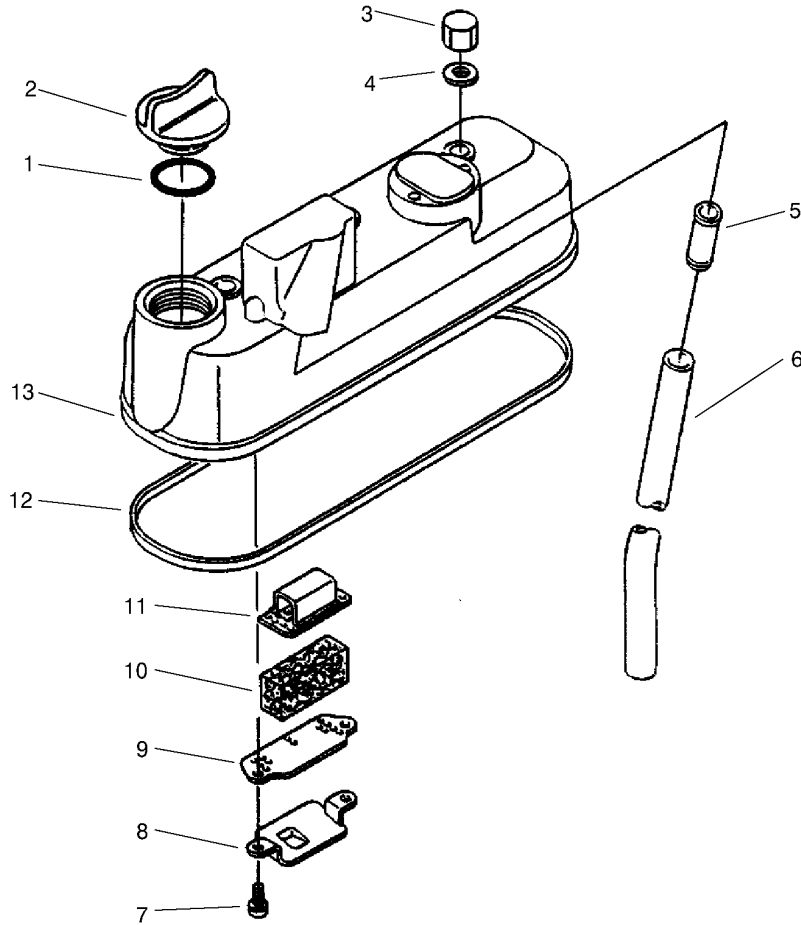
Ref	Part No.	Qty.	Description				
1	98-9358	1	Bolt				
2	98-9538	1	Filter-Oil				
3	98-7527	1	O-Ring				
4	98-9646	1	Gasket-Pan, Oil				
5	98-9685	1	Oil Pan				
6	98-9350	22	Bolt				
7	98-9399	1	Gasket				
8	98-7523	1	Plug-Drain				
9	98-7524	1	Gasket				
10	98-9386	1	Plug				



Gear Case and Oil Filter Assembly

Ref	Part No.	Qty.	Description
1	98-7572	1	Nut
2	98-9367	1	Washer-Lock
3	98-9363	1	Stud
4	98-9362	2	Stud
5	99-3462	1	Gear Case ASM (Incl. Ref. #7-9, 12-14 & 16-18)
6	98-9633	1	Gasket-Case, Gear
7	98-9592	5	Screw
8	98-9541	1	Cover-Pump, Oil
9	98-9540	1	Oil Pump Rotor ASM
10	98-9372	2	O-Ring
11	98-7547	2	O-Ring
12	98-9544	1	Spring
13	98-9380	1	Ball
14	98-9543	1	Seal-Valve
15	99-8384	1	Oil Cartridge ASM
16	98-9388	1	Joint-Pipe
17	98-7562	1	Washer-Flat
18	98-9598	2	Plug
19	98-9356	2	Bolt
20	98-9355	4	Bolt
21	99-3510	2	Bolt
22	98-9482	1	Seal-Oil
23	98-9437	1	Bolt

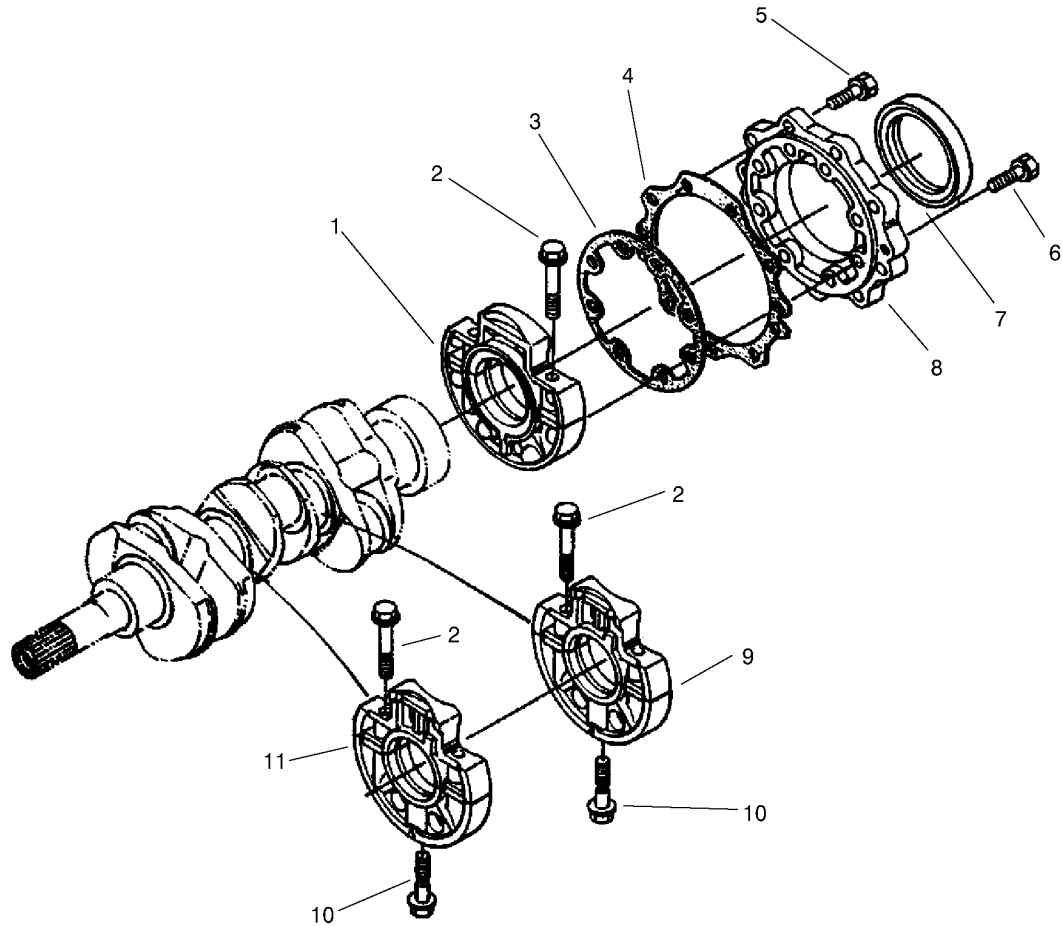
Ref	Part No.	Qty.	Description
24	98-7496	3	Bolt
25	99-3515	1	Plug-Case, Gear
26	99-3511	1	Bolt
27	99-3450	1	Plug
28	99-3451	1	Packing-Plug
29	98-7430	1	O-Ring
30	98-9449	1	Plug-Filler, Oil



Head Cover Assembly

Ref	Part No.	Qty.	Description
1	98-7430	1	O-Ring
2	98-9449	1	Plug-Filler, Oil
3	98-9455	3	Nut-Cap
4	98-9454	3	Gasket
5	98-9492	1	Joint-Pipe, Breather
6	98-9491	1	Pipe-Breather
7	98-9364	2	Screw W/Washer
8	98-9490	1	Breather-Shield, Oil
9	98-9488	1	Plate-Element, Breather
10	98-9493	1	Element-Breather
11	98-9489	1	Plate-Element, Breather
12	98-9615	1	Gasket-Cover, Head
13	98-9614	1	Cylinder Headcover ASM (Incl. Ref. #5 & 7-12)

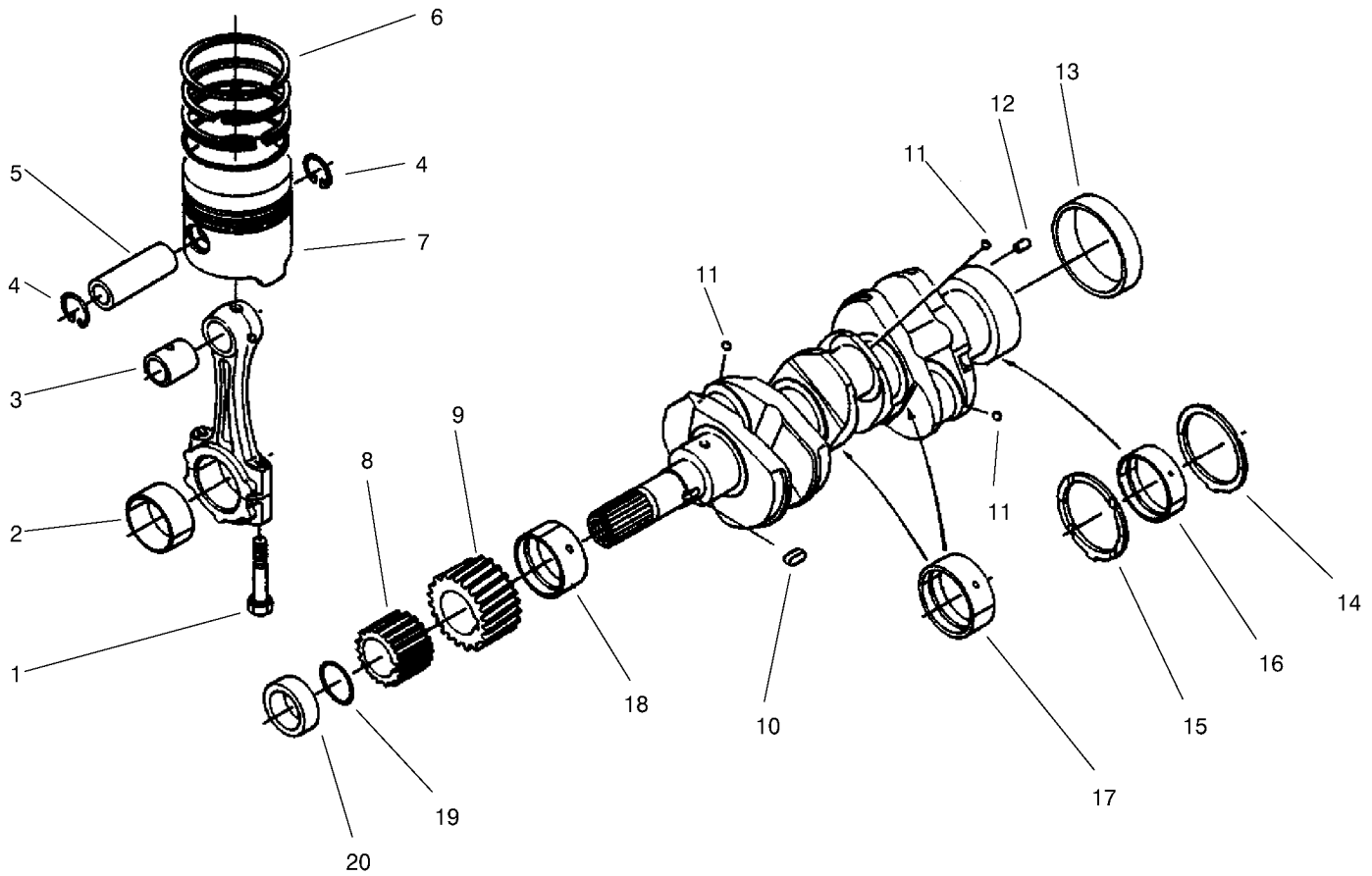
--	--	--	--



Main Bearing Case Assembly

Ref	Part No.	Qty.	Description
1	99-8345	1	Main Bearingcase ASM
2	98-9484	6	Bolt-Case, Bearing
3	98-9634	1	Gasket-Case, Bearing
4	98-9635	1	Gasket-Case, Bearingcover
5	98-7568	9	Bolt
6	98-9352	8	Bolt
7	98-9483	1	Seal-Oil
8	98-9487	1	Cover-Case, Bearing
9	98-9607	1	Main Bearingcase ASM (Incl. Ref. #2 & 10)
10	98-9485	2	Bolt-Case, Bearing
11	98-9606	1	Main Bearingcase ASM (Incl. Ref. #2 & 10)

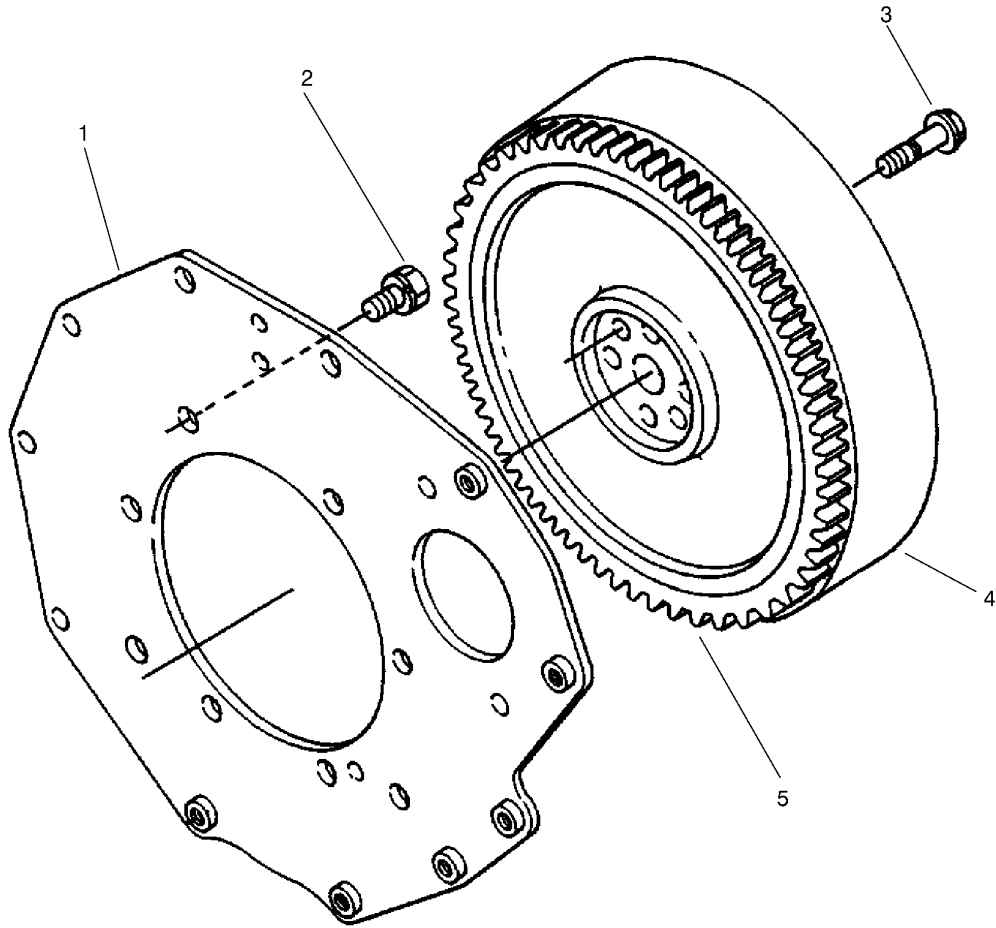
--	--	--	--



Piston and Crankshaft Assembly

Ref	Part No.	Qty.	Description
1	98-9517	6	Bolt-Connecting Rod
2	98-9553	3	Metal-Crankpin (STD.)
2	98-9519	3	Metal-Crankpin(0.2Mm Undersize)
2	98-9520	3	Metal-Crankpin(0.4Mm Undersize)
3	98-9515	3	Bushing-Piston Pin
4	98-9514	6	Clip-Circular,Piston Pin
5	98-9513	3	Pin-Piston
6	98-9618	3	Piston Ring ASM (STD.)
6	98-9619	3	Piston Ring ASM(0.5Mm Oversize)
7	98-9550	3	Piston (STD.)
7	98-9470	3	Piston(0.5Mmoversize)
8	98-9542	1	Gear-Drive, Oil Pump
9	98-9532	1	Gear-Crankshaft
10	98-9666	1	Key
11	98-7473	3	Ball
12	98-9375	1	Pin-Straight
13	98-9522	1	Sleeve-Crankshaft
14	98-9413	2	Metal-Side (STD.)
14	98-9414	2	Metal-Side(0.2Mm Oversize)
14	98-9415	2	Metal-Side(0.4Mm Oversize)
15	98-9688	2	Metal-Side (STD.)
15	98-9689	2	Metal-Side(0.2Mm Oversize)
15	98-9690	2	Metal-Side(0.4Mm Oversize)

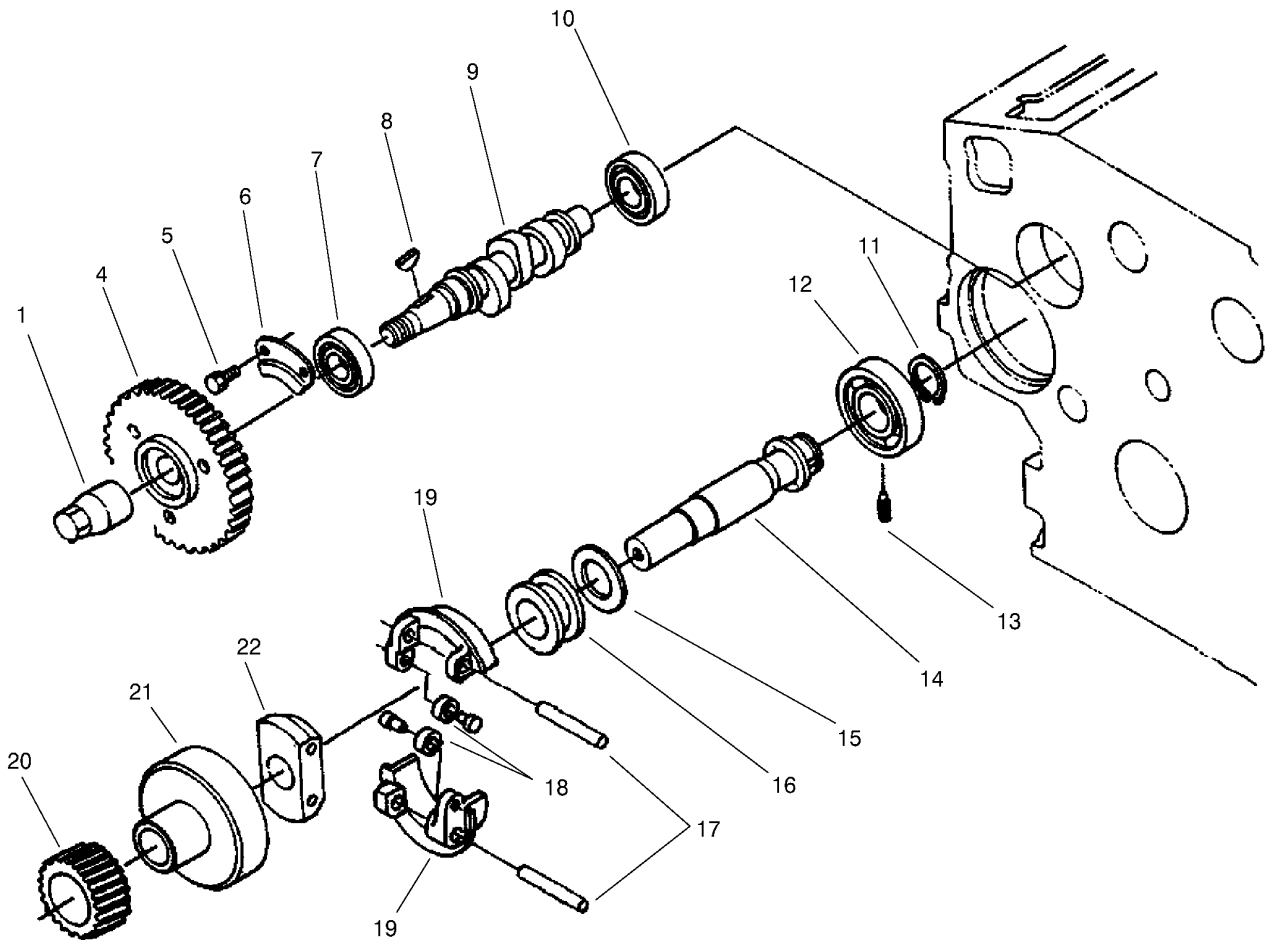
Ref	Part No.	Qty.	Description
16	98-9556	1	Metal-Crankshaft (STD)
16	98-9526	1	Metal-Crankshaft(0.2Mm Undersize)
16	98-9527	1	Metal-Crankshaft(0.4Mm Undersize)
17	98-9555	2	Metal-Crankshaft(STD Set)
17	98-9530	2	Metal-Crankshaft(0.2Mm Undersize Set)
17	98-9531	2	Metal-Crankshaft(0.4Mm Undersize Set)
18	98-9554	1	Metal-Crankshaft (STD)
18	98-9528	1	Metal-Crankshaft(0.2Mm Undersize)
18	98-9529	1	Metal-Crankshaft(0.4Mm Undersize)
19	98-9373	1	O-Ring
20	98-9521	1	Collar-Crankshaft
④*	98-9552	3	Connecting Rod ASM (Incl. Ref. #1-3)
④*	98-9642	1	Crankshaft ASM (Incl. Ref. #8-13)



Flywheel Assembly

Ref	Part No.	Qty.	Description
1	98-9486	1	Plate-End, Rear
2	98-9392	8	Bolt
3	98-9537	6	Bolt-Flywheel
4	98-9691	1	Flywheel ASM (Incl. Ref. #5)
5	98-9394	1	Gear-Ring

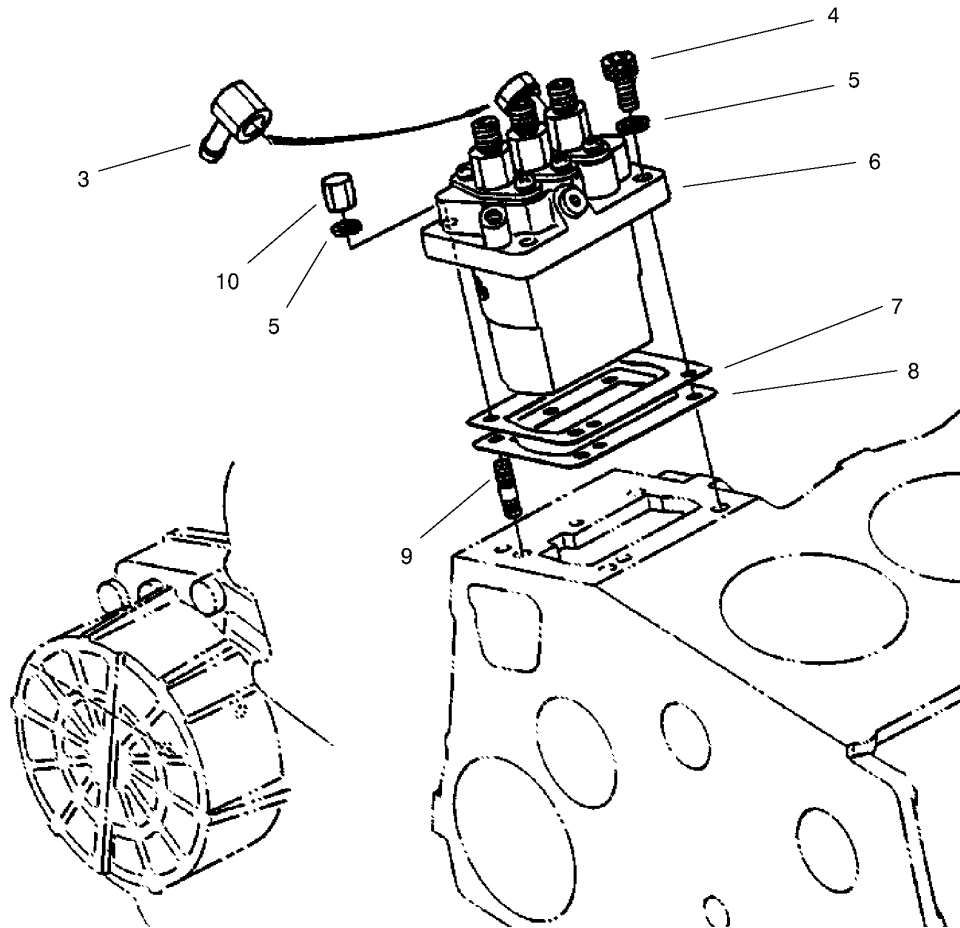
--	--	--	--



Fuel Camshaft Assembly

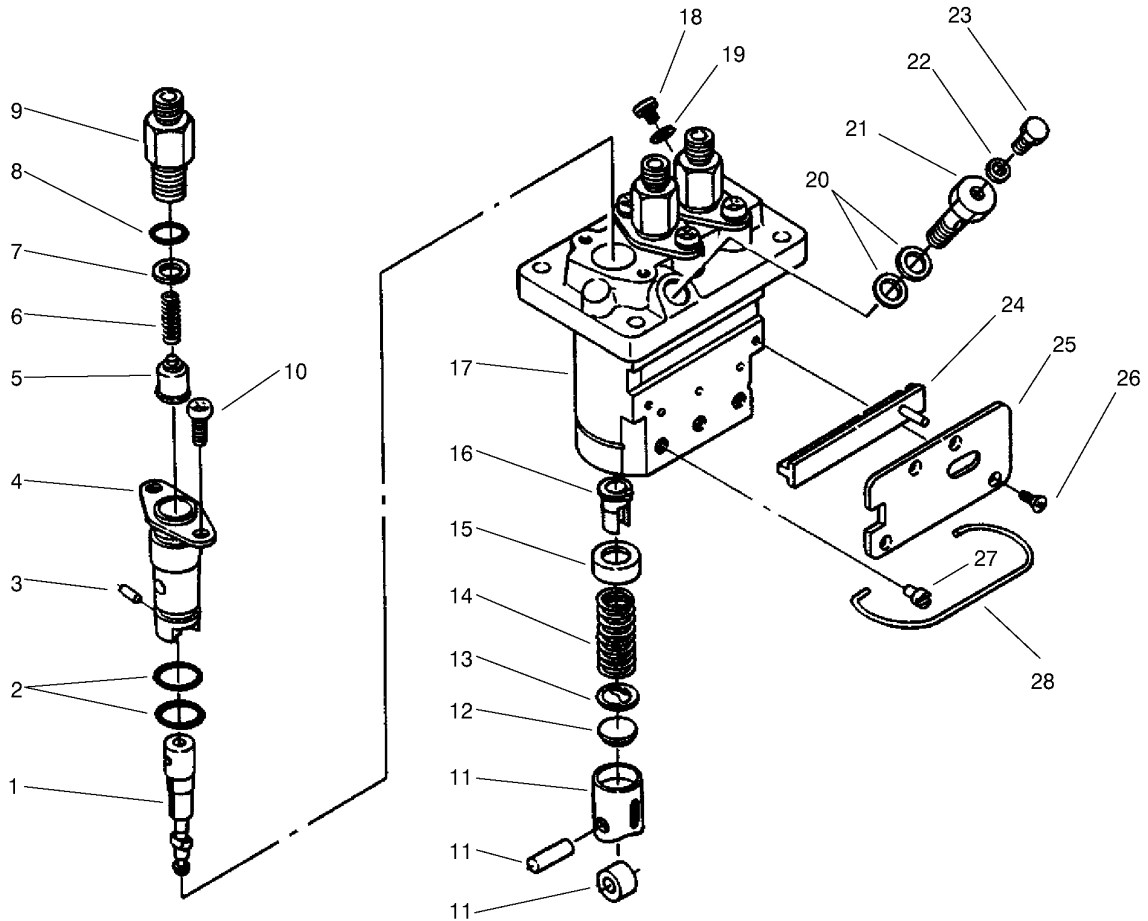
Ref	Part No.	Qty.	Description
1	98-9590	1	Nut-Cap
4	98-9669	1	Gear-Injection Pump
5	98-9350	2	Bolt
6	98-9511	1	Stopper-Fuel,Camshaft
7	98-9383	1	Bearing-Ball
8	98-9595	1	Key-Woodruff
9	98-9459	1	Camshaft-Fuel
10	98-9382	1	Bearing-Ball
11	98-9657	1	Clip-Circular,Gov. Shaft
12	98-9381	1	Bearing-Ball
13	98-9565	1	Screw-Set
14	98-9644	1	Governor Shaft ASM (Incl. Ref. #12 & 14-22)
15	98-9564	1	Washer-Thrust
16	98-9563	1	Sleeve-Governor
17	98-9560	2	Shaft-Weight,Governor
18	98-9692	2	Roller
19	98-9559	2	Governor Weight ASM
20	98-9673	1	Gear-Governor
21	98-9562	1	Holder-Gear, Governor
22	98-9561	1	Holder-Gear, Governor

--	--	--	--



Injection Pump Assembly

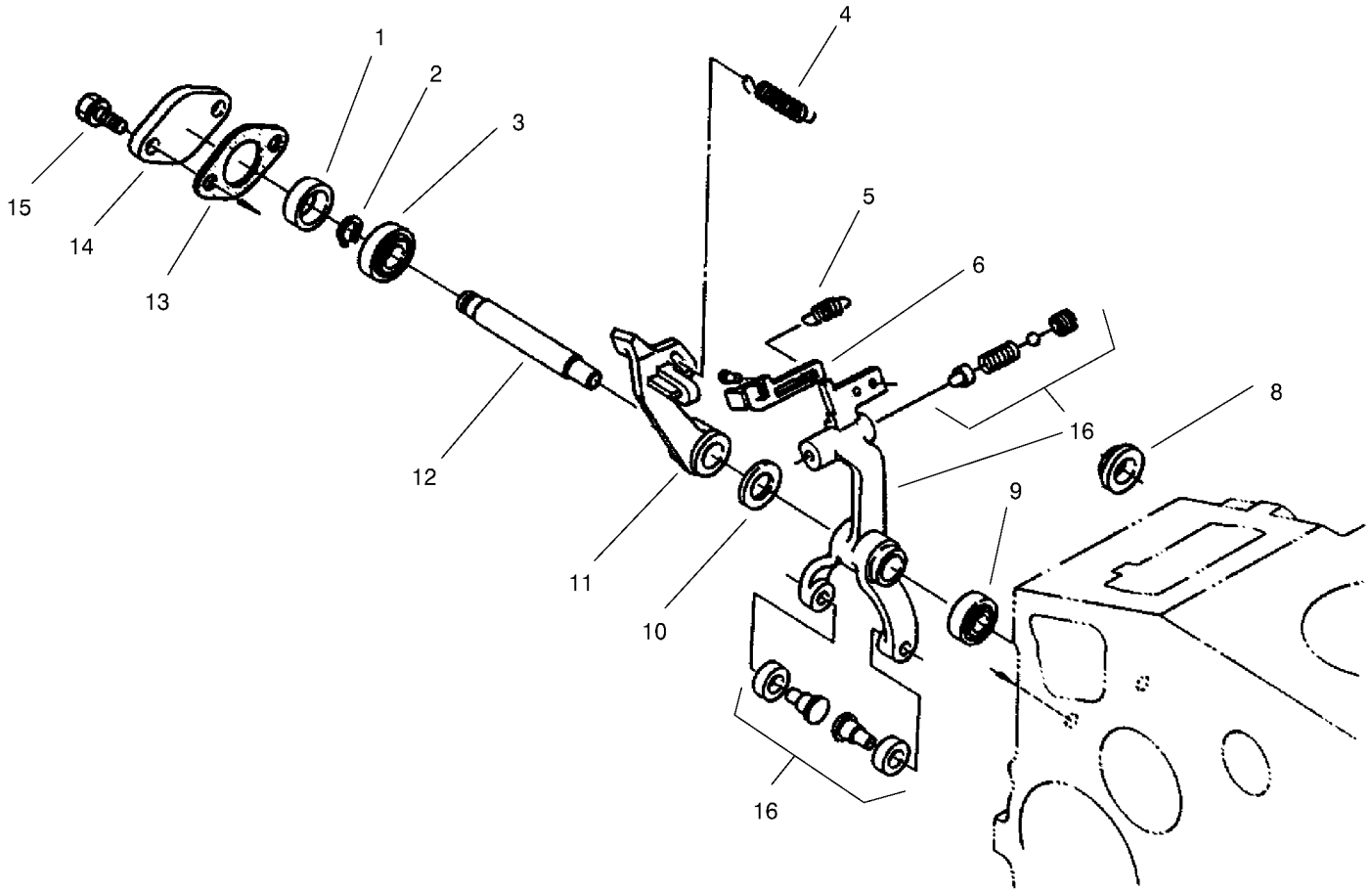
Ref	Part No.	Qty.	Description
3	98-9596	1	Joint-Eye
4	98-9361	2	Bolt
5	98-9367	4	Washer-Lock
6	98-9643	1	Injection Pump ASM
7	98-9456	1	Shim-Injection(0.2Mm)
7	98-9457	1	Shim-Injection(0.25Mm)
8	98-9458	1	Shim-Injection(0.30Mm)
9	98-9438	2	Stud
10	98-9440	2	Nut-Cap



Injection Pump Assembly (continued)

Ref	Part No.	Qty.	Description
1	98-9462	3	Element-Pump
2	98-9423	6	O-Ring
3	98-9443	3	Pin-Joint
4	98-9434	3	Flange-Sleeve
5	98-9421	3	Valve-Delivery
6	98-9424	3	Spring-Valve, Delivery
7	98-9425	3	Gasket-Valve, Delivery
8	98-9447	3	O-Ring
9	98-9652	3	Holder-Valve, Delivery
10	98-9452	6	Screw
11	98-9422	3	Tappet ASM
12	98-9433	3	Shim
13	98-9429	3	Seat-Spring, Lower
14	98-9428	3	Spring-Plunger
15	98-9427	3	Seat-Spring, Upper
16	98-9432	3	Sleeve-Control
17	98-9643	1	Injection Pump ASM(Incl. Ref. #1-16 &18-28)
18	98-9466	1	Plug
19	98-9451	1	Gasket
20	98-9445	2	Gasket
21	98-9464	1	Bolt-Joint
22	98-9446	1	Gasket
23	98-9430	1	Screw

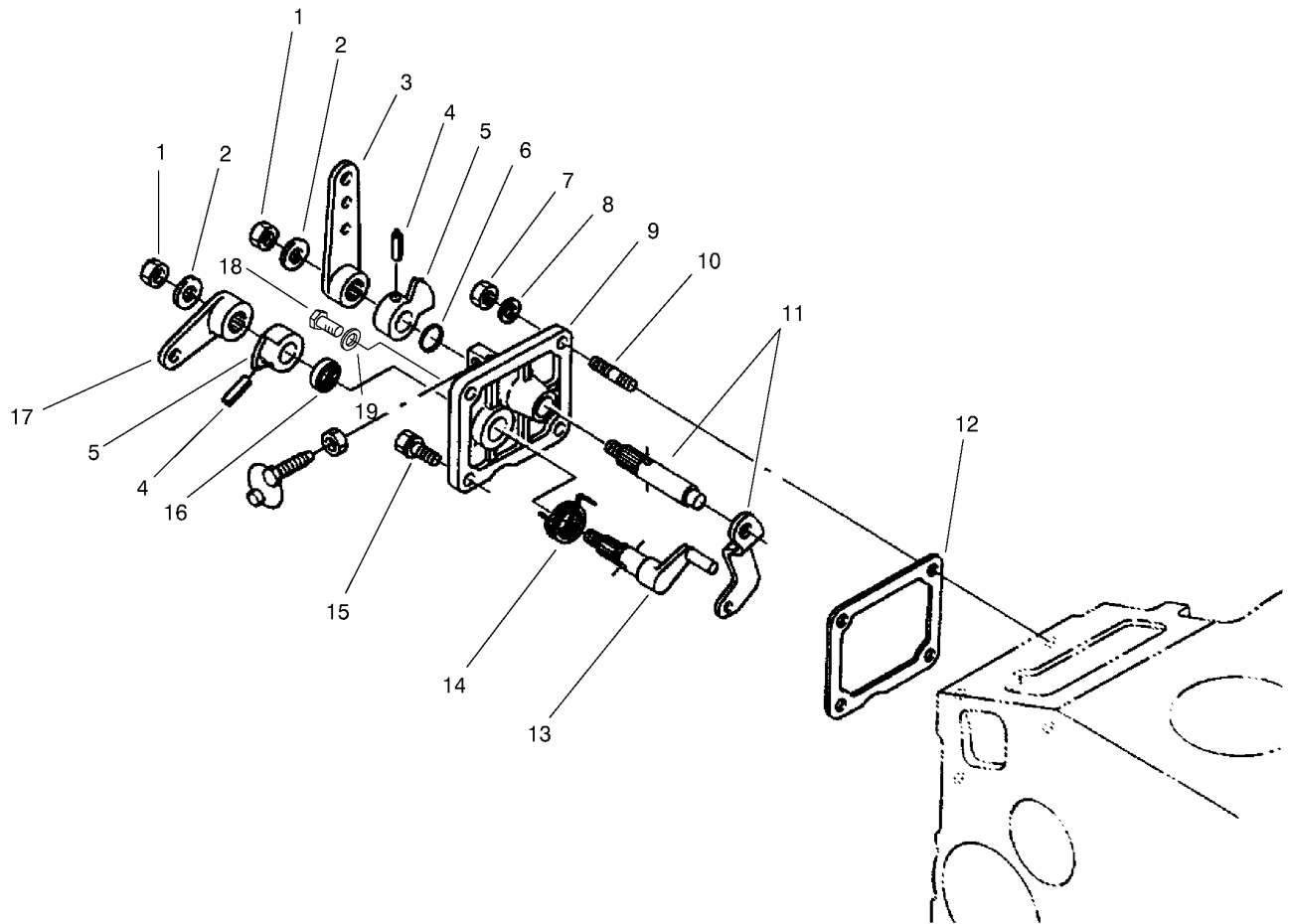
Ref	Part No.	Qty.	Description
24	98-9463	1	Rack-Control
25	98-9465	1	Plate
26	98-9442	4	Screw
27	98-9426	3	Pin-Guide, Tappet
28	98-9450	1	Pin-Clamp



Governor Assembly

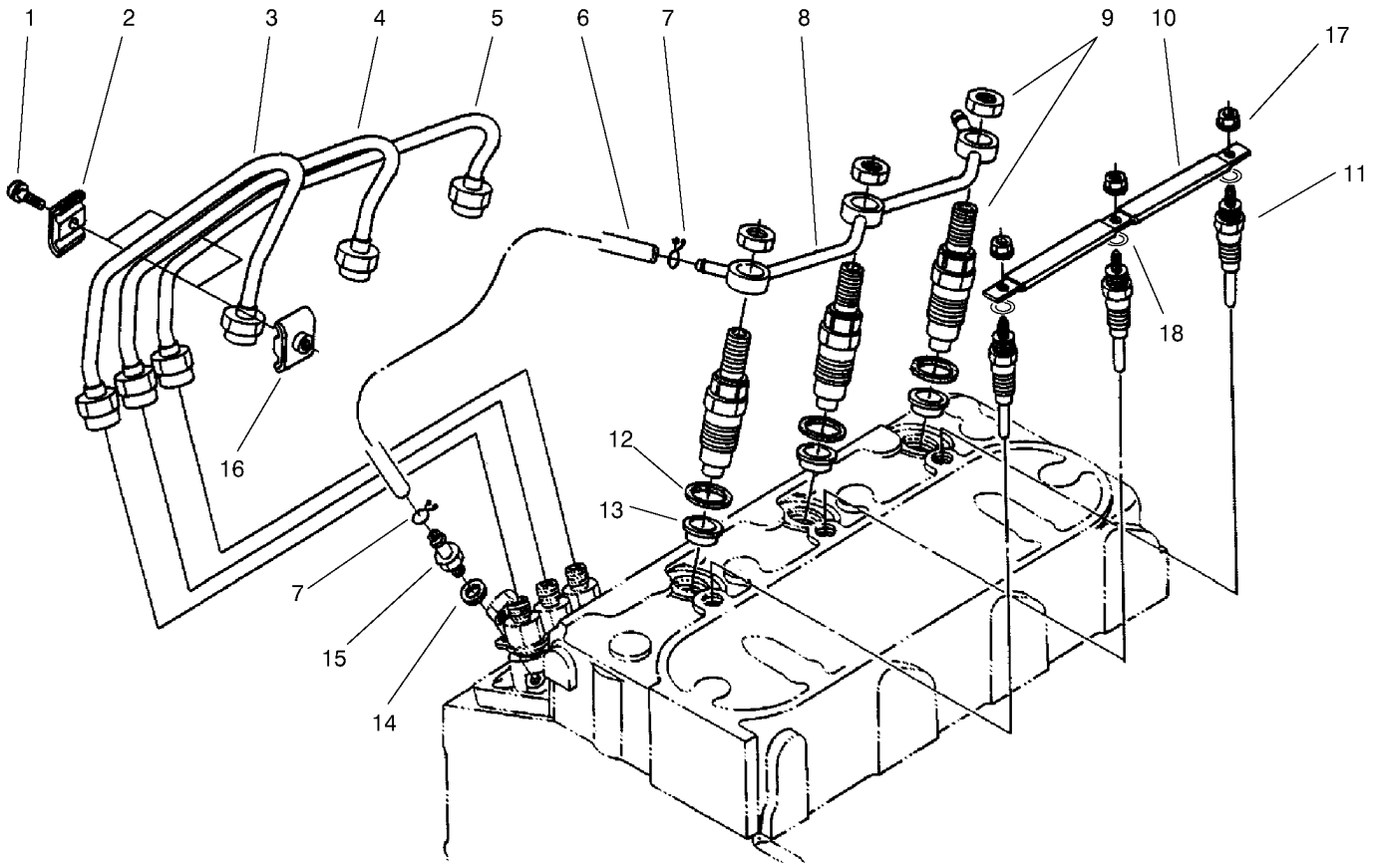
Ref	Part No.	Qty.	Description
1	98-9567	1	Collar
2	98-9369	1	Clip-Circular, External
3	98-9570	1	Bearing-Miniature
4	99-3459	1	Spring-Governor
5	98-9645	1	Spring-Start
6		1	Lever-Thrust
8	98-9568	1	Collar
9	98-9571	1	Bearing-Miniature
10	98-9593	1	Washer-Flat
11	98-9659	1	Lever-Fork
12	98-9566	1	Shaft-Lever, Fork
13	98-9682	1	Gasket
14	98-9569	1	Cover-Shaft,Fork Lever
15	98-9351	2	Bolt
16		1	Complete Lever & Fork
2*	99-3452	1	Lever & Fork ASM (Incl. Ref. #2, 3, 6, 10-12 & 16)

--	--	--	--



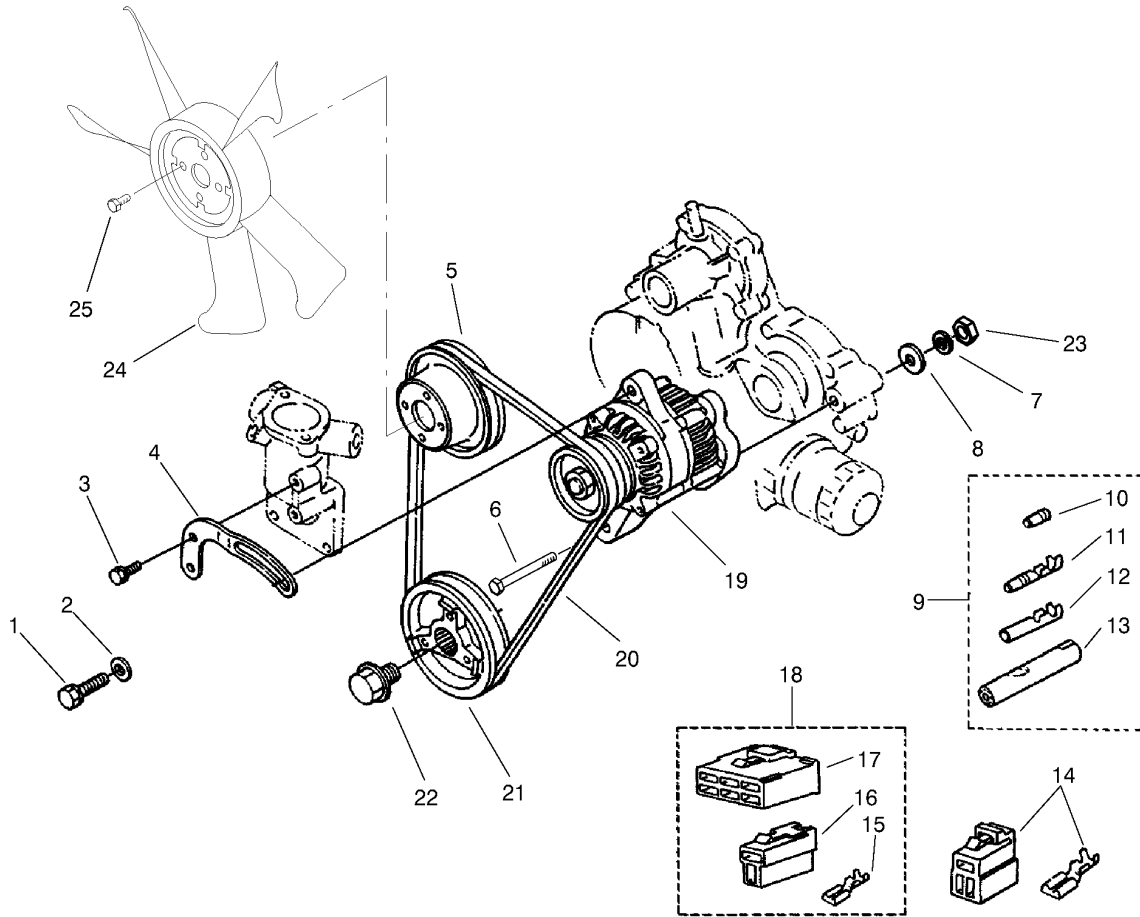
Speed Control Plate Assembly

Ref	Part No.	Qty.	Description
1	98-9589	2	Nut
2	98-9594	2	Washer-Flat
3	98-9662	1	Lever-Control, Speed
4	98-7602	2	Pin-Spring
5	98-9572	2	Lever-Control, Speed
6	98-9371	1	O-Ring
7	98-7572	2	Nut
8	98-9367	2	Washer-Lock
9	98-9661	1	Control Plate ASM (Incl. Ref. #1-6, 11, 13, 14, 16 & 17)
10	98-9362	2	Stud
11	98-9658	1	Governor Lever ASM
12	98-9637	1	Gasket
13	98-9664	1	Shaft-Lever, Stop
14	98-9472	1	Spring-Return
15	98-7692	1	Bolt
16	98-7601	1	Seal-Oil
17	98-9663	1	Lever-Stop, Engine
18	99-8348	1	Bolt
19	98-7654	1	Gasket



Nozzle Holder and Glow Plug Assembly

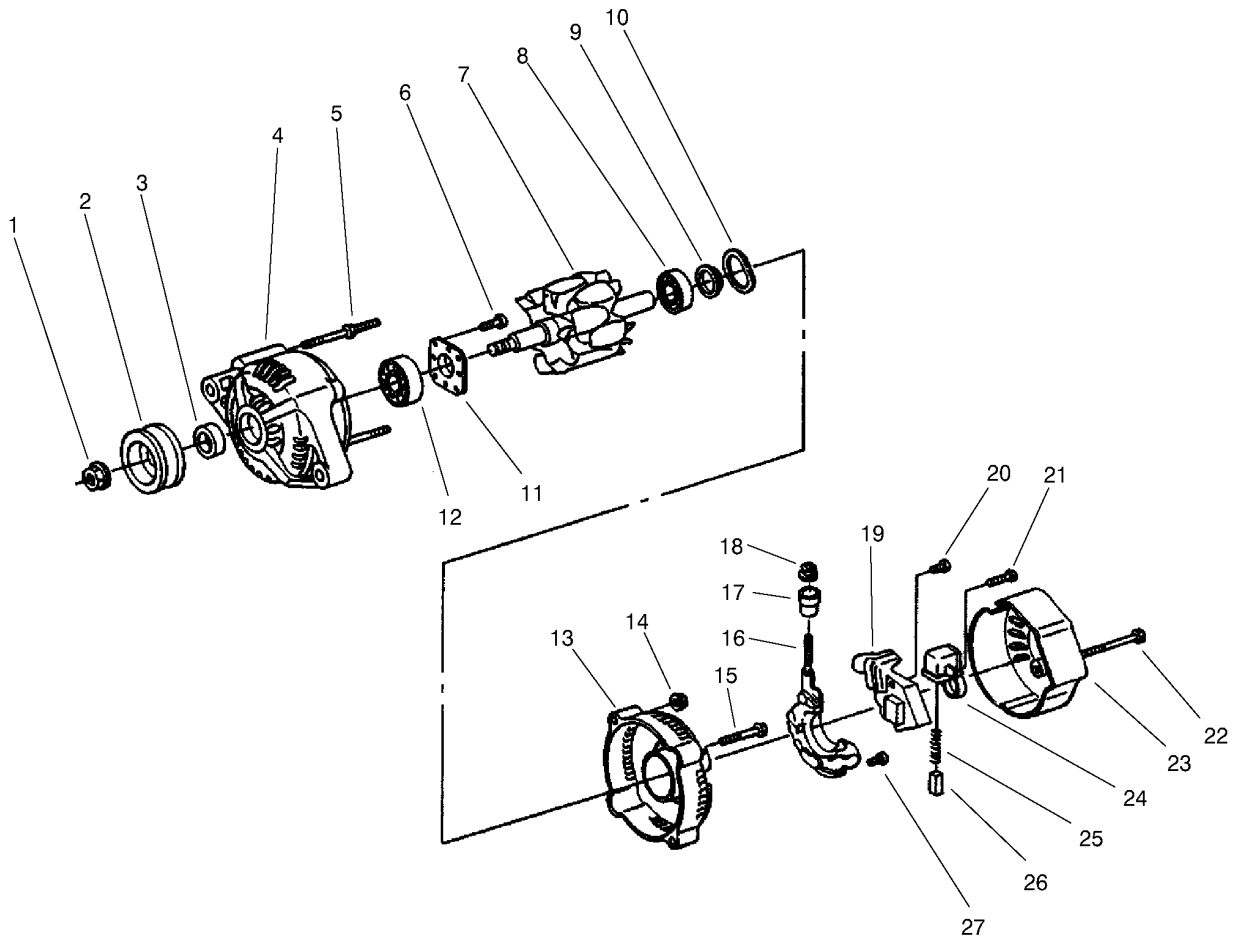
Ref	Part No.	Qty.	Description
1	98-7684	2	Screw W/Washer
2	98-7683	2	Clamp-Pipe
3	99-3460	1	Pipe-Injection
4	98-9654	1	Pipe-Injection
5	98-9655	1	Pipe-Injection
6	98-9624	1	Overflow Pipe ASM(Incl. Ref. #7)
7	98-7671	2	Clip-Pipe
8	98-9621	1	Overflow Pipe ASM
9	98-9468	3	Nozzle Holder ASM
10	98-9631	1	Cord-Glow Plug
11	98-9623	3	Plug-Glow
12	98-7676	3	Gasket
13	98-9694	3	Seat-Heat
14	98-7654	1	Gasket
15	98-9431	1	Screw-Bleed, Air
16	98-7682	2	Clamp-Pipe
17	99-8377	3	Nut-Flange
18	99-8378	3	Washer-Plain



Alternator and Pulley Assembly

Ref	Part No.	Qty.	Description
1	98-7697	1	Bolt
2	98-7698	1	Washer-Flat
3	98-7692	1	Bolt
4	98-9573	1	Stay-Dynamo
5	99-3453	1	Pulley-Fan
6	98-9360	1	Bolt
7	98-9368	1	Washer-Lock
8	98-9366	1	Washer-Flat
9	98-9700	1	Terminal ASM (Incl. Ref. #10-13)
10	98-9701	1	Terminal
11	98-9702	1	Sleeve
12	98-9703	1	Terminal
13	98-9704	1	Sleeve
14	98-9602	1	Lock Coupler ASM
15	98-9699	7	Terminal
16	98-9698	1	Connector
17	98-9697	1	Connector
18	98-9696	1	Coupler ASM(Incl. Ref. #15-17)
19	98-9474	1	Alternator ASM
20	99-3467	1	V-Belt
21	99-3456	1	Pulley-Drive, Fan
22	98-9585	1	Bolt
23	98-7737	1	Nut
24	99-3461	1	Fan

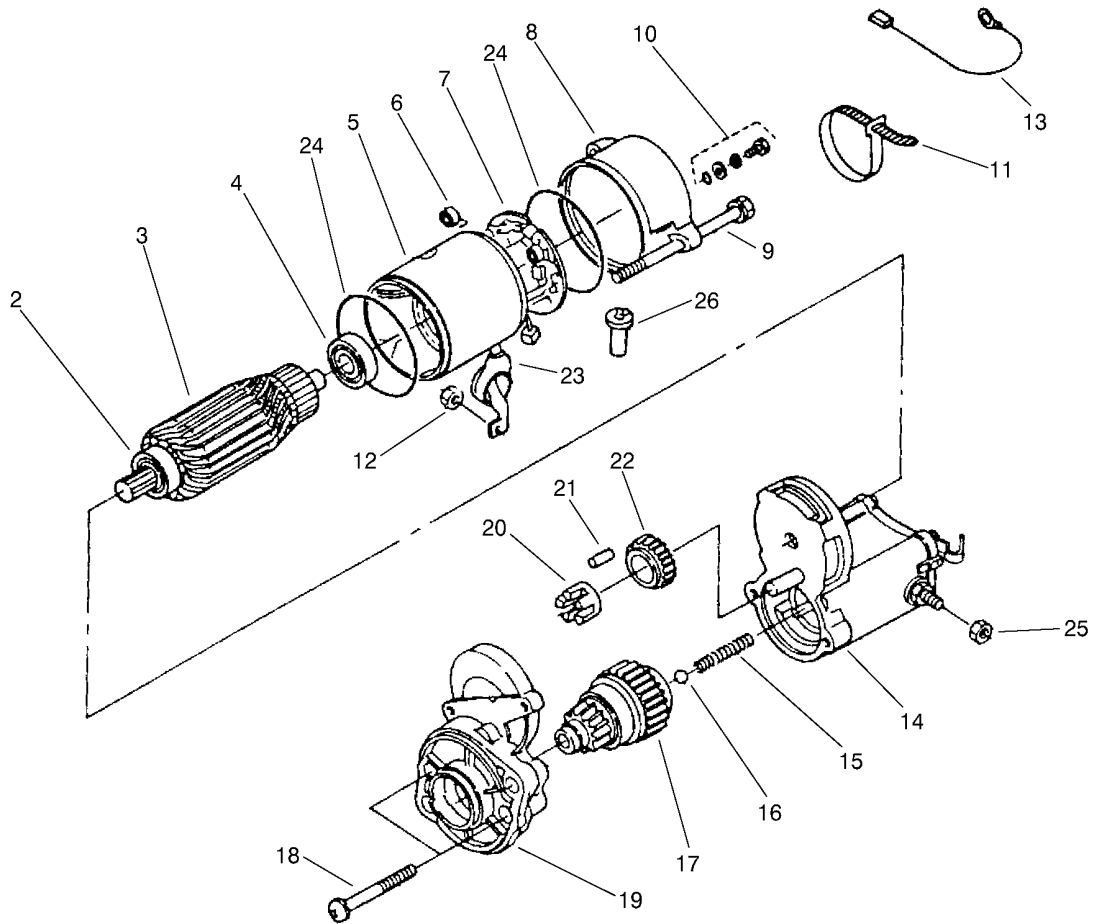
Ref	Part No.	Qty.	Description
25	33103-012	4	Screw-HHF



Alternator Assembly

Ref	Part No.	Qty.	Description
1	98-7708	1	Nut
2	98-9453	1	Pulley-Dynamo
3	98-7709	1	Collar
4	98-7714	1	Frame-End, Drive
5	98-7717	2	Bolt-Through
6	98-7716	4	Screw-RH
7	98-7710	1	Rotor
8	98-7712	1	Bearing-Ball
9	98-7711	1	Cover-Bearing
10	98-7713	1	Washer-Thrust
11	98-7715	1	Plate-Retainer
12	98-7718	1	Bearing-Ball
13	98-7719	1	Frame-End
14	98-7730	2	Nut
15	98-7731	2	Bolt
16	98-7721	1	Rectifier ASM
17	98-7722	1	Bushing-Insulation
18	98-7732	1	Nut
19	98-7733	1	Regulator ASM
20	98-7726	2	Screw-RH
21	98-7728	1	Screw-RH
22	98-7729	3	Bolt
23	98-7720	1	Cover-End
24	98-7723	1	Holder-Brush

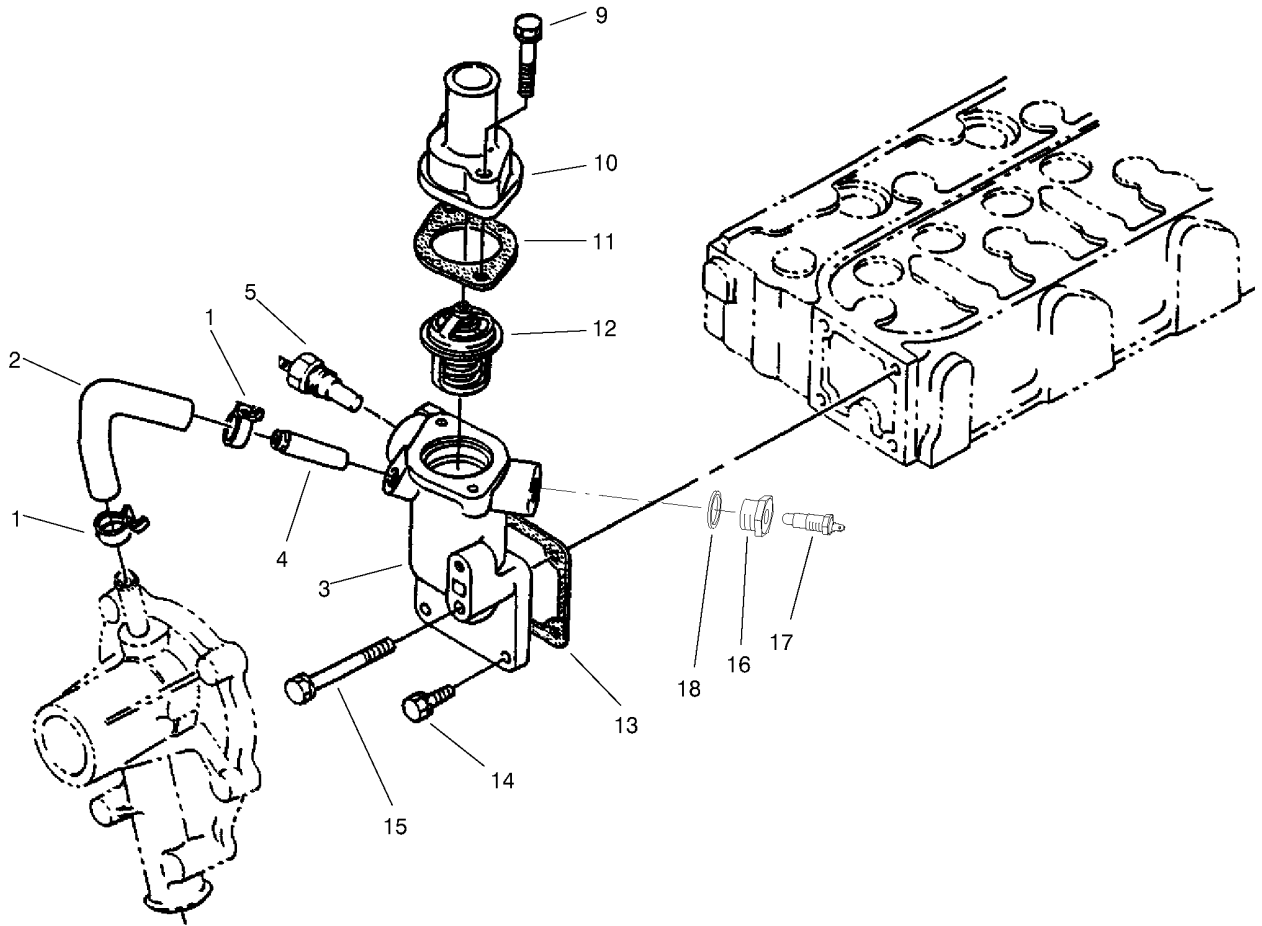
Ref	Part No.	Qty.	Description
25	98-7725	2	Spring-Brush
26	98-7724	2	Brush
27	98-7727	6	Screw-RH
②*	98-9474	1	Alternator ASM (Incl. Ref. #1-27)



Starter Assembly

Ref	Part No.	Qty.	Description
2	98-7743	1	Bearing-Ball
3	98-7742	1	Armature ASM (Incl. Ref. #2 & 4)
4	98-7744	1	Bearing-Ball
5	98-7741	1	Yoke ASM
6	98-7750	4	Spring-Brush
7	98-7749	1	Brush Holder ASM (Incl. Ref. #6)
8	98-9550	1	Frame-End
9	98-9419	2	Bolt
10	98-7758	2	Bolt ASM
11	98-9712	1	Band-Cover
12	98-9626	1	Nut-Hex
13	98-9711	1	Cord-Stop, Solenoid
14	98-9709	1	Magnetic Switch ASM
15	98-7754	1	Spring
16	98-7755	1	Ball
17	98-9621	1	Clutch
18	98-7756	2	Bolt
19	98-9623	1	Frame-End, Drive
20	98-7752	1	Retainer
21	98-7753	5	Roller
22	98-7751	1	Gear
23	98-9625	1	Cover-Cord
24	98-7757	2	O-Ring
25	98-9707	1	Nut

Ref	Part No.	Qty.	Description
26	98-7759	1	Pipe-Drain
②*	98-9705	1	Starter ASM (Incl. Ref. #2-26)



Water Pump Assembly

Ref	Part No.	Qty.	Description
1	99-3455	1	Water Pump ASM (Incl. Ref. #2-6)
2	99-3516	1	Flange-Pump, Water
3	99-3517	1	Bearing
4	98-9577	1	Pipe-Return, Water
5	99-3518	1	Seal ASM
6	99-3519	1	Impeller-Water
7	99-3454	1	Gasket-Pump, Water
8	33103-030	1	Bolt
9	98-9357	4	Bolt
10	98-9717	2	Clamp
11	98-9574	1	Pipe-Water
12	98-9716	1	Pipe-Water

NOTES

