



Groundsmaster[®] 3500-D

Model No. 30821 - 220000801 and up.

Parts Catalog

Ordering Replacement Parts

To order replacement parts, please supply the part number, the quantity, and the description of each part desired.

Understanding Reference Numbers

Each identified part in an illustration has a reference number. The reference number for a part also appears in the parts list, along with other information about the part.

This catalog uses two special reference number formats, one to indicate parts in a service assembly and another to indicate the quantity of a given part in an illustration.

Service Assembly Reference Numbers

Parts in service assemblies have reference numbers in the form a:b. The a represents the reference number of the entire service assembly and the b represents a sequential number unique to each part within the service assembly.

For example, a wheel assembly might be identified by reference number 6, the tire by 6:1, the valve by 6:2, and the wheel by 6:3. When you order the assembly identified by reference number 6, you receive all parts identified by reference numbers 6:1, 6:2, and 6:3. However, you may also order any part individually. Reference numbers of this type appear in illustrations and in part lists.

Reference Numbers Indicating Quantity

In an illustration, if a reference number indicates more than one part, the reference number has the form nX y. The n represents the quantity of the part, the X is the multiplication symbol, and the y represents the reference number.

For example, in an illustration, the reference number 2X 37 means that two of the parts identified by reference number 37 are indicated.

Contents

Description	Page	Description	Page
Frame and Platform Assembly 4	Deck Motor Assembly 40
Front Wheel and Brake Assembly 5	Hydraulic Motor Assembly No. 105-9820 41
Hydraulic Wheel Motor Assembly No. 75-9990 6	Battery Assembly 42
Hydraulic Motor Assembly No. 95-8693 7	Parking Brake Assembly 43
Brake Assembly No. 104-7705 8	Crankcase Assembly 44
Steering Column Assembly 9	Oil Pan Assembly 45
Steering Control Assembly No. 104-0474 10	Cylinder Head Assembly 46
Rear Fork and Tire Assembly 11	Grease and Oil Filter Assembly 47
Hydraulic Cylinder Assembly No. 94-8141 12	Filter, Oil Cooler, and Pipe Assembly 48
Hydraulic Motor Assembly No. 95-8694 13	Head Cover Assembly 49
Control Panel Assembly 14	Dipstick Assembly 50
Front Platform Assembly 15	Main Bearing Case Assembly 51
Traction Pedal Assembly 16	Camshaft Assembly 52
Control Valve Installation Assembly 17	Piston and Crankshaft Assembly 53
Control Valve Assembly No. 95-8581 18	Flywheel Assembly 54
Rear Liftarm Assembly 19	Fuel Camshaft Assembly 55
Hydraulic Cylinder Assembly No. 95-8978 21	Engine Stop Lever Assembly 56
Neutral Arm Assembly 22	Stop Solenoid and Fuel Pump Assembly 57
Engine Assembly 23	Injection Pump Installation Assembly 58
Air Cleaner and Muffler Assembly 24	Injection Pump Assembly No. 98-9643 59
Radiator Assembly 25	Governor Assembly 60
Hood-Screen Assembly 26	Speed Control Plate Assembly 61
Fuel System Assembly 27	Nozzle Holder and Glow Plug Assembly 62
Water / Fuel Filter Assembly No. 98-9305 28	Nozzle Holder Assembly No. 98-9468 63
Manifold Block Installation Assembly 29	Alternator and Pulley Assembly 64
Manifold Block Assembly No. 104-4876 30	Alternator Assembly No. 98-9474 65
Hydraulic Tank Assembly 31	Starter Mount Assembly 66
Hydrostat Assembly 32	Starter Assembly No. 98-9705 67
Piston Pump Assembly No. 104-4832 34	Water Flange and Thermostat Assembly 68
Hydraulic Pump Assembly No. 100-1646 36	Water Pump Assembly 69
Carrier Assembly 37	Valve and Rocker Arm Assembly 70
Scissor Assembly 39	Exhaust Manifold and Gasket Assembly 71
		Turbo Charge Assembly 72

Part Description Abbreviations

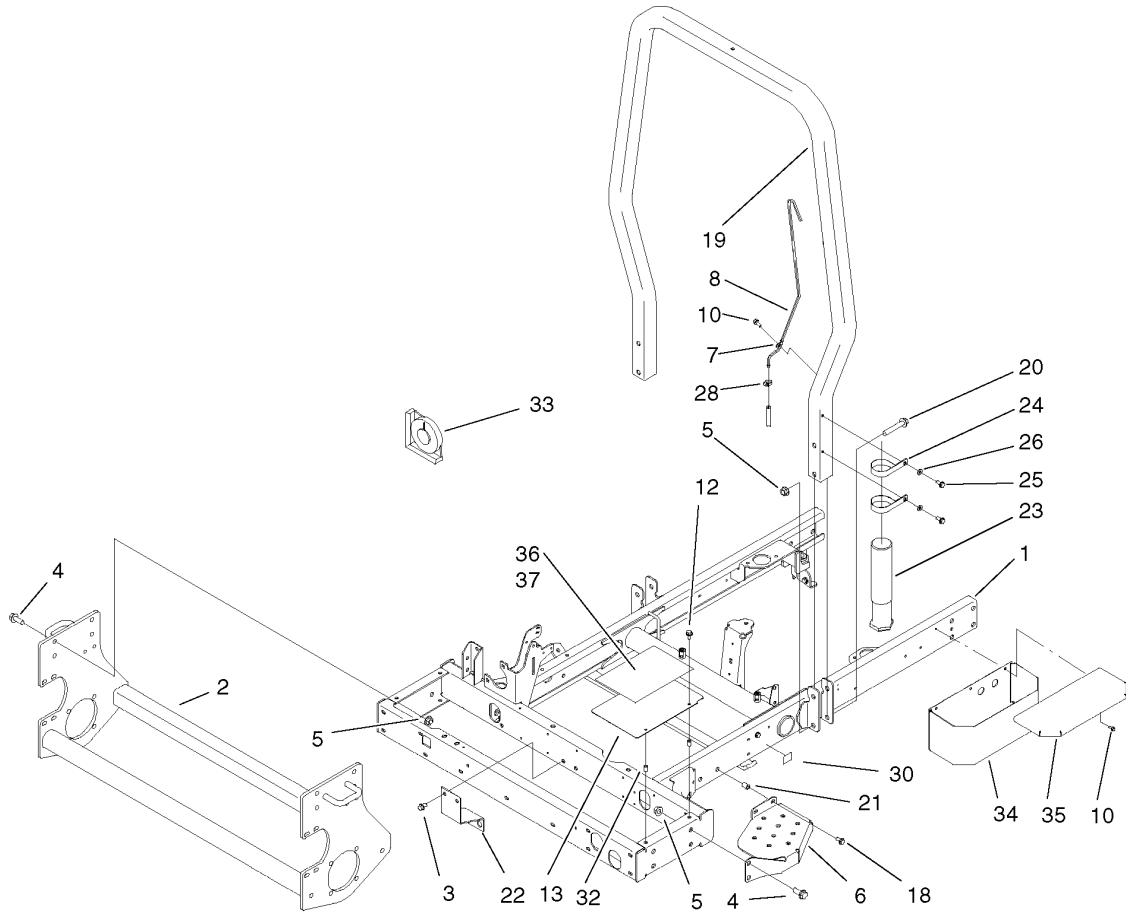
Part descriptions in this catalog may include the following abbreviations.

AR.	as required	HYD.	hydraulic
ASM.	assembly	LH.	left hand
BBC.	blade brake clutch	NI.	nylon insert
CARR.	carriage	NPTF.	national pipe thread fine
DEG.	degrees	PFH.	phillips flat head
EXT.	external	PPH.	phillips pan head
FH.	flat head	PPHTF.	phillips pan head thread forming
GA.	gauge	PRH.	phillips round head
HD.	heavy-duty	PTH.	phillips truss head
HF.	hex flange	PTO.	power-take-off
HH.	hex head	RH.	right hand
HHF.	hex head flange	ROPS.	roll-over protection system
HHFTF.	hex head flange thread forming	SFH.	slotted fillister head
HJ.	hex jam	SHH.	slotted hex head
HLH.	hex lag head	SHWH.	slotted hex washer head
HOC.	height-of-cut	SPH.	slotted pan head
HSBH.	hex socket button head	SQH.	square head
HSFH.	hex socket flat head	SRH.	slotted round head
HSH.	hex socket head	STD.	standard
HWH.	hex washer head	TAP.	self tapping
HWHTF.	hex washer head thread forming	TTH.	torx truss head

Footnotes

❶ Not serviced separately

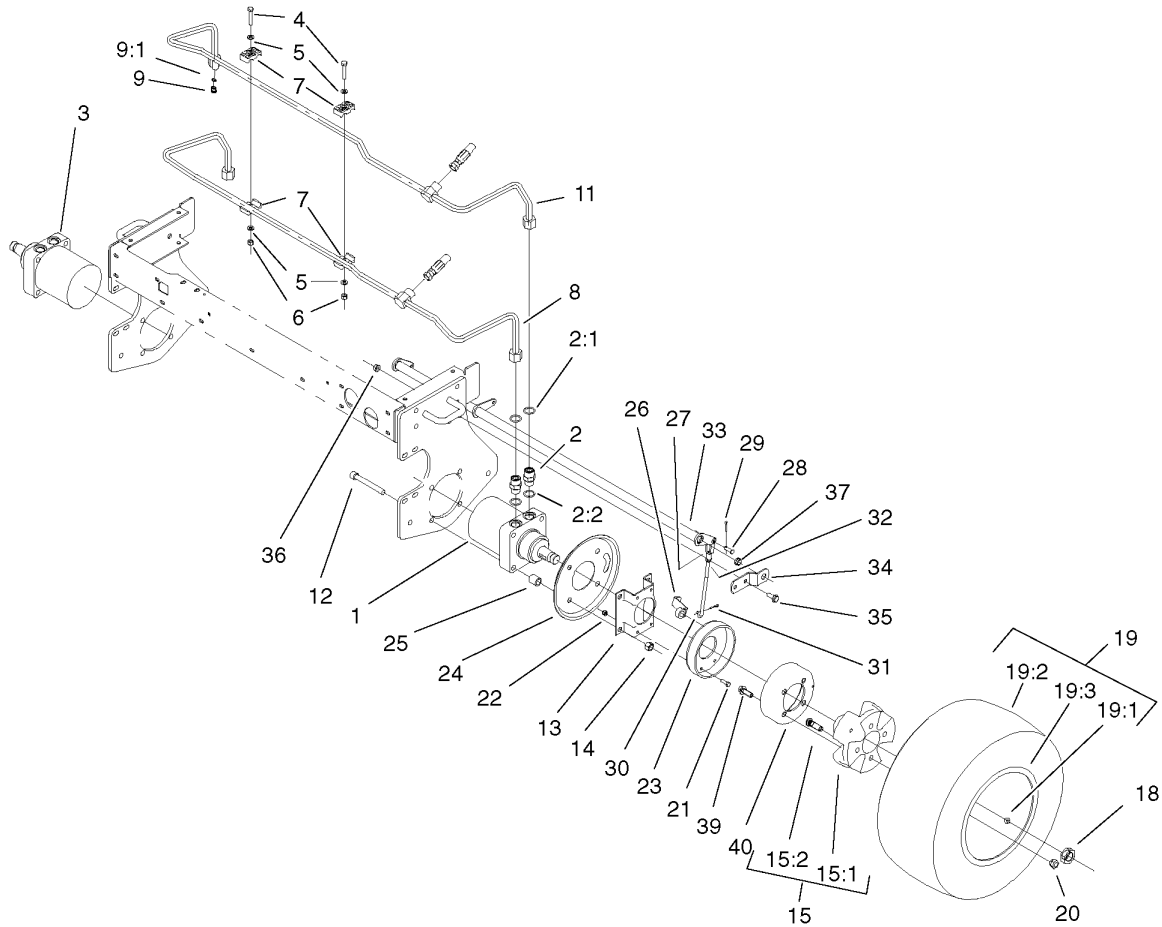
❷ * Not Illustrated



Frame and Platform Assembly

Ref	Part No.	Qty.	Description
1	99-3610-03	1	Frame
2	95-8568-03	1	Frame-Lower
3	3274-80	2	Screw-HH
4	3234-38	8	Screw-HHF
5	32128-49	12	Nut-HHF
6	99-3375-03	1	Step
7	2412-72	3	Clip-Closed, Insulated
8	95-8615	1	Tube-Breather
10	32144-10	11	Screw-HWH
12	3234-4	2	Screw-HHF
13	104-0468-01	1	Cover-Frame
18	3234-5	2	Screw
19	99-3350-03	1	Tube-ROPS
20	3234-40	4	Screw-Hfh
21	32148-8	2	Insert-Threaded
22	95-8598-03	1	Bracket-Bulkhead, Scissor
23	74-0720	1	Tube-Manual
24	2412-133	2	R-Clamp
25	32144-70	2	Screw-HH
26	3256-23	2	Washer-Flat
28	2412-108	1	Clamp-Worm
30	105-4674	1	Decal-Noise, Ce
32	32148-6	2	Nut-Insert
33	99-3503	1	Indicator-Angle

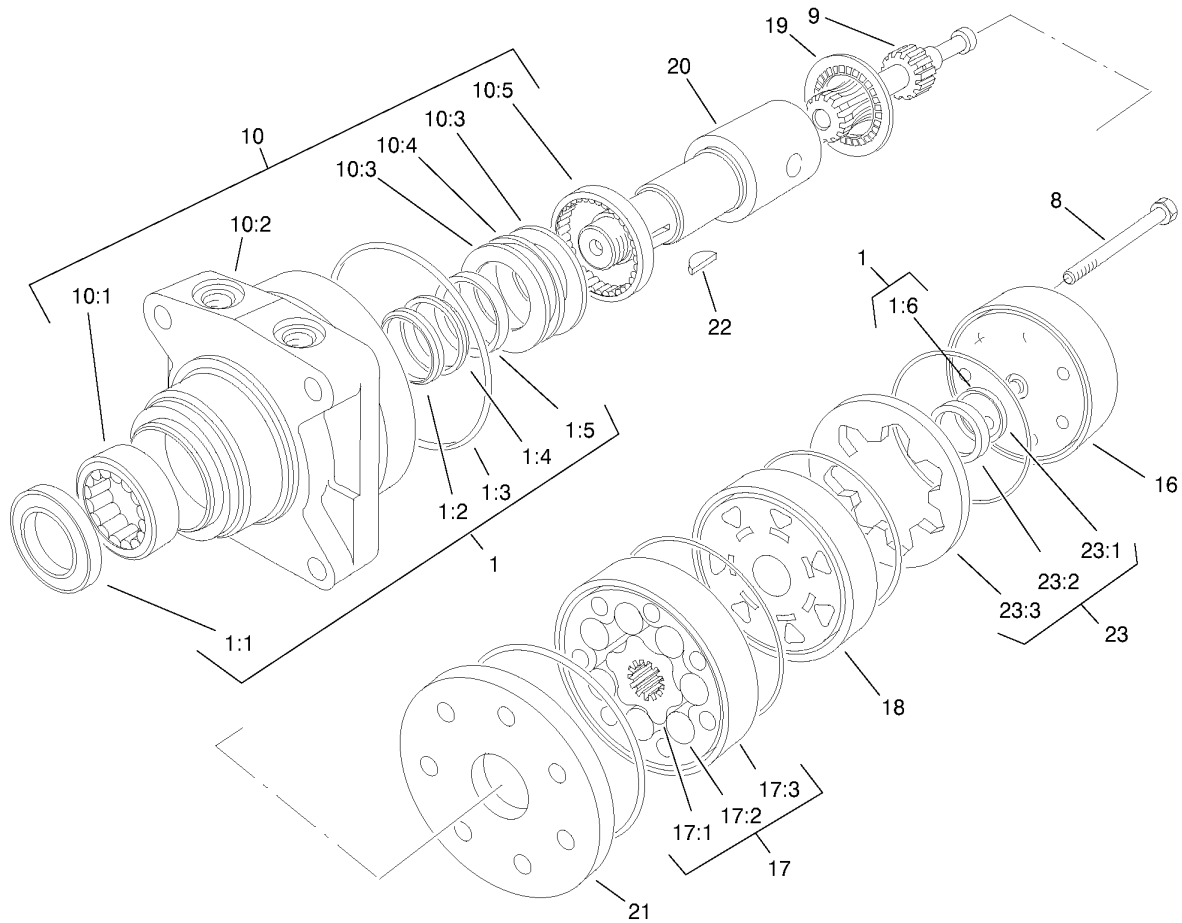
Ref	Part No.	Qty.	Description
34	104-4634-03	1	Toolbox ASM
35	104-4633-03	1	Toolbox Cover ASM
36	104-0484	1	Decal
37	99-3560	1	Decal-Danger, Ce



Front Wheel and Brake Assembly

Ref	Part No.	Qty.	Description
1	75-9990	1	HYD Motor ASM
2	340-7	4	Adapter
2:1	237-65	1	O-Ring
2:2	237-80	1	O-Ring
3	95-8693	1	HYD Motor ASM
4	322-9	2	Screw-HH
5	3256-23	4	Washer-Flat
6	3296-29	2	Nut-Lock, NI
7	56-7971	4	Clamp-Tube
8	95-8783	1	Tube ASM
9	353-990	1	Plug
9:1	237-78	1	O-Ring
11	95-8784	1	Tube ASM
12	3274-99	8	Screw-HSH
13	84-2000-03	2	Bracket-Brake
14	3296-23	8	Nut-Lock, NI
15		2	Wheel Hub / Stud ASM
15:1	104-0462-03	1	Hub-Wheel
15:2	10-6830	4	Stud-Type, Drive
18	26-3790	2	Nut-Lock
19		2	Tire & Wheel ASM
19:1	232-27	1	Stem-Valve
19:2	104-0451	1	Tire
19:3	104-0452	1	Rim-Wheel

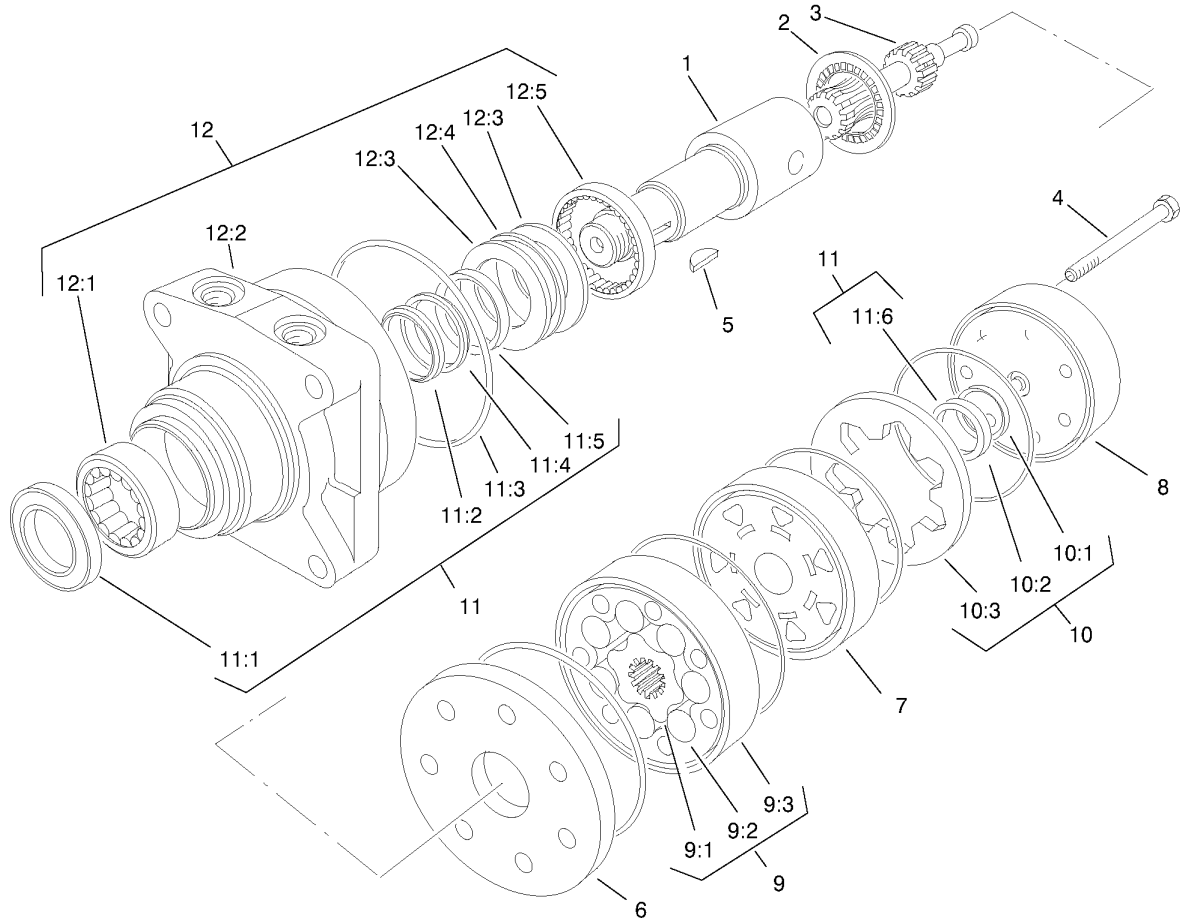
Ref	Part No.	Qty.	Description
20	242-50	8	Nut-Lug
21	321-5	8	Screw-HH
22	3296-42	8	Nut-Lock, NI
23	104-7705	2	Brake ASM
24	104-0485-03	2	Shield-Wheel
25	92-1715	8	Spacer
26	93-6850	2	Lever-Brake
27	282-2	2	Yoke
28	283-1	2	Pin-Yoke
29	3272-10	2	Pin-Cotter
30	104-4627	2	Rod-Adjusting
31	3272-6	2	Pin-Cotter
32	3220-2	2	Nut
33	104-4625-03	1	Brake Pivot Shaft ASM
34	95-8683	2	Bracket-Pivot, Brake
35	3234-11	4	Screw-HHF
36	32128-43	4	Nut-Flange
37	256-156	2	Bushing-Flange
39	3274-105	8	Screw-HSBH
40	104-4809	2	Drum-Brake



Hydraulic Wheel Motor Assembly No. 75-9990

Ref	Part No.	Qty.	Description
1	76-0800	1	Seal Kit
●1:1		1	Seal-Dirt & Water
●1:2		1	Washer-Back-Up
●1:3		5	Ring-Seal
●1:4		1	Washer-Back-Up
●1:5		1	Seal-Inner
●1:6		1	Commutator
8	76-1010	7	Screw
9	76-0960	1	Link-Drive
10	76-0810	1	Housing ASM
●10:1		1	Bearing
●10:2		1	Housing
●10:3		2	Washer-Thrust
●10:4		1	Bearing-Thrust
●10:5		1	Bearing
16	76-0940	1	End Cover ASM
17	76-0970	1	Set-Rotor
●17:1		1	Rotor
●17:2		7	Vane
●17:3		1	Stator
18	76-0840	1	Manifold
19	76-0850	1	Bearing-Thrust
20	76-0860	1	Shaft-Coupling
21	76-0870	1	Plate-Wear

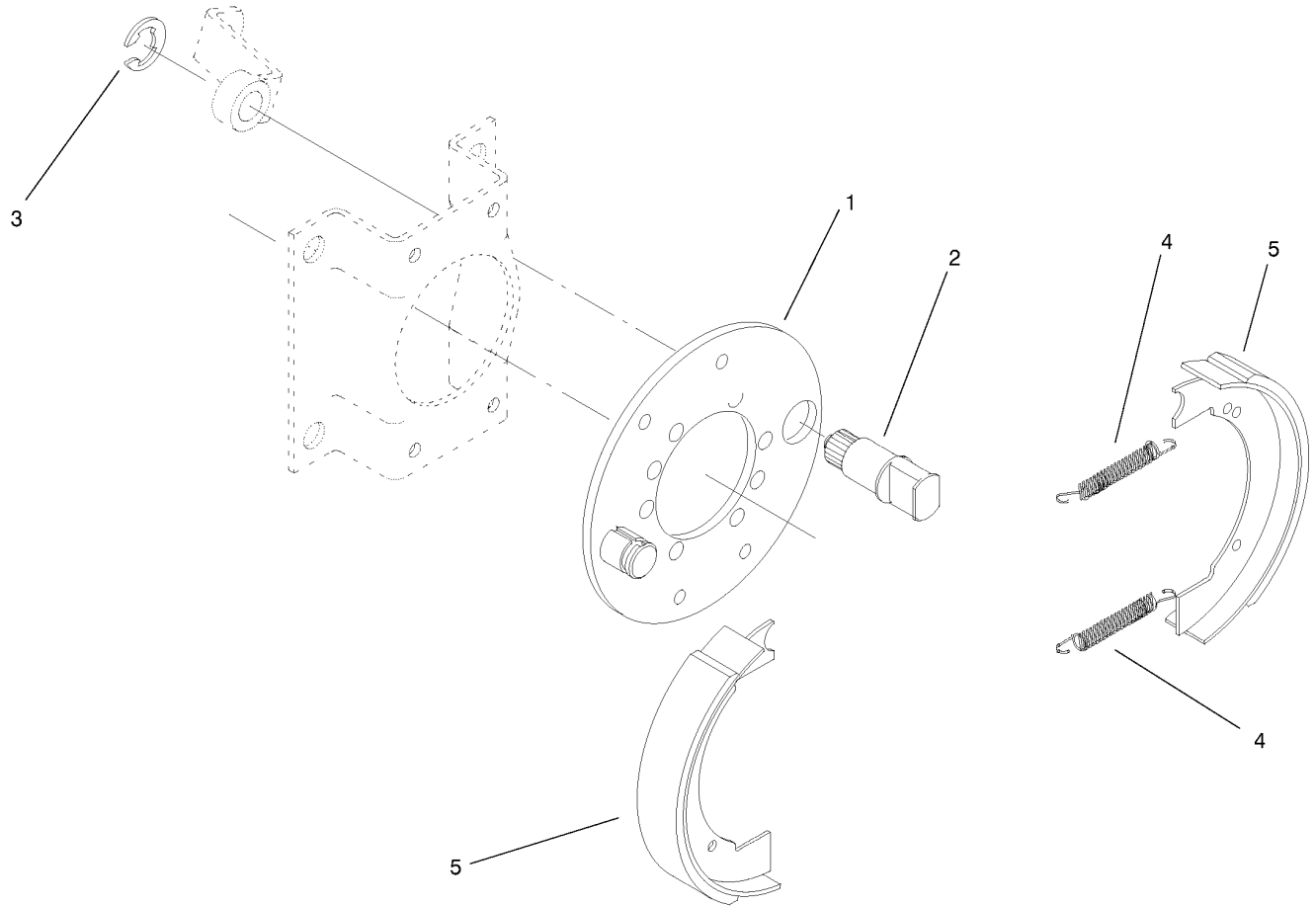
Ref	Part No.	Qty.	Description
22	3257-42	1	Key-Woodruff
23	76-0880	1	Commutator ASM
●23:1		1	Seal-Commutator
●23:2		1	Commutator
●23:3		1	Ring-Commutator



Hydraulic Motor Assembly No. 95-8693

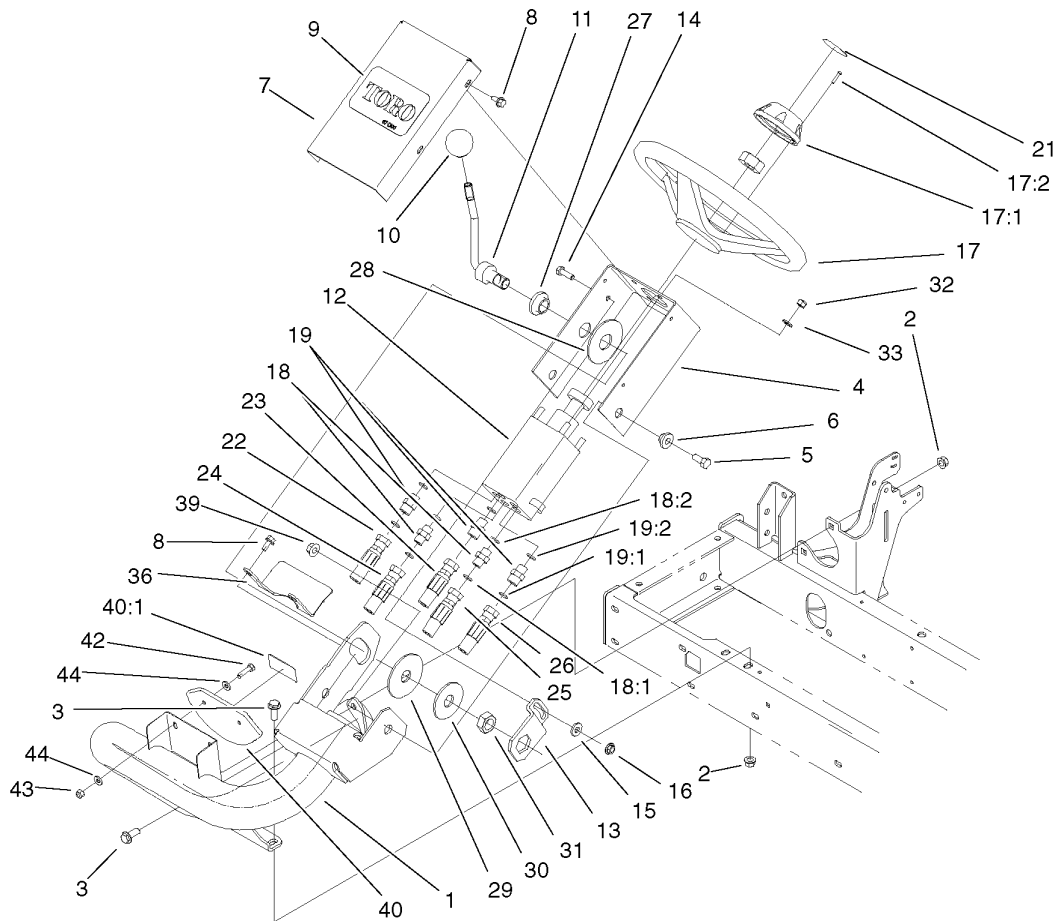
Ref	Part No.	Qty.	Description
1	76-0860	1	Shaft-Coupling
2	76-0850	1	Bearing-Thrust
3	76-0960	1	Link-Drive
4	76-1010	7	Screw
5	3257-42	1	Key-Woodruff
6	76-0870	1	Plate-Wear
7	99-3535	1	Manifold
8	76-0940	1	End Cover ASM
9	76-0970	1	Set-Rotor
●9:1		1	Rotor
●9:2		7	Vane
●9:3		1	Stator
10	76-0880	1	Commutator ASM
●10:1		1	Seal-Commutator
●10:2		1	Commutator
●10:3		1	Ring-Commutator
11	76-0800	1	Seal Kit
●11:1		1	Seal-Dirt & Water
●11:2		1	Washer-Back-Up
●11:3		5	Ring-Seal
●11:4		1	Washer-Back-Up
●11:5		1	Seal-Inner
●11:6		1	Commutator
12	76-0810	1	Housing ASM

Ref	Part No.	Qty.	Description
●12:1		1	Bearing
●12:2		1	Housing
●12:3		2	Washer-Thrust
●12:4		1	Bearing-Thrust
●12:5		1	Bearing



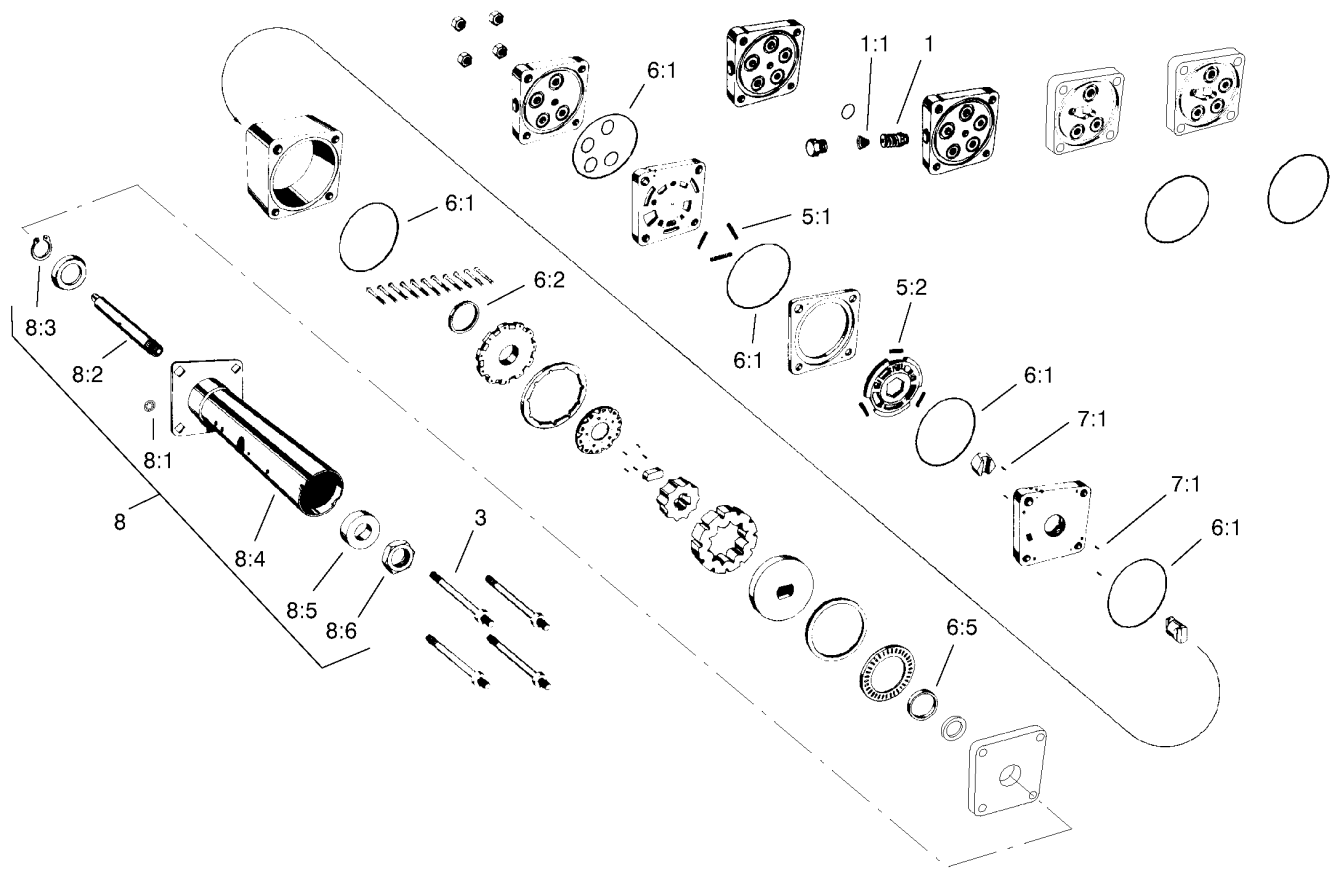
Brake Assembly No. 104-7705

Ref	Part No.	Qty.	Description
1	70-9870	1	Plate-Backing
2	104-7707	1	Shaft-Cam, Brake
3	104-7706	1	E-Ring, Bowed
4	70-9880	2	Spring-Return
5	70-9840	2	Shoe-Brake



Steering Column Assembly

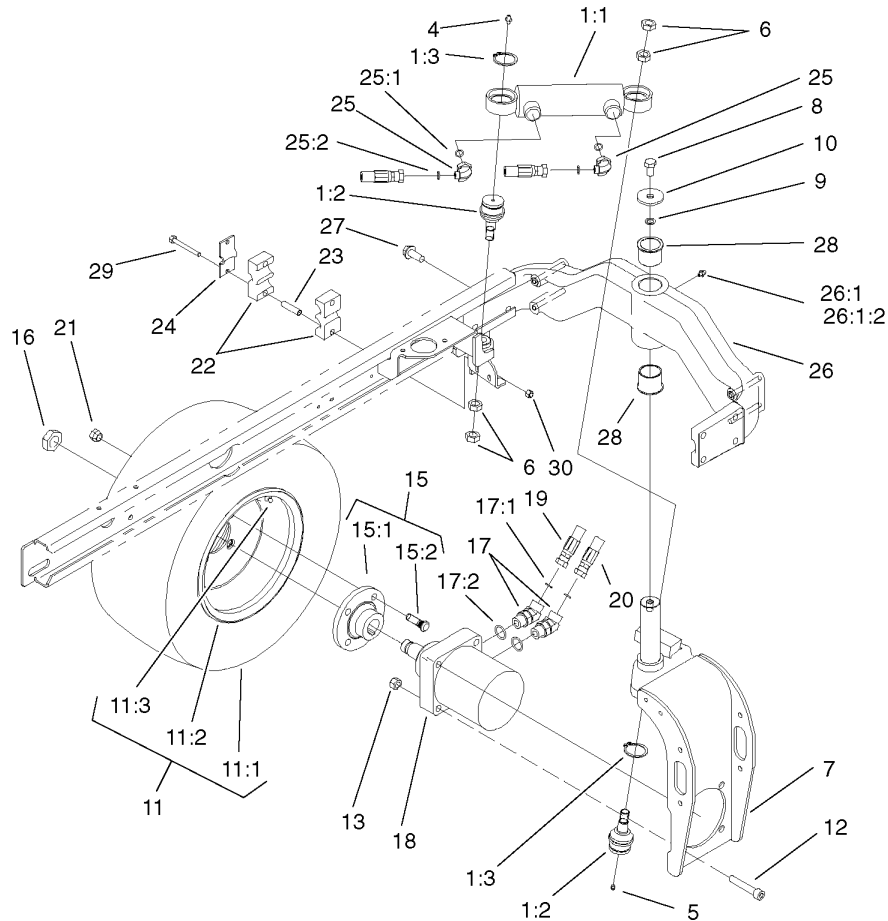
Ref	Part No.	Qty.	Description	Ref	Part No.	Qty.	Description
1	105-8536-01	1	Arm-Steering	19:2	237-42	1	O-Ring
2	32128-43	4	Nut-Flange	21	68-5370	1	Decal-Toro
3	3234-11	4	Screw-HHF	22	95-8842	1	Hose ASM
4	95-8793-01	1	Bracket-Valve, Steering	23	95-8843	1	Hose ASM
5	323-5	2	Screw-HH	24	100-4892	1	Hose ASM
6	93-5988	2	Hub-Pivot	25	100-4893	1	Hose ASM
7	95-8794-01	1	Cover-Valve, Steering	26	95-8846	1	Hose ASM
8	32144-10	5	Screw-HWH	27	99-3502	1	Boss
9	67-1300	1	Decal-Logo, Toro	28	31-0390	1	Disc-Friction
10	233-48	1	Knob	29	82-9010	1	Disc-Friction
11	95-8798-03	1	Lever-Steering	30	80-2930	1	Washer-Flat
12	104-0474	1	Control-Steering	31	3218-7	1	Nut-Jam
13	80-2880	1	Bracket-Tilt	32	3296-4	4	Nut-Lock, NI
14	322-5	1	Screw-HH	33	3256-23	4	Washer-Flat
15	3256-3	1	Washer-Flat	36	99-3405-01	1	Shield-Steering
16	32128-44	1	Nut	39	32128-21	2	Nut-HF
17	68-5130	1	Wheel-Steering	40	100-4929	1	Slope Indicator ASM
17:1	68-5140	1	Cap-Wheel, Steering	40:1	100-4837	1	Decal-Danger
17:2	32144-21	1	Screw	40:1	100-4933	1	Decal-Danger
18	340-1	2	Adapter	42	321-7	2	Screw-HH
18:1	237-35	1	O-Ring	43	3296-42	2	Nut-Lock, NI
18:2	237-42	1	O-Ring	44	3256-22	4	Washer-Flat
19	340-2	3	Fitting-HYD, Straight				
19:1	237-22	1	O-Ring				



Steering Control Assembly No. 104-0474

Ref	Part No.	Qty.	Description
1	99-3523	1	Cartridge-Valve, Relief
●1:1		1	Spring-Coil
3	99-3524	4	Bolt-Special
5	66-9970	1	Kit-Spring
●5:1		3	Spring
●5:2		3	Spring
6	66-9980	1	Kit-Seal
●6:1		5	Ring-Seal
●6:2		1	Seal-Commutator
●6:5		1	Seal-Face
7	66-9990	1	Kit-Roller, Needle
●7:1		9	Pin-Alignment
8	104-0475	1	Column ASM
8:1	92-7316	4	Nut-Push On
●8:2		1	Shaft-Input
●8:3		1	Ring-Retaining
●8:4		1	Upper Cover & Jacket
●8:5		1	Bushing
8:6	47-6990	1	Nut

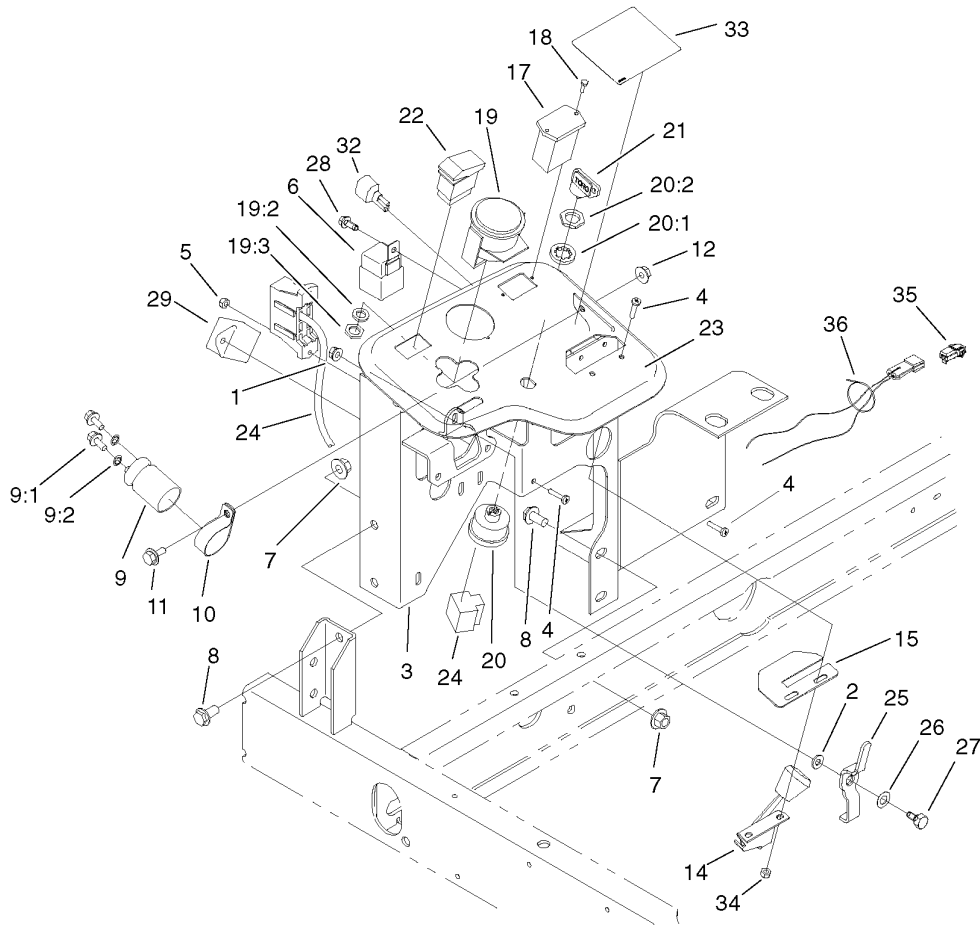
--	--	--	--



Rear Fork and Tire Assembly

Ref	Part No.	Qty.	Description
1		1	Steering Cylinder/Balljoint ASM
1:1	94-8141	1	HYD Cylinder ASM
1:2	92-5838	2	Joint-Ball
1:3	32151-104	2	Ring-Retaining, EXT
4	302-5	1	Fitting-Grease
5	302-59	1	Plug-Threaded
6	3220-6	4	Nut-Jam
7	95-8905-01	1	Fork-Rear
8	325-3	1	Screw-HH
9	3255-2	1	Washer-Lock/EXT
10	75-7730	1	Washer-Thrust
11		1	Tire & Wheel ASM
11:1	95-8656	1	Tire
11:2	95-8657	1	Rim-Wheel
11:3	232-27	1	Stem-Valve
12	3274-93	4	Screw-HSH
13	3296-23	4	Nut-Lock, NI
15		1	Wheel Hub / Stud ASM
15:1	10-6870-03	1	Hub-Wheel
15:2	10-6830	4	Stud-Type, Drive
16	26-3790	1	Nut-Lock
17	340-14	2	Fitting-HYD, 45Ø
17:1	237-65	1	O-Ring
17:2	237-80	1	O-Ring

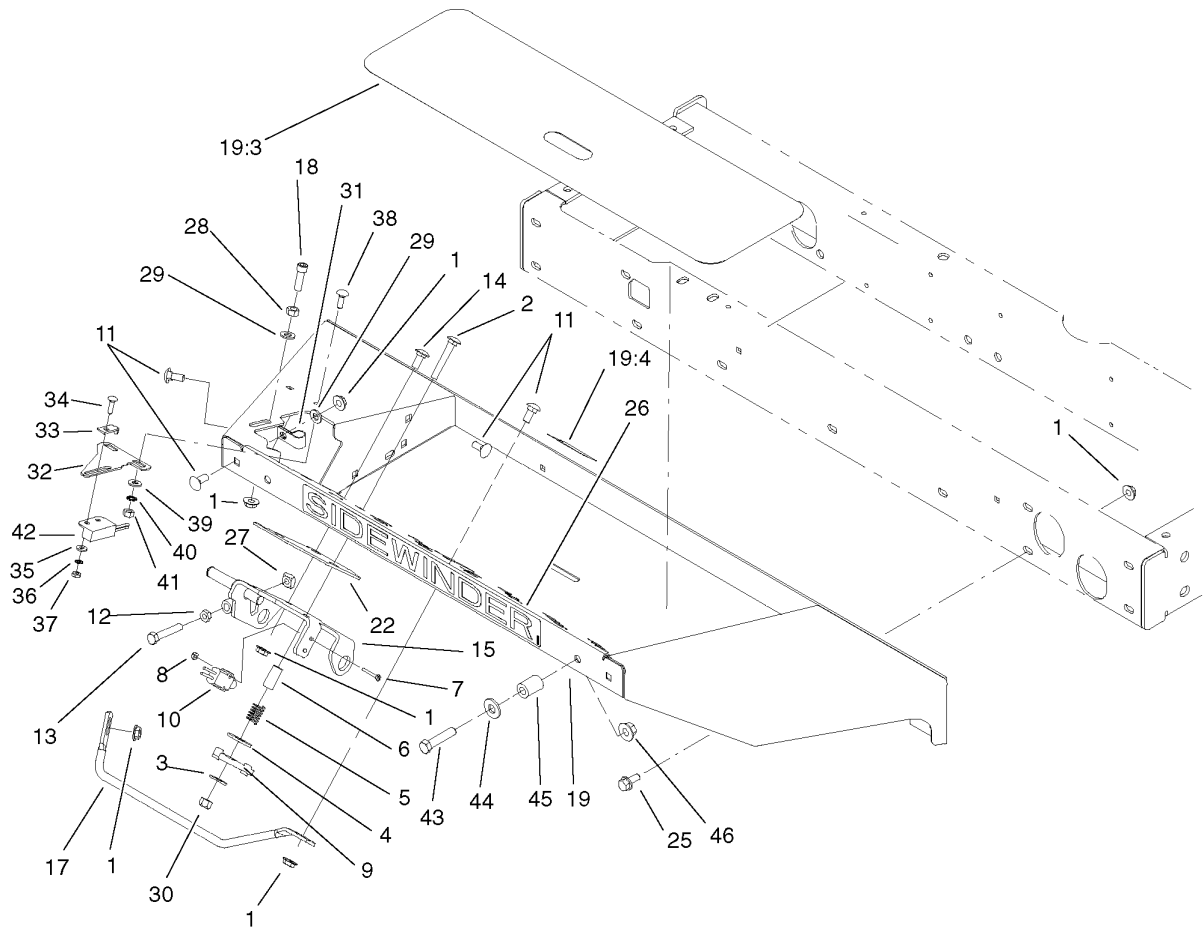
Ref	Part No.	Qty.	Description
18	95-8694	1	HYD Motor ASM
19	105-1213	1	Hose ASM
20	105-1212	1	Hose ASM
21	242-50	4	Nut-Lug
22	82-8170	2	Clamp
23	93-7960	2	Spacer
24	93-7961	1	Clamp-Drain, Case
25	340-132	2	Fitting-HYD, 90Ø
25:1	237-78	1	O-Ring
25:2	237-21	1	O-Ring
26	18-3979-03	1	Rear Casting ASM
26:1		1	Rear Casting ASM
26:1:2	302-5	1	Fitting-Grease
27	3234-38	8	Screw-HHF
28	95-8805	2	Bushing
29	322-13	2	Screw-HH
30	3296-29	2	Nut-Lock, NI



Control Panel Assembly

Ref	Part No.	Qty.	Description
1	32128-32	1	Nut-HHF
2	3256-22	1	Washer-Flat
3	95-8712-03	1	Panel-Control
4	3250-27	4	Screw-PPH
5	3296-2	2	Nut-Lock
6	70-1480	4	Relay
7	32128-43	5	Nut-Flange
8	3234-1	5	Screw-HHF
9	37-2690	1	Capacitor
9:1	3252-18	2	Screw
9:2	3254-1	2	Washer-Lock, Internal
10	2412-74	1	R-Clamp
11	3234-4	1	Screw-HHF
12	32128-33	1	Nut-HF
14	95-8855	1	Control-Throttle
15	104-0421	1	Plate-Stop, Throttle
17	75-6820	1	Hourmeter
18	32144-18	2	Screw-HH
19	93-7053	1	Cluster-Lamp, Warning
●*19:1	219-17	4	Bulb
19:2	3254-1	1	Washer-Lock, Internal
19:3	3217-26	1	Nut-Hex
20	88-9830	1	Key Switch ASM
20:1	3254-5	1	Washer-Lock, Internal

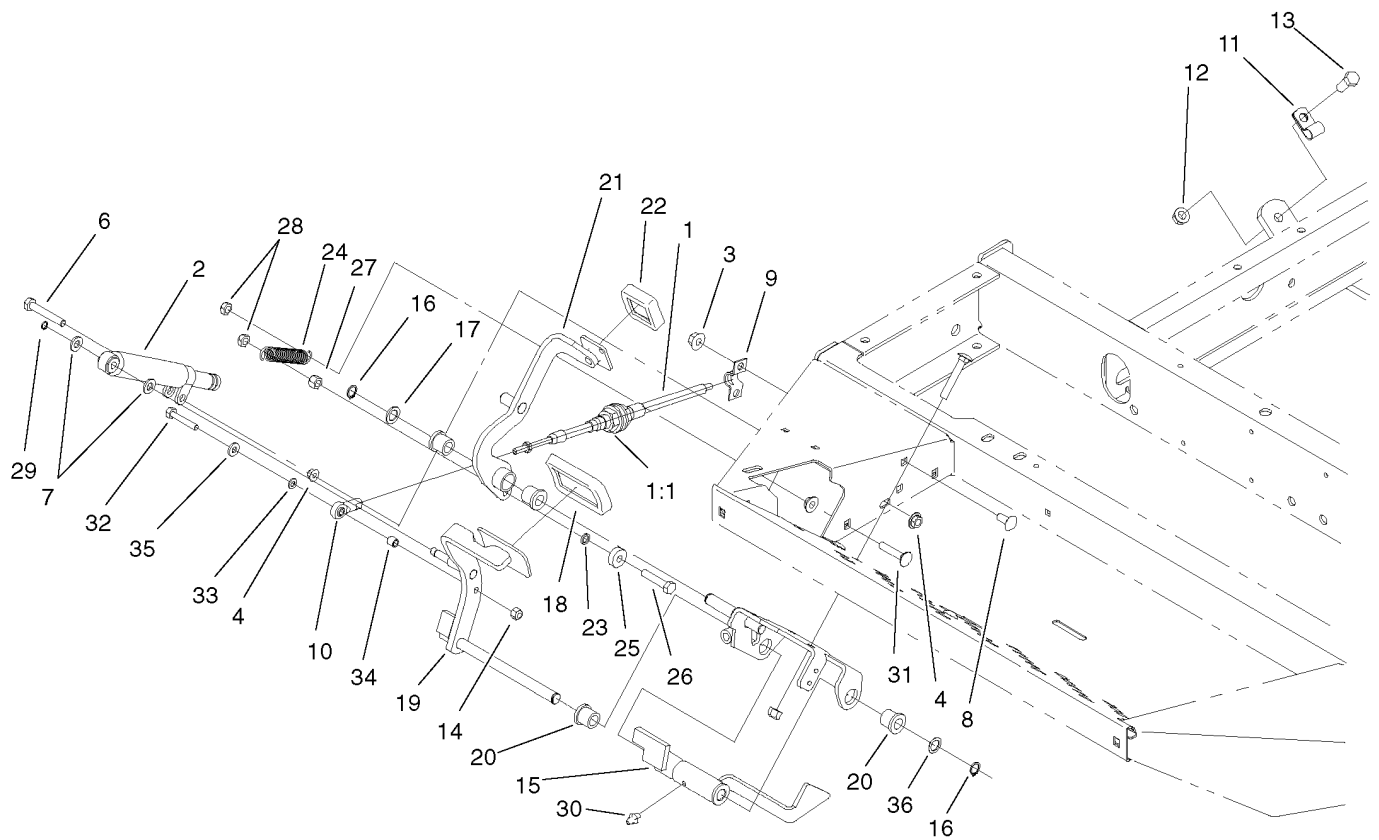
Ref	Part No.	Qty.	Description
20:2	218-461	1	Nut-HH
21	63-8360	2	Key-Ignition
22	95-8999	1	Switch
23	100-4834	1	Decal-Console
24	100-4823	1	Harness-Wire
25	99-3401-03	1	Lever-Valve, Lock
26	3290-477	1	Washer-Curved
27	63-3410	1	Screw-Shoulder
28	32144-10	5	Screw-HWH
29	99-3463	1	Controller-Glow
32	100-4918	4	Diode
33	99-3558	1	Decal-Console, Ce
34	3290-148	2	Nut-HF
35	104-4875	1	Harness-Wire, Jumper
36	3290-378	1	Tie-Cable



Front Platform Assembly

Ref	Part No.	Qty.	Description
1	32128-44	18	Nut
2	3230-6	1	Screw-CARR
3	3256-3	1	Washer-Flat
4	3256-40	1	Washer-Flat
5	65-9940	1	Spring
6	95-8866	1	Tube-Arm, Rocker
7	32105-9	2	Screw
8	3296-9	2	Nut-Lock NI
9	99-3593	1	Arm-Rocker
10	95-8900	1	Switch
11	3230-1	5	Screw-CARR
12	3218-2	1	Nut-Jam
13	322-41	1	Screw-HH
14	3230-23	2	Screw-CARR
15	95-8869-03	1	Bracket-Pedal, Traction
17	95-8893	1	Bar-Deflector
18	3274-22	1	Screw-HSH
19	106-4154	1	Floorplate ASM
19:3	99-3478	1	Tread-Foot
19:4	99-3444	1	Decal-Mow/Transport
20	99-3444	1	Decal-Mow/Transport
21	99-3478	1	Tread-Foot
22	106-2661-01	1	Plate-Support, Red
25	3234-5	10	Screw

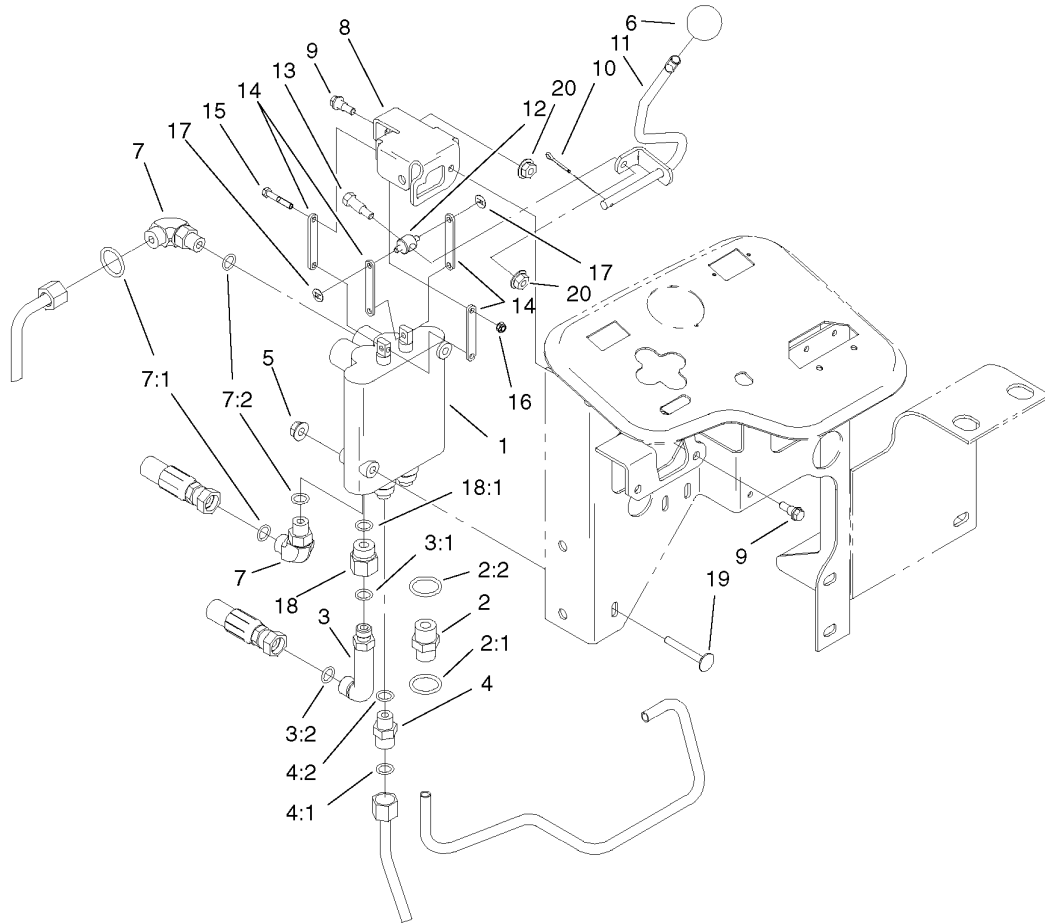
Ref	Part No.	Qty.	Description
26	99-3388	1	Decal-Sidewinder
27	99-3565	1	Nut-Square
28	3217-6	1	Nut-Hex
29	3256-23	2	Washer-Flat
30	3296-29	1	Nut-Lock, NI
31	2412-103	1	Clamp
32	100-4871	1	Bracket-Switch, Neutral
33	100-4872	1	Plate-Switch, Neutral
34	3229-20	1	Screw-CARR
35	3256-14	1	Washer-Flat
36	3255-17	1	Washer-Lock/EXT
37	3296-2	1	Nut-Lock
38	3229-1	2	Screw-CARR
39	3256-22	2	Washer-Flat
40	3255-7	2	Washer-Lock/EXT
41	3217-5	2	Nut-Hex
42	100-1270	1	Switch-Proximity
43	323-9	2	Screw-HH
44	3256-4	2	Washer-Flat
45	104-4613	2	Tube-Latch
46	32128-43	2	Nut-Flange



Traction Pedal Assembly

Ref	Part No.	Qty.	Description
1	100-4815	1	Cable-Control, Traction
1:1	3220-1	2	Nut-Jam
2	76-8870	1	Lever Damper ASM
3	32128-20	2	Nut-HF
4	32128-44	3	Nut
6	322-10	1	Screw-HH
7	3256-23	2	Washer-Flat
8	3230-23	2	Screw-CARR
9	93-2092	1	Clamp-Cable
10	2411-41	1	Joint-Ball, Superior
11	2412-10	1	R-Clamp
12	32128-43	1	Nut-Flange
13	323-6	1	Screw-HH
14	3296-42	1	Nut-Lock, NI
15	95-8861	1	Slide
16	32151-84	2	Ring-Shaft, EXT
17	41-8440	1	Washer
18	74-9100	1	Pad-Pedal, Forward
19	104-4852-03	1	Traction Pedal ASM
20	256-243	2	Bearing-Flange
21	99-3379	1	Pedal-Reverse
22	74-9110	1	Pad-Pedal, Reverse
23	75-5470	1	Spacer-Bearing
24	99-3476	1	Spring-Extension

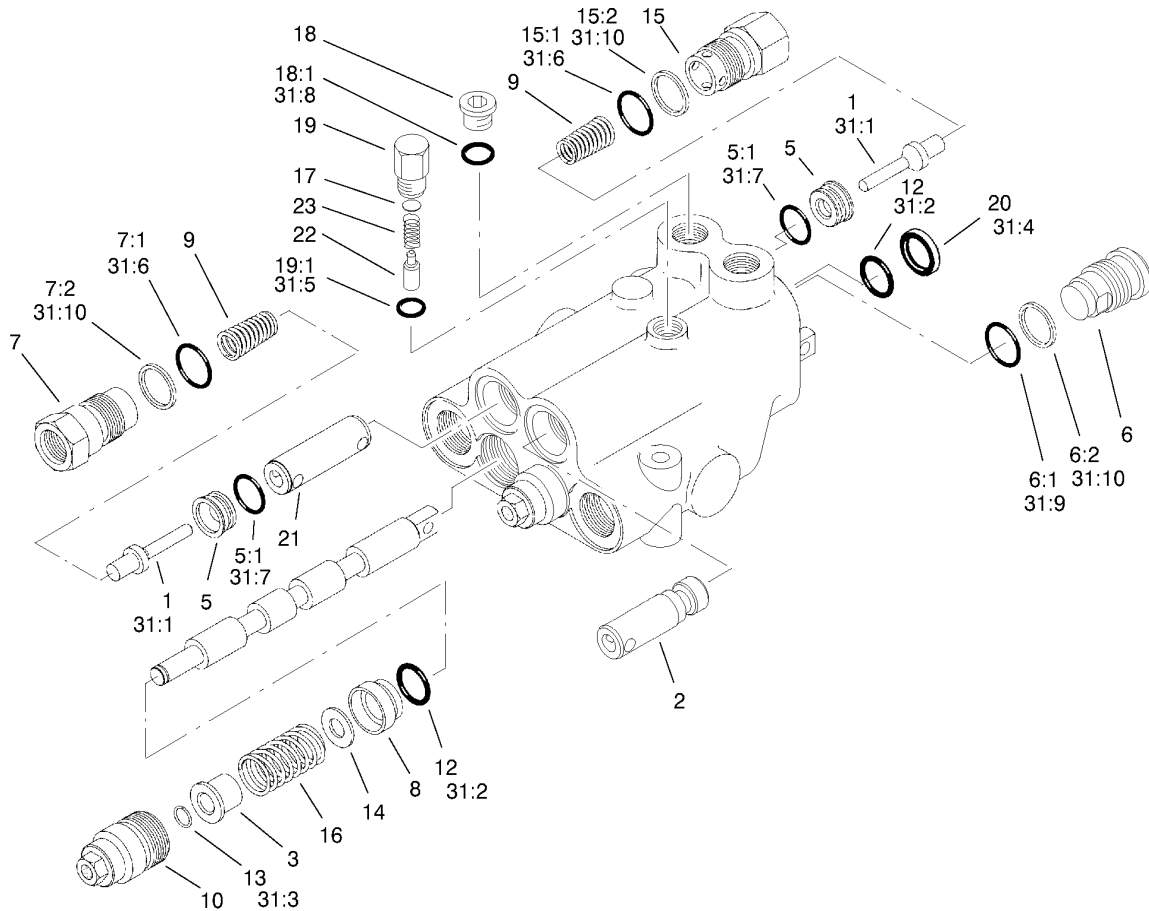
Ref	Part No.	Qty.	Description
25	251-259	1	Bearing
26	322-7	1	Screw-HH
27	3296-29	1	Nut-Lock, NI
28	3296-47	2	Nut-Lock, NI
29	32151-3	1	Ring-Grip, EXT
30	302-5	1	Fitting-Grease
31	3230-27	1	Screw-CARR
32	321-9	1	Screw-HH
33	33093-00	1	Washer-Flat
34	99-3545	1	Spacer
35	3256-22	1	Washer-Flat
36	73-0040	4	Washer-Thrust



Control Valve Installation Assembly

Ref	Part No.	Qty.	Description
1	95-8581	1	Valve-2 Spool
2	340-3	1	Adapter
2:1	237-22	1	O-Ring
2:2	237-79	1	O-Ring
3	69-4320	1	Fitting-90
3:1	237-22	1	O-Ring
3:2	237-42	1	O-Ring
4	340-2	1	Fitting-HYD, Straight
4:1	237-22	1	O-Ring
4:2	237-42	1	O-Ring
5	32128-33	2	Nut-HF
6	233-42	1	Knob
7	340-77	2	Fitting-HYD, 90Ø
7:1	237-22	1	O-Ring
7:2	237-42	1	O-Ring
8	95-8633	1	Bracket-Valve, Actuator
9	42-3560	2	Bolt-Shoulder
10	3272-6	1	Pin-Cotter
11	95-8635	1	Lever-Valve
12	95-8638	1	Trunnion-Valve, Actuator
13	92-8916	1	Bolt-Shoulder
14	95-8634	4	Link
15	87-5150	3	Bolt
16	87-5140	3	Nut-Lock

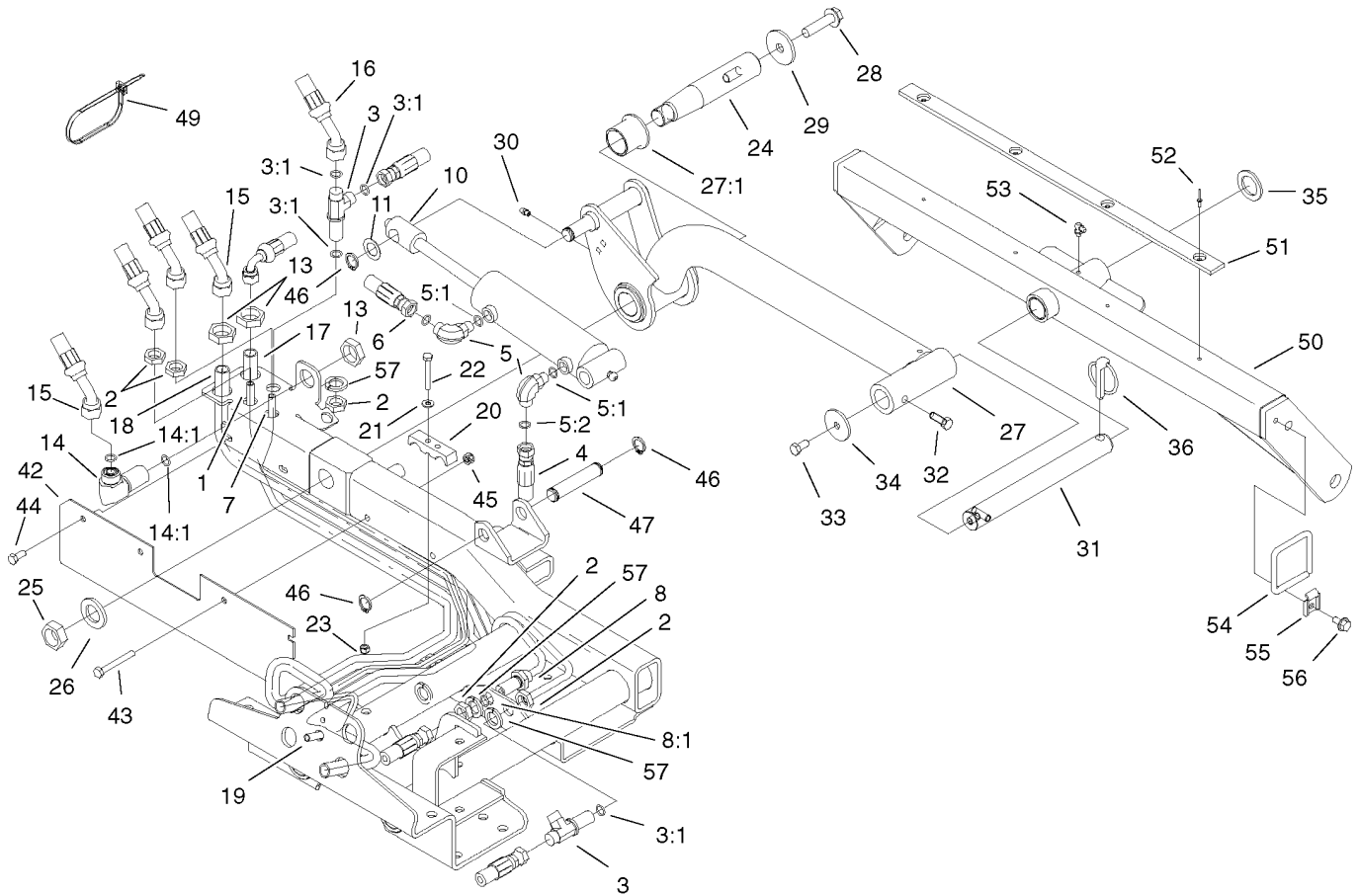
Ref	Part No.	Qty.	Description
17	93-3988	2	Pushnut-Tinnerman
18	353-397	1	Reducer-Adapter
18:1	237-79	1	O-Ring
19	3230-33	2	Screw-CARR
20	32128-32	3	Nut-HHF



Control Valve Assembly No. 95-8581

Ref	Part No.	Qty.	Description
1	58-6290	3	Poppet
2	69-1840	1	Plunger
3	58-6310	2	Spacer
5	58-6330	3	Seat
5:1	58-6340	1	O-Ring
6	58-6350	1	Plug
6:1	60-5720	1	O-Ring
6:2	58-6370	1	Washer
7	99-3527	2	Plug ASM
7:1	60-5720	1	O-Ring
7:2	59-7730	1	Washer-Backup
8	58-6400	2	Bushing
9	69-1810	3	Spring
10	58-6420	2	Cap
12	58-6450	4	O-Ring
13	58-6460	2	Ring
14	65-2770	2	Washer
15	99-3526	1	Plug ASM
15:1	60-5720	1	O-Ring
15:2	59-7730	1	Washer-Backup
16	99-3531	2	Spring
17	60-6450	1	Disc
18	353-989	1	Plug-Hex, Hollow
18:1	237-42	1	O-Ring

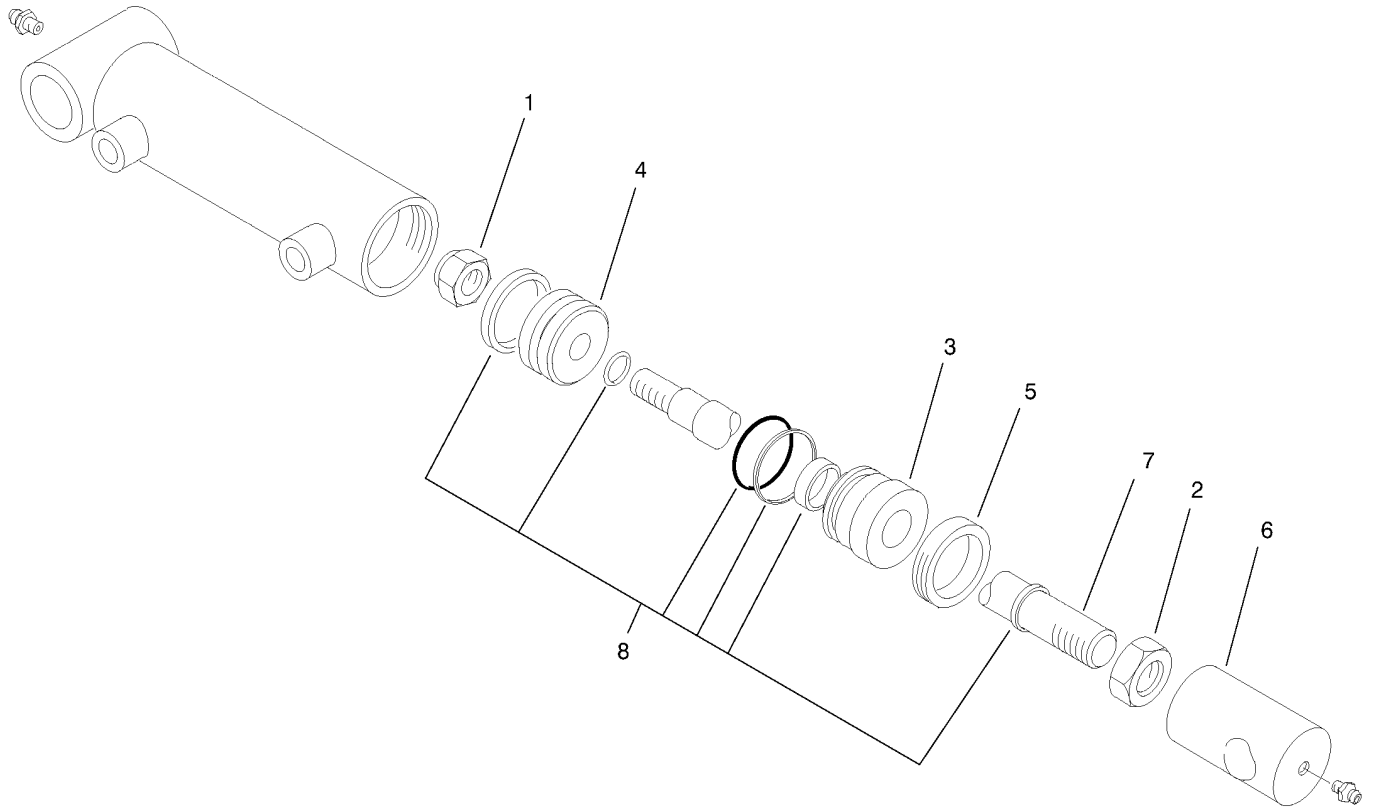
Ref	Part No.	Qty.	Description
19	58-6780	1	Plug
19:1	58-6790	1	O-Ring
20	58-6320	2	Wiper
21	99-3528	1	Plunger
22	58-6770	1	Plunger
23	58-6760	1	Spring
31	99-3530	1	Seal Kit
31:1	58-6290	3	Poppet
31:2	58-6450	4	O-Ring
31:3	58-6460	2	Ring
31:4	58-6320	2	Wiper
31:5	58-6790	1	O-Ring
31:6	60-5720	2	O-Ring
31:7	58-6340	2	O-Ring
31:8	237-42	1	O-Ring
31:9	60-5720	2	O-Ring
31:10	59-7730	2	Washer-Backup



Rear Liftarm Assembly

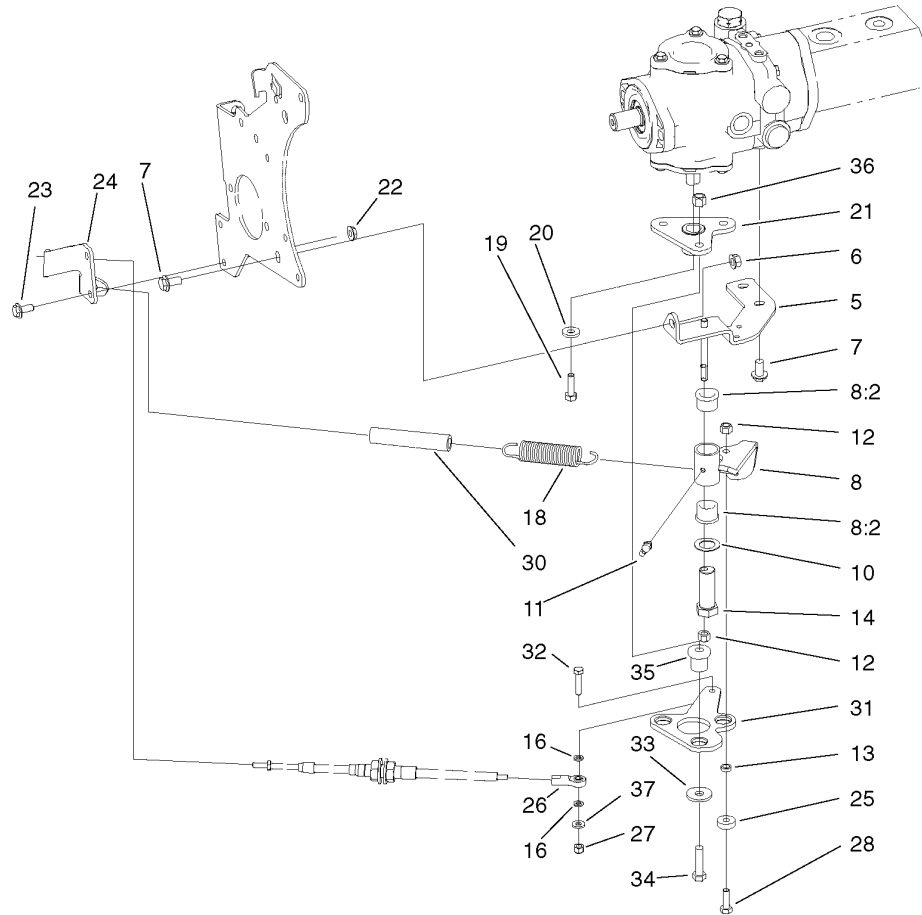
Ref	Part No.	Qty.	Description
1	104-0402	1	Tube ASM
2	340-70	5	Locknut-Bulkhead
3	340-68	2	Fitting-Tee, Bulkhead
3:1	237-22	3	O-Ring
4	104-0407	1	Hose ASM
5	340-77	2	Fitting-HYD, 90°
5:1	237-22	1	O-Ring
5:2	237-42	1	O-Ring
6	100-4891	1	Hose ASM
7	104-0403	1	Tube ASM
8	340-71	1	Fitting-Straight, Bulkhead
8:1	237-22	2	O-Ring
10	95-8978	1	Cylinder-HYD
11	3-6498	1	Washer-Thrust
13	340-74	3	Locknut-Bulkhead
14	340-72	1	Union-Elbow Bulkhead, 90°
14:1	237-65	2	O-Ring
15	100-4879	2	Hose ASM
16	95-8825	1	Hose ASM
17	104-0401	1	Tube ASM
18	104-0400	1	Tube-ASM
19	104-0404	1	Tube ASM
20	99-3641	2	Clamp-Tube
21	3256-22	4	Washer-Flat

Ref	Part No.	Qty.	Description
22	321-11	2	Screw-HH
23	3296-42	2	Nut-Lock, NI
24	95-8990	1	Shaft-Pivot, Rear
25	3220-9	1	Nut-Jam
26	86-1480	1	Washer
27	100-4938	1	Rear Lift Arm ASM
27:1	69-6470	2	Bushing-Castor
28	3234-27	1	Screw-Flange
29	75-7730	1	Washer-Thrust
30	302-5	1	Fitting-Grease
31	100-4944	1	Shaft-Pivot, Cutting Unit
32	323-6	1	Screw-HH
33	323-4	1	Screw-HH
34	63-7400	1	Washer-Rebound
35	3-6781	1	Washer-Thrust
36	283-71	1	Pin-Lynch
42	104-0453-03	1	Guard
43	322-12	2	Screw-HH
44	322-3	2	Screw-HH
45	32128-20	4	Nut-HF
46	32120-93	3	Ring-Retaining
47	95-8575	1	Pin
49	3334-945	1	Tie-Cable
50	104-4229	1	Rear Carrier Frame ASM



Hydraulic Cylinder Assembly No. 95-8978

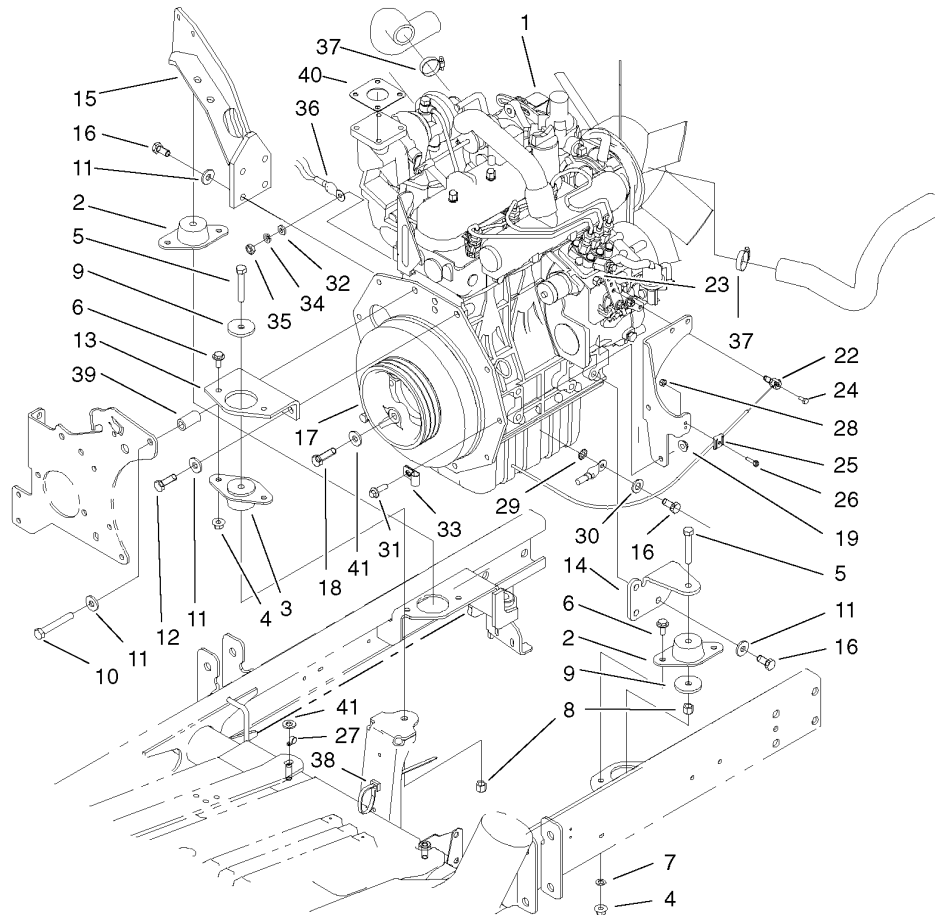
Ref	Part No.	Qty.	Description
1	32152-10	1	Locknut
2	3220-6	1	Nut-Jam
3	65-4860	1	Head
4	52-1990	1	Piston-Cylinder, HYD
5	99-3532	1	Collar-Internal
6	99-3533	1	Clevis
7	99-3534	1	Shaft
8	83-7240	1	Seal Repair Kit



Neutral Arm Assembly

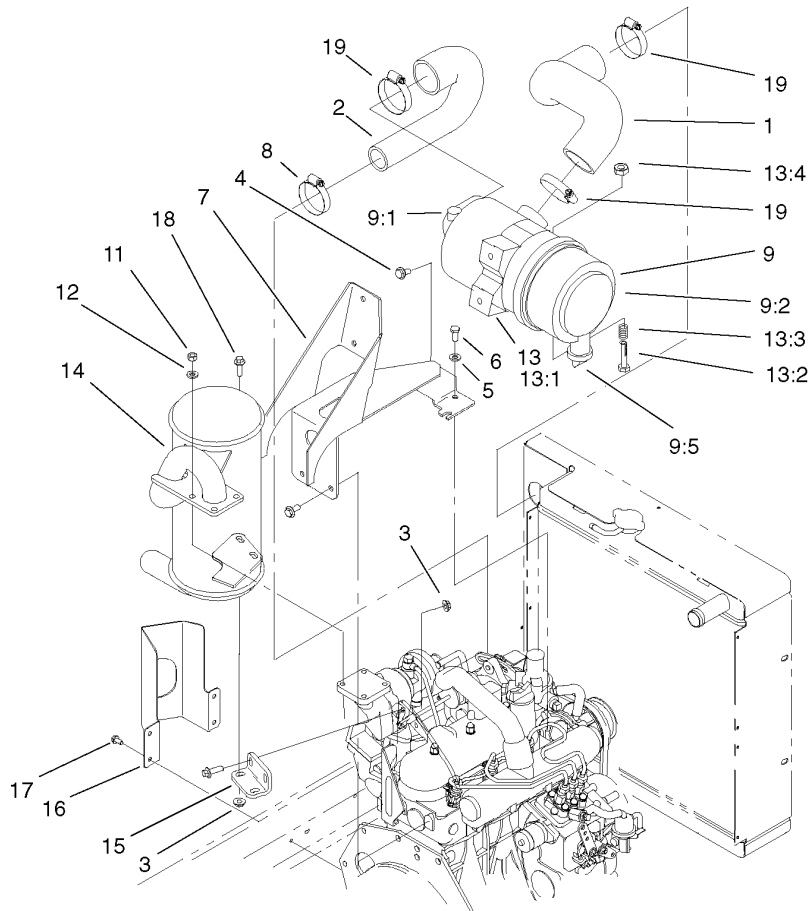
Ref	Part No.	Qty.	Description
5	95-8960-03	1	Bracket-Neutral
6	32128-43	1	Nut-Flange
7	3234-1	3	Screw-HHF
8	104-0422	1	Neutral Arm ASM
8:2	256-113	2	Bushing-Flange
10	3-6498	1	Washer-Thrust
11	302-60	1	Fitting-Grease
12	3296-29	2	Nut-Lock, NI
13	100-4817	1	Spacer-Bearing
14	76-8640	1	Stud-Traction
16	33093-00	2	Washer-Flat
18	94-1369	1	Spring-Extension
19	3210-6	1	Screw-HH
20	88-7200	1	Washer-Flat
21	99-3598-03	1	Hub ASM
22	32128-44	2	Nut
23	3234-5	2	Screw
24	104-0464-03	1	Bracket-Support, Cable
25	251-259	1	Bearing
26	2411-41	1	Joint-Ball, Superior
27	3296-42	1	Nut-Lock, NI
28	3274-104	1	Screw-HSBH
30	99-3556	1	Hose
31	99-3594-03	1	Lever-Pump

Ref	Part No.	Qty.	Description
32	321-8	1	Screw-HH
33	2844	3	Washer
34	95-3857	3	Screw-Head, Button
35	63-9750	3	Mount
36	3296-39	3	Nut-Lock, NI
37	3256-22	1	Washer-Flat



Engine Assembly

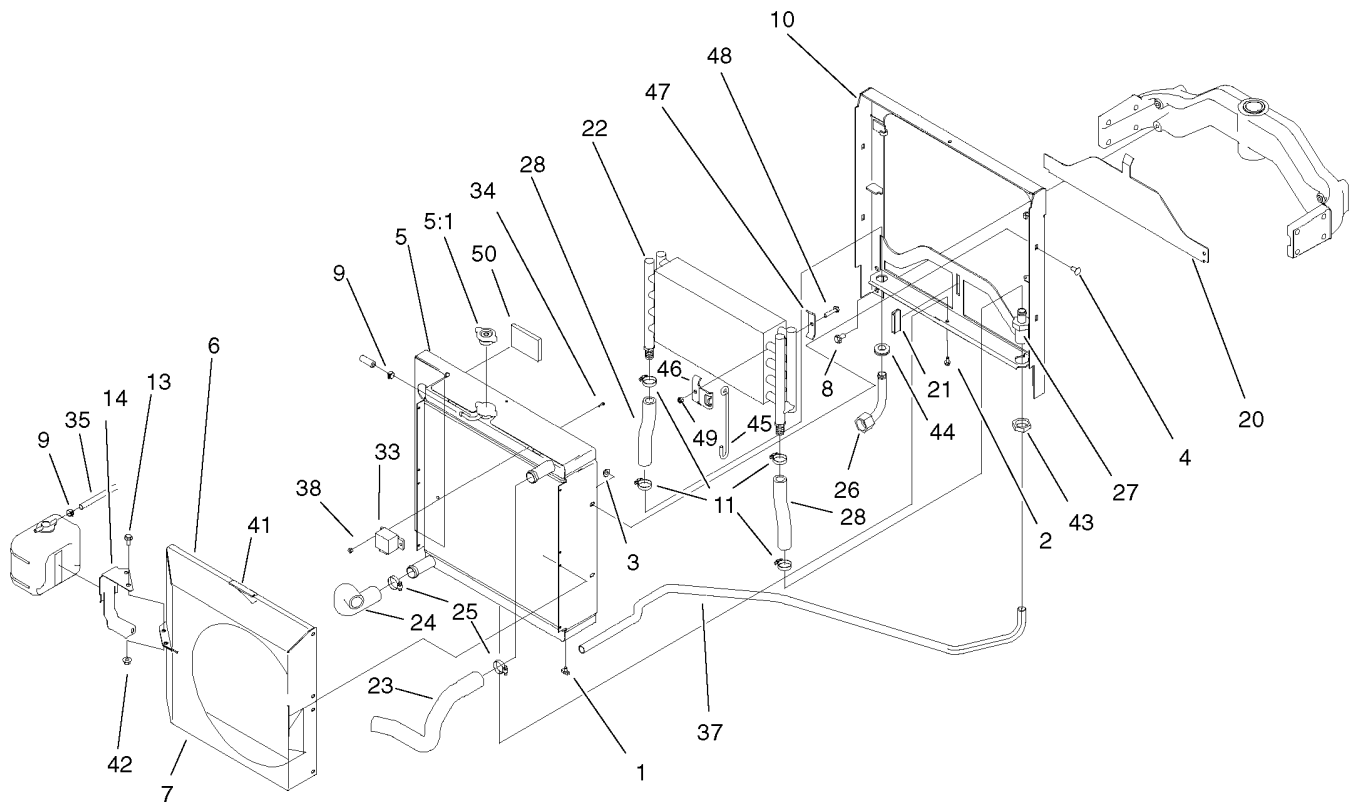
Ref	Part No.	Qty.	Description	Ref	Part No.	Qty.	Description
1	100-4901	1	Engine-Kubota, D1105-T-Eb-Toro-2-S1	26	32105-13	1	Screw-SHH
2	83-1030	2	Mount-Engine	27	2412-112	1	Clamp
3	93-5265	1	Mount-Engine	28	3296-2	1	Nut-Lock
4	32128-20	6	Nut-HF	29	3255-9	1	Washer-Lock/EXT
5	323-11	3	Screw-HH	30	3256-25	1	Washer-Flat
6	3234-5	6	Screw	31	3234-17	2	Screw-HHF
7	3255-8	1	Washer-Lock/EXT	32	3256-78	1	Washer-Flat
8	3296-39	3	Nut-Lock, NI	33	2412-10	1	R-Clamp
9	80-8560	3	Washer-Hardened	34	43-5930	1	Washer-Spring
10	42-9370	1	Bolt/Washer	35	48-7890	1	Nut
11	80-6990	9	Washer-Hardened	36	99-3441	1	Harness-Wire, Fusible Link
12	95-8812	1	Screw-HH	37	2412-34	2	Clamp-Hose
13	99-3618-03	1	Mount-Engine, Front	38	3290-378	14	Tie-Cable
14	95-8937-03	1	Mount-Engine, LH	39	95-8736	1	Spacer
15	100-4838-03	1	Mount-Engine	40	98-9611	1	Gasket
16	63-7790	8	Screw-Cap	41	3256-24	4	Washer-Flat
17	99-3626-03	1	Pulley-3V, Engine				
18	56-2140	3	Bolt				
19	32128-44	2	Nut				
22	98-9311	1	Swivel-Throttle				
23	3296-20	1	Nut-Lock, NI				
24	25-8640	1	Screw-HH				
25	81-1690	1	Clamp-Cable				



Air Cleaner and Muffler Assembly

Ref	Part No.	Qty.	Description
1	104-0420	1	Hose-Air Intake, Upper
2	99-3643	1	Hose-Air Intake, Lower
3	32128-44	6	Nut
4	3234-5	3	Screw
5	3256-23	4	Washer-Flat
6	33114-016	4	Screw-HH
7	99-3648-03	1	Mount-Filter, Air
8	2412-92	1	Clamp-Hose
9	100-4824	1	Air Cleaner ASM
9:1	285-17	1	Plug-Pipe
9:2	104-0497	1	Cover ASM
9:5	104-0498	1	Valve-Vacuator
②*9:6	98-9763	1	Element ASM
11	33014-00	4	Nut-Hex
12	42-9850	4	Washer-Lock, Spring
13	100-4825	1	Band-Mounting, Air Cleaner
①13:1		1	Clamp ASM
13:2	94-3653	1	Bolt
13:3	94-3654	1	Spring
13:4	48-9510	1	Nut
14	100-4810	1	Muffler
15	95-8943-03	1	Bracket-Muffler
16	99-3425-03	1	Guard-Exhaust
17	32144-4	4	Screw-HWH

Ref	Part No.	Qty.	Description
18	3234-17	3	Screw-HHF
19	2412-130	3	Clamp-Hose

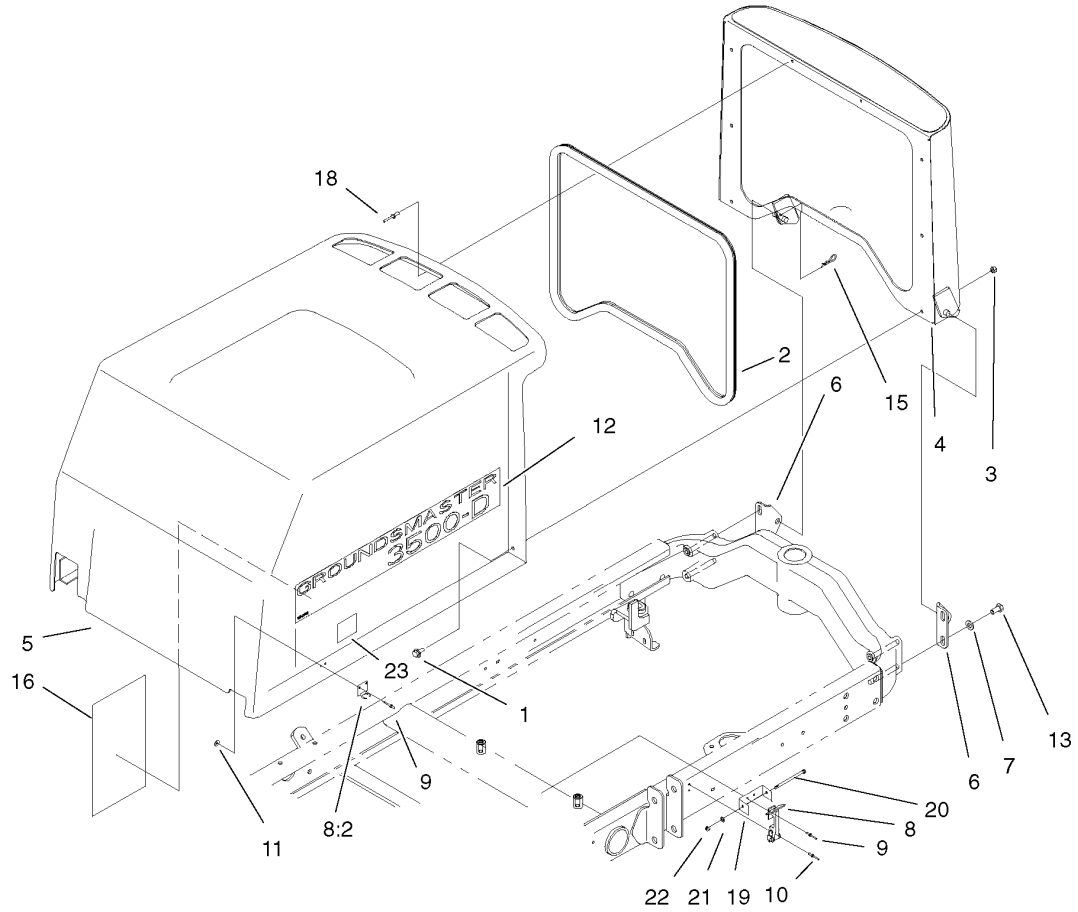


**Water Overflow Bottle
is furnished with engine**

Radiator Assembly

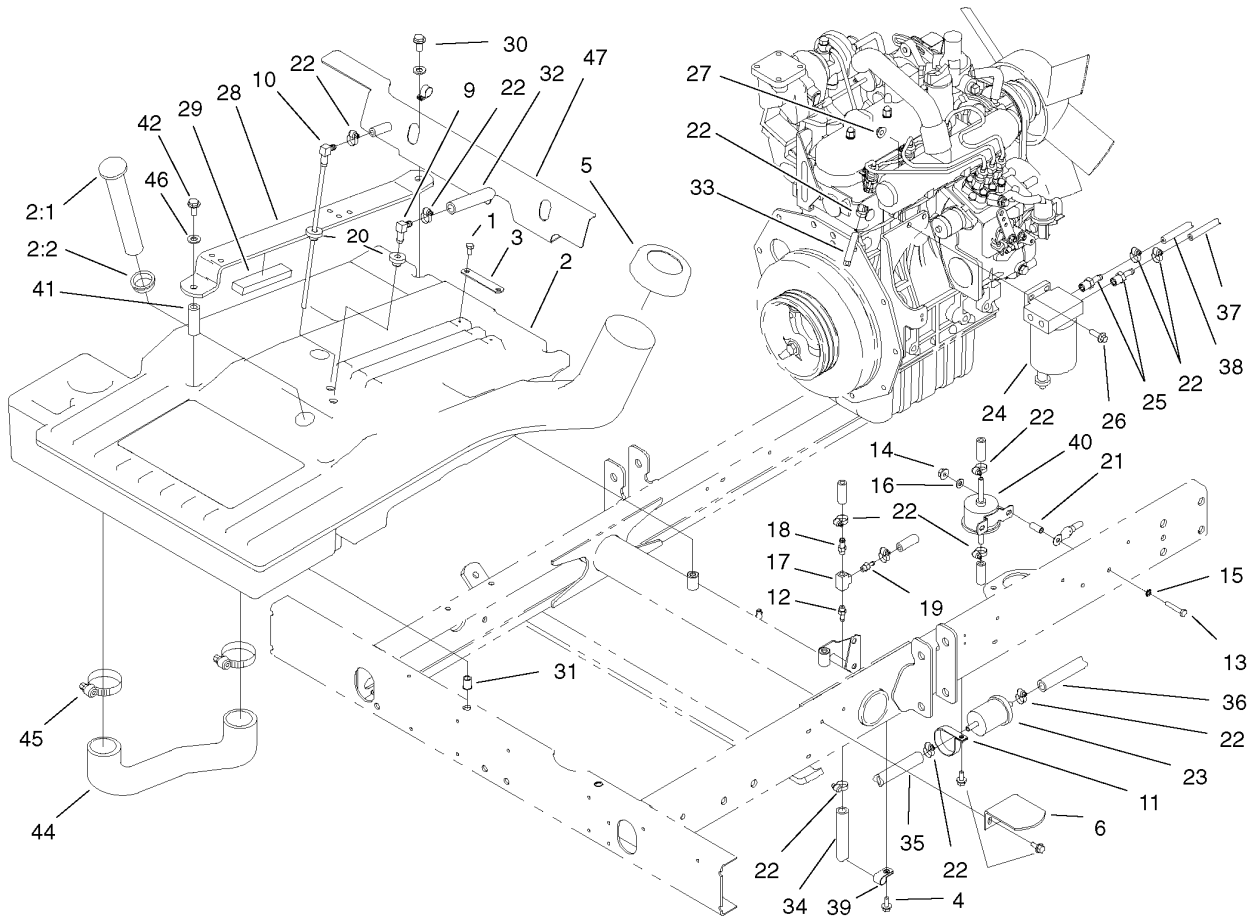
Ref	Part No.	Qty.	Description
1	304-46	1	Draincock
2	32104-116	11	Screw
3	32128-44	4	Nut
4	3230-1	4	Screw-CARR
5	99-3637	1	Radiator
5:1	93-5957	1	Cap-Radiator
6	100-4885-03	1	Shroud-Fan, Top
7	100-4898-03	1	Shroud-Fan, Bottom
8	3234-1	4	Screw-HHF
9	92-2379	2	Clamp-Hose
10	104-4855-03	1	Radiator Frame ASM
11	2412-129	4	Clamp-Hose
13	3234-5	2	Screw
14	100-4899-03	1	Bracket-Reservoir
20	95-8702-03	1	Shield-Radiator, Lower
21	99-3497	1	Magnet
22	100-4869	1	Cooler-Oil
23	104-0454	1	Hose-Radiator, Upper
24	100-4809	1	Hose-Radiator, Lower
25	2412-34	2	Clamp-Hose
26	99-3644	1	Filter Head Tube ASM
27	100-4925	1	Fitting-Bulkhead
28	99-3646	2	Hose-Cooler, Oil
33	66-8800	1	Relay

Ref	Part No.	Qty.	Description
34	32105-13	2	Screw-SHH
35	63-9640	1	Hose-Fuel
37	100-4924	1	Tube ASM
38	32128-17	2	Nut-Lock, Flange
41	93-6681	1	Decal-Warning, Fan
42	32128-20	2	Nut-HF
43	340-126	1	Nut-Bulkhead
44	100-4866	1	Grommet
45	100-4858	2	Form-Wire
46	100-4859	2	Bracket-Cooler, Keeper
47	100-4860	2	Bracket-Clamp
48	322-17	2	Screw-HH
49	3296-47	2	Nut-Lock, NI
50	104-9459	4	Seal-Foam



Hood-Screen Assembly

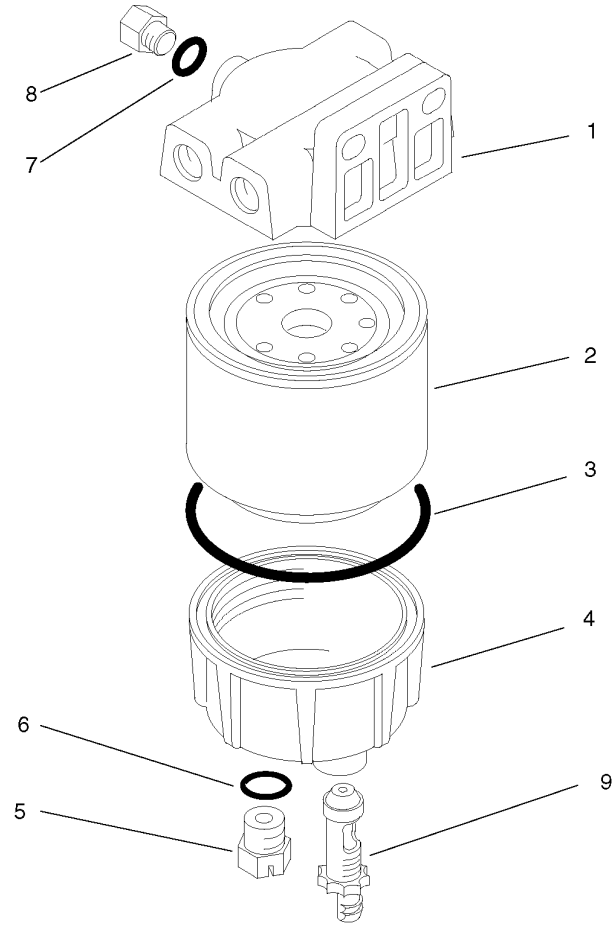
Ref	Part No.	Qty.	Description
1	3234-4	6	Screw-HHF
2	100-4932	1	Trim-Seal
3	3296-42	6	Nut-Lock, NI
4	104-4853-03	1	Hood Screen ASM
5	100-4855	1	Hood
6	95-8728	2	Bracket-Pivot, Hood
7	3256-24	4	Washer-Flat
8	59-9740	2	Flex Draw Latch ASM
8:2	249-40	1	Keeper
9	98-7310	4	Rivet
10	3290-55	4	Rivet-Pop
11	3269-10	4	Washer-Back
12	104-0446	2	Decal
13	323-4	4	Screw-HH
15	3290-467	1	Pin-Hair
16	104-4864	1	Decal-Instructions, Service
18	3269-21	2	Rivet-Pop
19	99-3568	1	Bracket-Lock,Ce
20	321-9	1	Screw-HH
21	3256-22	1	Washer-Flat
22	3296-42	1	Nut-Lock, NI
23	100-6574	1	Decal-Warning



Fuel System Assembly

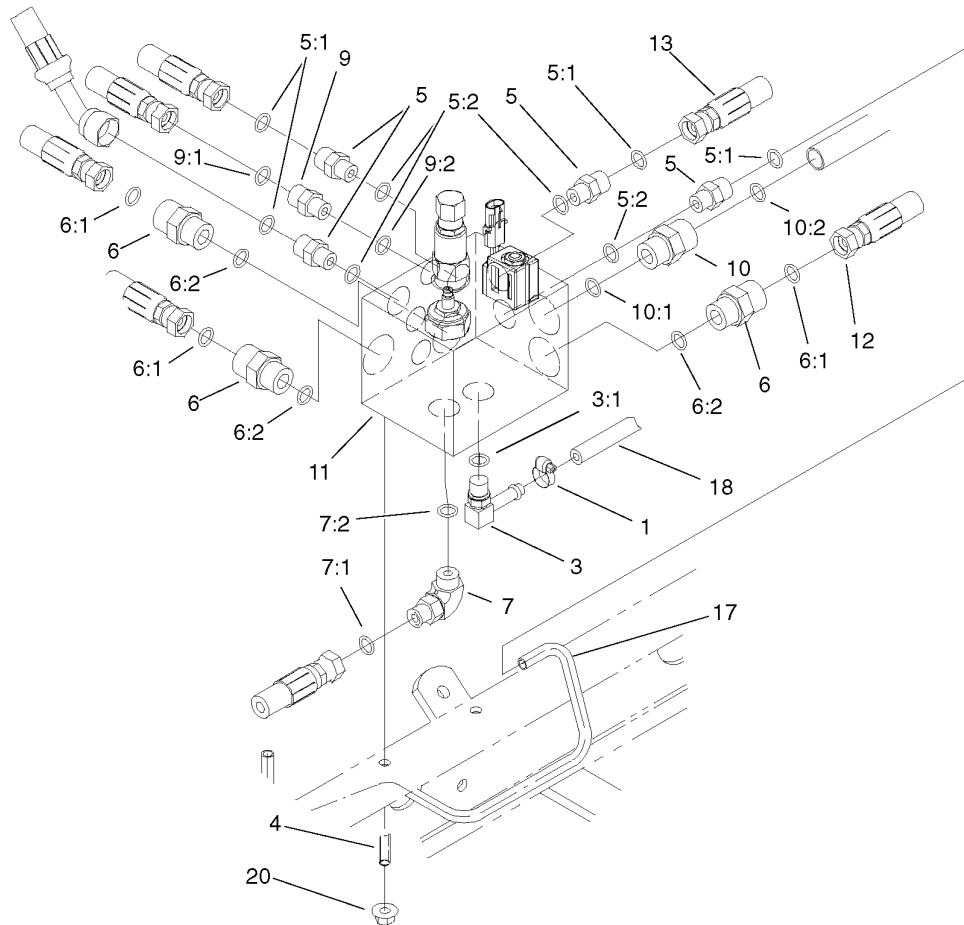
Ref	Part No.	Qty.	Description
1	321-2	2	Screw-HH
2	105-7865	1	Tank-Fuel
2:1	95-8971	1	Guage-Fuel
2:2	95-8972	1	Grommet
3	95-8881	1	Strap-Line, Fuel
4	32144-10	4	Screw-HWH
5	95-4193	1	Diesel Gas Cap ASM
6	95-8968-03	1	Support-Tank, Fuel
9	46-6550	1	Fitting-HYD, 90Ø
10	66-8121	1	Standpipe
11	2412-148	1	Clamp-R
12	304-73	1	Connector-Hose
13	321-9	2	Screw-HH
14	32128-33	2	Nut-HF
15	3255-7	1	Washer-Lock/EXT
16	3256-22	2	Washer-Flat
17	354-20	1	Fitting-Tee
18	354-21	1	Fitting-Barb
19	354-22	1	Fitting-Barb
20	46-6560	2	Bushing
21	87-4710	2	Spacer-Brake, Parking
22	2412-108	13	Clamp-Worm
23	98-7612	1	Filter-Fuel
24	98-9305	1	Filter-Water/Fuel

Ref	Part No.	Qty.	Description
25	353-783	2	Fitting-Pump
26	3234-17	2	Screw-HHF
27	32128-44	2	Nut
28	104-0467-03	2	Strap-Support, Seat
29	95-8896	2	Foam
30	3234-11	2	Screw-HHF
31	32148-9	2	Insert-Nut
32	71-3380	1	Hose-Fuel
33	99-3498	1	Return-Line, Fuel
34	99-3185	1	Hose-Fuel
35	71-3383	1	Hose-Fuel
36	19-3250	1	Hose-Fuel
37	63-9640	1	Hose-Fuel
38	104-4857	1	Hose-Fuel
39	2412-73	1	Clamp-R
40	99-3464	1	Pump-Fuel
41	104-0466	2	Spacer-Tube
42	323-14	2	Screw-HH
44	105-4094	1	Hose-Formed
45	2412-129	2	Clamp-Hose
46	3256-24	2	Washer-Flat
47	104-4833-03	1	Shield-Heat



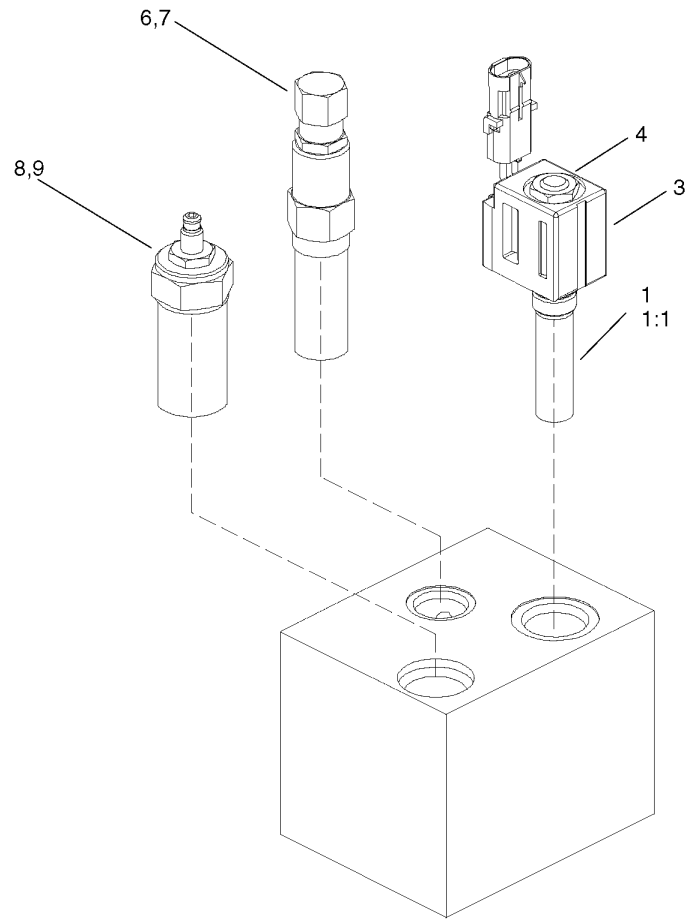
Water / Fuel Filter Assembly No. 98-9305

Ref	Part No.	Qty.	Description
1	98-9772	1	Head-Filter
2	98-9764	1	Element-On, Spin
3	98-9774	1	O-Ring-Base, Filter
4	98-9775	1	Base-Filter
5	98-9773	1	Plug-Base, Filter
6	237-42	1	O-Ring
7	237-78	1	O-Ring
8	98-9776	1	Plug-Head, Filter
9	98-9777	1	Drain Valve ASM
99	281-13	2	Plug-Pipe



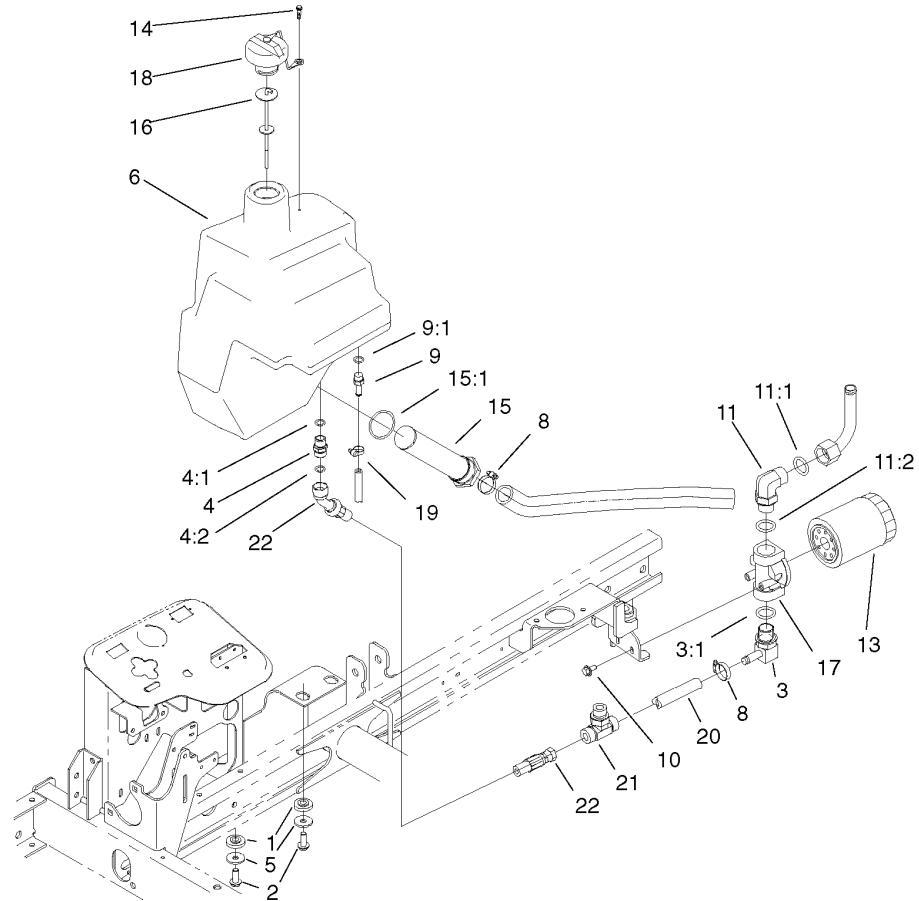
Manifold Block Installation Assembly

Ref	Part No.	Qty.	Description	Ref	Part No.	Qty.	Description
1	2412-36	1	Clamp-Hose	20	32128-20	2	Nut-HF
3	100-4887	1	Fitting-Barb				
3:1	237-42	1	O-Ring				
4	104-0430	2	Stud				
5	340-2	4	Fitting-HYD, Straight				
5:1	237-22	1	O-Ring				
5:2	237-42	1	O-Ring				
6	340-7	3	Adapter				
6:1	237-65	1	O-Ring				
6:2	237-80	1	O-Ring				
7	340-77	1	Fitting-HYD, 90°				
7:1	237-22	1	O-Ring				
7:2	237-42	1	O-Ring				
9	340-88	1	Adapter				
9:1	237-22	1	O-Ring				
9:2	237-78	1	O-Ring				
10	340-66	1	Fitting-HYD				
10:1	237-80	1	O-Ring				
10:2	237-58	1	O-Ring				
11	104-4876	1	Manifold ASM				
12	104-0488	1	Hose ASM				
13	100-4889	1	Hose ASM				
17	100-4827	1	Tube ASM				
18	80-7342	1	Hose ASM				



Manifold Block Assembly No. 104-4876

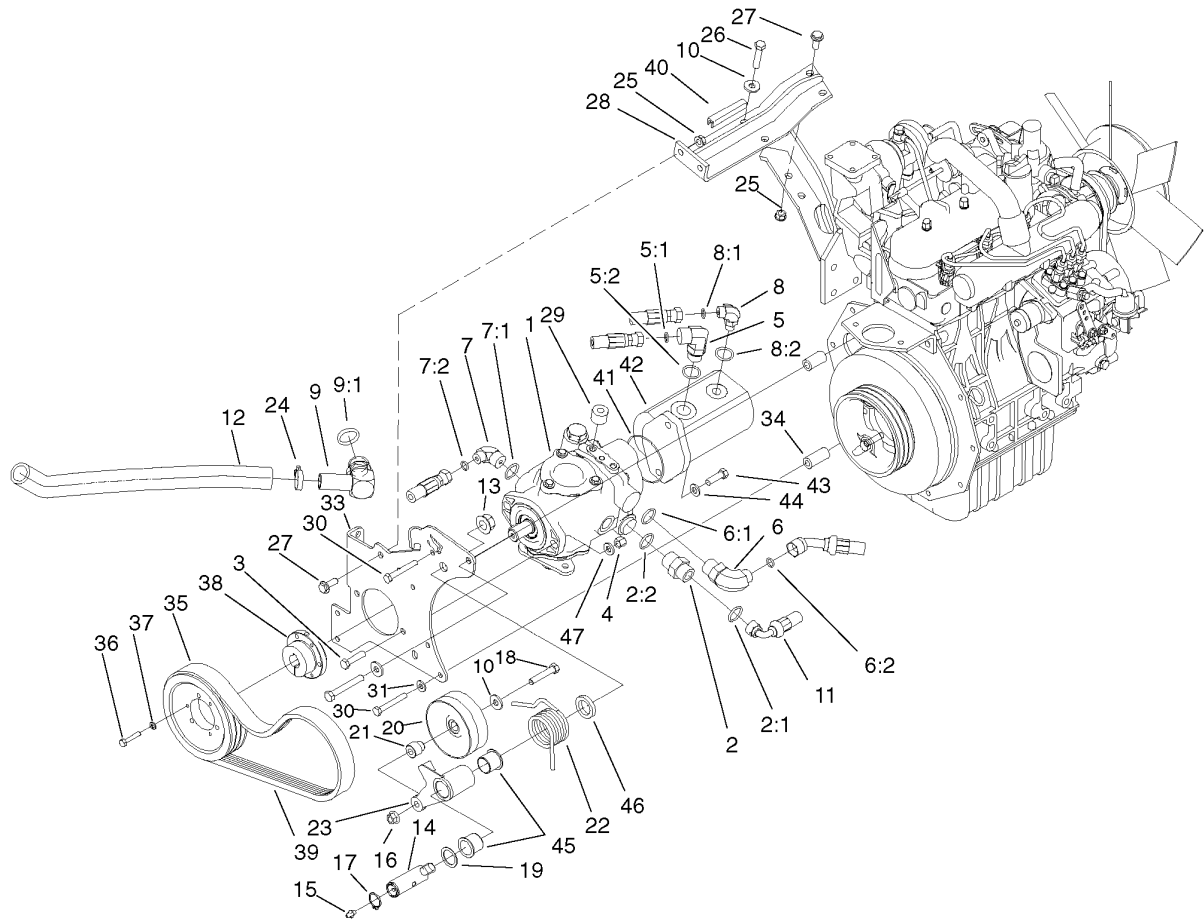
Ref	Part No.	Qty.	Description				
1	104-4877	1	Cartridge ASM				
1:1	104-4879	1	Seal Kit				
3	104-4878	1	Solenoid				
4	104-4882	1	Nut-Solenoid				
6	104-4267	1	Cartridge-Logic				
7	104-4268	1	Kit-Seal				
8	104-4269	1	Valve-Braking				
9	104-4270	1	Kit-Seal				



Hydraulic Tank Assembly

Ref	Part No.	Qty.	Description
1	240-11	4	Grommet-Mount, Tank
2	3234-11	4	Screw-HHF
3	353-987	1	Fitting-HYD, 90°
3:1	237-81	1	O-Ring
4	100-4890	1	Fitting-Check
4:1	237-79	1	O-Ring
4:2	237-30	1	O-Ring
5	63-8410	4	Washer
6	104-4840	1	Tank-HYD
8	2412-34	2	Clamp-Hose
9	353-979	1	Fitting-Barb, Straight
9:1	237-42	1	O-Ring
10	3234-13	2	Screw-HHF
11	340-142	1	Elbow-90°
11:1	237-58	1	O-Ring
11:2	237-81	1	O-Ring
13	86-3010	1	Filter-Oil, Transmission
14	57-5420	1	Screw-Shoulder
15	104-7546	1	Strainer-Tank
15:1	340-136	1	O-Ring
16	75-3710	1	Dipstick
17	92-5821	1	Filter Head ASM
18	93-7160	1	Cap-Oil, HYD
19	2412-36	1	Clamp-Hose

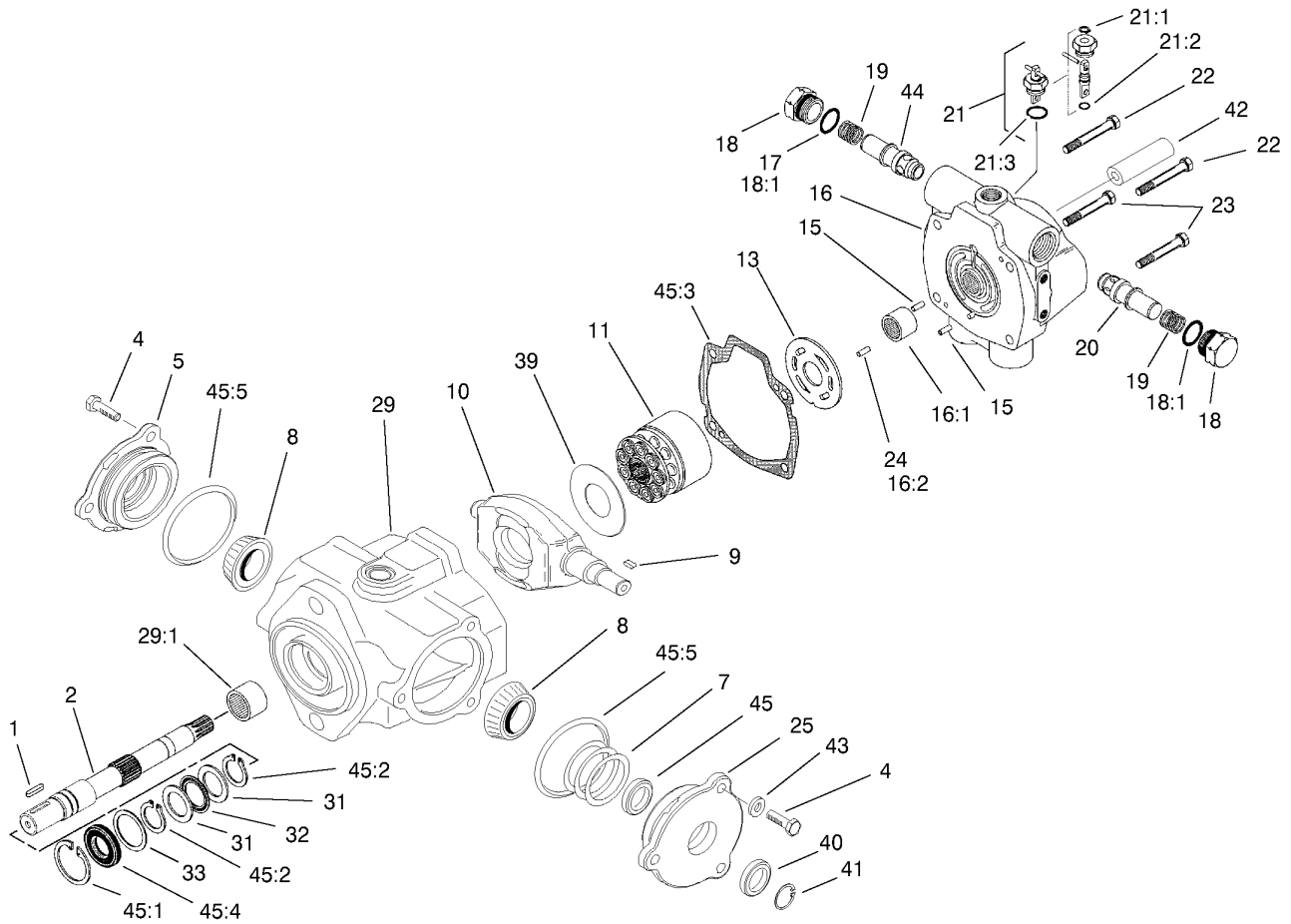
Ref	Part No.	Qty.	Description
20	104-0486	1	Hose ASM
21	104-4836	1	Fitting-Tee
22	104-0487	1	Hose ASM



Hydrostat Assembly

Ref	Part No.	Qty.	Description
1	104-4832	1	Pump-Piston
2	340-8	1	Adapter
2:1	237-65	1	O-Ring
2:2	237-81	1	O-Ring
3	323-8	2	Screw-HH
4	3296-39	2	Nut-Lock, NI
5	340-17	1	Fitting-HYD, 90°
5:1	237-65	1	O-Ring
5:2	237-80	1	O-Ring
6	340-139	1	Fitting-HYD, 90°
6:1	237-81	1	O-Ring
6:2	237-65	1	O-Ring
7	340-18	1	Fitting-HYD, 90°
7:1	237-79	1	O-Ring
7:2	237-22	1	O-Ring
8	340-77	1	Fitting-HYD, 90°
8:1	237-22	1	O-Ring
8:2	237-42	1	O-Ring
9	95-3502	1	Fitting-Elbow
9:1	237-81	1	O-Ring
10	80-6990	3	Washer-Hardened
11	105-1214	1	Hose ASM
12	104-5486	1	Hose
13	32128-54	1	Nut-Flange

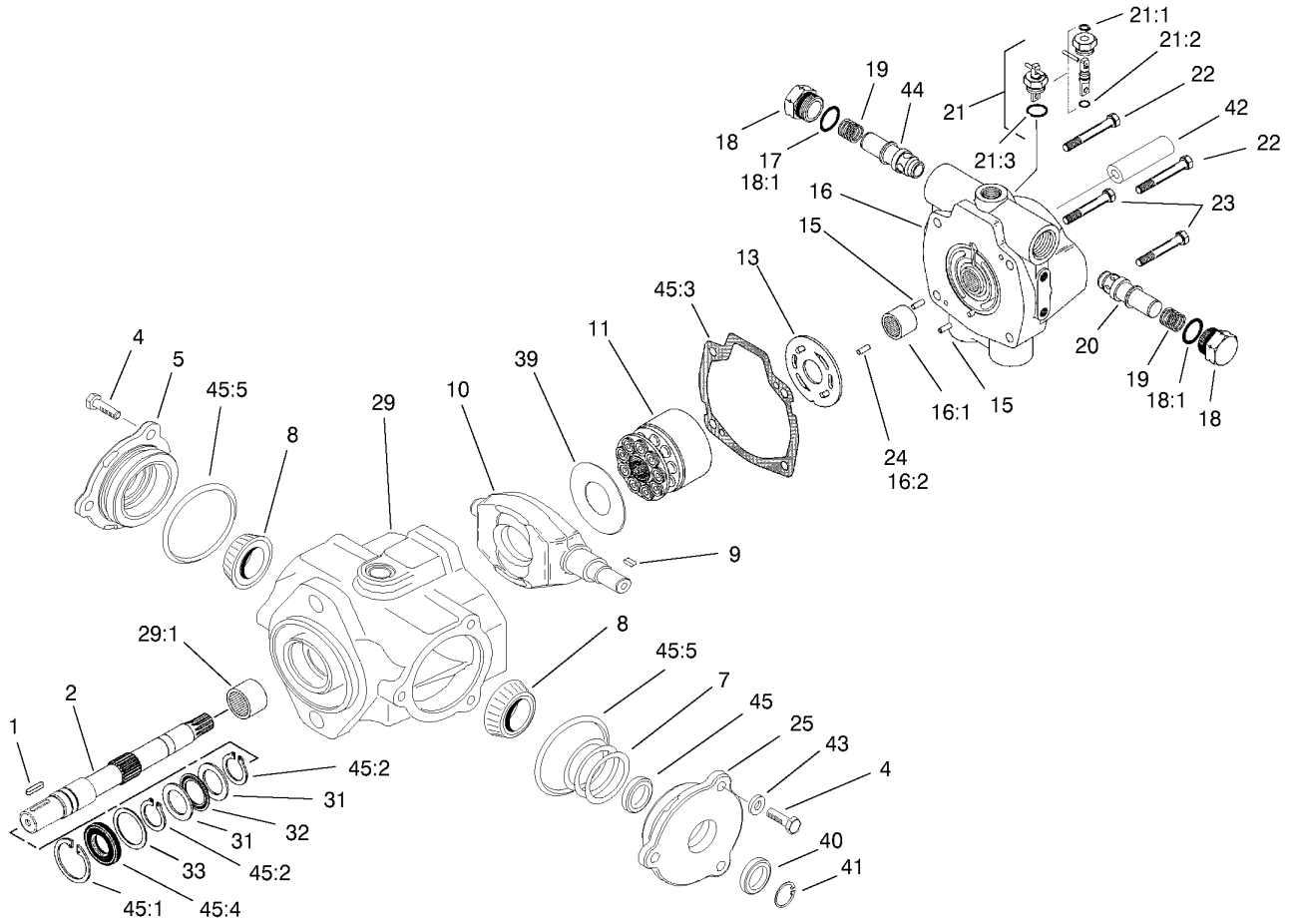
Ref	Part No.	Qty.	Description
14	99-3624	1	Shaft-Pivot, Idler
15	302-5	1	Fitting-Grease
16	32128-21	1	Nut-HF
17	32151-36	1	Ring-Retaining
18	323-10	1	Screw-HH
19	74-1810	1	Washer
20	99-3621	1	Pulley-Idler
21	99-3622	1	Spacer-Idler
22	100-4844	1	Spring-Torsion
23	99-3623-03	1	Arm-Idler
24	2412-34	1	Clamp-Hose
25	32128-43	4	Nut-Flange
26	323-19	2	Screw-HH
27	3234-11	4	Screw-HHF
28	99-3436-03	1	Support-Pump
29	99-3440	2	Spacer
30	33114-060	4	Screw-HH
31	87-8640	3	Washer-Flat
33	95-8933-03	1	Plate-Mount, Pump
34	95-8941	4	Spacer-Mount, Pump
35	99-3620	1	Pulley-3V, Pump
36	321-13	3	Screw-HH
37	3253-3	3	Washer-Lock
38	100-4813	1	Bushing-Lock, Taper



Piston Pump Assembly No. 104-4832

Ref	Part No.	Qty.	Description
1	94-3645	1	Key
2	94-6359	1	Shaft-Drive
4	98-4640	6	Screw-Cap
5	98-4633	1	Cover Plate ASM
7	100-3182	1	Shim Kit
8	98-4639	2	Bearing-Cone
9	94-3646	1	Key
10	99-3520	1	Plate-Cam
11	76-6070	1	Rotating Kit
13	104-0429	1	Plate-Cam
15	76-6150	2	Pin-Dowel
16	100-3177	1	Back Plate ASM
16:1	94-6368	1	Bearing
●16:2		1	Pin-Roll
●17		4	O-Ring
18	70-1240	2	Plug ASM
18:1	60-5980	1	O-Ring
19	76-6200	2	Spring
20	94-3644	1	Seat
21	100-3181	1	Dump Valve ASM
●21:1		1	Ring-Retaining
●21:2		1	O-Ring
●21:3		1	O-Ring
22	76-6170	2	Capscrew

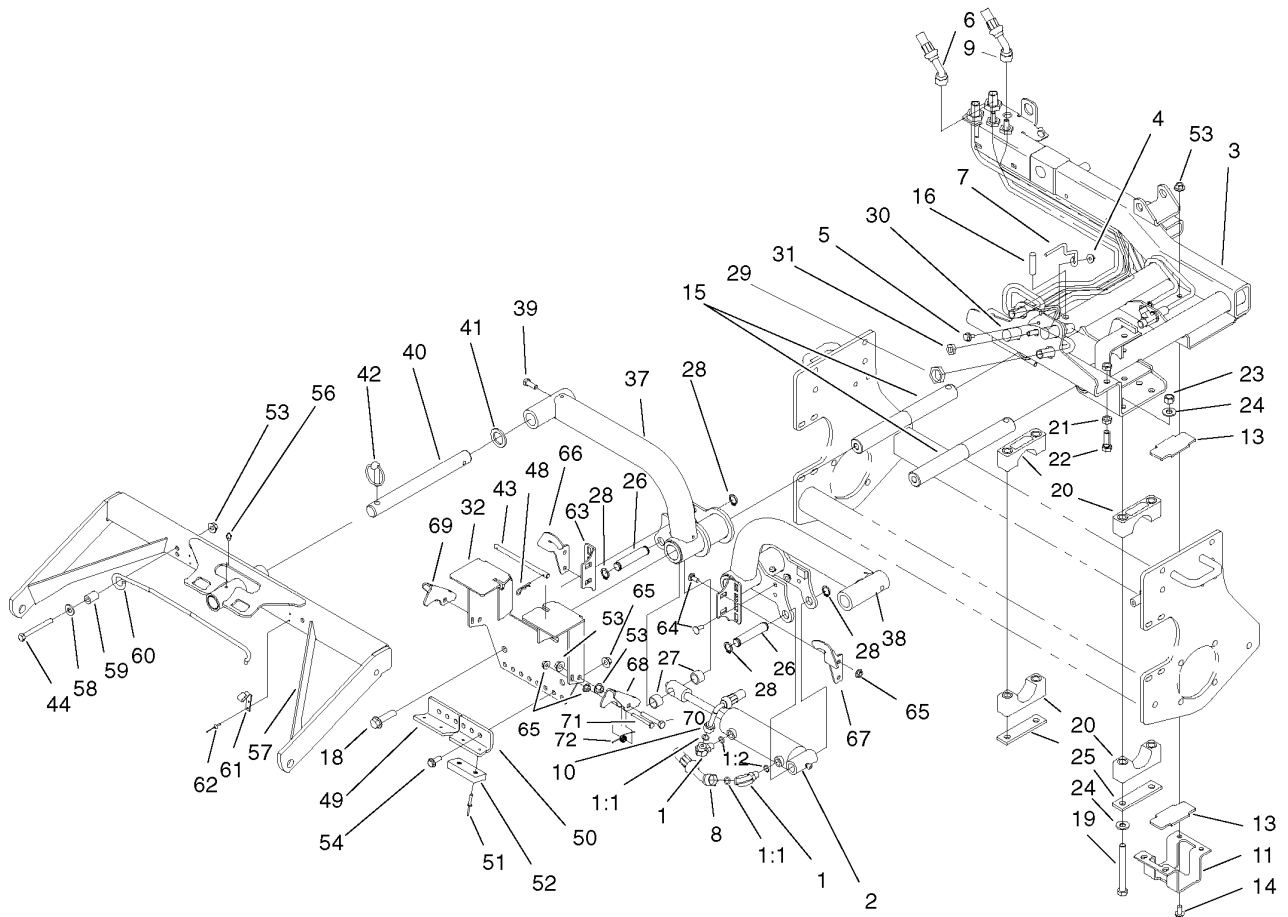
Ref	Part No.	Qty.	Description
23	76-6160	2	Capscrew
●24		1	Pin-Roll
25	98-4645	1	Plate-Cover
29	100-3176	1	Housing ASM
29:1	94-6363	1	Bearing
31	252-71	2	Washer-Thrust
32	252-66	1	Bearing-Thrust
33	33-3720	1	Washer
39	98-4635	1	Insert-Plate, Cam
●40		1	Seal-Shaft
●41		1	Ring-Retaining
42	74-9040	1	Coupler
43	95-6055	6	Washer
44	104-4837	1	Relief Valve ASM
45	104-4868	1	Seal Repair Kit
45:1	32151-13	1	Ring-Retaining
45:2	32151-29	1	Ring-Retaining
45:3	33-4930	1	Gasket-Housing
45:4	104-4861	1	Seal-Shaft
45:5	100-3179	1	O-Ring
●45:6		1	O-Ring
●45:7		1	Ring-Retaining
●45:8		1	O-Ring
●45:9		1	O-Ring



Piston Pump Assembly No. 104-4832 (continued)

Ref	Part No.	Qty.	Description
●45:10		1	Seal-Shaft

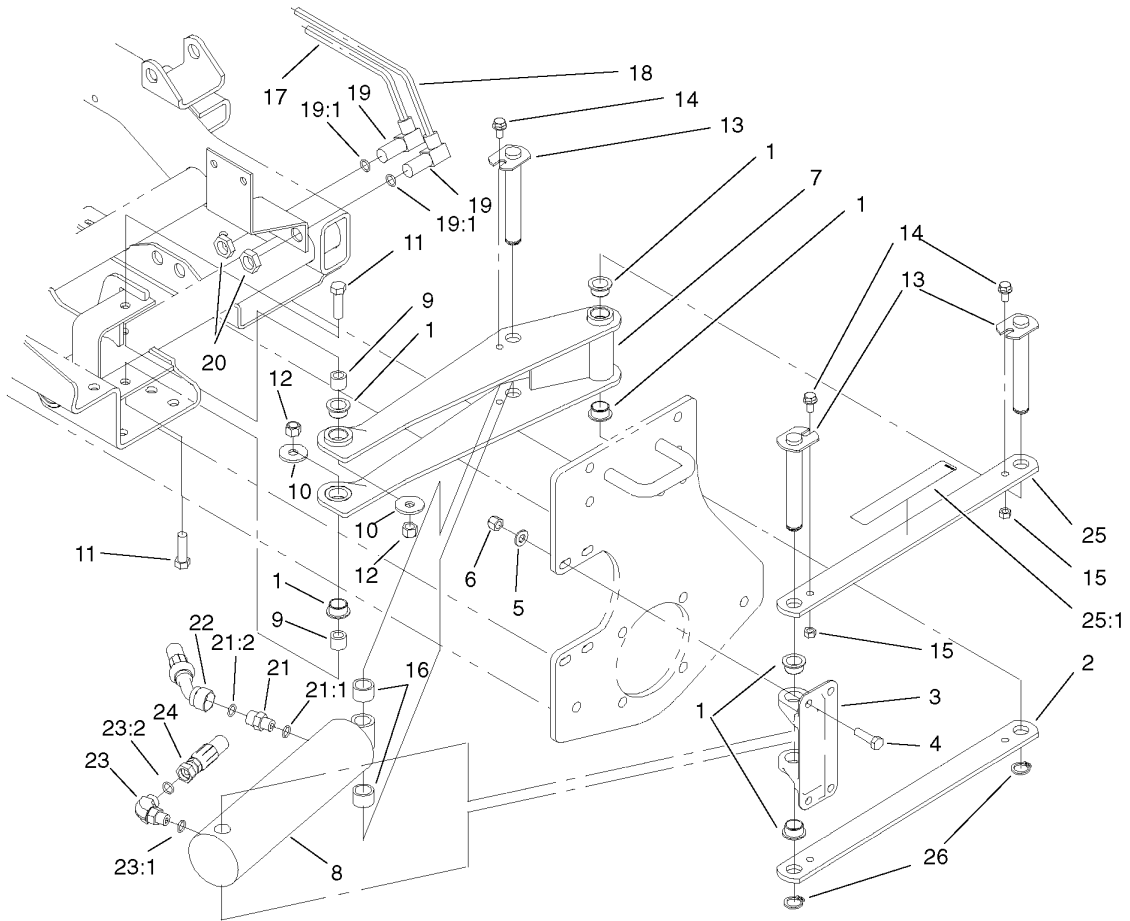
--	--	--	--



Carrier Assembly

Ref	Part No.	Qty.	Description
1	340-77	2	Fitting-HYD, 90°
1:1	237-22	1	O-Ring
1:2	237-42	1	O-Ring
2	95-8978	1	Cylinder-HYD
3	100-4939-03	1	Sidewinder Carrier ASM
4	32128-33	1	Nut-HF
5	3234-4	1	Screw-HHF
6	95-8822	1	Hose ASM
7	99-3433	1	Wire-Center
8	104-0405	1	Hose ASM
9	95-8821	1	Hose ASM
10	104-0406	1	Hose ASM
11	104-0416-03	1	Bracket-Slide
13	104-0417	2	Slide-Plastic
14	3234-1	4	Screw-HHF
15	95-8531	2	Shaft-Pivot, Liftarm
16	32121-122	2	Pin-Roll
18	3234-27	2	Screw-Flange
19	325-38	8	Screw-HH
20	95-8609	8	Cap-Bearing
21	3218-5	4	Nut-Jam
22	325-6	2	Screw-HH
23	3296-23	8	Nut-Lock, NI
24	87-7270	16	Washer-Thrust

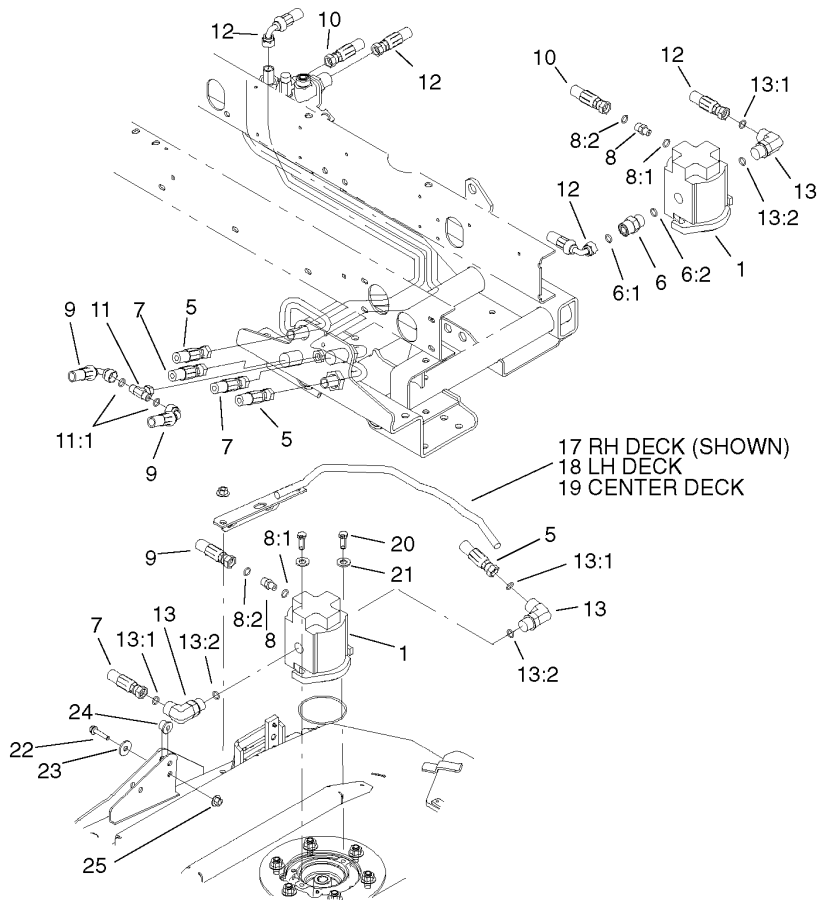
Ref	Part No.	Qty.	Description
25	99-3373	4	Bar-Support, Slide
26	95-8575	2	Pin
27	75-9590	2	Spacer-Cylinder
28	32120-93	4	Ring-Retaining
29	340-74	4	Locknut-Bulkhead
30	99-3640	1	Tube ASM
31	340-78	1	Locknut-Bulkhead
32	104-4820-03	1	Bracket-Stop, Carrier
37	104-0481	1	RH Liftarm ASM
38	104-0482	1	LH Liftarm ASM
39	323-6	2	Screw-HH
40	95-8979	2	Shaft
41	3-6781	2	Washer-Thrust
42	283-71	2	Pin-Lynch
43	104-0472	1	Rod
44	323-15	2	Screw-HH
48	3290-467	2	Pin-Hair
49	104-4639-03	1	Stop-Deck, LH
50	104-4640-03	1	Stop-Deck, RH
51	3269-11	4	Rivet
52	86-5350	2	Bumper-Rubber
53	32128-43	14	Nut-Flange
54	3234-11	4	Screw-HHF
56	302-5	2	Fitting-Grease



Scissor Assembly

Ref	Part No.	Qty.	Description
1	95-8526	6	Bushing-Plastic
2	95-8527-03	1	Link-Scissor
3	95-8883	1	Mount-Scissor
4	323-7	4	Screw-HH
5	3256-24	4	Washer-Flat
6	3296-39	4	Nut-Lock, NI
7	95-8521-03	1	Frame-Scissor
8	95-8512	1	Cylinder-HYD
9	95-8603	2	Spacer
10	87-5330	2	Washer
11	324-6	2	Screw-HH
12	3296-48	2	Nut-Lock NI
13	95-8529	3	Pin
14	3234-14	3	Screw-HHF
15	32152-1	3	Nut-Lock, NI
16	46-6350	2	Spacer
17	95-8790	1	Tube ASM
18	95-8791	1	Tube ASM
19	340-154	2	Union-Bulkhead
19:1	237-22	2	O-Ring
20	340-70	2	Locknut-Bulkhead
21	85-9720	1	Fitting-Orificed
21:1	237-78	1	O-Ring
21:2	237-21	1	O-Ring

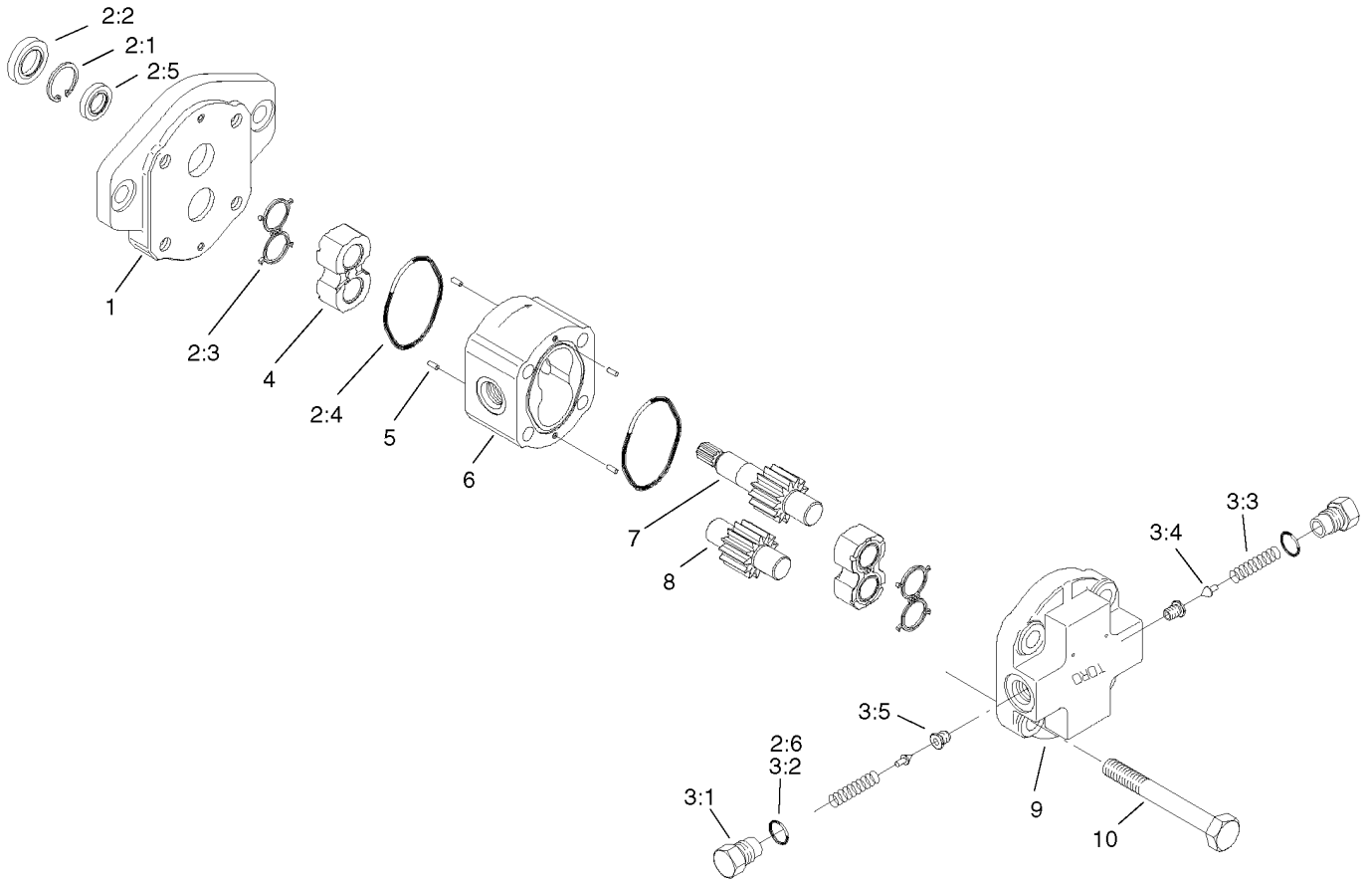
Ref	Part No.	Qty.	Description
22	95-8838	1	Hose ASM
23	340-132	1	Fitting-HYD, 90°
23:1	237-78	1	O-Ring
23:2	237-21	1	O-Ring
24	95-8839	1	Hose ASM
25	99-3505	1	Scissors Link ASM
25:1	94-3353	1	Decal-Point, Pinch
26	32120-93	2	Ring-Retaining



Deck Motor Assembly

Ref	Part No.	Qty.	Description
1	105-9820	3	Motor-HYD
5	105-1216	2	Hose ASM
6	340-7	1	Adapter
6:1	237-65	1	O-Ring
6:2	237-80	1	O-Ring
7	105-1215	2	Hose ASM
8	340-92	3	Fitting-HYD, Straight
8:1	237-78	1	O-Ring
8:2	237-21	1	O-Ring
9	104-1080	2	Hose ASM
10	100-4876	1	Hose ASM
11	99-3477	1	Fitting-Tee
11:1	237-42	2	O-Ring
12	100-4880	2	Hose ASM
13	340-17	5	Fitting-HYD, 90°
13:1	237-65	1	O-Ring
13:2	237-80	1	O-Ring
17	106-2677-01	1	RH Foot Guard ASM
18	106-2679-01	1	LH Foot Guard ASM
19	106-2653-01	1	Foot Guard ASM
20	3274-7	6	Screw-HSH
21	3256-24	6	Washer-Flat
22	3234-18	6	Screw-HHF
23	93-8806	6	Washer-Hardened

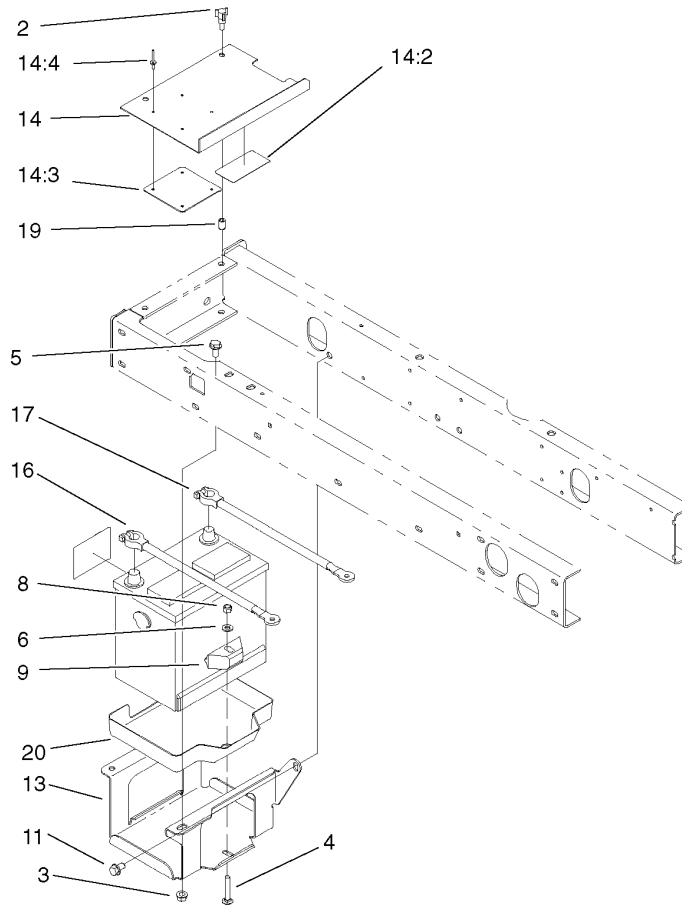
Ref	Part No.	Qty.	Description
24	95-8803	6	Bushing-Flange
25	32128-43	6	Nut-Flange



Hydraulic Motor Assembly No. 105-9820

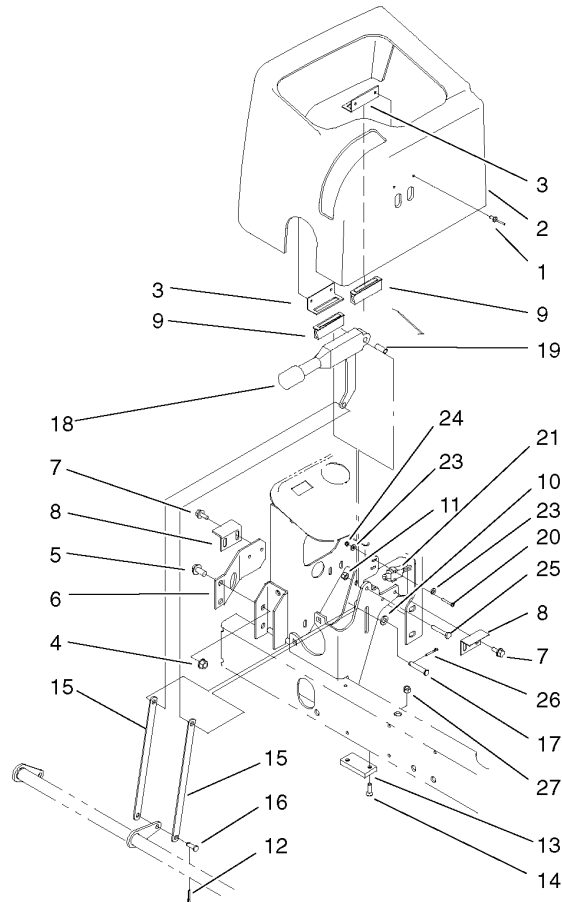
Ref	Part No.	Qty.	Description
1		1	Flange
2	105-9191	1	Seal Kit
2:1		1	Ring-Retaining
2:2		1	Seal-Shaft
2:3		2	Seal
2:4		2	O-Ring
2:5		1	Seal-Shaft
2:6		2	O-Ring
3	105-9192	2	Relief Valve Kit
3:1		1	Cap-Rv
3:2		1	O-Ring
3:3		1	Spring
3:4		1	Poppet
3:5		1	Seat-Rv
4		2	Block-Bushing
5		4	Pin-Dowel
6		1	Housing
7		1	Gear-Drive
8		1	Gear-Idler
9		1	Block-Valve
10		4	Bolt

--	--	--	--



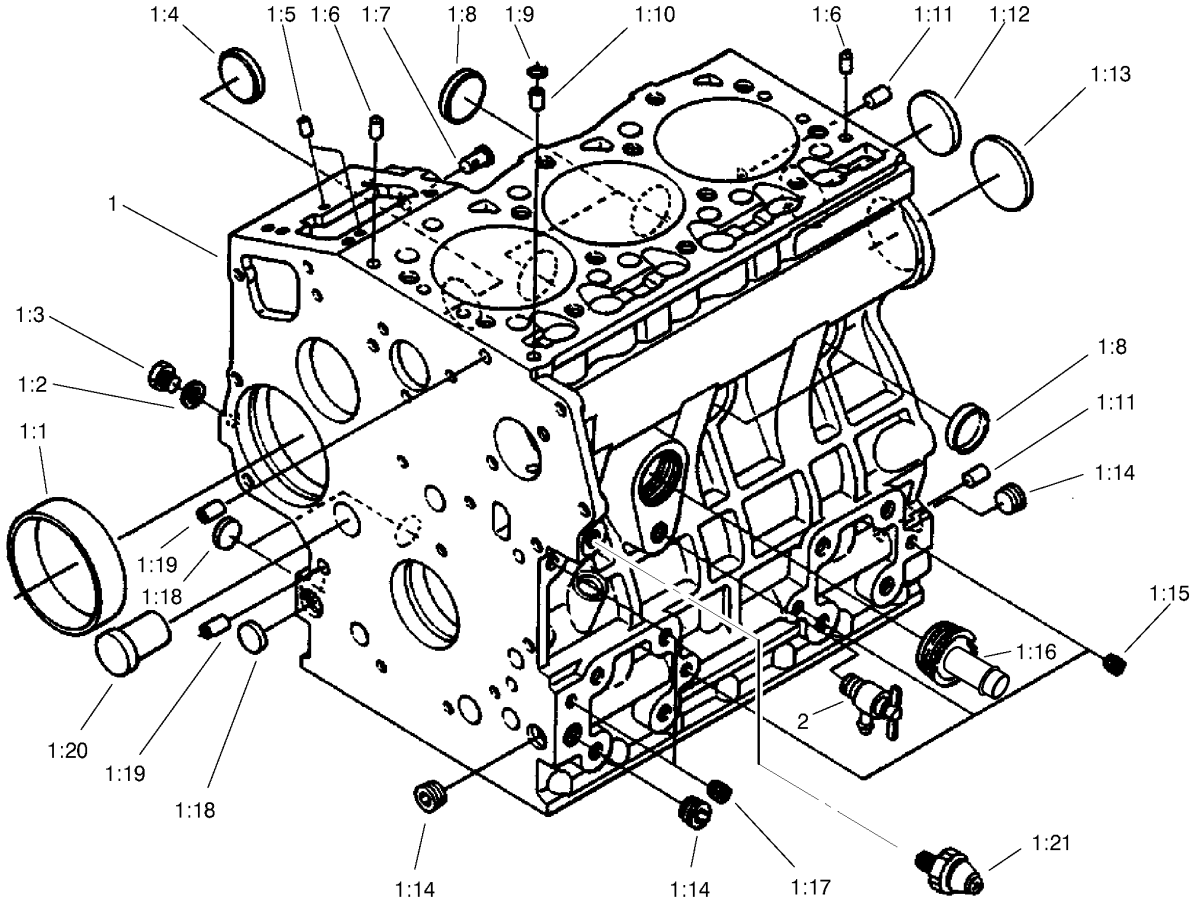
Battery Assembly

Ref	Part No.	Qty.	Description				
2	233-70	2	Knob-3 Star				
3	32128-43	3	Nut-Flange				
4	3230-6	1	Screw-CARR				
5	3234-1	3	Screw-HHF				
6	3256-23	1	Washer-Flat				
8	3296-29	1	Nut-Lock, NI				
9	66-2490	1	Retainer-Battery				
11	32144-15	1	Screw				
13	95-8796-03	1	Support-Battery				
14	99-3602	1	Cover-Battery				
14:2	93-7276	1	Decal-Danger				
14:3	87-7620	1	Shield-Terminal, Battery				
14:4	3269-27	4	Rivet-Snap				
16	95-8853	1	Cable-Battery, Positive				
17	95-8854	1	Cable-Battery, Negative				
19	32148-6	2	Nut-Insert				
20	99-3513	1	Tray-Battery				



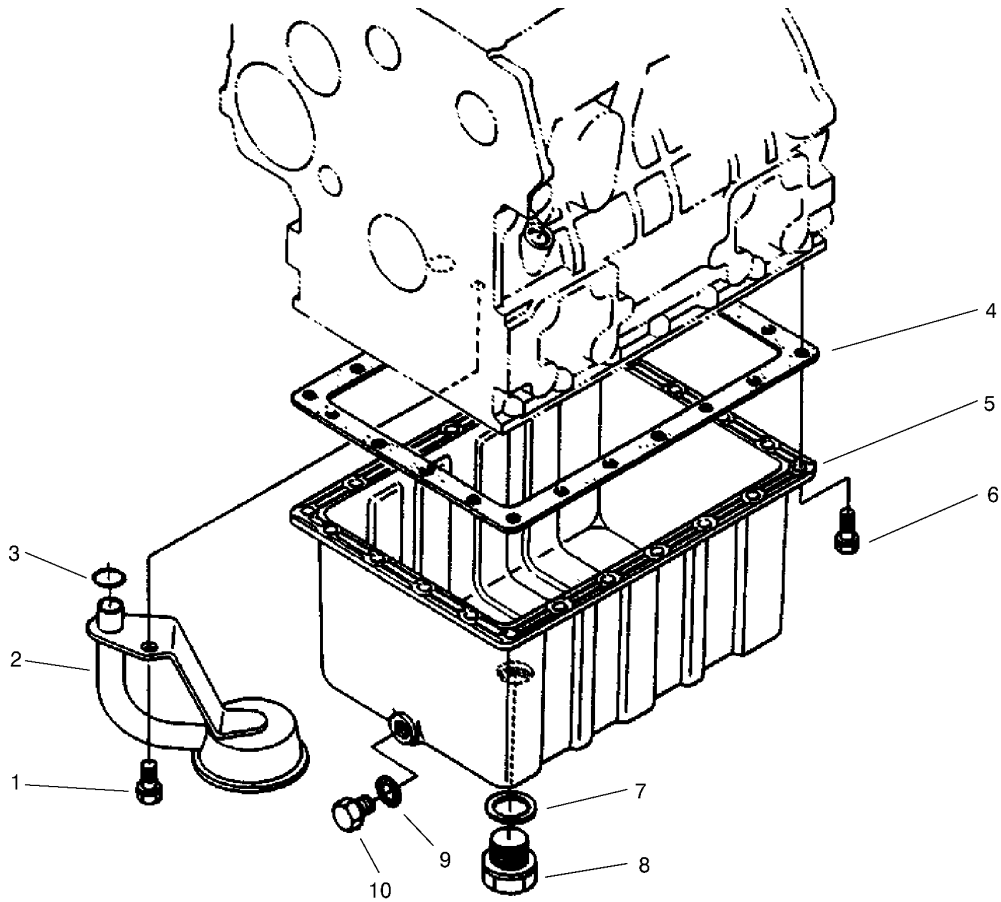
Parking Brake Assembly

Ref	Part No.	Qty.	Description	Ref	Part No.	Qty.	Description
1	3269-5	4	Rivet	26	3272-6	1	Pin-Cotter
2	95-8707	1	Cover-Dash	27	32128-32	2	Nut-HHF
3	95-8763	2	Bracket-Hold Down, Cover				
4	32128-43	2	Nut-Flange				
5	3234-1	2	Screw-HHF				
6	95-8764-03	1	Support-Magnet				
7	32144-10	4	Screw-HWH				
8	95-8765	2	Bracket-Strike, Magnet				
9	58-4250	2	Catch-Magnetic				
10	3256-23	1	Washer-Flat				
11	3296-42	1	Nut-Lock, NI				
12	3272-10	1	Pin-Cotter				
13	95-8684	1	Pad-Bumper				
14	3289-4	2	Screw-FH				
15	104-4628-03	2	Link-Brake, Parking				
16	283-62	1	Pin-Clevis				
17	94-3829	1	Pin-Clevis				
18	104-4817	1	Lever-Brake				
19	87-4710	1	Spacer-Brake, Parking				
20	32105-9	2	Screw				
21	95-8900	1	Switch				
23	3256-21	4	Washer-Flat				
24	3296-9	2	Nut-Lock NI				
25	321-10	1	Screw-HH				



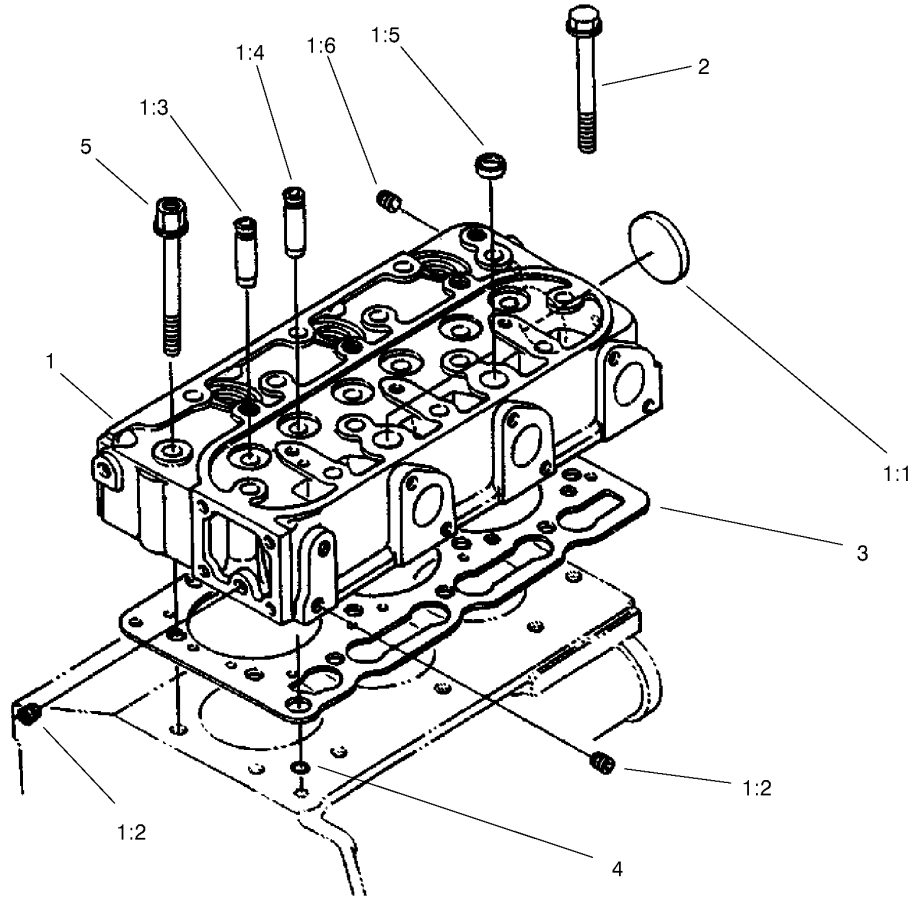
Crankcase Assembly

Ref	Part No.	Qty.	Description
1	99-8300	1	Crankcase ASM
1:1	98-9656	1	Bushing-Governor, Gear
1:2	98-7428	1	Gasket
1:3	98-7507	1	Plug
1:4	98-9599	1	Plug
1:5	98-9375	2	Pin-Straight
1:6	98-9376	2	Pin-Straight
1:7	98-9630	1	Pin-Spring, Start
1:8	98-9398	4	Cap-Sealing
1:9	98-7509	1	O-Ring
1:10	98-9539	1	Pin-Pipe
1:11	98-9377	2	Pin-Straight
1:12	98-7539	1	Cap-Sealing
1:13	98-9668	1	Plug
1:14	98-9597	3	Plug
1:15	98-7540	3	Cap-Sealing
1:16	99-8347	1	Joint-Pipe, Drain
1:17	98-7487	2	Plug
1:18	98-9379	3	Plug
1:19	98-9387	2	Pin-Pipe
1:20	98-9675	1	Plug
1:21	98-9416	1	Switch-Oil
2	98-9436	1	Drain Cock ASM



Oil Pan Assembly

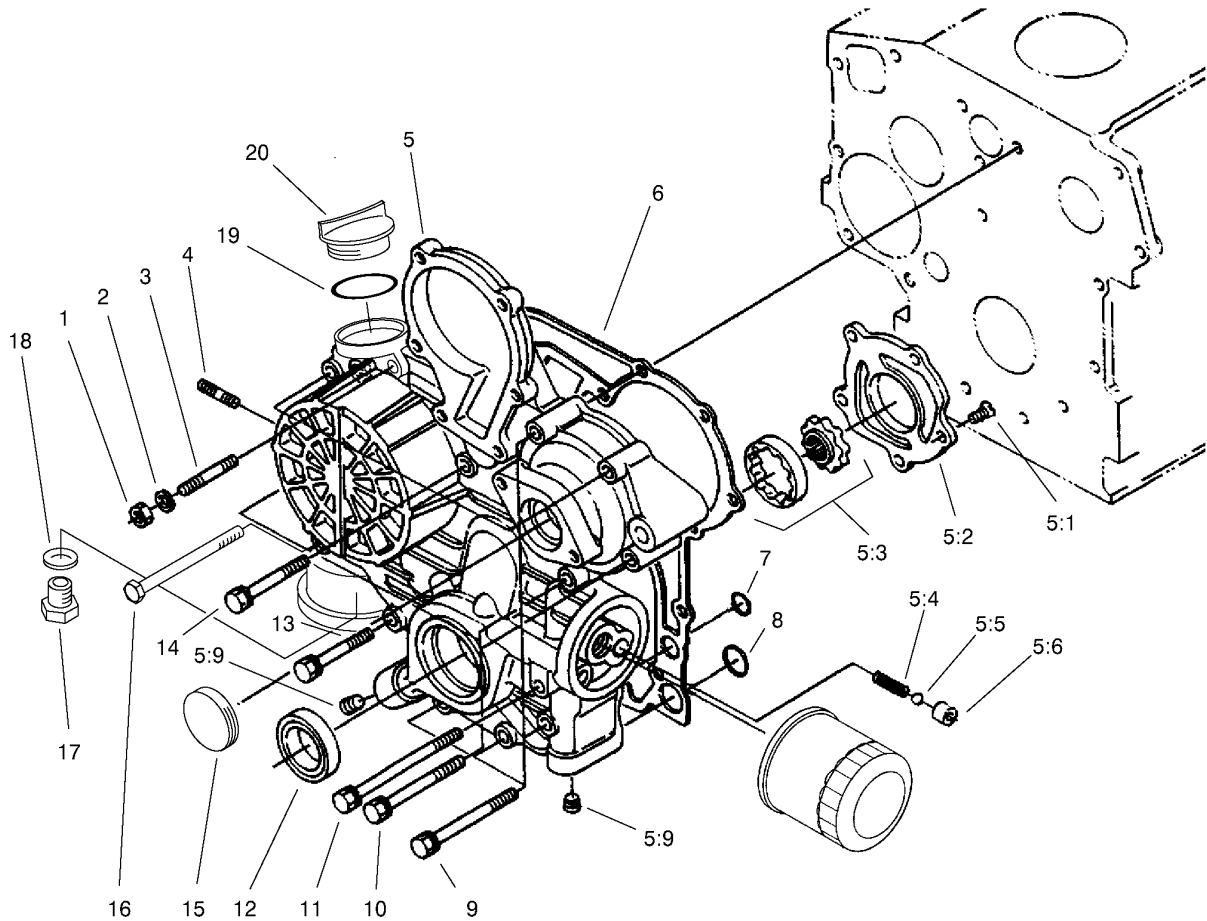
Ref	Part No.	Qty.	Description
1	98-9358	1	Bolt
2	98-9538	1	Filter-Oil
3	98-7527	1	O-Ring
4	98-9646	1	Gasket-Pan, Oil
5	98-9685	1	Drain-Oil
6	98-9350	22	Bolt
7	98-9399	1	Gasket
8	98-7523	1	Plug-Drain
9	98-7524	1	Gasket
10	98-9386	1	Plug



Cylinder Head Assembly

Ref	Part No.	Qty.	Description
1	99-8344	1	Cylinder Head ASM
1:1	98-9395	1	Cap-Sealing
1:2	98-7540	2	Cap-Sealing
1:3	98-9499	3	Guide-Valve, Inlet
1:4	98-9500	3	Guide-Valve, Exhaust
1:5	98-9389	2	Cap-Sealing
1:6	98-9444	1	Plug
2	98-9479	12	Bolt-Head, Cylinder
3	98-9613	1	Gasket-Head, Cylinder
4	98-7509	1	O-Ring
5	98-9647	2	Bolt-Head, Cylinder

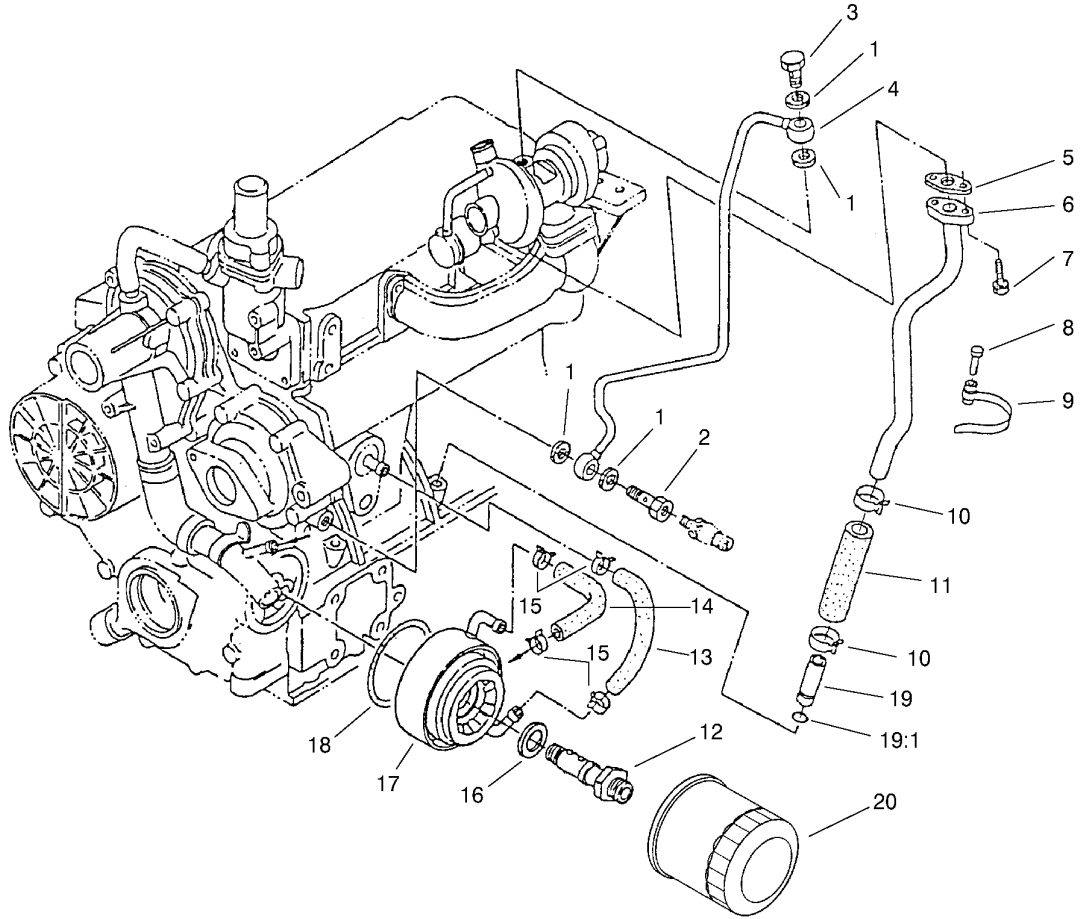
--	--	--	--



Grease and Oil Filter Assembly

Ref	Part No.	Qty.	Description
1	98-7572	1	Nut
2	98-9367	1	Washer-Spring
3	98-9363	1	Stud
4	98-9362	2	Stud
5	104-4886	1	Gear Case ASM
5:1	98-9592	5	Screw
5:2	105-3708	1	Cover-Pump, Oil
5:3	98-9540	1	Oil Pump Rotor ASM
5:4	98-9544	1	Spring
5:5	98-9380	1	Ball
5:6	98-9543	1	Seat-Valve
5:9	98-9598	2	Plug
6	98-9633	1	Gasket-Case, Gear
7	98-9372	2	O-Ring
8	98-7547	2	O-Ring
9	98-9356	2	Bolt
10	98-9355	6	Bolt
11	99-3510	2	Bolt
12	98-9482	1	Seal-Oil
13	98-9437	1	Bolt
14	98-7496	3	Bolt
15	99-3515	1	Plug-Gearcase
16	99-3511	1	Bolt
17	99-3450	2	Plug

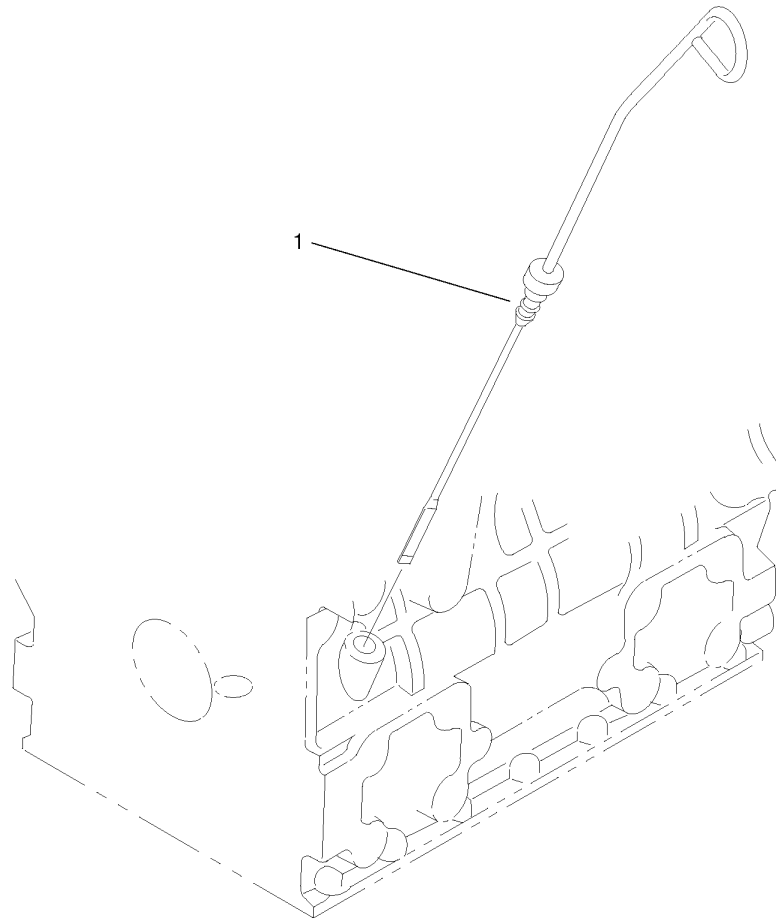
Ref	Part No.	Qty.	Description
18	99-3451	1	Plug-Packing
19	98-7430	1	O-Ring
20	98-9449	1	Plug-Filler, Oil



Filter, Oil Cooler, and Pipe Assembly

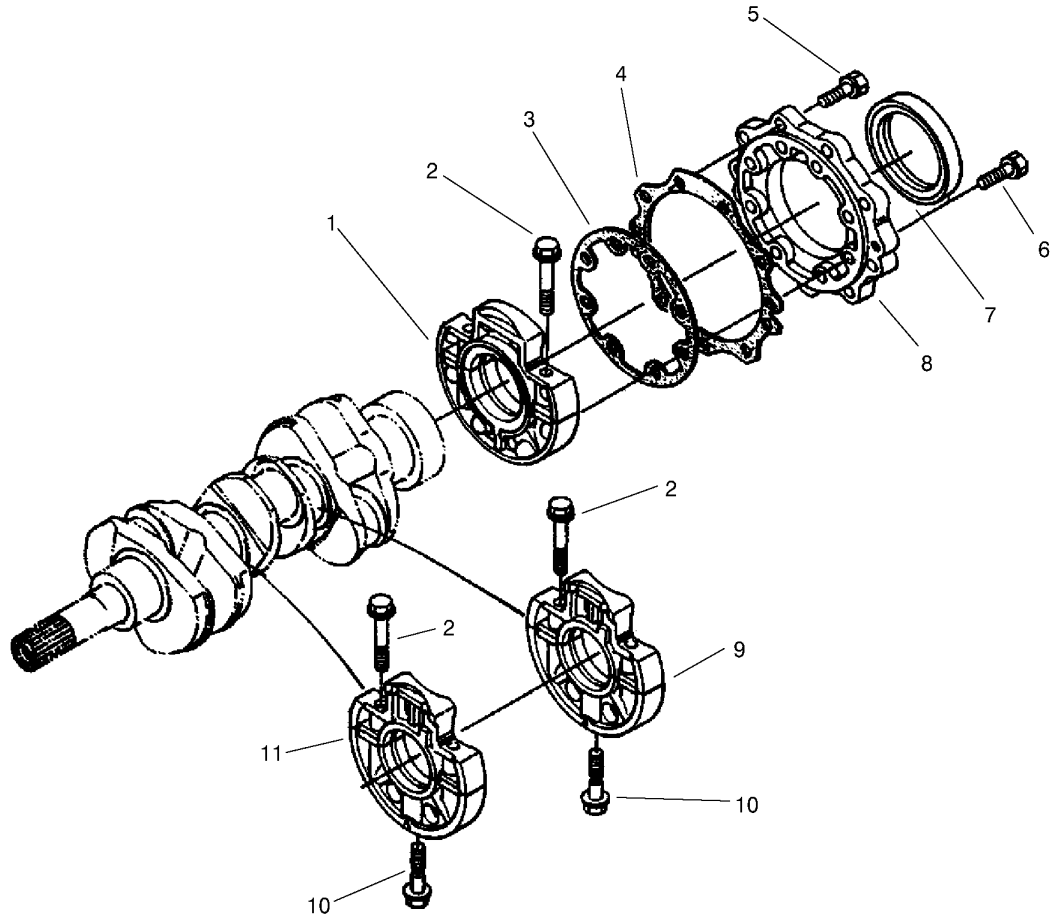
Ref	Part No.	Qty.	Description
1	99-8346	4	Gasket
2	98-9417	1	Bolt-Joint, Eye
3	98-9418	1	Bolt-Joint, Eye
4	98-9419	1	Oil Pipe ASM
5	98-9435	1	Gasket-Oil Return, Turbo
6	98-9461	1	Pipe Line ASM
7	98-7568	2	Bolt
8	98-9591	1	Pin-Band
9	98-9601	1	Clamp-Pipe
10	98-9714	2	Clamp-Hose
11	98-9721	1	Pipe-Oil
12	98-9723	1	Holder ASM
13	98-9724	1	Pipe-Cooler, Oil
14	98-9578	1	Pipe-Return, Water
15	98-9579	4	Band-Pipe
16	98-9727	1	Collar
17	98-9728	1	Oil Cooler ASM
18	98-9729	1	O-Ring
19	99-8383	1	Oil Pipe ASM
19:1	98-9722	1	O-Ring
20	99-8384	1	Filter-Oil

--	--	--	--



Dipstick Assembly

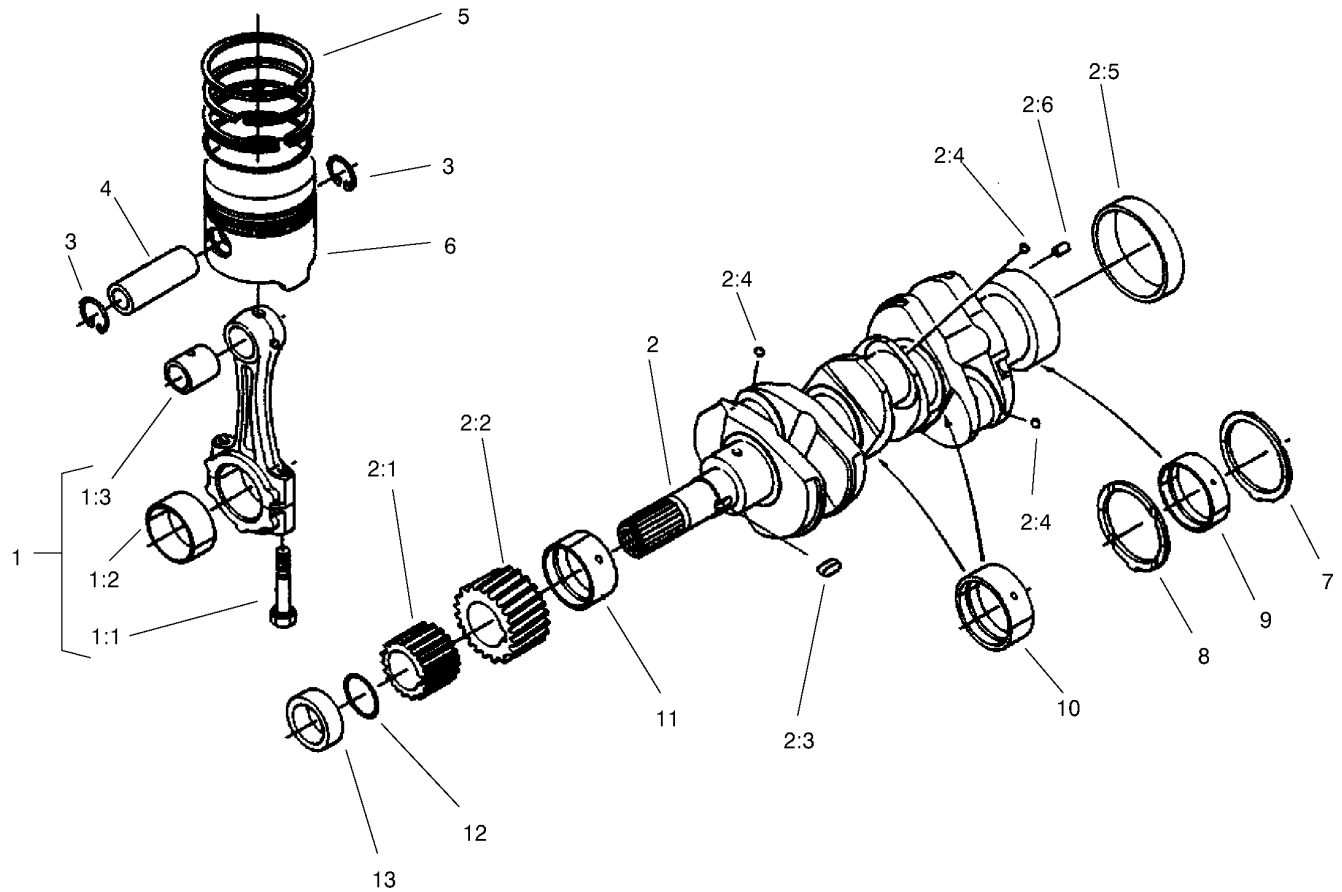
Ref	Part No.	Qty.	Description				
1	104-4801	1	Dipstick				



Main Bearing Case Assembly

Ref	Part No.	Qty.	Description
1	98-9480	1	Main Bearing Case ASM
2	98-9484	6	Bolt-Case, Bearing
3	98-9634	1	Gasket-Case, Bearing
4	98-9635	1	Gasket-Cover, Bearing Case
5	98-7568	9	Bolt
6	98-9352	8	Bolt
7	98-9483	1	Seal-Oil
8	98-9487	1	Cover-Case, Bearing
9	99-8360	1	Case-Bearing, Main
10	98-9485	2	Bolt-Case, Bearing
11	99-8361	1	Case-Bearing, Main

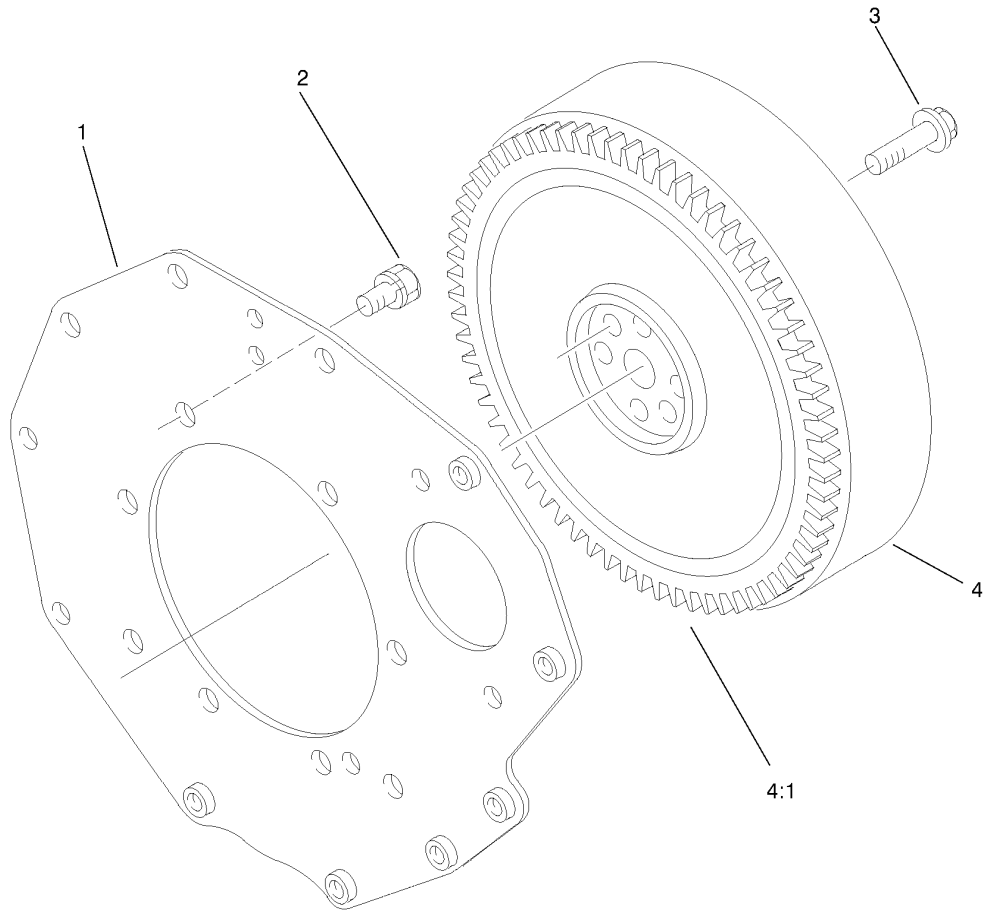
--	--	--	--



Piston and Crankshaft Assembly

Ref	Part No.	Qty.	Description
1	98-9552	3	Connecting Rod ASM
1:1	98-9517	6	Bolt-Rod, Connecting
1:2	98-9519	3	Bearing-Rod (0.2Mm)
1:2	98-9520	3	Bearing-Rod (0.4Mm)
1:2	98-9553	3	Bearing-Rod (STD)
1:3	98-9515	3	Bushing-Pin, Piston
2	98-9642	1	Crankshaft ASM
2:1	98-9542	1	Gear-Drive, Oil Pump
2:2	98-9532	1	Gear-Crankshaft
2:3	98-9666	1	Key
2:4	98-7473	3	Ball
2:5	98-9522	1	Sleeve-Crankshaft
2:6	98-9375	1	Pin-Straight
3	98-9514	6	Clip-Circular, Piston Pin
4	98-9513	3	Pin-Piston
5	98-9619	3	Piston Ring ASM (0.5Mm)
5	98-9551	3	Piston Ring ASM (STD)
6	98-9550	3	Piston (STD)
6	98-9470	3	Piston (0.5Mm)
7	98-9413	2	Bearing-Thrust (STD)
7	98-9414	2	Bearing-Thrust (0.2Mm)
7	98-9415	2	Bearing-Thrust (0.4Mm)
8	98-9688	2	Bearing-Thrust (STD)
8	98-9689	2	Bearing-Thrust (0.2Mm)

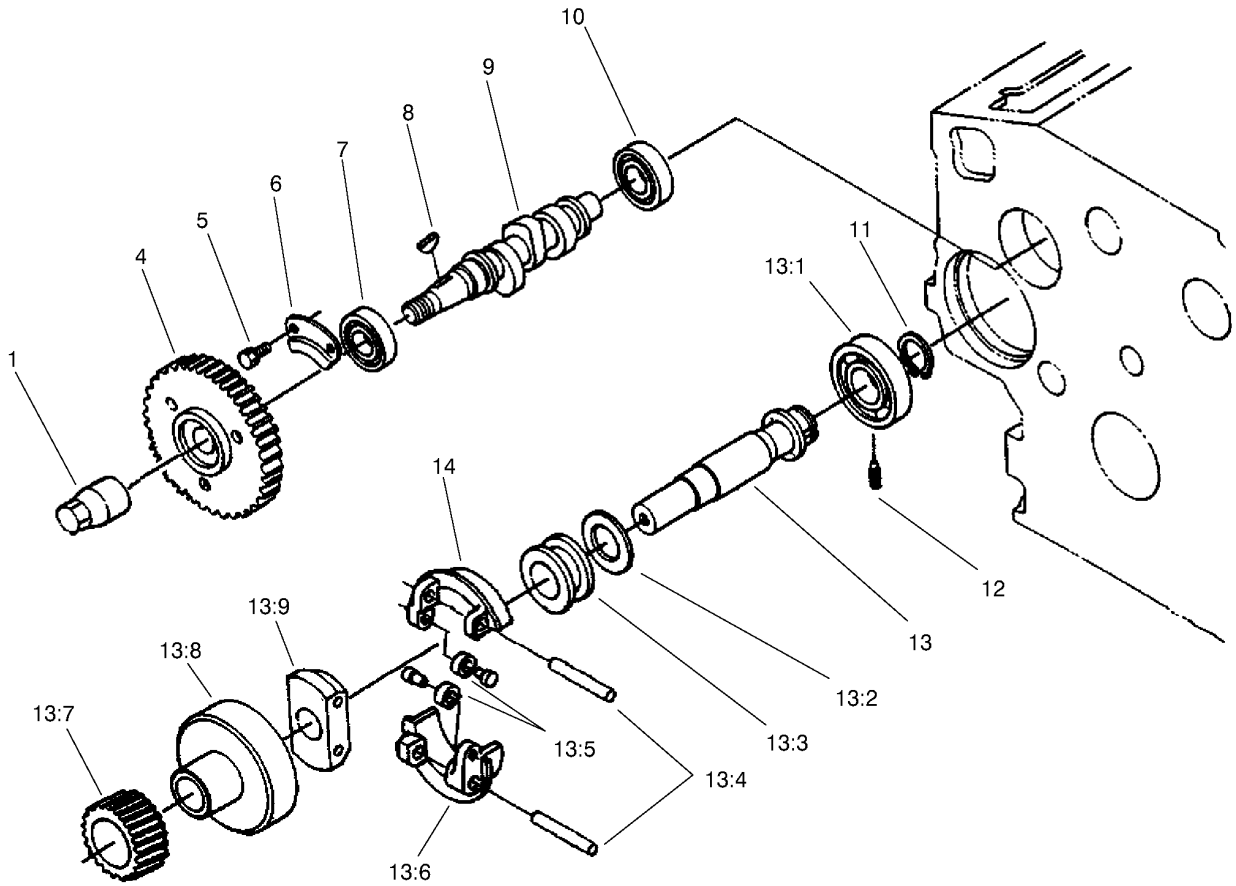
Ref	Part No.	Qty.	Description
8	98-9690	2	Bearing-Thrust (0.4Mm)
9	98-9526	1	Bearing-Main (0.2Mm)
9	98-9527	1	Bearing-Main (0.4Mm)
9	98-9556	1	Bearing-Main (STD)
10	98-9530	2	Bearing-Main (0.2Mm)
10	98-9531	2	Bearing-Main (0.4Mm)
10	98-9555	2	Bearing-Main (STD)
11	98-9528	1	Bearing-Main (0.2Mm)
11	98-9529	1	Bearing-Main (0.4Mm)
11	98-9554	1	Bearing-Main (STD)
12	98-9373	1	O-Ring
13	98-9521	1	Collar-Crankshaft



Flywheel Assembly

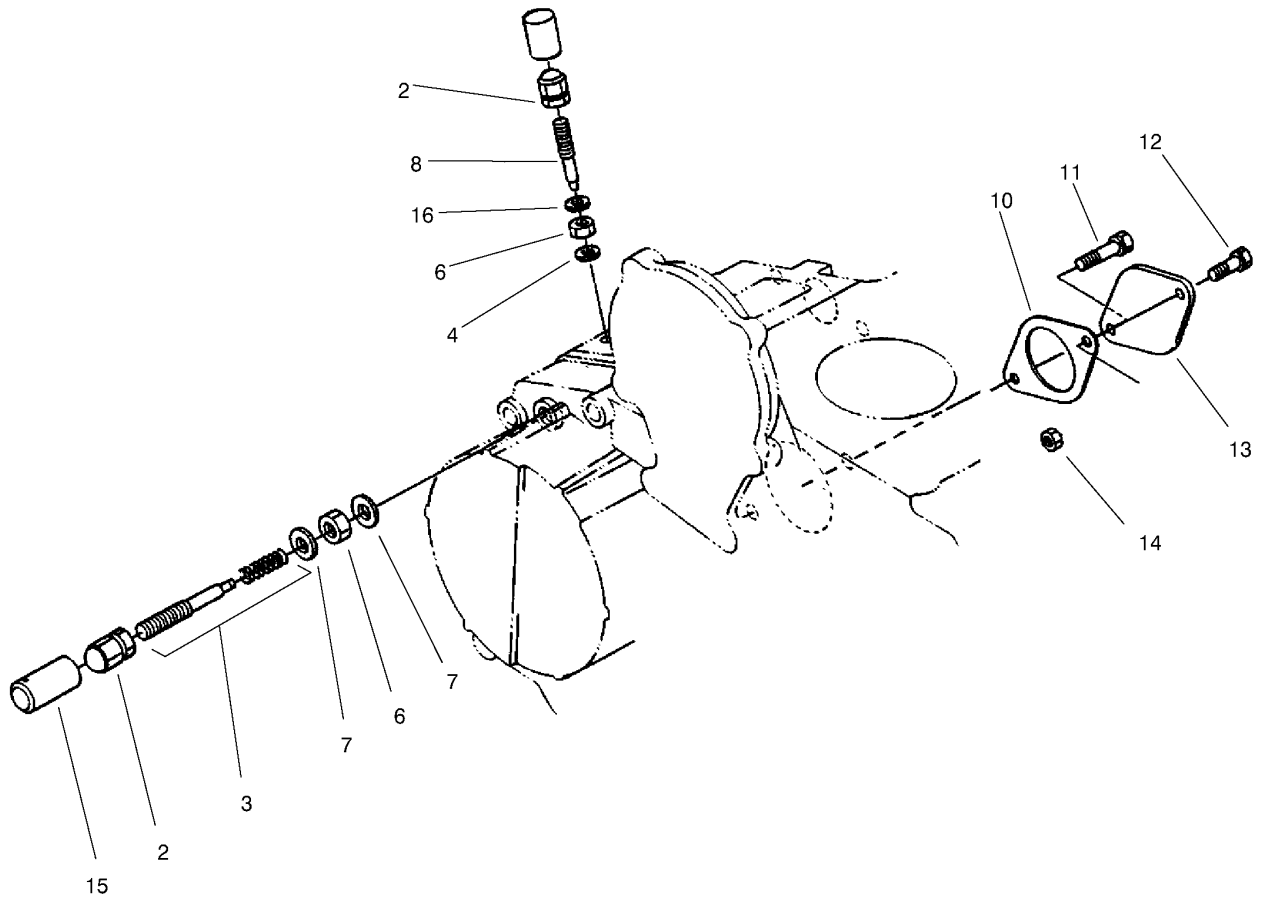
Ref	Part No.	Qty.	Description
1	98-9486	1	Plate-End, Rear
2	98-9392	8	Bolt
3	98-9537	6	Bolt-Flywheel
4	98-9691	1	Flywheel ASM
4:1	98-9394	1	Gear-Ring

--	--	--	--



Fuel Camshaft Assembly

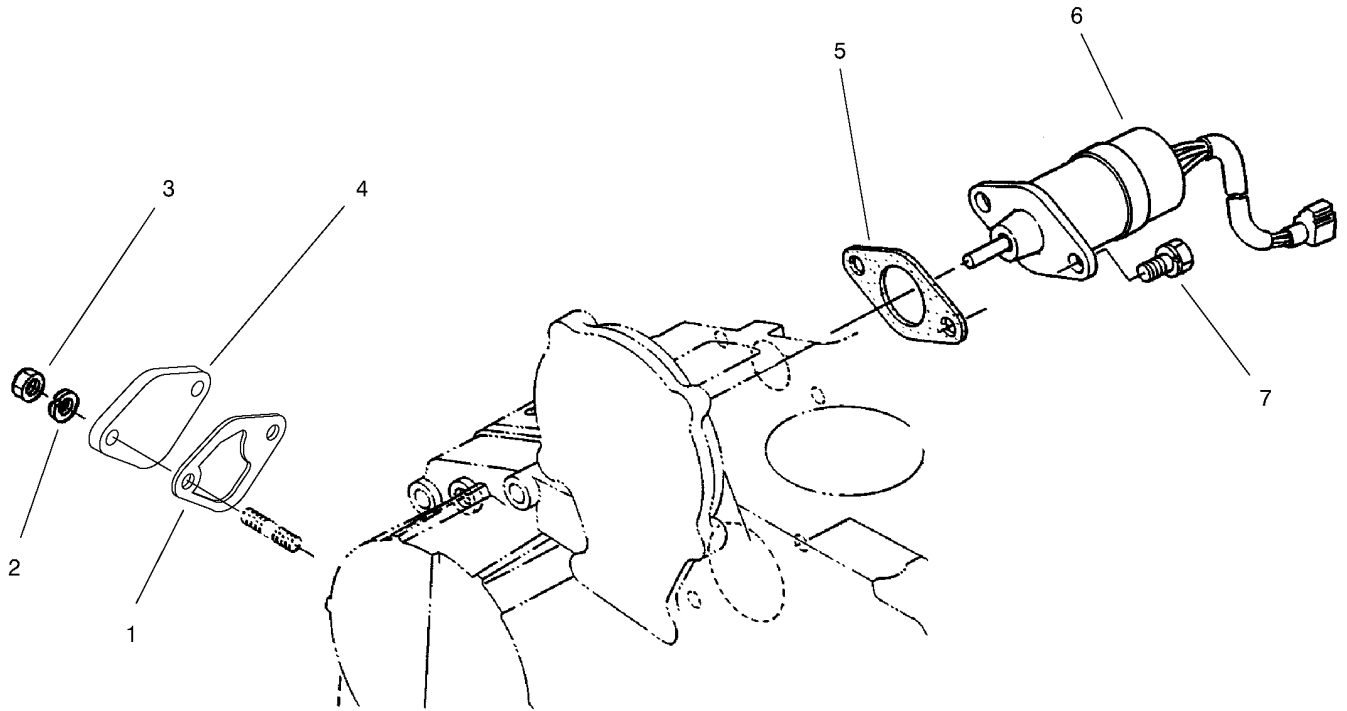
Ref	Part No.	Qty.	Description
1	98-9590	1	Nut-Cap
4	98-9669	1	Gear-Pump, Injection
5	98-9350	2	Bolt
6	98-9511	1	Stopper-Fuel, Camshaft
7	98-9383	1	Bearing-Ball
8	98-9595	1	Key-Woodruff
9	98-9459	1	Camshaft-Fuel
10	98-9382	1	Bearing-Ball
11	98-9657	1	Clip-Circular, Governor Shaft
12	98-9565	1	Screw-Set
13	98-9644	1	Governor Shaft ASM
13:1	98-9381	1	Bearing-Ball
13:2	98-9564	1	Washer-Thrust
13:3	98-9563	1	Sleeve-Governor
13:4	98-9560	2	Shaft-Weight, Governor
13:5	98-9692	2	Roller
13:6	98-9559	2	Governor Weight ASM
13:7	98-9673	1	Gear-Governor
13:8	98-9562	1	Holder-Gear, Governor
13:9	98-9561	1	Holder-Weight, Governor
14	98-9559	2	Governor Weight ASM



Engine Stop Lever Assembly

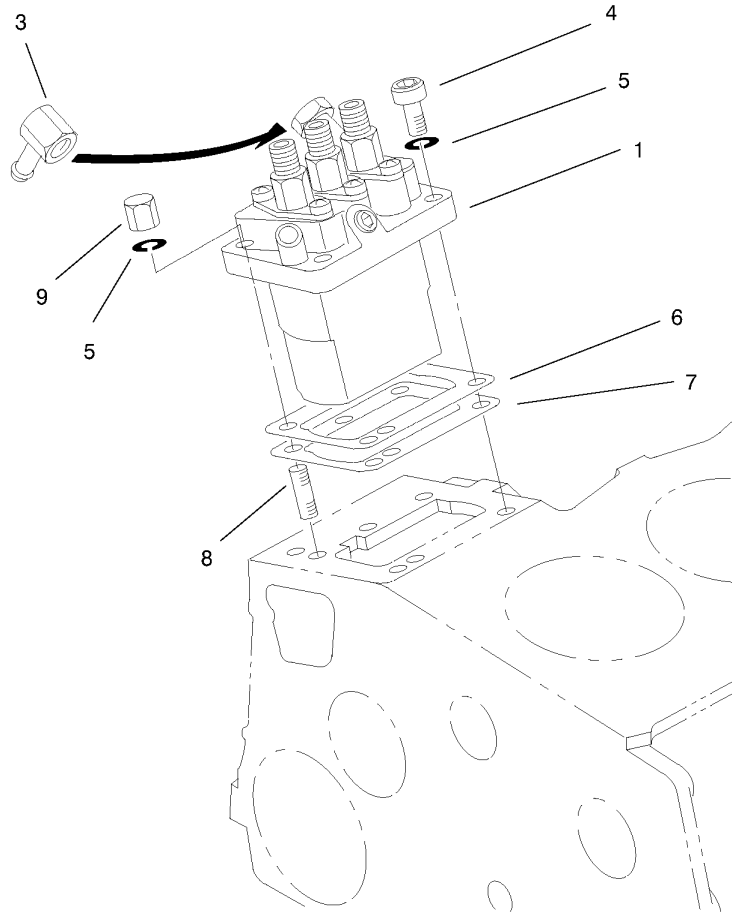
Ref	Part No.	Qty.	Description
2	98-9441	2	Nut-Cap
3	104-4802	1	Adjusting Bolt ASM
4	99-8389	1	Gasket
6	98-9439	2	Nut
7	98-7654	1	Gasket
8	98-9557	1	Bolt-Adjusting
10	98-9674	1	Packing
11	98-7645	1	Bolt
12	98-9359	1	Bolt
13	98-9640	1	Cover-Pump
14	98-7534	1	Nut
15	98-9558	1	Cap
16	99-8388	1	Gasket

--	--	--	--



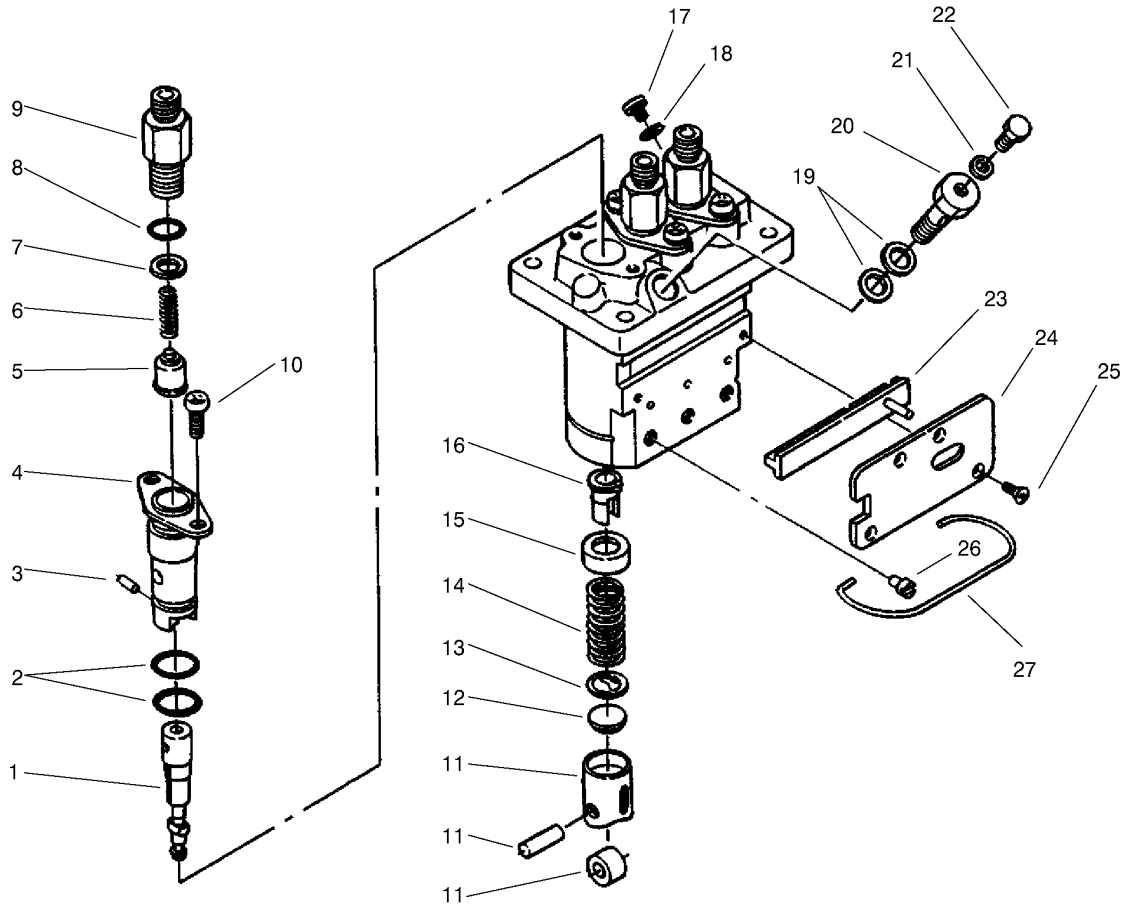
Stop Solenoid and Fuel Pump Assembly

Ref	Part No.	Qty.	Description
1	98-9636	1	Gasket-Pump, Fuel
2	98-9367	2	Washer-Spring
3	98-7572	2	Nut
4	99-3514	1	Cover
5	98-9683	1	Gasket-Cover, Solenoid
6	98-9693	1	Solenoid-Stop
7	98-9351	2	Bolt



Injection Pump Installation Assembly

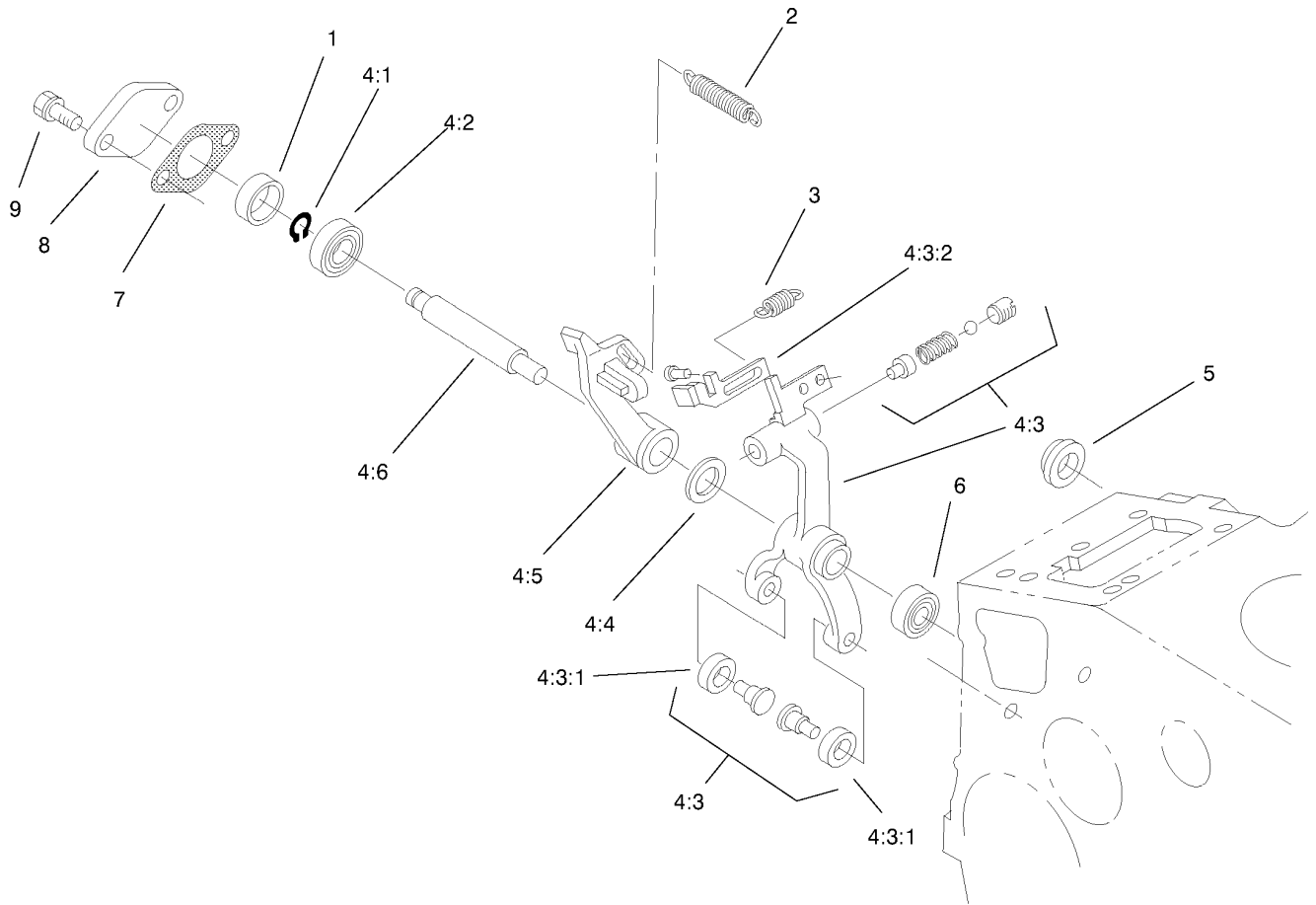
Ref	Part No.	Qty.	Description
1	98-9643	1	Injection Pump ASM
3	98-9596	1	Joint-Eye
4	98-9361	2	Bolt-HSH
5	98-9367	4	Washer-Spring
6	98-9457	1	Shim-Injection (0.25Mm)
6	98-9456	1	Shim-Injection (0.20Mm)
7	98-9458	1	Shim-Injection (0.30Mm)
8	98-9438	2	Stud
9	98-9440	2	Nut-Cap



Injection Pump Assembly No. 98-9643

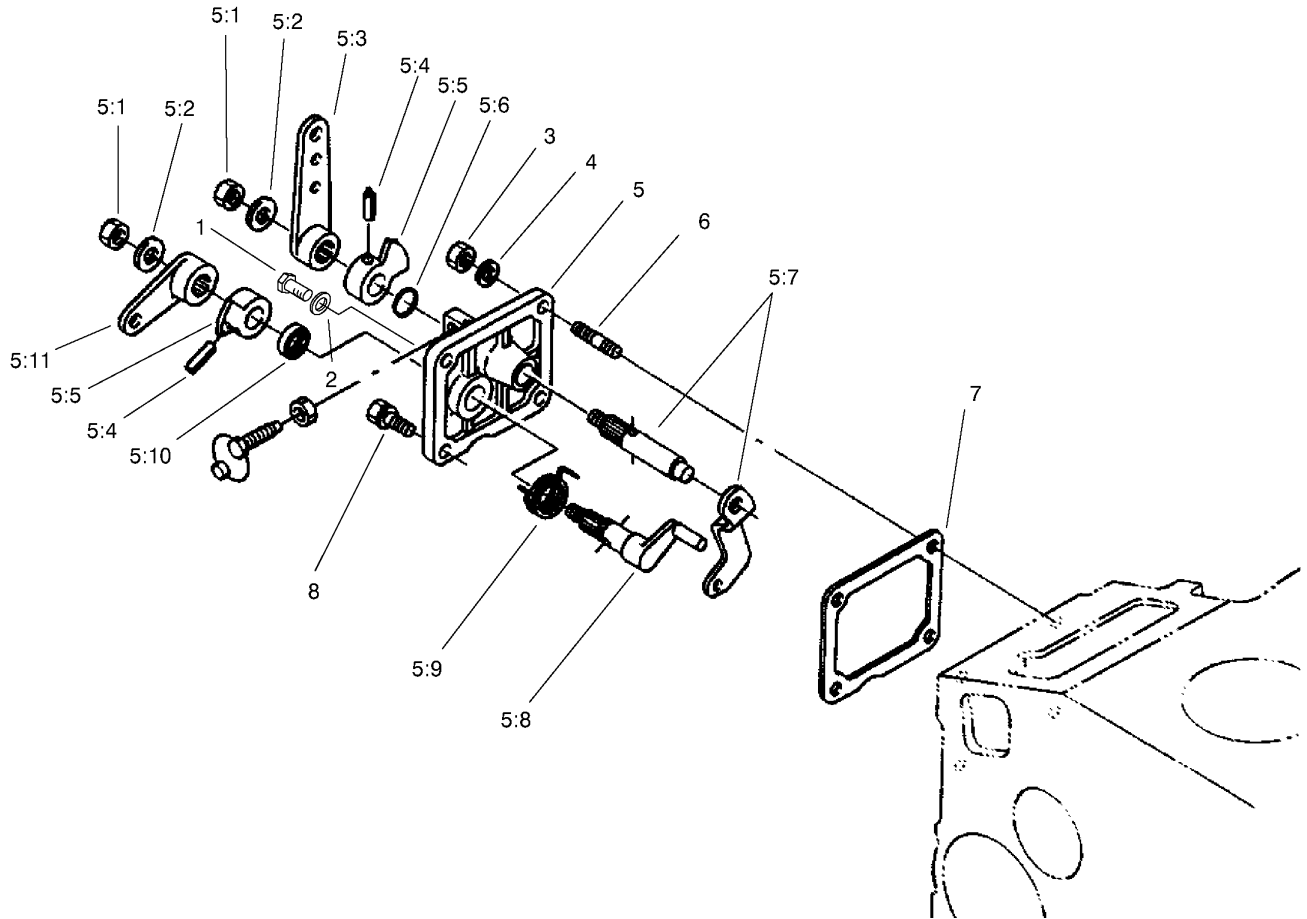
Ref	Part No.	Qty.	Description
1	98-9462	3	Element-Pump
2	98-9423	6	O-Ring
3	98-9443	3	Pin-Joint
4	98-9434	3	Flange-Sleeve
5	98-9421	3	Valve-Delivery
6	98-9424	3	Spring-Valve, Delivery
7	98-9425	3	Gasket-Valve, Delivery
8	98-9447	3	O-Ring
9	98-9652	3	Holder-Valve, Delivery
10	98-9452	6	Screw
11	98-9422	3	Tappet ASM
12	98-9433	3	Shim
13	98-9429	3	Seat-Spring, Lower
14	98-9428	3	Spring-Plunger
15	98-9427	3	Seat-Spring, Upper
16	98-9432	3	Sleeve-Control
17	98-9466	1	Plug
18	98-9451	1	Gasket
19	98-9445	1	Gasket
20	98-9464	1	Bolt-Joint
21	98-9446	1	Gasket
22	98-9430	1	Screw
23	98-9463	1	Control-Rack
24	98-9465	1	Plate

Ref	Part No.	Qty.	Description
25	98-9442	4	Screw
26	98-9426	3	Pin-Guide, Tappet
27	98-9450	1	Pin-Clamp



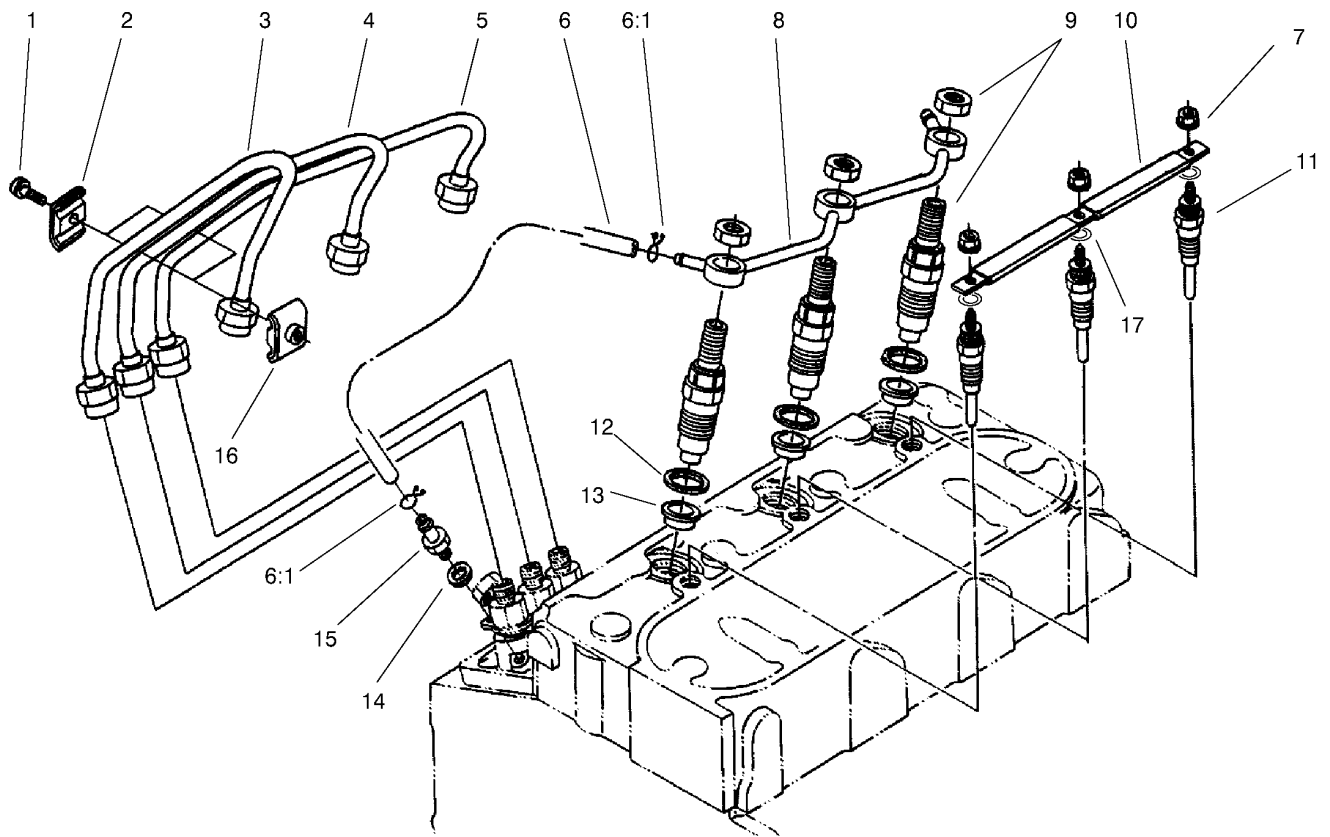
Governor Assembly

Ref	Part No.	Qty.	Description
1	98-9567	1	Collar
2	98-9681	1	Spring-Governor
3	98-9645	1	Spring-Start
4	98-9680	1	Fork Lever ASM
4:1	98-9369	1	Clip-Circular, External
4:2	98-9570	1	Bearing-Miniaturize
4:3	99-8380	1	Fork Lever ASM
4:3:1	98-9692	2	Roller
4:3:2	98-9660	1	Lever-Thrust
4:4	98-9593	1	Washer-Plain
4:5	98-9659	1	Lever-Fork
4:6	98-9566	1	Shaft-Lever, Fork
5	98-9568	1	Collar
6	98-9571	1	Bearing-Miniaturize
7	98-9682	1	Gasket
8	98-9569	1	Cover-Shaft, Fork Lever
9	98-9351	2	Bolt



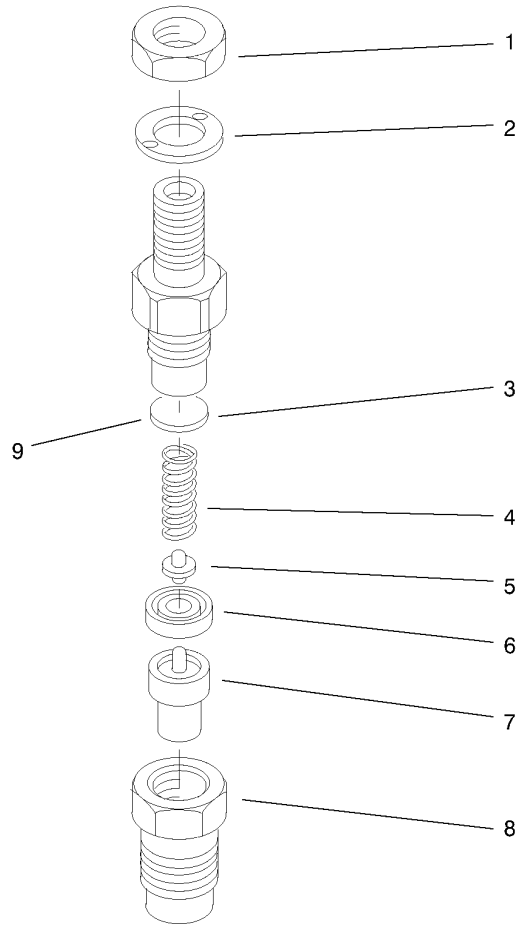
Speed Control Plate Assembly

Ref	Part No.	Qty.	Description
1	99-8348	1	Bolt
2	98-7654	1	Gasket
3	98-7572	2	Nut
4	98-9367	2	Washer-Spring
5	98-9661	1	Control Plate ASM
5:1	98-9589	2	Nut
5:2	98-9594	2	Washer-Plain
5:3	98-9662	1	Lever-Control, Speed
5:4	98-7602	2	Pin-Spring
5:5	98-9572	2	Lever-Control, Speed
5:6	98-9371	1	O-Ring
5:7	98-9658	1	Governor Lever ASM
5:8	98-9664	1	Shaft-Lever, Stop
5:9	98-9472	1	Spring-Return
5:10	98-7601	1	Seal-Oil
5:11	98-9663	1	Lever-Stop, Engine
6	98-9362	2	Stud
7	98-9637	1	Gasket
8	98-7692	1	Bolt



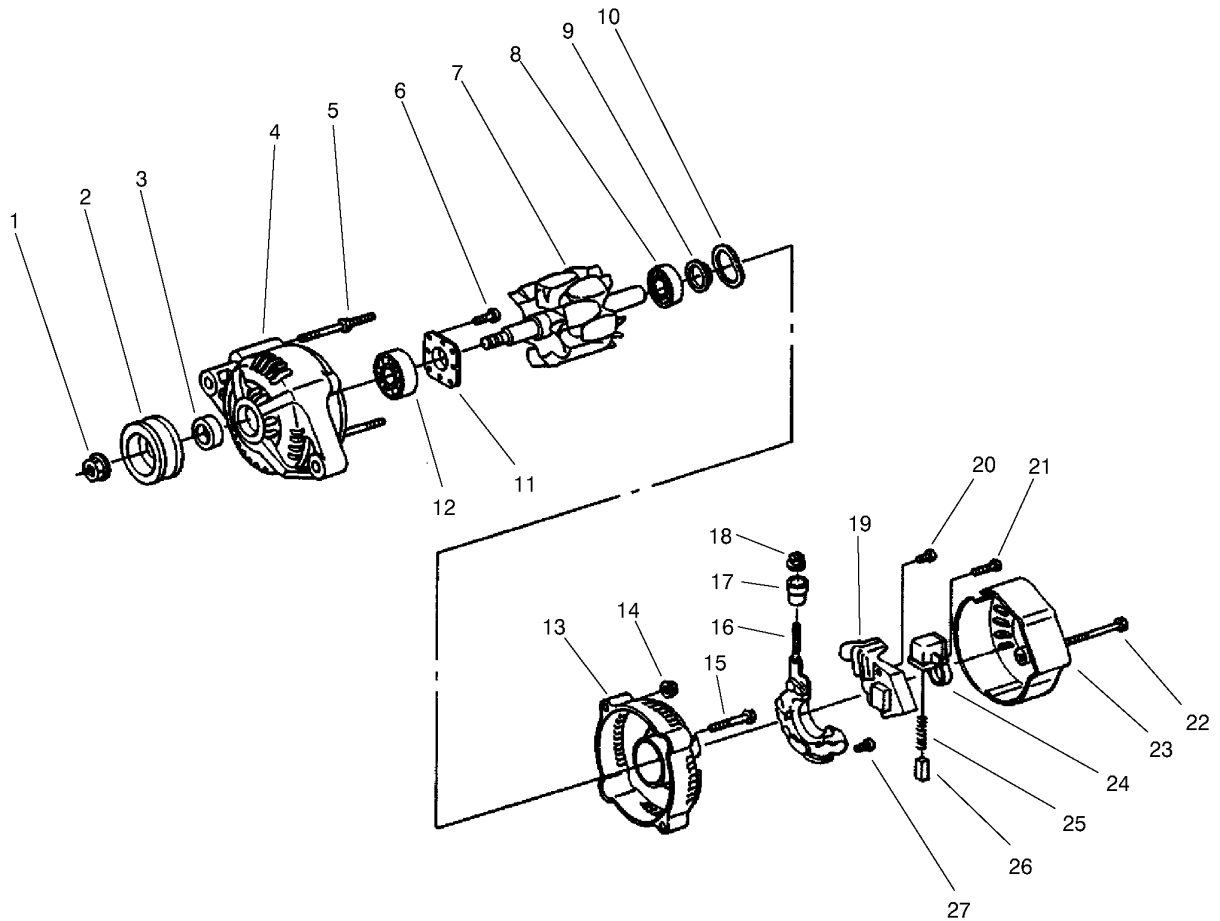
Nozzle Holder and Glow Plug Assembly

Ref	Part No.	Qty.	Description
1	98-7684	2	Screw W/Washer
2	98-7683	2	Clamp-Pipe
3	98-9622	1	Pipe-Injection
4	98-9654	1	Pipe-Injection
5	98-9655	1	Pipe-Injection
6	98-9624	1	Overflow Pipe ASM
6:1	98-7671	2	Clip-Pipe
7	99-8377	3	Nut-Flange
8	98-9621	1	Overflow Pipe ASM
9	98-9468	3	Nozzle Holder ASM
10	98-9631	1	Cord-Plug, Glow
11	98-9623	3	Plug-Glow
12	98-7676	3	Gasket
13	98-7677	3	Seal
14	98-7654	1	Gasket
15	98-9431	1	Screw-Bleeder
16	98-7682	2	Clamp-Pipe
17	99-8378	3	Washer-Plain



Nozzle Holder Assembly No. 98-9468

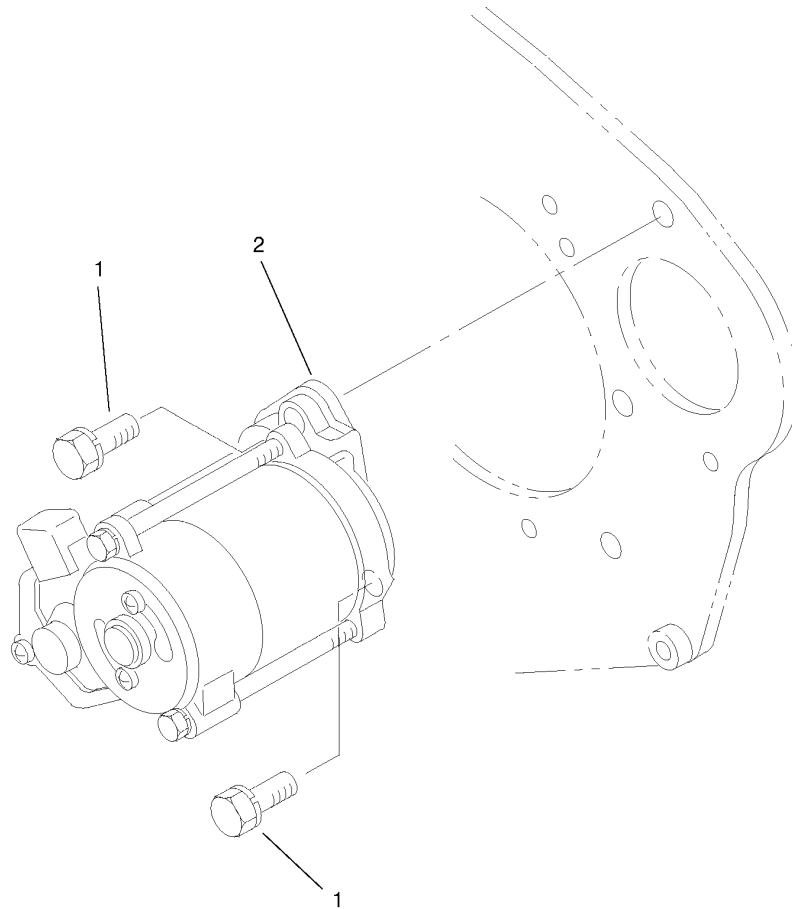
Ref	Part No.	Qty.	Description				
1	99-8301	3	Nut				
2	99-8307	3	Washer-Plain				
3	99-8302	3	Washer-Adjusting				
4	99-8303	3	Spring-Nozzle				
5	99-8305	3	Rod-Push				
6	99-8304	3	Spacer-Distance				
7	99-8308	3	Piece-Nozzle				
8	99-8306	3	Nut-Nozzle				
9	99-8317	3	Washer-Adjust (0.56Mm)				
9	99-8318	3	Washer-Adjust (0.58Mm)				
9	99-8319	3	Washer-Adjust (0.80Mm)				
9	99-8310	3	Washer-Adjust (0.10Mm)				
9	99-8309	3	Adjusting Washer ASM				
9	99-8316	3	Washer-Adjust (0.54Mm)				
9	99-8315	3	Washer-Adjust (0.52Mm)				
9	99-8314	3	Washer-Adjust (0.50Mm)				
9	99-8313	3	Washer-Adjust (0.40Mm)				
9	99-8312	3	Washer-Adjust (0.30Mm)				
9	99-8311	3	Washer-Adjust (0.20Mm)				



Alternator Assembly No. 98-9474

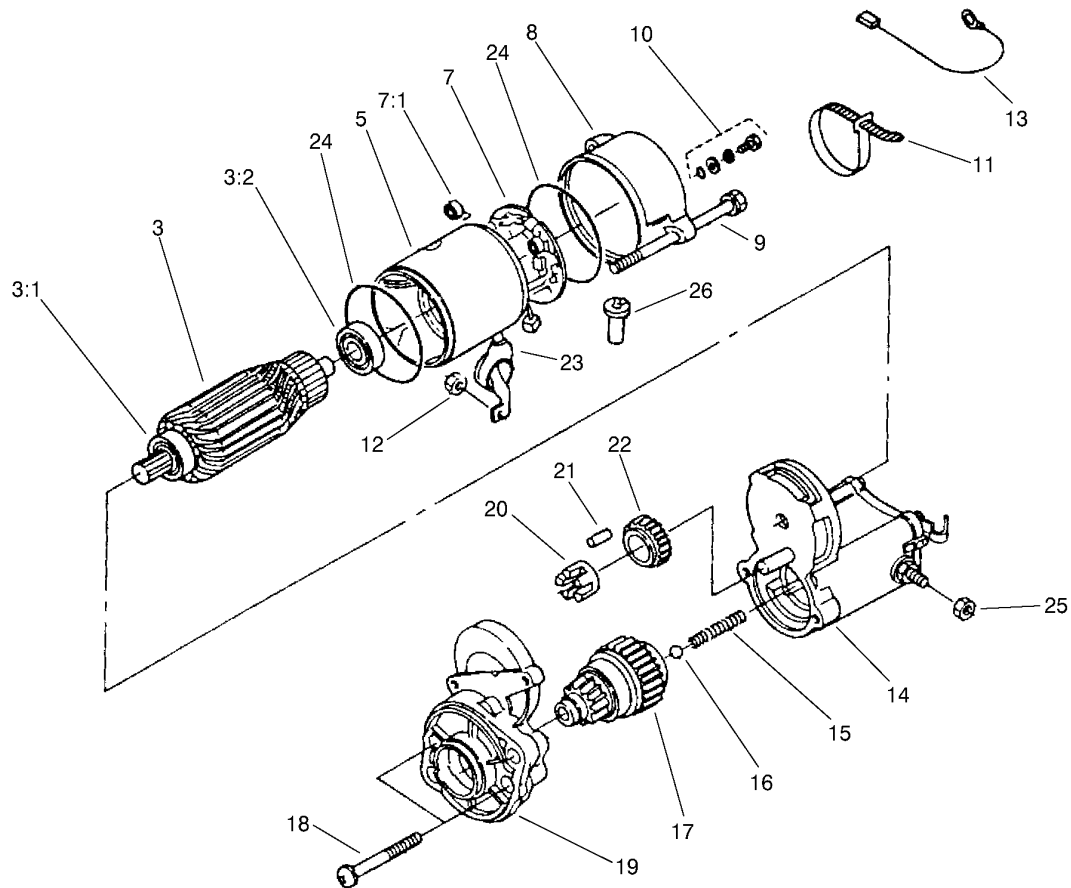
Ref	Part No.	Qty.	Description
1	98-7708	1	Nut
2	98-9453	1	Pulley-Dynamo
3	98-7709	1	Collar
4	98-7714	1	Frame-End, Drive
5	98-7717	2	Bolt-Through
6	98-7716	4	Screw-Head, Round
7	98-7710	1	Rotor
8	98-7712	1	Bearing-Ball
9	98-7711	1	Cover-Bearing
10	98-7713	1	Washer-Thrust
11	98-7715	1	Plate-Retainer
12	98-7718	1	Bearing-Ball
13	98-7719	1	Frame-End
14	98-7730	2	Nut
15	98-7731	2	Bolt
16	98-7721	1	Rectifier ASM
17	98-7722	1	Bushing-Insulation
18	98-7732	1	Nut
19	98-7733	1	Regulator ASM
20	98-7726	2	Screw-Head, Round
21	98-7728	1	Screw-Head, Round
22	98-7729	3	Bolt
23	98-7720	1	Cover-End
24	98-7723	1	Holder-Brush

Ref	Part No.	Qty.	Description
25	98-7725	2	Spring-Brush
26	98-7724	2	Brush
27	98-7727	6	Screw-Head, Round



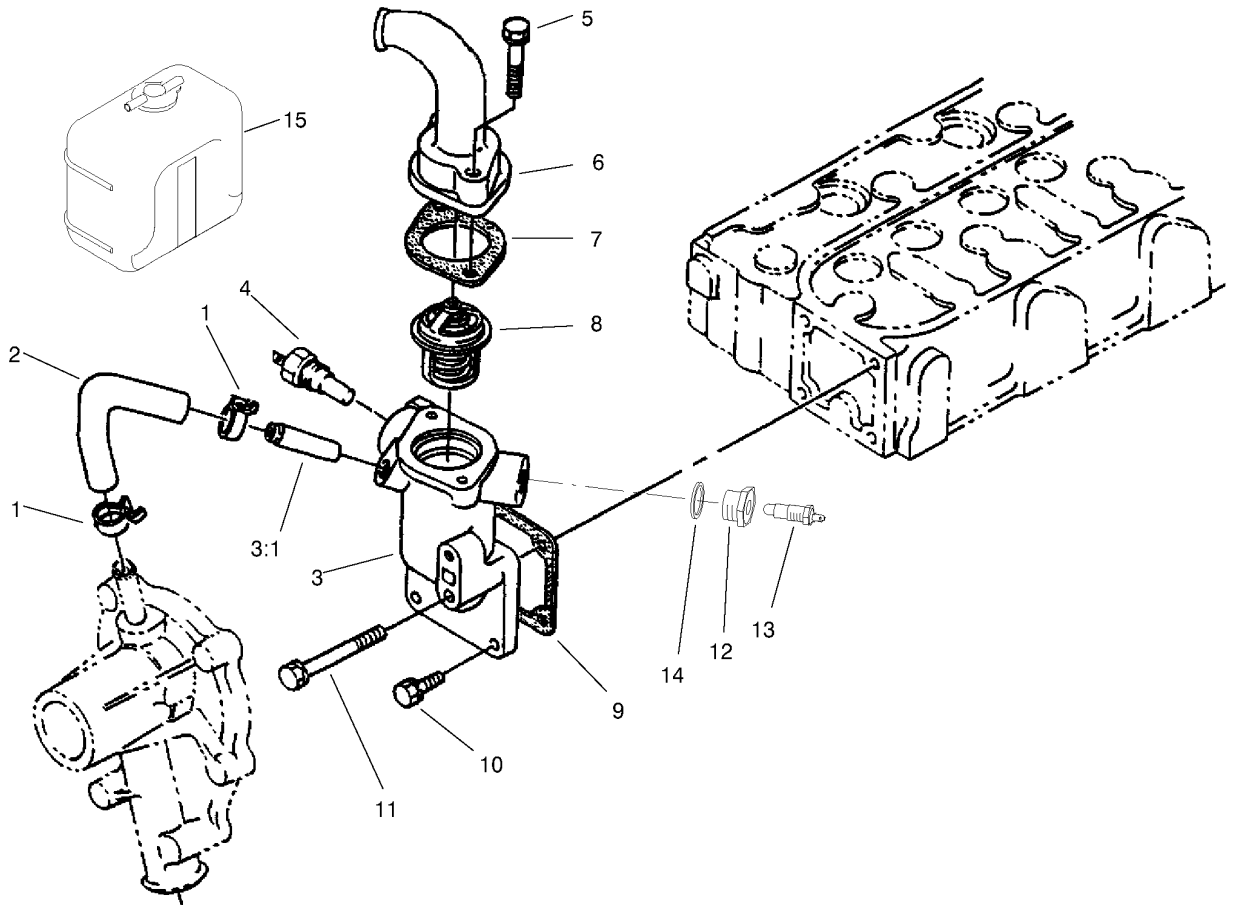
Starter Mount Assembly

Ref	Part No.	Qty.	Description
1	98-7697	2	Bolt
2	98-9705	1	Starter ASM



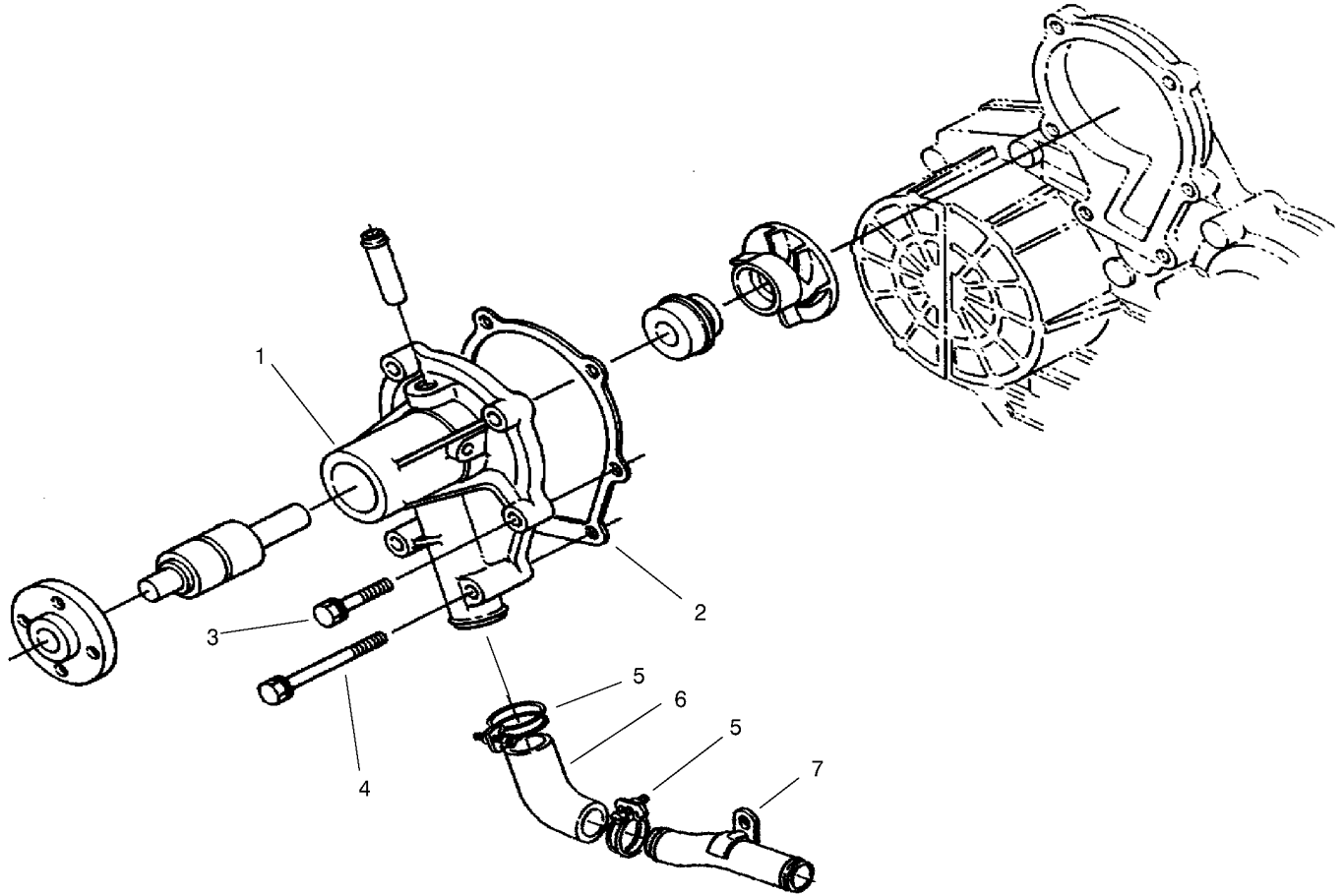
Starter Assembly No. 98-9705

Ref	Part No.	Qty.	Description	Ref	Part No.	Qty.	Description
3	98-7742	1	Armature ASM	26	98-7759	1	Pipe-Drain
3:1	98-7743	1	Bearing				
3:2	98-7744	1	Bearing				
5	98-7741	1	Yoke ASM				
7	98-7749	1	Brush Holder ASM				
7:1	98-7750	4	Spring-Brush				
8	99-8370	1	Frame-End				
9	98-9549	2	Bolt				
10	98-7758	2	Bolt ASM				
11	98-9712	1	Band-Cover				
12	99-8371	1	Nut-Hex				
13	98-9711	1	Cord-Solenoid, Stop				
14	99-8372	1	Magnetic Switch ASM				
15	98-7754	1	Spring				
16	98-7755	1	Ball				
17	99-8373	1	Clutch-Running, Over				
18	98-7756	2	Bolt				
19	99-8374	1	Frame-End, Drive				
20	98-7752	1	Retainer				
21	98-7753	5	Roller				
22	98-7751	1	Gear				
23	99-8375	1	Cover				
24	98-7757	2	O-Ring				
25	99-8376	1	Nut-Hex				



Water Flange and Thermostat Assembly

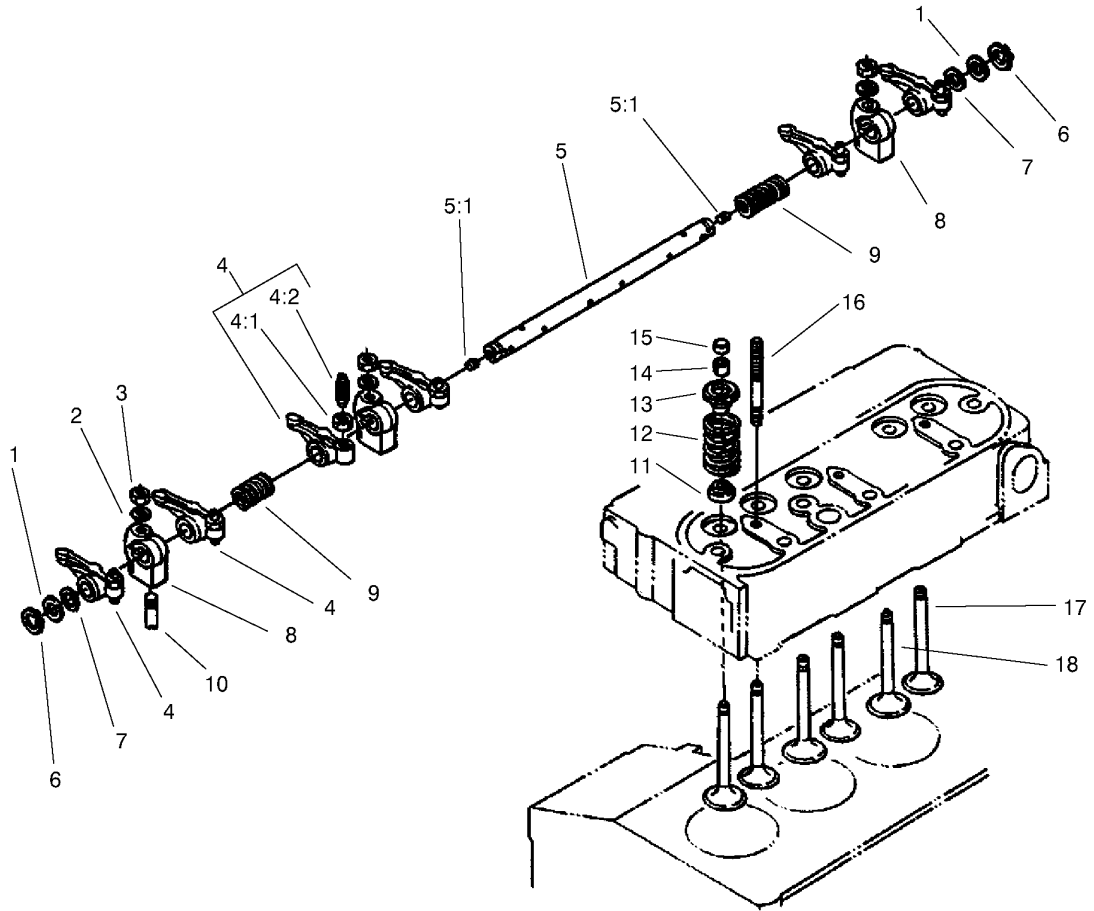
Ref	Part No.	Qty.	Description
1	98-9579	2	Band-Pipe
2	98-9578	1	Pipe-Return, Water
3	98-9713	1	Water Flange ASM
3:1	98-9580	1	Pipe-Return, Water
4	98-9719	1	Thermoswitch
5	98-7777	2	Bolt
6	104-4804	1	Outlet-Water
7	98-7776	1	Gasket
8	98-7778	1	Thermostat ASM
9	98-9638	1	Gasket-Flange, Water
10	98-7692	3	Bolt
11	98-9356	1	Bolt
12	99-3581	1	Adapter
13	99-3582	1	Thermoswitch
14	99-3583	1	Packing
15	104-9318	1	Bottle-Overflow, Water



Water Pump Assembly

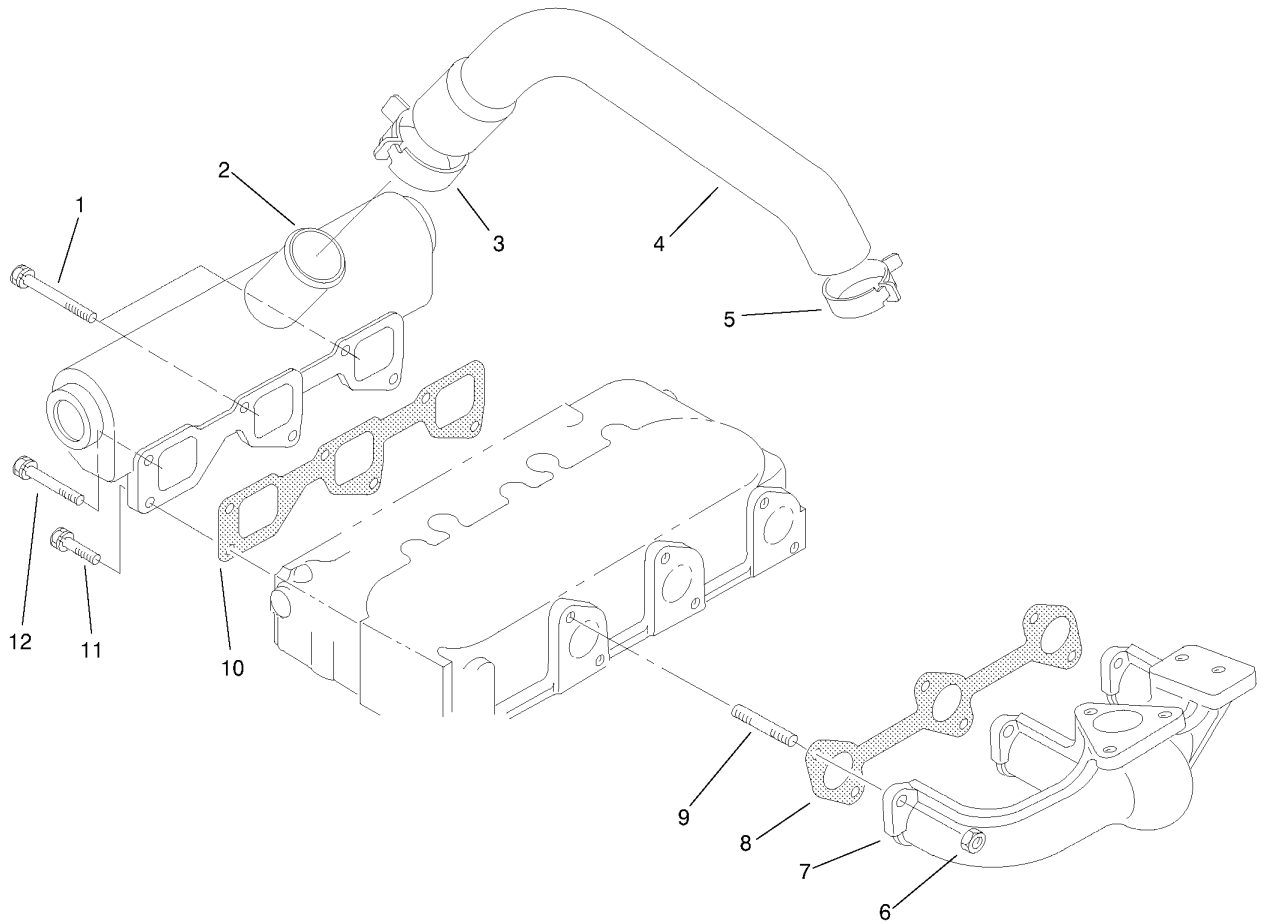
Ref	Part No.	Qty.	Description
1	104-4885	1	Water Pump ASM
2	99-3454	1	Gasket-Pump, Water
3	33103-030	1	Screw-HHF
4	98-9357	4	Bolt
5	98-9717	2	Clamp
6	98-9574	1	Pipe-Water
7	99-8379	1	Pipe-Water

--	--	--	--



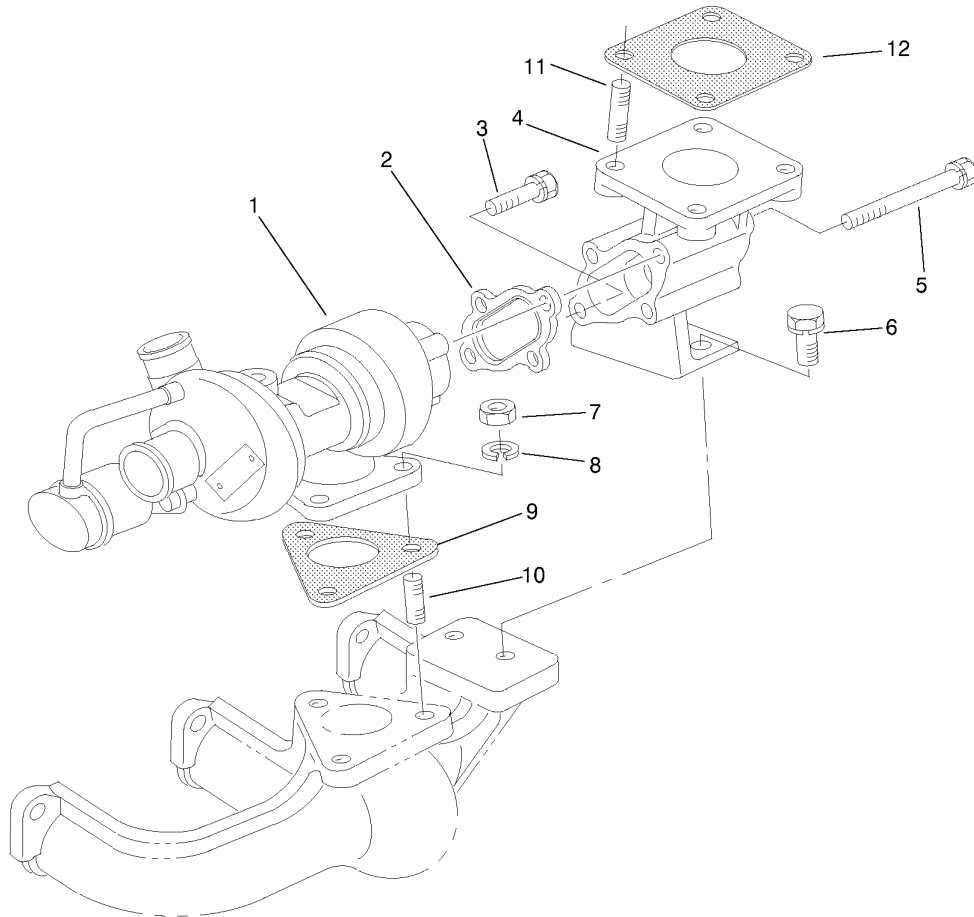
Valve and Rocker Arm Assembly

Ref	Part No.	Qty.	Description
1	98-9508	2	Washer-Shaft, R-Arm
2	98-9385	3	Washer-Flat
3	98-9393	3	Nut
4	98-9501	6	Rocker Arm ASM
4:1	98-9503	6	Nut
4:2	98-9502	6	Screw-Adjusting
5	98-9612	1	R-Arm Shaft ASM
5:1	98-9365	2	Screw-Set
6	98-9370	2	Clip-Circular, External
7	98-9507	2	Washer-Shaft, R-Arm
8	98-9505	3	Bracket-Arm, Rocker
9	98-9504	2	Spring-Arm, Rocker
10	98-9391	1	Screw-Set, Rocker Arm
11	98-9496	6	Seal-Stem, Valve
12	98-9626	6	Spring-Valve
13	98-9498	6	Retainer-Valve
14	98-9390	6	Collet-Set, Valve Spring
15	98-9497	6	Cap-Valve
16	98-9506	3	Stud
17	98-9625	3	Valve-Exhaust
18	98-9494	3	Valve-Inlet



Exhaust Manifold and Gasket Assembly

Ref	Part No.	Qty.	Description
1	99-8320	2	Bolt
2	99-8321	1	Manifold-Inlet
3	99-8322	1	Band-Pipe
4	99-8323	1	Hose-Inlet
5	99-8324	1	Band-Pipe
6	98-9665	6	Nut
7	99-8326	1	Manifold-Exhaust
8	99-8327	1	Gasket-Manifold, Exhaust
9	98-9588	6	Stud
10	99-8329	1	Gasket-Manifold, Intake
11	98-7568	3	Bolt
12	98-7496	1	Bolt



Turbo Charge Assembly

Ref	Part No.	Qty.	Description
1	99-8332	1	Turbo Charger ASM
2	99-8333	1	Gasket
3	99-8334	1	Bolt
4	99-8335	1	Flange-Muffler
5	99-8336	3	Bolt
6	98-7610	2	Bolt
7	98-7534	3	Nut
8	99-8339	3	Washer-Spring
9	99-8340	1	Gasket
10	99-8341	3	Stud
11	99-8342	4	Stud
12	99-8343	1	Gasket-Muffler

NOTES

NOTES

NOTES

