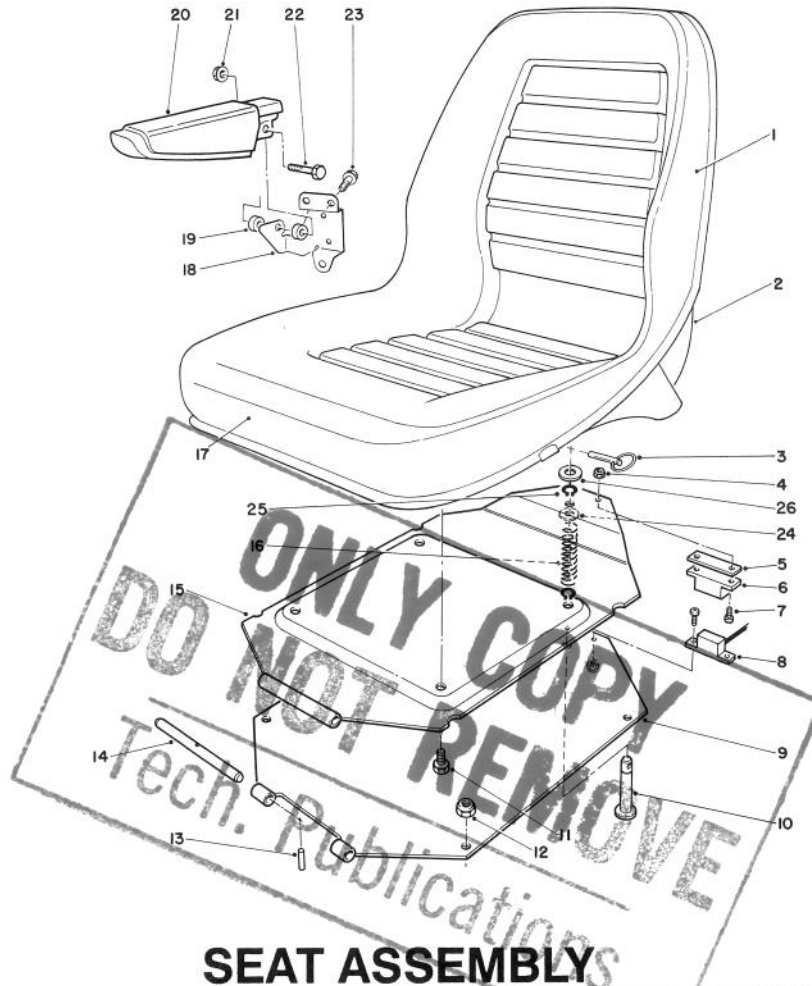


**TORO**<sup>®</sup>

MODEL NO. 30580-30001 &amp; UP

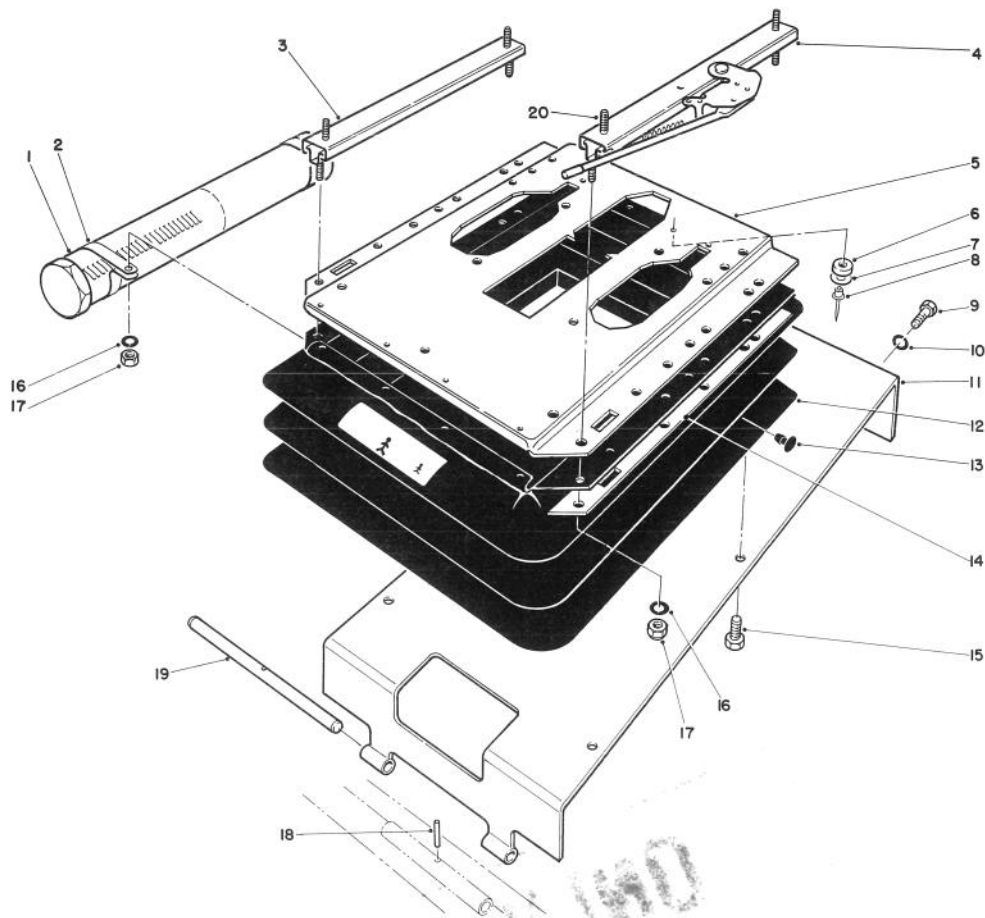
**PARTS  
CATALOG****GROUNDMASTER<sup>®</sup> 580-D  
Traction Unit**

T-1278B

**SEAT ASSEMBLY**

Ref. No.	Part No.	Description	No. Used	Ref. No.	Part No.	Description	No. Used
1	66-5400	Assembly - Seat (Incl. Ref. #2)	1	14	27-4720	Pin - Pivot, Seat	1
2	67-9560	Shell - Seat	1	15	83-6690	Plate W. A. - Seat	1
3	283-72	Pin - Lynch	1	16	85-6140	Spring	1
4	3296-54	Nut - Lock	4	17	67-9550	Cushion - Seat	1
5	83-6630	Shim - Switch	1	18	69-0770	Bracket - Rest, Arm R.H.	1
6	75-6330	Catch - Magnetic	1	*	69-0760	Bracket - Rest, Arm L.H.	1
7	32122-53	Screw - Pan Head	4	19	69-1260	Spacer	4
8	83-6640	Sensor - Switch	1	20	69-1180	Armrest	2
9	83-6700	Plate W.A. - Suspension	1	21	32128-19	Nut - Lock, Flange Hd.	2
10	85-6160	Pin - Spring	1	22	323-9	Screw - Cap Hex. Hd.	2
11	3234-5	Screw - Cap Hex. Hd.	4	23	3234-23	Screw - Cap Hex. Hd.	6
12	3296-29	Nut - Lock	4	24	3256-27	Washer - Flat	1
13	32121-4	Pin - Roll	1	25	32120-64	Ring - Retaining	2
				26	3256-7	Washer - Flat	1

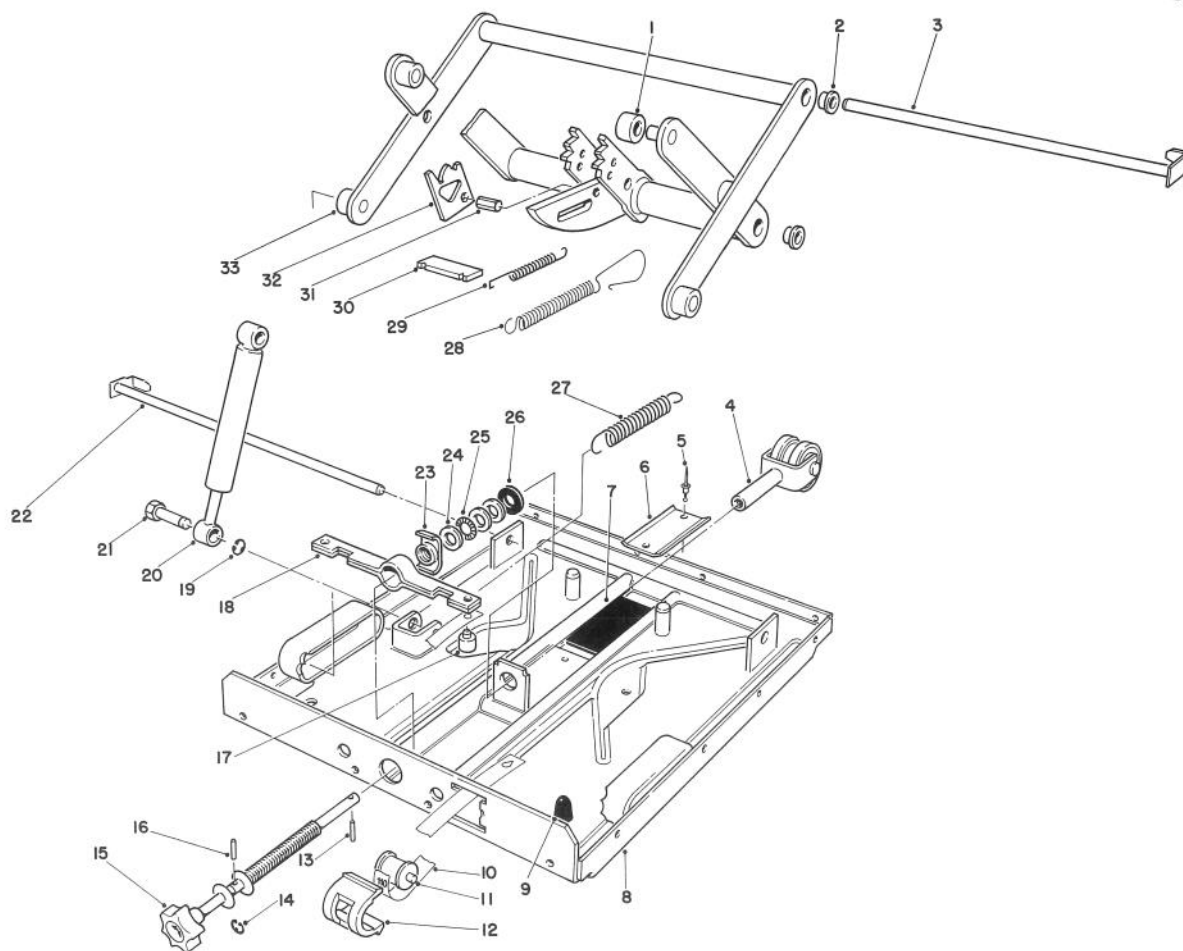
\*Not Illustrated



T-1279A

## SEAT PIVOT AND BELLOWS ASSEMBLY

Ref. No.	Part No.	Description	No. Used	Ref. No.	Part No.	Description	No. Used
1	74-0720	Tube - Manual	1	10	3253-21	Washer - Lock	2
2	2412-133	Clamp	2	11	83-6660	Support - Seat	1
3	66-8530	Track - Adjustment	1	12	71-2420	Bellows - Rubber	1
4	82-9060	Track & Latch - Adjustment	1	13	39-5710	Plug	21
5	71-2410	Plate - Upper Suspension (Incl. Ref. #6)	1	14	40-3890	Trim	2
6	71-2400	Assembly - Bumper (Incl. Ref. #7 & 8)	2	15	48-7780	Screw - Cap Hex. Hd.	4
7	71-2380	Washer	2	16	3256-23	Washer - Flat	4
8	71-2390	Rivet - Pop	2	17	3296-29	Nut - Lock	4
9	323-6	Screw - Cap Hex. Hd.	2	18	32121-4	Pin - Roll	1
				19	27-4720	Pin - Pivot, Seat	1
				20	3230-22	Bolt - Carriage	1

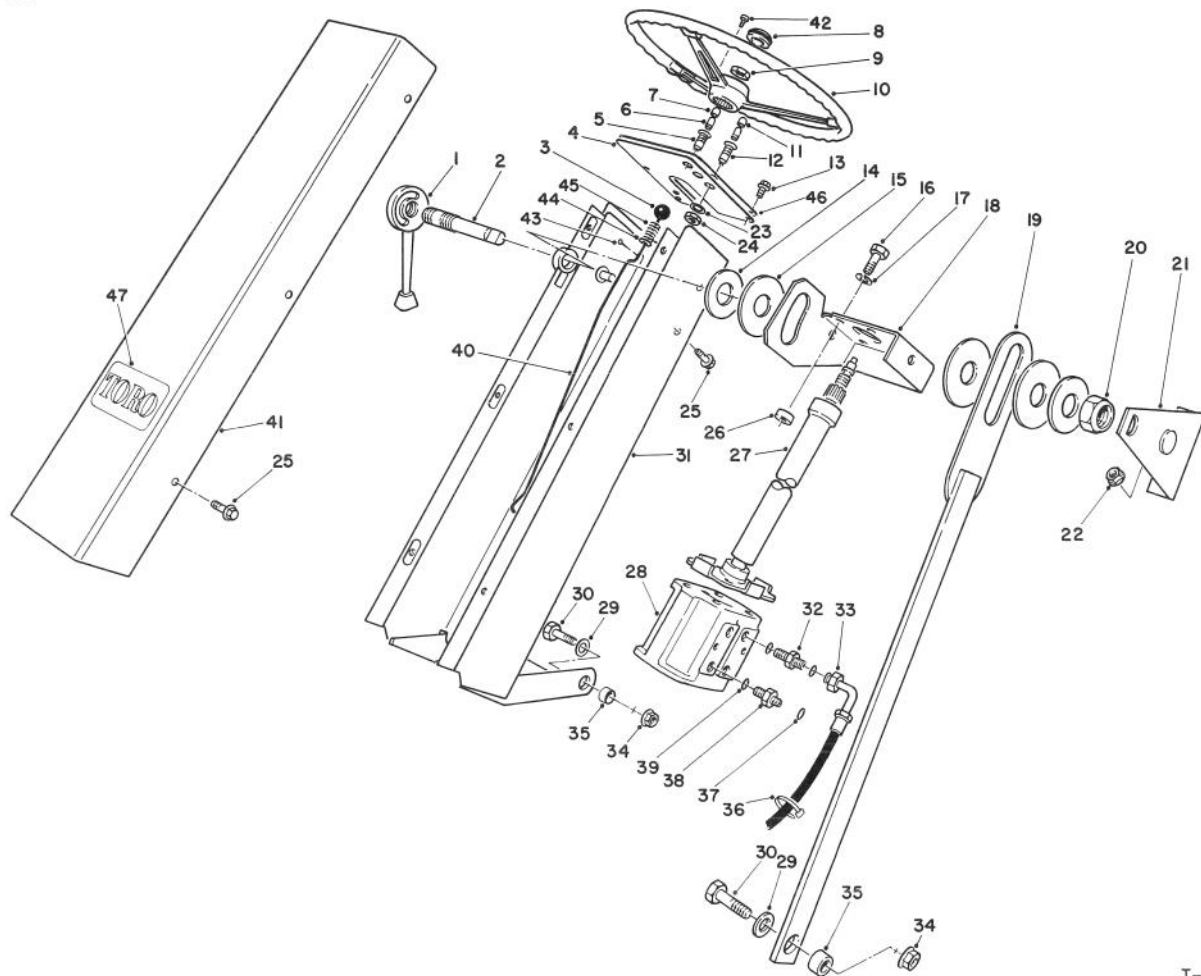


T-0483-90

## SEAT SUSPENSION ASSEMBLY

Ref. No.	Part No.	Description	No. Used	Ref. No.	Part No.	Description	No. Used
1	40-4010	Roller	4	19	71-2330	Ring - Snap	2
2	71-2180	Bearing	4	20	71-2340	Absorber - Shock	1
3	71-2190	Pin	1	21	71-2320	Pin	2
4	71-2290	Bearing - Triple	1	22	71-2170	Pin	1
5	40-4090	Rivet - Pop	2	23	71-2270	Nut - Special	1
6	40-4080	Track - U	1	24	40-4070	Washer	3
7	40-4120	Plate - Rubber	1	25	40-4310	Bearing - Thrust Needle	1
8	71-2310	Plate - Lower Suspension (Incl. Ref. #5-7 & 9)	1	26	40-4060	Washer - Rubber	1
9	71-2300	Bumper	2	27	71-2260	Spring	2
10	71-2280	Band - Weight Indicator	1	28	40-4340	Spring - Extension	1
11	40-4150	Roller	1	29	40-4350	Spring - Extension	2
12	40-4160	Guide - Sleeve	1	30	40-4360	Plate	1
13	71-2210	Pin	1	31	40-4370	Bolt	1
14	71-2230	Ring - Snap	1	32	40-4380	Bracket - Release	2
15	71-2240	Knob Assembly (Incl. Ref. #13, 14 & 16)	1	33	71-2200	Bracket - Swing Arm (Incl. Ref. #1-3, 22 & 29-32)	1
16	71-2220	Pin	1	*	71-0480	Suspension Assembly (Incl. Ref. #1-33, & 6-8, 12 & 13, from page 2)	1
17	40-4230	Plug	1				
18	71-2250	Bracket - Spring	1				

\*Not Illustrated



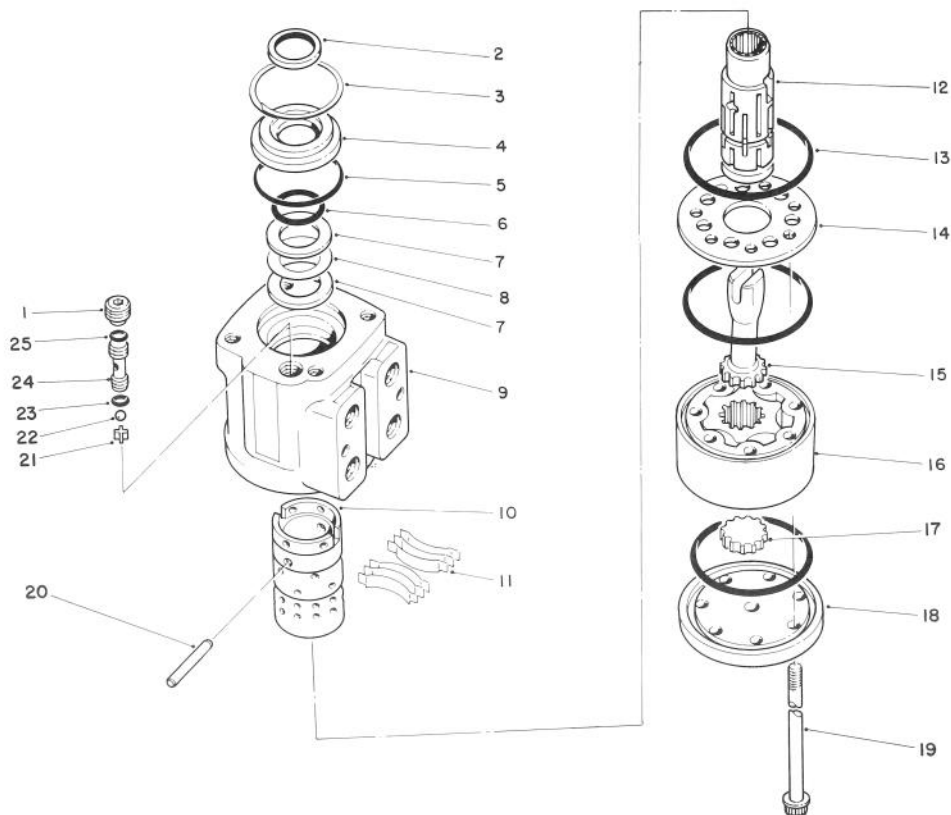
T-0338-90

## STEERING TOWER ASSEMBLY

Ref. No.	Part No.	Description	No. Used
1	69-1560	Lever - Lock	1
2	69-9230	Shaft - Steering Pivot	1
3	233-17	Knob	1
4	69-9440	Panel - Steering Tower	1
5	44-2210	Body - Indicator Light (Incl. Ref. #6-7 & 23-24)	1
†6		Bulb - Indicator Light (#1891)	3
7	218-533	Lens - Indicator Light (Red)	1
8	213-31	Cover - Steering Wheel	1
9	47-6990	Nut - Hex.	1
10	68-8080	Wheel - Steering	1
11	218-562	Lens - Indicator Light (Amber)	2
12	44-2212	Body - Indicator Light (Incl. Ref. #6, 11 & 23-24)	2
13	32144-64	Screw - Hex. Washer Hd.	4
14	20-9500	Spacer	2
15	31-0390	Washer - Friction	3
16	323-7	Screw - Cap Hex. Hd.	4
17	3253-21	Washer - Lock	4
18	69-9540	Bracket - Steering Gear	1
19	69-7760	Link - Steering Gear	1
20	3296-49	Nut - Lock	1
21	69-7740	Support - Steering Gear	1
22	32128-20	Nut - Flange Lock	2
23	218-536	Washer - Lock	3

Ref. No.	Part No.	Description	No. Used
24	218-535	Nut - Hex.	3
25	3234-14	Screw - Hex. Washer Hd.	8
26	46-1600	Spacer	4
27	71-0540	Column - Steering	1
28	69-1850	Valve - Power Steering	1
29	3256-26	Washer - Flat	3
30	325-5	Screw - Cap Hex. Hd.	3
31	69-8160	Tower - Steering	1
32	340-133	Fitting - Hydraulic Straight (Incl. Ref. #37 & 39)	3
33	69-5500	Hose - Hydraulic	4
34	32128-23	Nut - Flange Lock	3
35	28-0380	Spacer	3
36	3290-378	Tie-Cable	5
37	237-22	Seal - O-Ring	4
38	69-6980	Valve - Check (Incl. Ref. # 37 & 39)	1
39	237-79	Seal - O-Ring	4
40	71-4060	Rod - Brake Latch	1
41	69-8510	Cover - Steering Tower	1
42	32144-96	Screw - Mach. Round Hd.	3
43	3272-5	Pin - Cotter	1
44	3256-22	Washer - Flat	1
45	3-3251	Spring - Compression	1
46	69-0970	Panel - Control	1
47	62-5550	Decal	1

†Obtain Locally



T-0383-90

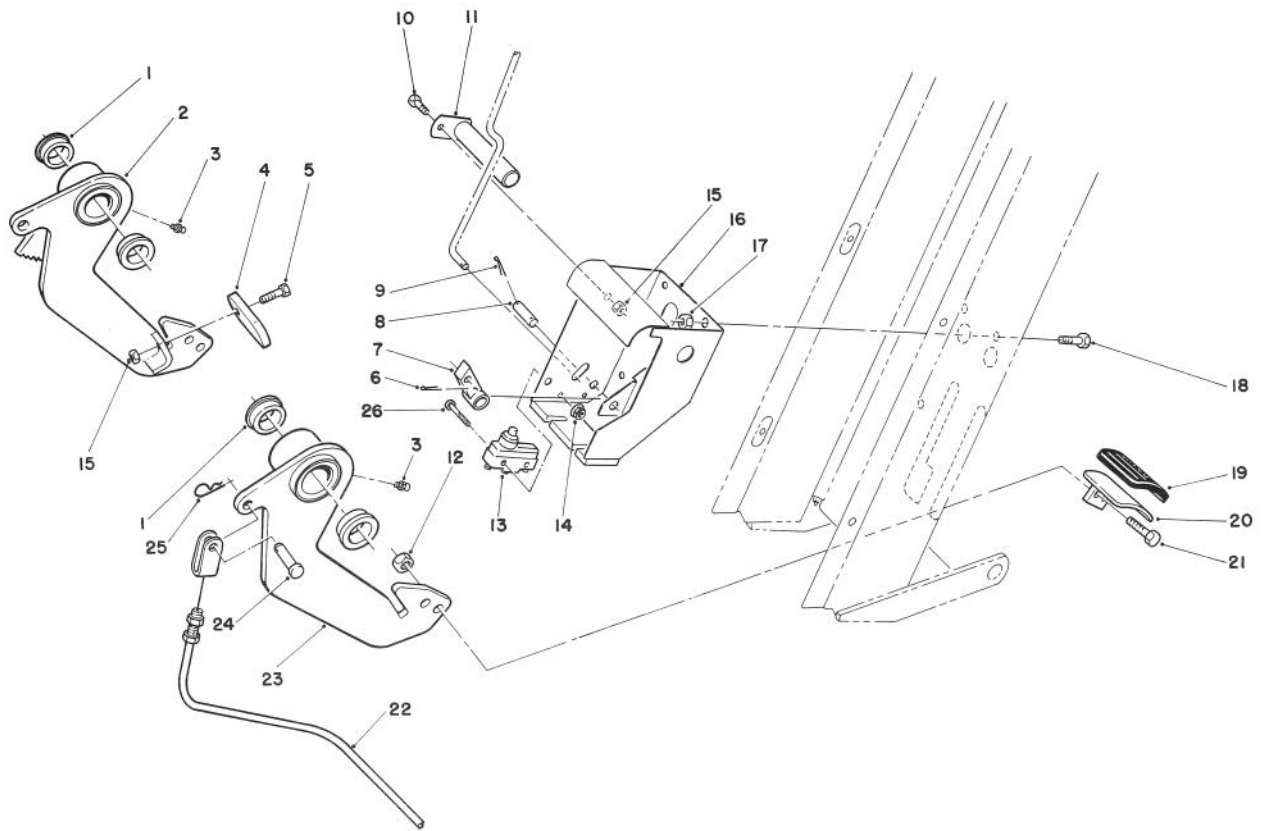
## POWER STEERING VALVE ASSEMBLY NO. 69-1850

Ref. No.	Part No.	Description	No. Used
1	52-9260	Screw - Set	1
†2		Seal - 1" ID	1
3	52-9230	Ring - Retaining	1
4	52-9240	Bushing - Gland Seal	1
†5		Seal - 1.875" ID	1
†6		Seal - Quad Ring	1
7	59-6730	Race - Bearing	2
8	59-6740	Bearing - Needle Thrust	1
†9		Housing	1
†10		Sleeve - Control	1
11	59-6820	Centering Spring Kit	1
†12		Spool - Control	1
†13		Seal	3
14	59-6850	Plate - Spacer	1
15	59-6860	Drive	1
16	69-1860	Gerotor	1

Ref. No.	Part No.	Description	No. Used
17	69-1880	Spacer	1
18	59-6890	Cap - End	1
19	69-1870	Screw - Cap	7
20	59-6830	Kit - Centering Pin	1
21	52-9290	Retainer - Check Ball	1
22	52-9280	Ball - Check	1
†23		Seal	1
24	52-9270	Seat - Check Ball	1
†25		Seal	1
*	52-9250	Needle Bearing Kit (Incl. Ref. #7-8)	1
*	59-6810	Control Parts Assembly (Incl. Ref. #9-12 & 20)	1
*	49-0170	Seal Kit (Incl. Ref. #2, 5-6, 13, 23 & 25)	1

\*Not Illustrated

†Not Serviceable Separately



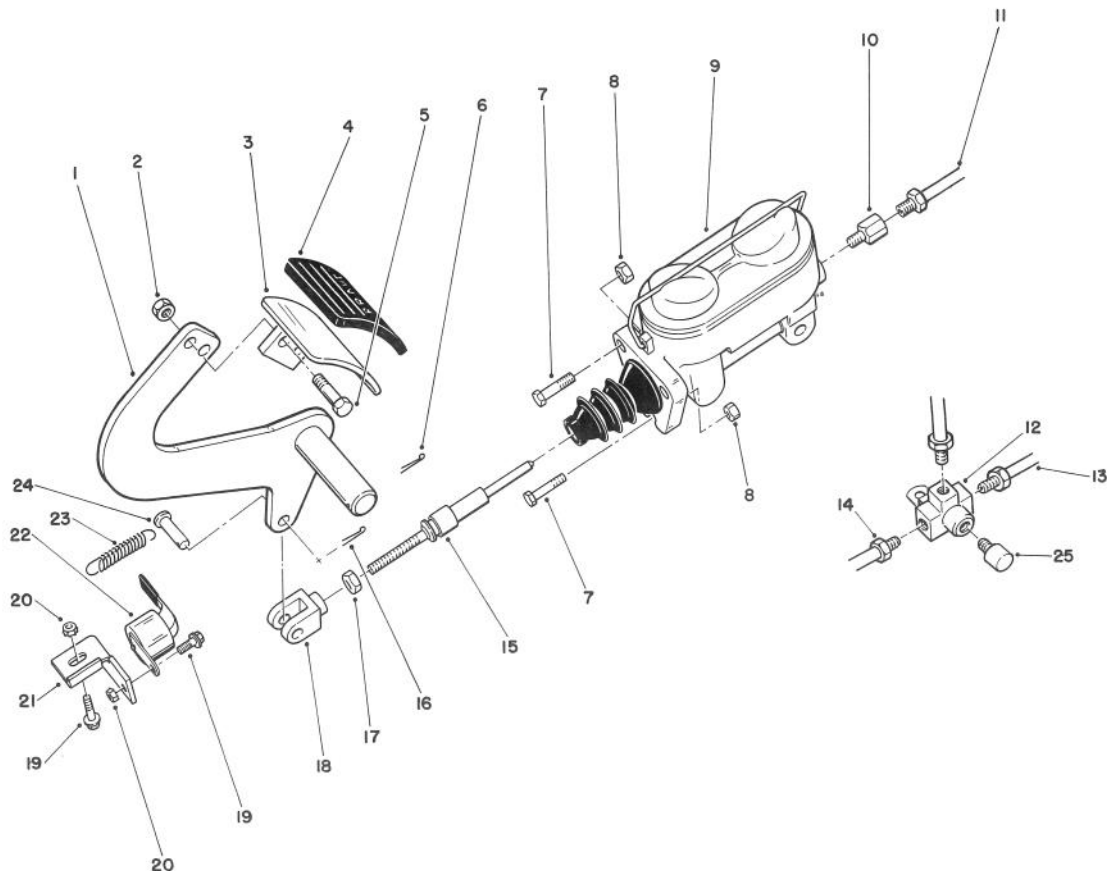
T-0339A-90

## STEERING BRAKE ASSEMBLY

Ref. No.	Part No.	Description	No. Used
1	256-247	Bushing - Flange	4
2	69-7890	Arm - Brake R.H. (Incl. Ref. #1 & 3)	1
3	302-5	Fitting - Grease	2
4	69-9210	Lever - Brake Latch	1
5	321-4	Screw - Cap Hex. Hd.	1
6	3272-5	Pin - Cotter	1
7	69-7720	Pawl - Brake	1
8	69-9200	Pin - Brake Pawl	1
9	3272-6	Pin - Cotter	2
10	321-2	Screw - Cap Hex. Hd.	1
11	69-7790	Pin - Brake Arm	1
12	32152-1	Nut - Lock	4
13	29-6163	Switch - Micro	1
14	3296-9	Nut - Lock	2

Ref. No.	Part No.	Description	No. Used
15	32152-4	Nut - Lock	2
16	69-7840	Mount - Brake Arm	1
17	32128-20	Nut - Lock	3
18	3234-14	Screw - Cap Hex. Hd.	3
19	49-6171	Pad - Brake Pedal L.H.	1
*	49-6172	Pad - Brake Pedal R.H.	1
20	69-7700	Pedal - Brake	2
21	323-4	Screw - Cap Hex. Hd.	4
22	69-5670	Cable - Brake	2
23	69-7880	Arm - Brake L.H. (Incl. Ref. #1 & 3)	1
24	283-1	Pin - Clevis	2
25	3290-307	Pin - Cotter, Hair	2
26	3249-11	Screw - Machine	2
*	3290-378	Tie - Cable	3

\*Not Illustrated

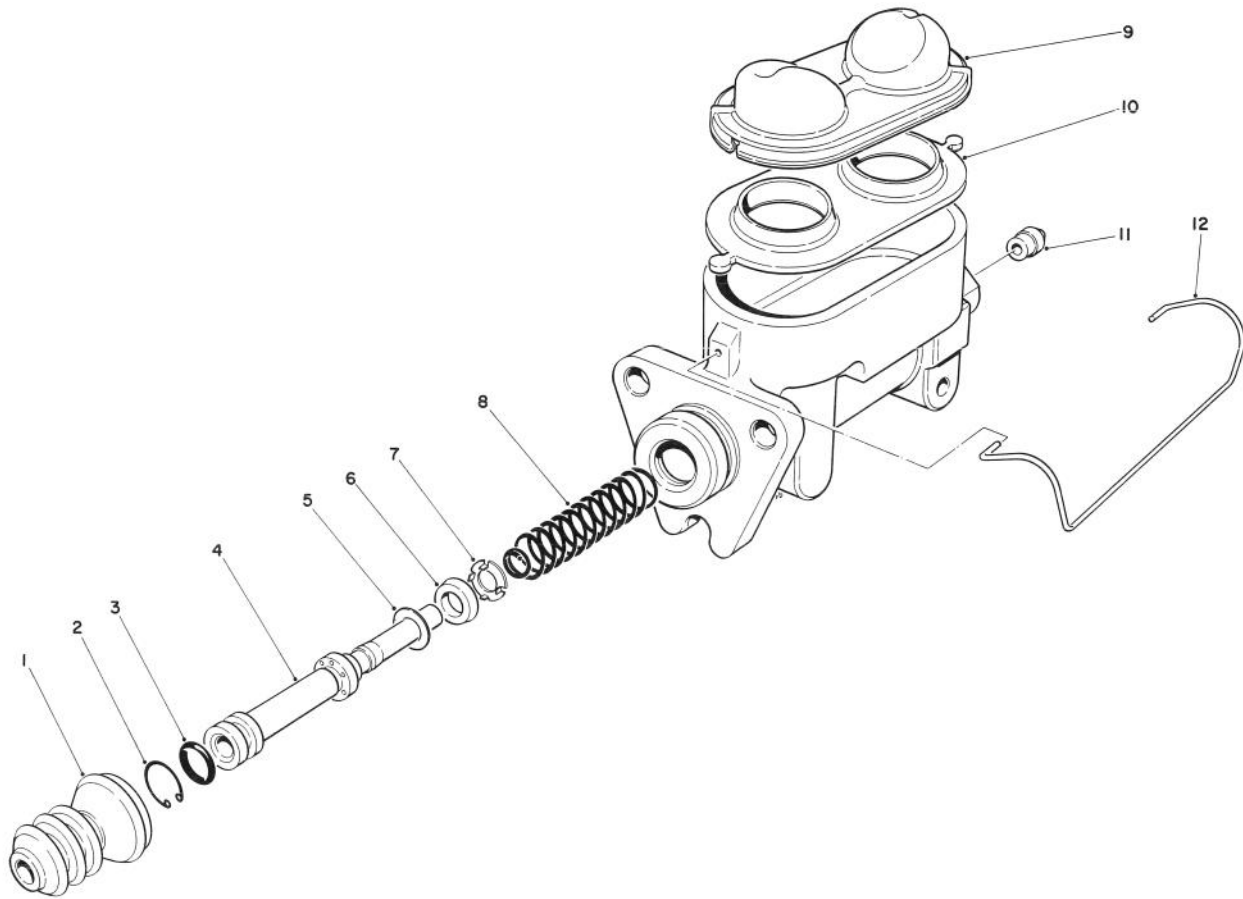


T-0341A

## SERVICE BRAKE ASSEMBLY

Ref. No.	Part No.	Description	No. Used
1	69-8750	Arm - Brake	1
2	32152-1	Nut - Lock	2
3	69-7700	Pedal - Brake	1
4	49-6170	Pad - Brake	1
5	322-3	Screw - Cap Hex. Hd.	2
6	3272-12	Pin - Cotter	1
7	323-7	Screw - Cap Hex. Hd.	3
8	32128-21	Nut - Lock	3
9	69-2640	Master Cylinder Assembly	1
10	353-994	Adapter	1
11	74-2530	Tube - Hydraulic	1
12	218-243	Fitting - Tee	1
13	74-2510	Tube - Hydraulic L.H.	1

Ref. No.	Part No.	Description	No. Used
14	74-2520	Tube - Hydraulic R.H.	1
15	69-9340	Rod - Brake	1
16	3272-10	Pin - Cotter	1
17	3220-2	Nut - Jam	1
18	282-2	Clevis - Brake Rod	1
19	3234-13	Screw - Hex. Washer Hd.	2
20	32149-2	Nut - Keps	2
21	69-9160	Bracket - Brake Switch	1
22	69-0750	Switch - Brake	1
23	21-1830	Spring - Extension	1
24	283-1	Pin - Clevis	1
25	218-242	Switch - Brake	1



T-0384-90

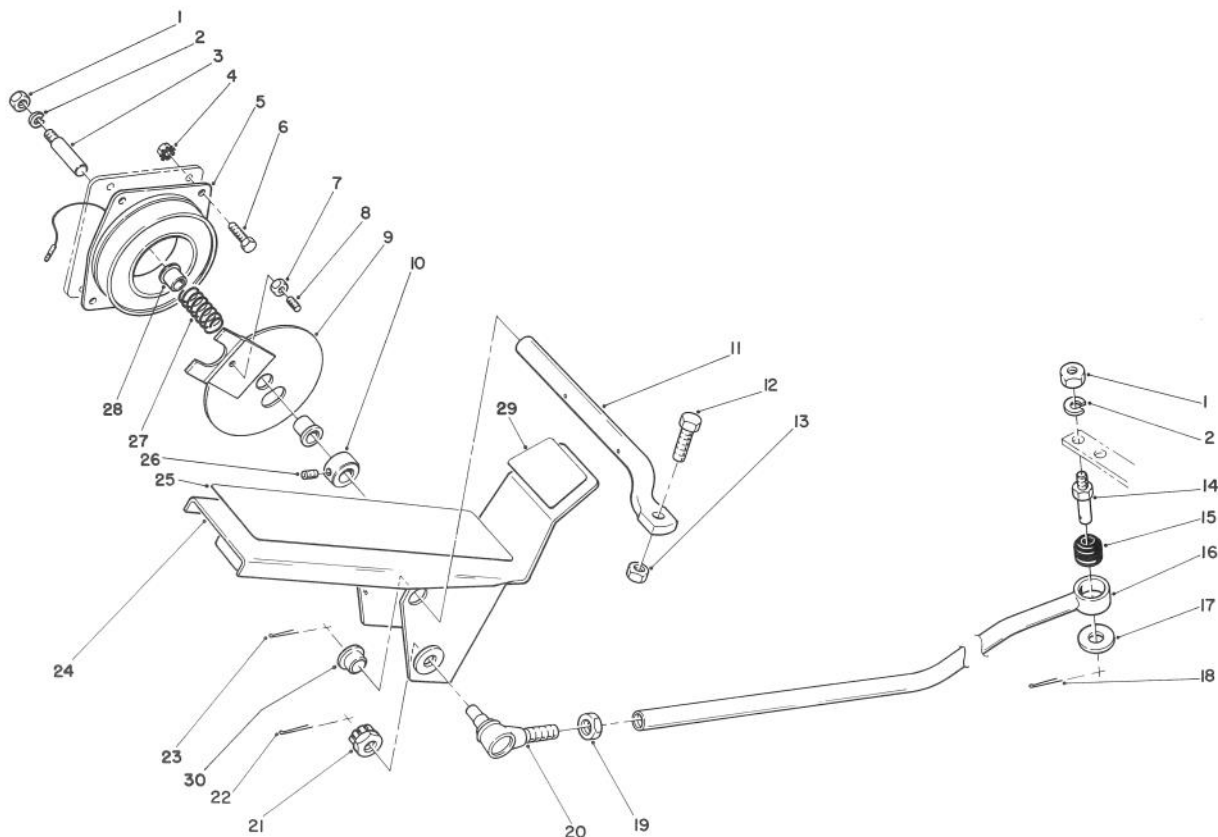
## BRAKE SYSTEM MASTER CYLINDER NO. 69-2640

Ref. No.	Part No.	Description	No. Used
1	69-2650	Boot - Rod	1
2	69-2660	Ring - Retaining	1
†3		Seal - Lip	1
†4		Piston	1
†5		Protector - Cup	1
†6		Cup - Pumping	1
†7		Retainer - Cup	1

Ref. No.	Part No.	Description	No. Used
†8		Spring - Piston Return	1
9	69-2750	Cover - Reservoir	1
10	69-2760	Gasket - Diaphragm	1
11	69-2770	Seat - Tube	1
12	69-2740	Bail - Cover	1
*	69-2730	Piston Assembly (Incl. Ref. #3-8)	1

\*Not Illustrated

†Not serviceable separately.

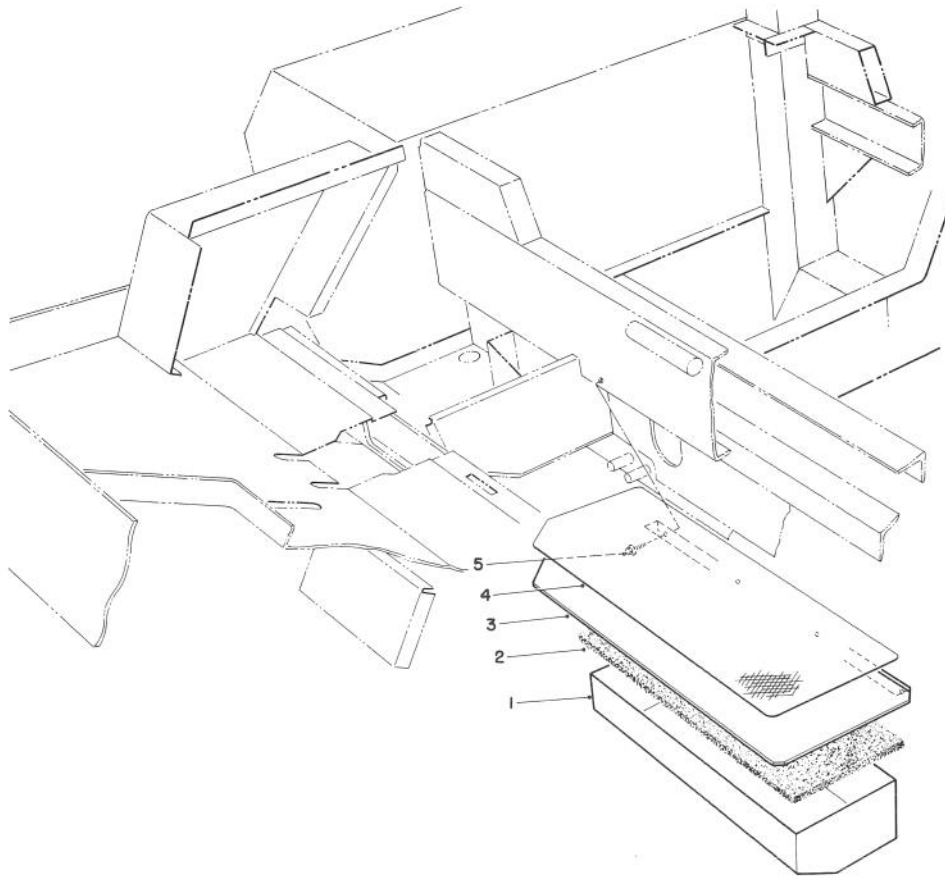


T-0351-90

## TRACTION PEDAL & CRUISE CONTROL ASSEMBLY

Ref. No.	Part No.	Description	No. Used
1	3217-7	Nut - Lock	2
2	3253-21	Washer - Lock	2
3	69-9170	Shaft - Cruise Control	1
4	32149-2	Nut - Keps	4
5	42-1720	Field Core Coil Assembly	1
6	321-3	Screw - Cap Hex. Hd.	4
7	3217-26	Nut - Lock	1
8	3245-31	Screw - Set	1
9	43-6110	Plate - Clutch	1
10	43-6320	Collar - Locking	1
11	69-9390	Shaft - Pedal	1
12	3234-14	Screw - Cap Hex. Hd.	1
13	32128-20	Nut - Lock	1
14	69-9030	Post - Neutral Device	1
15	23-2270	Bushing - Rubber	1

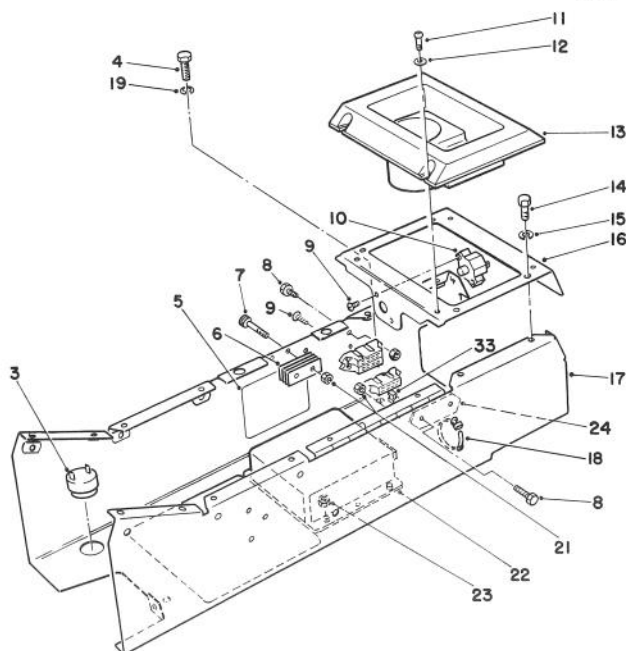
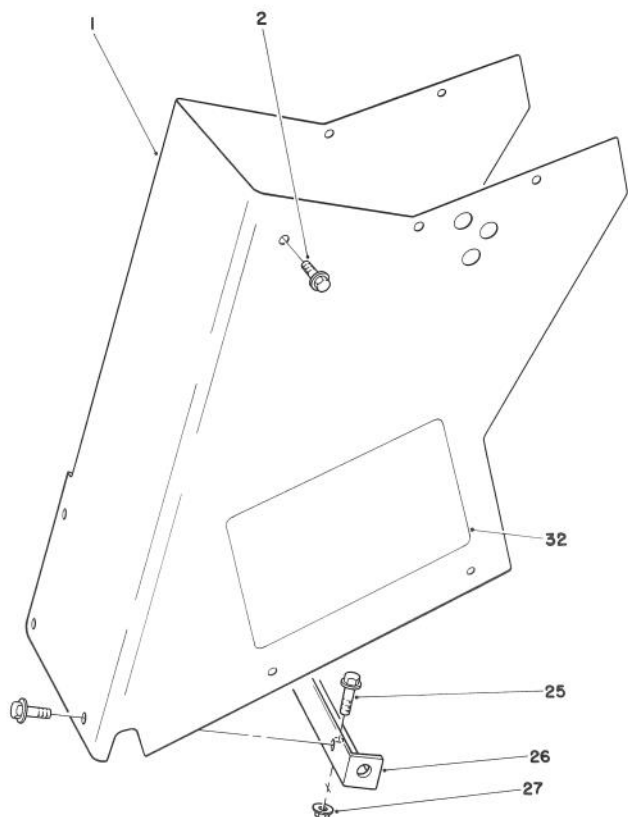
Ref. No.	Part No.	Description	No. Used
16	74-2700	Rod - Control	1
17	3256-6	Washer - Flat	1
18	3272-10	Pin - Cotter	1
19	3220-5	Nut - Jam	1
20	21-0140	Joint - Ball (Incl. Ref. #21)	1
21	32136-4	Nut - Castle	1
22	3272-6	Pin - Cotter	1
23	3272-7	Pin - Cotter	2
24	69-7650	Pedal - Traction	1
25	71-0440	Abrasive - Pedal Front	1
26	3245-32	Screw - Set	1
27	43-6200	Spring - Compression	1
28	256-273	Bushing - Flange	2
29	71-0450	Abrasive - Pedal Rear	1
30	256-156	Bushing - Flange	2



T-0876-90

## TOOL BOX ASSEMBLY

Ref. No.	Part No.	Description	No. Used	Ref. No.	Part No.	Description	No. Used
1	69-8110	Box - Tool	1	4	71-0410	Cover - Abrasive	1
2	69-9430	Foam - Tool Box	1	5	3234-14	Screw - Hex. Flange Hd.	4
3	69-8080	Cover - Tool Box	1				



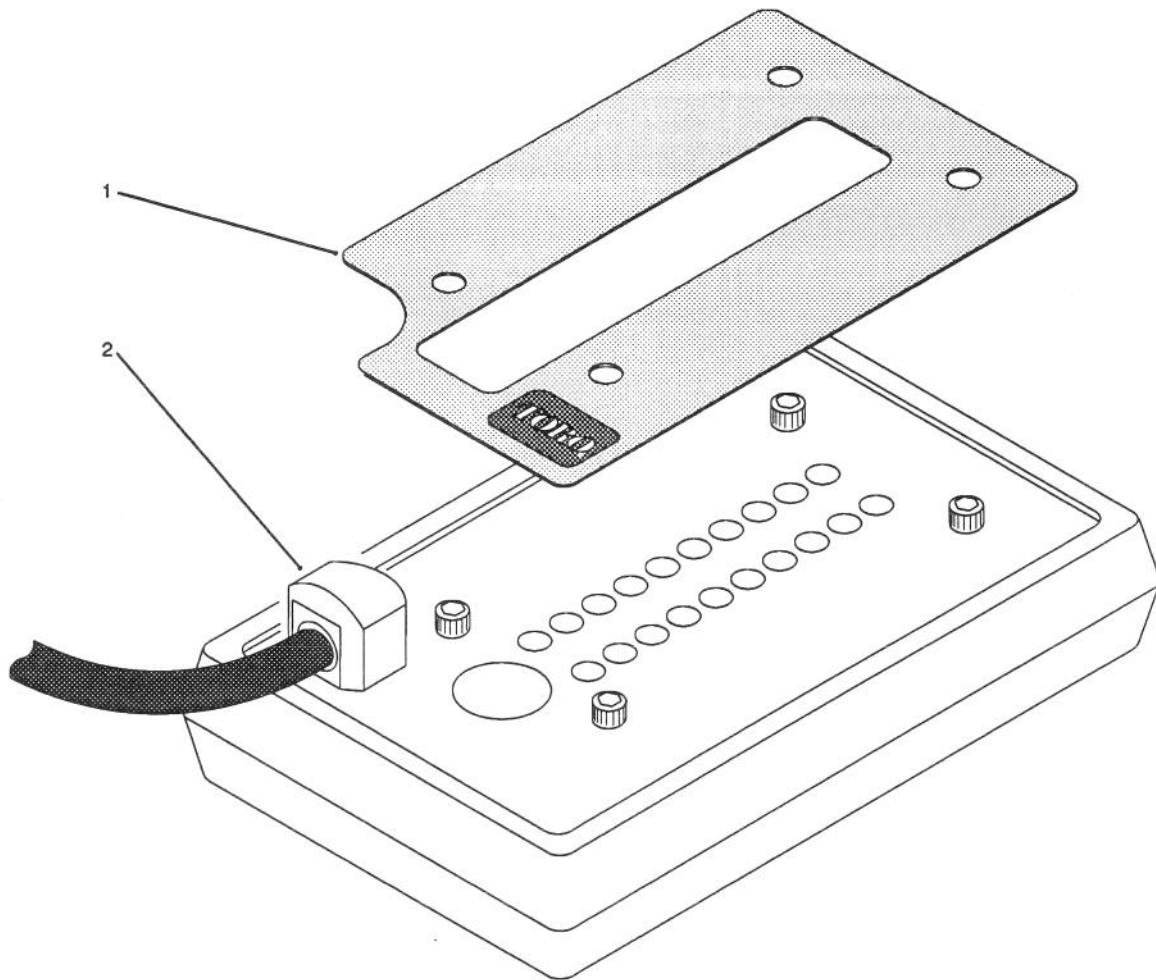
T-0340C

## CONTROL BOX ASSEMBLY

Ref. No.	Part No.	Description	No. Used
1	69-9560	Housing - Control	1
2	3234-7	Screw - Hex. Washer Hd.	11
3	80-9330	Alarm - Audio	1
4	323-4	Screw - Cap Hex. Hd.	4
5	88-9430	Decal - Fuse	1
6	69-6260	Magnet	1
7	32105-1	Screw - Hex. Socket Hd.	2
8	32105-13	Screw - Hex. Hd.	4
9	32122-53	Screw - Phil. Truss Hd.	2
10	43-4000	Breaker - Circuit 40A	1
11	3290-133	Screw - Round Hd.	4
12	3256-22	Washer - Flat	4
13	69-7040	Holder - Cup	1
14	321-3	Screw - Cap Hex. Hd.	4
15	3253-3	Washer - Lock	4
16	71-2430	Plate - Rear	1

Ref. No.	Part No.	Description	No. Used
17	71-4130	Support - Control	1
18	3290-378	Tie - Cable	2
19	3253-21	Washer - Lock	4
21	3296-2	Nut - Lock	6
22	92-1794	Controller	1
23	32149-7	Nut - Keps	3
24	67-7160	Block - Fuse	4
25	3234-14	Screw - Cap Hex. Hd.	2
26	69-8210	Support - Cover	1
27	32128-20	Nut - Flange Lock	2
32	80-4890	Decal - Service	1
33	218-581	Fuse - 15A	6
*	88-9420	Wire Harness Assembly (Incl. Ref. #24)	1
*	218-573	Fuse - 5A	1
*	3290-378	Tie - Cable	25

\*Not Illustrated

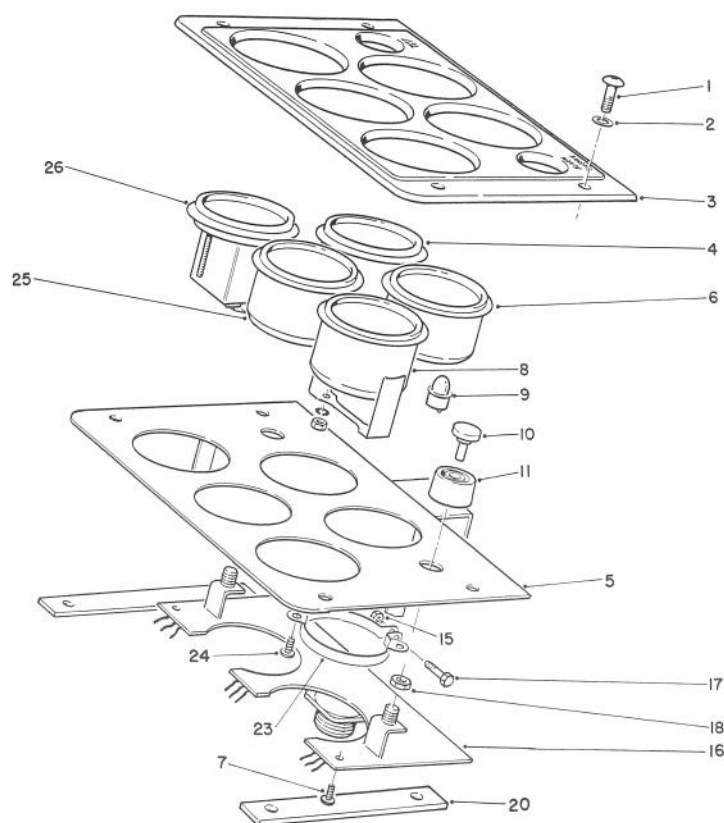


T-1458

## DIAGNOSTIC DISPLAY ASSEMBLY

Ref. No.	Part No.	Description	No. Used
1	88-1860	Decal - Diagnostic GM 580D	1

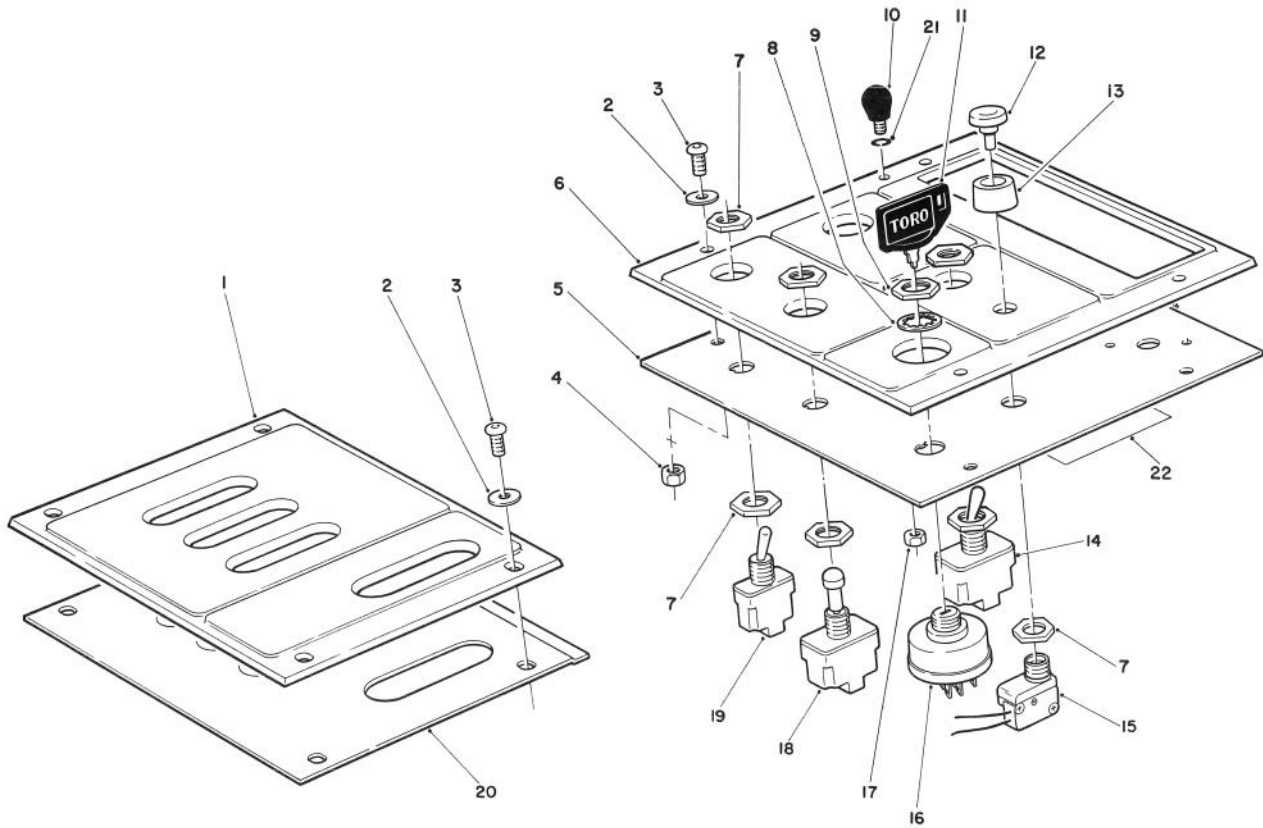
Ref. No.	Part No.	Description	No. Used
2	85-4750	Display - Diagnostic	1



T-1448

## UPPER CONTROL PANEL ASSEMBLY

Ref. No.	Part No.	Description	No. Used	Ref. No.	Part No.	Description	No. Used
1	3290-133	Screw - Round Hd.	4	11	43-6420	Bezel	2
2	3256-23	Washer	4	15	3296-2	Nut - Lock	2
3	71-4230	Panel	1	16	92-1771	Board - Instrument	1
4	71-4210	Cluster - Warning Light	1	17	32105-12	Screw - Cap Hex. Hd.	2
5	86-7410	Plate - Gage	1	18	218-498	Nut	2
6	71-4200	Cluster - Warning Light	1	20	71-4250	Spacer	2
7	32104-16	Screw - Tapping	4	23	69-4780	Clamp - Gauge	2
8	63-7430	Gauge - Temperature	1	24	32144-19	Screw - Round Hd.	4
9	219-17	Bulb - Light	8	25	66-2940	Gauge - Fuel	1
10	43-6280	Button	2	26	66-2950	Hourmeter	1

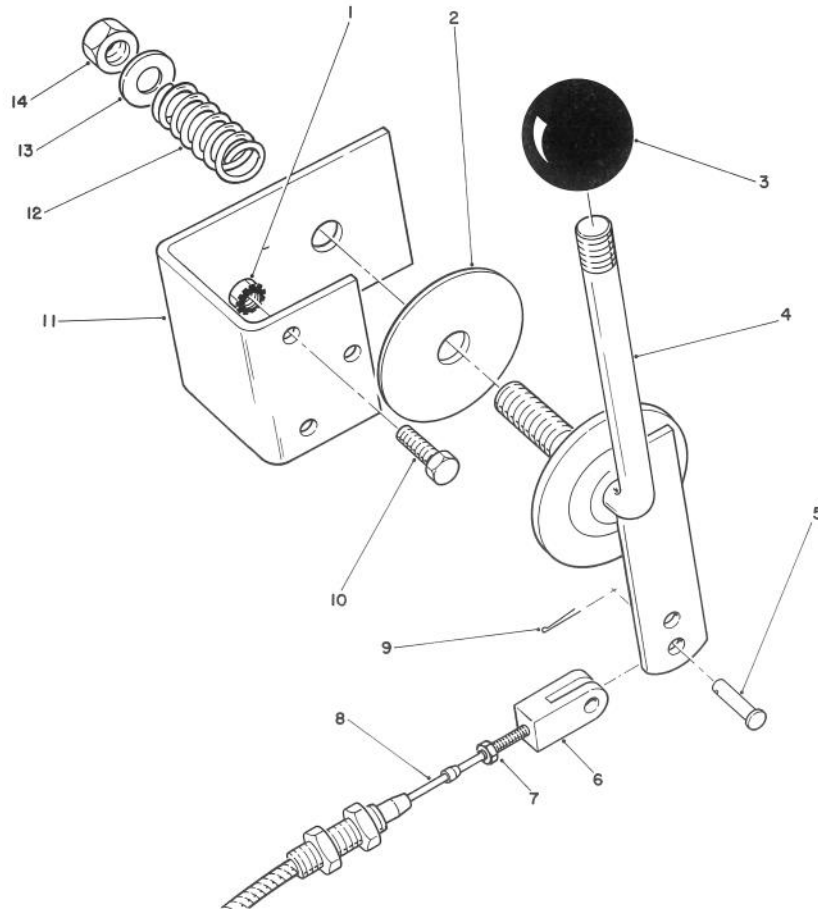


T-0371A

## LOWER CONTROL PANEL ASSEMBLY

Ref. No.	Part No.	Description	No. Used
1	69-0980	Panel - Lever	1
2	3256-22	Washer - Flat	8
3	3290-133	Screw - Round Hd.	8
4	3296-42	Nut - Lock	4
5	71-2460	Plate - Control	1
6	69-0990	Panel - Control	1
7	218-498	Nut - Hex	10
8	218-447	Washer - Lock	1
9	218-446	Nut - Hex	1
10	233-66	Knob	1
11	63-8360	Key - Ignition	1
12	43-6280	Button - Switch	2
13	43-6420	Bezel - Switch	2
14	69-9740	Switch - Toggle (Incl. Ref. #7)	1

Ref. No.	Part No.	Description	No. Used
15	72-9760	Switch - Push Button (Incl. Ref. #7, 12 & 13)	2
16	27-2360	Switch - Ignition (Incl. Ref. #8 & 9)	1
17	3290-392	Nut - Lock	1
18	69-9730	Switch - Toggle (Incl. Ref. #7)	1
19	71-4170	Switch - Toggle (Incl. Ref. #7)	1
20	69-9310	Plate - Lever	1
21	3253-15	Washer - Lock	A/R
22	74-2340	Decal - Fuse	1

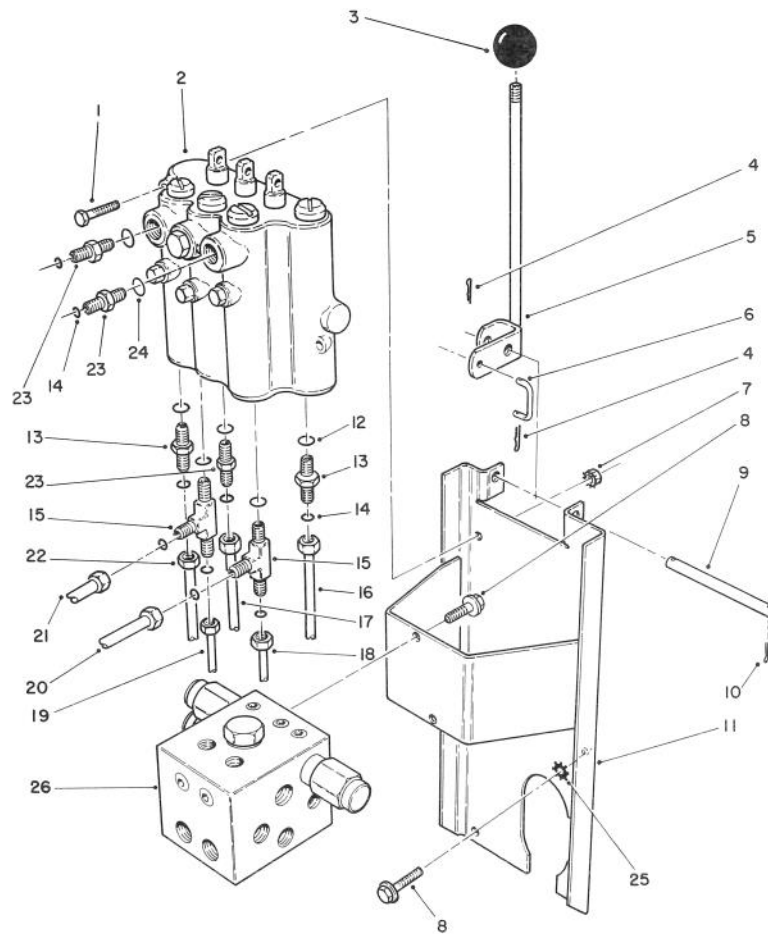


T-0352A-90

## THROTTLE ASSEMBLY

Ref. No.	Part No.	Description	No. Used	Ref. No.	Part No.	Description	No. Used
1	3296-42	Nut - Keps	3	8	77-2990	Cable - Throttle	1
2	3-2858	Disc - Friction	1	9	3272-1	Pin - Cotter	3
3	233-48	Knob	1	10	321-3	Screw - Cap Hex. Hd.	3
4	69-8040	Arm - Throttle	1	11	69-9130	Bracket - Throttle	1
5	283-67	Pin - Clevis Arm End	1	12	3-8596	Spring - Compression	1
*	69-0090	Pin - Clevis Engine End	1	13	3256-26	Washer - Flat	1
6	282-28	Clevis - Adjustable	2	14	3296-23	Nut - Lock	1
7	3219-14	Nut - Hex.	2				

\*Not Illustrated

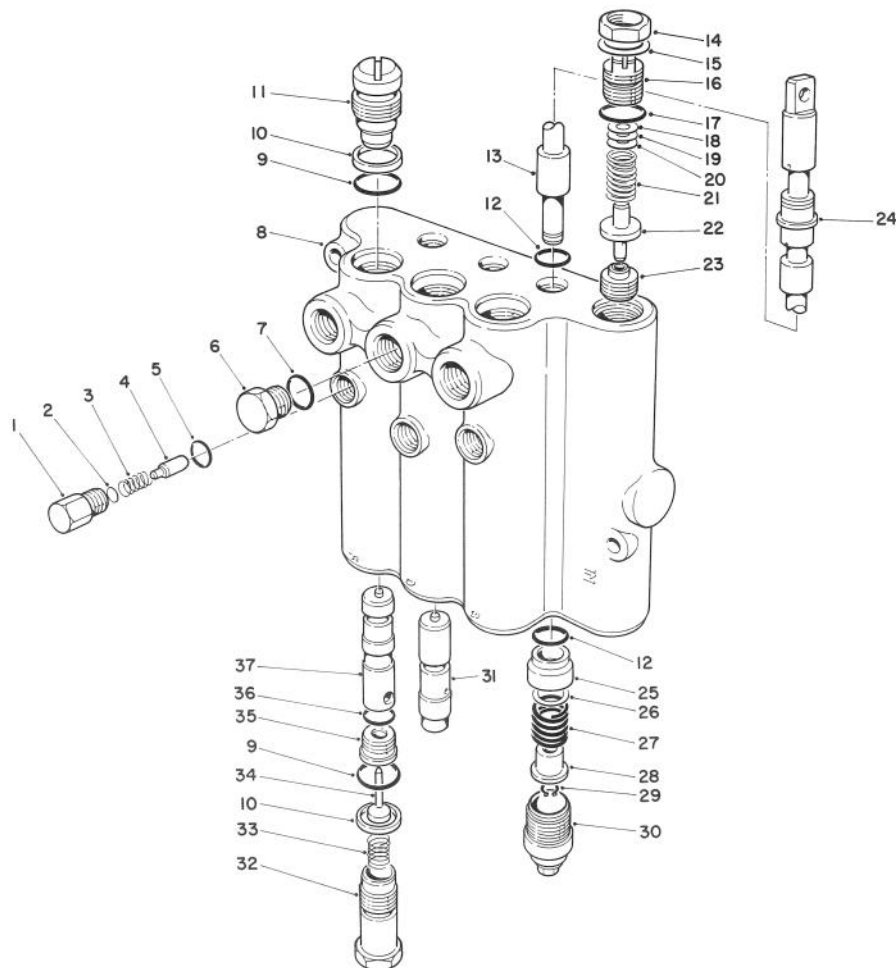


T-0355-90

## LIFT VALVE INSTALLATION ASSEMBLY

Ref. No.	Part No.	Description	No. Used	Ref. No.	Part No.	Description	No. Used
1	321-10	Screw - Cap Hex. Hd.	2	14	237-22	Seal - O-Ring	9
2	69-1780	Lift Valve Assembly	1	15	340-86	Fitting - Hydraulic Tee (Incl. Ref. #14 & 24)	2
3	233-42	Knob	3	16	69-5860	Tube - Hydraulic	1
4	3272-1	Pin - Cotter	6	17	69-5720	Tube - Hydraulic	1
5	69-7010	Lever - Valve L.H.	1	18	69-5700	Tube - Hydraulic	1
*	69-6990	Lever - Valve Mid.	1	19	69-5740	Tube - Hydraulic	1
*	69-7000	Lever - Valve R.H.	1	20	69-5680	Tube - Hydraulic	1
6	69-9140	Link - Valve Lever	3	21	69-5890	Tube - Hydraulic	1
7	32149-2	Nut - Keps	2	22	69-5870	Tube - Hydraulic	1
8	3234-14	Screw - Hex. Flange Hd.	6	23	340-2	Fitting - Hydraulic Straight (Incl. Ref. #14 & 24)	3
9	69-9150	Shaft - Valve Lever	1	24	237-42	Seal - O-Ring	5
10	3272-6	Pin - Cotter	2	25	3254-6	Washer - Lock	1
11	69-7810	Bracket - Valve	1	26	69-4060	Counterbalance Manifold Assembly	1
12	237-79	Seal - O-Ring	2				
13	340-3	Fitting - Hydraulic Straight (Incl. Ref. #12 & 14)	2				

\*Not Illustrated



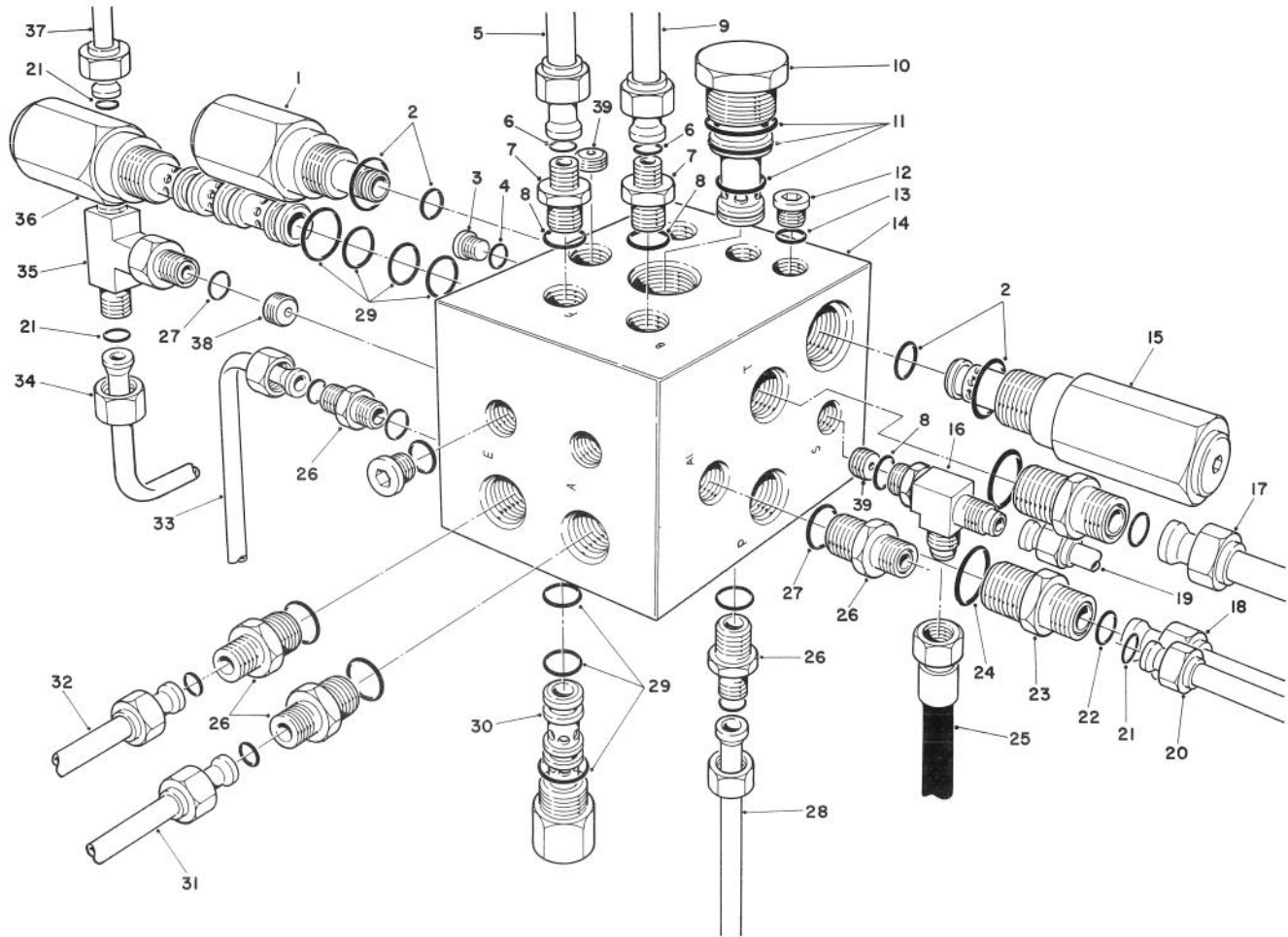
T-0379-90

## LIFT VALVE ASSEMBLY NO. 69-1780

Ref. No.	Part No.	Description	No. Used	Ref. No.	Part No.	Description	No. Used
1	58-6780	Plug Assy. (Incl. Ref. #5)	3	21	69-1820	Spring - Black	1
2	60-6450	Disc	A/R	22	58-6440	Poppet	1
3	58-6760	Spring	3	†23		Seat	1
4	58-6770	Plunger - Detent	3	24	58-6320	Wiper - Seal	3
5	58-6790	Seal - O-Ring	3	25	58-6400	Bushing	3
6	58-6710	Plug Assy. (Incl. Ref. #7)	1	26	58-6700	Washer	3
7	58-6720	Seal - O-Ring	1	27	58-6730	Spring	3
†8		Body	1	28	58-6310	Spacer	3
9	60-5720	Seal - O-Ring	6	29	58-6460	Ring - Retaining	3
10	58-6370	Washer - Back-Up	6	30	58-6420	Cap Assembly	3
11	58-6350	Plug Assembly (Incl. Ref. #9-10)	3	31	69-1840	Plunger	1
12	58-6450	Seal - O-Ring	6	32	69-1800	Plug Assembly (Incl. Ref. #9-10)	3
†13		Spool	3	33	69-1810	Spring	3
14		Nut - Lock	1	34	58-6290	Poppet Assembly	3
15		Washer	1	35	58-6330	Seat Assy. (Incl. Ref. #36)	3
16	69-1830	Plug Assembly (Incl. Ref. #14, 15 & 17)	1	36	58-6340	Seal - O-Ring	3
17	58-6750	Seal - O-Ring	1	37	69-1790	Plunger	2
18	58-6470	Washer	A/R	*	60-3780	Seal Kit (Incl. Ref. #5, 7, 9, 10, 12, 17, 24, 29, 34, & 36)	
19	58-6480	Washer	A/R				
20	58-6490	Washer	A/R				

\*Not Illustrated

†Not Serviceable Separately



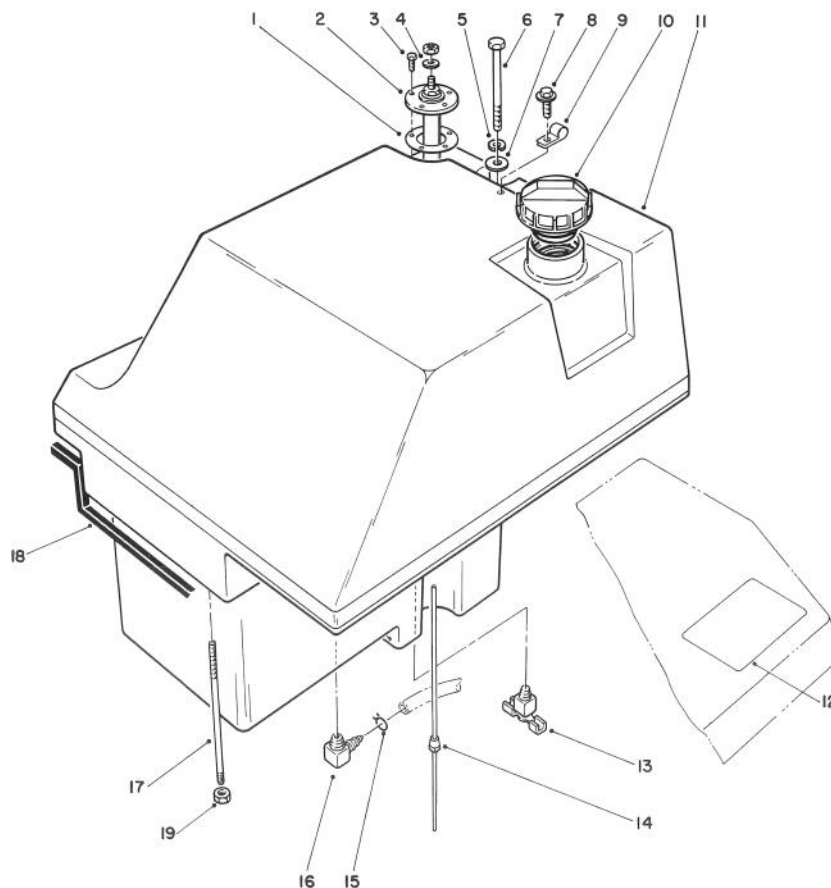
T-0356A-90

## COUNTERBALANCE MANIFOLD ASSEMBLY

Ref. No.	Part No.	Description	No. Used
1	69-4080	Valve - Hydraulic Cartridge (Incl. Ref. #2)	1
2	69-4230	Kit - Seal	2
3	353-990	Plug - Hose (Incl. Ref. #4)	2
4	237-78	Seal - O-Ring	2
5	69-5890	Tube - Hydraulic	1
6	237-21	Seal - O-Ring	2
7	340-92	Fitting - Hydraulic Straight (Incl. Ref. #6 & 8)	2
8	237-78	Seal - O-Ring	3
9	69-5680	Tube - Hydraulic	1
10	69-4120	Valve - Hydraulic Cartridge (Incl. Ref. #11)	1
11	69-4240	Kit - Seal	1
12	353-991	Plug - Hole (Incl. Ref. #13)	8
13	237-156	Seal - O-Ring	8
14	69-4070	Manifold - Counter Balance	1
15	69-4100	Valve - Hydraulic Cartridge (Incl. Ref. #2)	1
16	353-566	Tee - Hydraulic (Incl. Ref. #8)	1
17	71-3970	Tube - Hydraulic	1
18	69-5850	Tube - Hydraulic	1
19	69-5910	Tube - Hydraulic	1
20	69-5710	Tube - Hydraulic	1
21	237-22	Seal - O-Ring	7

Ref. No.	Part No.	Description	No. Used
22	237-30	Seal - O-Ring	2
23	340-4	Fitting - Hydraulic Straight (Incl. Ref. #22 & 24)	2
24	237-79	Seal - O-Ring	2
25	69-5660	Hose - Hydraulic Diagnostic	1
26	340-2	Fitting - Hydraulic Straight (Incl. Ref. #21 & 27)	5
27	237-42	Seal - O-Ring	6
28	69-5870	Tube - Hydraulic	1
29	69-4250	Kit - Seal	3
30	69-4110	Valve - Hydraulic Cartridge (Incl. Ref. #29)	2
31	69-5820	Tube - Hydraulic	1
32	69-5830	Tube - Hydraulic	1
33	69-5730	Tube - Hydraulic	1
34	69-5860	Tube - Hydraulic	1
35	340-94	Tee - Hydraulic (Incl. Ref. #21 & 27)	1
36	69-4090	Valve - Hydraulic Cartridge (Incl. Ref. #29)	1
37	69-5920	Tube - Hydraulic	1
*	69-4060	Counterbalance Manifold (Incl. Ref. #1-4, 10-15, 29, 30 & 36)	1
38	69-4140	Plug - Orifice .120	1
39	69-4130	Plug - Orifice .047	2

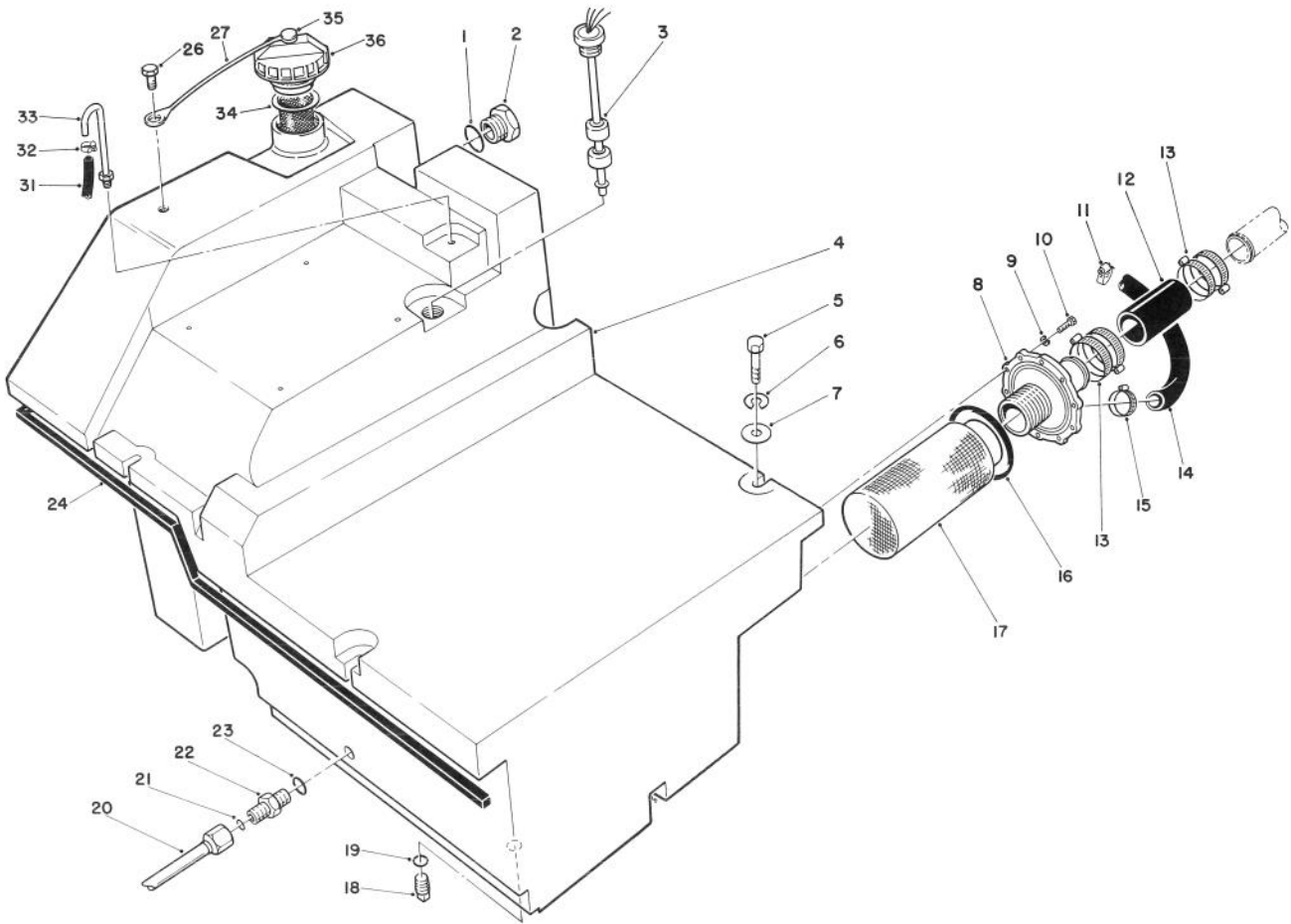
\*Not Illustrated



T-0353A-90

## FUEL TANK ASSEMBLY

Ref. No.	Part No.	Description	No. Used	Ref. No.	Part No.	Description	No. Used
1	62-7650	Gasket - Level Sensing Unit	1	11	80-0010	Tank - Fuel	1
2	70-6990	Level Sensing Unit Assembly	1	12	69-0930	Decal - Warning	1
3	32140-40	Screw - Cap Hex. Hd.	5	13	304-46	Drain - Fuel Tank	1
4	5-3637	Spacer - Terminal	1	14	69-7200	Tube - Vent	1
5	3253-21	Washer - Lock	2	15	2412-6	Clamp - Hose	1
6	323-23	Screw - Cap Hex. Hd.	1	16	353-781	Fitting - Fuel 90 Elbow	1
7	5-3177	Washer - Flat	1	17	72-9550	Stud - Fuel Tank	1
8	3234-13	Screw - Hex. Washer Hd.	1	18	68-7572	Strip - Sealing	1
9	2412-89	Clamp - R	1	19	3217-7	Nut - Hex.	1
10	70-8620	Cap - Fuel	1				

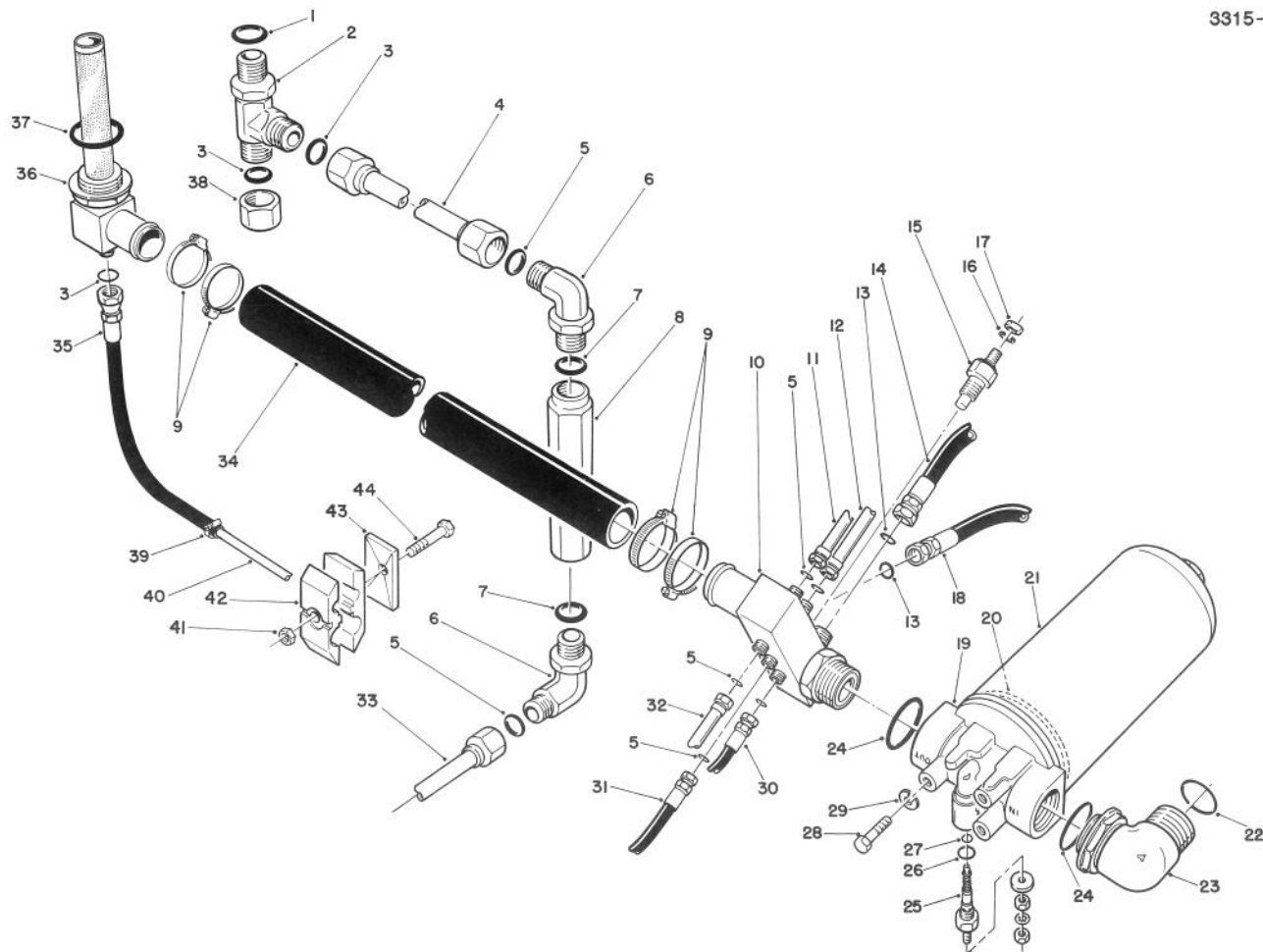


T-0354A-90

## HYDRAULIC TANK ASSEMBLY

Ref. No.	Part No.	Description	No. Used
1	237-81	Seal - O-Ring	1
2	69-1170	Gauge - Sight (Incl. Ref. #1)	1
3	85-6260	Level Sensing Unit	1
4	77-5390	Tank - Hydraulic	1
5	323-10	Screw - Cap Hex. Hd.	4
6	3253-21	Washer - Lock	4
7	5-3177	Washer - Flat	4
8	69-1610	Adapter - Suction Hose	1
9	3253-3	Washer - Lock	10
10	321-5	Screw - Cap Hex. Hd.	10
11	2412-34	Clamp - Hose	1
12	69-5640	Hose - Suction	1
13	2412-42	Clamp - Hose	4
14	69-5370	Hose - Auxiliary Suction	1
15	2412-3	Clamp - Hose	1
16	237-157	Seal - O-Ring	1
17	69-1650	Screen - Suction	1

Ref. No.	Part No.	Description	No. Used
18	58-9160	Plug - Drain	1
19	237-80	Seal - O-Ring	3
20	69-5800	Tube - Hydraulic	1
21	237-22	Seal - O-Ring	1
22	340-3	Fitting - Hydraulic Straight (Incl. Ref. #21 & 23)	1
23	237-79	Seal - O-Ring	1
24	68-7571	Strip - Sealing	1
26	321-2	Screw - Cap, Hex. Hd.	1
27	75-0540	Tether - Cap, Reservoir	1
31	71-2680	Hose - Vent	1
32	2412-108	Clamp - Hose	2
33	69-4280	Tube - Hydraulic Vent	1
34	61-2790	Filler - Screen	1
35	2410-73	Pin - Tether	1
36	70-8640	Cap - Hydraulic (Incl. Ref. #27 & 35)	1



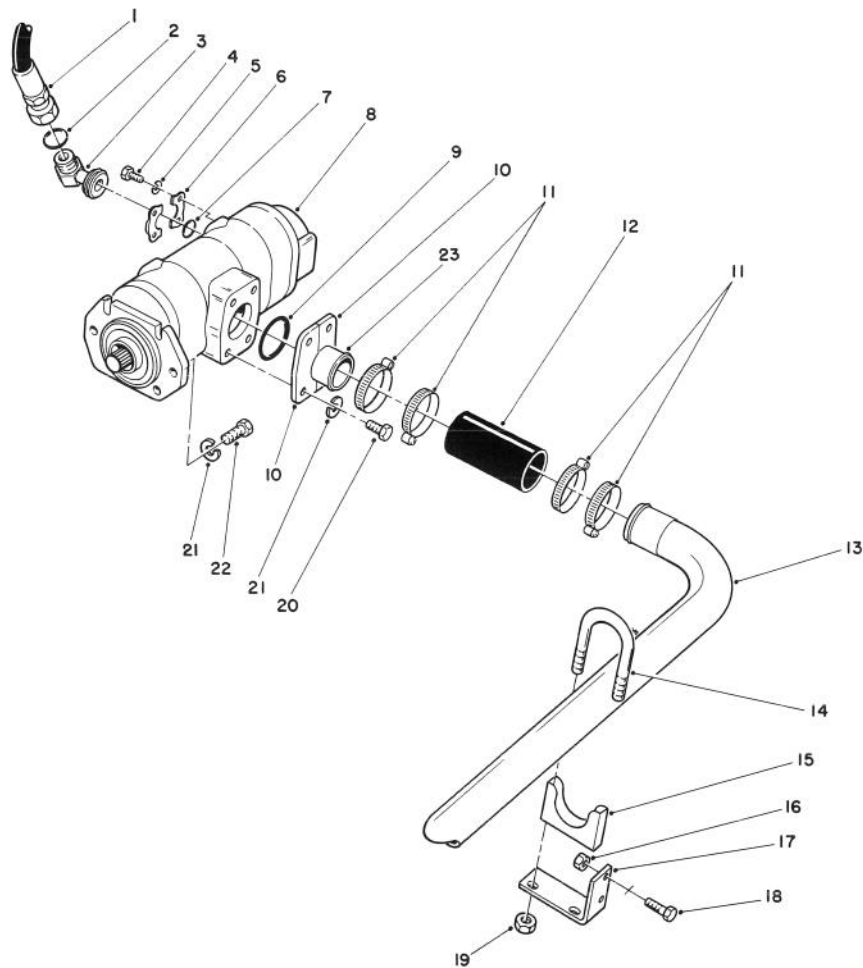
T-0367A

## HYDRAULIC FILTER ASSEMBLY

Ref. No.	Part No.	Description	No. Used
1	237-80	Seal - O-Ring	1
2	340-22	Fitting - Hydraulic Tee (Incl. Ref. #1 & 3)	1
3	237-58	Seal - O-Ring	3
4	76-4450	Tube - Hydraulic	1
5	237-22	Seal - O-Ring	5
6	340-18	Fitting - Hydraulic 90° Elbow (Incl. Ref. #5 & 7)	2
7	237-79	Seal - O-Ring	2
8	76-4470	Valve - Check	1
9	2412-92	Clamp - Hose	4
10	69-5410	Manifold - Return (Incl. Ref. #5, 13 & 24)	1
11	69-6000	Tube - Hydraulic (Incl. Ref. #5)	1
12	69-5990	Tube - Hydraulic (Incl. Ref. #5)	1
13	237-30	Seal - O-Ring	2
14	69-5460	Hose - Hydraulic	1
15	39-7592	Temperature Sending Unit	1
16	3253-2	Washer - Lock	1
17	3219-14	Nut - Hex.	1
18	69-5650	Hose - Hydraulic	1
19	69-1700	Hydraulic Filter Assembly (Incl. Ref. #20, 21 & 25-27)	1
20	237-155	Seal - O-Ring	1
21	69-1720	Element - Filter	

Ref. No.	Part No.	Description	No. Used
		(Incl. Ref. #20)	1
22	340-65	Seal - O-Ring	1
23	340-79	Fitting - Hydraulic 90° Elbow (Incl. Ref. #22 & 24)	1
24	237-101	Seal - O-Ring	2
25	69-1710	Indicator - Filter (Incl. Ref. # 26 & 27)	1
†26		Seal - O-Ring	1
†27		Seal - O-Ring	1
28	323-4	Screw - Cap Hex. Hd.	3
29	3253-21	Washer - Lock	3
30	69-5440	Hose - Hydraulic	1
31	69-8440	Hose - Hydraulic	1
32	69-5950	Tube - Hydraulic	1
33	76-4440	Tube - Hydraulic	1
34	74-2660	Hose - Hydraulic Return	1
35	92-2352	Hose - Hydraulic	1
36	92-2351	Fitting - Tank Return (Incl. Ref. #3 & 37)	1
37	340-136	Seal - O-Ring	1
38	340-150	Cap - Hydraulic	1
39	2412-119	Clamp - Hose	1
40	92-1742	Tube - Hydraulic	1
41	32152-1	Nut - Lock	3
42	56-7978	Clamp Half - Hydraulic Line	6
43	69-9761	Plate - Cover	3
44	322-11	Screw - Cap Hex. Hd.	3

†Not serviceable separately.



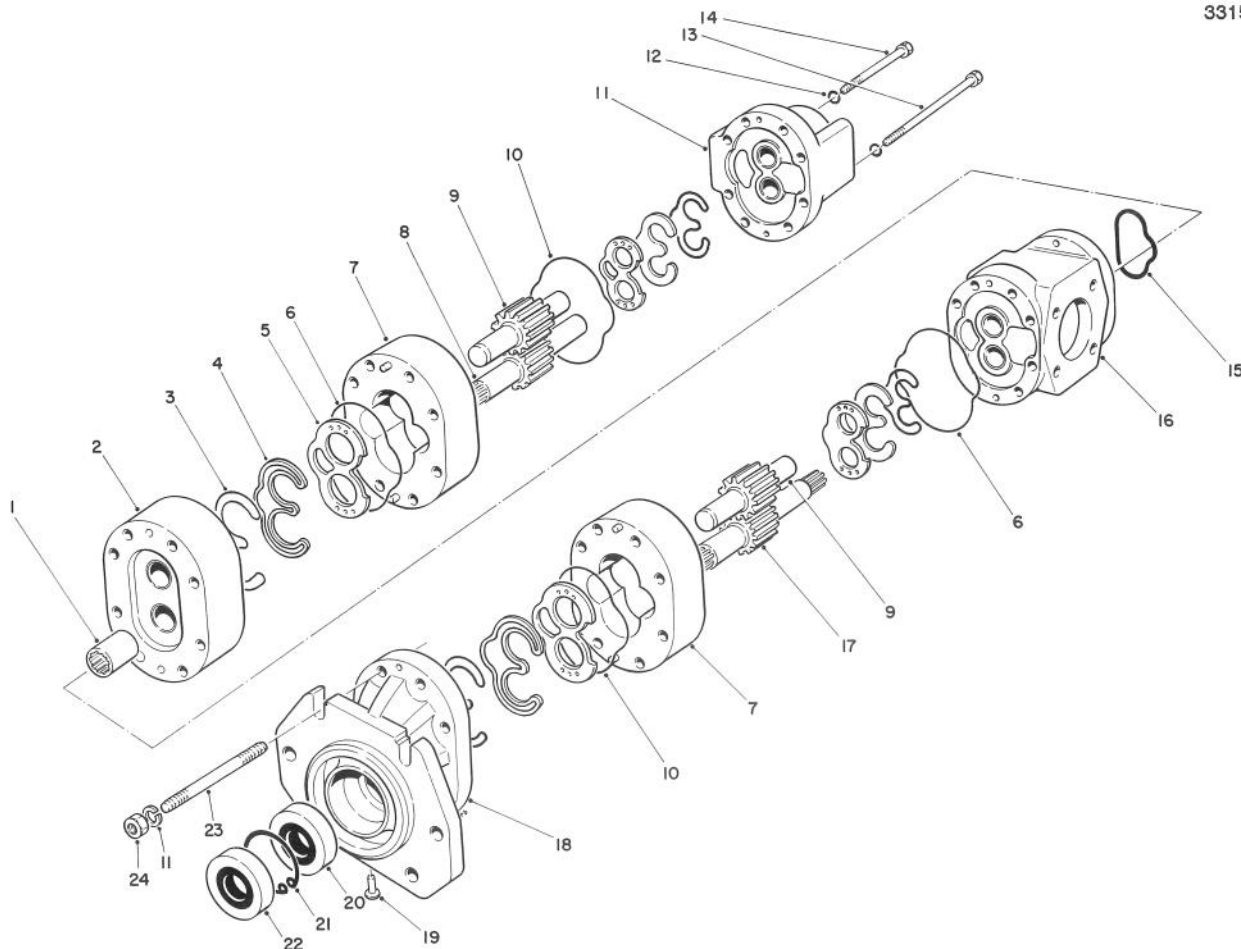
T-0349-90

## HYDRAULIC PUMP INSTALLATION ASSEMBLY

Ref. No.	Part No.	Description	No. Used
1	69-5590	Hydraulic Hose Assembly	2
2	237-58	Seal - O-Ring	2
3	69-6240	Fitting - Hydraulic 90° (Incl. Ref # 2 & 7)	2
4	323-7	Screw - Cap Hex. Hd.	8
5	3253-21	Washer - Lock	8
6	353-992	Flange - Fitting	4
7	340-135	Seal - O-Ring	2
8	69-2050	Hydraulic Pump Assembly	1
9	237-116	Seal - O-Ring	1
10	354-42	Flange - Half	2
11	2412-42	Clamp - Hose	4
12	69-5640	Hose - Hydraulic	1

Ref. No.	Part No.	Description	No. Used
13	69-6110	Hydraulic Tube Assembly	1
†14		Bolt - U	2
15	20-4840	Clamp - Tube (Incl. Ref. #14 & 19)	2
16	32152-2	Nut - Lock	4
17	69-9220	Support - Tube Clamp	2
18	323-6	Screw - Cap Hex. Hd.	4
19	3217-6	Nut - Lock	4
20	325-6	Screw - Cap Hex. Hd.	4
21	3253-7	Washer - Lock	8
22	3213-2	Screw - Cap Hex. Hd.	4
23	74-2270	Fitting - Suction	1

†Not serviceable separately.

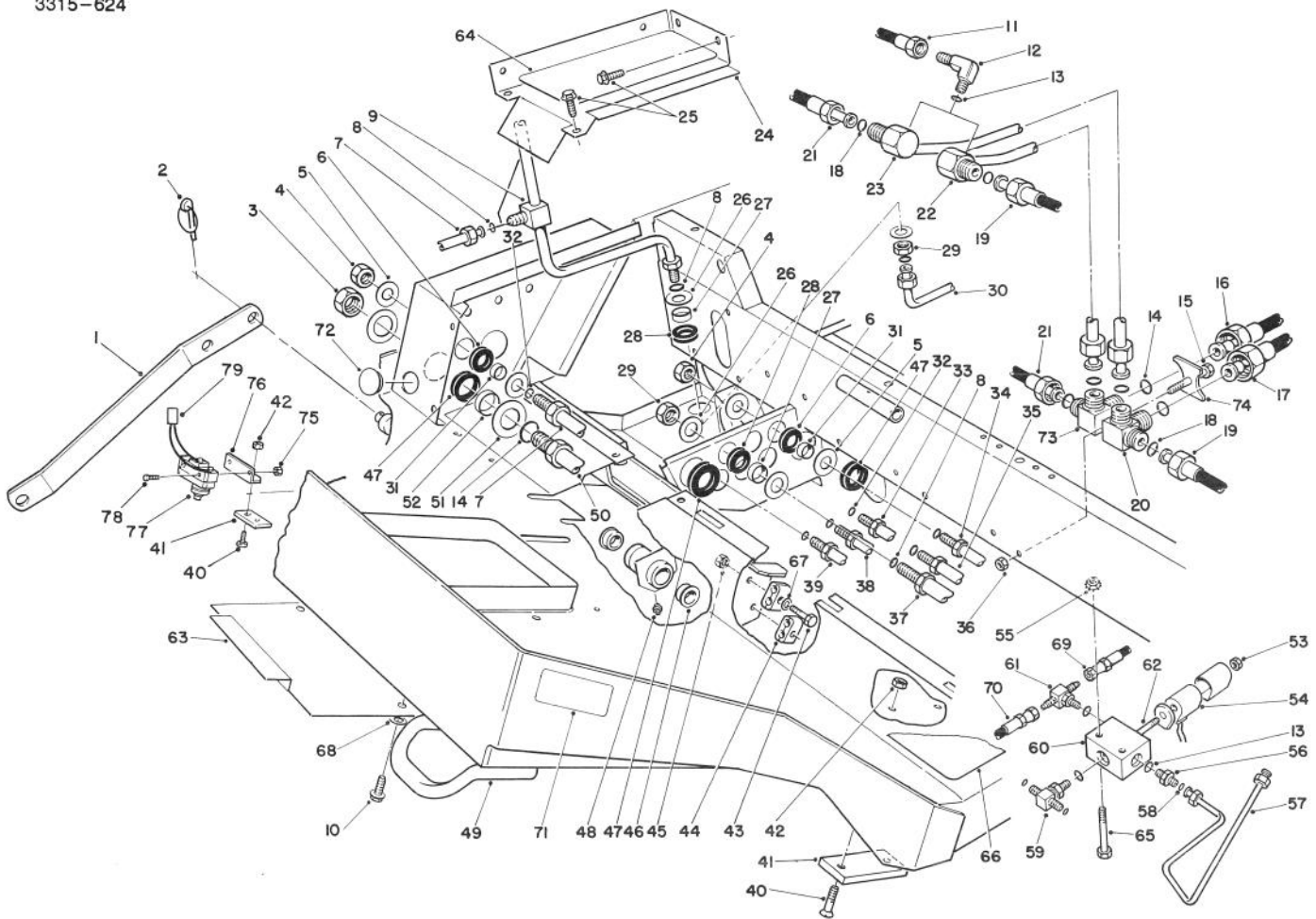


T-0382-90

## DOUBLE GEAR PUMP NO. 69-2050

Ref. No.	Part No.	Description	No. Used
1	69-2110	Coupling	1
2	69-2170	Adapter Section Assembly	1
3	59-7990	Seal - Gland	4
4	59-8470	Retainer - Seal	4
5	69-2070	Plate - Flex	4
6	69-2200	Seal - O-Ring	2
7	69-2080	Center Section Assembly	2
8	69-2090	Gear/Shaft - Rear Drive	1
9	59-8600	Gear - Driven	2
10	69-2120	Seal - O-Ring	2
11	69-2100	Rear Cover Assembly	1
12	59-7590	Washer - Lock	16
13	69-2150	Screw - Cap Hex. Hd.	4

Ref. No.	Part No.	Description	No. Used
14	69-2140	Screw - Cap Hex. Hd.	4
15	69-2210	Seal - O-Ring	1
16	69-2160	Port Section Assembly	1
17	59-8500	Gear/Shaft - Front Drive	1
18	69-2060	Shaft End Cover Assembly	1
19	69-2130	Plug	1
20	59-8590	Seal - Shaft	1
21	59-8580	Ring - Retaining	1
22	59-8570	Seal - Shaft	1
23	59-7970	Stud - Threaded	8
24	59-7580	Nut - Hex.	8
*	59-8610	Repair Kit (Incl. Ref. #3, 4, 20 & 22)	1



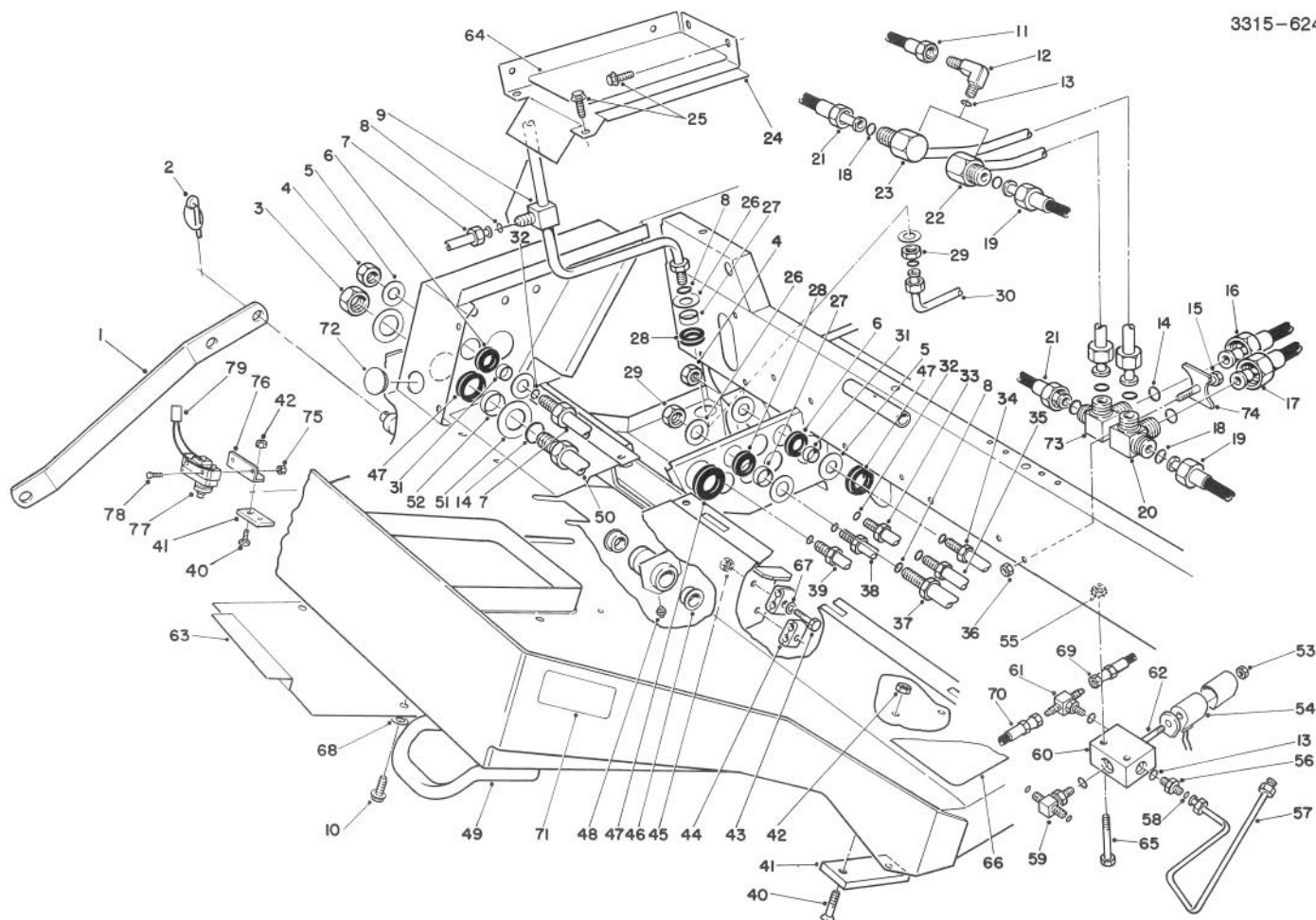
T-0357B

## FRAME ASSEMBLY

Ref. No.	Part No.	Description	No. Used
1	85-6190	Link - Deck Tilt	1
2	32-0140	Pin - Lynch	2
3	340-126	Nut - Bulkhead	2
4	340-70	Nut - Bulkhead	6
5	69-8940	Washer	12
6	240-4	Grommet	6
7	69-5690	Tube - Hydraulic (Incl. Ref. #32)	1
8	237-30	Seal - O-Ring	3
9	71-3970	Tube - Hydraulic (Incl. Ref. #8)	1
10	3234-28	Screw - Hex. Flange Hd.	2
11	69-5660	Hose - Hydraulic	2
12	353-375	Fitting - Hydraulic 90° Elbow (Incl. Ref. #13)	2
13	237-78	Seal - O-Ring	5
14	237-58	Seal - O-Ring	4
15	3274-86	Screw - Cap Socket Hd.	1
16	69-5470	Hose - Hydraulic	1
17	69-5480	Hose - Hydraulic	1
18	237-65	Seal - O-Ring	6
19	83-4330	Assy. - Tube, Traction L.H.	2
20	83-8350	Fitting - Traction, L.H. (Incl. Ref. #14 & 18)	1
21	83-4340	Assy. - Tube, Traction R.H.	2
22	69-6200	Tube - Hydraulic	

\*Not Illustrated

Ref. No.	Part No.	Description	No. Used
23	69-6190	(Incl. Ref. #18) Tube - Hydraulic (Incl. Ref. #18)	1
24	71-2450	Cover - Access	1
25	3234-14	Screw - Hex. Flange Hd.	4
26	69-8930	Washer	4
27	69-8960	Spacer	2
28	240-5	Grommet	2
29	340-127	Nut - Bulkhead	2
30	85-6150	Tube - Hydraulic	1
31	69-8970	Spacer	6
32	237-22	Seal - O-Ring	6
33	69-6050	Tube - Hydraulic (Incl. Ref. #32)	1
34	69-6040	Tube - Hydraulic (Incl. Ref. #32)	1
35	69-6030	Tube - Hydraulic (Incl. Ref. #32)	1
36	32152-1	Nut - Lock	1
37	69-5790	Tube - Hydraulic (Incl. Ref. #8)	1
38	69-6060	Tube - Hydraulic (Incl. Ref. #32)	1
39	69-5880	Tube - Hydraulic (Incl. Ref. #32)	1
40	32108-103	Screw - Machine Flat Hd.	4



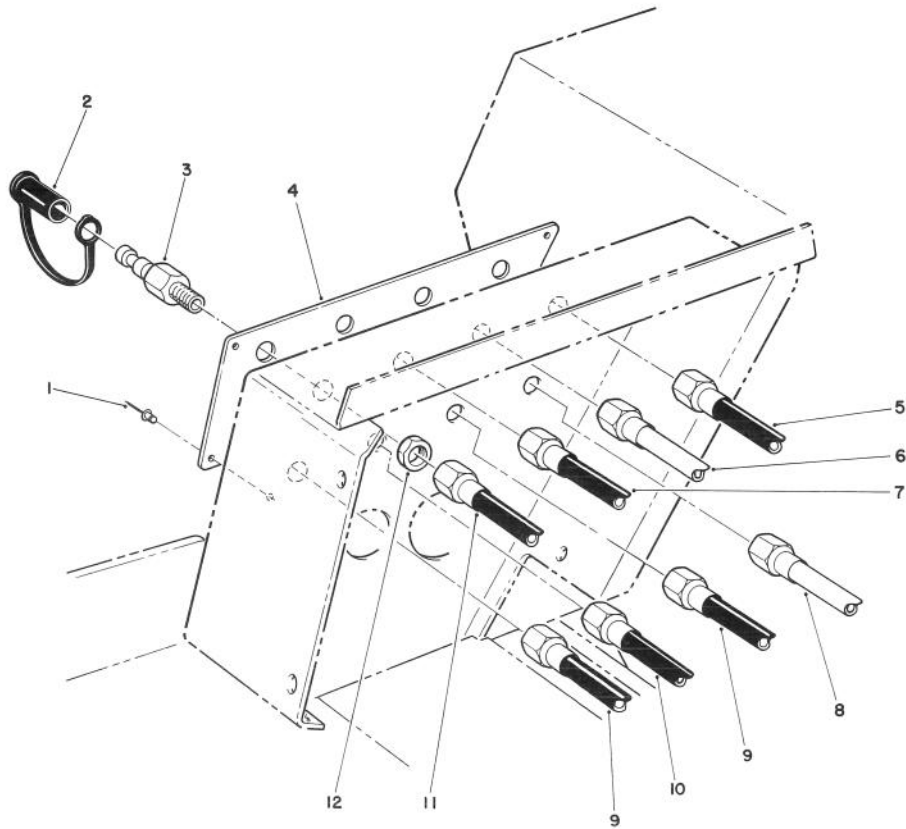
T-0357B

## FRAME ASSEMBLY (Continued)

Ref. No.	Part No.	Description	No. Used	Ref. No.	Part No.	Description	No. Used
41	69-9300	Cushion - Rubber	2	61	340-123	Fitting - Hydraulic (Incl. Ref. #13)	1
42	32152-1	Nut - Lock	4	62	92-3047	Valve - Solenoid (Incl. Ref. #53)	1
43	321-9	Screw - Cap Hex. Hd.	2	63	69-9470	Cover - Access	1
44	56-7973	Clamp Half - Hydraulic Line	4	64	71-0430	Cover - Abrasive	1
45	32152-4	Nut - Lock	2	65	321-11	Screw - Cap Hex. Hd.	2
46	256-247	Bushing - Flange	2	66	71-0420	Floor - Abrasive	1
47	240-7	Grommet	4	67	3256-56	Washer - Flat	2
48	302-5	Fitting - Grease	1	68	3256-23	Washer - Flat	2
49	69-0100	Frame - Assembly (Incl. Ref. #46 & 48)	1	69	69-5663	Hose - Diagnostic	1
50	69-6100	Tube - Hydraulic Pressure (Incl. Ref. #14)	1	70	69-5664	Hose - Diagnostic	1
*	69-5810	Tube - Hydraulic Return (Incl. Ref. #14)	1	71	72-4080	Decal - Danger	2
51	69-8910	Washer	4	72	2410-10	Plug - Button	1
52	69-8900	Spacer	2	73	83-8360	Fitting - Traction, R.H.	1
53	3220-4	Nut	1	74	83-8370	Plate - Clamp	1
54	92-3048	Solenoid Coil Kit	3	75		Nut - Lock	2
55	32149-2	Nut - Keps	2	76	88-9280	Bracket - Switch	1
56	340-92	Fitting - Hydraulic (Incl. Ref. #13 & 58)	1	77	29-6163	Switch	1
57	69-5950	Tube - Hydraulic	1	78	3249-11	Screw	2
58	237-21	Seal - O-Ring	3	79	88-9510	Wire - Switch	1
59	340-125	Fitting - Hydraulic (Incl. Ref. #13 & 58)	1	*	92-3049	Valve Seal Kit	1
†60		Body - Valve	1	*	71-2630	Solenoid Valve Assembly (Incl. Ref. #53, 54, 60, 62 & Valve Seal Kit #92-3049)	1

\*Not Illustrated

†Not serviceable separately.

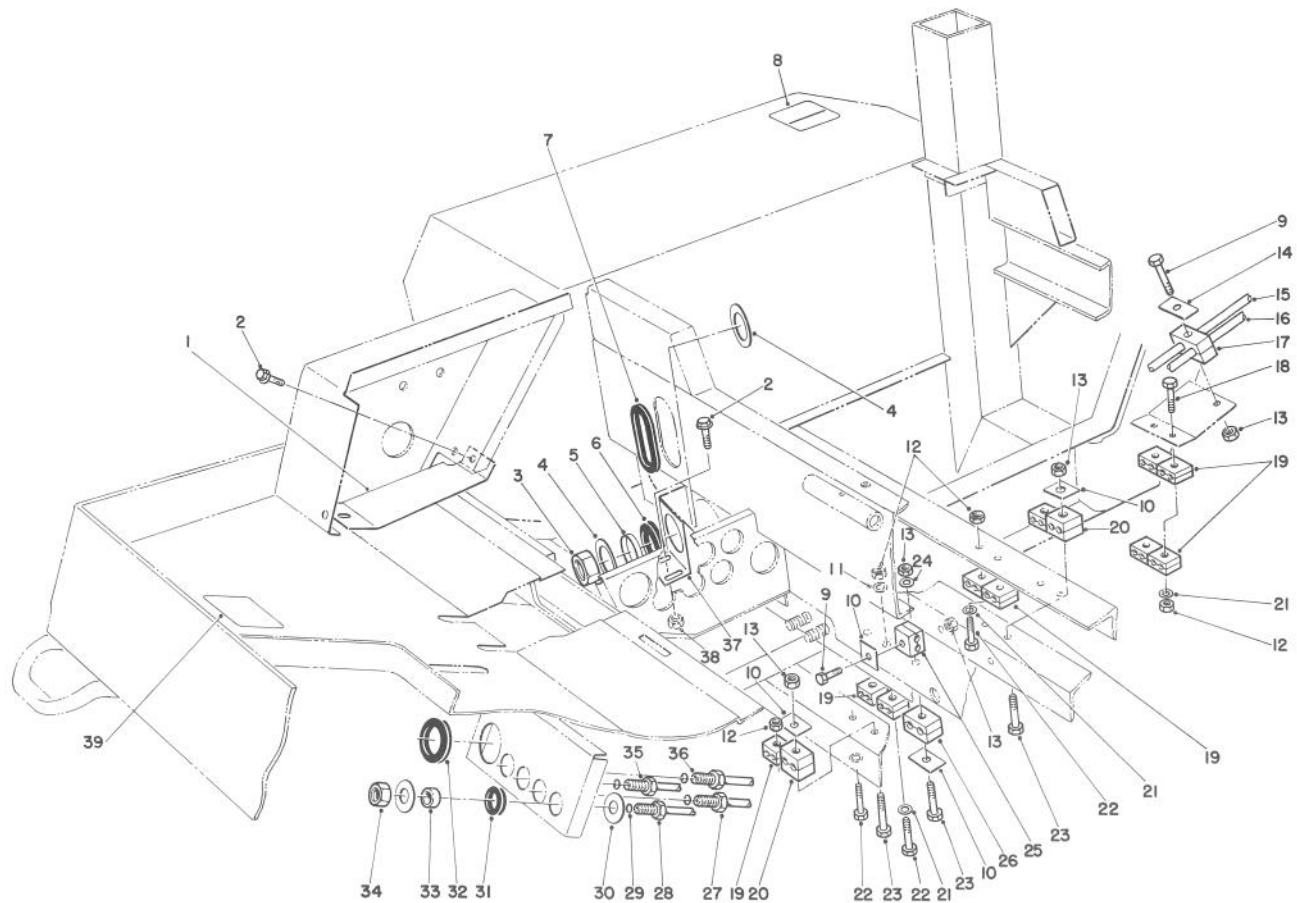


T-0363A-90

## HYDRAULIC SYSTEM DIAGNOSTIC PANEL ASSEMBLY

Ref. No.	Part No.	Description	No. Used
1	3269-25	Rivet - Pop	4
2	353-947	Cap - Fitting	8
3	353-997	Fitting - Hydraulic Bulkhead (Incl. Ref. #12)	8
4	69-0960	Panel - Diagnostic	1
5	69-5660	Hose - Hydraulic Diagnostic	1
6	69-5910	Tube - Hydraulic Diagnostic	1

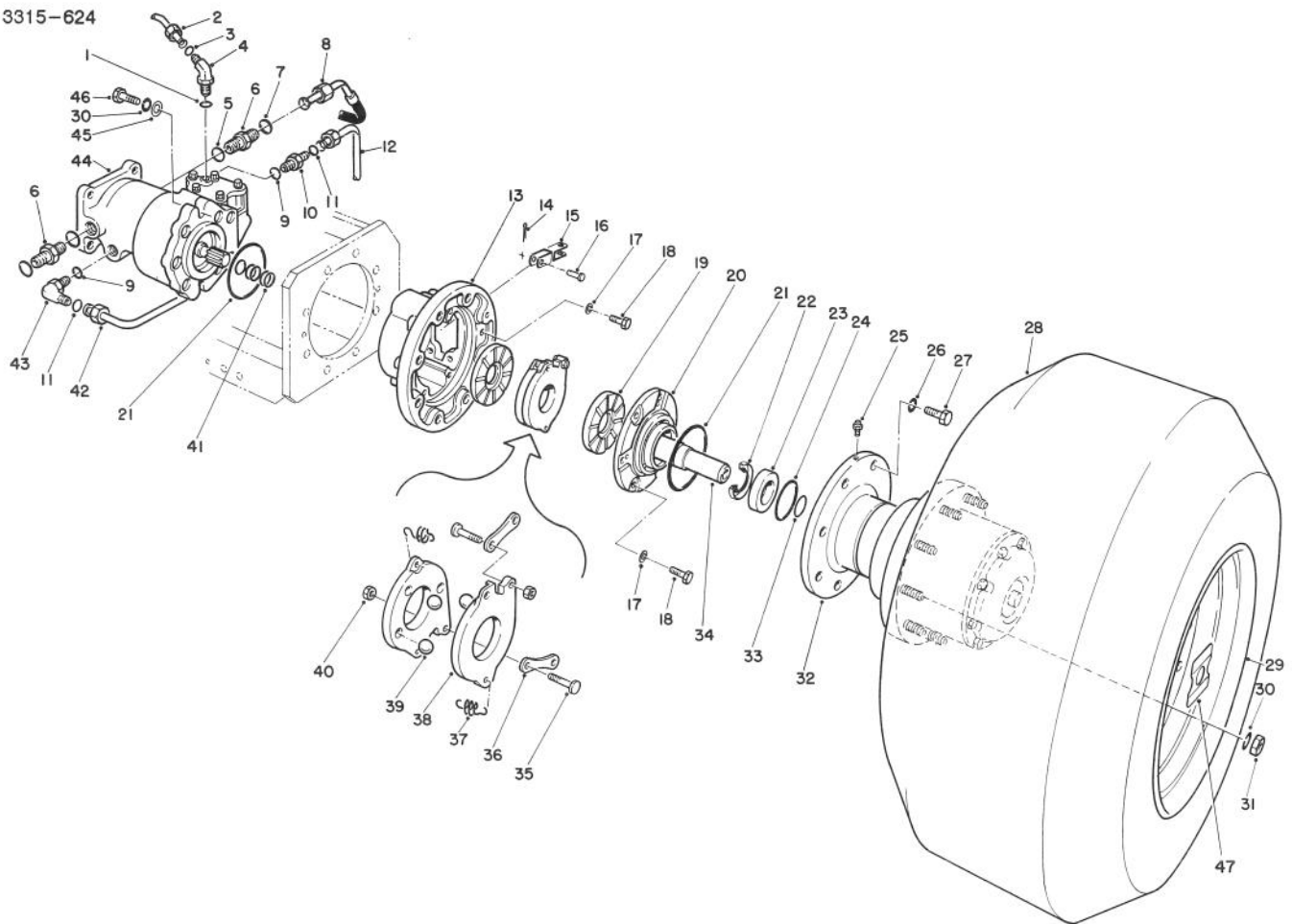
Ref. No.	Part No.	Description	No. Used
7	69-5664	Hose - Hydraulic Diagnostic	1
8	69-5920	Tube - Diagnostic	1
9	69-5662	Hose - Hydraulic Diagnostic	2
10	69-5665	Hose - Hydraulic Diagnostic	1
11	69-5661	Hose - Hydraulic Diagnostic	1
12	3220-4	Nut - Bulkhead	8



T-0358-90

## HYDRAULIC LINE CLAMPS ASSEMBLY

Ref. No.	Part No.	Description	No. Used	Ref. No.	Part No.	Description	No. Used
1	69-9330	Cover	1	23	322-10	Screw - Cap Hex. Hd.	3
2	3234-14	Screw - Hex. Flange Hd.	6	24	3256-23	Washer - Flat	1
3	340-128	Nut - Bulkhead	2	25	56-7975	Clamp Half - Hydraulic Line	8
4	69-8920	Washer	4	26	56-7971	Clamp Half - Hydraulic Line	2
5	69-8950	Spacer	2	27	69-6090	Tube - Hydraulic (Incl. Ref. #29)	1
6	240-2	Grommet	2	28	69-5800	Tube - Hydraulic (Incl. Ref. #29)	1
7	237-164	Grommet	1	29	237-21	Seal - O-Ring	4
8	69-0920	Decal - Hydraulic Oil	1	30	69-8980	Washer	8
9	322-11	Screw - Cap Hex. Hd.	5	31	240-6	Grommet	4
10	69-9760	Plate - Cover	7	32	240-7	Grommet	1
11	3256-22	Washer - Flat	2	33	69-8990	Spacer	4
12	32152-4	Nut - Lock	6	34	340-78	Nut - Bulkhead	4
13	32152-1	Nut - Lock	8	35	69-6080	Tube - Hydraulic (Incl. Ref. #29)	1
14	69-9761	Plate - Cover	1	36	69-6070	Tube - Hydraulic (Incl. Ref. #29)	1
15	69-6130	Tube - Hydraulic	1	37	71-2560	Support - Bulkhead	2
16	69-6120	Tube - Hydraulic	1	38	32128-20	Nut - Lock	4
17	56-7974	Clamp Half - Hydraulic Line	2	39	69-0940	Decal - Caution	1
18	321-15	Screw - Cap Hex. Hd.	2				
19	56-7973	Clamp Half - Hydraulic Line	20				
20	56-7972	Clamp Half - Hydraulic Line	4				
21	3256-56	Washer - Flat	8				
22	321-9	Screw - Cap Hex. Hd.	6				



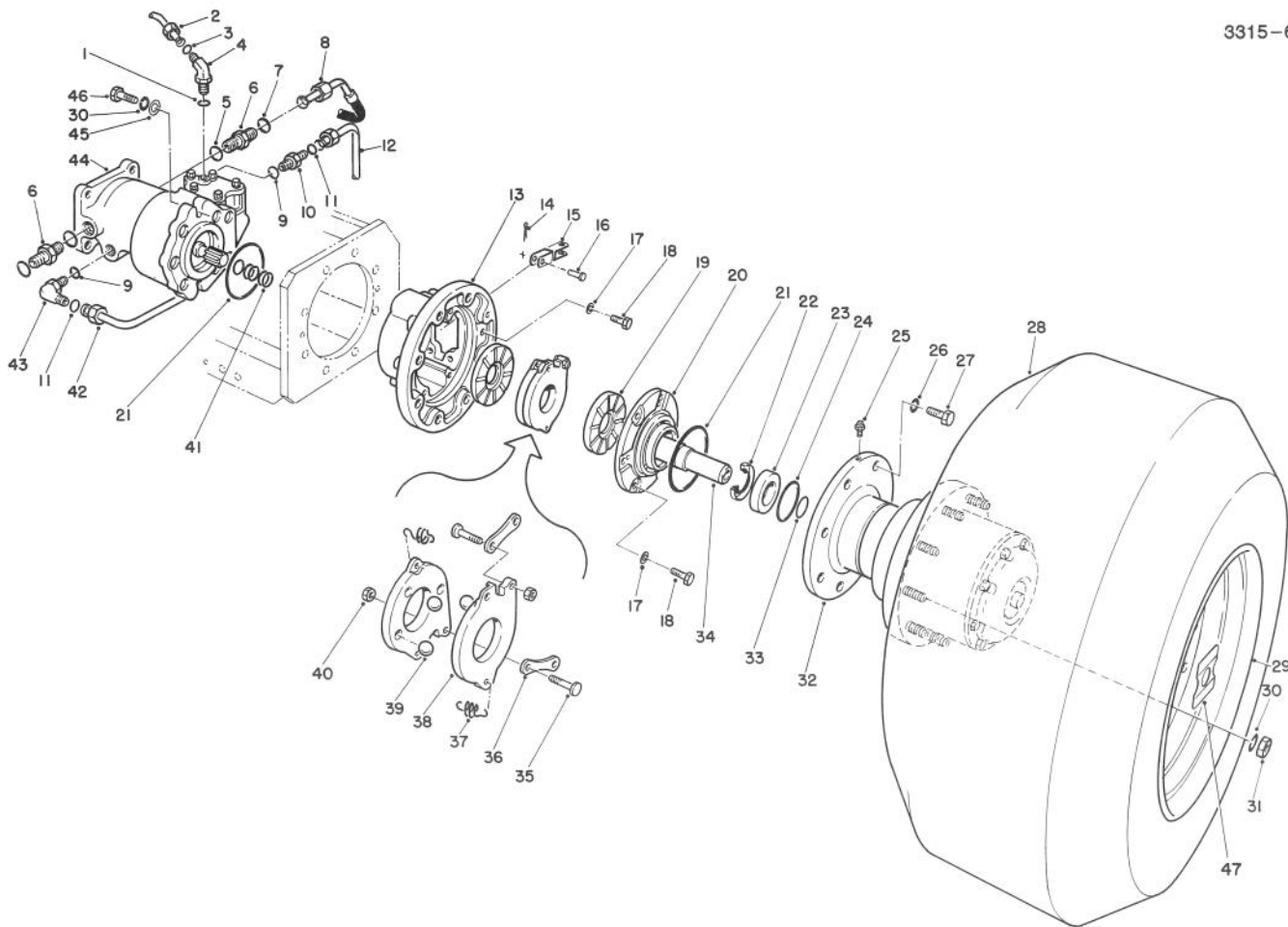
T-0342-90

## FRONT WHEEL ASSEMBLY

Ref. No.	Part No.	Description	No. Used
1	237-42	Seal - O-Ring	2
2	69-5940	Tube - Hydraulic L.H.	1
*	69-5930	Tube - Hydraulic R.H.	1
3	237-21	Seal - O-Ring	2
4	340-82	Fitting - Hydraulic Elbow (Incl. Ref. #1 & 3)	2
5	237-146	Seal - O-Ring	4
6	340-91	Fitting - Hydraulic Straight (Incl. Ref. #5 & 7)	4
7	237-58	Seal - O-Ring	6
8	69-5760	Hose - Hydraulic L.H.	2
*	69-5770	Hose - Hydraulic R.H.	2
9	237-81	Seal - O-Ring	4
10	340-9	Fitting - Hydraulic St. L.H. (Incl. Ref. #9 & 11)	1
*	340-148	Fitting - Hydraulic Tee R.H. (Incl. Ref. #7 & 9)	1
11	237-58	Seal - O-Ring	3
12	92-1742	Tube - Hydraulic L.H.	1
*	76-4440	Tube - Hyd. R.H. Run	1
*	85-6150	Tube - Hyd. R.H. Branch	1
13	71-4010	Housing - Brake	2
14	3272-6	Pin - Cotter	2
15	71-3880	Clevis - Brake Cable	2
16	283-2	Pin - Clevis	2
17	3253-21	Washer - Lock	14
18	323-6	Screw - Cap Hex. Hd.	14

Ref. No.	Part No.	Description	No. Used
19	71-0470	Disc - Middle	4
20	71-3990	Cap - Brake Housing	2
21	237-158	Seal - O-Ring	4
22	253-156	Seal - Oil	2
23	251-340	Bearing - Ball	2
24	32120-22	Ring - Retaining Internal	2
25	302-39	Vent	2
26	3253-8	Washer - Lock	16
27	327-22	Screw - Cap Hex. Hd.	16
28	69-9800	Tire	2
*	58-5620	Tube - Inner	1
*	231-139	Tire - R.H. (Optional)	2
*	231-140	Tire - L.H. (Optional)	1
29	71-2470	Rim	2
30	3253-7	Washer - Lock	22
31	3219-5	Nut - Hex.	18
32	69-1730	Planetary Gear Drive Assy.	2
33	32120-84	Ring - Retaining External	2
34	71-3810	Coupling - Hydraulic Motor	2
35	69-9970	Stud	4
36	69-9960	Link	4
37	69-9950	Spring - Extension	4
38	69-9990	Disc - Actuating	4
39	69-9980	Ball	6
40	69-9940	Nut - Jam	4
41	253-157	Ring - Cup	8
42	92-1741	Tube - Hydraulic	1

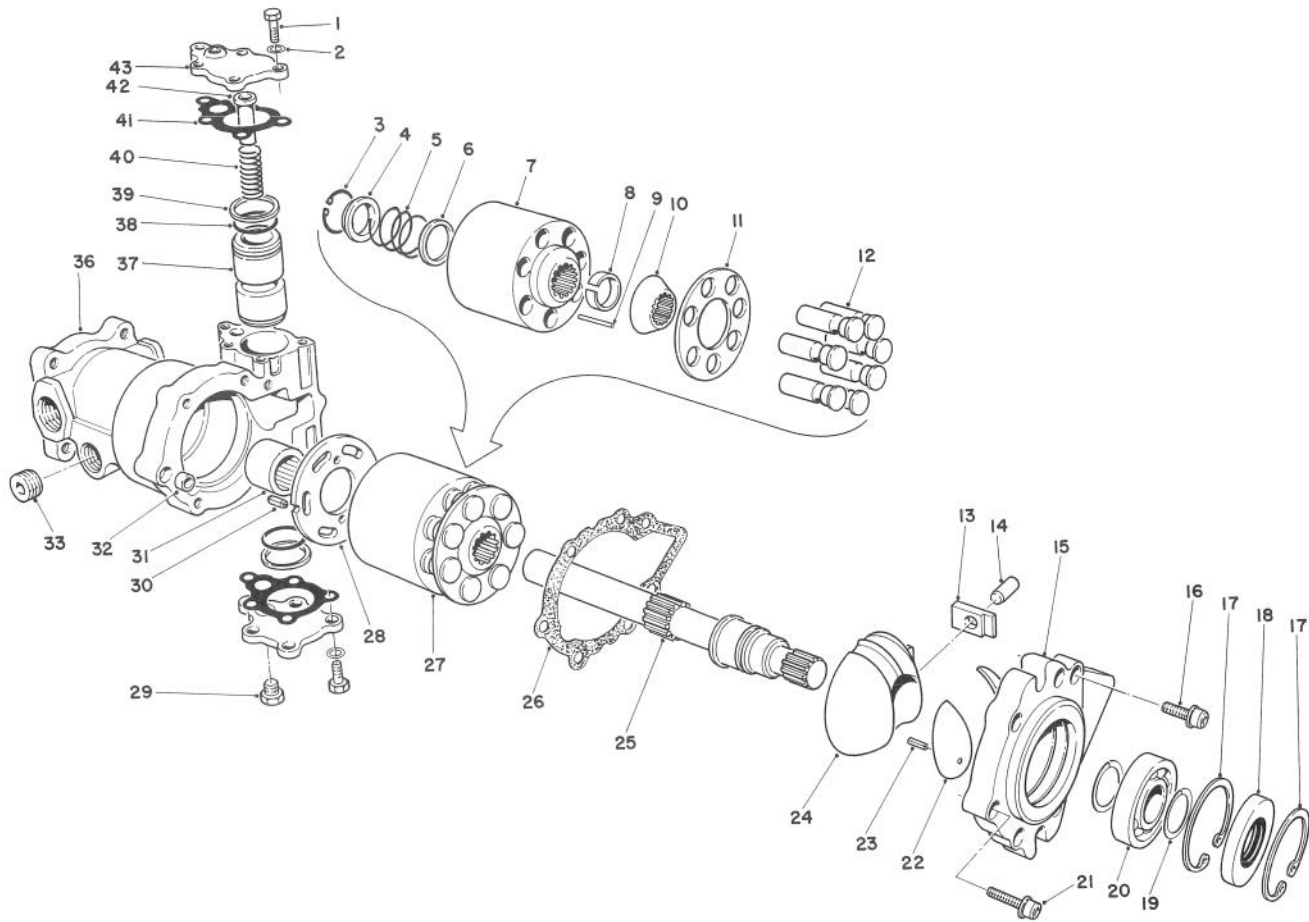
\*Not Illustrated



T-0342-90

## FRONT WHEEL ASSEMBLY (Continued)

Ref. No.	Part No.	Description	No. Used	Ref. No.	Part No.	Description	No. Used
43	340-142	Fitting - Hydraulic Elbow (Incl. Ref. #9 & 11)	2	45	3256-26	Washer - Flat	4
44	69-3050	Motor - Hydraulic Wheel	2	46	325-7	Screw - Cap Hex. Hd.	4
				47	72-4070	Decal - Danger	2



T-0372-90

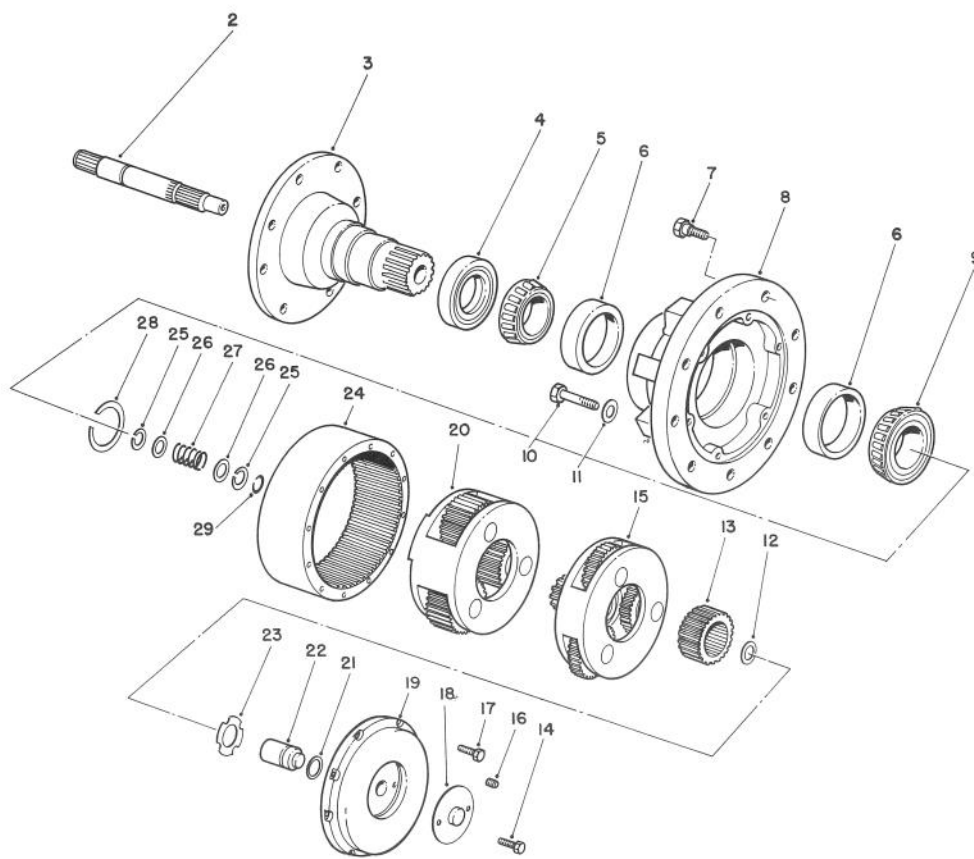
## WHEEL MOTOR NO. 69-3050

Ref. No.	Part No.	Description	No. Used
1	69-3150	Screw Hex. Hd.	10
2	69-3070	Washer - Plain	10
†3		Ring - Retaining	1
†4		Washer	1
†5		Spring - Compression	1
†6		Washer	1
†7		Block - Cylinder	1
†8		Retainer	1
†9		Pin - Slipper Hold Down	3
†10		Guide - Retainer	1
†11		Guide - Slipper	1
†12		Piston Assembly	7
13	69-3500	Bearing - Sleeve	1
14	69-3510	Pin	1
15	76-4610	Cover - Front	1
16	76-4590	Screw	6
17	69-3200	Ring - Retaining	2
18	69-3190	Seal - Lip	1
19	69-3170	Ring - Retaining	2
20	69-3210	Bearing - Ball	1
21	69-3960	Screw	1
22	69-3970	Bearing - Journal	2

Ref. No.	Part No.	Description	No. Used
23	69-3520	Pin - Spring	2
24	69-3980	Swashplate - Variable	1
25	69-3950	Shaft - Motor	1
26	76-4600	Gasket - Front Cover	1
27	69-3910	Cylinder Block Kit (Incl. Ref. #3-12)	1
28	69-3990	Plate - Motor Valve	1
29	69-3940	Plug	1
30	69-3450	Pin	1
31	69-3370	Bearing - Needle	1
32	69-3230	Pin - Spring	1
33	69-3130	Plug - Hole	1
†36		Housing	1
37	69-4020	Piston - Servo	1
38	69-3560	Seal - O-Ring	2
39	69-3570	Ring - Piston	2
40	69-4030	Spring - Servo	1
41	69-3710	Gasket - Servo Cover	2
42	69-4040	Stop - Servo Piston	1
43	69-3720	Cover - Servo	2
*	69-3920	Piston Ring & O-Ring Kit (Incl. Ref. #38 & 39)	1

\*Not Illustrated

†Not serviceable separately.



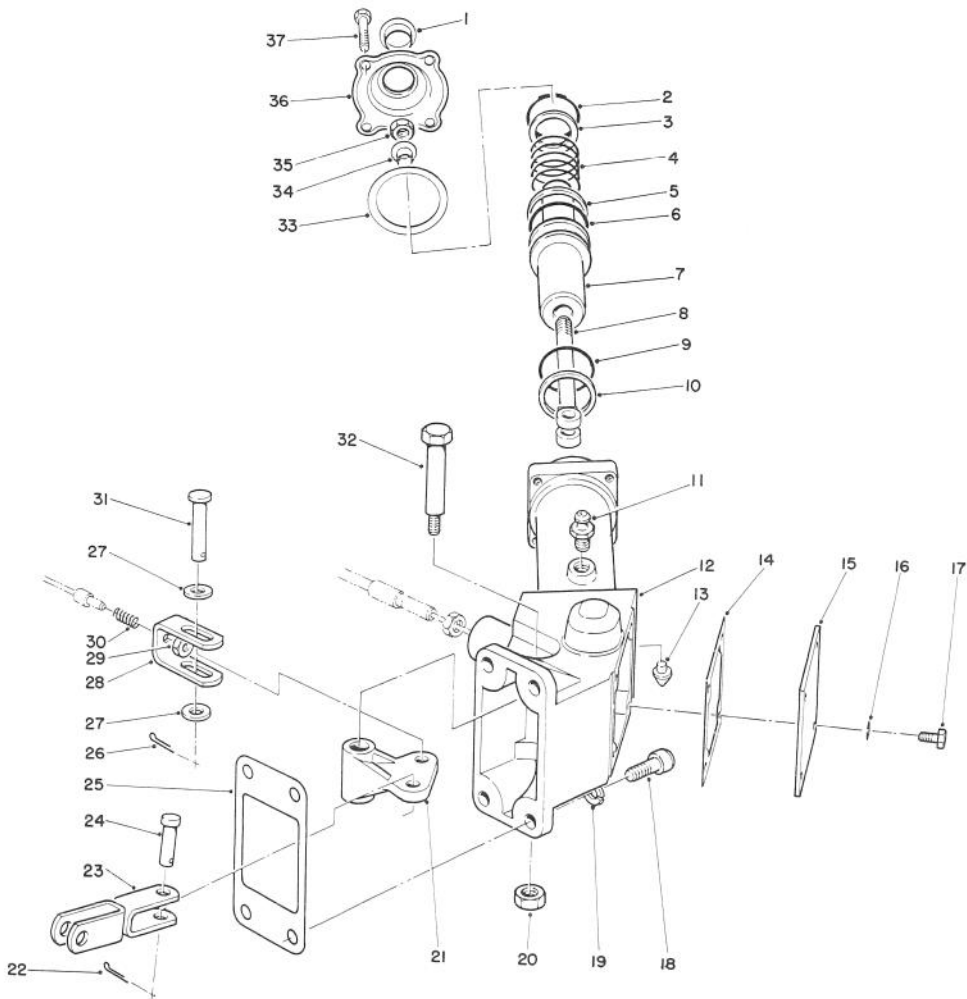
T-0140-90

## PLANETARY GEAR ASSEMBLY NO. 69-1730

Ref. No.	Part No.	Description	No. Used	Ref. No.	Part No.	Description	No. Used
2	60-3810	Shaft - Input	1	16	60-4040	Plug - Pipe	1
3	69-1740	Spindle	1	17	60-4030	Bolt - Hex. Hd.	8
4	60-3830	Seal - Oil	1	18	60-4060	Cover - Disengage	1
5	60-3840	Cone - Bearing	1	19	60-4050	Cover - Large	1
6	60-3850	Cup - Bearing	2	20	60-4000	Secondary Carrier Assy.	1
7	60-3860	Bolt - Wheel	9	21	60-4020	Seal - O-Ring	1
8	60-3870	Hub	1	22	60-4010	Plunger - Disengage	1
9	60-3880	Cone - Bearing	1	23	60-3990	Washer - Thrust	1
10	60-3890	Bolt - Hex. Hd.	6	24	60-3900	Gear - Ring	1
11	60-3910	Washer - Flat	6	25	60-3930	Ring - Retaining	2
12	60-3980	Washer - Thrust	1	26	60-3940	Washer	2
13	60-3970	Gear - Primary Sun	1	27	60-3950	Spring - Disengage	1
14	60-4070	Bolt - Hex. Hd.	2	†28	62-6450	Kit - Retaining Ring	1
15	60-3960	Primary Carrier Assembly	1	*	62-6460	Sealant - RTV (Tube)	1

\*Not Illustrated

†Includes 7 different thickness retaining rings for service adjustment of bearings.



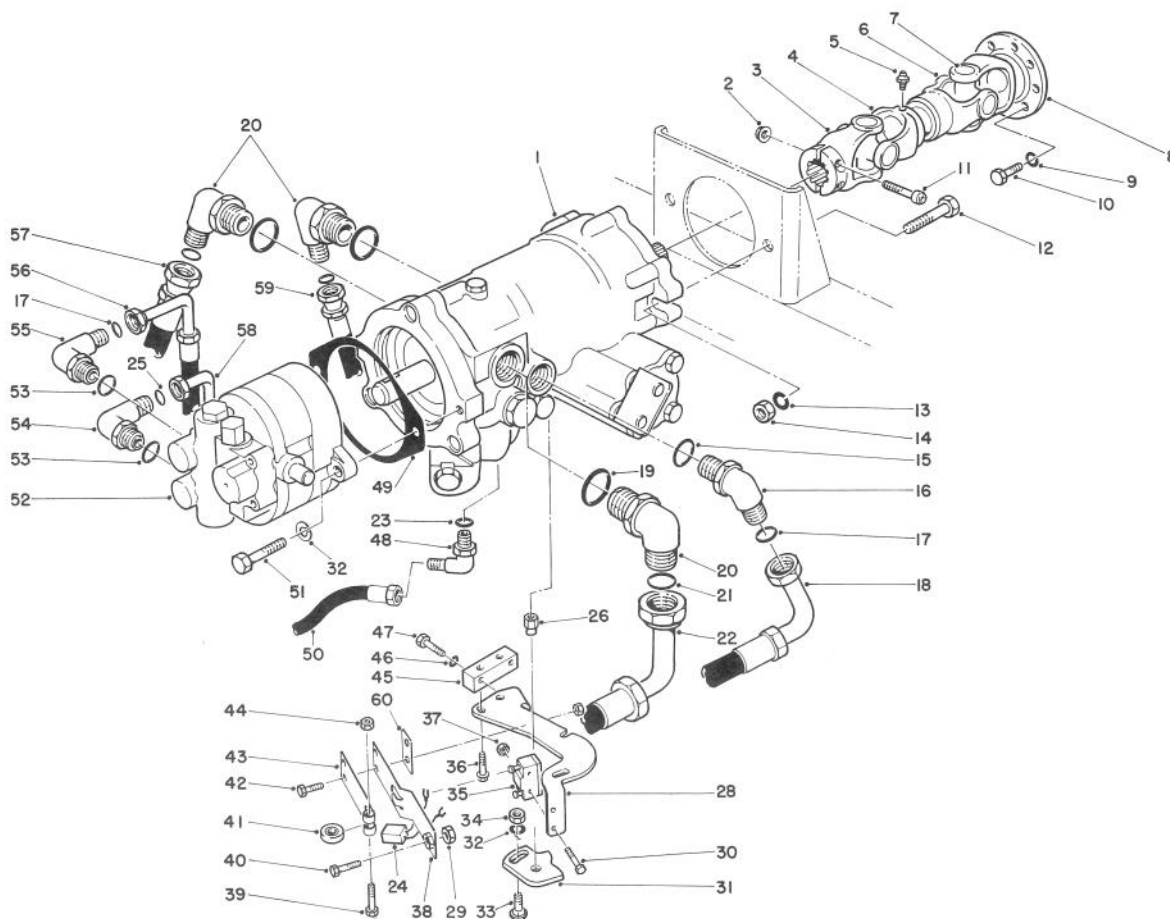
T-1277

## WHEEL BRAKE ASSEMBLY

Ref. No.	Part No.	Description	No. Used
1	2410-71	Plug	2
2	32151-100	Ring - Retaining	2
3	69-8910	Washer	2
4	82-7850	Spring - Compression	2
5	354-104	Ring - Backup	2
6	237-175	O-Ring	2
7	82-7840	Piston - Brake	2
8	21-2070	Yoke - End	2
9	237-174	O-Ring	2
10	354-105	Ring - Backup	2
11	82-7830	Screw - Bleed, Brake	2
12	82-7790	Housing - Actuator, R.H.	1
*	82-7780	Housing - Actuator, L.H.	1
13	82-7820	Seat - Brake, Tube	2
14	71-3870	Gasket	2
15	71-3850	Cover - Housing	2
16	3253-3	Washer - Lock	8
17	321-2	Screw - Cap Hex. Hd.	8
18	3274-7	Screw - Cap Socket Hd.	8

Ref. No.	Part No.	Description	No. Used
19	3253-21	Washer - Lock	8
20	32128-25	Nut - Lock	2
21	71-3830	Bellcrank - Brake	2
22	3272-6	Pin - Cotter	2
23	71-3880	Clevis - Brake Cable	2
24	283-2	Pin - Clevis	2
25	71-3900	Gasket	2
26	3272-10	Pin - Cotter	2
27	3256-24	Washer - Flat	4
28	71-3860	Clevis	2
29	3296-3	Nut - Lock	2
30	69-0030	Spring - Compression	2
31	283-15	Pin - Clevis	2
32	12-8900	Bolt - Shoulder	2
33	71-3920	Gasket	2
34	71-3910	Collar	2
35	3296-59	Nut - Lock	2
36	71-4110	Cap - Actuator	2
37	321-6	Screw - Cap Hex. Hd.	8

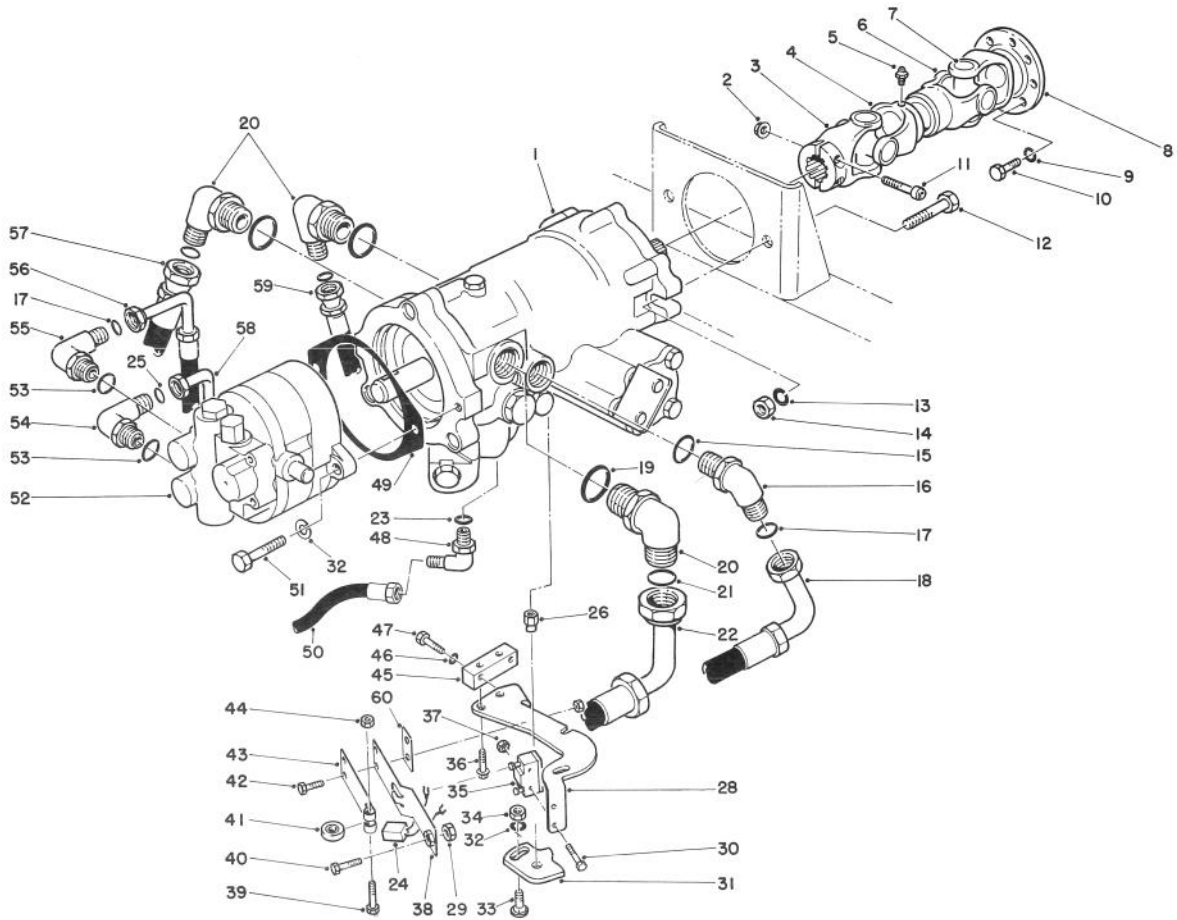
\*Not Illustrated



T-0350-90

## VARIABLE DISPLACEMENT PUMP INSTALLATION

Ref. No.	Part No.	Description	No. Used	Ref. No.	Part No.	Description	No. Used
1	69-3040	Variable Displacement Pump	1	27	32152-4	Nut - Lock	2
2	32128-21	Nut - Flange Lock	2	28	69-9480	Bracket - Neutral Device	1
3	71-0520	Yoke - Pump End	1	29	3219-2	Nut - Hex.	1
4	71-0530	Tube - Slip Yoke	1	30	3249-11	Screw - Cap Hex. Hd.	2
5	302-2	Fitting - Grease	1	31	69-9040	Cam - Neutral Device	1
6	71-0510	Shaft - Slip Yoke	1	32	3253-21	Washer - Lock	3
7	2115-95	Kit - Universal Joint	2	33	3231-30	Bolt - Carriage	1
8	71-0500	Yoke - Engine End	1	34	3217-7	Nut - Hex.	1
9	48-9570	Washer - Lock	8	35	29-6163	Switch - Neutral	1
10	48-7710	Screw - Cap Hex. Hd.	8	36	3234-13	Screw - Hex. Flange Hd.	4
11	3274-50	Screw - Hex. Socket Hd.	2	37	3296-9	Nut - Lock	2
12	325-7	Screw - Cap Hex. Hd.	2	38	29-6170	Leaf Spring Assembly	1
13	3253-7	Washer - Lock	2	39	322-17	Screw - Cap Hex. Hd.	1
14	3217-9	Nut - Hex.	2	40	3210-7	Screw - Cap Hex. Hd.	1
15	237-81	Seal - O-Ring	1	41	251-259	Bearing - Neutral Detent	1
16	340-131	Fitting - Hydraulic Elbow (Incl. Ref. #15 & 17)	1	42	321-4	Screw - Cap Hex. Hd.	2
17	237-30	Seal - O-Ring	2	43	29-6150	Spring - Leaf	1
18	69-5460	Hose - Hydraulic	1	44	32153-3	Nut - Lock	1
19	237-146	Seal - O-Ring	3	45	69-9050	Bar - Neutral Device	1
20	340-15	Fitting - Hydraulic Elbow (Incl. Ref. #19 & 21)	3	46	3253-3	Washer - Lock	2
21	237-58	Seal - O-Ring	3	47	321-10	Screw - Cap Hex. Hd.	2
22	69-5650	Hose - Hydraulic	1	48	340-134	Fitting - Hydraulic Elbow (Incl. Ref. #23)	1
23	237-42	Seal - O-Ring	1	49	41-8760	Gasket - Pump	1
24	72-3790	Wire - Neutral Switch	1	50	69-5663	Hose - Hydraulic	1
26	69-9020	Nut - Special	1	51	323-7	Screw - Cap Hex. Hd	2
				52	69-2220	Pump/Valve	1



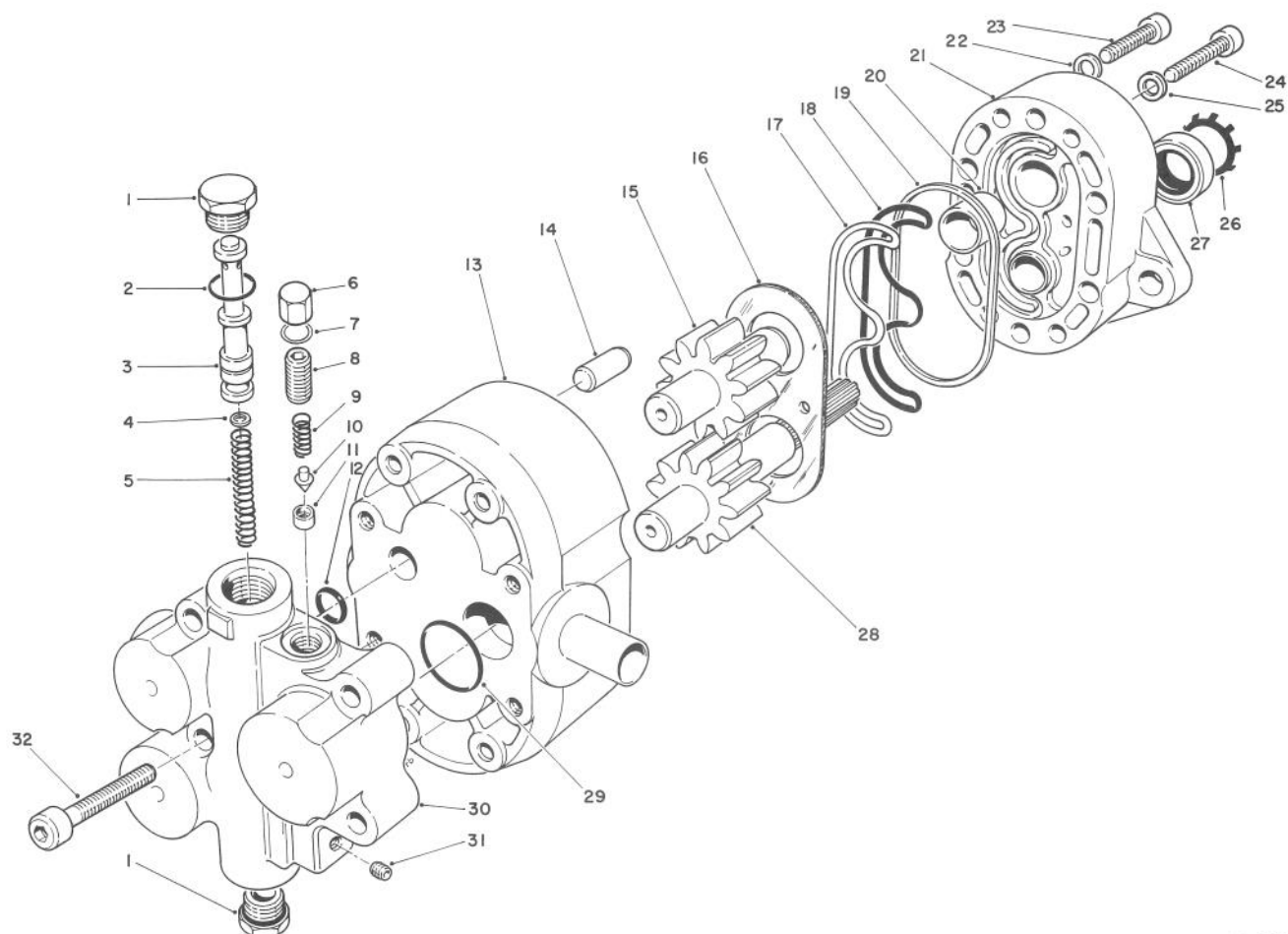
T-0350-90

## VARIABLE DISPLACEMENT PUMP INSTALLATION (Cont.)

Ref. No.	Part No.	Description	No. Used
53	327-80	Seal - O-Ring	2
54	340-130	Fitting - Hydraulic Elbow (Incl. Ref. #25 & 53)	1
55	340-105	Fitting - Hydraulic Elbow (Incl. Ref. #17 & 53)	1
56	69-5450	Hose - Hydraulic	1

Ref. No.	Part No.	Description	No. Used
57	69-5470	Hose - Hydraulic	1
58	69-5440	Hose - Hydraulic	1
59	69-5480	Hose - Hydraulic	1
60	51-3150	Shim - Spring	A/R
*	71-0490	Pump Drive Shaft Assembly (Incl. Ref. #3-8)	1

\*Not Illustrated

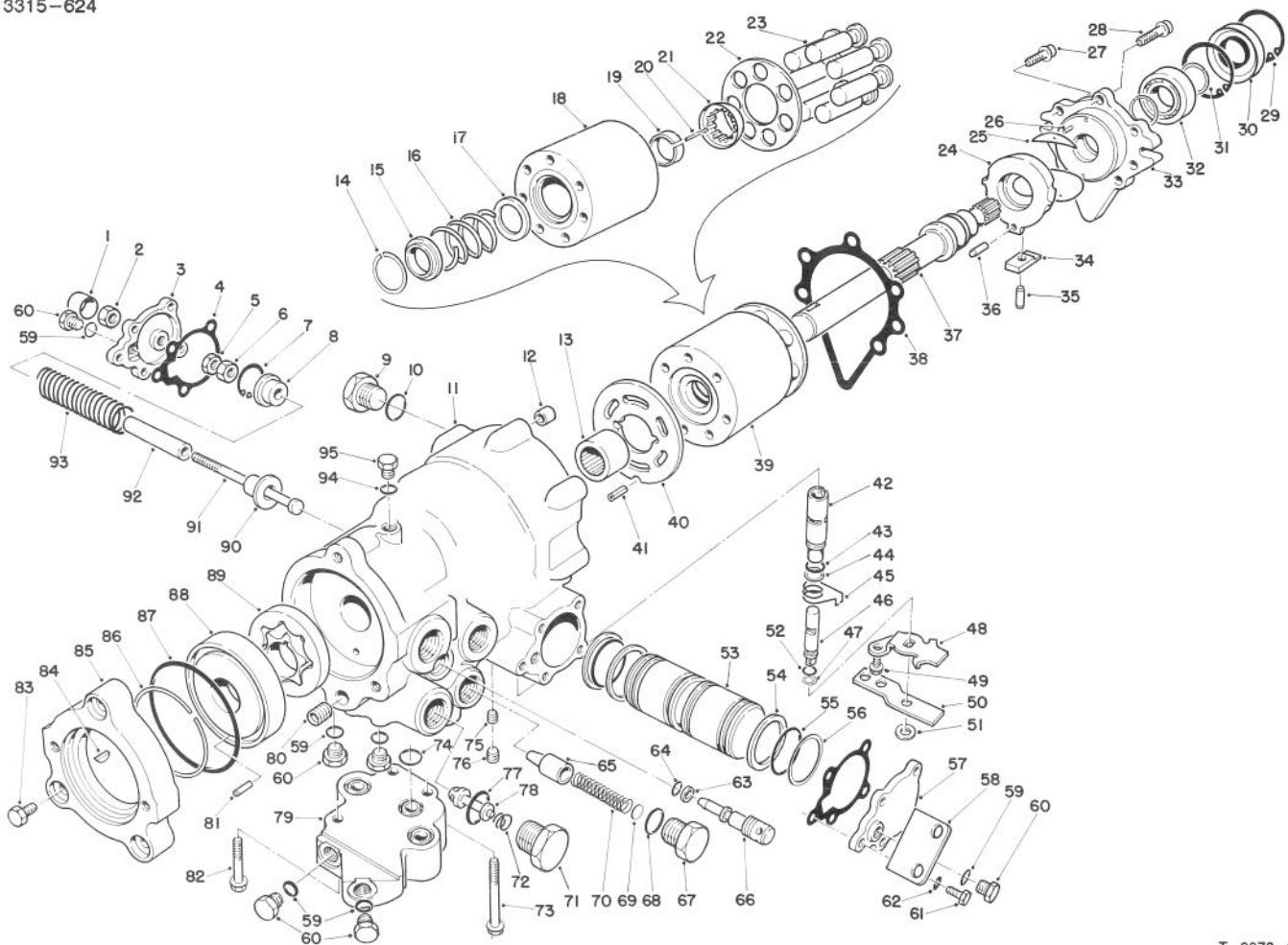


T-0374-90

## GEAR PUMP & FLOW DIVIDER NO. 69-2220

Ref. No.	Part No.	Description	No. Used	Ref. No.	Part No.	Description	No. Used
1	69-2410	Plug (Incl. Ref. #2)	2	20	69-2250	Bearing - Sleeve	4
2	69-2420	Seal - O-Ring	2	21	69-2330	Body Assembly (Incl. Ref. #20)	1
3	69-2450	Piston	1	22	69-2370	Washer	4
4	69-2440	Orifice	1	23	69-2360	Screw	4
5	69-2430	Spring - Compression	1	24	69-2380	Screw	4
6	69-2460	Cap	1	25	69-2390	Washer	4
7	69-2470	Gasket - Cap	1	26	69-2300	Ring - Retaining	1
8	69-2480	Screw - Set	1	27	69-2310	Seal - Shaft	1
9	69-2490	Spring - Compression	1	28	69-2290	Shaft/Gear - Drive	1
10	69-2500	Poppet	1	29	69-2400	Seal - O-Ring	1
11	69-2510	Seat	1	30	69-2230	Flow Divider Assembly (Incl. Ref. #1-11 & 31)	1
12	69-2530	Seal - O-Ring	1	31	69-2520	Plug - Pipe	1
13	69-2540	Cover Assembly (Incl. Ref. #20)	1	32	69-2240	Screw	4
14	69-2340	Pin - Dowel	2	*	69-2550	Repair Kit - Pump (Incl. Ref. #16-19, 22 & 25-27)	1
15	69-2280	Shaft/Gear - Idler	1	*	69-2560	Repair Kit - Pump & Divider Incl. Ref. #2, 7, 9-10, 12, 16-19, 22, 25-27 & 29)	1
16	69-2320	Plate - Wear	1				
17	69-2260	Seal - Load	1				
18	69-2270	Seal - Pre-Load	1				
19	69-2350	Ring - Sealing	1				

\*Not Illustrated

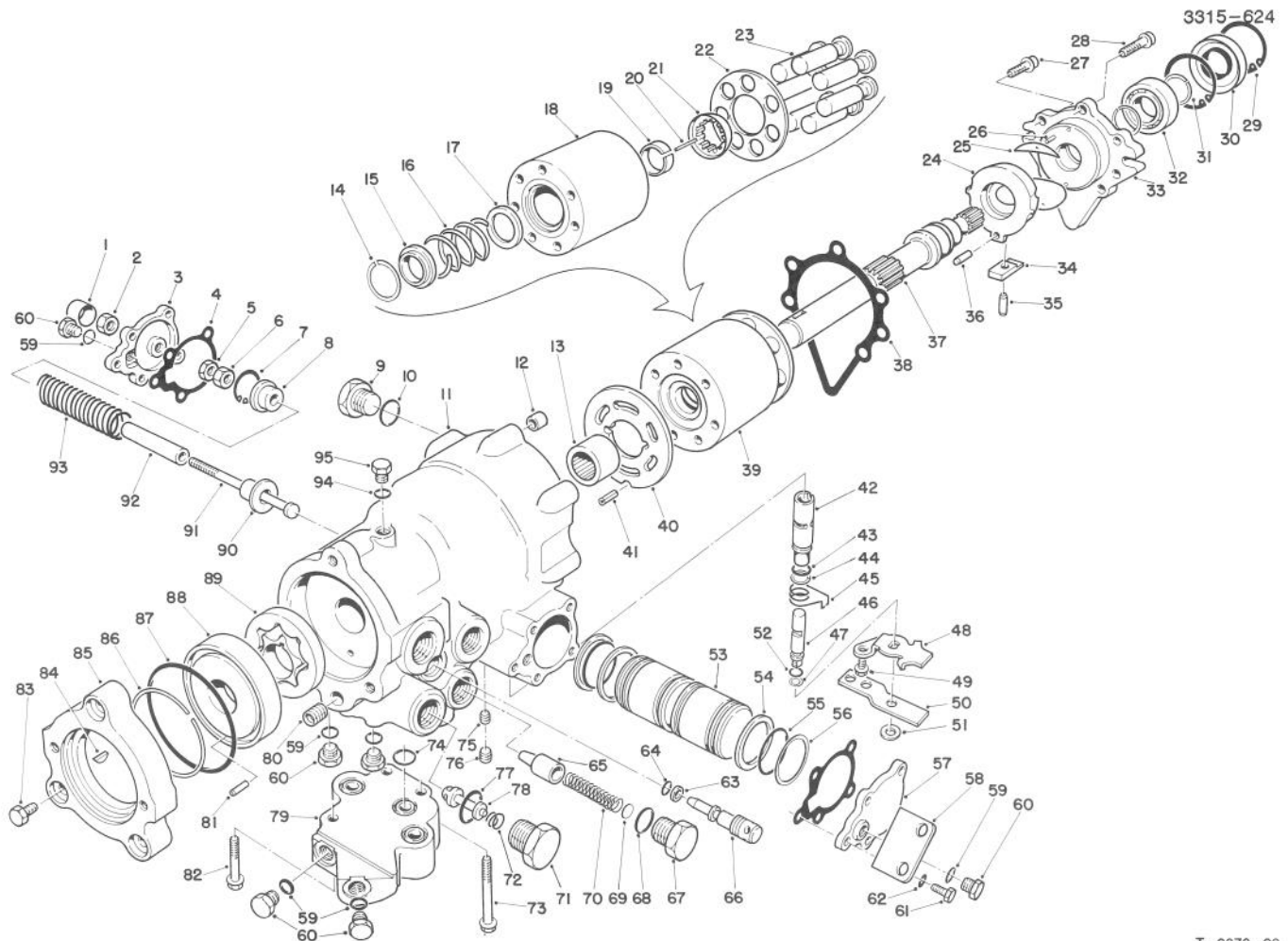


T-0373-90

## VARIABLE DISPLACEMENT PUMP NO. 69-3040

Ref. No.	Part No.	Description	No. Used	Ref. No.	Part No.	Description	No. Used
1	69-3620	Cover - Servo Adjustment	1	28	69-3220	Screw	1
2	69-3630	Nut Special	1	29	69-3200	Ring - Retaining	2
3	69-3640	Cover - Servo	1	30	69-3190	Seal - Lip	1
4	69-3710	Gasket - Servo	2	31	69-3170	Ring - Retaining	2
5	69-3610	Nut - Jam	1	32	69-3210	Bearing - Ball	1
6	69-3600	Nut - Hex.	1	33	76-4610	Cover	1
7	69-3590	Ring - Retaining	1	34	69-3500	Sleeve - Bearing	1
8	69-3580	Guide - Spring	1	35	69-3510	Pin	1
9	69-3130	Plug (Incl. Ref. #10)	1	36	69-3470	Pin	1
†10		Seal - O-Ring	1	37	69-3180	Shaft Pump	1
†11		Housing - Pump	1	38	76-4600	Gasket - Cover	1
12	69-3230	Pin - Spring	1	39	69-3910	Cylinder Block Assembly (Incl. Ref #14-23)	1
13	69-3370	Bearing - Needle	1	40	69-3360	Plate - Valve L.H.	1
†14		Ring - Retaining	1	41	69-3450	Pin	1
†15		Washer	1	42	69-3820	Sleeve - Control Valve	1
†16		Spring - Compression	1	43	28-3590	Seal O-Ring	1
†17		Washer	1	44	28-3580	Ring - Back Up	1
†18		Block - Cylinder	1	45	69-3880	Spring - Neutral Return	1
†19		Retainer	1	46	69-3830	Spool - Rotary Valve	1
†20		Pin - Slipper Hold Down	3	47	25-2630	Ring Back Up	1
†21		Guide - Retainer	1	48	69-3890	Bracket - Neutral Return	1
†22		Guide - Slipper	1	49	69-3860	Screw - Flange Hd.	1
†23		Piston - Assembly	7	50	69-3870	Handle - Control Valve	1
24	69-3250	Swashplate - Variable	1	51	69-3900	Washer	1
25	69-3240	Bearing - Journal	2	52	69-3840	Seal - O-Ring	1
26	69-3520	Pin	2	53	69-3650	Piston - Servo	1
27	76-4590	Screw	6				

†Not serviceable separately.



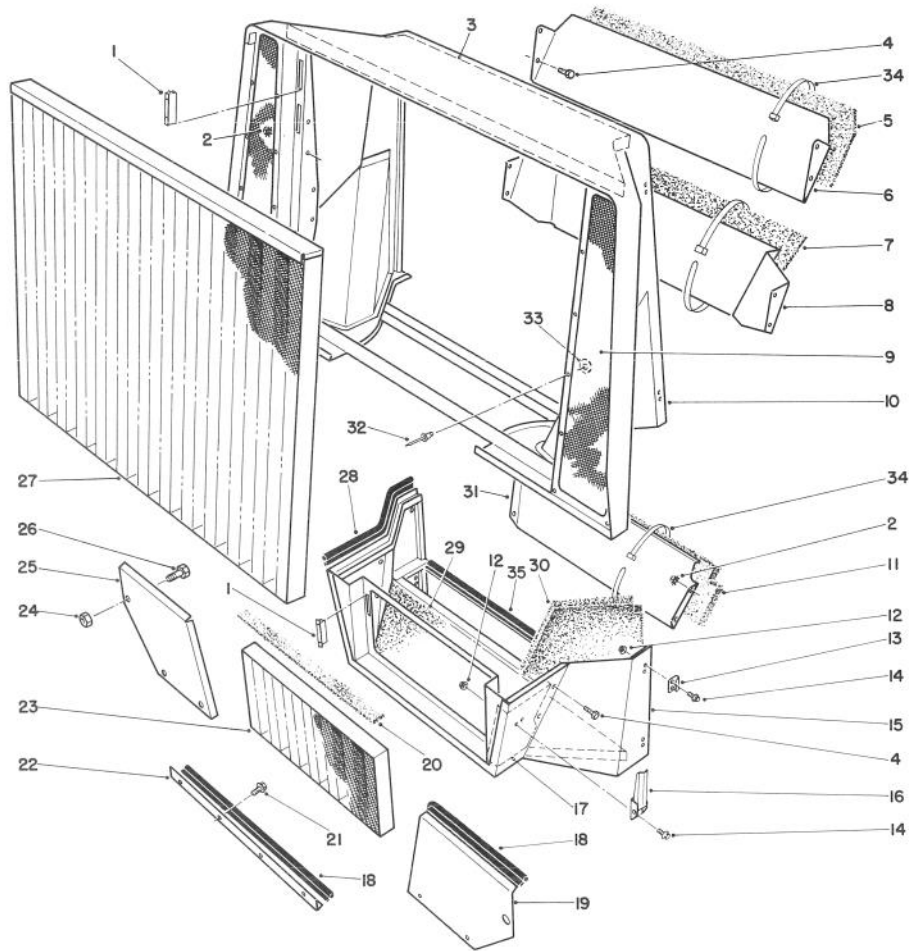
T-0373-90

## VARIABLE DISPLACEMENT PUMP NO. 69-3040 (Cont.)

Ref. No.	Part No.	Description	No. Used
54	69-3690	Bearing	2
55	69-3560	Seal - O-Ring	2
56	69-3570	Ring - Piston	2
57	69-3720	Cover Servo	1
58	69-3140	Bracket - Lifting	1
†59	69-3080	Seal - O-Ring	6
60	69-3080	Plug (Incl. Ref. #59)	6
61	69-3150	Screw - Hex. Hd.	10
62	69-3070	Washer - Lock	10
63	25-2630	Ring - Back Up	1
64	237-22	Seal - O-Ring	1
65	69-3800	Valve	1
66	69-3810	Valve - By Pass	1
67	69-3780	Plug (Incl. Ref. #68)	1
68	237-80	Seal - O-Ring	1
69	69-3770	Shim	1
70	69-3790	Spring Compression	1
71	69-3760	Plug Special (Incl. Ref. #77)	2
72	69-3740	Spring - Compression	2
73	69-3110	Screw	2
74	69-3160	Seal - O-Ring	3
75	69-3530	Plug - Orifice	1

Ref. No.	Part No.	Description	No. Used
76	285-17	Plug - Pipe	2
77	69-3750	Seal - O-Ring	2
78	69-3730	Valve - Relief (Incl. Ref. #71, 72 & 77)	2
79	69-3090	Adapter - Suction	1
80	69-3460	Plug Expansion	1
81	69-3550	Pin	1
82	69-3100	Screw	1
83	69-3400	Screw Hex. Hd.	3
84	69-3430	Key - Woodruff	1
85	69-3410	Adapter - A Flange	1
86	69-3420	Ring - Temper Load	1
87	69-3440	Seal - O-Ring	1
88	69-3540	Cover - Gerotor	1
89	69-3390	Gerotor Assembly	1
90	69-3700	Guide - Spring	1
91	69-3660	Screw - Special	1
92	69-3680	Stop - Servo	1
93	69-3670	Spring - Compression Servo	1
†94	69-3120	Seal O-Ring	1
95	69-3120	Plug (Incl. Ref. #94)	1

†Not serviceable separately.



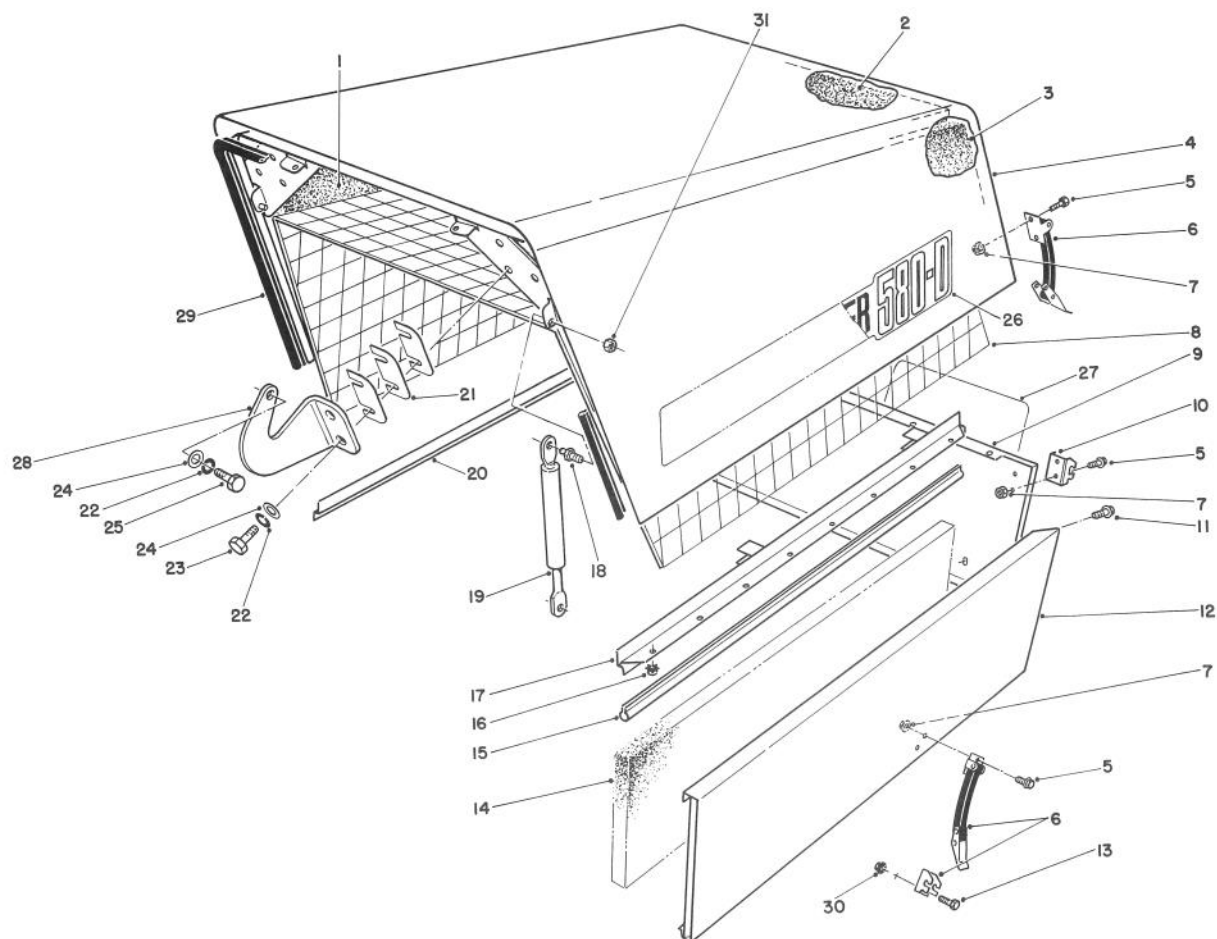
T-0368-90

## COWL ASSEMBLY

Ref. No.	Part No.	Description	No. Used
1	58-4250	Magnet	6
2	32149-2	Nut - Keps	16
3	71-0280	Foam - Cowl Top	1
4	321-2	Screw - Cap Hex. Hd.	16
5	71-0240	Foam - Louver Top	2
6	69-9370	Louver - Top	2
7	71-0230	Foam - Louver Middle	1
8	69-1130	Louver - Middle	1
9	69-9650	Screen - Cowl	2
10	69-8650	Cowl - Radiator	1
11	71-0220	Foam - Louver Lower	1
12	3296-2	Nut - Flange Lock	20
13	69-3030	Strike - Latch	8
14	3290-321	Screw - Hex. Washer Hd.	20
15	69-8690	Support - Grille	1
16	69-3020	Handle - Latch	2
17	71-0300	Foam - Low Front Cowl L.H.	1
*	71-0310	Foam - Low Front Cowl R.H.	1
18	69-9721	Strip - Sealing	3

Ref. No.	Part No.	Description	No. Used
19	75-9460	Bracket - Sealing L.H.	1
20	69-0040	Foam - Lower Grille	1
21	32144-11	Screw - Hex. Flange Hd.	8
22	75-9480	Bracket - Sealing Bottom	1
23	69-7150	Grille - Lower	1
24	32153-6	Nut Lock	2
25	75-9470	Bracket - Sealing R.H.	1
26	328-11	Screw - Cap Hex. Hd.	2
27	69-7120	Grille - Upper	1
28	69-9720	Strip - Sealing	2
29	71-0290	Foam - Cowl Bottom	1
30	71-0330	Foam - Low Rear Cowl L.H.	1
*	71-0320	Foam - Low Rear Cowl R.H.	1
31	69-1140	Louver - Lower	1
32	3269-15	Rivet - Pop	22
33	3269-6	Washer - Backup	22
34	250-5	Tie - Cable	16
35	69-9722	Trim - Sealing	1

\*Not Illustrated



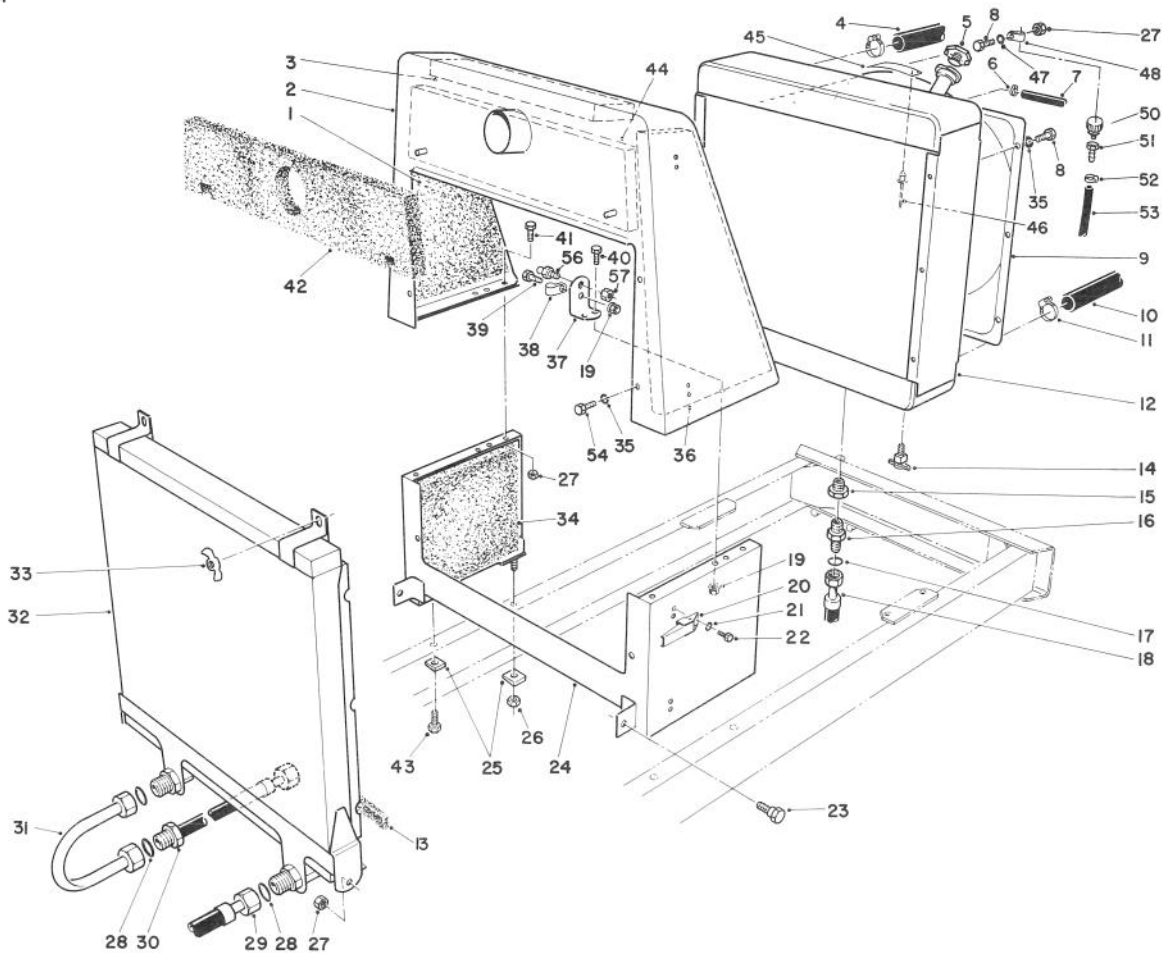
T-0360-90

## HOOD ASSEMBLY

Ref. No.	Part No.	Description	No. Used	Ref. No.	Part No.	Description	No. Used
1	71-0270	Foam - Hood Side R.H.	1	15	69-9723	Seal - Hood Bottom	2
2	71-0250	Foam - Hood Top	1	16	32149-2	Nut - Keps	16
3	71-0260	Foam - Hood Side L.H.	1	17	69-8230	Bracket - Trim L.H.	1
4	92-1772	Hood Assembly (Incl. Ref.#1-4, 8, 15-17, 20, 26 & 29)	1	18	88-6770	Stud - Ball	2
5	3290-321	Screw - Cap Hex. Hd.	12	19	88-6760	Spring - Gas	2
6	69-3010	Strap - Hold Down (Incl. Ref. #10)	4	20	69-8250	Bracket - Trim R.H.	1
7	3296-2	Nut - Flange Lock	12	21	69-8500	Shim - Hinge Bracket	6
8	71-0060	Support - Foam	1	22	3253-21	Washer - Lock	6
9	69-9520	Panel - Rear	1	23	323-6	Screw - Cap Hex. Hd.	4
†10		Latch - Hold - Down	4	24	3256-24	Washer - Flat	6
11	3234-14	Screw - Cap Hex. Hd.	6	25	323-4	Screw - Cap Hex. Hd.	2
12	69-1390	Panel - Side L.H.	1	26	69-0950	Decal - 580D	2
*	69-1380	Panel - Side R.H.	1	27	66-6140	Decal - TORO	1
13	3290-134	Screw - Cap Hex. Hd.	4	28	69-8520	Bracket - Hinge	2
14	71-0400	Foam - Side Panel	2	29	69-9724	Seal - Hood Front	1
				30	32149-7	Nut	4
				31	32152-1	Nut	2

\*Not illustrated

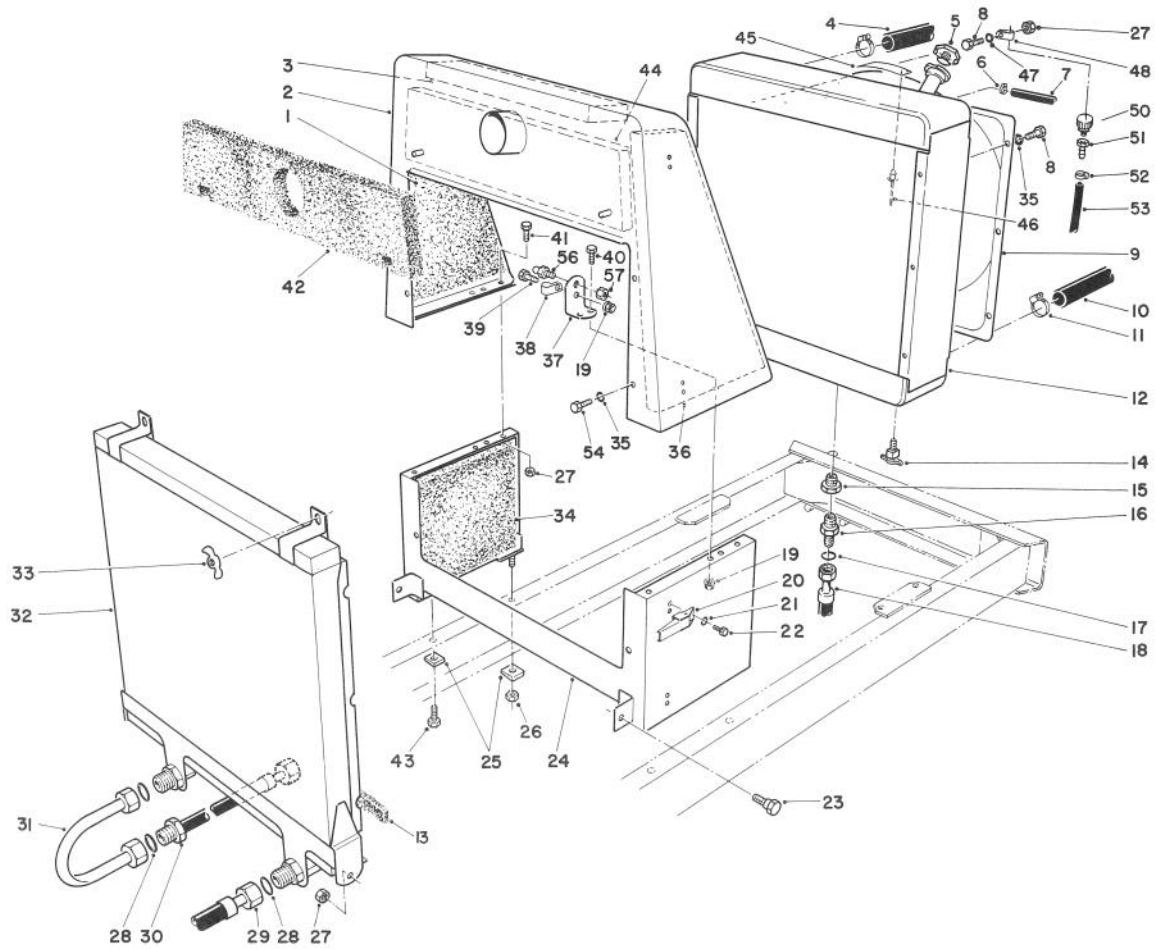
†Not serviceable separately.



T-0359A

## RADIATOR & OIL COOLER ASSEMBLY

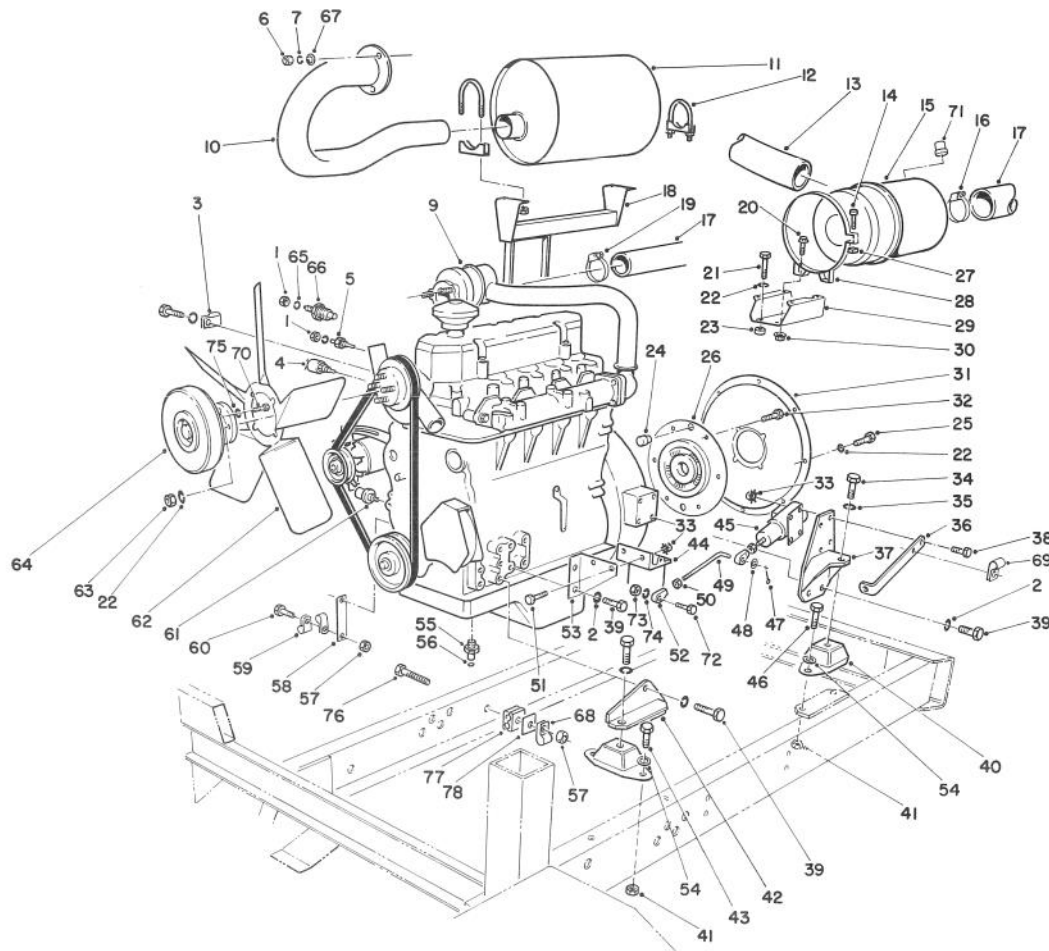
Ref. No.	Part No.	Description	No. Used	Ref. No.	Part No.	Description	No. Used
1	71-0350	Foam - Rad. Support R.H.	1	25	3290-216	Washer - Bevel	4
2	69-8590	Support - Radiator Upper	1	26	32153-5	Nut - Lock	2
3	71-0360	Foam - Rad. Support Top	1	27	32152-2	Nut - Lock	7
4	69-5380	Hose - Upper Radiator	1	28	340-65	Seal - O-Ring	3
5	66-3241	Cap - Radiator	1	29	69-5620	Hose - Hydraulic	1
6	2412-6	Clamp - Hose	1	30	69-8450	Hose - Hydraulic (Incl. Ref. #28)	1
7	23-2140	Hose - Radiator Vent	1	31	69-5900	Tube - Hydraulic	1
8	323-34	Screw - Cap Hex. Hd.	7	32	69-1670	Cooler - Oil (Incl. Ref. #28)	1
9	13-4239	Shroud - Fan (Incl. Ref. #45 & 46)	1	33	32103-3	Nut - Wing	2
10	69-5390	Hose - Lower Radiator	1	34	71-0370	Foam - Lower Rad. Support	2
11	2412-92	Clamp - Hose	4	35	3253-21	Washer - Lock	12
12	69-1640	Radiator	1	36	71-0340	Foam - Rad. Support L.H.	1
13	71-0210	Foam - Radiator Seal	1	37	88-9450	Bracket - Hood Cylinder	2
14	304-46	Valve - Drain	1	38	2412-41	Clamp - R	1
15	2812-4	Fitting - Reducer	2	39	322-5	Screw - Cap Hex. Hd.	1
16	340-124	Fitting - Hydraulic Straight (Incl. Ref. #17)	2	40	322-6	Screw - Cap Hex. Hd.	4
17	237-22	Seal - O-Ring	2	41	323-7	Screw - Cap Hex. Hd.	4
18	69-8430	Hose - Hydraulic	2	42	71-0380	Foam - Rad. Support Front	1
19	32128-20	Nut - Flange Lock	5	43	325-6	Screw - Cap Hex. Hd.	2
20	69-3020	Latch	8	44	71-0390	Foam - Rad. Support Rear	1
21	3253-2	Washer - Lock	16	45	76-8750	Plate - Caution	2
22	3290-321	Screw - Cap Hex. Hd.	16	46	3290-271	Rivet - Pop	4
23	46-3380	Bolt - Shoulder	2	47	3256-56	Washer - Flat	2
24	69-7100	Support - Radiator Lower	1	48	2412-147	Clamp - R	1
				50	68-6150	Breather	1



T-0359A

## RADIATOR & OIL COOLER ASSEMBLY (Continued)

Ref. No.	Part No.	Description	No. Used	Ref. No.	Part No.	Description	No. Used
51	354-95	Fitting	1	54	32144-69	Screw - Cap, Hex. Hd.	6
52	2412-108	Clamp - Hose	2	56	88-6770	Stud - Ball	2
53	71-2680	Hose - Vent	1	57	32152-1	Nut - Lock	2

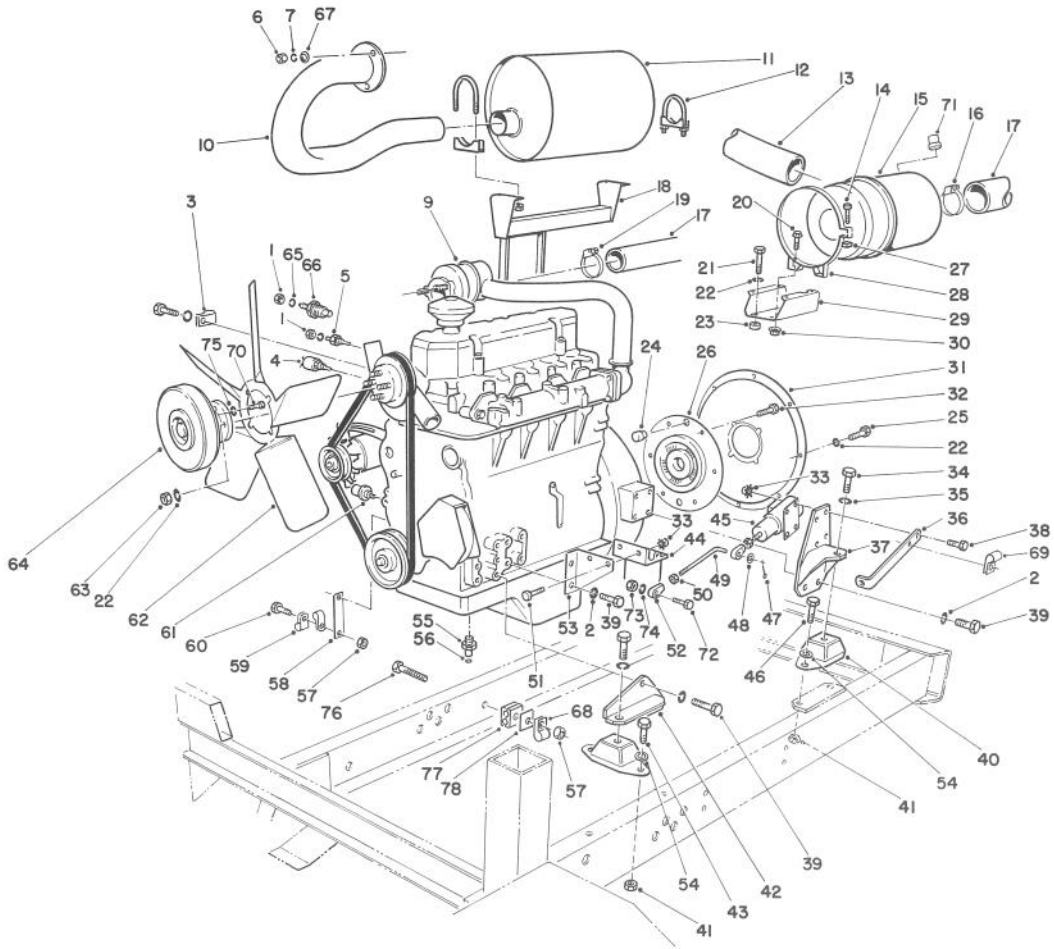


T-0347-90

## ENGINE INSTALLATION ASSEMBLY

Ref. No.	Part No.	Description	No. Used	Ref. No.	Part No.	Description	No. Used
1	3219-14	Nut - Hex.	2	29	69-9530	Bracket - Air Cleaner	1
2	48-8070	Washer - Lock	16	30	32128-20	Nut - Flange Lock	4
3	2412-70	Clamp - R	1	31	69-9550	Plate - Adapter	1
4	67-4510	Sending Unit - Temperature	1	32	48-7780	Screw - Cap Hex. Hd.	6
5	39-7592	Switch - Temperature	1	33	32149-2	Nut - Keps	5
6	48-7930	Nut - Lock	3	34	69-8410	Screw - Cap Hex. Hd.	4
7	48-9570	Washer - Lock	3	35	69-8420	Washer - Lock	4
9	69-6250	Engine - Assembly	1	36	69-8490	Bracket - Throttle Cable	1
10	76-0980	Pipe - Exhaust	1	37	85-6210	Bracket - Rear Eng. Mount	2
11	69-9420	Muffler	1	38	321-6	Screw - Cap Hex. Hd.	3
12	20-4840	Clamp - Exhaust	2	39	69-0060	Screw - Cap Hex. Hd.	16
13	69-5350	Hose - Air Cleaner Inlet	1	40	69-1660	Mount - Engine	4
14	3258-19	Screw - Machine	2	41	32153-5	Nut - Lock	8
15	69-1890	Air Cleaner Assembly	1	42	69-7580	Bracket - Front Engine Mount L.H.	1
16	2412-110	Clamp - Hose	3	*	69-7570	Bracket - Front Engine Mount R. H.	1
17	69-5360	Hose - Air Cleaner	1	43	325-17	Screw - Cap Hex. Hd.	4
18	69-7610	Bracket - Muffler	1	44	69-1750	Fuel Filter Assembly	1
19	2412-42	Clamp - Hose	1	45	85-6230	Solenoid - Engine Run	1
20	3234-14	Screw - Hex. Washer Hd.	4	46	325-4	Screw - Cap Hex. Hd.	4
21	48-9480	Screw - Cap Hex. Hd.	4	47	3272-6	Pin - Cotter	1
22	48-9590	Washer - Lock	16	48	3256-1	Washer - Flat	1
23	17-7190	Spacer	4	49	69-9110	Rod - Engine Run Solenoid	1
24	58-3590	Pin - Flywheel	2	50	3220-1	Nut - Jam	2
25	48-9470	Screw - Cap Hex. Hd.	8	51	321-4	Screw - Cap Hex. Hd.	2
26	48-6260	Coupling - Spring Centering	1				
27	32107-11	Nut - Square	2				
28	69-1950	Band - Air Cleaner (Incl. Ref. #14 & 27)	2				

\*Not Illustrated



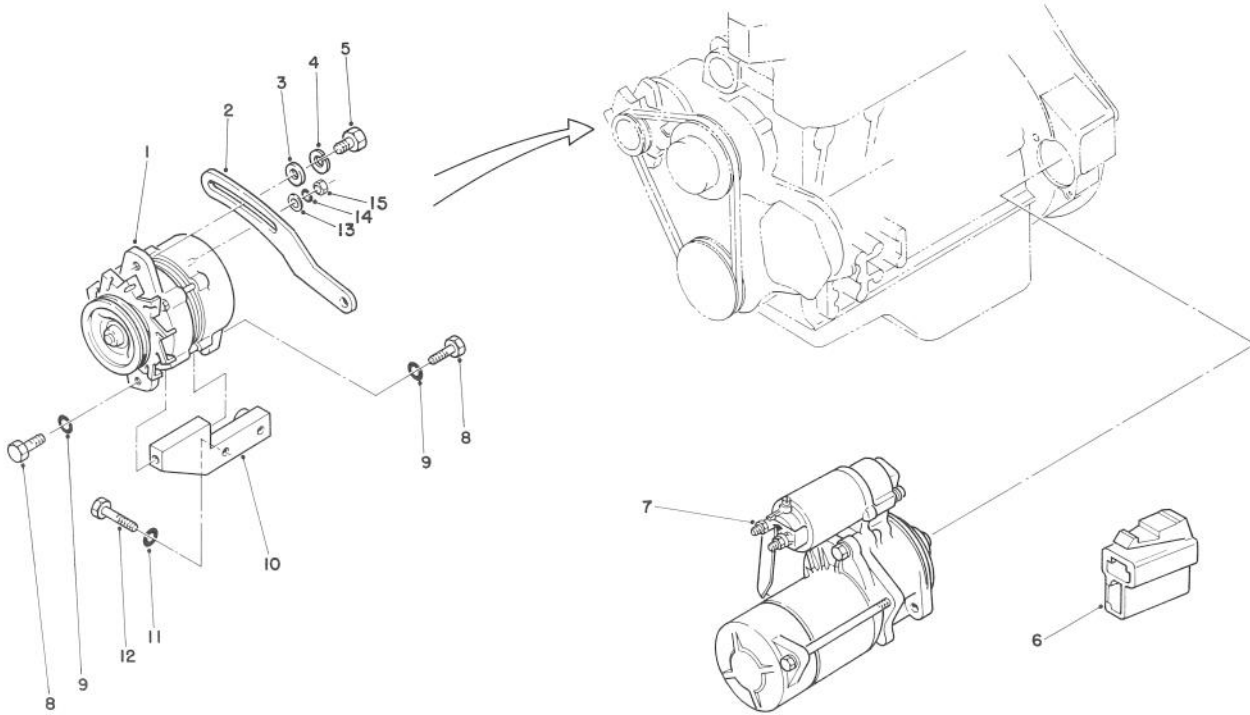
T-0347-90

## ENGINE INSTALLATION ASSEMBLY (Continued)

Ref. No.	Part No.	Description	No. Used
52	2411-41	End - Rod	2
53	69-9360	Bracket - Fuel Filter	1
54	3256-26	Washer - Flat	8
55	69-8460	Fitting - Hydraulic Straight (Incl. Ref. #56)	2
56	237-22	Seal - O-Ring	2
57	32152-1	Nut - Lock	2
58	69-9070	Bracket - Clamp	1
59	2412-41	Clamp - R	2
60	323-6	Screw - Cap Hex. Hd.	1
61	71-4280	Sending Unit - Oil Pressure	1
62	69-1680	Fan	1
63	69-9710	Nut - Lock	4
64	69-1690	Clutch - Fan	1

Ref. No.	Part No.	Description	No. Used
65	3253-2	Washer - Lock	2
66	39-7591	Thermo Switch Assembly	1
67	3256-3	Washer - Flat	3
68	2412-39	Clamp - R	1
69	2412-73	Clamp - R	1
70	323-4	Screw - Cap Hex. Hd.	4
71	69-1940	Indicator - Electrical	1
72	48-7630	Screw	1
73	48-7890	Nut - Hex.	1
74	3253-3	Washer - Lock	1
75	3253-21	Washer - Lock	4
76	322-13	Screw - Cap Hex. Hd.	1
77	56-7974	Clamp Half - Hydraulic Line	2
78	69-9761	Plate - Cover	1

\*Not Illustrated

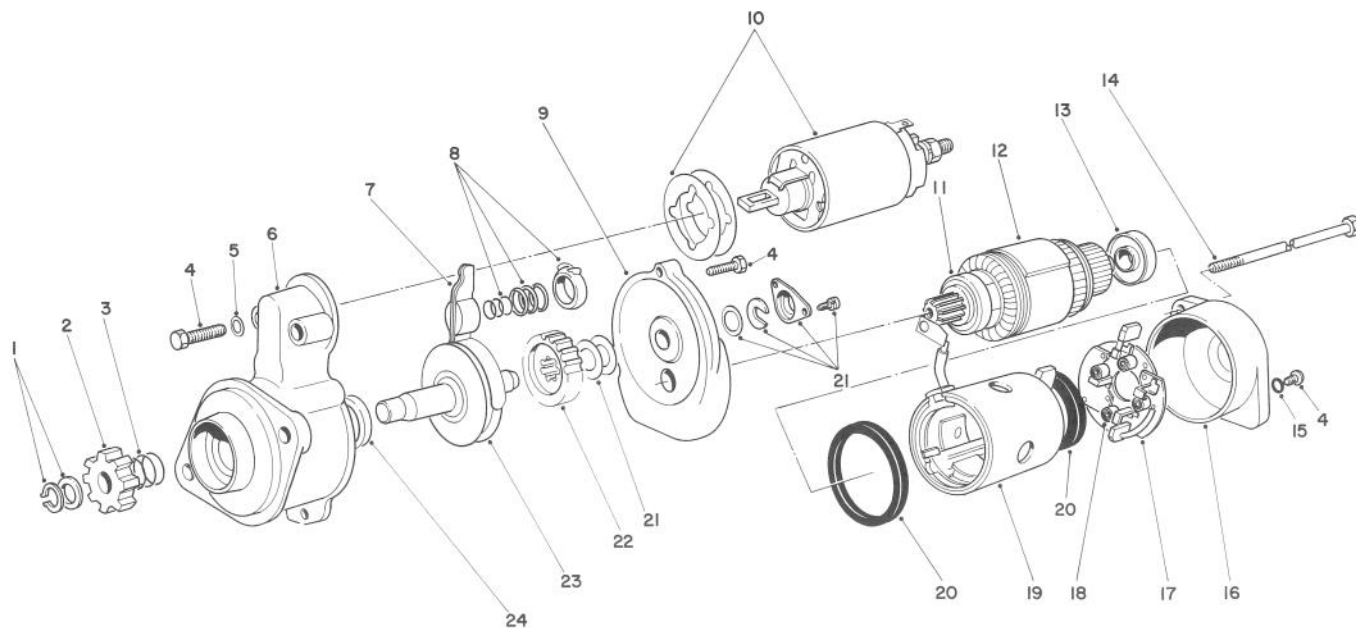


T-0580-90

## STARTER & ALTERNATOR INSTALLATION ASSEMBLY

Ref. No.	Part No.	Description	No. Used
1	70-5760	Alternator Assembly	1
2	70-5740	Plate	1
3	51-8590	Washer	1
4	51-7250	Washer - Lock	1
5	60-7370	Bolt	1
6	59-6910	Connector	1
7	70-5860	Starter Assembly	1
8	51-8640	Bolt	2

Ref. No.	Part No.	Description	No. Used
9	51-6390	Washer - Lock	2
10	70-5750	Bracket	1
11	51-8610	Washer - Lock	2
12	70-2940	Bolt	2
13	5-3637	Washer - Flat	1
14	43-5920	Washer - Lock	1
15	43-5970	Nut - Hex.	1



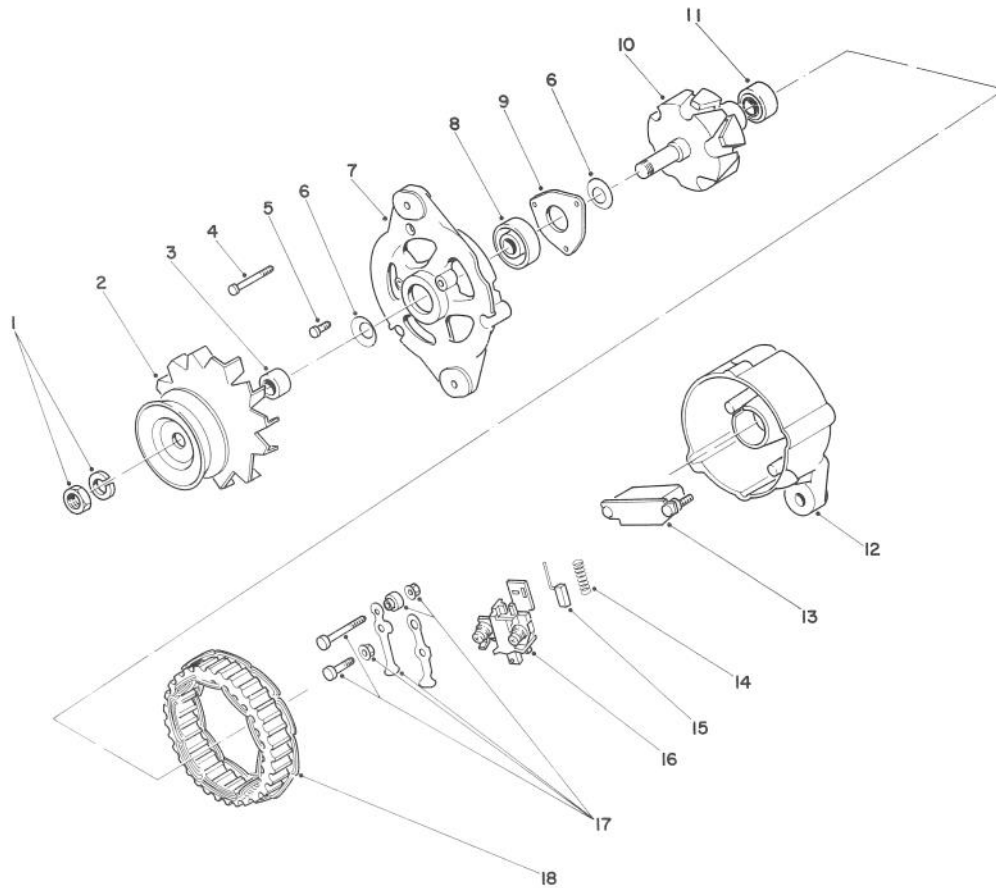
T-0160-90

## STARTER MOTOR ASSEMBLY NO. 70-5860

Ref. No.	Part No.	Description	No. Used	Ref. No.	Part No.	Description	No. Used
1	51-7740	Retaining Ring Assembly	1	14	70-3310	Bolt Set	1
2	51-7730	Gear Pinion Assembly (Incl. Ref. #1 & 3)	1	15	51-7840	Ring - Rubber	2
†3		Spring	1	16	51-7830	Cover - Rear	1
4	51-7600	Screw Set	1	17	70-3290	Brush Holder Assembly (Incl. Ref. #18)	1
5	51-7610	Packing	2	18	70-3270	Spring - Brush	4
6	70-3280	Cover Assembly Front (Incl. Ref. #24)	1	19	70-3300	Yoke Assembly	1
7	51-7640	Lever Assembly	1	20	51-7790	Packing	2
8	51-7650	Spring Assembly	1	21	51-7780	Cover Assembly	1
9	51-7660	Bracket Assembly Center	1	22	51-7770	Gear - Pinion	1
10	51-7670	Solenoid	1	23	51-7760	Shaft Assembly	1
11	51-7690	Bearing	1	24	51-7630	Seal - Oil	1
12	70-3260	Armature Assembly (Incl. Ref. #11 & 13)	1	*	51-7750	Gear Assembly (Incl. Ref. #22 & 23)	1
13	70-3330	Bearing	1	*	51-7720	Clutch Assy. (Incl. Ref. #1-3 & 21-24)	1

\*Not Illustrated

†Not Serviceable Separately

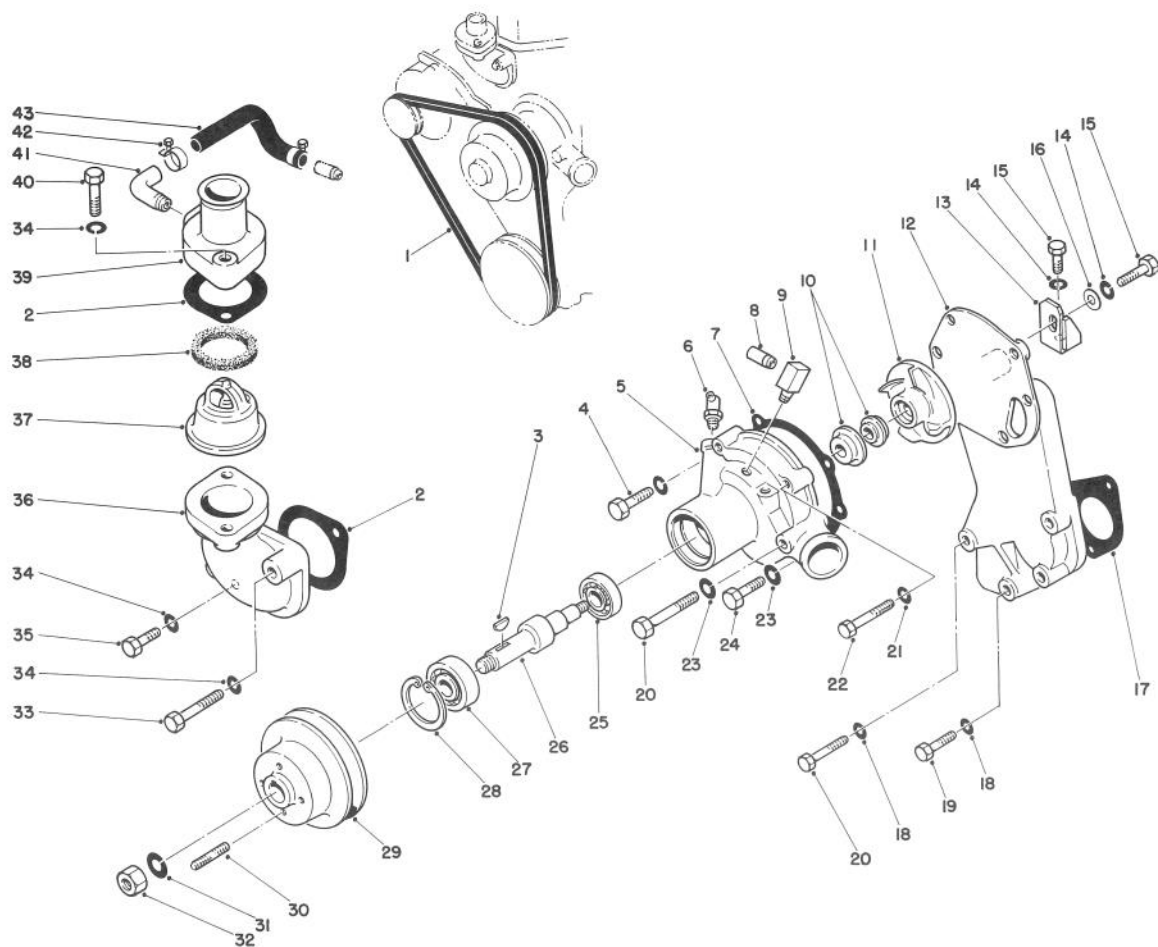


T-0161-90

## ALTERNATOR ASSEMBLY NO. 70-5760

Ref. No.	Part No.	Description	No. Used	Ref. No.	Part No.	Description	No. Used
1	51-7850	Nut Assembly	1	10	51-7910	Rotor Assembly (Incl. Ref. #11)	1
2	70-2800	Pulley Assembly (Incl. Ref. #3)	1	11	60-5360	Bearing	1
†3		Collar - Shaft	1	12	60-5380	Cover Assembly - Rear (Incl. Ref. #13-17)	1
4	51-7870	Screw Set	1	13	60-5370	Rectifier Assembly	1
5	51-7890	Screw Set	1	14	70-2810	Spring - Return	2
†6		Spring Washer	2	15	51-7970	Brush	2
7	60-5340	Cover Assembly - Front (Incl. Ref. #5, 6, 8 & 9)	1	16	51-7960	Regulator Assembly (Incl. Ref. #14 & 15)	1
8	70-3320	Bearing	1	17	51-7950	Terminal Assembly	1
†9		Plate - Bearing Retainer	1	18	51-7930	Stator	1

†Not Serviceable Separately



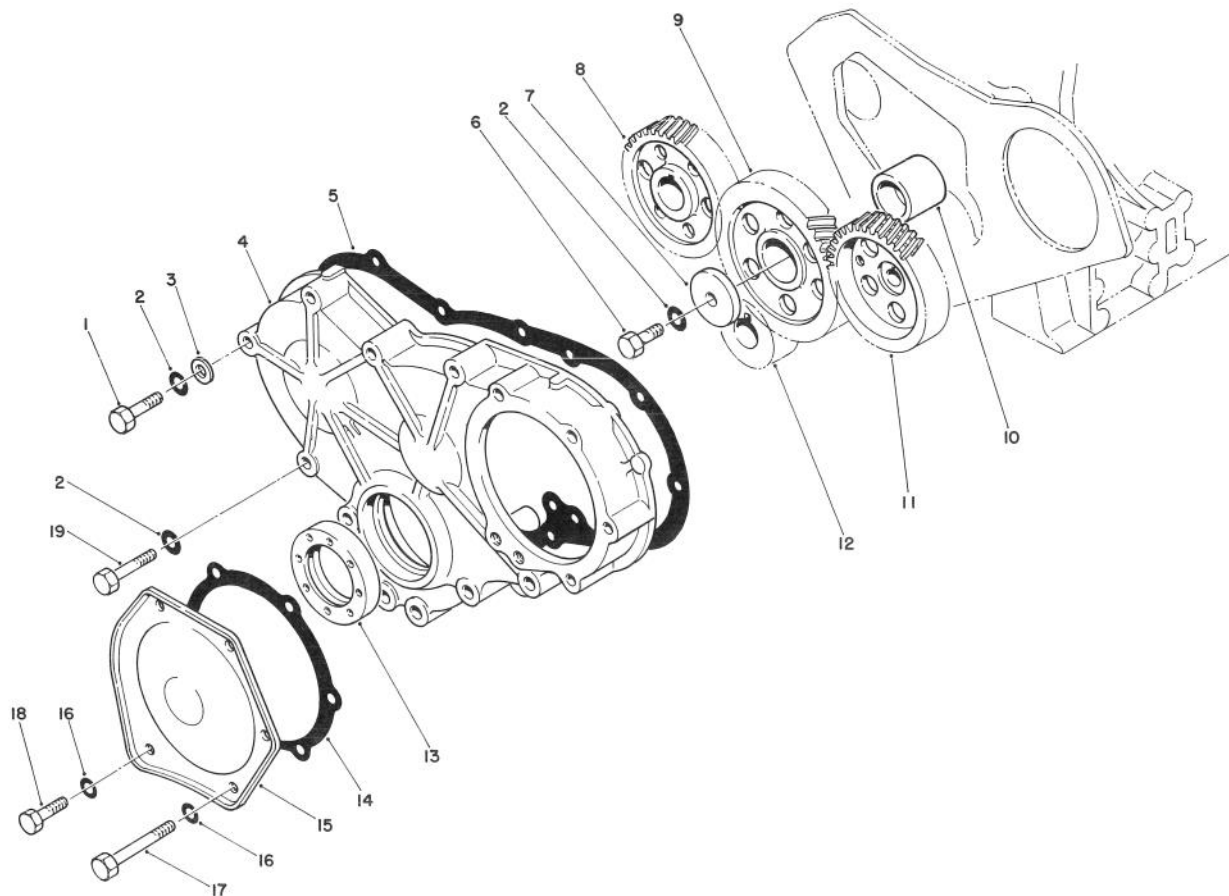
T-0581-90

## WATER PUMP ASSEMBLY

Ref. No.	Part No.	Description	No. Used
1	70-3450	V-Belt	1
†2	51-7210	Gasket	2
3	51-6960	Key	1
4	70-2910	Bolt	1
5	70-5600	Water Pump Assembly (Incl. Ref #3-4, 6-11 & 25-32)	1
6	51-7020	Nipple	1
7	70-5650	Gasket	1
8	51-7170	Pipe	1
9	70-5620	Connector	1
10	51-7030	Seal	1
11	70-5610	Impeller	1
12	70-5640	Bracket	1
13	70-5670	Stay	1
14	51-6390	Washer - Lock	2
15	70-2890	Bolt	2
16	70-2990	Washer	1
†17	70-5660	Gasket	1
18	51-6390	Washer - Lock	4
19	70-2900	Bolt	1
20	70-2920	Bolt	3
21	51-6920	Washer - Lock	2

Ref. No.	Part No.	Description	No. Used
22	70-2850	Bolt	2
23	51-6390	Washer - Lock	4
24	51-4910	Bolt	2
25	51-6980	Bearing	1
26	70-5630	Shaft	1
27	51-6950	Bearing	1
28	51-6940	Ring	1
29	70-5680	Pulley	1
30	70-2950	Stud	4
31	51-6920	Washer - Lock	1
32	51-6910	Nut	1
33	70-2860	Bolt	1
34	51-7250	Washer - Lock	4
35	60-7280	Bolt	1
36	70-5690	Elbow	1
37	51-7230	Thermostat	1
†38	51-7220	Gasket	1
39	70-5050	Cover	1
40	60-7040	Bolt	2
41	70-5590	Connector	1
42	51-7200	Clamp	2
43	70-5040	Hose	1

†Included in Gasket Set No. 70-6950



T-0582-90

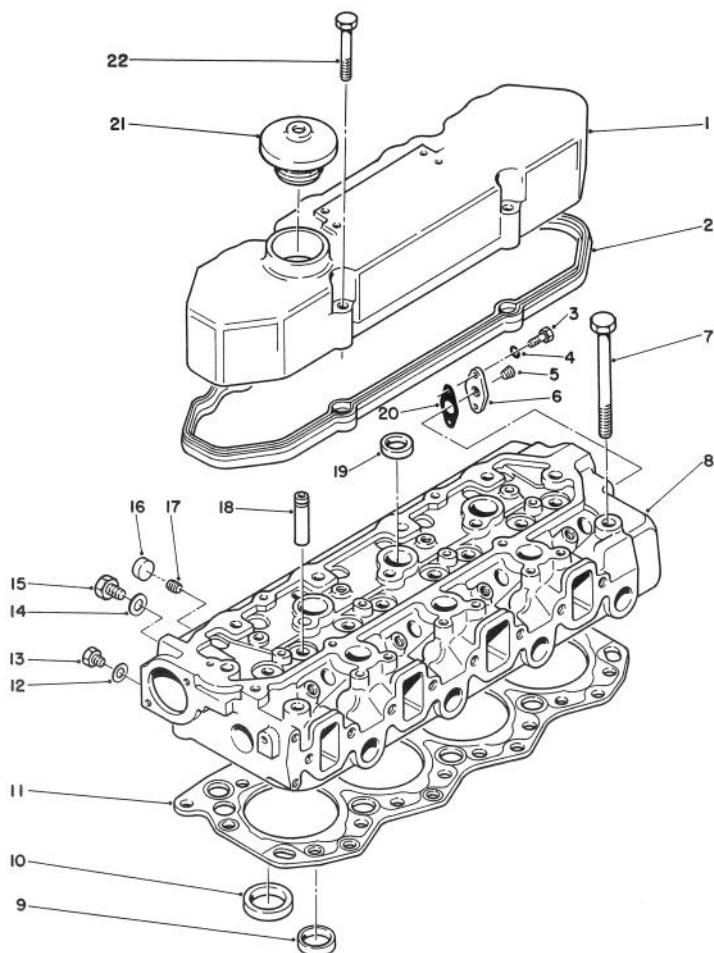
## TIMING GEAR CASE ASSEMBLY

Ref. No.	Part No.	Description	No. Used
1	51-4920	Bolt	1
2	51-6390	Washer - Lock	11
3	70-2990	Washer	1
4	70-5790	Case	1
†5	70-5370	Gasket	1
6	60-7210	Bolt	1
7	51-6400	Plate	1
8	70-5020	Gear - Camshaft	1
9	70-5450	Idler Assembly (Incl. Ref. #10)	1

Ref. No.	Part No.	Description	No. Used
10	51-6430	Bushing	1
11	70-6040	Gear - Injection Pump	1
12	70-5830	Gear - Crankshaft	1
†13	70-5780	Seal	1
†14	51-5860	Gasket	1
15	51-5850	Cover	1
16	51-7250	Washer - Lock	5
17	70-2860	Bolt	4
18	60-7110	Bolt	1
19	70-2930	Bolt	9

†Included in Gasket Set No. 70-6950

‡Included In Oil Seal Kit No. 70-6960

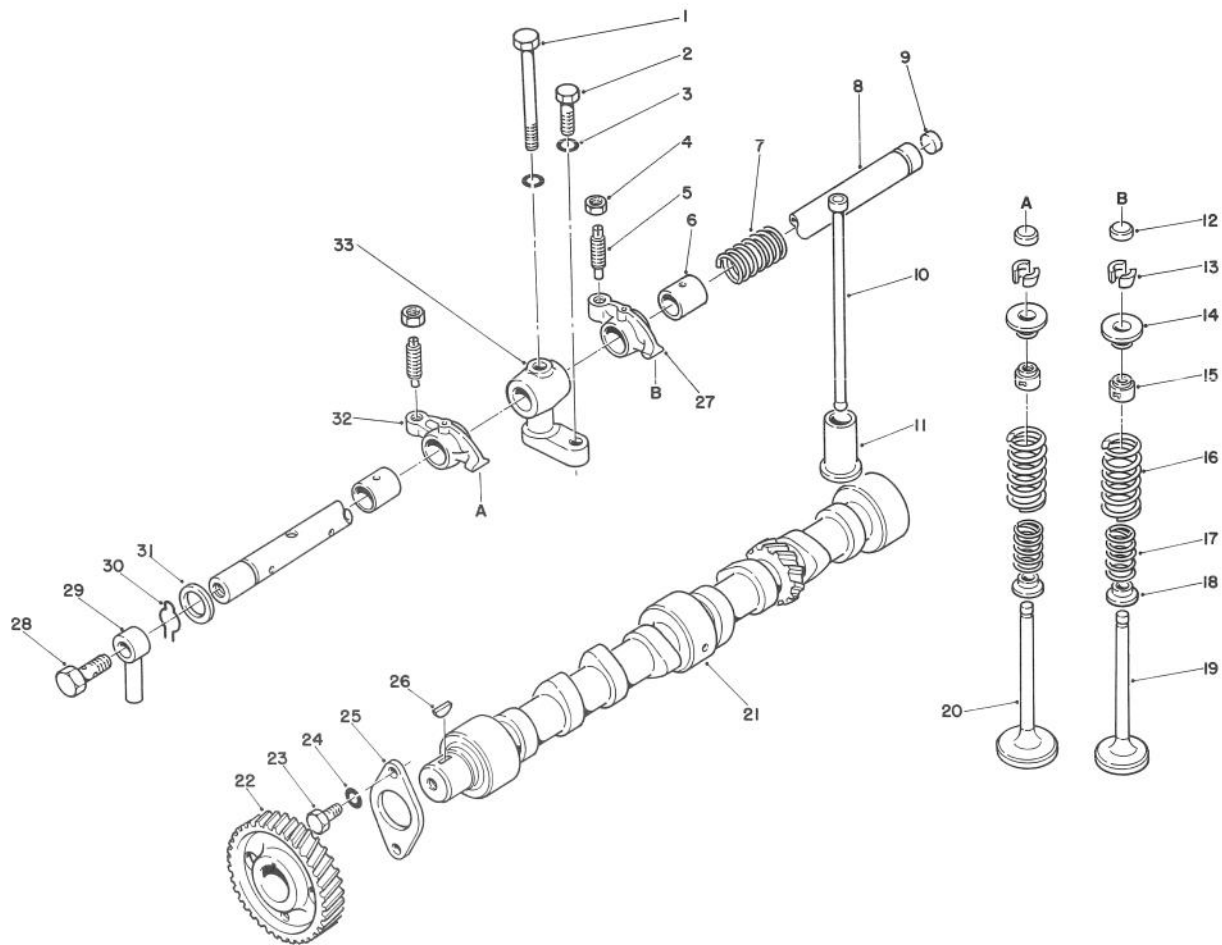


T-0583-90

## ROCKER COVER & CYLINDER HEAD ASSEMBLY

Ref. No.	Part No.	Description	No. Used	Ref. No.	Part No.	Description	No. Used
1	70-5220	Cover	1	†11	70-5130	Gasket	1
†2	70-5210	Gasket	1	†12	51-5840	Washer	1
3	60-7280	Bolt	2	13	70-3100	Plug	1
4	51-7250	Washer - Lock	2	†14	51-6890	Gasket	1
5	70-5140	Plug	1	15	70-3230	Plug	1
6	70-5890	Flange	1	16	70-3360	Cap	4
7	63-4740	Bolt	17	17	70-3390	Plug	4
8	70-5900	Cylinder Head Assembly (Incl. Ref. #3-6, 9-10 & 12-20)	1	18	51-4950	Guide	8
9	70-5870	Insert - Exhaust	4	19	70-3380	Cap	15
10	70-5880	Insert - Inlet	4	20	70-5090	Gasket	1
				21	51-5350	Cap	1
				22	70-2930	Bolt	4

†Included in Gasket Set No. 70-6950



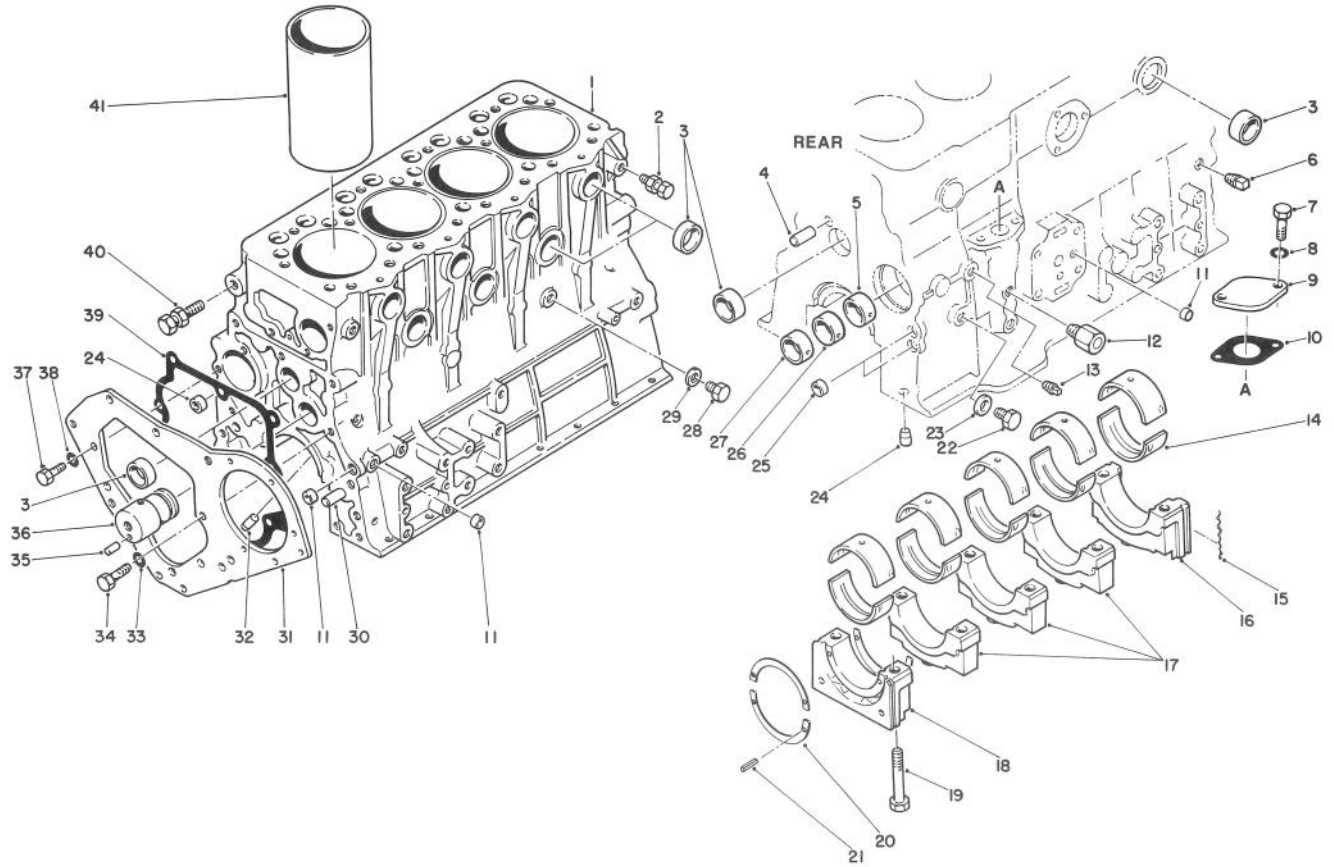
T-0584-90

## VALVE & CAMSHAFT ASSEMBLY

Ref. No.	Part No.	Description	No. Used
1	70-2870	Bolt	4
2	60-7280	Bolt	4
3	51-7250	Washer - Lock	8
4	70-2970	Nut	8
5	70-3160	Screw	8
6	70-5080	Bushing	8
7	70-5190	Spring	3
8	70-5180	Rocker Shaft Assembly (Incl. Ref. #9)	1
9	51-5090	Plug	1
10	70-5230	Rod - Push	8
11	70-5010	Tappet	8
12	51-5280	Cap	8
13	51-5290	Cotter (Available in set w/pair)	16
14	51-5300	Retainer	8
†15	51-5310	Seal	8
16	70-5930	Spring	8
17	70-4990	Spring	8

Ref. No.	Part No.	Description	No. Used
18	70-5000	Retainer	8
19	70-5920	Valve - Exhaust	4
20	70-5910	Valve - Inlet	4
21	70-5940	Camshaft	1
22	70-5020	Gear - Camshaft	1
23	60-7110	Bolt	2
24	51-7250	Washer - Lock	2
25	51-5470	Plate	1
26	51-5460	Key	1
27	70-5160	Rocker Assembly - Exhaust (Incl. Ref. #4-6)	4
28	70-3050	Bolt	1
29	70-5170	Pipe	1
30	51-5260	Ring - Retaining	2
31	70-5110	Washer	2
32	70-5150	Rocker Assembly - Intake (Incl. Ref. #4-6)	4
33	70-5200	Bracket	4

†Included in Oil Seal Kit No. 70-6960



T-0585-90

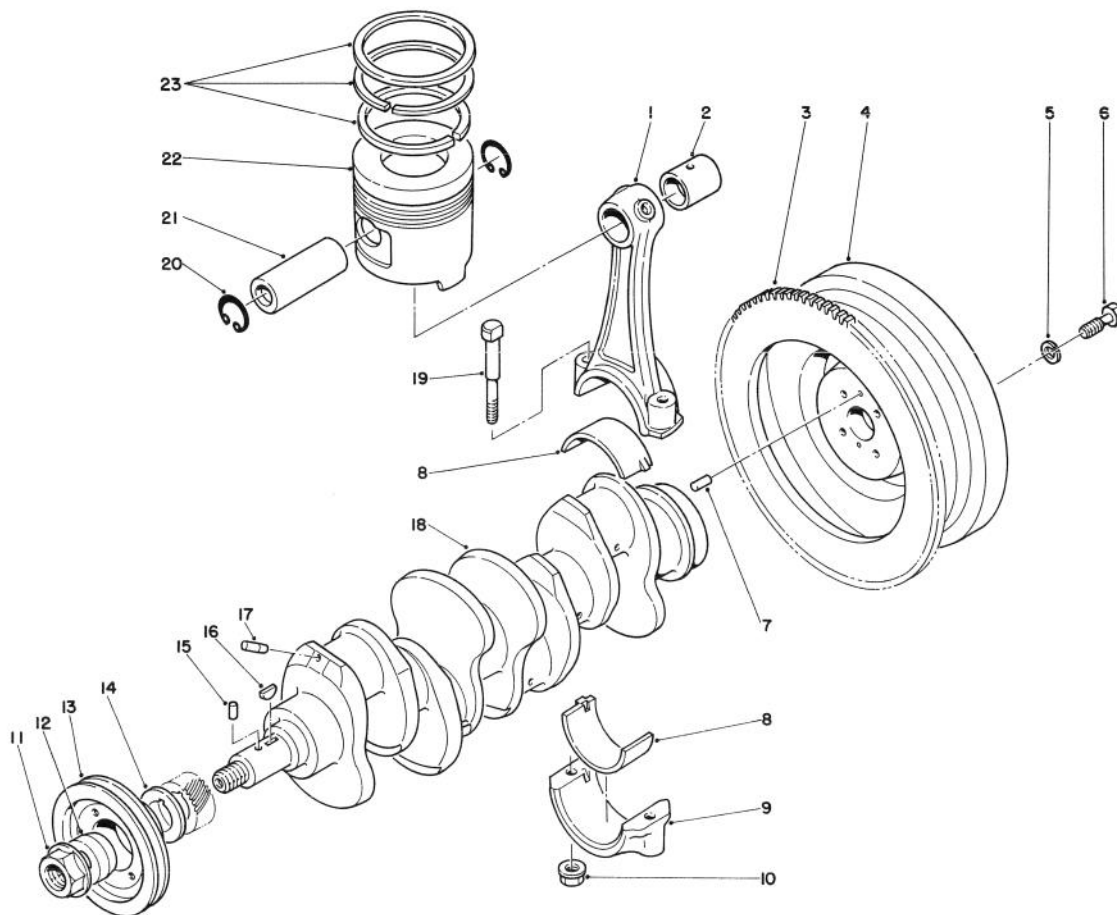
## CRANKCASE ASSEMBLY

Ref. No.	Part No.	Description	No. Used
1	70-5960	Crankcase Assembly (Incl. Ref. #2-6, 11, 13, 15-19, 21-30, 32, 35-36, & 40-41)	1
2	51-5580	Hanger	1
3	51-5600	Cap	11
4	70-3000	Pin	2
5	51-5500	Bushing No. 1	1
6	70-3400	Plug	6
7	60-7280	Bolt	2
8	51-7250	Washer	2
9	51-6480	Cover	1
†10	51-6490	Gasket	1
11	70-3350	Cap	6
12	70-5950	Connector	1
13	70-3410	Plug	1
14	70-5350	Bearing - Main (Std.)	10
‡15	70-5240	Seal	4
16		Cap - Bearing No. 1	1
17		Cap - Bearing No. 2,3, & 4	3
18		Cap - Bearing No. 5	1
19	70-5300	Bolt	10
20	70-5360	Plate - Thrust (Std.)	3

Ref. No.	Part No.	Description	No. Used
21	51-5650	Pin	6
22	70-3120	Plug	1
†23	70-3080	Gasket	1
24		Plug	2
25	70-3370	Cap	3
26	51-5510	Bushing - No. 2	1
27	51-5520	Bushing - No. 3	1
28	51-8280	Bolt	1
†29	51-8270	Washer	1
30	70-5320	Pin	2
31	70-5250	Plate	1
32	70-5340	Valve	4
33	51-6390	Washer	1
34	70-2890	Bolt	1
35	51-5650	Pin	1
36	51-5640	Idler Shaft Assembly (Incl. Ref. #35)	1
37	60-7110	Bolt	1
38	51-7250	Washer	1
†39	70-5260	Gasket	1
40	70-5290	Hanger	1
41	70-5280	Sleeve	4

†Included in Gasket Set No. 70-6950

‡Included In Oil Seal Kit No. 70-6960

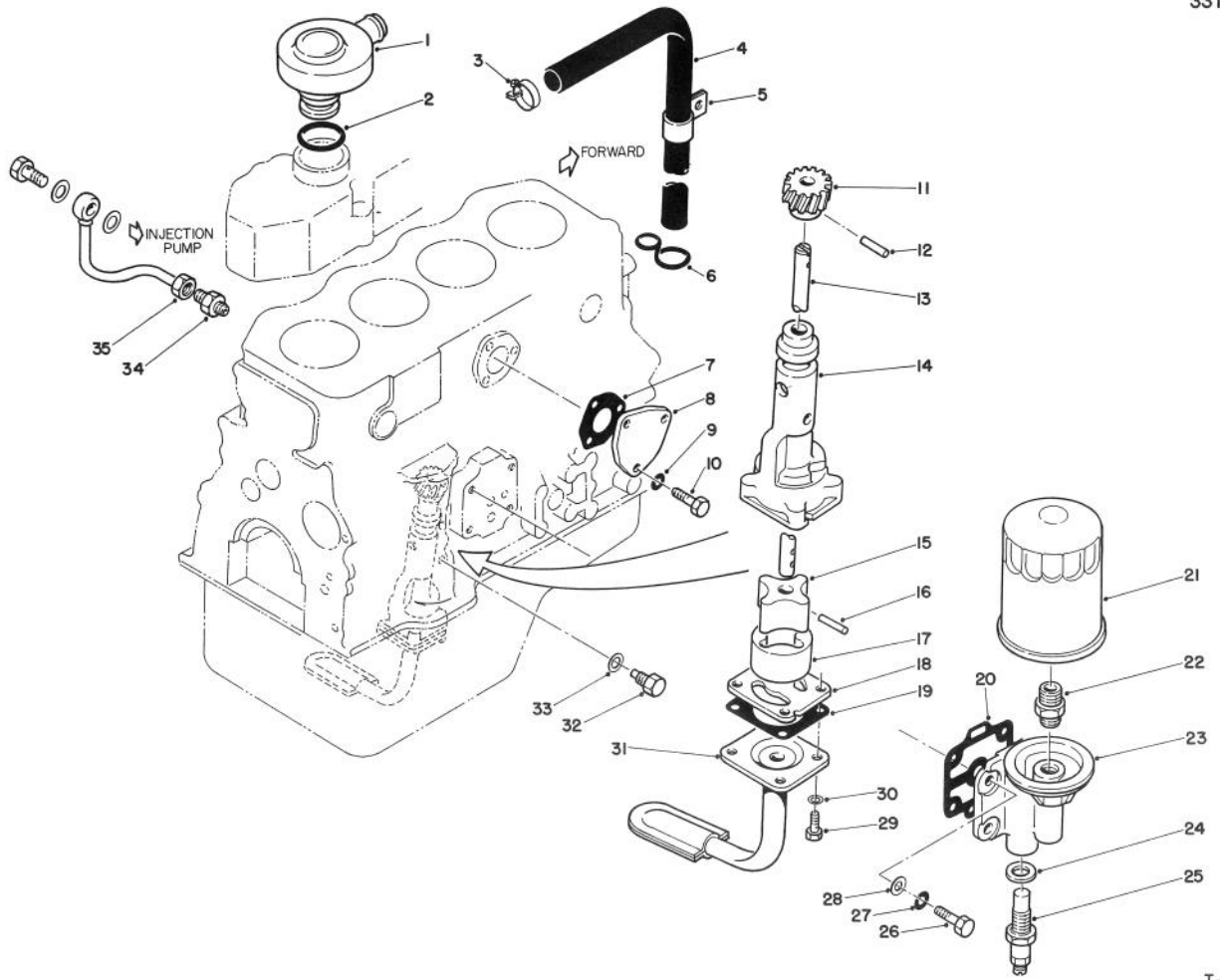


T-0586-90

## PISTON, CONNECTING ROD, CRANKSHAFT & FLYWHEEL

Ref. No.	Part No.	Description	No. Used
1	70-5990	Connecting Rod - Std. (Incl. Ref. #2, 8-10 & 19)	4
2	70-6000	Bushing	4
3	51-6350	Gear	1
4	70-6030	Flywheel Assembly (Incl. Ref. #3)	1
5	51-8610	Washer - Lock	4
6	70-2880	Bolt	4
7	70-5800	Pin	2
8	70-5430	Bearing - Rod (Std.)	8
9		Cap	4
10	70-5420	Nut	8
11	70-3170	Nut	1

Ref. No.	Part No.	Description	No. Used
12	70-5820	Cone	1
13	70-5440	Pulley	1
14	70-5810	Plate	1
15	51-5650	Pin	1
16	51-5460	Key	1
17		Plug	2
18	70-6020	Crankshaft Assembly (Incl. Ref. #7, 11, & 15-17)	1
19	70-6010	Bolt	8
20	70-3020	Ring	8
21	70-5410	Pin	4
22	70-5980	Piston (Std.)	4
23	70-5400	Ring Set - Std.	4



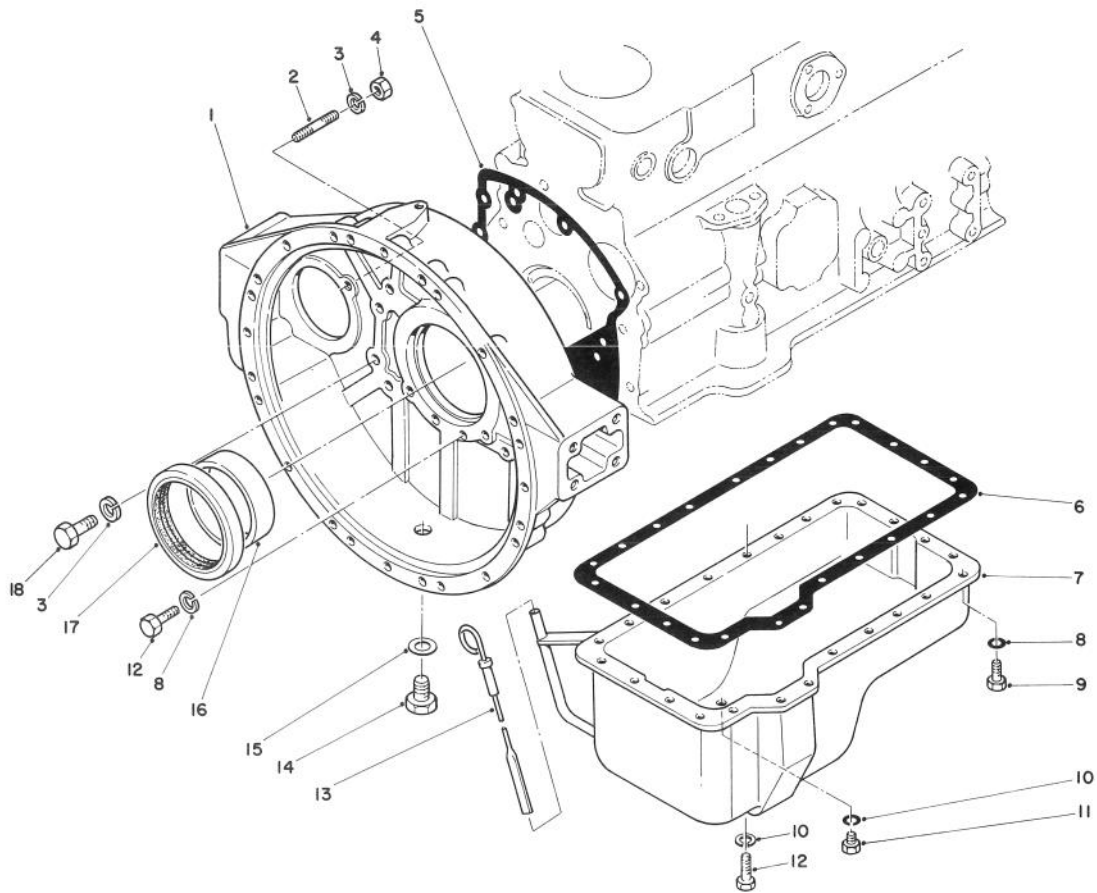
T-0587-90

## OIL PUMP, BREATHER & FILTER

Ref. No.	Part No.	Description	No. Used
1	70-5570	Breather	1
†2	70-3220	O-Ring	1
3	70-3090	Clamp	1
4	70-3030	Tube	1
5	70-3420	Clip	1
6	70-5580	Stay	1
†7	70-5100	Gasket	1
8	70-5270	Cover	1
9	51-7250	Washer	3
10	60-7110	Bolt	3
11		Gear	1
12		Pin	1
13		Shaft	1
14	70-5840	Oil Pump Assembly (Incl. Ref. #11-13, 15-18 & 29-30)	1
15		Rotor	1
16		Pin	2
17		Rotor	1
18	70-5850	Cover	1

Ref. No.	Part No.	Description	No. Used
†19	70-5510	Gasket	1
†20	70-5550	Gasket	1
21	49-2500	Element Assembly	1
22	70-5520	Union	1
23	70-5530	Bracket Assembly (Incl. Ref. #22, 24 & 25)	1
24	51-6820	Washer	1
25	51-6830	Relief Valve Assembly	1
26	60-7480	Bolt	4
27	51-6390	Washer - Lock	4
28	70-2990	Washer	4
29	60-7290	Bolt	4
30	51-7400	Washer	4
31	70-5500	Strainer	1
32	70-5120	Bolt	1
†33	70-3070	Gasket	1
34	70-3340	Connector	1
35	70-5030	Pipe	1
*	70-5540	Oil Filter Assembly (Incl. Ref. #21-25)	1

†Included in Gasket Set No. 70-6950



T-0588-90

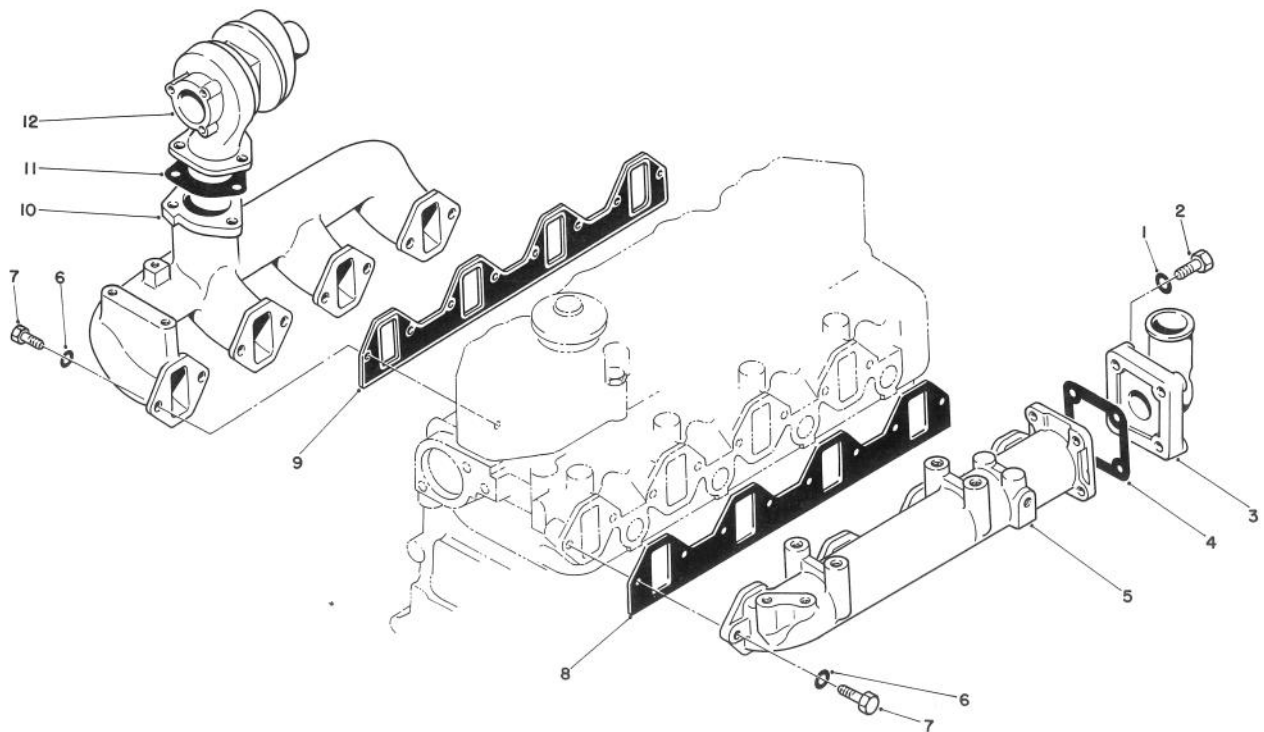
## FLYWHEEL HOUSING & OIL PAN ASSEMBLY

Ref. No.	Part No.	Description	No. Used
1	70-5970	Housing	1
2	51-5950	Stud	2
3	51-6390	Washer - Lock	13
4	51-5970	Nut	2
†5	70-5330	Gasket	1
†6	70-5390	Gasket	1
7	70-5380	Pan - Oil (Incl. Ref. #10 & 11)	1
8	51-7250	Washer - Lock	28
9	60-7280	Bolt	23

Ref. No.	Part No.	Description	No. Used
†10	70-3470	Washer - Drain Plug	1
11	70-3110	Plug - Drain	1
12	60-7370	Bolt	5
13	70-5560	Gage	1
14	70-3230	Plug	1
†15	51-6890	Gasket - Plug	1
16		Sleeve	1
‡17	51-5890	Oil Seal Assembly (Incl. Ref. #16)	1
18	70-2900	Bolt	11

†Included in Gasket Set No. 70-6950

‡Included In Oil Seal Kit No. 70-6960



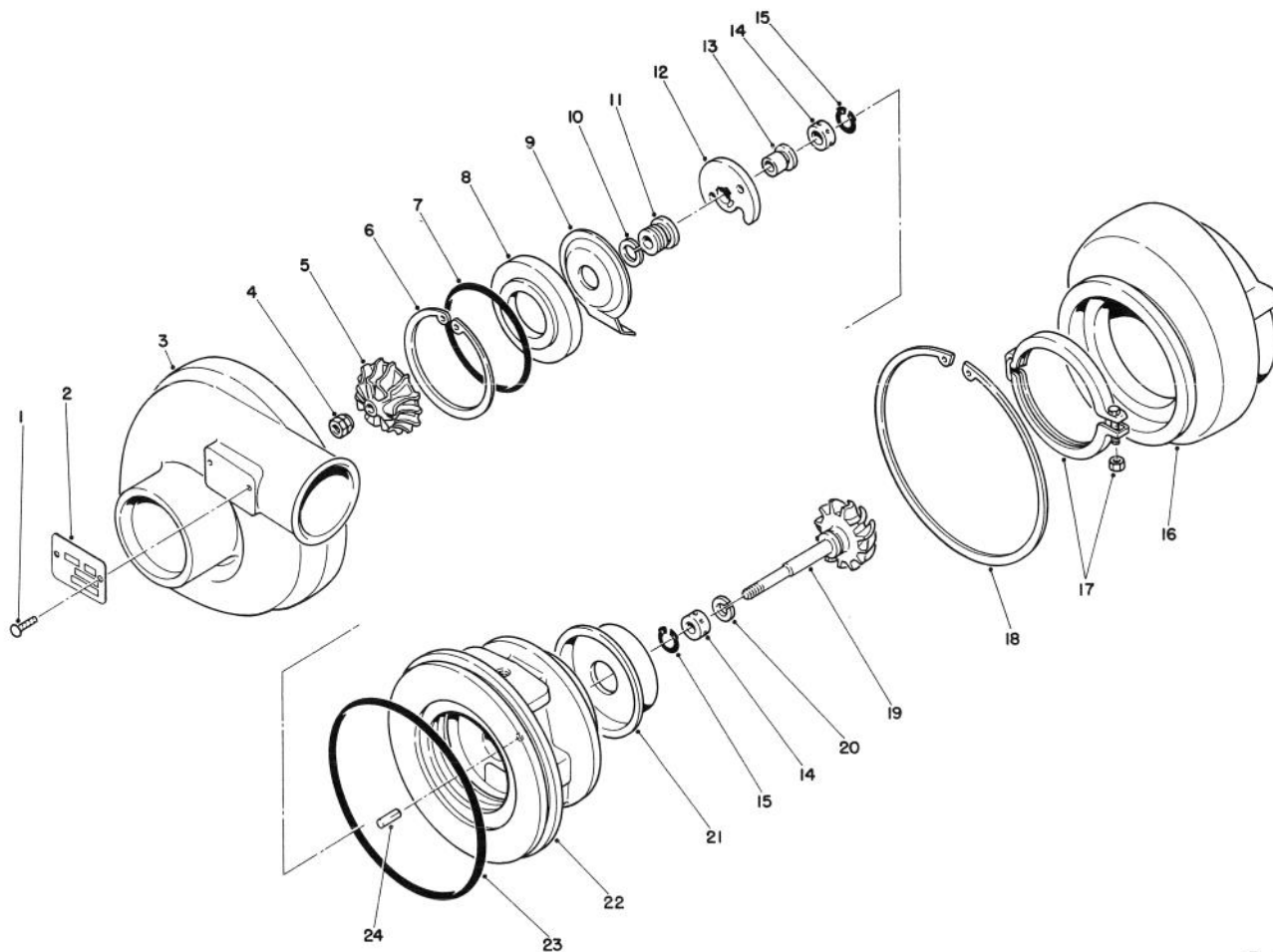
T-0590-90

## INTAKE & EXHAUST MANIFOLD ASSEMBLY

Ref. No.	Part No.	Description	No. Used
1	51-7250	Washer	4
2	60-7370	Bolt	4
3	70-6090	Elbow	1
†4	70-3130	Gasket	1
5	70-6050	Manifold	1
6	51-7250	Washer	16

Ref. No.	Part No.	Description	No. Used
7	60-7370	Bolt	16
†8	70-6060	Gasket	1
†9	70-5460	Gasket	1
10	70-5470	Manifold	1
†11	70-6250	Gasket	1
12	70-6430	Turbocharger Assembly	1

†Included in Gasket Set No. 70-6950

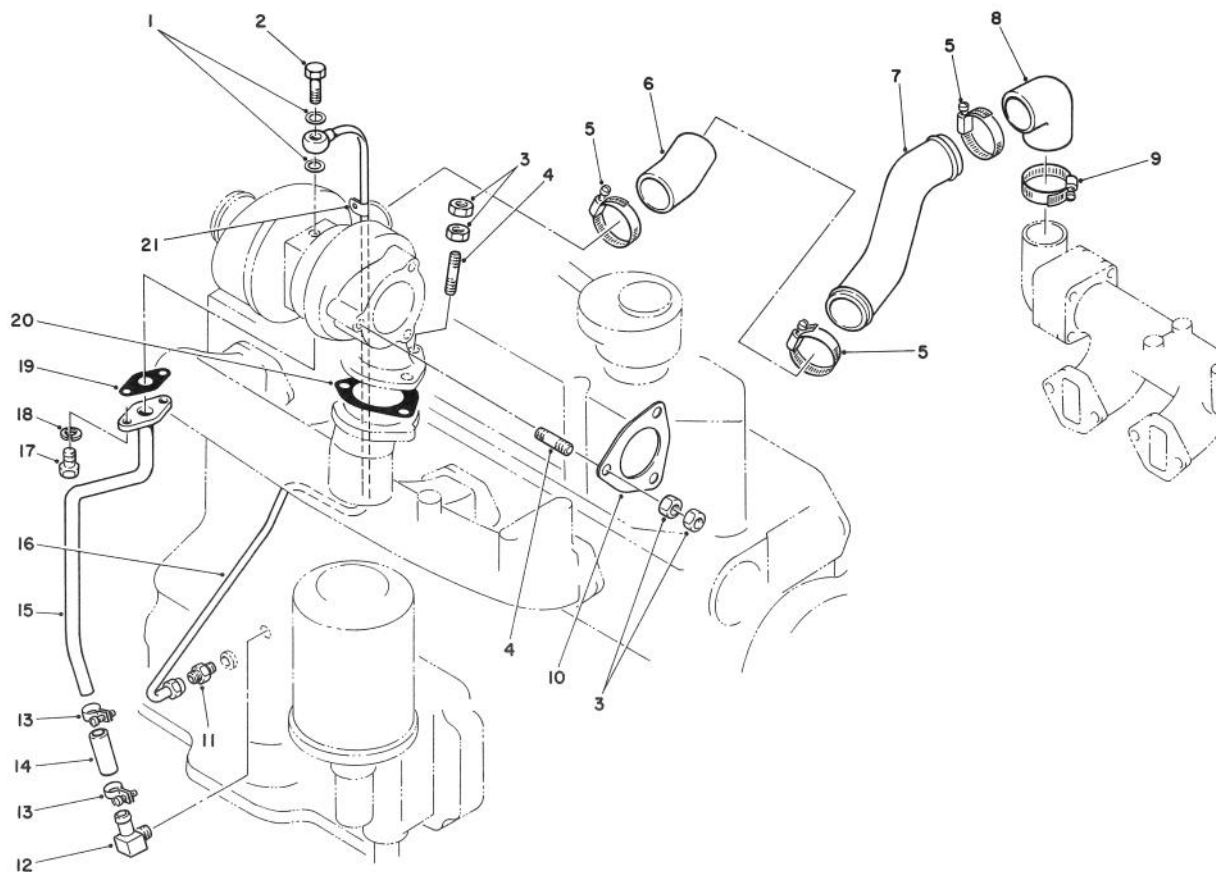


T-0591-90

## TURBOCHARGER ASSEMBLY NO. 70-6430

Ref. No.	Part No.	Description	No. Used
1	60-7160	Rivet	2
2	70-6360	Plate	1
3	70-6340	Cover	1
4	70-6330	Nut	1
5	70-6320	Wheel	1
6	70-6300	Ring	1
7	70-6270	O-Ring	1
8	70-6290	Insert	1
9	70-6280	Deflector	1
10	70-6310	Ring	1
11	70-6410	Sleeve	1
12	70-6380	Bearing	1
13	70-6420	Ring	1
14	70-6370	Bearing	2

Ref. No.	Part No.	Description	No. Used
15	70-6390	Ring	2
16	70-6450	Housing	1
17	70-6230	Coupling Assembly	1
18	70-6400	Ring	1
19	70-6470	Shaft & Turbine Wheel Assy.	1
20	70-6350	Ring	1
21	70-6260	Plate	1
22	70-6460	Bearing Housing Assembly (Incl. Ref. #24)	1
23	70-3010	O-Ring	1
24		Pin	1
*	70-6440	Cartridge Assembly (Incl. Ref. #4-15 & 19-24)	1



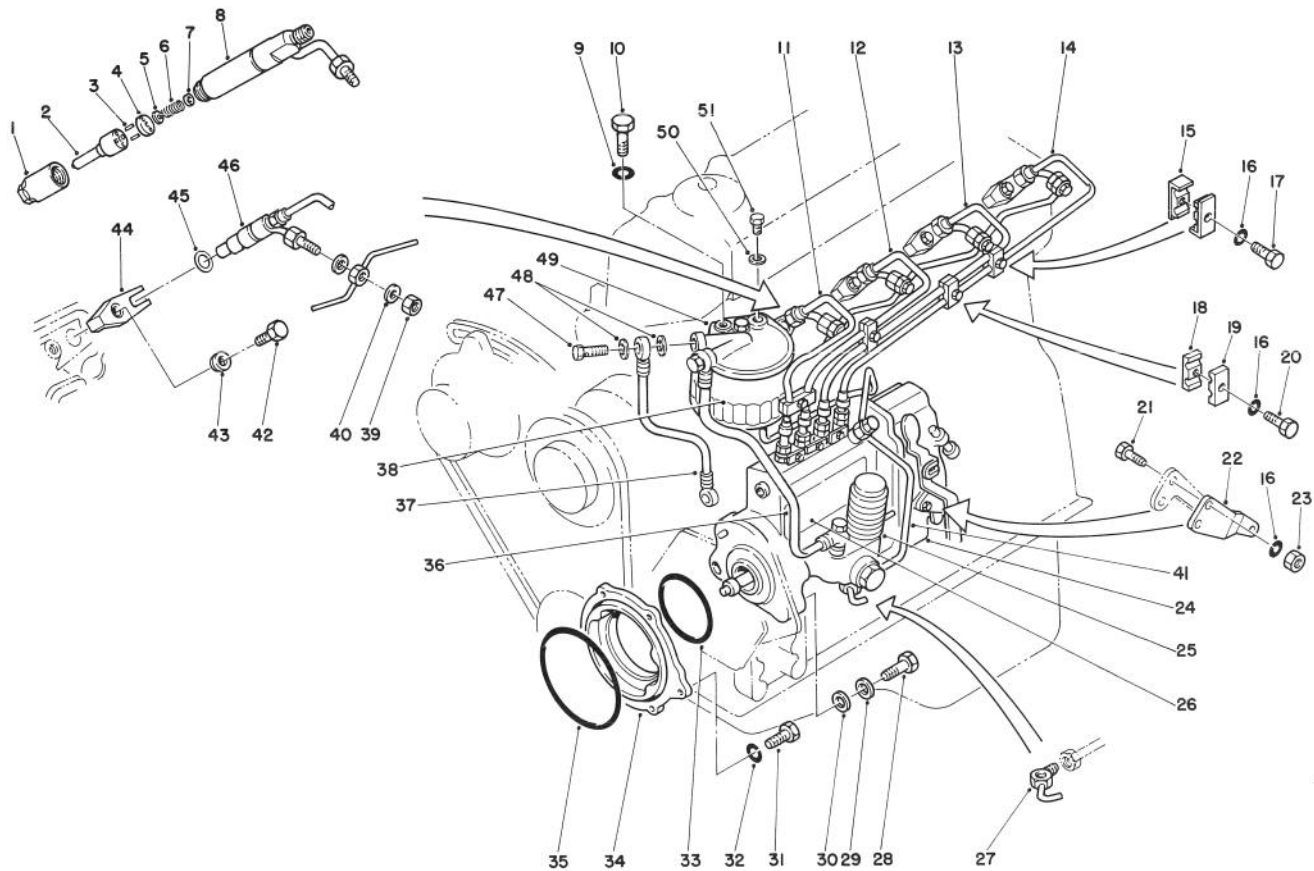
T-0592-90

## TURBOCHARGER OIL PIPE ASSEMBLY

Ref. No.	Part No.	Description	No. Used
†1	70-3060	Gasket	2
2	70-4980	Bolt - Cap Hex Hd.	1
3	60-7120	Nut - Hex.	12
4	70-3480	Stud	6
5	70-3430	Clamp - Hose	3
6	70-6080	Hose	1
7	70-6070	Pipe	1
8	70-4950	Hose - 90° Elbow	1
9	70-3440	Clamp - Hose	1
10	70-6240	Gasket	1
11	70-3340	Connector	1

Ref. No.	Part No.	Description	No. Used
12	70-5310	Fitting - 90° Elbow	1
13	70-3090	Clamp - Hose	2
14	70-3040	Hose	1
15	70-5490	Pipe - Oil	1
16	70-5480	Pipe - Oil	1
17	70-2830	Bolt - Cap Hex. Hd.	2
18	51-7400	Washer - Lock	2
19	70-4970	Gasket	1
†20	70-6250	Gasket	1
21	70-4960	Clamp - R	1

†Included in Gasket Set No. 70-6950



T-0593-90

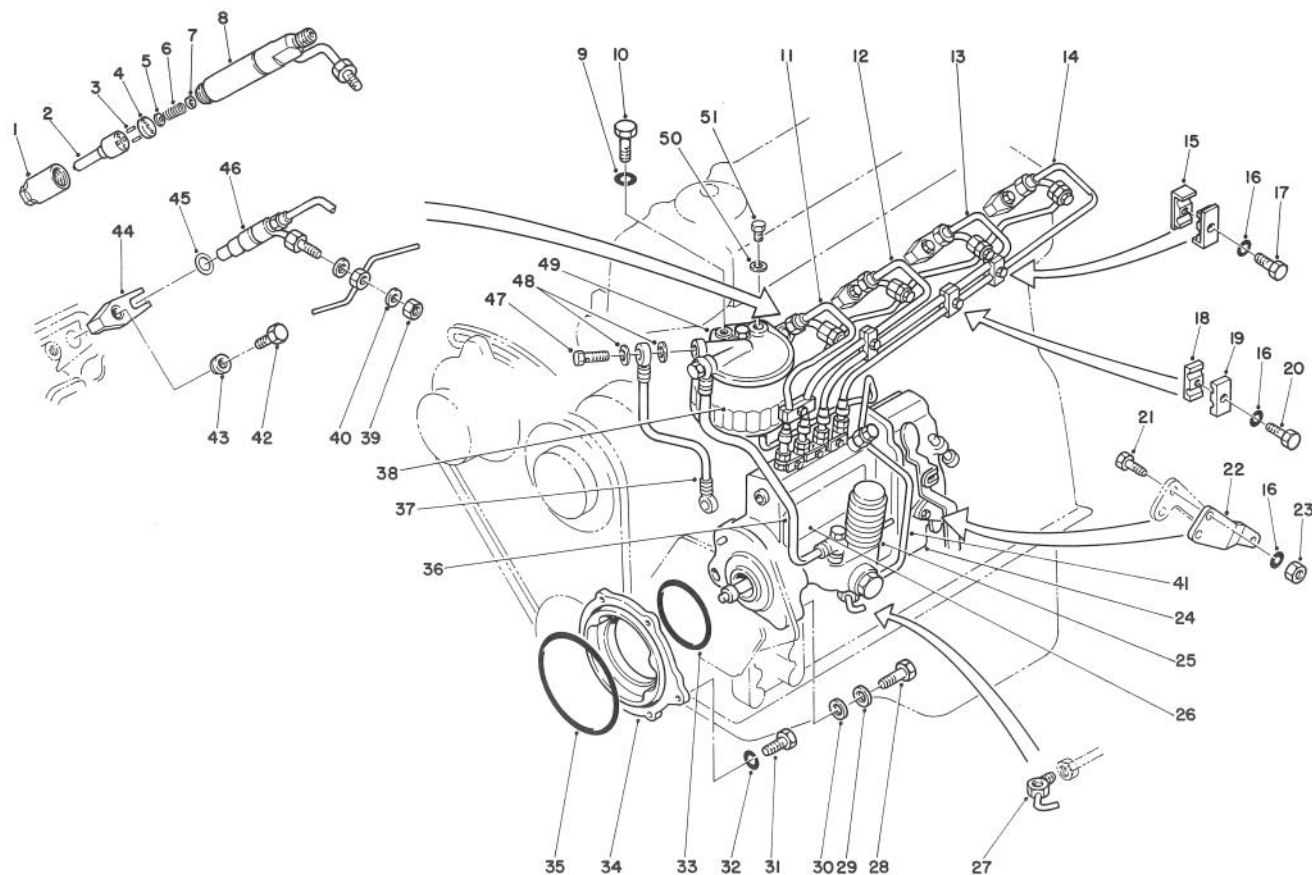
## FUEL SYSTEM ASSEMBLY

Ref. No.	Part No.	Description	No. Used
1	70-4840	Nut	4
2	70-6170	Nozzle Tip Assembly	4
3	70-6830	Pin	8
4	70-4930	Packing	4
5	70-4820	Pin	4
6	70-4830	Spring	4
7	70-4860	Washer 1.00 mm	A/R
*	70-4870	Washer 1.05 mm	A/R
*	70-4880	Washer 1.10 mm	A/R
*	70-4850	Washer 2.15 mm	A/R
*	70-4890	Washer 1.275 mm	A/R
*	70-4900	Washer 1.325 mm	A/R
*	70-4910	Washer 1.775 mm	A/R
*	70-4920	Washer 0.95 mm	A/R
8	70-4810	Body Assembly	4
9	51-6390	Washer - Lock	2
10	60-7480	Bolt	2
11	70-6190	Pipe - No. 1	1
12	70-6100	Pipe - No. 2	1
13	70-6200	Pipe - No. 3	1
14	70-6110	Pipe - No. 4	1
15	60-5210	Clamp	2
16	51-7400	Washer - Lock	6
17	70-2840	Bolt	1

Ref. No.	Part No.	Description	No. Used
18	70-3180	Clamp	3
19	70-3190	Clamp	3
20	70-2830	Bolt	3
21	70-2820	Bolt	2
22	70-5770	Lever	1
23	70-2960	Nut	2
24		Governor	1
25	70-5700	Fuel Feed Pump	1
26	70-6180	Injection Pump (Incl. Ref. #24 & 25)	1
27	70-5060	Joint	1
28	51-4910	Bolt	4
29	51-6390	Washer	4
30	70-2990	Washer	4
31	60-7280	Bolt	2
32	51-7250	Washer - Lock	2
†33	70-6130	O-Ring	1
34	70-6210	Flange	1
†35	70-5070	O-Ring	1
36	70-3140	Pipe	1
37	70-3150	Pipe	1
38	70-5730	Filter Element Assembly	1
39	70-2980	Nut	4
†40	70-3460	Washer	8

\*Not Illustrated

†Included in Gasket Set No. 70-6950



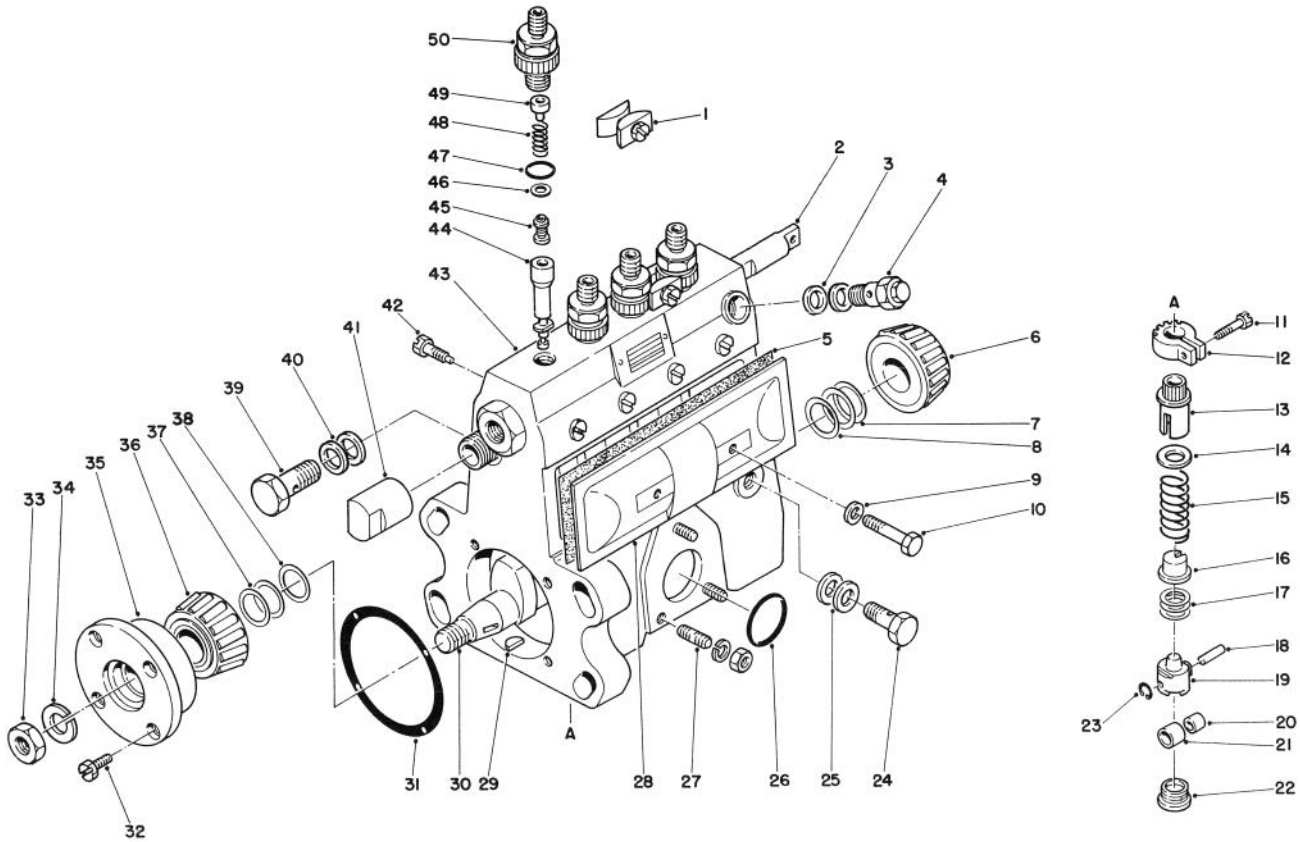
T-0593-90

## FUEL SYSTEM ASSEMBLY (Continued)

Ref. No.	Part No.	Description	No. Used	Ref. No.	Part No.	Description	No. Used
41	70-6120	Pipe	1	47	70-3250	Bolt	2
42	70-2850	Bolt	4	48	70-3210	Packing	4
43	70-6140	Washer	4	49	70-5720	Bracket	1
44	70-6220	Gland	4	50	70-3200	Washer	1
†45	70-6150	Gasket	4	51	70-3240	Plug	1
46	70-6160	Nozzle Assembly (Incl. Ref. #1-8)	4	*	70-5710	Fuel Filter Assembly (Incl. Ref. #38 & 47-51)	1

\*Not Illustrated

†Included in Gasket Set No. 70-6950



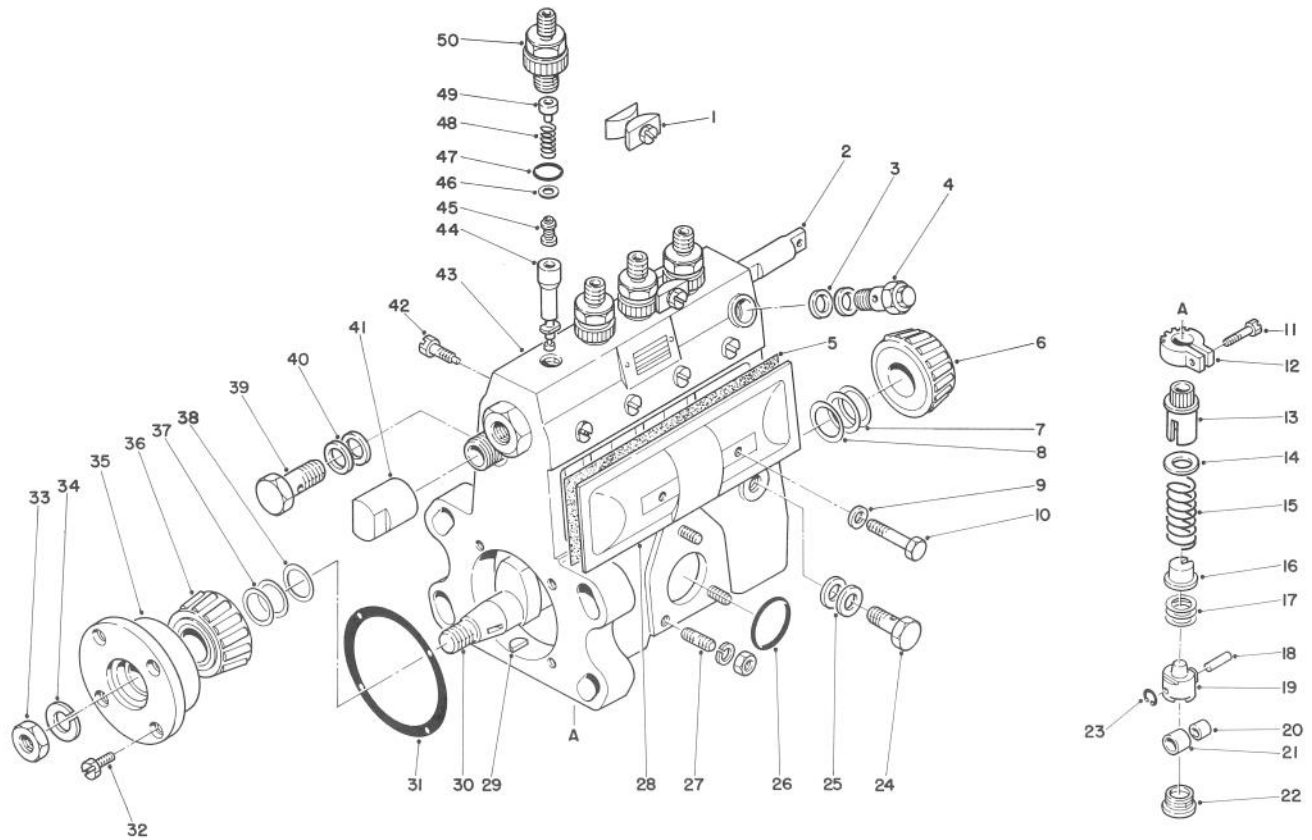
T-0594-90

## FUEL INJECTION PUMP ASSEMBLY

Ref. No.	Part No.	Description	No. Used
1	70-3880	Plate	2
2	70-3840	Rack	1
3	70-3860	Washer	2
4	70-3960	Valve	1
5	70-3930	Gasket	1
6	70-6850	Bearing	2
7	70-3710	Plate - 0.10	A/R
*	70-3720	Plate - 0.12	A/R
*	70-3730	Plate - 0.14	A/R
*	70-3740	Plate - 0.16	A/R
*	70-3750	Plate - 0.18	A/R
*	70-3760	Plate - 0.50	A/R
*	70-3770	Plate - 0.30	A/R
8	70-3690	Ring	1
9	70-3900	Packing	2
10	70-3950	Screw	2
11	70-3570	Screw	4
12	70-3560	Pinion	4
13	70-3580	Sleeve	4
14	70-3590	Seat	4
15	70-3600	Spring	4
16	70-3610	Seat	4

Ref. No.	Part No.	Description	No. Used
17	70-3970	Plate - 0.6	A/R
*	70-3980	Plate - 0.7	A/R
*	70-3990	Plate - 0.8	A/R
*	70-4000	Plate - 0.9	A/R
*	70-4010	Plate - 1.0	A/R
*	70-4020	Plate - 1.1	A/R
*	70-4030	Plate - 1.2	A/R
*	70-4040	Plate - 1.3	A/R
*	70-4050	Plate - 1.4	A/R
*	70-4060	Plate - 0.1	A/R
*	70-4070	Plate - 0.2	A/R
*	70-4080	Plate - 0.3	A/R
*	70-4090	Plate - 0.4	A/R
*	70-4100	Plate - 0.5	A/R
*	70-4110	Plate - 0.15	A/R
18	70-3640	Pin	4
19	70-3620	Body	4
20	70-3650	Bushing	4
21	70-3660	Roller	4
22	70-3670	Plug	4
23	70-6800	E-Ring	4
24	70-6930	Screw	1

\*Not Illustrated



T-0594-90

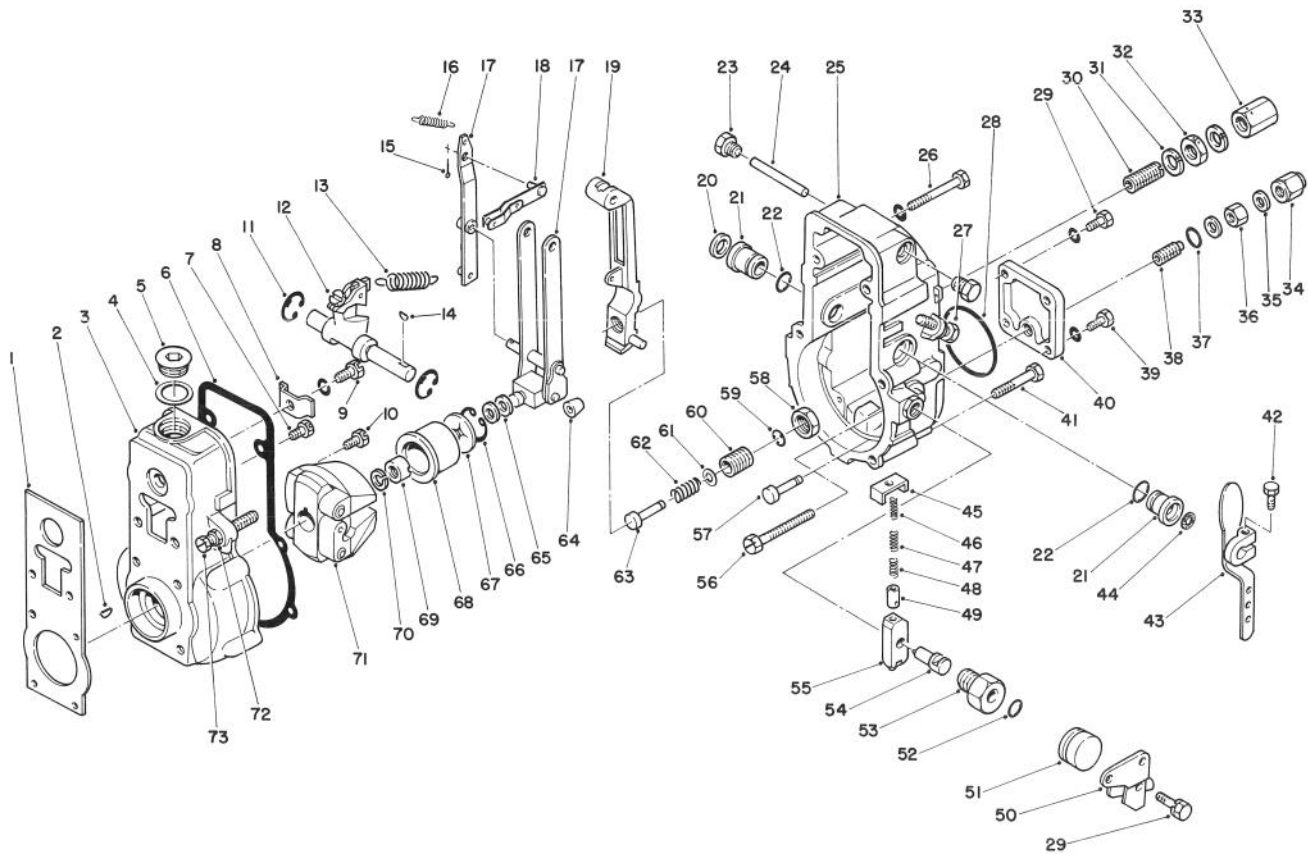
## FUEL INJECTION PUMP ASSEMBLY (Continued)

Ref. No.	Part No.	Description	No. Used
25	70-3910	Washer	2
26	70-6900	O-Ring	1
27	70-6720	Stud	3
28	70-3940	Plate	2
29	70-6880	Key	1
30	70-3680	Camshaft	1
31	70-3830	Gasket	1
32	70-6540	Bolt	4
33	70-6780	Nut	1
34	70-6680	Washer	1
35	70-3820	Cover	1
36	70-6840	Bearing	1
37	70-3780	Plate - 0.1	A/R
*	70-3790	Plate - 0.15	A/R
*	70-3800	Plate - 0.3	A/R
*	70-3810	Plate - 0.5	A/R
38	70-3700	Ring	1

Ref. No.	Part No.	Description	No. Used
39	70-6940	Screw	1
†40	70-3870	Washer	2
41	70-3490	Cover	1
42	70-3850	Screw	1
43	70-4940	Housing Assembly (Incl. Ref. #27)	1
44	70-3550	Element Assembly	4
45	70-3540	Valve Assembly	4
46	70-3530	Gasket	4
47	70-6910	O-Ring	4
48	70-3520	Spring	4
49	70-3510	Stopper	4
50	70-3500	Holder	4
*	70-3920	Cover Assembly (Incl. Ref. #5, 9-10 & 28)	1
*	70-3630	Tappet Assembly (Incl. Ref. #18-21 & 23)	1

\*Not Illustrated

†Included in Gasket Set No. 70-6950

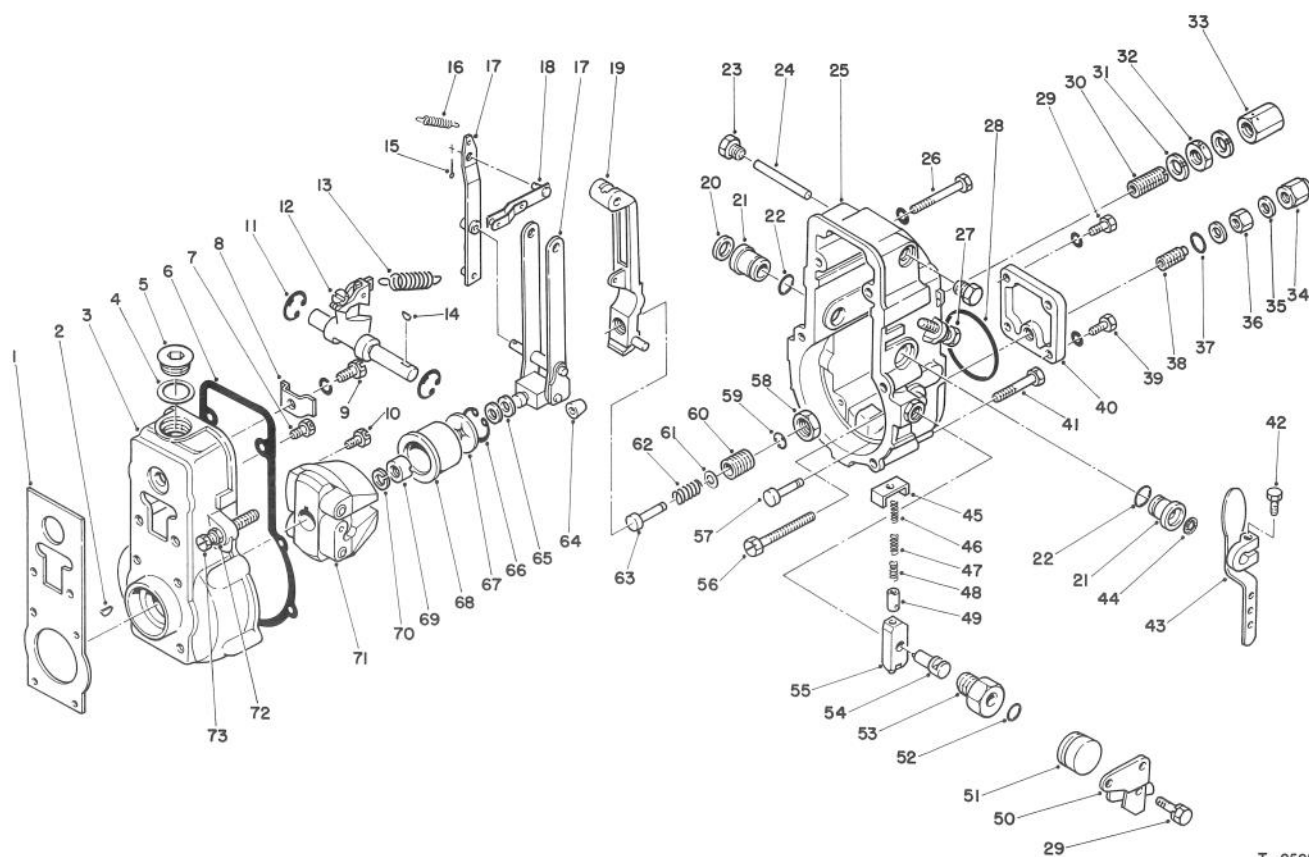


T-0595-90

## GOVERNOR ASSEMBLY

Ref. No.	Part No.	Description	No. Used
1	70-4160	Gasket	1
2	70-6870	Key	1
3	70-4130	Housing	1
4	70-6710	Washer	1
5	70-4590	Plug	1
6	70-4150	Gasket	1
7	70-6530	Bolt	5
8	70-4210	Plate	1
9	70-6550	Bolt	1
10	70-6520	Bolt	1
11	70-6810	E-Ring	2
12	70-4220	Swiveling Lever Assembly	1
13	70-4370	Spring	1
14	70-6860	Key	1
15	70-6480	Pin	1
16	70-4380	Spring	1
17	70-4320	Lever Assembly	1
18	70-4340	Shackle Assembly	1
19	70-4250	Tension Lever Assembly	1
20	70-4580	Cap	1
21	70-4230	Bushing	2
22	70-6510	O-Ring	2
23	70-4360	Plug	2
24	70-4350	Shaft	1
25	70-4400	Cover	1
26	70-6740	Bolt	2

Ref. No.	Part No.	Description	No. Used
27	70-4140	Stopper	1
28	70-6790	Packing	1
29	70-6520	Bolt & Washer	3
30	70-4120	Capsule	1
31	70-3890	Washer	2
32	70-4310	Nut	1
33	70-4440	Nut	1
34	70-4450	Nut	1
35	70-6690	Washer	2
36	70-6770	Nut	1
37	70-6500	O-Ring	1
38	70-4330	Bushing	1
39	70-6760	Bolt & Washer	2
40	70-4550	Plate	1
41	70-6750	Bolt	4
42	70-6730	Bolt	1
43	70-4560	Adjusting Lever Assembly	1
44	70-6920	Seal	1
45	70-4460	Plate	1
46	70-4500	Spring	1
47	70-4520	Spring	1
48	70-4510	Spring	1
49	70-4490	Cup	1
50	70-4570	Stop Lever Assembly	1
51	70-4530	Cover	1
52	70-6890	O-Ring	1



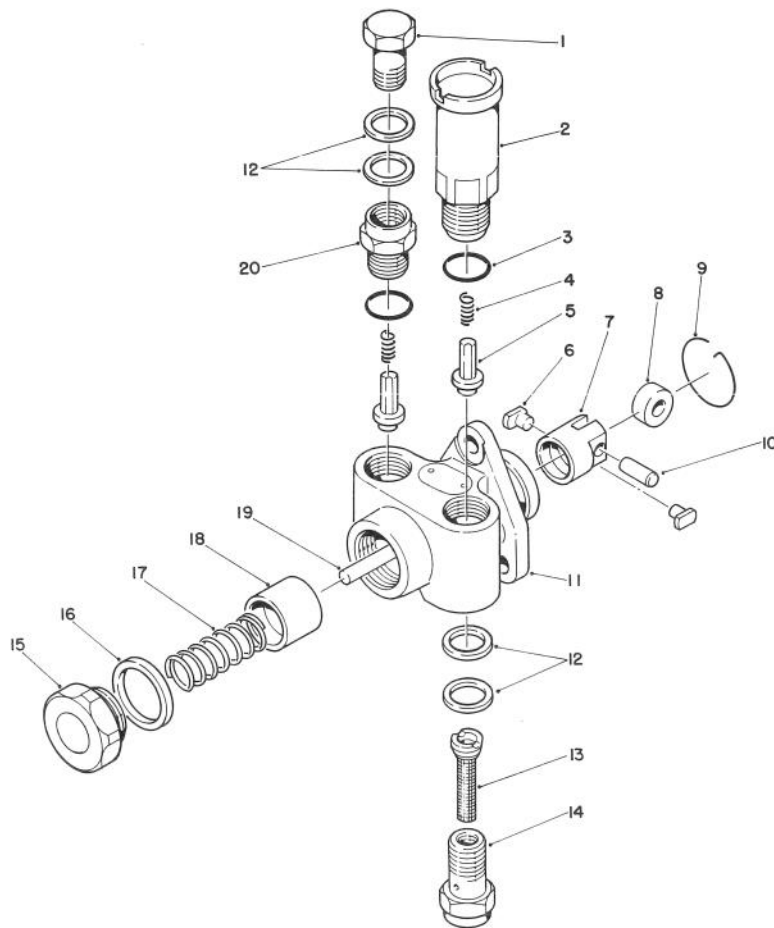
T-0595-90

## GOVERNOR ASSEMBLY (Continued)

Ref. No.	Part No.	Description	No. Used
53	70-4420	Bushing	1
54	70-4480	Shaft	1
55	70-4470	Lever	1
56	70-4390	Screw	1
57	70-4410	Pin	1
58	70-4300	Nut	1
59	70-4240	E-Ring	1
60	70-4270	Screw	1
61	70-6570	Washer - 0.1	A/R
*	70-6600	Washer - 0.2	A/R
*	70-6580	Washer - 0.25	A/R
*	70-6590	Washer - 0.5	A/R
*	70-6660	Washer - 1.0	A/R
62	70-4280	Spring	1
63	70-4290	Adapter	1
64	70-4540	Slider	1

Ref. No.	Part No.	Description	No. Used
65	70-6610	Washer - 0.2	A/R
*	70-6620	Washer - 0.3	A/R
*	70-6630	Washer - 0.4	A/R
*	70-6640	Washer - 0.1	A/R
*	70-6650	Washer - 1.0	A/R
66	70-6490	Ring	1
67	70-4200	Plate	1
68	70-4190	Sleeve	1
69	70-4180	Nut	1
70	70-6670	Washer	1
71	70-4170	Flyweight Assembly	1
72	70-6560	Nut	2
73	70-4430	Screw	1
*	70-4260	Adapter Assembly (Incl. Ref. #59-63)	1

\*Not Illustrated



T-0596-90

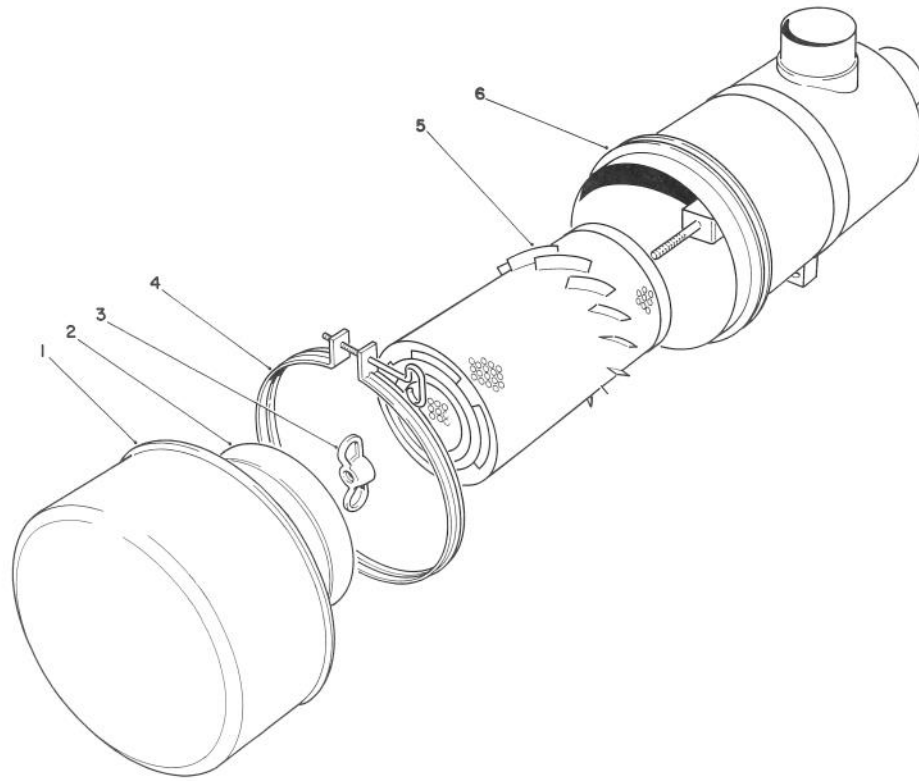
## FUEL FEED PUMP ASSEMBLY NO. 70-5700

Ref. No.	Part No.	Description	No. Used
1	70-6940	Screw	1
2	70-4650	Pump Assembly	1
3	70-4630	Gasket	2
4	70-4620	Spring	2
5	70-4610	Valve	2
6	70-4760	Block	2
7	70-4730	Tappet	1
8	70-4740	Roller	1
9	70-6820	Ring	1
10	70-4750	Pin	1
11	70-4600	Housing Assembly	1
†12	70-3870	Washer	4
13	70-4790	Filter	1

Ref. No.	Part No.	Description	No. Used
14	70-4800	Screw	1
15	70-4780	Plug	1
16	70-6700	Washer	1
17	70-4770	Spring	1
18	70-4720	Piston	1
19	70-4660	Rod, Blue Small Dia.	A/R
*	70-4670	Rod, Red Small Dia.	A/R
*	70-4680	Rod, Yellow Small Dia.	A/R
*	70-4690	Rod, Green Small Dia.	A/R
*	70-4700	Rod, White Small Dia.	A/R
*	70-4710	Rod, Brown Big Dia.	A/R
20	70-4640	Support	1

\*Not Illustrated

†Included in Gasket Set No. 70-6950



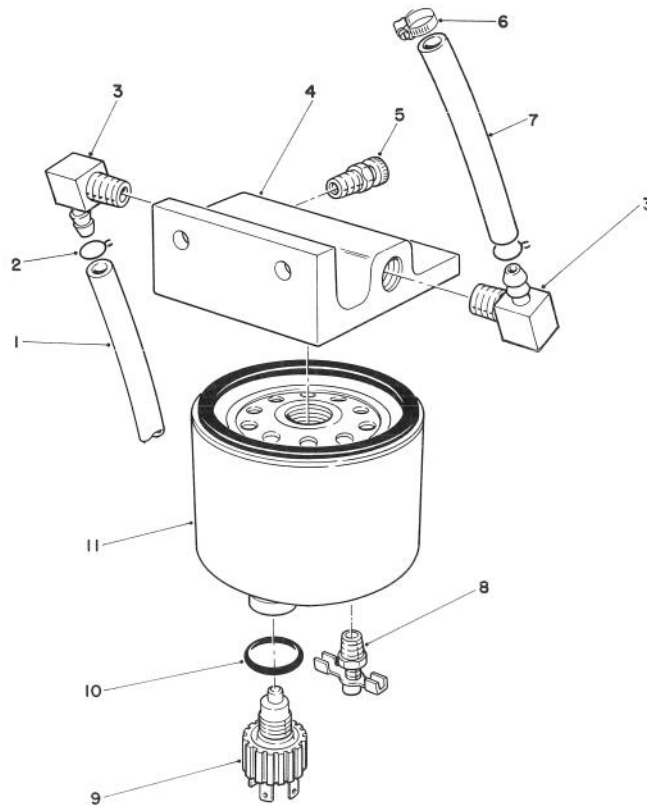
T-0387-90

### AIR CLEANER ASSEMBLY NO. 69-1890

Ref. No.	Part No.	Description	No. Used
1	69-1930	Cup Assembly	1
2	69-1920	Baffle	1
3	27-7120	Nut	1
4	69-1910	Clamp Assembly	1

Ref. No.	Part No.	Description	No. Used
5	69-1900	Element Assembly	1
†6		Housing	1
*	27-7220	Detergent - Element	1

\*Not Illustrated  
 †Not Serviceable

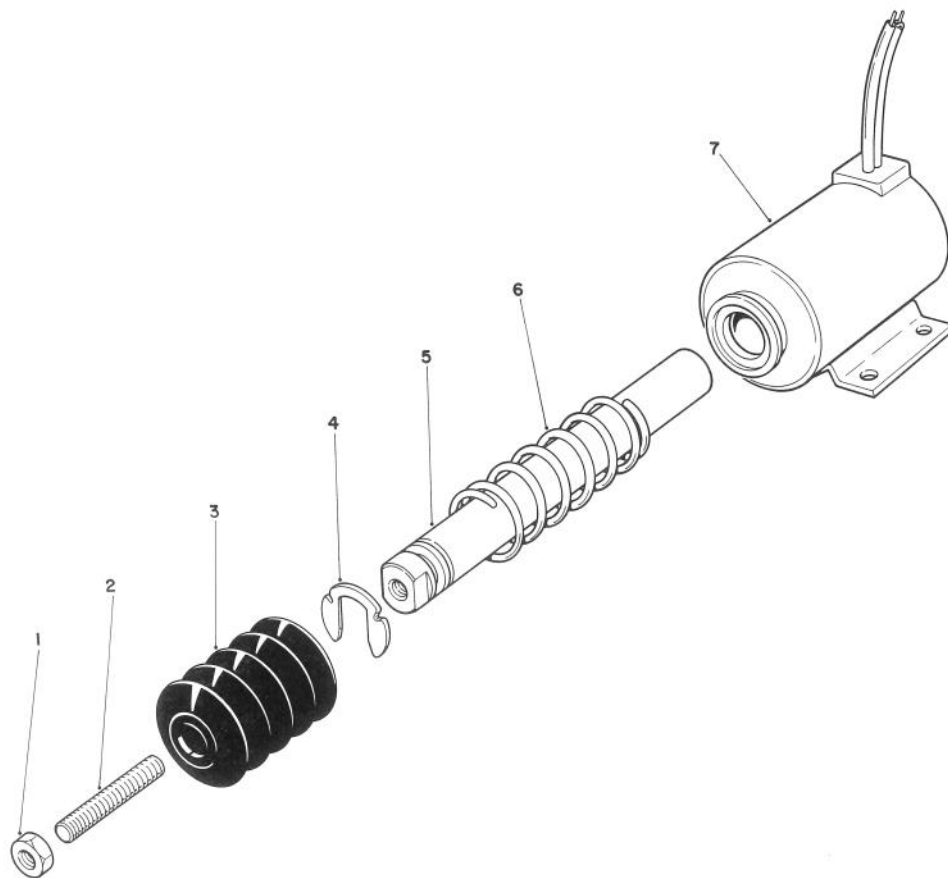


T-0376-90

## FUEL FILTER ASSEMBLY

Ref. No.	Part No.	Description	No. Used	Ref. No.	Part No.	Description	No. Used
1	37-9560	Hose - Fuel	1	8	63-8310	Valve - Drain	1
2	2412-6	Clamp - Hose	2	9	69-1760	Sensor - Water	1
3	353-781	Fitting - Fuel Elbow	2	10	237-154	Seal - O-Ring	1
4	63-8280	Head - Fuel Filter (Incl. Ref. #5)	1	11	69-1770	Element - Spin-On (Incl. Ref. #6)	1
5	63-8290	Vent - Air	1	*	69-1750	Fuel Filter Assembly (Incl. Ref. #4, 5 & 8-11)	1
6	2412-108	Clamp - Hose	1				
7	71-2690	Hose - Fuel	1				

\*Not Illustrated



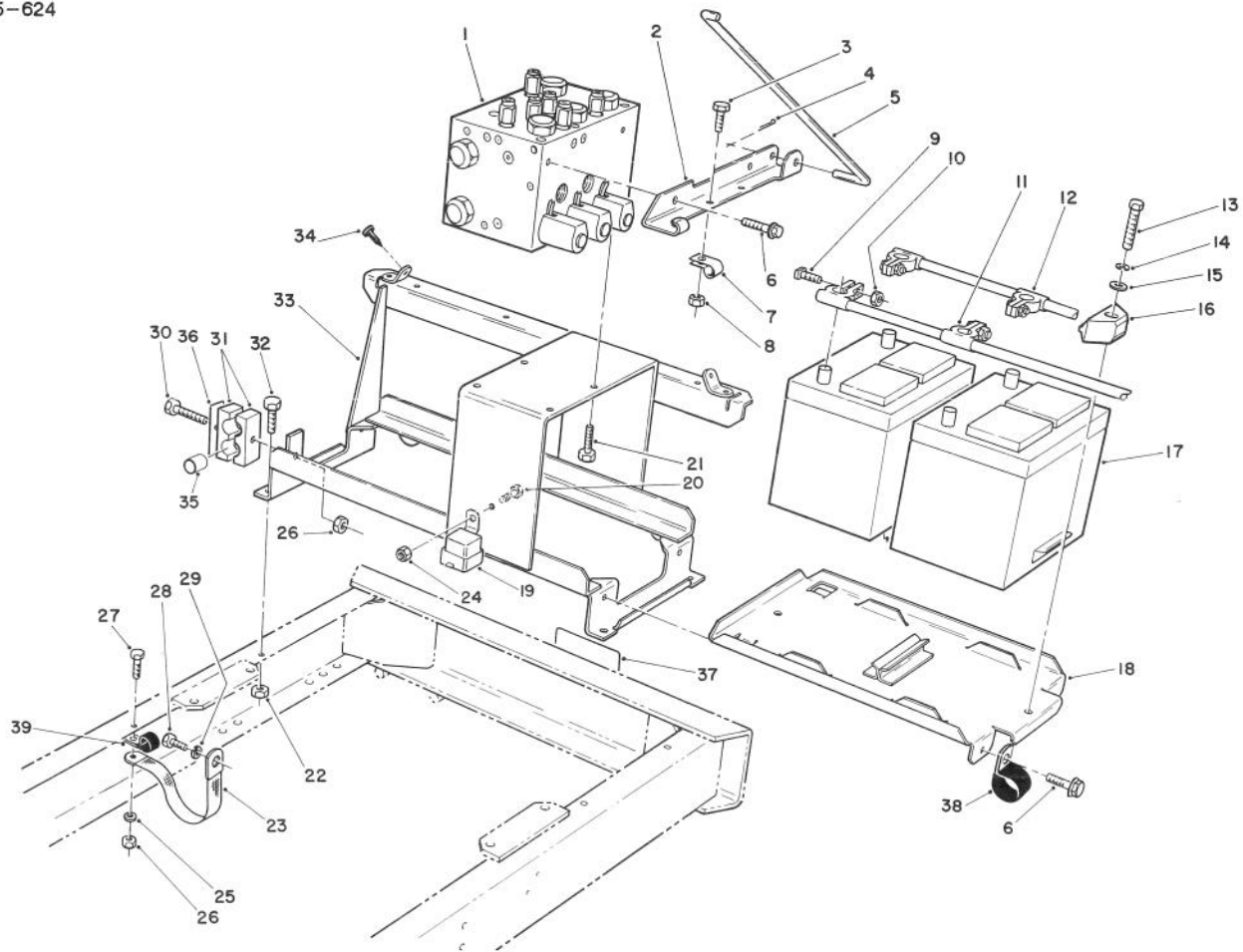
T-0375-90

### SOLENOID VALVE NO. 69-4330

Ref. No.	Part No.	Description	No. Used
1	3220-1	Nut - Jam	1
2	69-4370	Stud - Threaded	1
3	69-4360	Boot - Rubber	1
4	69-4350	Ring - Retaining	1
5		Plunger - Solenoid	1

Ref. No.	Part No.	Description	No. Used
6	69-4340	Spring - Return	1
7		Body - Solenoid	1
*	69-4330	Solenoid Valve Assembly (Incl. Ref. #1-7)	1

\*Not Illustrated



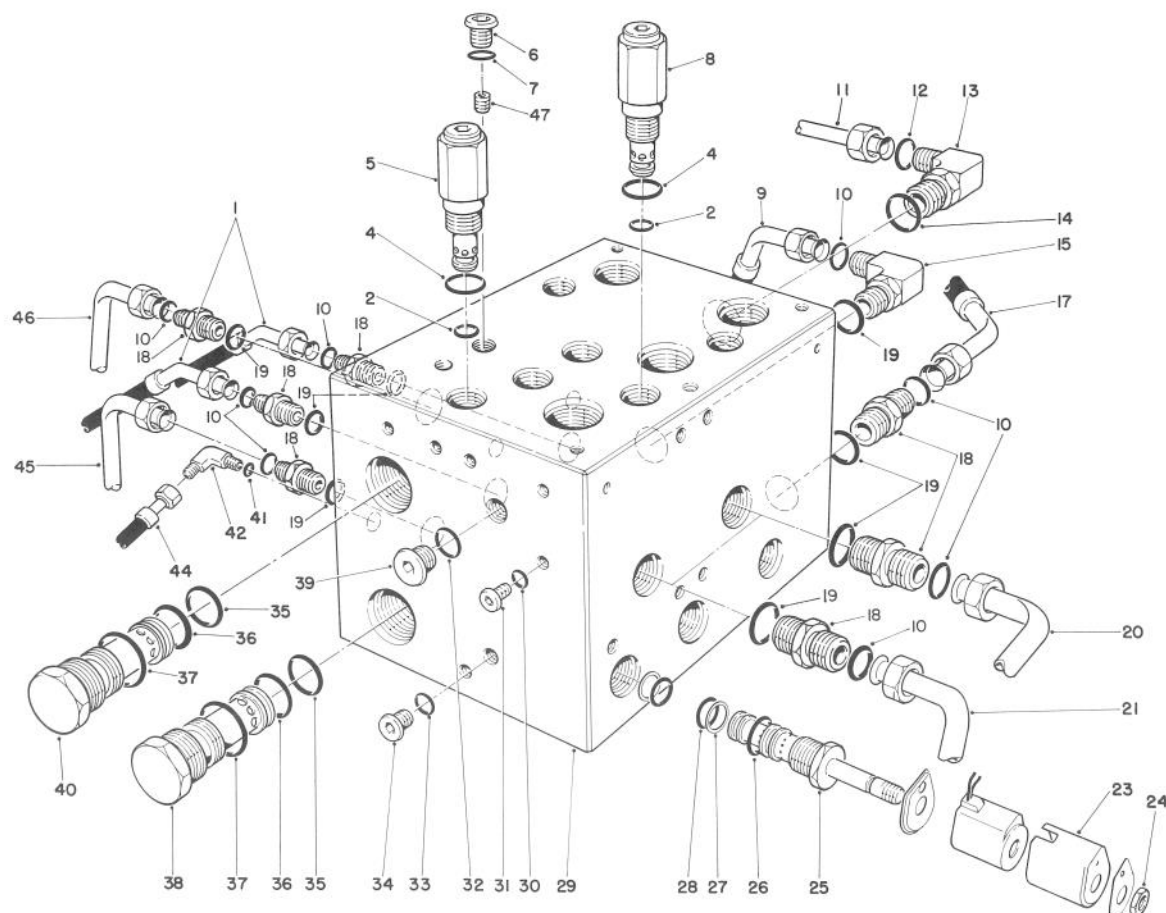
T-0346A

## BATTERY FRAME ASSEMBLY

Ref. No.	Part No.	Description	No. Used	Ref. No.	Part No.	Description	No. Used
1	69-4150	PTO Manifold Assembly	1	21	323-4	Screw - Cap Hex. Hd.	4
2	69-9350	Bracket - Hood Prop Rod	1	22	32152-2	Nut - Lock	4
3	321-3	Screw - Cap Hex. Hd.	3	23	18-2770	Strap - Ground	1
4	3272-6	Pin - Cotter	1	24	3296-2	Nut - Flange Lock	1
5	69-9120	Rod - Hood Prop	1	25	3254-2	Washer - Lock	1
6	3234-17	Screw - Hex. Flange Hd.	4	26	32152-1	Nut - Lock	2
7	2412-73	Clamp - R	3	27	322-5	Screw - Cap Hex Hd.	1
8	32149-2	Nut - Keps	3	28	69-0060	Screw - Cap Hex. Hd.	1
†9		Bolt - Clamp	4	29	48-8070	Washer - Lock	1
†10		Nut - Clamp	4	30	322-11	Screw - Cap Hex. Hd.	1
11	80-0130	Cable - Negative	1	31	56-7974	Clamp - Hydraulic Lines	2
12	80-0120	Cable - Positive	1	32	323-6	Screw - Cap Hex. Hd.	4
13	323-8	Screw - Cap Hex. Hd.	2	33	69-8290	Frame - Battery	1
14	3253-21	Washer - Lock	2	34	237-37	Bumper - Rubber	4
15	3256-24	Washer - Flat	2	35	23-7250	Spacer	1
16	66-2490	Hold-Down - Battery	2	36	69-9761	Plate - Clamp	1
†17		Battery (Type 24, LTV)	2	37	72-4080	Decal - Danger	1
18	80-0160	Tray - Battery	1	38	2412-41	Clamp	2
19	63-7590	Relay	1	39	2412-39	Clamp	1
20	3290-321	Screw - Cap Hex. Hd.	1				

†Not serviceable separately.

‡Obtain Locally

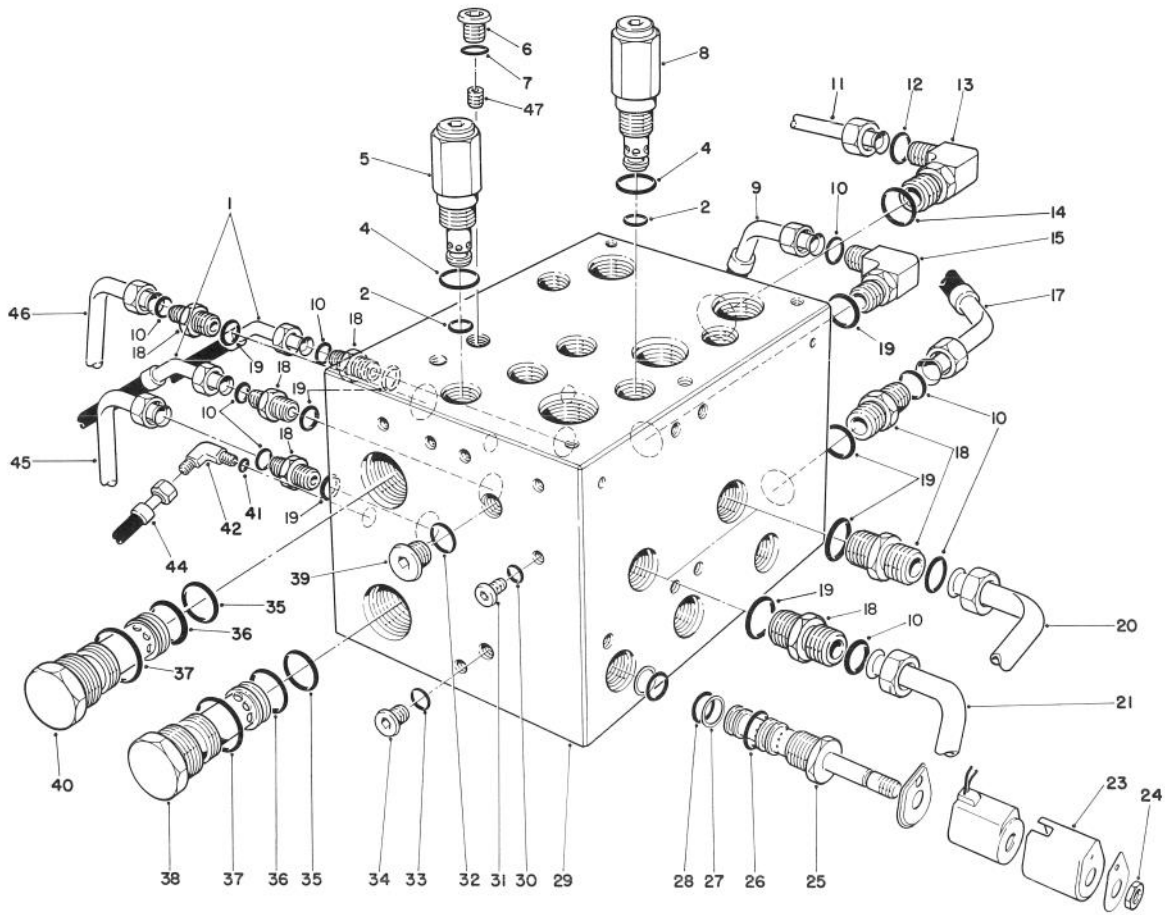


T-0364B

## PTO MANIFOLD ASSEMBLY

Ref. No.	Part No.	Description	No. Used	Ref. No.	Part No.	Description	No. Used
1	69-5590	Hose - Hydraulic	2	25	92-3071	Spool - Solenoid Valve (Incl. Ref. # 24, 26-28)	3
†2		Seal - O-Ring	6	†26		Seal - O-Ring	3
†4		Seal - O-Ring	6	†27		Seal - Washer	6
5	69-4170	Valve - Cartridge (600 lbs) (Incl. Ref. #2-4)	3	†28		Seal - O-Ring	6
6	353-989	Plug (Incl. Ref. #7)	1	29	69-4160	Manifold - PTO	1
7	237-42	Seal - O-Ring	1	30	237-156	Seal - O-Ring	30
8	69-4180	Valve - Cartridge (3000 lbs) (Incl. Ref. #2-4)	3	31	353-991	Plug (Incl. Ref. #30)	30
9	69-5600	Hose - Hydraulic	1	32	237-79	Seal - O-Ring	4
10	237-58	Seal - O-Ring	8	33	237-78	Seal - O-Ring	1
11	69-6160	Tube - Hydraulic	1	34	353-990	Plug (Incl. Ref. #33)	1
12	340-65	Seal - O-Ring	2	†35		Seal - O-Ring	6
13	340-129	Fitting - Hydraulic Elbow (Incl. Ref. #12 & 14)	1	†36		Seal - O-Ring	6
14	237-146	Seal - O-Ring	1	†37		Seal - O-Ring	6
15	340-142	Fitting - Hydraulic Elbow (Incl. Ref. #10 & 16)	1	38	69-4200	Valve - Cartridge (75 lbs) (Incl. Ref. #35-37)	3
17	69-5610	Hose - Hydraulic	1	39	353-988	Plug (Incl. Ref. #32)	4
18	340-9	Fitting - Hydraulic Straight (Incl. Ref. #10 & 19)	7	40	69-4190	Valve - Cartridge (20 lbs) (Incl. Ref. #35-37)	3
19	237-81	Seal - O-Ring	8	41	237-78	Seal - O-Ring	2
20	69-6180	Tube - Hydraulic	1	42	353-431	Fitting - Hydraulic 45° Elbow (Incl. Ref. #41 & 43)	2
21	69-6170	Tube - Hydraulic	1	44	69-5662	Hose - Diagnostic	2
23	88-9190	Solenoid Coil Assembly	3	45	69-6140	Tube - Hydraulic	1
24	3219-10	Nut - Jam	3	46	69-6150	Tube - Hydraulic	1

†Not serviceable separately.



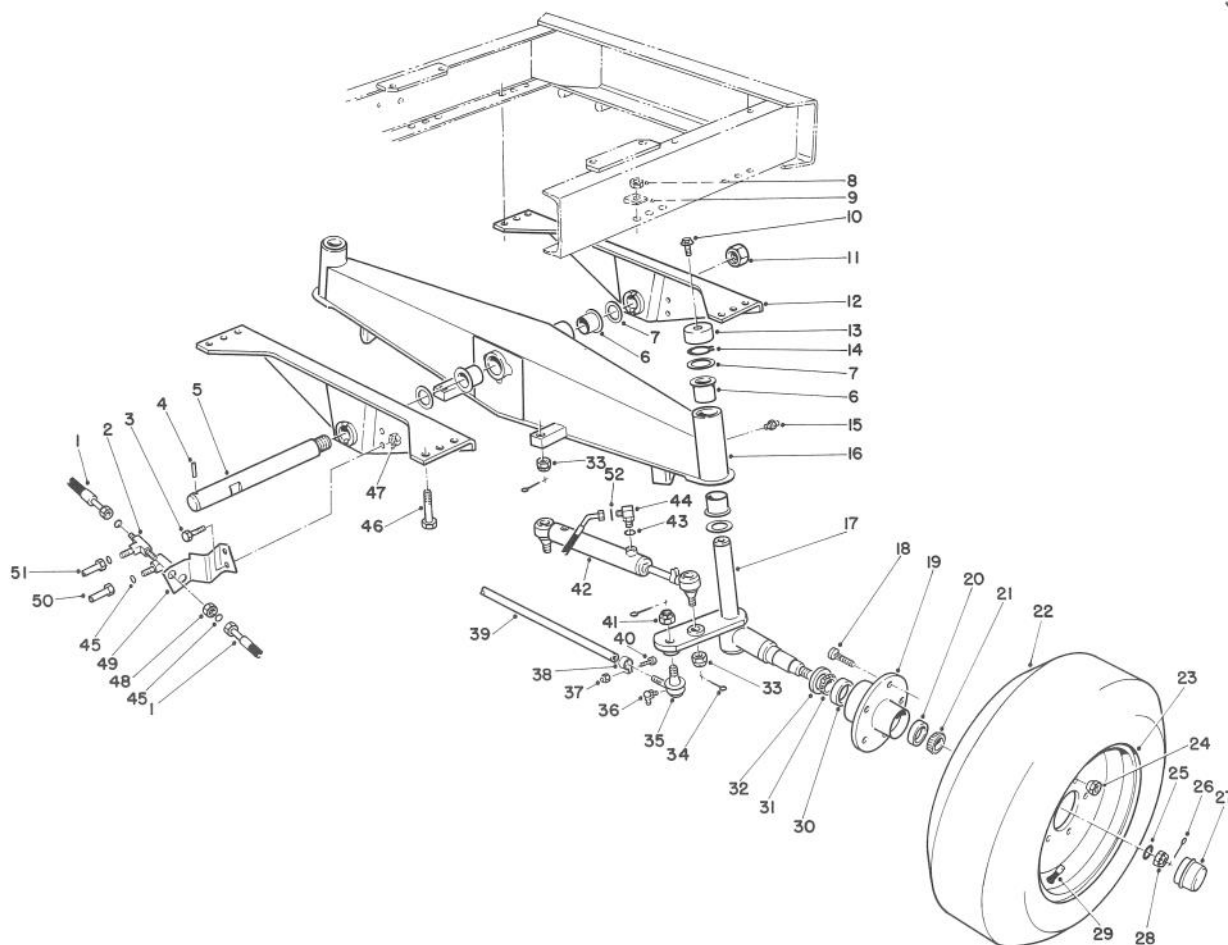
T-0364A-90

## PTO MANIFOLD ASSEMBLY (Continued)

Ref. No.	Part No.	Description	No. Used
47	69-4220	Plug - Orifice	1
*	69-4230	Cartridge Valve Seal Kit (Incl. Ref. #2 & 4)	6
*	69-4270	Cartridge Valve Seal Kit (Incl. Ref. #35-37)	6

Ref. No.	Part No.	Description	No. Used
*	69-4260	Solenoid Valve Seal Kit (Incl. Ref. #26-28)	3
*	69-4150	PTO Manifold Assembly (Incl. Ref. #2, 4-8, 22-40 & 47)	1

\*Not Illustrated



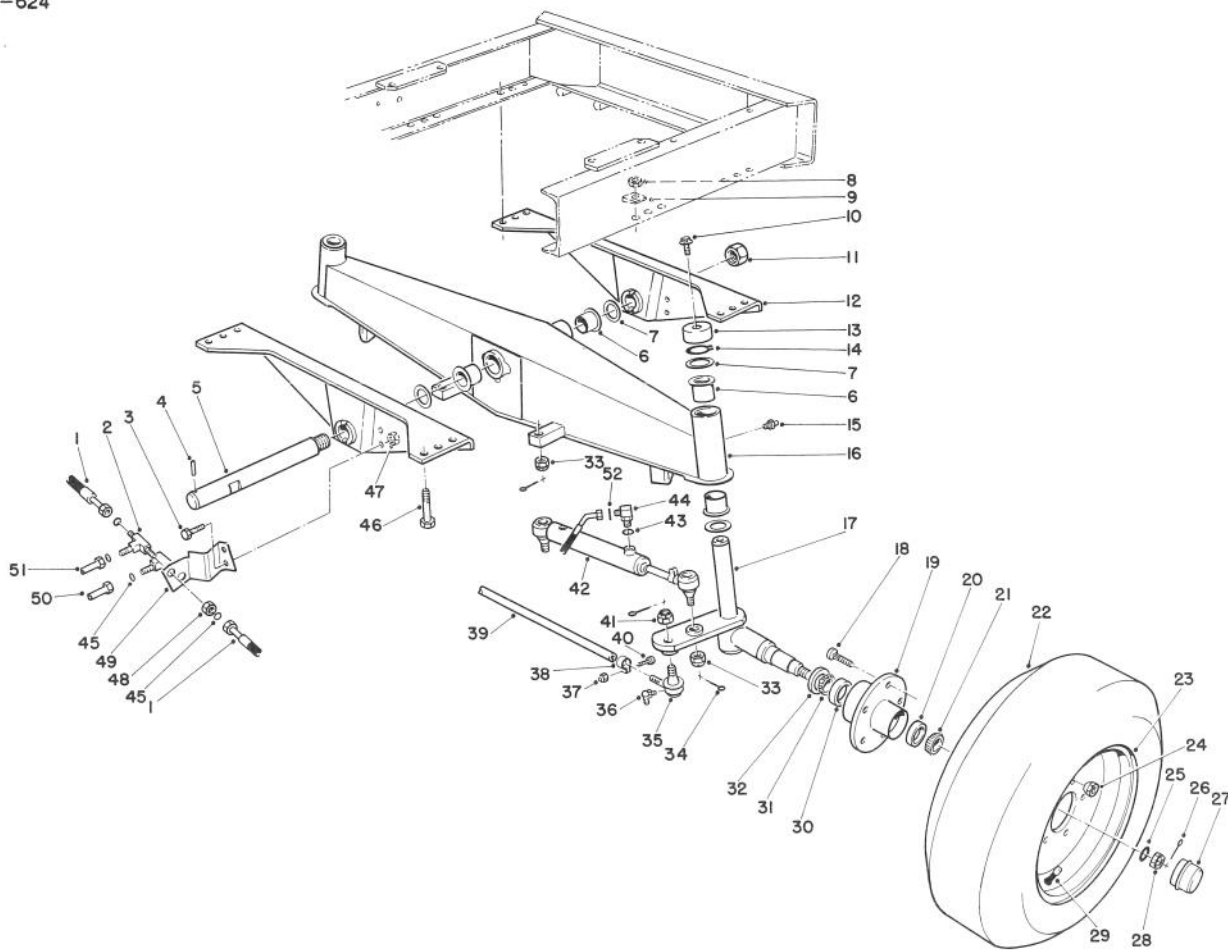
T-0345-90

## REAR AXLE ASSEMBLY

Ref. No.	Part No.	Description	No. Used	Ref. No.	Part No.	Description	No. Used
1	69-5510	Hose - Hydraulic	4	24	23-7270	Nut - Lug	10
2	340-68	Fitting - Hydraulic Bulkhead Tee (Incl. Ref. #45)	2	25	49-0010	Washer	2
3	323-6	Screw - Cap Hex. Hd.	2	26	3272-13	Pin - Cotter	2
4	32121-110	Pin - Roll	1	27	69-2970	Cap - Hub	2
5	71-2590	Shaft - Pivot	1	28	32136-5	Nut - Castle	2
6	69-6470	Bushing - Flange	6	29	232-27	Stem - Valve	2
7	256-304	Washer - Thrust	6	30	254-107	Cup - Bearing Inner	2
8	32128-23	Nut - Lock	12	31	254-106	Cone - Bearing Inner	2
9	3290-216	Washer - Bevel	12	32	69-2980	Seal - Inner	2
10	3234-12	Screw - Hex. Flange Hd.	2	33	32136-13	Nut - Castle	4
11	3296-68	Nut - Lock	1	34	3272-12	Pin - Cotter	6
12	69-7960	Support - Axle	2	35	2116-4	Joint - Ball R.H.	1
13	69-8890	Cap - Spindle	2	*	2116-3	Joint - Ball L.H.	1
14	32151-10	Ring - Retaining	2	36	302-33	Fitting - Grease	2
15	302-5	Fitting - Grease	3	†37		Nut - Lock	2
16	69-7420	Axle - Rear (Incl. Ref. #6 & 15)	1	38	2412-7	Clamp Assembly (Incl. Ref. #37 & 40)	2
17	69-7370	Spindle - Wheel L.H.	1	39	3-3710	Tie Rod Assembly (Incl. Ref. #35-41)	1
*	69-7360	Spindle - Wheel R.H.	1	†40		Screw - Cap Hex. Hd.	2
18	69-2990	Screw - Drive	10	41	32136-2	Nut - Castle	2
19	69-2960	Hub - Rear Wheel (Incl. Ref. #18, 20 & 30)	2	42	69-1960	Cylinder - Steering	2
20	254-72	Cup - Bearing Outer	2	43	237-78	Seal - O-Ring	4
21	254-92	Cone - Bearing Outer	2	44	340-132	Fitting - Hydraulic Elbow (Incl. Ref. #43 & 52)	4
22	69-9880	Tire	2	45	237-22	Seal - O-Ring	6
23	217-116	Rim	2	46	325-6	Screw - Cap Hex. Hd.	12

\*Not Illustrated

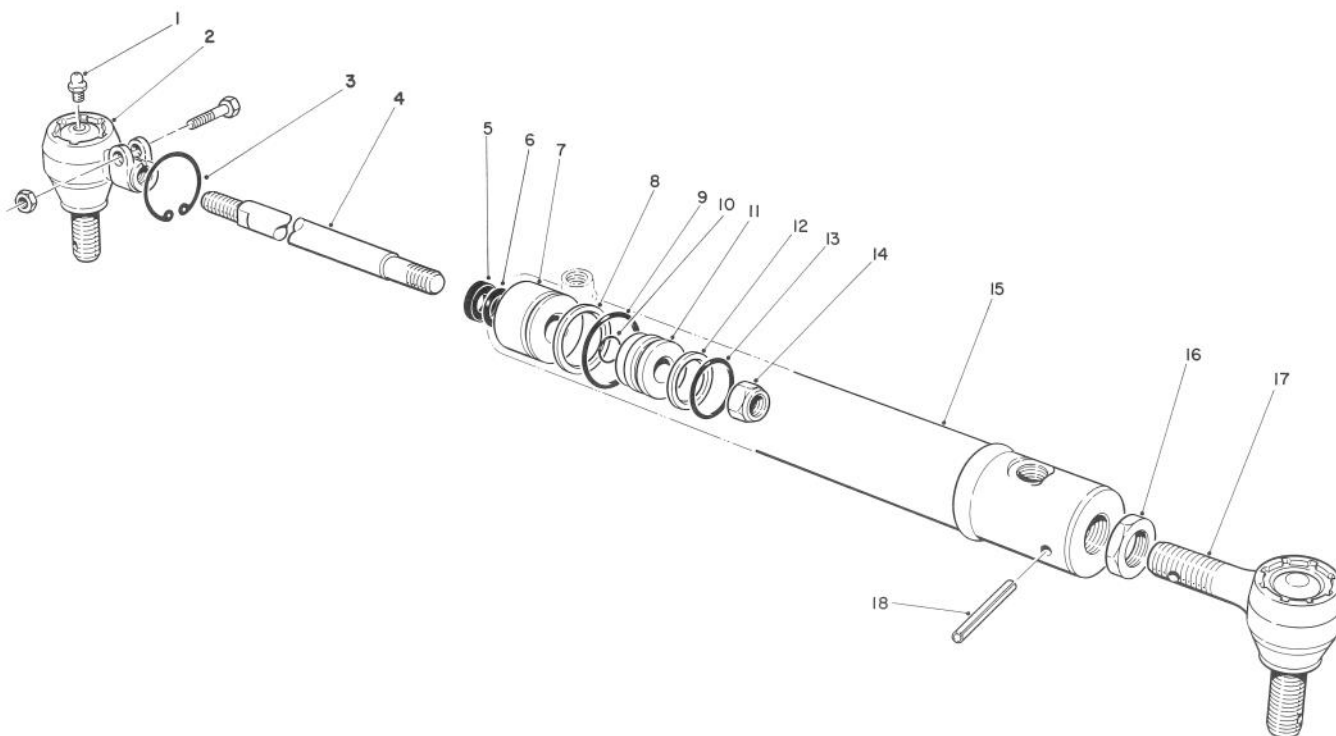
†Not serviceable separately.



T-0345-90

## REAR AXLE ASSEMBLY (Continued)

Ref. No.	Part No.	Description	No. Used	Ref. No.	Part No.	Description	No. Used
47	32152-2	Nut - Lock	2	50	69-6010	Tube - Hydraulic	1
48	340-70	Nut - Bulkhead	2	51	69-6020	Tube - Hydraulic	1
49	69-9400	Bracket - Hose Support	1	52	237-21	Seal - O-Ring	4



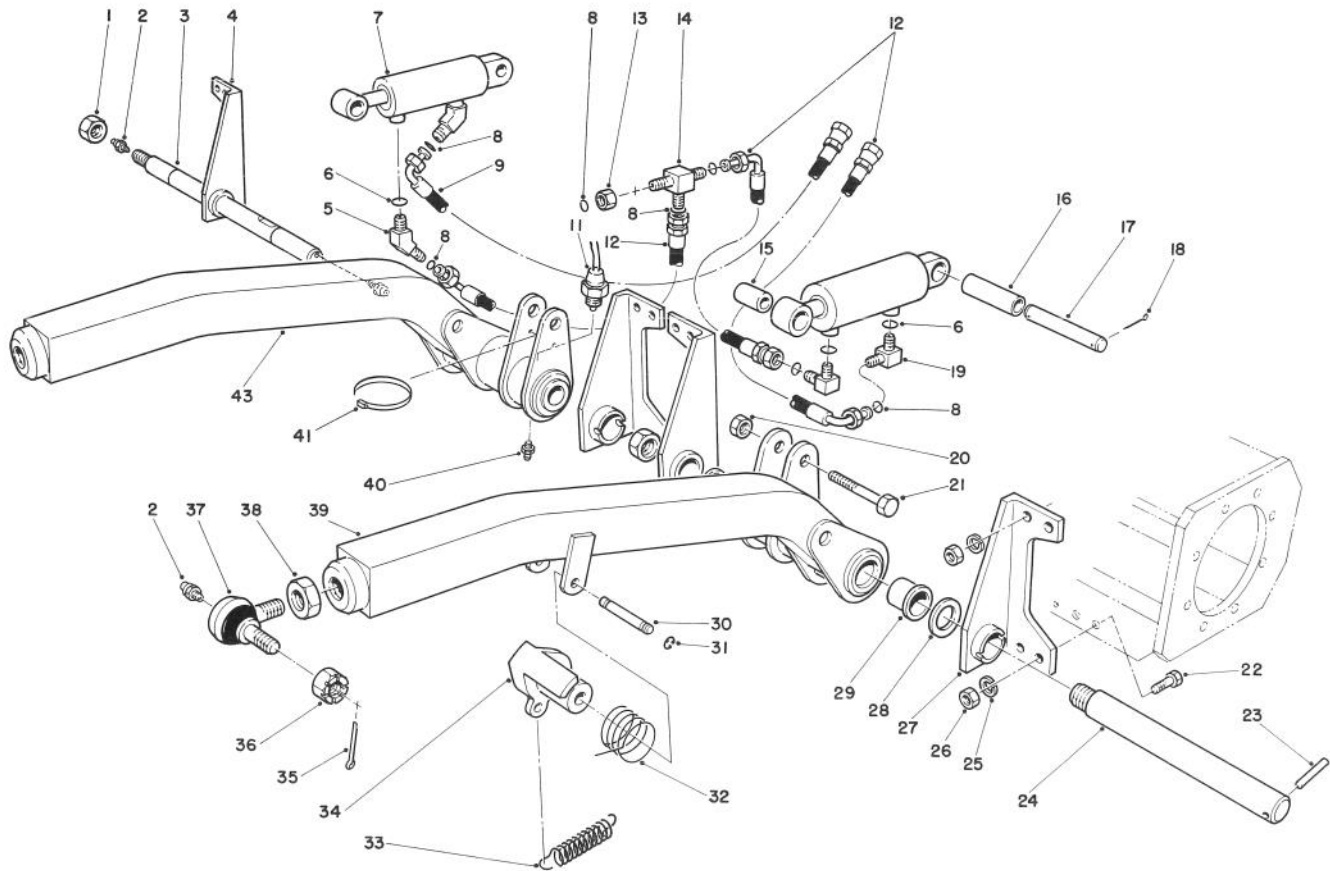
T-0378-90

## HYDRAULIC STEERING CYLINDER

Ref. No.	Part No.	Description	No. Used
1	302-5	Fitting - Grease	1
2	69-9810	Joint - Ball	1
3		Ring - Retaining	1
4	69-2020	Rod - Piston	1
5		Wiper - Rod	1
6		Seal - U-Cup	1
7	69-2030	Ring - Head	1
8		Ring - Back-Up	1
9		Seal - O-Ring	1
10		Seal - O-Ring	1
11	69-2000	Piston	1

Ref. No.	Part No.	Description	No. Used
12		Ring - Piston	1
13		Seal - O-Ring	1
14	69-1990	Nut - Lock	1
15		Barrel - Cylinder	1
16	69-1980	Nut - Jam	1
17	69-1970	Joint - Ball	1
18	32121-34	Pin - Roll	1
*	92-1792	Repair Kit (Incl. Ref. #3, 5, 6, 8-10 & 12-13)	1
*	69-1960	Steering Cylinder (Complete) (Incl. Ref. #3-18)	2

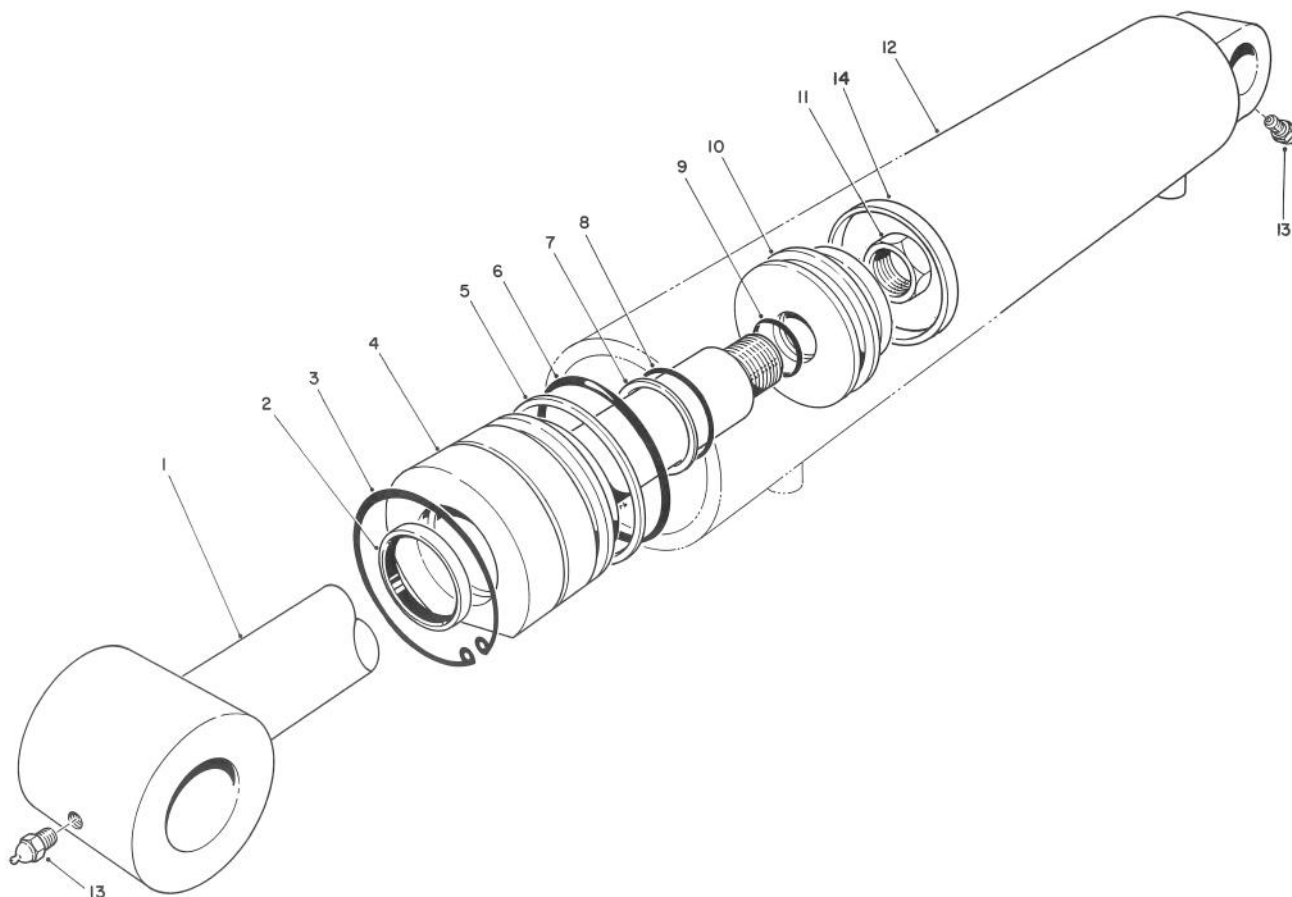
\*Not Illustrated



T-0344-90

## FRONT LIFT ARM ASSEMBLY

Ref. No.	Part No.	Description	No. Used	Ref. No.	Part No.	Description	No. Used
1	3296-68	Nut - Lock	2	23	32121-110	Pin - Roll	2
2	302-2	Fitting - Grease	4	24	71-2590	Shaft - Pivot	1
3	71-2570	Shaft - Pivot	1	25	3253-7	Washer - Lock	16
4	69-7940	Support - Lift Arm R.H.	2	26	3217-9	Nut - Hex.	16
5	340-87	Fitting - Hydraulic Elbow (Incl. Ref. #6 & 8)	2	27	69-7920	Support - Lift Arm L.H.	2
6	237-42	Seal - O-Ring	4	28	256-304	Washer - Thrust	2
7	69-2180	Cylinder - Hydraulic	2	29	69-6470	Bushing - Flange	4
8	237-22	Seal - O-Ring	7	30	69-9080	Pin - Latch	1
9	69-8440	Hose - Hydraulic	1	31	32120-47	Ring - Retaining	2
11	72-4310	Switch - Ball	1	32	69-8470	Spring - Torsion	1
12	69-5440	Hose - Hydraulic	3	33	76-1670	Spring - Extension	1
13	340-70	Nut - Bulkhead	1	34	69-1540	Pivot - Spring	1
14	340-68	Fitting - Hydraulic Bulk. Tee (Incl. Ref. #8)	1	35	3272-12	Pin - Cotter	2
15	69-9190	Tube - Cylinder Bushing	2	36	32136-2	Nut - Slotted	2
16	20-4360	Tube - Spacer	2	37	86-8100	Joint - Ball (Incl. Ref. #2 & 36)	2
17	69-9180	Pin - Cylinder	2	38	21-3000	Nut - Jam	2
18	3272-23	Pin - Cotter	4	39	69-9580	Front Lift Arm Assy. L.H. (Incl. Ref. #29 & 40)	1
19	340-77	Fitting - Hydraulic Elbow (Incl. Ref. #6 & 8)	2	40	302-5	Fitting - Grease	2
20	32153-6	Nut - Lock	2	41	3290-378	Tie - Cable	1
21	328-10	Screw - Cap Hex. Hd.	2	43	69-9570	Front Lift Arm Assy. R.H. (Incl. Ref. #29 & 40)	1
22	325-6	Screw - Cap Hex. Hd.	12				



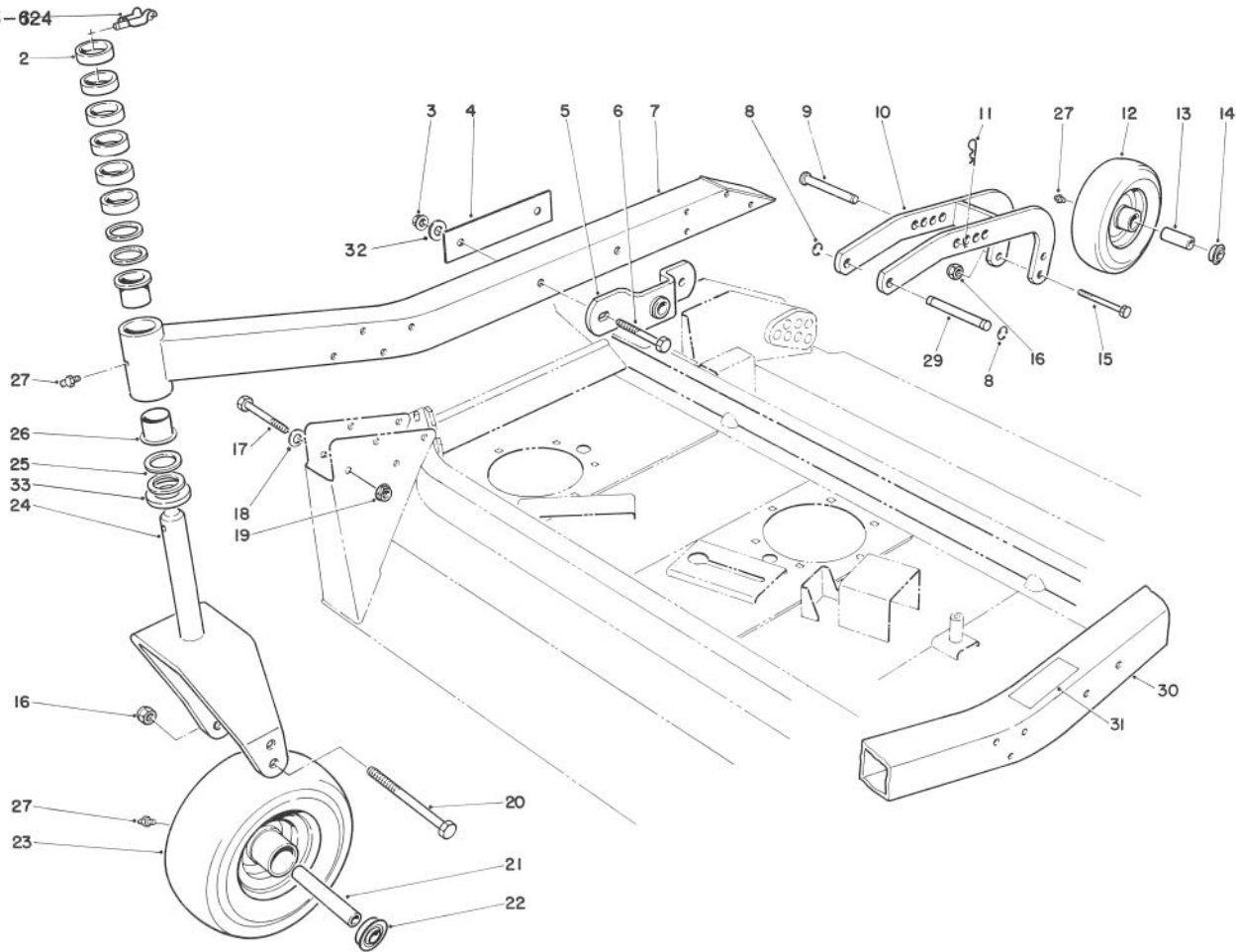
T-0380A

## HYDRAULIC CYLINDER ASSEMBLY NO. 69-2180

Ref. No.	Part No.	Description	No. Used	Ref. No.	Part No.	Description	No. Used
1	69-2580	Shaft w/clevis	1	†9		Uni-Ring	1
†2		Seal - Dust	1	10	60-9770	Piston	1
3	61-4990	Ring - Retaining	1	11	60-9760	Nut - Lock	1
4	69-2570	Head	1	†12		Barrel	1
†5		Ring - Back-Up	1	13	302-5	Fitting - Grease	2
†6		Seal - O-Ring	1	14		Seal - Uni-Ring	1
†7		Ring - Back-Up	1	*	86-7350	Seal Repair Kit (Incl. Ref. #2 & 5-9)	1
†8		Seal - O-Ring	1				

\*Not Illustrated

†Not serviceable separately.

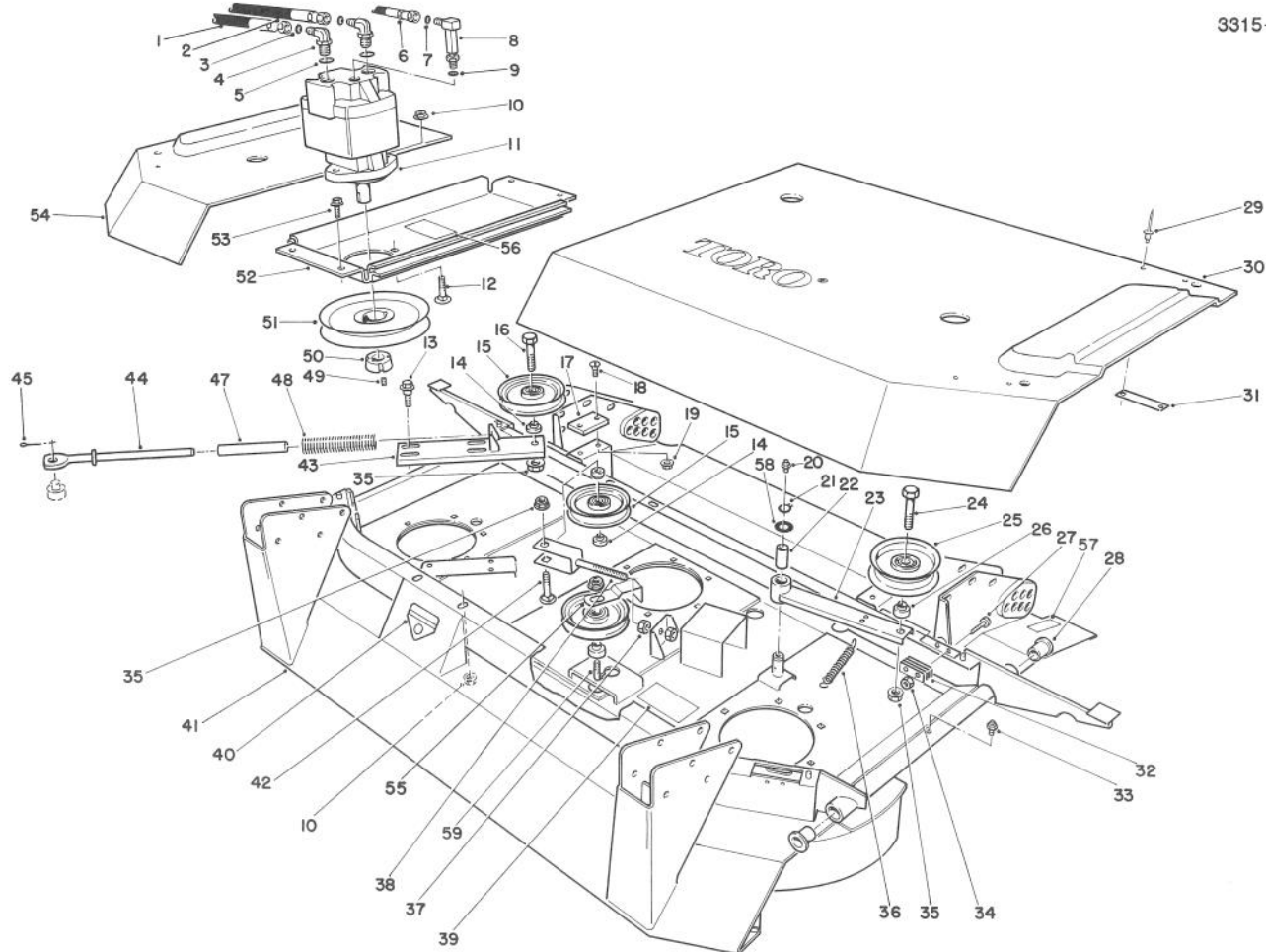


T-0362A-90

## CENTER DECK MODEL NO. 30592 CARRIER FRAME ASSEMBLY

Ref. No.	Part No.	Description	No. Used
1	3290-384	Pin - Lynch	2
2	69-1510	Spacer - Caster	12
3	32128-23	Nut - Flange Lock	4
4	69-8790	Plate - Reinforcing	2
5	69-7290	Mount - Ball Joint	2
6	325-15	Screw - Cap Hex. Hd.	4
7	69-8860	Arm - Castor R.H. (Incl. Ref. #26-27)	1
8	32151-48	Ring - Retaining	4
9	283-70	Pin - Hitch (Incl. Ref. #11)	2
10	75-9790	Arm - Pivot	2
11	3290-343	Pin - Cotter Hair	2
12	92-1654	Castor Wheel Assembly (Incl. Ref. #13-14, & 27)	2
13	251-332	Spacer Bearing	2
14	251-321	Bearing - Castor	4
15	327-24	Screw Cap Hex. Hd.	2
16	3296-53	Nut - Lock	4

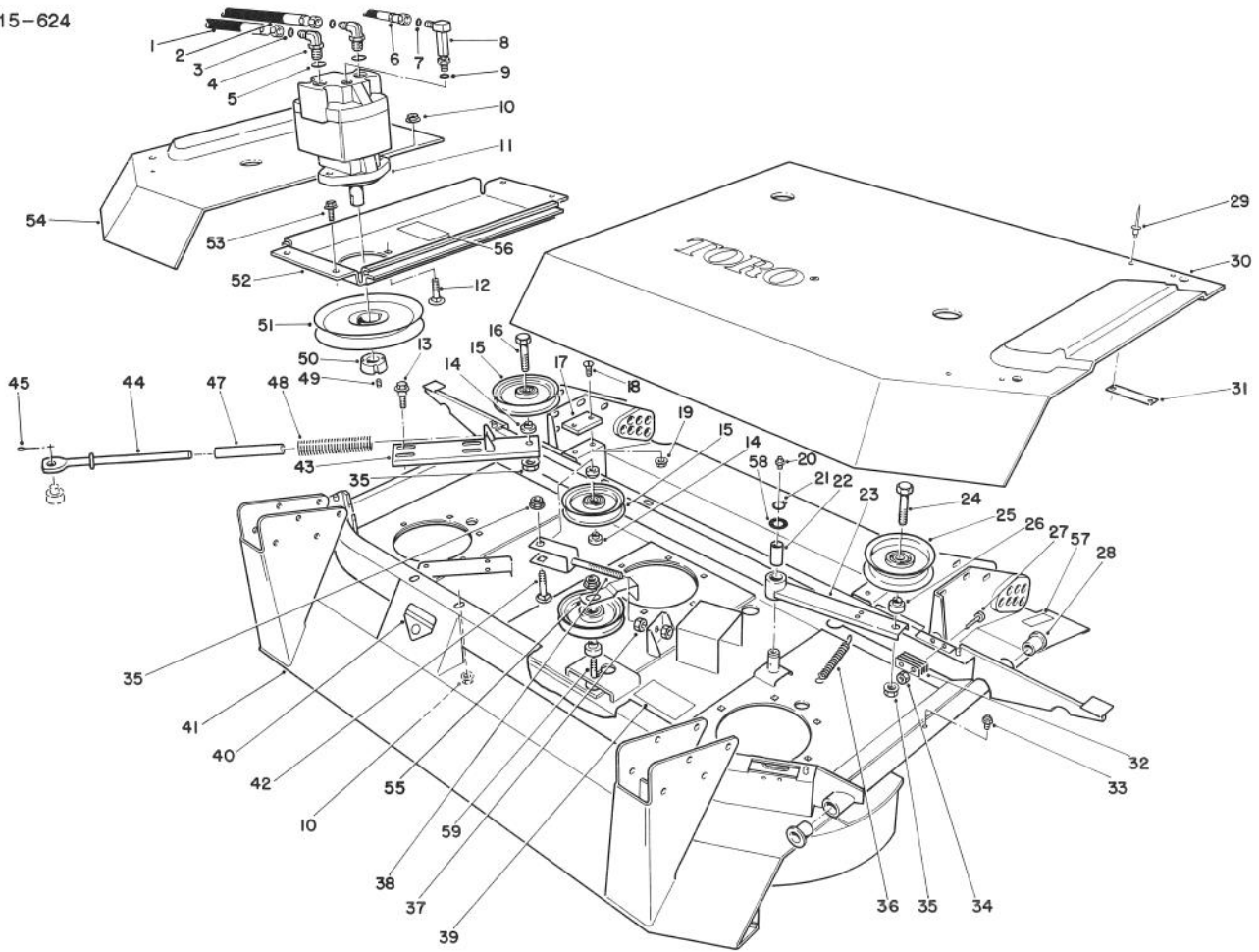
Ref. No.	Part No.	Description	No. Used
17	323-15	Screw - Cap Hex. Hd.	16
18	5-0838	Washer - Flat	16
19	32128-43	Nut - Lock	16
20	327-15	Screw - Cap Hex. Hd.	2
21	251-333	Spacer - Bearing	2
22	251-321	Bearing - Castor	4
23	92-2362	Castor Wheel Assembly (Incl. Ref. #21-22, & 27)	2
24	75-9650	Fork - Castor	2
25	69-6860	Washer - Castor	8
26	69-6470	Bushing - Flange	4
27	302-5	Fitting - Grease	6
29	69-9260	Pin - Clevis	2
30	13-5069	Arm - Castor L.H. (Incl. Ref. #26-27, & 31)	1
31	69-0880	Decal - Torque	1
32	30-8770	Washer - Flat	2
33	77-0950	Washer - Castor	2



T-0361C

## CENTER DECK MODEL NO. 30592

Ref. No.	Part No.	Description	No. Used	Ref. No.	Part No.	Description	No. Used
1	76-2760	Hydraulic Hose Assembly	1	27	32105-1	Screw - Machine	8
2	76-2750	Hydraulic Hose Assembly	1	28	256-117	Bushing - Flange	4
3	237-58	Seal - O-Ring	2	29	3269-25	Rivet - Pop	8
4	340-142	Fitting - Hydraulic Elbow (Incl. Ref #3 & 5)	2	30	69-6780	Cover - Center Left	1
5	237-81	Seal - O-Ring	2	31	69-6870	Plate - Magnet	4
6	76-2770	Hydraulic Hose Assembly	1	32	69-6260	Magnet - Cover	4
7	237-22	Seal - O-Ring	1	33	302-5	Fitting - Grease	2
8	69-4320	Fitting - Hydraulic 90° Elbow (Incl. Ref. #7 & 9)	1	34	3296-2	Nut - Lock	8
9	237-42	Seal O-Ring	1	35	32128-23	Nut - Flange Lock	4
10	32128-21	Nut - Flange Lock	6	36	76-1670	Spring - Extension	1
11	69-2780	Motor - Hydraulic	1	37	3217-9	Nut - Jam	2
12	3231-28	Bolt - Carriage	2	38	69-6550	Arm - Tension	1
13	19-1470	Bolt - Shoulder	4	39	82-2560	Decal - Belt Routing	1
14	69-6960	Spacer - Idler	4	40	43-8480	Decal - Danger	1
15	63-1540	Pulley - Idler	3	41	13-4969	Deck - Center (Incl. Ref. #20, 28, 33, 39, 40 & 57)	1
16	325-7	Screw - Cap Hex. Hd.	1	42	3233-27	Bolt - Carriage	1
17	69-9290	Pad - Bumper	2	43	69-6490	Plate - Tension	1
18	32108-103	Screw - Flat Hd.	4	44	77-2830	Rod - Spring	1
19	32128-20	Nut - Lock	4	45	3272-7	Pin - Cotter	1
20	302-2	Fitting - Grease	1	47	69-6890	Spacer - Spring	1
21	32120-72	Ring - Retaining	1	48	86-7480	Spring - Compression	1
22	256-188	Bushing - Sleeve	1	49		Screw - Set	2
23	69-6610	Arm - Idler (Incl. Ref. #22)	1	50	23-1640	Bushing - Taper Lock (Incl. Ref. #49)	1
24	325-8	Screw - Cap Hex. Hd.	1	51	63-0660	Pulley - Drive	1
25	69-5430	Pulley - Idler	1	52	69-6390	Plate - Gearbox	1
26	69-6970	Spacer - Idler	1				



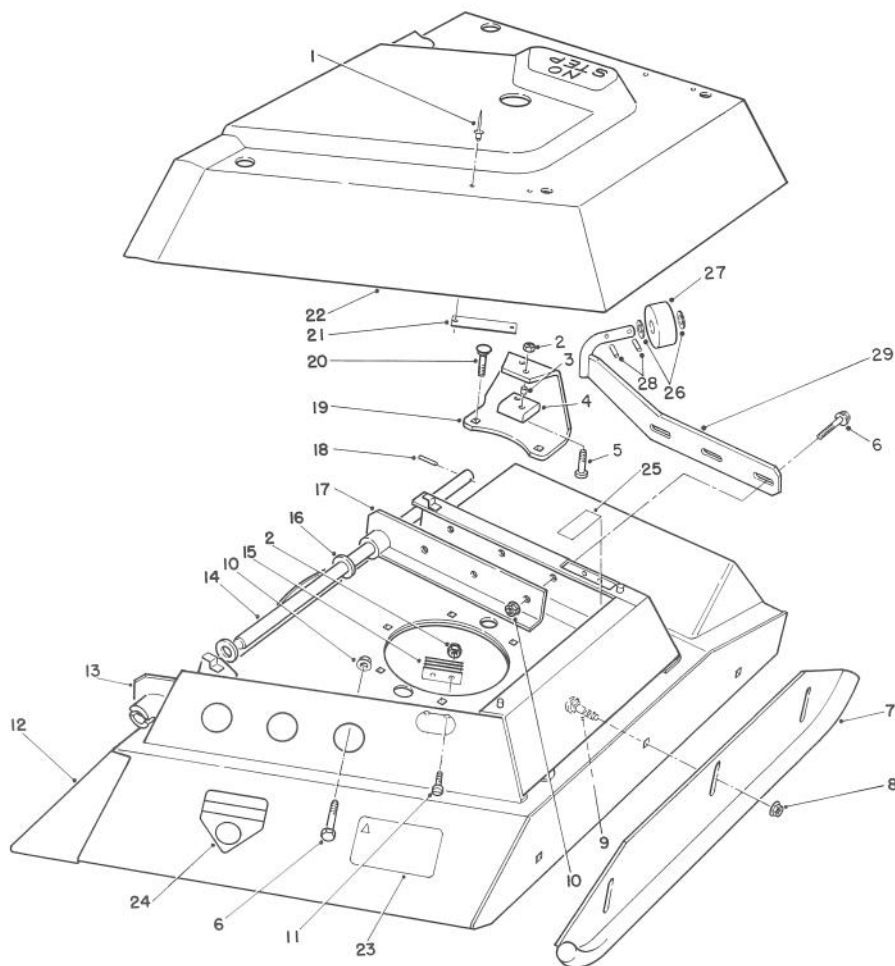
T-0361C

## CENTER DECK MODEL NO. 30592 (Continued)

Ref. No.	Part No.	Description	No. Used
53	3234-12	Screw - Hex. Flange Hd.	4
54	69-6790	Cover - Center Right	1
55	85-6450	Retainer - Belt	1
56	71-4260	Decal - H.O.C.	1
57	69-0820	Decal - H.O.C.	1

Ref. No.	Part No.	Description	No. Used
58	3-6498	Washer - Flat	1
59	3233-30	Bolt - Carriage	1
*	69-6220	Hex.-Belt - Deck Drive	1
*	3290-378	Tie - Cable	2

\*Not Illustrated



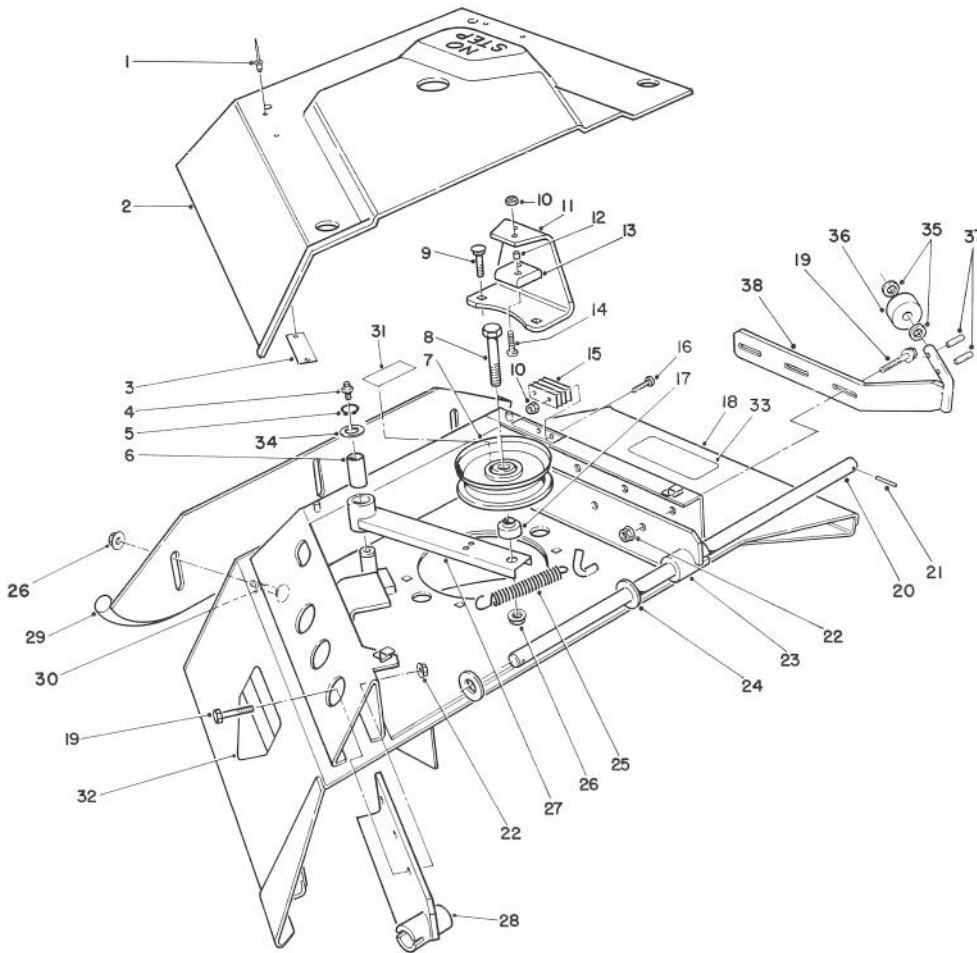
T-0366-90

## CENTER DECK MODEL NO. 30592 LEFT WING ASSEMBLY

Ref. No.	Part No.	Description	No. Used
1	3269-25	Rivet - Pop	4
2	3296-2	Nut - Lock	6
3	40-9520	Spacer - Split	2
4	40-0330	Cushion - Rubber	1
5	3250-27	Screw - Truss Hd.	2
6	323-6	Screw - Cap Hex. Hd.	6
7	69-6730	Skid	1
8	32128-23	Nut - Flange Lock	3
9	3233-9	Bolt - Carriage	3
10	32128-21	Nut - Flange Lock	6
11	32105-1	Screw - Machine	4
12	13-4989	Deck - Left Wing (Incl. Ref. #23-25)	1
13	69-6640	Hinge - Left Front	1
14	69-6900	Shaft - Hinge	1
15	69-6260	Magnet - Cover	2

Ref. No.	Part No.	Description	No. Used
16	256-305	Washer - Thrust	2
17	69-6670	Hinge - Left Rear	1
18	32121-6	Pin - Roll	2
19	69-6910	Bracket - Support	1
20	3231-25	Bolt - Carriage	2
21	69-6870	Plate - Magnet	2
22	69-6850	Cover - Left Wing	1
23	66-1340	Decal - Danger	1
24	43-8480	Decal - Danger	1
25	67-5360	Decal - Danger	1
26	3256-69	Washer	2
27	82-4910	Roller	1
28	32121-4	Pin - Roll	2
29	88-9270	Bracket - Roller LH	1
*	76-2060	V-Belt	1
*	42-6200	Shim - Cushion	A/R

\*Not Illustrated



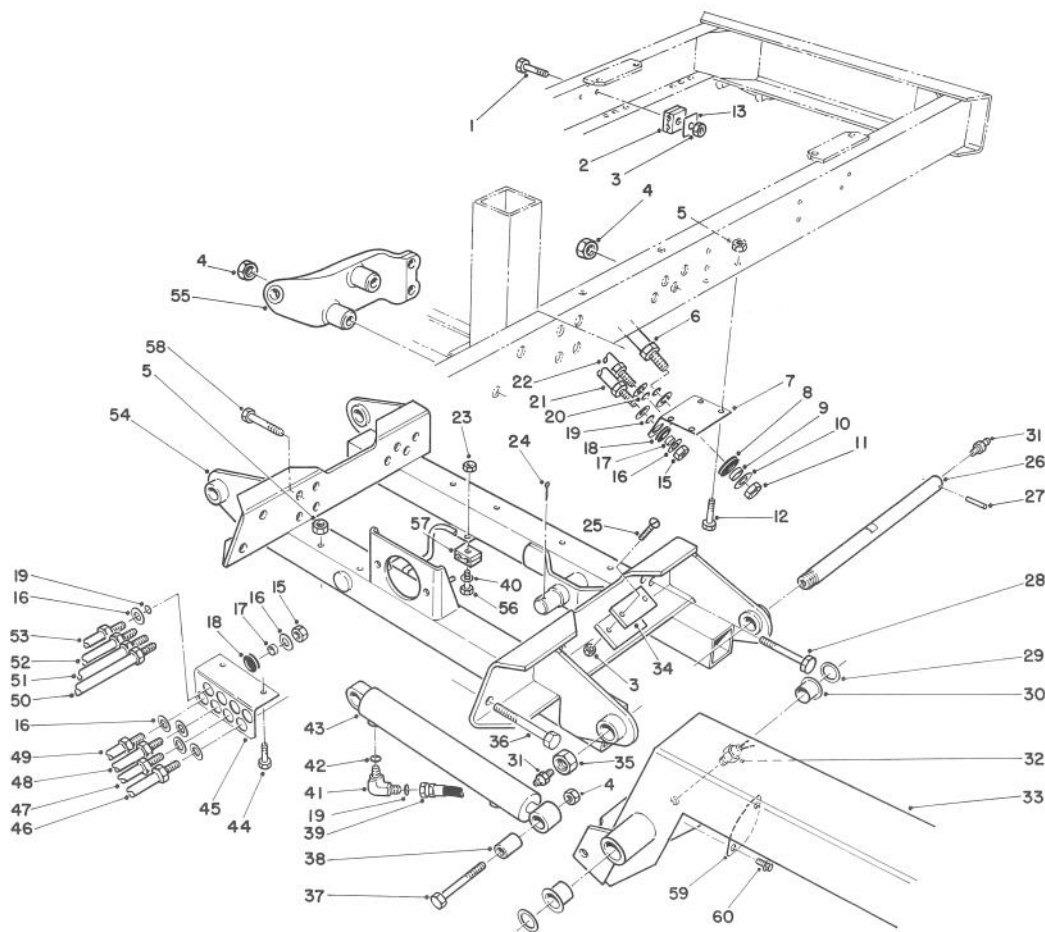
T-0365-90

## CENTER DECK MODEL NO. 30592 RIGHT WING ASSY.

Ref. No.	Part No.	Description	No. Used
1	3269-25	Rivet - Pop	4
2	69-6840	Cover - Right Wing	1
3	69-6870	Plate - Magnet	2
4	302-2	Fitting - Grease	1
5	32120-72	Ring - Retaining	1
6	256-188	Bushing - Sleeve	1
7	69-5430	Pulley - Idler	1
8	325-8	Screw - Cap Hex. Hd.	1
9	3231-25	Bolt - Carriage	2
10	3296-2	Nut - Lock	6
11	69-6910	Bracket - Support	1
12	40-9520	Spacer - Split	2
13	40-0330	Cushion - Rubber	1
14	3250-27	Screw - Truss Hd.	2
15	69-6260	Magnet - Cover	2
16	32105-1	Screw - Machine	4
17	69-6970	Spacer - Idler	1
18	13-4979	Right Wing Deck Assembly (Incl. Ref. #4, 32 & 33)	1
19	323-6	Screw - Cap Hex. Hd.	6
20	69-6900	Shaft - Hinge	1

Ref. No.	Part No.	Description	No. Used
21	32121-6	Pin - Roll	2
22	32128-21	Nut - Flange Lock	6
23	69-6710	Hinge - Right Rear	1
24	256-305	Washer - Thrust	2
25	76-1670	Spring - Extension	1
26	32128-23	Nut - Flange Lock	4
27	69-6610	Idler Arm Assembly (Incl. Ref. #6)	1
28	69-6690	Hinge - Right Front	1
29	69-6730	Skid	1
30	3233-9	Bolt - Carriage	3
31	67-5360	Decal - Danger	1
32	43-8480	Decal - Danger	1
33	66-1340	Decal - Danger	1
34	3-6498	Washer	1
35	3256-69	Washer	2
36	82-4910	Roller	1
37	32121-4	Pin - Roll	2
38	88-9260	Bracket - Roller RH	1
*	76-2060	V-Belt	1
*	42-6200	Shim - Cushion	A/R

\*Not Illustrated



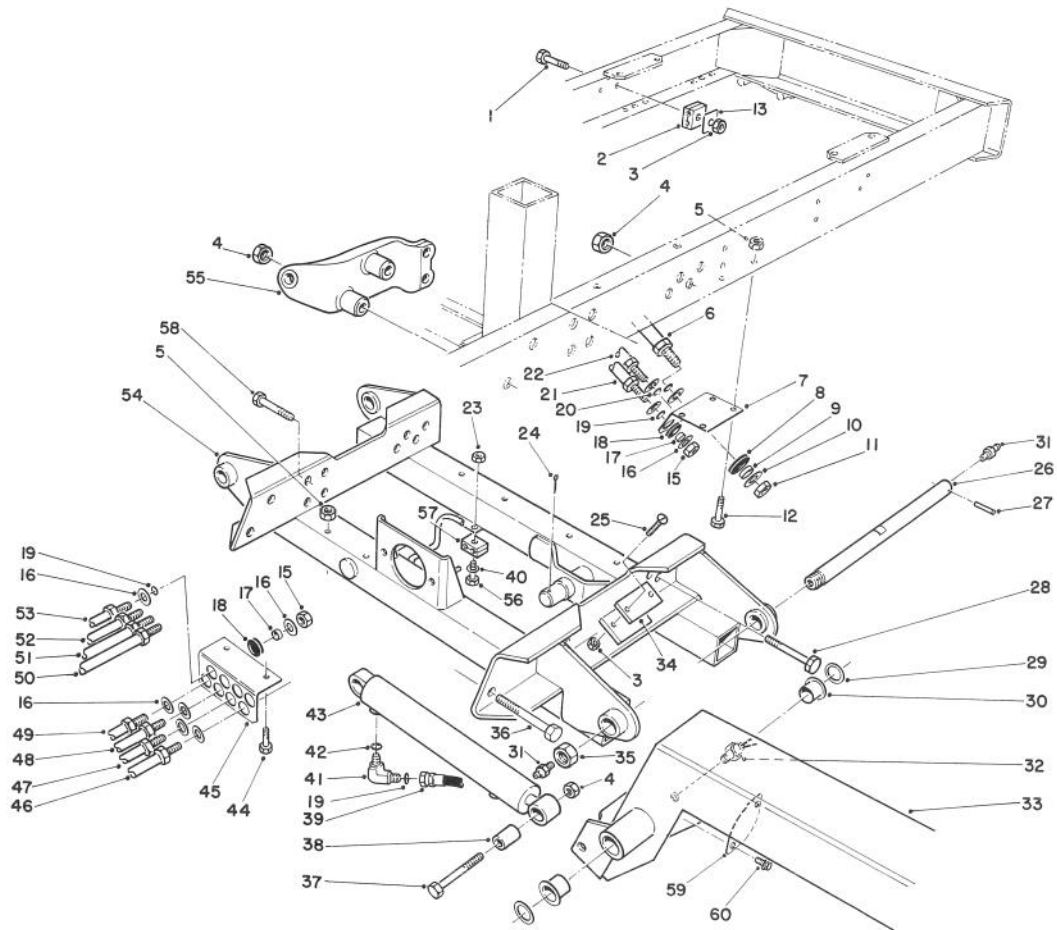
T-0348A

## WING DECK LIFT ASSEMBLY

Ref. No.	Part No.	Description	No. Used
1	322-11	Screw - Cap Hex. Hd.	1
2	56-7974	Clamp Half - Hydraulic Line	2
3	32152-1	Nut - Lock	5
4	32153-6	Nut - Lock	22
5	32152-2	Nut - Lock	6
6	69-6170	Tube - Hydraulic L.H. (Incl. Ref. #20)	1
*	69-6140	Tube - Hydraulic R.H. (Incl. Ref. # 20)	1
7	69-9450	Bracket - Wing Hose L.H.	1
*	69-9460	Bracket - Wing Hose R.H.	1
8	240-3	Grommet	4
9	69-9000	Spacer	4
10	69-9010	Washer	8
11	340-74	Nut - Bulkhead	4
12	323-6	Screw - Cap Hex. Hd.	4
13	69-9761	Plate - Cover	1
15	340-70	Nut - Bulkhead	10
16	69-8940	Washer	20
17	69-8970	Spacer	10
18	240-4	Grommet	10
19	237-22	Seal - O-Ring	14
20	237-65	Seal - O-Ring	4
21	69-5980	Tube - Hydraulic L.H. (Incl. Ref. #19)	1
*	69-5970	Tube - Hydraulic R.H. (Incl. Ref #19)	1

\*Not Illustrated

Ref. No.	Part No.	Description	No. Used
22	69-6180	Tube - Hydraulic L.H. (Incl. Ref. #20)	1
*	69-6150	Tube - Hydraulic R.H. (Incl. Ref. #20)	1
23	32152-4	Nut Lock	3
24	3272-33	Pin - Cotter	2
25	32108-103	Screw - Machine Flat Hd.	4
26	71-2580	Shaft - Lift Arm Pivot	2
27	32121-110	Pin - Roll	2
28	328-26	Screw - Cap Hex. Hd.	12
29	256-304	Washer - Thrust	4
30	69-6470	Bushing - Flange	4
31	302-2	Fitting - Grease	4
32	72-4310	Switch - Lift	2
33	71-0160	Lift Arm Assembly L.H. (Incl. Ref. #30-31)	1
*	71-0150	Lift Arm Assembly R.H. (Incl. Ref. #30-31)	1
34	69-9300	Cushion - Rubber	2
35	3296-68	Nut Lock	2
36	328-8	Screw - Cap Hex. Hd.	4
37	328-10	Screw - Cap Hex. Hd.	2
38	69-9190	Bushing - Cylinder	2
39	69-5490	Hose - Cylinder	4
40	3256-56	Washer - Flat	3
41	340-77	Fitting - Hydraulic Elbow (Incl. Ref. #19 & 42)	4

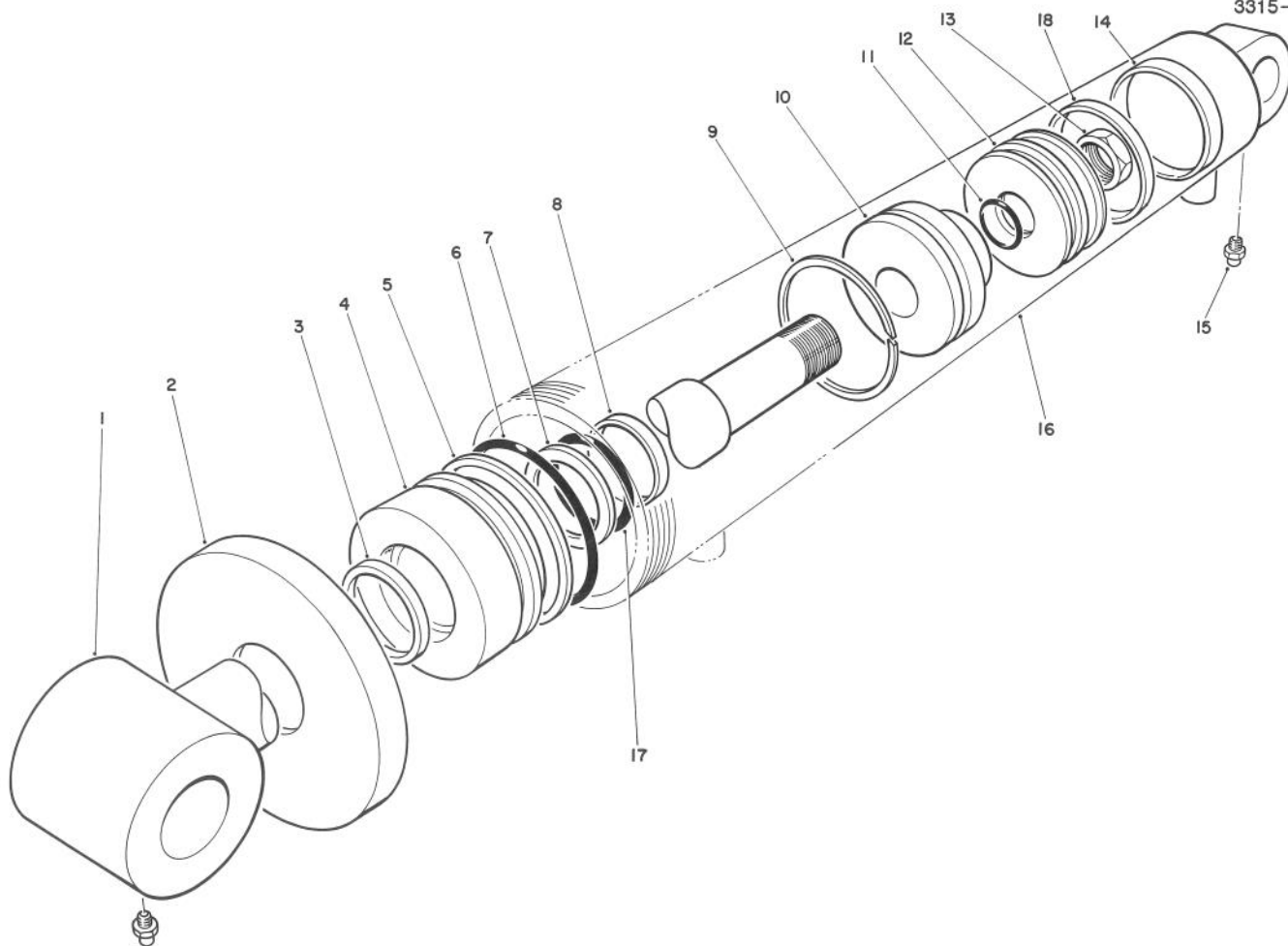


T-0348A

### WING DECK LIFT ASSEMBLY (Continued)

Ref. No.	Part No.	Description	No. Used	Ref. No.	Part No.	Description	No. Used
42	237-42	Seal - O-Ring	4	51	69-6050	Tube - Hydraulic (Incl. Ref. #19)	1
43	74-2170	Cylinder - Lift	2	52	69-6080	Tube - Hydraulic (Incl. Ref. #19)	1
44	323-15	Screw - Cap Hex. Hd.	2	53	69-5990	Tube - Hydraulic (Incl. Ref. #19)	1
45	74-2680	Bracket - Bulkhead	1	54	69-4400	Carrier - Wing Deck	1
46	69-6030	Tube - Hydraulic (Incl. Ref. #19)	1	55	69-1580	Anchor - Latch L.H.	1
47	69-6060	Tube - Hydraulic (Incl. Ref. #19)	1	*	69-1600	Anchor - Latch R.H.	1
48	69-6070	Tube - Hydraulic (Incl. Ref. #19)	1	56	321-9	Screw - Cap Hex. Hd.	3
49	69-6000	Tube - Hydraulic (Incl. Ref. #19)	1	57	56-7973	Clamp Half - Hydraulic Line	6
50	69-6040	Tube - Hydraulic (Incl. Ref. #19)	1	58	328-24	Screw - Cap Hex. Hd.	4
				59	39-7650	Plate - Cover	2
				60	32144-11	Screw - Thread Forming	4
				*	3290-378	Tie - Cable	3

\*Not Illustrated



T-0959A

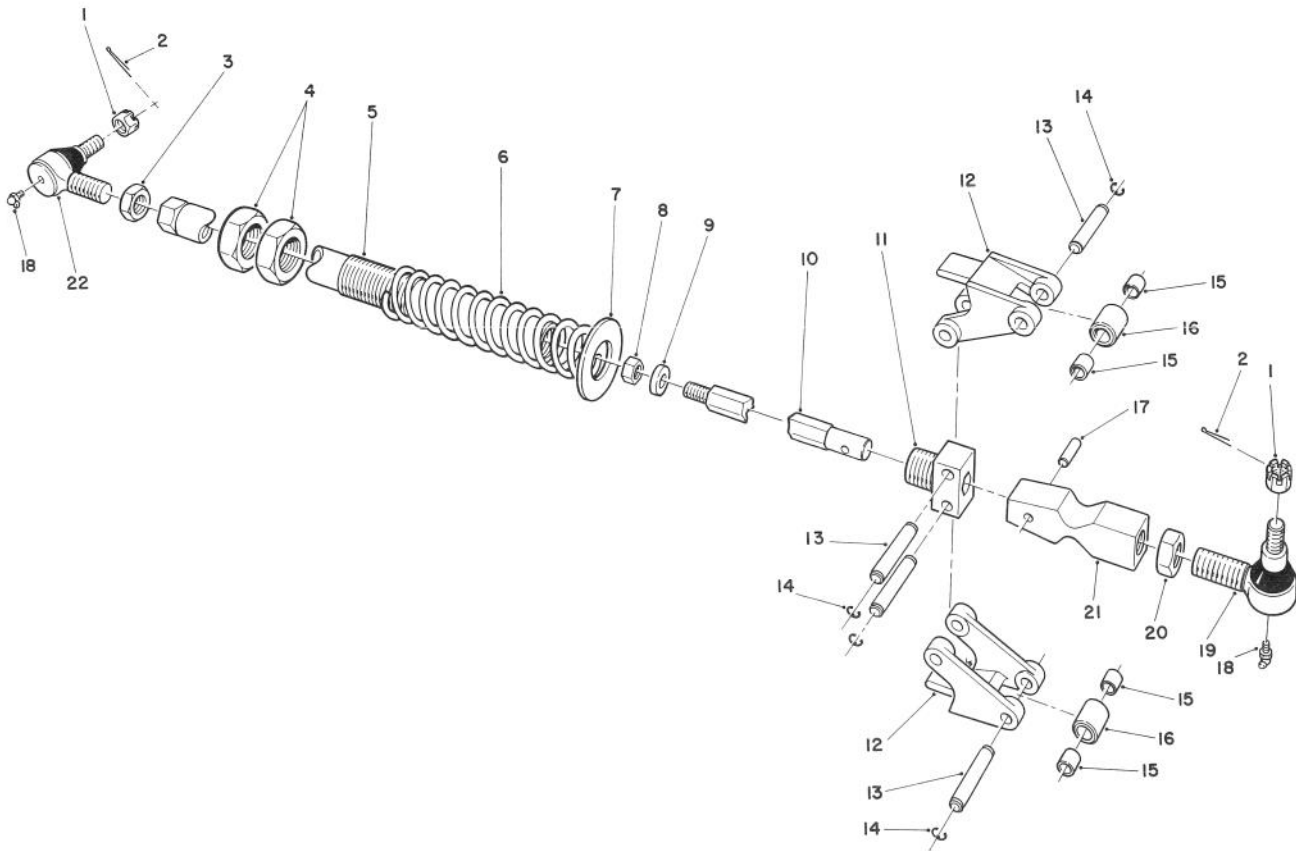
## HYDRAULIC CYLINDER ASSEMBLY NO. 74-2170

Ref. No.	Part No.	Description	No. Used
1	74-2230	Shaft/Clevis	1
2	74-2220	Collar	1
†3		Seal - Dust	1
4	74-2200	Head	1
†5		Ring - Back-Up	1
†6		Seal - O-Ring	1
†7		Ring - Back-Up	1
†8		Ring - Wear	1
9	74-2180	Ring - Steel	1
10	74-2190	Cushion	1

Ref. No.	Part No.	Description	No. Used
†11		Uni-Ring	1
12	74-2210	Piston	1
13	60-9760	Nut - Lock	1
†14		Ring - Wear	1
15	302-5	Fitting - Grease	2
†16		Barrel/Clevis	1
†17		Seal - O-Ring	1
18		Seal - Uni-Ring	1
*	86-7350	Seal Repair Kit (Incl. Ref. #3, 5-8, 11, 14 & 17)	1

\*Not Illustrated

†Not serviceable separately.

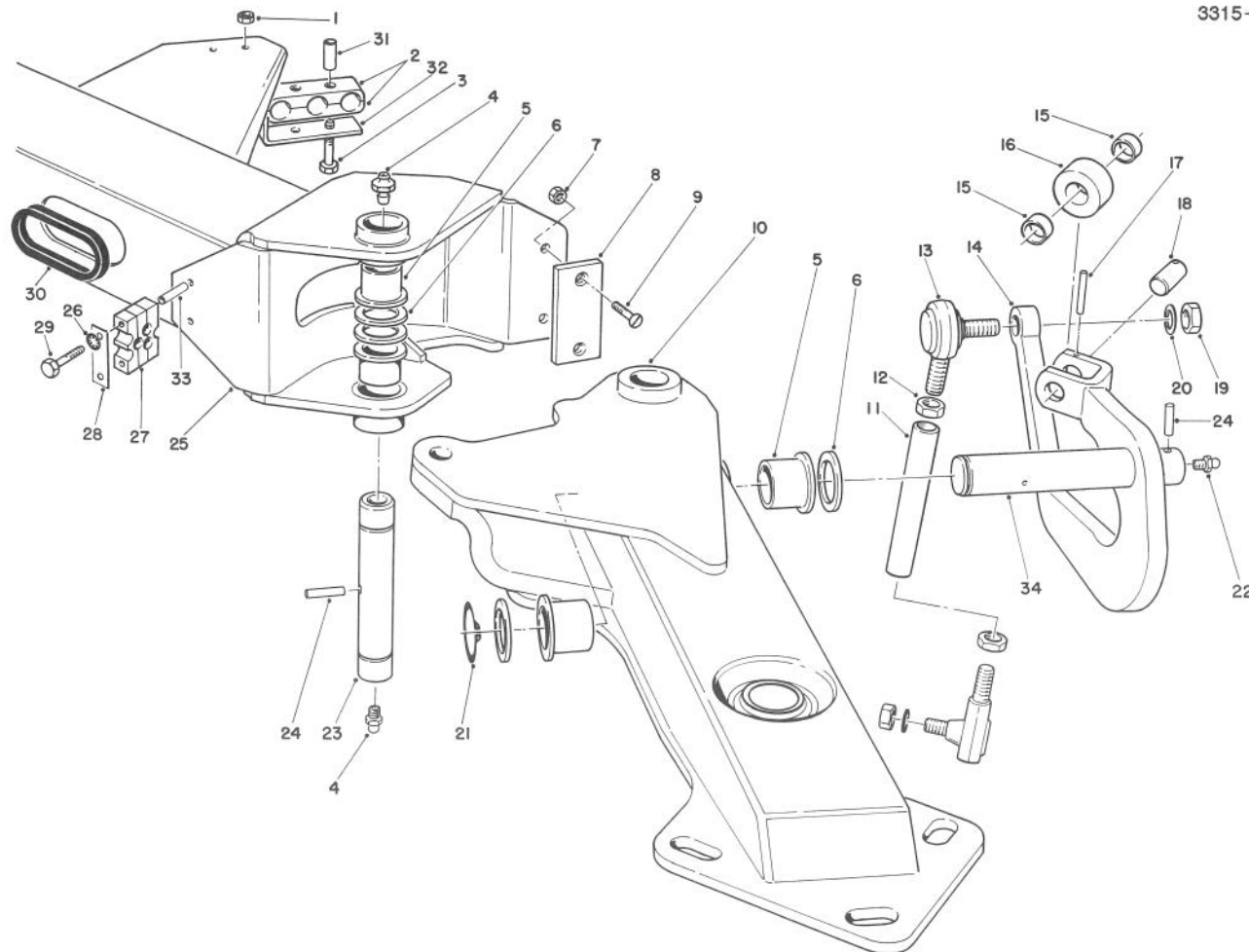


T-0369-90

## WING DECK LATCH ASSEMBLY

Ref. No.	Part No.	Description	No. Used
1	32136-2	Nut - Castle	4
2	3272-12	Pin - Cotter	4
3	21-3001	Nut - Jam L.H. Thread	2
4	3220-22	Nut - Jam	4
5	69-7210	Tube - Latch	2
6	69-8480	Spring - Compression	2
7	69-9100	Washer - Latch	2
8	3296-41	Nut - Lock	2
9	71-2550	Washer - Latch Shaft	2
10	69-9680	Shaft - Latch	2
11	69-9690	Block - Latch Pivot	2
12	69-1630	Arm - Latch Pivot	4

Ref. No.	Part No.	Description	No. Used
13	69-9080	Pin - Latch	8
14	32120-47	Ring - Retaining	16
15	256-172	Bearing - Sleeve	8
16	69-9090	Roller - Latch	4
17	32121-49	Pin - Roll	2
18	302-33	Fitting - Grease	4
19	86-8100	Joint - Ball (Incl. Ref. #1 & 18)	2
20	21-3000	Nut - Jam	2
21	69-9670	Cam - Spring Trip	2
22	86-8101	Joint - Ball (Incl. Ref. #1 & 18)	2

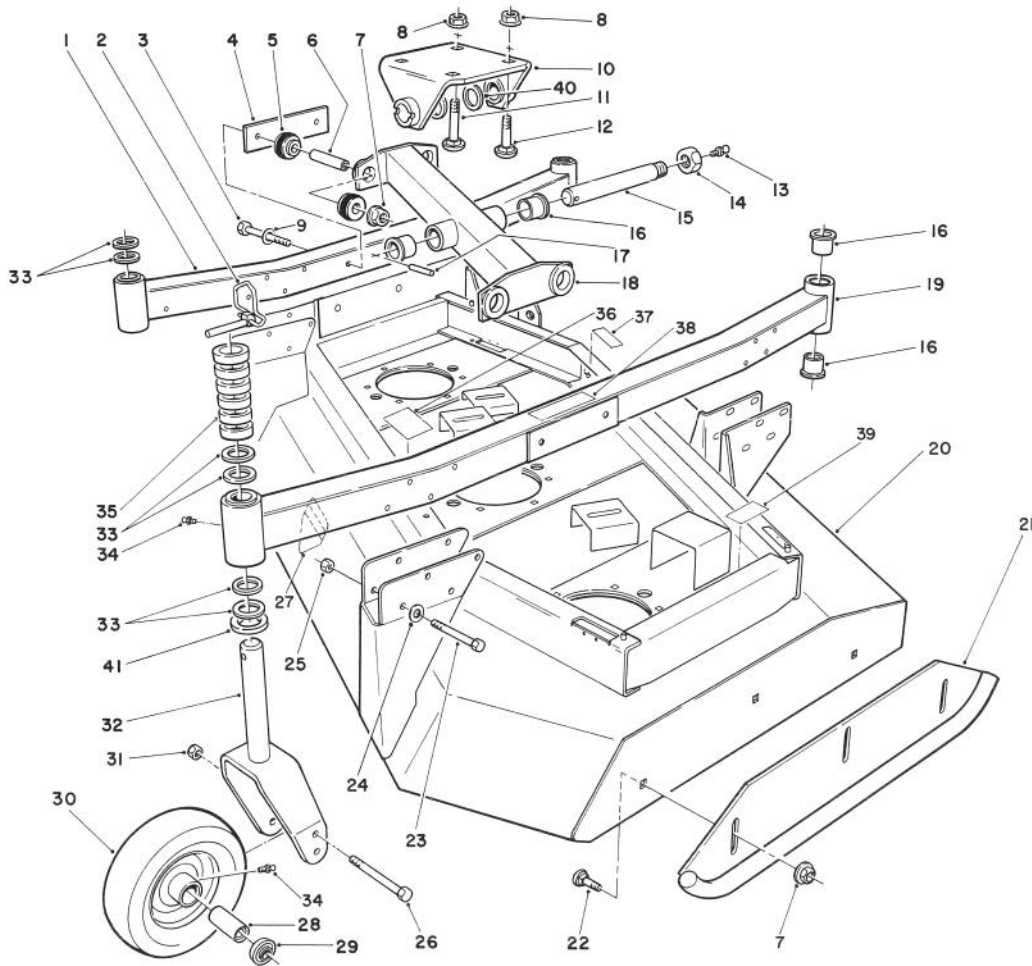


T-0370B

## WING DECK LIFT ARM ASSEMBLY

Ref. No.	Part No.	Description	No. Used	Ref. No.	Part No.	Description	No. Used
1	32152-4	Nut - Lock	4	18	69-9250	Shaft - Roller	2
2	74-2710	Clamp Half - Hydraulic Line	4	19	3219-7	Nut - Lock	4
3	321-15	Screw - Cap Hex. Hd.	4	20	3253-9	Washer - Lock	4
4	302-2	Fitting - Grease	4	21	32151-10	Ring - Retaining	2
5	69-6470	Bushing - Flange	8	22	302-5	Fitting - Grease	2
6	256-304	Washer - Thrust	8	23	71-2620	Shaft - Lift Arm Elbow	2
7	32152-1	Nut - Lock	4	24	32121-110	Pin Roll	4
8	69-9300	Cushion - Rubber	2	25	71-0160	Lift Arm Assembly L.H. (Incl. Ref. #5)	1
9	32108-103	Screw - Machine Flat Hd.	4	*	71-0150	Lift Arm Assembly R.H. (Incl. Ref. #5)	1
10	71-0180	Arm - Outer Lift L.H. (Incl. Ref. #5)	1	26	3254-8	Washer	4
*	71-0170	Arm - Outer Lift R.H. (Incl. Ref. #5)	1	27	82-8170	Clamp - Hose	6
11	71-2600	Tube - Anti - Sway	2	28	71-4100	Plate - Clamp	2
12	3220-7	Nut - Jam	4	29	321-19	Screw - Cap Hex. Hd.	4
13	2411-40	Joint - Ball	4	30	240-8	Grommet	4
14	82-7930	Arm - Anti-Sway L.H.	1	31	74-2730	Tube - Clamp	4
*	82-7940	Arm - Anti-Sway R.H.	1	32	74-2750	Retainer - Clamp	2
15	256-76	Bushing - Sleeve	4	33	82-8160	Spacer	4
16	69-9240	Roller - Cam	2	34	82-7900	Shaft - Arm	2
17	32121-34	Pin - Roll	2				

\*Not Illustrated



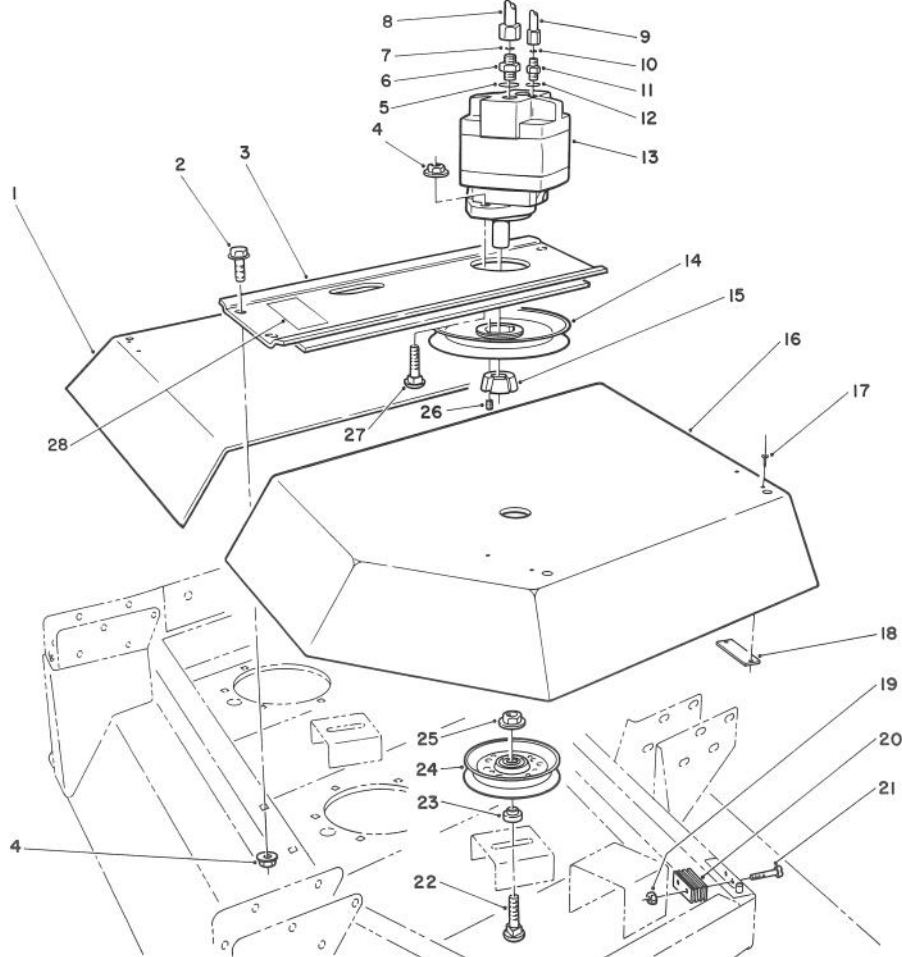
T-0335A

## WING DECK MODEL NO 30591 L.H. & 30593 R.H.

Ref. No.	Part No.	Description	No. Used
1	69-8830	Arm - Inside Castor (Incl. Ref. #16 & 34)	2
2	3290-384	Pin - Lynch	8
3	325-20	Screw - Cap Hex. Hd.	8
4	69-8790	Plate - Reinforcing	2
5	69-9700	Mount - Rubber (Incl. Ref. #6)	8
6		Spacer	8
7	32128-23	Nut - Flange Lock	20
8	32128-45	Nut - Lock	8
9	30-8770	Washer - Flat	8
10	69-7170	Clevis - Deck	2
11	3233-29	Bolt - Carriage	2
12	3233-28	Bolt - Carriage	6
13	302-2	Fitting - Grease	2
14	3296-68	Nut - Lock	2
15	71-2610	Shaft - Deck Pivot	2
16	69-6470	Bushing - Flange	20
17	32121-110	Pin - Roll	2
18	69-6420	Bar - Lift L.H. (Incl. Ref. #16)	1
*	69-6480	Bar - Lift R.H. (Incl. Ref. #16)	1
19	13-5059	Arm - Outside Castor (Incl. Ref. #16, 34 & 41)	2

Ref. No.	Part No.	Description	No. Used
20	13-5009	Deck - Wing L.H. (Incl. Ref. #27, 36, 37 & 39)	1
*	13-4999	Deck - Wing R.H. (Incl. Ref. #27, 36, 37 & 39)	1
21	69-6730	Skid	4
22	3233-9	Bolt - Carriage	12
23	323-15	Screw - Cap Hex. Hd.	32
24	5-0838	Washer - Flat	32
25	32128-43	Nut - Lock	32
26	327-17	Screw Cap Hex. Hd.	8
27	43-8480	Decal - Danger	2
28	251-332	Spacer - Bearing	8
29	251-321	Bearing - Castor	16
30	92-1654	Castor Wheel Assembly (Incl. Ref. #28, 29 & 34)	8
31	3296-53	Nut - Lock	8
32	75-9670	Fork - Castor	8
33	69-6860	Washer - Thrust	28
34	302-5	Fitting - Grease	16
35	69-1510	Spacer - Castor	48
36	69-0890	Decal - Belt Routing L.H.	1
*	69-0900	Decal - Belt Routing R.H.	1
37	66-1340	Decal - Danger	2
38	69-0880	Decal - Torque	2
39	67-5360	Decal - Danger	4
40	256-304	Washer - Thrust	4
41	77-0950	Washer - Castor	8

\*Not Illustrated

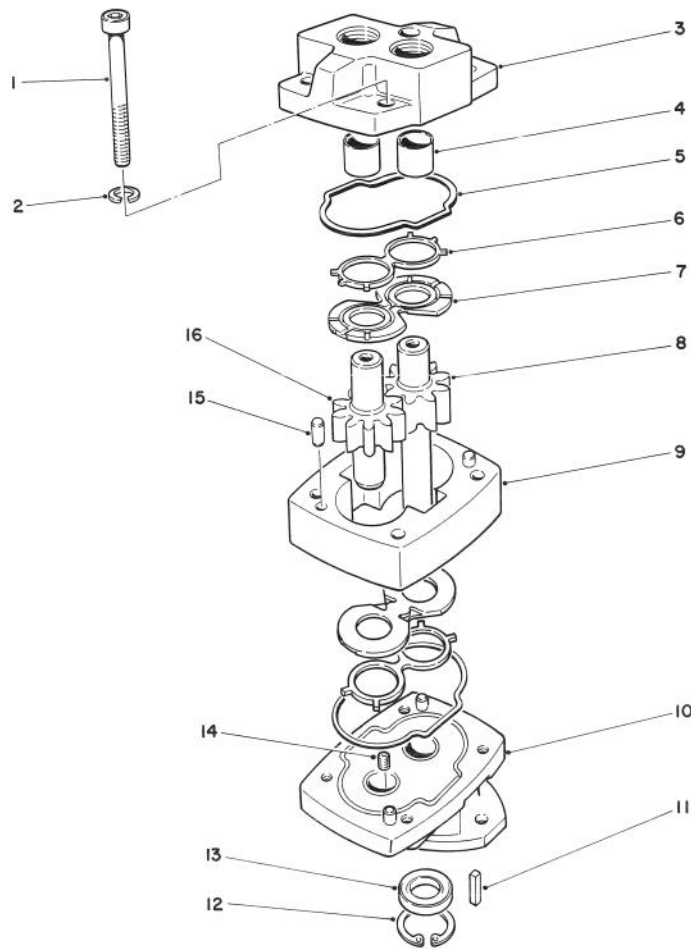


T-0336-90

## WING DECK MODEL NO. 30591 L.H. & 30593 R.H. DRIVE ASSEMBLY

Ref. No.	Part No.	Description	No. Used	Ref. No.	Part No.	Description	No. Used
1	69-6800	Cover - Inner L.H.	1	15	23-1640	Bushing - Taper Lock (Incl. Ref. #26)	2
*	69-6820	Cover - Inner R.H.	1	16	69-6810	Cover - Outer L.H.	1
2	3234-12	Screw - Hex. Washer Hd.	8	*	69-6830	Cover - Outer R.H.	1
3	69-6360	Plate - Motor Mounting L.H.	1	17	3269-25	Rivet - Pop	16
*	69-6340	Plate - Motor Mounting R.H.	1	18	69-6870	Plate - Magnet	8
4	32128-21	Nut - Flange Lock	12	19	3296-2	Nut - Lock	16
5	237-81	Seal - O-Ring	4	20	69-6260	Magnet - Cover	8
6	340-8	Fitting - Hydraulic Straight (Incl. Ref. #5 & 7)	4	21	32105-1	Screw - Pan Hd.	16
7	237-65	Seal - O-Ring	4	22	3233-30	Bolt - Carriage	6
8	88-9360	Hose - Hydraulic	4	23	69-6960	Spacer - Idler	6
9	88-9370	Hose - Hydraulic	2	24	63-1540	Pulley - Idler	6
10	237-22	Seal - O-Ring	2	25	32128-23	Nut - Flange Lock	6
11	340-2	Fitting - Hydraulic Straight (Incl. Ref. # 10 & 12)	2	26		Screw - Set	4
12	237-42	Seal - O-Ring	2	27	3231-28	Bolt - Carriage	4
13	69-2780	Motor - Hydraulic	2	28	71-4260	Decal - H.O.C.	2
14	63-0660	Pulley - Wing Deck Drive	2	*	76-2060	V-Belt	6
				*	3290-378	Tie - Cable	24

\*Not Illustrated



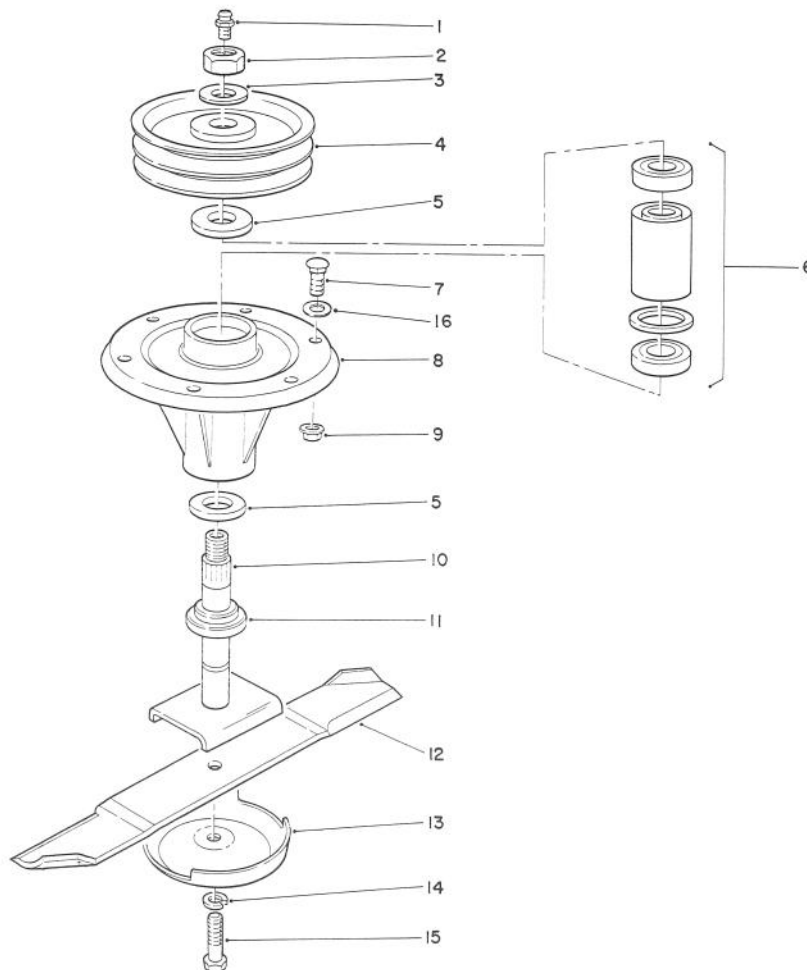
T-0386-90

## HYDRAULIC MOTOR ASSEMBLY NO. 69-2780

Ref. No.	Part No.	Description	No. Used	Ref. No.	Part No.	Description	No. Used
1	69-2890	Screw - Hex. Socket Hd.	4	10	69-2790	Body Assembly (Incl. Ref. #4 & 14)	1
2	69-2910	Washer	4	11	69-2880	Key - Square	1
3	69-2800	Cover Assembly (Incl. Ref. #4)	1	12	69-2930	Ring - Retaining	1
†4		Bushing - Sleeve	4	13	69-2860	Seal - Oil	1
5	69-2920	Seal - Square	2	14	69-2900	Plug - Pipe	2
6	69-2850	Seal - Load	2	15	69-2870	Pin - Dowel	4
7	69-2840	Plate - Wear	2	16	69-2820	Shaft/Gear - Idler	1
8	69-2830	Shaft/Gear - Drive	1	*	69-2940	Repair Kit (Incl. Ref. #5, 6 & 13)	1
9	69-2810	Plate - Gear	1				

\*Not Illustrated

†Not serviced separately.

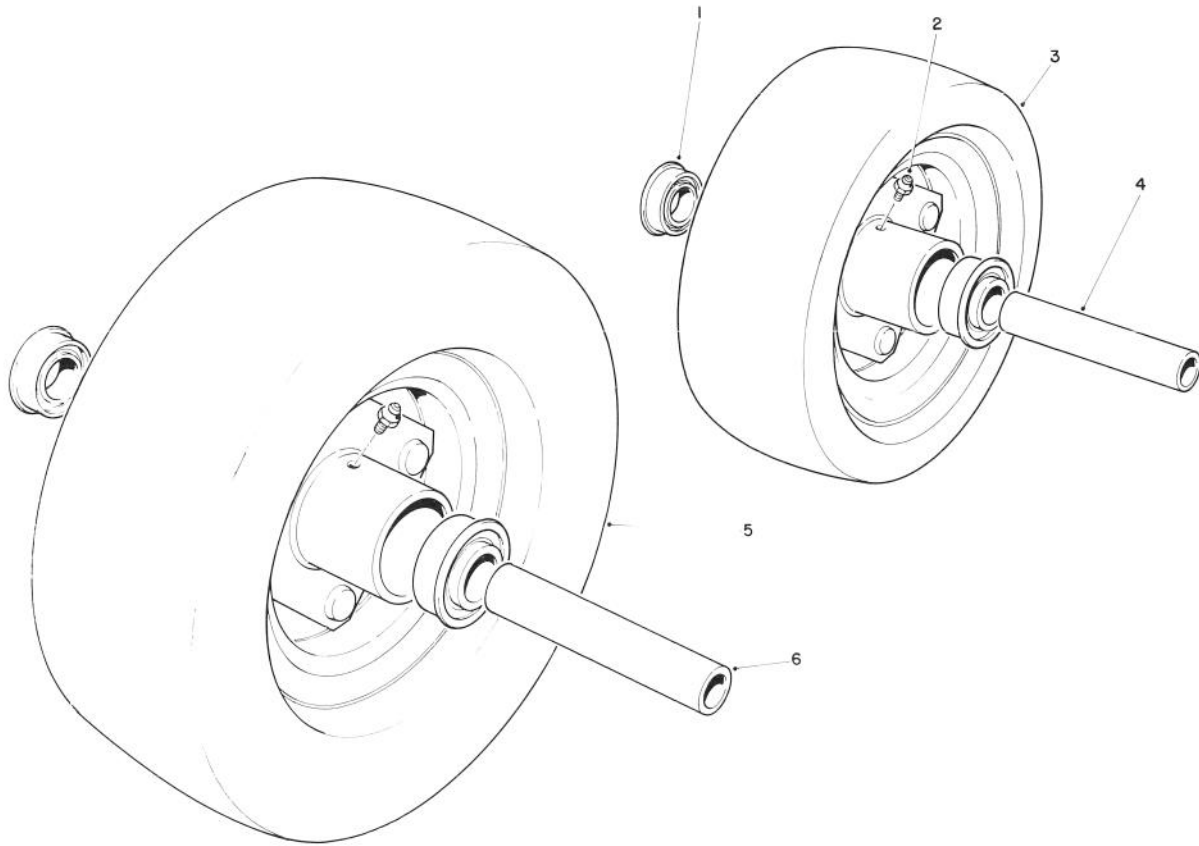


T-0337-90

### SPINDLE ASSEMBLY

Ref. No.	Part No.	Description	No. Used	Ref. No.	Part No.	Description	No. Used
1	302-2	Fitting - Grease Str.	1	8	69-1530	Housing - Spindle	1
*	302-10	Fitting - Grease 45° (Used only on wing deck center & inside spindles)	1	9	32128-21	Nut - Flange Lock	6
2	3296-49	Nut - Lock	1	10	69-6760	Shaft - Spindle	1
3	3-8514	Washer	1	11	69-6950	Spacer - Spindle	1
4	69-8390	Pulley - Spindle	1	12	69-6920	Blade - 20"	1
5	253-154	Seal - Wave	2	13	67-7561	Cup - Anti Scalp	1
6	71-2530	Bearing Assembly	1	14	3253-8	Washer - Lock	1
7	3231-22	Bolt - Carriage	6	15	51-4060	Bolt - Blade	1
				16	3256-24	Washer - Flat	A/R

\*Not Illustrated



T-0992-90

### 10" & 13" SEGMENTED TIRE ASSEMBLIES (Optional)

Ref. No.	Part No.	Description	No. Used
1	251-321	Bearing - Ball	2
2	302-5	Fitting - Grease	1
3	76-1880	10" Segmented Tire Assy. (Incl. Ref. #1, 2 & 4)	1

Ref. No.	Part No.	Description	No. Used
4	251-332	Spacer - Inner	1
5	76-1890	13" Segmented Tire Assy. (Incl. Ref. #1, 2 & 6)	1
6	251-333	Spacer - Inner	1

# TORO PART NUMBER INDEX

3315-624

Part No.	Description	Pg. No.	Ref. No.	Qty.	Part No.	Description	Pg. No.	Ref. No.	Qty.
3-2858	Disc - Friction	15	2	1	40-4080	Track - U	3	6	1
3-3251	Spring - Compression	4	45	1	40-4090	Rivet - Pop	3	5	2
3-3710	Tie Rod Assembly	71	39	1	40-4120	Plate - Rubber	3	7	1
3-6498	Washer	80	34	1	40-4150	Roller	3	11	1
3-6498	Washer - Flat	78	58	1	40-4160	Guide - Sleeve	3	12	1
3-8514	Washer	89	3	1	40-4230	Plug	3	17	1
3-8596	Spring - Compression	15	12	1	40-4310	Bearing - Thrust Needle	3	25	1
5-0838	Washer - Flat	76	18	16	40-4340	Spring - Extension	3	28	1
5-0838	Washer - Flat	86	24	32	40-4350	Spring - Extension	3	29	2
5-3177	Washer - Flat	19	7	1	40-4360	Plate	3	30	1
5-3177	Washer - Flat	20	7	4	40-4370	Bolt	3	31	1
5-3637	Spacer - Terminal	19	4	1	40-4380	Bracket - Release	3	32	2
5-3637	Washer - Flat	44	13	1	40-9520	Spacer - Split	80	12	2
12-8900	Bolt - Shoulder	32	32	2	40-9520	Spacer - Split	79	3	2
13-4239	Shroud - Fan	40	9	1	41-8760	Gasket - Pump	33	49	1
13-4969	Deck - Center	77	41	1	42-1720	Field Core Coil Assembly	9	5	1
13-4979	Right Wing Deck Assembly	80	18	1	42-6200	Shim - Cushion	79	*	A/R
13-4989	Deck - Left Wing	79	12	1	42-6200	Shim - Cushion	80	*	A/R
13-4999	Deck - Wing R.H.	86	*	1	43-4000	Breaker - Circuit 40A	11	10	1
13-5009	Deck - Wing L.H.	86	20	1	43-5920	Washer - Lock	44	14	1
13-5059	Arm - Outside Castor	86	19	2	43-5970	Nut - Hex.	44	15	1
13-5069	Arm - Castor L.H.	76	30	1	43-6110	Plate - Clutch	9	9	1
17-7190	Spacer	42	23	4	43-6200	Spring - Compression	9	27	1
18-2770	Strap - Ground	68	23	1	43-6280	Button	13	10	2
19-1470	Bolt - Shoulder	77	13	4	43-6280	Button - Switch	14	12	2
20-4360	Tube - Spacer	74	16	2	43-6320	Collar - Locking	9	10	1
20-4840	Clamp - Exhaust	42	12	2	43-6420	Bezel	13	11	2
20-4840	Clamp - Tube	22	15	2	43-6420	Bezel - Switch	14	13	2
20-9500	Spacer	4	14	2	43-8480	Decal - Danger	79	24	1
21-0140	Joint - Ball	9	20	1	43-8480	Decal - Danger	86	27	2
21-1830	Spring - Extension	7	23	1	43-8480	Decal - Danger	80	32	1
21-2070	Yoke - End	32	8	2	43-8480	Decal - Danger	77	40	1
21-3000	Nut - Jam	84	20	2	44-2210	Body - Indicator Light	4	5	1
21-3000	Nut - Jam	74	38	2	44-2212	Body - Indicator Light	4	12	2
21-3001	Nut - Jam L.H. Thread	84	3	2	46-1600	Spacer	4	26	4
23-1640	Bushing - Taper Lock	77	50	1	46-3380	Bolt - Shoulder	40	23	2
23-1640	Bushing - Taper Lock	87	15	2	47-6990	Nut - Hex.	4	9	1
23-2140	Hose - Radiator Vent	40	7	1	48-6260	Coupling - Spring Centering	42	26	1
23-2270	Bushing - Rubber	9	15	1	48-7630	Screw	43	72	1
23-7250	Spacer	68	35	1	48-7710	Screw - Cap Hex. Hd.	33	10	8
23-7270	Nut - Lug	71	24	10	48-7780	Screw - Cap Hex. Hd.	2	15	4
25-2630	Ring - Back Up	37	63	1	48-7780	Screw - Cap Hex. Hd.	42	32	6
25-2630	Ring Back Up	36	47	1	48-7890	Nut - Hex.	43	73	1
27-2360	Switch - Ignition	14	16	1	48-7930	Nut - Lock	42	6	3
27-4720	Pin - Pivot, Seat	1	14	1	48-8070	Washer - Lock	42	2	16
27-4720	Pin - Pivot, Seat	2	19	1	48-8070	Washer - Lock	68	29	1
27-7120	Nut	65	3	1	48-9470	Screw - Cap Hex. Hd.	42	25	8
27-7220	Detergent - Element	65	*	1	48-9480	Screw - Cap Hex. Hd.	42	21	4
28-0380	Spacer	4	35	3	48-9570	Washer - Lock	42	7	3
28-3580	Ring - Back Up	36	44	1	48-9570	Washer - Lock	33	9	8
28-3590	Seal O-Ring	36	43	1	48-9590	Washer - Lock	42	22	16
29-6150	Spring - Leaf	33	43	1	49-0010	Washer	71	25	2
29-6163	Switch	25	77	1	49-0170	Seal Kit	5	*	1
29-6163	Switch - Micro	6	13	1	49-2500	Element Assembly	53	21	1
29-6163	Switch - Neutral	33	35	1	49-6170	Pad - Brake	7	4	1
29-6170	Leaf Spring Assembly	33	38	1	49-6171	Pad - Brake Pedal L.H.	6	19	1
30-8770	Washer - Flat	86	9	8	49-6172	Pad - Brake Pedal R.H.	6	*	1
30-8770	Washer - Flat	76	32	2	51-3150	Shim - Spring	34	60	A/R
31-0390	Washer - Friction	4	15	3	51-4060	Bolt - Blade	89	15	1
32-0140	Pin - Lynch	24	2	2	51-4910	Bolt	47	24	2
37-9560	Hose - Fuel	66	1	1	51-4910	Bolt	58	28	4
39-5710	Plug	2	13	21	51-4920	Bolt	48	1	1
39-7591	Thermo Switch Assembly	43	66	1	51-4950	Guide	49	18	8
39-7592	Switch - Temperature	42	5	1	51-5090	Plug	50	9	1
39-7592	Temperature Sending Unit	21	15	1	51-5260	Ring - Retaining	50	30	2
39-7650	Plate - Cover	82	59	2	51-5280	Cap	50	12	8
40-0330	Cushion - Rubber	79	4	1	51-5290	Cotter	50	13	16
40-0330	Cushion - Rubber	80	13	1	51-5300	Retainer	50	14	8
40-3890	Trim	2	14	2	51-5310	Seal	50	15	8
40-4010	Roller	3	1	4	51-5350	Cap	49	21	1
40-4060	Washer - Rubber	3	26	1	51-5460	Key	52	16	1
40-4070	Washer	3	24	3	51-5460	Key	50	26	1

\*Not Illustrated

# TORO PART NUMBER INDEX (Cont.)

Part No.	Description	Pg. Ref. No. No. Qty.	Part No.	Description	Pg. Ref. No. No. Qty.
51-5470	Plate	50 25 1	51-7690	Bearing	45 11 1
51-5500	Bushing No. 1	51 5 1	51-7720	Clutch Assy.	45 * 1
51-5510	Bushing - No. 2	51 26 1	51-7730	Gear Pinion Assembly	45 2 1
51-5520	Bushing - No. 3	51 27 1	51-7740	Retaining Ring Assembly	45 1 1
51-5580	Hanger	51 2 1	51-7750	Gear Assembly	45 * 1
51-5600	Cap	51 3 11	51-7760	Shaft Assembly	45 23 1
51-5640	Idler Shaft Assembly	51 36 1	51-7770	Gear - Pinion	45 22 1
51-5650	Pin	52 15 1	51-7780	Cover Assembly	45 21 1
51-5650	Pin	51 21 6	51-7790	Packing	45 20 2
51-5650	Pin	51 35 1	51-7830	Cover - Rear	45 16 1
51-5840	Washer	49 12 1	51-7840	Ring - Rubber	45 15 2
51-5850	Cover	48 15 1	51-7850	Nut Assembly	46 1 1
51-5860	Gasket	48 14 1	51-7870	Screw Set	46 4 1
51-5890	Oil Seal Assembly	54 17 1	51-7890	Screw Set	46 5 1
51-5950	Stud	54 2 2	51-7910	Rotor Assembly	46 10 1
51-5970	Nut	54 4 2	51-7930	Stator	46 18 1
51-6350	Gear	52 3 1	51-7950	Terminal Assembly	46 17 1
51-6390	Washer	58 29 4	51-7960	Regulator Assembly	46 16 1
51-6390	Washer	51 33 1	51-7970	Brush	46 15 2
51-6390	Washer - Lock	48 2 11	51-8270	Washer	51 29 1
51-6390	Washer - Lock	54 3 13	51-8280	Bolt	51 28 1
51-6390	Washer - Lock	44 9 2	51-8590	Washer	44 3 1
51-6390	Washer - Lock	58 9 2	51-8610	Washer - Lock	52 5 4
51-6390	Washer - Lock	47 14 2	51-8610	Washer - Lock	44 11 2
51-6390	Washer - Lock	47 18 4	51-8640	Bolt	44 8 2
51-6390	Washer - Lock	47 23 4	52-9230	Ring - Retaining	5 3 1
51-6390	Washer - Lock	53 27 4	52-9240	Bushing - Gland Seal	5 4 1
51-6400	Plate	48 7 1	52-9250	Needle Bearing Kit	5 * 1
51-6430	Bushing	48 10 1	52-9260	Screw - Set	5 1 1
51-6480	Cover	51 9 1	52-9270	Seat - Check Ball	5 24 1
51-6490	Gasket	51 10 1	52-9280	Ball - Check	5 22 1
51-6820	Washer	53 24 1	52-9290	Retainer - Check Ball	5 21 1
51-6830	Relief Valve Assembly	53 25 1	56-7971	Clamp Half - Hydraulic Line	27 26 2
51-6890	Gasket	49 14 1	56-7972	Clamp Half - Hydraulic Line	27 20 4
51-6890	Gasket - Plug	54 15 1	56-7973	Clamp Half - Hydraulic Line	27 19 20
51-6910	Nut	47 32 1	56-7973	Clamp Half - Hydraulic Line	25 44 4
51-6920	Washer - Lock	47 21 2	56-7973	Clamp Half - Hydraulic Line	82 57 6
51-6920	Washer - Lock	47 31 1	56-7974	Clamp - Hydraulic Lines	68 31 2
51-6940	Ring	47 28 1	56-7974	Clamp Half - Hydraulic Line	81 2 2
51-6950	Bearing	47 27 1	56-7974	Clamp Half - Hydraulic Line	27 17 2
51-6960	Key	47 3 1	56-7974	Clamp Half - Hydraulic Line	43 77 2
51-6980	Bearing	47 25 1	56-7975	Clamp Half - Hydraulic Line	27 25 8
51-7020	Nipple	47 6 1	56-7978	Clamp Half - Hydraulic Line	21 42 6
51-7030	Seal	47 10 1	58-3590	Pin - Flywheel	42 24 2
51-7170	Pipe	47 8 1	58-4250	Magnet	38 1 6
51-7200	Clamp	47 42 2	58-5620	Tube - Inner	28 * 1
51-7210	Gasket	47 2 2	58-6290	Poppet Assembly	17 34 3
51-7220	Gasket	47 38 1	58-6310	Spacer	17 28 3
51-7230	Thermostat	47 37 1	58-6320	Wiper - Seal	17 24 3
51-7250	Washer	55 1 4	58-6330	Seat Assy.	17 35 3
51-7250	Washer	55 6 16	58-6340	Seal - O-Ring	17 36 3
51-7250	Washer	51 8 2	58-6350	Plug Assembly	17 11 3
51-7250	Washer	53 9 3	58-6370	Washer - Back-Up	17 10 6
51-7250	Washer	51 38 1	58-6400	Bushing	17 25 3
51-7250	Washer - Lock	50 3 8	58-6420	Cap Assembly	17 30 3
51-7250	Washer - Lock	44 4 1	58-6440	Poppet	17 22 1
51-7250	Washer - Lock	49 4 2	58-6450	Seal - O-Ring	17 12 6
51-7250	Washer - Lock	54 8 28	58-6460	Ring - Retaining	17 29 3
51-7250	Washer - Lock	48 16 5	58-6470	Washer	17 18 A/R
51-7250	Washer - Lock	50 24 2	58-6480	Washer	17 19 A/R
51-7250	Washer - Lock	58 32 2	58-6490	Washer	17 20 A/R
51-7250	Washer - Lock	47 34 4	58-6700	Washer	17 26 3
51-7400	Washer	53 30 4	58-6710	Plug Assy.	17 6 1
51-7400	Washer - Lock	58 16 6	58-6720	Seal - O-Ring	17 7 1
51-7400	Washer - Lock	57 18 2	58-6730	Spring	17 27 3
51-7600	Screw Set	45 4 1	58-6750	Seal - O-Ring	17 17 1
51-7610	Packing	45 5 2	58-6760	Spring	17 3 3
51-7630	Seal - Oil	45 24 1	58-6770	Plunger - Detent	17 4 3
51-7640	Lever Assembly	45 7 1	58-6780	Plug Assy.	17 1 3
51-7650	Spring Assembly	45 8 1	58-6790	Seal - O-Ring	17 5 3
51-7660	Bracket Assembly Center	45 9 1	58-9160	Plug - Drain	20 18 1
51-7670	Solenoid	45 10 1	59-6730	Race - Bearing	5 7 2

\*Not Illustrated

# TORO PART NUMBER INDEX (Cont.)

3315-624

Part No.	Description	Pg. Ref. No. No. Qty.	Part No.	Description	Pg. Ref. No. No. Qty.
59-6740	Bearing - Needle Thrust	5 8 1	60-7480	Bolt	53 26 4
59-6810	Control Parts Assembly	5 * 1	60-9760	Nut - Lock	75 11 1
59-6820	Centering Spring Kit	5 11 1	60-9760	Nut - Lock	83 13 1
59-6830	Kit - Centering Pin	5 20 1	60-9770	Piston	75 10 1
59-6850	Plate - Spacer	5 14 1	61-2790	Filler - Screen	20 34 1
59-6860	Drive	5 15 1	61-4990	Ring - Retaining	75 3 1
59-6890	Cap - End	5 18 1	62-5550	Decal	4 47 1
59-6910	Connector	44 6 1	62-6450	Kit - Retaining Ring	31 28 1
59-7580	Nut - Hex.	23 24 8	62-6460	Sealant - RTV (Tube)	31 * 1
59-7590	Washer - Lock	23 12 16	62-7650	Gasket - Level Sensing Unit	19 1 1
59-7970	Stud - Threaded	23 23 8	63-0660	Pulley - Drive	77 51 1
59-7990	Seal - Gland	23 3 4	63-0660	Pulley - Wing Deck Drive	87 14 2
59-8470	Retainer - Seal	23 4 4	63-1540	Pulley - Idler	77 15 3
59-8500	Gear/Shaft - Front Drive	23 17 1	63-1540	Pulley - Idler	87 24 6
59-8570	Seal - Shaft	23 22 1	63-4740	Bolt	49 7 17
59-8580	Ring - Retaining	23 21 1	63-7430	Gauge - Temperature	13 8 1
59-8590	Seal - Shaft	23 20 1	63-7590	Relay	68 19 1
59-8600	Gear - Driven	23 9 2	63-8280	Head - Fuel Filter	66 4 1
59-8610	Repair Kit	23 * 1	63-8290	Vent - Air	66 5 1
60-3780	Seal Kit	17 *	63-8310	Valve - Drain	66 8 1
60-3810	Shaft - Input	31 2 1	63-8360	Key - Ignition	14 11 1
60-3830	Seal - Oil	31 4 1	66-1340	Decal - Danger	79 23 1
60-3840	Cone - Bearing	31 5 1	66-1340	Decal - Danger	80 33 1
60-3850	Cup - Bearing	31 6 2	66-1340	Decal - Danger	86 37 2
60-3860	Bolt - Wheel	31 7 9	66-2490	Hold-Down - Battery	68 16 2
60-3870	Hub	31 8 1	66-2940	Gauge - Fuel	13 25 1
60-3880	Cone - Bearing	31 9 1	66-2950	Hourmeter	13 26 1
60-3890	Bolt - Hex. Hd.	31 10 6	66-3241	Cap - Radiator	40 5 1
60-3900	Gear - Ring	31 24 1	66-5400	Assembly - Seat	1 1 1
60-3910	Washer - Flat	31 11 6	66-6140	Decal - TORO	39 27 1
60-3930	Ring - Retaining	31 25 2	66-8530	Track - Adjustment	2 3 1
60-3940	Washer	31 26 2	67-4510	Sending Unit - Temperature	42 4 1
60-3950	Spring - Disengage	31 27 1	67-5360	Decal - Danger	79 25 1
60-3960	Primary Carrier Assembly	31 15 1	67-5360	Decal - Danger	80 31 1
60-3970	Gear - Primary Sun	31 13 1	67-5360	Decal - Danger	86 39 4
60-3980	Washer - Thrust	31 12 1	67-7160	Block - Fuse	11 24 4
60-3990	Washer - Thrust	31 23 1	67-7561	Cup - Anti Scalp	89 13 1
60-4000	Secondary Carrier Assy.	31 20 1	67-9550	Cushion - Seat	1 17 1
60-4010	Plunger - Disengage	31 22 1	67-9560	Shell - Seat	1 2 1
60-4020	Seal - O-Ring	31 21 1	68-6150	Breather	40 50 1
60-4030	Bolt - Hex. Hd.	31 17 8	68-7571	Strip - Sealing	20 24 1
60-4040	Plug - Pipe	31 16 1	68-7572	Strip - Sealing	19 18 1
60-4050	Cover - Large	31 19 1	68-8080	Wheel - Steering	4 10 1
60-4060	Cover - Disengage	31 18 1	69-0030	Spring - Compression	32 30 2
60-4070	Bolt - Hex. Hd.	31 14 2	69-0040	Foam - Lower Grille	38 20 1
60-5210	Clamp	58 15 2	69-0060	Screw - Cap Hex. Hd.	68 28 1
60-5340	Cover Assembly - Front	46 7 1	69-0060	Screw - Cap Hex. Hd.	42 39 16
60-5360	Bearing	46 11 1	69-0090	Pin - Clevis Engine End	15 * 1
60-5370	Rectifier Assembly	46 13 1	69-0100	Frame - Assembly	25 49 1
60-5380	Cover Assembly - Rear	46 12 1	69-0750	Switch - Brake	7 22 1
60-5720	Seal - O-Ring	17 9 6	69-0760	Bracket - Rest, Arm L.H.	1 * 1
60-6450	Disc	17 2 A/R	69-0770	Bracket - Rest, Arm R.H.	1 18 1
60-7040	Bolt	47 40 2	69-0820	Decal - H.O.C.	78 57 1
60-7110	Bolt	53 10 3	69-0880	Decal - Torque	76 31 1
60-7110	Bolt	48 18 1	69-0880	Decal - Torque	86 38 2
60-7110	Bolt	50 23 2	69-0890	Decal - Belt Routing L.H.	86 36 1
60-7110	Bolt	51 37 1	69-0900	Decal - Belt Routing R.H.	86 * 1
60-7120	Nut - Hex.	57 3 12	69-0920	Decal - Hydraulic Oil	27 8 1
60-7160	Rivet	56 1 2	69-0930	Decal - Warning	19 12 1
60-7210	Bolt	48 6 1	69-0940	Decal - Caution	27 39 1
60-7280	Bolt	50 2 4	69-0950	Decal - 580D	39 26 2
60-7280	Bolt	49 3 2	69-0960	Panel - Diagnostic	26 4 1
60-7280	Bolt	51 7 2	69-0970	Panel - Control	4 46 1
60-7280	Bolt	54 9 23	69-0980	Panel - Lever	14 1 1
60-7280	Bolt	58 31 2	69-0990	Panel - Control	14 6 1
60-7280	Bolt	47 35 1	69-1130	Louver - Middle	38 8 1
60-7290	Bolt	53 29 4	69-1140	Louver - Lower	38 31 1
60-7370	Bolt	55 2 4	69-1170	Gauge - Sight	20 2 1
60-7370	Bolt	44 5 1	69-1180	Armrest	1 20 2
60-7370	Bolt	55 7 16	69-1260	Spacer	1 19 4
60-7370	Bolt	54 12 5	69-1380	Panel - Side R.H.	39 * 1
60-7480	Bolt	58 10 2	69-1390	Panel - Side L.H.	39 12 1

\*Not Illustrated

# TORO PART NUMBER INDEX (Cont.)

Part No.	Description	Pg. Ref.		Part No.	Description	Pg. Ref.	
		No.	Qty.			No.	Qty.
69-1510	Spacer - Caster	76	2 12	69-2280	Shaft/Gear - Idler	35	15 1
69-1510	Spacer - Castor	86	35 48	69-2290	Shaft/Gear - Drive	35	28 1
69-1530	Housing - Spindle	89	8 1	69-2300	Ring - Retaining	35	26 1
69-1540	Pivot - Spring	74	34 1	69-2310	Seal - Shaft	35	27 1
69-1560	Lever - Lock	4	1 1	69-2320	Plate - Wear	35	16 1
69-1580	Anchor - Latch L.H.	82	55 1	69-2330	Body Assembly	35	21 1
69-1600	Anchor - Latch R.H.	82	* 1	69-2340	Pin - Dowel	35	14 2
69-1610	Adapter - Suction Hose	20	8 1	69-2350	Ring - Sealing	35	19 1
69-1630	Arm - Latch Pivot	84	12 4	69-2360	Screw	35	23 4
69-1640	Radiator	40	12 1	69-2370	Washer	35	22 4
69-1650	Screen - Suction	20	17 1	69-2380	Screw	35	24 4
69-1660	Mount - Engine	42	40 4	69-2390	Washer	35	25 4
69-1670	Cooler - Oil	40	32 1	69-2400	Seal - O-Ring	35	29 1
69-1680	Fan	43	62 1	69-2410	Plug	35	1 2
69-1690	Clutch - Fan	43	64 1	69-2420	Seal - O-Ring	35	2 2
69-1700	Hydraulic Filter Assembly	21	19 1	69-2430	Spring - Compression	35	5 1
69-1710	Indicator - Filter	21	25 1	69-2440	Orifice	35	4 1
69-1720	Element - Filter	21	21	69-2450	Piston	35	3 1
69-1730	Planetary Gear Drive Assy.	28	32 2	69-2460	Cap	35	6 1
69-1740	Spindle	31	3 1	69-2470	Gasket - Cap	35	7 1
69-1750	Fuel Filter Assembly	42	44 1	69-2480	Screw - Set	35	8 1
69-1750	Fuel Filter Assembly	66	* 1	69-2490	Spring - Compression	35	9 1
69-1760	Sensor - Water	66	9 1	69-2500	Poppet	35	10 1
69-1770	Element - Spin-On	66	11 1	69-2510	Seat	35	11 1
69-1780	Lift Valve Assembly	16	2 1	69-2520	Plug - Pipe	35	31 1
69-1790	Plunger	17	37 2	69-2530	Seal - O-Ring	35	12 1
69-1800	Plug Assembly	17	32 3	69-2540	Cover Assembly	35	13 1
69-1810	Spring	17	33 3	69-2550	Repair Kit - Pump	35	* 1
69-1820	Spring - Black	17	21 1	69-2560	Repair Kit - Pump & Divider	35	* 1
69-1830	Plug Assembly	17	16 1	69-2570	Head	75	4 1
69-1840	Plunger	17	31 1	69-2580	Shaft w/clevis	75	1 1
69-1850	Valve - Power Steering	4	28 1	69-2640	Master Cylinder Assembly	7	9 1
69-1860	Gerotor	5	16 1	69-2650	Boot - Rod	8	1 1
69-1870	Screw - Cap	5	19 7	69-2660	Ring - Retaining	8	2 1
69-1880	Spacer	5	17 1	69-2730	Piston Assembly	8	* 1
69-1890	Air Cleaner Assembly	42	15 1	69-2740	Bail - Cover	8	12 1
69-1900	Element Assembly	65	5 1	69-2750	Cover - Reservoir	8	9 1
69-1910	Clamp Assembly	65	4 1	69-2760	Gasket - Diaphragm	8	10 1
69-1920	Baffle	65	2 1	69-2770	Seat - Tube	8	11 1
69-1930	Cup Assembly	65	1 1	69-2780	Motor - Hydraulic	77	11 1
69-1940	Indicator - Electrical	43	71 1	69-2780	Motor - Hydraulic	87	13 2
69-1950	Band - Air Cleaner	42	28 2	69-2790	Body Assembly	88	10 1
69-1960	Cylinder - Steering	71	42 2	69-2800	Cover Assembly	88	3 1
69-1960	Steering Cylinder (Complete)	73	* 2	69-2810	Plate - Gear	88	9 1
69-1970	Joint - Ball	73	17 1	69-2820	Shaft/Gear - Idler	88	16 1
69-1980	Nut - Jam	73	16 1	69-2830	Shaft/Gear - Drive	88	8 1
69-1990	Nut - Lock	73	14 1	69-2840	Plate - Wear	88	7 2
69-2000	Piston	73	11 1	69-2850	Seal - Load	88	6 2
69-2020	Rod - Piston	73	4 1	69-2860	Seal - Oil	88	13 1
69-2030	Ring - Head	73	7 1	69-2870	Pin - Dowel	88	15 4
69-2050	Hydraulic Pump Assembly	22	8 1	69-2880	Key - Square	88	11 1
69-2060	Shaft End Cover Assembly	23	18 1	69-2890	Screw - Hex. Socket Hd.	88	1 4
69-2070	Plate - Flex	23	5 4	69-2900	Plug - Pipe	88	14 2
69-2080	Center Section Assembly	23	7 2	69-2910	Washer	88	2 4
69-2090	Gear/Shaft - Rear Drive	23	8 1	69-2920	Seal - Square	88	5 2
69-2100	Rear Cover Assembly	23	11 1	69-2930	Ring - Retaining	88	12 1
69-2110	Coupling	23	1 1	69-2940	Repair Kit	88	* 1
69-2120	Seal - O-Ring	23	10 2	69-2960	Hub - Rear Wheel	71	19 2
69-2130	Plug	23	19 1	69-2970	Cap - Hub	71	27 2
69-2140	Screw - Cap Hex. Hd.	23	14 4	69-2980	Seal - Inner	71	32 2
69-2150	Screw - Cap Hex. Hd.	23	13 4	69-2990	Screw - Drive	71	18 10
69-2160	Port Section Assembly	23	16 1	69-3010	Strap - Hold Down	39	6 4
69-2170	Adapter Section Assembly	23	2 1	69-3020	Handle - Latch	38	16 2
69-2180	Cylinder - Hydraulic	74	7 2	69-3020	Latch	40	20 8
69-2200	Seal - O-Ring	23	6 2	69-3030	Strike - Latch	38	13 8
69-2210	Seal - O-Ring	23	15 1	69-3040	Variable Displacement Pump	33	1 1
69-2220	Pump/Valve	33	52 1	69-3050	Motor - Hydraulic Wheel	29	44 2
69-2230	Flow Divider Assembly	35	30 1	69-3070	Washer - Lock	37	62 10
69-2240	Screw	35	32 4	69-3070	Washer - Plain	30	2 10
69-2250	Bearing - Sleeve	35	20 4	69-3080	Plug	37	60 6
69-2260	Seal - Load	35	17 1	69-3090	Adapter - Suction	37	79 1
69-2270	Seal - Pre-Load	35	18 1	69-3100	Screw	37	82 1

\*Not Illustrated

# TORO PART NUMBER INDEX (Cont.)

3315-624

Part No.	Description	Pg. Ref.		Part No.	Description	Pg. Ref.			
		No.	Qty.			No.	Qty.		
69-3110	Screw	37	73	2	69-3800	Valve	37	65	1
69-3120	Plug	37	95	1	69-3810	Valve - By Pass	37	66	1
69-3130	Plug	36	9	1	69-3820	Sleeve - Control Valve	36	42	1
69-3130	Plug - Hole	30	33	1	69-3830	Spool - Rotary Valve	36	46	1
69-3140	Bracket - Lifting	37	58	1	69-3840	Seal - O-Ring	36	52	1
69-3150	Screw - Hex. Hd.	37	61	10	69-3860	Screw - Flange Hd.	36	49	1
69-3150	Screw Hex. Hd.	30	1	10	69-3870	Handle - Control Valve	36	50	1
69-3160	Seal - O-Ring	37	74	3	69-3880	Spring - Neutral Return	36	45	1
69-3170	Ring - Retaining	30	19	2	69-3890	Bracket - Neutral Return	36	48	1
69-3170	Ring - Retaining	36	31	2	69-3900	Washer	36	51	1
69-3180	Shaft Pump	36	37	1	69-3910	Cylinder Block Assembly	36	39	1
69-3190	Seal - Lip	30	18	1	69-3910	Cylinder Block Kit	30	27	1
69-3190	Seal - Lip	36	30	1	69-3920	Piston Ring & O-Ring Kit	30	*	1
69-3200	Ring - Retaining	30	17	2	69-3940	Plug	30	29	1
69-3200	Ring - Retaining	36	29	2	69-3950	Shaft - Motor	30	25	1
69-3210	Bearing - Ball	30	20	1	69-3960	Screw	30	21	1
69-3210	Bearing - Ball	36	32	1	69-3970	Bearing - Journal	30	22	2
69-3220	Screw	36	28	1	69-3980	Swashplate - Variable	30	24	1
69-3230	Pin - Spring	36	12	1	69-3990	Plate - Motor Valve	30	28	1
69-3230	Pin - Spring	30	32	1	69-4020	Piston - Servo	30	37	1
69-3240	Bearing - Journal	36	25	2	69-4030	Spring - Servo	30	40	1
69-3250	Swashplate - Variable	36	24	1	69-4040	Stop - Servo Piston	30	42	1
69-3360	Plate - Valve L.H.	36	40	1	69-4060	Counterbalance Manifold	18	*	1
69-3370	Bearing - Needle	36	13	1	69-4060	Counterbalance Manifold	16	26	1
69-3370	Bearing - Needle	30	31	1	69-4070	Manifold - Counter Balance	18	14	1
69-3390	Gerotor Assembly	37	89	1	69-4080	Valve - Hydraulic Cartridge	18	1	1
69-3400	Screw Hex. Hd.	37	83	3	69-4090	Valve - Hydraulic Cartridge	18	36	1
69-3410	Adapter - A Flange	37	85	1	69-4100	Valve - Hydraulic Cartridge	18	15	1
69-3420	Ring - Temper Load	37	86	1	69-4110	Valve - Hydraulic Cartridge	18	30	2
69-3430	Key - Woodruff	37	84	1	69-4120	Valve - Hydraulic Cartridge	18	10	1
69-3440	Seal - O-Ring	37	87	1	69-4130	Plug - Orifice .047	18	39	2
69-3450	Pin	30	30	1	69-4140	Plug - Orifice .120	18	38	1
69-3450	Pin	36	41	1	69-4150	PTO Manifold Assembly	70	*	1
69-3460	Plug Expansion	37	80	1	69-4150	PTO Manifold Assembly	68	1	1
69-3470	Pin	36	36	1	69-4160	Manifold - PTO	69	29	1
69-3500	Bearing - Sleeve	30	13	1	69-4170	Valve - Cartridge (600 lbs)	69	5	3
69-3500	Sleeve - Bearing	36	34	1	69-4180	Valve - Cartridge (3000 lbs)	69	8	3
69-3510	Pin	30	14	1	69-4190	Valve - Cartridge (20 lbs)	69	40	3
69-3510	Pin	36	35	1	69-4200	Valve - Cartridge (75 lbs)	69	38	3
69-3520	Pin	36	26	2	69-4220	Plug - Orifice	70	47	1
69-3520	Pin - Spring	30	23	2	69-4230	Cartridge Valve Seal Kit	70	*	6
69-3530	Plug - Orifice	37	75	1	69-4230	Kit - Seal	18	2	2
69-3540	Cover - Gerotor	37	88	1	69-4240	Kit - Seal	18	11	1
69-3550	Pin	37	81	1	69-4250	Kit - Seal	18	29	3
69-3560	Seal - O-Ring	30	38	2	69-4260	Solenoid Valve Seal Kit	70	*	3
69-3560	Seal - O-Ring	37	55	2	69-4270	Cartridge Valve Seal Kit	70	*	6
69-3570	Ring - Piston	30	39	2	69-4280	Tube - Hydraulic Vent	20	33	1
69-3570	Ring - Piston	37	56	2	69-4320	Fitting - Hydraulic 90° Elbow	77	8	1
69-3580	Guide - Spring	36	8	1	69-4330	Solenoid Valve Assembly	67	*	1
69-3590	Ring - Retaining	36	7	1	69-4340	Spring - Return	67	6	1
69-3600	Nut - Hex.	36	6	1	69-4350	Ring - Retaining	67	4	1
69-3610	Nut - Jam	36	5	1	69-4360	Boot - Rubber	67	3	1
69-3620	Cover - Servo Adjustment	36	1	1	69-4370	Stud - Threaded	67	2	1
69-3630	Nut Special	36	2	1	69-4400	Carrier - Wing Deck	82	54	1
69-3640	Cover - Servo	36	3	1	69-4780	Clamp - Gauge	13	23	2
69-3650	Piston - Servo	36	53	1	69-5350	Hose - Air Cleaner Inlet	42	13	1
69-3660	Screw - Special	37	91	1	69-5360	Hose - Air Cleaner	42	17	1
69-3670	Spring - Compression Servo	37	93	1	69-5370	Hose - Auxiliary Suction	20	14	1
69-3680	Stop - Servo	37	92	1	69-5380	Hose - Upper Radiator	40	4	1
69-3690	Bearing	37	54	2	69-5390	Hose - Lower Radiator	40	10	1
69-3700	Guide - Spring	37	90	1	69-5410	Manifold - Return	21	10	1
69-3710	Gasket - Servo	36	4	2	69-5430	Pulley - Idler	80	7	1
69-3710	Gasket - Servo Cover	30	41	2	69-5430	Pulley - Idler	77	25	1
69-3720	Cover - Servo	30	43	2	69-5440	Hose - Hydraulic	74	12	3
69-3720	Cover Servo	37	57	1	69-5440	Hose - Hydraulic	21	30	1
69-3730	Valve - Relief	37	78	2	69-5440	Hose - Hydraulic	34	58	1
69-3740	Spring - Compression	37	72	2	69-5450	Hose - Hydraulic	34	56	1
69-3750	Seal - O-Ring	37	77	2	69-5460	Hose - Hydraulic	33	18	1
69-3760	Plug Special	37	71	2	69-5460	Hose - Hydraulic	21	14	1
69-3770	Shim	37	69	1	69-5470	Hose - Hydraulic	24	16	1
69-3780	Plug	37	67	1	69-5470	Hose - Hydraulic	34	57	1
69-3790	Spring Compression	37	70	1	69-5480	Hose - Hydraulic	24	17	1

\*Not Illustrated

# TORO PART NUMBER INDEX (Cont.)

Part No.	Description	Pg. Ref. No. No. Qty.	Part No.	Description	Pg. Ref. No. No. Qty.
69-5480	Hose - Hydraulic	34 59 1	69-6060	Tube - Hydraulic	24 38 1
69-5490	Hose - Cylinder	81 39 4	69-6060	Tube - Hydraulic	82 47 1
69-5500	Hose - Hydraulic	4 33 4	69-6070	Tube - Hydraulic	27 36 1
69-5510	Hose - Hydraulic	71 1 4	69-6070	Tube - Hydraulic	82 48 1
69-5590	Hose - Hydraulic	69 1 2	69-6080	Tube - Hydraulic	27 35 1
69-5590	Hydraulic Hose Assembly	22 1 2	69-6080	Tube - Hydraulic	82 52 1
69-5600	Hose - Hydraulic	69 9 1	69-6090	Tube - Hydraulic	27 27 1
69-5610	Hose - Hydraulic	69 17 1	69-6100	Tube - Hydraulic Pressure	25 50 1
69-5620	Hose - Hydraulic	40 29 1	69-6110	Hydraulic Tube Assembly	22 13 1
69-5640	Hose - Hydraulic	22 12 1	69-6120	Tube - Hydraulic	27 16 1
69-5640	Hose - Suction	20 12 1	69-6130	Tube - Hydraulic	27 15 1
69-5650	Hose - Hydraulic	21 18 1	69-6140	Tube - Hydraulic	69 45 1
69-5650	Hose - Hydraulic	33 22 1	69-6140	Tube - Hydraulic R.H.	81 * 1
69-5660	Hose - Hydraulic	24 11 2	69-6150	Tube - Hydraulic	69 46 1
69-5660	Hose - Hydraulic Diagnostic	26 5 1	69-6150	Tube - Hydraulic R.H.	81 * 1
69-5660	Hose - Hydraulic Diagnostic	18 25 1	69-6160	Tube - Hydraulic	69 11 1
69-5661	Hose - Hydraulic Diagnostic	26 11 1	69-6170	Tube - Hydraulic	69 21 1
69-5662	Hose - Diagnostic	69 44 2	69-6170	Tube - Hydraulic L.H.	81 6 1
69-5662	Hose - Hydraulic Diagnostic	26 9 2	69-6180	Tube - Hydraulic	69 20 1
69-5663	Hose - Diagnostic	25 69 1	69-6180	Tube - Hydraulic L.H.	81 22 1
69-5663	Hose - Hydraulic	33 50 1	69-6190	Tube - Hydraulic	24 23 1
69-5664	Hose - Diagnostic	25 70 1	69-6200	Tube - Hydraulic	24 22 1
69-5664	Hose - Hydraulic Diagnostic	26 7 1	69-6220	Hex - Belt - Deck Drive	78 * 1
69-5665	Hose - Hydraulic Diagnostic	26 10 1	69-6240	Fitting - Hydraulic 90°	22 3 2
69-5670	Cable - Brake	6 22 2	69-6250	Engine - Assembly	42 9 1
69-5680	Tube - Hydraulic	16 20 1	69-6260	Magnet	11 6 1
69-5680	Tube - Hydraulic	18 9 1	69-6260	Magnet - Cover	79 15 2
69-5690	Tube - Hydraulic	24 7 1	69-6260	Magnet - Cover	80 15 2
69-5700	Tube - Hydraulic	16 18 1	69-6260	Magnet - Cover	77 32 4
69-5710	Tube - Hydraulic	18 20 1	69-6260	Magnet - Cover	87 20 8
69-5720	Tube - Hydraulic	16 17 1	69-6340	Plate - Motor Mounting R.H.	87 * 1
69-5730	Tube - Hydraulic	18 33 1	69-6360	Plate - Motor Mounting L.H.	87 3 1
69-5740	Tube - Hydraulic	16 19 1	69-6390	Plate - Gearbox	77 52 1
69-5760	Hose - Hydraulic L.H.	28 8 2	69-6420	Bar - Lift L.H.	86 18 1
69-5770	Hose - Hydraulic R.H.	28 * 2	69-6470	Bushing - Flange	85 5 8
69-5790	Tube - Hydraulic	24 37 1	69-6470	Bushing - Flange	71 6 6
69-5800	Tube - Hydraulic	20 20 1	69-6470	Bushing - Flange	86 16 20
69-5800	Tube - Hydraulic	27 28 1	69-6470	Bushing - Flange	76 26 4
69-5810	Tube - Hydraulic Return	25 * 1	69-6470	Bushing - Flange	74 29 4
69-5820	Tube - Hydraulic	18 31 1	69-6470	Bushing - Flange	81 30 4
69-5830	Tube - Hydraulic	18 32 1	69-6480	Bar - Lift R.H.	86 * 1
69-5850	Tube - Hydraulic	18 18 1	69-6490	Plate - Tension	77 43 1
69-5860	Tube - Hydraulic	16 16 1	69-6550	Arm - Tension	77 38 1
69-5860	Tube - Hydraulic	18 34 1	69-6610	Arm - Idler	77 23 1
69-5870	Tube - Hydraulic	16 22 1	69-6610	Idler Arm Assembly	80 27 1
69-5870	Tube - Hydraulic	18 28 1	69-6640	Hinge - Left Front	79 13 1
69-5880	Tube - Hydraulic	24 39 1	69-6670	Hinge - Left Rear	79 17 1
69-5890	Tube - Hydraulic	18 5 1	69-6690	Hinge - Right Front	80 28 1
69-5890	Tube - Hydraulic	16 21 1	69-6710	Hinge - Right Rear	80 23 1
69-5900	Tube - Hydraulic	40 31 1	69-6730	Skid	79 7 1
69-5910	Tube - Hydraulic	18 19 1	69-6730	Skid	86 21 4
69-5910	Tube - Hydraulic Diagnostic	26 6 1	69-6730	Skid	80 29 1
69-5920	Tube - Diagnostic	26 8 1	69-6760	Shaft - Spindle	89 10 1
69-5920	Tube - Hydraulic	18 37 1	69-6780	Cover - Center Left	77 30 1
69-5930	Tube - Hydraulic R.H.	28 * 1	69-6790	Cover - Center Right	78 54 1
69-5940	Tube - Hydraulic L.H.	28 2 1	69-6800	Cover - Inner L.H.	87 1 1
69-5950	Tube - Hydraulic	21 32 1	69-6810	Cover - Outer L.H.	87 16 1
69-5950	Tube - Hydraulic	25 57 1	69-6820	Cover - Inner R.H.	87 * 1
69-5970	Tube - Hydraulic R.H.	81 * 1	69-6830	Cover - Outer R.H.	87 * 1
69-5980	Tube - Hydraulic L.H.	81 21 1	69-6840	Cover - Right Wing	80 2 1
69-5990	Tube - Hydraulic	21 12 1	69-6850	Cover - Left Wing	79 22 1
69-5990	Tube - Hydraulic	82 53 1	69-6860	Washer - Castor	76 25 8
69-6000	Tube - Hydraulic	21 11 1	69-6860	Washer - Thrust	86 33 28
69-6000	Tube - Hydraulic	82 49 1	69-6870	Plate - Magnet	80 3 2
69-6010	Tube - Hydraulic	72 50 1	69-6870	Plate - Magnet	87 18 8
69-6020	Tube - Hydraulic	72 51 1	69-6870	Plate - Magnet	79 21 2
69-6030	Tube - Hydraulic	24 35 1	69-6870	Plate - Magnet	77 31 4
69-6030	Tube - Hydraulic	82 46 1	69-6890	Spacer - Spring	77 47 1
69-6040	Tube - Hydraulic	24 34 1	69-6900	Shaft - Hinge	79 14 1
69-6040	Tube - Hydraulic	82 50 1	69-6900	Shaft - Hinge	80 20 1
69-6050	Tube - Hydraulic	24 33 1	69-6910	Bracket - Support	80 11 1
69-6050	Tube - Hydraulic	82 51 1	69-6910	Bracket - Support	79 19 1

\*Not Illustrated

# TORO PART NUMBER INDEX (Cont.)

3315-624

Part No.	Description	Pg. No.	Ref. No.	Qty.	Part No.	Description	Pg. No.	Ref. No.	Qty.
69-6920	Blade - 20	89	12	1	69-8920	Washer	27	4	4
69-6950	Spacer - Spindle	89	11	1	69-8930	Washer	24	26	4
69-6960	Spacer - Idler	77	14	4	69-8940	Washer	24	5	12
69-6960	Spacer - Idler	87	23	6	69-8940	Washer	81	16	20
69-6970	Spacer - Idler	80	17	1	69-8950	Spacer	27	5	2
69-6970	Spacer - Idler	77	26	1	69-8960	Spacer	24	27	2
69-6980	Valve - Check	4	38	1	69-8970	Spacer	81	17	10
69-6990	Lever - Valve Mid.	16	*	1	69-8970	Spacer	24	31	6
69-7000	Lever - Valve R.H.	16	*	1	69-8980	Washer	27	30	8
69-7010	Lever - Valve L.H.	16	5	1	69-8990	Spacer	27	33	4
69-7040	Holder - Cup	11	13	1	69-9000	Spacer	81	9	4
69-7100	Support - Radiator Lower	40	24	1	69-9010	Washer	81	10	8
69-7120	Grille - Upper	38	27	1	69-9020	Nut - Special	33	26	1
69-7150	Grille - Lower	38	23	1	69-9030	Post - Neutral Device	9	14	1
69-7170	Clevis - Deck	86	10	2	69-9040	Cam - Neutral Device	33	31	1
69-7200	Tube - Vent	19	14	1	69-9050	Bar - Neutral Device	33	45	1
69-7210	Tube - Latch	84	5	2	69-9070	Bracket - Clamp	43	58	1
69-7290	Mount - Ball Joint	76	5	2	69-9080	Pin - Latch	74	30	1
69-7360	Spindle - Wheel R.H.	71	*	1	69-9080	Pin - Latch	84	13	8
69-7370	Spindle - Wheel L.H.	71	17	1	69-9090	Roller - Latch	84	16	4
69-7420	Axle - Rear	71	16	1	69-9100	Washer - Latch	84	7	2
69-7570	Bracket - Front Engine	42	*	1	69-9110	Rod - Engine Run Solenoid	42	49	1
69-7580	Bracket - Front Engine	42	42	1	69-9120	Rod - Hood Prop	68	5	1
69-7610	Bracket - Muffler	42	18	1	69-9130	Bracket - Throttle	15	11	1
69-7650	Pedal - Traction	9	24	1	69-9140	Link - Valve Lever	16	6	3
69-7700	Pedal - Brake	7	3	1	69-9150	Shaft - Valve Lever	16	9	1
69-7700	Pedal - Brake	6	20	2	69-9160	Bracket - Brake Switch	7	21	1
69-7720	Pawl - Brake	6	7	1	69-9170	Shaft - Cruise Control	9	3	1
69-7740	Support - Steering Gear	4	21	1	69-9180	Pin - Cylinder	74	17	2
69-7760	Link - Steering Gear	4	19	1	69-9190	Bushing - Cylinder	81	38	2
69-7790	Pin - Brake Arm	6	11	1	69-9190	Tube - Cylinder Bushing	74	15	2
69-7810	Bracket - Valve	16	11	1	69-9200	Pin - Brake Pawl	6	8	1
69-7840	Mount - Brake Arm	6	16	1	69-9210	Lever - Brake Latch	6	4	1
69-7880	Arm - Brake L.H.	6	23	1	69-9220	Support - Tube Clamp	22	17	2
69-7890	Arm - Brake R.H.	6	2	1	69-9230	Shaft - Steering Pivot	4	2	1
69-7920	Support - Lift Arm L.H.	74	27	2	69-9240	Roller - Cam	85	16	2
69-7940	Support - Lift Arm R.H.	74	4	2	69-9250	Shaft - Roller	85	18	2
69-7960	Support - Axle	71	12	2	69-9260	Pin - Clevis	76	29	2
69-8040	Arm - Throttle	15	4	1	69-9290	Pad - Bumper	77	17	2
69-8080	Cover - Tool Box	10	3	1	69-9300	Cushion - Rubber	85	8	2
69-8110	Box - Tool	10	1	1	69-9300	Cushion - Rubber	81	34	2
69-8160	Tower - Steering	4	31	1	69-9300	Cushion - Rubber	25	41	2
69-8210	Support - Cover	11	26	1	69-9310	Plate - Lever	14	20	1
69-8230	Bracket - Trim L.H.	39	17	1	69-9330	Cover	27	1	1
69-8250	Bracket - Trim R.H.	39	20	1	69-9340	Rod - Brake	7	15	1
69-8290	Frame - Battery	68	33	1	69-9350	Bracket - Hood Prop Rod	68	2	1
69-8390	Pulley - Spindle	89	4	1	69-9360	Bracket - Fuel Filter	43	53	1
69-8410	Screw - Cap Hex. Hd.	42	34	4	69-9370	Louver - Top	38	6	2
69-8420	Washer - Lock	42	35	4	69-9390	Shaft - Pedal	9	11	1
69-8430	Hose - Hydraulic	40	18	2	69-9400	Bracket - Hose Support	72	49	1
69-8440	Hose - Hydraulic	74	9	1	69-9420	Muffler	42	11	1
69-8440	Hose - Hydraulic	21	31	1	69-9430	Foam - Tool Box	10	2	1
69-8450	Hose - Hydraulic	40	30	1	69-9440	Panel - Steering Tower	4	4	1
69-8460	Fitting - Hydraulic Straight	43	55	2	69-9450	Bracket - Wing Hose L.H.	81	7	1
69-8470	Spring - Torsion	74	32	1	69-9460	Bracket - Wing Hose R.H.	81	*	1
69-8480	Spring - Compression	84	6	2	69-9470	Cover - Access	25	63	1
69-8490	Bracket - Throttle Cable	42	36	1	69-9480	Bracket - Neutral Device	33	28	1
69-8500	Shim - Hinge Bracket	39	21	6	69-9520	Panel - Rear	39	9	1
69-8510	Cover - Steering Tower	4	41	1	69-9530	Bracket - Air Cleaner	42	29	1
69-8520	Bracket - Hinge	39	28	2	69-9540	Bracket - Steering Gear	4	18	1
69-8590	Support - Radiator Upper	40	2	1	69-9550	Plate - Adapter	42	31	1
69-8650	Cowl - Radiator	38	10	1	69-9560	Housing - Control	11	1	1
69-8690	Support - Grille	38	15	1	69-9570	Front Lift Arm Assy. R.H.	74	43	1
69-8750	Arm - Brake	7	1	1	69-9580	Front Lift Arm Assy. L.H.	74	39	1
69-8790	Plate - Reinforcing	76	4	2	69-9650	Screen - Cowl	38	9	2
69-8790	Plate - Reinforcing	86	4	2	69-9670	Cam - Spring Trip	84	21	2
69-8830	Arm - Inside Castor	86	1	2	69-9680	Shaft - Latch	84	10	2
69-8860	Arm - Castor R.H.	76	7	1	69-9690	Block - Latch Pivot	84	11	2
69-8890	Cap - Spindle	71	13	2	69-9700	Mount - Rubber	86	5	8
69-8900	Spacer	25	52	2	69-9710	Nut - Lock	43	63	4
69-8910	Washer	32	3	2	69-9720	Strip - Sealing	38	28	2
69-8910	Washer	25	51	4	69-9721	Strip - Sealing	38	18	3

\*Not Illustrated

# TORO PART NUMBER INDEX (Cont.)

Part No.	Description	Pg. Ref.		Part No.	Description	Pg. Ref.			
		No.	Qty.			No.	Qty.		
69-9722	Trim - Sealing	38	35	1	70-3220	O-Ring	53	2	1
69-9723	Seal - Hood Bottom	39	15	2	70-3230	Plug	54	14	1
69-9724	Seal - Hood Front	39	29	1	70-3230	Plug	49	15	1
69-9730	Switch - Toggle	14	18	1	70-3240	Plug	59	51	1
69-9740	Switch - Toggle	14	14	1	70-3250	Bolt	59	47	2
69-9760	Plate - Cover	27	10	7	70-3260	Armature Assembly	45	12	1
69-9761	Plate - Clamp	68	36	1	70-3270	Spring - Brush	45	18	4
69-9761	Plate - Cover	81	13	1	70-3280	Cover Assembly Front	45	6	1
69-9761	Plate - Cover	27	14	1	70-3290	Brush Holder Assembly	45	17	1
69-9761	Plate - Cover	21	43	3	70-3300	Yoke Assembly	45	19	1
69-9761	Plate - Cover	43	78	1	70-3310	Bolt Set	45	14	1
69-9800	Tire	28	28	2	70-3320	Bearing	46	8	1
69-9810	Joint - Ball	73	2	1	70-3330	Bearing	45	13	1
69-9880	Tire	71	22	2	70-3340	Connector	57	11	1
69-9940	Nut - Jam	28	40	4	70-3340	Connector	53	34	1
69-9950	Spring - Extension	28	37	4	70-3350	Cap	51	11	6
69-9960	Link	28	36	4	70-3360	Cap	49	16	4
69-9970	Stud	28	35	4	70-3370	Cap	51	25	3
69-9980	Ball	28	39	6	70-3380	Cap	49	19	15
69-9990	Disc - Actuating	28	38	4	70-3390	Plug	49	17	4
70-2800	Pulley Assembly	46	2	1	70-3400	Plug	51	6	6
70-2810	Spring - Return	46	14	2	70-3410	Plug	51	13	1
70-2820	Bolt	58	21	2	70-3420	Clip	53	5	1
70-2830	Bolt	58	20	3	70-3430	Clamp - Hose	57	5	3
70-2830	Bolt - Cap Hex. Hd.	57	17	2	70-3440	Clamp - Hose	57	9	1
70-2840	Bolt	58	17	1	70-3450	V-Belt	47	1	1
70-2850	Bolt	47	22	2	70-3460	Washer	58	40	8
70-2850	Bolt	59	42	4	70-3470	Washer - Drain Plug	54	10	1
70-2860	Bolt	48	17	4	70-3480	Stud	57	4	6
70-2860	Bolt	47	33	1	70-3490	Cover	61	41	1
70-2870	Bolt	50	1	4	70-3500	Holder	61	50	4
70-2880	Bolt	52	6	4	70-3510	Stopper	61	49	4
70-2890	Bolt	47	15	2	70-3520	Spring	61	48	4
70-2890	Bolt	51	34	1	70-3530	Gasket	61	46	4
70-2900	Bolt	54	18	11	70-3540	Valve Assembly	61	45	4
70-2900	Bolt	47	19	1	70-3550	Element Assembly	61	44	4
70-2910	Bolt	47	4	1	70-3560	Pinion	60	12	4
70-2920	Bolt	47	20	3	70-3570	Screw	60	11	4
70-2930	Bolt	48	19	9	70-3580	Sleeve	60	13	4
70-2930	Bolt	49	22	4	70-3590	Seat	60	14	4
70-2940	Bolt	44	12	2	70-3600	Spring	60	15	4
70-2950	Stud	47	30	4	70-3610	Seat	60	16	4
70-2960	Nut	58	23	2	70-3620	Body	60	19	4
70-2970	Nut	50	4	8	70-3630	Tappet Assembly	61	*	1
70-2980	Nut	58	39	4	70-3640	Pin	60	18	4
70-2990	Washer	48	3	1	70-3650	Bushing	60	20	4
70-2990	Washer	47	16	1	70-3660	Roller	60	21	4
70-2990	Washer	53	28	4	70-3670	Plug	60	22	4
70-2990	Washer	58	30	4	70-3680	Camshaft	61	30	1
70-3000	Pin	51	4	2	70-3690	Ring	60	8	1
70-3010	O-Ring	56	23	1	70-3700	Ring	61	38	1
70-3020	Ring	52	20	8	70-3710	Plate - 0.10	60	7	A/R
70-3030	Tube	53	4	1	70-3720	Plate - 0.12	60	*	A/R
70-3040	Hose	57	14	1	70-3730	Plate - 0.14	60	*	A/R
70-3050	Bolt	50	28	1	70-3740	Plate - 0.16	60	*	A/R
70-3060	Gasket	57	1	2	70-3750	Plate - 0.18	60	*	A/R
70-3070	Gasket	53	33	1	70-3760	Plate - 0.50	60	*	A/R
70-3080	Gasket	51	23	1	70-3770	Plate - 0.30	60	*	A/R
70-3090	Clamp	53	3	1	70-3780	Plate - 0.1	61	37	A/R
70-3090	Clamp - Hose	57	13	2	70-3790	Plate - 0.15	61	*	A/R
70-3100	Plug	49	13	1	70-3800	Plate - 0.3	61	*	A/R
70-3110	Plug - Drain	54	11	1	70-3810	Plate - 0.5	61	*	A/R
70-3120	Plug	51	22	1	70-3820	Cover	61	35	1
70-3130	Gasket	55	4	1	70-3830	Gasket	61	31	1
70-3140	Pipe	58	36	1	70-3840	Rack	60	2	1
70-3150	Pipe	58	37	1	70-3850	Screw	61	42	1
70-3160	Screw	50	5	8	70-3860	Washer	60	3	2
70-3170	Nut	52	11	1	70-3870	Washer	61	40	2
70-3180	Clamp	58	18	3	70-3870	Washer	64	12	4
70-3190	Clamp	58	19	3	70-3880	Plate	60	1	2
70-3200	Washer	59	50	1	70-3890	Washer	62	31	2
70-3210	Packing	59	48	4	70-3900	Packing	60	9	2

\*Not Illustrated

# TORO PART NUMBER INDEX (Cont.)

3315-624

Part No.	Description	Pg. No.	Ref. No.	Qty.	Part No.	Description	Pg. No.	Ref. No.	Qty.
70-3910	Washer	61	25	2	70-4630	Gasket	64	3	2
70-3920	Cover Assembly	61	*	1	70-4640	Support	64	20	1
70-3930	Gasket	60	5	1	70-4650	Pump Assembly	64	2	1
70-3940	Plate	61	28	2	70-4660	Rod, Blue Small Dia.	64	19	A/R
70-3950	Screw	60	10	2	70-4670	Rod, Red Small Dia.	64	*	A/R
70-3960	Valve	60	4	1	70-4680	Rod, Yellow Small Dia.	64	*	A/R
70-3970	Plate - 0.6	60	17	A/R	70-4690	Rod, Green Small Dia.	64	*	A/R
70-3980	Plate - 0.7	60	*	A/R	70-4700	Rod, White Small Dia.	64	*	A/R
70-3990	Plate - 0.8	60	*	A/R	70-4710	Rod, Brown Big Dia.	64	*	A/R
70-4000	Plate - 0.9	60	*	A/R	70-4720	Piston	64	18	1
70-4010	Plate - 1.0	60	*	A/R	70-4730	Tappet	64	7	1
70-4020	Plate - 1.1	60	*	A/R	70-4740	Roller	64	8	1
70-4030	Plate - 1.2	60	*	A/R	70-4750	Pin	64	10	1
70-4040	Plate - 1.3	60	*	A/R	70-4760	Block	64	6	2
70-4050	Plate - 1.4	60	*	A/R	70-4770	Spring	64	17	1
70-4060	Plate - 0.1	60	*	A/R	70-4780	Plug	64	15	1
70-4070	Plate - 0.2	60	*	A/R	70-4790	Filter	64	13	1
70-4080	Plate - 0.3	60	*	A/R	70-4800	Screw	64	14	1
70-4090	Plate - 0.4	60	*	A/R	70-4810	Body Assembly	58	8	4
70-4100	Plate - 0.5	60	*	A/R	70-4820	Pin	58	5	4
70-4110	Plate - 0.15	60	*	A/R	70-4830	Spring	58	6	4
70-4120	Capsule	62	30	1	70-4840	Nut	58	1	4
70-4130	Housing	62	3	1	70-4850	Washer 2.15 mm	58	*	A/R
70-4140	Stopper	62	27	1	70-4860	Washer 1.00 mm	58	7	A/R
70-4150	Gasket	62	6	1	70-4870	Washer 1.05 mm	58	*	A/R
70-4160	Gasket	62	1	1	70-4880	Washer 1.10 mm	58	*	A/R
70-4170	Flyweight Assembly	63	71	1	70-4890	Washer 1.275 mm	58	*	A/R
70-4180	Nut	63	69	1	70-4900	Washer 1.325 mm	58	*	A/R
70-4190	Sleeve	63	68	1	70-4910	Washer 1.775 mm	58	*	A/R
70-4200	Plate	63	67	1	70-4920	Washer 0.95 mm	58	*	A/R
70-4210	Plate	62	8	1	70-4930	Packing	58	4	4
70-4220	Swiveling Lever Assembly	62	12	1	70-4940	Housing Assembly	61	43	1
70-4230	Bushing	62	21	2	70-4950	Hose - 90° Elbow	57	8	1
70-4240	E-Ring	63	59	1	70-4960	Clamp - R	57	21	1
70-4250	Tension Lever Assembly	62	19	1	70-4970	Gasket	57	19	1
70-4260	Adapter Assembly	63	*	1	70-4980	Bolt - Cap Hex Hd.	57	2	1
70-4270	Screw	63	60	1	70-4990	Spring	50	17	8
70-4280	Spring	63	62	1	70-5000	Retainer	50	18	8
70-4290	Adapter	63	63	1	70-5010	Tappet	50	11	8
70-4300	Nut	63	58	1	70-5020	Gear - Camshaft	48	8	1
70-4310	Nut	62	32	1	70-5020	Gear - Camshaft	50	22	1
70-4320	Lever Assembly	62	17	1	70-5030	Pipe	53	35	1
70-4330	Bushing	62	38	1	70-5040	Hose	47	43	1
70-4340	Shackle Assembly	62	18	1	70-5050	Cover	47	39	1
70-4350	Shaft	62	24	1	70-5060	Joint	58	27	1
70-4360	Plug	62	23	2	70-5070	O-Ring	58	35	1
70-4370	Spring	62	13	1	70-5080	Bushing	50	6	8
70-4380	Spring	62	16	1	70-5090	Gasket	49	20	1
70-4390	Screw	63	56	1	70-5100	Gasket	53	7	1
70-4400	Cover	62	25	1	70-5110	Washer	50	31	2
70-4410	Pin	63	57	1	70-5120	Bolt	53	32	1
70-4420	Bushing	63	53	1	70-5130	Gasket	49	11	1
70-4430	Screw	63	73	1	70-5140	Plug	49	5	1
70-4440	Nut	62	33	1	70-5150	Rocker Assembly - Intake	50	32	4
70-4450	Nut	62	34	1	70-5160	Rocker Assembly - Exhaust	50	27	4
70-4460	Plate	62	45	1	70-5170	Pipe	50	29	1
70-4470	Lever	63	55	1	70-5180	Rocker Shaft Assembly	50	8	1
70-4480	Shaft	63	54	1	70-5190	Spring	50	7	3
70-4490	Cup	62	49	1	70-5200	Bracket	50	33	4
70-4500	Spring	62	46	1	70-5210	Gasket	49	2	1
70-4510	Spring	62	48	1	70-5220	Cover	49	1	1
70-4520	Spring	62	47	1	70-5230	Rod - Push	50	10	8
70-4530	Cover	62	51	1	70-5240	Seal	51	15	4
70-4540	Slider	63	64	1	70-5250	Plate	51	31	1
70-4550	Plate	62	40	1	70-5260	Gasket	51	39	1
70-4560	Adjusting Lever Assembly	62	43	1	70-5270	Cover	53	8	1
70-4570	Stop Lever Assembly	62	50	1	70-5280	Sleeve	51	41	4
70-4580	Cap	62	20	1	70-5290	Hanger	51	40	1
70-4590	Plug	62	5	1	70-5300	Bolt	51	19	10
70-4600	Housing Assembly	64	11	1	70-5310	Fitting - 90° Elbow	57	12	1
70-4610	Valve	64	5	2	70-5320	Pin	51	30	2
70-4620	Spring	64	4	2	70-5330	Gasket	54	5	1

\*Not Illustrated

# TORO PART NUMBER INDEX (Cont.)

Part No.	Description	Pg. No.	Ref. No.	Qty.	Part No.	Description	Pg. No.	Ref. No.	Qty.
70-5340	Valve	51	32	4	70-6060	Gasket	55	8	1
70-5350	Bearing - Main (Std.)	51	14	10	70-6070	Pipe	57	7	1
70-5360	Plate - Thrust (Std.)	51	20	3	70-6080	Hose	57	6	1
70-5370	Gasket	48	5	1	70-6090	Elbow	55	3	1
70-5380	Pan - Oil	54	7	1	70-6100	Pipe - No. 2	58	12	1
70-5390	Gasket	54	6	1	70-6110	Pipe - No. 4	58	14	1
70-5400	Ring Set - Std.	52	23	4	70-6120	Pipe	59	41	1
70-5410	Pin	52	21	4	70-6130	O-Ring	58	33	1
70-5420	Nut	52	10	8	70-6140	Washer	59	43	4
70-5430	Bearing - Rod (Std.)	52	8	8	70-6150	Gasket	59	45	4
70-5440	Pulley	52	13	1	70-6160	Nozzle Assembly	59	46	4
70-5450	Idler Assembly	48	9	1	70-6170	Nozzle Tip Assembly	58	2	4
70-5460	Gasket	55	9	1	70-6180	Injection Pump	58	26	1
70-5470	Manifold	55	10	1	70-6190	Pipe - No. 1	58	11	1
70-5480	Pipe - Oil	57	16	1	70-6200	Pipe - No. 3	58	13	1
70-5490	Pipe - Oil	57	15	1	70-6210	Flange	58	34	1
70-5500	Strainer	53	31	1	70-6220	Gland	59	44	4
70-5510	Gasket	53	19	1	70-6230	Coupling Assembly	56	17	1
70-5520	Union	53	22	1	70-6240	Gasket	57	10	1
70-5530	Bracket Assembly	53	23	1	70-6250	Gasket	55	11	1
70-5540	Oil Filter Assembly	53	*	1	70-6250	Gasket	57	20	1
70-5550	Gasket	53	20	1	70-6260	Plate	56	21	1
70-5560	Gage	54	13	1	70-6270	O-Ring	56	7	1
70-5570	Breather	53	1	1	70-6280	Deflector	56	9	1
70-5580	Stay	53	6	1	70-6290	Insert	56	8	1
70-5590	Connector	47	41	1	70-6300	Ring	56	6	1
70-5600	Water Pump Assembly	47	5	1	70-6310	Ring	56	10	1
70-5610	Impeller	47	11	1	70-6320	Wheel	56	5	1
70-5620	Connector	47	9	1	70-6330	Nut	56	4	1
70-5630	Shaft	47	26	1	70-6340	Cover	56	3	1
70-5640	Bracket	47	12	1	70-6350	Ring	56	20	1
70-5650	Gasket	47	7	1	70-6360	Plate	56	2	1
70-5660	Gasket	47	17	1	70-6370	Bearing	56	14	2
70-5670	Stay	47	13	1	70-6380	Bearing	56	12	1
70-5680	Pulley	47	29	1	70-6390	Ring	56	15	2
70-5690	Elbow	47	36	1	70-6400	Ring	56	18	1
70-5700	Fuel Feed Pump	58	25	1	70-6410	Sleeve	56	11	1
70-5710	Fuel Filter Assembly	59	*	1	70-6420	Ring	56	13	1
70-5720	Bracket	59	49	1	70-6430	Turbocharger Assembly	55	12	1
70-5730	Filter Element Assembly	58	38	1	70-6440	Cartridge Assembly	56	*	1
70-5740	Plate	44	2	1	70-6450	Housing	56	16	1
70-5750	Bracket	44	10	1	70-6460	Bearing Housing Assembly	56	22	1
70-5760	Alternator Assembly	44	1	1	70-6470	Shaft & Turbine Wheel Assy.	56	19	1
70-5770	Lever	58	22	1	70-6480	Pin	62	15	1
70-5780	Seal	48	13	1	70-6490	Ring	63	66	1
70-5790	Case	48	4	1	70-6500	O-Ring	62	37	1
70-5800	Pin	52	7	2	70-6510	O-Ring	62	22	2
70-5810	Plate	52	14	1	70-6520	Bolt	62	10	1
70-5820	Cone	52	12	1	70-6520	Bolt & Washer	62	29	3
70-5830	Gear - Crankshaft	48	12	1	70-6530	Bolt	62	7	5
70-5840	Oil Pump Assembly	53	14	1	70-6540	Bolt	61	32	4
70-5850	Cover	53	18	1	70-6550	Bolt	62	9	1
70-5860	Starter Assembly	44	7	1	70-6560	Nut	63	72	2
70-5870	Insert - Exhaust	49	9	4	70-6570	Washer - 0.1	63	61	A/R
70-5880	Insert - Inlet	49	10	4	70-6580	Washer - 0.25	63	*	A/R
70-5890	Flange	49	6	1	70-6590	Washer - 0.5	63	*	A/R
70-5900	Cylinder Head Assembly	49	8	1	70-6600	Washer - 0.2	63	*	A/R
70-5910	Valve - Inlet	50	20	4	70-6610	Washer - 0.2	63	65	A/R
70-5920	Valve - Exhaust	50	19	4	70-6620	Washer - 0.3	63	*	A/R
70-5930	Spring	50	16	8	70-6630	Washer - 0.4	63	*	A/R
70-5940	Camshaft	50	21	1	70-6640	Washer - 0.1	63	*	A/R
70-5950	Connector	51	12	1	70-6650	Washer - 1.0	63	*	A/R
70-5960	Crankcase Assembly	51	1	1	70-6660	Washer - 1.0	63	*	A/R
70-5970	Housing	54	1	1	70-6670	Washer	63	70	1
70-5980	Piston (Std.)	52	22	4	70-6680	Washer	61	34	1
70-5990	Connecting Rod - Std.	52	1	4	70-6690	Washer	62	35	2
70-6000	Bushing	52	2	4	70-6700	Washer	64	16	1
70-6010	Bolt	52	19	8	70-6710	Washer	62	4	1
70-6020	Crankshaft Assembly	52	18	1	70-6720	Stud	61	27	3
70-6030	Flywheel Assembly	52	4	1	70-6730	Bolt	62	42	1
70-6040	Gear - Injection Pump	48	11	1	70-6740	Bolt	62	26	2
70-6050	Manifold	55	5	1	70-6750	Bolt	62	41	4

\*Not Illustrated

# TORO PART NUMBER INDEX (Cont.)

3315-624

Part No.	Description	Pg. No.	Ref. No.	Qty.	Part No.	Description	Pg. No.	Ref. No.	Qty.
70-6760	Bolt & Washer	62	39	2	71-2260	Spring	3	27	2
70-6770	Nut	62	36	1	71-2270	Nut - Special	3	23	1
70-6780	Nut	61	33	1	71-2280	Band - Weight Indicator	3	10	1
70-6790	Packing	62	28	1	71-2290	Bearing - Tribble	3	4	1
70-6800	E-Ring	60	23	4	71-2300	Bumper	3	9	2
70-6810	E-Ring	62	11	2	71-2310	Plate - Lower Suspension	3	8	1
70-6820	Ring	64	9	1	71-2320	Pin	3	21	2
70-6830	Pin	58	3	8	71-2330	Ring - Snap	3	19	2
70-6840	Bearing	61	36	1	71-2340	Absorber - Shock	3	20	1
70-6850	Bearing	60	6	2	71-2380	Washer	2	7	2
70-6860	Key	62	14	1	71-2390	Rivet - Pop	2	8	2
70-6870	Key	62	2	1	71-2400	Assembly - Bumper	2	6	2
70-6880	Key	61	29	1	71-2410	Plate - Upper Suspension	2	5	1
70-6890	O-Ring	62	52	1	71-2420	Bellows - Rubber	2	12	1
70-6900	O-Ring	61	26	1	71-2430	Plate - Rear	11	16	1
70-6910	O-Ring	61	47	4	71-2450	Cover - Access	24	24	1
70-6920	Seal	62	44	1	71-2460	Plate - Control	14	5	1
70-6930	Screw	60	24	1	71-2470	Rim	28	29	2
70-6940	Screw	64	1	1	71-2530	Bearing Assembly	89	6	1
70-6940	Screw	61	39	1	71-2550	Washer - Latch Shaft	84	9	2
70-6990	Level Sensing Unit Assembly	19	2	1	71-2560	Support - Bulkhead	27	37	2
70-8620	Cap - Fuel	19	10	1	71-2570	Shaft - Pivot	74	3	1
70-8640	Cap - Hydraulic	20	36	1	71-2580	Shaft - Lift Arm Pivot	81	26	2
71-0060	Support - Foam	39	8	1	71-2590	Shaft - Pivot	71	5	1
71-0150	Lift Arm Assembly R.H.	81	*	1	71-2590	Shaft - Pivot	74	24	1
71-0150	Lift Arm Assembly R.H.	85	*	1	71-2600	Tube - Anti - Sway	85	11	2
71-0160	Lift Arm Assembly L.H.	85	25	1	71-2610	Shaft - Deck Pivot	86	15	2
71-0160	Lift Arm Assembly L.H.	81	33	1	71-2620	Shaft - Lift Arm Elbow	85	23	2
71-0170	Arm - Outer Lift R.H.	85	*	1	71-2630	Solenoid Valve Assembly	25	*	1
71-0180	Arm - Outer Lift L.H.	85	10	1	71-2680	Hose - Vent	20	31	1
71-0210	Foam - Radiator Seal	40	13	1	71-2680	Hose - Vent	41	53	1
71-0220	Foam - Louver Lower	38	11	1	71-2690	Hose - Fuel	66	7	1
71-0230	Foam - Louver Middle	38	7	1	71-3810	Coupling - Hydraulic Motor	28	34	2
71-0240	Foam - Louver Top	38	5	2	71-3830	Bellcrank - Brake	32	21	2
71-0250	Foam - Hood Top	39	2	1	71-3850	Cover - Housing	32	15	2
71-0260	Foam - Hood Side L.H.	39	3	1	71-3860	Clevis	32	28	2
71-0270	Foam - Hood Side R.H.	39	1	1	71-3870	Gasket	32	14	2
71-0280	Foam - Cowl Top	38	3	1	71-3880	Clevis - Brake Cable	28	15	2
71-0290	Foam - Cowl Bottom	38	29	1	71-3880	Clevis - Brake Cable	32	23	2
71-0300	Foam - Low Front Cowl L.H.	38	17	1	71-3900	Gasket	32	25	2
71-0310	Foam - Low Front Cowl R.H.	38	*	1	71-3910	Collar	32	34	2
71-0320	Foam - Low Rear Cowl R.H.	38	*	1	71-3920	Gasket	32	33	2
71-0330	Foam - Low Rear Cowl L.H.	38	30	1	71-3970	Tube - Hydraulic	24	9	1
71-0340	Foam - Rad. Support L.H.	40	36	1	71-3970	Tube - Hydraulic	18	17	1
71-0350	Foam - Rad. Support R.H.	40	1	1	71-3990	Cap - Brake Housing	28	20	2
71-0360	Foam - Rad. Support Top	40	3	1	71-4010	Housing - Brake	28	13	2
71-0370	Foam - Lower Rad. Support	40	34	2	71-4060	Rod - Brake Latch	4	40	1
71-0380	Foam - Rad. Support Front	40	42	1	71-4100	Plate - Clamp	85	28	2
71-0390	Foam - Rad. Support Rear	40	44	1	71-4110	Cap - Actuator	32	36	2
71-0400	Foam - Side Panel	39	14	2	71-4130	Support - Control	11	17	1
71-0410	Cover - Abrasive	10	4	1	71-4170	Switch - Toggle	14	19	1
71-0420	Floor - Abrasive	25	66	1	71-4200	Cluster - Warning Light	13	6	1
71-0430	Cover - Abrasive	25	64	1	71-4210	Cluster - Warning Light	13	4	1
71-0440	Abrasive - Pedal Front	9	25	1	71-4230	Panel	13	3	1
71-0450	Abrasive - Pedal Rear	9	29	1	71-4250	Spacer	13	20	2
71-0470	Disc - Middle	28	19	4	71-4260	Decal - H.O.C.	87	28	2
71-0480	Suspension Assembly	3	*	1	71-4260	Decal - H.O.C.	78	56	1
71-0490	Pump Drive Shaft Assembly	34	*	1	71-4280	Sending Unit - Oil Pressure	43	61	1
71-0500	Yoke - Engine End	33	8	1	72-3790	Wire - Neutral Switch	33	24	1
71-0510	Shaft - Slip Yoke	33	6	1	72-4070	Decal - Danger	29	47	2
71-0520	Yoke - Pump End	33	3	1	72-4080	Decal - Danger	68	37	1
71-0530	Tube - Slip Yoke	33	4	1	72-4080	Decal - Danger	25	71	2
71-0540	Column - Steering	4	27	1	72-4310	Switch - Ball	74	11	1
71-2170	Pin	3	22	1	72-4310	Switch - Lift	81	32	2
71-2180	Bearing	3	2	4	72-9550	Stud - Fuel Tank	19	17	1
71-2190	Pin	3	3	1	72-9760	Switch - Push Button	14	15	2
71-2200	Bracket - Swing Arm	3	33	1	74-0720	Tube - Manual	2	1	1
71-2210	Pin	3	13	1	74-2170	Cylinder - Lift	82	43	2
71-2220	Pin	3	16	1	74-2180	Ring - Steel	83	9	1
71-2230	Ring - Snap	3	14	1	74-2190	Cushion	83	10	1
71-2240	Knob Assembly	3	15	1	74-2200	Head	83	4	1
71-2250	Bracket - Spring	3	18	1	74-2210	Piston	83	12	1

\*Not Illustrated

# TORO PART NUMBER INDEX (Cont.)

Part No.	Description	Pg. No.	Ref. No.	Qty.	Part No.	Description	Pg. No.	Ref. No.	Qty.
74-2220	Collar	83	2	1	83-6630	Shim - Switch	1	5	1
74-2230	Shaft/Clevis	83	1	1	83-6640	Sensor - Switch	1	8	1
74-2270	Fitting - Suction	22	23	1	83-6660	Support - Seat	2	11	1
74-2340	Decal - Fuse	14	22	1	83-6690	Plate W. A. - Seat	1	15	1
74-2510	Tube - Hydraulic L.H.	7	13	1	83-6700	Plate W.A. - Suspension	1	9	1
74-2520	Tube - Hydraulic R.H.	7	14	1	83-8350	Fitting - Traction, L.H.	24	20	1
74-2530	Tube - Hydraulic	7	11	1	83-8360	Fitting - Traction, R.H.	25	73	1
74-2660	Hose - Hydraulic Return	21	34	1	83-8370	Plate - Clamp	25	74	1
74-2680	Bracket - Bulkhead	82	45	1	85-4750	Display - Diagnostic	12	2	1
74-2700	Rod - Control	9	16	1	85-6140	Spring	1	16	1
74-2710	Clamp Half - Hydraulic Line	85	2	4	85-6150	Tube - Hyd. R.H. Branch	28	*	1
74-2730	Tube - Clamp	85	31	4	85-6150	Tube - Hydraulic	24	30	1
74-2750	Retainer - Clamp	85	32	2	85-6160	Pin - Spring	1	10	1
75-0540	Tether - Cap, Reservoir	20	27	1	85-6190	Link - Deck Tilt	24	1	1
75-6330	Catch - Magnetic	1	6	1	85-6210	Bracket - Rear Eng. Mount	42	37	2
75-9460	Bracket - Sealing L.H.	38	19	1	85-6230	Solenoid - Engine Run	42	45	1
75-9470	Bracket - Sealing R.H.	38	25	1	85-6260	Level Sensing Unit	20	3	1
75-9480	Bracket - Sealing Bottom	38	22	1	85-6450	Retainer - Belt	78	55	1
75-9650	Fork - Castor	76	24	2	86-7350	Seal Repair Kit	75	*	1
75-9670	Fork - Castor	86	32	8	86-7350	Seal Repair Kit	83	*	1
75-9790	Arm - Pivot	76	10	2	86-7410	Plate - Gage	13	5	1
76-0980	Pipe - Exhaust	42	10	1	86-7480	Spring - Compression	77	48	1
76-1670	Spring - Extension	80	25	1	86-8100	Joint - Ball	84	19	2
76-1670	Spring - Extension	74	33	1	86-8100	Joint - Ball	74	37	2
76-1670	Spring - Extension	77	36	1	86-8101	Joint - Ball	84	22	2
76-1880	10 Segmented Tire Assy.	90	3	1	88-1860	Decal - Diagnostic	12	1	1
76-1890	13 Segmented Tire Assy.	90	5	1	88-6760	Spring - Gas	39	19	2
76-2060	V-Belt	79	*	1	88-6770	Stud - Ball	39	18	2
76-2060	V-Belt	80	*	1	88-6770	Stud - Ball	41	56	2
76-2060	V-Belt	87	*	6	88-9190	Solenoid Coil Assembly	69	23	3
76-2750	Hydraulic Hose Assembly	77	2	1	88-9260	Bracket - Roller RH	80	38	1
76-2760	Hydraulic Hose Assembly	77	1	1	88-9270	Bracket - Roller LH	79	29	1
76-2770	Hydraulic Hose Assembly	77	6	1	88-9280	Bracket - Switch	25	76	1
76-4440	Tube - Hyd. R.H. Run	28	*	1	88-9360	Hose - Hydraulic	87	8	4
76-4440	Tube - Hydraulic	21	33	1	88-9370	Hose - Hydraulic	87	9	2
76-4450	Tube - Hydraulic	21	4	1	88-9420	Wire Harness Assembly	11	*	1
76-4470	Valve - Check	21	8	1	88-9430	Decal - Fuse	11	5	1
76-4590	Screw	30	16	6	88-9450	Bracket - Hood Cylinder	40	37	2
76-4590	Screw	36	27	6	88-9510	Wire - Switch	25	79	1
76-4600	Gasket - Cover	36	38	1	92-1654	Castor Wheel Assembly	86	30	8
76-4600	Gasket - Front Cover	30	26	1	92-1654	Castor Wheel Assembly	76	12	2
76-4610	Cover	36	33	1	92-1741	Tube - Hydraulic	28	42	1
76-4610	Cover - Front	30	15	1	92-1742	Tube - Hydraulic	21	40	1
76-8750	Plate - Caution	40	45	2	92-1742	Tube - Hydraulic L.H.	28	12	1
77-0950	Washer - Castor	76	33	2	92-1771	Board - Instrument	13	16	1
77-0950	Washer - Castor	86	41	8	92-1772	Hood Assembly	39	4	1
77-2830	Rod - Spring	77	44	1	92-1792	Repair Kit	73	*	1
77-2990	Cable - Throttle	15	8	1	92-1794	Controller	11	22	1
77-5390	Tank - Hydraulic	20	4	1	92-2351	Fitting - Tank Return	21	36	1
80-0010	Tank - Fuel	19	11	1	92-2352	Hose - Hydraulic	21	35	1
80-0120	Cable - Positive	68	12	1	92-2362	Castor Wheel Assembly	76	23	2
80-0130	Cable - Negative	68	11	1	92-3047	Valve - Solenoid	25	62	1
80-0160	Tray - Battery	68	18	1	92-3048	Solenoid Coil Kit	25	54	3
80-4890	Decal - Service	11	32	1	92-3049	Valve Seal Kit	25	*	1
80-9330	Alarm - Audio	11	3	1	92-3071	Spool - Solenoid Valve	69	25	3
82-2560	Decal - Belt Routing	77	39	1	213-31	Cover - Steering Wheel	4	8	1
82-4910	Roller	79	27	1	217-116	Rim	71	23	2
82-4910	Roller	80	36	1	218-242	Switch - Brake	7	25	1
82-7780	Housing - Actuator, L.H.	32	*	1	218-243	Fitting - Tee	7	12	1
82-7790	Housing - Actuator, R.H.	32	12	1	218-446	Nut - Hex	14	9	1
82-7820	Seat - Brake, Tube	32	13	2	218-447	Washer - Lock	14	8	1
82-7830	Screw - Bleed, Brake	32	11	2	218-498	Nut	13	18	2
82-7840	Piston - Brake	32	7	2	218-498	Nut - Hex	14	7	10
82-7850	Spring - Compression	32	4	2	218-533	Lens - Indicator Light (Red)	4	7	1
82-7900	Shaft - Arm	85	34	2	218-535	Nut - Hex.	4	24	3
82-7930	Arm - Anti-Sway L.H.	85	14	1	218-536	Washer - Lock	4	23	3
82-7940	Arm - Anti-Sway R.H.	85	*	1	218-562	Lens - Indicator Light	4	11	2
82-8160	Spacer	85	33	4	218-573	Fuse - 5A	11	*	1
82-8170	Clamp - Hose	85	27	6	218-581	Fuse - 15A	11	33	6
82-9060	Track & Latch - Adjustment	2	4	1	219-17	Bulb - Light	13	9	8
83-4330	Assy. - Tube, Traction L.H.	24	19	2	2115-95	Kit - Universal Joint	33	7	2
83-4340	Assy. - Tube, Traction R.H.	24	21	2	2116-3	Joint - Ball L.H.	71	*	1

\*Not Illustrated

# TORO PART NUMBER INDEX (Cont.)

3315-624

Part No.	Description	Pg. Ref. No. No. Qty.	Part No.	Description	Pg. Ref. No. No. Qty.
2116-4	Joint - Ball R.H.	71 35 1	237-81	Seal - O-Ring	69 19 8
231-139	Tire - R.H. (Optional)	28 * 2	237-101	Seal - O-Ring	21 24 2
231-140	Tire - L.H. (Optional)	28 * 1	237-116	Seal - O-Ring	22 9 1
232-27	Stem - Valve	71 29 2	237-146	Seal - O-Ring	28 5 4
233-17	Knob	4 3 1	237-146	Seal - O-Ring	69 14 1
233-42	Knob	16 3 3	237-146	Seal - O-Ring	33 19 3
233-48	Knob	15 3 1	237-154	Seal - O-Ring	66 10 1
233-66	Knob	14 10 1	237-155	Seal - O-Ring	21 20 1
237-21	Seal - O-Ring	28 3 2	237-156	Seal - O-Ring	18 13 8
237-21	Seal - O-Ring	18 6 2	237-156	Seal - O-Ring	69 30 30
237-21	Seal - O-Ring	27 29 4	237-157	Seal - O-Ring	20 16 1
237-21	Seal - O-Ring	72 52 4	237-158	Seal - O-Ring	28 21 4
237-21	Seal - O-Ring	25 58 3	237-164	Grommet	27 7 1
237-22	Seal - O-Ring	24 32 6	237-174	O-Ring	32 9 2
237-22	Seal - O-Ring	77 7 1	237-175	O-Ring	32 6 2
237-22	Seal - O-Ring	74 8 7	240-2	Grommet	27 6 2
237-22	Seal - O-Ring	87 10 2	240-3	Grommet	81 8 4
237-22	Seal - O-Ring	16 14 9	240-4	Grommet	24 6 6
237-22	Seal - O-Ring	40 17 2	240-4	Grommet	81 18 10
237-22	Seal - O-Ring	81 19 14	240-5	Grommet	24 28 2
237-22	Seal - O-Ring	18 21 7	240-6	Grommet	27 31 4
237-22	Seal - O-Ring	20 21 1	240-7	Grommet	27 32 1
237-22	Seal - O-Ring	4 37 4	240-7	Grommet	25 47 4
237-22	Seal - O-Ring	71 45 6	240-8	Grommet	85 30 4
237-22	Seal - O-Ring	43 56 2	2410-10	Plug - Button	25 72 1
237-22	Seal - O-Ring	37 64 1	2410-71	Plug	32 1 2
237-22	Seal - O-Ring	21 5 5	2410-73	Pin - Tether	20 35 1
237-30	Seal - O-Ring	24 8 3	2411-40	Joint - Ball	85 13 4
237-30	Seal - O-Ring	21 13 2	2411-41	End - Rod	43 52 2
237-30	Seal - O-Ring	33 17 2	2412-3	Clamp - Hose	20 15 1
237-30	Seal - O-Ring	18 22 2	2412-6	Clamp - Hose	66 2 2
237-37	Bumper - Rubber	68 34 4	2412-6	Clamp - Hose	40 6 1
237-42	Seal - O-Ring	28 1 2	2412-6	Clamp - Hose	19 15 1
237-42	Seal - O-Ring	74 6 4	2412-7	Clamp Assembly	71 38 2
237-42	Seal - O-Ring	69 7 1	2412-34	Clamp - Hose	20 11 1
237-42	Seal - O-Ring	87 12 2	2412-39	Clamp	68 39 1
237-42	Seal - O-Ring	33 23 1	2412-39	Clamp - R	43 68 1
237-42	Seal - O-Ring	16 24 5	2412-41	Clamp	68 38 2
237-42	Seal - O-Ring	18 27 6	2412-41	Clamp - R	40 38 1
237-42	Seal - O-Ring	82 42 4	2412-41	Clamp - R	43 59 2
237-42	Seal O-Ring	77 9 1	2412-42	Clamp - Hose	22 11 4
237-58	Seal - O-Ring	24 14 4	2412-42	Clamp - Hose	20 13 4
237-58	Seal - O-Ring	22 2 2	2412-42	Clamp - Hose	42 19 1
237-58	Seal - O-Ring	21 3 3	2412-70	Clamp - R	42 3 1
237-58	Seal - O-Ring	77 3 2	2412-73	Clamp - R	68 7 3
237-58	Seal - O-Ring	28 7 6	2412-73	Clamp - R	43 69 1
237-58	Seal - O-Ring	69 10 8	2412-89	Clamp - R	19 9 1
237-58	Seal - O-Ring	28 11 3	2412-92	Clamp - Hose	21 9 4
237-58	Seal - O-Ring	33 21 3	2412-92	Clamp - Hose	40 11 4
237-65	Seal - O-Ring	87 7 4	2412-108	Clamp - Hose	66 6 1
237-65	Seal - O-Ring	24 18 6	2412-108	Clamp - Hose	20 32 2
237-65	Seal - O-Ring	81 20 4	2412-108	Clamp - Hose	41 52 2
237-78	Seal - O-Ring	24 13 5	2412-110	Clamp - Hose	42 16 3
237-78	Seal - O-Ring	18 8 3	2412-119	Clamp - Hose	21 39 1
237-78	Seal - O-Ring	69 33 1	2412-133	Clamp	2 2 2
237-78	Seal - O-Ring	69 41 2	2412-147	Clamp - R	40 48 1
237-78	Seal - O-Ring	71 43 4	250-5	Tie - Cable	38 34 16
237-78	Seal - O-Ring	18 4 2	251-259	Bearing - Neutral Detent	33 41 1
237-79	Seal - O-Ring	21 7 2	251-321	Bearing - Ball	90 1 2
237-79	Seal - O-Ring	16 12 2	251-321	Bearing - Castor	76 14 4
237-79	Seal - O-Ring	20 23 1	251-321	Bearing - Castor	76 22 4
237-79	Seal - O-Ring	18 24 2	251-321	Bearing - Castor	86 29 16
237-79	Seal - O-Ring	69 32 4	251-332	Spacer - Bearing	86 28 8
237-79	Seal - O-Ring	4 39 4	251-332	Spacer - Inner	90 4 1
237-80	Seal - O-Ring	21 1 1	251-332	Spacer Bearing	76 13 2
237-80	Seal - O-Ring	20 19 3	251-333	Spacer - Bearing	76 21 2
237-80	Seal - O-Ring	37 68 1	251-333	Spacer - Inner	90 6 1
237-81	Seal - O-Ring	20 1 1	251-340	Bearing - Ball	28 23 2
237-81	Seal - O-Ring	77 5 2	253-154	Seal - Wave	89 5 2
237-81	Seal - O-Ring	87 5 4	253-156	Seal - Oil	28 22 2
237-81	Seal - O-Ring	28 9 4	253-157	Ring - Cup	28 41 8
237-81	Seal - O-Ring	33 15 1	254-72	Cup - Bearing Outer	71 20 2

\*Not Illustrated

# TORO PART NUMBER INDEX (Cont.)

Part No.	Description	Pg. No.	Ref. No.	Qty.	Part No.	Description	Pg. No.	Ref. No.	Qty.
254-92	Cone - Bearing Outer	71	21	2	321-9	Screw - Cap Hex. Hd.	25	43	2
254-106	Cone - Bearing Inner	71	31	2	321-9	Screw - Cap Hex. Hd.	82	56	3
254-107	Cup - Bearing Inner	71	30	2	321-10	Screw - Cap Hex. Hd.	16	1	2
256-76	Bushing - Sleeve	85	15	4	321-10	Screw - Cap Hex. Hd.	33	47	2
256-117	Bushing - Flange	77	28	4	321-11	Screw - Cap Hex. Hd.	25	65	2
256-156	Bushing - Flange	9	30	2	321-15	Screw - Cap Hex. Hd.	85	3	4
256-172	Bearing - Sleeve	84	15	8	321-15	Screw - Cap Hex. Hd.	27	18	2
256-188	Bushing - Sleeve	80	6	1	321-19	Screw - Cap Hex. Hd.	85	29	4
256-188	Bushing - Sleeve	77	22	1	322-3	Screw - Cap Hex. Hd.	7	5	2
256-247	Bushing - Flange	6	1	4	322-5	Screw - Cap Hex. Hd.	68	27	1
256-247	Bushing - Flange	25	46	2	322-5	Screw - Cap Hex. Hd.	40	39	1
256-273	Bushing - Flange	9	28	2	322-6	Screw - Cap Hex. Hd.	40	40	4
256-304	Washer - Thrust	85	6	8	322-10	Screw - Cap Hex. Hd.	27	23	3
256-304	Washer - Thrust	71	7	6	322-11	Screw - Cap Hex. Hd.	81	1	1
256-304	Washer - Thrust	74	28	2	322-11	Screw - Cap Hex. Hd.	27	9	5
256-304	Washer - Thrust	81	29	4	322-11	Screw - Cap Hex. Hd.	68	30	1
256-304	Washer - Thrust	86	40	4	322-11	Screw - Cap Hex. Hd.	21	44	3
256-305	Washer - Thrust	79	16	2	322-13	Screw - Cap Hex. Hd.	43	76	1
256-305	Washer - Thrust	80	24	2	322-17	Screw - Cap Hex. Hd.	33	39	1
282-2	Clevis - Brake Rod	7	18	1	323-4	Screw - Cap Hex. Hd.	11	4	4
282-28	Clevis - Adjustable	15	6	2	323-4	Screw - Cap Hex. Hd.	6	21	4
283-1	Pin - Clevis	6	24	2	323-4	Screw - Cap Hex. Hd.	68	21	4
283-1	Pin - Clevis	7	24	1	323-4	Screw - Cap Hex. Hd.	39	25	2
283-2	Pin - Clevis	28	16	2	323-4	Screw - Cap Hex. Hd.	21	28	3
283-2	Pin - Clevis	32	24	2	323-4	Screw - Cap Hex. Hd.	43	70	4
283-15	Pin - Clevis	32	31	2	323-6	Screw - Cap Hex. Hd.	71	3	2
283-67	Pin - Clevis Arm End	15	5	1	323-6	Screw - Cap Hex. Hd.	79	6	6
283-70	Pin - Hitch	76	9	2	323-6	Screw - Cap Hex. Hd.	2	9	2
283-72	Pin - Lynch	1	3	1	323-6	Screw - Cap Hex. Hd.	81	12	4
285-17	Plug - Pipe	37	76	2	323-6	Screw - Cap Hex. Hd.	22	18	4
2812-4	Fitting - Reducer	40	15	2	323-6	Screw - Cap Hex. Hd.	28	18	14
302-2	Fitting - Grease	81	31	4	323-6	Screw - Cap Hex. Hd.	80	19	6
302-2	Fitting - Grease	74	2	4	323-6	Screw - Cap Hex. Hd.	39	23	4
302-2	Fitting - Grease	80	4	1	323-6	Screw - Cap Hex. Hd.	68	32	4
302-2	Fitting - Grease	85	4	4	323-6	Screw - Cap Hex. Hd.	43	60	1
302-2	Fitting - Grease	33	5	1	323-7	Screw - Cap Hex. Hd.	33	51	2
302-2	Fitting - Grease	86	13	2	323-7	Screw - Cap Hex. Hd.	22	4	8
302-2	Fitting - Grease	77	20	1	323-7	Screw - Cap Hex. Hd.	7	7	3
302-2	Fitting - Grease Str.	89	1	1	323-7	Screw - Cap Hex. Hd.	4	16	4
302-5	Fitting - Grease	73	1	1	323-7	Screw - Cap Hex. Hd.	40	41	4
302-5	Fitting - Grease	90	2	1	323-8	Screw - Cap Hex. Hd.	68	13	2
302-5	Fitting - Grease	6	3	2	323-9	Screw - Cap Hex. Hd.	1	22	2
302-5	Fitting - Grease	75	13	2	323-10	Screw - Cap Hex. Hd.	20	5	4
302-5	Fitting - Grease	71	15	3	323-15	Screw - Cap Hex. Hd.	76	17	16
302-5	Fitting - Grease	83	15	2	323-15	Screw - Cap Hex. Hd.	86	23	32
302-5	Fitting - Grease	85	22	2	323-15	Screw - Cap Hex. Hd.	82	44	2
302-5	Fitting - Grease	76	27	6	323-23	Screw - Cap Hex. Hd.	19	6	1
302-5	Fitting - Grease	77	33	2	323-34	Screw - Cap Hex. Hd.	40	8	7
302-5	Fitting - Grease	86	34	16	325-4	Screw - Cap Hex. Hd.	42	46	4
302-5	Fitting - Grease	74	40	2	325-5	Screw - Cap Hex. Hd.	4	30	3
302-5	Fitting - Grease	25	48	1	325-6	Screw - Cap Hex. Hd.	22	20	4
302-10	Fitting - Grease 45°	89	*	1	325-6	Screw - Cap Hex. Hd.	74	22	12
302-33	Fitting - Grease	84	18	4	325-6	Screw - Cap Hex. Hd.	40	43	2
302-33	Fitting - Grease	71	36	2	325-6	Screw - Cap Hex. Hd.	71	46	12
302-39	Vent	28	25	2	325-7	Screw - Cap Hex. Hd.	33	12	2
304-46	Drain - Fuel Tank	19	13	1	325-7	Screw - Cap Hex. Hd.	77	16	1
304-46	Valve - Drain	40	14	1	325-7	Screw - Cap Hex. Hd.	29	46	4
321-2	Screw - Cap Hex. Hd.	38	4	16	325-8	Screw - Cap Hex. Hd.	80	8	1
321-2	Screw - Cap Hex. Hd.	6	10	1	325-8	Screw - Cap Hex. Hd.	77	24	1
321-2	Screw - Cap Hex. Hd.	32	17	8	325-15	Screw - Cap Hex. Hd.	76	6	4
321-2	Screw - Cap, Hex. Hd.	20	26	1	325-17	Screw - Cap Hex. Hd.	42	43	4
321-3	Screw - Cap Hex. Hd.	68	3	3	325-20	Screw - Cap Hex. Hd.	86	3	8
321-3	Screw - Cap Hex. Hd.	9	6	4	327-15	Screw - Cap Hex. Hd.	76	20	2
321-3	Screw - Cap Hex. Hd.	15	10	3	327-17	Screw Cap Hex. Hd.	86	26	8
321-3	Screw - Cap Hex. Hd.	11	14	4	327-22	Screw - Cap Hex. Hd.	28	27	16
321-4	Screw - Cap Hex. Hd.	6	5	1	327-24	Screw Cap Hex. Hd.	76	15	2
321-4	Screw - Cap Hex. Hd.	33	42	2	327-80	Seal - O-Ring	34	53	2
321-4	Screw - Cap Hex. Hd.	42	51	2	328-8	Screw - Cap Hex. Hd.	81	36	4
321-5	Screw - Cap Hex. Hd.	20	10	10	328-10	Screw - Cap Hex. Hd.	74	21	2
321-6	Screw - Cap Hex. Hd.	32	37	8	328-10	Screw - Cap Hex. Hd.	81	37	2
321-6	Screw - Cap Hex. Hd.	42	38	3	328-11	Screw - Cap Hex. Hd.	38	26	2
321-9	Screw - Cap Hex. Hd.	27	22	6	328-24	Screw - Cap Hex. Hd.	82	58	4

\*Not Illustrated

# TORO PART NUMBER INDEX (Cont.)

3315-624

Part No.	Description	Pg. Ref.			Part No.	Description	Pg. Ref.		
		No.	No.	Qty.			No.	No.	Qty.
328-26	Screw - Cap Hex. Hd.	81	28	12	3253-3	Washer - Lock	20	9	10
3210-7	Screw - Cap Hex. Hd.	33	40	1	3253-3	Washer - Lock	11	15	4
3213-2	Screw - Cap Hex. Hd.	22	22	4	3253-3	Washer - Lock	32	16	8
3217-6	Nut - Lock	22	19	4	3253-3	Washer - Lock	33	46	2
3217-7	Nut - Hex.	19	19	1	3253-3	Washer - Lock	43	74	1
3217-7	Nut - Hex.	33	34	1	3253-7	Washer - Lock	33	13	2
3217-7	Nut - Lock	9	1	2	3253-7	Washer - Lock	22	21	8
3217-9	Nut - Hex.	33	14	2	3253-7	Washer - Lock	74	25	16
3217-9	Nut - Hex.	74	26	16	3253-7	Washer - Lock	28	30	22
3217-9	Nut - Jam	77	37	2	3253-8	Washer - Lock	89	14	1
3217-26	Nut - Lock	9	7	1	3253-8	Washer - Lock	28	26	16
3219-2	Nut - Hex.	33	29	1	3253-9	Washer - Lock	85	20	4
3219-5	Nut - Hex.	28	31	18	3253-15	Washer - Lock	14	21	A/R
3219-7	Nut - Lock	85	19	4	3253-21	Washer - Lock	9	2	2
3219-10	Nut - Jam	69	24	3	3253-21	Washer - Lock	19	5	2
3219-14	Nut - Hex.	42	1	2	3253-21	Washer - Lock	22	5	8
3219-14	Nut - Hex.	15	7	2	3253-21	Washer - Lock	20	6	4
3219-14	Nut - Hex.	21	17	1	3253-21	Washer - Lock	2	10	2
3220-1	Nut - Jam	67	1	1	3253-21	Washer - Lock	68	14	2
3220-1	Nut - Jam	42	50	2	3253-21	Washer - Lock	28	17	14
3220-2	Nut - Jam	7	17	1	3253-21	Washer - Lock	4	17	4
3220-4	Nut	25	53	1	3253-21	Washer - Lock	11	19	4
3220-4	Nut - Bulkhead	26	12	8	3253-21	Washer - Lock	32	19	8
3220-5	Nut - Jam	9	19	1	3253-21	Washer - Lock	39	22	6
3220-7	Nut - Jam	85	12	4	3253-21	Washer - Lock	21	29	3
3220-22	Nut - Jam	84	4	4	3253-21	Washer - Lock	33	32	3
3230-22	Bolt - Carriage	2	20	1	3253-21	Washer - Lock	40	35	12
3231-22	Bolt - Carriage	89	7	6	3253-21	Washer - Lock	43	75	4
3231-25	Bolt - Carriage	80	9	2	3254-2	Washer - Lock	68	25	1
3231-25	Bolt - Carriage	79	20	2	3254-6	Washer - Lock	16	25	1
3231-28	Bolt - Carriage	77	12	2	3254-8	Washer	85	26	4
3231-28	Bolt - Carriage	87	27	4	3256-1	Washer - Flat	42	48	1
3231-30	Bolt - Carriage	33	33	1	3256-3	Washer - Flat	43	67	3
3233-9	Bolt - Carriage	79	9	3	3256-6	Washer - Flat	9	17	1
3233-9	Bolt - Carriage	86	22	12	3256-7	Washer - Flat	1	26	1
3233-9	Bolt - Carriage	80	30	3	3256-22	Washer - Flat	14	2	8
3233-27	Bolt - Carriage	77	42	1	3256-22	Washer - Flat	27	11	2
3233-28	Bolt - Carriage	86	12	6	3256-22	Washer - Flat	11	12	4
3233-29	Bolt - Carriage	86	11	2	3256-22	Washer - Flat	4	44	1
3233-30	Bolt - Carriage	87	22	6	3256-23	Washer	13	2	4
3233-30	Bolt - Carriage	78	59	1	3256-23	Washer - Flat	2	16	4
3234-5	Screw - Cap Hex. Hd.	1	11	4	3256-23	Washer - Flat	27	24	1
3234-7	Screw - Hex. Washer Hd.	11	2	11	3256-23	Washer - Flat	25	68	2
3234-12	Screw - Hex. Flange Hd.	71	10	2	3256-24	Washer - Flat	68	15	2
3234-12	Screw - Hex. Flange Hd.	78	53	4	3256-24	Washer - Flat	89	16	A/R
3234-12	Screw - Hex. Washer Hd.	87	2	8	3256-24	Washer - Flat	39	24	6
3234-13	Screw - Hex. Flange Hd.	33	36	4	3256-24	Washer - Flat	32	27	4
3234-13	Screw - Hex. Washer Hd.	19	8	1	3256-26	Washer - Flat	15	13	1
3234-13	Screw - Hex. Washer Hd.	7	19	2	3256-26	Washer - Flat	4	29	3
3234-14	Screw - Cap Hex. Hd.	39	11	6	3256-26	Washer - Flat	29	45	4
3234-14	Screw - Cap Hex. Hd.	9	12	1	3256-26	Washer - Flat	43	54	8
3234-14	Screw - Cap Hex. Hd.	6	18	3	3256-27	Washer - Flat	1	24	1
3234-14	Screw - Cap Hex. Hd.	11	25	2	3256-56	Washer - Flat	27	21	8
3234-14	Screw - Hex. Flange Hd.	27	2	6	3256-56	Washer - Flat	81	40	3
3234-14	Screw - Hex. Flange Hd.	10	5	4	3256-56	Washer - Flat	40	47	2
3234-14	Screw - Hex. Flange Hd.	16	8	6	3256-56	Washer - Flat	25	67	2
3234-14	Screw - Hex. Flange Hd.	24	25	4	3256-69	Washer	79	26	2
3234-14	Screw - Hex. Washer Hd.	42	20	4	3256-69	Washer	80	35	2
3234-14	Screw - Hex. Washer Hd.	4	25	8	3258-19	Screw - Machine	42	14	2
3234-17	Screw - Hex. Flange Hd.	68	6	4	3269-6	Washer - Backup	38	33	22
3234-23	Screw - Cap Hex. Hd.	1	23	6	3269-15	Rivet - Pop	38	32	22
3234-28	Screw - Hex. Flange Hd.	24	10	2	3269-25	Rivet - Pop	26	1	4
3245-31	Screw - Set	9	8	1	3269-25	Rivet - Pop	79	1	4
3245-32	Screw - Set	9	26	1	3269-25	Rivet - Pop	80	1	4
3249-11	Screw	25	78	2	3269-25	Rivet - Pop	87	17	16
3249-11	Screw - Cap Hex. Hd.	33	30	2	3269-25	Rivet - Pop	77	29	8
3249-11	Screw - Machine	6	26	2	3272-1	Pin - Cotter	16	4	6
3250-27	Screw - Truss Hd.	79	5	2	3272-1	Pin - Cotter	15	9	3
3250-27	Screw - Truss Hd.	80	14	2	3272-5	Pin - Cotter	6	6	1
3253-2	Washer - Lock	21	16	1	3272-5	Pin - Cotter	4	43	1
3253-2	Washer - Lock	40	21	16	3272-6	Pin - Cotter	68	4	1
3253-2	Washer - Lock	43	65	2	3272-6	Pin - Cotter	6	9	2

\*Not Illustrated

# TORO PART NUMBER INDEX (Cont.)

Part No.	Description	Pg. No.	Ref. No.	Qty.	Part No.	Description	Pg. No.	Ref. No.	Qty.
3272-6	Pin - Cotter	16	10	2	32103-3	Nut - Wing	40	33	2
3272-6	Pin - Cotter	28	14	2	32104-16	Screw - Tapping	13	7	4
3272-6	Pin - Cotter	32	22	2	32105-1	Screw - Hex. Socket Hd.	11	7	2
3272-6	Pin - Cotter	9	22	1	32105-1	Screw - Machine	79	11	4
3272-6	Pin - Cotter	42	47	1	32105-1	Screw - Machine	80	16	4
3272-7	Pin - Cotter	9	23	2	32105-1	Screw - Machine	77	27	8
3272-7	Pin - Cotter	77	45	1	32105-1	Screw - Pan Hd.	87	21	16
3272-10	Pin - Cotter	7	16	1	32105-12	Screw - Cap Hex. Hd.	13	17	2
3272-10	Pin - Cotter	9	18	1	32105-13	Screw - Hex. Hd.	11	8	4
3272-10	Pin - Cotter	32	26	2	32107-11	Nut - Square	42	27	2
3272-12	Pin - Cotter	84	2	4	32108-103	Screw - Flat Hd.	77	18	4
3272-12	Pin - Cotter	7	6	1	32108-103	Screw - Machine Flat Hd.	85	9	4
3272-12	Pin - Cotter	71	34	6	32108-103	Screw - Machine Flat Hd.	81	25	4
3272-12	Pin - Cotter	74	35	2	32108-103	Screw - Machine Flat Hd.	24	40	4
3272-13	Pin - Cotter	71	26	2	32120-22	Ring - Retaining Internal	28	24	2
3272-23	Pin - Cotter	74	18	4	32120-47	Ring - Retaining	74	31	2
3272-33	Pin - Cotter	81	24	2	32120-47	Ring - Retaining	84	14	16
3274-7	Screw - Cap Socket Hd.	32	18	8	32120-64	Ring - Retaining	1	25	2
3274-50	Screw - Hex. Socket Hd.	33	11	2	32120-72	Ring - Retaining	80	5	1
3274-86	Screw - Cap Socket Hd.	24	15	1	32120-72	Ring - Retaining	77	21	1
3290-133	Screw - Round Hd.	13	1	4	32120-84	Ring - Retaining External	28	33	2
3290-133	Screw - Round Hd.	14	3	8	32121-4	Pin - Roll	1	13	1
3290-133	Screw - Round Hd.	11	11	4	32121-4	Pin - Roll	2	18	1
3290-134	Screw - Cap Hex. Hd.	39	13	4	32121-4	Pin - Roll	79	28	2
3290-216	Washer - Bevel	71	9	12	32121-4	Pin - Roll	80	37	2
3290-216	Washer - Bevel	40	25	4	32121-6	Pin - Roll	79	18	2
3290-271	Rivet - Pop	40	46	4	32121-6	Pin - Roll	80	21	2
3290-307	Pin - Cotter, Hair	6	25	2	32121-34	Pin - Roll	85	17	2
3290-321	Screw - Cap Hex. Hd.	39	5	12	32121-34	Pin - Roll	73	18	1
3290-321	Screw - Cap Hex. Hd.	68	20	1	32121-49	Pin - Roll	84	17	2
3290-321	Screw - Cap Hex. Hd.	40	22	16	32121-110	Pin - Roll	71	4	1
3290-321	Screw - Hex. Washer Hd.	38	14	20	32121-110	Pin - Roll	86	17	2
3290-343	Pin - Cotter Hair	76	11	2	32121-110	Pin - Roll	74	23	2
3290-378	Tie - Cable	11	*	25	32121-110	Pin - Roll	81	27	2
3290-378	Tie - Cable	6	*	3	32121-110	Pin Roll	85	24	4
3290-378	Tie - Cable	78	*	2	32122-53	Screw - Pan Head	1	7	4
3290-378	Tie - Cable	82	*	3	32122-53	Screw - Phil. Truss Hd.	11	9	2
3290-378	Tie - Cable	87	*	24	32128-19	Nut - Lock, Flange Hd.	1	21	2
3290-378	Tie - Cable	11	18	2	32128-20	Nut - Flange Lock	40	19	5
3290-378	Tie - Cable	74	41	1	32128-20	Nut - Flange Lock	4	22	2
3290-378	Tie - Cable	4	36	5	32128-20	Nut - Flange Lock	11	27	2
3290-384	Pin - Lynch	76	1	2	32128-20	Nut - Flange Lock	42	30	4
3290-384	Pin - Lynch	86	2	8	32128-20	Nut - Lock	9	13	1
3290-392	Nut - Lock	14	17	1	32128-20	Nut - Lock	6	17	3
3296-2	Nut - Flange Lock	39	7	12	32128-20	Nut - Lock	77	19	4
3296-2	Nut - Flange Lock	38	12	20	32128-20	Nut - Lock	27	38	4
3296-2	Nut - Flange Lock	68	24	1	32128-21	Nut - Flange Lock	33	2	2
3296-2	Nut - Lock	79	2	6	32128-21	Nut - Flange Lock	87	4	12
3296-2	Nut - Lock	80	10	6	32128-21	Nut - Flange Lock	89	9	6
3296-2	Nut - Lock	13	15	2	32128-21	Nut - Flange Lock	77	10	6
3296-2	Nut - Lock	87	19	16	32128-21	Nut - Flange Lock	79	10	6
3296-2	Nut - Lock	11	21	6	32128-21	Nut - Flange Lock	80	22	6
3296-2	Nut - Lock	77	34	8	32128-21	Nut - Lock	7	8	3
3296-3	Nut - Lock	32	29	2	32128-23	Nut - Flange Lock	76	3	4
3296-9	Nut - Lock	6	14	2	32128-23	Nut - Flange Lock	86	7	20
3296-9	Nut - Lock	33	37	2	32128-23	Nut - Flange Lock	79	8	3
3296-23	Nut - Lock	15	14	1	32128-23	Nut - Flange Lock	87	25	6
3296-29	Nut - Lock	1	12	4	32128-23	Nut - Flange Lock	80	26	4
3296-29	Nut - Lock	2	17	4	32128-23	Nut - Flange Lock	4	34	3
3296-41	Nut - Lock	84	8	2	32128-23	Nut - Flange Lock	77	35	4
3296-42	Nut - Keps	15	1	3	32128-23	Nut - Lock	71	8	12
3296-42	Nut - Lock	14	4	4	32128-25	Nut - Lock	32	20	2
3296-49	Nut - Lock	89	2	1	32128-43	Nut - Lock	76	19	16
3296-49	Nut - Lock	4	20	1	32128-43	Nut - Lock	86	25	32
3296-53	Nut - Lock	76	16	4	32128-45	Nut - Lock	86	8	8
3296-53	Nut - Lock	86	31	8	32136-2	Nut - Castle	84	1	4
3296-54	Nut - Lock	1	4	4	32136-2	Nut - Castle	71	41	2
3296-59	Nut - Lock	32	35	2	32136-2	Nut - Slotted	74	36	2
3296-68	Nut - Lock	74	1	2	32136-4	Nut - Castle	9	21	1
3296-68	Nut - Lock	71	11	1	32136-5	Nut - Castle	71	28	2
3296-68	Nut - Lock	86	14	2	32136-13	Nut - Castle	71	33	4
3296-68	Nut Lock	81	35	2	32140-40	Screw - Cap Hex. Hd.	19	3	5

\*Not Illustrated

# TORO PART NUMBER INDEX (Cont.)

3315-624

Part No.	Description	Pg. No.	Ref. No.	Qty.	Part No.	Description	Pg. No.	Ref. No.	Qty.
32144-11	Screw - Hex. Flange Hd.	38	21	8	340-65	Seal - O-Ring	69	12	2
32144-11	Screw - Thread Forming	82	60	4	340-65	Seal - O-Ring	21	22	1
32144-19	Screw - Round Hd.	13	24	4	340-65	Seal - O-Ring	40	28	3
32144-64	Screw - Hex. Washer Hd.	4	13	4	340-68	Fitting - Hydraulic Bulk. Tee	74	14	1
32144-69	Screw - Cap, Hex. Hd.	41	54	6	340-68	Fitting - Hydraulic Bulkhead	71	2	2
32144-96	Screw - Mach. Round Hd.	4	42	3	340-70	Nut - Bulkhead	24	4	6
32149-2	Nut - Keps	38	2	16	340-70	Nut - Bulkhead	74	13	1
32149-2	Nut - Keps	9	4	4	340-70	Nut - Bulkhead	81	15	10
32149-2	Nut - Keps	16	7	2	340-70	Nut - Bulkhead	72	48	2
32149-2	Nut - Keps	68	8	3	340-74	Nut - Bulkhead	81	11	4
32149-2	Nut - Keps	39	16	16	340-77	Fitting - Hydraulic Elbow	74	19	2
32149-2	Nut - Keps	7	20	2	340-77	Fitting - Hydraulic Elbow	81	41	4
32149-2	Nut - Keps	42	33	5	340-78	Nut - Bulkhead	27	34	4
32149-2	Nut - Keps	25	55	2	340-79	Fitting - Hydraulic 90° Elbow	21	23	1
32149-7	Nut	39	30	4	340-82	Fitting - Hydraulic Elbow	28	4	2
32149-7	Nut - Keps	11	23	3	340-86	Fitting - Hydraulic Tee	16	15	2
32151-10	Ring - Retaining	71	14	2	340-87	Fitting - Hydraulic Elbow	74	5	2
32151-10	Ring - Retaining	85	21	2	340-91	Fitting - Hydraulic Straight	28	6	4
32151-48	Ring - Retaining	76	8	4	340-92	Fitting - Hydraulic Straight	18	7	2
32151-100	Ring - Retaining	32	2	2	340-92	Fitting - Hydraulic	25	56	1
32152-1	Nut	39	31	2	340-94	Tee - Hydraulic	18	35	1
32152-1	Nut - Lock	7	2	2	340-105	Fitting - Hydraulic Elbow	34	55	1
32152-1	Nut - Lock	81	3	5	340-123	Fitting - Hydraulic	25	61	1
32152-1	Nut - Lock	85	7	4	340-124	Fitting - Hydraulic Straight	40	16	2
32152-1	Nut - Lock	6	12	4	340-125	Fitting - Hydraulic	25	59	1
32152-1	Nut - Lock	27	13	8	340-126	Nut - Bulkhead	24	3	2
32152-1	Nut - Lock	68	26	2	340-127	Nut - Bulkhead	24	29	2
32152-1	Nut - Lock	24	36	1	340-128	Nut - Bulkhead	27	3	2
32152-1	Nut - Lock	21	41	3	340-129	Fitting - Hydraulic Elbow	69	13	1
32152-1	Nut - Lock	25	42	4	340-130	Fitting - Hydraulic Elbow	34	54	1
32152-1	Nut - Lock	41	57	2	340-131	Fitting - Hydraulic Elbow	33	16	1
32152-1	Nut - Lock	43	57	2	340-132	Fitting - Hydraulic Elbow	71	44	4
32152-2	Nut - Lock	81	5	6	340-133	Fitting - Hydraulic Straight	4	32	3
32152-2	Nut - Lock	22	16	4	340-134	Fitting - Hydraulic Elbow	33	48	1
32152-2	Nut - Lock	68	22	4	340-135	Seal - O-Ring	22	7	2
32152-2	Nut - Lock	40	27	7	340-136	Seal - O-Ring	21	37	1
32152-2	Nut - Lock	72	47	2	340-142	Fitting - Hydraulic Elbow	77	4	2
32152-4	Nut - Lock	85	1	4	340-142	Fitting - Hydraulic Elbow	69	15	1
32152-4	Nut - Lock	27	12	6	340-142	Fitting - Hydraulic Elbow	29	43	2
32152-4	Nut - Lock	6	15	2	340-148	Fitting - Hydraulic Tee R.H.	28	*	1
32152-4	Nut - Lock	33	27	2	340-150	Cap - Hydraulic	21	38	1
32152-4	Nut - Lock	25	45	2	353-375	Fitting - Hydraulic 90° Elbow	24	12	2
32152-4	Nut Lock	81	23	3	353-431	Fitting - Hydraulic 45° Elbow	69	42	2
32153-3	Nut - Lock	33	44	1	353-566	Tee - Hydraulic	18	16	1
32153-5	Nut - Lock	40	26	2	353-781	Fitting - Fuel 90 Elbow	19	16	1
32153-5	Nut - Lock	42	41	8	353-781	Fitting - Fuel Elbow	66	3	2
32153-6	Nut - Lock	81	4	22	353-947	Cap - Fitting	26	2	8
32153-6	Nut - Lock	74	20	2	353-988	Plug	69	39	4
32153-6	Nut Lock	38	24	2	353-989	Plug	69	6	1
340-2	Fitting - Hydraulic Straight	16	23	3	353-990	Plug	69	34	1
340-2	Fitting - Hydraulic Straight	18	26	5	353-990	Plug - Hose	18	3	2
340-2	Fitting - Hydraulic Straight	87	11	2	353-991	Plug	69	31	30
340-3	Fitting - Hydraulic Straight	16	13	2	353-991	Plug - Hole	18	12	8
340-3	Fitting - Hydraulic Straight	20	22	1	353-992	Flange - Fitting	22	6	4
340-4	Fitting - Hydraulic Straight	18	23	2	353-994	Adapter	7	10	1
340-8	Fitting - Hydraulic Straight	87	6	4	353-997	Fitting - Hydraulic Bulkhead	26	3	8
340-9	Fitting - Hydraulic St. L.H.	28	10	1	354-42	Flange - Half	22	10	2
340-9	Fitting - Hydraulic Straight	69	18	7	354-95	Fitting	41	51	1
340-15	Fitting - Hydraulic Elbow	33	20	3	354-104	Ring - Backup	32	5	2
340-18	Fitting - Hydraulic 90° Elbow	21	6	2	354-105	Ring - Backup	32	10	2
340-22	Fitting - Hydraulic Tee	21	2	1					

\*Not Illustrated

# TABLE OF CONTENTS

Description	Page	Description	Page
Seat Assembly .....	1	Rocker Cover & Cylinder Head Assembly .....	49
Seat Pivot & Bellows Assembly .....	2	Valve & Camshaft Assembly .....	50
Seat Suspension Assembly .....	3	Crankcase Assembly .....	51
Steering Tower Assembly .....	4	Piston, Connecting Rod, Crankshaft & Flywheel ..	52
Power Steering Valve Assembly No. 69-1850 ....	5	Oil Pump, Breather & Filter .....	53
Steering Brake Assembly .....	6	Flywheel Housing & Oil Pan Assembly .....	54
Service Brake Assembly .....	7	Intake & Exhaust Manifold Assembly .....	55
Brake System Master Cylinder No. 69-2640 .....	8	Turbocharger Assembly No. 70-6430 .....	56
Traction Pedal & Cruise Control Assembly .....	9	Turbocharger Oil Pipe Assembly .....	57
Tool Box Assembly .....	10	Fuel System Assembly .....	58-59
Control Box Assembly .....	11	Fuel Injection Pump Assembly .....	60-61
Diagnostic Display Assembly .....	12	Governor Assembly .....	62-63
Upper Control Panel Assembly .....	13	Fuel Feed Pump Assembly No. 70-5700 .....	64
Lower Control Panel Assembly .....	14	Air Cleaner Assembly No. 69-1890 .....	65
Throttle Assembly .....	15	Fuel Filter Assembly .....	66
Lift Valve Installation Assembly .....	16	Solenoid Valve Assembly No. 69-4330 .....	67
Lift Valve Assembly No. 69-1780 .....	17	Battery Frame Assembly .....	68
Counterbalance Manifold Assembly .....	18	PTO Manifold Assembly .....	69-70
Fuel Tank Assembly .....	19	Rear Axle Assembly .....	71-72
Hydraulic Tank Assembly .....	20	Hydraulic Steering Cylinder .....	73
Hydraulic Filter Assembly .....	21	Front Lift Arm Assembly .....	74
Hydraulic Pump Installation Assembly .....	22	Hydraulic Cylinder Assembly No. 69-2180 .....	75
Double Gear Pump No. 69-2050 .....	23	Center Deck Model No. 30592	
Frame Assembly .....	24-25	Carrier Frame Assembly .....	76
Hydraulic System Diagnostic Panel Assembly ...	26	Center Deck Model No. 30592 .....	77-78
Hydraulic Line Clamps Assembly .....	27	Center Deck Model No. 30592	
Front Wheel Assembly .....	28-29	Left Wing Assembly .....	79
Wheel Motor No. 69-3050 .....	30	Center Deck Model No. 30592	
Planetary Gear Drive Assembly No. 69-1730 ....	31	Ring Wing Assembly .....	80
Wheel Brake Assembly .....	32	Wing Deck Lift Assembly .....	81-82
Variable Displacement Pump Installation ....	33-34	Hydraulic Cylinder Assembly No. 74-2170 .....	83
Gear Pump & Flow Divider No. 69-2220 .....	35	Wing Deck Latch Assembly .....	84
Variable Displacement Pump No. 69-3040 ..	36-37	Wing Deck Lift Arm Assembly .....	85
Cowl Assembly .....	38	Wing Deck Model No. 30591 L.H. & 30593 R.H. ...	86
Hood Assembly .....	39	Wing Deck Model No. 30591 L.H. & 30593 R.H.	
Radiator & Oil Cooler Assembly .....	40-41	Drive Assembly .....	87
Engine Installation Assembly .....	42-43	Hydraulic Motor Assembly No. 69-2780 .....	88
Starter & Alternator Installation Assembly .....	44	Spindle Assembly .....	89
Starter Motor Assembly No. 70-5860 .....	45	10" & 13" Segmented Tire Assemblies	
Alternator Assembly No. 70-5760 .....	46	(Optional) .....	90
Water Pump Assembly .....	47	TORO Part Number Index .....	91-107
Timing Gear Case Assembly .....	48		