



## Reelmaster<sup>®</sup> 3100-D With Sidewinder<sup>®</sup>

Model No. 03201 - 210000001 and up.

### Parts Catalog

---

#### **Ordering Replacement Parts**

To order replacement parts, please supply the part number, the quantity, and the description of each part desired.

#### **Understanding Reference Numbers**

Each identified part in an illustration has a reference number. The reference number for a part also appears in the parts list, along with other information about the part.

This catalog uses two special reference number formats, one to indicate parts in a service assembly and another to indicate the quantity of a given part in an illustration.

#### **Service Assembly Reference Numbers**

Parts in service assemblies have reference numbers in the form a:b. The a represents the reference number of the entire service assembly and the b represents a sequential number unique to each part within the service assembly.

For example, a wheel assembly might be identified by reference number 6, the tire by 6:1, the valve by 6:2, and the wheel by 6:3. When you order the assembly identified by reference number 6, you receive all parts identified by reference numbers 6:1, 6:2, and 6:3. However, you may also order any part individually. Reference numbers of this type appear in illustrations and in part lists.

#### **Reference Numbers Indicating Quantity**

In an illustration, if a reference number indicates more than one part, the reference number has the form nX y. The n represents the quantity of the part, the X is the multiplication symbol, and the y represents the reference number.

For example, in an illustration, the reference number 2X 37 means that two of the parts identified by reference number 37 are indicated.

# Contents

<b>Description</b>	<b>Page</b>	<b>Description</b>	<b>Page</b>
Frame Assembly	..... 4	Reel Motor Assembly	..... 38
Front Wheel And Brake Assembly	..... 5	Motor Gear Assembly No. 99-3627	..... 39
Hydraulic Motor Assembly No. 75-9990	..... 6	Motor Gear Assembly No. 93-6975	..... 40
Hydraulic Motor Assembly No. 95-8693	..... 7	Battery Assembly	..... 41
Brake Assembly No. 71-1500	..... 8	Parking Brake Assembly	..... 42
Steering Column Assembly	..... 9	Lift Arm Kit Assembly	..... 43
Steering Control Assembly No. 104-0474	..... 10	Crankcase Assembly	..... 44
Rear Fork And Tire Assembly	..... 11	Oil Pan Assembly	..... 45
Hydraulic Cylinder Assembly No. 94-8141	..... 12	Cylinder Head Assembly	..... 46
Hydraulic Motor Assembly No. 95-8694	..... 13	Gear Case And Oil Filter Assembly	..... 47
Control Panel Assembly	..... 14	Head Cover Assembly	..... 48
Front Platform Assembly	..... 15	Dipstick And Guide Assembly	..... 49
Traction Pedal Assembly	..... 16	Main Bearing Case Assembly	..... 50
Control Valve Assembly	..... 17	Camshaft Assembly	..... 51
Valve Assembly No. 95-8581	..... 18	Piston And Crankshaft Assembly	..... 52
Rear Lift Arm Assembly	..... 19	Flywheel Assembly	..... 53
Hydraulic Cylinder Assembly No. 95-8978	..... 21	Fuel Camshaft Assembly	..... 54
Neutral Arm Assembly	..... 22	Engine Stop Lever Assembly	..... 55
Engine Assembly	..... 23	Stop Solenoid And Fuel Pump Assembly	..... 56
Air Cleaner And Muffler Assembly	..... 24	Injection Pump Assembly	..... 57
Radiator Assembly	..... 25	Injection Pump Assembly (continued)	..... 58
Hood Assembly	..... 26	Governor Assembly	..... 59
Fuel Tank Assembly	..... 27	Speed Control Plate Assembly	..... 60
Water/fuel Filter Assembly No. 98-9305	..... 28	Nozzle Holder And Glow Plug Assembly	..... 61
Manifold Block Assembly	..... 29	Nozzle Holder Assembly	..... 62
Hydraulic Manifold Assembly No. 95-8675	..... 30	Alternator And Pulley Assembly	..... 63
Hydraulic Tank Assembly	..... 31	Alternator Assembly	..... 64
Hydrostat Assembly	..... 32	Starter Mount Assembly	..... 65
Piston Pump Assembly No. 104-0428	..... 34	Starter Assembly	..... 66
Gear Pump Assembly No. 95-8601	..... 35	Water Flange And Thermostat Assembly	..... 67
Carrier Assembly	..... 36	Water Pump Assembly	..... 68
Scissors Assembly	..... 37	Valve And Rocker Arm Assembly	..... 69
		Exhaust Manifold And Gasket Assembly	..... 70

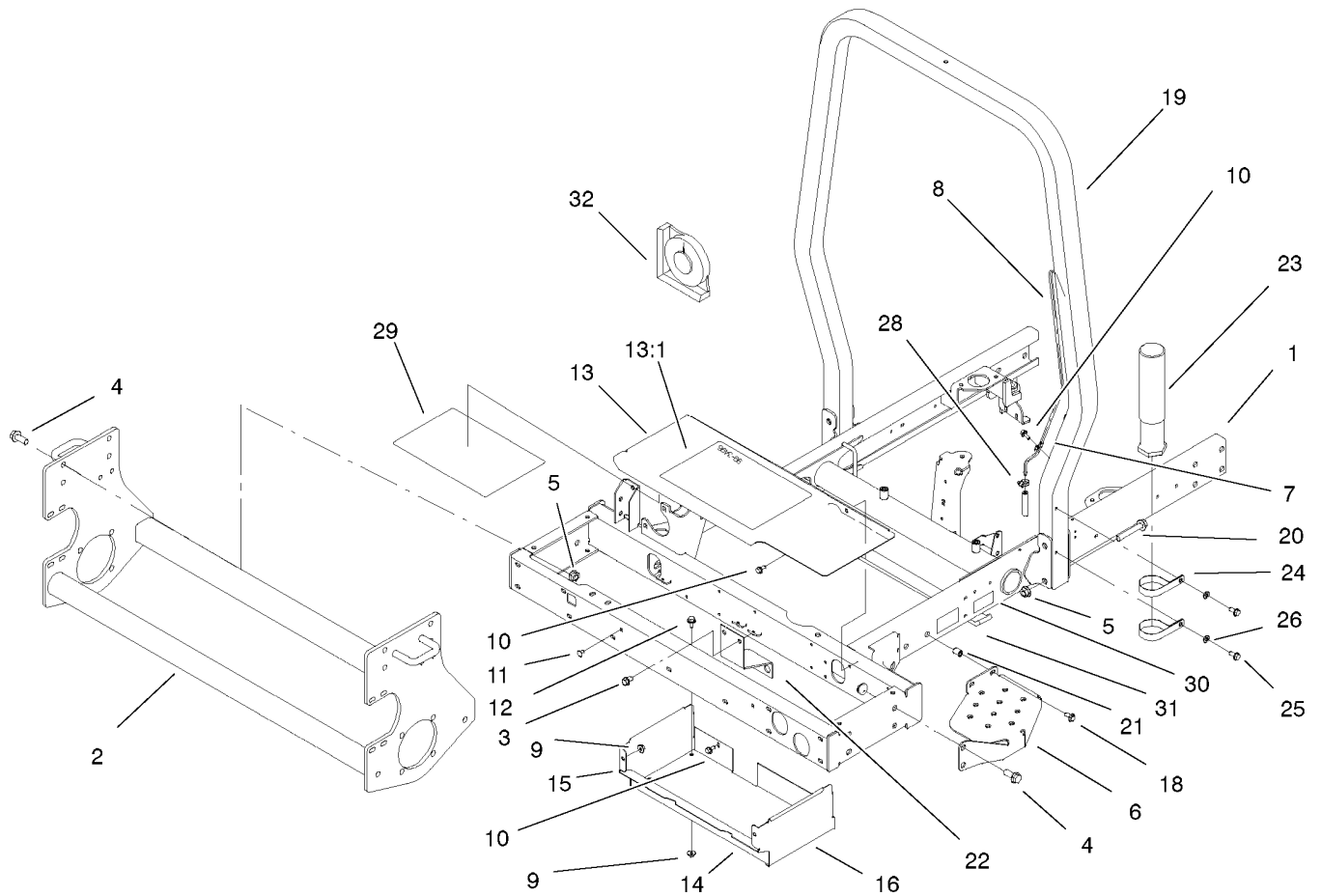
## Part Description Abbreviations

Part descriptions in this catalog may include the following abbreviations.

AR. ....	as required	HYD. ....	hydraulic
ASM. ....	assembly	LH. ....	left hand
BBC. ....	blade brake clutch	NI. ....	nylon insert
CARR. ....	carriage	NPTF. ....	national pipe thread fine
DEG. ....	degrees	PFH. ....	phillips flat head
EXT. ....	external	PPH. ....	phillips pan head
FH. ....	flat head	PPHTF. ....	phillips pan head thread forming
GA. ....	gauge	PRH. ....	phillips round head
HD. ....	heavy-duty	PTH. ....	phillips truss head
HF. ....	hex flange	PTO. ....	power-take-off
HH. ....	hex head	RH. ....	right hand
HHF. ....	hex head flange	ROPS. ....	roll-over protection system
HHFTF. ....	hex head flange thread forming	SFH. ....	slotted fillister head
HJ. ....	hex jam	SHH. ....	slotted hex head
HLH. ....	hex lag head	SHWH. ....	slotted hex washer head
HOC. ....	height-of-cut	SPH. ....	slotted pan head
HSBH. ....	hex socket button head	SQH. ....	square head
HSFH. ....	hex socket flat head	SRH. ....	slotted round head
HSH. ....	hex socket head	STD. ....	standard
HWH. ....	hex washer head	TAP. ....	self tapping
HWHTF. ....	hex washer head thread forming	TTH. ....	torx truss head

## Footnotes

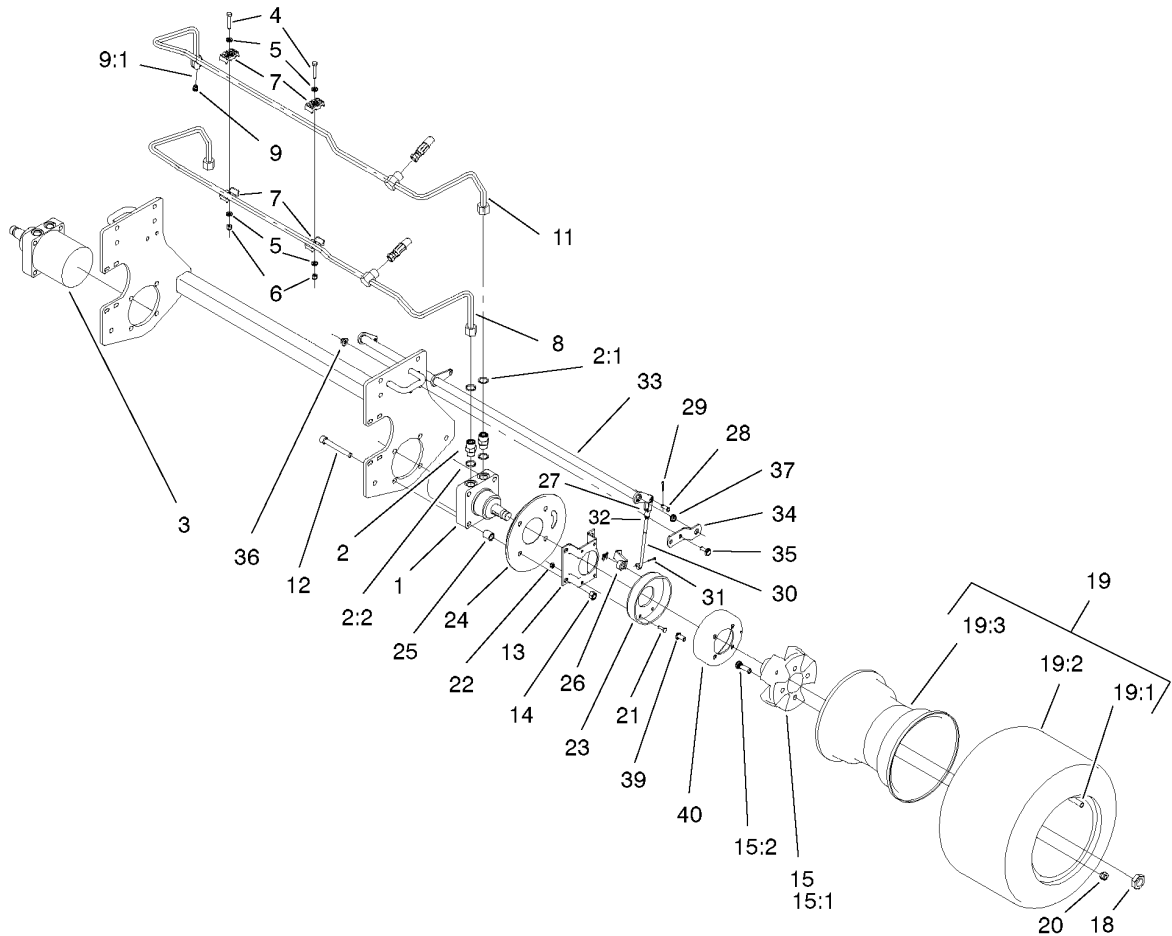
- |   |                    |   |                         |
|---|--------------------|---|-------------------------|
| ❶ | Not serviced       | ❷ | Not serviced separately |
| ❸ | * Not Illustrated  | ❹ | à Not Serviced          |
| ❺ | * Not Illustrated. |   |                         |



### Frame Assembly

Ref	Part No.	Qty.	Description
1	95-8590-03	1	Frame
2	95-8568-03	1	Frame-Lower
3	32144-15	2	Screw
4	3234-38	8	Screw-HHF
5	32128-49	12	Nut-HHF
6	99-3375-03	1	Step
7	2412-72	3	Clip-Closed, Insulated
8	95-8615	1	Tube-Breather
9	32128-33	6	Nut-HF
10	32144-10	13	Screw-HWH
11	3229-10	2	Screw-CARR
12	3234-13	4	Screw-HHF
13	99-3504	1	Toolbox Cover ASM
13:1	99-3560	1	Decal-Danger, Ce
13:1	99-3496	1	Decal
14	99-3430-03	1	Bottom-Toolbox
15	99-3431-03	1	End-Toolbox, RH
16	99-3432-03	1	End-Toolbox, LH
18	3234-5	2	Screw-HHF
19	99-3350-03	1	Tube-ROPS
20	3234-40	4	Screw-Hfh
21	32148-8	2	Insert-Threaded
22	95-8598-03	1	Bracket-Bulkhead, Scissor
23	74-0720	1	Tube-Manual

Ref	Part No.	Qty.	Description
24	2412-133	2	R-Clamp
25	32144-70	2	Screw-HH
26	3256-23	2	Washer-Flat
28	2412-108	1	Clamp-Worm
29	99-3494	1	Decal-Instructions, Service
30	63-9920	1	Decal-Level, Noise
31	85-6910	1	Decal-Rating, Noise
32	99-3503	1	Indicator-Angle

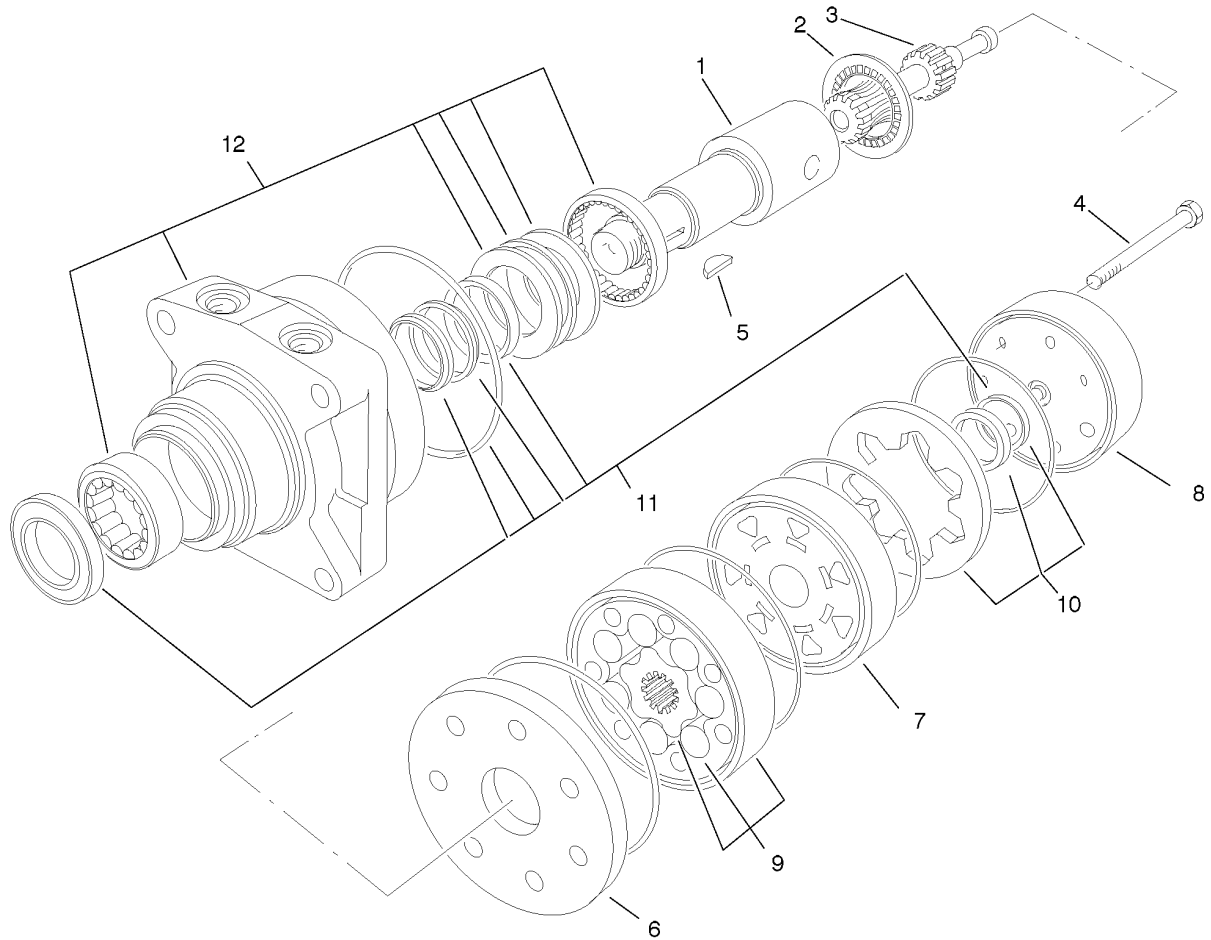


## Front Wheel And Brake Assembly

Ref	Part No.	Qty.	Description
1	75-9990	1	Hydraulic Motor ASM
2	340-7	4	Adapter
2:1	237-65	1	O-Ring
2:2	237-80	1	O-Ring
3	95-8693	1	Hydraulic Motor ASM
4	322-9	2	Screw-HH
5	3256-23	4	Washer-Flat
6	3296-29	2	Nut-Lock
7	56-7971	4	Clamp-Tube
8	95-8783	1	Tube ASM
9	353-990	1	Plug
9:1	237-78	1	O-Ring
11	95-8784	1	Tube ASM
12	3274-99	8	Screw-HSH
13	84-2000-03	2	Bracket-Brake
14	3296-23	8	Nut-Lock, NI
15		2	Wheel Hub / Stud ASM
15:1	104-0462-03	1	Hub-Wheel
15:2	10-6830	4	Stud-Type, Drive
18	26-3790	2	Nut-Lock
19		2	Tire & Wheel ASM
19:1	232-27	1	Stem-Valve
19:2	104-0451	1	Tire
19:3	104-0452	1	Rim-Wheel

Ref	Part No.	Qty.	Description
20	242-50	8	Nut-Lug
21	321-5	8	Screw-HH
22	3296-42	8	Nut-Lock NI
23	71-1500	2	Brake ASM
24	104-0485-03	2	Shield-Wheel
25	92-1715	8	Spacer
26	93-6850	2	Lever-Brake
27	282-2	2	Yoke
28	283-1	2	Pin-Yoke
29	3272-10	2	Pin-Cotter
30	95-5824	2	Rod-Adjustment
31	3272-6	2	Pin-Cotter
32	3220-2	2	Nut
33	95-8685-03	1	Shaft-Pivot, Brake
34	95-8683	2	Bracket-Pivot, Brake
35	3234-11	4	Screw-HHF
36	32128-43	4	Nut-Flange
37	256-156	2	Bushing-Flange
39	3274-105	8	Screw-HSBH
40	104-4809	2	Drum-Brake

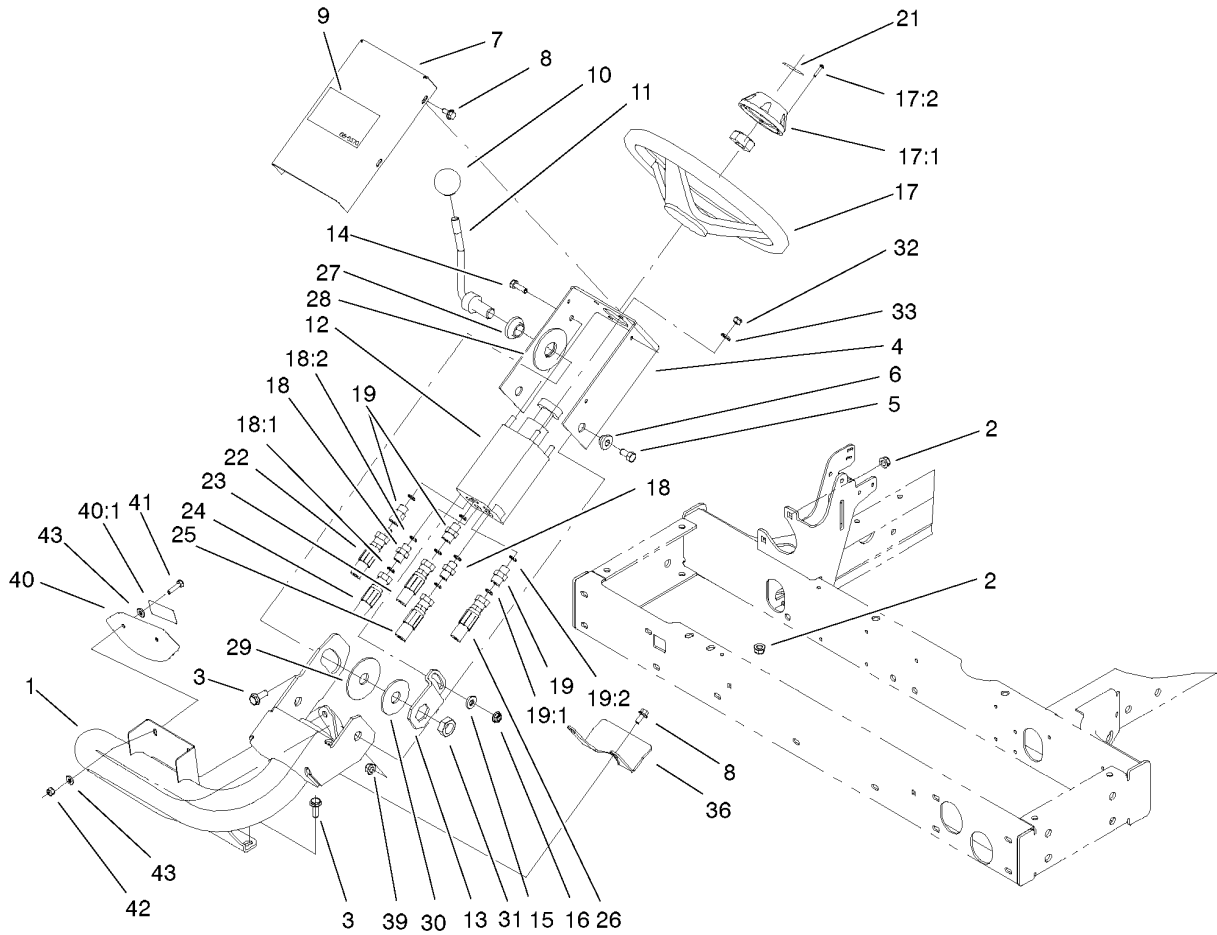




### Hydraulic Motor Assembly No. 95-8693

Ref	Part No.	Qty.	Description
1	76-0860	1	Shaft-Coupling
2	76-0850	1	Bearing-Thrust
3	76-0960	1	Link-Drive
4	76-1010	7	Screw
5	3257-42	1	Key-Woodruff
6	76-0870	1	Plate-Wear
7	99-3535	1	Manifold
8	76-0940	1	End Cover ASM
9	76-0970	1	Set-Rotor
10	76-0880	1	Commutator ASM
11	76-0800	1	Kit-Seal
12	76-0810	1	Wheel Motor Housing ASM

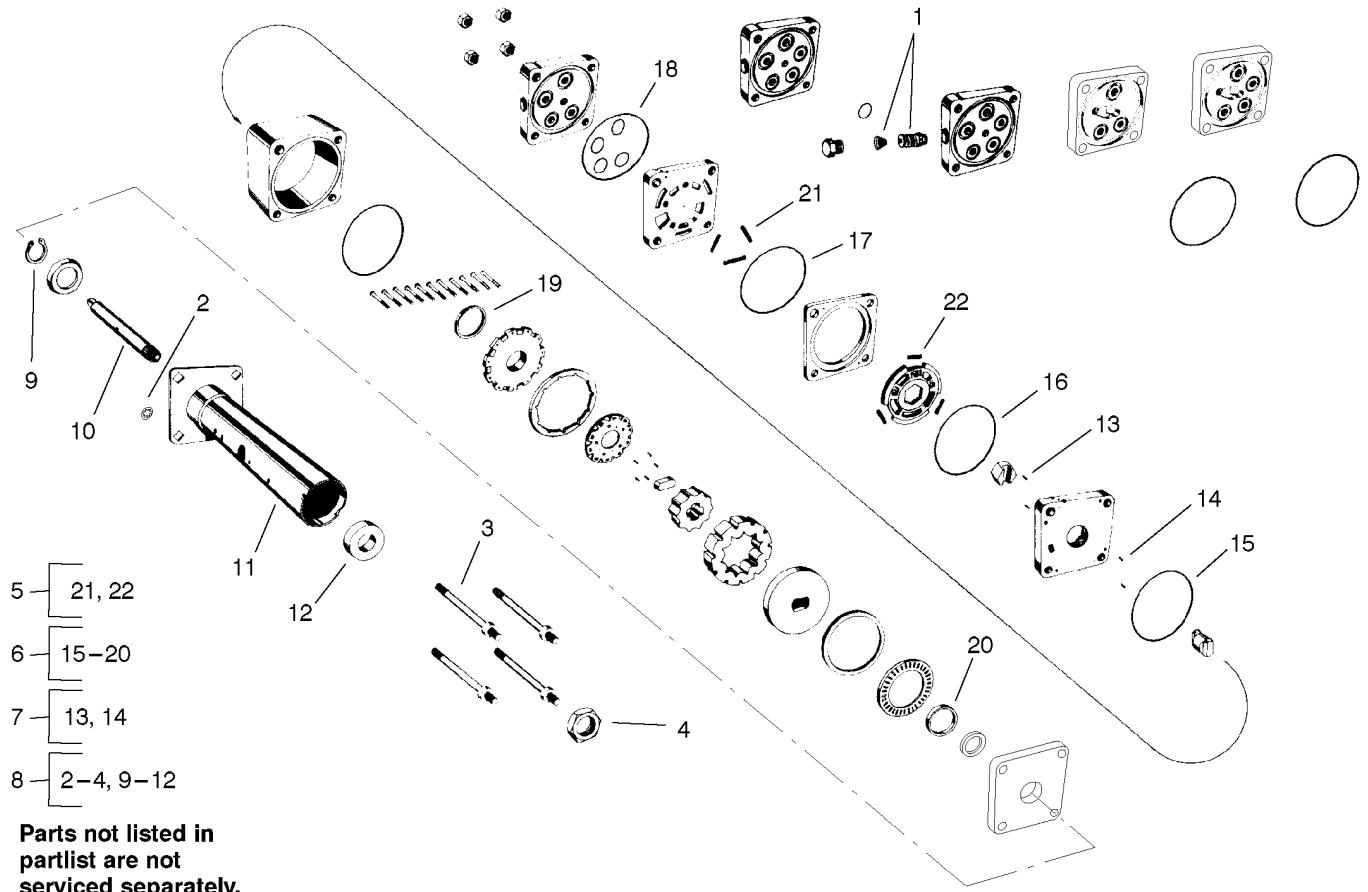




## Steering Column Assembly

Ref	Part No.	Qty.	Description
1	100-4896-01	1	Arm-Steering
2	32128-43	4	Nut-Flange
3	3234-11	4	Screw-HHF
4	95-8793-01	1	Bracket-Valve, Steering
5	323-5	2	Screw-HH
6	93-5988	2	Hub-Pivot
7	95-8794-01	1	Cover-Valve, Steering
8	32144-10	5	Screw-HWH
9	67-1300	1	Decal-Toro
10	233-48	1	Knob
11	95-8798-03	1	Lever-Steering
12	104-0474	1	Control-Steering
13	80-2880	1	Bracket-Tilt
14	322-5	1	Screw-HH
15	3256-3	1	Washer-Flat
16	32128-44	1	Nut
17	68-5130	1	Wheel-Steering
17:1	68-5140	1	Cap-Wheel, Steering
17:2	32144-21	1	Screw
18	340-1	2	Adapter
18:1	237-35	1	O-Ring
18:2	237-42	1	O-Ring
19	340-2	3	Adapter
19:1	237-22	1	O-Ring

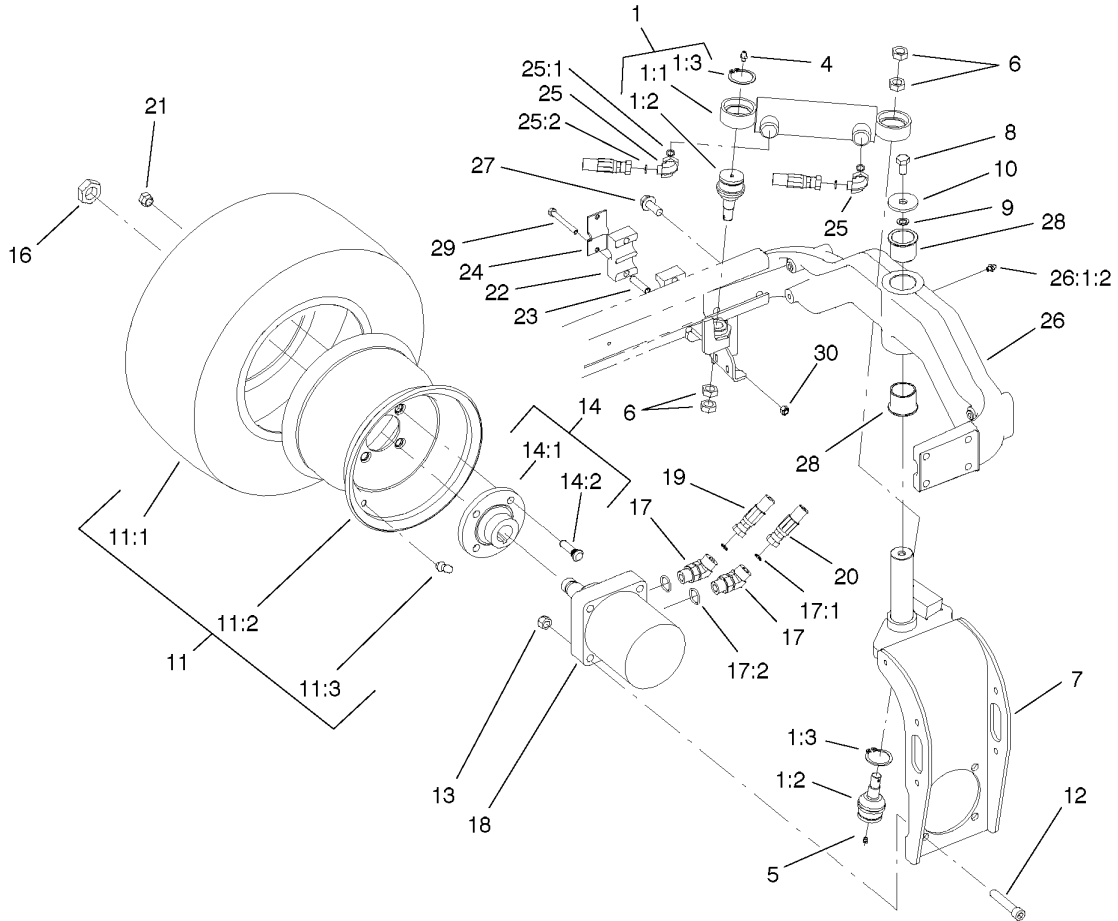
Ref	Part No.	Qty.	Description
19:2	237-42	1	O-Ring
21	68-5370	1	Decal-Toro
22	95-8842	1	Hose ASM
23	95-8843	1	Hose ASM
24	95-8844	1	Hose ASM
25	95-8845	1	Hose ASM
26	95-8846	1	Hose ASM
27	99-3502	1	Boss
28	31-0390	1	Disc-Friction
29	82-9010	1	Disc-Friction
30	80-2930	1	Washer-Flat
31	3218-7	1	Nut-Jam
32	3296-4	4	Nut-Lock, NI
33	3256-23	4	Washer-Flat
36	99-3405-01	1	Shield-Steering
39	32128-21	2	Nut-HF
40	100-4929	1	Slope Indicator ASM
40:1	100-4933	1	Decal-Danger
40:1	100-4837	1	Decal-Danger
41	321-7	2	Screw-HH
42	3296-42	2	Nut-Lock NI
43	3256-22	4	Washer-Flat
Ⓢ*99	3290-378	2	Tie-Cable



## Steering Control Assembly No. 104-0474

Ref	Part No.	Qty.	Description
1	99-3523	1	Cartridge-Valve, Relief
2	92-7316	4	Nut-On, Push
3	99-3524	4	Bolt-Special
4	47-6990	1	Nut
5	66-9970	1	Kit-Spring
6	66-9980	1	Kit-Seal
7	66-9990	1	Kit-Roller, Needle
8	104-0475	1	Column ASM

--	--	--	--



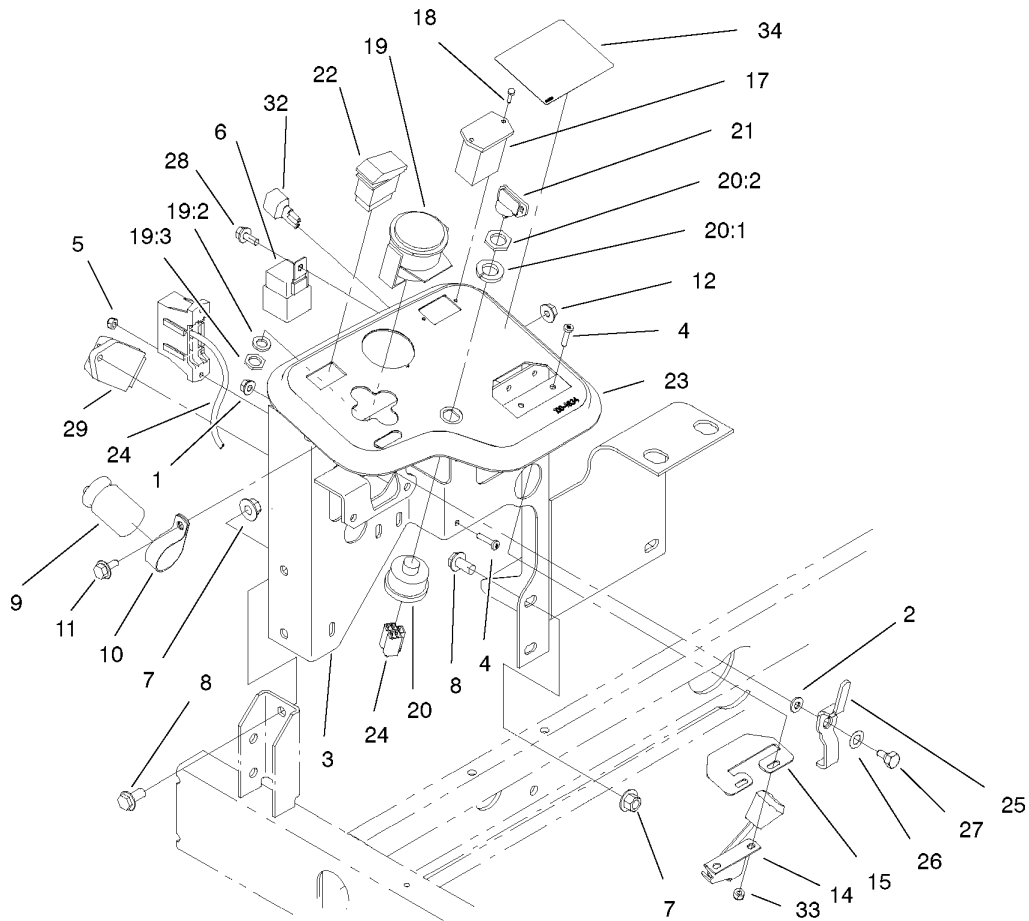
## Rear Fork And Tire Assembly

Ref	Part No.	Qty.	Description
❶ 1		1	Steering Cylinder/Balljoint ASM
1:1	94-8141	1	Hydraulic Cylinder ASM
1:2	92-5838	2	Joint-Ball
1:3	32151-104	2	Ring-Retaining, External
4	302-5	1	Fitting-Grease
5	302-59	1	Plug-Threaded
6	3220-6	4	Nut-Jam
7	95-8905-01	1	Fork-Rear
8	325-3	1	Screw-HH
9	3255-2	1	Washer-Lock/EXT
10	75-7730	1	Washer-Thrust
❶ 11		1	Tire & Wheel ASM
11:1	95-8656	1	Tire
11:2	95-8657	1	Rim-Wheel
11:3	232-27	1	Stem-Valve
12	3274-93	4	Screw-HSH
13	3296-23	4	Nut-Lock, NI
❶ 14		1	Wheel Hub / Stud ASM
14:1	10-6870-03	1	Hub-Wheel
14:2	10-6830	4	Stud-Type, Drive
16	26-3790	1	Nut-Lock
17	340-14	2	Fitting-HYD, 45 DEG
17:1	237-65	1	O-Ring
17:2	237-80	1	O-Ring

Ref	Part No.	Qty.	Description
18	95-8694	1	Hydraulic Motor ASM
19	95-8832	1	Hose ASM
20	95-8833	1	Hose ASM
21	242-50	4	Nut-Lug
22	82-8170	2	Clamp
23	93-7960	2	Spacer
24	93-7961	1	Clamp-Drain, Case
25	340-132	2	Fitting-HYD, 90 DEG
25:1	237-78	1	O-Ring
25:2	237-21	1	O-Ring
26	18-3979-03	1	Rear Casting ASM
❶ 26:1		1	Rear Casting ASM
26:1:2	302-5	1	Fitting-Grease
27	3234-38	8	Screw-HHF
28	95-8805	2	Bushing
29	322-13	2	Screw-HH
30	3296-29	2	Nut-Lock
❶ *99	3290-378	6	Tie-Cable



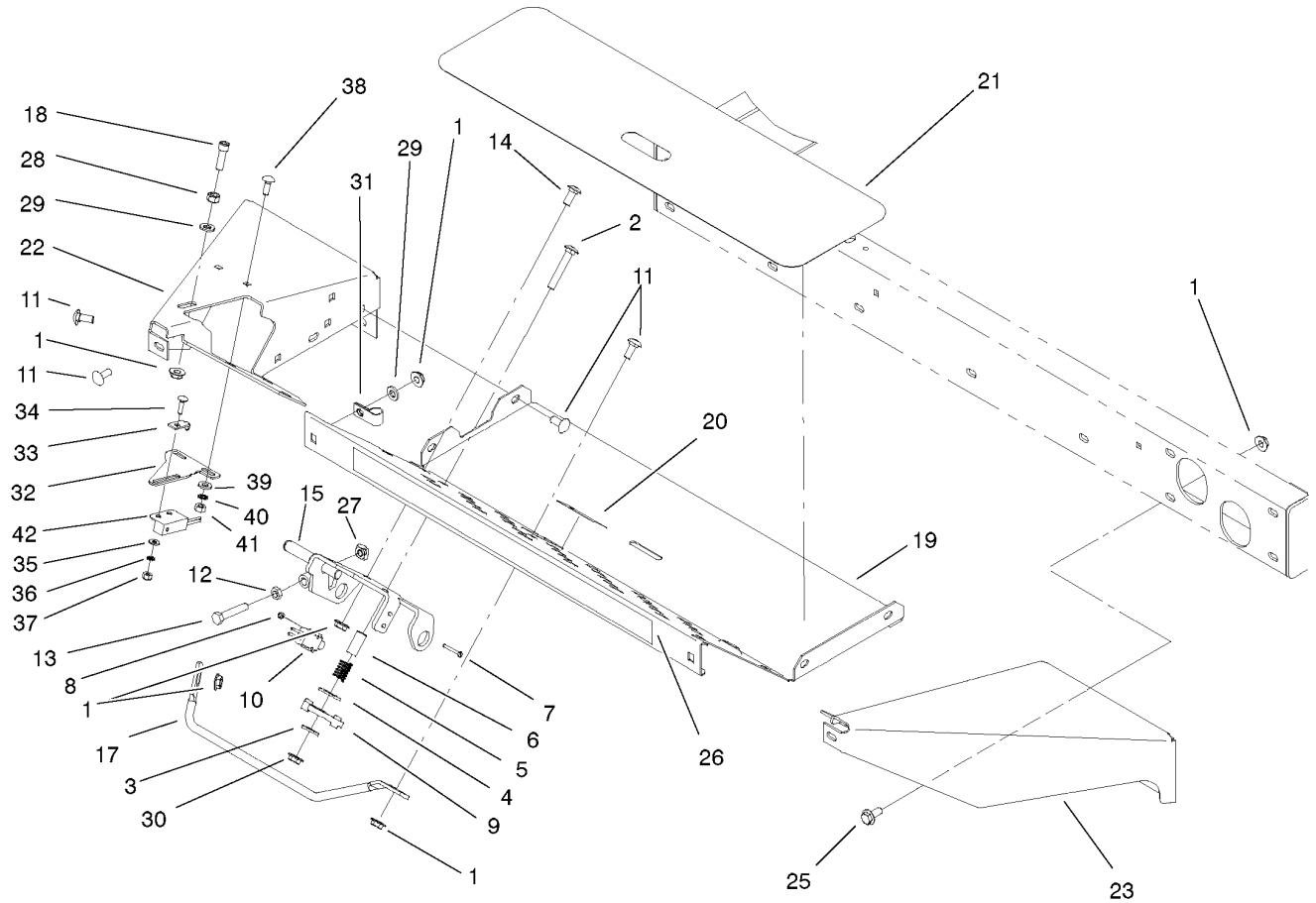




## Control Panel Assembly

Ref	Part No.	Qty.	Description
1	32128-32	1	Nut-HHF
2	3256-22	1	Washer-Flat
3	95-8712-03	1	Panel-Control
4	3250-27	4	Screw-PPH
5	3296-2	2	Nut-Lock
6	70-1480	4	Relay
7	32128-43	5	Nut-Flange
8	3234-1	5	Screw-HHF
9	37-2690	1	Capacitor
10	2412-74	1	Clamp
11	3234-4	1	Screw-HHF
12	32128-33	1	Nut-HF
14	95-8855	1	Control-Throttle
15	104-0421	1	Plate-Stop, Throttle
17	75-6820	1	Hourmeter
18	32144-18	2	Screw-HH
19	93-7053	1	Cluster-Lamp, Warning
Ⓢ*19:1	219-17	4	Bulb
19:2	3254-1	1	Washer-Lock/Int
19:3	3217-26	1	Nut-Hex
20	88-9830	1	Switch-Ignition
20:1	3254-5	1	Washer-Lock, Internal
20:2	218-461	1	Nut-HH
21	63-8360	2	Key-Ignition

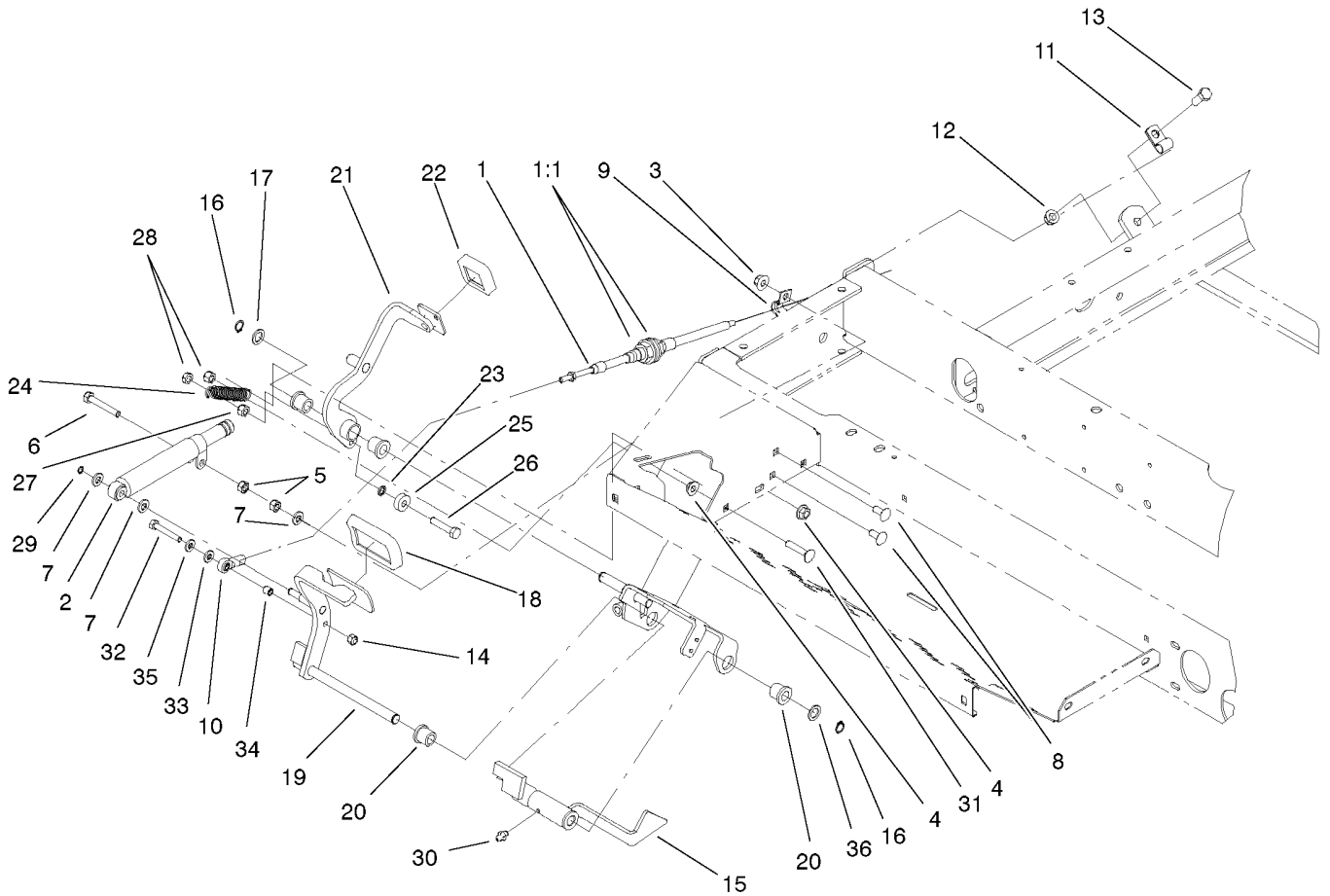
Ref	Part No.	Qty.	Description
22	95-8999	1	Switch
23	99-3443	1	Decal
24	100-4823	1	Harness-Wire
25	99-3401-03	1	Lever-Valve, Lock
26	3290-477	1	Washer-Curved
27	63-3410	1	Screw-Shoulder
28	32144-10	5	Screw-HWH
29	98-7611	1	Controller-Glow
32	100-4918	4	Diode
33	3290-148	2	Nut-Hex, W/Washer
Ⓢ*99	3290-379	4	Tie-Cable
Ⓢ*99	3290-378	3	Tie-Cable



### Front Platform Assembly

Ref	Part No.	Qty.	Description
1	32128-44	22	Nut
2	3230-6	1	Screw-CARR
3	3256-3	1	Washer-Flat
4	3256-40	1	Washer-Flat
5	65-9940	1	Spring
6	95-8866	1	Tube-Arm, Rocker
7	32105-9	2	Screw
8	3296-9	2	Nut-Lock NI
9	99-3593	1	Arm-Rocker
10	95-8900	1	Switch
11	3230-1	9	Screw-CARR
12	3218-2	1	Nut-Jam
13	322-41	1	Screw-HH
14	3230-23	2	Screw-CARR
15	95-8869-03	1	Bracket-Pedal, Traction
17	95-8893	1	Bar-Deflector
18	3274-22	1	Screw-HSH
19	95-8610-01	1	Plate-Floor
20	99-3444	1	Decal-Mow/Transport
21	99-3478	1	Tread-Foot
22	100-4884-01	1	Support-Floor, RH
23	95-8612-01	1	Bracket-Floor Plate, LH
25	3234-5	10	Screw-HHF
26	99-3388	1	Decal-Sidewinder

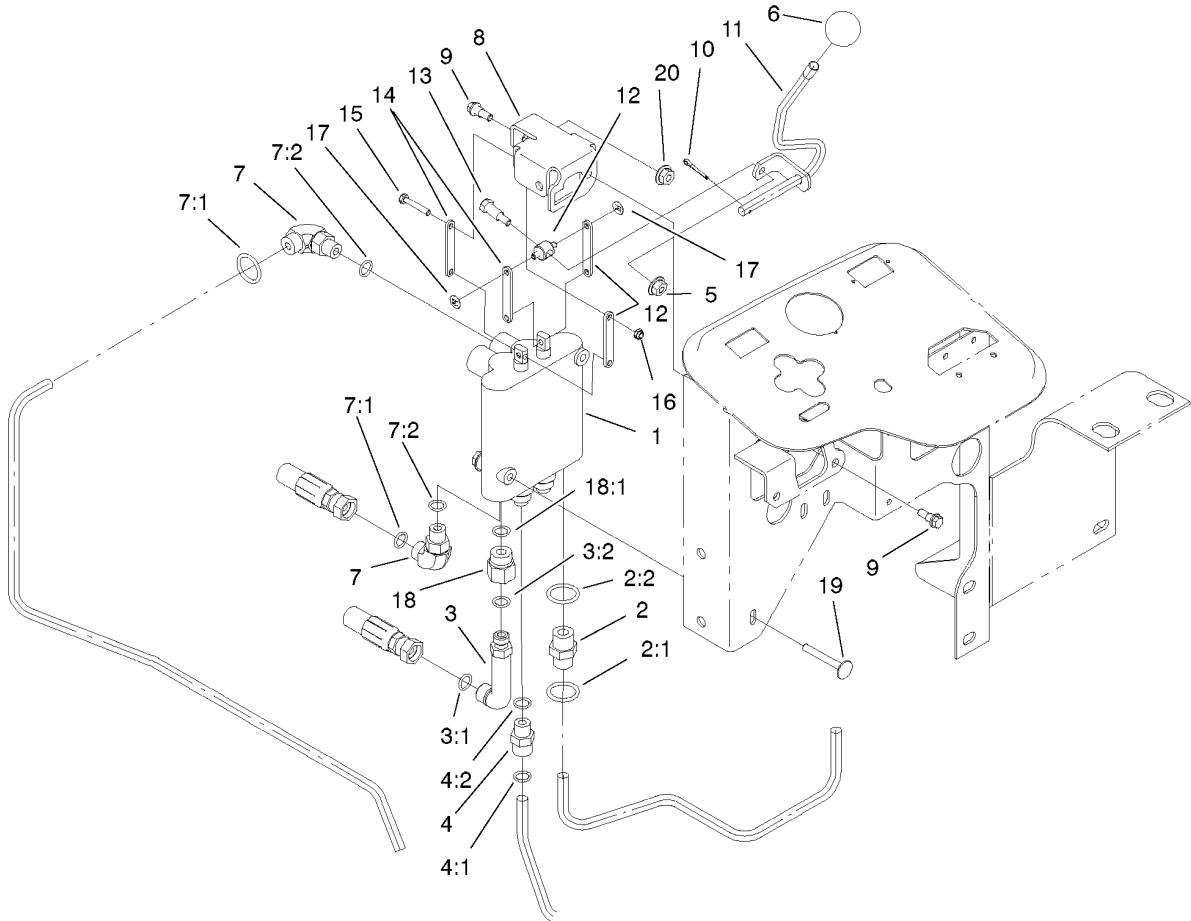
Ref	Part No.	Qty.	Description
27	99-3565	1	Nut-Square
28	3217-6	1	Nut-Hex
29	3256-23	2	Washer-Flat
30	3296-29	1	Nut-Lock
31	2412-103	1	Clamp
32	100-4871	1	Bracket-Switch, Neutral
33	100-4872	1	Plate-Switch, Neutral
34	3229-20	1	Screw-CARR
35	3256-14	1	Washer-Flat
36	3255-17	1	Washer-Lock/EXT
37	3296-2	1	Nut-Lock
38	3229-1	2	Screw-CARR
39	3256-22	2	Washer-Flat
40	3255-7	2	Washer-Lock/EXT
41	3217-5	2	Nut-Hex
42	100-1270	1	Switch-Proximity
9*99	3290-379	2	Tie-Cable



## Traction Pedal Assembly

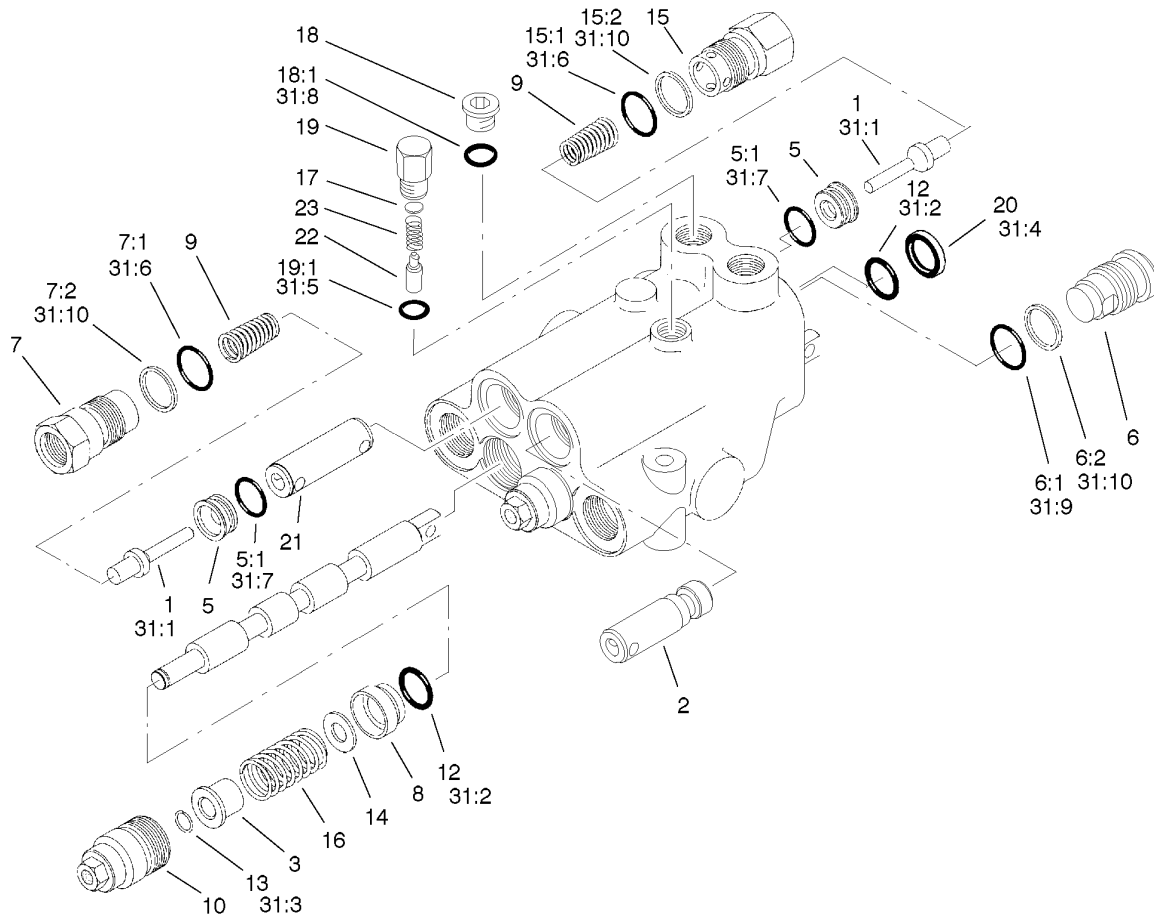
Ref	Part No.	Qty.	Description
1	93-2099	1	Cable-Control, Traction
1:1	3220-1	2	Nut-Jam
2	76-8870	1	Damper ASM-Lever
3	32128-20	2	Nut-HF
4	32128-44	3	Nut
5	3217-6	1	Nut-Hex
6	322-10	1	Screw-HH
7	3256-23	3	Washer-Flat
8	3230-23	2	Screw-CARR
9	93-2092	1	Clamp-Cable
10	2411-41	1	Joint-Ball, Superior
11	2412-10	1	R-Clamp
12	32128-43	1	Nut-Flange
13	323-6	1	Screw-HH
14	3296-42	1	Nut-Lock NI
15	95-8861	1	Slide
16	32151-84	2	Ring-Shaft, EXT
17	41-8440	1	Washer
18	74-9100	1	Pad-Pedal, Forward
19	100-4875-03	1	Traction Pedal ASM
20	256-243	2	Bearing-Flange
21	99-3379	1	Pedal-Reverse
22	74-9110	1	Pad-Pedal, Reverse
23	75-5470	1	Spacer-Bearing

Ref	Part No.	Qty.	Description
24	99-3476	1	Spring-Extension
25	251-259	1	Bearing
26	322-7	1	Screw-HH
27	3296-29	1	Nut-Lock
28	3296-47	2	Nut-Lock, NI
29	32151-3	1	Ring-Grip, Ex
30	302-5	1	Fitting-Grease
31	3230-27	1	Screw-CARR
32	321-9	1	Screw-HH
33	33093-00	1	Washer-Flat
34	99-3545	1	Spacer
35	3256-22	1	Washer-Flat
36	73-0040	4	Washer-Thrust



## Control Valve Assembly

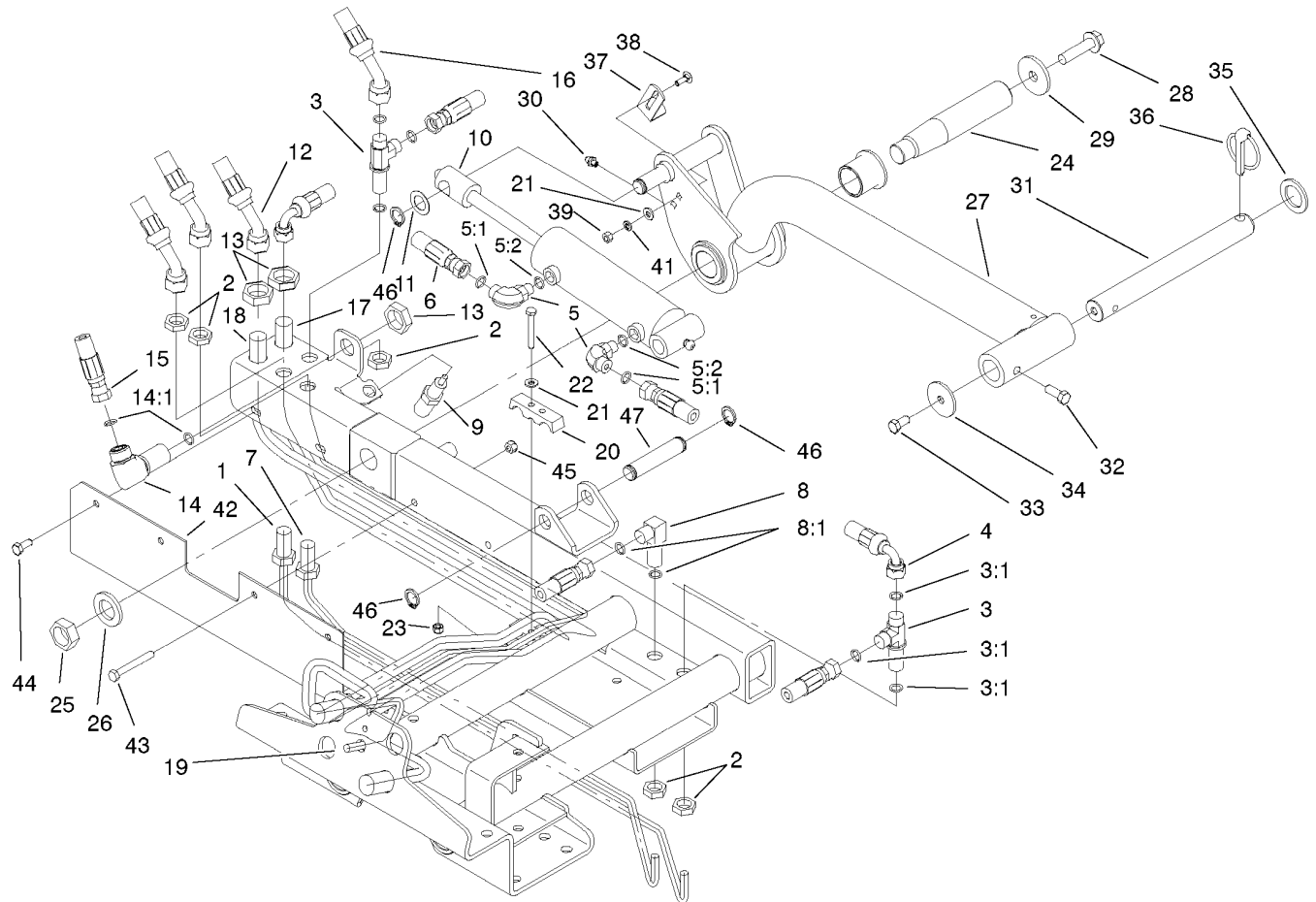
Ref	Part No.	Qty.	Description	Ref	Part No.	Qty.	Description
1	95-8581	1	Valve-2 Spool	17	93-3988	2	Pushnut-Tinnerman
2	340-3	1	Adapter	18	353-397	1	Reducer-Adapter
2:1	237-22	1	O-Ring	18:1	237-79	1	O-Ring
2:2	237-79	1	O-Ring	19	3230-33	2	Screw-CARR
3	69-4320	1	Fitting-90 DEG	20	32128-32	2	Nut-HHF
3:1	237-22	1	O-Ring				
3:2	237-42	1	O-Ring				
4	340-2	1	Adapter				
4:1	237-22	1	O-Ring				
4:2	237-42	1	O-Ring				
5	32128-33	2	Nut-HF				
6	233-42	1	Knob				
7	340-77	2	Fitting-90 DEG				
7:1	237-22	1	O-Ring				
7:2	237-42	1	O-Ring				
8	95-8633	1	Bracket-Valve, Actuator				
9	42-3560	2	Bolt-Shoulder				
10	3272-6	1	Pin-Cotter				
11	95-8635	1	Lever-Valve				
12	95-8638	1	Trunnion-Valve, Actuator				
13	92-8916	1	Bolt-Shoulder				
14	95-8634	4	Link				
15	87-5150	3	Bolt				
16	87-5140	3	Nut-Lock				



### Valve Assembly No. 95-8581

Ref	Part No.	Qty.	Description
1	58-6290	3	Poppet
2	69-1840	1	Plunger
3	58-6310	2	Spacer
5	58-6330	3	Seat
5:1	58-6340	1	O-Ring
6	58-6350	1	Plug
6:1	60-5720	1	Ring
6:2	58-6370	1	Washer
7	99-3527	2	Plug ASM
7:1	60-5720	1	Ring
7:2	59-7730	1	Washer-Backup
8	58-6400	2	Bushing
9	69-1810	3	Spring
10	58-6420	2	Cap
12	58-6450	4	O-Ring
13	58-6460	2	Ring
14	65-2770	2	Washer
15	99-3526	1	Plug ASM
15:1	60-5720	1	Ring
15:2	59-7730	1	Washer-Backup
16	99-3531	2	Spring
17	60-6450	1	Disc
18	353-989	1	Plug-Hex, Hollow
18:1	237-42	1	O-Ring

Ref	Part No.	Qty.	Description
19	58-6780	1	Plug
19:1	58-6790	1	O-Ring
20	58-6320	2	Wiper
21	99-3528	1	Plunger
22	58-6770	1	Plunger
23	58-6760	1	Spring
31	99-3530	1	Kit-Seal
31:1	58-6290	3	Poppet
31:2	58-6450	4	O-Ring
31:3	58-6460	2	Ring
31:4	58-6320	2	Wiper
31:5	58-6790	1	O-Ring
31:6	60-5720	2	Ring
31:7	58-6340	2	O-Ring
31:8	237-42	1	O-Ring
31:9	60-5720	2	Ring
31:10	59-7730	2	Washer-Backup



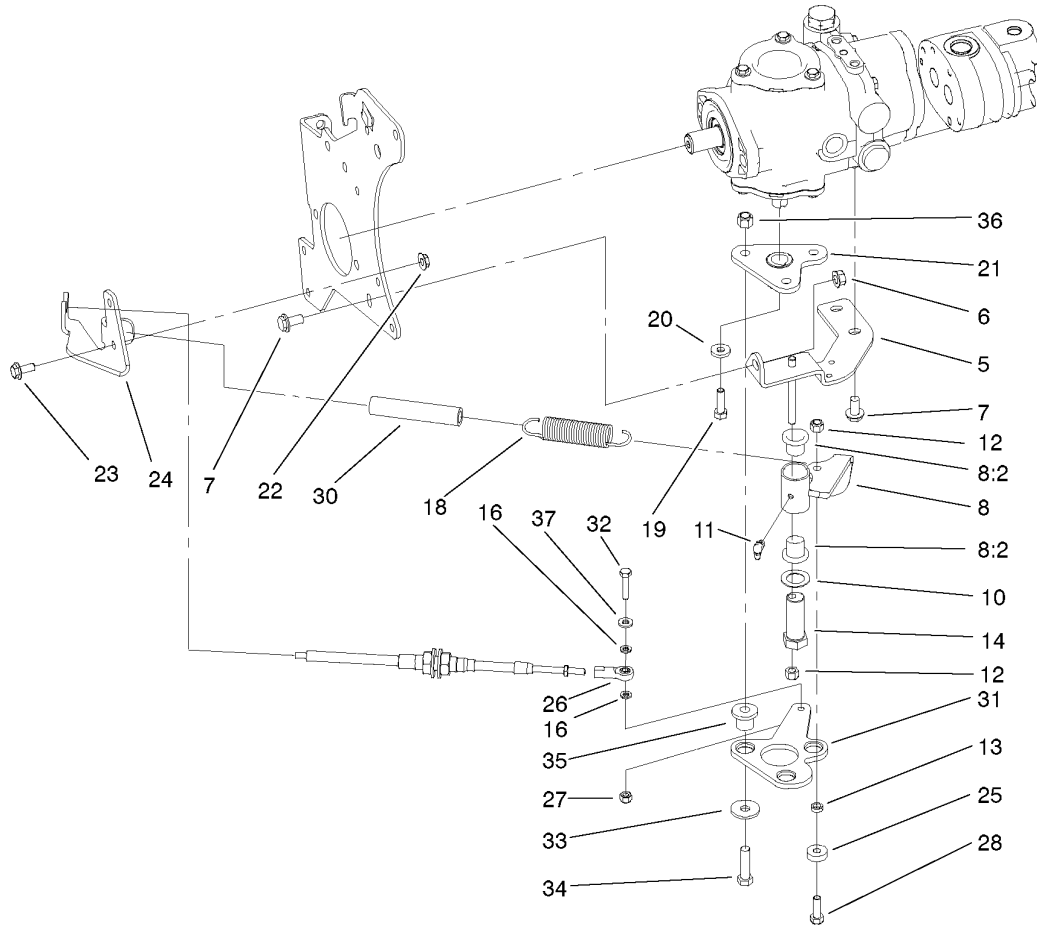
## Rear Lift Arm Assembly

Ref	Part No.	Qty.	Description
1	95-8984	1	Tube ASM
2	340-70	5	Locknut-Bulkhead
3	340-68	2	Fitting-Tee, Bulkhead
3:1	237-22	6	O-Ring
4	95-8831	1	Hose ASM
5	340-77	2	Fitting-90 DEG
5:1	237-22	1	O-Ring
5:2	237-42	1	O-Ring
6	95-8823	1	Hose ASM
7	95-8983	1	Tube ASM
8	340-154	1	Union-Bulkhead
8:1	237-22	2	O-Ring
9	93-6762	1	Switch-Ball
10	95-8978	1	Cylinder-Hydraulic
11	3-6498	1	Washer-Thrust
12	95-8820	1	Hose ASM
13	340-127	3	Nut-Bulkhead
14	93-9151	1	Fitting-Hydraulic
14:1	237-30	2	O-Ring
15	95-8824	1	Hose ASM
16	95-8825	1	Hose ASM
17	95-8980	1	Tube ASM
18	95-8981	1	Tube ASM
19	95-8982	1	Tube ASM

Ref	Part No.	Qty.	Description
20	93-2509	2	Clamp-Tube
21	3256-22	6	Washer-Flat
22	321-11	2	Screw-HH
23	3296-42	2	Nut-Lock NI
24	95-8990	1	Shaft-Pivot, Rear
25	3220-9	1	Nut-Jam
26	86-1480	1	Washer
27	95-8985	1	Rear Lift Arm ASM
28	3234-27	1	Screw-Flange
29	75-7730	1	Washer-Thrust
30	302-5	1	Fitting-Grease
31	95-8979	1	Shaft
32	323-6	1	Screw-HH
33	323-4	1	Screw-HH
34	63-7400	1	Washer-Rebound
35	3-6781	1	Washer-Thrust
36	283-71	1	Pin-Lynch
37	95-8613	1	Bracket-Switch
38	3229-1	2	Screw-CARR
39	3217-5	2	Nut-Hex
41	3253-3	2	Washer-Lock
42	95-8591-03	1	Guard
43	322-12	2	Screw-HH
44	322-3	2	Screw-HH



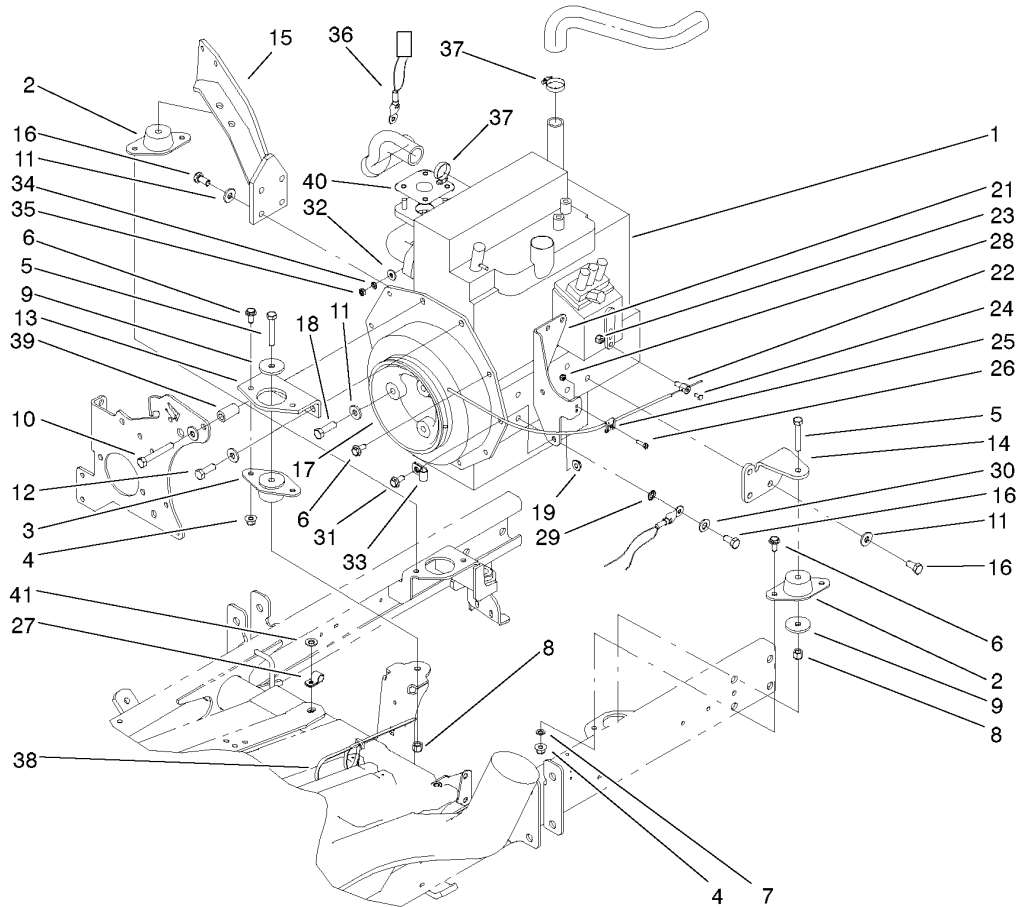




## Neutral Arm Assembly

Ref	Part No.	Qty.	Description
5	95-8960-03	1	Bracket-Neutral
6	32128-43	1	Nut-Flange
7	3234-1	3	Screw-HHF
8	104-0422	1	Neutral Arm ASM
8:2	256-113	2	Bushing-Flange
10	3-6498	1	Washer-Thrust
11	302-60	1	Fitting-Lube
12	3296-29	2	Nut-Lock
13	100-4817	1	Spacer-Bearing
14	76-8640	1	Stud-Traction
16	33093-00	2	Washer-Flat
18	94-1369	1	Spring-Extension
19	3210-6	1	Screw-HH
20	88-7200	1	Washer-Flat
21	99-3598-03	1	Hub ASM
22	32128-44	2	Nut
23	3234-5	2	Screw-HHF
24	99-3553-03	1	Bracket-Support, Cable
25	251-259	1	Bearing
26	2411-41	1	Joint-Ball, Superior
27	3296-42	1	Nut-Lock NI
28	3274-104	1	Screw-HSBH
30	99-3556	1	Hose
31	99-3594-03	1	Lever-Pump

Ref	Part No.	Qty.	Description
32	321-8	1	Screw-HH
33	2844	3	Washer
34	95-3857	3	Screw-Head, Button
35	63-9750	3	Mount
36	3296-39	3	Nut-Lock, NI
37	3256-22	1	Washer-Flat

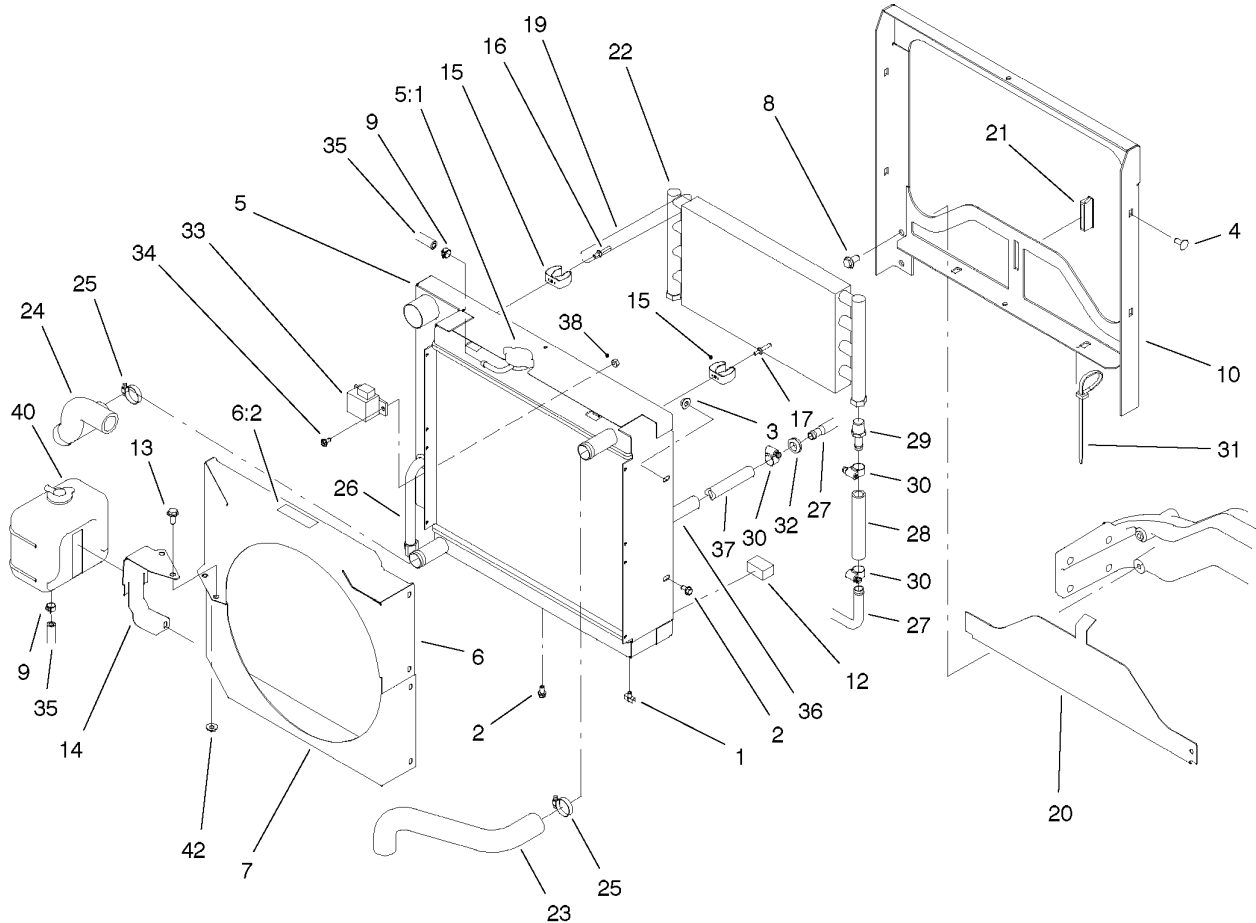


## Engine Assembly

Ref	Part No.	Qty.	Description
1	95-8912	1	Engine-Kubota, D1105-Eb-Toro-2-S1
2	83-1030	2	Mount-Engine
3	93-5265	1	Mount-Engine
4	32128-20	6	Nut-HF
5	323-11	3	Screw-HH
6	3234-5	7	Screw-HHF
7	3255-8	1	Washer-Lock/EXT
8	3296-39	3	Nut-Lock, NI
9	80-8560	3	Washer-Hardened
10	42-9370	1	Bolt/Washer
11	80-6990	12	Washer-Hardened
12	95-8812	1	Screw-HH
13	95-8926-03	1	Mount-Engine, Front
14	95-8937-03	1	Mount-Engine, LH
15	95-8919-03	1	Mount-Engine
16	63-7790	8	Screw-Cap
17	99-3412-03	1	Pulley
18	56-2140	3	Bolt
19	32128-44	2	Nut
21	99-3354-03	1	Support-Filter, Throttle
22	98-9311	1	Swivel-Throttle
23	3296-20	1	Nut-Lock NI
24	25-8640	1	Screw-HH

Ref	Part No.	Qty.	Description
25	81-1690	1	Clamp-Cable
26	32105-13	1	Screw-SHH
27	2412-112	1	Clamp
28	3296-2	1	Nut-Lock
29	3255-9	1	Washer-Lock/EXT
30	3256-25	1	Washer-Flat
31	3234-17	1	Screw-HHF
32	3256-78	1	Washer-Flat
33	2412-10	1	R-Clamp
34	43-5930	1	Washer-Spring
35	48-7890	1	Nut
36	99-3441	1	Harness-Wire, Fusible Link
37	2412-34	2	Clamp-Hose
38	3290-378	1	Tie-Cable
39	95-8736	1	Spacer
40	98-9611	1	Gasket
41	3256-24	1	Washer-Flat

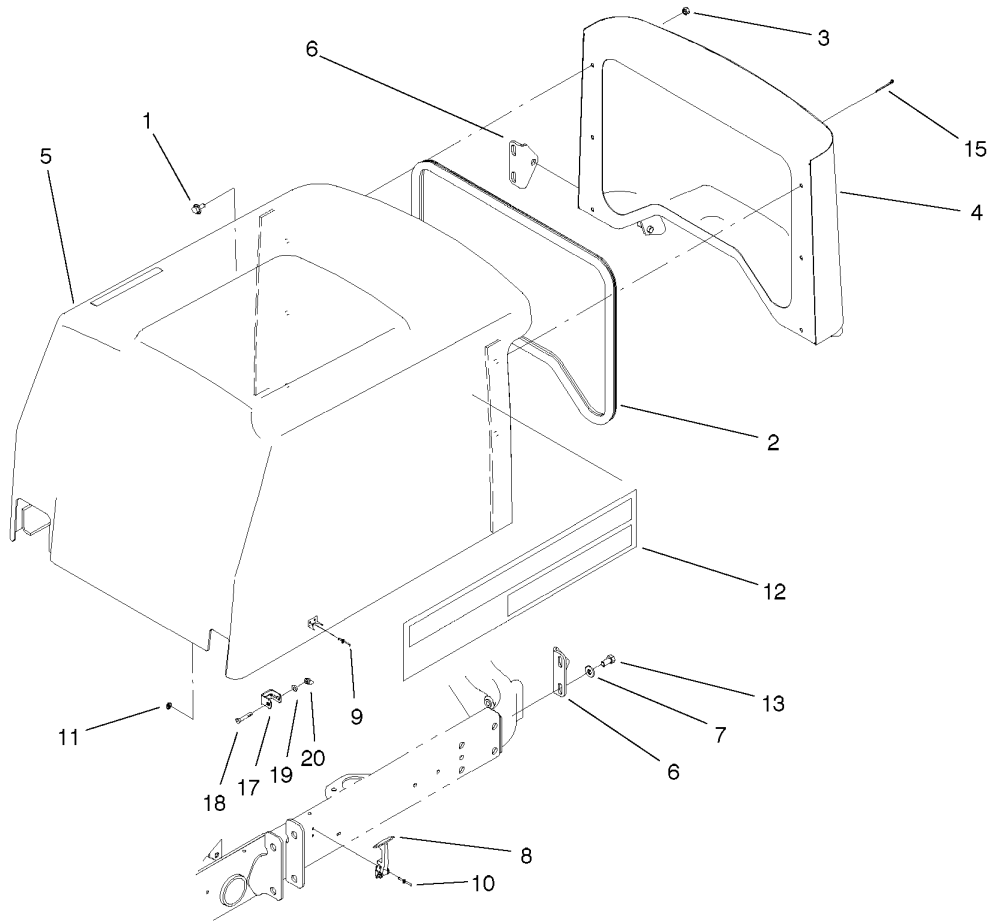




## Radiator Assembly

Ref	Part No.	Qty.	Description
1	304-46	1	Draincock
2	32104-116	11	Screw
3	32128-44	4	Nut
4	3230-1	4	Screw-CARR
5	95-8934	1	Radiator
5:1	93-5957	1	Cap-Radiator
6	99-3580	1	Shroud-Fan, Top
6:2	93-6681	1	Decal-Warning, Fan
7	99-3360-03	1	Shroud-Fan, Bottom
8	3234-1	4	Screw-HHF
9	92-2379	2	Clamp-Hose
10	100-4903-03	1	Radiator Frame ASM
12	95-8962	2	Seal-Foam, Radiator
13	3234-5	2	Screw-HHF
14	95-8879-03	1	Bracket-Reservoir
15	95-8939	2	Spring-Clip
16	3269-22	1	Rivet-Pop
17	3269-23	1	Rivet-Pop
19	99-3390	1	Lanyard
20	95-8702-03	1	Shield-Radiator, Lower
21	99-3497	1	Magnet
22	75-1040	1	Cooler-Oil
23	95-8944	1	Hose-Radiator, Upper
24	95-8945	1	Hose-Radiator, Lower

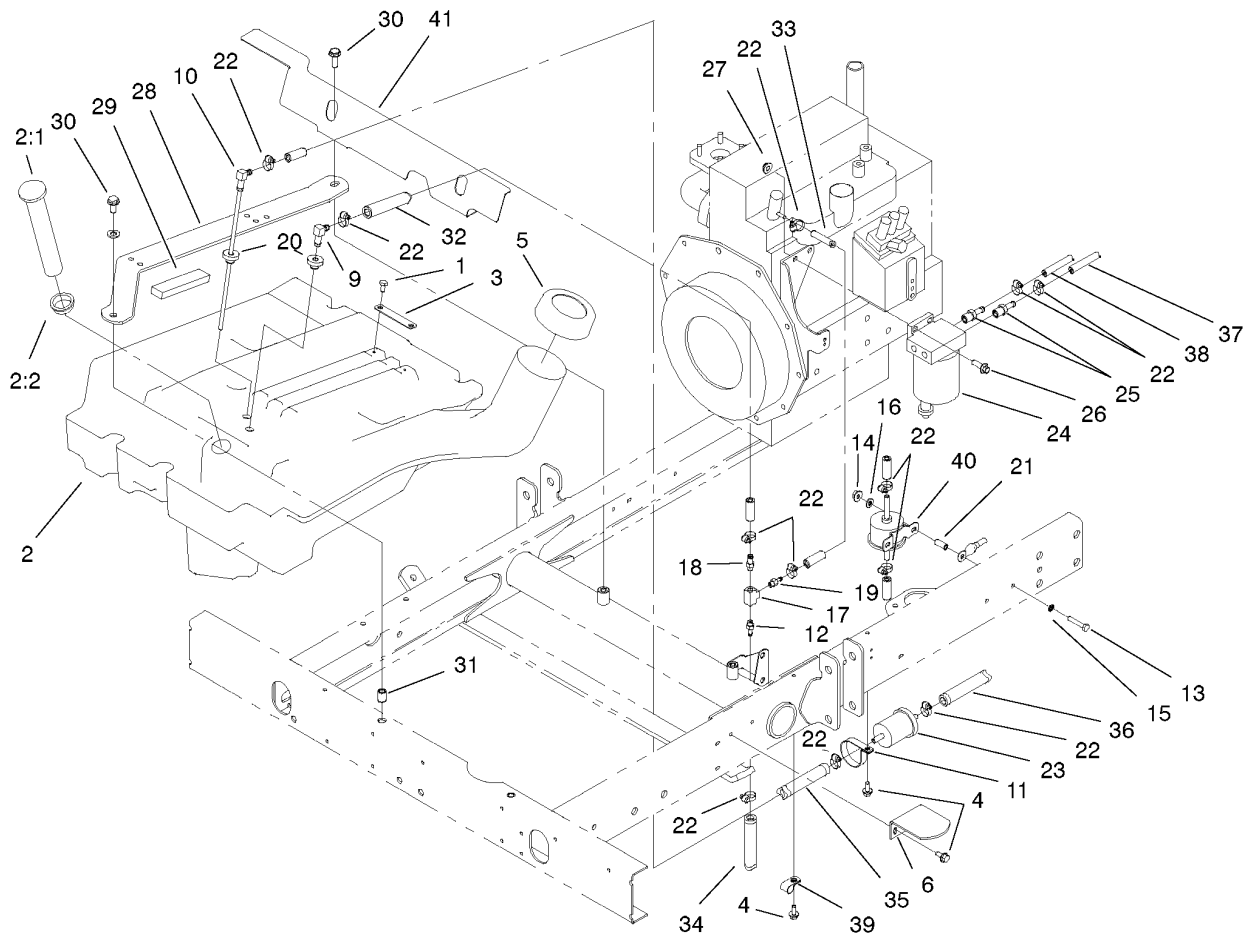
Ref	Part No.	Qty.	Description
25	2412-34	2	Clamp-Hose
26	95-8704	1	Tube-Hydro
27	95-8705	1	Tube-Hydro
28	95-8706	2	Hose-Hydro
29	95-8710	2	Fitting-Barb
30	2412-36	5	Clamp-Hose
31	3290-378	2	Tie-Cable
32	99-3481	2	Grommet
33	66-8800	1	Relay
34	32105-13	2	Screw-SHH
35	63-7623	1	Hose-Fuel
36	56-7985	1	Sleeve-Protective
37	99-3500	1	Hose
38	3296-2	2	Nut-Lock
40	98-9323	1	Bottle-Overflow, Water
42	32128-20	2	Nut-HF
Ⓢ*99	3290-379	1	Tie-Cable



### Hood Assembly

Ref	Part No.	Qty.	Description
1	3234-4	6	Screw-HHF
2	95-8809	1	Trim-Seal
3	3296-42	6	Nut-Lock NI
4	95-8724-03	1	Screen-Hood
5	95-8935	1	Hood ASM
6	95-8728	2	Bracket-Pivot, Hood
7	3256-24	4	Washer-Flat
8	59-9740	2	Flex Draw Latch ASM
9	98-7310	4	Rivet
10	3290-55	4	Rivet-Pop
11	3269-10	4	Washer-Back
12	99-3387	2	Decal
13	323-6	4	Screw-HH
15	3290-467	1	Pin-Hair
17	99-3568	1	Bracket-Lock,Ce
18	321-9	1	Screw-HH
19	3256-22	1	Washer-Flat
20	3296-42	1	Nut-Lock NI

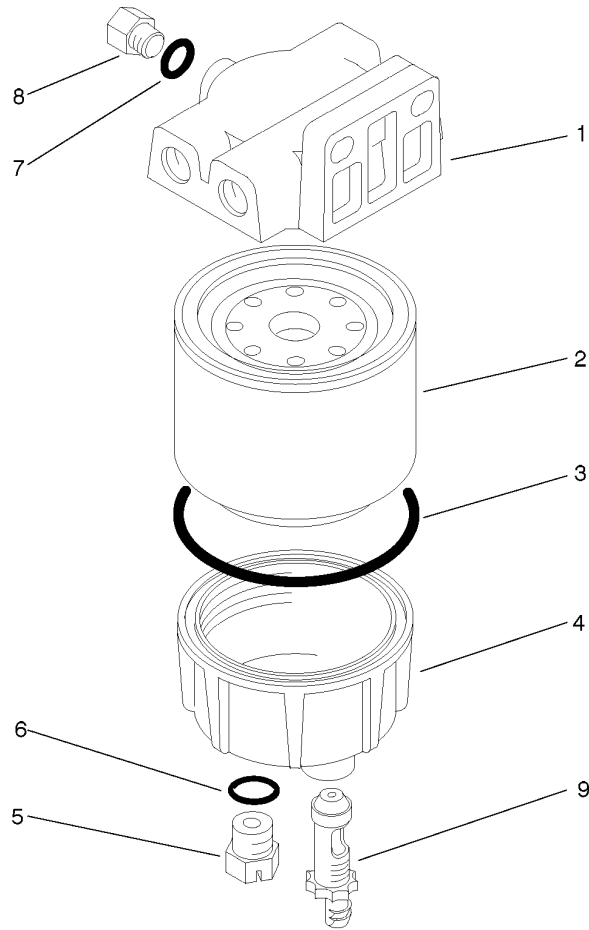
--	--	--	--



## Fuel Tank Assembly

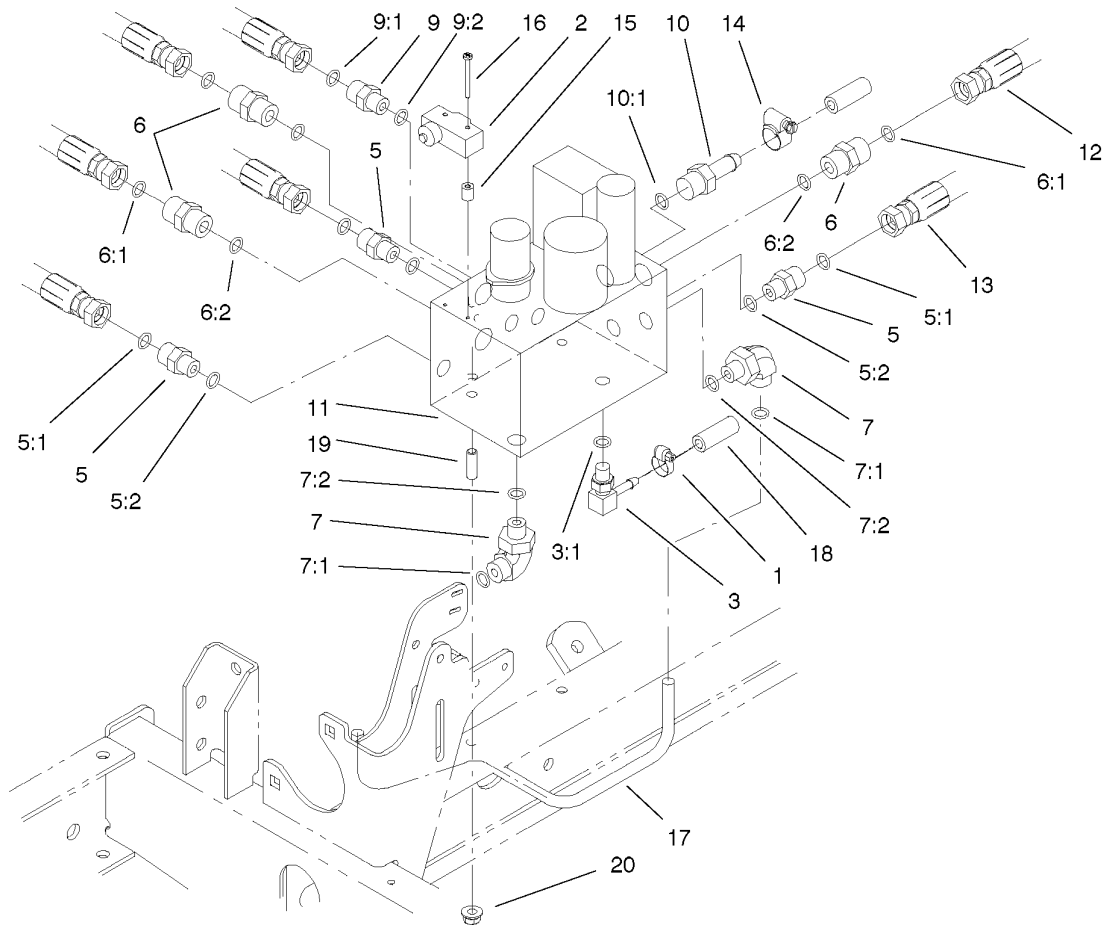
Ref	Part No.	Qty.	Description
1	321-2	2	Screw-HH
2	95-8620	1	Tank-Fuel
2:1	95-8971	1	Guage-Fuel
2:2	95-8972	1	Grommet
3	95-8881	1	Strap-Line, Fuel
4	32144-10	4	Screw-HWH
5	95-4193	1	Diesel Gas Cap ASM
6	95-8968-03	1	Support-Tank, Fuel
9	46-6550	1	Fitting-HYD, 90
10	66-8121	1	Standpipe
11	2412-148	1	Clamp-R
12	304-73	1	Connector-Hose
13	321-9	2	Screw-HH
14	32128-33	2	Nut-HF
15	3255-7	1	Washer-Lock/EXT
16	3256-22	2	Washer-Flat
17	354-20	1	Fitting-Tee
18	354-21	1	Fitting-Barb
19	354-22	1	Fitting-Barb
20	46-6560	2	Bushing
21	87-4710	2	Spacer-Brake, Parking
22	2412-108	13	Clamp-Worm
23	98-7612	1	Filter-Fuel
24	98-9305	1	Filter-Water/Fuel

Ref	Part No.	Qty.	Description
25	353-783	2	Fitting-Pump
26	3234-17	2	Screw-HHF
27	32128-44	2	Nut
28	95-8731-03	2	Strap-Support, Seat
29	95-8896	2	Foam
30	3234-11	4	Screw-HHF
31	32148-9	2	Nut-Insert
32	71-3380	1	Hose-Fuel
33	99-3498	1	Return-Line, Fuel
34	99-3185	1	Line-Fuel
35	71-3383	1	Hose-Fuel
36	19-3250	1	Hose-Line, Fuel
37	63-9640	1	Hose
38	99-3554	1	Hose-Fuel
39	2412-73	1	Clamp-R
40	99-3464	1	Pump-Fuel
41	104-4833-03	1	Shield-Heat
⑤*99	3290-379	2	Tie-Cable



### Water/fuel Filter Assembly No. 98-9305

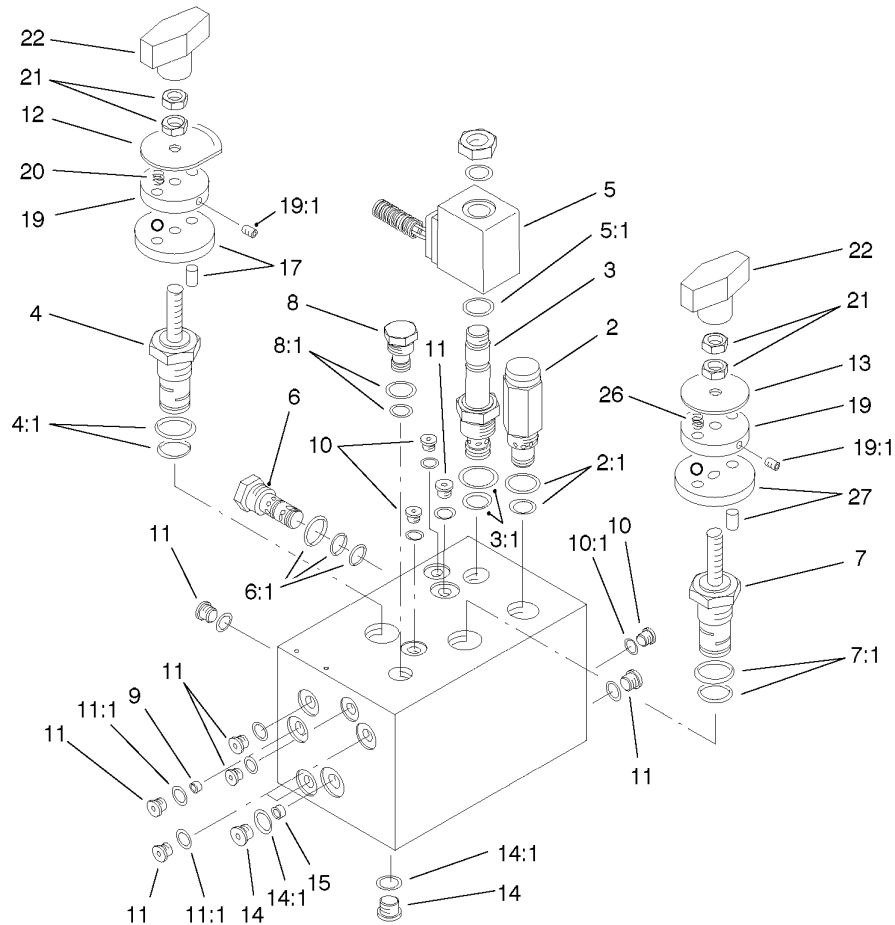
Ref	Part No.	Qty.	Description
1	98-9772	1	Head-Filter
2	98-9764	1	Element-On, Spin
3	98-9774	1	O-Ring-Base, Filter
4	98-9775	1	Base-Filter
5	98-9773	1	Plug-Base, Filter
6	237-42	1	O-Ring
7	237-78	1	O-Ring
8	98-9776	1	Plug-Filter, Head
9	98-9777	1	Drain Valve ASM



## Manifold Block Assembly

Ref	Part No.	Qty.	Description
1	2412-108	1	Clamp-Worm
2	29-6162	1	Switch-Micro
3	304-99	1	Stem-Hose
3:1	237-78	1	O-Ring
5	340-2	2	Adapter
5:1	237-22	1	O-Ring
5:2	237-42	1	O-Ring
6	340-4	3	Adapter
6:1	237-30	1	O-Ring
6:2	237-79	1	O-Ring
7	340-77	2	Fitting-90 DEG
7:1	237-22	1	O-Ring
7:2	237-42	1	O-Ring
8	340-87	1	Fitting-45 DEG
8:1	237-22	1	O-Ring
8:2	237-42	1	O-Ring
9	340-88	1	Adapter
9:1	237-22	1	O-Ring
9:2	237-78	1	O-Ring
10	354-121	1	Fitting-HYD, Straight
10:1	237-79	1	O-Ring
11	95-8675	1	Manifold-Hydraulic
12	95-8829	1	Hose ASM
13	95-8830	1	Hose ASM

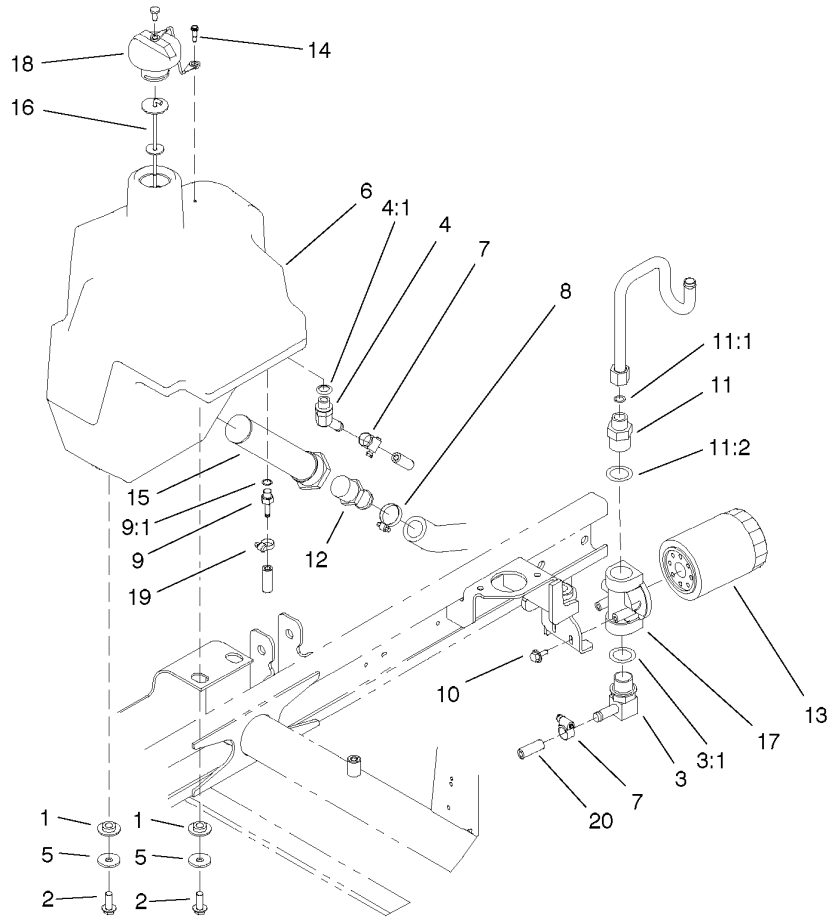
Ref	Part No.	Qty.	Description
14	2412-36	1	Clamp-Hose
15	95-8762	2	Spacer
16	3250-46	2	Screw-PPH
17	95-8792	1	Tube ASM
18	66-8160	1	Hose-Hydraulic
19	104-0430	2	Stud
20	32128-20	2	Nut-HF



## Hydraulic Manifold Assembly No. 95-8675

Ref	Part No.	Qty.	Description
2	94-3655	1	Valve-Relief
2:1	75-2080	1	Seal Kit
3	93-7494	1	Cartridge
3:1	75-2080	1	Seal Kit
4	94-3657	1	Spool ASM
4:1	94-3661	1	Kit-Seal, 4-Way
5	83-2010	1	Coil-Valve
5:1	94-5438	1	Seal-Solenoid
6	69-4120	1	Cartridge-Logic
6:1	69-4240	1	Seal Kit
7	94-3659	1	Control-Flow, Rotary
7:1	75-2080	1	Seal Kit
8	99-3542	1	Cartridge-Plug, Cavity
8:1	69-4240	1	Seal Kit
9	95-5999	2	Plug-Orifice
10	353-991	4	Plug-Hex, Hollow
10:1	237-156	1	O-Ring
11	353-990	12	Plug
11:1	237-78	1	O-Ring
12	99-3543	1	Plate-Indicator
13	94-5026	1	Plate-Indicator
14	353-989	3	Plug-Hex, Hollow
14:1	237-42	1	O-Ring
15	99-3544	1	Plug

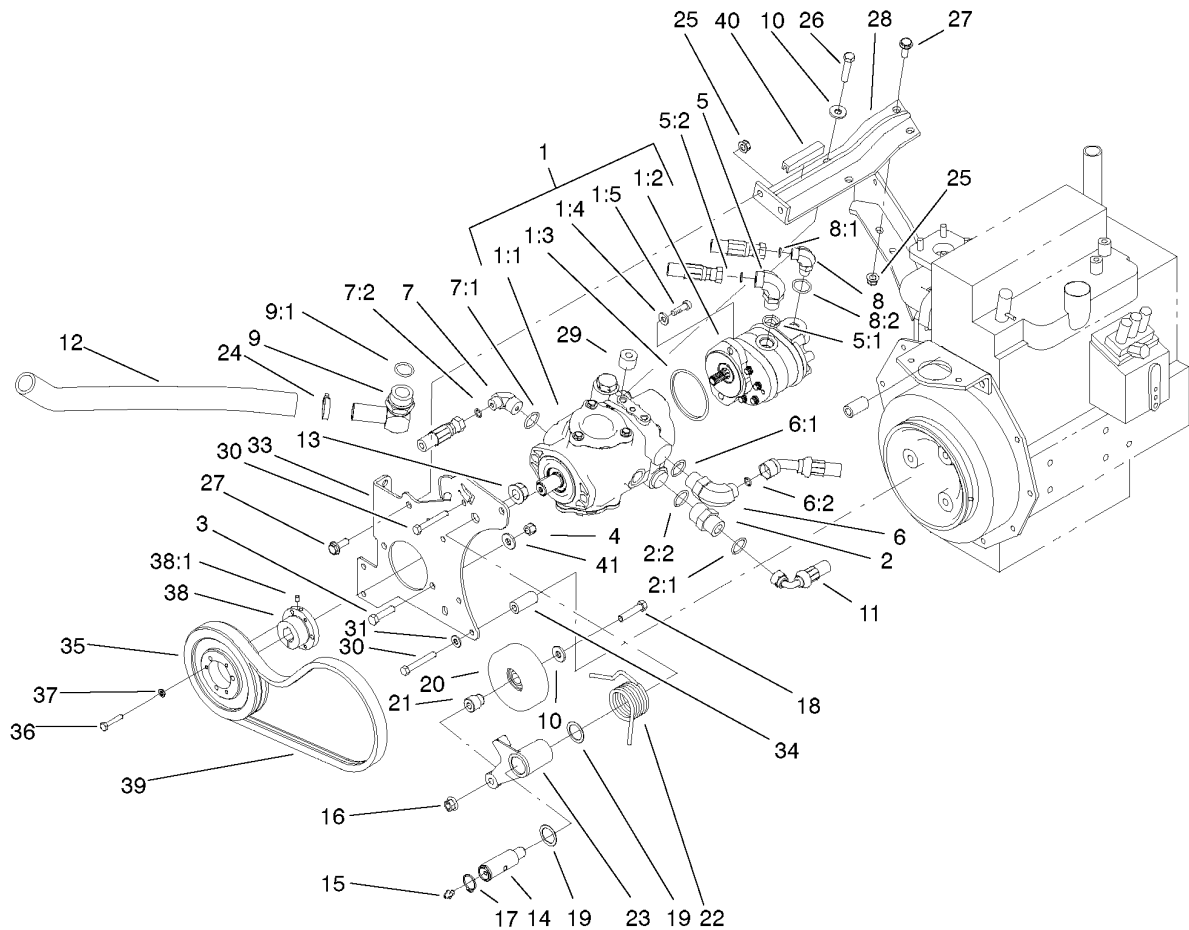
Ref	Part No.	Qty.	Description
17	94-5021	1	Plate-Locating
19	94-5023	2	Plate-Detent
19:1	3245-36	1	Screw-HSH
20	94-5024	2	Spring
21	3218-1	4	Nut-Jam
22	94-5020	2	Knob ASM
26	94-5027	2	Spring
27	94-5025	1	Plate-Locating



## Hydraulic Tank Assembly

Ref	Part No.	Qty.	Description
1	240-11	4	Grommet-Mount, Tank
2	3234-11	4	Screw-HHF
3	95-8814	1	Fitting-Barb, 90 DEG
3:1	237-81	1	O-Ring
4	354-126	1	Fitting-Hydraulic, 45 DEG
4:1	237-79	1	O-Ring
5	63-8410	4	Washer
6	95-8708	1	Tank-Hydraulic
7	2412-36	2	Clamp-Hose
8	2412-34	1	Clamp-Hose
9	95-8849	1	Fitting-Straight
9:1	237-78	1	O-Ring
10	3234-13	2	Screw-HHF
11	340-8	1	Adapter
11:1	237-65	1	O-Ring
11:2	237-81	1	O-Ring
12	353-682	1	Fitting-Hose
13	54-0110	1	Filter-Oil, Transmission
14	57-5420	1	Screw-Shoulder
15	75-0550	1	Suction-Strainer
16	75-3710	1	Dipstick
17	92-5821	1	Filter Head ASM
18	93-7160	1	Cap-Oil, HYD
19	2412-108	1	Clamp-Worm

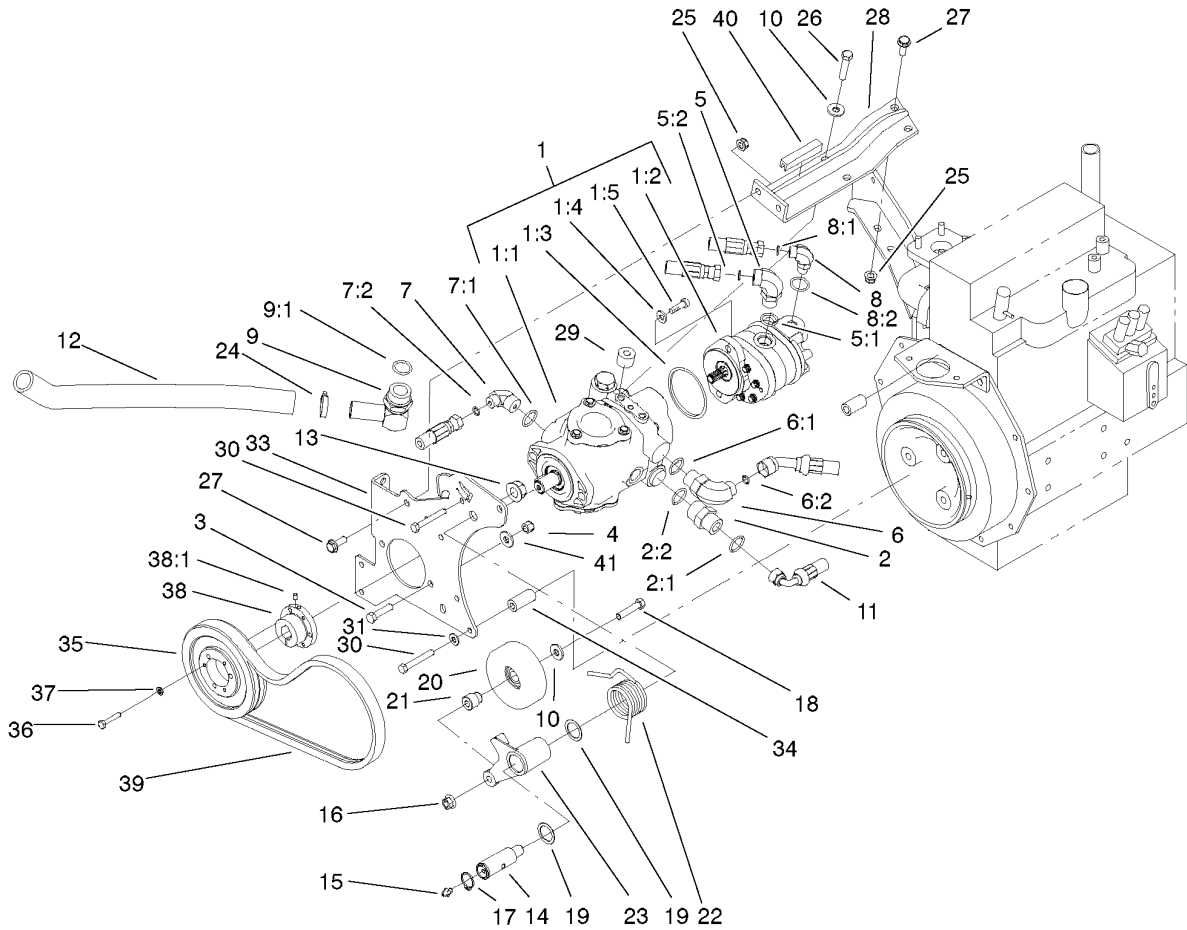
Ref	Part No.	Qty.	Description
20	99-3501	1	Hose



## Hydrostat Assembly

Ref	Part No.	Qty.	Description
1		1	Hydraulic Pump ASM
1:1	104-0428	1	Pump-Piston
1:2	95-8601	1	Pump-Gear
1:3	60-3520	1	O-Ring
1:4	3256-24	2	Washer-Flat
1:5	3274-1	2	Screw-HSH
2	340-8	1	Adapter
2:1	237-65	1	O-Ring
2:2	237-81	1	O-Ring
3	323-8	2	Screw-HH
4	3296-39	2	Nut-Lock, NI
5	340-105	1	Fitting-90 DEG
5:1	237-80	1	O-Ring
5:2	237-30	1	O-Ring
6	340-139	1	Fitting-HYD,
6:1	237-81	1	O-Ring
6:2	237-65	1	O-Ring
7	340-18	1	Fitting-HYD, 90 DEG
7:1	237-79	1	O-Ring
7:2	237-22	1	O-Ring
8	340-77	1	Fitting-90 DEG
8:1	237-22	1	O-Ring
8:2	237-42	1	O-Ring
9	56-9530	1	Fitting

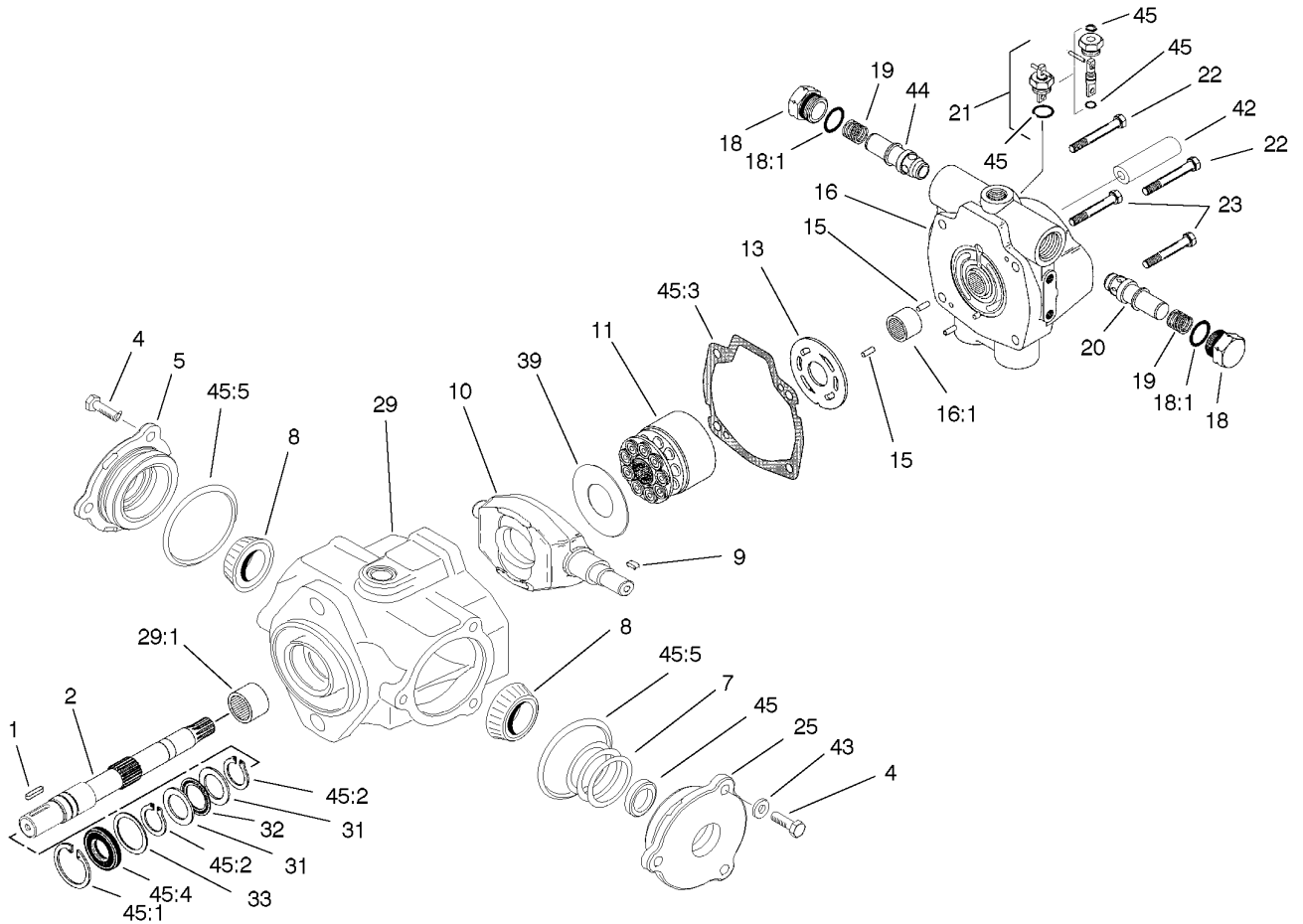
Ref	Part No.	Qty.	Description
9:1	237-117	1	O-Ring
10	80-6990	3	Washer-Hardened
11	95-8834	1	Hose ASM
12	95-8956	1	Hose-Suction
13	32128-54	1	Nut-Flange
14	95-8918	1	Pin-Pivot, Idler
15	302-5	1	Fitting-Grease
16	32128-21	1	Nut-HF
17	32151-36	1	Ring-Retaining
18	323-10	1	Screw-HH
19	74-1810	2	Washer
20	95-8802	1	Pulley-Idler
21	95-8806	1	Spacer
22	95-8917	1	Spring-Torsion
23	95-8957	1	Idler Arm ASM
24	2412-34	1	Clamp-Hose
25	32128-43	4	Nut-Flange
26	323-19	2	Screw-HH
27	3234-11	4	Screw-HHF
28	99-3436-03	1	Support-Pump
29	99-3440	2	Spacer
30	33114-060	4	Screw-HH
31	87-8640	3	Washer-Flat
33	95-8933-03	1	Plate-Mount, Pump



### Hydrostat Assembly (continued)

Ref	Part No.	Qty.	Description
34	95-8941	4	Spacer-Mount, Pump
35	93-6841	1	Pulley
36	321-13	3	Screw-HH
37	3253-3	3	Washer-Lock
38	93-6842	1	Bushing-Lock, Taper
38:1	3245-36	1	Screw-HSH
39	95-8730	1	V-Belt
40	70-2041	1	Trim
41	100-4852	2	Washer-Hardened

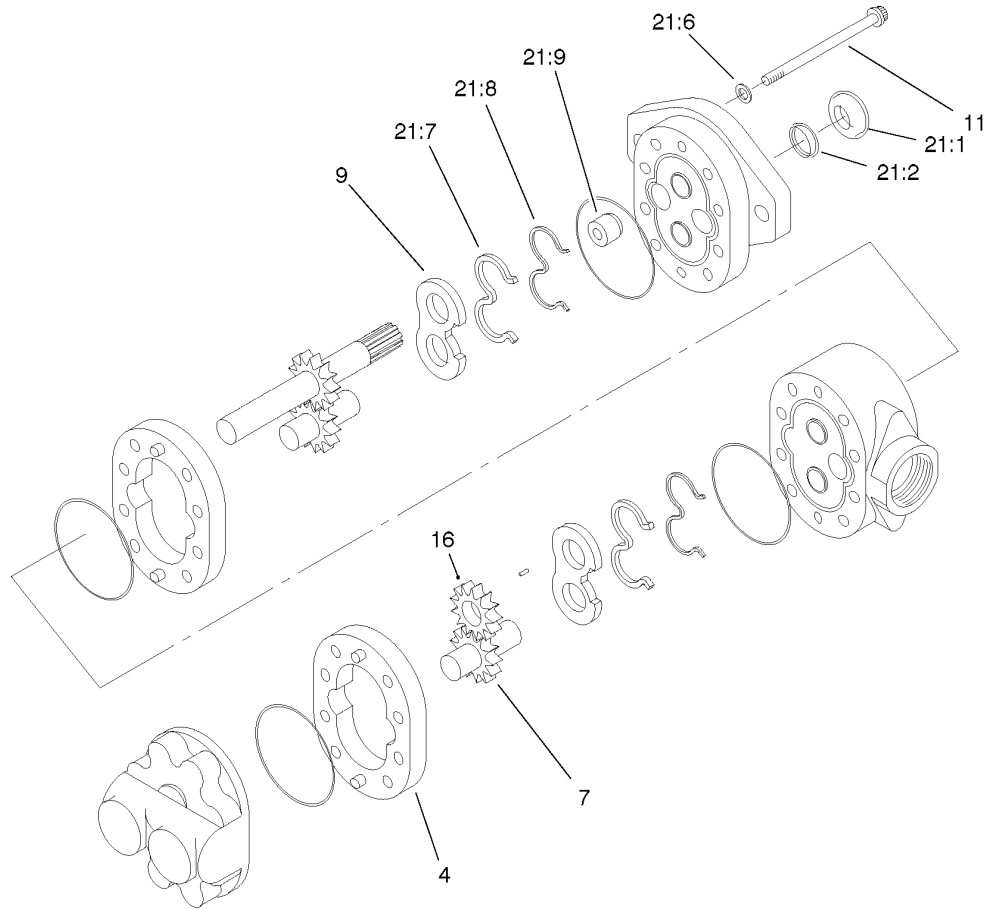
--	--	--	--



## Piston Pump Assembly No. 104-0428

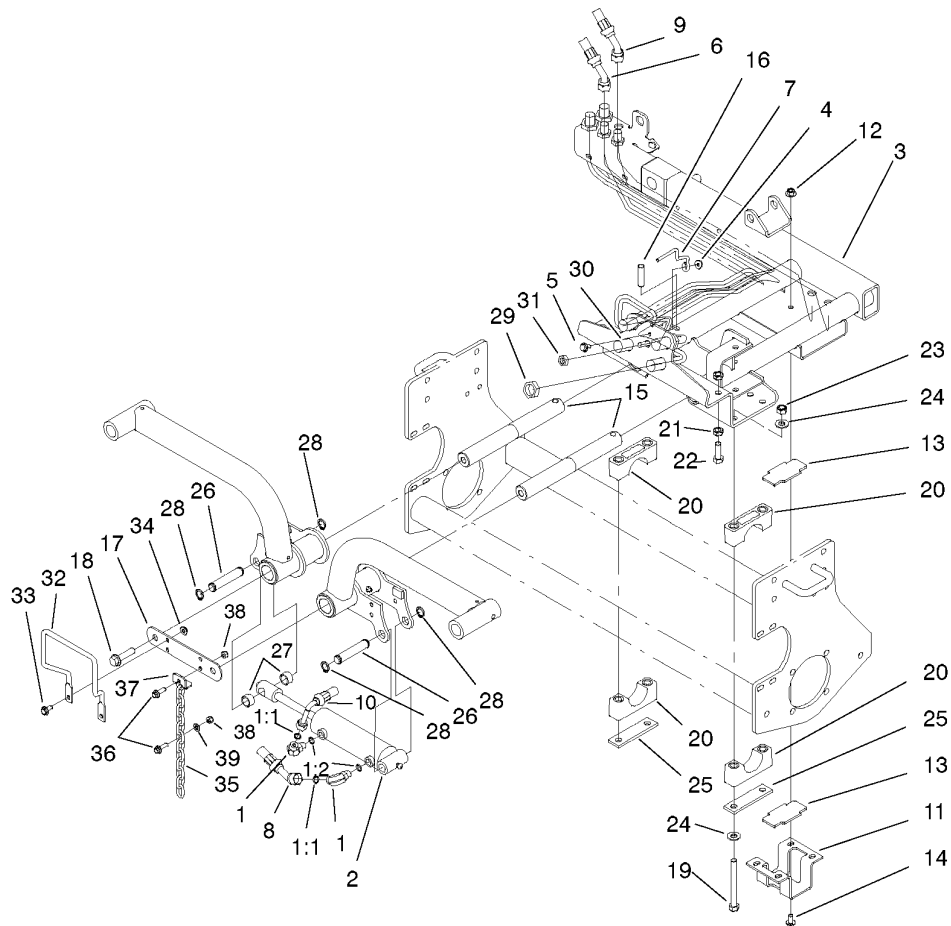
Ref	Part No.	Qty.	Description
1	94-3645	1	Key
2	94-6359	1	Shaft-Drive
4	98-4640	6	Screw-Cap
5	98-4633	1	Cover Plate ASM
7	100-3182	1	Kit-Shim
8	98-4639	2	Bearing-Cone
9	94-3646	1	Key
10	99-3520	1	Plate-Cam
11	76-6070	1	Rotating Kit ASM
13	104-0429	1	Plate-Cam
15	76-6150	2	Pin-Dowel
16	100-3177	1	Back Plate ASM
16:1	94-6368	1	Bearing
18	70-1240	2	Plug ASM
18:1	60-5980	1	O-Ring
19	76-6200	2	Spring
20	94-3644	1	Seat
21	100-3181	1	Dump Valve ASM
22	76-6170	2	Capscrew
23	76-6160	2	Capscrew
25	98-4645	1	Cover Plate ASM
29	100-3176	1	Housing ASM
29:1	94-6363	1	Bearing
31	252-71	2	Bearing-Thrust

Ref	Part No.	Qty.	Description
32	252-66	1	Bearing-Thrust
33	33-3720	1	Washer
39	98-4635	1	Insert-Plate, Cam
42	74-9040	1	Coupler
43	95-6055	6	Washer
44	99-3521	1	Relief Valve ASM
45	98-4636	1	Kit-Repair, Seal
45:1	32151-13	1	Ring-Snap, Internal
45:2	32151-29	1	Ring-Snap, External
45:3	33-4930	1	Gasket-Housing
45:4	42-2720	1	Seal-External
45:5	100-3179	1	O-Ring



### Gear Pump Assembly No. 95-8601

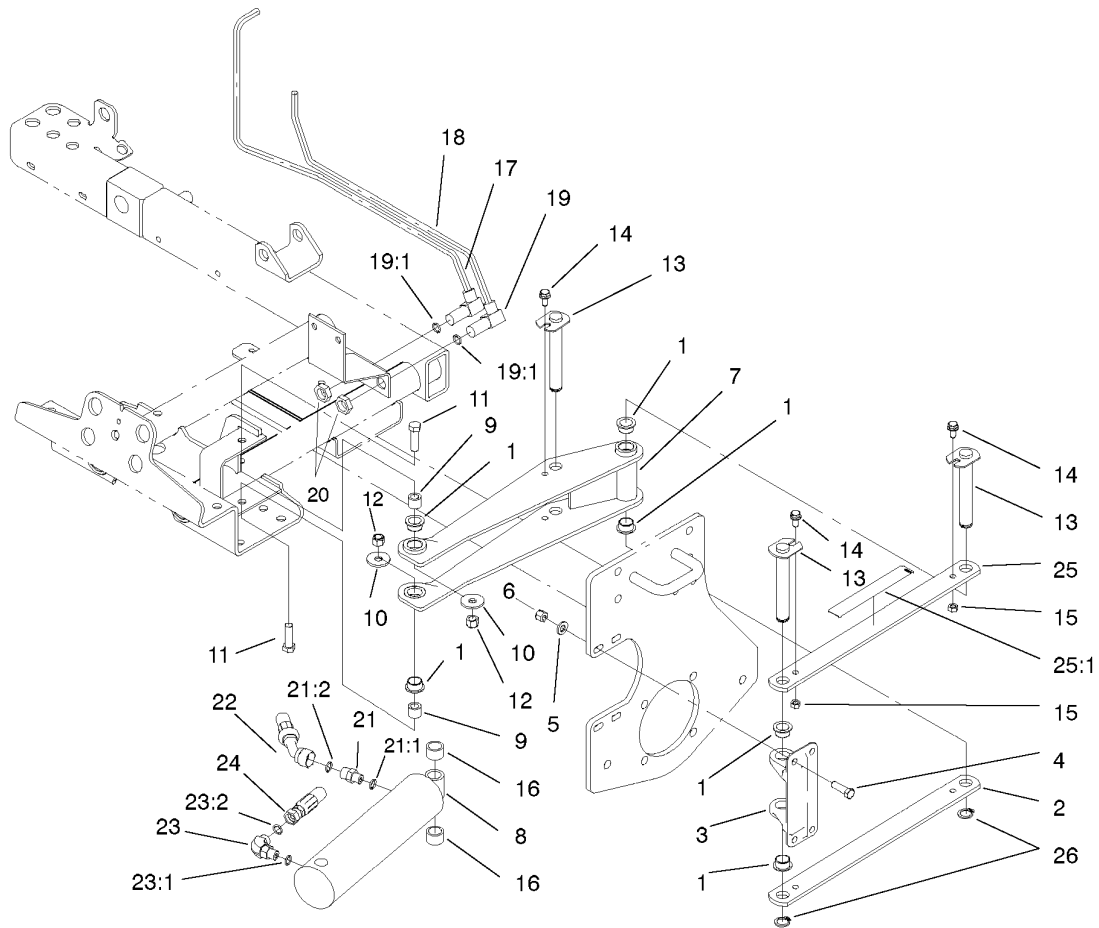
Ref	Part No.	Qty.	Description	
4	95-4364	1	Body	
7	95-4366	1	Gear-Idler	
9	95-4368	2	Plate-Wear	
11	94-8158	8	Screw-Cap	
16	95-4373	1	Gear-Fit, Slip	
21	94-8161	1	Kit-Repair, Seal	
21:1	49-2640	1	Seal-Shaft	
21:2	60-5890	1	Washer	
21:6	94-8160	4	Washer	
21:7	95-4369	2	Seal	
21:8	95-4367	2	Gasket-Back-Up	
21:9	94-3011	1	Plug	



## Carrier Assembly

Ref	Part No.	Qty.	Description
1	340-77	2	Fitting-90 DEG
1:1	237-22	1	O-Ring
1:2	237-42	1	O-Ring
2	95-8978	1	Cylinder-Hydraulic
3	100-4930-03	1	Carrier ASM
4	32128-33	1	Nut-HF
5	3234-4	1	Screw-HHF
6	95-8822	1	Hose ASM
7	99-3433	1	Wire-Center
8	99-3439	1	Hose ASM
9	95-8821	1	Hose ASM
10	95-8840	1	Hose ASM
11	95-8519-03	1	Bracket-Slide
12	32128-43	4	Nut-Flange
13	95-8538	2	Slide-Plastic
14	3234-1	4	Screw-HHF
15	95-8531	2	Shaft-Pivot, Liftarm
16	32121-122	2	Pin-Roll
17	95-8532-03	1	Link-Shaft, Pivot
18	3234-27	2	Screw-Flange
19	325-38	8	Screw-HH
20	95-8609	8	Cap-Bearing
21	3218-5	4	Nut-Jam
22	325-6	2	Screw-HH

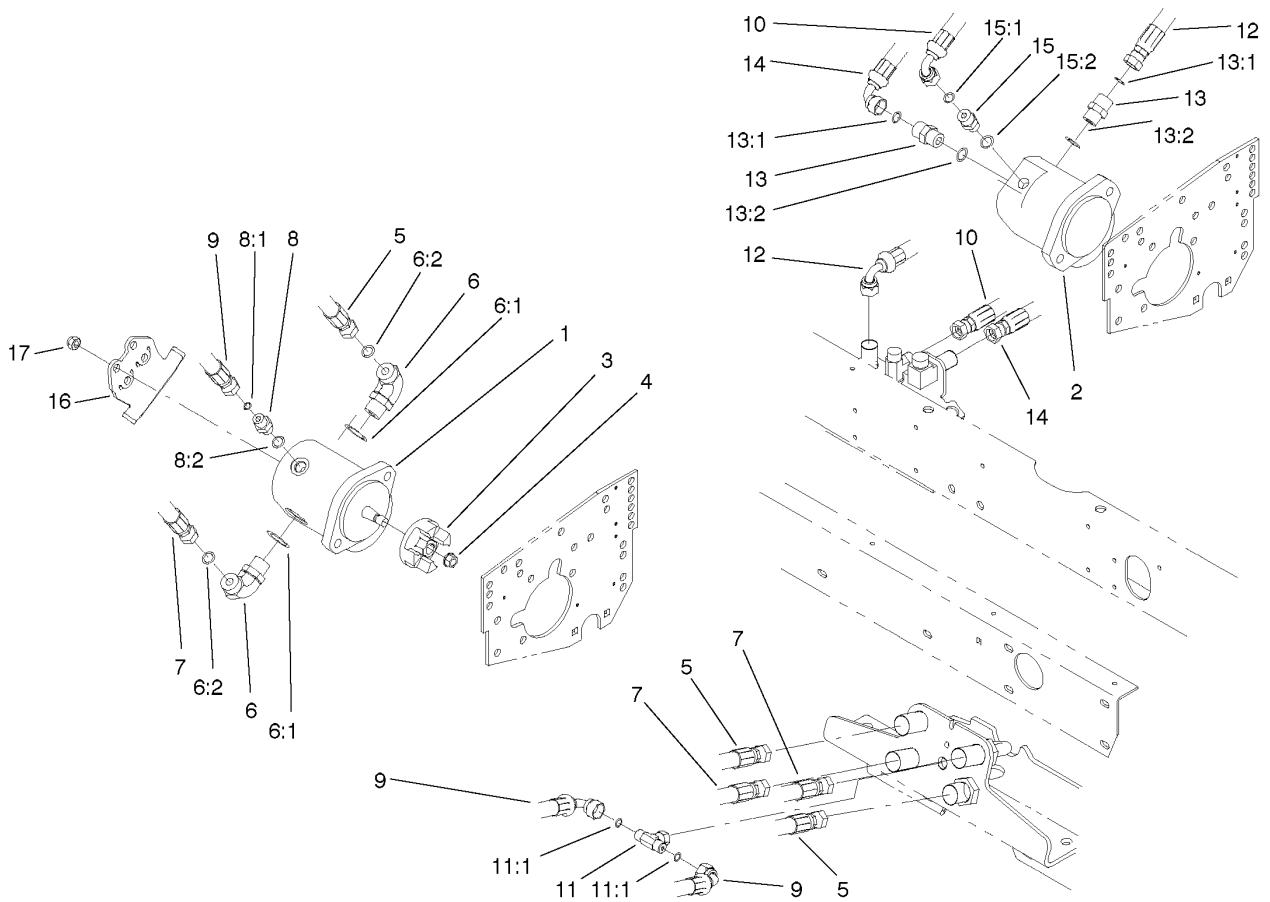
Ref	Part No.	Qty.	Description
23	3296-23	8	Nut-Lock, NI
24	87-7270	16	Washer-Thrust
25	99-3373	4	Bar-Support, Slide
26	95-8575	2	Pin
27	75-9590	2	Spacer-Cylinder
28	32120-93	4	Ring-Retaining
29	340-74	4	Locknut-Bulkhead
30	94-1319	1	Tube-Hydraulic
31	340-78	1	Locknut-Bulkhead
32	99-3492	1	Rod-Formed, Hose Guard
33	3234-5	2	Screw-HHF
34	32128-44	2	Nut
35	98-7981	2	Chain-Link, Straight
36	3234-17	4	Screw-HHF
37	99-3550	2	Clip-Link
38	3296-29	4	Nut-Lock
39	3256-23	2	Washer-Flat
Ⓢ*99	3290-379	3	Tie-Cable
Ⓢ*99	3290-378	1	Tie-Cable



## Scissors Assembly

Ref	Part No.	Qty.	Description
1	95-8526	6	Bushing-Plastic
2	95-8527-03	1	Link-Scissor
3	95-8883	1	Mount-Scissor
4	323-7	4	Screw-HH
5	3256-24	4	Washer-Flat
6	3296-39	4	Nut-Lock, NI
7	95-8521-03	1	Frame-Scissor
8	95-8512	1	Cylinder-Hydraulic
9	95-8603	2	Spacer
10	87-5330	2	Washer
11	324-6	2	Screw-HH
12	3296-48	2	Nut-Lock NI
13	95-8529	3	Pin
14	3234-14	3	Screw-HHF
15	32152-1	3	Nut-Lock, NI
16	46-6350	2	Spacer
17	95-8790	1	Tube ASM
18	95-8791	1	Tube ASM
19	340-154	2	Union-Bulkhead
19:1	237-22	2	O-Ring
20	340-70	2	Locknut-Bulkhead
21	85-9720	1	Fitting-Orificed
21:1	237-78	1	O-Ring
21:2	237-21	1	O-Ring

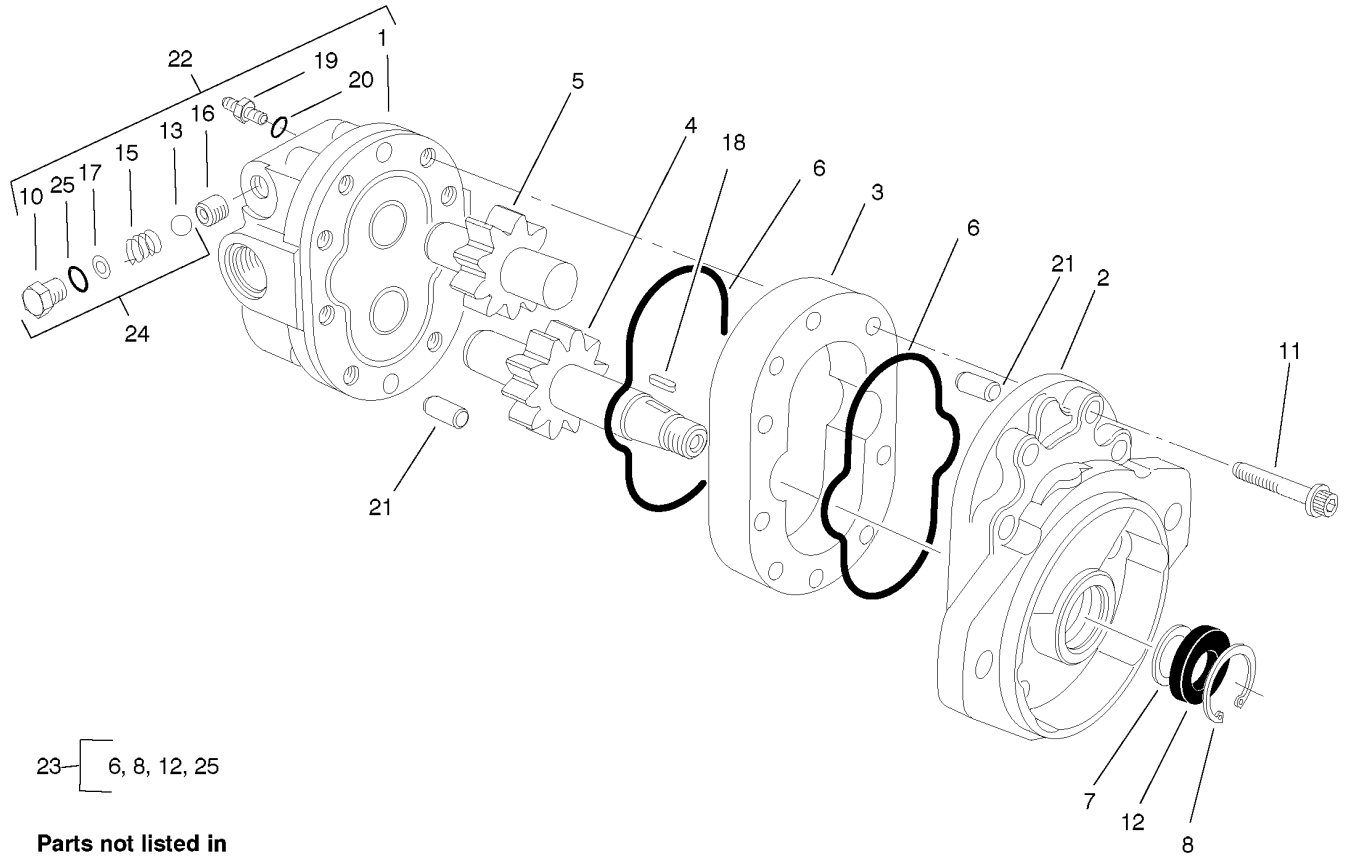
Ref	Part No.	Qty.	Description
22	95-8838	1	Hose ASM
23	340-132	1	Fitting-HYD, 90 DEG
23:1	237-78	1	O-Ring
23:2	237-21	1	O-Ring
24	95-8839	1	Hose ASM
25	99-3505	1	Link ASM-Scissors
25:1	94-3353	1	Decal-Point, Pinch
26	32120-93	2	Ring-Retaining



## Reel Motor Assembly

Ref	Part No.	Qty.	Description
1	99-3627	1	Motor-Gear
2	93-6975	1	Motor-Gear
3	93-8823	3	Coupler-Motor, Reel
4	32128-48	3	Nut-HHF
5	95-8836	2	Hose ASM
6	340-105	4	Fitting-90 DEG
6:1	237-80	2	O-Ring
6:2	237-30	2	O-Ring
7	95-8835	2	Hose ASM
8	340-1	2	Adapter
8:1	237-35	2	O-Ring
8:2	237-42	2	O-Ring
9	95-8837	2	Hose ASM
10	95-8828	1	Hose ASM
11	99-3477	1	Fitting-Tee
11:1	237-42	2	O-Ring
12	95-8826	1	Hose ASM
13	340-6	2	Fitting-HYD, Straight
13:1	237-30	1	O-Ring
13:2	237-80	1	O-Ring
14	95-8827	1	Hose ASM
15	340-2	1	Adapter
15:1	237-22	1	O-Ring
15:2	237-42	1	O-Ring

Ref	Part No.	Qty.	Description
16	100-4846-03	2	Plate-Skid, Motor
17	32128-20	8	Nut-HF

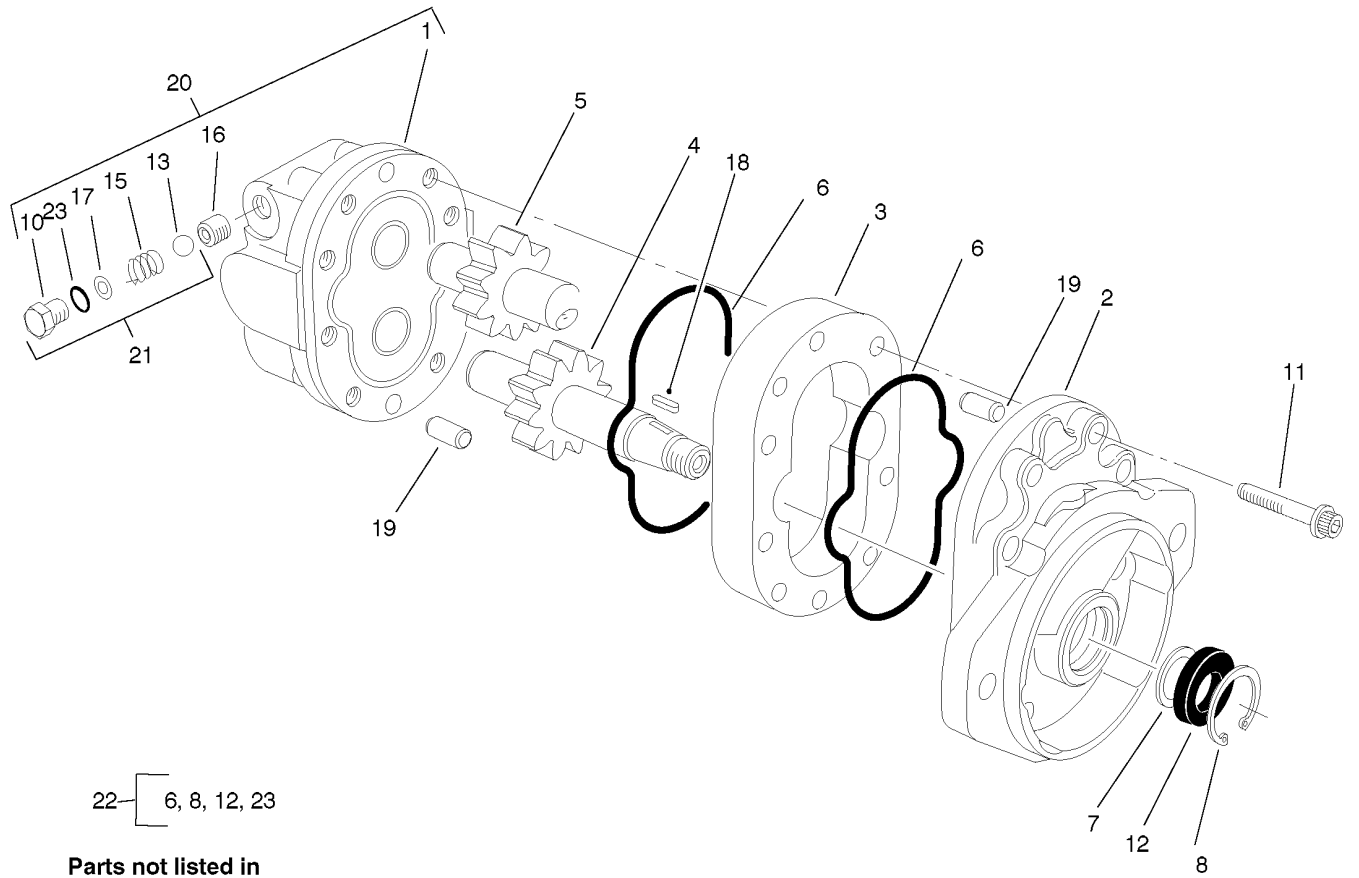


23 — 6, 8, 12, 25

**Parts not listed in partlist are not serviced separately.**

## Motor Gear Assembly No. 99-3627

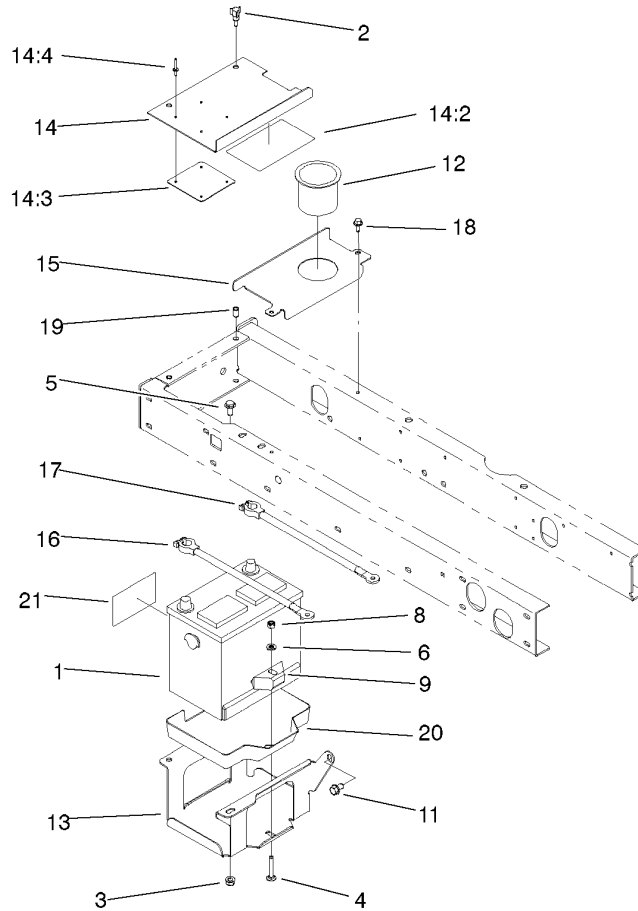
Ref	Part No.	Qty.	Description
2	66-5730	1	Front Plate ASM
3	94-3603	1	Motor Body ASM
4	94-3602	1	Drive Gear ASM
5	94-3601	1	Idler Gear ASM
6	59-8420	2	Ring
7	60-5890	1	Washer
8	59-8320	1	Ring-Retaining
11	94-3600	8	Capscrew
12	66-5710	1	Seal-Shaft
18	94-3606	1	Key
19	104-4830	4	Bolt-Stud
20	60-6410	4	O-Ring
21	42-2010	2	Pin-Dowel
22	100-4873	1	Backplate ASM
23	93-1413	1	Seal Repair Kit
24	92-9260	1	Relief Valve Repair Kit



Parts not listed in partlist are not serviced separately.

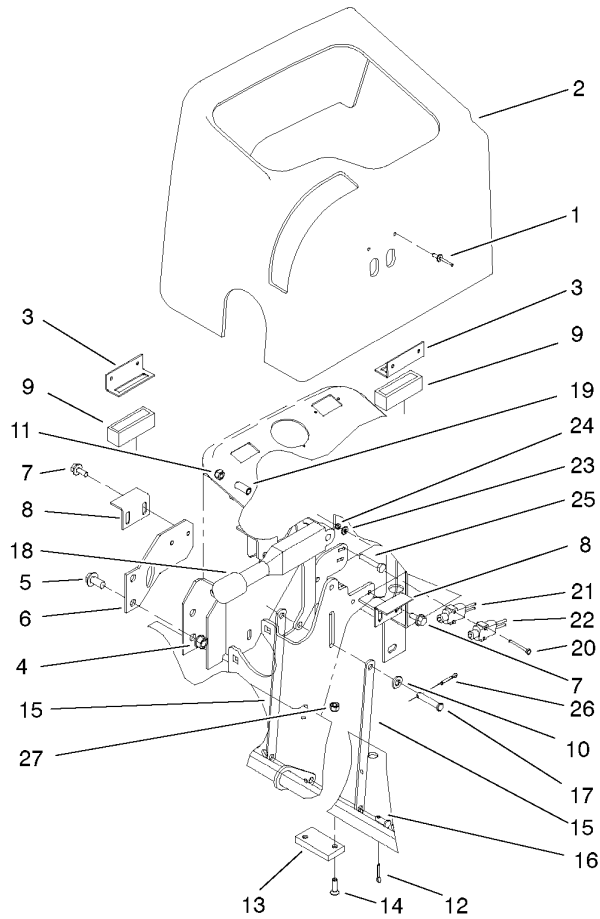
### Motor Gear Assembly No. 93-6975

Ref	Part No.	Qty.	Description
2	66-5730	1	Front Plate ASM
3	94-3603	1	Motor Body ASM
4	94-3602	1	Drive Gear ASM
5	94-3601	1	Idler Gear ASM
6	59-8420	2	Ring
7	60-5890	1	Washer
8	59-8320	1	Ring-Retaining
11	94-3600	8	Capscrew
12	66-5710	1	Seal-Shaft
18	94-3606	1	Key
19	42-2010	2	Pin-Dowel



## Battery Assembly

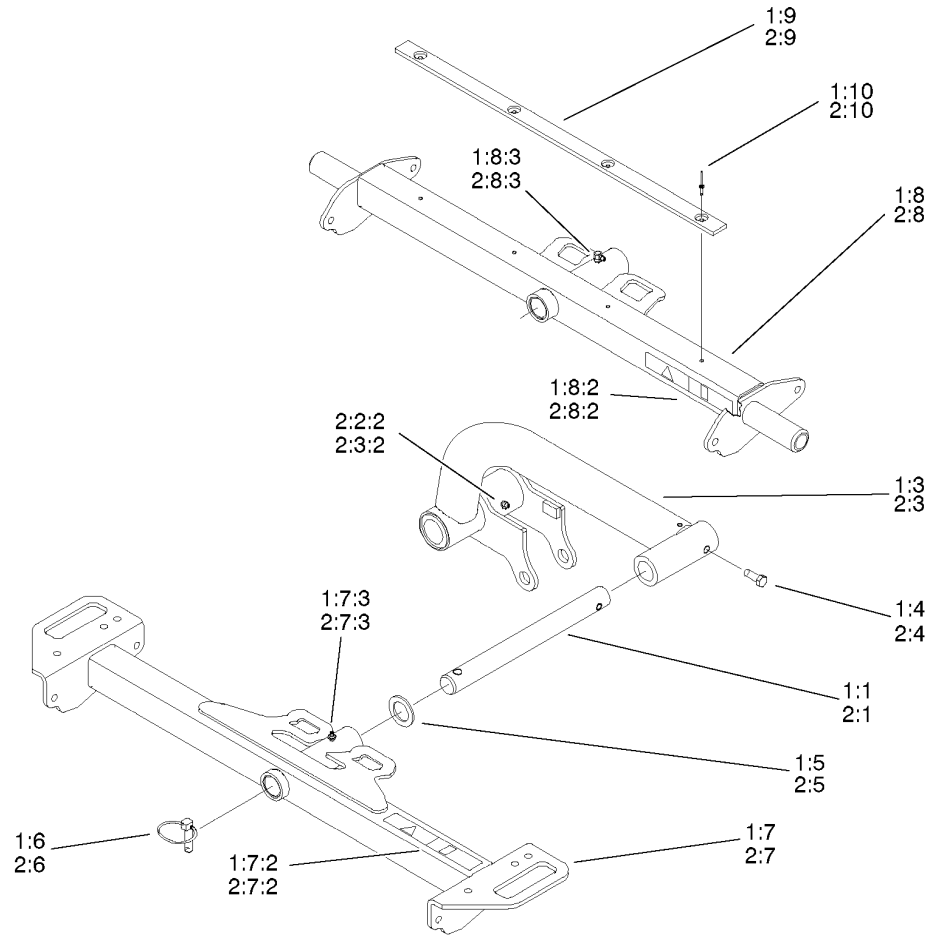
Ref	Part No.	Qty.	Description				
1	83-9000	1	Battery (Dry)				
2	233-70	2	Knob-3 Star				
3	32128-43	3	Nut-Flange				
4	3230-6	1	Screw-CARR				
5	3234-1	3	Screw-HHF				
6	3256-23	1	Washer-Flat				
8	3296-29	1	Nut-Lock				
9	66-2490	1	Retainer-Battery				
11	32144-15	1	Screw				
12	94-1410	1	Holder-Can, Beverage				
13	95-8796-03	1	Support-Battery				
14	99-3602	1	Cover-Battery				
14:2	93-7276	1	Decal-Danger				
14:3	87-7620	1	Shield-Terminal, Battery				
14:4	3269-27	4	Rivet-Snap				
15	95-8817-01	1	Cover-Battery, Inner				
16	95-8853	1	Cable-Battery, Positive				
17	95-8854	1	Cable-Battery, Negative				
18	32144-4	2	Screw-HH				
19	32148-6	2	Nut-Insert				
20	99-3513	1	Tray-Battery				
21	93-6668	1	Decal-Battery				



## Parking Brake Assembly

Ref	Part No.	Qty.	Description
1	3269-5	4	Rivet
2	95-8707	1	Cover-Dash
3	95-8763	2	Bracket-Hold Down, Cover
4	32128-43	2	Nut-Flange
5	3234-1	2	Screw-HHF
6	95-8764-03	1	Support-Magnet
7	32144-10	4	Screw-HWH
8	95-8765	2	Bracket-Strike, Magnet
9	58-4250	2	Catch-Magnetic
10	3256-23	1	Washer-Flat
11	3296-42	1	Nut-Lock NI
12	3272-10	1	Pin-Cotter
13	95-8684	1	Pad-Bumper
14	3289-4	2	Screw-FH
15	95-8681-03	2	Link-Brake, Parking
16	283-62	1	Pin-Clevis
17	94-3829	1	Pin-Clevis
18	104-4817	1	Lever-Brake
19	87-4710	1	Spacer-Brake, Parking
20	32105-21	2	Screw-HH
21	95-8900	1	Switch
22	99-3410	1	Switch
23	3256-21	4	Washer-Flat
24	3296-9	2	Nut-Lock NI

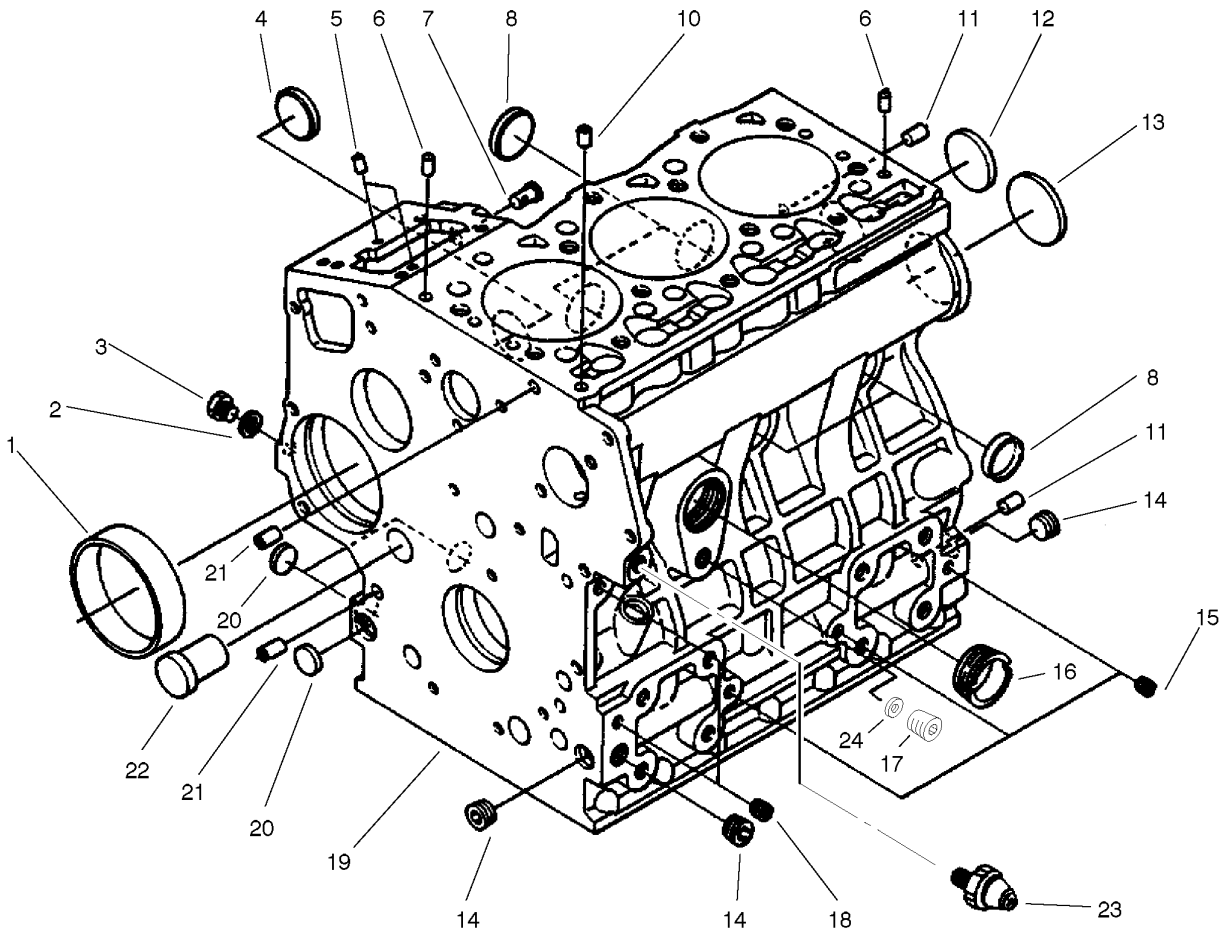
Ref	Part No.	Qty.	Description
25	321-9	1	Screw-HH
26	3272-6	1	Pin-Cotter
27	32128-32	2	Nut-HHF



### Lift Arm Kit Assembly

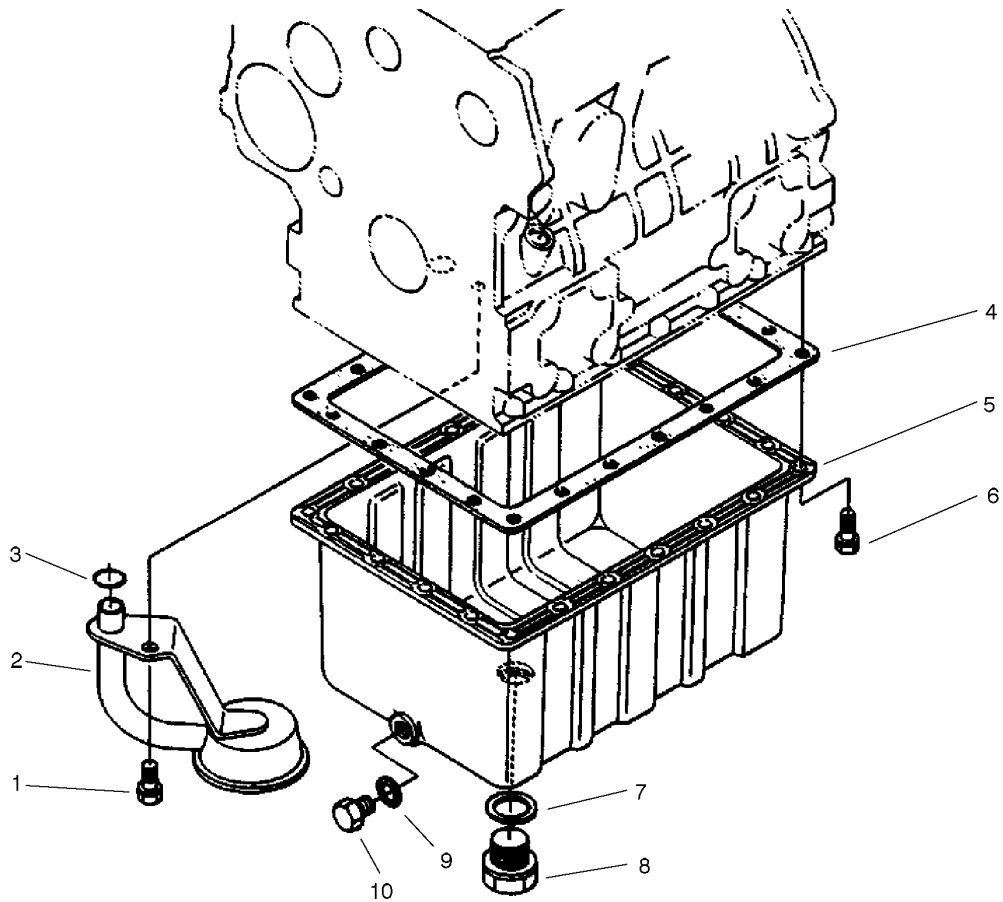
Ref	Part No.	Qty.	Description
1	03220	1	27" Lift Arm Kit
1:1	95-8979	2	Shaft
⑤*1:2	95-8553	1	RH Short Liftarm ASM
1:3	95-8554	1	LH Short Liftarm ASM
1:4	323-6	2	Screw-HH
1:5	3-6781	2	Washer-Thrust
1:6	283-71	2	Pin-Lynch
1:7	99-3506	2	Front Carrier Frame ASM
1:7:2	94-3353	1	Decal-Point, Pinch
1:7:3	302-5	1	Fitting-Grease
1:8	99-3508	1	Rear Carrier Frame ASM
1:8:2	94-3353	1	Decal-Point, Pinch
1:8:3	302-60	1	Fitting-Lube
1:9	95-8936	1	Strip-Wear
1:10	3269-18	4	Rivet-Pop, Steel
2	03221	1	32" Lift Arm Kit
2:1	95-8979	2	Shaft
⑤*2:2	95-8550	1	RH Long Liftarm ASM
2:2:2	302-5	1	Fitting-Grease
2:3	95-8551	1	LH Long Liftarm ASM
2:3:2	302-5	1	Fitting-Grease
2:4	323-6	2	Screw-HH
2:5	3-6781	2	Washer-Thrust
2:6	283-71	2	Pin-Lynch

Ref	Part No.	Qty.	Description
2:7	99-3507	2	Front Carrier Frame ASM
2:7:2	94-3353	1	Decal-Point, Pinch
2:7:3	302-5	1	Fitting-Grease
2:8	99-3509	1	Rear Carrier Frame ASM
2:8:2	94-3353	1	Decal-Point, Pinch
2:8:3	302-60	1	Fitting-Lube
2:9	95-8936	1	Strip-Wear
2:10	3269-18	4	Rivet-Pop, Steel



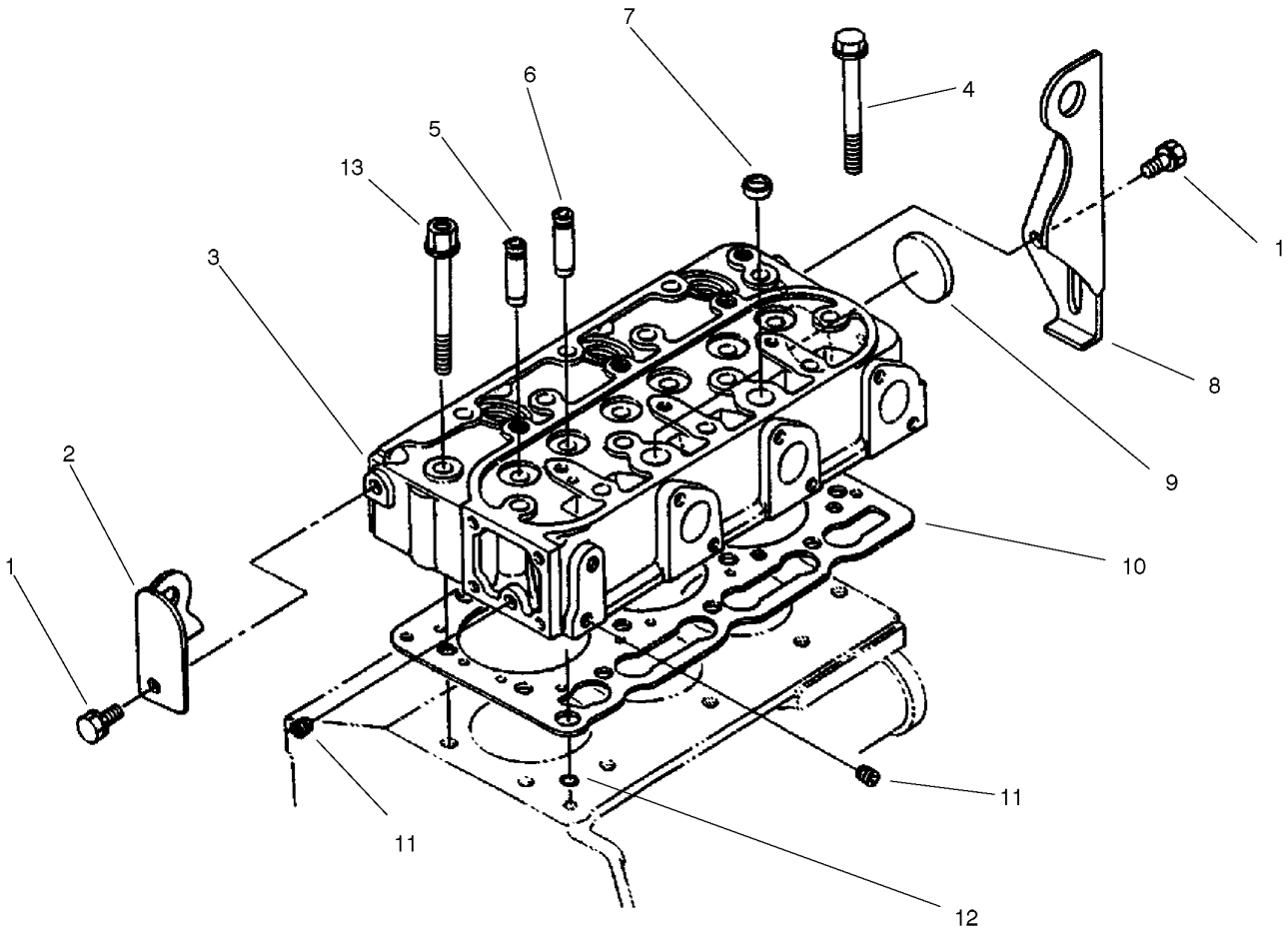
## Crankcase Assembly

Ref	Part No.	Qty.	Description	
1	98-9656	1	Bushing-Gear, Governor	
2	98-7428	1	Gasket	
3	98-7507	1	Plug	
4	98-9599	1	Plug	
5	98-9375	2	Pin-Straight	
6	98-9376	2	Pin-Straight	
7	98-9630	1	Pin-Start Spring	
8	98-9398	4	Cap-Sealing	
10	98-9539	1	Pin-Pipe	
11	98-9377	2	Pin-Straight	
12	98-7540	1	Plug	
13	98-9668	1	Plug	
14	98-9597	3	Plug	
15	98-7539	3	Cap-Sealing	
16	98-9667	1	Plug	
17	99-3447	1	Plug-Pipe	
18	98-7487	2	Plug	
19	98-9604	1	Crankcase ASM(Incl. Ref. #1-8,10-16,18 & 20-22)	
20	98-9379	3	Plug	
21	98-9387	2	Pin-Pipe	
22	98-9675	1	Plug	
23	98-9416	1	Switch	
24	99-3445	1	Gasket	



### Oil Pan Assembly

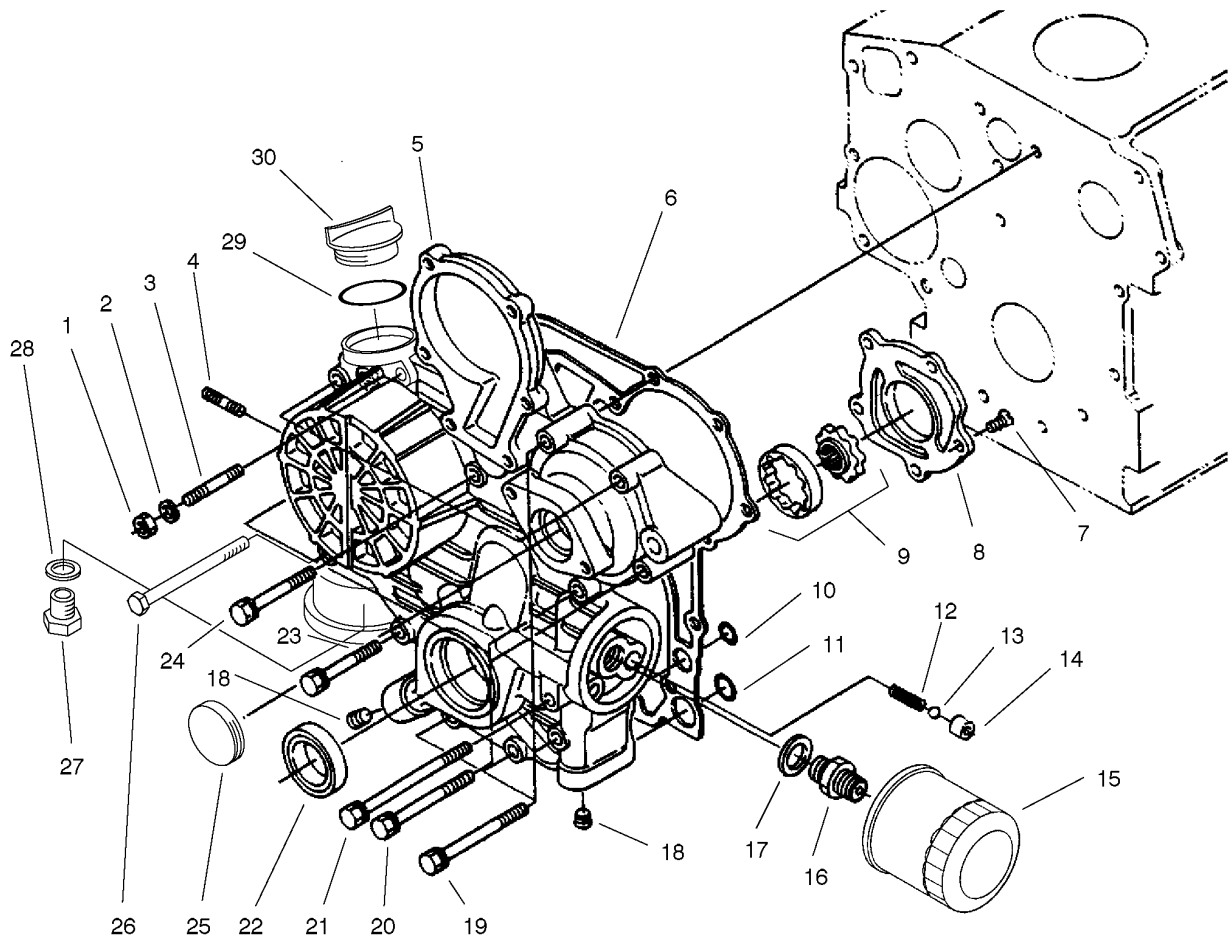
Ref	Part No.	Qty.	Description				
1	98-9358	1	Bolt				
2	98-9538	1	Filter-Oil				
3	98-7527	1	O-Ring				
4	98-9646	1	Gasket-Pan, Oil				
5	98-9685	1	Oil Pan				
6	98-9350	22	Bolt				
7	98-9399	1	Gasket				
8	98-7523	1	Plug-Drain				
9	98-7524	1	Gasket				
10	98-9386	1	Plug				



### Cylinder Head Assembly

Ref	Part No.	Qty.	Description
1	98-7585	2	Bolt
2	98-9477	1	Hook-Engine
3	99-8344	1	Cylinder Head ASM(Incl. Ref. #5-7,9 &11)
4	98-9479	12	Bolt-Head, Cylinder
5	98-9499	3	Guide-Valve, Inlet
6	98-9500	3	Guide-Valve, Exhaust
7	98-9389	2	Cap-Sealing
8	98-9478	1	Hook-Engine
9	98-9395	1	Cap-Sealing
10	98-9613	1	Gasket-Head, Cylinder
11	98-7540	2	Plug
12	98-7509	1	O-Ring
13	98-9647	2	Bolt-Head, Cylinder

--	--	--	--

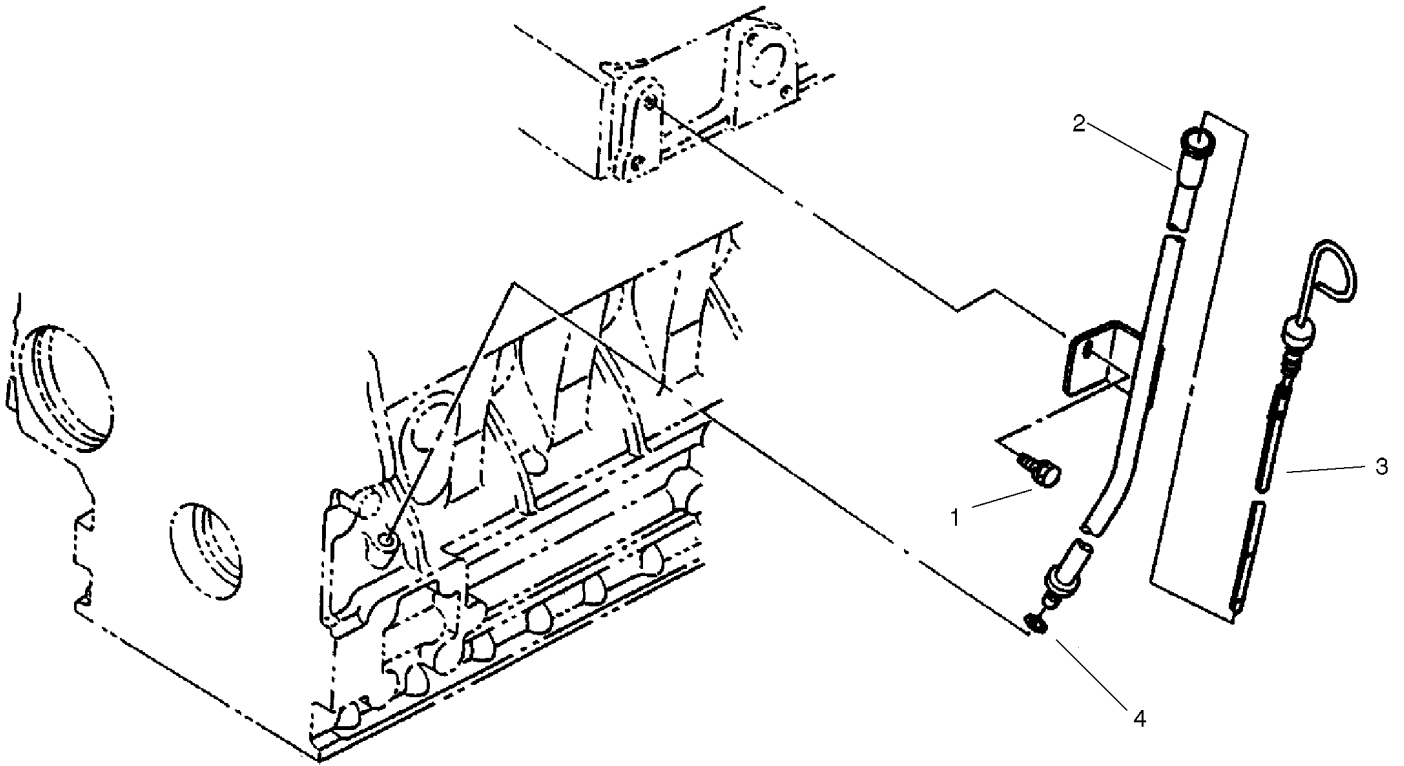


## Gear Case And Oil Filter Assembly

Ref	Part No.	Qty.	Description
1	98-7572	1	Nut
2	98-9367	1	Washer-Lock
3	98-9363	1	Stud
4	98-9362	2	Stud
5	99-3462	1	Gear Case ASM(Incl. Ref. #7-9, 12-14& 16-18)
6	98-9633	1	Gasket-Case, Gear
7	98-9592	5	Screw
8	98-9541	1	Cover-Pump, Oil
9	98-9540	1	Oil Pump Rotor ASM
10	98-9372	2	O-Ring
11	98-7547	2	O-Ring
12	98-9544	1	Spring
13	98-9380	1	Ball
14	98-9543	1	Seal-Valve
15	99-8384	1	Oil Cartridge ASM
16	98-9388	1	Joint-Pipe
17	98-7562	1	Washer-Flat
18	98-9598	2	Plug
19	98-9356	2	Bolt
20	98-9355	4	Bolt
21	99-3510	2	Bolt
22	98-9482	1	Seal-Oil
23	98-9437	1	Bolt

Ref	Part No.	Qty.	Description
24	98-7496	3	Bolt
25	99-3515	1	Plug-Case, Gear
26	99-3511	1	Bolt
27	99-3450	1	Plug
28	99-3451	1	Packing-Plug
29	98-7430	1	O-Ring
30	98-9449	1	Plug-Filler, Oil

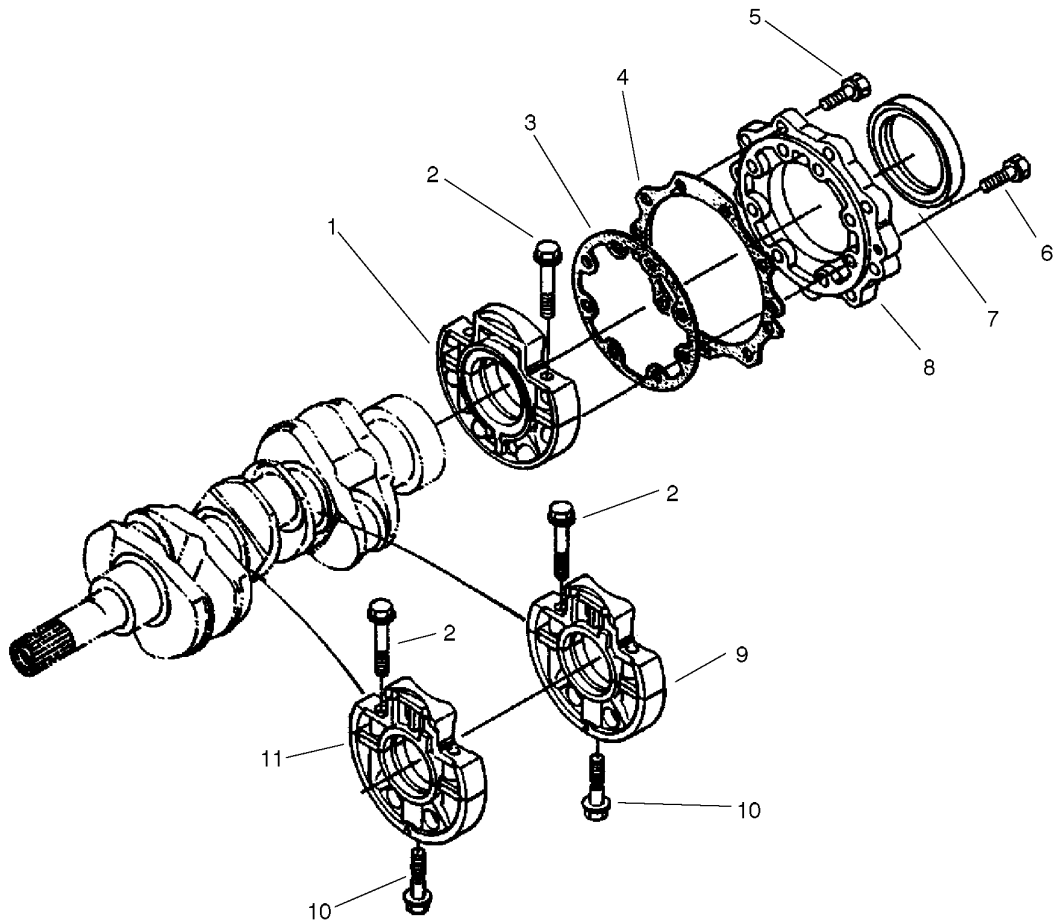




### Dipstick And Guide Assembly

Ref	Part No.	Qty.	Description
1	98-7585	1	Bolt
2	98-9671	1	Guide-Gauge, Oil
3	98-9670	1	Gauge-Oil
4	98-9374	1	O-Ring
⑤*	98-9672	1	Oil Gauge Guide ASM(Incl. Ref. #2 & 4)

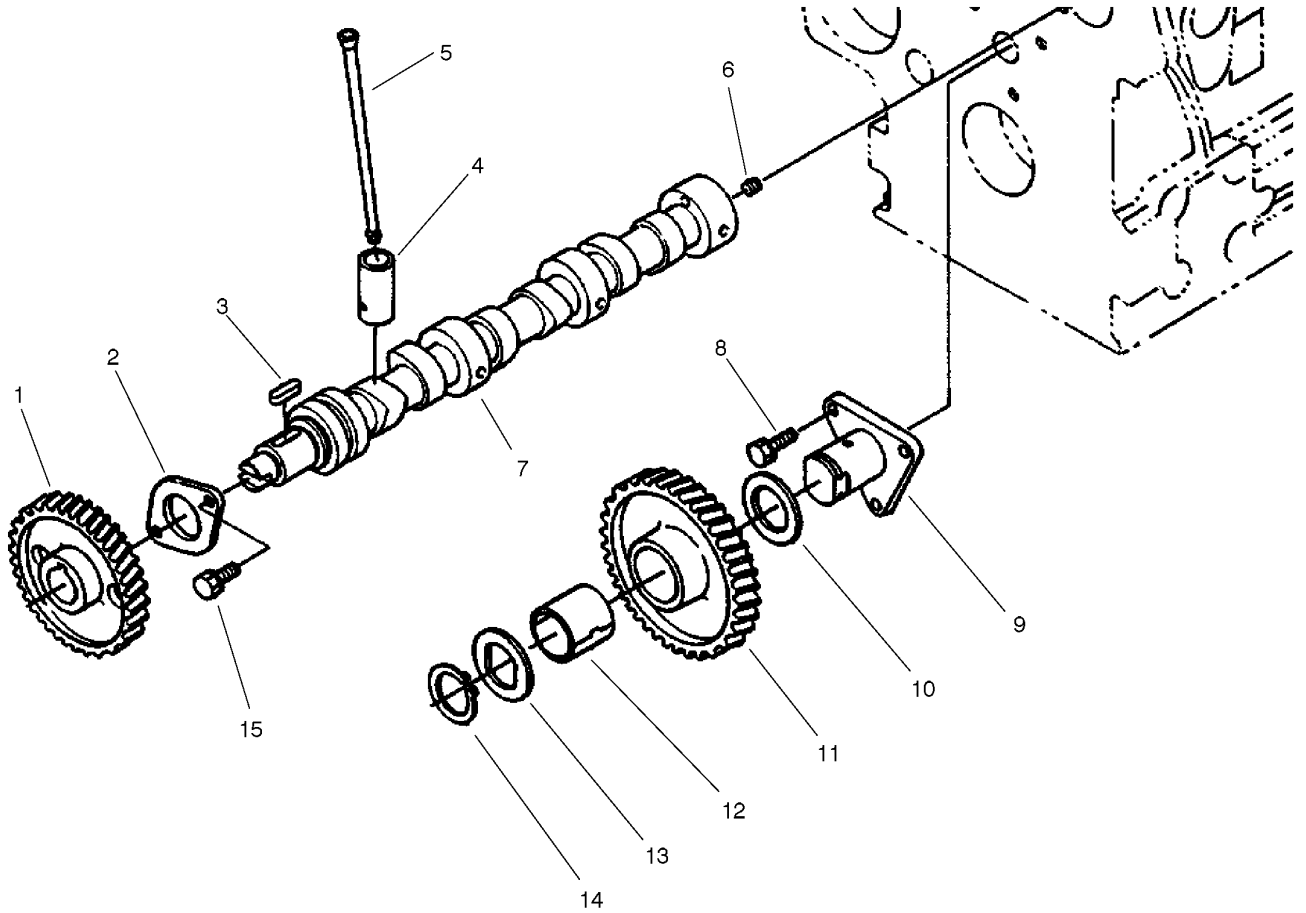
--	--	--	--



### Main Bearing Case Assembly

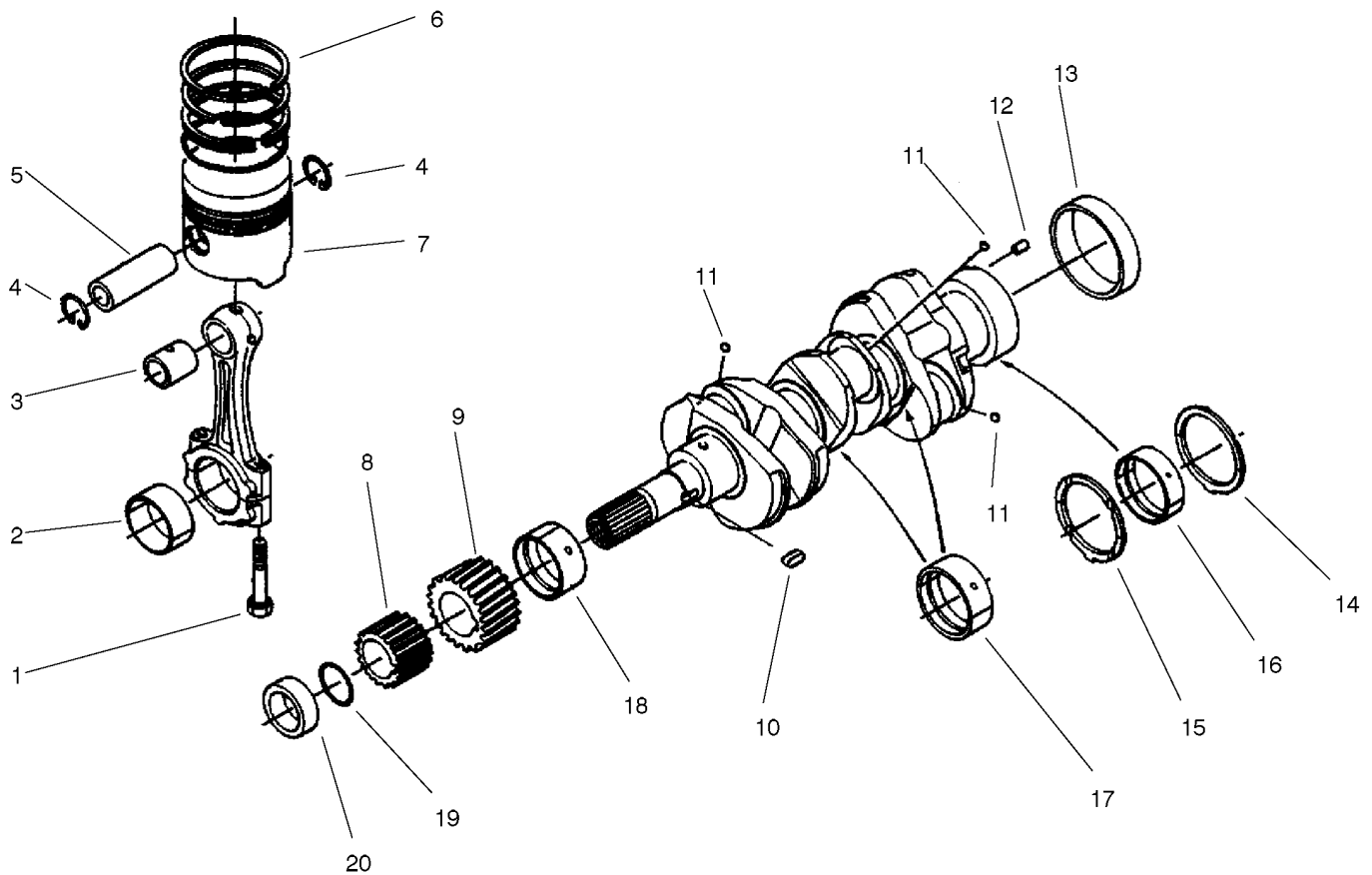
Ref	Part No.	Qty.	Description
1	99-8345	1	Main Bearingcase ASM
2	98-9484	6	Bolt-Case, Bearing
3	98-9634	1	Gasket-Case, Bearing
4	98-9635	1	Gasket-Case, Bearingcover
5	98-7568	9	Bolt
6	98-9352	8	Bolt
7	98-9483	1	Seal-Oil
8	98-9487	1	Cover-Case, Bearing
9	98-9607	1	Main Bearingcase ASM(Incl. Ref. #2 & 10)
10	98-9485	2	Bolt-Case, Bearing
11	98-9606	1	Main Bearingcase ASM(Incl. Ref. #2 &10)

--	--	--	--



### Camshaft Assembly

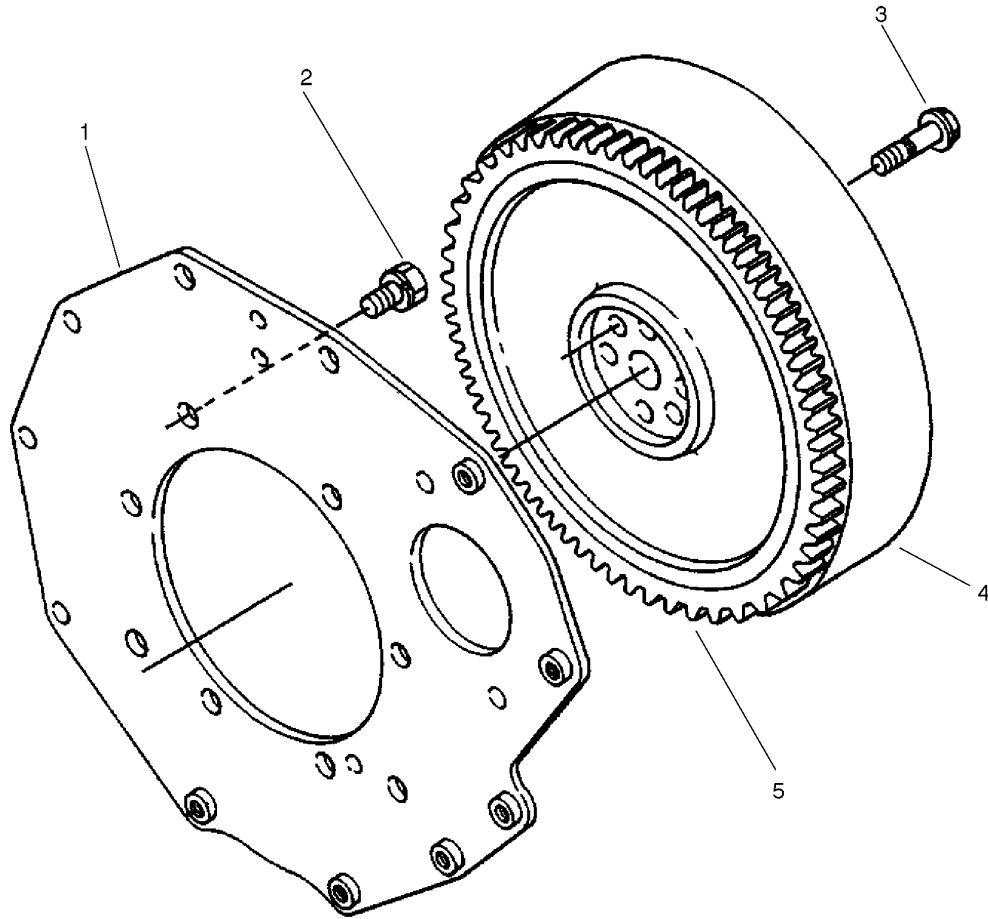
Ref	Part No.	Qty.	Description
1	98-9512	1	Gear-Cam
2	98-9510	1	Stopper-Camshaft
3	98-9378	1	Key-Feather
4	98-9616	6	Tappet
5	98-9509	6	Push Rod
6	98-7449	1	Screw-Set
7	98-9617	1	Camshaft ASM(Incl. Ref. #1-3,6 & 15)
8	98-7692	3	Bolt
9	98-9533	1	Shaft-Gear, Idle
10	98-9535	1	Collar-Gear, Idle
11	98-9649	1	Idle Gear ASM(Incl. Ref. #8-14)
12	98-9650	1	Bushing-Gear, Idle
13	98-9536	1	Collar-Gear, Idle
14	98-9534	1	Clip-Circular, Idle Gear
15	98-9351	2	Bolt

## Piston And Crankshaft Assembly

Ref	Part No.	Qty.	Description
1	98-9517	6	Bolt-Connecting Rod
2	98-9553	3	Metal-Crankpin (STD.)
2	98-9519	3	Metal-Crankpin(0.2Mm Undersize)
2	98-9520	3	Metal-Crankpin(0.4Mm Undersize)
3	98-9515	3	Bushing-Piston Pin
4	98-9514	6	Clip-Circular,Piston Pin
5	98-9513	3	Pin-Piston
6	98-9618	3	Piston Ring ASM (STD.)
6	98-9619	3	Piston Ring ASM(0.5Mm Oversize)
7	98-9550	3	Piston (STD.)
7	98-9470	3	Piston(0.5Mmoversize)
8	98-9542	1	Gear-Drive, Oil Pump
9	98-9532	1	Gear-Crankshaft
10	98-9666	1	Key
11	98-7473	3	Ball
12	98-9375	1	Pin-Straight
13	98-9522	1	Sleeve-Crankshaft
14	98-9413	2	Metal-Side (STD.)
14	98-9414	2	Metal-Side(0.2Mm Oversize)
14	98-9415	2	Metal-Side(0.4Mm Oversize)
15	98-9688	2	Metal-Side (STD.)
15	98-9689	2	Metal-Side(0.2Mm Oversize)
15	98-9690	2	Metal-Side(0.4Mm Oversize)

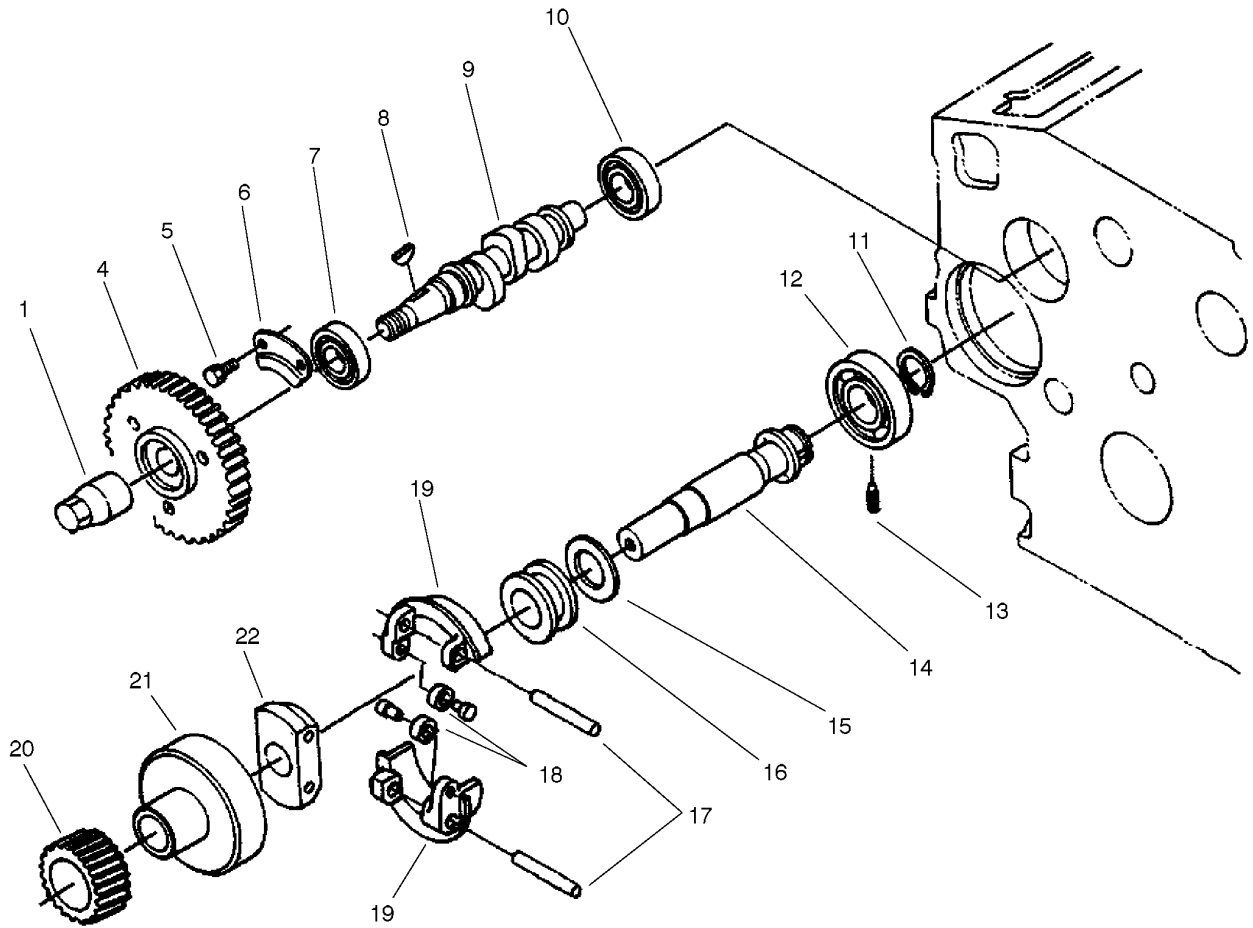
Ref	Part No.	Qty.	Description
16	98-9556	1	Metal-Crankshaft (STD)
16	98-9526	1	Metal-Crankshaft(0.2Mm Undersize)
16	98-9527	1	Metal-Crankshaft(0.4Mm Undersize)
17	98-9555	2	Metal-Crankshaft(STD Set)
17	98-9530	2	Metal-Crankshaft(0.2Mm Undersize Set)
17	98-9531	2	Metal-Crankshaft(0.4Mm Undersize Set)
18	98-9554	1	Metal-Crankshaft (STD)
18	98-9528	1	Metal-Crankshaft(0.2Mm Undersize)
18	98-9529	1	Metal-Crankshaft(0.4Mm Undersize)
19	98-9373	1	O-Ring
20	98-9521	1	Collar-Crankshaft
Ⓔ*	98-9552	3	Connecting Rod ASM(Incl. Ref. #1-3)
Ⓔ*	98-9642	1	Crankshaft ASM(Incl. Ref. #8-13)



### Flywheel Assembly

Ref	Part No.	Qty.	Description
1	98-9486	1	Plate-End, Rear
2	98-9392	8	Bolt
3	98-9537	6	Bolt-Flywheel
4	98-9691	1	Flywheel ASM(Incl. Ref. #5)
5	98-9394	1	Gear-Ring

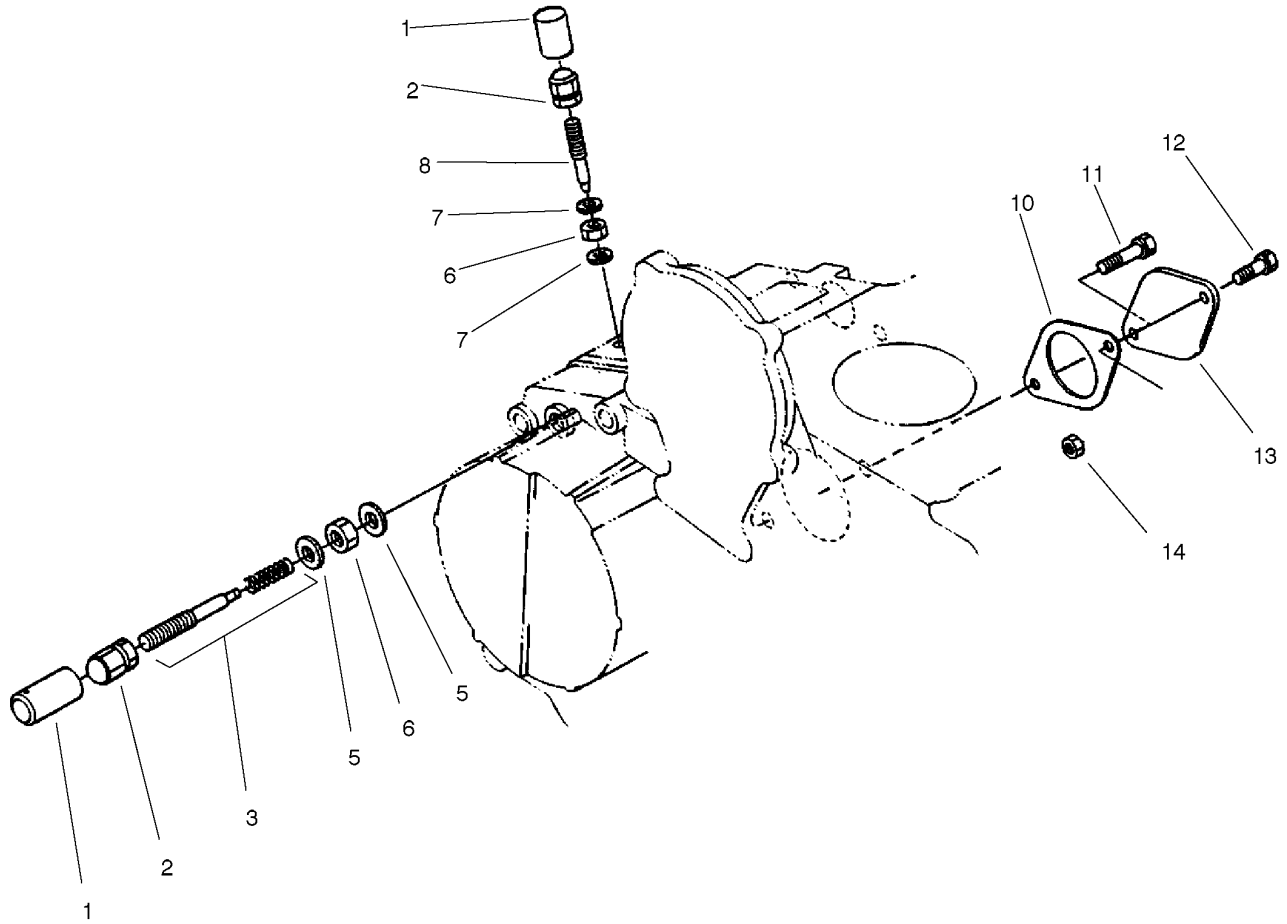
--	--	--	--



### Fuel Camshaft Assembly

Ref	Part No.	Qty.	Description
1	98-9590	1	Nut-Cap
4	98-9669	1	Gear-Injection Pump
5	98-9350	2	Bolt
6	98-9511	1	Stopper-Fuel,Camshaft
7	98-9383	1	Bearing-Ball
8	98-9595	1	Key-Woodruff
9	98-9459	1	Camshaft-Fuel
10	98-9382	1	Bearing-Ball
11	98-9657	1	Clip-Circular,Gov. Shaft
12	98-9381	1	Bearing-Ball
13	98-9565	1	Screw-Set
14	98-9644	1	Governor Shaft ASM (Incl. Ref.#12 & 14-22)
15	98-9564	1	Washer-Thrust
16	98-9563	1	Sleeve-Governor
17	98-9560	2	Shaft-Weight,Governor
18	98-9692	2	Roller
19	98-9559	2	Governor Weight ASM
20	98-9673	1	Gear-Governor
21	98-9562	1	Holder-Gear, Governor
22	98-9561	1	Holder-Gear, Governor

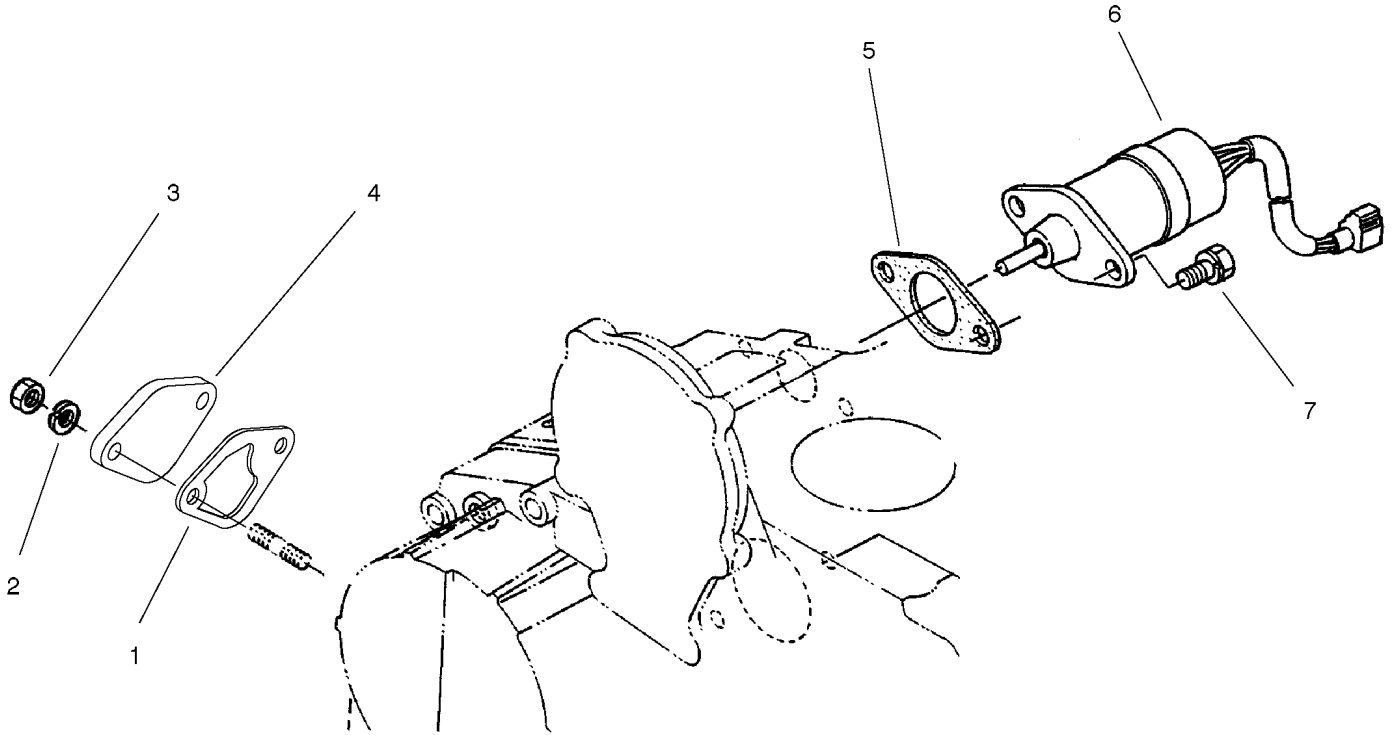
--	--	--	--



## Engine Stop Lever Assembly

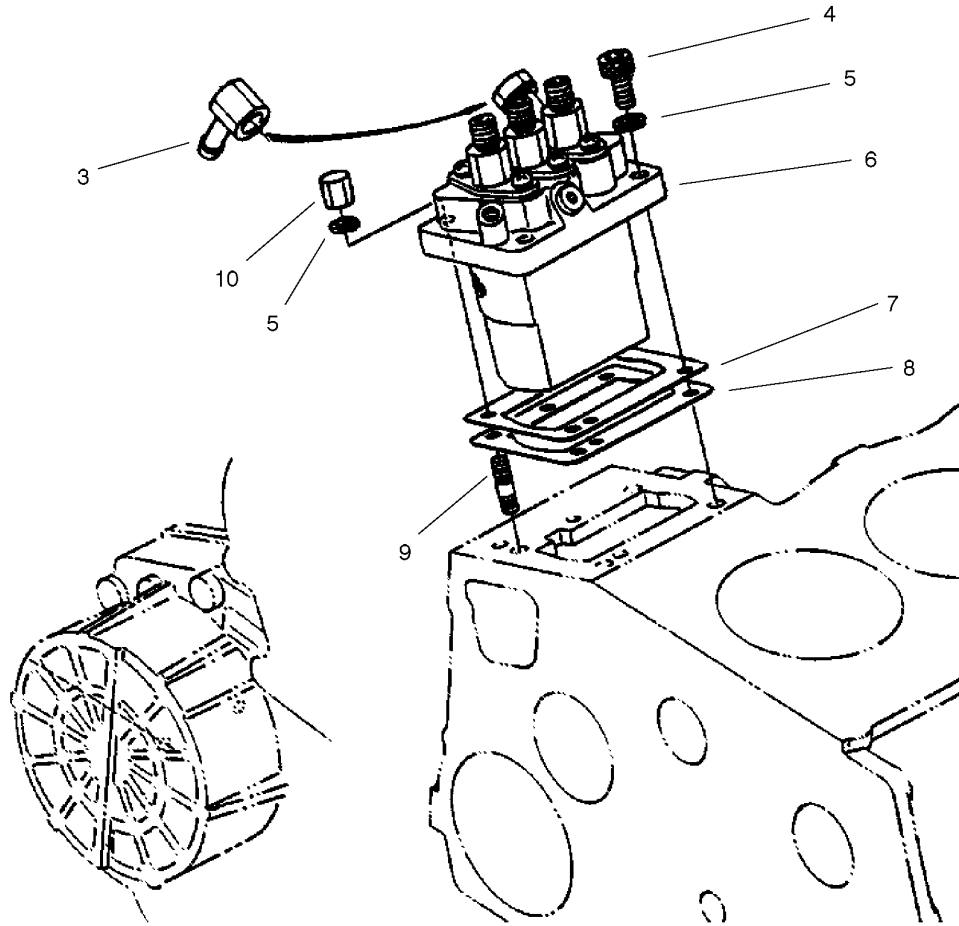
Ref	Part No.	Qty.	Description
1	99-3465	2	Cap
2	98-9441	2	Nut-Cap
3	99-3458	1	Adjusting ASM
5	98-7654	2	Gasket
6	98-9439	2	Nut
7	98-7654	2	Gasket
8	98-9557	1	Bolt-Adjusting
10	98-9674	1	Packing
11	98-7645	1	Bolt
12	98-9359	1	Bolt
13	98-9640	1	Cover-Pump
14	98-7534	1	Nut

--	--	--	--



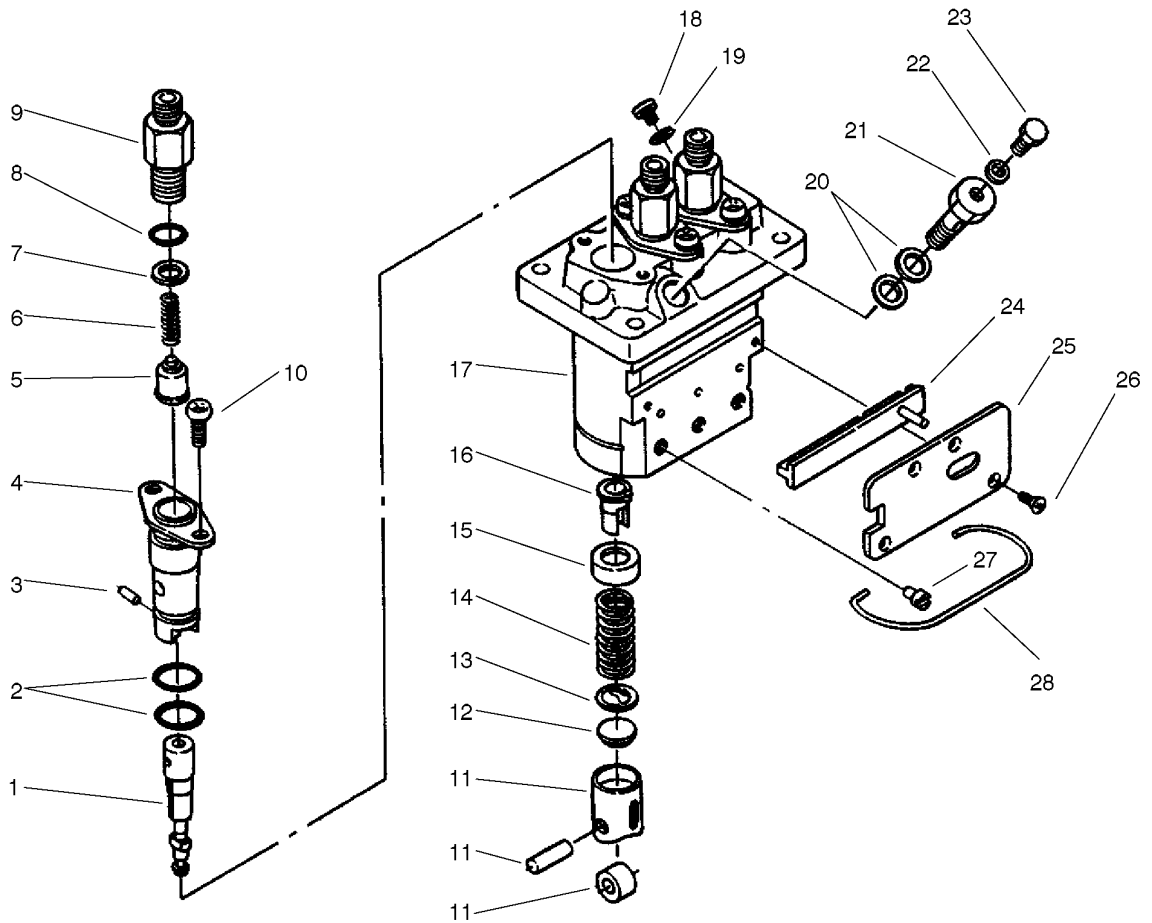
### Stop Solenoid And Fuel Pump Assembly

Ref	Part No.	Qty.	Description
1	98-9636	1	Gasket-Pump, Fuel
2	98-9367	2	Washer-Lock
3	98-7572	2	Nut
4	99-3514	1	Cover
5	98-9683	1	Gasket-Cover, Solenoid
6	98-9693	1	Solenoid-Stop
7	98-9351	2	Bolt



### Injection Pump Assembly

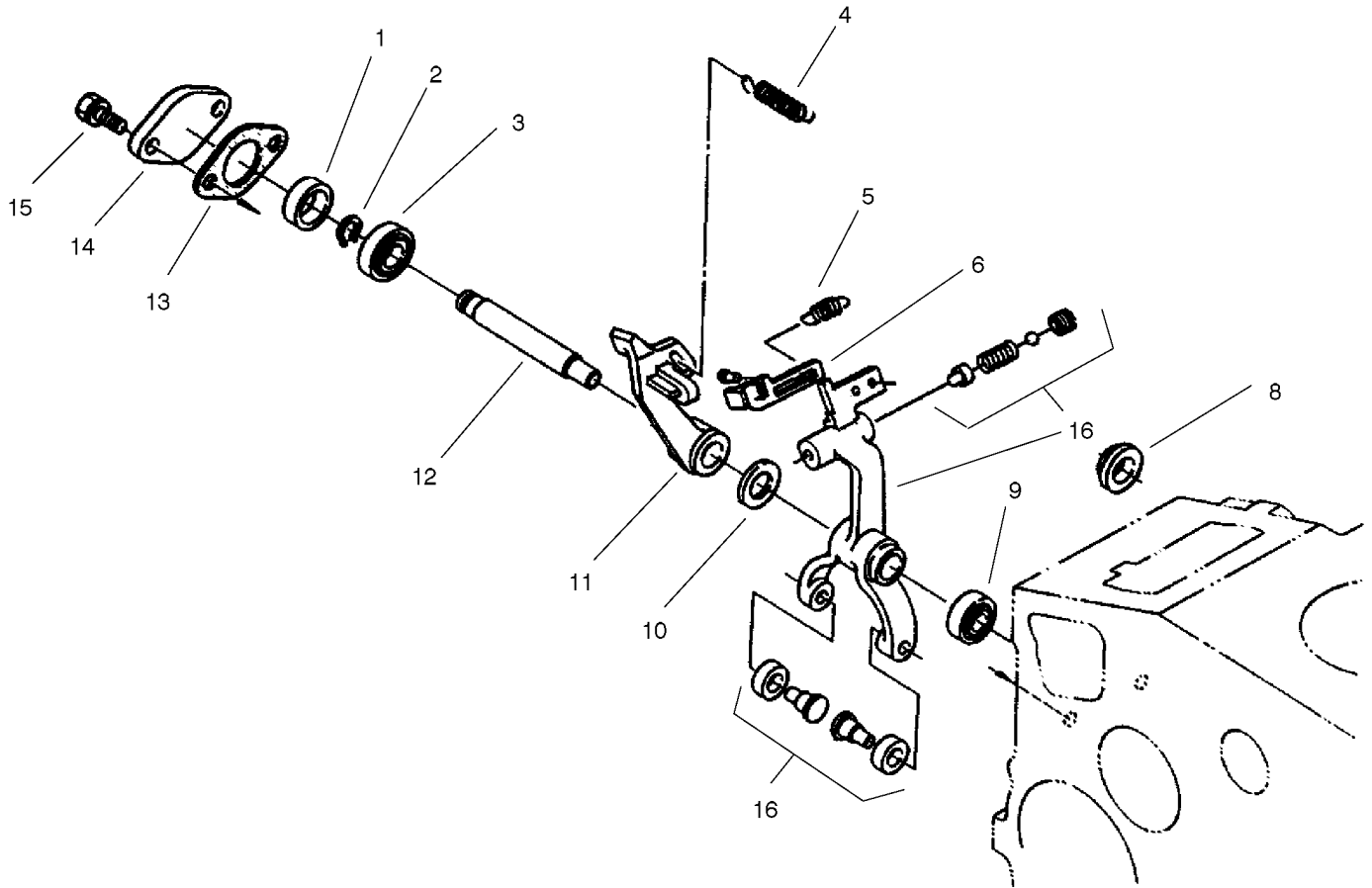
Ref	Part No.	Qty.	Description
3	98-9596	1	Joint-Eye
4	98-9361	2	Bolt
5	98-9367	4	Washer-Lock
6	98-9643	1	Injection Pump ASM
7	98-9456	1	Shim-Injection(0.2Mm)
7	98-9457	1	Shim-Injection(0.25Mm)
8	98-9458	1	Shim-Injection(0.30Mm)
9	98-9438	2	Stud
10	98-9440	2	Nut-Cap



### Injection Pump Assembly (continued)

Ref	Part No.	Qty.	Description
1	98-9462	3	Element-Pump
2	98-9423	6	O-Ring
3	98-9443	3	Pin-Joint
4	98-9434	3	Flange-Sleeve
5	98-9421	3	Valve-Delivery
6	98-9424	3	Spring-Valve, Delivery
7	98-9425	3	Gasket-Valve, Delivery
8	98-9447	3	O-Ring
9	98-9652	3	Holder-Valve, Delivery
10	98-9452	6	Screw
11	98-9422	3	Tappet ASM
12	98-9433	3	Shim
13	98-9429	3	Seat-Spring, Lower
14	98-9428	3	Spring-Plunger
15	98-9427	3	Seat-Spring, Upper
16	98-9432	3	Sleeve-Control
17	98-9643	1	Injection Pump ASM(Incl. Ref. #1-16 &18-28)
18	98-9466	1	Plug
19	98-9451	1	Gasket
20	98-9445	2	Gasket
21	98-9464	1	Bolt-Joint
22	98-9446	1	Gasket
23	98-9430	1	Screw

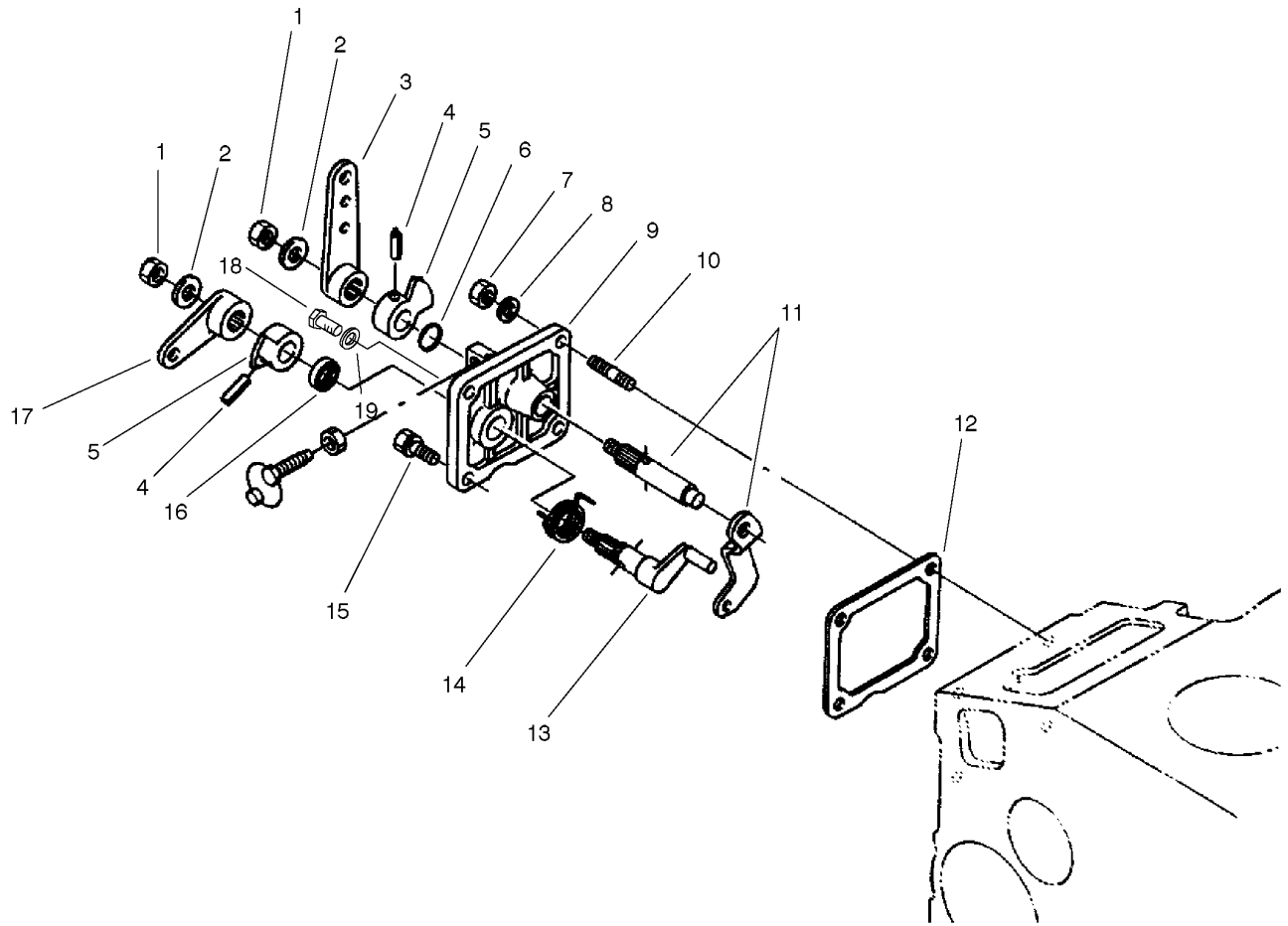
Ref	Part No.	Qty.	Description
24	98-9463	1	Rack-Control
25	98-9465	1	Plate
26	98-9442	4	Screw
27	98-9426	3	Pin-Guide, Tappet
28	98-9450	1	Pin-Clamp



### Governor Assembly

Ref	Part No.	Qty.	Description
1	98-9567	1	Collar
2	98-9369	1	Clip-Circular, External
3	98-9570	1	Bearing-Miniature
4	99-3459	1	Spring-Governor
5	98-9645	1	Spring-Start
④6		1	Lever-Thrust
8	98-9568	1	Collar
9	98-9571	1	Bearing-Miniature
10	98-9593	1	Washer-Flat
11	98-9659	1	Lever-Fork
12	98-9566	1	Shaft-Lever, Fork
13	98-9682	1	Gasket
14	98-9569	1	Cover-Shaft,Fork Lever
15	98-9351	2	Bolt
16		1	Complete Lever & Fork
⑤*	99-3452	1	Lever & Fork ASM(Incl. Ref. #2, 3, 6,10-12 & 16)

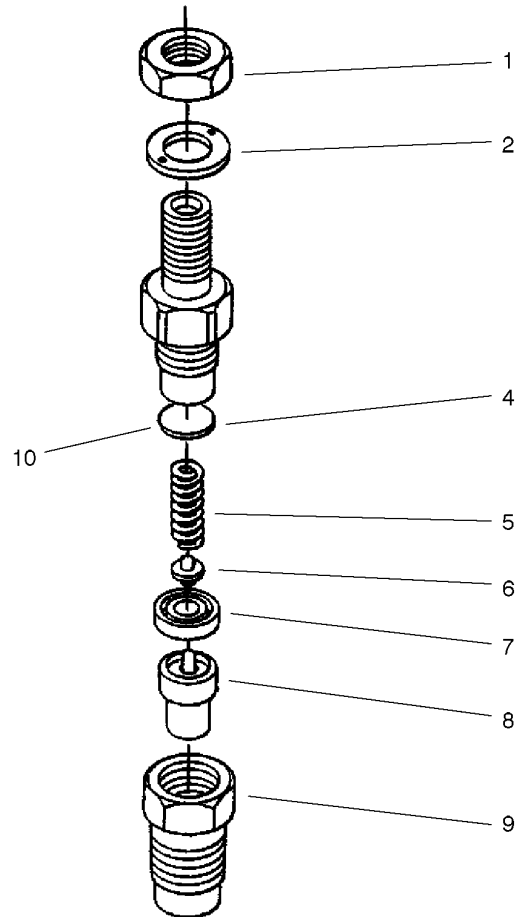
--	--	--	--



## Speed Control Plate Assembly

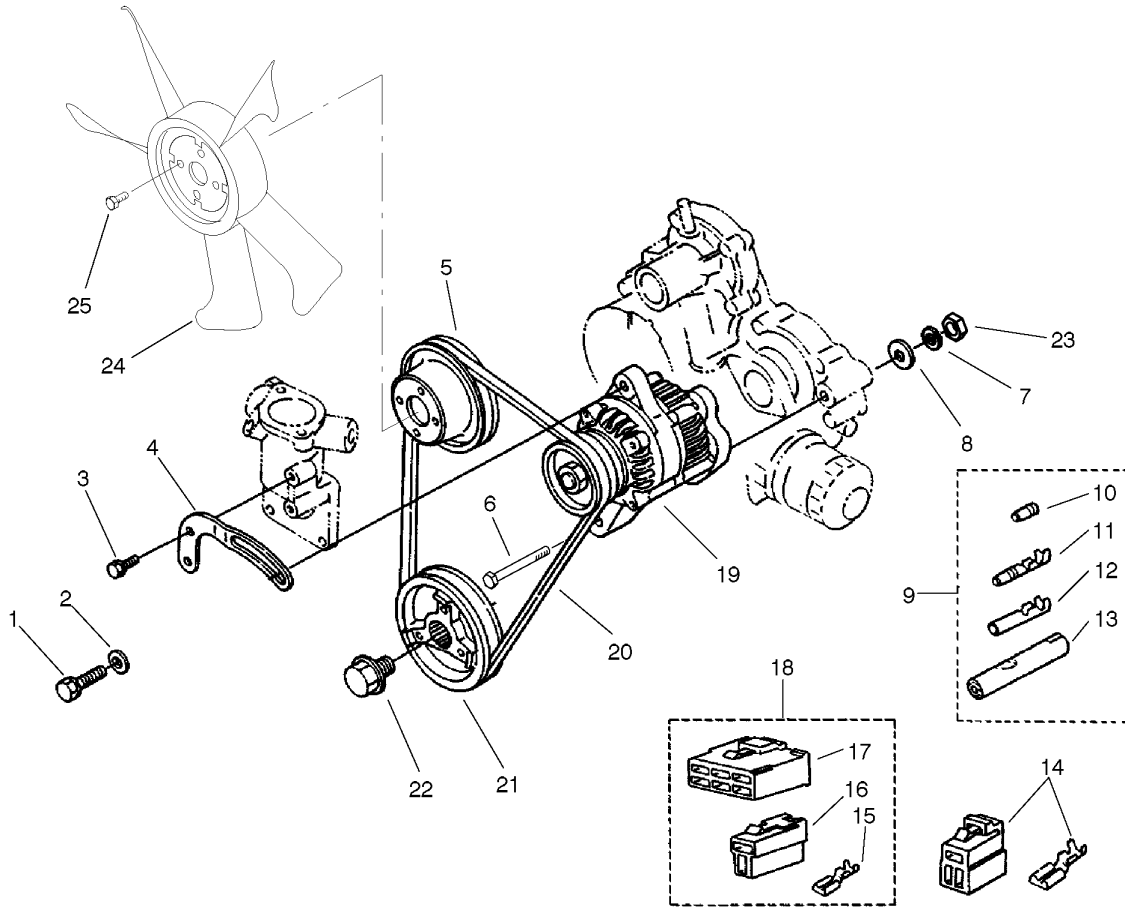
Ref	Part No.	Qty.	Description
1	98-9589	2	Nut
2	98-9594	2	Washer-Flat
3	98-9662	1	Lever-Control, Speed
4	98-7602	2	Pin-Spring
5	98-9572	2	Lever-Control, Speed
6	98-9371	1	O-Ring
7	98-7572	2	Nut
8	98-9367	2	Washer-Lock
9	98-9661	1	Control Plate ASM(Incl. Ref. #1-6, 11, 13,14, 16 &17)
10	98-9362	2	Stud
11	98-9658	1	Governor Lever ASM
12	98-9637	1	Gasket
13	98-9664	1	Shaft-Lever, Stop
14	98-9472	1	Spring-Return
15	98-7692	1	Bolt
16	98-7601	1	Seal-Oil
17	98-9663	1	Lever-Stop, Engine
18	99-8348	1	Bolt
19	98-7654	1	Gasket



### Nozzle Holder Assembly

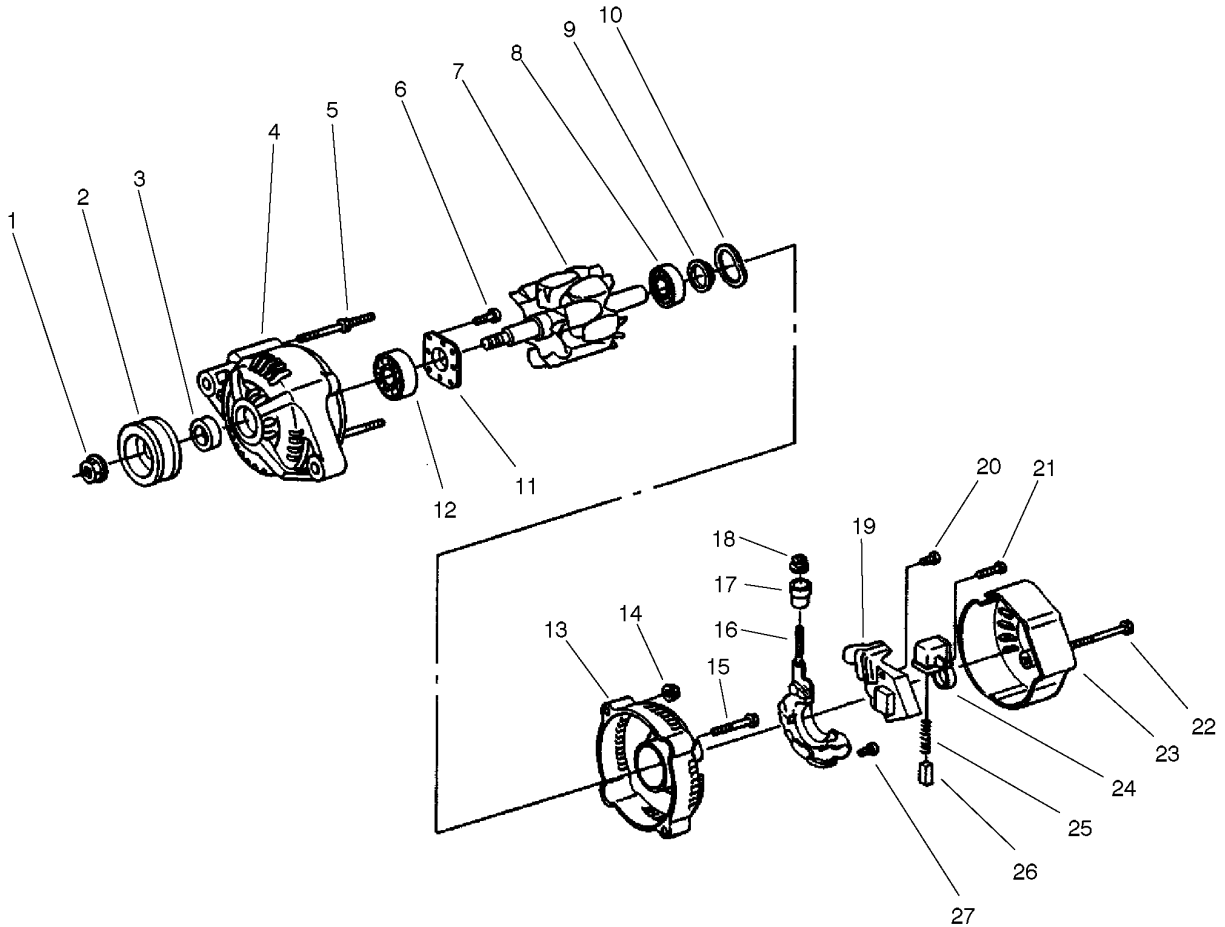
Ref	Part No.	Qty.	Description
1	99-8301	3	Nut
2	99-8307	3	Washer
4	99-8302	3	Washer-Adjusting
5	99-8303	3	Spring-Nozzle
6	99-8305	3	Rod-Push
7	99-8304	3	Piece-Distance
8	99-8308	3	Piece-Nozzle
9	99-8306	3	Nut-Nozzle
10	99-8309	3	Adjusting Washer ASM
⑤*	99-8310	3	Washer-Adj. (0.10Mm)
⑤*	99-8311	3	Washer-Adj. (0.20Mm)
10	99-8312	3	Washer-Adj. (0.30Mm)
⑤*	99-8313	3	Washer-Adj. (0.40Mm)
⑤*	99-8314	3	Washer-Adj. (0.50Mm)
⑤*	99-8315	3	Washer-Adj. (0.52Mm)
⑤*	99-8316	3	Washer-Adj. (0.54Mm)
⑤*	99-8317	3	Washer-Adj. (0.56Mm)
⑤*	99-8318	3	Washer-Adj. (0.58Mm)
⑤*	99-8319	3	Washer-Adj. (0.80Mm)
⑤*	98-9468	3	Nozzle Holder ASM(Incl. Ref. #1-9)



## Alternator And Pulley Assembly

Ref	Part No.	Qty.	Description
1	98-7697	1	Bolt
2	98-7698	1	Washer-Flat
3	98-7692	1	Bolt
4	98-9573	1	Stay-Dynamo
5	99-3453	1	Pulley-Fan
6	98-9360	1	Bolt
7	98-9368	1	Washer-Lock
8	98-9366	1	Washer-Flat
9	98-9700	1	Terminal ASM (Incl. Ref. #10-13)
10	98-9701	1	Terminal
11	98-9702	1	Sleeve
12	98-9703	1	Terminal
13	98-9704	1	Sleeve
14	98-9602	1	Lock Coupler ASM
15	98-9699	7	Terminal
16	98-9698	1	Connector
17	98-9697	1	Connector
18	98-9696	1	Coupler ASM(Incl. Ref. #15-17)
19	98-9474	1	Alternator ASM
20	99-3467	1	V-Belt
21	99-3456	1	Pulley-Drive, Fan
22	98-9585	1	Bolt
23	98-7737	1	Nut
24	99-3461	1	Fan

Ref	Part No.	Qty.	Description
25	33103-012	4	Screw-HHF

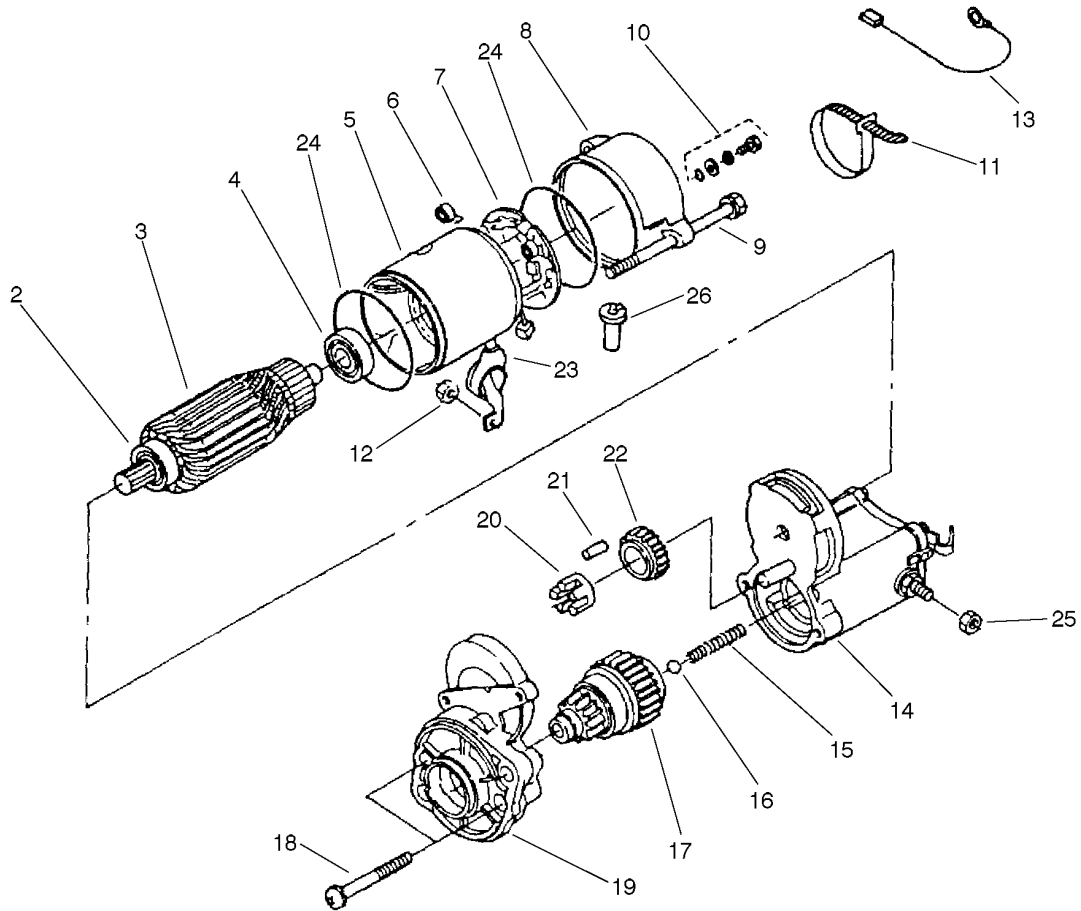


## Alternator Assembly

Ref	Part No.	Qty.	Description
1	98-7708	1	Nut
2	98-9453	1	Pulley-Dynamo
3	98-7709	1	Collar
4	98-7714	1	Frame-End, Drive
5	98-7717	2	Bolt-Through
6	98-7716	4	Screw-RH
7	98-7710	1	Rotor
8	98-7712	1	Bearing-Ball
9	98-7711	1	Cover-Bearing
10	98-7713	1	Washer-Thrust
11	98-7715	1	Plate-Retainer
12	98-7718	1	Bearing-Ball
13	98-7719	1	Frame-End
14	98-7730	2	Nut
15	98-7731	2	Bolt
16	98-7721	1	Rectifier ASM
17	98-7722	1	Bushing-Insulation
18	98-7732	1	Nut
19	98-7733	1	Regulator ASM
20	98-7726	2	Screw-RH
21	98-7728	1	Screw-RH
22	98-7729	3	Bolt
23	98-7720	1	Cover-End
24	98-7723	1	Holder-Brush

Ref	Part No.	Qty.	Description
25	98-7725	2	Spring-Brush
26	98-7724	2	Brush
27	98-7727	6	Screw-RH
⊕*	98-9474	1	Alternator ASM(Incl. Ref. #1-27)

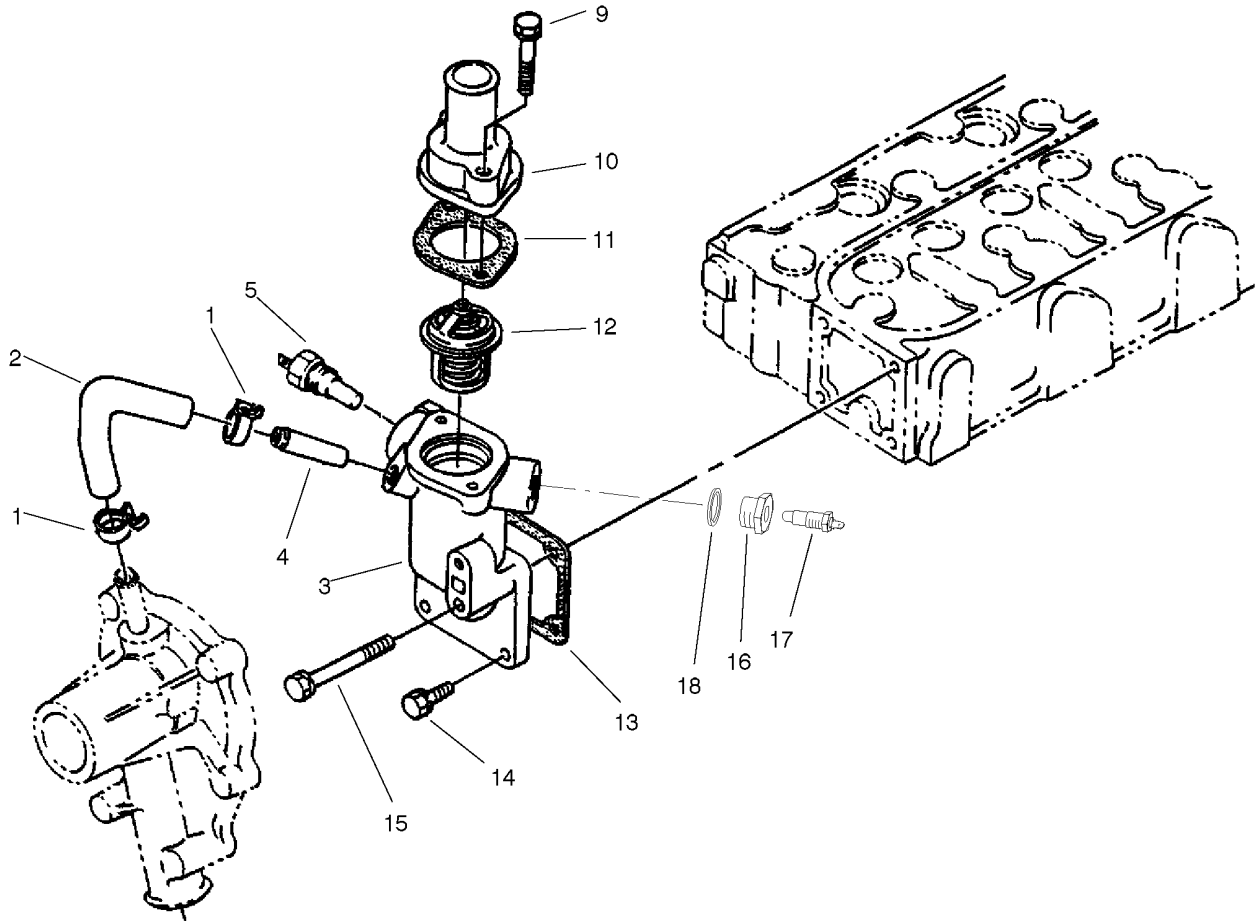




## Starter Assembly

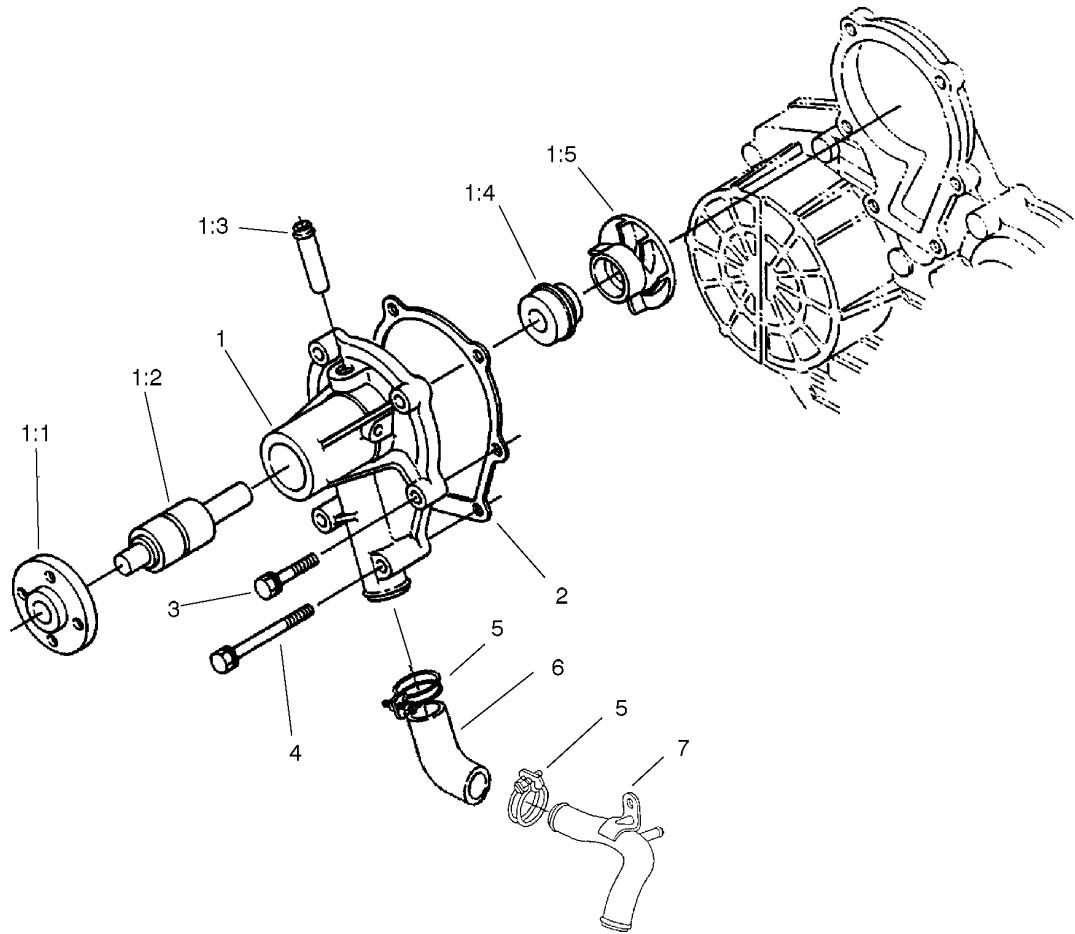
Ref	Part No.	Qty.	Description
2	98-7743	1	Bearing-Ball
3	98-7742	1	Armature ASM(Incl. Ref. #2 & 4)
4	98-7744	1	Bearing-Ball
5	98-7741	1	Yoke ASM
6	98-7750	4	Spring-Brush
7	98-7749	1	Brush Holder ASM(Incl. Ref. #6)
8	98-9550	1	Frame-End
9	98-9419	2	Bolt
10	98-7758	2	Bolt ASM
11	98-9712	1	Band-Cover
12	98-9626	1	Nut-Hex
13	98-9711	1	Cord-Stop, Solenoid
14	98-9709	1	Magnetic Switch ASM
15	98-7754	1	Spring
16	98-7755	1	Ball
17	98-9621	1	Clutch
18	98-7756	2	Bolt
19	98-9623	1	Frame-End, Drive
20	98-7752	1	Retainer
21	98-7753	5	Roller
22	98-7751	1	Gear
23	98-9625	1	Cover-Cord
24	98-7757	2	O-Ring
25	98-9707	1	Nut

Ref	Part No.	Qty.	Description
26	98-7759	1	Pipe-Drain
⑤*	98-9705	1	Starter ASM(Incl. Ref. #2-26)



## Water Flange And Thermostat Assembly

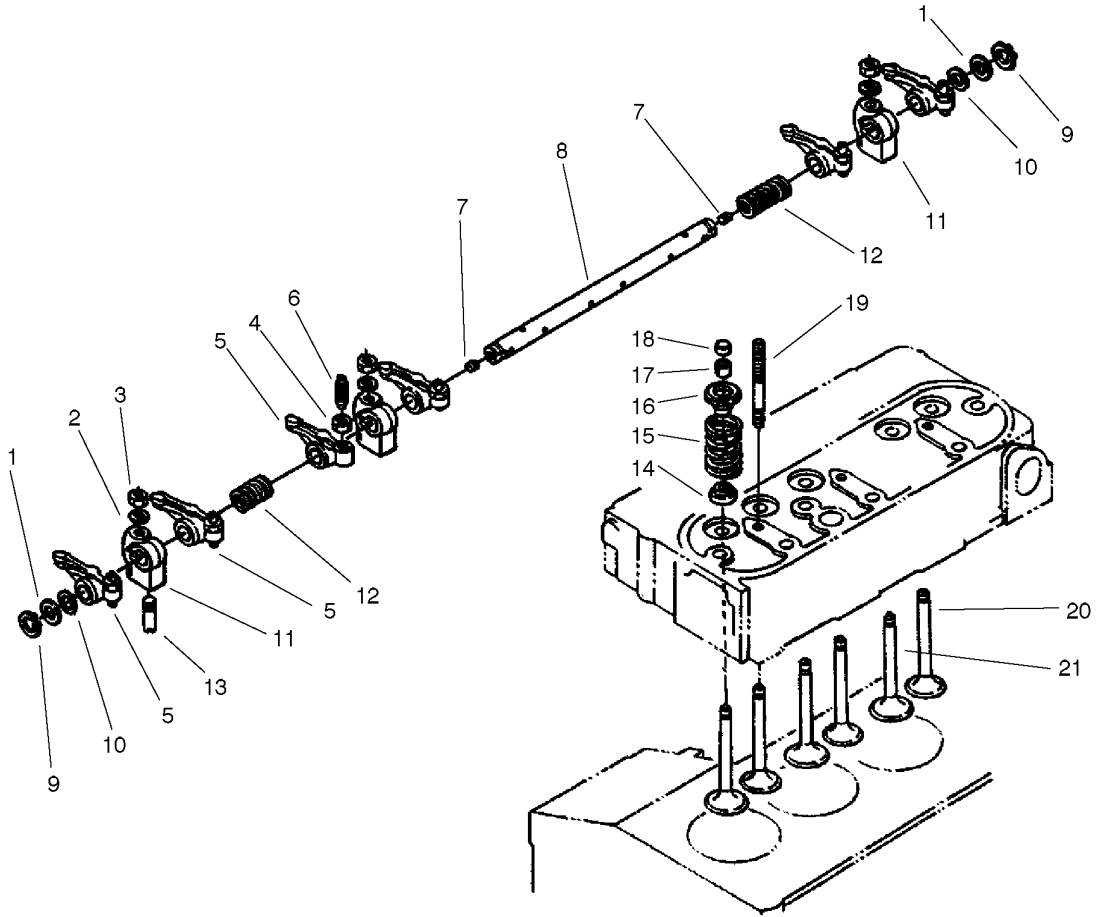
Ref	Part No.	Qty.	Description
1	98-9579	2	Band-Pipe
2	98-9578	1	Pipe-Return, Water
3	98-9713	1	Water Flange ASM(Incl. Ref. #4)
4	98-9580	1	Pipe-Return, Water
5	98-9719	1	Thermostat (105Øc)
9	98-7777	2	Bolt
10	98-9471	1	Cover-Thermostat
11	98-7776	1	Gasket
12	98-7778	1	Thermostat ASM
13	98-9638	1	Gasket-Flange, Water
14	98-7692	3	Bolt
15	98-9356	1	Bolt
16	99-3581	1	Adapter
17	99-3582	1	Thermostat (110Øc)
18	99-3583	1	Packing

### Water Pump Assembly

Ref	Part No.	Qty.	Description
1	98-9575	1	Water Pump ASM
1:1	98-9582	1	Flange-Pump, Water
1:2	98-9583	1	Bearing
1:3	98-9577	1	Pipe-Return, Water
1:4	98-9576	1	Mechanical Seal ASM
1:5	98-9581	1	Impeller-Pump, Water
2	98-9632	1	Gasket, Water Pump
3	98-9353	1	Bolt
4	98-9357	4	Bolt
5	98-9717	2	Clamp
6	98-9574	1	Pipe-Water
7	99-8379	1	Pipe-Water

--	--	--	--



## Valve And Rocker Arm Assembly

Ref	Part No.	Qty.	Description
1	98-9508	2	Washer-Shaft,Rocker Arm
2	98-9385	3	Washer-Flat
3	98-9393	3	Nut
4	98-9503	6	Nut
5	98-9501	6	Rocker Arm ASM(Incl. Ref. #4 & 6)
6	98-9502	6	Screw-Adjusting
7	98-9365	2	Screw-Set
8	98-9612	1	Rocker Arm Shaft ASM(Incl. Ref. #7)
9	98-9370	2	Clip-Circular, External
10	98-9507	2	Washer-Shaft, Rockerarm
11	98-9505	3	Bracket-Arm, Rocker
12	98-9504	2	Spring-Arm, Rocker
13	98-9391	1	Screw-Set
14	98-9496	6	Seal-Stem, Valve
15	98-9648	6	Spring-Valve
16	98-9498	6	Retainer-Spring, Valve
17	98-9390	6	Collet-Set,Valve Spring
18	98-9497	6	Cap-Valve
19	98-9506	3	Stud
20	98-9495	3	Valve-Exhaust
21	98-9494	3	Valve-Inlet




## NOTES

