



Insight[®] Platinum Lawn Mower

Model No. 10796 - 280000001 and up.

Parts Catalog

Ordering Replacement Parts

To order replacement parts, please supply the part number, the quantity, and the description of each part desired.

Understanding Reference Numbers

Each identified part in an illustration has a reference number. The reference number for a part also appears in the parts list, along with other information about the part.

This catalog uses two special reference number formats, one to indicate parts in a service assembly and another to indicate the quantity of a given part in an illustration.

Service Assembly Reference Numbers

Parts in service assemblies have reference numbers in the form a:b. The a represents the reference number of the entire service assembly and the b represents a sequential number unique to each part within the service assembly.

For example, a wheel assembly might be identified by reference number 6, the tire by 6:1, the valve by 6:2, and the wheel by 6:3. When you order the assembly identified by reference number 6, you receive all parts identified by reference numbers 6:1, 6:2, and 6:3. However, you may also order any part individually. Reference numbers of this type appear in illustrations and in part lists.

Reference Numbers Indicating Quantity

In an illustration, if a reference number indicates more than one part, the reference number has the form nX y. The n represents the quantity of the part, the X is the multiplication symbol, and the y represents the reference number.

For example, in an illustration, the reference number 2X 37 means that two of the parts identified by reference number 37 are indicated.

Contents

Description	Page	Description	Page
Front End and Tunnel Assembly 3	Recoil Starter Assembly Honda GCV160A RTL1 16
Housing Assembly No. 110-9419 4	Fan Cover Assembly Honda GCV160A RTL1 17
Rear Axle and Transmission Assembly 5	Carburetor Assembly Honda GCV160A RTL1 18
Upper Handle Assembly 6	Air Cleaner Assembly Honda GCV160A RTL1 19
Lower Handle Assembly 7	Muffler Assembly Honda GCV160A RTL1 20
Blade and Engine Assembly 8	Flywheel Assembly Honda GCV160A RTL1 21
Electrical Start Assembly 9	Starter Motor Assembly Honda GCV160A RTL1 22
Rear Bag Assembly 10	Control Assembly Honda GCV160A RTL1 23
Cylinder Barrel Assembly Honda GCV160A RTL1 11	Choke Base Assembly Honda GCV160A RTL1 24
Oil Pan Assembly Honda GCV160A RTL1 12	Top Cover Assembly Honda GCV160A RTL1 25
Crankshaft Assembly Honda GCV160A RTL1 13	Label Assembly Honda GCV160A RTL1 26
Piston and Connecting Rod Assembly Honda GCV160A RTL1 14	Attachments and Accessories List 27
Camshaft Pulley Assembly Honda GCV160A RTL1 15		

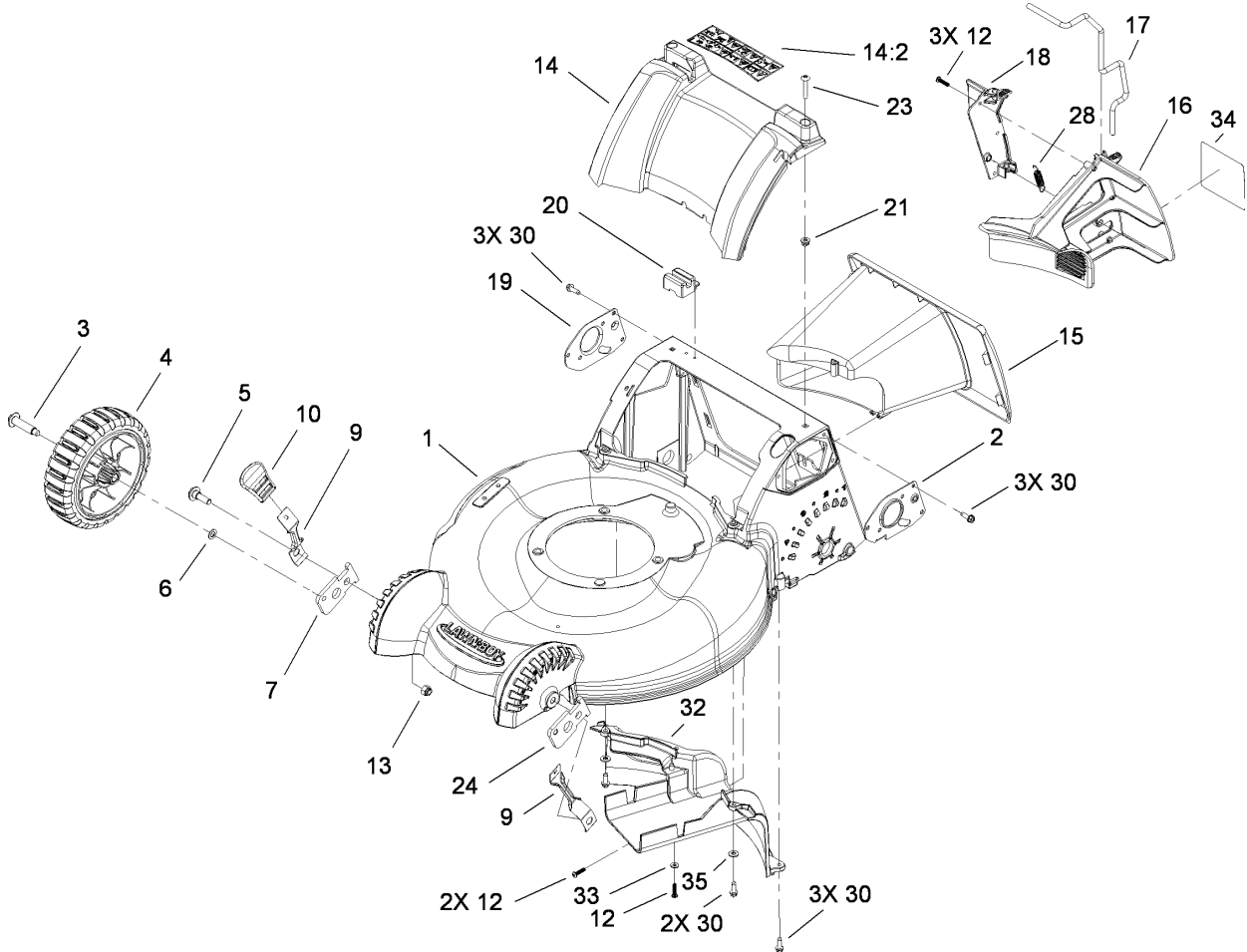
Part Description Abbreviations

Part descriptions in this catalog may include the following abbreviations.

AR. as required	HYD. hydraulic
ASM. assembly	LH. left hand
BBC. blade brake clutch	NI. nylon insert
CARR. carriage	NPTF. national pipe thread fine
DEG. degrees	PFH. phillips flat head
EXT. external	PPH. phillips pan head
FH. flat head	PPHTF. phillips pan head thread forming
GA. gauge	PRH. phillips round head
HD. heavy-duty	PTH. phillips truss head
HF. hex flange	PTO. power-take-off
HH. hex head	RH. right hand
HHF. hex head flange	ROPS. roll-over protection system
HHFTF. hex head flange thread forming	SFH. slotted fillister head
HJ. hex jam	SHH. slotted hex head
HLH. hex lag head	SHWH. slotted hex washer head
HOC. height-of-cut	SPH. slotted pan head
HSBH. hex socket button head	SQH. square head
HSFH. hex socket flat head	SRH. slotted round head
HSH. hex socket head	STD. standard
HWH. hex washer head	TAP. self tapping
HWHTF. hex washer head thread forming	TTH. torx truss head

Footnotes

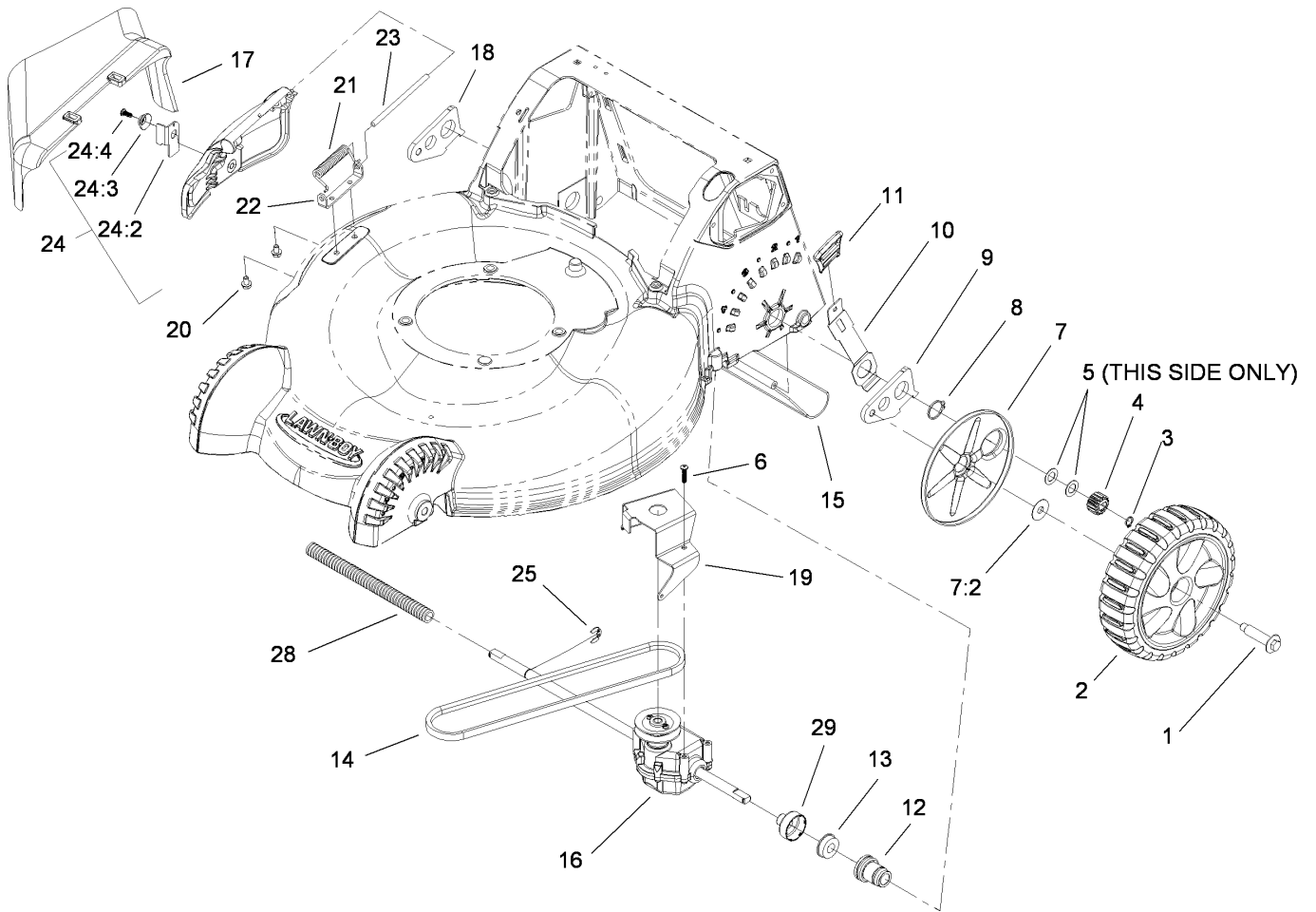
- ❶ Not illustrated
- ❷ Obtain from your local Honda dealer
- ❸ Not serviced separately



Front End and Tunnel Assembly

Ref	Part No.	Qty.	Description
1	110-9419	1	Housing ASM
2	110-9415-03	1	Mount-Handle, LH
3	614650	2	Bolt-Shoulder
4	107-3898	2	8 Inch Wheel ASM
5	614672	2	Bolt-Shoulder
6	40-1940	2	Washer
7	110-9421	1	Arm-Pivot, RH
9	110-9434	2	Arm-Spring, Front
10	110-0549	2	Knob-HOC
12	108-7476	6	Screw-Plastite
13	3296-39	2	Nut-Lock, NI
14	115-3177	1	Cover-Rear
14:2	114-2820	1	Decal-Safety
15	110-9456	1	Tunnel
16	110-9446	1	Plug-Mulch, LH
17	110-9448	1	Latch-Mulch Plug
18	110-9447	1	Plug-Mulch, RH
19	110-9416-03	1	Mount-Handle, RH
20	110-1787	1	Module-Switch
21	94-1610	2	Nut-Clip
23	108-0965	2	Screw-PTH
24	110-9420	1	Arm-Pivot, LH
28	110-9458	1	Spring-Extension
30	49-2040	11	Screw-HWHTF

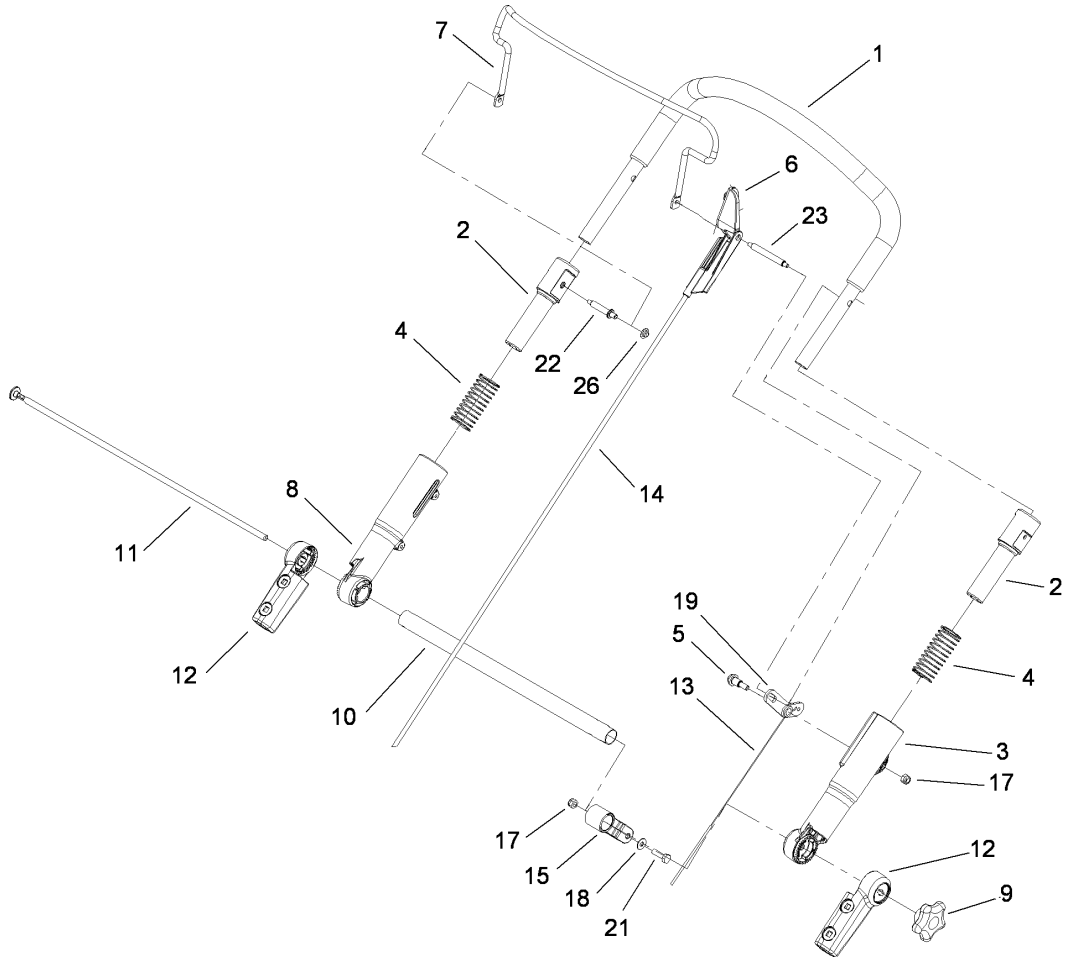
Ref	Part No.	Qty.	Description
31	110-9468	1	Mulch Plug ASM
32	110-9413	1	Baffle-Rear
33	3256-14	1	Washer-Flat
34	110-9457	1	Decal-Mulch Plug
35	3256-22	2	Washer-Flat



Rear Axle and Transmission Assembly

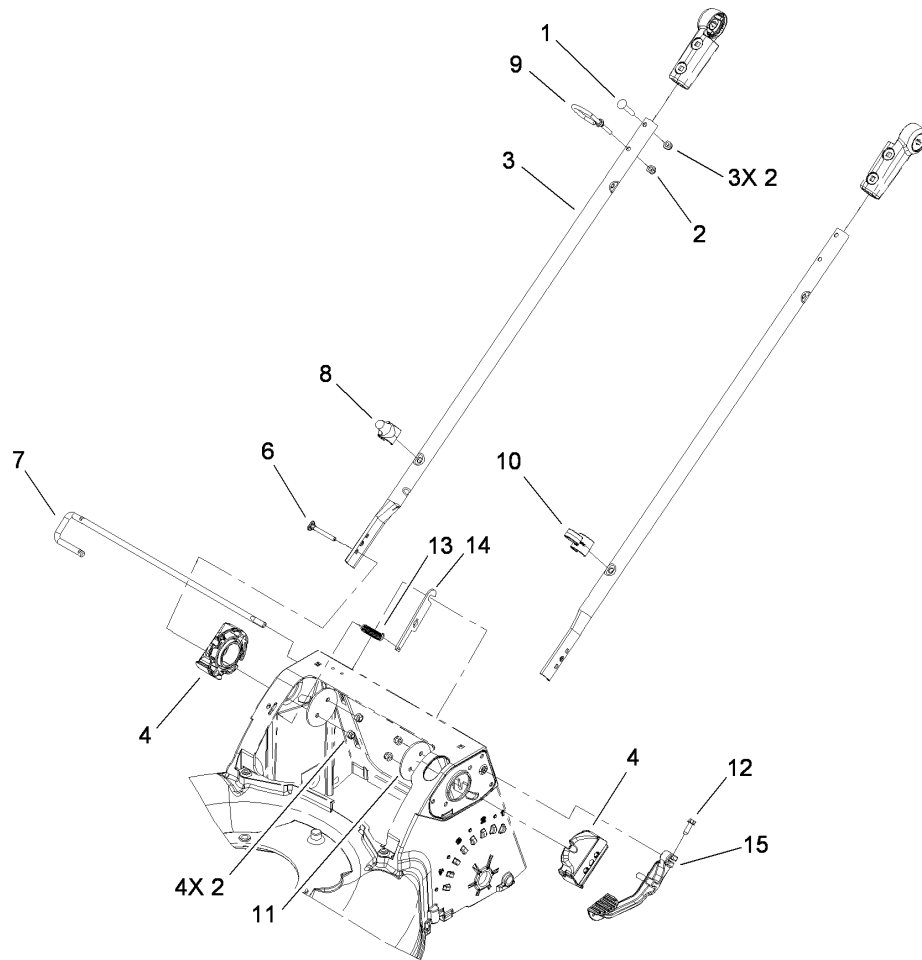
Ref	Part No.	Qty.	Description
1	614650	2	Bolt-Shoulder
2	107-3906	2	Rear Wheel ASM
3	32151-61	2	Ring-Retaining
4	110-9417	2	Pinion
5	36-4780	2	Washer-Plain
6	108-7476	3	Screw-Plastite
7	110-1793	2	Wheel Cover ASM
7:2	614426	1	Washer-Stepped
8	32151-36	2	Ring-Retaining
9	108-9344	1	Arm-Rear Pivot, LH
10	110-9445	2	Arm-Spring, Rear
11	110-0549	2	Knob-HOC
12	110-9422	2	Retainer-Bearing
13	104-8699	2	Bearing-Ball
14	110-9429	1	V-Belt
15	112-8768	1	Shield-Trailing
16	114-2812	1	Transmission ASM
17	105-3028	1	Chute-Discharge, Side
18	108-9343	1	Arm-Rear Pivot, RH
19	114-7977-03	1	Bracket-Transmission
20	99-8445	2	Screw-HWH
21	99-5293	1	Spring-Torsion
22	112-6416	1	Bracket-Cover
23	99-5291	1	Rod-Cover

Ref	Part No.	Qty.	Description
24	106-8376	1	Discharge Door ASM
24:2	107-0795	1	Latch-Door
24:3	107-7456	1	Cap-Door
24:4	107-7461	1	Screw-Plastite
25	65-2720	1	Ring-Clip, Locking
28	24-7922	1	Cover-Shaft, Drive
29	114-2755	2	Cap-Bearing



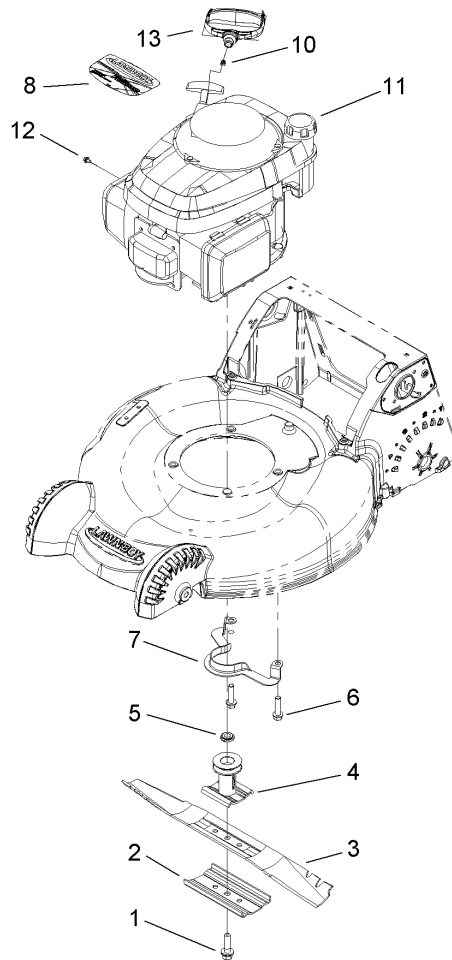
Upper Handle Assembly

Ref	Part No.	Qty.	Description
1	108-0974	1	Upper Handle ASM
2	112-8754	2	Sleeve-Inner
3	112-1544	1	Sleeve-Outer, LH
4	107-3869	2	Spring-Compression
5	104-0858	1	Bolt-Shoulder
6	112-8764	1	Stop-Pivot
7	110-1819-03	1	Bail-Brake
8	112-1545	1	Sleeve-Outer, RH
9	107-3937	1	Knob
10	107-3867-03	1	Tube-Cross
11	107-3871	1	Rod-Threaded
12	107-3865	2	Mount-Handle, Lower
13	110-9465	1	Cable-Traction
14	107-3903	1	Cable-Brake
15	112-8801	1	Clamp-Cable
17	3296-73	2	Nut-Lock, NI
18	3256-1	1	Washer-Flat
19	107-3893	1	Lever-Traction
21	321-5	1	Screw-HH
22	108-0959	1	Pin-Handle
23	108-1008	1	Pin-Bail, LH
26	108-9378	1	Retainer-Push On



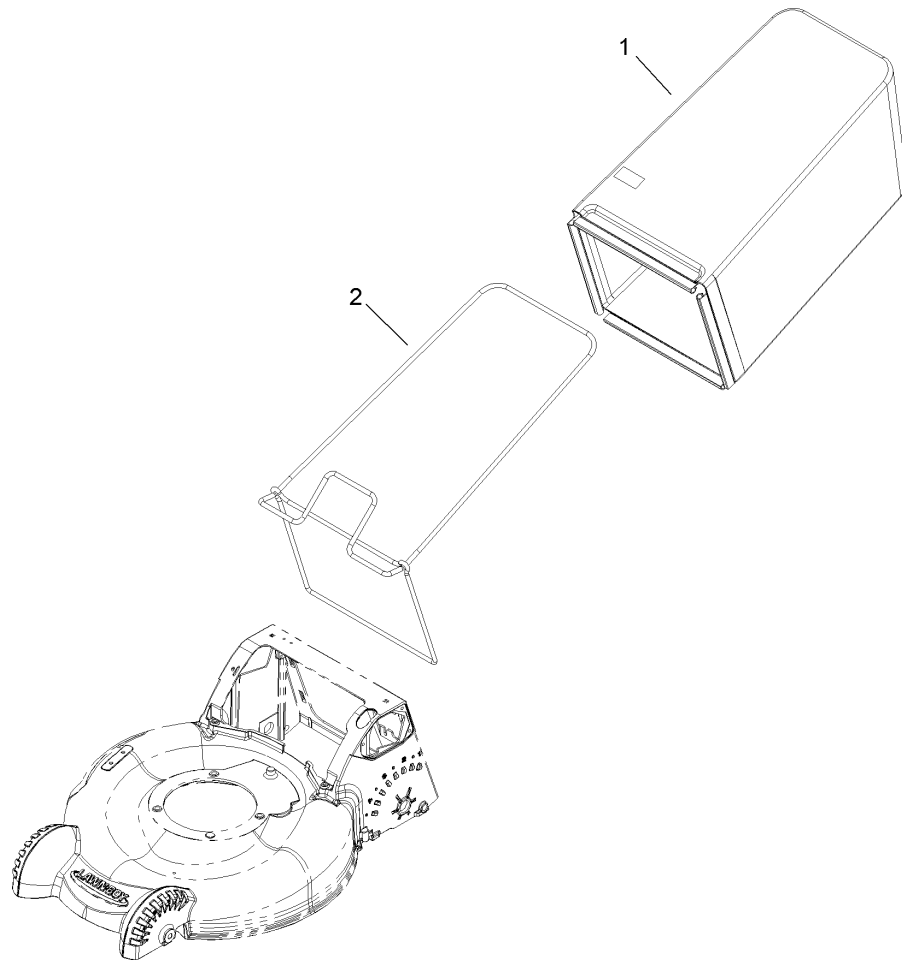
Lower Handle Assembly

Ref	Part No.	Qty.	Description
1	108-0988	3	Screw-CARR
2	3296-73	8	Nut-Lock, NI
3	107-3887-03	2	Tube-Lower
4	114-2791	2	Handle-Mount, Lower
6	95-4453	4	Screw
7	112-8755	1	Rod-Handle Release
8	108-0994	1	Guide-Rope, Lower
9	107-3908	1	Guide-Rope, Upper
10	106-6805	1	Guide-Cable
11	107-3944-03	2	Plate
12	49-2040	1	Screw-HWHTF
13	112-1542	1	Spring-Extension
14	112-1539	1	Plate-Release Rod
15	110-1823-03	1	Lever-Release



Blade and Engine Assembly

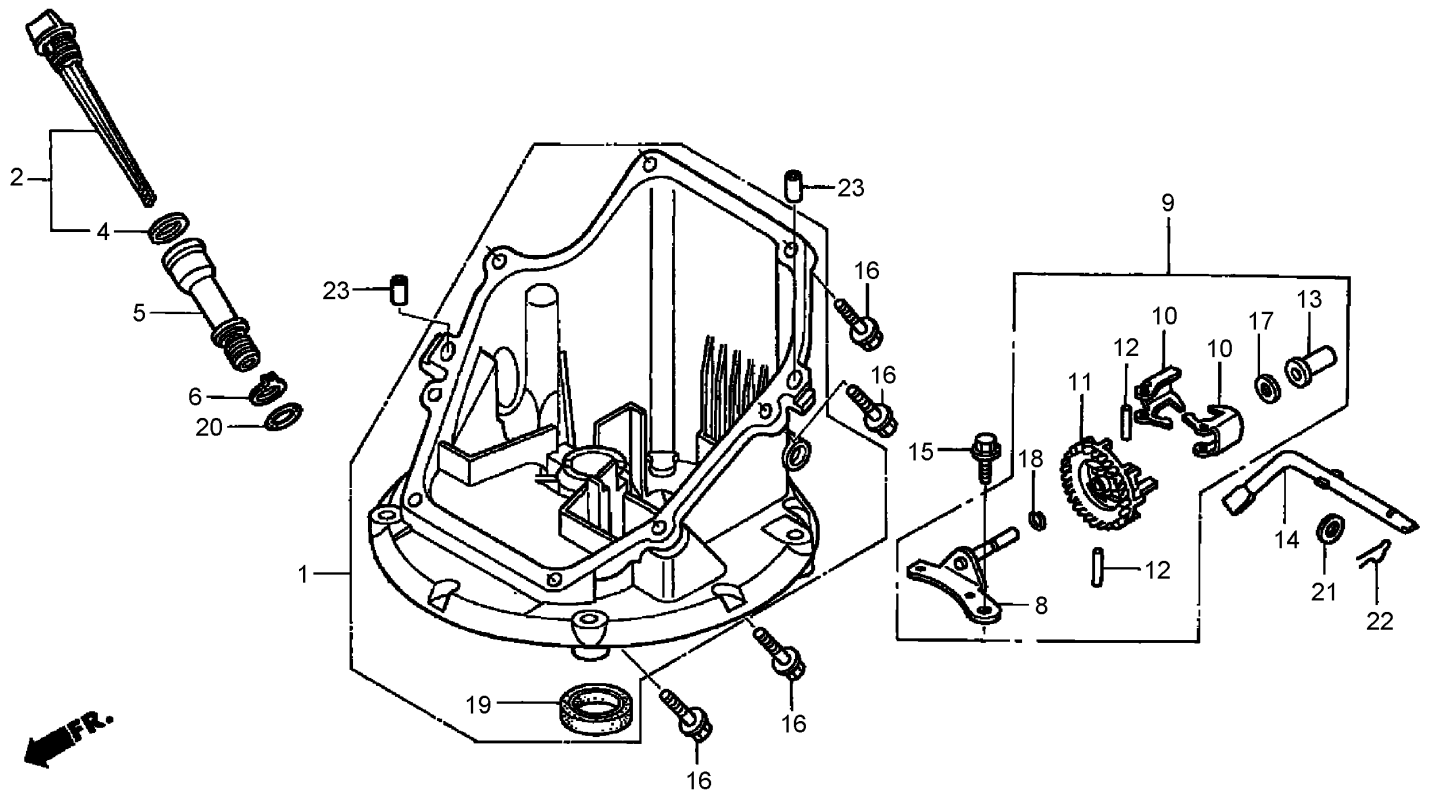
Ref	Part No.	Qty.	Description				
1	105-8579	1	Bolt-Blade				
2	108-3766-03	1	Support-Blade				
3	108-0954-03	1	Blade-21 Inch				
4	106-3987	1	Blade Driver ASM				
5	106-3999	1	Spacer-Driver				
6	32144-102	3	Screw-HWH				
7	108-8110-03	1	Guide-Belt				
8	110-9487	1	Decal-Engine				
10	92-1701	1	Stop-Rope				
11		1	Engine-Honda, Gvc160A Rtl1				
12	98-1394	1	Screw-HWH				
13	110-1778	1	Handle-Recoil				



Rear Bag Assembly

Ref	Part No.	Qty.	Description
1	110-9483	1	Grass Bag ASM
2	112-8750-03	1	Frame-Bag

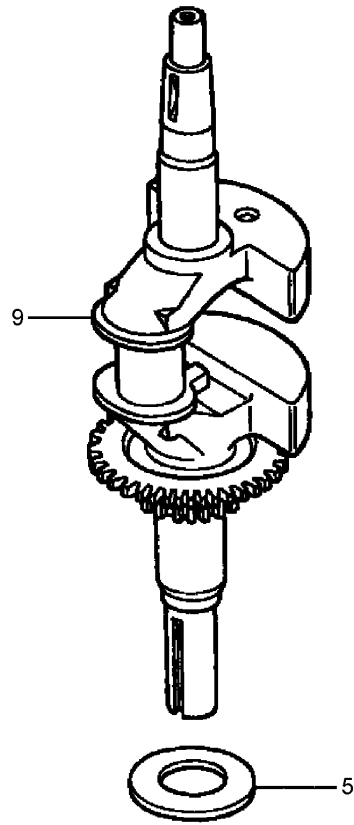
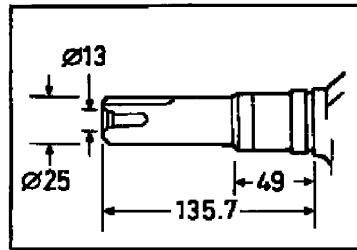
--	--	--	--



Oil Pan Assembly Honda GCV160A RTL1

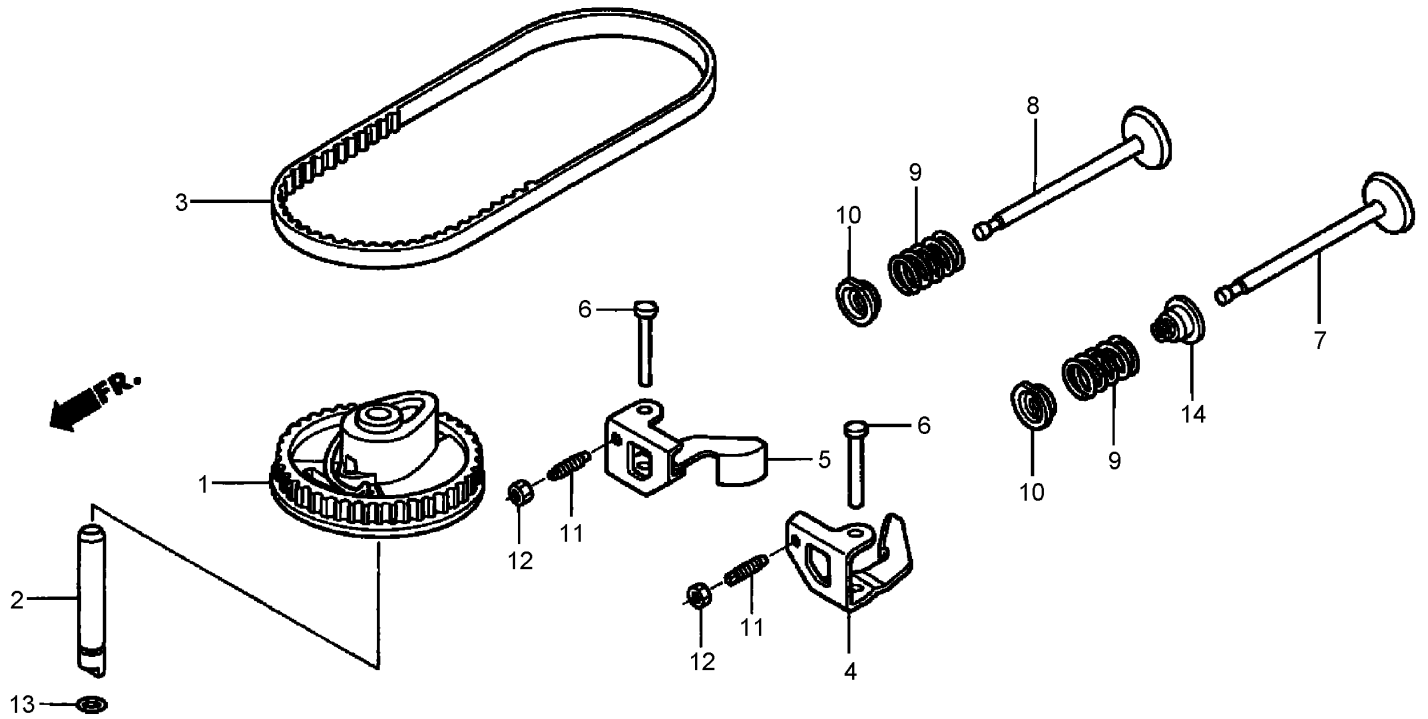
Ref	Part No.	Qty.	Description
1	11300-ZM0-405	1	Oil Pan ASM (000)
2	15650-Z0L-820	1	Oil Level Gauge ASM
4	15625-ZE6-000	1	Gasket-Cap, Oil Filler
5	15631-Z0L-820	1	Extension-Filler, Oil
6	15639-ZM0-000	1	Washer-Lock, Extension
8	16508-ZM0-010	1	Shaft-Holder, Governor
9	16510-ZM0-010	1	Governor ASM
10	16511-ZL8-000	2	Weight-Governor
11	16512-ZM0-000	1	Holder-Weight, Governor
12	16513-ZE1-000	2	Pin-Weight, Governor
13	16531-ZE1-000	1	Slider-Governor
14	16541-ZM0-000	1	Shaft-Arm, Governor
15	90014-952-000	1	Bolt-Flange (6X14) (C T200)

Ref	Part No.	Qty.	Description
16	90121-952-000	8	Bolt-Flange (6X25) (C T 200)
17	90451-ZE1-000	1	Washer-Thrust (6Mm)
18	90602-ZE1-000	1	Clip-Holder, Governor
19	91202-ZL8-003	1	Seal-Oil (28X41.25X6)
20	91303-KF0-003	1	O-Ring (14.8X2.4) (Arai)
20	91356-MA6-005	1	O-Ring (14.8X24) (N O K)
21	94101-06800	1	Washer-Plain (6Mm)
22	94251-08000	1	Pin-Lock (8Mm)
23	94301-08200	2	Pin-Dowel (8X20)



Crankshaft Assembly Honda GCV160A RTL1

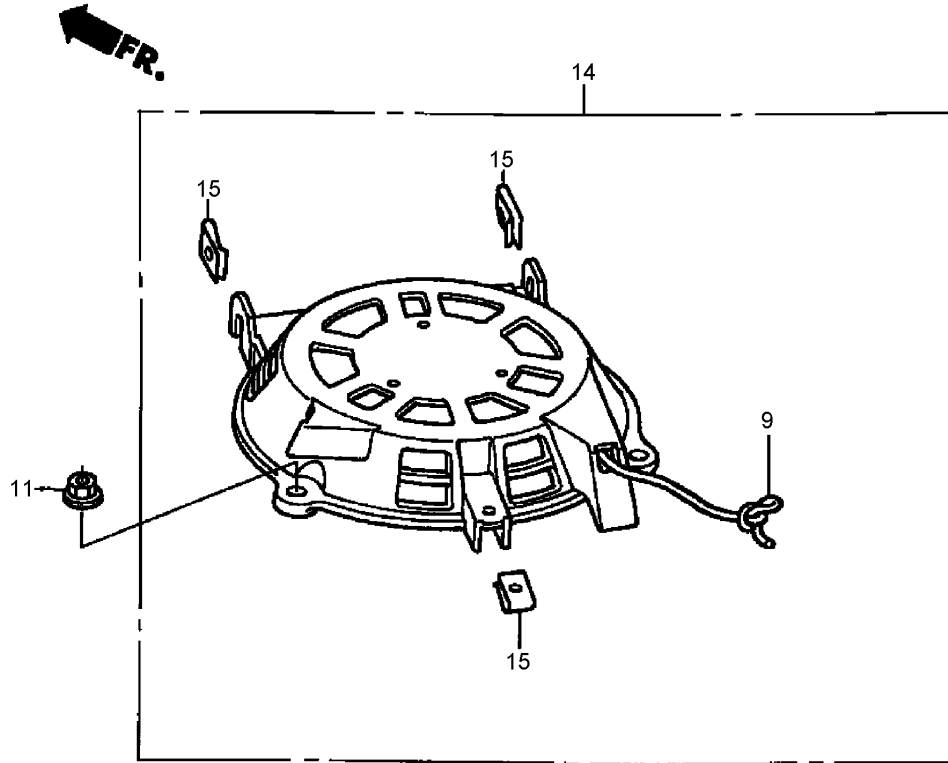
Ref	Part No.	Qty.	Description
5	90402-ZL8-000	1	Washer-Thrust
9	13310-Z0L-V70	1	Crankshaft



Camshaft Pulley Assembly Honda GCV160A RTL1

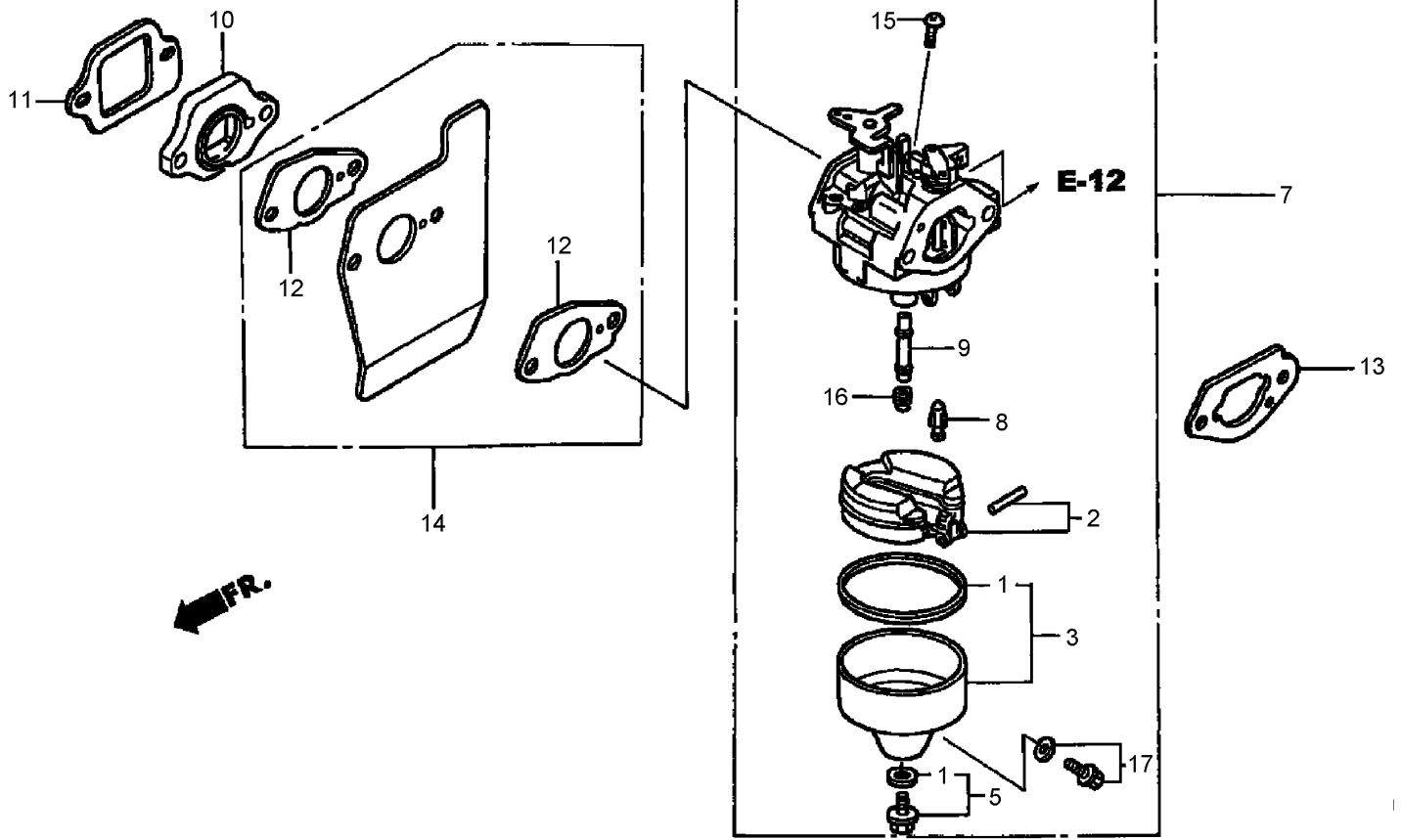
Ref	Part No.	Qty.	Description
❶	14320-ZL8-010	1	Pulley-Camshaft
❷	14324-ZL8-000	1	Shaft-Pulley, Cam
❸	14400-Z0J-014	1	Belt-Timing (84H U7 G-200)
❹	14431-Z0J-000	1	Arm-Rocker, Intake Valve
❺	14441-Z0J-000	1	Arm-Rocker, Exhaust Valve
❻	14461-ZL8-000	2	Shaft-Arm, Rocker
❼	14711-Z0J-000	1	Valve-Intake (Rocknel)
❽	14721-ZL8-000	1	Valve-Exhaust
❾	14751-ZL8-000	2	Spring-Valve
❿	14771-Z0J-000	2	Retainer-Spring, Valve
⓫	90012-333-000	2	Screw-Adjusting, Tappet
⓬	90206-001-000	2	Nut-Adjusting, Tappet
Ⓜ	91301-ZM0-V31	1	O-Ring (6.8X19) (Arai)

Ref	Part No.	Qty.	Description
Ⓨ	12209-ZM0-003	1	Seal-Stem, Valve



Recoil Starter Assembly Honda GCV160A RTL1

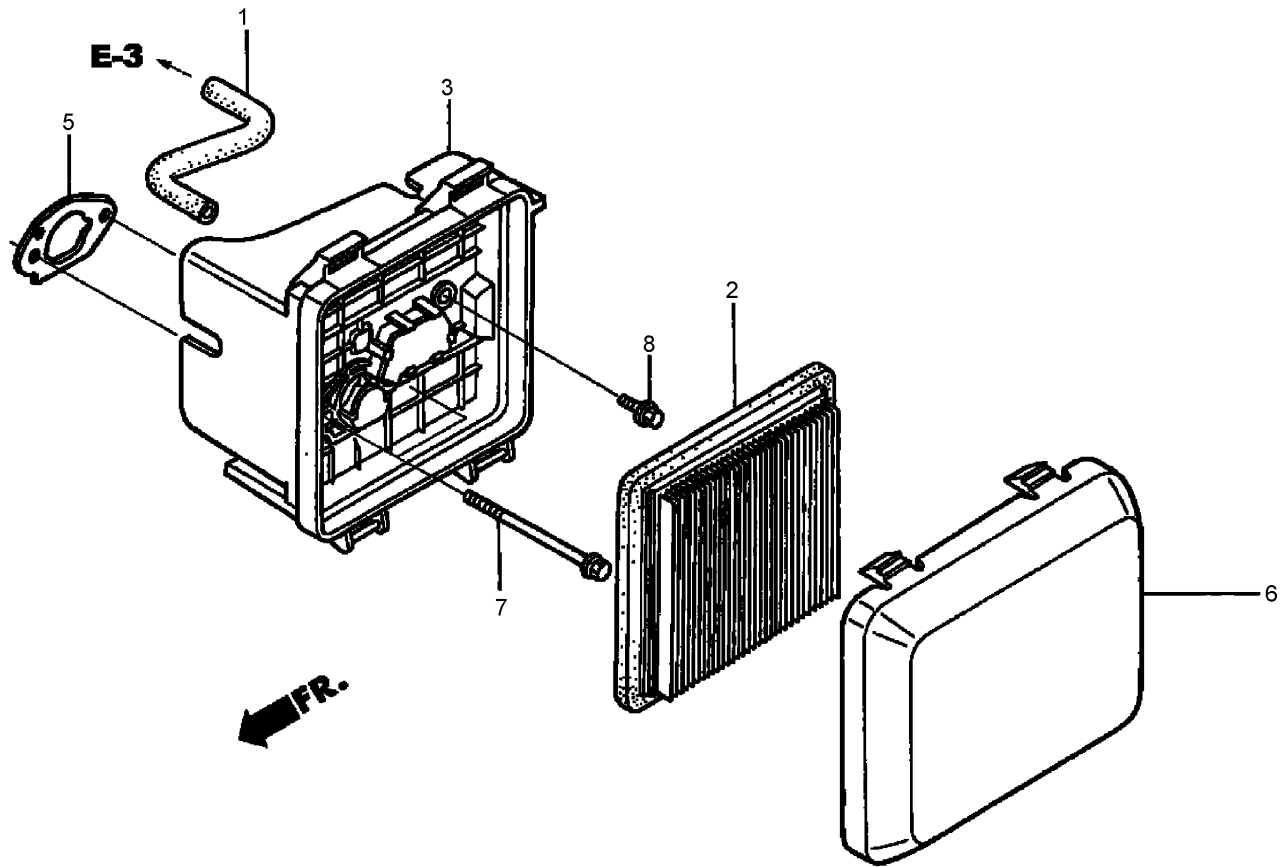
Ref	Part No.	Qty.	Description				
9	28462-Z0L-V71	1	Rope-Starter, Recoil				
11	90201-ZM0-000	3	Nut-Flange (6Mm)				
14	28400-Z0L-V72	1	Recoil Starter ASM				
15	66871-KY2-700	3	Nut-Cowl				



Carburetor Assembly Honda GCV160A RTL1

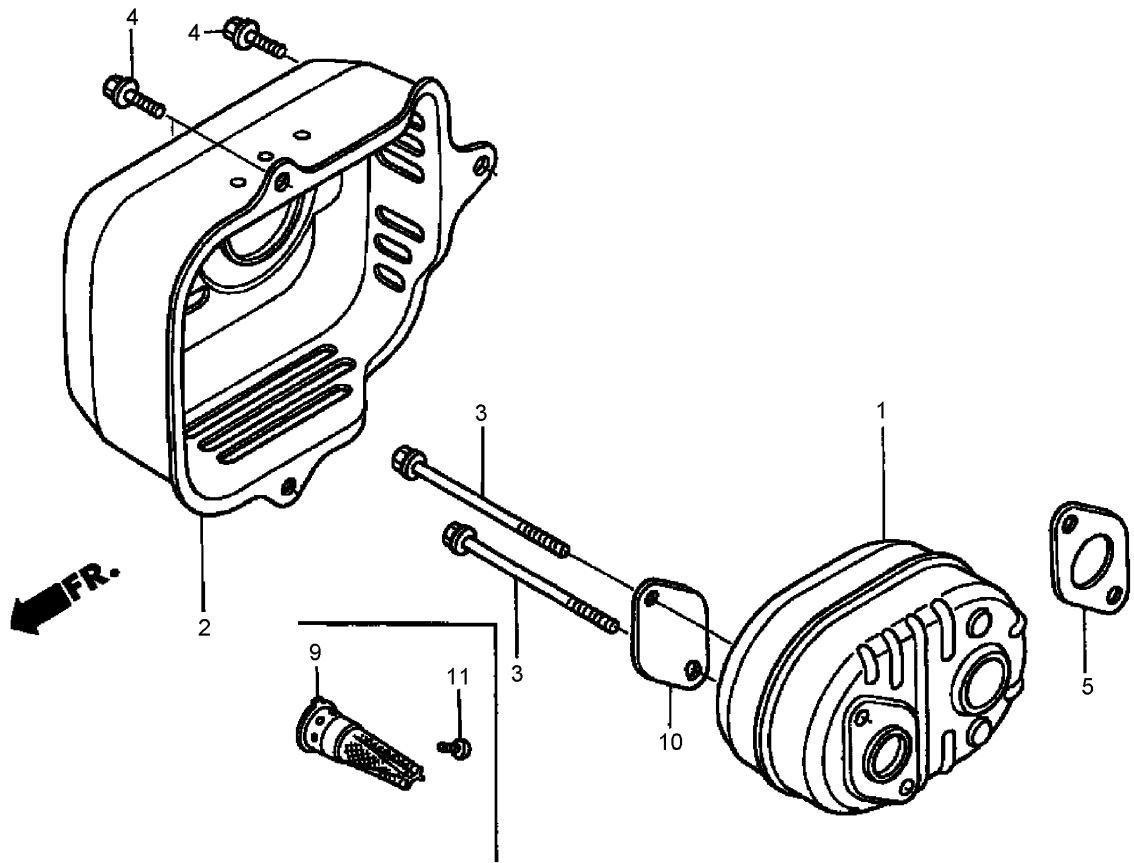
Ref	Part No.	Qty.	Description
●1	16010-883-015	1	Gasket Set
●2	16013-ZL1-003	1	Float Set
●3	16015-887-782	1	Float Chamber Set
●5	16028-ZE0-005	1	Screw Set
●7	16100-Z0L-802	1	Carburetor ASM (Bb62G B)
●8	16155-ZM0-013	1	Valve-Float
●9	16166-ZM0-003	1	Nozzle-Main
●10	16211-ZL8-000	1	Insulator-Carburetor
●11	16212-ZL8-000	1	Gasket-Insulator
●12	16221-883-800	2	Gasket-Carburetor
●13	16228-ZL8-000	1	Gasket-Carburetor
●14	19650-ZM0-000	1	Guide-Air
●15	93500-05006-0H	1	Screw-Pan (5X6)

Ref	Part No.	Qty.	Description
●16	99101-124-0600	1	Jet-Main (#60)
●16	99101-124-0620	1	Jet-Main (No.62)
●16	99101-124-0650	1	Jet-Main (No.65)
●17	16024-ZE1-811	1	Drain Screw Set



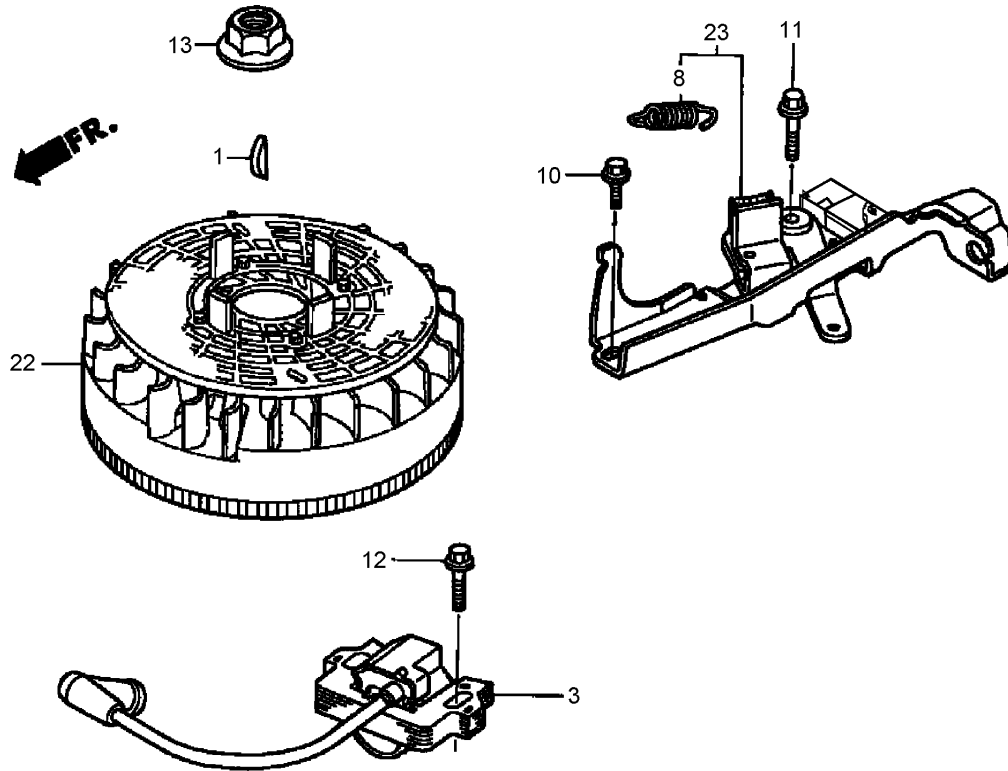
Air Cleaner Assembly Honda GCV160A RTL1

Ref	Part No.	Qty.	Description
❶	15721-ZM0-000	1	Tube-Breather
❷	17211-ZL8-013	1	Element-Cleaner, Air
❸	17220-ZM0-000	1	Air Cleaner Case ASM
❺	17228-ZM0-000	1	Gasket-Cleaner, Air
❻	17231-Z0L-030	1	Cover-Cleaner, Air
❼	90003-ZM0-000	2	Bolt-Flange (6X86) (C T200)
❽	95701-06014-08	1	Bolt-Flange (6X14)



Muffler Assembly Honda GCV160A RTL1

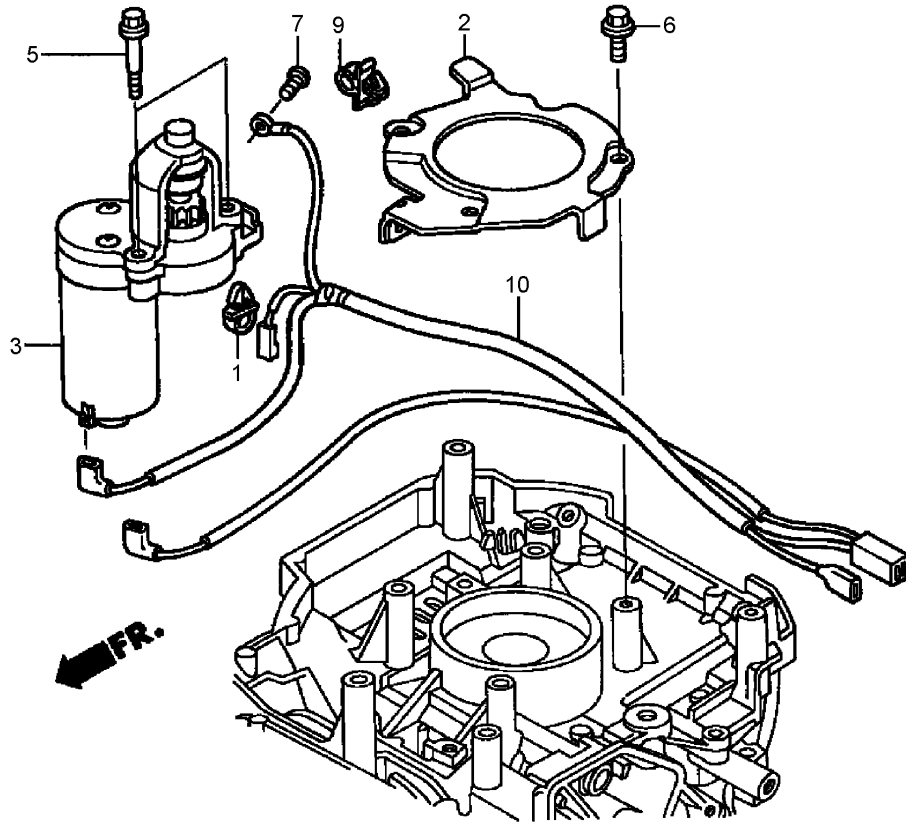
Ref	Part No.	Qty.	Description				
❶	18310-ZM0-000	1	Muffler				
❷	18321-Z0L-J00	1	Protector-Muffler				
❸	90004-ZL8-000	2	Bolt-Flange (6X79) (C T200)				
❹	90013-883-000	3	Bolt-Flange (6X12) (C T200)				
❺	18381-ZL8-305	1	Gasket-Muffler				
❾	18350-ZL8-000	1	Arrester-Spark				
❿	18356-ZL8-000	1	Plate-Number, Arrester				
⓫	90055-ZE1-000	1	Screw-Tapping (4X6)				



Flywheel Assembly Honda GCV160A RTL1

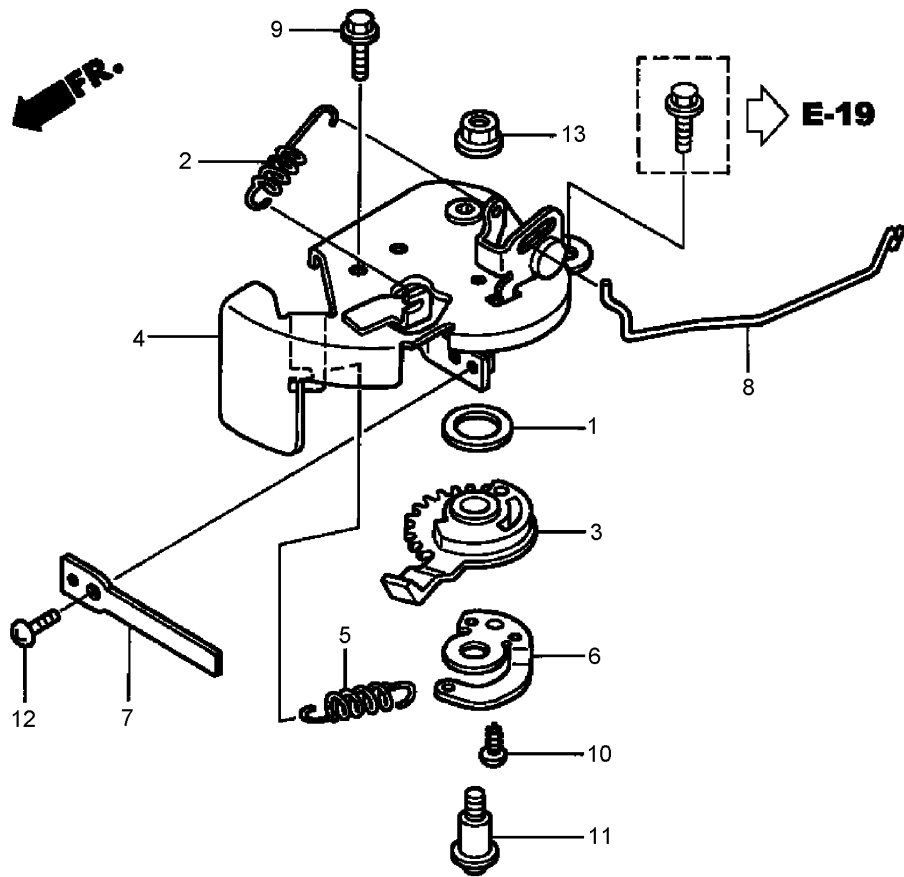
Ref	Part No.	Qty.	Description
❶	13331-357-000	1	Key-Woodruff, Special (25X18)
❸	30500-Z0J-003	1	Ignition Coil ASM (Phelon) (Use For Flywheel Of Phelon)
❸	75113-ZM0-000	1	Spring-Lever, Brake
❶	90014-952-000	1	Bolt-Flange (6X14) (C T200)
❶	90002-Z0L-820	1	Bolt-Flange (6X23) (Ct200)
❶	90022-888-010	1	Bolt-Flange (6X20) (C T200)
❶	90201-878-003	1	Nut-Special (14 Mm)
❶	31105-Z0L-820	1	Flywheel ASM
❶	75110-Z0L-821	1	Brake Sub-ASM

--	--	--	--



Starter Motor Assembly Honda GCV160A RTL1

Ref	Part No.	Qty.	Description				
❶	22534-Z0L-820	1	Holder-Wire				
❷	30549-Z0L-820	1	Clamp-Wire				
❸	31200-Z0L-821	1	Starter Motor ASM				
❺	90001-Z0L-820	2	Bolt (6Mm)				
❻	90013-883-000	3	Bolt-Flange (6X12) (C T200)				
❼	93500-05008-0A	1	Screw-Pan (5X8)				
❽	90681-959-003	1	Clip A-Cable (Nifco)				
❿	32222-Z0L-S10	1	Wire-Ground, Terminal				



Choke Base Assembly Honda GCV160A RTL1

Ref	Part No.	Qty.	Description				
❶	16251-Z0L-800	1	Seal-Lever, Choke				
❷	16592-ZJ1-000	1	Spring-Return, Cable				
❸	16612-Z0L-800	1	Lever-Choke				
❹	16613-Z0L-800	1	Base-Choke				
❺	16614-Z0L-800	1	Spring-Lever, Choke				
❻	16616-Z0L-800	1	Hook-Spring, Choke				
❼	16619-Z0L-800	1	Plate-Choke				
❽	16632-Z0L-800	1	Rod-Stop				
❾	90029-888-000	1	Bolt-Flange (6X16) (C T200)				
❿	90102-SP1-003	1	Screw-Tapping (4X8) (Po)				
⓫	90141-KT8-000	1	Screw-Pan (5X19)				
⓬	93500-04008-0H	1	Screw-Pan (4X8)				
⓭	94050-05000	1	Nut-Flange (5Mm)				

Attachments and Accessories

For 10796 - Insight Platinum Lawn Mower

Product Name	Model/Part
Lawn Boy Paint	110-8800
Replacement Bag	89815
Rear Bag Kit	89913
21 Inch Blade	89914
Cruise Control Kit	89919
Air Filter	89928
Spark Plug	89947

