



Groundsmaster[®] 7210 Traction Unit with 72in Rotary Mower

Model No. 30464TC - 280000001 and up.

Parts Catalog

Ordering Replacement Parts

To order replacement parts, please supply the part number, the quantity, and the description of each part desired.

Understanding Reference Numbers

Each identified part in an illustration has a reference number. The reference number for a part also appears in the parts list, along with other information about the part.

This catalog uses two special reference number formats, one to indicate parts in a service assembly and another to indicate the quantity of a given part in an illustration.

Service Assembly Reference Numbers

Parts in service assemblies have reference numbers in the form a:b. The a represents the reference number of the entire service assembly and the b represents a sequential number unique to each part within the service assembly.

For example, a wheel assembly might be identified by reference number 6, the tire by 6:1, the valve by 6:2, and the wheel by 6:3. When you order the assembly identified by reference number 6, you receive all parts identified by reference numbers 6:1, 6:2, and 6:3. However, you may also order any part individually. Reference numbers of this type appear in illustrations and in part lists.

Reference Numbers Indicating Quantity

In an illustration, if a reference number indicates more than one part, the reference number has the form nX y. The n represents the quantity of the part, the X is the multiplication symbol, and the y represents the reference number.

For example, in an illustration, the reference number 2X 37 means that two of the parts identified by reference number 37 are indicated.

Contents

Description	Page	Description	Page
Frame Assembly 4	Deck Decal Assembly No. 108-9903 37
Radiator Assembly 5	Low Driven Idler Assembly No. 104-3532 38
Control Panel Assembly 6	High Driven Spindle Assembly No. 104-3531 39
Transmission Assembly 7	Double Driven Spindle Assembly No. 104-3530 40
Hydraulic Gear Pump Assembly No. 112-9542 8	Deck Cover and Gearbox Assembly 41
Charge Pump Housing Assembly		Gearbox Assembly No. 110-6386-03 42
Transmission Assembly No. 107-0801 9	Deck Adjustment Link and Bumper Assembly 43
Center Section Assembly Transmission		Crankcase Assembly 44
Assembly No. 107-0801 10	Oil Pan Assembly 45
Gear Case and Clutch Assembly		Cylinder Head Assembly 46
Transmission Assembly No. 107-0801 11	Head Cover Assembly 47
Traction Control Assembly 12	Gear Case Assembly 48
Engine Component Assembly 13	Main Bearing Case Assembly 49
Air Cleaner Assembly No. 104-3428 14	Camshaft and Idle Gear Shaft Assembly 50
Engine, Muffler and Shield Assembly 15	Piston and Crankshaft Assembly 51
Hydraulic Assembly 16	Flywheel Assembly 52
Parking Brake Assembly 17	Fuel Camshaft and Governor Shaft Assembly 53
Electrical Assembly 18	Idle Apparatus Assembly 54
Hood Assembly 19	Injection Pump Assembly 55
Fuel Tank Assembly 20	Governor Assembly 56
Seat Assembly 21	Speed Control Plate Assembly 57
Seat Assembly No. 107-2286 22	Nozzle Holder and Glow Plug Assembly 58
Driveshaft Assembly 23	Nozzle Holder Assembly 59
Driveshaft Assembly No. 110-3575 24	Alternator and Pulley Assembly 60
Rear Drive Assembly 25	Alternator Components 61
Hydraulic Motor Assembly No. 108-5230 26	Starter (Component Part) Assembly No. 98-9705 62
Hydraulic Motor Assembly No. 108-5155 27	Water Flange and Thermostat Assembly 63
Carrier Frame and Valve Assembly 28	Water Pump Assembly 64
Carrier Frame Assembly No. 112-1630 29	Inlet and Exhaust Manifold Assembly 65
Hydraulic Cylinder Assembly No. 110-9834 30	Valve and Rocker Arm Assembly 66
Hydraulic Valve Assembly No. 114-2877 31	Turbo Charger Assembly 67
Caster Fork Assembly 32	Turbo Charger Oil Pipe Assembly 68
Caster Wheel Assembly No. 108-9954 33	Oil Cooler Assembly 69
Deck Linkage Assembly 34	Gasket Kit 70
Roll-Over Protection System and Rear Wheel		Electric Fuel Pump, Fuel Filter, Starter and	
Assembly 35	Overflow Bottle Assemblies 71
Roller, Belt and Pulley Assembly 36	Attachments and Accessories List 72

Part Description Abbreviations

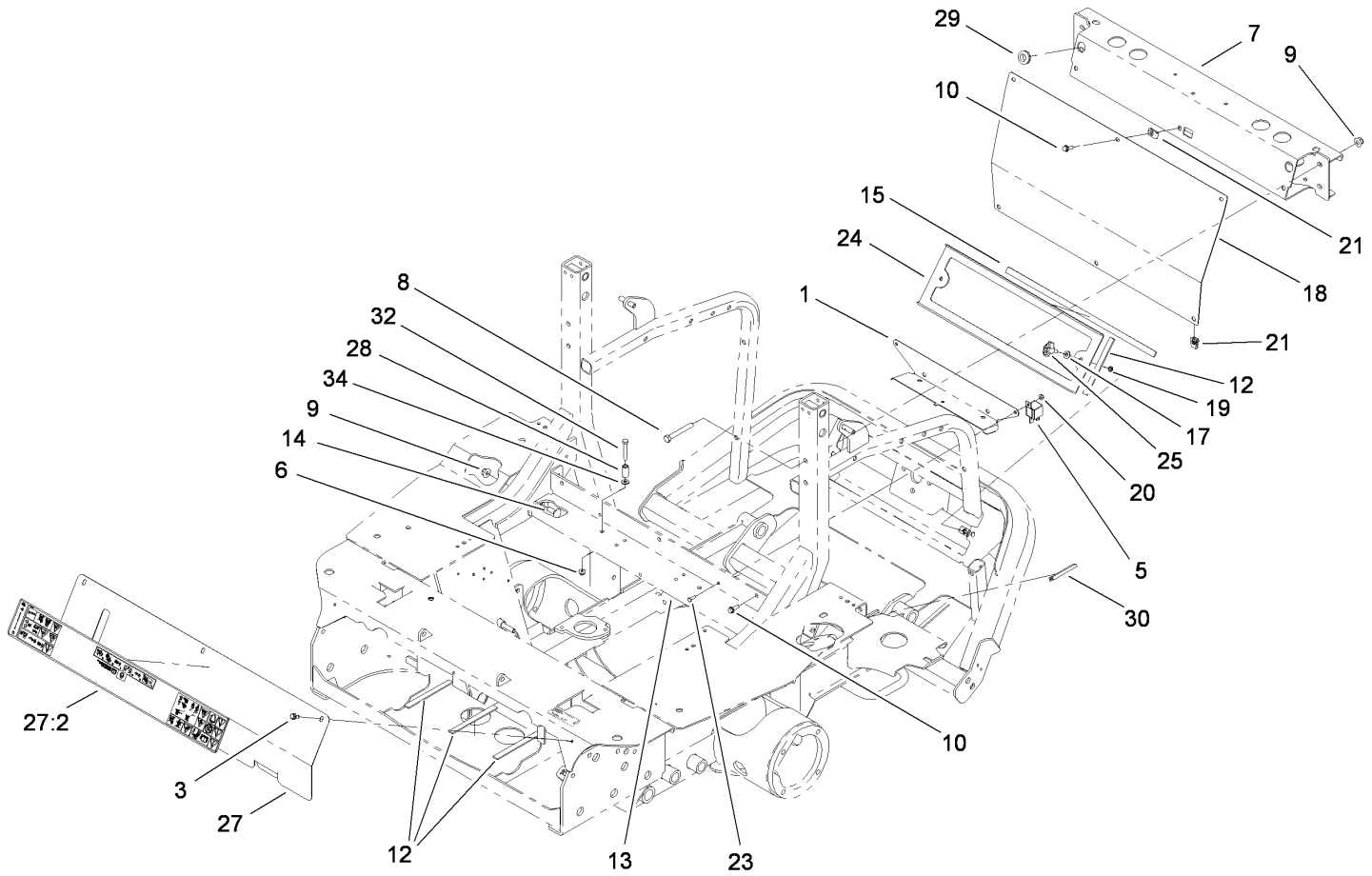
Part descriptions in this catalog may include the following abbreviations.

AR.	as required	HYD.	hydraulic
ASM.	assembly	LH.	left hand
BBC.	blade brake clutch	NI.	nylon insert
CARR.	carriage	NPTF.	national pipe thread fine
DEG.	degrees	PFH.	phillips flat head
EXT.	external	PPH.	phillips pan head
FH.	flat head	PPHTF.	phillips pan head thread forming
GA.	gauge	PRH.	phillips round head
HD.	heavy-duty	PTH.	phillips truss head
HF.	hex flange	PTO.	power-take-off
HH.	hex head	RH.	right hand
HHF.	hex head flange	ROPS.	roll-over protection system
HHFTF.	hex head flange thread forming	SFH.	slotted fillister head
HJ.	hex jam	SHH.	slotted hex head
HLH.	hex lag head	SHWH.	slotted hex washer head
HOC.	height-of-cut	SPH.	slotted pan head
HSBH.	hex socket button head	SQH.	square head
HSFH.	hex socket flat head	SRH.	slotted round head
HSH.	hex socket head	STD.	standard
HWH.	hex washer head	TAP.	self tapping
HWHTF.	hex washer head thread forming	TTH.	torx truss head

Footnotes

❶ Not illustrated

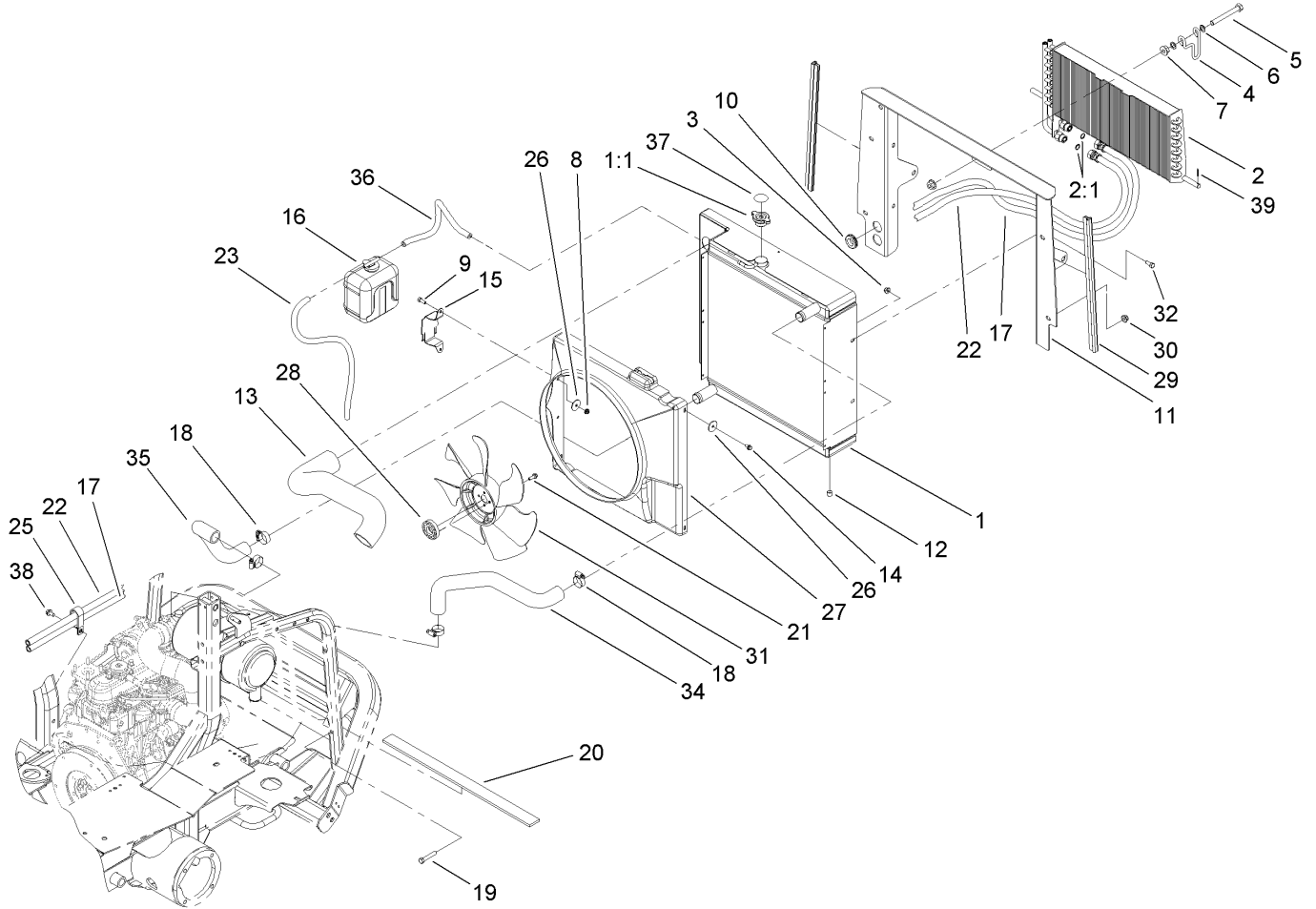
❷ Not serviced separately



Frame Assembly

Ref	Part No.	Qty.	Description
1	114-4055-03	1	Bracket-Wire
3	32144-10	3	Screw-HWH
5	99-7435	1	Relay-Power
6	104-7201	2	Nut-HF
7	112-6361-03	1	Crossmember ASM
8	323-13	4	Screw-HH
9	104-8301	8	Nut-Flange, NI
10	3234-4	6	Screw-HHF
12	105-0778	5	Strip-Foam
13	105-7296-03	1	Support-Seat
14	3231-2	4	Screw-CARR
15	112-6387	2	Strip-Foam
17	3256-22	2	Washer-Flat
18	112-6367-03	1	Panel-Rear
19	32151-106	2	Ring-Retaining
20	3290-148	2	Nut-HF
21	107069	8	Clip
23	3290-134	2	Screw
24	112-6384-03	1	Screen ASM
25	98-8332	2	Knob
27	110-9794	1	Cover-Front
27:2	110-9772	1	Decal-Safety
28	95-5807	2	Spacer
29	237-124	2	Grommet

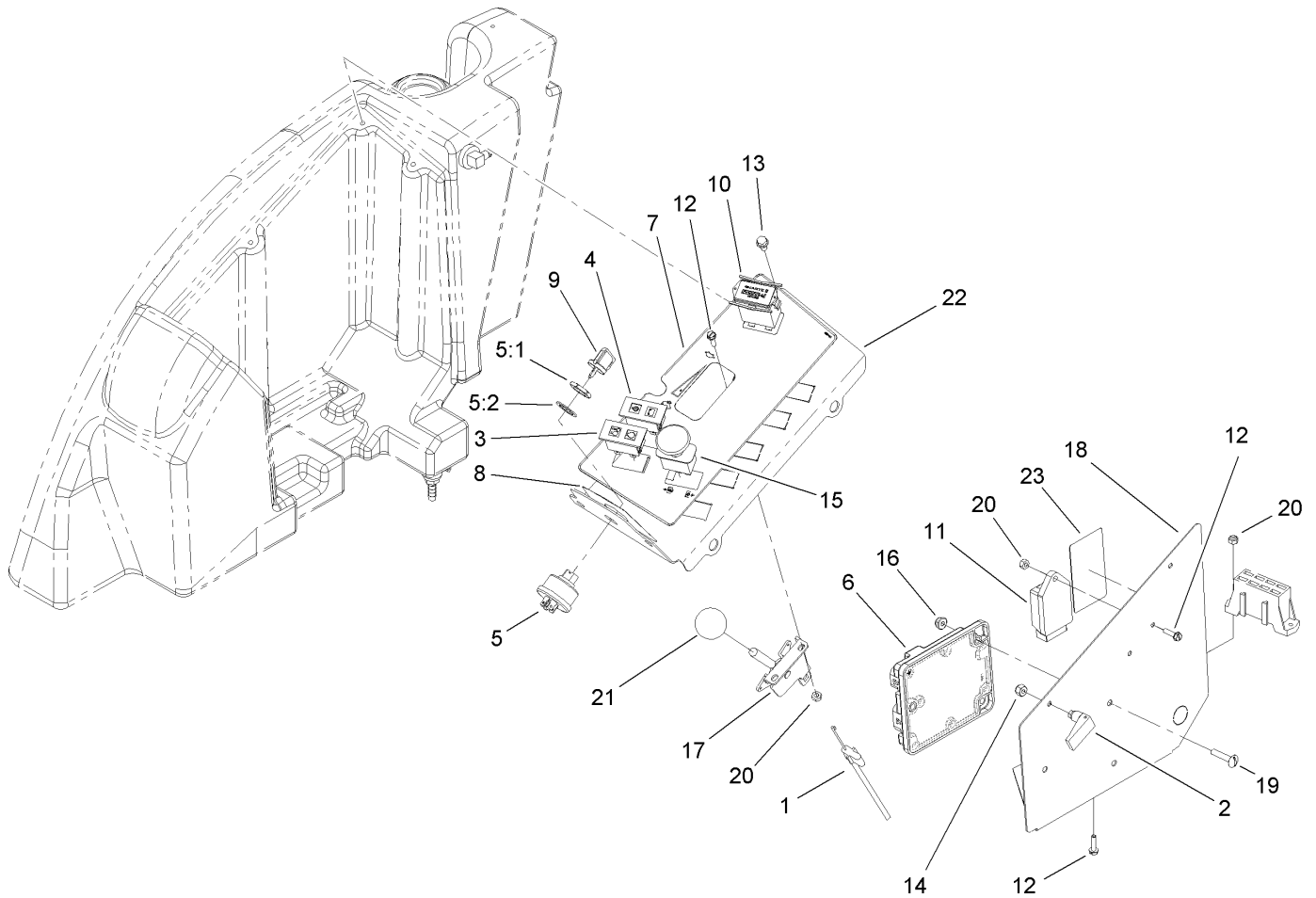
Ref	Part No.	Qty.	Description
30	110-8276	1	Trim-Hold Down, Battery
32	321-10	2	Screw-HH
34	3256-22	2	Washer-Flat



Radiator Assembly

Ref	Part No.	Qty.	Description
1	99-3637	1	Radiator
1:1	93-5957	1	Cap-Radiator
2	112-1684	1	Cooler-Oil
2:1	237-30	2	O-Ring
3	104-8300	4	Nut-Flange, NI
4	104-5429	1	Clamp-Form, Wire
5	325-17	1	Screw-HH
6	41-8440	2	Washer
7	32128-49	2	Nut-HHF
8	104-7201	2	Nut-HF
9	321-4	2	Screw-HH
10	240-4	2	Grommet-Rubber
11	110-8277-03	1	Frame-Radiator
12	99-8551	1	Plug-Pipe
13	105-7281	1	Hose-Air Inlet, Upper
14	32104-116	4	Screw
15	108-9930-03	1	Bracket-Bottle
16	108-0638	1	Bottle-Overflow
17	110-5542	1	HYD Hose ASM
18	2412-34	4	Clamp-Hose
19	323-10	4	Screw-HH
20	108-9935	1	Strip-Foam
21	33103-020	4	Screw-HHF
22	110-5543	1	HYD Hose ASM

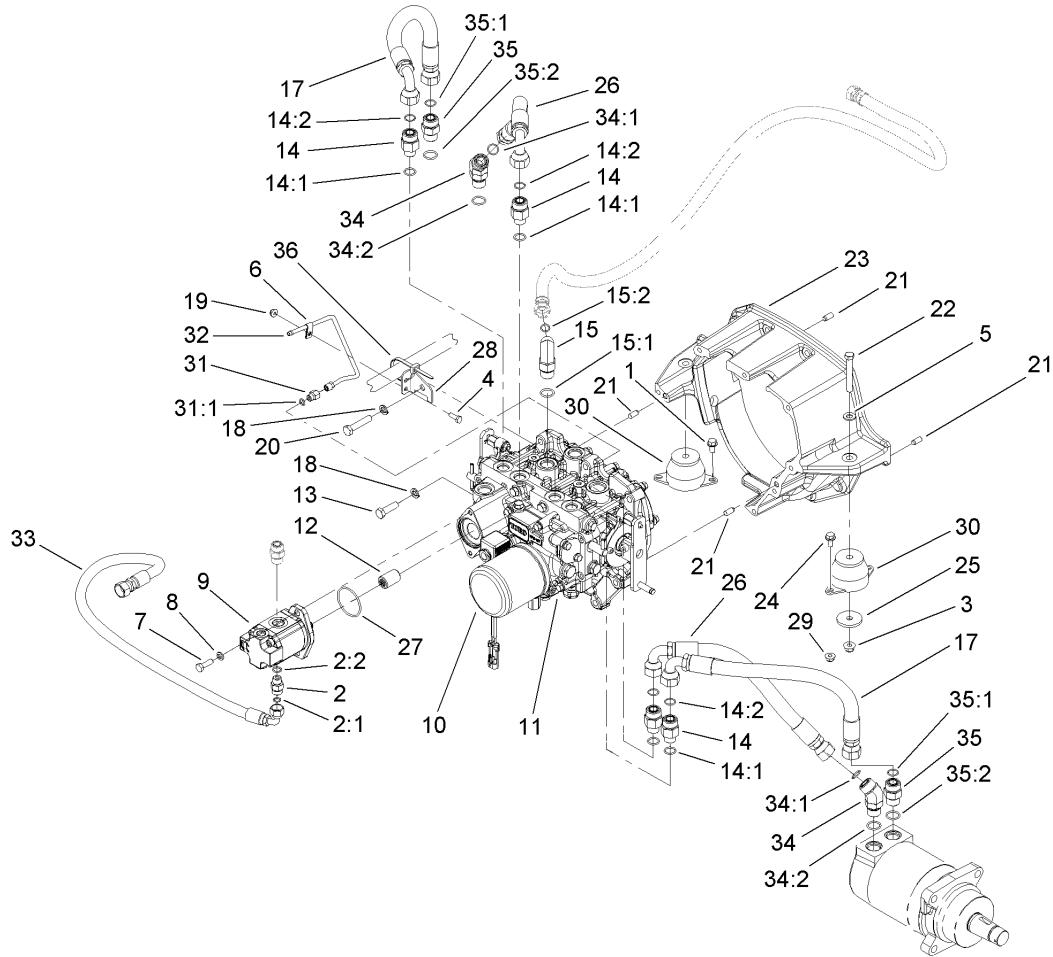
Ref	Part No.	Qty.	Description
23	108-3284	1	Hose-Fuel
25	2412-137	1	Clamp-R, Double
26	3256-55	6	Washer-Flat
27	108-9927	1	Shroud-Fan
28	104-4247	1	Spacer-Fan
29	107-2269	2	Seal-Bulb
30	104-8301	4	Nut-Flange, NI
31	104-4246	1	Fan-Engine
32	3234-5	4	Screw-HHF
34	105-7282	1	Hose-Radiator, Upper
35	105-7283	1	Hose-Radiator, Lower
36	109-0274	1	Hose-Fuel
37	106-6755	1	Decal-Cap, Radiator
38	32144-14	1	Screw-HWHTF
39	32121-107	1	Pin-Roll, Slotted



Control Panel Assembly

Ref	Part No.	Qty.	Description
1	110-5548	1	Cable-Throttle
2	74-5950	2	Latch-Swell
3	100-8071	1	Lamp-Warning
4	100-8070	1	Lamp-Warning
5	104-2541	1	Switch ASM
5:1	218-461	1	Nut-HH
5:2	3254-5	1	Washer-Tooth
6	106-9277	1	Module-Control, Standard
7	110-8253	1	Decal-Panel, Control
8	110-8254	1	Decal-Start, Control Panel
9	63-8360	2	Key-Ignition
10	1-513374	1	Meter-Hour
11	98-7611	1	Controller-Glow
12	32105-13	5	Screw-HWH
13	3234-13	5	Screw-HHF
14	1-804254	2	Nut
15	93-9999	1	Switch-PTO
16	104-7201	3	Nut-HF
17	110-5547	1	Control Lever ASM
18	110-8257-03	1	Cover-Panel, Control
19	3258-19	3	Screw
20	3296-2	5	Nut-Lock
21	233-42	1	Knob
22	110-8256-03	1	Panel-Control

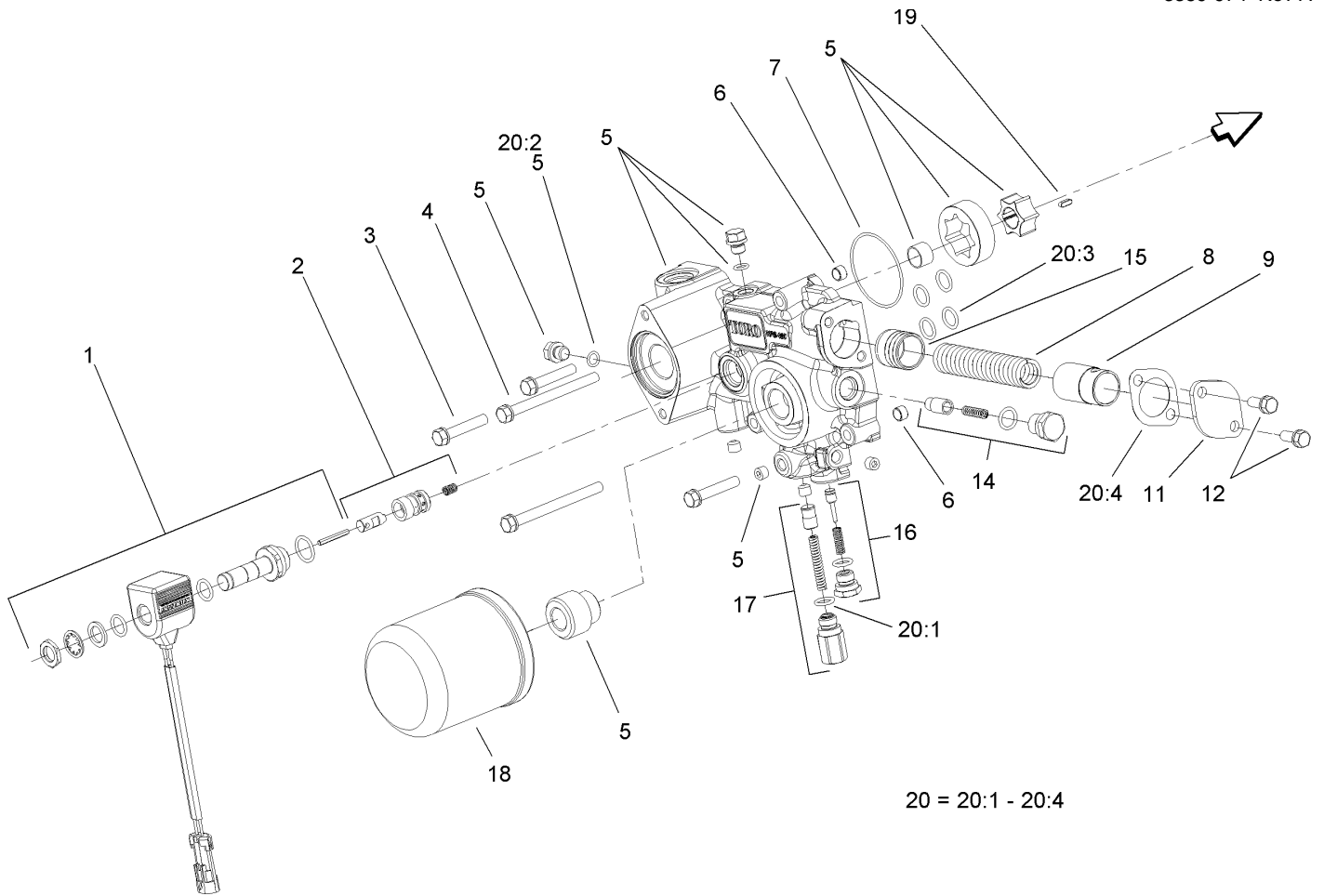
Ref	Part No.	Qty.	Description
23	110-9796	1	Decal-Block, Fuse



Transmission Assembly

Ref	Part No.	Qty.	Description
1	32144-14	2	Screw-HWHTF
2	340-2	1	Fitting-HYD, Straight
2:1	237-22	1	O-Ring
2:2	237-42	1	O-Ring
3	104-8301	2	Nut-Flange, NI
4	321-4	1	Screw-HH
5	3256-24	2	Washer-Flat
6	2412-72	1	Clip-Closed, Insulated
7	33114-025	2	Screw-HH
8	3253-4	2	Washer-Lock
9	112-9542	1	Pump-Gear
10	108-5194	1	Filter-Oil
11	107-0801	1	Transmission ASM
12	108-9920	1	Coupler-Spline, 9T
13	33115-035	1	Screw-HH
14	340-155	4	Fitting-HYD, Straight
14:1	237-79	1	O-Ring
14:2	237-151	1	O-Ring
15	340-105	1	Fitting-HYD, 90 DEG
15:1	237-80	1	O-Ring
15:2	237-30	1	O-Ring
17	112-1683	2	Hose ASM
18	48-9590	7	Washer-Lock
19	104-7201	1	Nut-HF

Ref	Part No.	Qty.	Description
20	33115-050	6	Screw-HH
21	87-1910	4	Pin-Dowel
22	323-13	2	Screw-HH
23	108-5193	1	Housing-Flywheel
24	3234-17	2	Screw-HHF
25	80-8560	2	Washer-Hardened
26	110-5518	2	Hose ASM
27	108-9919	1	O-Ring
28	110-5534	1	Support-Tube
29	104-8300	2	Nut-Flange, NI
30	107-2289	2	Mount-Motor
31	110-5536	1	Fitting-HYD, Adapter
31:1	237-78	1	O-Ring
32	110-5537	1	Tube ASM
33	94-5961	1	Hose ASM
34	340-14	2	Fitting-HYD, 45 DEG
34:1	237-65	1	O-Ring
34:2	237-80	1	O-Ring
35	340-7	2	Adapter
35:1	237-65	1	O-Ring
35:2	237-80	1	O-Ring
36	3290-378	1	Tie-Cable

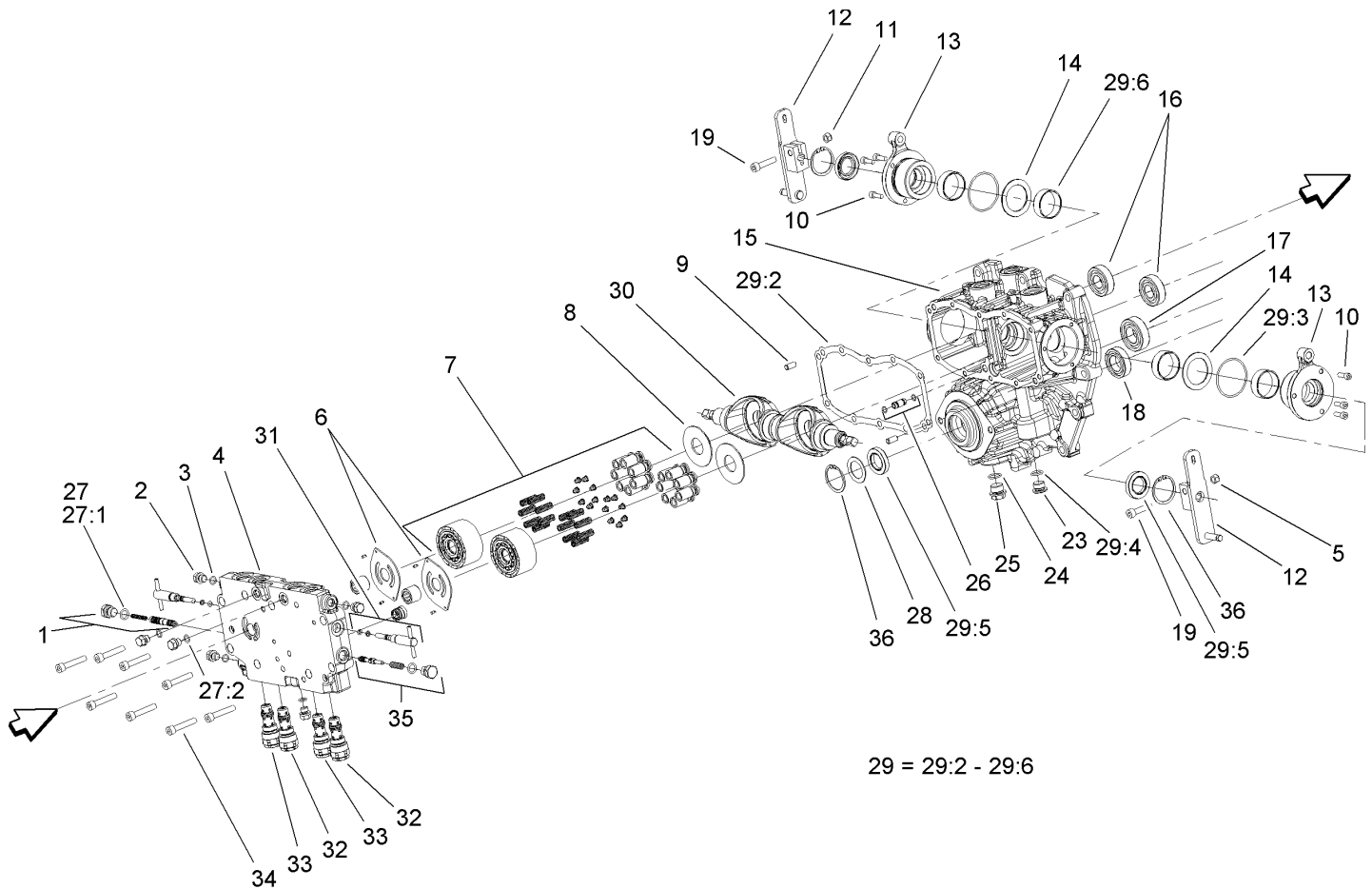


20 = 20:1 - 20:4

Charge Pump Housing Assembly Transmission Assembly No. 107-0801

Ref	Part No.	Qty.	Description
1	107-0851	1	Solenoid ASM
2	107-0850	1	Solenoid Valve ASM
3	107-0863	3	Bolt
4	107-0864	2	Bolt
5	107-0840	1	Pump Body ASM
6	107-0848	2	Pin
7	107-0856	1	O-Ring
8	107-0845	1	Spring
9	107-0844	1	Collar
11	107-0846	1	Cover
12	93-0457	2	Bolt And Washer ASM
14	107-0843	1	Filter Bypass Valve ASM
15	107-0818	1	Piston
16	107-0842	1	Charge Relief Valve ASM
17	107-0841	1	Pressure Valve ASM
18	108-5194	1	Filter-Oil
19	107-0865	1	Key
20	107-0855	1	Charge Pump Seal Kit
20:1	93-0418	2	O-Ring
20:2	107-0817	2	O Ring-Plug
20:3	104-3298	6	Packing
20:4	107-0847	1	Gasket

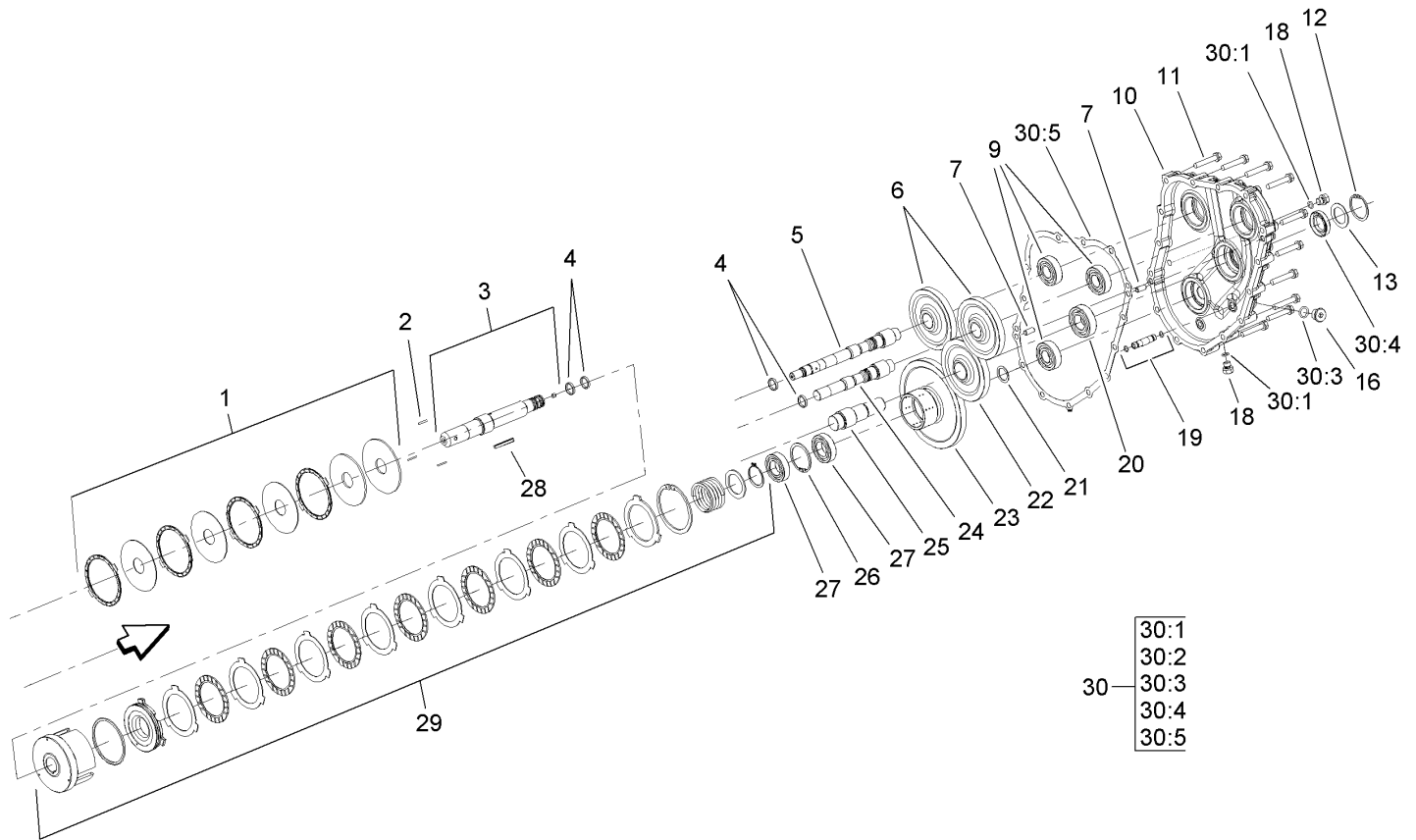
--	--	--	--



Center Section Assembly Transmission Assembly No. 107-0801

Ref	Part No.	Qty.	Description
1	107-0807	1	Valve-Flushing, RH
2	107-0857	6	Plug
3	107-0817	6	O Ring-Plug
4	107-0802	1	Case-Center
5	107-0858	1	U-Nut
6	107-0805	2	Plate-Valve
7	107-0824	2	Cylinder Block ASM
8	107-0830	2	Plate-Thrust
9	92-0765	4	Pin-Parallel
10	107-0859	6	Bolt
11	107-0858	2	U-Nut
12	107-0831	2	Arm-Control
13	107-0832	2	Side Cover ASM
14	107-0829	2	Washer
15	107-0809	1	Housing-Pump
16	107-0826	2	Bearing
17	107-0821	1	Bearing
18	107-0838	1	Bearing
19	107-0860	2	Bolt
23	107-0861	1	Plug-NPTF
24	107-0862	1	O-Ring
25	107-0867	1	Plug
26	107-0812	1	Pipe
27	107-0852	1	Center Case Seal Kit

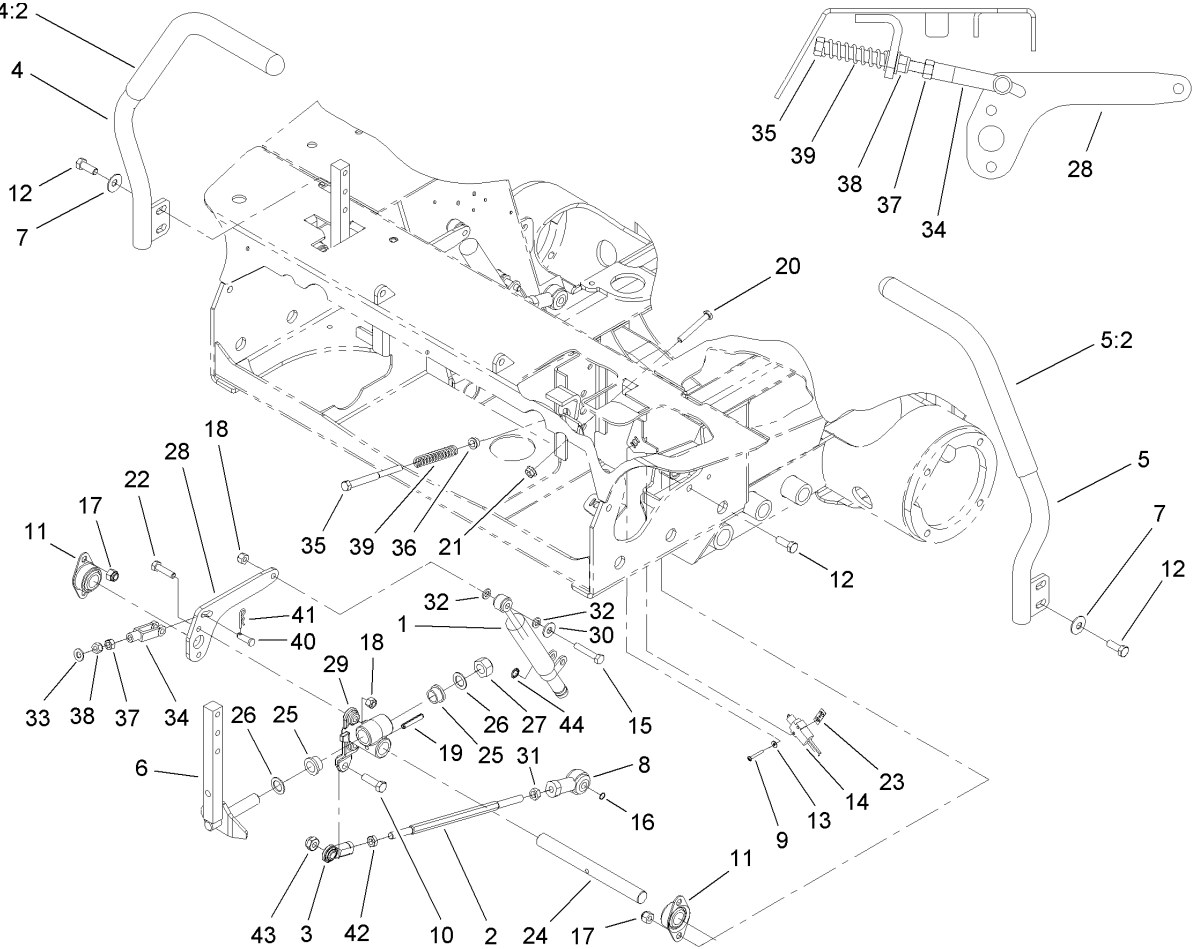
Ref	Part No.	Qty.	Description
27:1	93-0418	2	O-Ring
27:2	107-0817	6	O Ring-Plug
28	107-0813	1	Spacer
29	107-0853	1	Pump Housing Seal Kit
29:2	107-0810	1	Gasket-Case, Center
29:3	107-0817	2	O Ring-Plug
29:4	104-3298	1	Packing
29:5	107-0814	3	Seal
29:6	107-0825	4	Ring-Seal
30	107-0828	2	Plate-Swash
31	107-0808	2	Valve-Bypass
32	107-0804	2	Valve-Rear
33	107-0803	2	Valve-Front
34	107-0863	8	Bolt
35	107-0806	1	Valve-Flushing, LH
36	92-0757	2	Ring-Snap



Gear Case and Clutch Assembly Transmission Assembly No. 107-0801

Ref	Part No.	Qty.	Description
1	107-0839	1	PTO Brake ASM
2	107-0837	3	Rod-Push
3	107-0833	1	PTO Shaft ASM
4	107-0825	2	Ring-Seal
5	107-0827	1	Shaft-Pump
6	107-0823	2	Gear-Pump
7	92-0765	4	Pin-Parallel
9	107-0826	4	Bearing
10	107-0815	1	Housing-Gear Case
11	107-0863	13	Bolt
12	92-0757	1	Ring-Snap
13	107-0813	1	Spacer
16	107-0861	1	Plug-NPTF
18	107-0857	6	Plug
19	107-0811	1	Pipe
20	107-0821	2	Bearing
21	107-0836	1	Spacer
22	107-0820	1	Gear-Input
23	107-0834	1	Gear-PTO
24	107-0822	1	Shaft-Pump
25	107-0819	1	Shaft-Input
26	92-0758	1	Ring-Snap
27	107-0838	3	Bearing
28	107-0866	1	Key

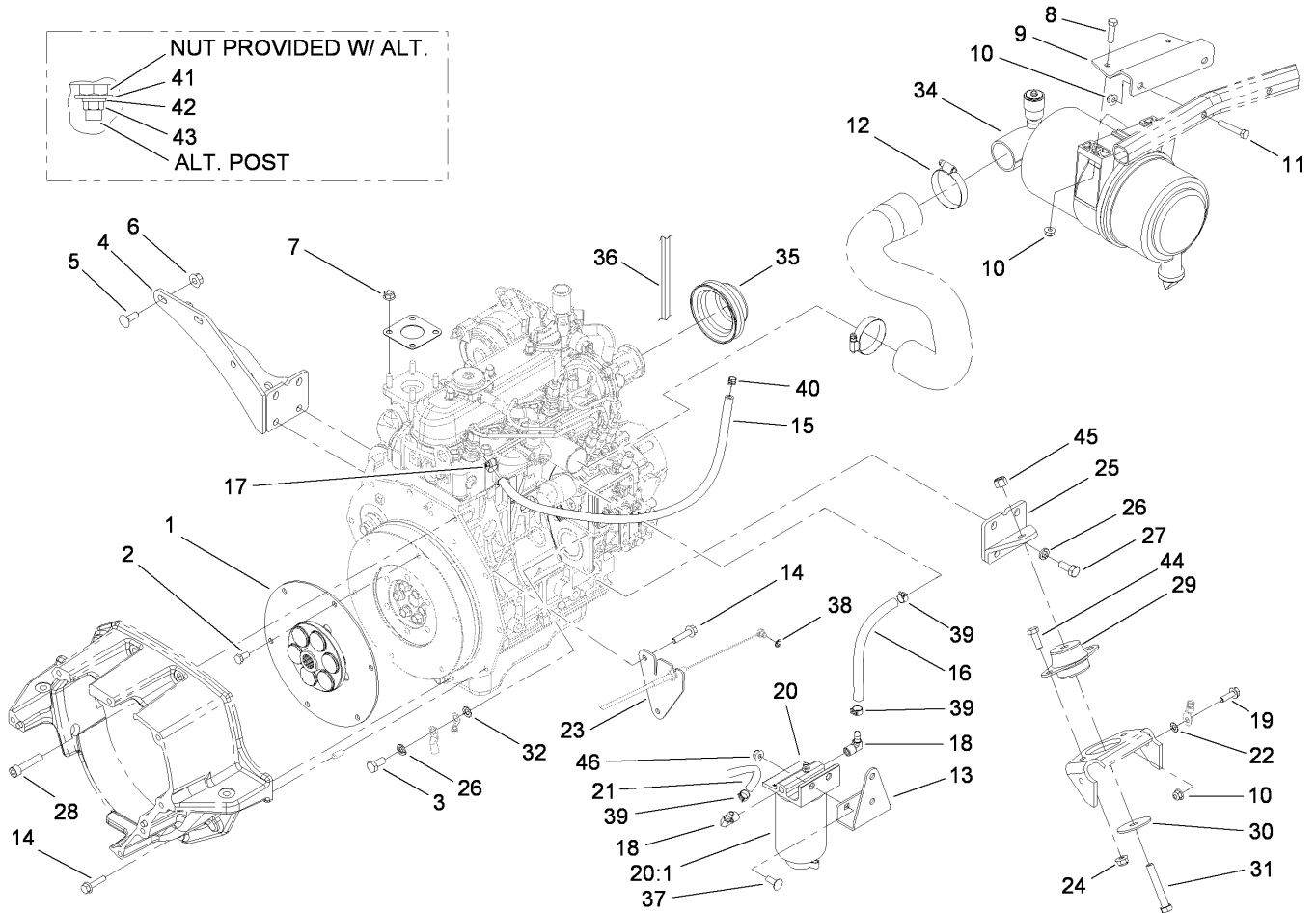
Ref	Part No.	Qty.	Description
29	107-0835	1	Clutch Cylinder ASM
30	107-0854	1	Gear Housing Seal Kit
30:1	107-0817	2	O Ring-Plug
30:2		2	O-Ring
30:3	104-3298	1	Packing
30:4	107-0814	1	Seal
30:5	107-0816	1	Gasket-Housing, Gear



Traction Control Assembly

Ref	Part No.	Qty.	Description
1	105-7280	2	Damper
2	105-7239	2	Rod-Threaded
3	103-1167	2	Joint-Ball End, LH
4	108-5208	1	RH Lever And Grip ASM
4:2	108-5213	1	Grip-Foam
5	108-5209	1	LH Lever And Grip ASM
5:2	108-5213	1	Grip-Foam
6	108-9833-03	2	Lever ASM
7	3290-461	4	Washer-Spring
8	105-7199	2	Rod End-Isolated
9	3250-35	4	Screw-PPH
10	323-7	2	Screw-HH
11	1-633102	4	Bearing-Flange, Side
12	323-6	12	Screw-HH
13	3256-53	4	Washer-Flat
14	99-3410	2	Switch
15	322-9	2	Screw-HH
16	32120-46	2	Ring-Retaining
17	3296-39	8	Nut-Lock, NI
18	3296-29	6	Nut-Lock, NI
19	32121-15	2	Pin-Roll
20	9114524	2	Bolt-TAP, HH
21	32128-26	2	Nut-Flange
22	322-6	4	Screw-HH

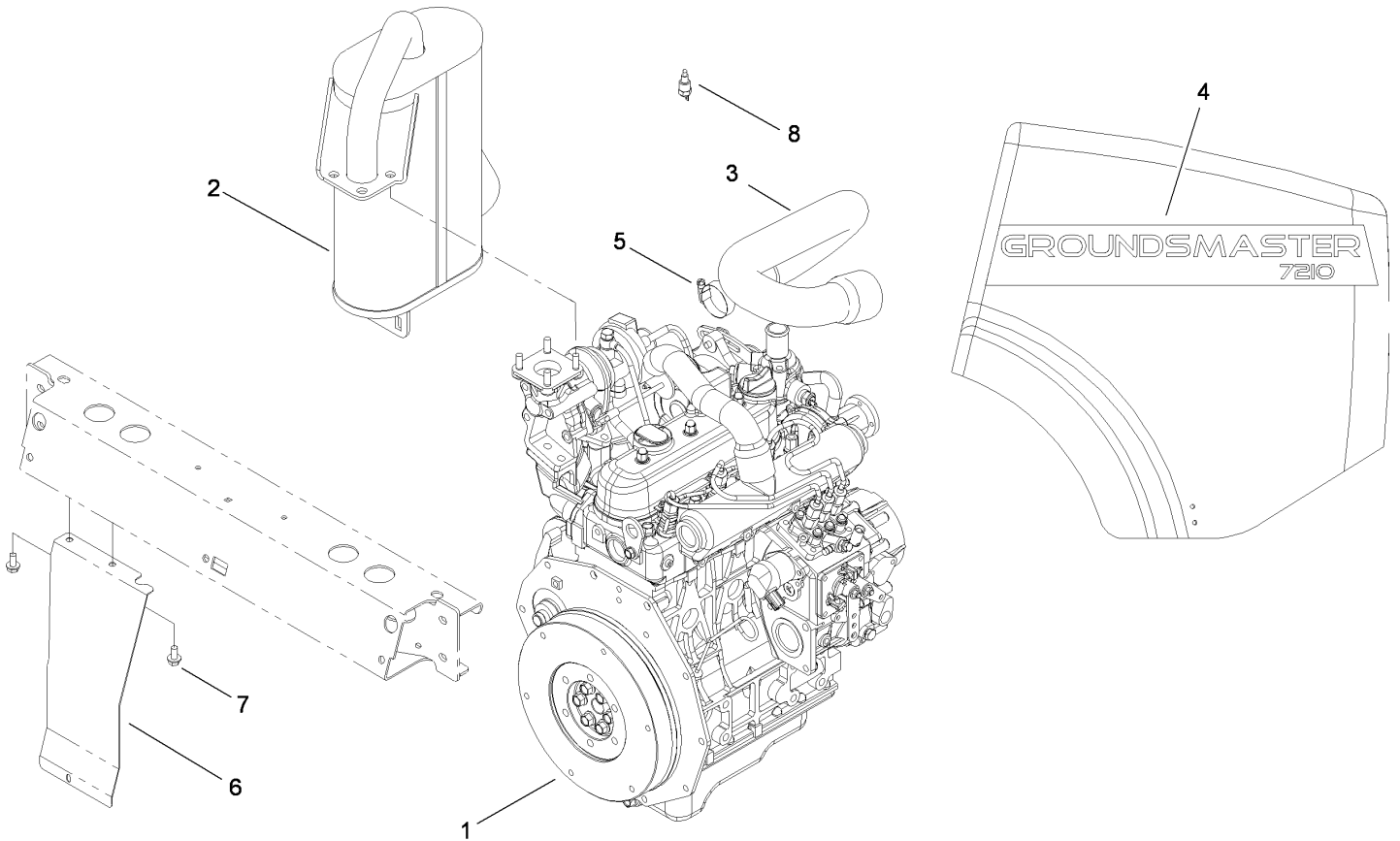
Ref	Part No.	Qty.	Description
23	108-9824	2	Nut-Switch
24	108-9830	2	Shaft-Pivot
25	105-3455	4	Bushing
26	105-3481	4	Washer-Thrust
27	32152-6	2	Nut-Lock, Cone
28	108-9829-03	2	Lever-Damper
29	108-9831	2	Hub-Control
30	3256-3	2	Washer-Flat
31	3219-3	2	Nut-Hex
32	3253-4	4	Washer-Lock
33	3256-23	2	Washer-Flat
34	1-303105	2	Yoke-Adjustable
35	1-603737	2	Bolt-Return, Neutral
36	1-603735	2	Bushing-Flanged
37	3219-2	2	Nut-Hex
38	3296-4	2	Nut-Lock
39	1-603807	2	Spring-Return, Neutral
40	283-1	2	Pin-Clevis
41	3290-307	2	Pin-Hair
42	3220-16	2	Nut-Jam, LH
43	3296-44	2	Nut-Lock, NI
44	32151-72	2	Ring-Retaining



Engine Component Assembly

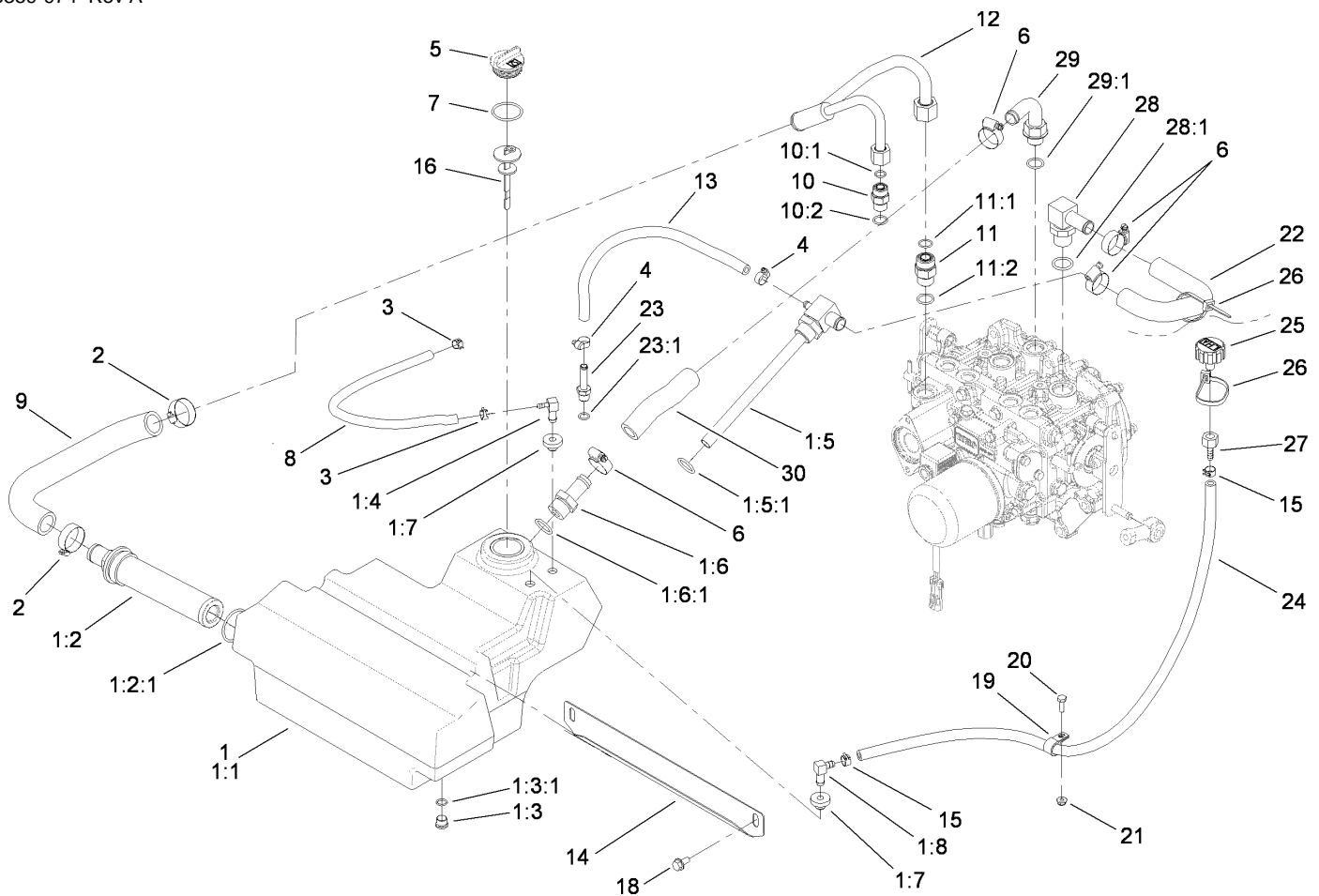
Ref	Part No.	Qty.	Description
1	110-9729	1	Flywheel Coupling ASM
2	33114-016	6	Screw-HH
3	63-7790	1	Screw-Cap
4	108-9926-03	1	Muffler Bracket ASM
5	3231-22	2	Screw-CARR
6	32128-29	2	Locknut-Flange
7	33004-00	4	Nut-HF
8	322-6	2	Screw-HH
9	108-9843-03	1	Support-Cleaner, Air
10	104-8300	5	Nut-Flange, NI
11	322-10	2	Screw-HH
12	2412-130	1	Clamp-Hose
13	114-4058-03	1	Mount-Separator
14	33104-035	8	Screw-HHF
15	110-8255	1	Hose-Fuel
16	110-4104	1	Hose-Fuel
17	2412-108	1	Clamp-Worm
18	353-781	2	Fitting-Elbow
19	3234-17	1	Screw-HHF
20	110-9044	1	Filter-Separator
20:1	110-9049	1	Filter-Spin On
21	114-4028	1	Hose-Fuel
22	3255-8	1	Washer-Lock
23	114-4060	1	Bracket-Throttle

Ref	Part No.	Qty.	Description
24	104-8301	4	Nut-Flange, NI
25	105-7235-03	1	LH Rear Mount ASM
26	48-9590	9	Washer-Lock
27	43-0090	8	Screw-HH
28	3274-106	2	Screw-HSH
29	53-9681	2	Mount-Engine
30	87-5100	2	Washer-Snubbing
31	324-11	2	Screw-HH
32	3255-9	1	Washer-Lock
34	104-3428	1	Air Cleaner ASM
35	98-9584	1	Pulley-Fan
36	98-9676	1	V-Belt
37	3230-10	2	Screw-CARR
38	701197	1	E-Ring
39	92-2379	3	Clamp-Hose
40	2412-80	1	Clamp-Line, Fuel
41	3256-2	1	Washer-Flat
42	43-5930	1	Washer-Spring
43	33013-00	1	Nut-Hex
44	323-6	4	Screw-HH
45	3296-48	2	Nut-Lock, NI
46	32128-44	2	Nut



Engine, Muffler and Shield Assembly

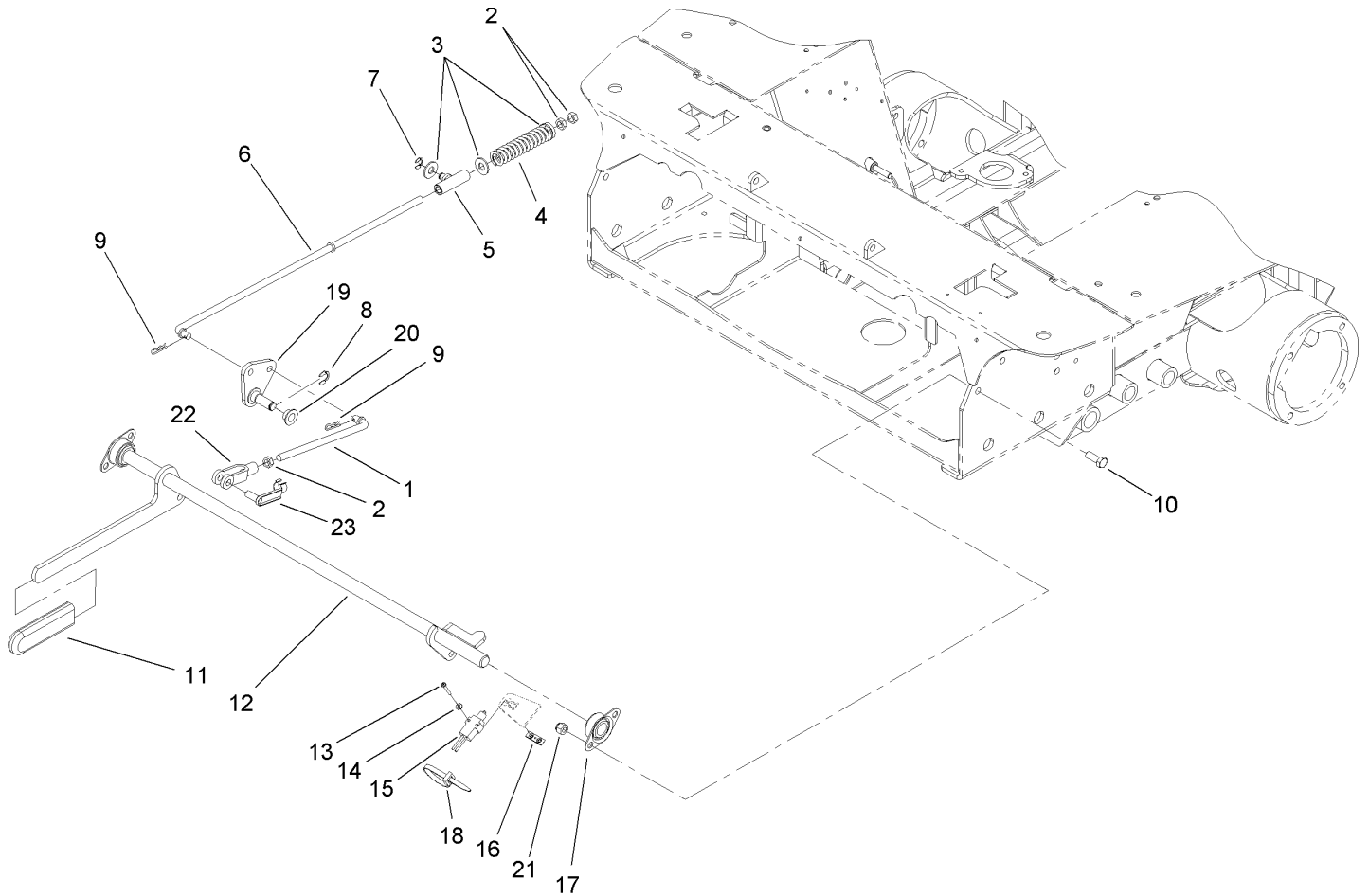
Ref	Part No.	Qty.	Description				
1	114-4080	1	Engine-Kubota				
2	108-9912	1	Muffler				
②2:1	112-1688	1	Spark Arrestor Kit				
3	112-9582	1	Hose-Air Inlet, Turbo				
4	110-5545	2	Decal-Hood				
5	2412-3	1	Clamp-Hose				
6	112-6368-03	1	Shield-Heat				
7	32144-14	2	Screw-HWHTF				
8	98-9719	1	Thermoswitch				



Hydraulic Assembly

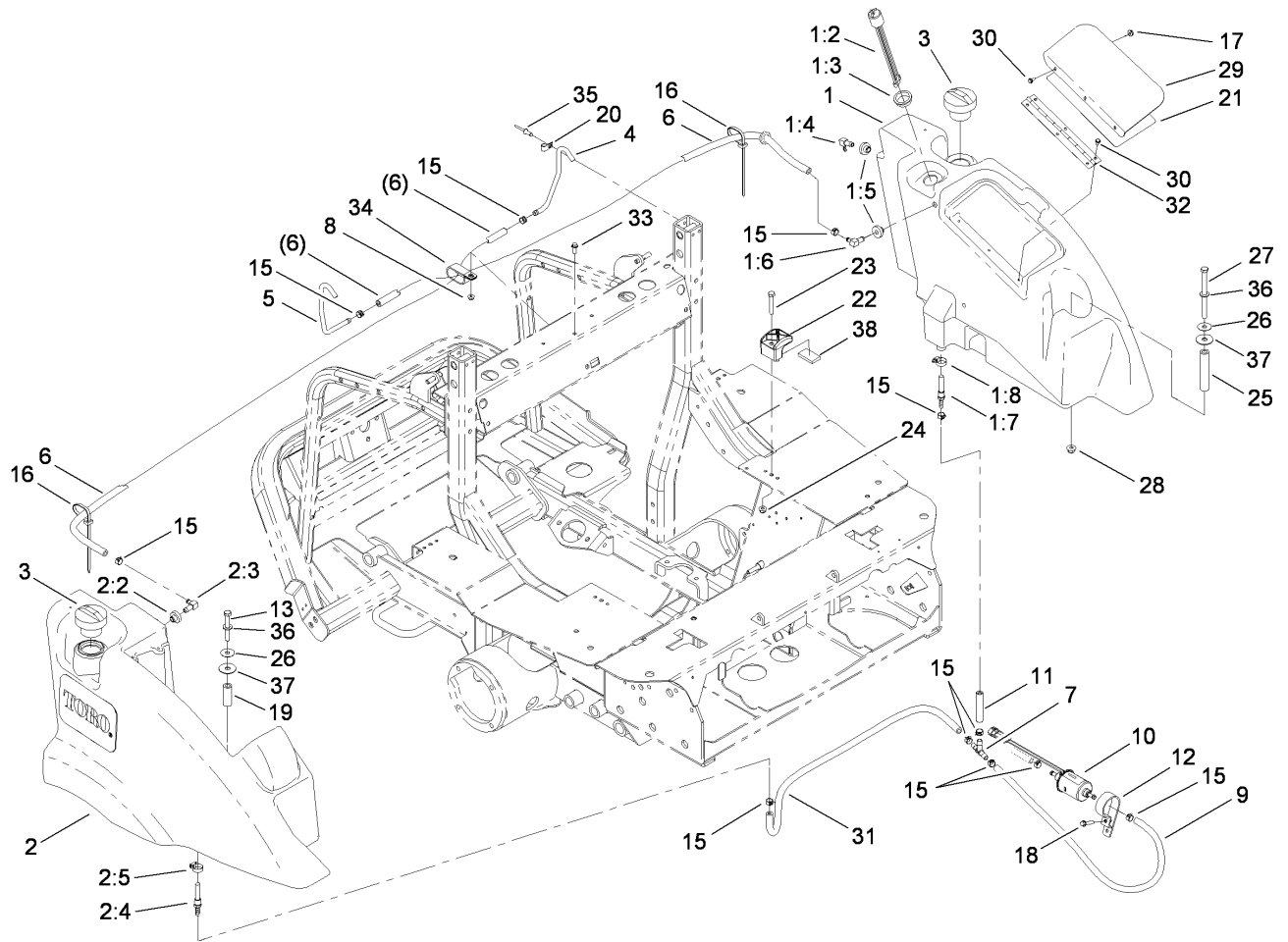
Ref	Part No.	Qty.	Description
1	110-8237	1	Hydraulic Reservoir ASM
1:1	108-5200	1	Reservoir-Hydraulic
1:2	104-7546	1	Strainer-Tank
1:2:1	340-136	1	O-Ring
1:3	353-989	1	Plug-Hex, Hollow
1:3:1	237-42	1	O-Ring
1:4	104-5228	1	Fitting-Elbow
1:5	108-9894	1	Fitting-Elbow, Special
1:5:1	237-81	1	O-Ring
1:6	354-73	1	Fitting-Straight
1:6:1	237-81	1	O-Ring
1:7	46-6560	2	Bushing
1:8	46-6550	1	Fitting-Elbow, 90 DEG
2	2412-34	2	Clamp-Hose
3	2412-98	2	Clamp
4	2412-108	2	Clamp-Worm
5	93-7498	1	Plug-Plastic
6	2412-129	4	Clamp-Hose
7	94-8166	1	O-Ring
8	109-0299	1	Hose-Fuel
9	110-5526	1	Hose-Suction
10	340-4	1	Fitting-HYD, Straight
10:1	237-30	1	O-Ring
10:2	237-79	1	O-Ring

Ref	Part No.	Qty.	Description
11	340-7	1	Adapter
11:1	237-65	1	O-Ring
11:2	237-80	1	O-Ring
12	110-5532	1	Tube ASM
13	94-5625	1	Hose-Overflow, Radiator
14	110-5529-03	1	Support-Reservoir
15	92-2379	2	Clamp-Hose
16	112-6365	1	Dipstick ASM
18	32144-14	2	Screw-HWHTF
19	2412-87	1	Clamp-Cable
20	321-4	1	Screw-HH
21	104-7201	1	Nut-HF
22	110-5524	1	Hose-Return
23	353-979	1	Fitting-Straight
23:1	237-42	1	O-Ring
24	110-9662	1	Hose-Fuel
25	68-6150	1	Breather
26	3290-379	2	Tie-Cable
27	354-95	1	Fitting-Straight
28	353-987	1	Fitting-HYD, 90
28:1	237-81	1	O-Ring
29	110-5522	1	Fitting-Elbow, 90
29:1	237-80	1	O-Ring
30	112-1680	1	Hose-HYD



Parking Brake Assembly

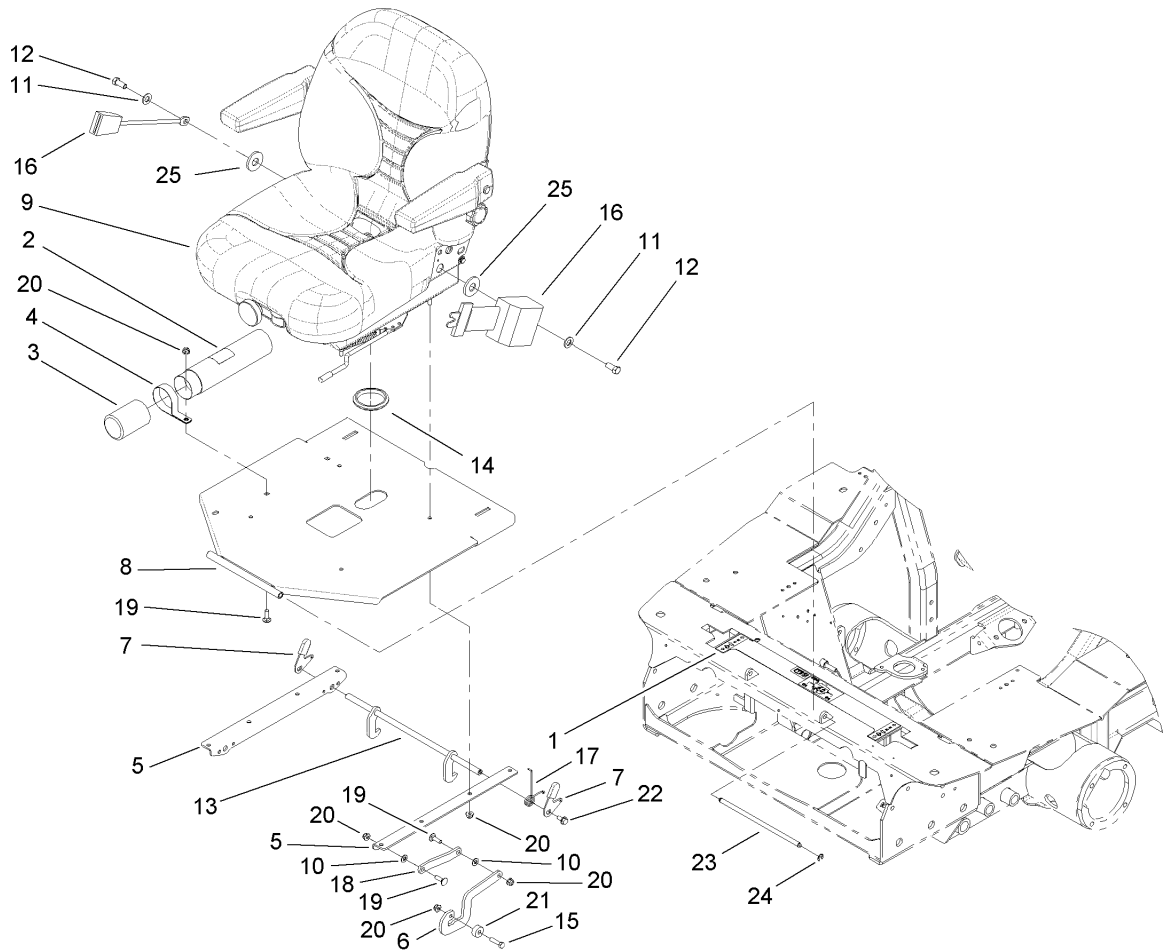
Ref	Part No.	Qty.	Description
1	110-5498	2	Rod-Brake, Front
2	3219-3	6	Nut-Hex
3	3256-4	6	Washer-Flat
4	109-2230	2	Spring-Compression
5	112-1676	2	Swivel ASM
6	110-5494	2	Rod-Brake, Rear
7	32151-47	2	Ring-Retaining
8	32151-68	2	Ring-Retaining
9	3290-307	4	Pin-Hair
10	323-6	4	Screw-HH
11	1-633268	1	Grip-Lever, Brake
12	108-5214-03	1	Brake Handle ASM
13	3250-35	2	Screw-PPH
14	3256-53	2	Washer-Flat
15	95-8900	1	Switch
16	108-9824	1	Nut-Switch
17	1-633102	2	Bearing-Flange, Side
18	3290-378	1	Tie-Cable
19	110-9754	2	Brake Pivot ASM
20	1-513140	4	Bearing-Control
21	3296-39	4	Nut-Lock, NI
22	1-633131	2	Yoke-Linkage, Brake
23	103-2399	2	Pin-Spring, Clevis



Fuel Tank Assembly

Ref	Part No.	Qty.	Description
1	110-8230	1	LH Fuel Tank ASM
1:2	110-8262	1	Gauge-Fuel
1:3	95-8972	1	Grommet
1:4	104-5228	1	Fitting-Elbow
1:5	46-6560	2	Bushing
1:6	1-643259	1	Fitting-Elbow
1:7	112-6374	1	Fitting-Strainer
1:8	2412-36	1	Clamp-Hose
2	110-8236	1	RH Fuel Tank ASM
2:2	46-6560	1	Bushing
2:3	1-643259	1	Fitting-Elbow
2:4	112-6374	1	Fitting-Strainer
2:5	2412-36	1	Clamp-Hose
3	115-3002	2	Cap-Biodiesel
4	110-8261	1	Tube-Vent, LH
5	110-8260	1	Tube-Vent, RH
6	110-6186	2	Hose-Fuel
7	354-107	1	Fitting-HYD, Tee
8	104-7201	1	Nut-HF
9	110-4112	1	Hose-Fuel
10	110-8806	1	Pump-Fuel
11	112-6388	1	Hose-Fuel
12	110-8817	1	Bracket-Pump, Fuel
13	323-13	1	Screw-HH

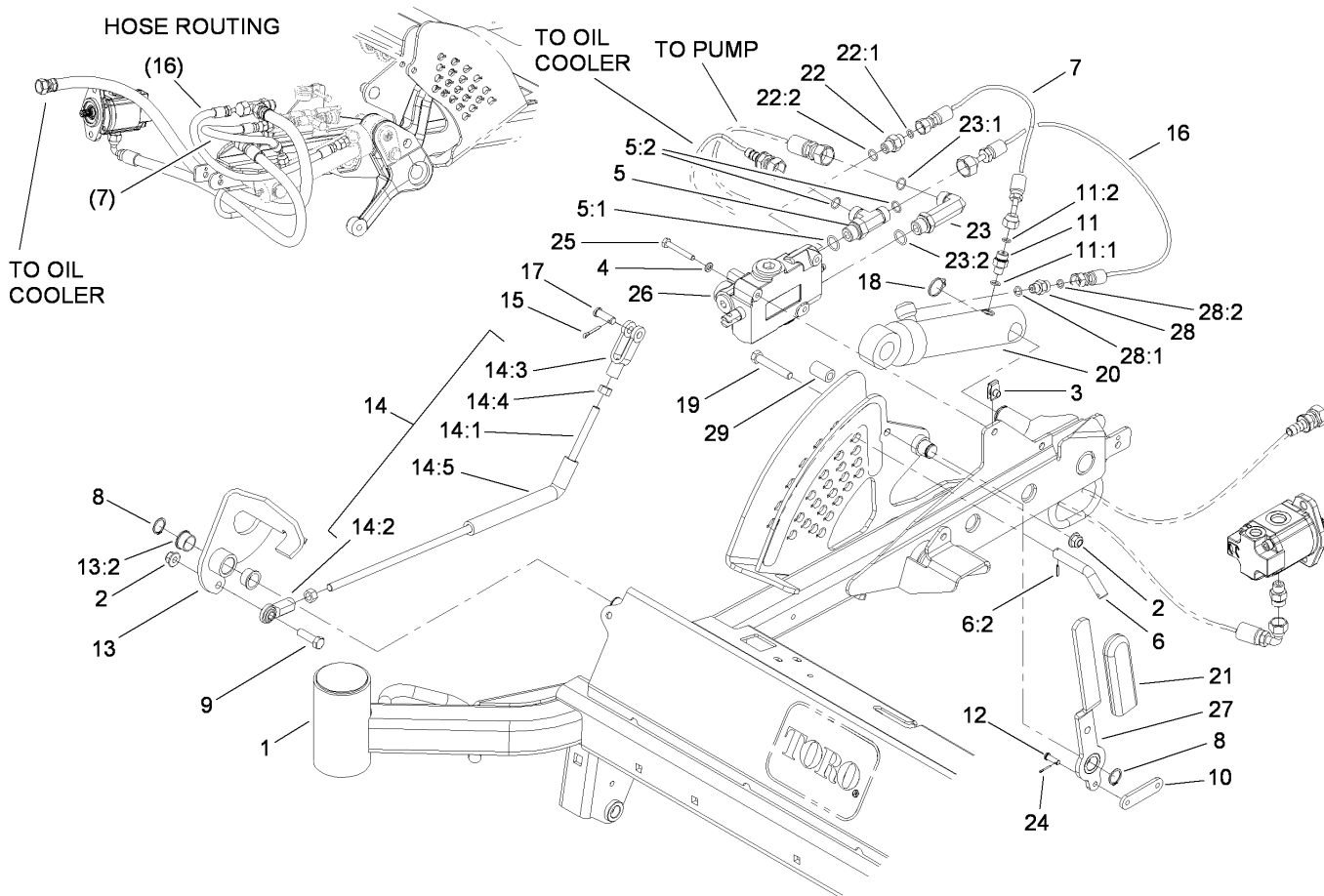
Ref	Part No.	Qty.	Description
15	92-2379	11	Clamp-Hose
16	3290-378	2	Tie-Cable
17	32149-8	3	Nut-Keps
18	32144-110	1	Screw-HWH
19	92-1239	1	Spacer-Support
20	2412-89	2	Clamp
21	110-8252	1	Decal-Instructions, Service
22	107-4543	4	Clamp
23	322-10	4	Screw-HH
24	104-8300	4	Nut-Flange, NI
25	110-5539	1	Spacer
26	105-6814	2	Washer-Plain
27	323-39	1	Screw-HH
28	104-8301	2	Nut-Flange, NI
29	110-5540-03	1	Cover-Toolbox
30	112-6349	6	Screw-HWH
31	110-9662	1	Hose-Fuel
32	108-2024	1	Hinge
33	3234-4	1	Screw-HHF
34	2412-137	1	Clamp-R, Double
35	3290-412	2	Rivet
36	3256-24	2	Washer-Flat
37	95-1905	2	Washer-Rubber
38	112-9561	4	Pad-Foam



Seat Assembly

Ref	Part No.	Qty.	Description
1	110-9774	1	Decal-Safety
2	104-7050	1	Housing-Manual
3	104-7048	1	Cap-Housing
4	2412-133	2	R-Clamp
5	108-5238-03	2	Angle-Latch
6	110-5512	1	Lever-Stop, Seat
7	108-5243	2	Lever-Latch
8	107-2272-03	1	Plate-Seat
9	107-2286	1	Seat ASM
10	3256-23	2	Washer-Flat
11	3256-25	2	Washer-Flat
12	3212-4	2	Screw-HH
13	108-5240	1	Latch ASM
14	237-164	1	Grommet
15	322-6	1	Screw-HH
16	100-4928	1	Belt-Seat
17	106-4048	1	Spring-Torsion
18	110-5513	1	Link-Seat
19	3230-2	4	Bolt-CARR
20	104-8300	9	Nut-Flange, NI
21	104-1429	1	Spacer-Plain
22	32144-14	2	Screw-HWHTF
23	112-1686	1	Pin-Clevis
24	105-7004	2	E-Ring

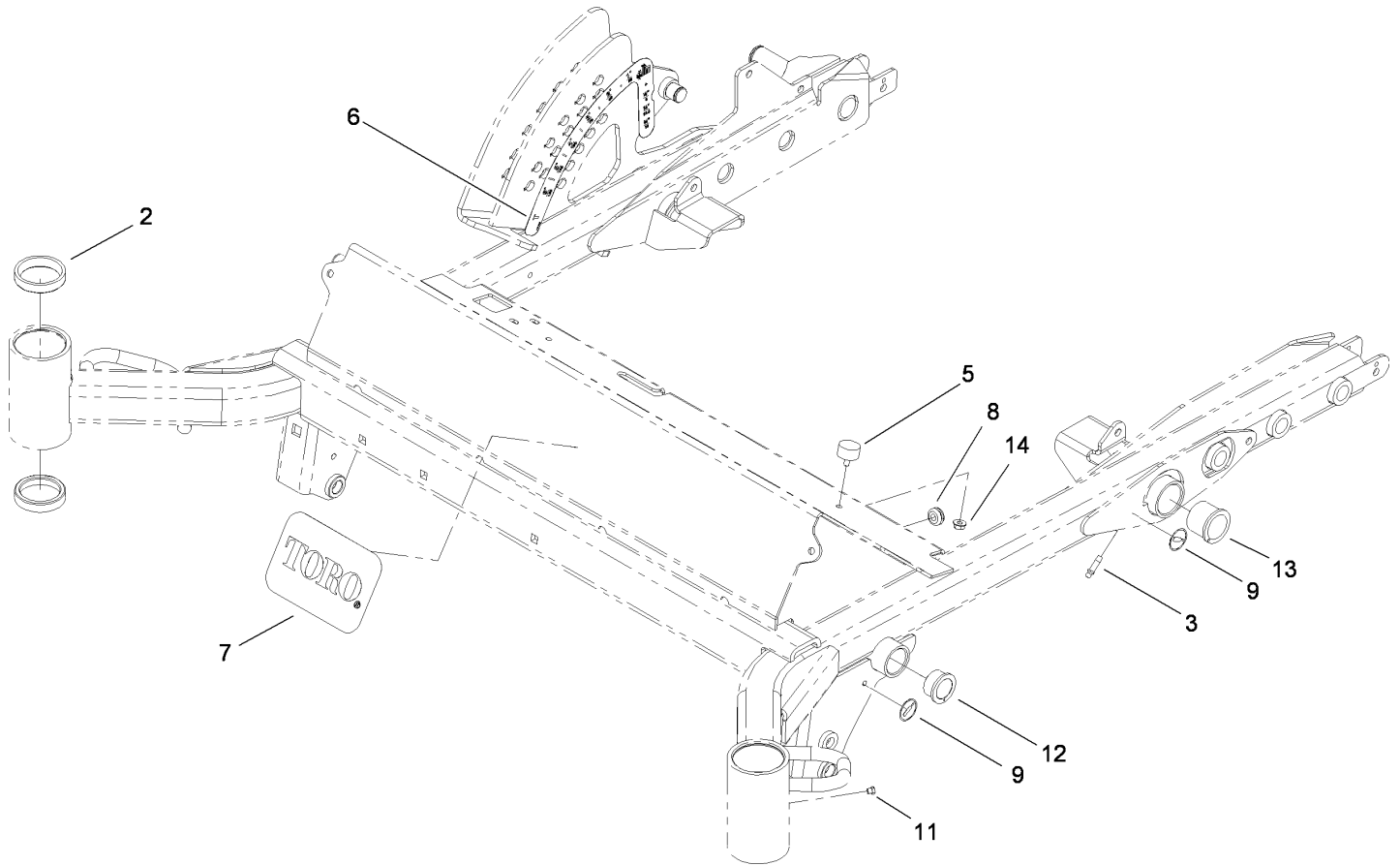
Ref	Part No.	Qty.	Description
25	99-7667	2	Washer-Flat



Carrier Frame and Valve Assembly

Ref	Part No.	Qty.	Description
1	112-1630	1	Carrier Frame ASM
2	104-8301	2	Nut-Flange, NI
3	107069	2	Clip
4	3253-3	2	Washer-Lock
5	340-109	1	Fitting-HYD, Tee
5:1	237-79	1	O-Ring
5:2	237-30	2	O-Ring
6	112-1621	1	Pin-HOC
6:2	32121-107	1	Pin-Roll, Slotted
7	110-8966	1	Hose ASM
8	32120-72	2	Ring-Snap
9	323-7	1	Screw-HH
10	114-4042	1	Link
11	95-1639	1	Fitting-HYD
11:1	237-78	1	O-Ring
11:2	237-21	1	O-Ring
12	1-808265	2	Pin-Clevis
13	112-9534	1	Pedal ASM
13:2	256-252	2	Bearing-Flange
14	112-9539	1	Link ASM
14:1	112-9535	1	Rod-Threaded
14:2	103-0608	1	Joint-Ball, End
14:3	1-633131	1	Yoke-Linkage, Brake
14:4	3219-3	2	Nut-Hex

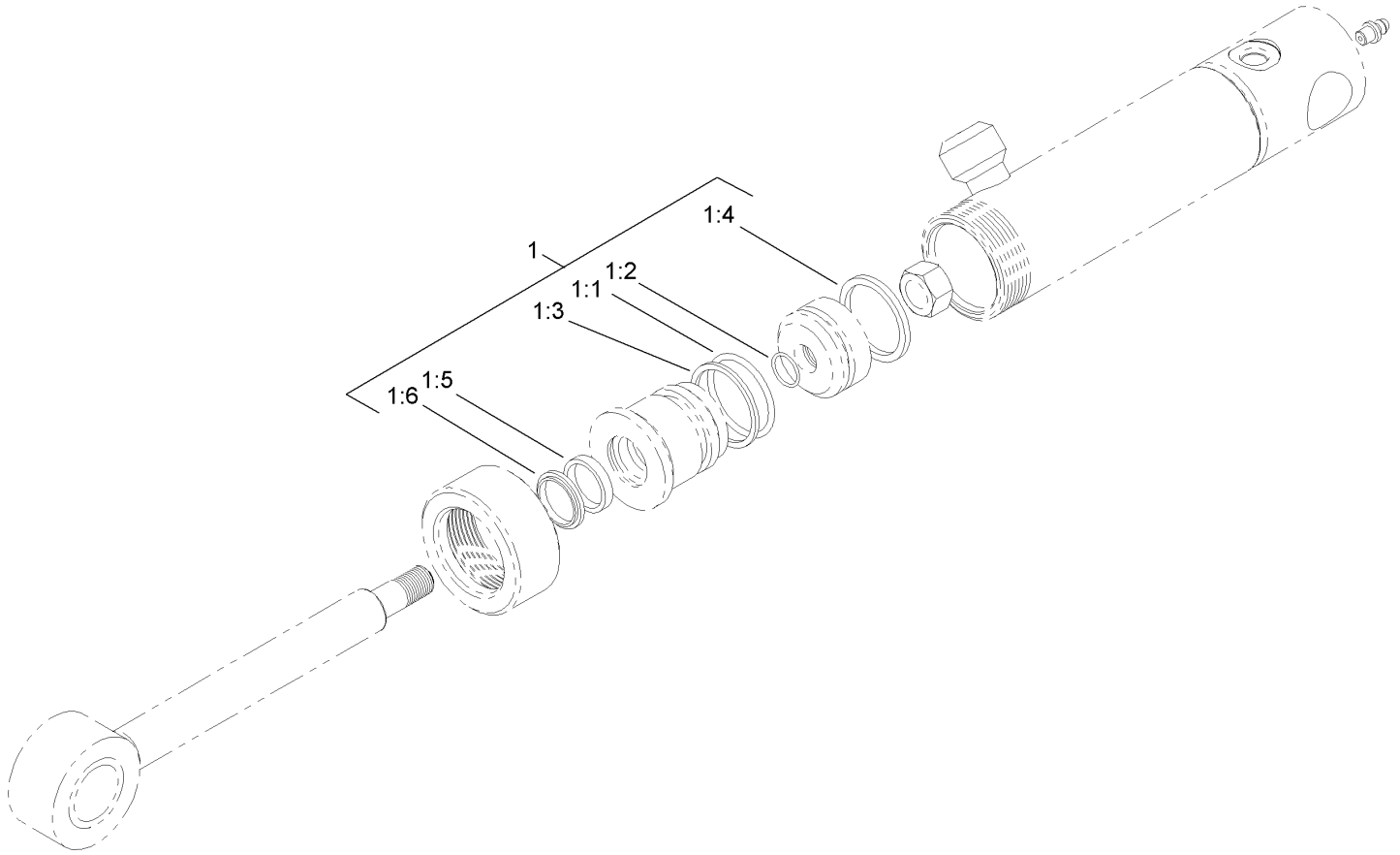
Ref	Part No.	Qty.	Description
14:5	114-4041	1	Hose-Foam
15	3272-10	1	Pin-Cotter
16	112-6324	1	Hose ASM
17	283-2	1	Pin-Clevis
18	32151-36	1	Ring-Retaining
19	323-11	1	Screw-HH
20	110-9834	1	Cylinder-HYD
21	1-633268	1	Grip-Lever, Brake
22	340-1	1	Adapter
22:1	237-21	1	O-Ring
22:2	237-42	1	O-Ring
23	99-6160	1	Fitting-Elbow, 90 DEG
23:1	237-30	1	O-Ring
23:2	237-79	1	O-Ring
24	3272-1	2	Pin-Cotter
25	321-18	2	Screw-HH
26	114-2877	1	Valve ASM
27	114-4027-03	1	Lever ASM
28	340-92	1	Fitting-HYD, Straight
28:1	237-78	1	O-Ring
28:2	237-21	1	O-Ring
29	93-6981	1	Spacer



Carrier Frame Assembly No. 112-1630

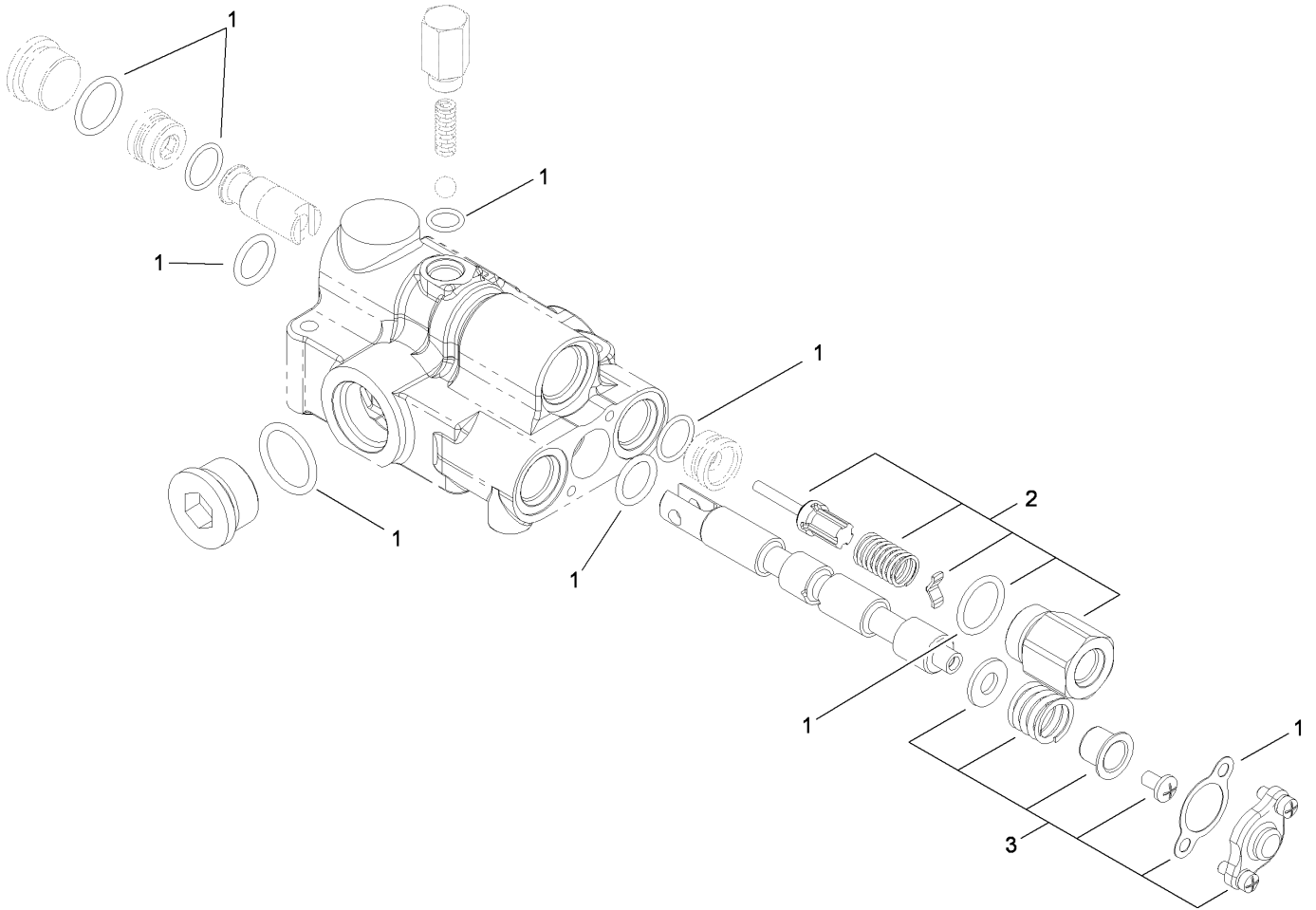
Ref	Part No.	Qty.	Description
2	254-107	4	Cup-Bearing, Tapered
3	302-64	2	Fitting-Grease
5	240-14	4	Bumper-Rubber
6	112-1620	1	Decal-HOC
7	99-4693	1	Decal
8	237-141	1	Grommet-Rubber
9	58-6520	4	Decal-Grease
11	1-811010	2	Plug
12	94-7574	2	Bushing-Flanged
13	256-268	2	Bushing
14	104-7201	4	Nut-HF

--	--	--	--



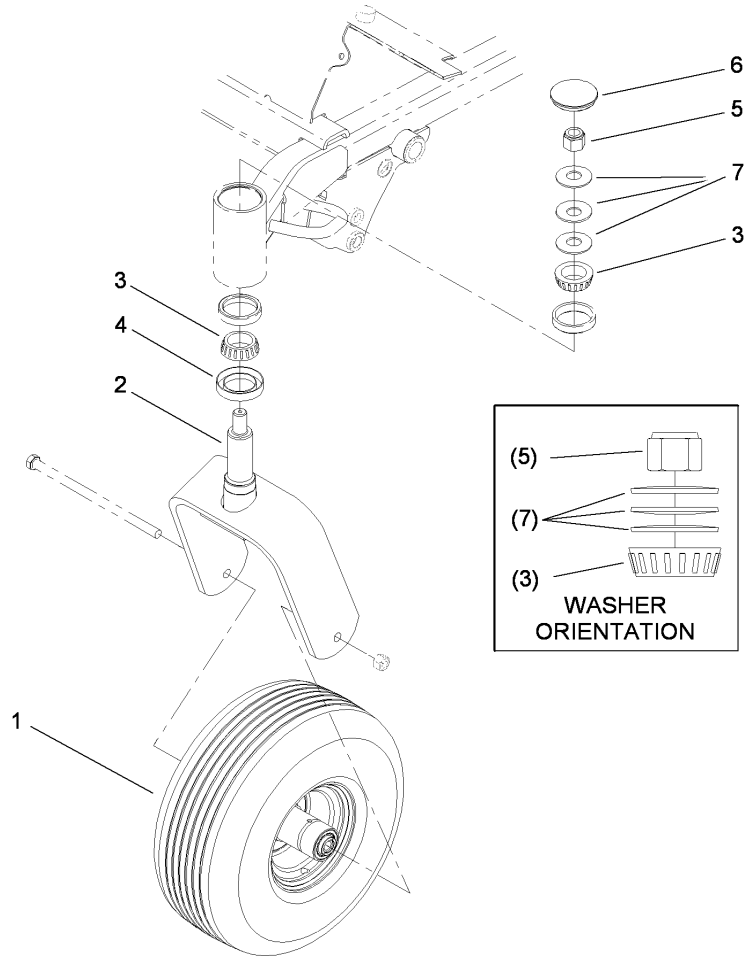
Hydraulic Cylinder Assembly No. 110-9834

Ref	Part No.	Qty.	Description
1	112-6353	1	Seal Kit
②1:1		1	O-Ring
②1:2		1	O-Ring
②1:3		1	Backup
②1:4		1	Seal-Bp
②1:5		1	Seal-Rod
②1:6		1	Seal-Dust



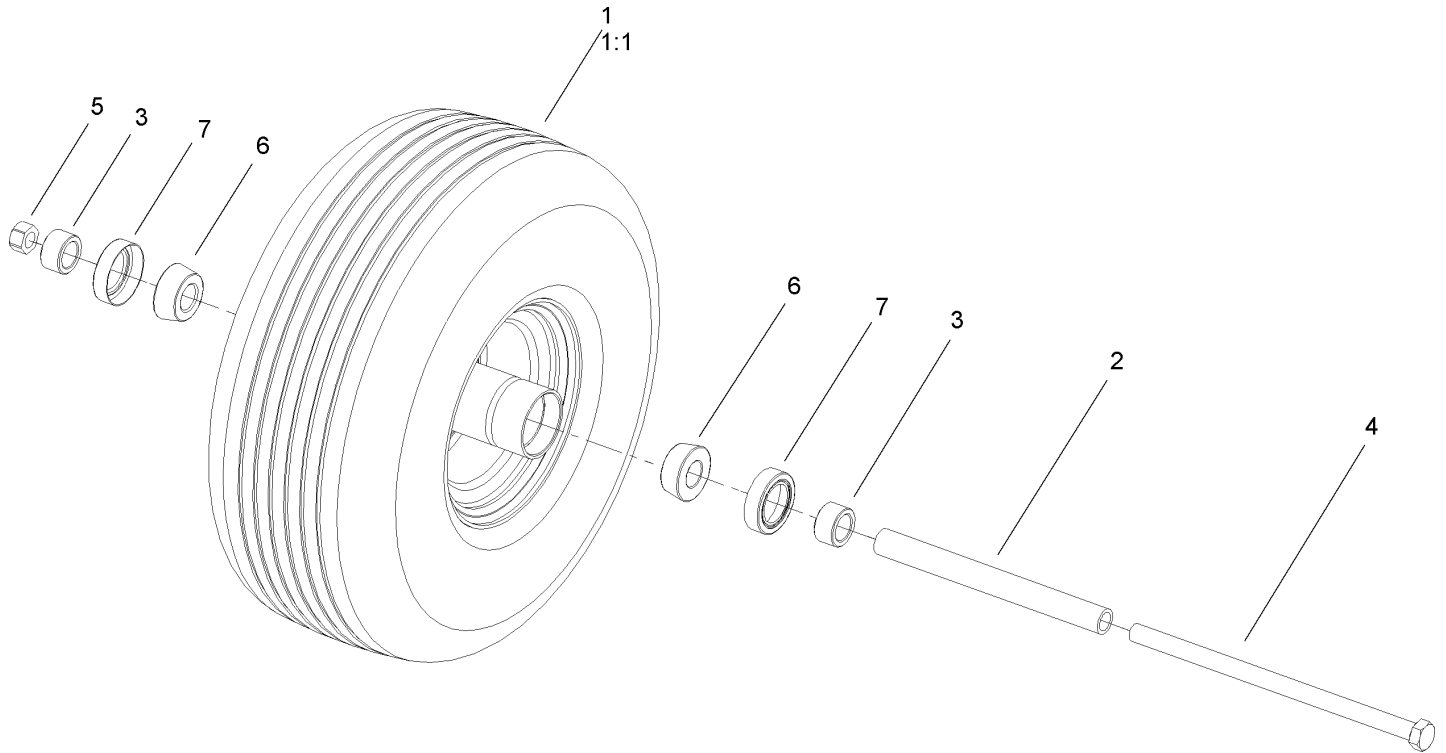
Hydraulic Valve Assembly No. 114-2877

Ref	Part No.	Qty.	Description
1	110-6442	1	Seal Kit
2	110-6441	1	Pilot Check Kit
3	114-2889	1	Spring Center Kit



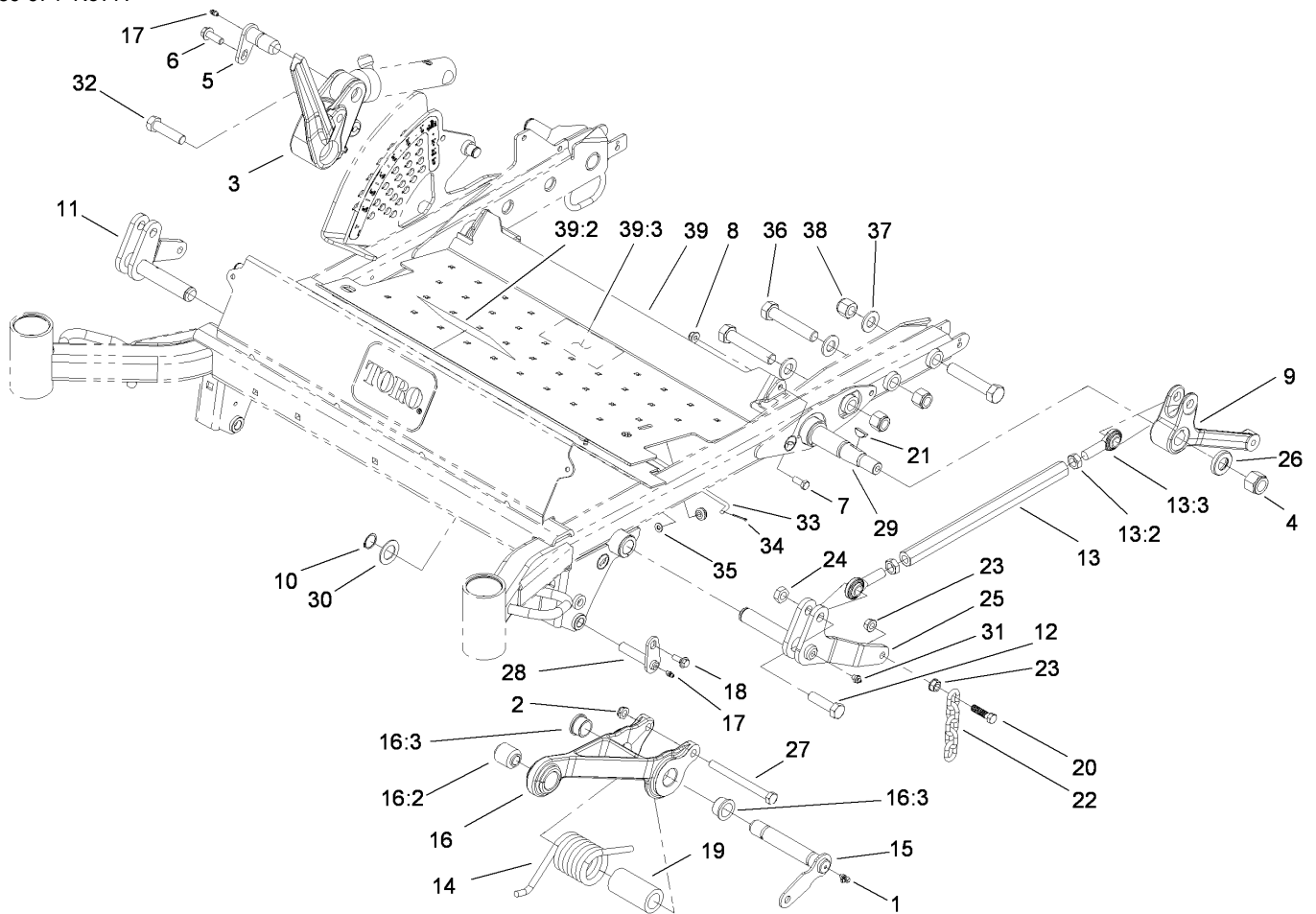
Caster Fork Assembly

Ref	Part No.	Qty.	Description
1	108-9954	2	Caster Wheel ASM
2	108-9946-03	2	Fork-Caster
3	254-106	4	Cone-Bearing, Tapered
4	69-2980	2	Seal
5	3296-51	2	Nut-Lock, NI
6	108-9950	2	Cap-Grease
7	108-9957	6	Washer-Belleville



Caster Wheel Assembly No. 108-9954

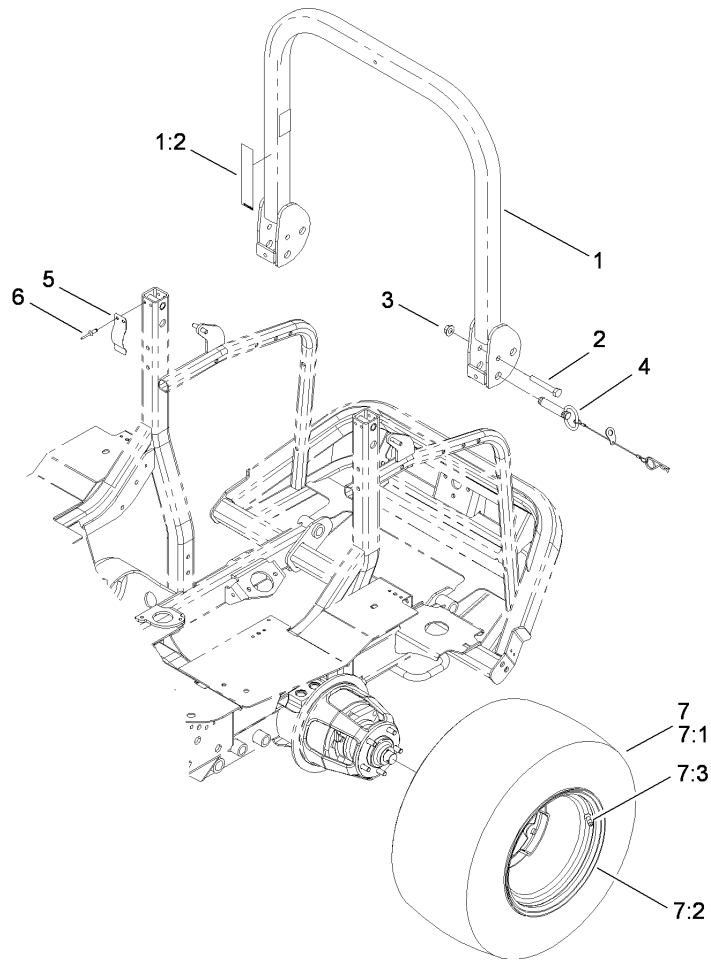
Ref	Part No.	Qty.	Description
1	108-9956	1	Tire And Wheel ASM
1:1	108-9955	1	Tire
2	1-633959	1	Spacer-Caster, Front
3	1-633581	2	Spacer-Bearing
4	325-39	1	Screw-HH
5	3296-25	1	Nut-Lock, NI
6	1-633585	2	Bearing-Cone, Taper
7	1-633580	2	Seal-Bearing



Deck Linkage Assembly

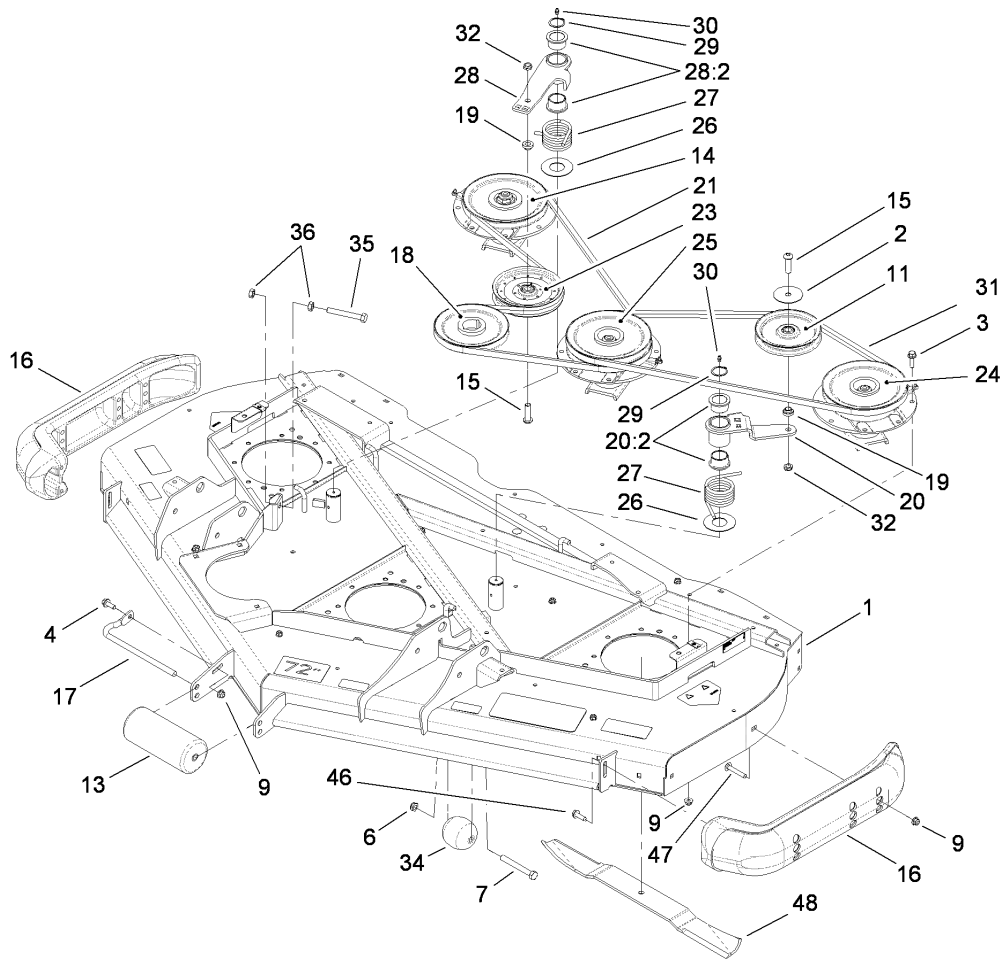
Ref	Part No.	Qty.	Description
1	302-60	4	Fitting-Grease, 90 DEG
2	3296-45	2	Nut-Lock, NI
3	112-1635-03	1	Arm-Lift, RH
4	94-8000	2	Nut-Hex
5	98-2654	1	Pivot Pin ASM
6	3234-15	1	Screw
7	323-5	2	Screw-HH
8	104-8301	2	Nut-Flange, NI
9	112-1637-03	1	Arm-Lift, LH
10	32151-29	2	Ring-Retaining
11	110-9820-03	1	RH Lift ASM
12	327-22	3	Screw-HH
13	114-4059	2	Link ASM
13:2	3220-6	2	Nut-Jam
13:3	1-633029	2	Balljoint-Spherical
14	110-9828	2	Spring-Torsion
15	112-1622	2	Pin
16	112-1625	2	Pull Link ASM
16:2	107-2328	1	Bushing
16:3	256-132	2	Bushing-Flange
17	302-5	3	Fitting-Grease
18	32144-41	2	Screw-Taptite
19	110-9845	2	Spacer-Plain
20	103-1898	4	Screw-HH

Ref	Part No.	Qty.	Description
21	3257-42	2	Key-Woodruff
22	1-633447	4	Chain-Lift, Deck
23	32128-37	6	Nut-HF
24	3296-61	3	Nut-Lock
25	110-9818-03	1	LH Lift ASM
26	112-9585	2	Washer-Hardened
27	325-22	2	Screw-HH
28	112-1602	2	Pin-Retainer
29	112-9522-03	1	Shaft-Lift, Deck
30	69-9010	2	Washer
31	302-2	2	Fitting-Grease
32	327-7	1	Screw-HH
33	110-9847	1	Rod-Prop
34	3272-6	1	Pin-Cotter
35	3256-22	1	Washer-Flat
36	328-7	5	Screw-HH
37	92-5836	5	Washer
38	3296-51	5	Nut-Lock, NI
39	114-4048	1	Floor Plate ASM
39:2	107-1866	1	Decal-Danger, Slope
39:3	112-1461	1	Decal-Routing, Belt



Roll-Over Protection System and Rear Wheel Assembly

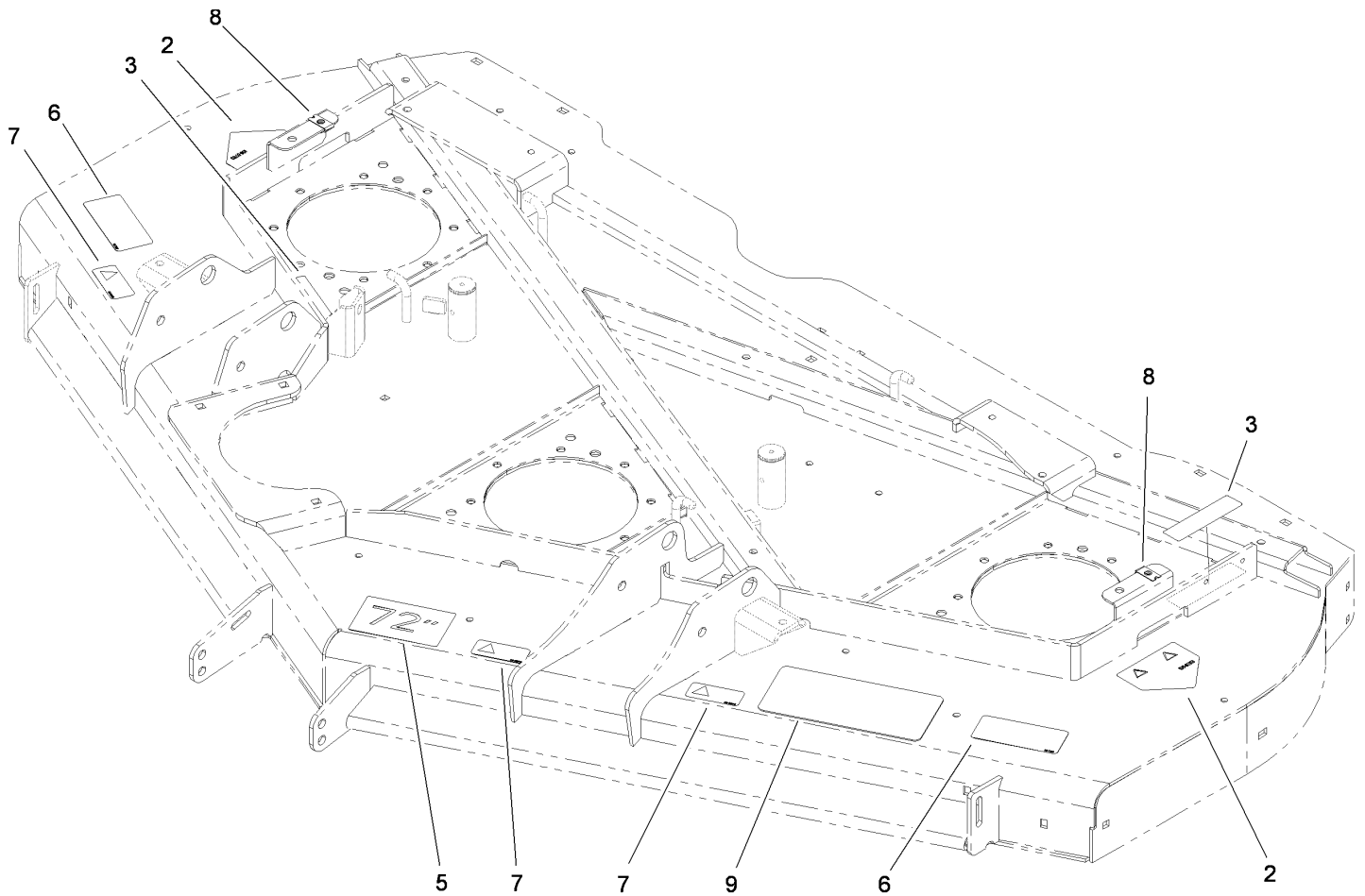
Ref	Part No.	Qty.	Description				
1	110-9770	1	Upper ROPS ASM				
1:2	107-3069	1	Decal-Warning, Folding ROPS (Ce)				
2	325-13	2	Screw-HH				
3	32128-23	2	Nut-HF				
4	103-4553	2	ROPS Fold Pin ASM				
5	110-5696	2	Spring-Leaf				
6	3290-412	4	Rivet				
7	106-7864	2	Tire And Wheel ASM				
7:1	106-7868	1	Tire				
7:2	87-6750	1	Wheel				
7:3	232-27	1	Stem-Valve				



Roller, Belt and Pulley Assembly

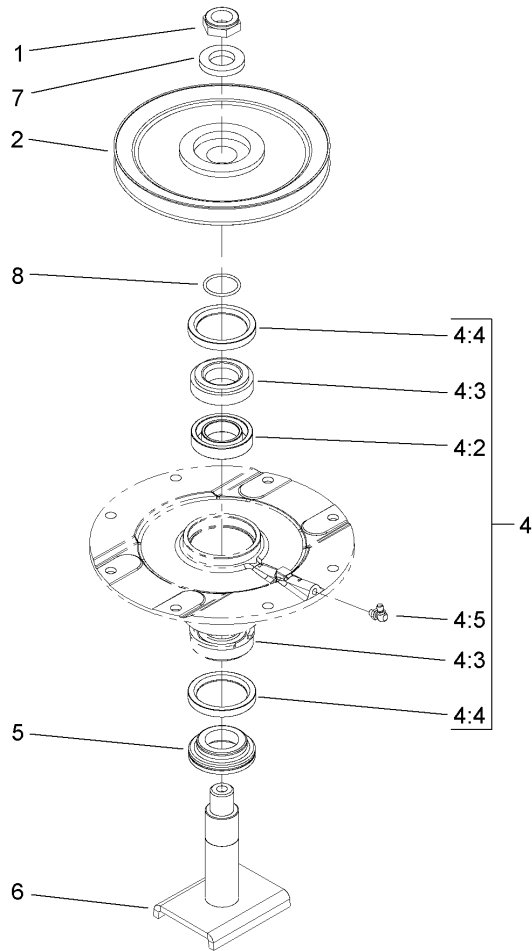
Ref	Part No.	Qty.	Description
1	108-9903	1	Deck ASM
2	100-3102	1	Washer-Flat
3	3234-24	24	Screw-HHF
4	3234-42	1	Screw-HHF
6	3296-45	2	Nut-Lock, NI
7	325-17	2	Screw-HH
9	104-8301	29	Nut-Flange, NI
11	01-268-0160	1	Pulley-Idler
13	68-6710	1	Roller
14	104-3532	1	Low Driven Spindle ASM
15	108-1993	2	Screw-HSBH
16	112-1479	2	Skid-Bumper, Deck
17	68-6840	1	Shaft-Roller
18	107-4725	1	Pulley
19	108-1924	2	Spacer-Idler
20	110-3564	1	Idler Arm ASM
20:2	93-4510	2	Bushing-Caster
21	110-9592	1	Belt - V
23	110-9596	1	Pulley-Idler
24	104-3531	1	High Driven Spindle ASM
25	104-3530	1	Double Driven Spindle ASM
26	108-1926	2	Washer
27	108-1921	2	Spring-Torsion
28	108-1930	1	Idler Arm ASM

Ref	Part No.	Qty.	Description
28:2	93-4510	2	Bushing-Caster
29	32120-84	2	Ring-Snap, External
30	302-5	2	Fitting-Grease
31	110-9593	1	Belt - V
32	3296-45	2	Nut-Lock, NI
34	29-4820	2	Roller
35	325-14	1	Screw-HH
36	3218-5	2	Nut-Jam
46	9136144	2	Screw-HWHTF
47	3231-33	4	Screw-CARR
48	108-1958-03	3	Blade-Rotary
48	112-9586-03	3	Blade-Flat



Deck Decal Assembly No. 108-9903

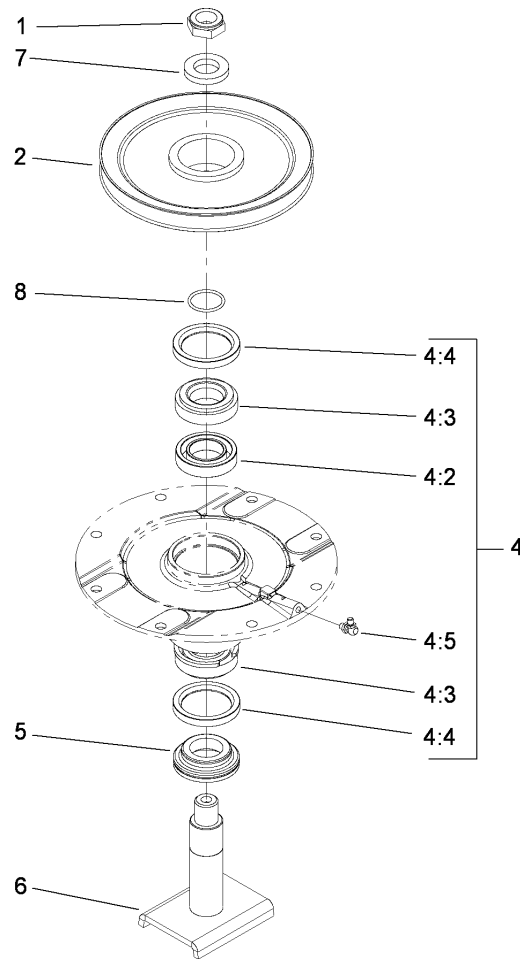
Ref	Part No.	Qty.	Description
2	106-6753	2	Decal-Danger, Ce
3	100-6578	2	Decal-Danger
5	57-0280	1	Decal
6	93-7818	2	Decal-Torque, Blade Bolt
7	93-6696	3	Decal-Warning
8	110-3510	4	Nut-Retainer
9	110-0988	1	Tread-Floor, Side



Low Driven Idler Assembly No. 104-3532

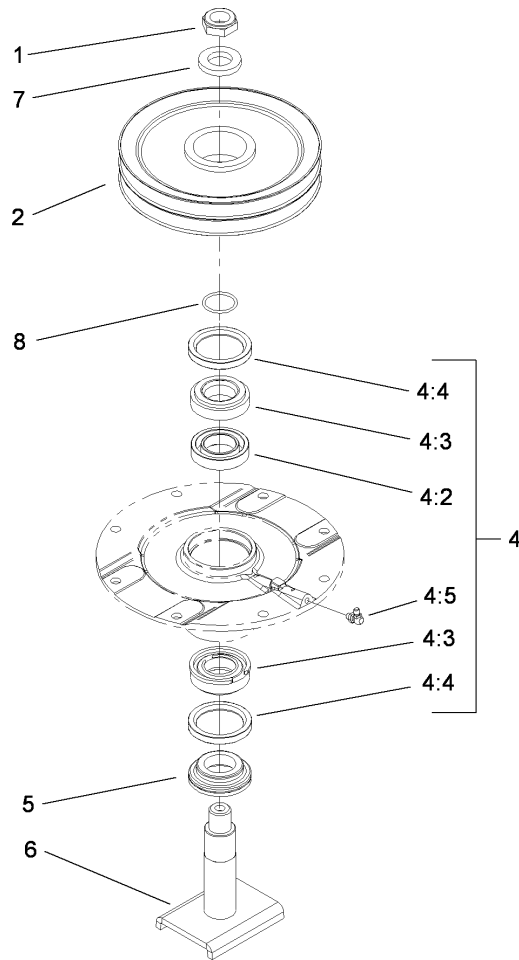
Ref	Part No.	Qty.	Description
1	3296-60	1	Nut-Lock, NI
2	104-3546	1	Pulley-Driven, Low
4	104-3552	1	Spindle Housing ASM
4:2	104-3549	1	Bearing Spacer Set
4:3	110-8297	1	Bearing ASM
4:4	253-154	2	Seal-Oil
4:5	302-60	1	Fitting-Grease, 90 DEG
5	69-6950	1	Spacer-Shaft, Spindle
6	104-3554	1	Spindle Shaft ASM
7	104-8322	1	Washer-Hardened
8	106-7159	1	O-Ring

--	--	--	--



High Driven Spindle Assembly No. 104-3531

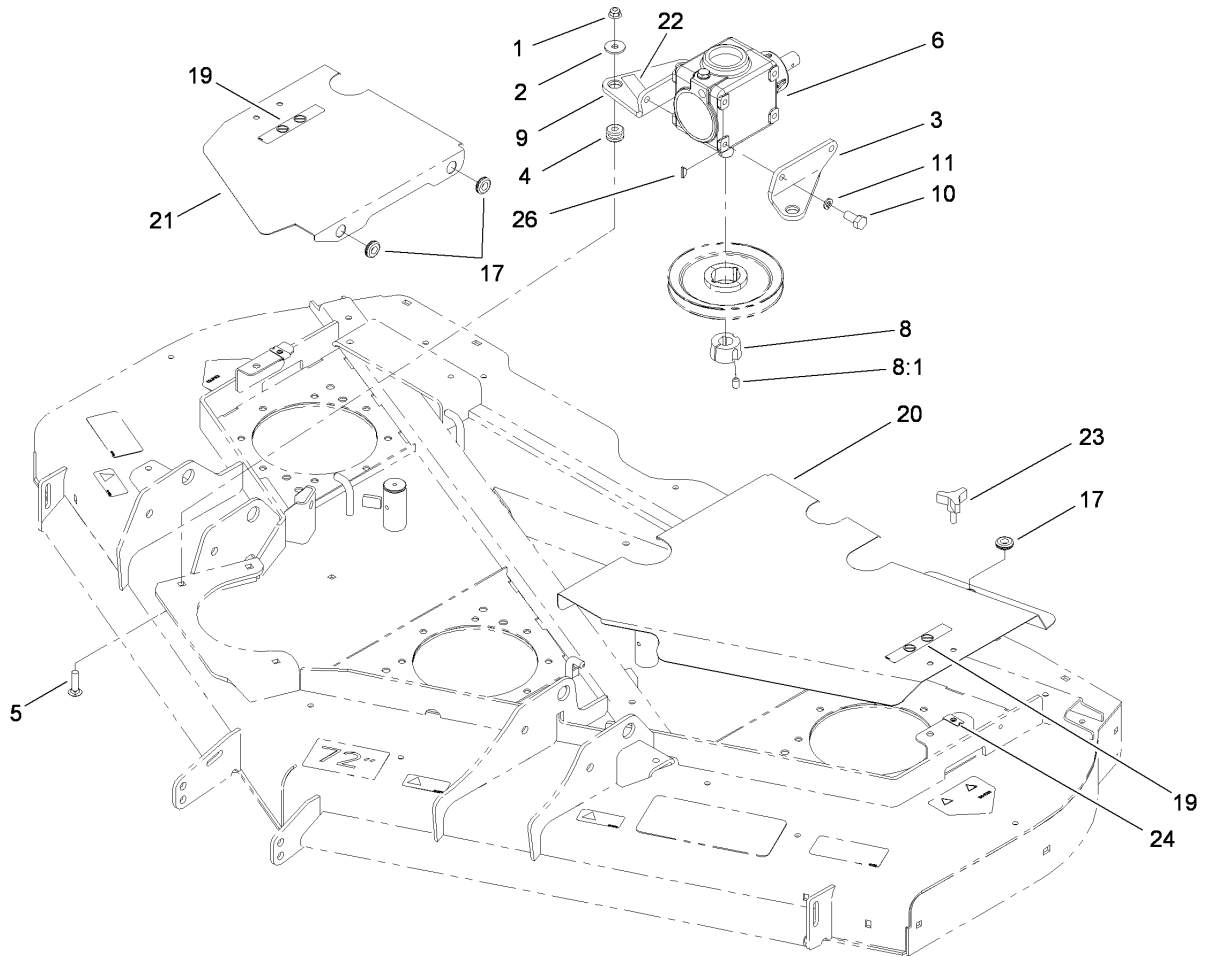
Ref	Part No.	Qty.	Description	
1	3296-60	1	Nut-Lock, NI	
2	104-3548	1	Pulley-Driven, High	
4	104-3552	1	Spindle Housing ASM	
4:2	104-3549	1	Bearing Spacer Set	
4:3	110-8297	1	Bearing ASM	
4:4	253-154	2	Seal-Oil	
4:5	302-60	1	Fitting-Grease, 90 DEG	
5	69-6950	1	Spacer-Shaft, Spindle	
6	104-3554	1	Spindle Shaft ASM	
7	104-8322	1	Washer-Hardened	
8	106-7159	1	O-Ring	



Double Driven Spindle Assembly No. 104-3530

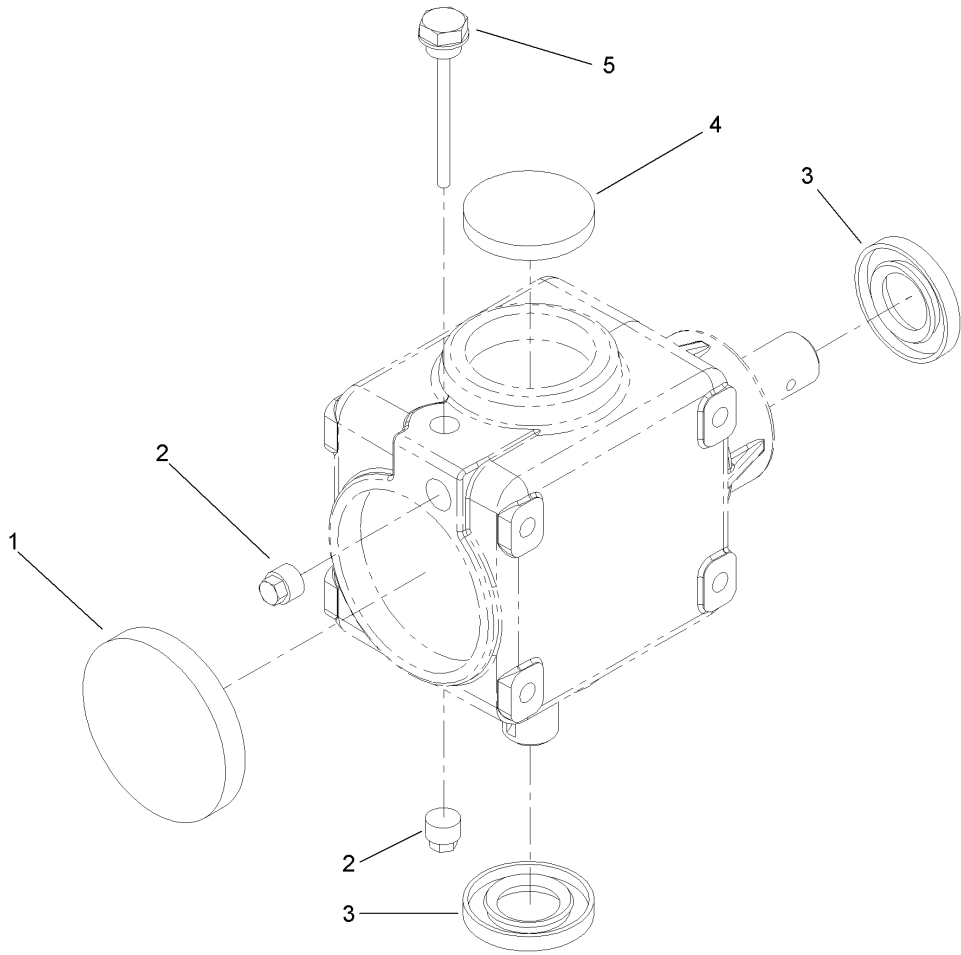
Ref	Part No.	Qty.	Description
1	3296-60	1	Nut-Lock, NI
2	104-3547	1	Pulley-Driven, Double
4	104-3552	1	Spindle Housing ASM
4:2	104-3549	1	Bearing Spacer Set
4:3	110-8297	1	Bearing ASM
4:4	253-154	2	Seal-Oil
4:5	302-60	1	Fitting-Grease, 90 DEG
5	69-6950	1	Spacer-Shaft, Spindle
6	104-3554	1	Spindle Shaft ASM
7	104-8322	1	Washer-Hardened
8	106-7159	1	O-Ring

--	--	--	--



Deck Cover and Gearbox Assembly

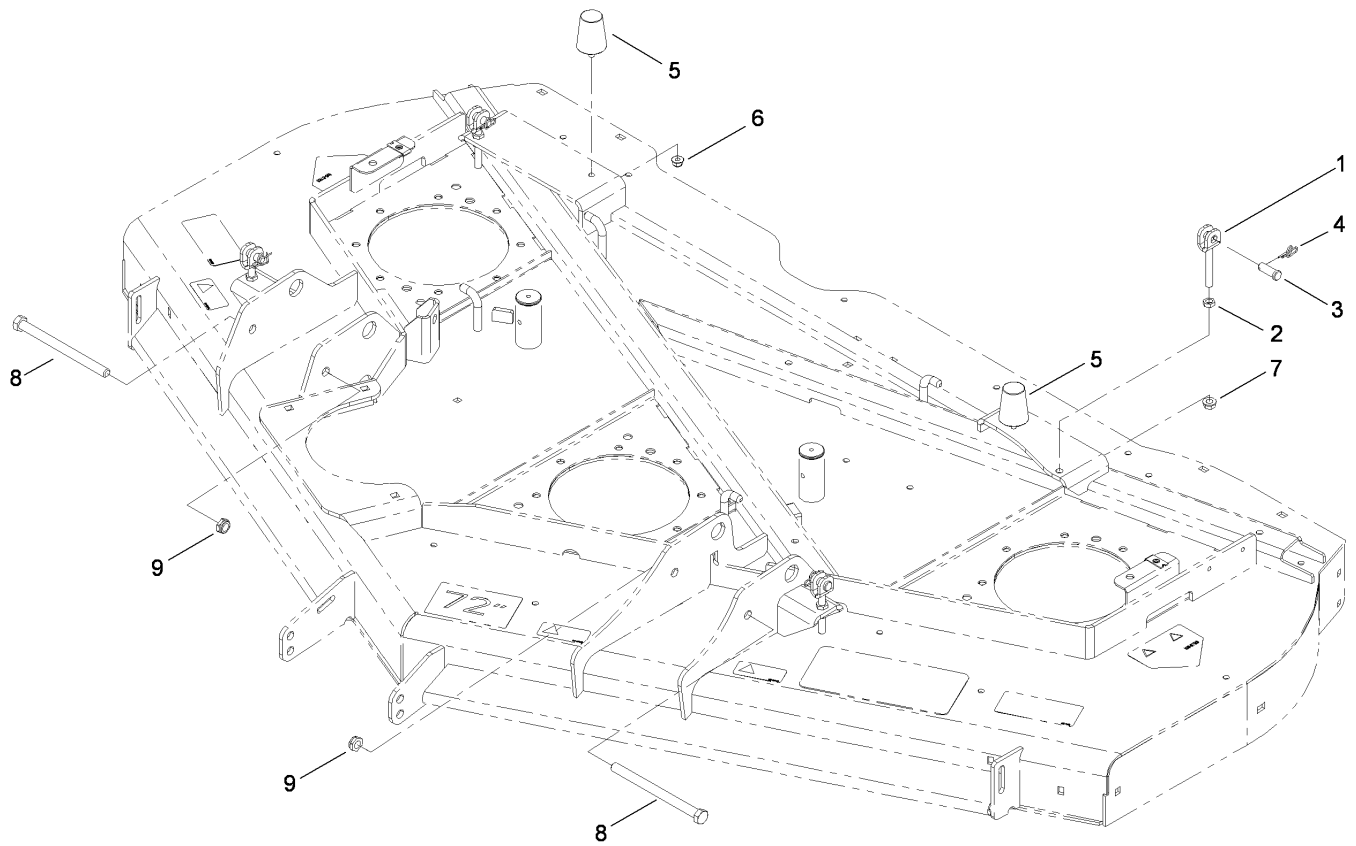
Ref	Part No.	Qty.	Description				
1	104-8301	3	Nut-Flange, NI				
2	63-8410	3	Washer				
3	110-6384-03	1	Bracket-Gearbox, LH				
4	63-9750	3	Mount				
5	3231-26	3	Screw-CARR				
6	110-6386-03	1	Gearbox				
8	23-1640	1	Bushing-Taperlock				
8:1	3247-4	2	Screw-Set				
9	110-6385-03	1	Bracket-Gearbox, RH				
10	323-4	4	Screw-HH				
11	3253-21	4	Washer-Lock				
17	112-9559	5	Grommet				
19	93-6687	2	Decal-No Step				
20	112-1450-03	1	Cover-Deck, LH				
21	112-1451-03	1	Cover-Deck, RH				
22	93-6697	1	Decal-Lube				
23	106-2240	2	Knob				
24	110-3510	2	Nut-Retainer				
26	3257-5	1	Key-Woodruff				



Gearbox Assembly No. 110-6386-03

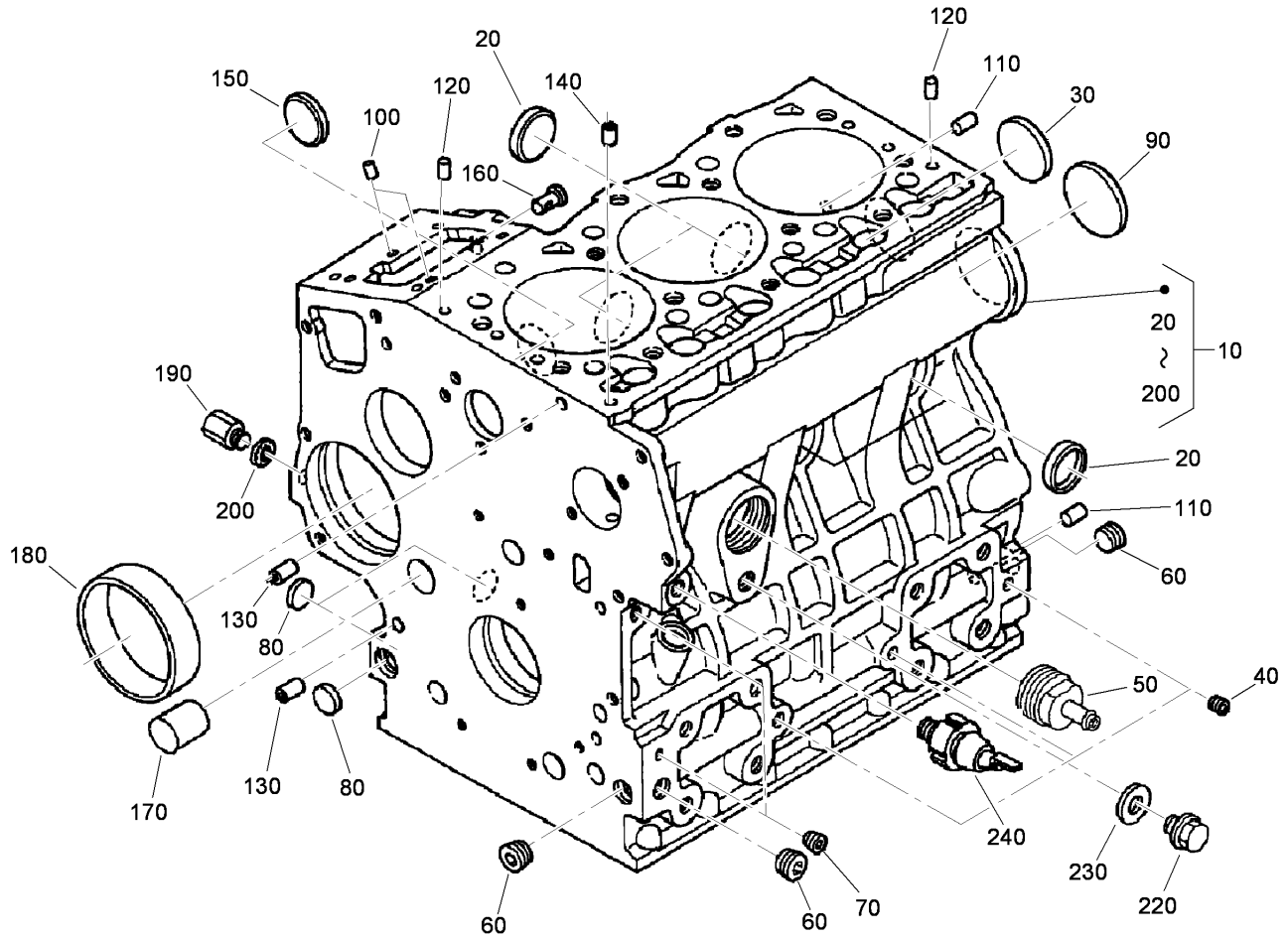
Ref	Part No.	Qty.	Description
1	107-2932	1	Cap-Oil
2	107-2933	2	Plug
3	107-2934	2	Seal-Oil
4	107-2935	1	Cap-Oil
5	110-8283	1	Plug-Filler, Dipstick

--	--	--	--



Deck Adjustment Link and Bumper Assembly

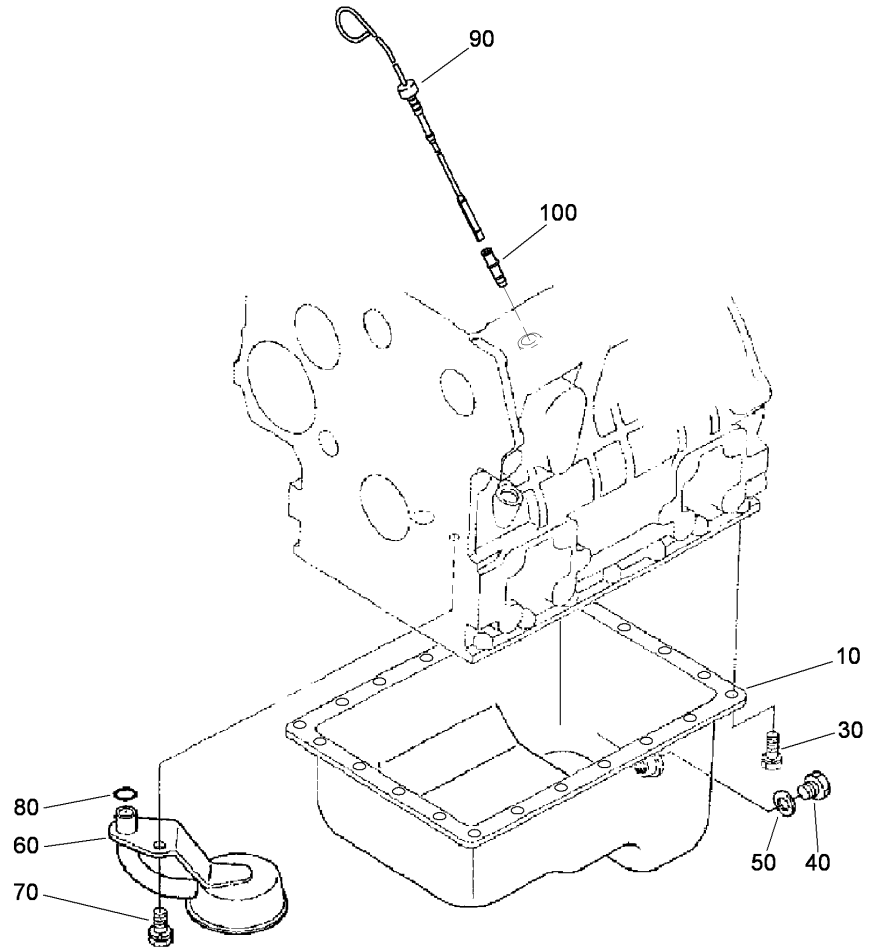
Ref	Part No.	Qty.	Description
1	112-1485	4	Clevis-Adjustment
2	3218-3	4	Nut-Jam
3	700601	4	Pin-Clevis
4	112-1491	4	Pin-Rue Ring
5	110-5070	2	Bumper-Neoprene
6	104-8300	2	Nut-Flange, NI
7	3290-357	4	Nut-HHF, Whiz
8	325-23	2	Screw-HH
9	3296-45	2	Nut-Lock, NI



Crankcase Assembly

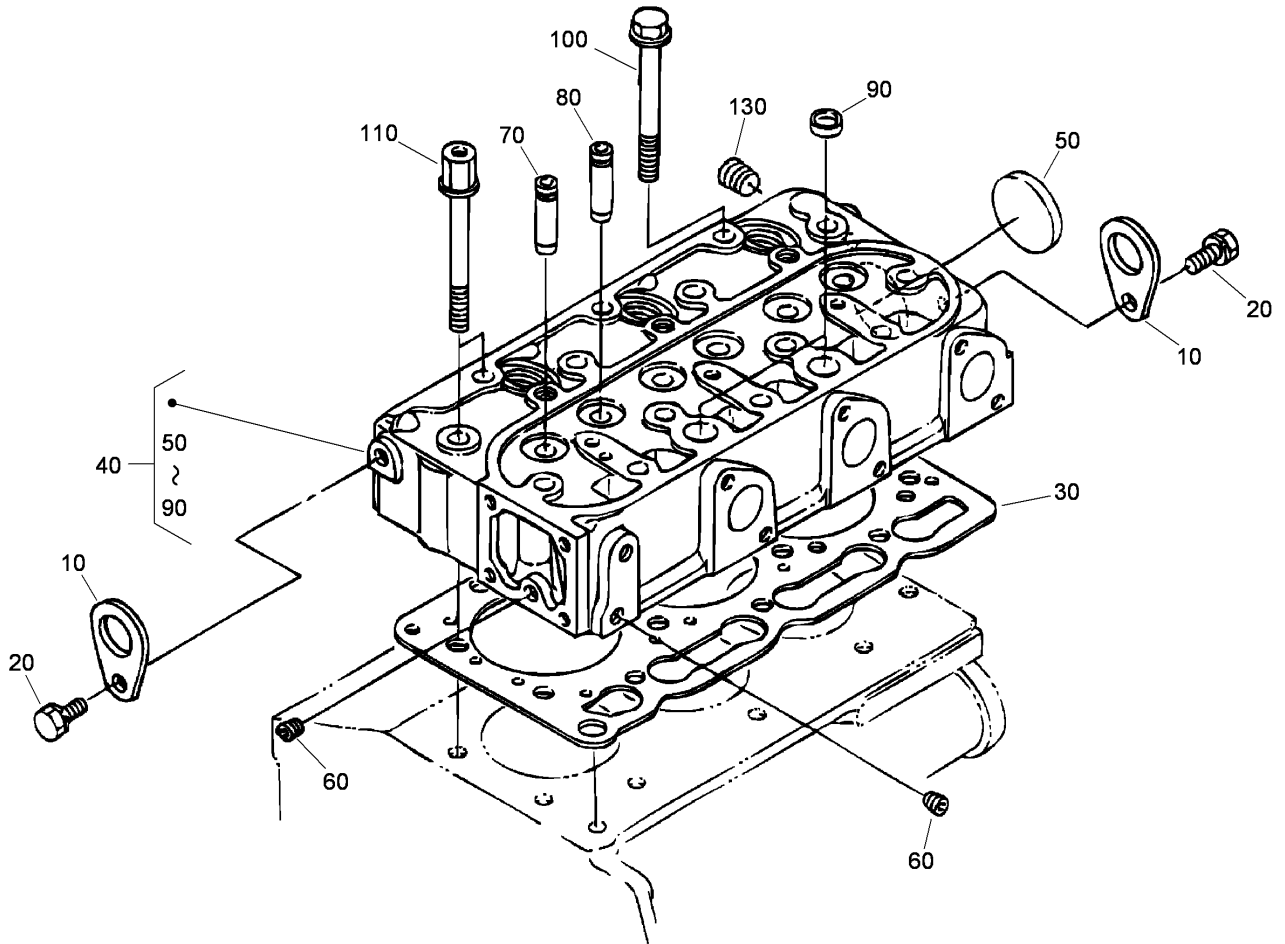
Ref	Part No.	Qty.	Description
10	112-7043	1	Crankcase ASM
20	98-9398	4	Cap-Sealing
30	98-7539	1	Cap-Sealing
40	98-7540	3	Plug
50	99-8347	1	Joint-Pipe, Drain
60	98-9597	3	Plug
70	98-7487	2	Plug
80	98-9379	3	Plug
90	98-9668	1	Plug
100	98-9375	2	Pin-Straight
110	98-9377	2	Pin-Straight
120	98-9376	2	Pin-Straight
130	98-9387	2	Pin-Pipe
140	98-9539	1	Pin-Pipe
150	98-9599	1	Plug
160	98-9630	1	Pin-Spring, Start
170	98-9675	1	Plug
180	98-9656	1	Bushing-Governor, Gear
190	98-7507	1	Plug
200	98-7428	1	Gasket
220	99-3447	1	Plug
230	106-7056	1	Gasket
240	98-9416	1	Switch-Oil

--	--	--	--



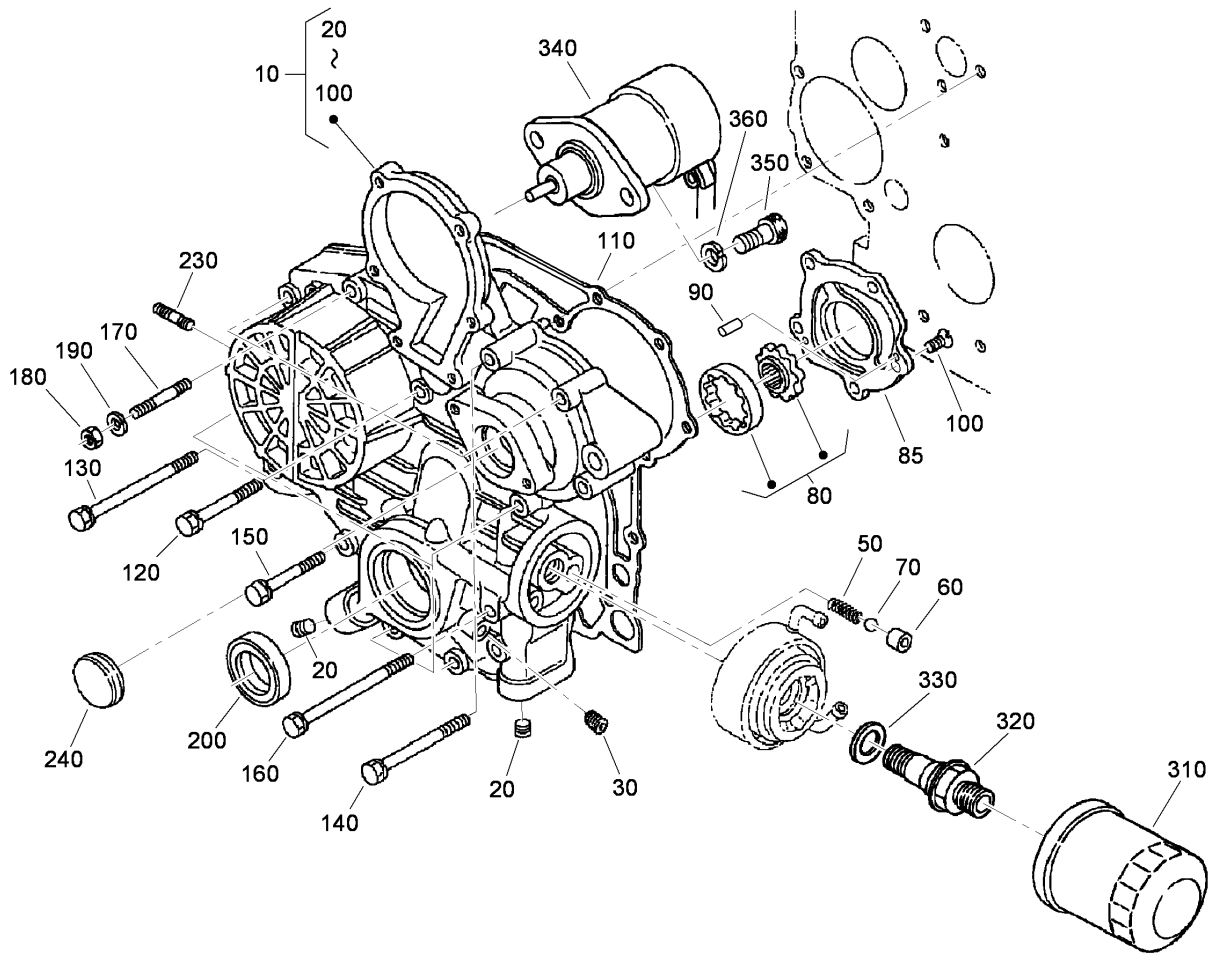
Oil Pan Assembly

Ref	Part No.	Qty.	Description
10	112-0179	1	Pan-Oil
30	98-9351	22	Bolt
40	114-8151	1	Plug-Drain
50	98-7524	1	Gasket
60	112-7044	1	Head-Filter
70	98-7526	1	Bolt
80	105-3776	1	O-Ring
90	107-9076	1	Gauge-Oil
100	105-4580	1	Guide



Cylinder Head Assembly

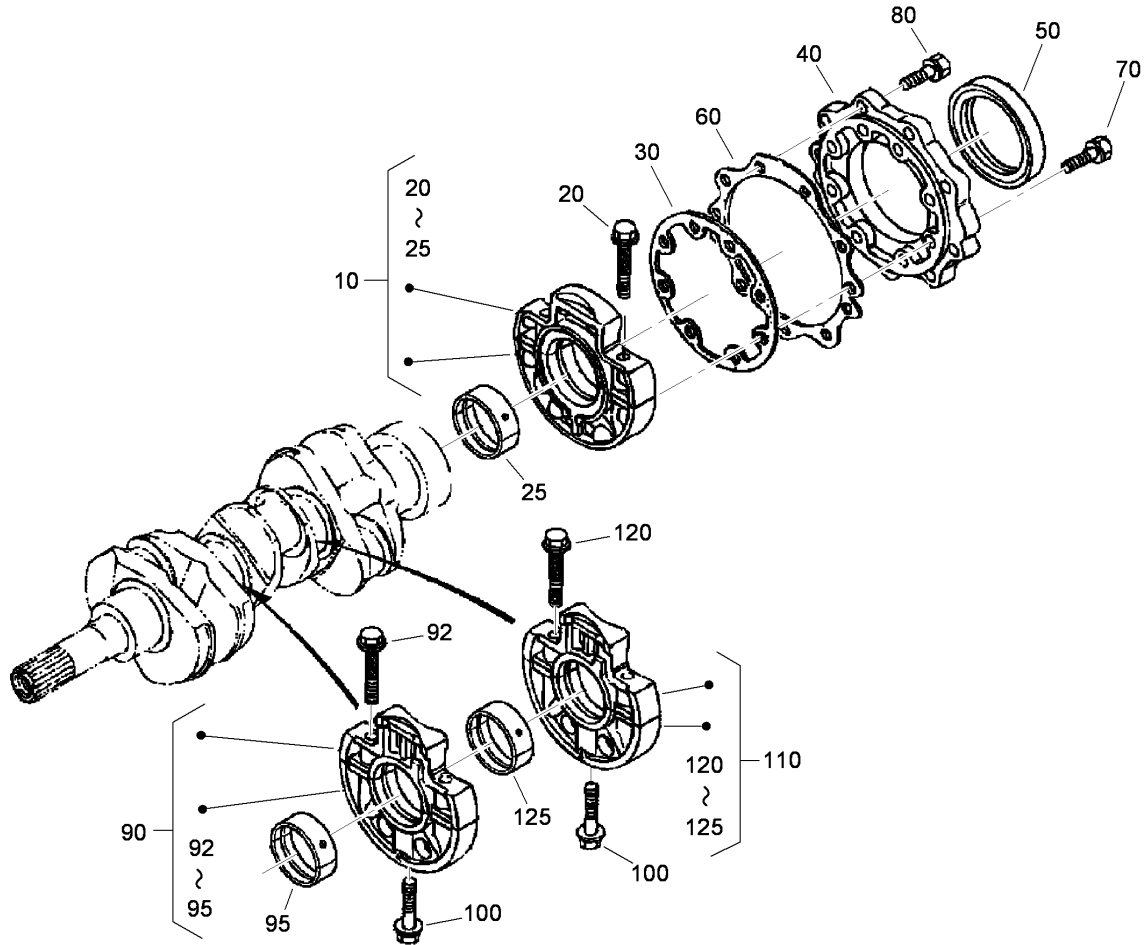
Ref	Part No.	Qty.	Description				
10	98-7531	2	Hook-Engine				
20	100-9195	2	Bolt				
30	108-6573	1	Gasket-Head, Cylinder				
40	107-7823	1	Cylinder Head ASM				
50	105-3705	1	Cap-Sealing				
60	98-7540	2	Plug				
70	107-9066	3	Guide-Valve, Inlet				
80	107-9067	3	Guide-Valve, Exhaust				
90	98-9389	2	Cap-Sealing				
100	98-9479	12	Bolt-Head, Cylinder				
110	98-9647	2	Bolt-Head, Cylinder				
130	98-9444	1	Plug				



Gear Case Assembly

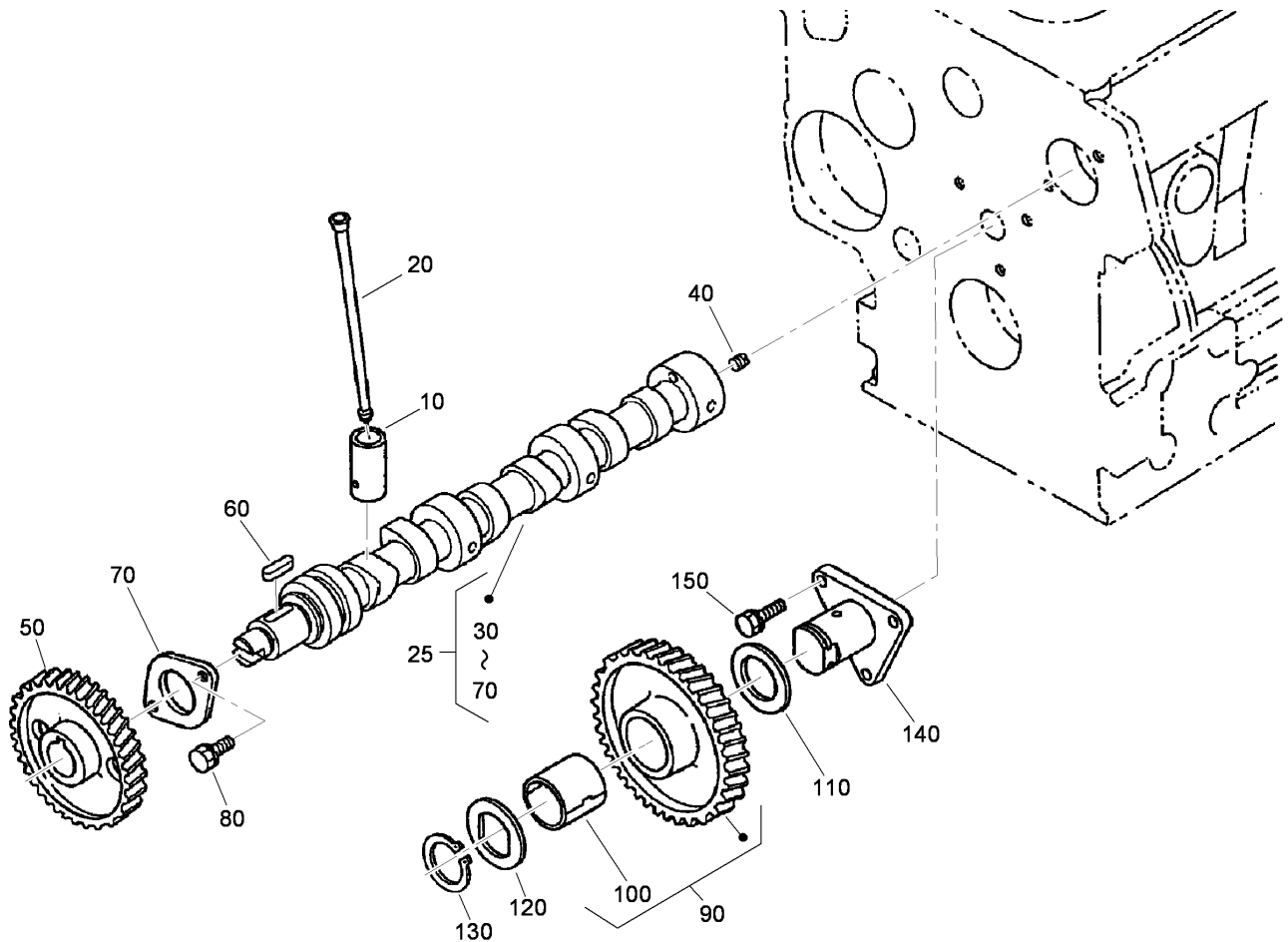
Ref	Part No.	Qty.	Description
10	115-4111	1	Gear Case ASM
20	98-9598	2	Plug
30	98-7487	1	Plug
50	98-9544	1	Spring
60	98-9543	1	Seat-Valve
70	98-9380	1	Ball
80	98-9540	1	Oil Pump Rotor ASM
85	107-9069	1	Cover-Pump, Oil
90	107-9072	2	Pin-Straight
100	107-9071	5	Screw
110	98-9633	1	Gasket-Case, Gear
120	98-7496	3	Bolt
130	105-3797	4	Bolt
140	98-9356	4	Bolt
150	107-9074	1	Bolt
160	98-9586	2	Bolt
170	105-3709	1	Stud
180	98-7572	1	Nut
190	98-7699	1	Washer-Spring
200	98-9482	1	Seal-Oil
230	105-3710	2	Stud
240	98-9641	1	Cover
310	108-3841	1	Filter-Oil
320	104-5159	1	Holder ASM

Ref	Part No.	Qty.	Description
330	98-9727	1	Collar
340	104-5155	1	Solenoid-Stop
350	115-3039	2	Bolt-HSH
360	98-7699	2	Washer-Spring



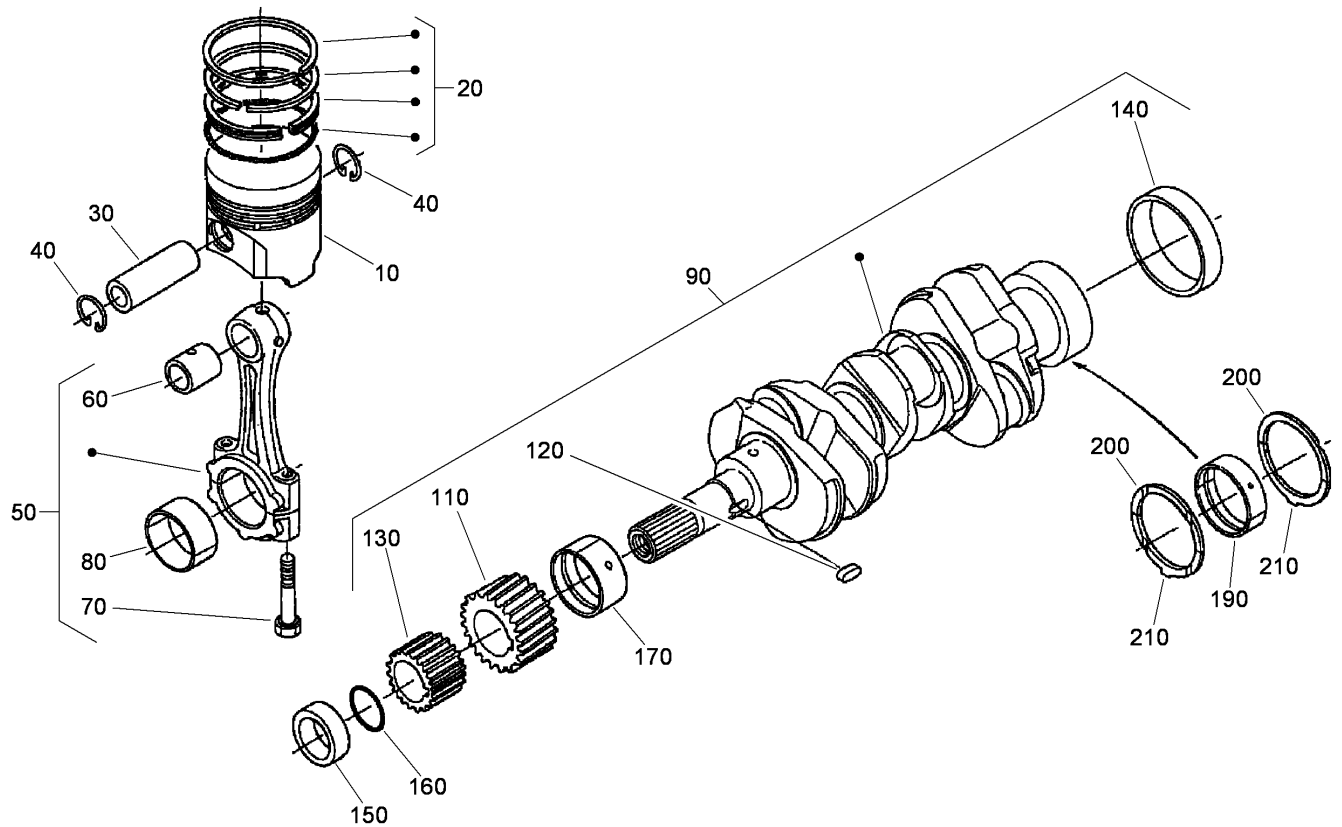
Main Bearing Case Assembly

Ref	Part No.	Qty.	Description
10	112-7026	1	Wheel Bearing Case ASM
20	98-9484	2	Bolt-Case, Bearing
25	112-7045	1	Metal-Crankshaft
25	112-7039	1	Metal-Crankshaft
25	112-7040	1	Metal-Crankshaft
30	98-9634	1	Gasket-Case, Bearing
40	112-7046	1	Cover-Case, Bearing
50	112-0180	1	Seal-Oil
60	112-7037	1	Gasket-Cover, Case
70	98-9352	8	Bolt
80	98-7568	9	Bolt
90	112-7028	1	Bearing ASM
92	98-9484	2	Bolt-Case, Bearing
95	112-7011	1	Bearing-Main (STD)
95	112-7012	1	Metal-Crankpin, -0.2Mm
95	112-7013	1	Metal-Crankpin, -0.4Mm
100	98-9485	2	Bolt-Case, Bearing
110	112-7027	1	Bearing ASM
120	98-9484	2	Bolt-Case, Bearing
125	112-7011	1	Bearing-Main (STD)
125	112-7012	1	Metal-Crankpin, -0.2Mm
125	112-7013	1	Metal-Crankpin, -0.4Mm



Camshaft and Idle Gear Shaft Assembly

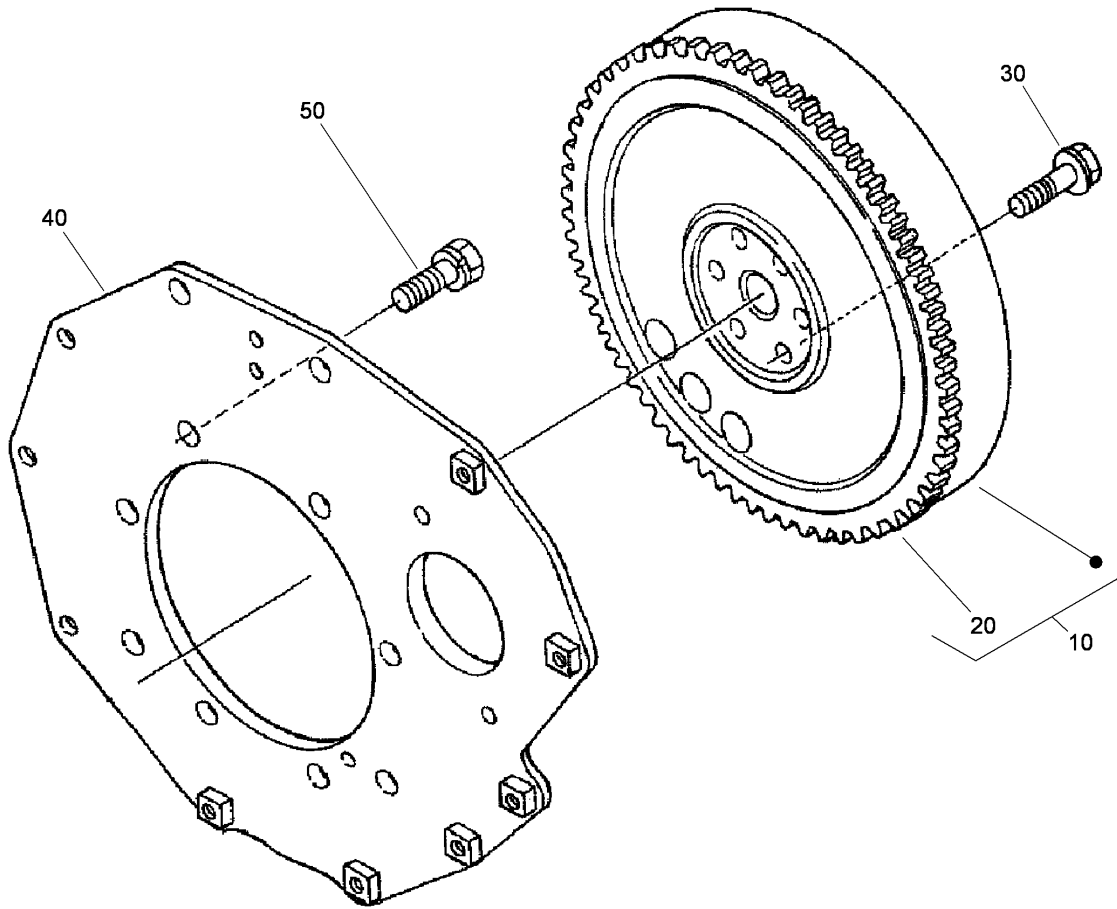
Ref	Part No.	Qty.	Description
10	112-0185	6	Tappet
20	98-9509	6	Rod-Push
25	112-7029	1	Camshaft ASM
30	108-1403	1	Camshaft
40	98-7449	1	Screw-Set
50	98-9512	1	Gear-Cam
60	98-9378	1	Key-Feather
70	98-9510	1	Stopper-Camshaft
80	98-7692	2	Bolt
90	98-9649	1	Idle Gear ASM
100	98-9650	1	Bushing-Gear, Idle
110	98-9535	1	Collar-Gear, Idle
120	98-9536	1	Collar-Gear, Idle
130	98-9534	1	Clip-Circular, Idle Gear
140	98-9533	1	Shaft-Gear, Idle
150	98-7692	3	Bolt



Piston and Crankshaft Assembly

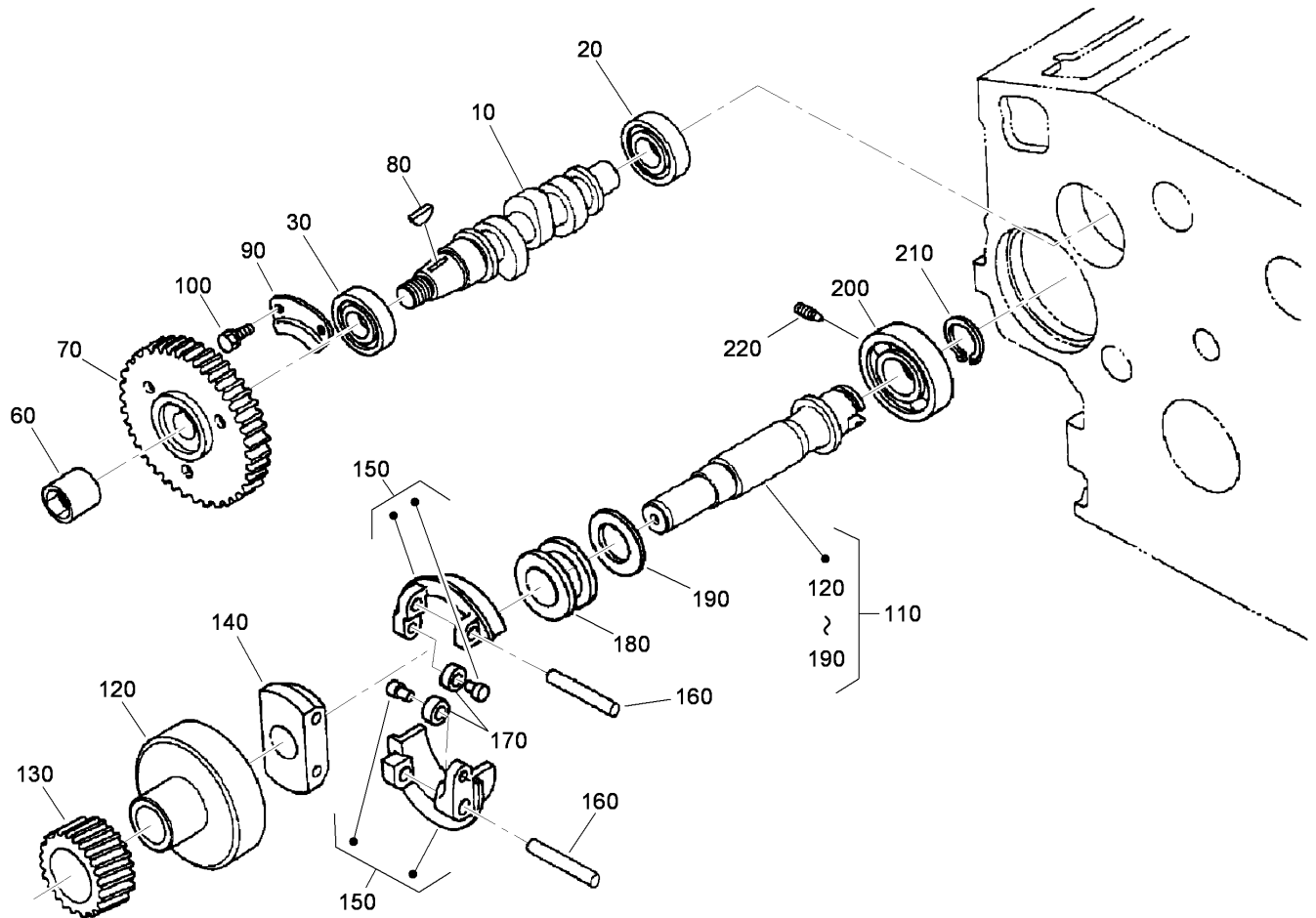
Ref	Part No.	Qty.	Description
10	98-9550	3	Piston (STD)
10	108-1417	3	Piston, 0.5Mm
20	98-9551	3	Piston Ring ASM (STD)
20	108-1404	3	Piston Ring ASM (0.5Mm)
30	98-9513	3	Pin-Piston
40	98-9514	6	Clip-Circular, Piston Pin
50	98-9552	3	Connecting Rod ASM
60	115-3014	3	Bushing-Piston Pin
70	98-9517	6	Bolt-Rod, Connecting
80	98-9553	3	Bearing-Rod (STD)
80	108-1405	3	Metal-Crankpin, -0.2Mm
80	108-1406	3	Metal-Crankpin, -0.4Mm
90	98-9642	1	Crankshaft ASM
●100	110-3729	3	Ball
110	98-9532	1	Gear-Crankshaft
120	98-9666	1	Key
130	98-9542	1	Gear-Drive, Oil Pump
140	98-9522	1	Sleeve-Crankshaft
150	98-9521	1	Collar-Crankshaft
160	105-3783	1	O-Ring
170	112-7005	1	Bearing-Main (STD)
170	112-7009	1	Metal-Crankpin, -0.2Mm
170	112-7010	1	Metal-Crankpin, -0.4Mm
●180	112-7011	2	Bearing-Main (STD)

Ref	Part No.	Qty.	Description
●180	112-7012	2	Metal-Crankpin, -0.2Mm
●180	112-7013	2	Metal-Crankpin, -0.4Mm
190	112-7045	1	Metal-Crankshaft
190	112-7039	1	Metal-Crankshaft
190	112-7040	1	Metal-Crankshaft
200	98-9413	2	Bearing-Thrust (STD)
200	98-9414	2	Bearing-Thrust (0.2Mm)
200	98-9415	2	Bearing-Thrust (0.4Mm)
210	98-9688	2	Bearing-Thrust (STD)
210	98-9689	2	Bearing-Thrust (0.2Mm)
210	98-9690	2	Bearing-Thrust (0.4Mm)



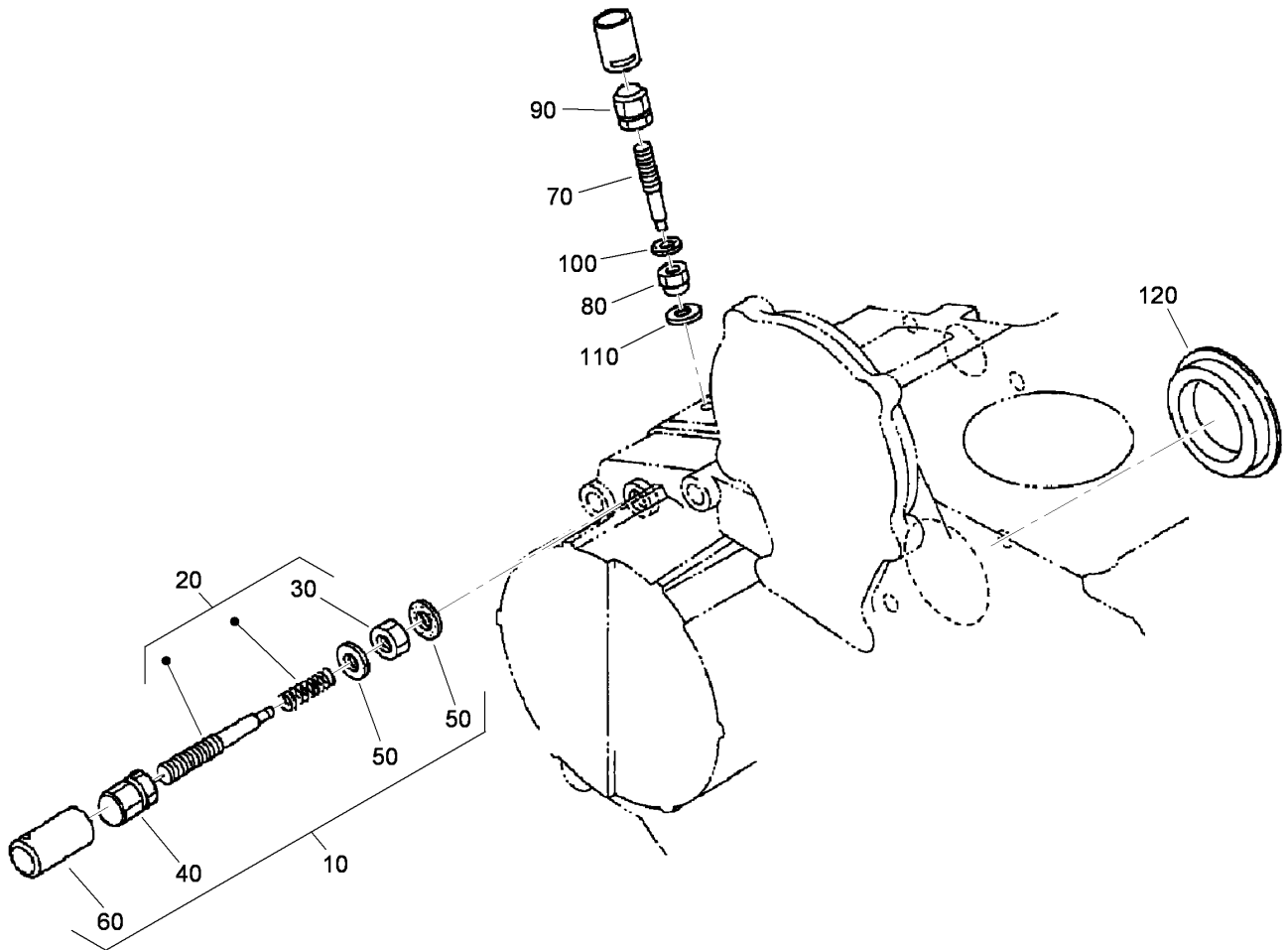
Flywheel Assembly

Ref	Part No.	Qty.	Description
10	105-3784	1	Flywheel ASM
20	115-3015	1	Gear-Ring
30	98-9537	6	Bolt-Flywheel
40	98-9486	1	Plate-End, Rear
50	98-9392	8	Bolt



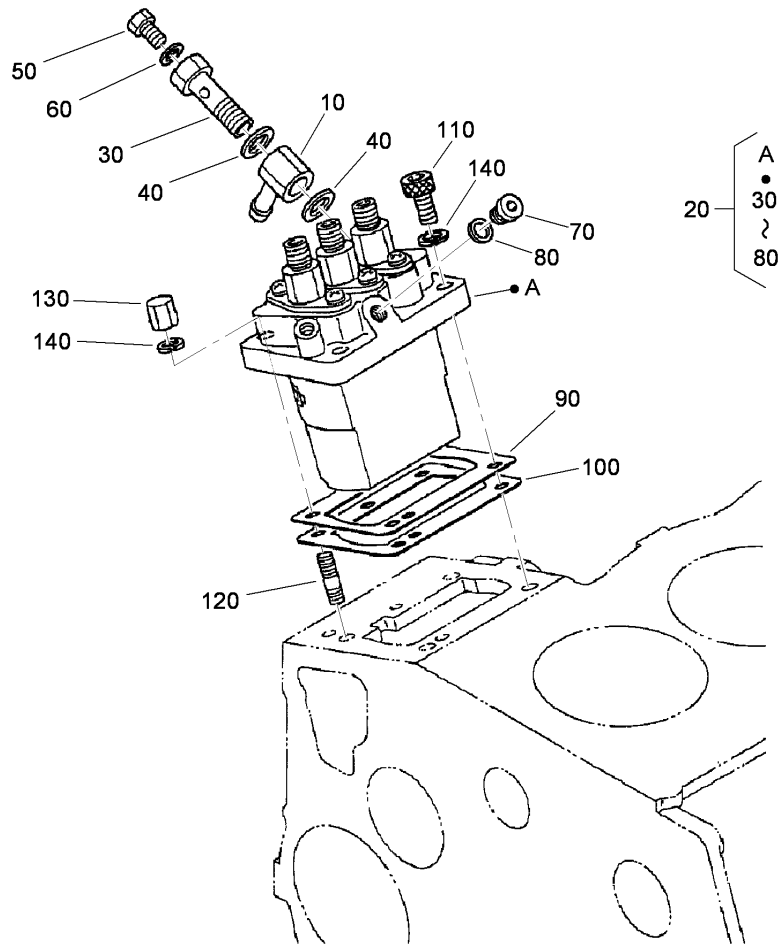
Fuel Camshaft and Governor Shaft Assembly

Ref	Part No.	Qty.	Description
10	98-9459	1	Camshaft-Fuel
20	107-9077	1	Bearing-Ball
30	107-9078	1	Bearing-Ball
60	98-9590	1	Nut-Cap
70	98-9669	1	Gear-Pump, Injection
80	98-9595	1	Key-Woodruff
90	98-9511	1	Stopper-Fuel, Camshaft
100	98-7692	2	Bolt
110	98-9644	1	Governor Shaft ASM
120	98-9562	1	Holder-Gear, Governor
130	98-9673	1	Gear-Governor
140	98-9561	1	Holder-Weight, Governor
150	98-9559	2	Governor Weight ASM
160	98-9560	2	Shaft-Weight, Governor
170	98-9692	2	Roller
180	98-9563	1	Sleeve-Governor
190	98-9564	1	Washer-Thrust
200	107-9079	1	Bearing-Ball
210	98-9657	1	Clip-Circular, Governor Shaft
220	98-9565	1	Screw-Set



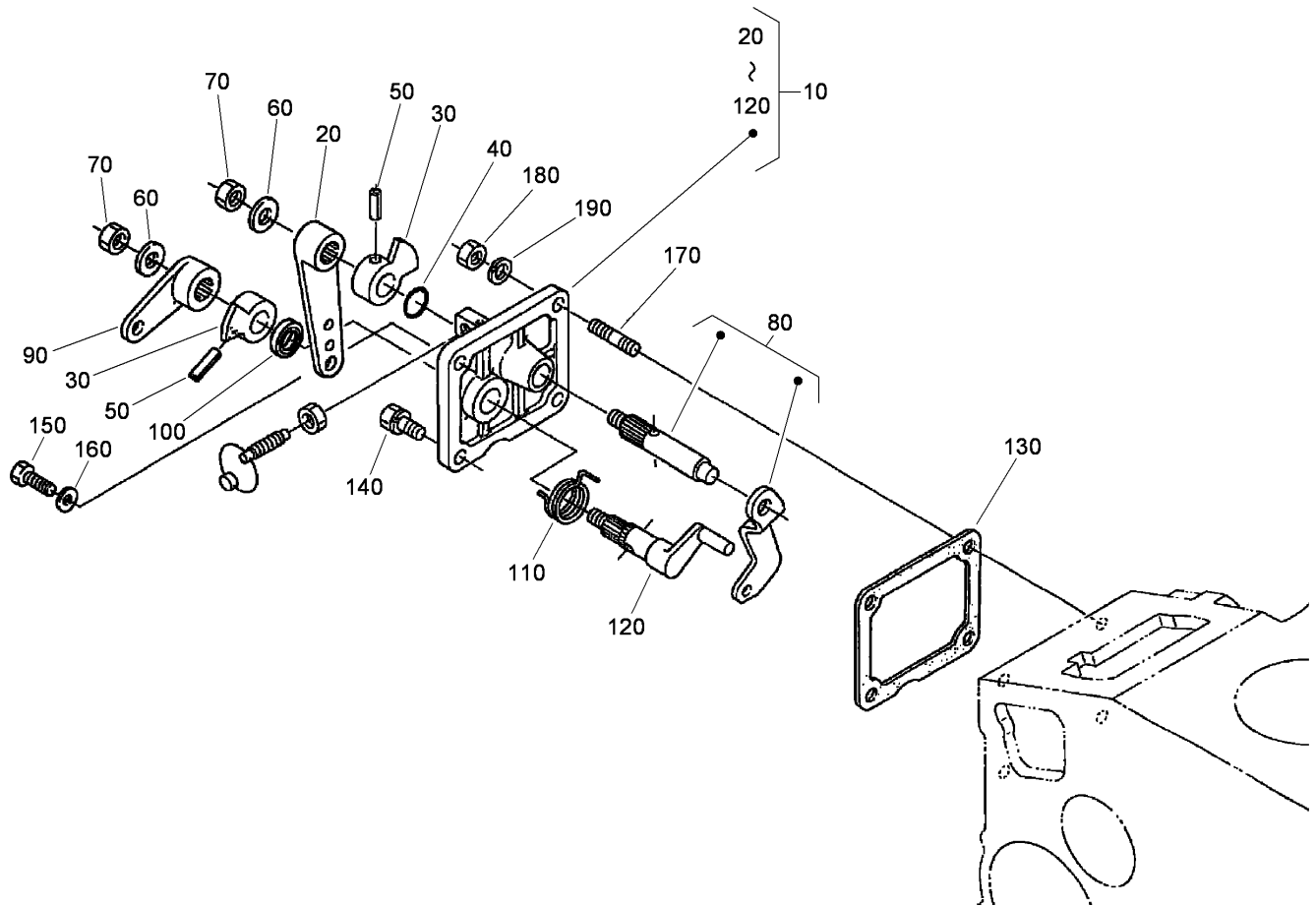
Idle Apparatus Assembly

Ref	Part No.	Qty.	Description
10	98-9678	1	Idle Apparatus ASM
20	112-7014	1	Adjusting Bolt ASM
30	99-8387	1	Nut-Cap
40	112-0181	1	Nut
50	98-7654	2	Gasket
60	98-7656	1	Cap
70	112-7015	1	Bolt-Adjusting
80	100-2175	1	Nut-Lock
90	112-0181	1	Nut
100	98-7654	1	Gasket
110	107-9081	1	Gasket
120	112-7016	1	Cover-Pump



Injection Pump Assembly

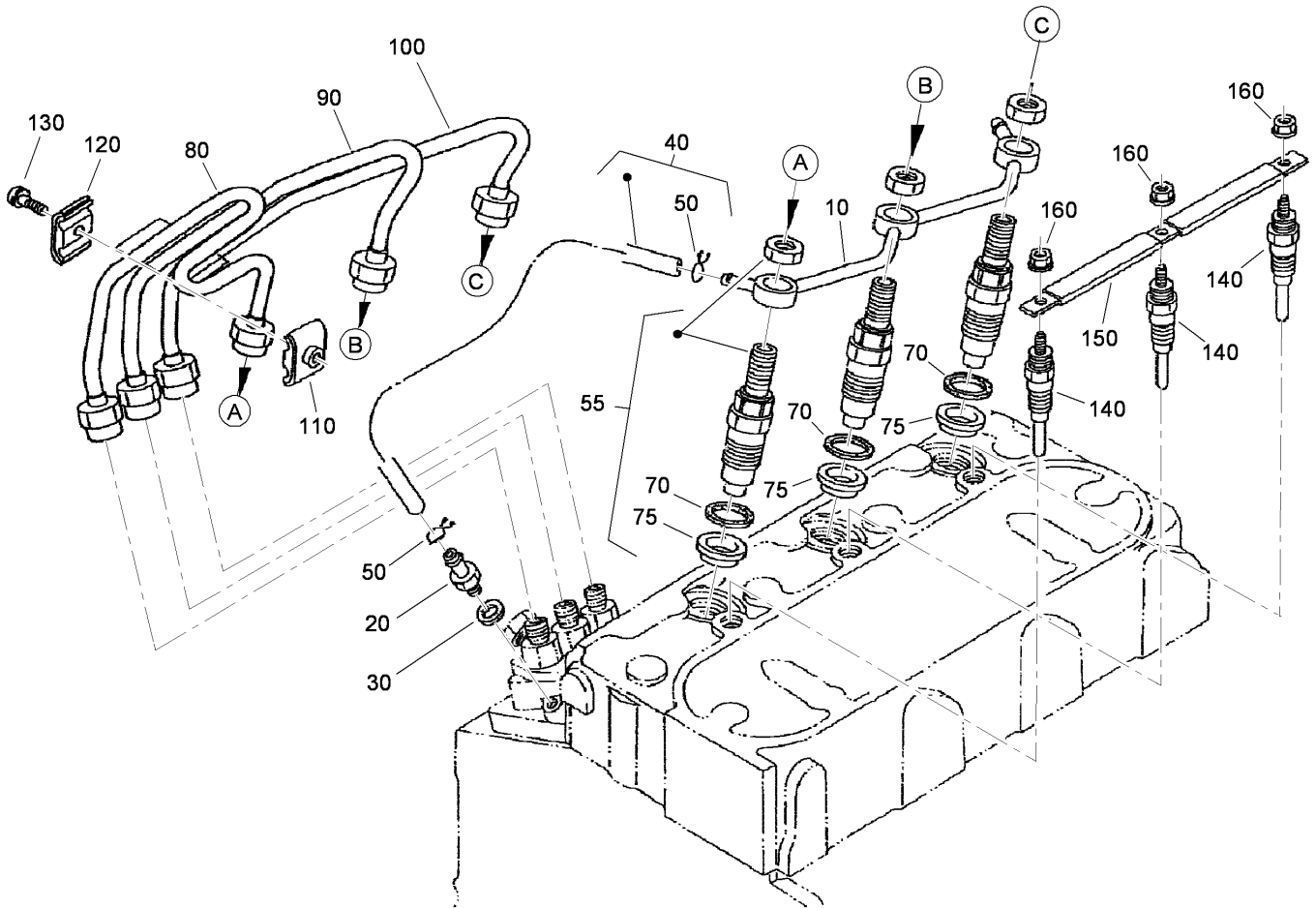
Ref	Part No.	Qty.	Description				
10	98-9596	1	Joint-Eye				
20	98-9643	1	Injection Pump ASM				
30	98-9464	1	Bolt-Joint				
40	98-9445	2	Gasket				
50	98-9430	1	Screw				
60	98-9446	1	Gasket				
70	98-9466	1	Plug				
80	98-9451	1	Gasket				
90	98-9456	1	Shim-Injection (0.20Mm)				
90	98-9457	1	Shim-Injection (0.25Mm)				
90	115-3045	1	Shim-Injection (0.175Mm)				
100	98-9458	1	Shim-Injection (0.30Mm)				
100	115-3046	1	Shim-Injection (0.35Mm)				
110	98-9361	2	Bolt-HSH				
120	98-9438	2	Stud				
130	98-9440	2	Nut-Cap				
140	98-7699	4	Washer-Spring				



Speed Control Plate Assembly

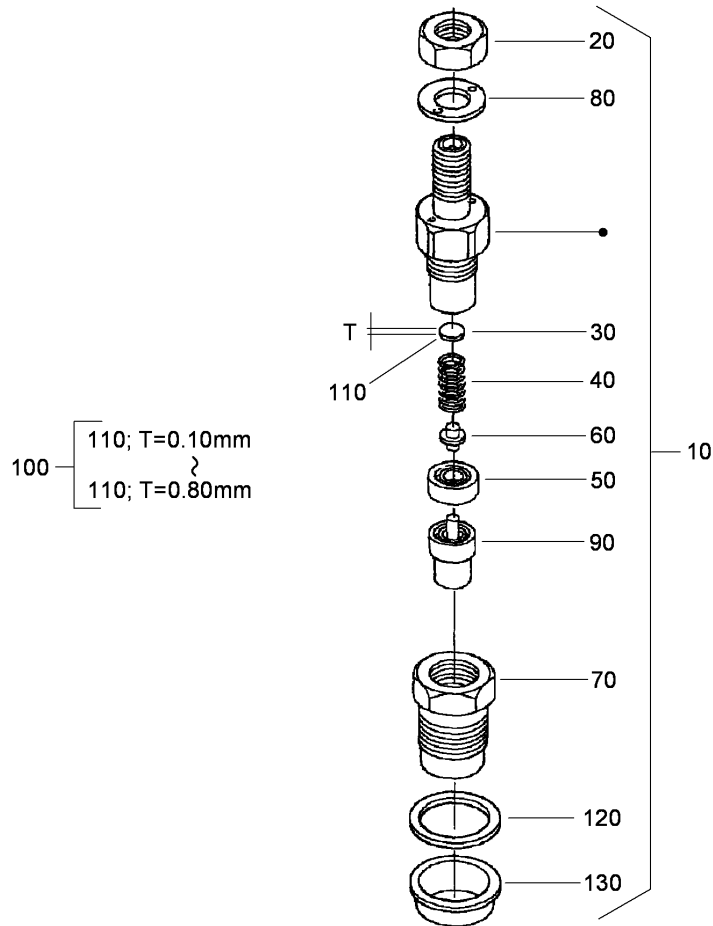
Ref	Part No.	Qty.	Description
10	105-3735	1	Control Plate ASM
20	98-9662	1	Lever-Control, Speed
30	98-9572	2	Lever-Control, Speed
40	105-3788	1	O-Ring
50	98-7602	2	Pin-Spring
60	98-9594	2	Washer-Plain
70	98-9589	2	Nut
80	98-9658	1	Governor Lever ASM
90	98-9663	1	Lever-Stop, Engine
100	98-7601	1	Seal-Oil
110	98-9472	1	Spring-Return
120	98-9664	1	Shaft-Lever, Stop
130	98-9637	1	Gasket
140	98-7692	1	Bolt
150	99-8348	1	Bolt
160	98-7654	1	Gasket
170	105-3710	2	Stud
180	98-7572	2	Nut
190	98-7699	2	Washer-Spring

--	--	--	--



Nozzle Holder and Glow Plug Assembly

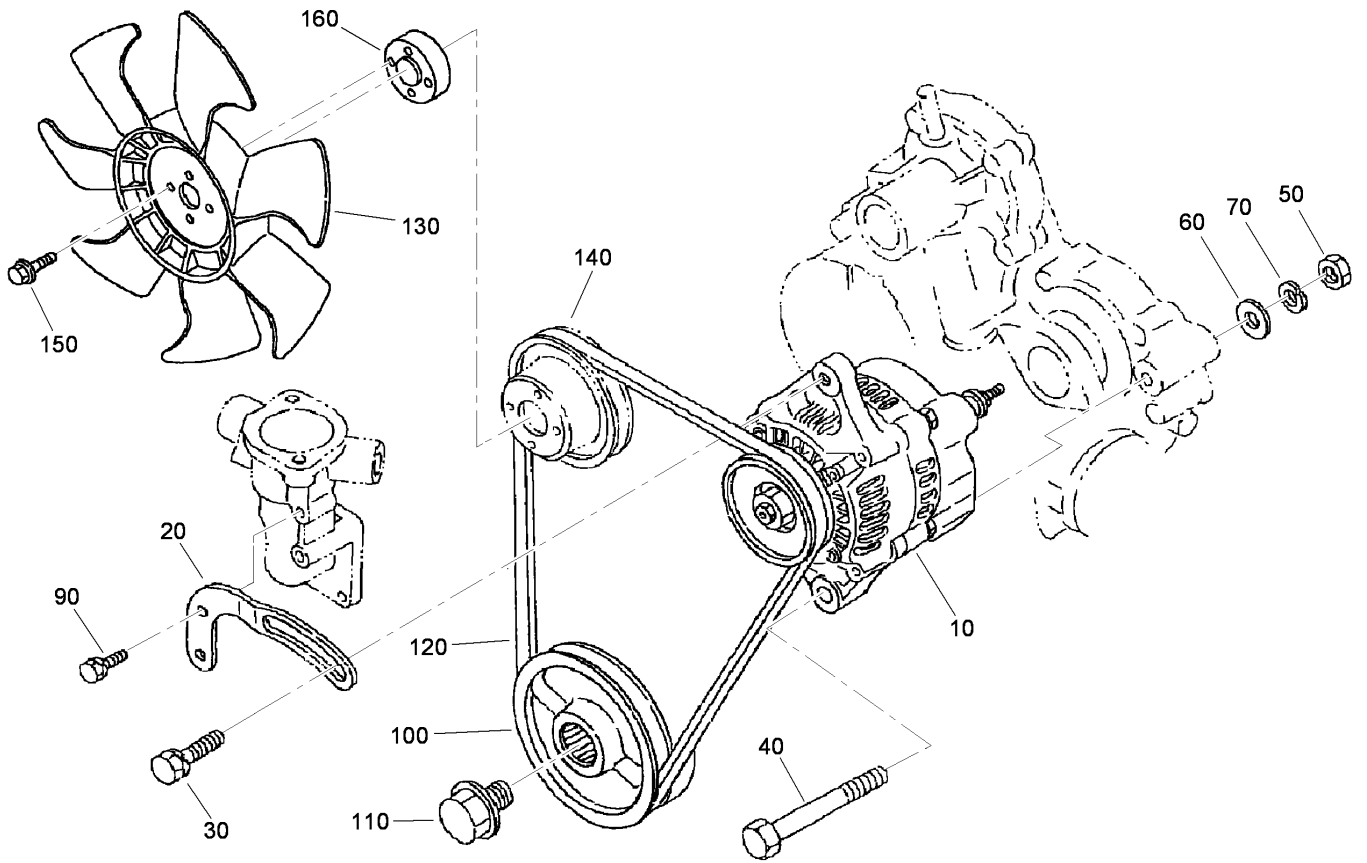
Ref	Part No.	Qty.	Description
10	98-9621	1	Overflow Pipe ASM
20	98-9431	1	Screw-Bleeder
30	98-7654	1	Gasket
40	98-9624	1	Overflow Pipe ASM
50	98-7671	2	Clip-Pipe
55	108-2866	3	Nozzle Holder Kit
70	98-7676	3	Gasket
75	98-7677	3	Seal-Heat
80	98-9622	1	Pipe-Injection
90	98-9654	1	Pipe-Injection
100	98-9655	1	Pipe-Injection
110	98-7682	2	Clamp-Pipe
120	98-7683	2	Clamp-Pipe
130	98-7684	2	Screw (W/Washer)
140	98-9623	3	Plug-Glow
150	98-9631	1	Cord-Plug, Glow
160	99-8377	3	Nut-Flange



Nozzle Holder Assembly

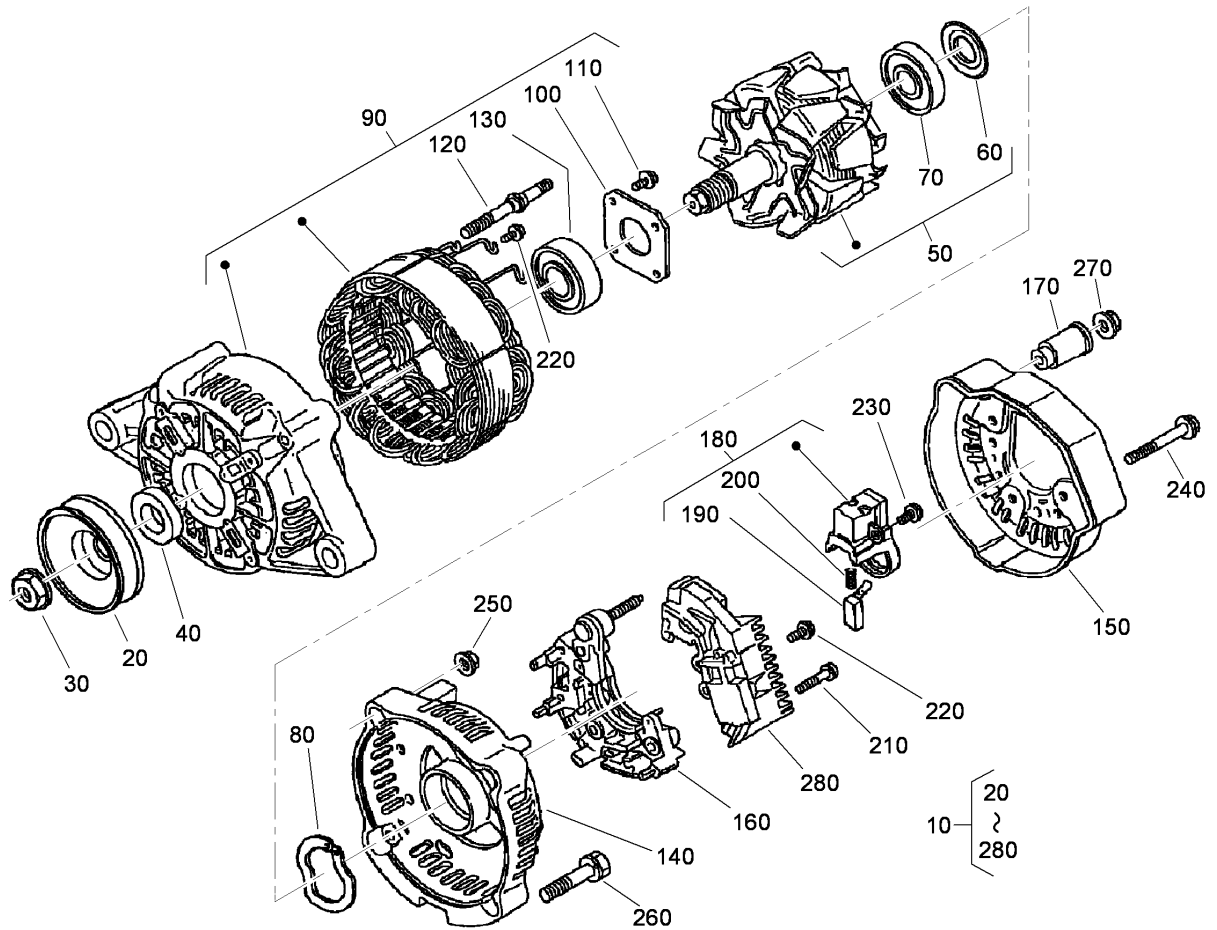
Ref	Part No.	Qty.	Description
10	108-2866	3	Nozzle Holder Kit
20	99-8301	3	Nut
30	99-8302	3	Washer-Adjusting
40	99-8303	3	Spring-Nozzle
50	99-8304	3	Spacer-Distance
60	99-8305	3	Rod-Push
70	99-8306	3	Nut-Nozzle
80	99-8307	3	Washer-Plain
90	107-7826	3	Piece-Nozzle
100	99-8309	3	Adjusting Washer ASM
110	99-8310	3	Washer-Adjust (0.10Mm)
110	99-8311	3	Washer-Adjust (0.20Mm)
110	99-8312	3	Washer-Adjust (0.30Mm)
110	99-8313	3	Washer-Adjust (0.40Mm)
110	99-8314	3	Washer-Adjust (0.50Mm)
110	99-8315	3	Washer-Adjust (0.52Mm)
110	99-8316	3	Washer-Adjust (0.54Mm)
110	99-8317	3	Washer-Adjust (0.56Mm)
110	99-8318	3	Washer-Adjust (0.58Mm)
110	99-8319	3	Washer-Adjust (0.80Mm)
120	98-7676	3	Gasket
130	98-7677	3	Seal-Heat

--	--	--	--



Alternator and Pulley Assembly

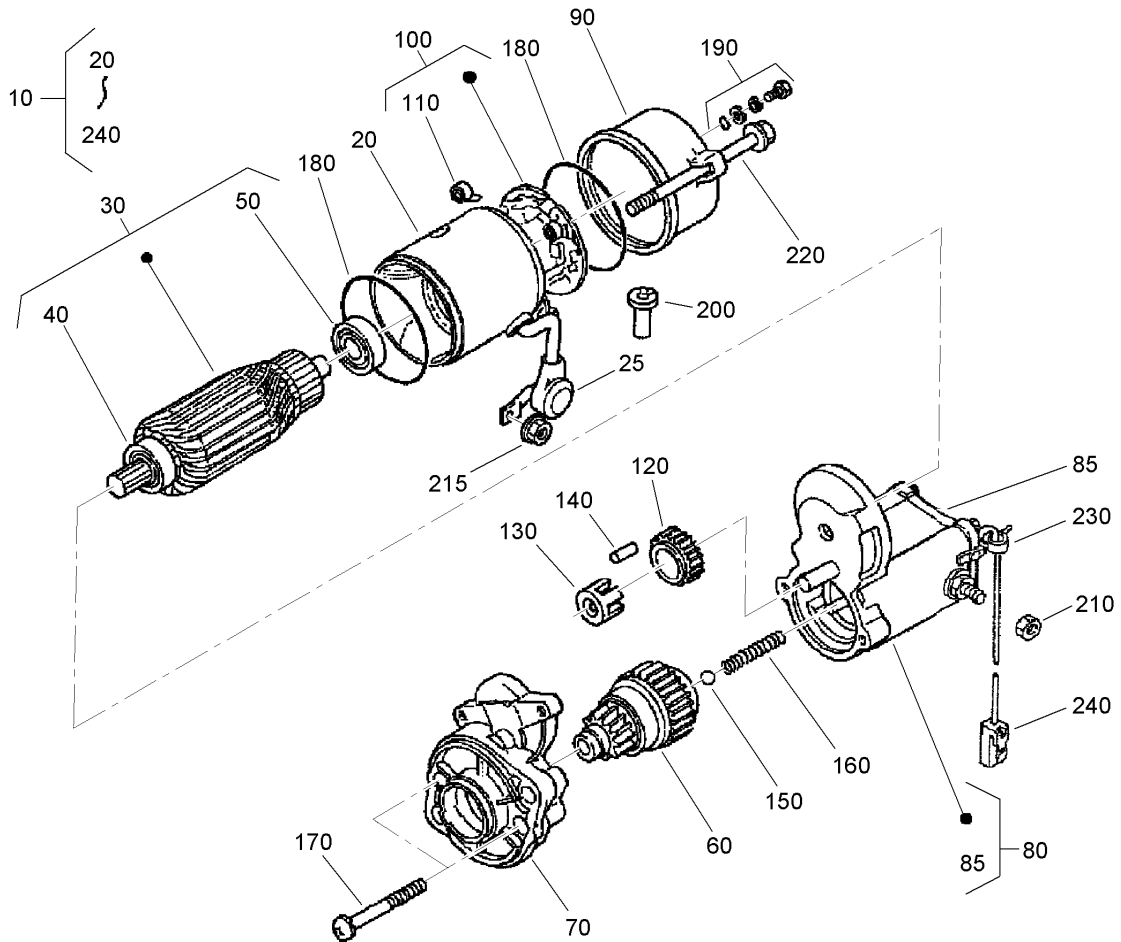
Ref	Part No.	Qty.	Description
10	98-9474	1	Alternator ASM
20	112-7047	1	Stay-Dynamo
30	108-7088	1	Bolt
40	98-9360	1	Bolt
50	98-7737	1	Nut
60	98-9366	1	Washer-Plain
70	98-7738	1	Washer-Spring
90	98-7692	1	Bolt
100	98-9473	1	Pulley-Drive, Fan
110	98-9585	1	Bolt
120	98-9676	1	V-Belt
130	104-4246	1	Fan-Engine
140	98-9584	1	Pulley-Fan
150	33103-020	4	Screw-HHF
160	108-2872	1	Collar-Fan



Alternator Components

Ref	Part No.	Qty.	Description
10	98-9474	1	Alternator ASM
20	98-9453	1	Pulley-Dynamo
30	98-7708	1	Nut
40	98-7709	1	Collar
50	107-0136	1	Rotor
60	98-7711	1	Cover-Bearing
70	107-0138	1	Bearing-Ball
80	98-7713	1	Washer-Thrust
90	107-0139	1	Drive End Frame ASM
100	98-7715	1	Plate-Retainer
110	98-7716	4	Screw-Head, Round
120	98-7717	2	Bolt-Through
130	107-0137	1	Bearing-Ball
140	107-9087	1	Frame-End
150	107-0140	1	Cover-End
160	98-7721	1	Rectifier ASM
170	98-7722	1	Bushing-Insulation
180	107-0141	1	Holder-Brush
190	98-7724	2	Brush
200	98-7725	2	Spring-Brush
210	98-7726	2	Screw-Head, Round
220	98-7727	6	Screw-Head, Round
230	98-7728	1	Screw-Head, Round
240	98-7729	3	Bolt

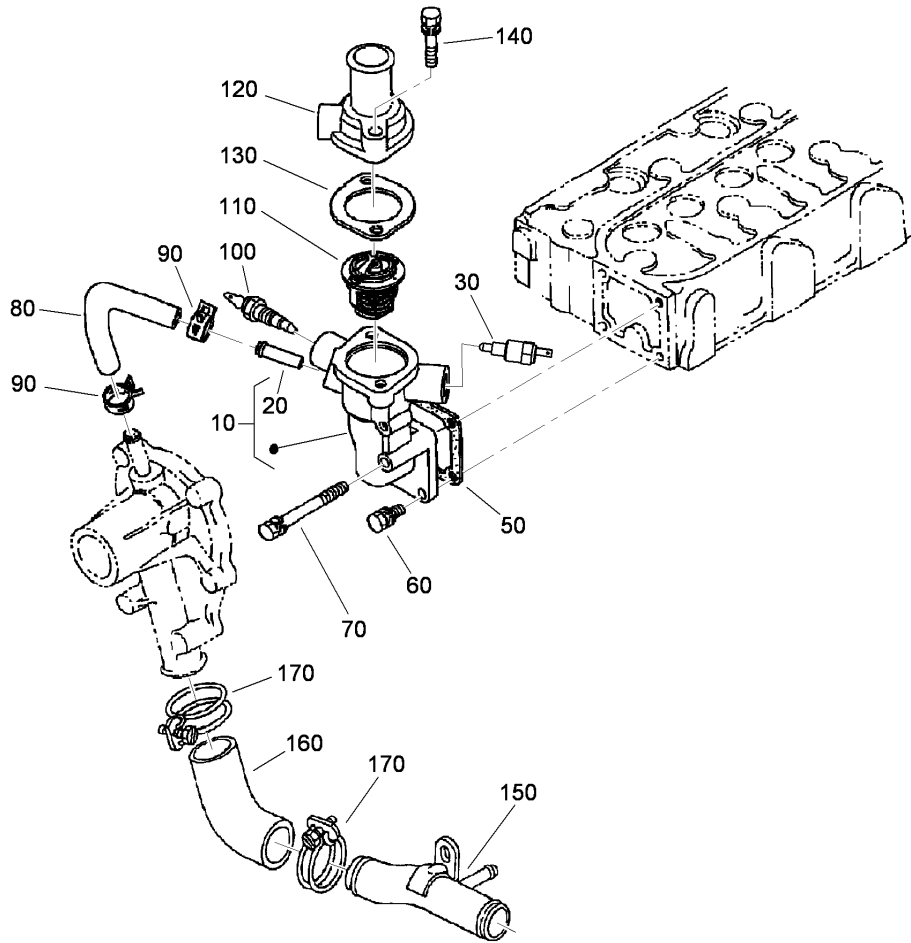
Ref	Part No.	Qty.	Description
250	98-7730	2	Nut
260	98-7731	2	Bolt
270	98-7732	1	Nut
280	110-3799	1	Regulator ASM



Starter (Component Part) Assembly No. 98-9705

Ref	Part No.	Qty.	Description
10	98-9705	1	Starter ASM
20	104-8608	1	Yoke ASM
25	99-8375	1	Cover
30	98-7742	1	Armature ASM
40	98-7744	1	Bearing
50	98-7743	1	Bearing
60	99-8373	1	Clutch-Running, Over
70	99-8374	1	Frame-End, Drive
80	105-3746	1	Magnetic Switch ASM
85	105-2886	1	Cover ASM
90	98-7748	1	Frame-End
100	98-7749	1	Brush Holder ASM
110	98-7750	4	Spring-Brush
120	98-7751	1	Gear
130	98-7752	1	Retainer
140	98-7753	5	Roller
150	98-7755	1	Ball
160	98-7754	1	Spring
170	98-7756	2	Bolt
180	98-7757	2	O-Ring
190	98-7758	2	Bolt ASM
200	98-7759	1	Pipe-Drain
210	99-8371	1	Nut-Hex
215	99-8376	1	Nut-Hex

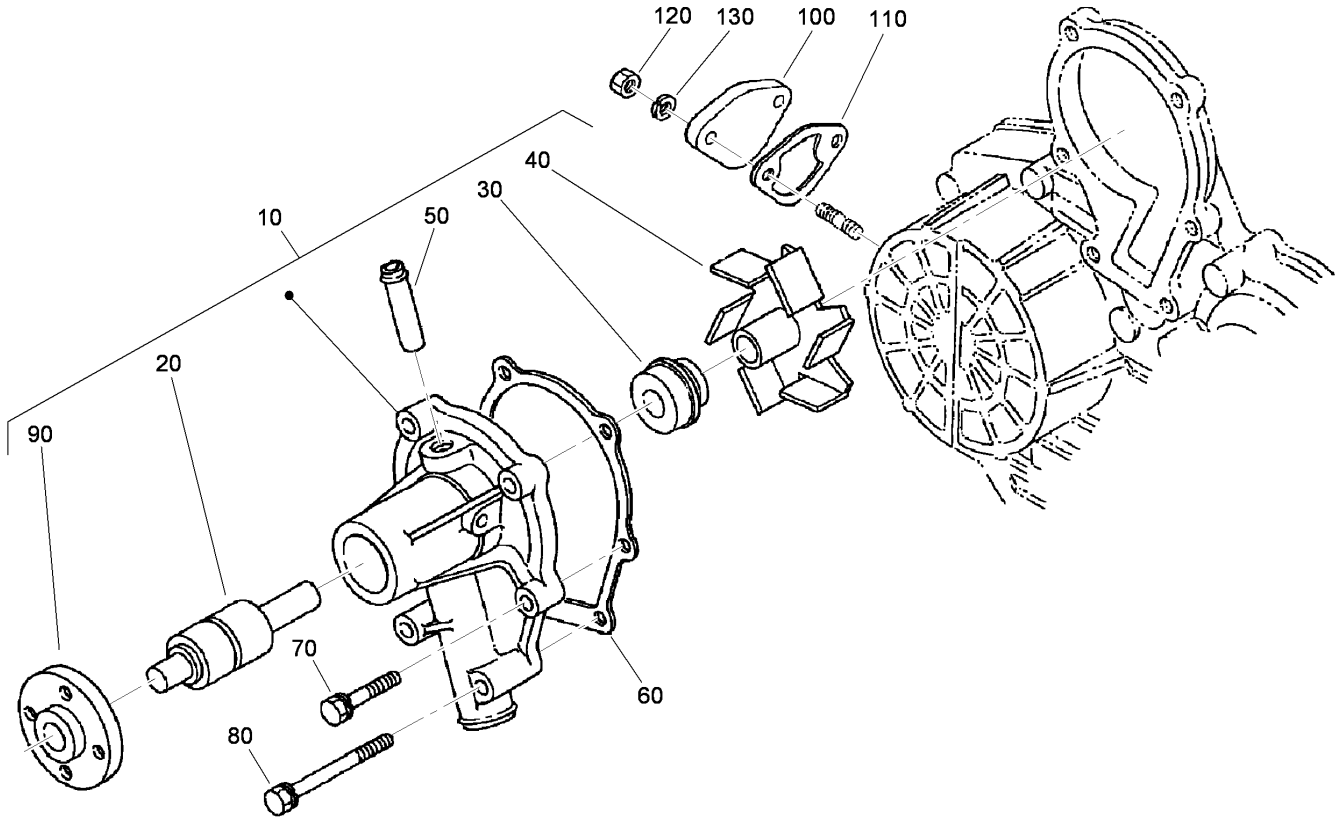
Ref	Part No.	Qty.	Description
220	100-9240	2	Bolt
230	98-9712	1	Band-Cover
240	98-9711	1	Cord-Solenoid, Stop



Water Flange and Thermostat Assembly

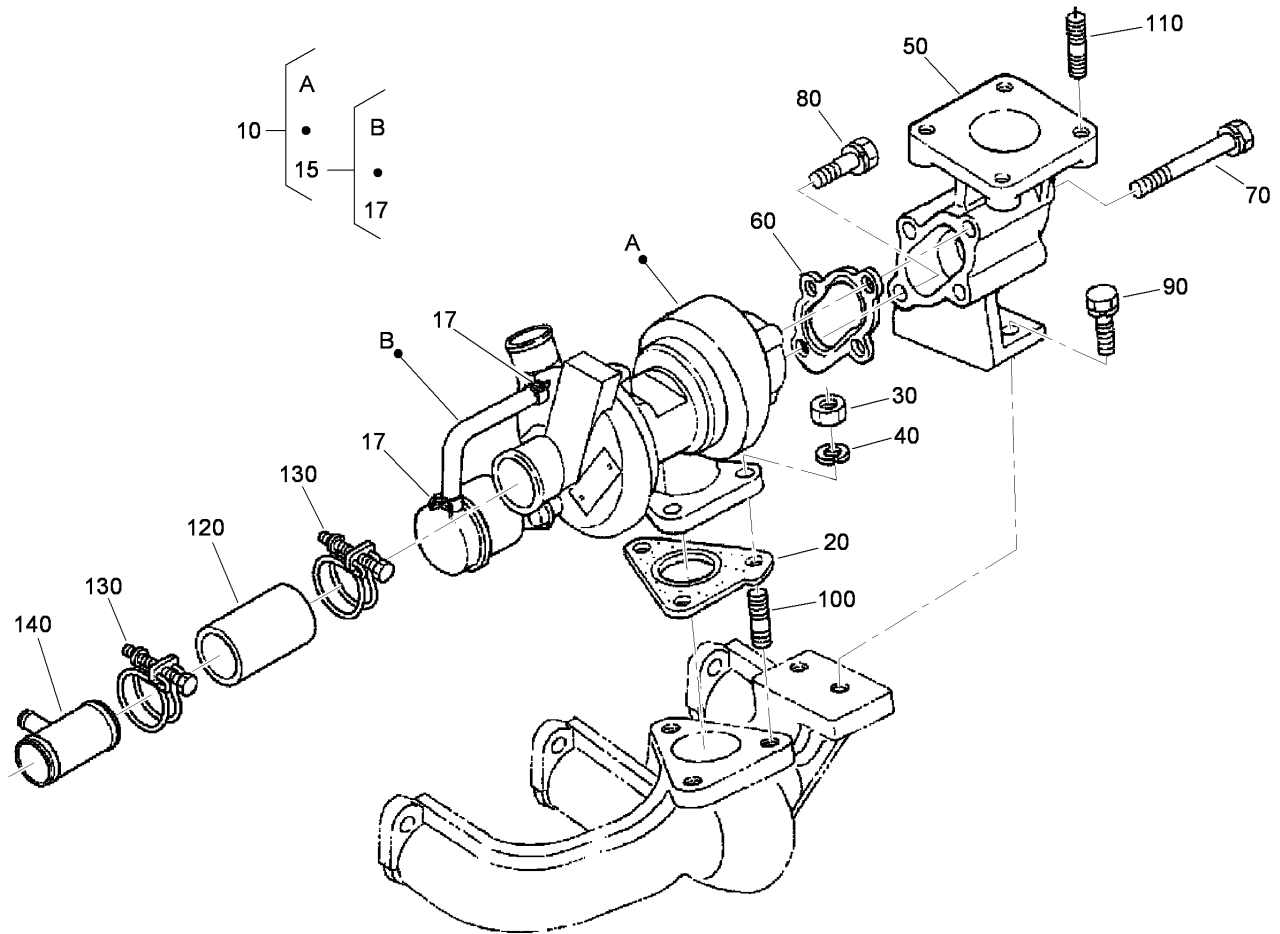
Ref	Part No.	Qty.	Description
10	98-9713	1	Water Flange ASM
20	98-9580	1	Pipe-Return, Water
30	98-9719	1	Thermoswitch
50	98-9638	1	Gasket-Flange, Water
60	98-7692	3	Bolt
70	98-9356	1	Bolt
80	98-9578	1	Pipe-Return, Water
90	98-9579	2	Band-Pipe
100	112-0183	1	Switch-Thermometer
110	98-7778	1	Thermostat ASM
120	98-9471	1	Cover-Thermostat
130	105-3748	1	Gasket-Thermostat
140	98-7777	2	Bolt
150	99-8379	1	Pipe-Water
160	107-9091	1	Pipe-Water
170	98-9717	2	Clamp

--	--	--	--



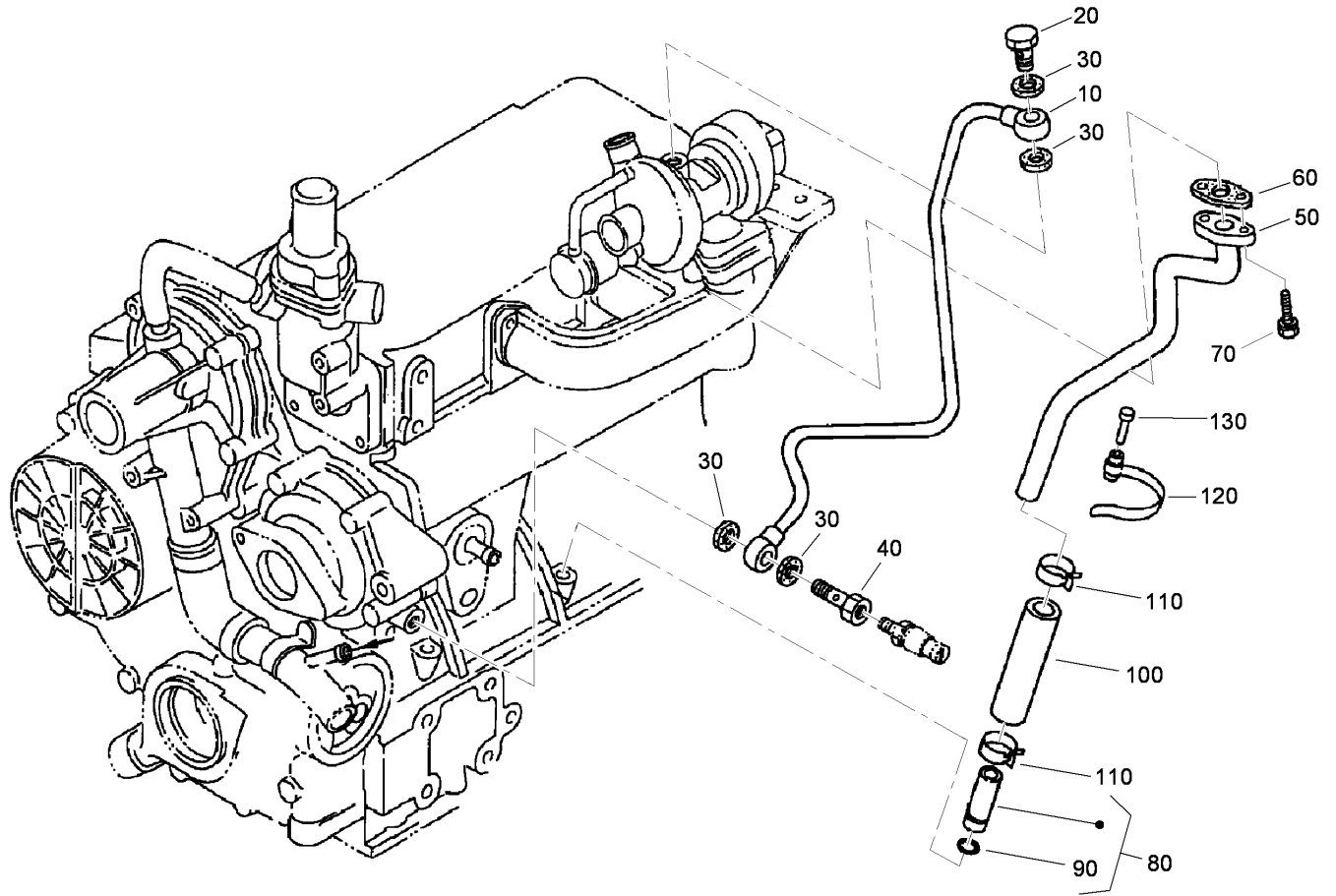
Water Pump Assembly

Ref	Part No.	Qty.	Description
10	107-9089	1	Water Pump ASM
20	99-3517	1	Bearing-Pump, Water
30	105-3750	1	Mechanical Seal ASM
40	112-7017	1	Impeller-Pump, Water
50	100-1932	1	Pipe-Return, Water
60	99-3454	1	Gasket-Pump, Water
70	98-9353	4	Bolt
80	107-9090	2	Bolt
90	99-3516	1	Flange-Pump, Water
100	99-3514	1	Cover
110	98-9636	1	Gasket-Pump, Fuel
120	98-7572	2	Nut
130	98-7699	2	Washer-Spring



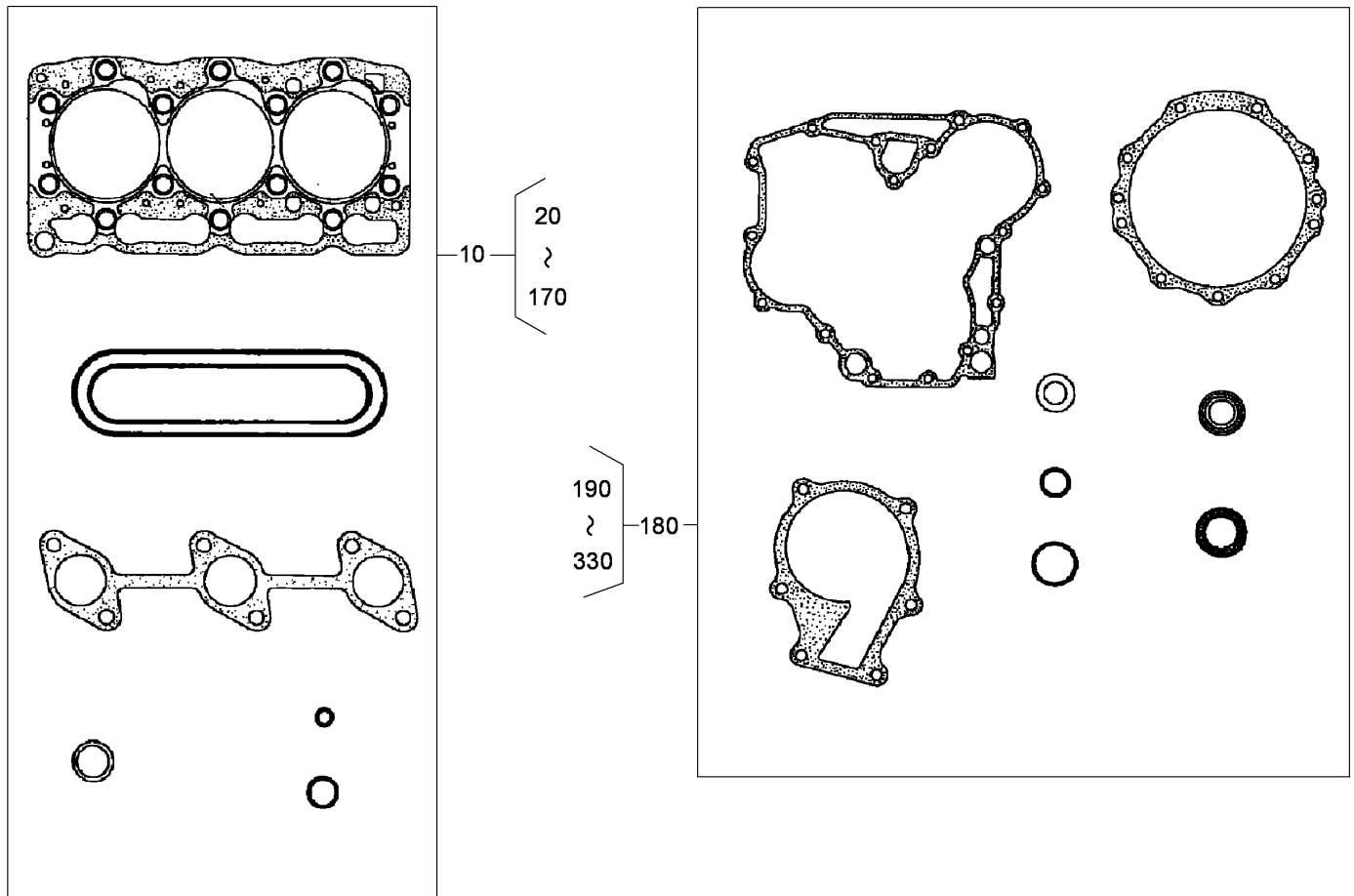
Turbo Charger Assembly

Ref	Part No.	Qty.	Description
10	108-1412	1	Turbo Charger ASM
15	108-1413	1	Hose ASM
17	108-1414	2	Clamp-Hose
20	105-3767	1	Gasket
30	98-7534	3	Nut
40	105-2893	3	Washer-Spring
50	99-8335	1	Flange-Muffler
60	105-3768	1	Gasket
70	115-4100	3	Bolt
80	105-2895	1	Bolt
90	98-7610	2	Bolt
100	99-8342	3	Stud
110	98-7769	4	Stud
120	115-4101	1	Tube-Inlet, Turbo
130	115-4102	2	Band
140	115-4103	1	Pipe-Inlet, Breather



Turbo Charger Oil Pipe Assembly

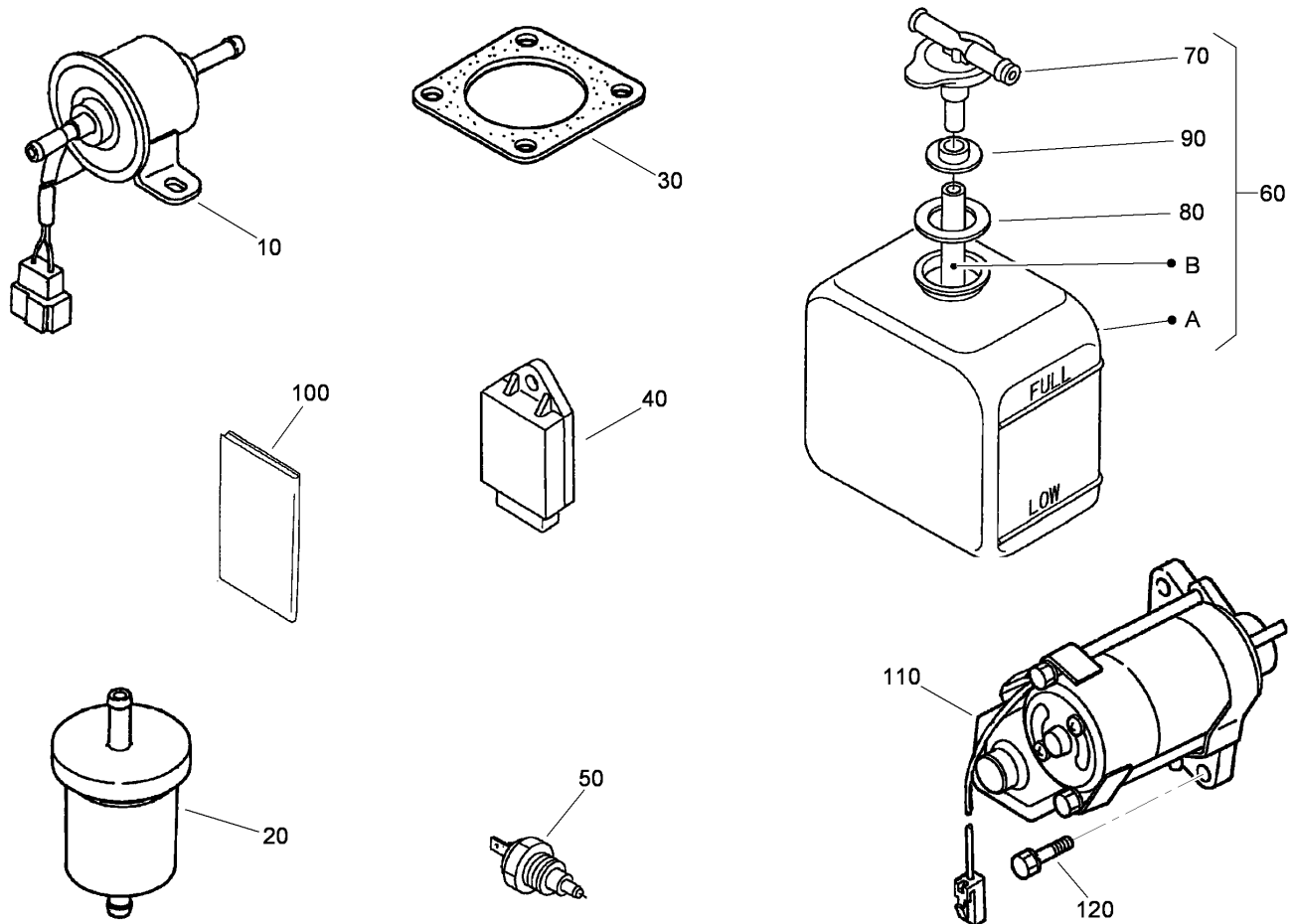
Ref	Part No.	Qty.	Description
10	98-9419	1	Oil Pipe ASM
20	98-9418	1	Bolt-Joint, Eye
30	99-8346	4	Gasket
40	98-9417	1	Bolt-Joint, Eye
50	98-9461	1	Pipe Line ASM
60	108-4422	1	Gasket
70	98-7605	2	Bolt
80	99-8383	1	Oil Pipe ASM
90	98-9722	1	O-Ring
100	98-9721	1	Pipe-Oil
110	98-9714	2	Clamp-Hose
120	98-9601	1	Clamp-Pipe
130	98-9591	1	Pin-Band



Gasket Kit

Ref	Part No.	Qty.	Description
10	108-1415	1	Upper Gasket Kit
●20	108-6573	1	Gasket-Head, Cylinder
●40	99-8329	1	Gasket-Manifold, Intake
●50	105-3767	1	Gasket
●60	105-3768	1	Gasket
●70	99-8327	1	Gasket-Manifold, Exhaust
●80	99-8385	6	Seat-Stem, Valve
●90	98-9615	1	Gasket-Cover, Head
●100	98-9454	3	Gasket
●110	99-3446	1	O-Ring
●120	99-8346	4	Gasket
●130	108-4422	1	Gasket
●140	98-9722	1	O-Ring
●150	98-9638	1	Gasket-Flange, Water
●160	105-3748	1	Gasket-Thermostat
●170	99-8343	1	Gasket-Muffler
180	112-7041	1	Lower Gasket Kit
●190	98-9632	1	Gasket-Pump, Water
●200	98-9633	1	Gasket-Case, Gear
●210	105-3781	2	O-Ring
●220	105-3777	2	O-Ring
●230	98-9634	1	Gasket-Case, Bearing
●240	98-9635	1	Gasket-Cover, Bearing Case
●250	105-3783	1	O-Ring

Ref	Part No.	Qty.	Description
●260	105-3776	1	O-Ring
●270	98-9729	1	O-Ring
●280	98-9636	1	Gasket-Pump, Fuel
●290	98-9682	1	Gasket
●300	105-3788	1	O-Ring
●310	98-7601	1	Seal-Oil
●320	98-9637	1	Gasket
●330	98-9683	1	Gasket-Cover, Solenoid



Electric Fuel Pump, Fuel Filter, Starter and Overflow Bottle Assemblies

Ref	Part No.	Qty.	Description
10	107-0122	1	Pump-Fuel, Electric
20	98-7612	1	Filter-Fuel
30	99-8343	1	Gasket-Muffler
40	107-9097	1	Controller-Glow
50	98-9719	1	Thermoswitch
60	108-0638	1	Bottle-Overflow
70	105-3754	1	Cap
80	105-3755	1	Gasket
90	105-3756	1	Plate
100	115-4104	1	Operators Manual
110	98-9705	1	Starter ASM
120	98-7697	2	Bolt

--	--	--	--

Attachments and Accessories

For 30464TC - Groundsmaster 7210 Traction Unit with 72in Rotary Mower

Product Name	Model/Part
Tooth Rake	08751
Finish Grader	08754
Drag Mat Carrier System	08756
Steel Drag Mat	08757
Coco Drag Mat	08758
Lug Tire (24 X 12 - 12)	103-6771
Bahiagrass Baffle Kit	105-7269
Blade-Belt Kit, 62 Inch Guardian Only	105-7270
Blade-Belt Kit, 72 Inch Guardian Only	105-7271
Blade-Belt Kit, 72 Inch Side Discharge Only	105-7272
Striping Kit, 72 Inch Side Discharge Only	105-7273
Yellow Hydraulic Cap	107-1576
Cap-Diesel, Green	107-2172
Premium Engine Oil, 15w40 (Drum)	108-1181
Premium Engine Oil, 15w40 (Pail)	108-1182
Premium Transmission/Hydraulic Tractor Fluid (Drum)	108-1183
Premium Transmission/Hydraulic Tractor Fluid (Pail)	108-1184
Recycler Kit	108-1901
Conversion Kit, 72 Inch Rear-Discharge to Guardian Recycler	108-1903
Leaf Mulching Kit, 72 Inch Side Discharge Only	108-5273
Wheel And Tire ASM (Semi Pneumatic)	110-6406
Spark Arrestor Kit	112-1688
Bio-Diesel Fuel Filter Kit	112-9140
Slow Moving Vehicle Kit	114-4050
5 Inch Air Cleaner Safety Element	114-4057
Weight Mount Bracket Kit	114-4090
42-pound Weight, For Kit 114-4090	114-4096
MVP (Filter) Kit	30037
Guardian Fine Recycler Completion Kit, Groundsmaster 7200 Series Traction Unit with 72 Inch Base Mower	30346
Polar Trac Kit	30370
Polar Trac Cab	30371
Road Light Kit	30374
Z-Stand Kit	30375
Rear Quick Attach System	30377
V-Plow Mounting Kit	30378
Auxiliary Hydraulic Power Kit	30380
Auxiliary Power Unit	30382
CE Kit	30392
Debris Blower	30393
Rear Discharge Kit, Groundsmaster 7200 Series Traction Unit with 62 Inch Base Mower	30463
Rear Discharge Kit, Groundsmaster 7200 Series Traction Unit with 72 Inch Base Mower	30466
48 Inch V-Plow	30750

NOTES

NOTES

NOTES

