



LX460 Lawn Tractor

Model No. 13AX60RH744 - 1A056B50000 and up.

Parts Catalog

Ordering Replacement Parts

To order replacement parts, please supply the part number, the quantity, and the description of each part desired.

Understanding Reference Numbers

Each identified part in an illustration has a reference number. The reference number for a part also appears in the parts list, along with other information about the part.

This catalog uses two special reference number formats, one to indicate parts in a service assembly and another to indicate the quantity of a given part in an illustration.

Service Assembly Reference Numbers

Parts in service assemblies have reference numbers in the form a:b. The a represents the reference number of the entire service assembly and the b represents a sequential number unique to each part within the service assembly.

For example, a wheel assembly might be identified by reference number 6, the tire by 6:1, the valve by 6:2, and the wheel by 6:3. When you order the assembly identified by reference number 6, you receive all parts identified by reference numbers 6:1, 6:2, and 6:3. However, you may also order any part individually. Reference numbers of this type appear in illustrations and in part lists.

Reference Numbers Indicating Quantity

In an illustration, if a reference number indicates more than one part, the reference number has the form nX y. The n represents the quantity of the part, the X is the multiplication symbol, and the y represents the reference number.

For example, in an illustration, the reference number 2X 37 means that two of the parts identified by reference number 37 are indicated.

Contents

Description	Page	Description	Page
Front and Rear Wheel Assembly 3	Crankcase Assembly Kohler SV600-0018 21
Deck Lift Arm Assembly 4	Oil Pan and Lubrication Assembly Kohler SV600-0018 22
Steering Shaft and Front Axle Assembly 5	Head, Valve and Breather Assembly Kohler SV600-0018 23
Frame and Battery Assembly 6	Ignition and Electrical Assembly Kohler SV600-0018 24
Seat and Fender Assembly 7	Blower Housing Assembly Kohler SV600-0018 25
Fuel Tank and Hood Assembly 8	Starting System Assembly Kohler SV600-0018 26
Muffler Assembly 9	Fuel System Assembly Kohler SV600-0018 27
Transmission, Belt and Pulley Assembly 10	Engine Control Assembly Kohler SV600-0018 28
Single Speed Transmission Assembly No. 112-0368 12	Air Intake and Filtration Assembly Kohler SV600-0018 29
Brake and Traction Pedal Assembly 14	Exhaust Stud and Decal Assembly Kohler SV600-0018 30
PTO Engage Assembly 15	Attachments and Accessories List 31
Deck Assembly 16		
Single Pulley Spindle Assembly No. 112-0311 18		
Double Pulley Spindle Assembly No. 112-0383 19		
Crankshaft Assembly Kohler SV600-0018 20		

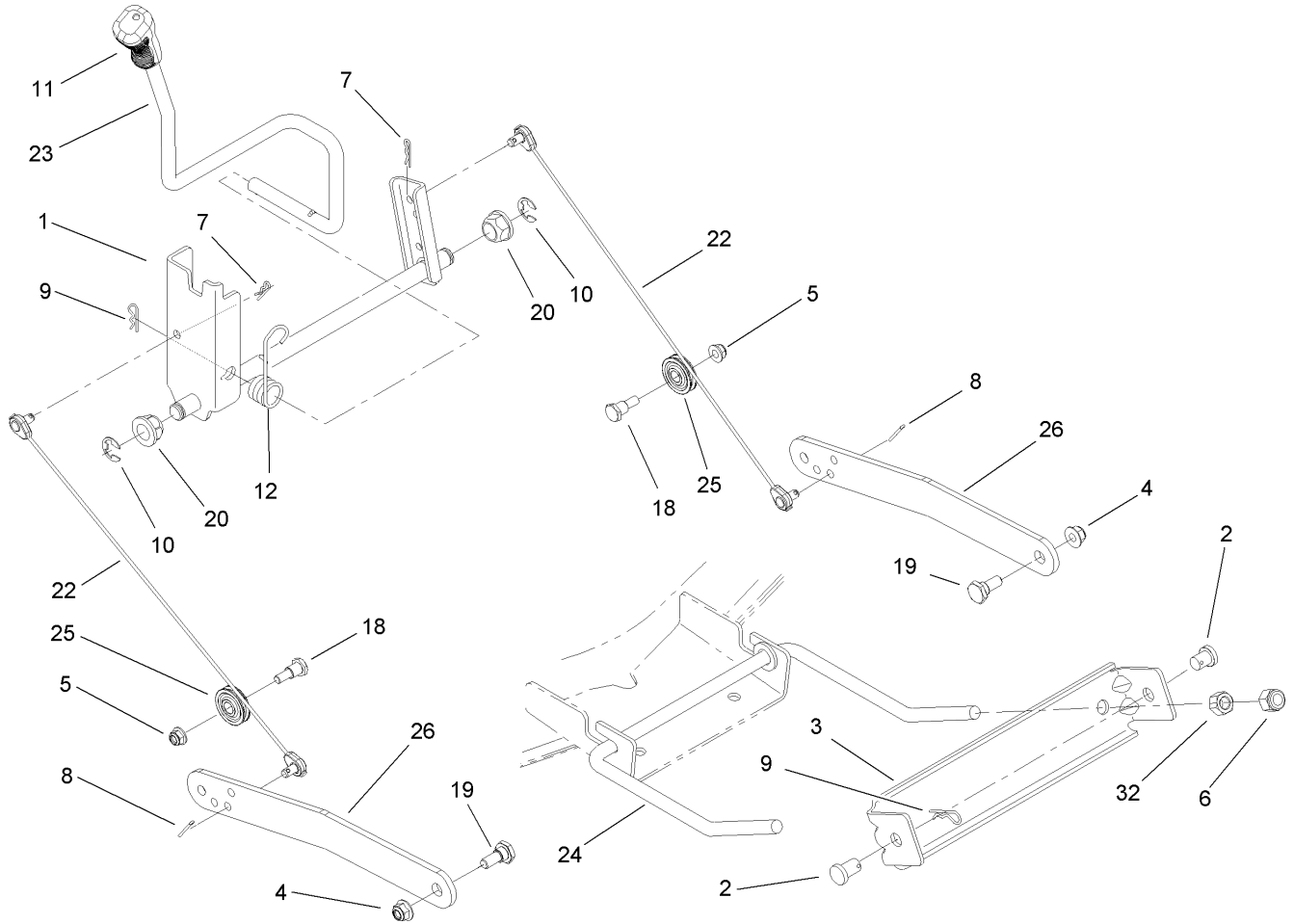
Part Description Abbreviations

Part descriptions in this catalog may include the following abbreviations.

AR. as required	HYD. hydraulic
ASM. assembly	LH. left hand
BBC. blade brake clutch	NI. nylon insert
CARR. carriage	NPTF. national pipe thread fine
DEG. degrees	PFH. phillips flat head
EXT. external	PPH. phillips pan head
FH. flat head	PPHTF. phillips pan head thread forming
GA. gauge	PRH. phillips round head
HD. heavy-duty	PTH. phillips truss head
HF. hex flange	PTO. power-take-off
HH. hex head	RH. right hand
HHF. hex head flange	ROPS. roll-over protection system
HHFTF. hex head flange thread forming	SFH. slotted fillister head
HJ. hex jam	SHH. slotted hex head
HLH. hex lag head	SHWH. slotted hex washer head
HOC. height-of-cut	SPH. slotted pan head
HSBH. hex socket button head	SQH. square head
HSFH. hex socket flat head	SRH. slotted round head
HSH. hex socket head	STD. standard
HWH. hex washer head	TAP. self tapping
HWHTF. hex washer head thread forming	TTH. torx truss head

Footnotes

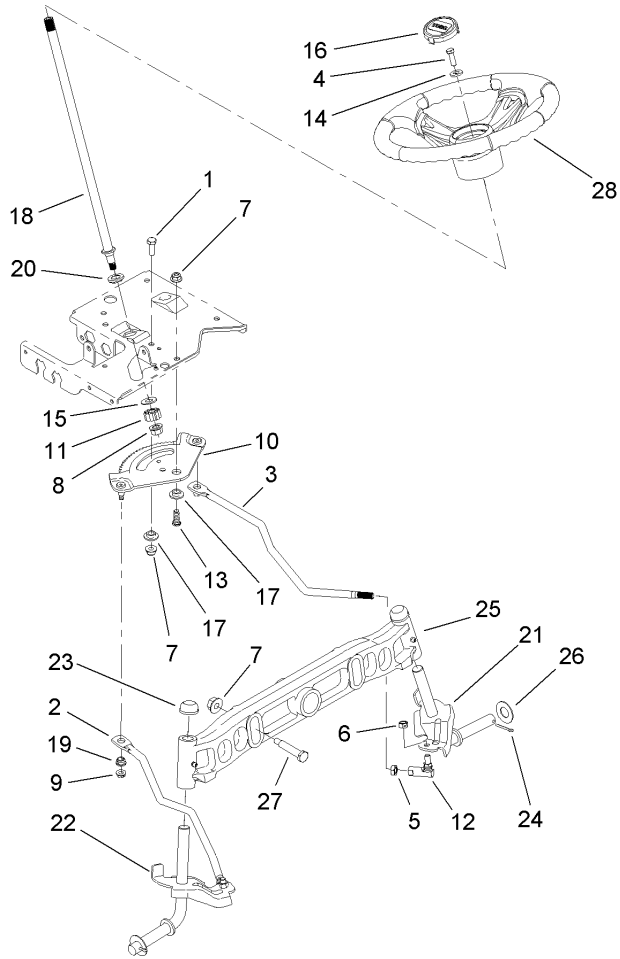
- | | |
|--|--|
| <p>❶ Not illustrated</p> <p>❸ Obtain from your local Kohler dealer</p> | <p>❷ Not serviced separately</p> <p>❹ Obtain from your local Toro dealer</p> |
|--|--|



Deck Lift Arm Assembly

Ref	Part No.	Qty.	Description
1	112-0686	1	Lift Shaft ASM
2	112-0376	1	Pin-Bracket, Lift
3	112-0707	1	Bracket-Stabilizer
4	112-0668	1	Nut-Lock, Flange
5	112-0650	1	Nut-Lock, Flange
6	112-0476	1	Nut-Lock, Hex (Nylon)
7	112-0459	1	Pin-Cotter
8	112-0568	1	Pin-Cotter
9	112-0394	1	Pin-Hair
10	112-0586	1	Ring-E
11	112-0585	1	Grip-Handle
12	112-0477	1	Spring-Torsion
18	112-0443	1	Bolt-Shoulder
19	112-0565	1	Bolt-Shoulder
20	112-0347	1	Bearing-Flange
22	112-0374	1	Cable-Lift
23	112-0674	1	Handle-Lift
24	112-0456	1	Rod-Front, Adjust
25	112-0502	1	Pulley-Roller
26	112-0724	1	Link-Lift
32	112-0458	1	Nut-Hex

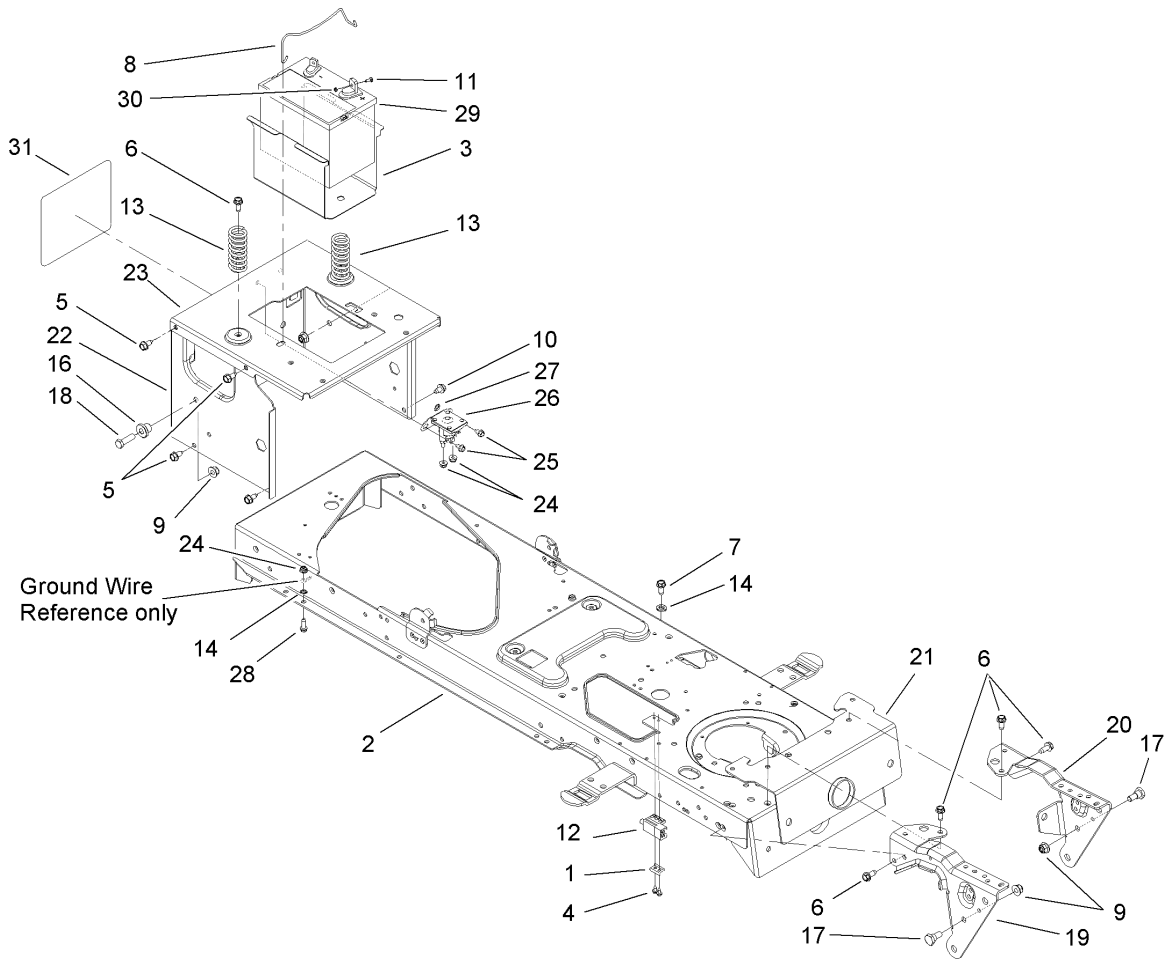
--	--	--	--



Steering Shaft and Front Axle Assembly

Ref	Part No.	Qty.	Description
1	112-0492	1	Screw-HH
2	112-0355	1	Link-Drag, RH
3	112-0346	1	Link-Drag, LH
4	112-0473	1	Screw-HH
5	112-0493	1	Nut-Jam
6	112-0483	1	Nut-Hex, Lock
7	112-0668	1	Nut-Lock, Flange
8	112-0859	1	Nut-Lock, Flange
9	112-0511	1	Nut-Lock, Flange
10	112-0862	1	Gear-Steering
11	112-0863	1	Gear-Pinion, Steering
12	112-0917	1	Ball Joint ASM
13	112-0631	1	Screw-HH
14	112-0924	1	Washer-Flat
15	112-0925	1	Washer-Flat
16	112-3734	1	Cap-Wheel, Steering
17	112-0881	1	Spacer-Shoulder
18	112-5804	1	Shaft-Steering
19	112-0929	1	Bushing
20	112-0930	1	Bearing-Flange, Hex
21	112-0687	1	LH Axle ASM
22	112-0405	1	RH Axle ASM
23	112-0323	1	Cap
24	112-0519	1	Pin-Cotter

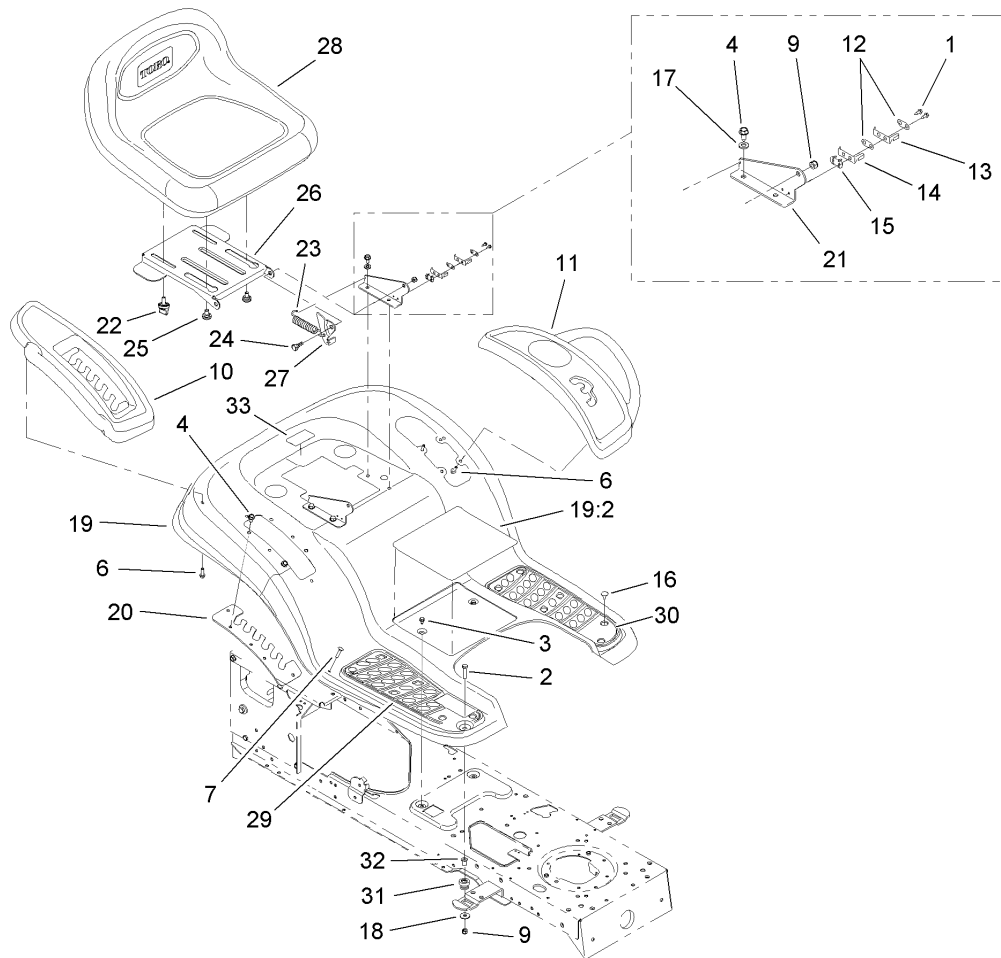
Ref	Part No.	Qty.	Description
25	112-0416	1	Axle-Pivot, Front
26	112-0396	1	Washer-Flat
27	112-0486	1	Bolt-Shoulder
28	112-0438	1	Wheel-Steering, Softgrip



Frame and Battery Assembly

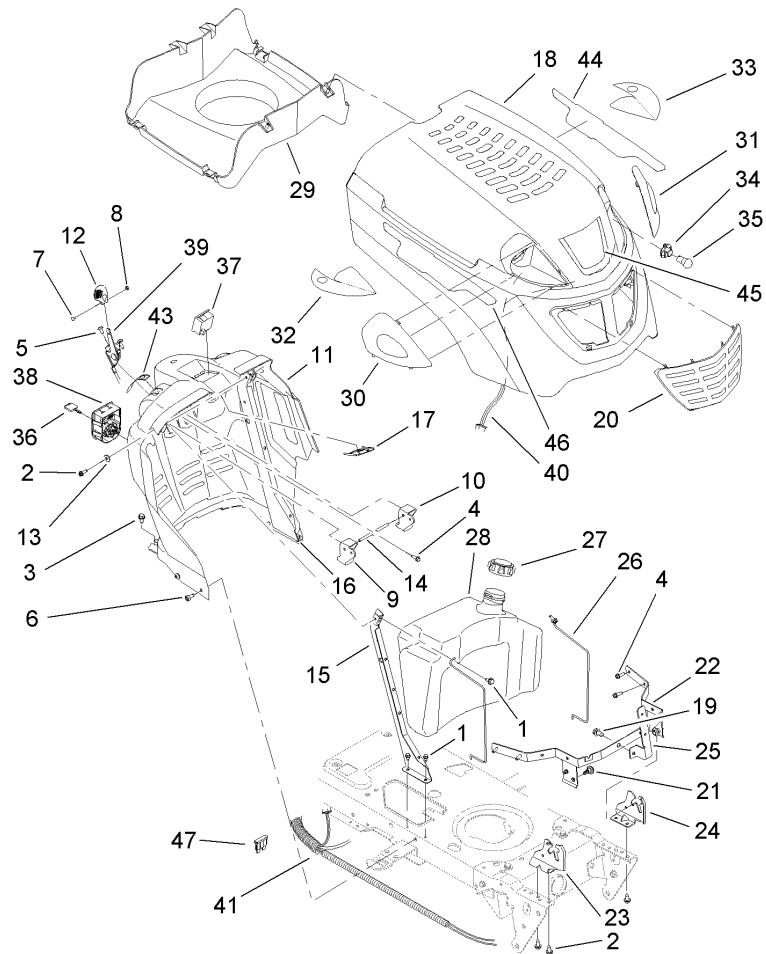
Ref	Part No.	Qty.	Description
1	112-0671	1	Plate-Switch
2	112-0705	1	Lower Frame ASM
3	112-0570	1	Tray-Battery
4	112-0651	1	Screw-HH, TAP
5	112-0472	1	Screw-HH, TAP
6	112-0395	1	Screw-HWH
7	112-0659	1	Screw-HWH
8	112-0581	1	Rod-Holddown, Battery
9	112-0668	1	Nut-Lock, Flange
10	112-0676	1	Screw-TAP
11	112-0479	1	Bolt-CARR
12	112-0455	1	Switch-Interlock
13	112-0501	1	Spring-Compression
14	112-0703	1	Washer-Lock, External
16	112-0661	1	Spacer-Shoulder
17	112-0565	1	Bolt-Shoulder
18	112-0557	1	Screw-HH
19	112-0620	1	Bracket-Pivot, Support
20	112-0610	1	Bracket-Pivot, Support
21	112-0640	1	Bracket-Pivot, Bar
22	112-0728	1	Frame-Upper
23	112-0647	1	Bracket-Frame, Seat
24	112-0636	1	Nut-Lock, Flange
25	112-0524	1	Screw-HWHTF

Ref	Part No.	Qty.	Description
26	112-0309	1	Solenoid-12V
27	112-0703	1	Washer-Lock, External
28	112-0587	1	Screw-HH, TAP
29	112-0425	1	Battery-245, Cca (Dry Flat Top)
30	112-5805	1	Nut-Sems
31	112-1284	1	Decal-Toro



Seat and Fender Assembly

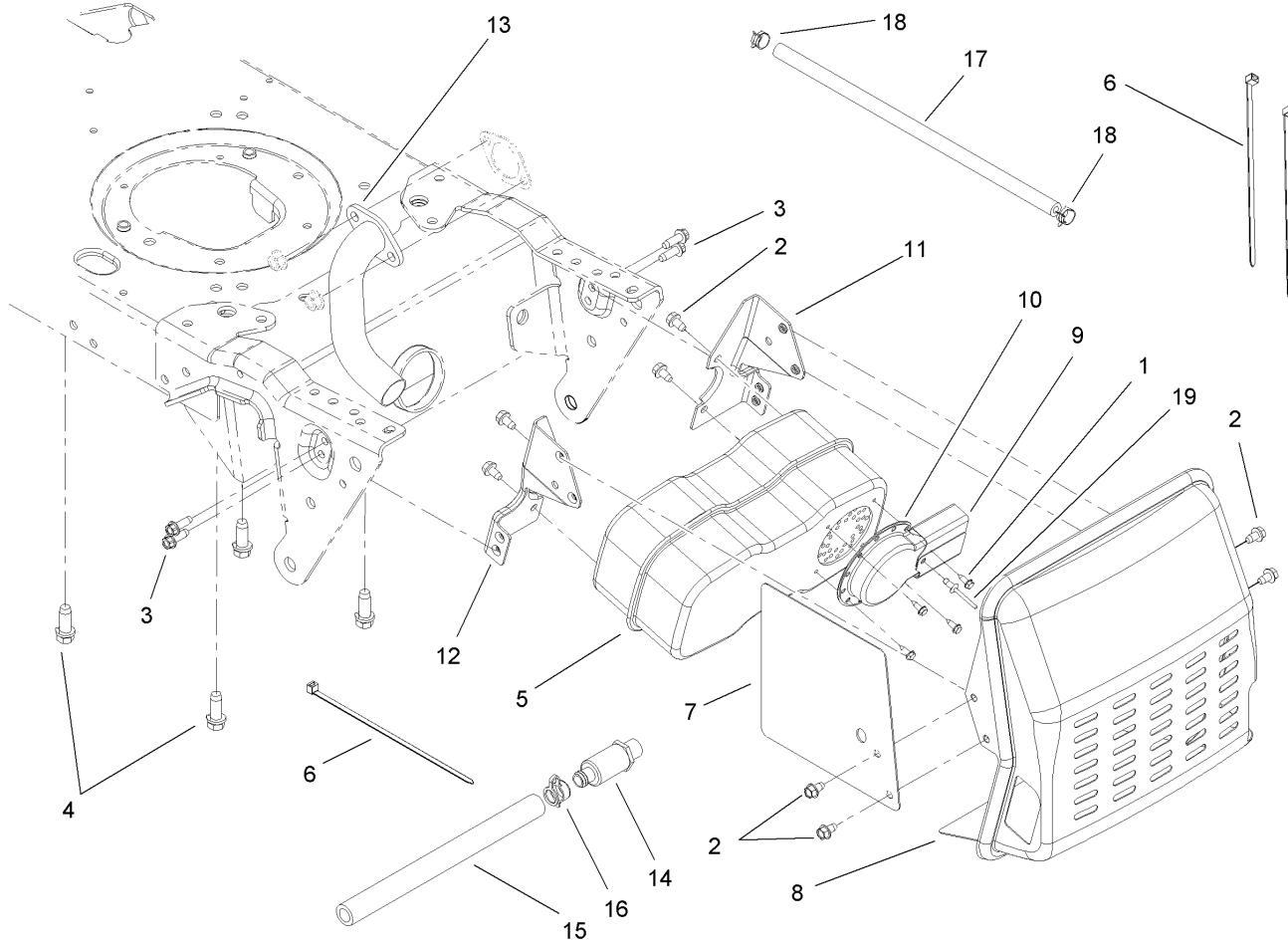
Ref	Part No.	Qty.	Description	Ref	Part No.	Qty.	Description
1	112-0626	1	Screw-HWHTF	26	112-0593	1	Bracket-Seat
2	112-0373	1	Screw-HH	27	112-0646	1	Bracket-Lift, LH
3	112-0524	1	Screw-HWHTF	28	112-0363	1	Seat-Back, Medium
4	112-0556	1	Screw-HWH	29	112-0540	1	Pad-Foot, RH
6	112-0509	1	Screw-HH, TAP	30	112-0545	1	Pad-Foot, LH
7	112-0907	1	Screw-CARR	31	112-3732	1	Grommet
9	112-0650	1	Nut-Lock, Flange	32	112-3733	1	Spacer
10	112-0471	1	Cover-Fender, RH	33	112-1260	1	Decal-Service (Toro Hotline)
11	112-0470	1	Cover-Fender, LH				
12	112-0635	1	Plate-Insulator				
13	112-0529	1	Switch-Spring				
14	112-0532	1	Switch-Spring, Inner				
15	112-0637	1	Plate-Boss, Insulator				
16	112-0549	1	Clip-Ratchet, Fastener				
17	112-0517	1	Washer-Lock, External				
18	112-0582	1	Washer-Flat				
19	112-5855	1	Fender And Decal ASM				
19:2	112-1262	1	Decal-Danger				
20	112-0629	1	Bracket-Adjusting, Lift				
21	112-0905	1	Bracket-Mount, Seat				
22	112-0409	1	Knob				
23	112-0616	1	Spring-Extension				
24	112-0575	1	Bolt-Shoulder				
25	112-0554	1	Bolt-Shoulder				



Fuel Tank and Hood Assembly

Ref	Part No.	Qty.	Description
1	112-0524	1	Screw-HWHTF
2	112-0587	1	Screw-HH, TAP
3	112-0472	1	Screw-HH, TAP
4	112-0509	1	Screw-HH, TAP
5	112-0550	1	Screw-TAP
6	112-0563	1	Screw-TAP
7	112-0478	1	Screw-PTH
8	112-0515	1	Nut-Hex
9	112-0526	1	Lever-Cruise
10	112-0580	1	Lever-Brake
11	112-0518	1	Dash
12	112-0474	1	Knob-Control
13	112-0485	1	Washer-Spring
14	112-0604	1	Rod-Lever, Bent
15	112-0583	1	Support-Dash, RH
16	112-0591	1	Support-Dash, LH
17	112-5809	1	Bracket-PTO
18	112-0444	1	Hood
19	112-0906	1	Screw-HWHTF
20	112-0381	1	Grill
21	112-0597	1	Bolt-Shoulder
22	112-0555	1	Bracket-Pivot
23	112-0727	1	Bracket-Pivot, Hood (RH)
24	112-0726	1	Bracket-Pivot, Hood (LH)

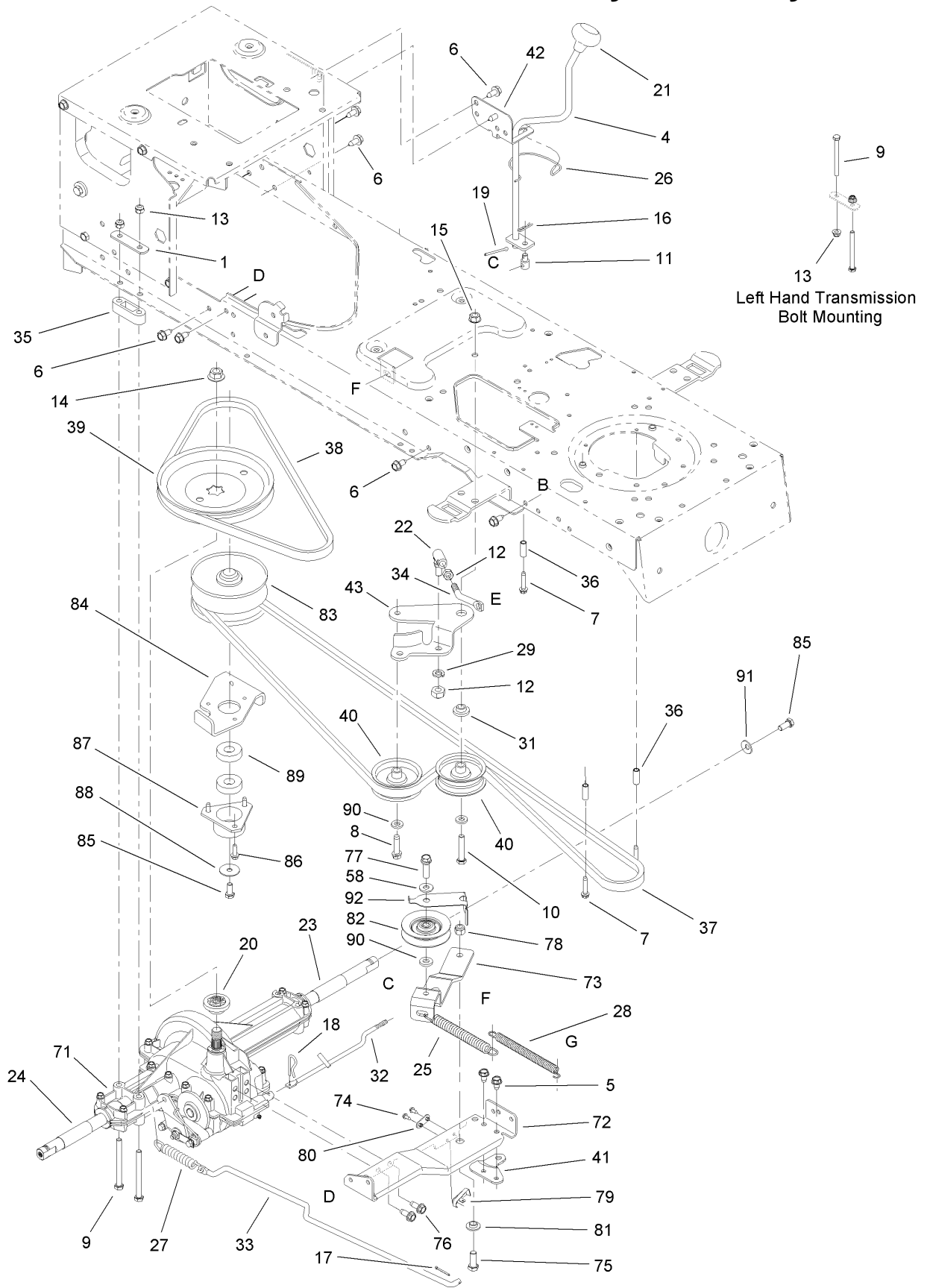
Ref	Part No.	Qty.	Description
25	112-3736	1	Bracket-Support, Hood
26	112-0678	1	Rod-Support
27	112-0321	1	Cap-Fuel
28	112-0414	1	Tank-Fuel, 3 Gallon
29	112-5802	1	Plenum-Hood
30	112-0447	1	Lens-RH
31	112-0446	1	Lens-LH
32	112-5810	1	Reflector-RH
33	112-5811	1	Reflector-LH
34	112-0408	1	Socket-Headlight
35	112-0402	1	Lamp-12V, Miniature
36	112-0312	1	Key-Ignition
37	112-0336	1	Meter-Indicator, Systems
38	112-0865	1	Module-Switch, Ignition
39	112-0489	1	Cable-Throttle And Choke
40	112-0480	1	Harness-Headlight
41	112-0595	1	Harness-Wiring
43	112-1271	1	Decal-Throttle, Dash
44	112-1280	1	Decal-Hood, Left Side
45	112-1285	1	Decal-Hood, Toro
46	112-1281	1	Decal-Hood, Right Side
47	112-5943	1	Fuse-20 Amp



Muffler Assembly

Ref	Part No.	Qty.	Description
1	112-0626	1	Screw-HWHTF
2	112-0524	1	Screw-HWHTF
3	112-0587	1	Screw-HH, TAP
4	112-0663	1	Screw-TAP
5	112-5826	1	Muffler-Inlet, Single
6	112-0527	1	Tie-Cable
7	112-5827	1	Shield-Heat
8	112-0457	1	Muffler Shield ASM
9	112-0730	1	Deflector-Muffler, Long
10	112-0453	1	Deflector-Muffler
11	112-0467	1	Bracket-Muffler, LH
12	112-0466	1	Bracket-Muffler, RH
13	112-0430	1	Pipe-Exhaust
14	112-0388	1	Drain-Oil
15	112-0553	1	Hose-Drain
16	112-0397	1	Cap-Drain, Oil
17	112-0720	1	Hose-Fuel
18	112-0573	1	Clamp-Hose
19	112-3741	1	Rivet-Pop

Transmission, Belt and Pulley Assembly

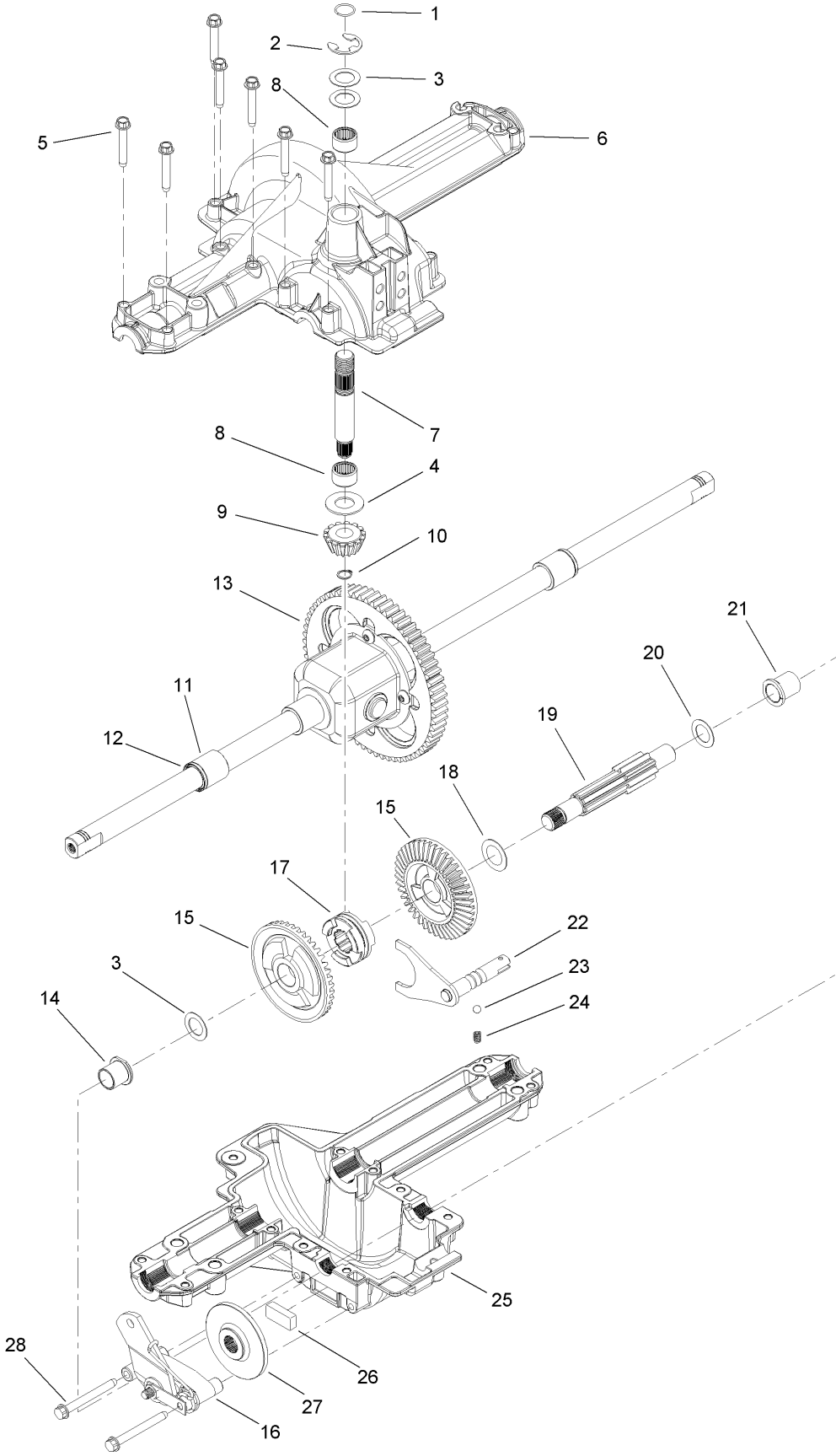


Transmission, Belt and Pulley Assembly

Ref	Part No.	Qty.	Description
1	112-0628	1	Bracket-Mounting, Transmission
4	112-0627	1	Shift Lever ASM
5	112-0676	1	Screw-TAP
6	112-0472	1	Screw-HH, TAP
7	112-0603	1	Screw-HH
8	112-0469	1	Screw-HH, TAP
9	112-0667	1	Screw-HH
10	112-0421	1	Screw-HH
11	112-0592	1	Ferrule-Adj
12	112-0343	1	Nut-Hex
13	112-0650	1	Nut-Lock, Flange
14	112-0451	1	Nut-Flange
15	112-0385	1	Nut-Lock, Flange
16	112-0459	1	Pin-Cotter
17	112-0568	1	Pin-Cotter
18	112-0639	1	Pin-Hair
19	112-0412	1	Pin-Cotter
20	112-0450	1	Hub-Pulley
21	112-0514	1	Knob-Shift
22	112-0306	1	Ball Joint ASM
23	112-0670	1	Sleeve
24	112-0683	1	Sleeve
25	112-5991	1	Spring-Extension
26	112-0357	1	Clip-Spring, Shifter
27	112-0350	1	Spring-Extension
28	112-0348	1	Spring-Extension
29	112-0415	1	Washer-Lock
31	112-0345	1	Spacer-Shoulder
32	112-0632	1	Rod-Shift
33	112-0655	1	Rod-Brake
34	112-0538	1	Rod-Adjustment, Idler
35	112-0673	1	Spacer-Transaxle
36	112-0644	1	Spacer
37	112-0301	1	Belt-Drive, Variable Speed
38	112-0305	1	Belt-Drive, Transmission
39	112-0379	1	Pulley-V (W/Hub)
40	112-3687	1	Pulley-Idler, Flat
41	112-5813	1	Bracket-Shift
42	112-0638	1	Bracket-Shift
43	112-0525	1	Bracket-Idler, Center Double
58	112-0541	1	Washer-Flat
71	112-0368	1	Single Speed Transmission ASM
72	112-0552	1	Bracket-Torque
73	112-0434	1	Bracket-Idler
74	112-0626	1	Screw-HWHTF
75	112-0492	1	Screw-HH
76	112-0556	1	Screw-HWH
77	112-0469	1	Screw-HH, TAP
78	112-0417	1	Nut-Lock, Hex
79	112-0602	1	Switch-Spring, Short
80	112-0625	1	Plate-Insulator
81	112-0360	1	Spacer-Shoulder

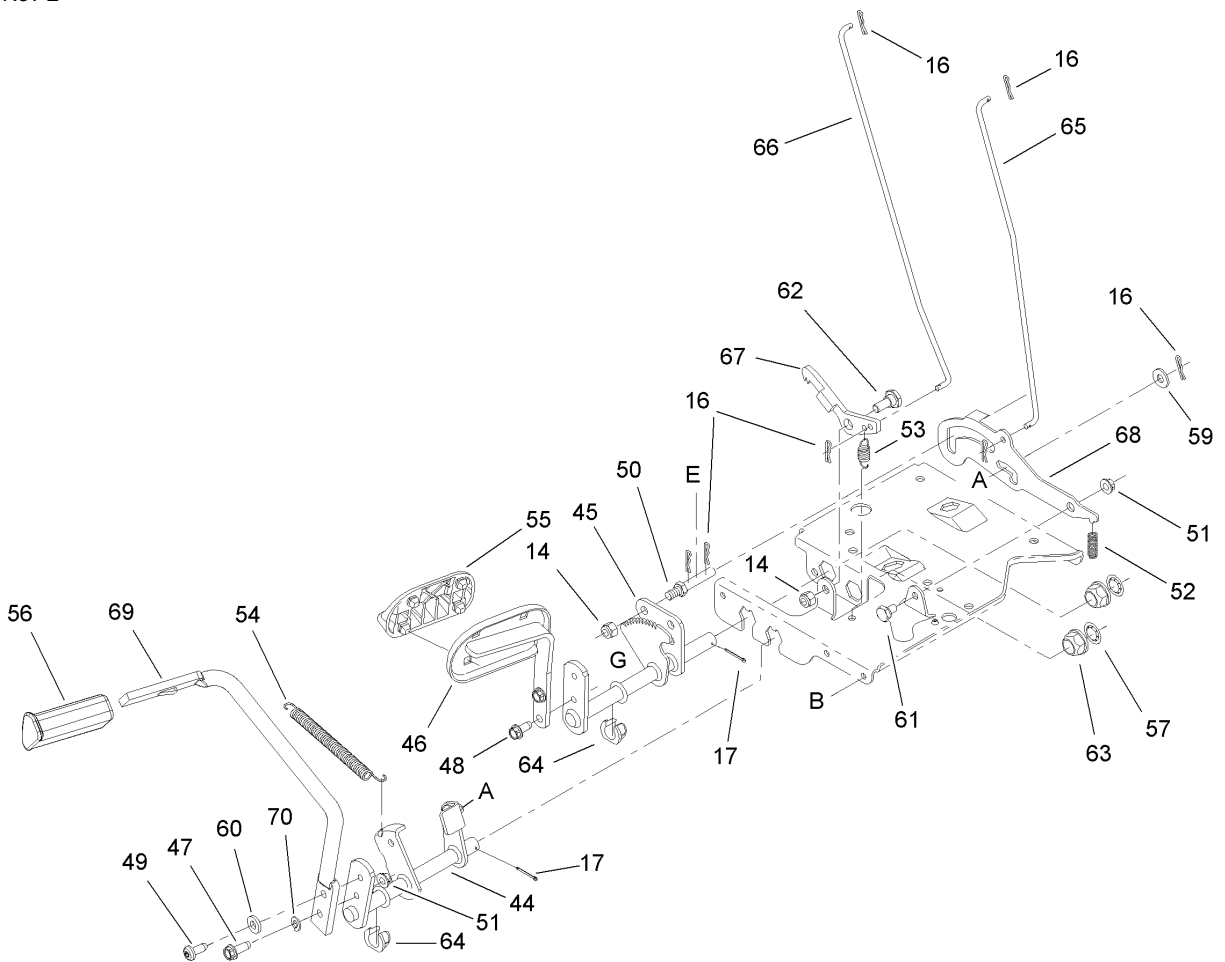
Ref	Part No.	Qty.	Description
82	112-0892	1	Pulley-Idler, V-Type
83	112-0364	1	Variable Speed Pulley ASM
84	112-0596	1	Bracket-Pulley
85	112-0551	1	Screw-HH
86	112-0587	1	Screw-HH, TAP
87	112-0520	1	Cup-Bearing
88	112-0500	1	Washer-Flat
89	112-0423	1	Bearing-Ball
90	112-0544	1	Washer-Flat
91	112-0435	1	Washer-Bell
92	112-5883	1	Guide-Belt, Traction

Single Speed Transmission Assembly No. 112-0368



Single Speed Transmission Assembly No. 112-0368

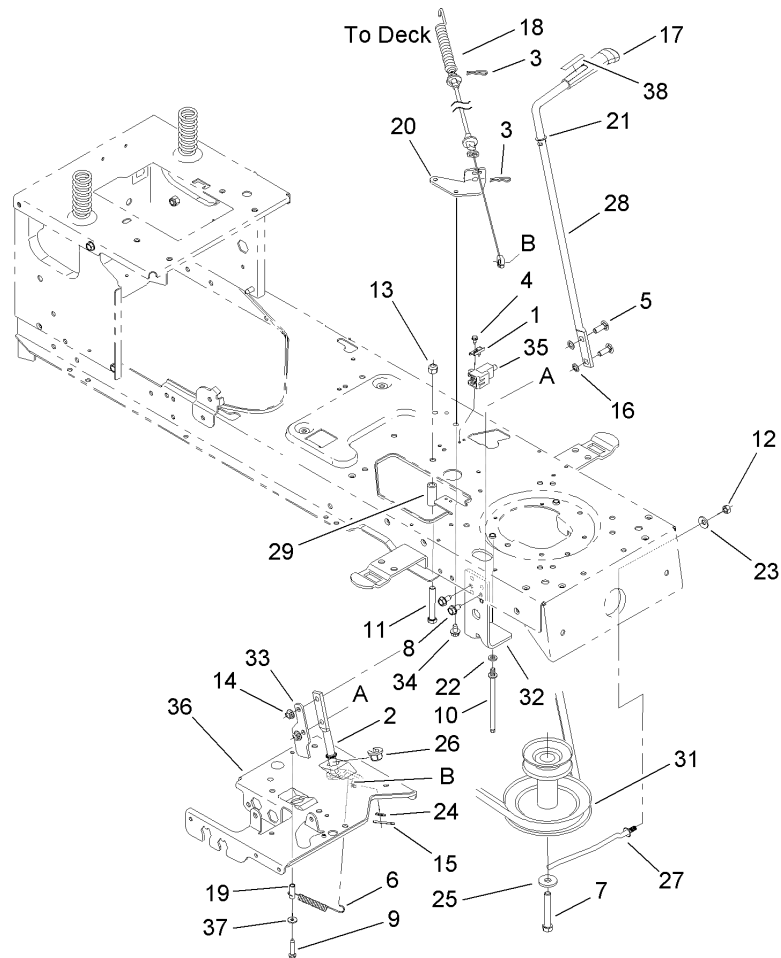
Ref	Part No.	Qty.	Description				
1	112-0819	1	Ring-Wire				
2	112-0756	1	Ring-E				
3	112-0745	1	Washer-Flat				
3	112-0748	1	Washer-Flat				
3	112-0750	1	Washer-Flat				
4	112-0769	1	Washer-Thrust				
5	112-0839	1	Screw-TAP				
6	112-0833	1	Housing-Upper				
7	112-0826	1	Shaft-Input				
8	112-0808	1	Bearing-Needle				
9	112-0807	1	Pinion-Input, 14T				
10	112-0809	1	Ring-Snap				
11	112-5944	1	Sleeve-Bearing				
12	112-0800	1	Seal				
13	112-0823	1	Differential ASM				
14	112-0794	1	Bearing-Flange				
15	112-0796	1	Gear-Bevel, 42T				
16	112-0832	1	Brake ASM				
17	112-0840	1	Collar-Clutch				
18	112-5945	1	Washer-Flat				
19	112-0841	1	Shaft-Drive				
20	112-0755	1	Washer-Thrust				
21	112-0795	1	Bearing-Flange				
22	112-0806	1	Shift Fork ASM				
23	112-0799	1	Ball-Detent				
24	112-0801	1	Spring-Detent				
25	112-0834	1	Housing-Lower				
26	112-0741	1	Puck-Brake				
27	112-0817	1	Disc-Brake				
28	112-0698	1	Screw-HWH				



Brake and Traction Pedal Assembly

Ref	Part No.	Qty.	Description
14	112-0668	1	Nut-Lock, Flange
16	112-0459	1	Pin-Cotter
17	112-0568	1	Pin-Cotter
44	112-0648	1	Brake Control ASM
45	112-0539	1	Speed Control ASM
46	112-0680	1	Pedal ASM
47	112-0404	1	Screw-HWHTF
48	112-0395	1	Screw-HWH
49	112-0563	1	Screw-TAP
50	112-0599	1	Pin
51	112-0511	1	Nut-Lock, Flange
52	112-0506	1	Spring
53	112-0510	1	Spring-Extension
54	112-0348	1	Spring-Extension
55	112-0543	1	Pad-Pedal
56	112-0530	1	Pad-Brake
57	112-0339	1	Washer-Flat
59	112-0572	1	Washer-Flat
60	112-0579	1	Washer-Flat
61	112-5817	1	Bolt-Shoulder
62	112-0442	1	Bolt-Shoulder
63	112-0347	1	Bearing-Flange
64	112-0387	1	Bearing-Flange, Hex (Split)
65	112-0675	1	Rod-Brake, Lock Control

Ref	Part No.	Qty.	Description
66	112-0662	1	Rod-Control, Cruise
67	112-0696	1	Latch-Cruise
68	112-5816	1	Bracket-Lock Out
69	112-3738	1	Pedal-Brake
70	112-0366	1	Washer-Lock

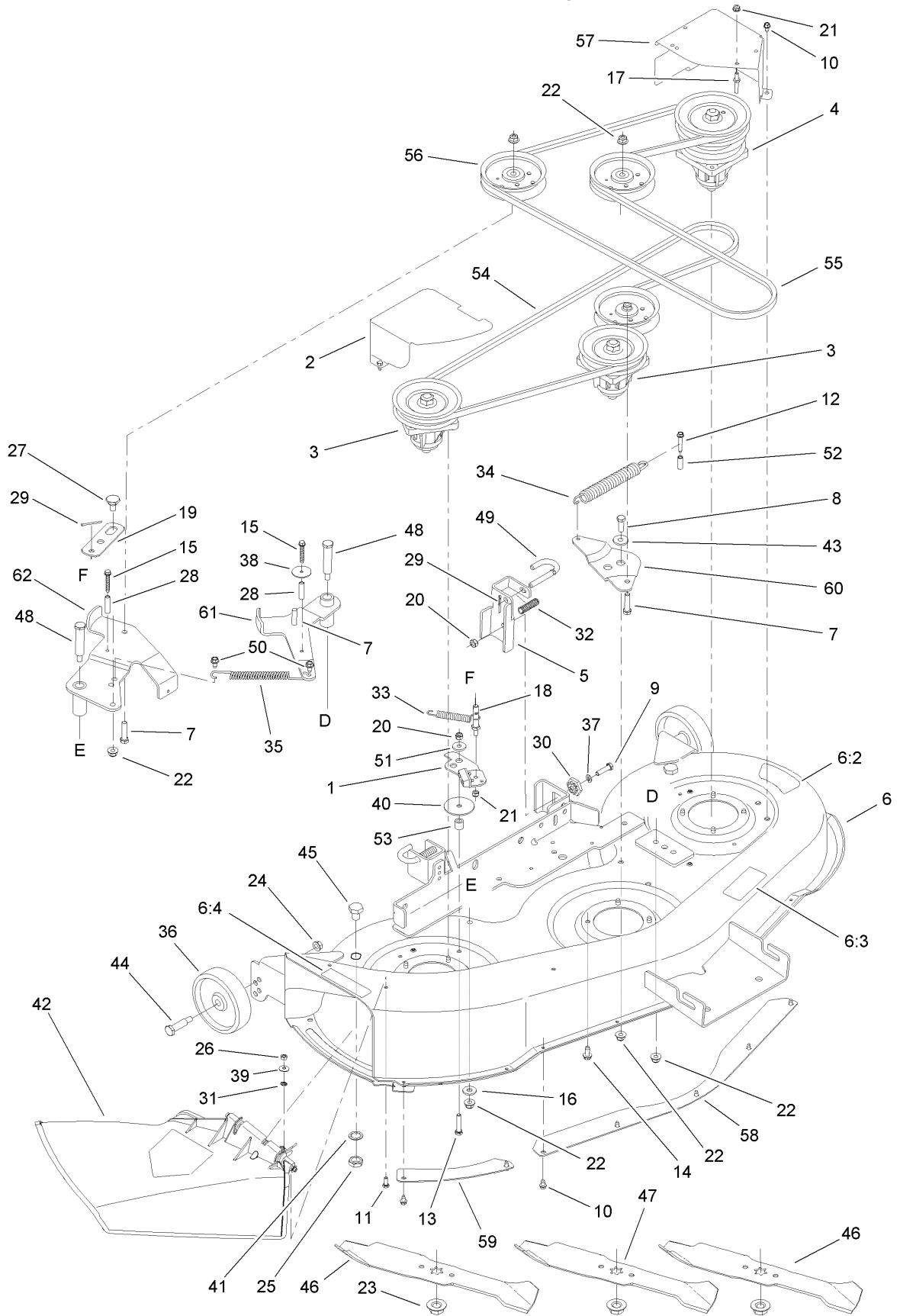


PTO Engage Assembly

Ref	Part No.	Qty.	Description
1	112-0671	1	Plate-Switch
2	112-0658	1	Lever-Engage, PTO
3	112-0398	1	Pin-Click
4	112-0651	1	Screw-HH, TAP
5	112-0598	1	Bolt-CARR
6	112-0567	1	Spring-Extension
7	112-5819	1	Screw-HH
8	112-0472	1	Screw-HH, TAP
9	112-0843	1	Screw-HWH
10	112-0318	1	Pin-Guard, Belt
11	112-0700	1	Screw-HH
12	112-0650	1	Nut-Lock, Flange
13	112-0668	1	Nut-Lock, Flange
14	112-0511	1	Nut-Lock, Flange
15	112-0412	1	Pin-Cotter
16	112-0645	1	Nut-Push
17	112-0449	1	Knob-PTO
18	112-0504	1	Cable-Engage, Deck
19	112-0644	1	Spacer
20	112-0649	1	Bracket-Cable
21	112-0498	1	Washer-Flat
22	112-0366	1	Washer-Lock
23	112-0435	1	Washer-Bell
24	112-0601	1	Washer-Flat

Ref	Part No.	Qty.	Description
25	112-0380	1	Washer-Flat
26	112-0384	1	Bearing-Flange, Hex (Split)
27	112-5820	1	Rod-Keeper, Belt
28	112-0393	1	Handle-Engage, Deck
29	112-0433	1	Spacer
31	112-0333	1	Pulley-Engine
32	112-0689	1	Bracket-Deck, Up Stop
33	112-0516	1	Bracket-Stop
34	112-0676	1	Screw-TAP
35	112-0455	1	Switch-Interlock
36	112-0681	1	Bracket-Support, Steering
37	112-3695	1	Washer-Flat
38	112-1274	1	Decal-PTO, Manual

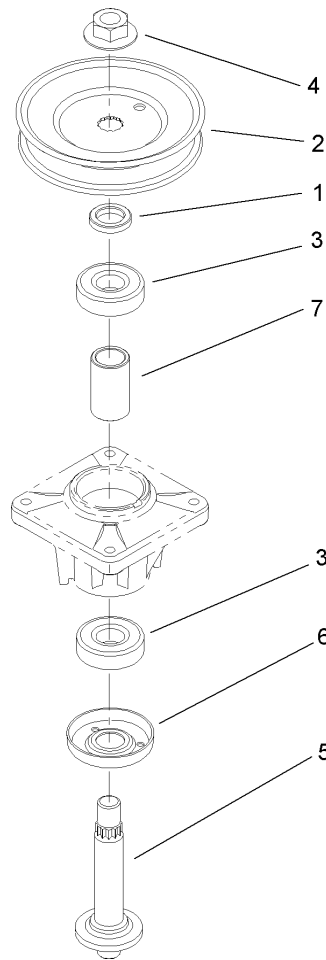
Deck Assembly



Deck Assembly

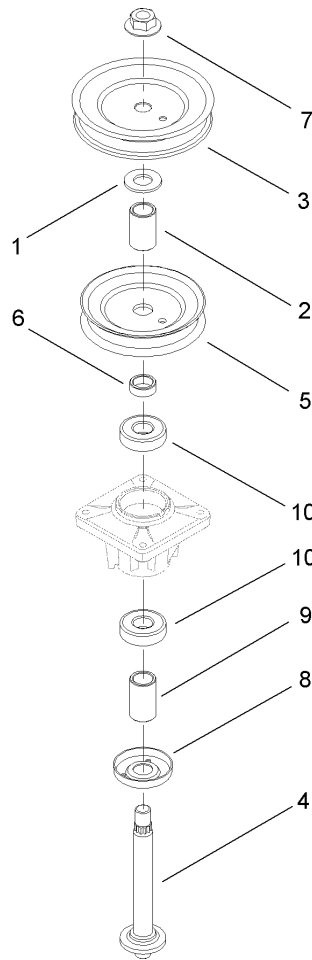
Ref	Part No.	Qty.	Description
1	112-0326	1	Deck Brake Bracket ASM
2	112-0401	1	Cover-Belt, RH
3	112-0311	1	Spindle ASM
4	112-0383	1	Double Pulley Spindle ASM
5	112-0413	1	LH Hanger Bracket ASM
6	112-5856	1	Deck And Decal ASM
6:2	112-1267	1	Decal-Danger
6:3	112-1269	1	Decal-Routing, Belt
6:4	112-1265	1	Decal-Danger
7	112-0578	1	Screw-HH
8	112-0492	1	Screw-HH
9	112-0373	1	Screw-HH
10	112-0524	1	Screw-HWHTF
11	112-0499	1	Screw-HH
12	112-0843	1	Screw-HWH
13	112-0594	1	Screw-HH
14	112-0395	1	Screw-HWH
15	112-5828	1	Screw-HH
16	112-5829	1	Washer-Flat
17	112-0429	1	Pin-Guard, Belt
18	112-0722	1	Pin
19	112-5830	1	Bracket-Brake
20	112-0650	1	Nut-Lock, Flange
21	112-0636	1	Nut-Lock, Flange
22	112-0668	1	Nut-Lock, Flange
23	112-0330	1	Nut-Flange, Hex
24	112-0385	1	Nut-Lock, Flange
25	112-0351	1	Nut-Hex
26	112-0522	1	Nut-Hex
27	112-0328	1	Bolt-Shoulder
28	112-5831	1	Spacer
29	112-0412	1	Pin-Cotter
30	112-0327	1	Gear-Adjustment, Deck
31	112-0623	1	Retainer-Bolt
32	112-0406	1	Spring-Compression
33	112-0320	1	Spring-Extension
34	112-0324	1	Spring-Extension
35	112-0432	1	Spring-Extension
36	112-0337	1	Wheel-Deck, Rear
37	112-0366	1	Washer-Lock
38	112-5832	1	Washer-Flat
39	112-0485	1	Washer-Spring
40	112-0560	1	Washer-Flat
41	112-0643	1	Washer-Lock
42	112-0353	1	Discharge Chute ASM
43	112-0508	1	Spacer-Shoulder
44	112-0334	1	Bolt-Shoulder
45	112-0577	1	Plug
46	112-0304	1	Blade-16.28 Inch
47	112-0302	1	Blade-14.88 Inch
48	112-5833	1	Bolt-Shoulder
49	112-0436	1	Pin-Handle, Deck Release

Ref	Part No.	Qty.	Description
50	112-0597	1	Bolt-Shoulder
51	112-0410	1	Spacer-Shoulder
52	112-0644	1	Spacer
53	112-0633	1	Spacer
54	112-0317	1	Belt
55	112-5834	1	Belt-V
56	112-0314	1	Pulley-Idler
57	112-0431	1	Cover-Belt, LH
58	112-0464	1	Skirt-Center, Deck
59	112-0400	1	Skirt-RH, Deck
60	112-0666	1	Bracket-Idler
61	112-0495	1	LH Idler Bracket ASM
62	112-0494	1	RH Idler Bracket ASM



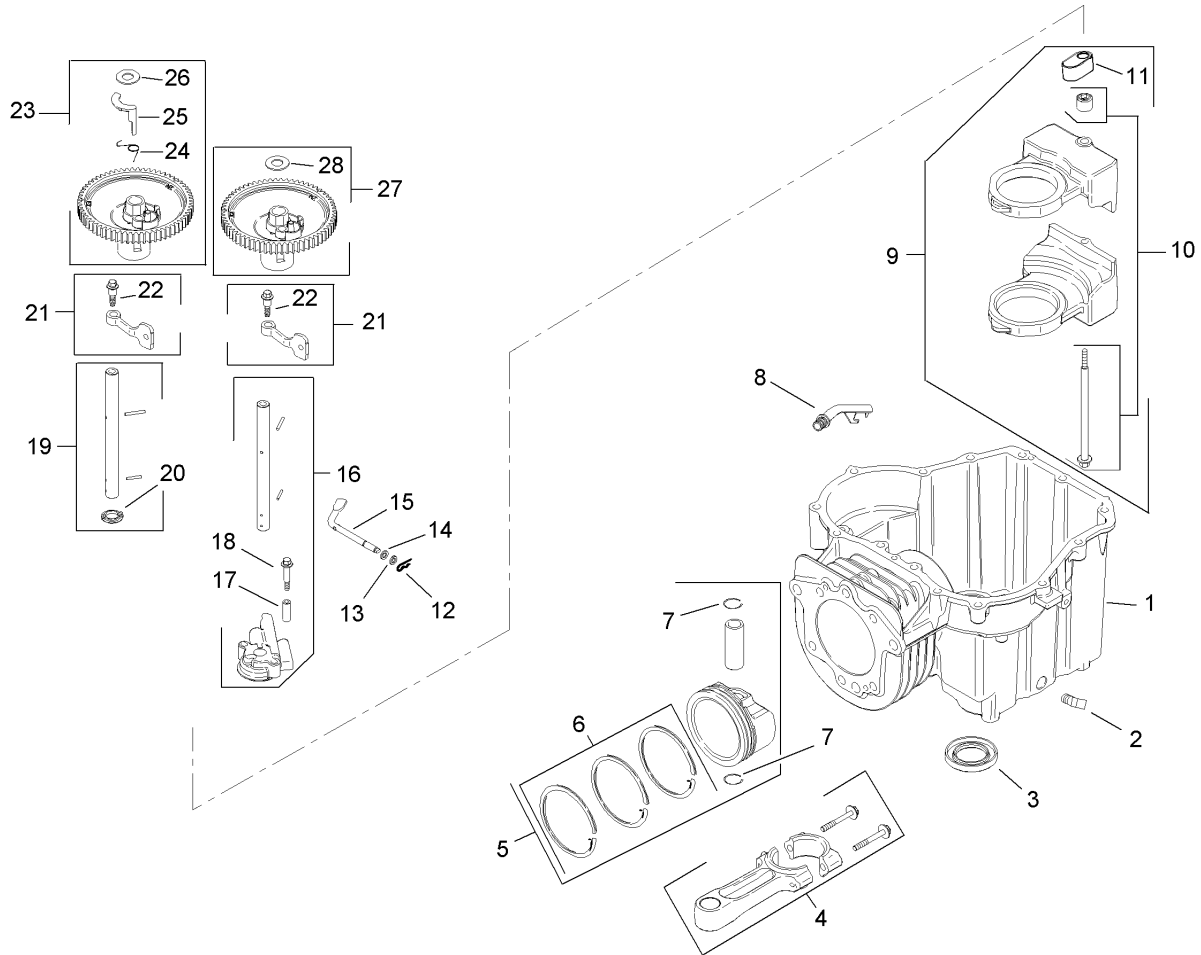
Single Pulley Spindle Assembly No. 112-0311

Ref	Part No.	Qty.	Description
1	112-0600	1	Spacer
2	112-0358	1	Pulley-Deck
3	112-0377	1	Bearing-Ball
4	112-0330	1	Nut-Flange, Hex
5	112-5922	1	Shaft-Spindle
6	112-5923	1	Bearing-Shoulder
7	112-0654	1	Spacer



Double Pulley Spindle Assembly No. 112-0383

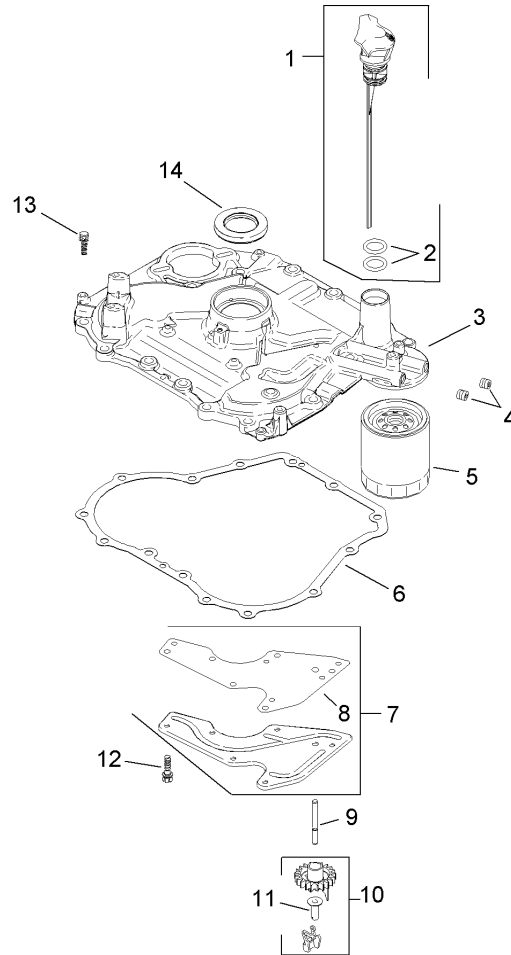
Ref	Part No.	Qty.	Description	
1	112-0921	1	Washer-Flat	
2	112-5927	1	Spacer	
3	112-0382	1	Pulley-Deck	
4	112-5928	1	Shaft-Spindle	
5	112-0359	1	Pulley-Deck	
6	112-5929	1	Spacer	
7	112-0330	1	Nut-Flange, Hex	
8	112-5923	1	Bearing-Shoulder	
9	112-0654	1	Spacer	
10	112-0377	1	Bearing-Ball	



Crankcase Assembly Kohler SV600-0018

Ref	Part No.	Qty.	Description
② ③ 1		1	Crankcase (Use: Short Block 20 522 01)
②	25 139 57-S	1	Plug-Solid, Square Head (.38)
③	20 032 01-S	1	Seal-Oil
④	20 067 04-S	1	Connecting Rod ASM
⑤	20 874 01-S	1	Piston W/Ring Set (94 Mm) (Includes 6-7)
⑥	20 108 01-S	1	Ring Set (94 Mm)
⑦	20 018 04-S	2	Retainer-Pin, Piston
⑧	20 123 02-S	1	Tube-Back, Drain
⑨	20 755 04-S	1	Balance Weight Kit (Includes 10-11)
⑩	20 086 16-S	1	Screw And Guide Pin Kit
⑪	20 423 02-S	1	Shoe-Guide
⑫	12 154 05-S	1	Clip-Pin, Hitch
⑬	M-631015-S	1	Washer-Flat (6Mm)
⑭	X-25-102-S	1	Washer-Flat (1/4)
⑮	20 144 02-S	1	Shaft-Cross, Governor
⑯	20 393 02-S	1	Oil Pump ASM (Includes 17-18)
⑰	20 112 02-S	2	Spacer-Screw, Oil Pump
⑱	20 086 13-S	2	Screw-Pump, Oil
⑲	20 144 06-S	1	Shaft-Cam, Center - Exhaust (Includes 20)
⑳	20 468 01-S	1	Washer-Thrust
㉑	20 090 01-S	2	Cam Lever ASM (Includes 22)

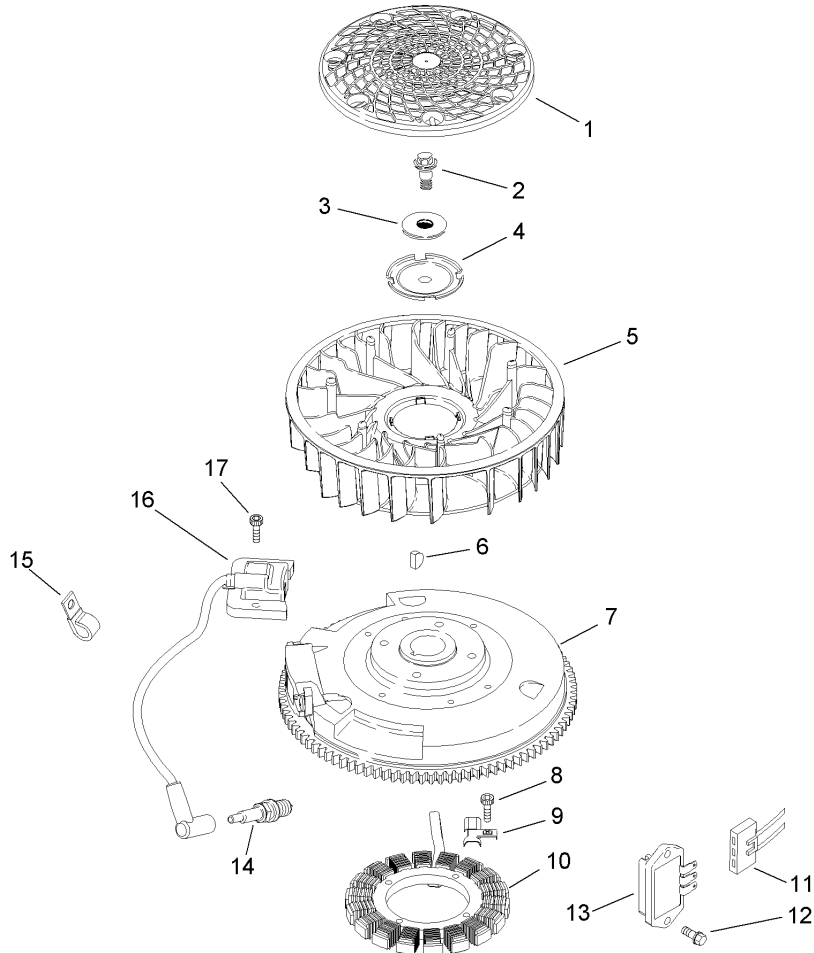
Ref	Part No.	Qty.	Description
㉒	20 086 06-S	1	Bolt-Shoulder (M6X1X26)
㉓	20 010 04-S	1	Cam Gear ASM - Intake (Includes 24-26)
㉔	20 089 06-S	1	Spring-A C R
㉕	20 044 16-S	1	Weight-A C R
㉖	20 468 03-S	1	Washer-Thrust, A C R
㉗	20 010 04-S	1	Cam Gear ASM - Intake (Includes 28)
㉘	20 468 03-S	1	Washer-Thrust, A C R



Oil Pan and Lubrication Assembly Kohler SV600-0018

Ref	Part No.	Qty.	Description
❶	20 040 03-S	1	Dipstick Kit (Includes 2)
❷	20 153 01-S	1	O Ring-Dipstick
❸	20 009 03-S	1	Closure Plate ASM (Includes 4, 10-11)
❹	25 139 60-S	2	Plug-Hex, Countersunk (.125)
❺	98020	1	Filter-Oil
❻	20 041 01-S	1	Gasket-Plate, Closure
❼	20 096 02-S	1	Oil Passage Cover Kit (Includes 8)
❽	20 041 02-S	1	Gasket-Passage, Oil
❾	20 144 03-S	1	Shaft-Gear, Governor
❿	20 310 03-S	1	Gear And Weight ASM (Includes 11)
⓫	12 380 01-S	1	Pin-Regulating, Governor
⓬	M-545013-S	6	Screw-Flange, Hex (M5X0.8X13)
⓭	M-851030-S	14	Screw-Flange, Hex (M8X1.25X30)
⓮	20 032 01-S	1	Seal-Oil

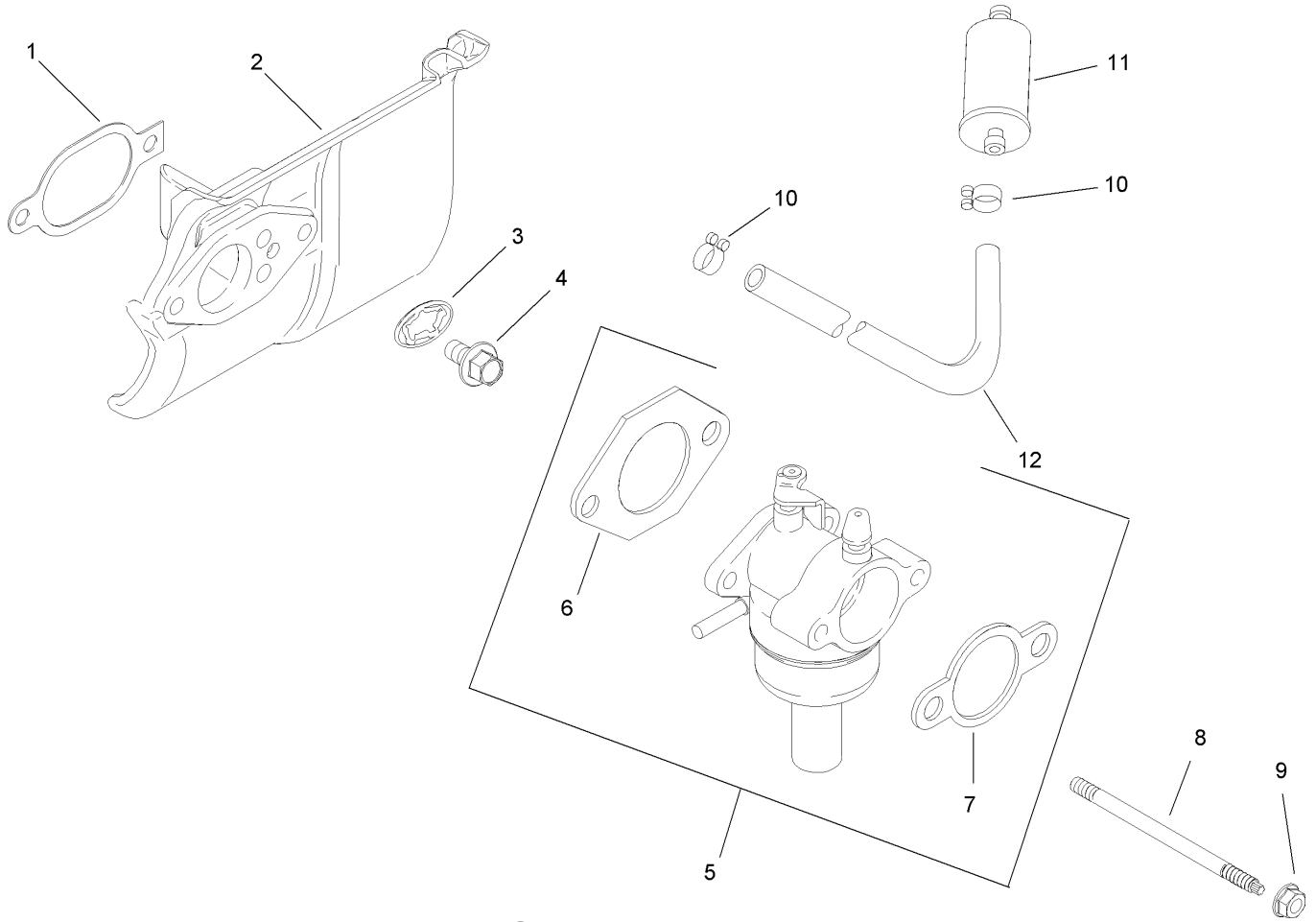
--	--	--	--



Ignition and Electrical Assembly Kohler SV600-0018

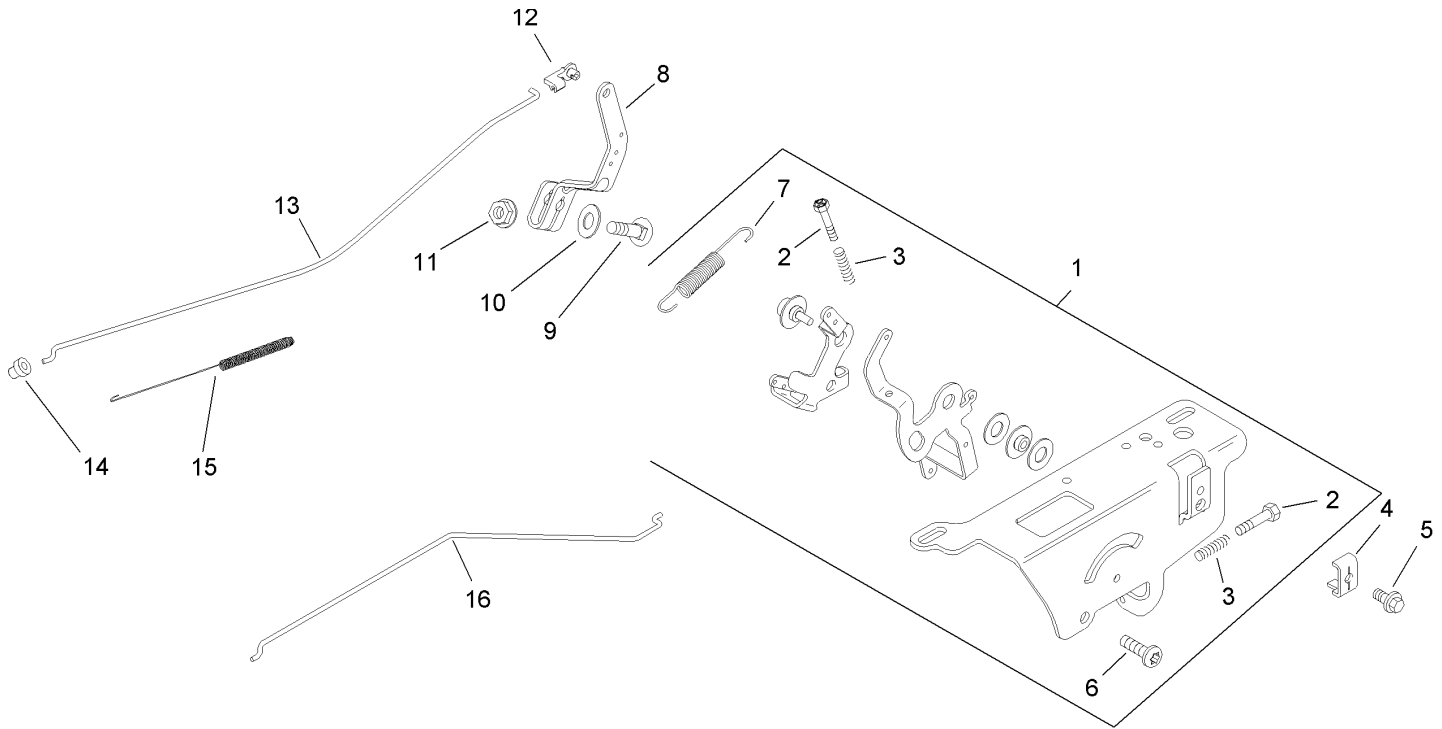
Ref	Part No.	Qty.	Description
1	20 162 02-S	1	Screen-Grass
2	12 086 14-S	1	Screw-Hex, Flange (M10X1.5X45)
3	12 468 03-S	1	Washer-Flat (.38)
4	20 146 02-S	1	Plate-Fan Mounting
5	20 157 01-S	1	Fan
6	X-42-15-S	1	Key (.19 X .62)
7	20 025 05-S	1	Flywheel
8	20 086 17-S	2	Screw-Socket, Hex (M5X0.8X25)
9	20 154 03-S	1	Clip-Wire
10	237878-S	1	Stator Kit (15 Amp)
11	236602-S	1	Connector (3 Contact)
12	M-545020-S	2	Screw-HHFTF (M5X0.8X20)
13	41 403 09-S	1	Rectifier-Regulator
14	77-7330	1	Plug-Spark
15	231285-S	2	Clip-Cable
16	20 584 01-S	1	Module-Ignition
17	M-561025-S	2	Screw-Socket, Hex (M5X0.8X25)
18	20 176 01-S	1	Harness-Wiring (Six Pin)

--	--	--	--



Fuel System Assembly Kohler SV600-0018

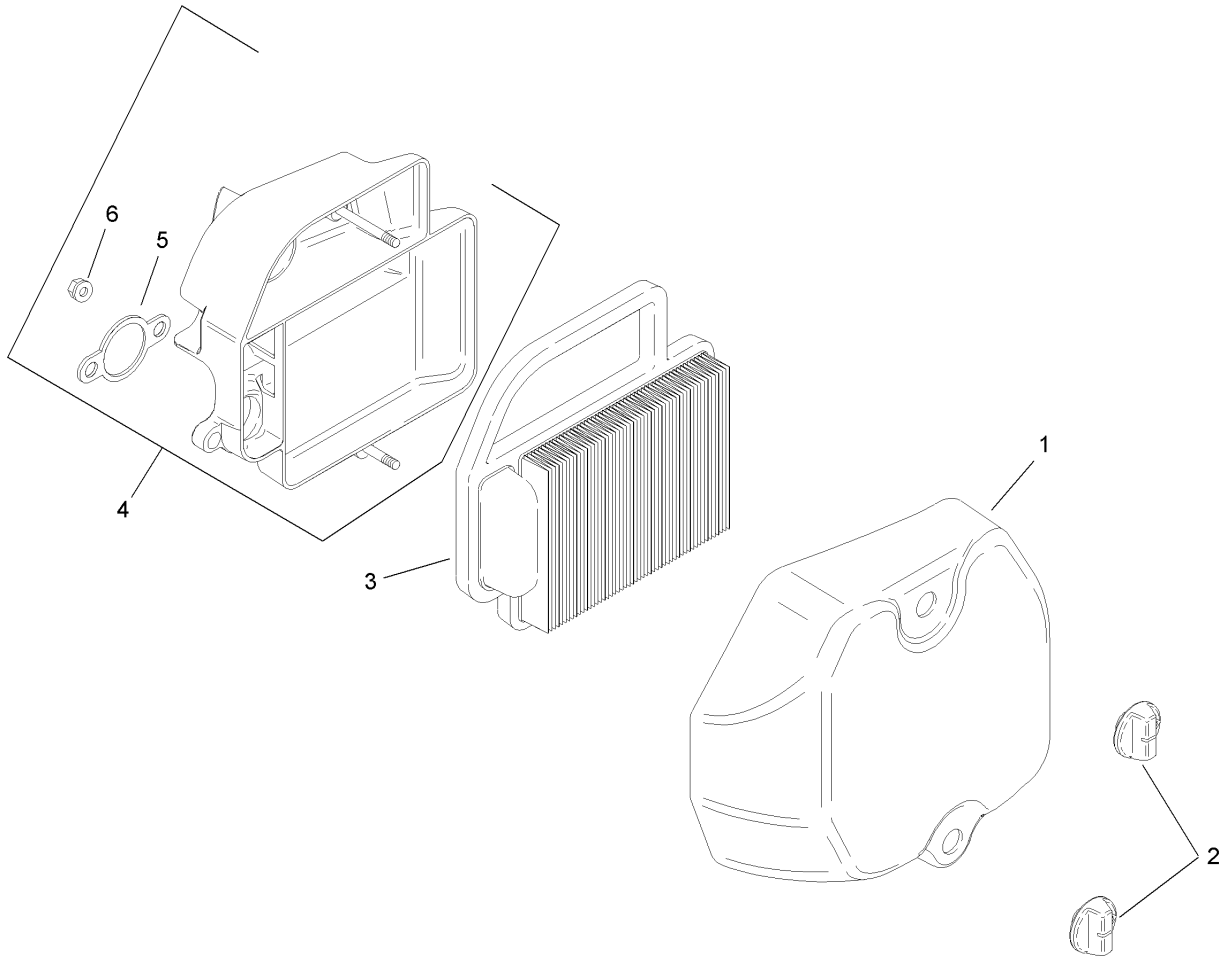
Ref	Part No.	Qty.	Description
1	20 041 07-S	1	Gasket-Deflector, Heat
2	20 265 01-S	1	Deflector-Heat
3	X-22-11-S	1	Washer-Lock, Internal Tooth (1/4)
4	M-651020-S	1	Screw-Flange, Hex (M6X1.0X20)
5	20 853 14-S	1	Carburetor ASM W/Gaskets (Includes 6-7)
6	12 041 02-S	1	Gasket-Base, Air Cleaner
7	12 041 01-S	1	Gasket-Carburetor
8	20 072 05-S	1	Stud-Mounting, Carburetor (M6X1.0X100)
9	M-641060-S	2	Nut-Hex, Flange (M6X1.0)
10	25 237 14-S	2	Clamp-Hose
11	98021	1	Filter-Fuel
12	25 353 14-S	1	Line-Fuel, 7 Inch
13	12 757 02-S	1	Float Repair Kit
14	12 757 03-S	1	Carburetor Repair Kit
15	12 757 33-S	1	Solenoid Repair Kit
16	12 757 37-S	1	Bowl Replacement Repair Kit
17	20 755 06-S	1	High Altitude Kit (5, 000 Ft)
18	20 755 07-S	1	High Altitude Kit (10, 000 Ft)
19	12 454 03-S	1	Tie-Wire



Engine Control Assembly Kohler SV600-0018

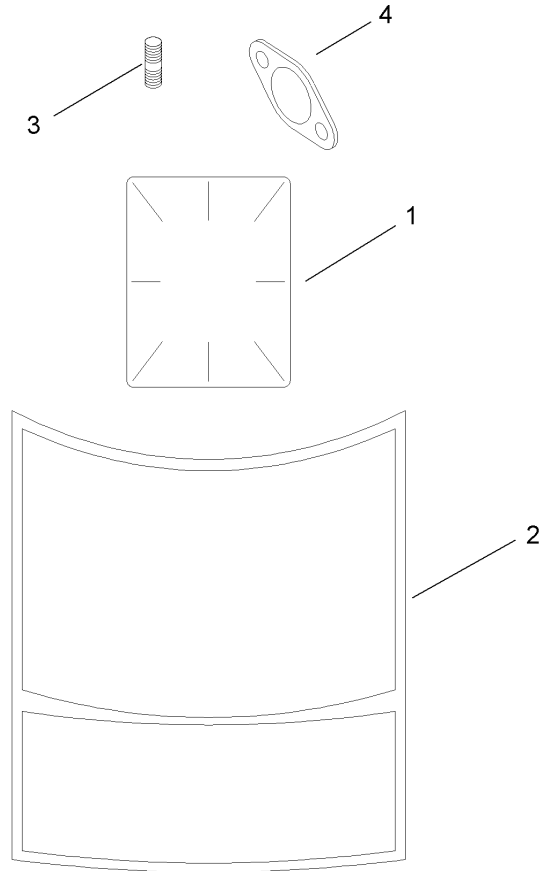
Ref	Part No.	Qty.	Description
❶	20 536 05-S	1	Speed Control ASM (Includes 2-3, 6-7)
❷	20 086 10-S	2	Screw-Thread Forming (M4X0.7X25)
❸	12 089 11-S	2	Spring-Control, Speed
❹	12 237 01-S	1	Clamp-Cable
❺	M-545016-S	1	Screw-HHFTF (M5X0.8X16)
❻	M-664020-S	2	Screw-Socket, 6 Lobed (Thread Forming, M6X1.0X20)
❼	20 089 11-S	1	Spring-Governor
❽	20 090 02-S	1	Lever-Governor
❾	52 211 04-S	1	Bolt-Square Neck, Round Head (1/4-20X1)
❿	X-22-11-S	1	Washer-Lock, Internal Tooth (1/4)
⓫	12 100 07-S	1	Nut-Flange, Hex (1/4-20)
⓬	25 158 11-S	1	Bushing-Linkage, Throttle
⓭	20 079 04-S	1	Linkage-Throttle
⓮	25 158 08-S	1	Bushing-Retaining, Linkage
⓯	20 089 10-S	1	Spring-Linkage
⓰	20 079 05-S	1	Linkage-Choke (Single Wire)

--	--	--	--



Air Intake and Filtration Assembly Kohler SV600-0018

Ref	Part No.	Qty.	Description
❶	20 096 04-S	1	Cover-Cleaner, Air
❷	25 341 04-S	2	Knob-Cover
❸	98018	1	Element-Air Cleaner
❹	20 094 01-S	1	Air Cleaner Base Kit (Includes 5-6)
❺	12 041 02-S	1	Gasket-Base, Air Cleaner
❻	M-641060-S	1	Nut-Hex, Flange (M6X1.0)



Artwork is representative.
Actual labels may differ depending on model and specification number.

Exhaust Stud and Decal Assembly Kohler SV600-0018

Ref	Part No.	Qty.	Description
❶	25 113 39-S	1	Decal-Laminate, Clear
❷	20 113 14-S	1	Decal-20 Hp
❸	25 072 04-S	2	Stud (M8X1.25X33)
❹	20 041 12-S	1	Gasket-Exhaust

Attachments and Accessories

For 13AX60RH744 - LX460 Lawn Tractor

Product Name	Model/Part
Washout Port Kit	112-5803
42 Inch Two-Stage Snowthrower	190-032-101
46 Inch Twin Bagger	190-182-190
46 Inch Front Blade	190-833-000
8 Inch Rear Wheel Weight Kit	59159
Spark Plug	77-7330
46 Inch Mulch Kit	77215
10 cu. ft. Dump Cart	79901
10 cu. ft. Poly Dump Cart	79935
Folding Loading Ramp	79949
Sweeper	79985
Tire Chain Kit	82722
Filter-Air	98018
Filter-Oil	98020
Filter-Fuel	98021
Blade Kit (3 Blades, 46 Inch Decks)	98023

