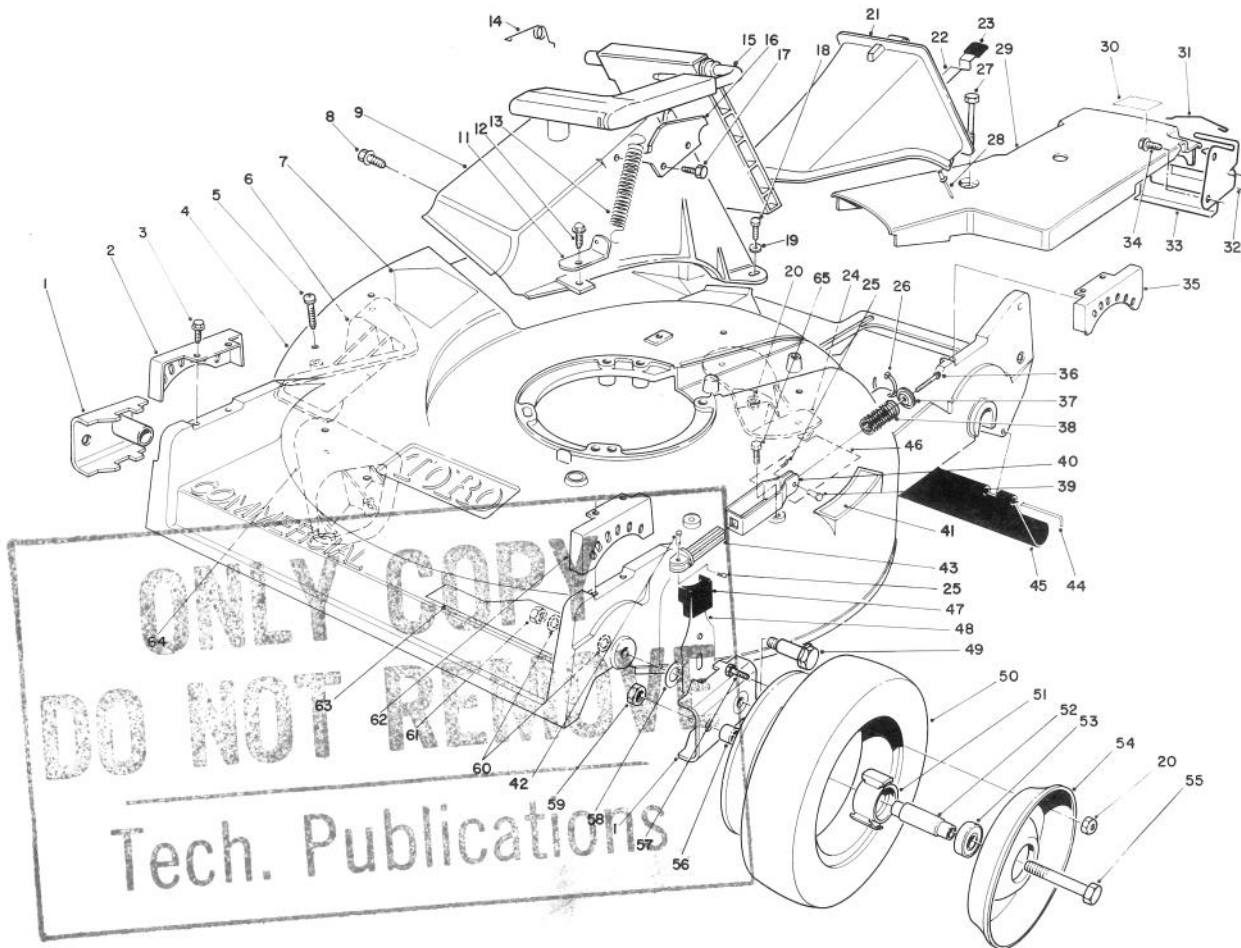




MODEL NO. 22151-390001 & UP

**PARTS
CATALOG**

**PROLINE 21"
RECYCLER® Mower**



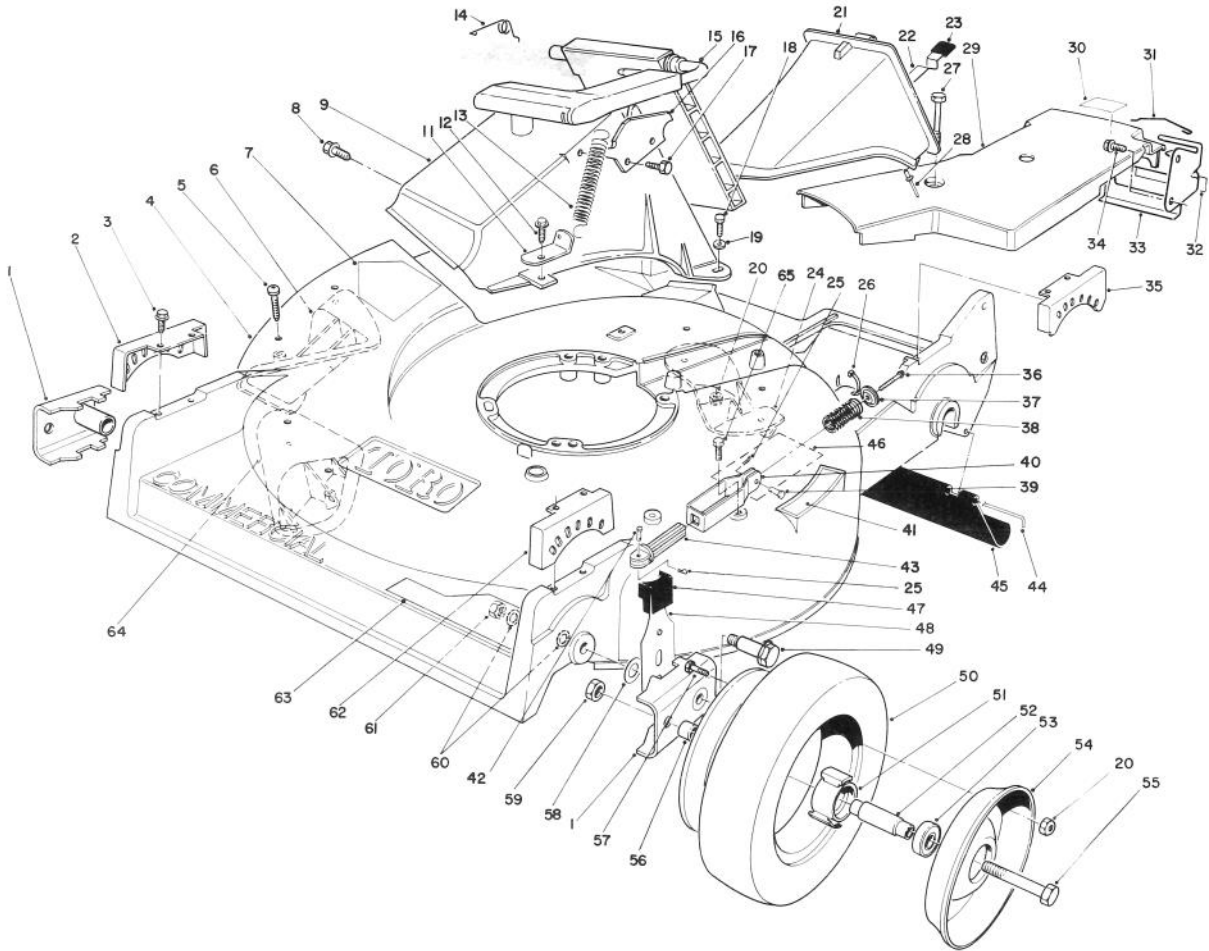
C-1135

HOUSING ASSEMBLY

Ref. No.	Part No.	Description	No. Used
1	61-8300	Pivot Arm Assembly	2
2	49-8770	Quadrant - Front R.H.	1
3	49-2040	Screw - Thread Forming	8
4	14-9479	Housing - Commercial (Incl. Ref. #5-7, 24, & 64)	1
5	32144-111	Screw - Pan Hd.	6
6	92-1730	Kicker	1
7	43-8480	Decal - Danger	1
8	46-6810	Screw - Thread Forming	1
9	82-9150	Chute - Discharge	1
11	71-9350	Bracket - Spring	1
12	46-6811	Screw - Thread Forming	1
13	76-4660	Spring	1
14	80-3770	Retainer - Door	1
15	77-0200	Door Assembly	1
16	76-4570	Plate - Latch	1
17	46-8090	Screw - Self Tapping	2

Ref. No.	Part No.	Description	No. Used
18	321-7	Screw - Hex Hd. Cap	2
19	3256-22	Washer - Flat	2
20	3296-42	Nut - Lock	10
21	77-0500	Plug - Discharge (Incl. Ref. #22, 23, & 28)	1
22	76-4640	Latch - Plug	1
23	76-4650	Grip - Latch	1
24	92-1750	Plate - Kicker	1
25	3272-1	Pin - Cotter	2
26	3290-378	Tie - Cable	1
27	37-7260	Screw - Special	2
28	3295-35	Rivet	1
29	741770	Cover - Belt	1
30	52-2620	Label - Grease	1
31	46-7030	Retainer - Cable	1
32	74-1970	Decal - Traction Drive	1
33	74-1741	Bracket - Traction Adj.	1

TPS



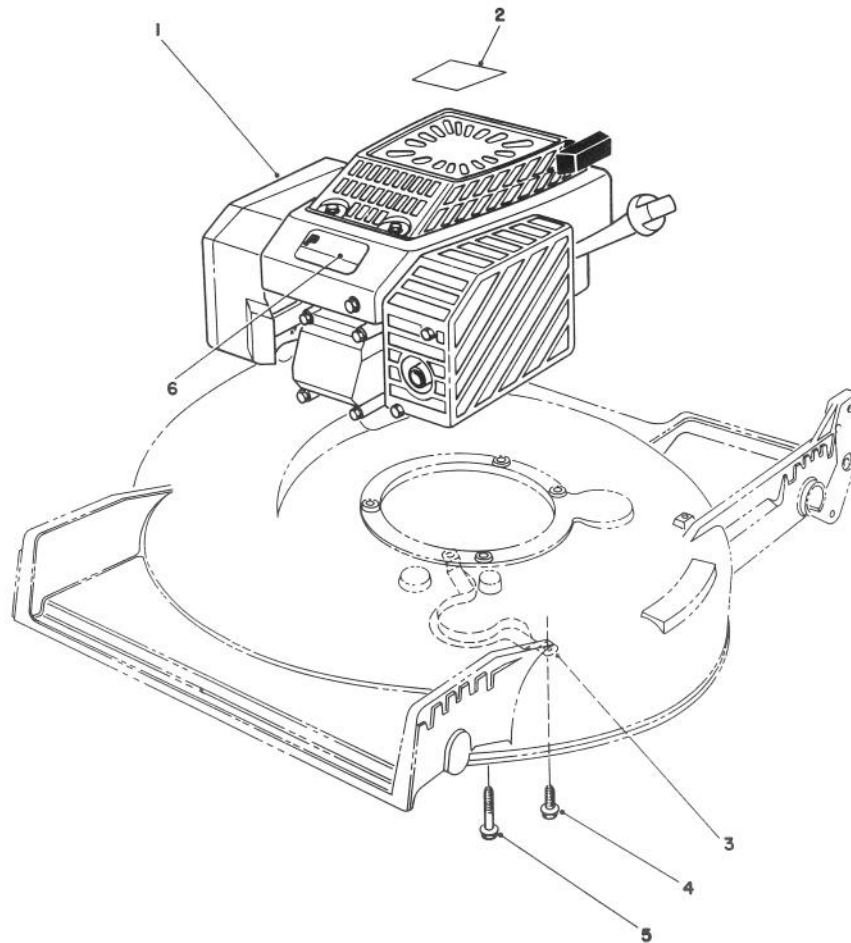
C-1135

HOUSING ASSEMBLY (Continued)

Ref. No.	Part No.	Description	No. Used
34	32144-70	Screw - Thread Forming	1
35	49-8740	Quadrant - Rear L.H.	1
*	49-8750	Quadrant - Rear R.H.	1
36	46-7040	Screw - Hex Hd. Cap	1
37	65-5280	Retainer - Spring	1
38	84-9100	Spring - BBC	1
39	84-9040	Pin - Cable	1
40	84-8880	Bracket - Spring	1
41	46-7370	Decal - Step Pad	1
42	84-9050	Pin - Spring Guide	1
43	84-8870	Guide - Spring	1
44	33-3208	Rod - Shield	1
45	44-0580	Shield - Rear Safety	1
46	71-9370	Decal - Danger Covers	1
47	25-7740	Knob - Arm	2
48	66-7560	Spring Arm Ass'y - Front	2
49	27-6232	Screw - Pivot	2
50	53-7740	Tire	2
51	52-2410	Hub - Support Bearing	2

Ref. No.	Part No.	Description	No. Used
52	52-2440	Spacer - Bearing	2
53	52-2450	Bearing - Wheel	4
54	53-7780	Plate - Wheel Half	4
55	323-12	Screw - Hex Hd. Cap	2
56	52-2480	Spacer - Wheel	2
57	321-2	Screw - Hex Hd. Cap	8
58	257-3	Washer - Pivot	2
59	32152-2	Nut - Lock	2
60	40-1940	Washer - Hardened	4
61	3296-6	Nut - Lock	2
62	49-8760	Quadrant - Front L.H.	1
63	92-1796	Decal - Recycler	1
64	92-1720	Plate - Kicker	1
65	323-6	Screw - Hex Hd. Cap	2
*	53-7720	Wheel & Tire Assembly (Incl. Ref. #20, 50-54, & 57)	2

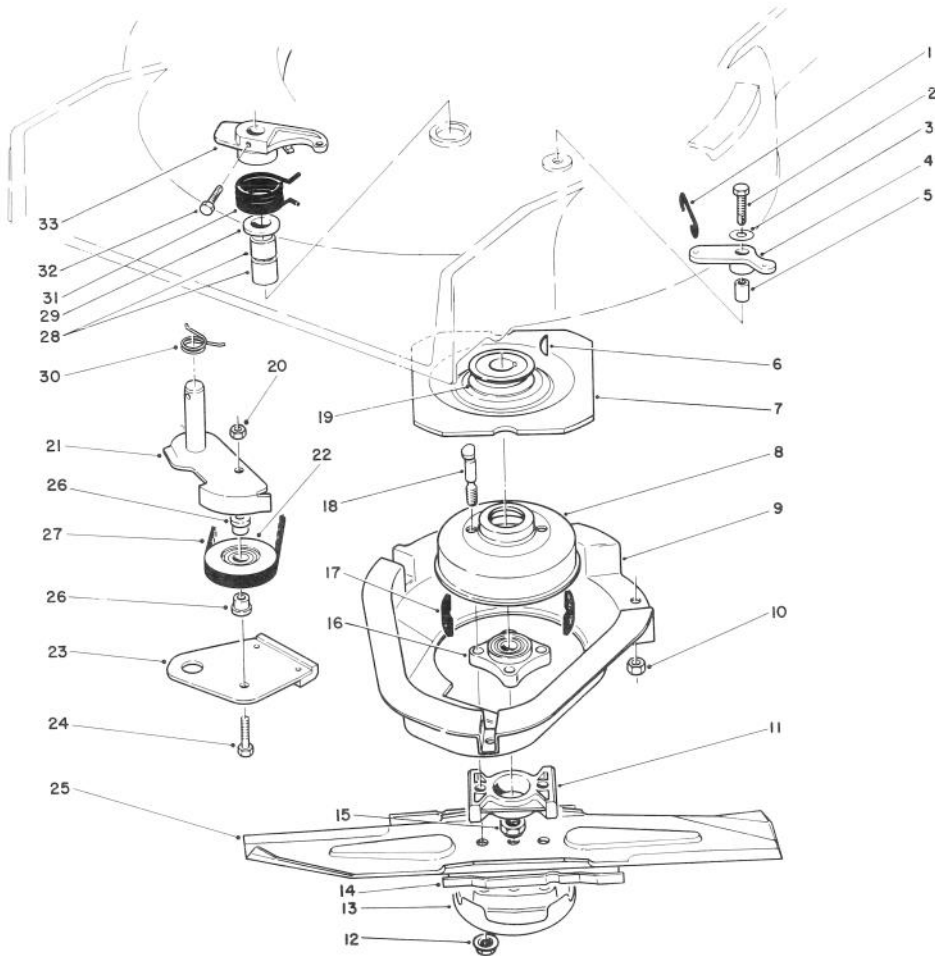
*Not Illustrated



C-1136

ENGINE ASSEMBLY

Ref. No.	Part No.	Description	No. Used	Ref. No.	Part No.	Description	No. Used
1	77-8970	Engine - Complete (Incl. Ref. # 2, & 6)	1	4	32144-70	Screw - Thread Forming	2
2	71-9270	Decal - Engine	1	5	32144-102	Screw - Thr'd Forming	3
3	66-0570	Guide - Belt	1	6	84-4960	Decal - Proline	1

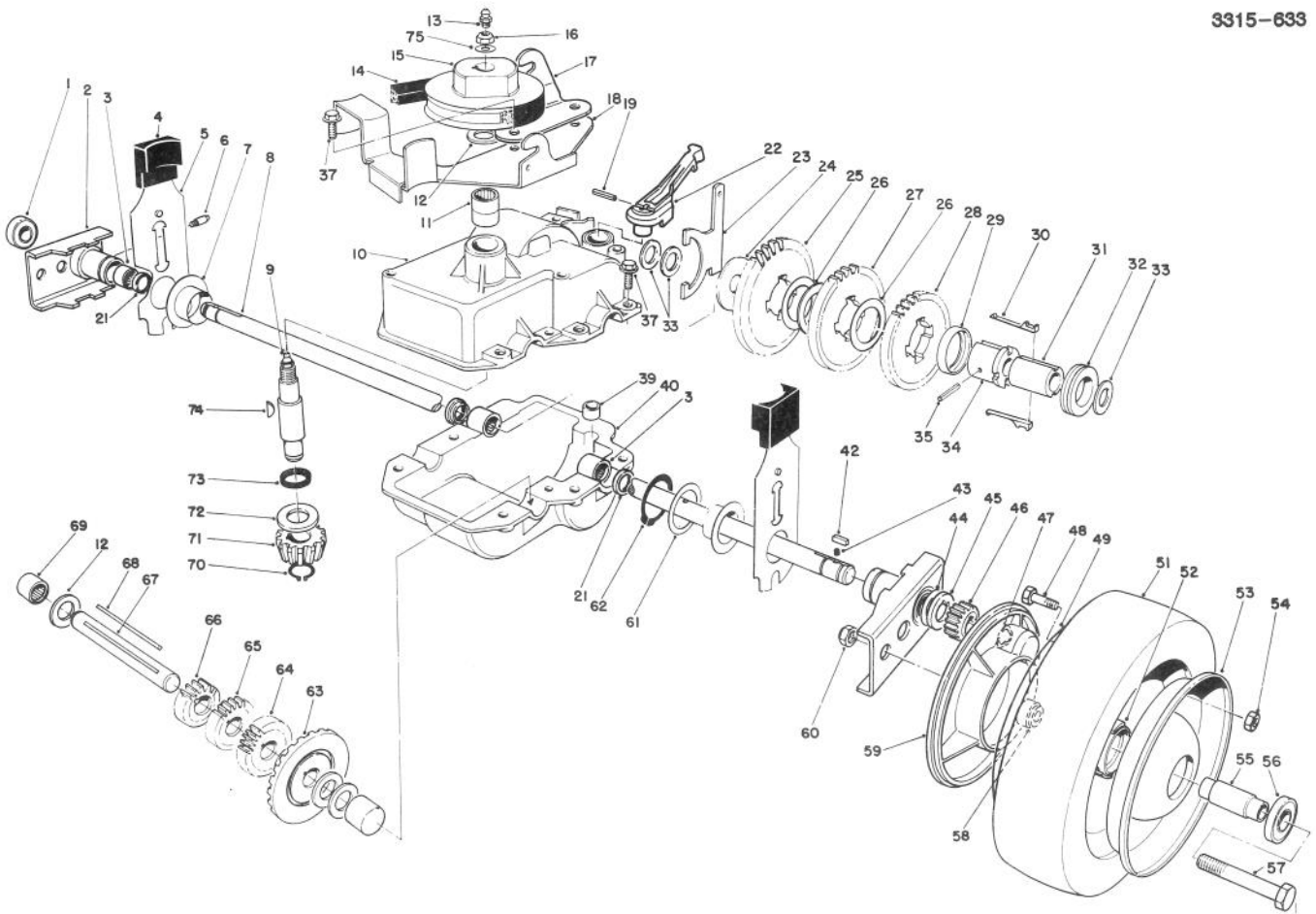


C-1197

BLADE BRAKE CLUTCH ASSEMBLY

Ref. No.	Part No.	Description	No. Used
1	49-2810	Link - Control	1
2	32104-107	Screw - Self Tap Hex Hd.	1
3	3256-23	Washer - Plain	1
4	49-7960	Bell Crank	1
5	49-7950	Sleeve - Bell Crank	1
6	3257-17	Key - Woodruff	1
7	56-6160	Flywheel	1
8	56-6170	Drum - Brake	1
9	46-5692	Shield	1
10	3296-39	Nut - Lock	2
11	62-4280	Spacer - Blade	1
12	54-9190	Locknut	2
13	80-2770	Cup - Anti-Scalp	1
14	91-2255	Stiffener - Blade	1
15	3296-33	Locknut	1
16	42-6890	Hub Assembly	1
17	52-3480	Dampener - Vibration	2

Ref. No.	Part No.	Description	No. Used
18	42-3190	Bolt - Blade	2
19	56-6180	Pulley Driver	1
20	3296-47	Locknut	1
21	84-9130	Arm - Idler	1
22	46-5650	Pulley Idler	1
23	84-9180	Brake Plate	1
24	322-6	Hex Hd. Capscrew	1
25	14-9419	Blade - 21"	1
26	46-5631	Hub - idler Pulley	2
27	42-0884	V-Belt	1
28	68-9780	Bearing	2
29	70-1160	Washer - P.M.	1
30	85-6880	Spring - Torsion Lower	1
31	49-7970	Spring - Torsion Upper	1
32	32104-96	Screw - Self Tap Hex Hd.	1
33	49-2820	Lever	1

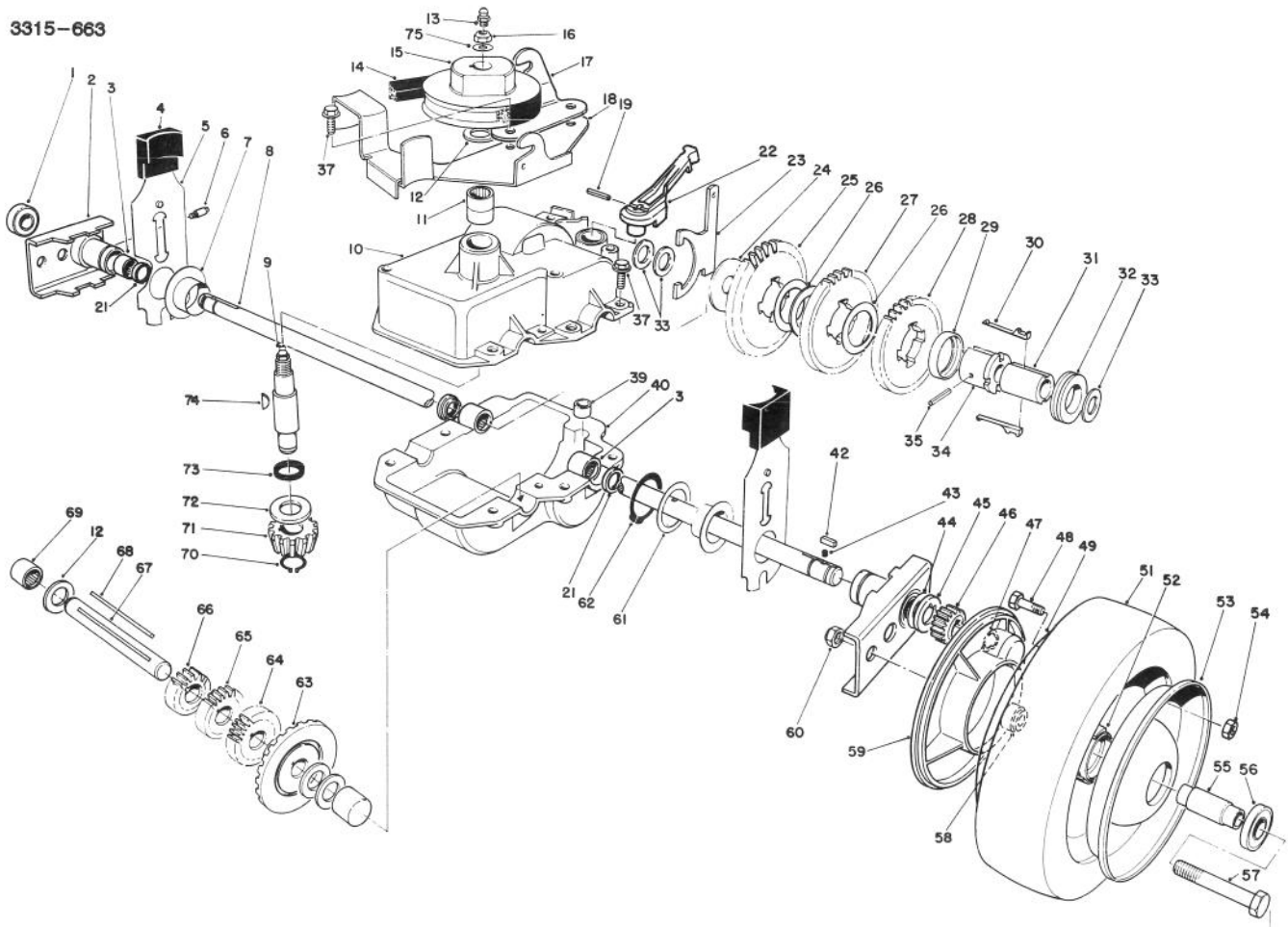


T-0678

GEAR CASE ASSEMBLY

Ref. No.	Part No.	Description	No. Used	Ref. No.	Part No.	Description	No. Used
1	52-2450	Bearing	2	22	74-1960	Lever - Shift	1
2	74-1851	Pivot Arm Assembly (Incl. Ref. #1, 3, 6 & 21)	2	23	60-8870	Yoke - Shift	1
3	48-2060	Bearing - Needle	4	24	29-9690	Washer - Flat	1
4	25-7740	Knob - Arm	2	25	46-3560	Gear - 52T	1
5	66-7561	Spring Arm Assy. - Rear	2	26	36-4770	Spacer - Gear	3
6	302-62	Fitting - Grease	2	27	29-9271	Gear - 42T	1
7	48-2170	Cap - End	2	28	42-4740	Gear - 38T	1
8	74-1890	Shaft - Output	1	29	55-8020	Retainer - Key	1
9	13-5149	Shaft - Input (Incl. Ref. #13)	1	30	29-9330	Key - Shift	2
10	13-9739	Upper Case Assembly (Incl. Ref. #11 & 73)	1	31	39-6720	Sleeve	1
11	47-7270	Bearing - Needle	2	32	29-9340	Collar - Shift	1
12	36-4792	Washer - Thrust	4	33	36-4780	Washer - Flat	3
13	302-63	Fitting - Grease	1	34	55-8010	Sleeve - Gear	1
14	36-8070	V-Belt	1	35	3285-19	Pin - Groove	1
15	39-6740	Pulley	1	37	49-2040	Screw - Self Tapping	8
16	3296-5	Nut - Lock	1	39	29-9570	Bushing - Yoke	1
17	74-1750	Bracket - Traction, Engage	1	40	74-1920	Case - Lower	1
18	49-8461	Bracket - Guide, Belt	1	42	39-9680	Key	2
19	32121-99	Pin - Roll	1	43	39-9650	Spring	2
21	47-6730	Seal	4	44	49-7700	Washer - Thrust, Keyed	2
				45	62-3830	Washer - Thrust, Keyed	2
				46	39-9160	Pinion	2
				47	32151-68	Ring - Klip	4

3315-663



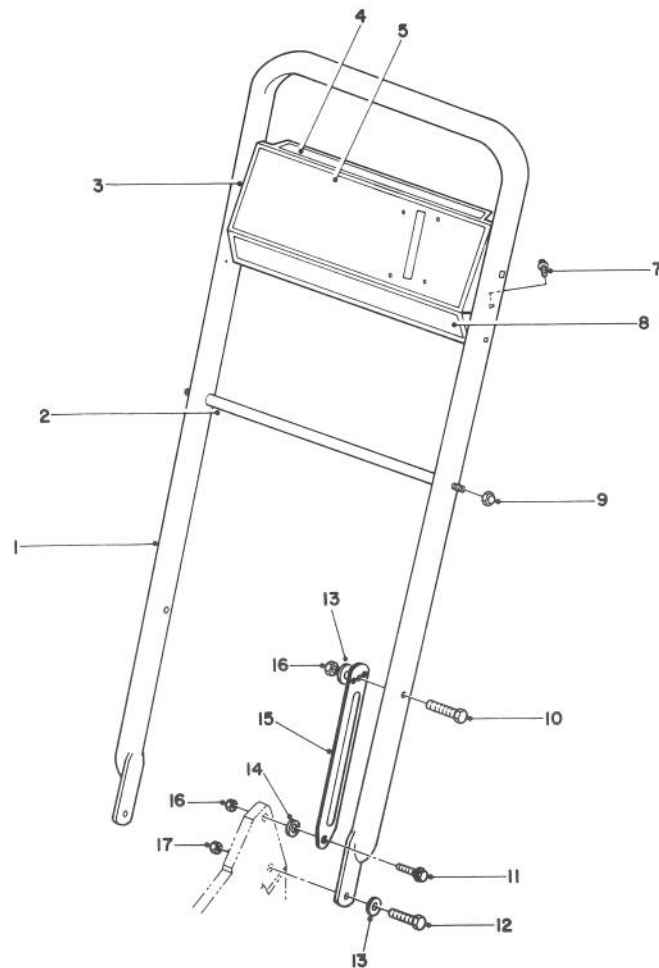
T-0678

GEAR CASE ASSEMBLY(Continued)

Ref. No.	Part No.	Description	No. Used
48	321-2	Screw - Cap, Hex. Hd.	8
49	53-7750	Wheel - Half	2
51	53-7740	Tire	2
52	52-2410	Hub - Support, Bearing	2
53	53-7780	Plate - Wheel Half	2
54	3296-42	Nut - Lock	8
55	52-2440	Spacer - Bearing	2
56	52-2450	Bearing - Wheel	4
57	323-13	Screw - Cap, Hex. Hd.	2
58	74-1650	Spacer - Wheel	2
59	74-1640	Cover - Wheel	2
60	32152-2	Nut - Lock	2
61	74-1810	Washer	2
62	32151-36	Ring - Retaining	2
63	74-1760	Gear - Bevel	1
64	39-6650	Gear - 18T	1

Ref. No.	Part No.	Description	No. Used
65	46-3550	Gear - 14T	1
66	46-3540	Gear - 12T	1
67	53-7950	Shaft - Intermediate	1
68	39-7842	Key - Square	1
69	252-103	Bearing - Closed	2
70	32151-57	Ring - Retaining	1
71	39-6660	Pinion - Bevel	1
72	47-2910	Washer - Thrust	1
73	47-7260	Seal	1
74	3257-1	Key - Woodruff	2
75	3256-45	Washer - Flat	1
*	74-1861	Gear Case Assembly (Incl. Ref. #3, 8-13, 15-18, 21, 23-40 & 63-74)	1
*	74-1720	Wheel & Tire Assembly (Incl. Ref. #48-49 & 51-56)	2

*Not Illustrated

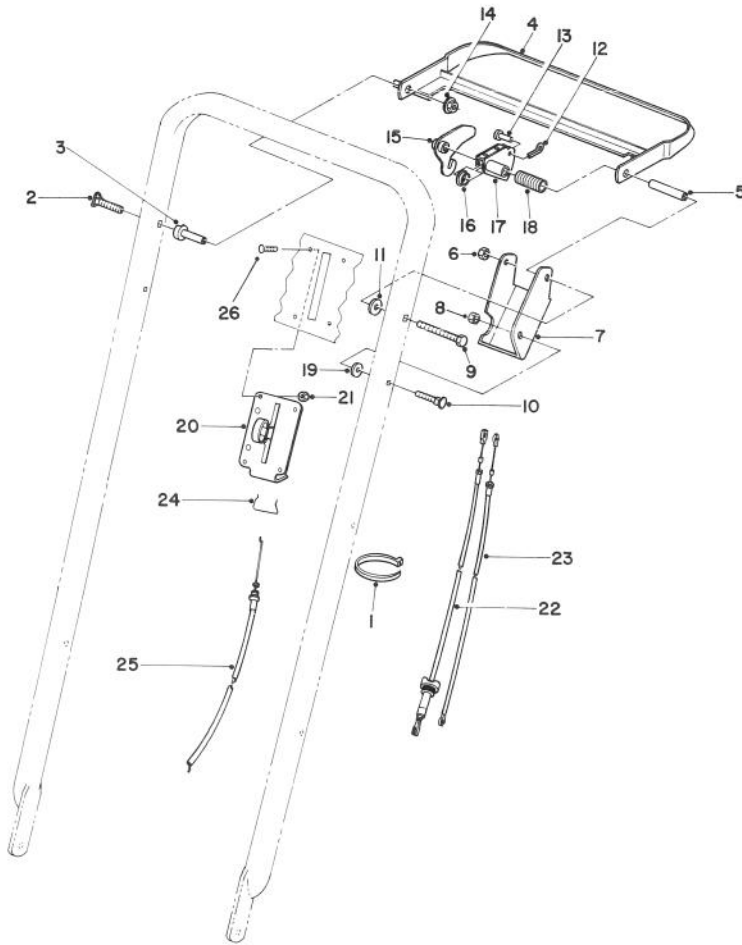


C-1139

HANDLE ASSEMBLY

Ref. No.	Part No.	Description	No. Used	Ref. No.	Part No.	Description	No. Used
1	84-8860	Handle	1	10	322-7	Screw - Hex Hd. Cap	2
2	48-2810	Rod - Bag Support	1	11	27-7210	Screw - Shoulder	2
3	14-7709	Panel - Control (Incl. Ref. #4, 5, & 8)	1	12	322-6	Screw - Hex Hd. Cap	2
4	63-9060	Decal - Danger	1	13	3290-456	Washer - Flat	4
5	85-6730	Decal - Panel	1	14	3-3287	Spacer - Handle Latch	2
7	32104-76	Screw - Self Tapping	6	15	84-8361	Latch - Handle L.H.	1
8	85-6720	Decal - Proline	1	*	84-8401	Latch - Handle R.H.	1
9	32111-7	Nut - Acorn	2	16	3296-29	Nut - Lock	4
				17	3296-47	Nut - Lock	2

*Not Illustrated

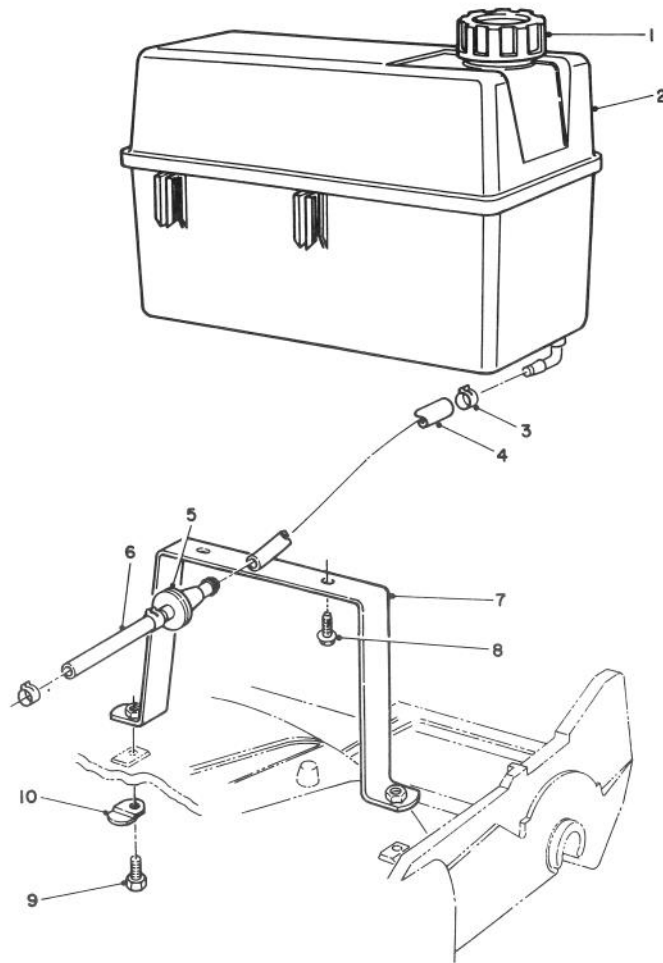


C-1140

TRACTION CONTROL ASSEMBLY

Ref. No.	Part No.	Description	No. Used
1	3290-378	Tie - Cable	2
2	17-9427	Screw - Handle	1
3	49-1631	Support - Spacer	1
4	84-8940	Bar - Control	1
5	84-9030	Spacer - Control Bracket	1
6	3296-29	Nut - Lock	1
7	92-1778	Bracket - Control	1
8	3296-42	Nut - Lock	1
9	322-19	Screw - Hex Hd. Cap	1
10	46-6430	Screw - Handle	1
11	71-9310	Spacer	1
12	3272-1	Pin - Cotter	1
13	84-9040	Pin - Cable	1

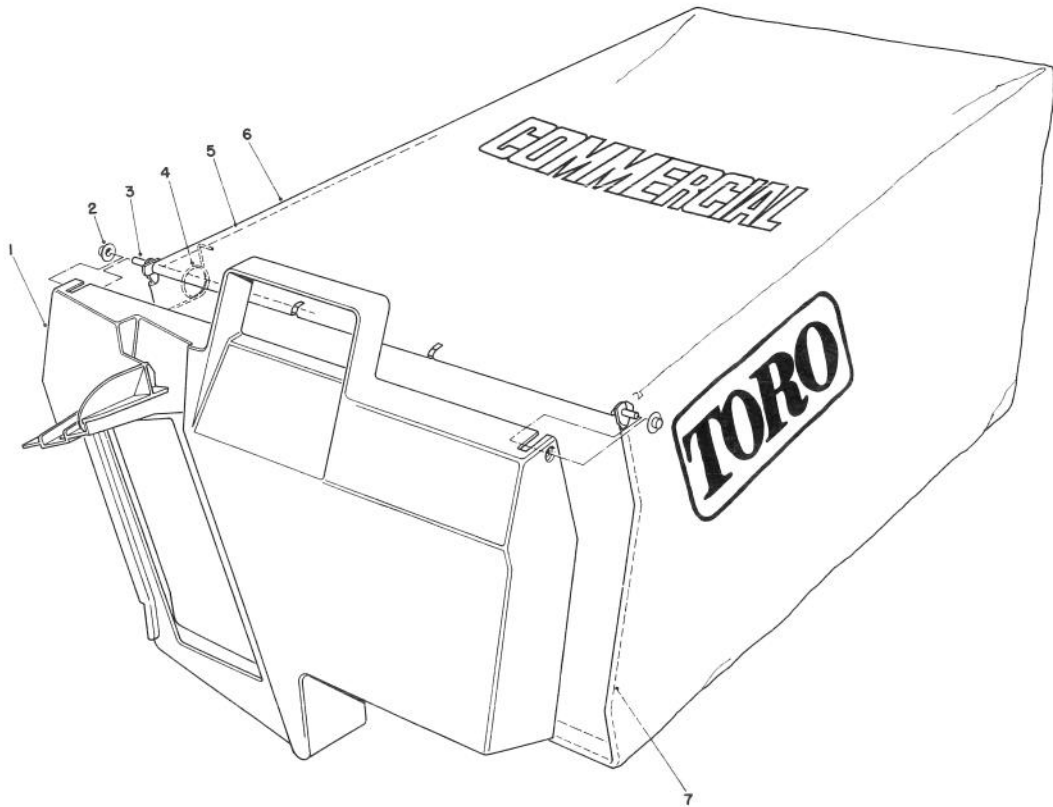
Ref. No.	Part No.	Description	No. Used
14	3296-58	Nut - Hex Flange	1
15	84-9000	Lever - Traction	1
16	86-9320	Bushing - Nylon Flange	1
17	84-8990	Lever - BBC	1
18	85-6750	Spring - Control	1
19	71-9320	Spacer	1
20	85-6770	Control - Throttle	1
21	3296-2	Nut - Lock	4
22	84-9120	Cable - Traction	1
23	84-9110	Cable - Clutch	1
24	85-6780	Retainer - Throttle Control	1
25	85-6840	Cable - Throttle	1
26	3250-14	Screw - Phillips Pan Hd.	4



C-1138

GAS TANK ASSEMBLY

Ref. No.	Part No.	Description	No. Used	Ref. No.	Part No.	Description	No. Used
1	55-3570	Cap - Gas	1	6	51-3214	Hose - Fuel	1
2	82-8460	Tank - Gas	1	7	84-9170	Base - Tank	1
3	2412-95	Clamp - Fuel Line	4	8	46-8091	Screw - Hex. Washer Hd.	2
4	68-3630	Hose - Fuel	1	9	323-7	Screw - Cap, Hex. Hd.	2
5	71-9280	Filter - Fuel	1	10	84-8930	Retainer - Shield	3

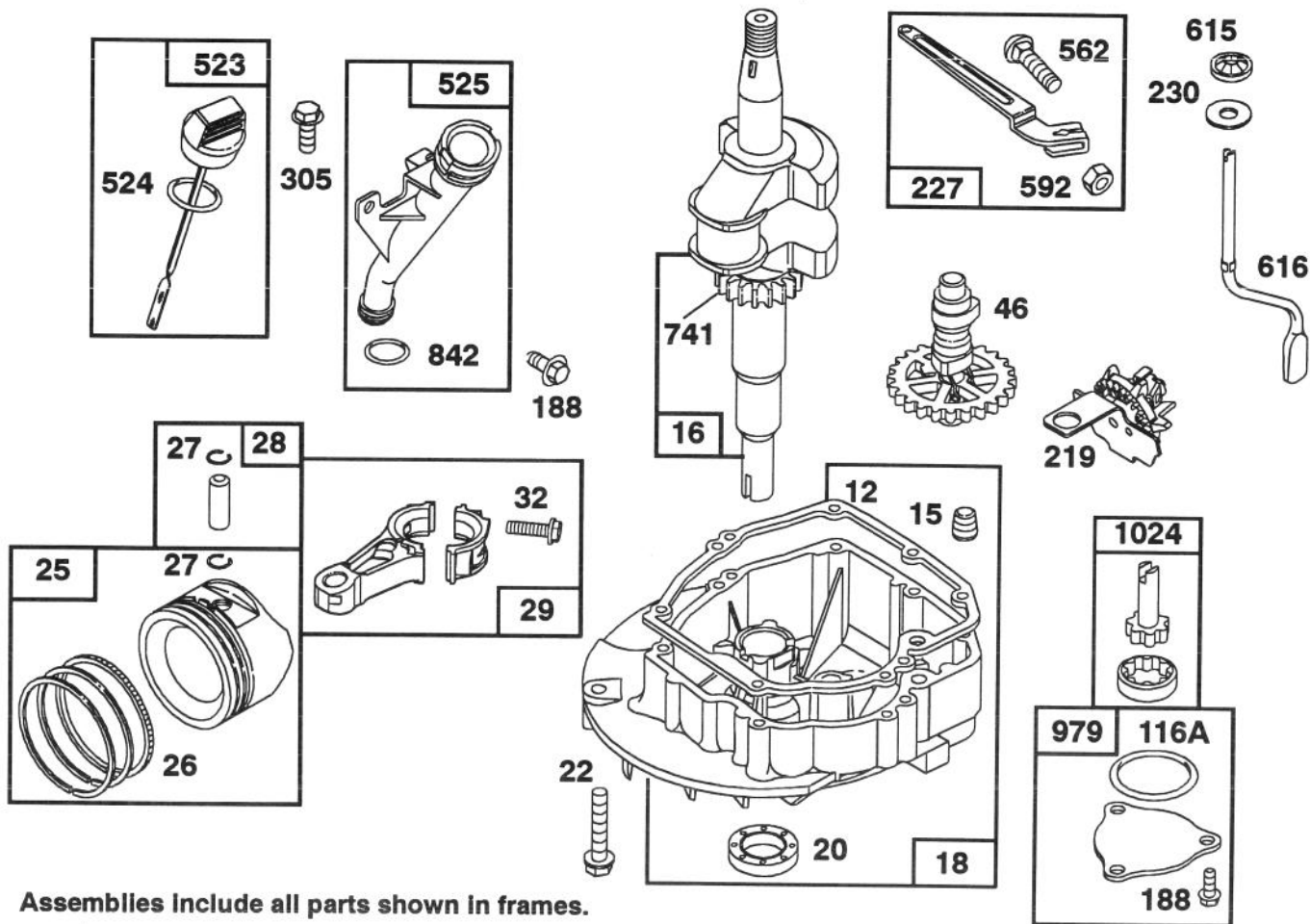


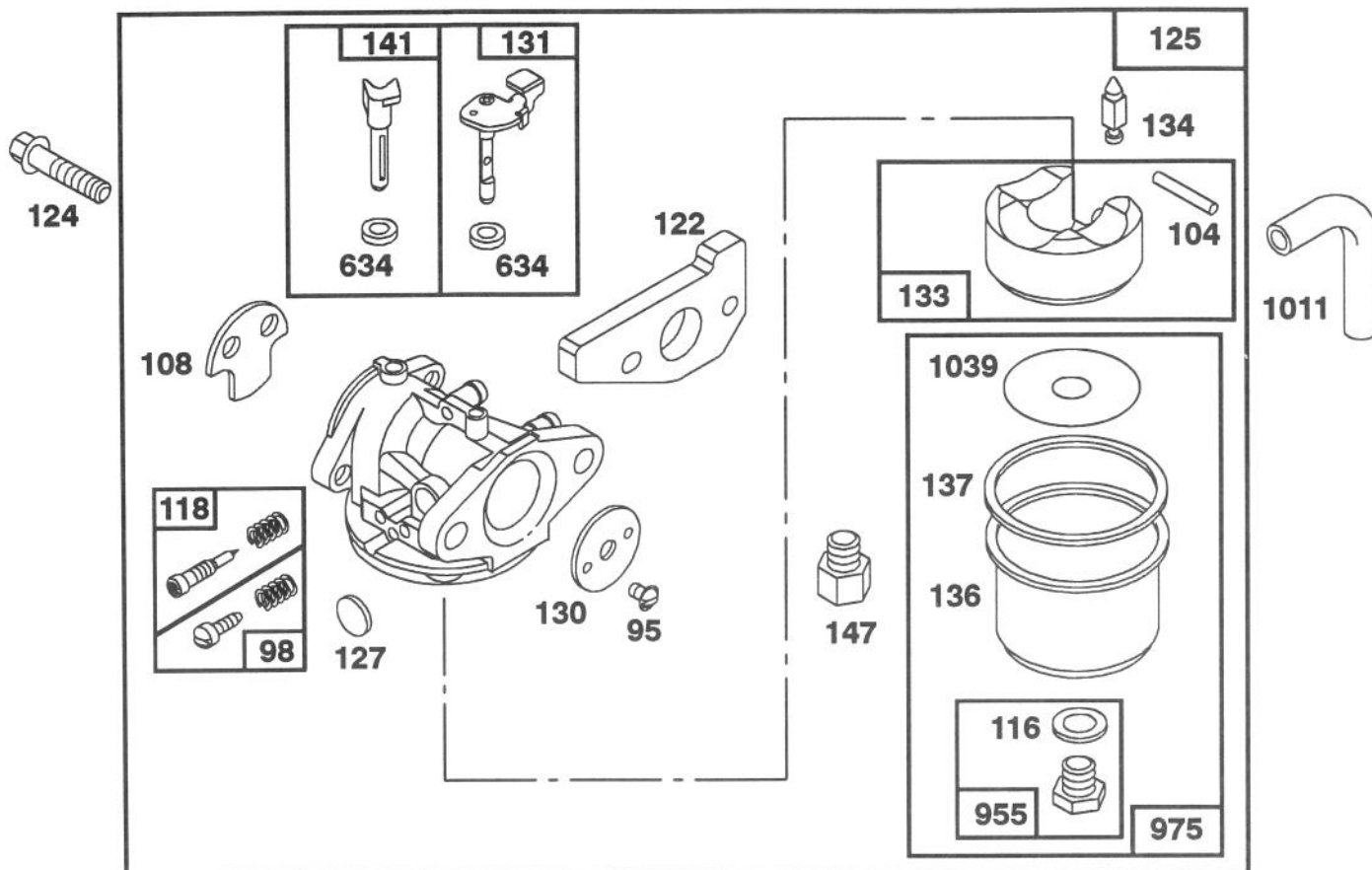
GRASS BAG ASSEMBLY No. 11-5609

T-1100

Ref. No.	Part No.	Description	No. Used
1	48-2840	Door - Bag, Grass	1
2	3290-422	Nut - Push, Washer Cap	2
3	33-4820	Hinge - Door, Bag	1
4	36-6910	Spring	2

Ref. No.	Part No.	Description	No. Used
5	42-4030	Frame - Bag, Upper	1
6	8-2759	Bag - Grass	1
7	42-4020	Frame - Bag	1





Assemblies include all parts shown in frames.

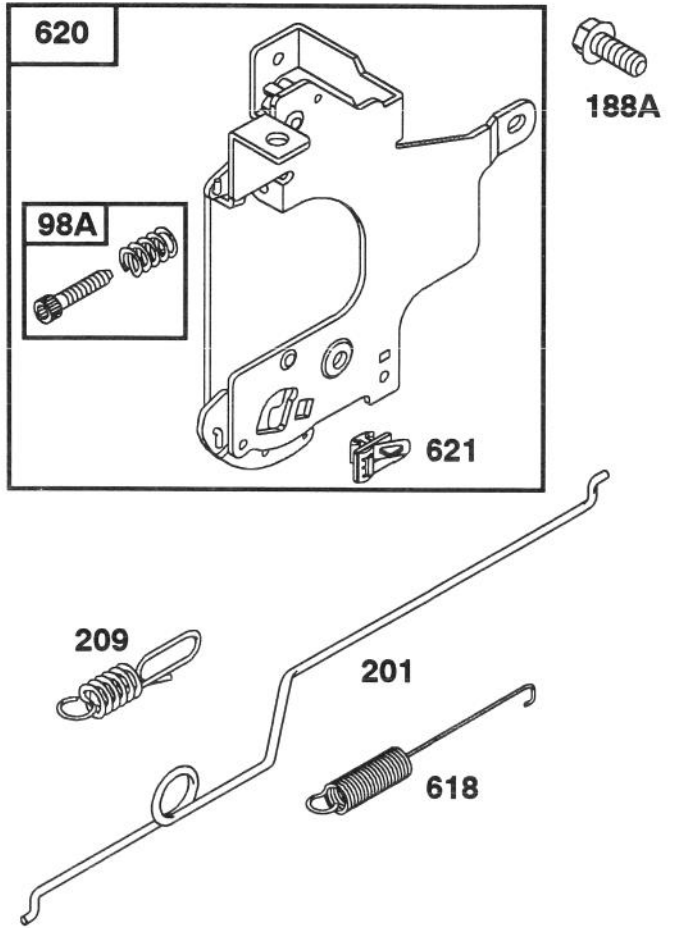
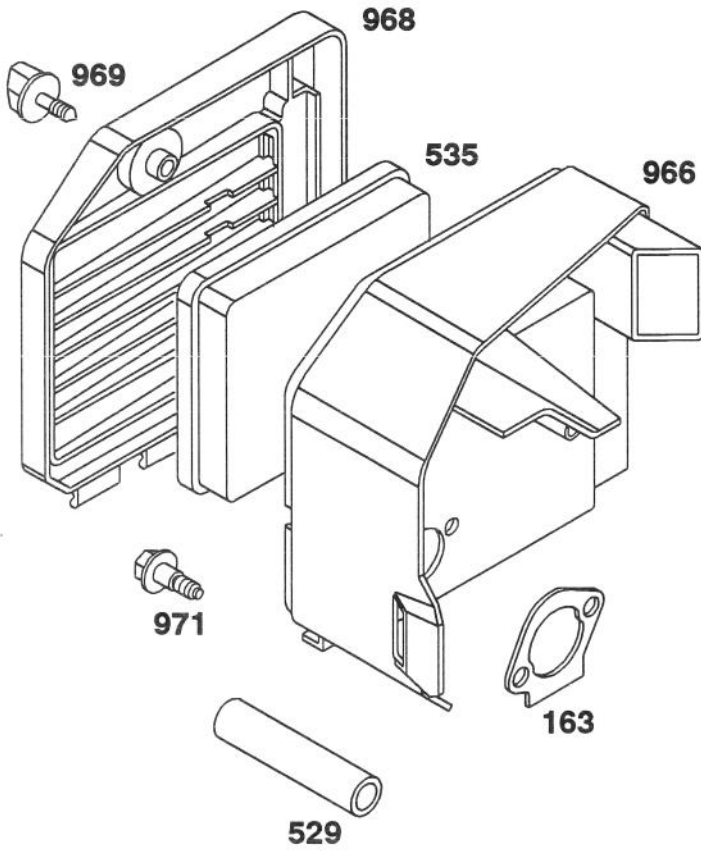
ENGINE GTS 150 77-9140

Ref. No.	Part No.	Description	No. Used
95	77-8090	Screw-Valve Mtg	1
98	77-8240	Screw-Idle Adj	1
•104	77-8180	Pin-Float Hinge	1
108	77-8070	Valve-Choke	1
◆116	77-8210	Sealing-Gasket	1
◆118	77-8230	Valve & Spring-Needle	1
◆122	77-7820	Adapter Assy	1
124	77-7970	Screw-Hex Head (carb mtg)	1
125	77-8050	Carburetor Assy	1
◆127	77-8100	Plug-Welch	1
130	77-8080	Valve-Throttle	1
131	77-8160	Shaft-Throttle	1
133	77-8170	Float-Carburetor	1

Ref. No.	Part No.	Description	No. Used
◆134	77-8110	Valve-Inlet (Includes Seat)	1
136	77-7240	Bowl-Fuel	1
◆◆137	77-8200	Gasket-Float Bowl	1
141	77-8130	Shaft-Choke	1
147	77-8120	Adapter-Jet Note: For High Altitude Jet, Order Part No. 494236.	1
◆634	77-8150	Washer-Seal	1
955	77-8220	Screw-Hex Head	1
975	77-8190	Bowl Assy-Carburetor	1
1011	77-8040	Tube-Vent	1
◆1039	77-7250	Limitier-Float	1

◆ Included in Carburetor Overhaul Kit-Part No. 493917.

◆◆ Included in Carburetor Gasket Set-Part No. 490937.



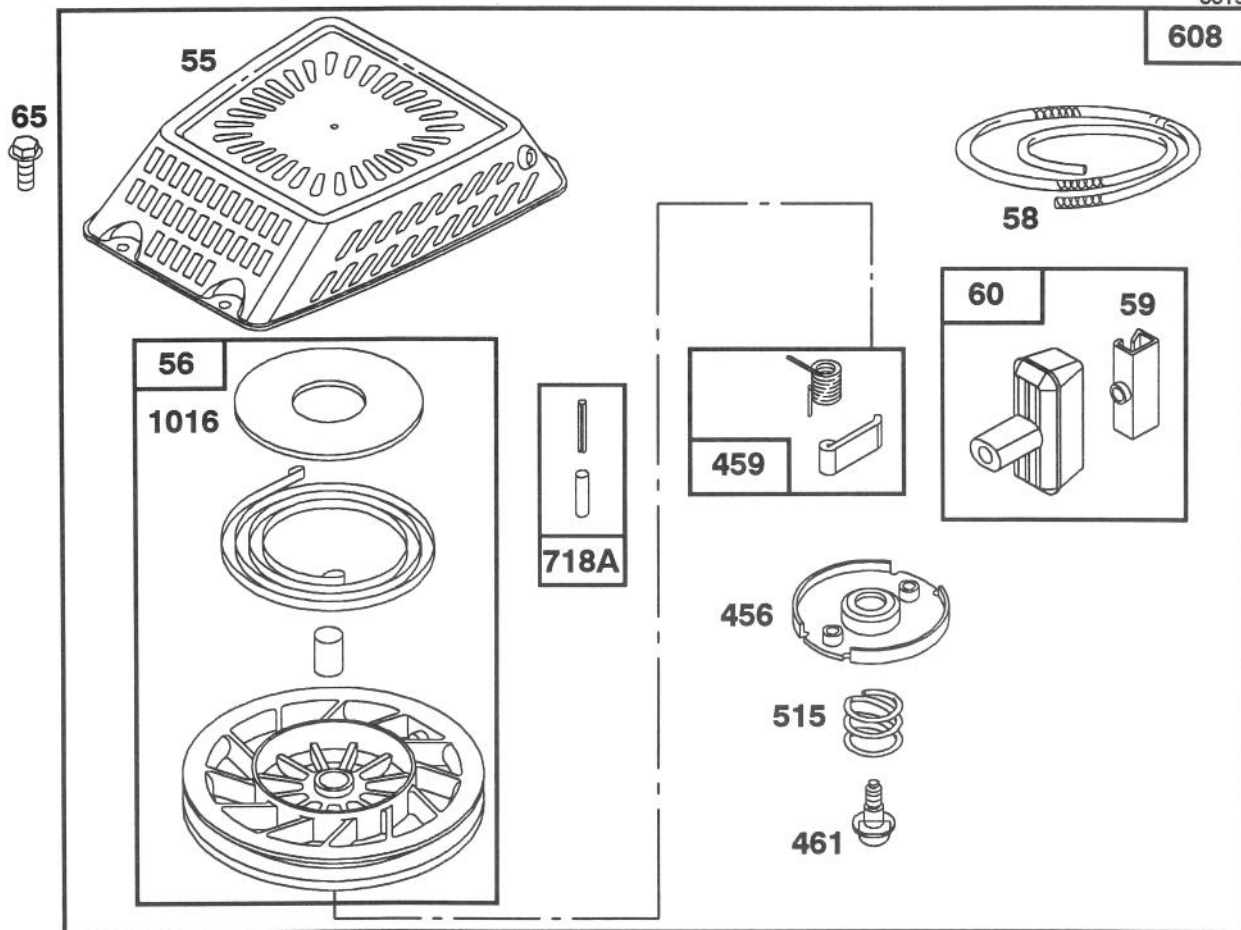
Assemblies include all parts shown in frames.

ENGINE GTS 150 77-9140

Ref. No.	Part No.	Description	No. Used
98A	77-8020	Screw Assy-Speed Adj	1
* 163	77-7960	Gasket-Air Cleaner	1
188A	77-9210	Screw-Hex Head	2
201	77-7980	Link-Governor	1
209	77-7990	Spring-Governor	1
529	77-8030	Tube-Breather	1
535	77-7950	Element-Filter	1

Ref. No.	Part No.	Description	No. Used
618	77-8140	Spring-Choke	1
620	77-8000	Bracket-Carburetor	1
621	77-8010	Switch-Stop	1
966	77-7940	Base Air Cleaner	1
968	77-7040	Cover-Air Cover	1
969	77-7920	Screw-Air Cleaner	1
971	77-7930	Screw-Air Cleaner	1

* Included in Gasket Set-Part No. 493783.

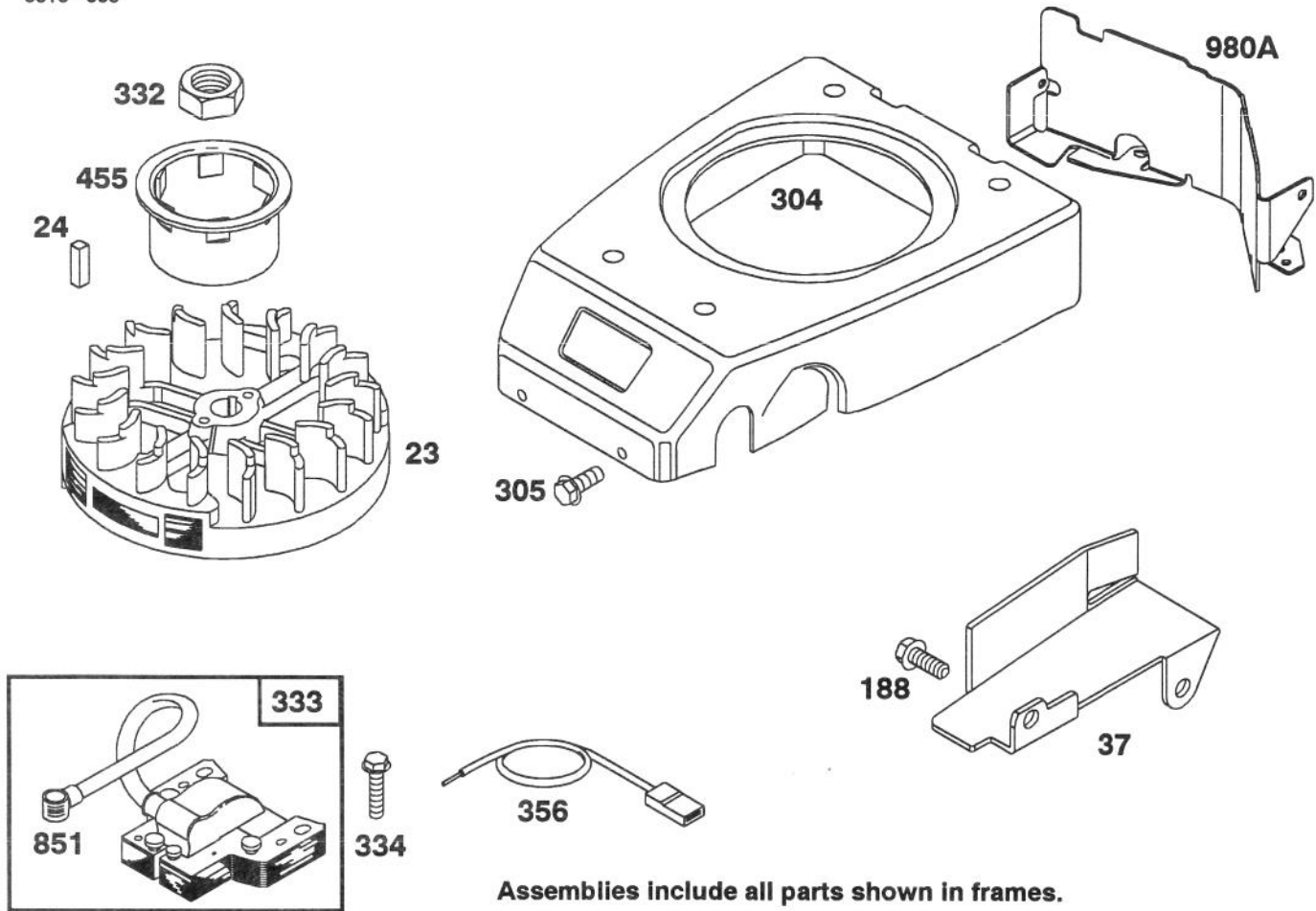


Assemblies include all parts shown in frames.

ENGINE GTS 150 77-9140

Ref. No.	Part No.	Description	No. Used
55	77-8890	Housing-Rewind Starter	1
56	77-8560	Pulley-Rewind Starter	1
58	77-8480	Rope-Starter (Cut To Suit)	1
59	77-7210	Insert-Rewind Handle	1
60	77-8520	Handle-Rewind Starter	1
65	77-8300	Screw-Hex Head	1
456	77-8470	Retainer-Rewind Starter	1

Ref. No.	Part No.	Description	No. Used
459	77-8530	Pawl-Starter	1
461	77-8490	Screw-Rewind Starter	1
515	77-8500	Spring-Torsion	1
608	77-8840	Starter Assy-Rewind	1
718A	77-8550	Pin-Spring	1
1016	77-8570	Cover-Spring	1

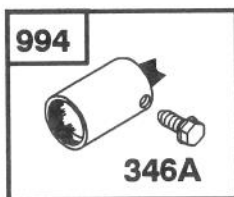
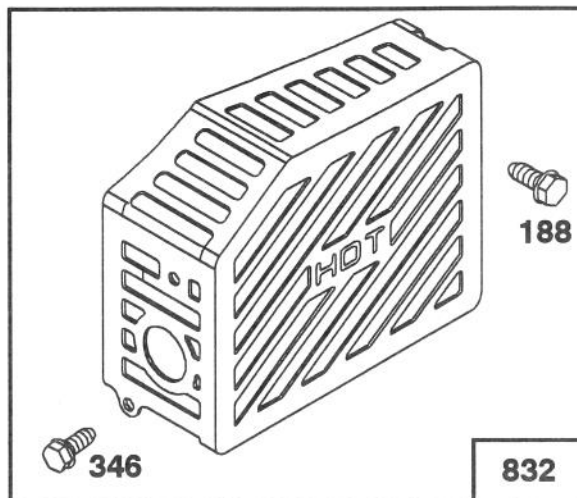
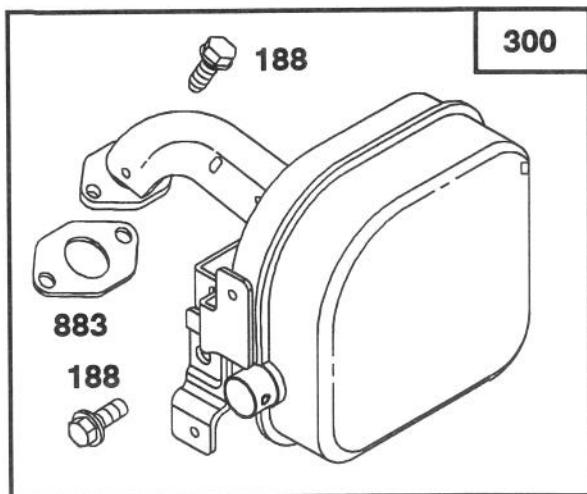


Assemblies include all parts shown in frames.

ENGINE GTS 150 77-9140

Ref. No.	Part No.	Description	No. Used
23	77-8330	Flywheel-Magneto	1
24	77-8340	Key-Flywheel	1
37	77-9170	Guard-Flywheel	1
188	77-7450	Screw-Hex Head	4
304	77-9160	Housing-Blower	1
305	77-8310	Screw-Hex Head (bl hsg)	4
332	77-8360	Nut-Flywheel	1

Ref. No.	Part No.	Description	No. Used
333	77-8420	Armature-Magneto	1
334	77-8440	Screw-Armature Mtg.	1
356	77-8400	Wire-Ground	1
455	77-8350	Cup-Starter	1
851	77-8430	Terminal-Spark Plug	1
980A	77-9180	Bracket-Blower Housing	1



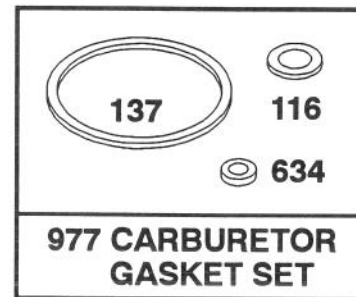
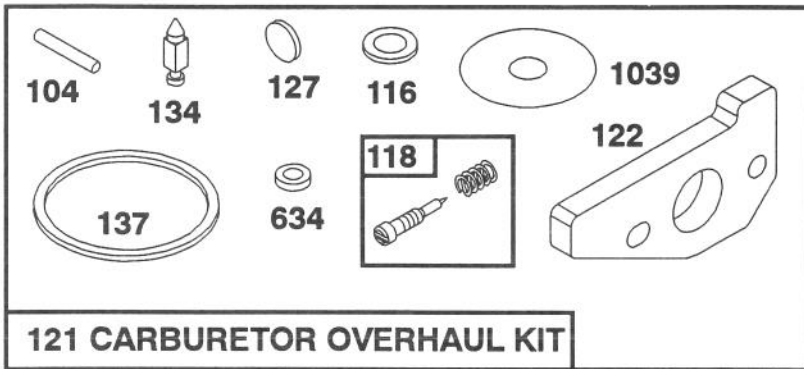
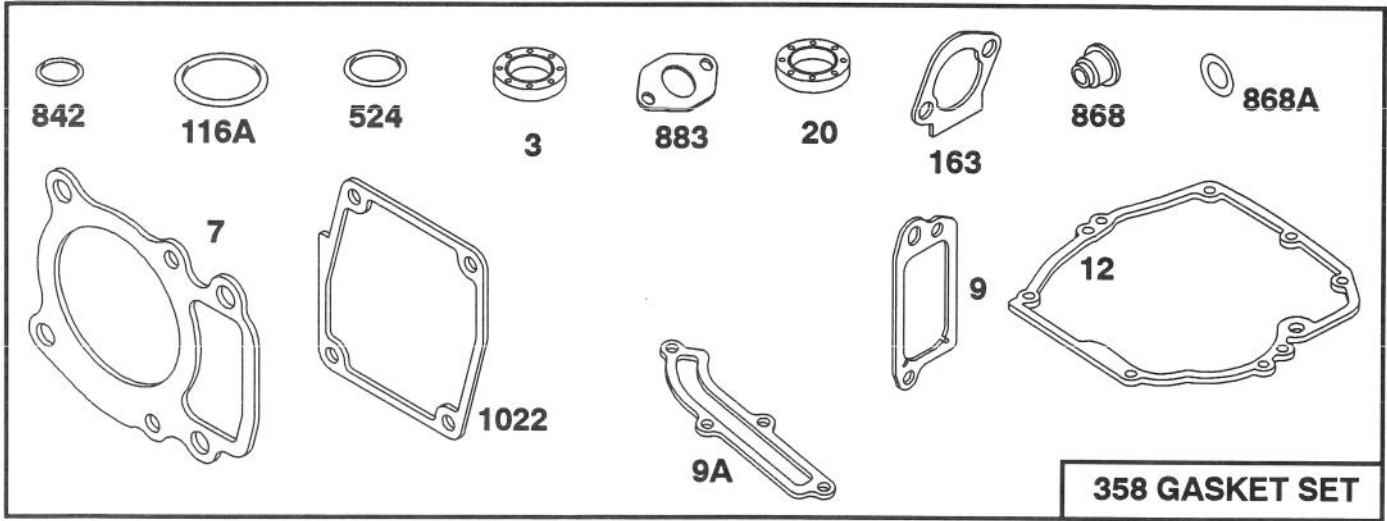
Assemblies include all parts shown in frames.

ENGINE GTS 150 77-9140

Ref. No.	Part No.	Description	No. Used
188	77-7450	Screw-Hex Head	1
300	77-8640	Muffler-Exhaust	1
346	77-8650	Screw-Hex	1
346A	77-9050	Screw-Arrester Mtg	1

Ref. No.	Part No.	Description	No. Used
832	77-8660	Guard-Muffler	1
★883	77-7760	Gasket-Exhaust	1
994	77-9040	Arrester-Spark	1

★ Included in Gasket Set-Part No. 493783.



Assemblies include all parts shown in frames.

ENGINE GTS 150 77-9140

Ref. No.	Part No.	Description	No. Used
★3	77-9060	Seal-Oil	1
★7	77-7740	Gasket-Cylinder Head	1
★9	77-9440	Gasket-Breather	1
★9A	77-7410	Gasket-Breather	1
★12	77-7550	Gasket-Engine Base	1
★20	77-7570	Seal-Oil	1
●104	77-8180	Pin-Float Hinge	1
●◆116	77-8210	Sealing-Gasket	1
★116A	77-7660	O-Ring	1
●118	77-8230	Valve & Spring-Needle	1
121	77-8920	Overhaul Kit-Carburetor	1
●122	77-7820	Adapter Assy.	1
●127	77-8100	Plug-Welch	1
●134	77-8110	Valve-Inlet (Includes Seat)	1

Ref. No.	Part No.	Description	No. Used
●◆137	77-8200	Gasket-Float Bowl	1
★163	77-7960	Gasket-Air Cleaner	1
358	77-8900	Gasket Set	1
★524	77-7270	Seal-O Ring	1
◆634	77-8150	Washer-Seal	1
★842	77-7300	Seal-O Ring	1
★868	77-7890	Seal Assy.-Valve	1
★868A	77-7900	Seal-Valve	1
★883	77-7760	Gasket-Exhaust	1
977	77-8930	Carburetor Gasket Set	1
★1022	77-7320	Gasket-Rocker Cover	1
●1039	77-7250	Limiter-Float	1

● Included in Carburetor Overhaul Kit-Part No. 493917.
 ◆ Included in Carburetor Gasket Set-Part No. 490937.

★ Included in Gasket Set-Part No. 493783.

