



TimeCutter® ZD Riding Mower

Model No. All Models

Installation Instructions

Loose Parts

Use the chart below to verify that all parts have been shipped.

Procedure	Description	Qty.	Use
1	No parts required	–	Charge the battery.
2	Collection bag DFS lever Washer Cotter pin	1 1 1 1	Install the collection bag.
3	Ignition Key Operator's Manual Engine Operator's Manual	1 1 1	Complete the Setup.

Note: Determine the left and right sides of the machine from the normal operating position.

1

Charging the Battery

No Parts Required

Procedure

Bulk electrolyte with 1.260 specific gravity must be purchased from a local battery supply outlet.



Battery electrolyte contains sulfuric acid which is a deadly poison and causes severe burns.

- Do not drink electrolyte and avoid contact with skin, eyes or clothing. Wear safety glasses to shield your eyes and rubber gloves to protect your hands.
- Fill the battery where clean water is always available for flushing the skin.
- Follow all instructions and comply with all safety messages on the electrolyte container.

1. Raise the seat to access the battery.

2. Remove the battery from the machine and place it on a level surface; refer to the *Operator's Manual*, Removing the Battery.

Important: Never fill the battery with electrolyte while the battery is installed in the tractor. Electrolyte could be spilled on other parts and cause corrosion.

3. Clean the top of the battery with a paper towel.
4. Remove the vent caps from the battery (Figure 1). Slowly pour electrolyte into each battery cell until the electrolyte level is up to the Upper line on the battery case (Figure 1).

Important: Do not overfill the battery because electrolyte (sulfuric acid) can cause severe corrosion and damage to the chassis.

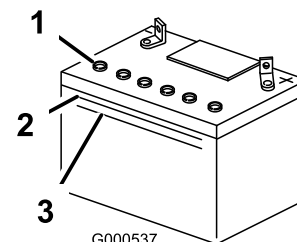


Figure 1

1. Vent caps
2. Upper line
3. Lower line

5. Wait five to ten minutes after filling the battery cells. Add electrolyte, if necessary, until the electrolyte level is up to the Upper line (Figure 1) on the battery case.
6. Install the battery vent caps.
7. Connect the charger leads to the corresponding battery posts as shown in Figure 2.

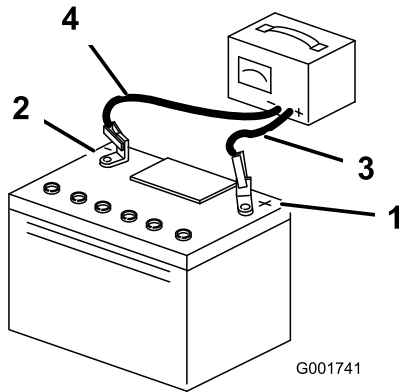


Figure 2

- | | |
|--------------------------|---------------------------|
| 1. Positive Battery Post | 3. Red (+) Charger Lead |
| 2. Negative Battery Post | 4. Black (-) Charger Lead |

2

Installing the Collection Bag

Parts needed for this procedure:

1	Collection bag
1	DFS lever
1	Washer
1	Cotter pin

Procedure

1. Remove the DFS lever and collection bag from the packaging.
2. Install the DFS lever into the opening on the top of the collection bag Figure 3.

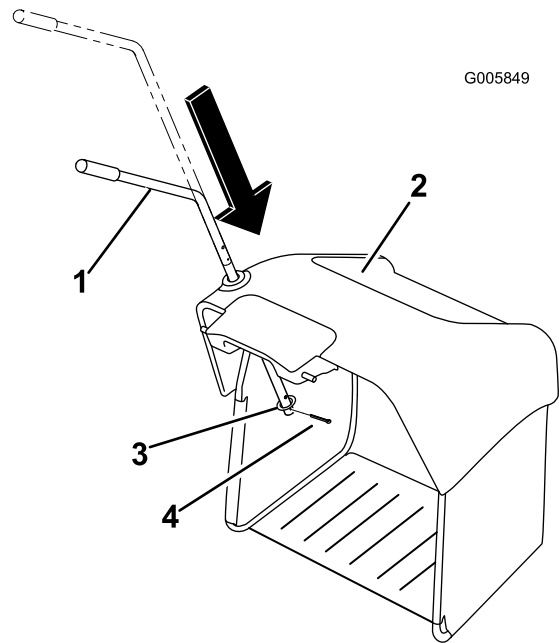


Figure 3

- | | |
|-------------------|---------------|
| 1. DFS lever | 3. Washer |
| 2. Collection bag | 4. Cotter pin |

8. Charge the battery for 10 to 15 minutes at 25 to 30 amps or 30 minutes at 4 to 6 amps (Figure 2). Do not overcharge the battery.
9. When finished, unplug the charger from the electrical outlet, then disconnect the charger leads from the battery posts (Figure 2).

Note: Do not run the machine with the battery disconnected, electrical damage may occur.

10. Install the battery to the machine; refer to the *Operator's Manual*, Installing the Battery.
11. Connect the positive battery cable to the positive battery post using the existing fasteners.
12. Connect the negative battery cable to the negative battery post using the existing fasteners.

3. Install a washer over the end of the DFS lever inside the collection bag (Figure 3).
4. Secure the lever assembly with a cotter pin and bend the ends to hold it place (Figure 3).
5. Install the collection bag to the machine (Figure 4). Install the lever side pin in the collection bag into the retaining hole in the notch of the engine cover. Seat the opposing pin into the other notch in the engine cover and allow the collection bag swing down into place.

- *Operator's Manual*
- *Engine Operator's Manual*

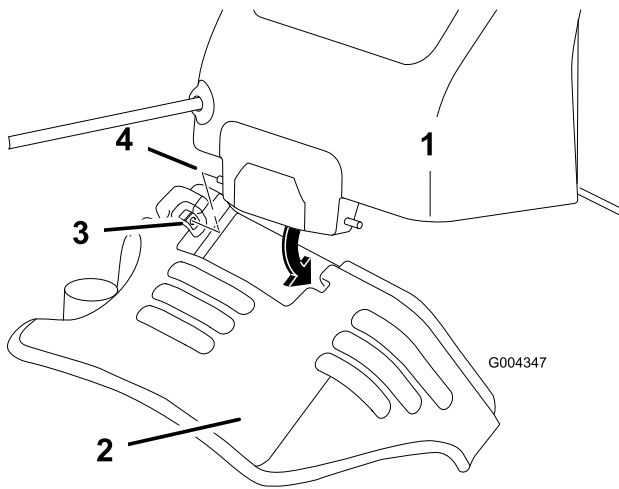


Figure 4

- | | |
|-------------------|--------------------|
| 1. Collection bag | 3. Retaining hole |
| 2. Engine cover | 4. Pin, lever side |

3

Completing the Setup

Parts needed for this procedure:

1	Ignition Key
1	<i>Operator's Manual</i>
1	<i>Engine Operator's Manual</i>

Procedure

Checking the Tire Pressure

Check the front and rear tires for proper inflation. Refer to Checking the Tire Pressure in the *Operator's Manual* for the recommended inflation pressure.

Checking the Mower Adjustment

The mower deck was leveled at the factory. If the mower is not cutting level, adjust the side-to-side level and the front-to-rear blade slope. See the *Operator's Manual* for the proper procedure.

Checking the Engine Oil Level

Before you start the engine and use the machine, check the oil level in the engine crankcase; refer to Checking the Oil Level in the *Operator's Manual*.

Review the Remaining Parts

Keep all the following items with the machine:

- Ignition Key



Count on it.