



Groundsmaster[®] 580-D

Model No. 30582 - 280000001 and up.

Parts Catalog

Ordering Replacement Parts

To order replacement parts, please supply the part number, the quantity, and the description of each part desired.

Understanding Reference Numbers

Each identified part in an illustration has a reference number. The reference number for a part also appears in the parts list, along with other information about the part.

This catalog uses two special reference number formats, one to indicate parts in a service assembly and another to indicate the quantity of a given part in an illustration.

Service Assembly Reference Numbers

Parts in service assemblies have reference numbers in the form a:b. The a represents the reference number of the entire service assembly and the b represents a sequential number unique to each part within the service assembly.

For example, a wheel assembly might be identified by reference number 6, the tire by 6:1, the valve by 6:2, and the wheel by 6:3. When you order the assembly identified by reference number 6, you receive all parts identified by reference numbers 6:1, 6:2, and 6:3. However, you may also order any part individually. Reference numbers of this type appear in illustrations and in part lists.

Reference Numbers Indicating Quantity

In an illustration, if a reference number indicates more than one part, the reference number has the form nX y. The n represents the quantity of the part, the X is the multiplication symbol, and the y represents the reference number.

For example, in an illustration, the reference number 2X 37 means that two of the parts identified by reference number 37 are indicated.

Contents

Description	Page	Description	Page
Seat Assembly 4	Fan Mount Assembly 52
Air Ride Seat Suspension Assembly Model No. 30621 5	Muffler and Air Cleaner Assembly 53
Premium Seat Assembly Model No. 30622 7	Air Cleaner Assembly No. 98-0800 54
Seat Suspension Assembly 8	Rear Manifold and Battery Assembly 55
Steering Column Assembly 9	Deck Manifold Assembly No. 95-5908 57
Steering Valve Assembly No. 108-1520 11	Rear Axle Assembly 58
Brake Pedal Assembly 12	Hydraulic Steering Cylinder Assembly No. 98-0661 60
Service Brake Assembly 13	Front Deck Lift Assembly 61
Brake System Master Cylinder No. 69-2640 14	Hydraulic Cylinder Assembly No. 92-4971 62
Traction Pedal and Cruise Control Assembly 15	Side Deck Lift Assembly 63
Gauge Panel Assembly 16	Hydraulic Cylinder Assembly No. 74-2170 65
Control Box and Lower Control Panel Assembly 18	Wing Deck Latch Assembly 66
Lift Valve Installation Assembly 20	Outer Wing Deck Lift Assembly 67
Control Valve Assembly No. 69-1780 21	Deck Motor Assembly 68
Counterbalance Manifold Installation Assembly 22	Hydraulic Motor Assembly No. 94-4907 69
Counterbalance Manifold Assembly No. 95-5907 23	Hydraulic Diagnostic Assembly 70
Frame Assembly 24	Cylinder Head Assembly 71
Hydraulic Compartment Assembly 25	Valve Mechanism Assembly 72
Hydraulic Line Assembly 27	Rocker Cover and Breather Assembly 73
Front Hydraulic Line Clamp Assembly 28	Camshaft Assembly 74
Solenoid Valve Assembly No. 95-5916 29	Crankcase Assembly 75
Fuel Tank Assembly 30	Main Metal Assembly 76
Hydraulic Tank Assembly 31	Timing Gearcase Assembly 77
Hydraulic Filter Assembly 32	Flywheel Housing Assembly 78
Hydrostat and Gear Motor Assembly 33	Oil Pan Assembly 79
Tandem Pump Assembly 34	Piston and Connecting Rod Assembly 80
Gear Pump Assembly No. 106-0336 35	Crankcase and Flywheel Assembly 81
Hydrostat Pump Assembly No. 106-0335 36	Timing Gear Assembly 82
Driveshaft Assembly 106-0325 38	Inlet and Exhaust System Assembly 83
Front Wheel Assembly 39	Turbocharger Assembly 84
Planetary Gear Drive Assembly No. 107-4338-03 41	Oil Pump and Oil Strainer Assembly 85
Motor Assembly No. 69-3050 42	Oil Pipe Assembly 86
Wheel Brake Assembly 43	Oil Cooler Assembly 87
Cowl and Screen Assembly 44	Oil Filter Assembly 88
Hood Assembly 45	Cooling System Assembly 89
Radiator and Oil Cooler Assembly 46	Fuel System Assembly 90
Engine Mounting and Roll-Over Protection System Assembly 48	Nozzle Assembly 91
Hydraulic Pump Plate Assembly 50	Fuel Filter Assembly 92
Gear Pump Assembly No. 107-1181-03 51	Electrical Component Assembly 93
		Starter Assembly 94
		Alternator Assembly 95
		Indicator and Gasket Assembly 96
		Breather Assembly 97
		Attachments and Accessories List 98

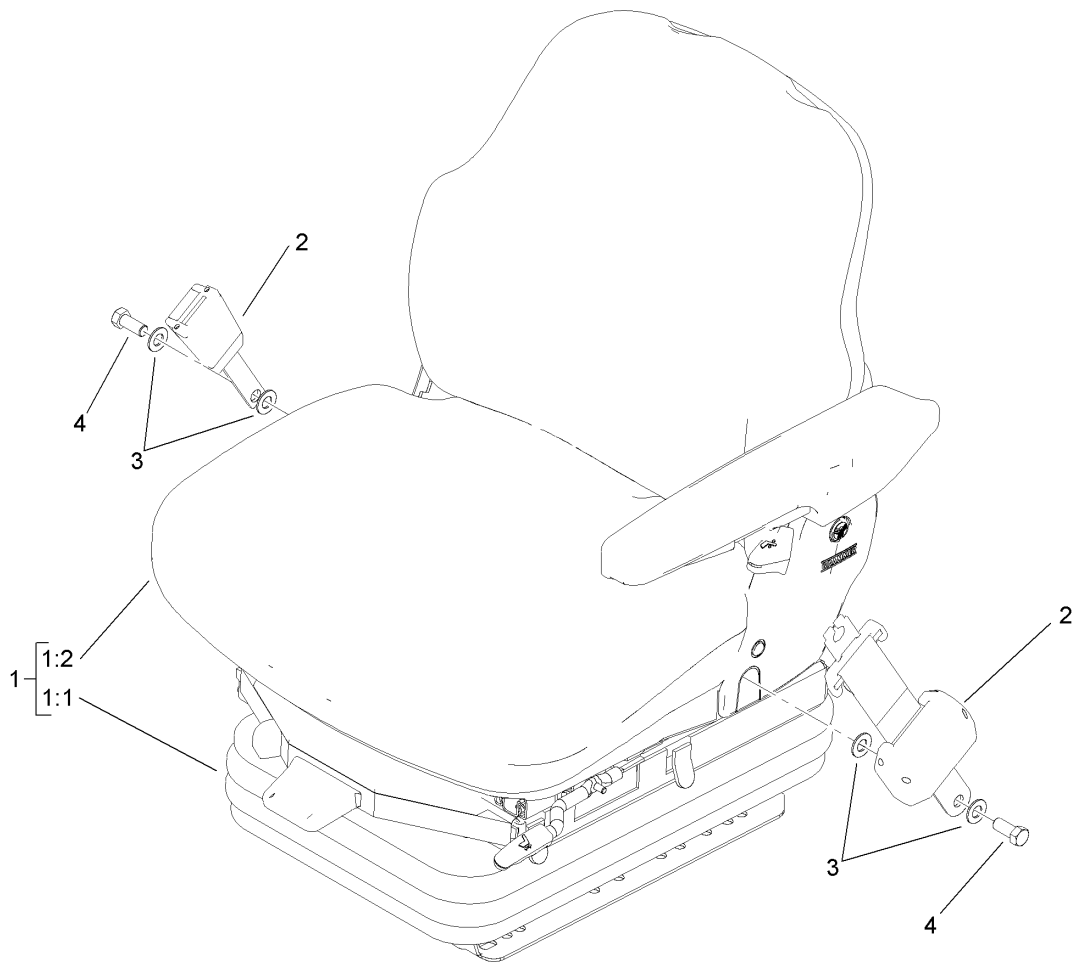
Part Description Abbreviations

Part descriptions in this catalog may include the following abbreviations.

AR.	as required	HYD.	hydraulic
ASM.	assembly	LH.	left hand
BBC.	blade brake clutch	NI.	nylon insert
CARR.	carriage	NPTF.	national pipe thread fine
DEG.	degrees	PFH.	phillips flat head
EXT.	external	PPH.	phillips pan head
FH.	flat head	PPHTF.	phillips pan head thread forming
GA.	gauge	PRH.	phillips round head
HD.	heavy-duty	PTH.	phillips truss head
HF.	hex flange	PTO.	power-take-off
HH.	hex head	RH.	right hand
HHF.	hex head flange	ROPS.	roll-over protection system
HHFTF.	hex head flange thread forming	SFH.	slotted fillister head
HJ.	hex jam	SHH.	slotted hex head
HLH.	hex lag head	SHWH.	slotted hex washer head
HOC.	height-of-cut	SPH.	slotted pan head
HSBH.	hex socket button head	SQH.	square head
HSFH.	hex socket flat head	SRH.	slotted round head
HSH.	hex socket head	STD.	standard
HWH.	hex washer head	TAP.	self tapping
HWHTF.	hex washer head thread forming	TTH.	torx truss head

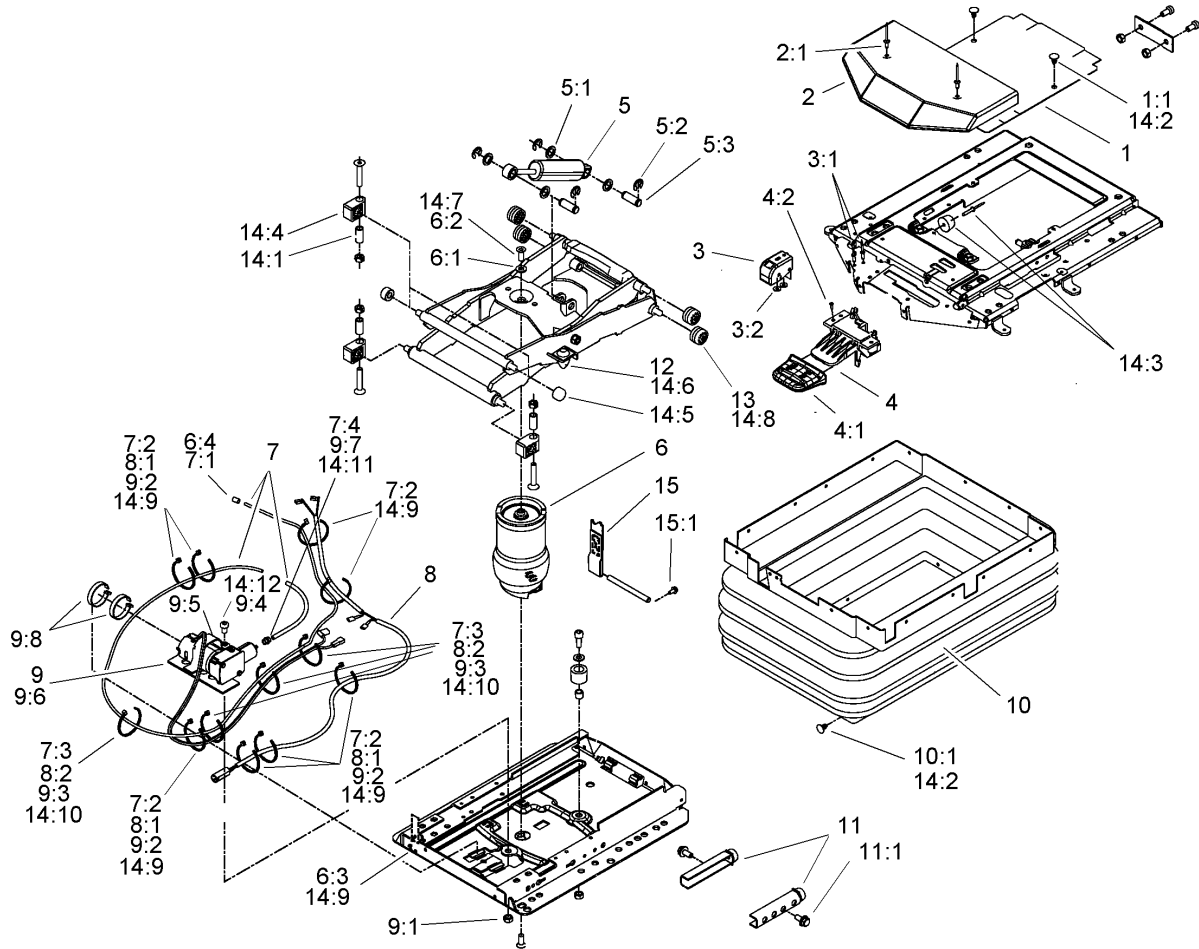
Footnotes

- ❶ Not illustrated
- ❷ Not serviced separately
- ❸ Obtain part from Custom Products Inc. Litchfield, MN 55353 (ph. 320-693-3221 or www.800cabline.com)



Seat Assembly

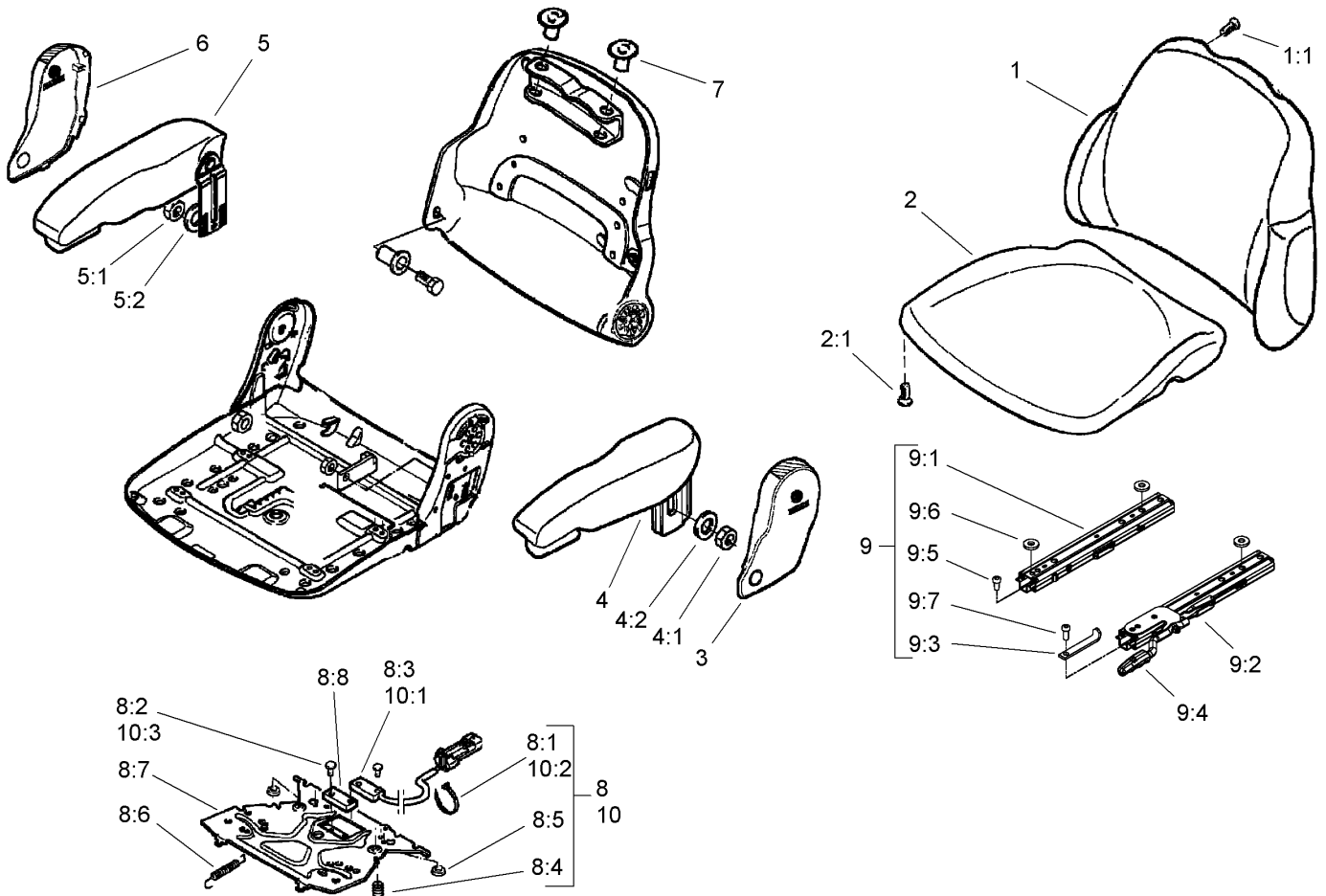
Ref	Part No.	Qty.	Description
②1		1	Seat And Suspension ASM
②1:1		1	Seat Suspension ASM
②1:2		1	Seat-Premium
2	110-0413	1	Seatbelt-Retractable
3	3256-25	4	Washer-Flat
4	3212-4	2	Screw-HH



Air Ride Seat Suspension Assembly Model No. 30621

Ref	Part No.	Qty.	Description
1	108-8026	1	Cover ASM
1:1	39-5710	2	Plug-Plastic
2	108-8027	1	Cover ASM
2:1		2	Rivet
3	108-8028	1	Level Control Kit
3:1		2	Rivet
3:2		2	Washer
4	108-8029	1	Air Control Valve ASM
4:1		1	Handle
4:2		3	Washer
5	108-8030	1	Shock Absorber Kit
5:1		4	Washer
5:2		4	C-Clip
5:3		2	Pin
6	108-8031	1	Air Spring Kit
6:1		1	Washer
6:2		2	Screw
6:3		1	Tie-Wire
6:4		1	Nipple-Hose
7	108-8032	1	Air Tube ASM
7:1		1	Nipple-Hose
7:2		7	Tie-Wire
7:3		4	Tie-Wire
7:4		1	Nipple-Hose
8		1	Connecting Cable ASM
8:1		8	Tie-Wire
8:2		4	Tie-Wire
9	108-8034	1	Compressor Kit
9:1		1	Nut
9:2		5	Tie-Wire
9:3		4	Tie-Wire
9:4		1	Screw
9:5		1	Compressor
9:6		1	Plate-Mounting
9:7		1	Nipple-Hose
9:8		2	Clamp
10	108-8035	1	Bellows ASM
10:1	39-5710	23	Plug-Plastic
11	108-8036	1	Stop Kit
11:1		2	Screw
12	107-1213	2	Bumper Set
13	108-8037	4	Roller
14	108-8038	1	Wear Parts Kit
14:1		4	Spacer
14:2	39-5710	2	Plug-Plastic
14:3		1	Bumper
14:4		4	Support-Housing
14:5		2	Roller

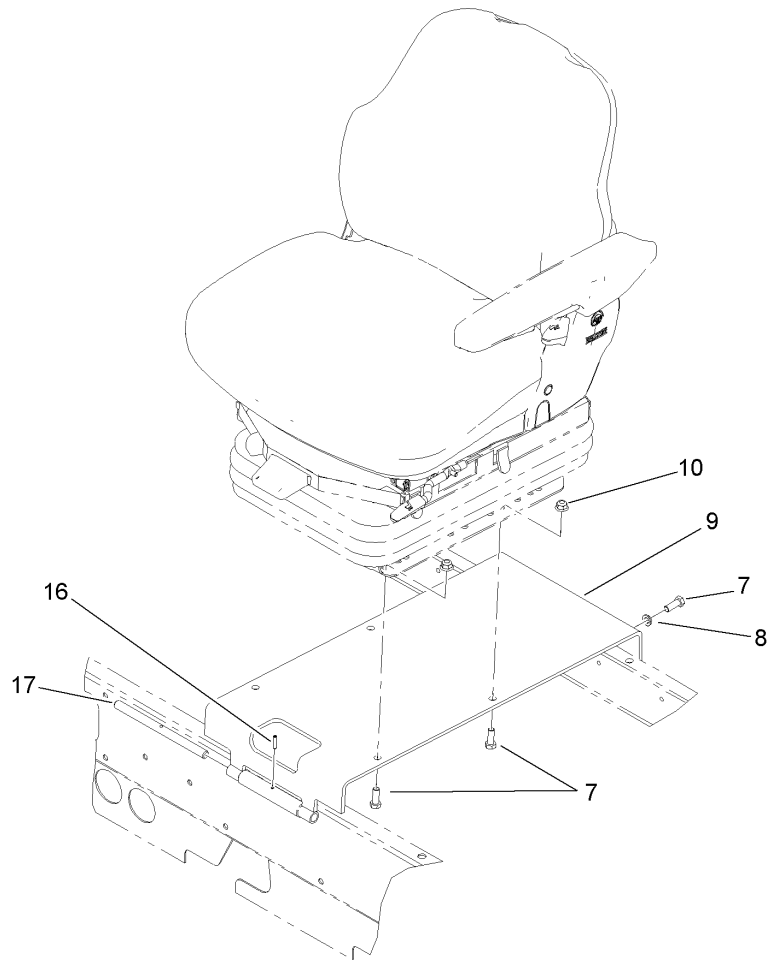
Ref	Part No.	Qty.	Description
8	108-8033	1	Connecting Cable ASM
8:1		8	Tie-Wire
8:2		4	Tie-Wire
9	108-8034	1	Compressor Kit
9:1		1	Nut
9:2		5	Tie-Wire
9:3		4	Tie-Wire
9:4		1	Screw
9:5		1	Compressor
9:6		1	Plate-Mounting
9:7		1	Nipple-Hose
9:8		2	Clamp
10	108-8035	1	Bellows ASM
10:1	39-5710	23	Plug-Plastic
11	108-8036	1	Stop Kit
11:1		2	Screw
12	107-1213	2	Bumper Set
13	108-8037	4	Roller
14	108-8038	1	Wear Parts Kit
14:1		4	Spacer
14:2	39-5710	2	Plug-Plastic
14:3		1	Bumper
14:4		4	Support-Housing
14:5		2	Roller



Premium Seat Assembly Model No. 30622

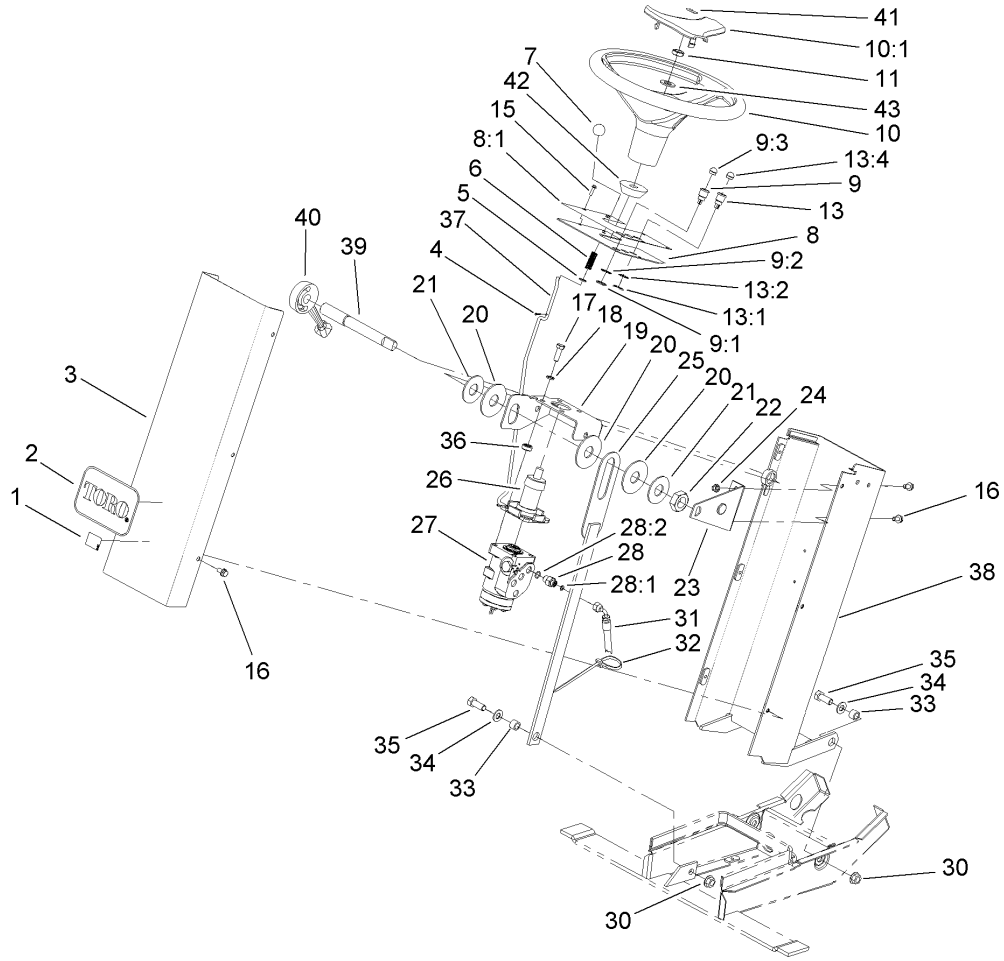
Ref	Part No.	Qty.	Description
1	108-8016	1	Backrest Cushion ASM
②1:1		3	Washer
2	108-8017	1	Seat Cushion ASM
②2:1		4	Washer
3	108-8018	1	Cover-Armrest
4	108-8019	1	LH Armrest ASM
4:1	82-9650	1	Nut
4:2	107-1198	1	Washer
5	108-8020	1	RH Armrest ASM
5:1	82-9650	1	Nut
5:2	107-1198	1	Washer
6	108-8021	1	Cover-Armrest
7	108-8022	2	Cover-Black
8	108-8024	1	Switch Kit
②8:1		3	Wire Tie
②8:2		4	Rivet
②8:3		1	Switch
②8:4		2	Spring
②8:5		2	Bumper
②8:6		1	Spring-Return
②8:7		1	Plate-Mounting
②8:8		1	Magnet
9	108-8025	1	Adjustment Rail Set
②9:1		1	Rail-Adjustment, RH

Ref	Part No.	Qty.	Description
②9:2		1	Rail-Adjustment, LH
②9:3		1	Stop-Rail
②9:4		1	Handle
②9:5		3	Washer
②9:6		3	Washer
②9:7		1	Washer
10	110-6189	1	Switch Kit
②10:1		1	Switch
②10:2		3	Wire Tie
②10:3		2	Rivet



Seat Suspension Assembly

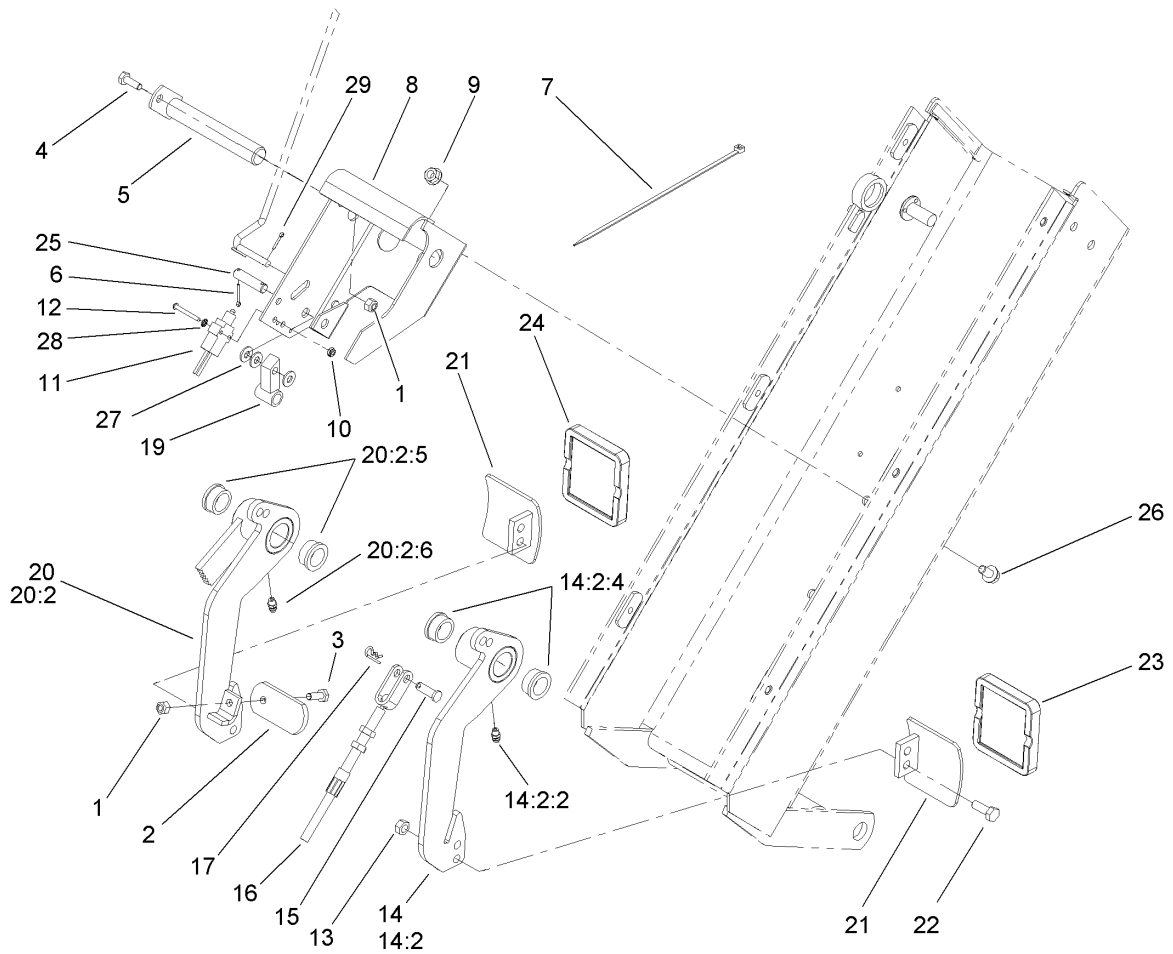
Ref	Part No.	Qty.	Description
7	323-6	6	Screw-HH
8	3253-21	2	Washer-Lock
9	83-6660-03	1	Seat Bracket Support ASM
10	104-8301	4	Nut-Flange, NI
16	32121-4	1	Pin-Roll, Slotted
17	27-4720	1	Shaft-Pivot, Seat



Steering Column Assembly

Ref	Part No.	Qty.	Description
1	93-7252	1	Decal-Ce Mark
2	62-5550	1	Decal
3	69-8510-01	1	Cover-Tower, Steering
4	3272-5	1	Pin-Cotter
5	3256-22	1	Washer-Flat
6	95-1821-03	1	Spring-Compression
7	233-17	1	Knob
8	106-0483	1	Steering Tower Panel ASM
8:1	106-0390	1	Decal-Tower, Steering
9	44-2210	1	Light-Indicator, Red
9:1	218-535	1	Nut-Hex
9:2	218-536	1	Washer-Lock
9:3	218-533	1	Lens
① 9:4		1	Bulb
10	98-1471	1	Wheel-Steering
10:1	98-1468	1	Cover-Wheel, Steering
11	110-8816	1	Nut-Hex
13	44-2212	2	Amber Indicator Light ASM
13:1	218-535	1	Nut-Hex
13:2	218-536	1	Washer-Lock
① 13:3		1	Bulb
13:4	218-562	1	Lens
15	32144-64	4	Tscrew-HWH
16	3234-14	8	Screw-HHF

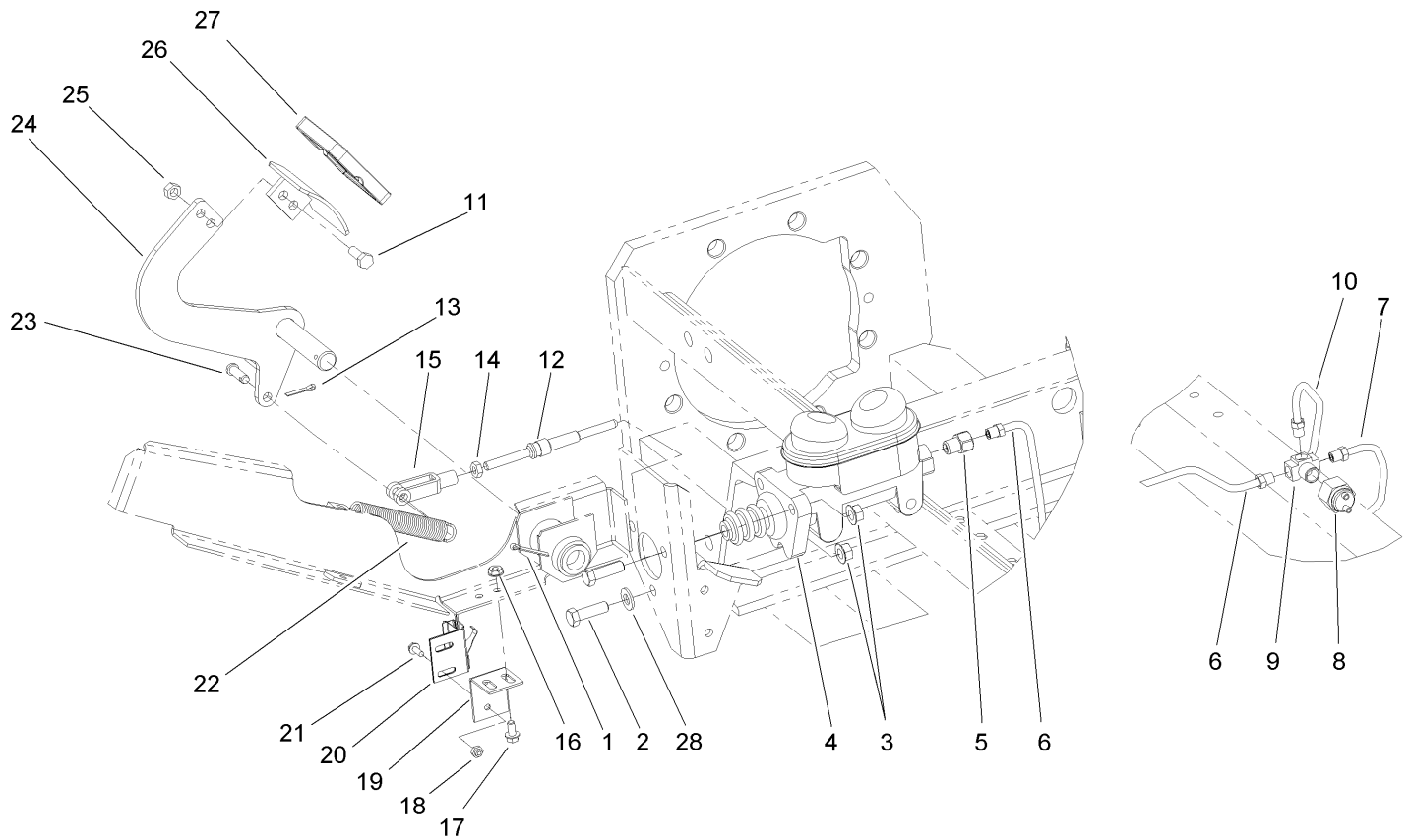
Ref	Part No.	Qty.	Description
17	33115-030	4	Screw-HH
18	48-9590	4	Washer-Lock
19	106-0293-03	1	Bracket-Gear, Steering
20	31-0390	3	Disc-Friction
21	20-9500	2	Washer
22	3296-49	1	Nut-Lock, NI
23	69-7740-03	1	Steering Gear Support ASM
24	32128-20	2	Nut-HF
25	69-7760-03	1	Steering Gear Link ASM
26	106-0271	1	Column-Steering
27	108-1520	1	Valve-Steering
28	340-1	4	Adapter
28:1	237-21	1	O-Ring
28:2	237-42	1	O-Ring
30	32128-23	3	Nut-HF
31	69-5500	4	Hose ASM
32	3290-378	13	Tie-Cable
33	28-0380	3	Spacer-Axle, Front
34	3256-26	3	Washer-Flat
35	325-5	3	Screw-HH
36	46-1600	4	Spacer
37	106-0331-03	1	Rod-Latch, Brake
38	69-8160-01	1	Steering Tower ASM
39	69-9230	1	Shaft-Pivot, Steering



Brake Pedal Assembly

Ref	Part No.	Qty.	Description
1	32152-4	2	Nut-Lock, Cone
2	69-9210-03	1	Lever-Latch, Brake
3	321-4	1	Screw-HH
4	321-2	1	Screw-HH
5	69-7790-03	1	Pin ASM
6	3272-6	2	Pin-Cotter
7	3290-378	1	Tie-Cable
8	106-0485-03	1	Mount-Pedal, Brake
9	32128-20	4	Nut-HF
10	3296-9	2	Nut-Lock
11	99-3410	1	Switch
12	3249-11	2	Screw-Machine
13	32152-1	4	Nut-Lock, Cone
14	69-7880-03	1	LH Brake Arm ASM
④14:2		1	Arm-Brake, LH
14:2:2	302-5	1	Fitting-Grease
14:2:4	256-247	2	Bushing-Flange
15	283-1	2	Pin-Clevis
16	69-5670	2	Cable-Brake
17	3290-307	2	Pin-Hair
19	69-7720-03	1	Brake Pawl ASM
20	69-7890-03	1	RH Brake Arm ASM
④20:2		1	Arm-Brake, RH
20:2:5	256-247	2	Bushing-Flange

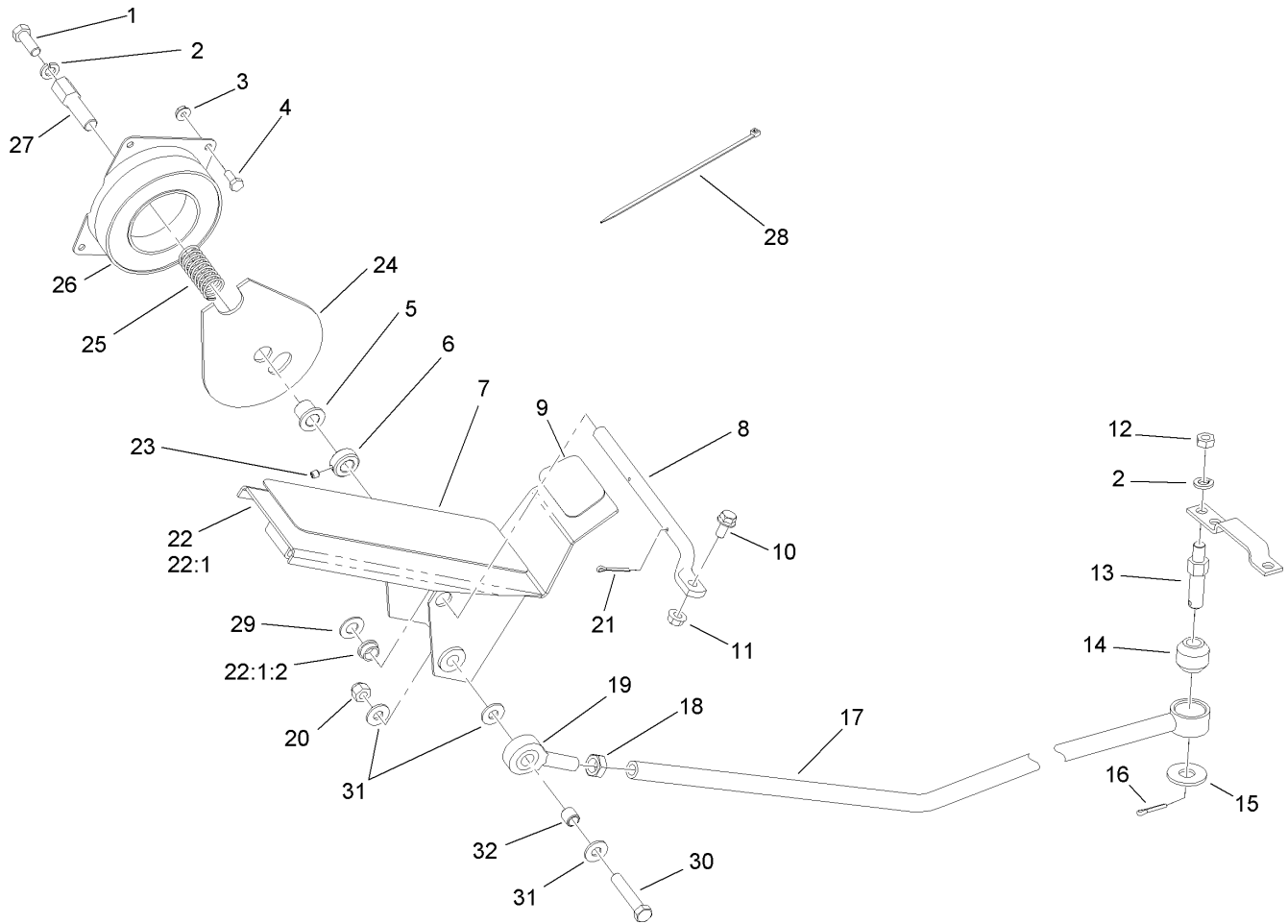
Ref	Part No.	Qty.	Description
20:2:6	302-5	1	Fitting-Grease
21	69-7700-03	2	Pedal ASM
22	322-4	4	Screw-HH
23	49-6171	1	Pad-Brake, LH
24	49-6172	1	Pad-Brake, RH
25	69-9200	1	Pin
26	3234-14	4	Screw-HHF
27	3256-22	4	Washer-Flat
28	3255-24	2	Washer-Lock / EXT
29	3272-5	1	Pin-Cotter



Service Brake Assembly

Ref	Part No.	Qty.	Description
1	3272-12	1	Pin-Cotter
2	323-7	3	Screw-HH
3	32128-21	3	Nut-HF
4	69-2640	1	Cylinder-Master
5	353-994	1	Fitting-Brake
6	74-2530	1	Front Brake Tube ASM
7	74-2510	1	LH Brake Tube ASM
8	218-242	1	Switch-Light, Stop
9	218-243	1	Tee
10	74-2520	1	RH Brake Tube ASM
11	322-4	2	Screw-HH
12	69-9340	1	Shaft-Cylinder, Master
13	3272-10	1	Pin-Cotter
14	3220-2	1	Nut-Jam
15	282-2	1	Yoke
16	32149-2	2	Nut-Keps
17	3234-13	2	Screw-HHF
18	32127-11	2	Nut-Lock
19	93-7039-01	1	Bracket-Brake
20	93-7037	1	Switch
21	32144-1	2	Screw-Taptite
22	21-1830	1	Spring-Extension
23	283-1	1	Pin-Clevis
24	69-8750-03	1	Brake ASM

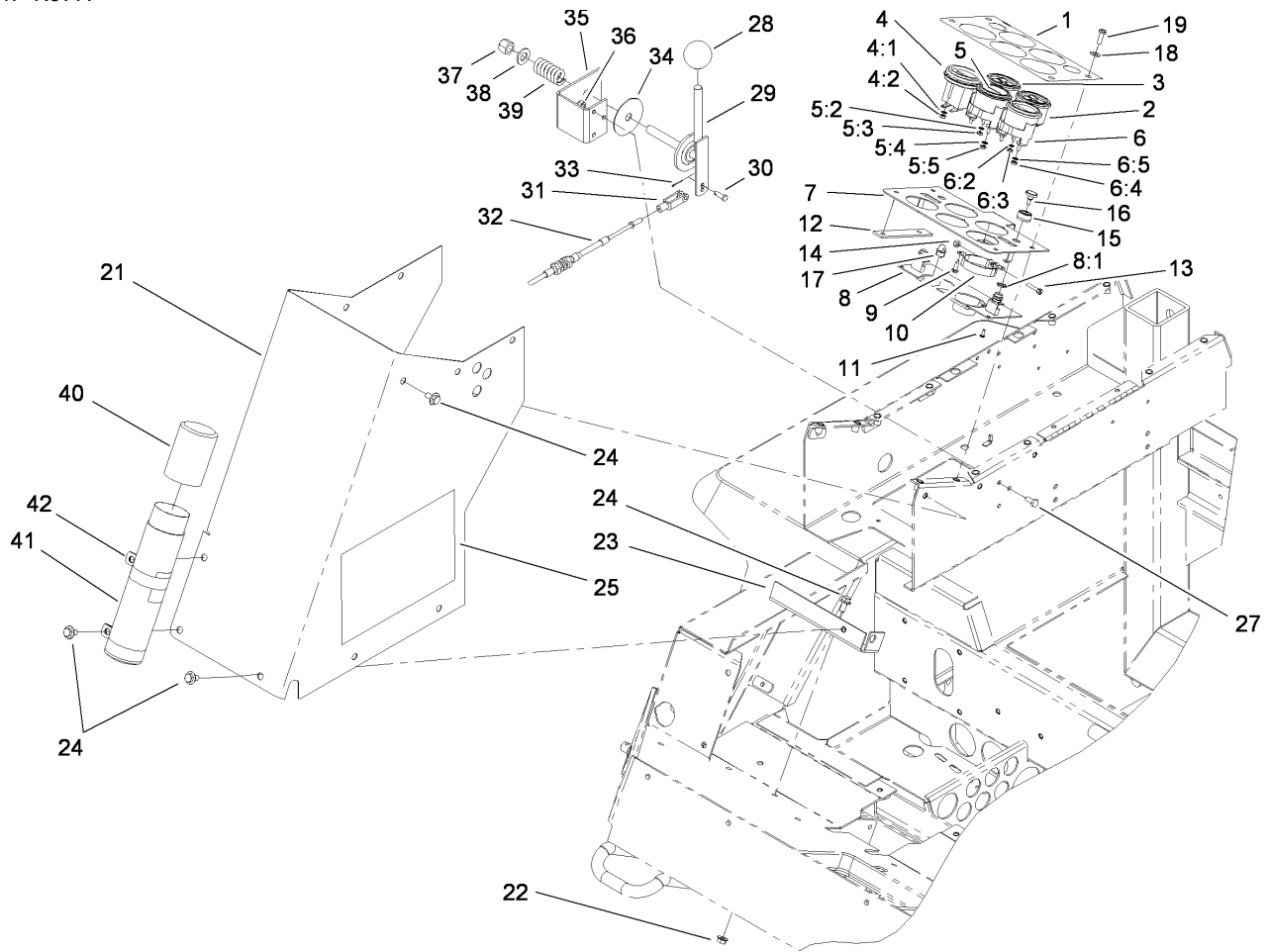
Ref	Part No.	Qty.	Description
25	32152-1	2	Nut-Lock, Cone
26	69-7700-03	1	Pedal ASM
27	49-6170	1	Pad-Brake
28	3256-24	1	Washer-Flat



Traction Pedal and Cruise Control Assembly

Ref	Part No.	Qty.	Description
1	323-6	1	Screw-HH
2	3253-21	2	Washer-Lock
3	32149-2	4	Nut-Keps
4	321-3	4	Screw-HH
5	256-273	1	Bushing-Flange
6	43-6320	1	Collar
7	71-0440	1	Abrasive-Pedal
8	69-9390	1	Shaft-Pedal
9	71-0450	1	Abrasive-Pedal, Rear
10	3234-14	1	Screw-HHF
11	32128-20	1	Nut-HF
12	3217-7	1	Nut-Hex
13	69-9030	1	Post-Device, Neutral
14	23-2270	1	Bushing-Rubber
15	3256-6	1	Washer-Flat
16	3272-10	1	Pin-Cotter
17	107-1179-03	1	Control-Rod
18	3220-5	1	Nut-Jam
19	61-3530	1	Bearing-Rod End, RH
20	3296-39	1	Nut-Lock, NI
21	3272-7	2	Pin-Cotter
22	99-5347-03	1	Traction Pedal ASM
●22:1		1	Pedal-Traction
22:1:2	256-156	2	Bushing-Flange

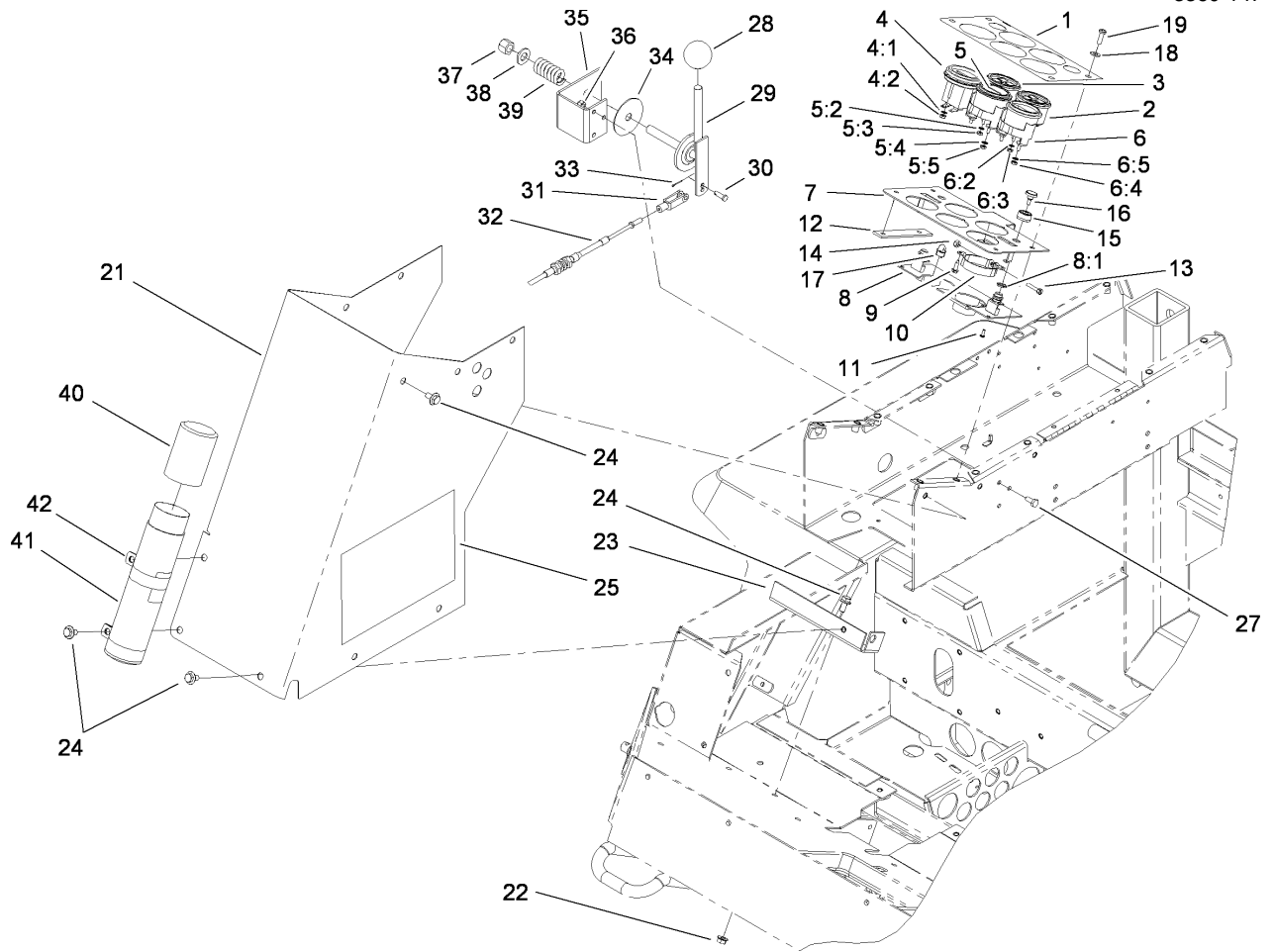
Ref	Part No.	Qty.	Description
23	3245-1	1	Screw-Set, HSH
24	99-5348	1	Plate-Clutch
25	43-6200	1	Spring-Compression
26	100-8016	1	Field Core Coil ASM
27	92-9701	1	Shaft-Cruise
28	3290-378	1	Tie-Cable
29	3256-26	1	Washer-Flat
30	323-10	1	Screw-HH
31	3256-3	3	Washer-Flat
32	256-2	1	Bushing



Gauge Panel Assembly

Ref	Part No.	Qty.	Description
1	106-0393	1	Decal-Panel, Gauge
2	71-4210	1	Cluster-Light, Warning
3	71-4200	1	Cluster-Light, Warning
4	66-2950	1	Gauge-Hourmeter
4:1	3255-20	2	Washer-Lock
4:2	3217-25	2	Nut-Hex
5	66-2940	1	Gauge-Fuel
5:2	3254-1	2	Washer-Lock, Int
5:3	3217-27	2	Nut-Hex
5:4	3255-24	3	Washer-Lock / EXT
5:5	3217-16	3	Nut-Hex
6	63-7430	1	Gauge-Temperature
6:2	3254-1	2	Washer-Lock, Int
6:3	3217-27	2	Nut-Hex
6:4	3217-16	3	Nut-Hex
6:5	3255-24	3	Washer-Lock / EXT
7	86-7410-03	1	Plate-Gauge
8	92-1771	1	Board-Instrument
8:1	218-498	2	Nut-Lock
9	32144-19	4	Screw-SHWH
10	69-4780	2	Clamp-Gauge
11	32104-16	4	Screw-PPH
12	71-4250-03	2	Spacer-Panel
13	32105-12	2	Screw

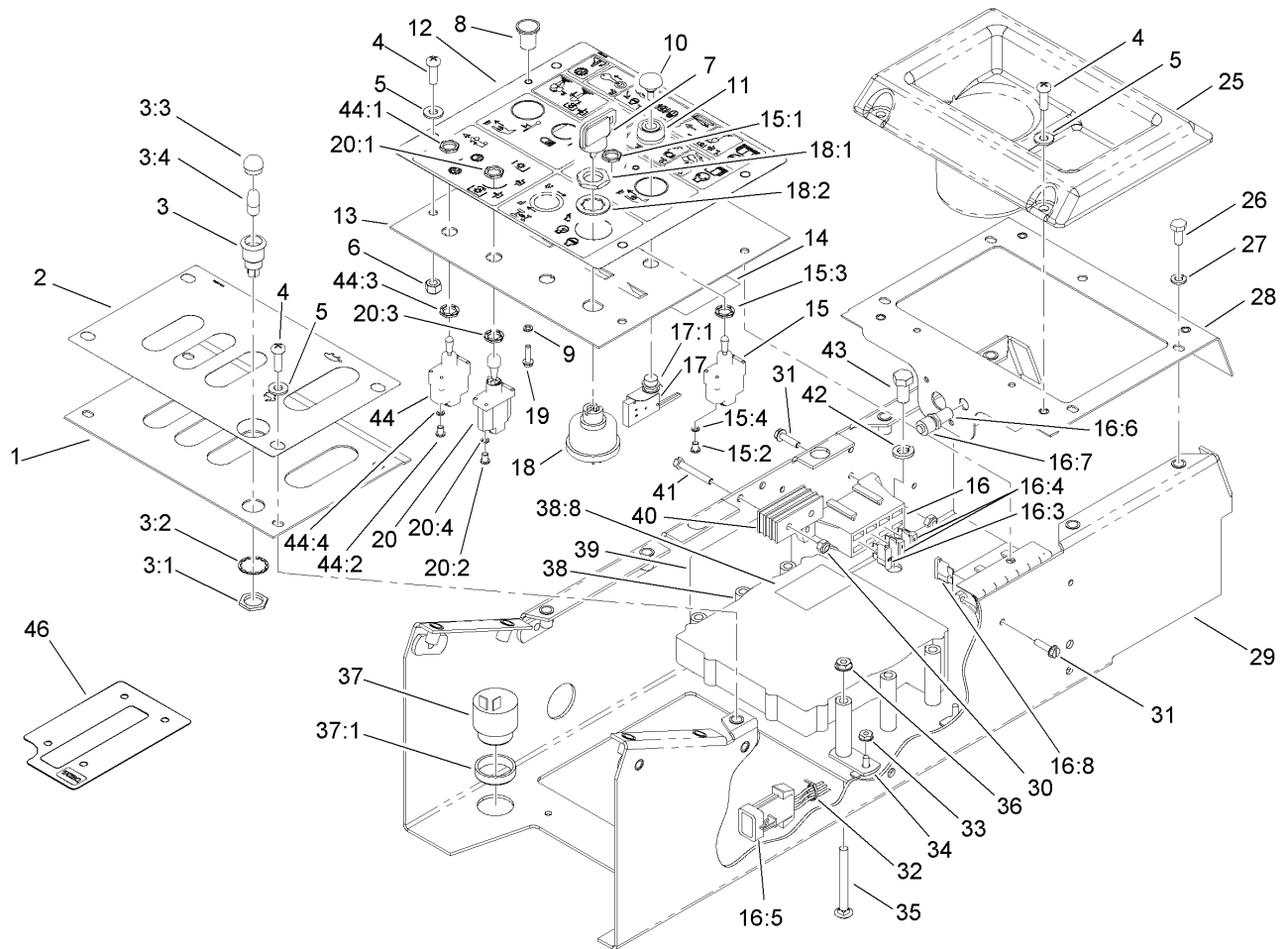
Ref	Part No.	Qty.	Description
14	3296-2	2	Nut-Lock
15	43-6420	2	Bezel
16	43-6280	2	Button-Push
17	219-17	8	Bulb
18	3256-22	4	Washer-Flat
19	3290-133	4	Screw
21	69-9560-01	1	Housing-Control
22	32128-20	2	Nut-HF
23	69-8210-03	1	Support-Cover
24	3234-14	13	Screw-HHF
25	108-8074	1	Decal-Service
27	321-3	3	Screw-HH
28	233-48	1	Knob
29	69-8040	1	Lever-Throttle
30	283-67	1	Pin-Clevis
31	282-28	1	Clevis-Adjustable
32	77-2990	1	Cable-Throttle
33	3272-1	1	Pin-Cotter
34	3-2858	1	Disc-Friction
35	69-9130-03	1	Bracket-Throttle
36	3296-42	3	Nut-Lock, NI
37	3296-23	1	Nut-Lock, NI
38	3256-26	1	Washer-Flat
39	3-8596	1	Spring-Compression



Gauge Panel Assembly (continued)

Ref	Part No.	Qty.	Description
40	104-7048	1	Cap-Housing
41	104-7050	1	Housing-Manual
42	2412-133	2	R-Clamp

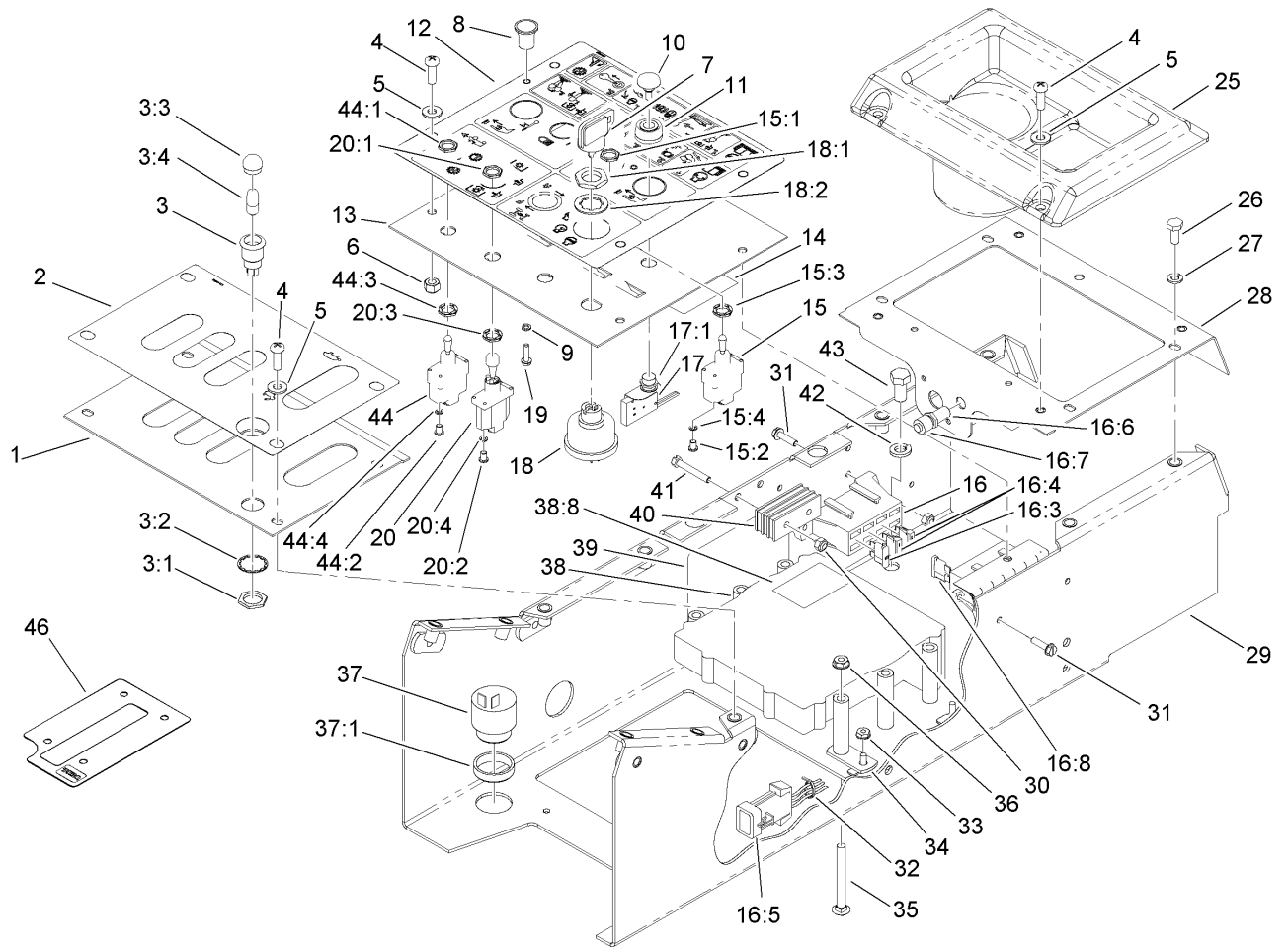
--	--	--	--



Control Box and Lower Control Panel Assembly

Ref	Part No.	Qty.	Description
1	100-3393-03	1	Plate-Lever, Lift
2	106-0392	1	Decal-Panel, Deck Lift
3	44-2210	1	Light-Indicator, Red
3:1	218-535	1	Nut-Hex
3:2	218-536	1	Washer-Lock
3:3	218-533	1	Lens
3:4		1	Bulb
4	3290-133	12	Screw
5	3256-22	12	Washer-Flat
6	3296-42	4	Nut-Lock, NI
7	63-8360	2	Key-Ignition
8	233-66	1	Knob-Plastic
9	3253-15	1	Washer-Lock
10	43-6280	2	Button-Push
11	43-6420	2	Bezel
12	106-0391	1	Decal-Panel, Control
13	106-0486-03	1	Plate-Control
14	108-8001	1	Decal-Fuse
15	69-9740	1	Switch
15:1	218-498	2	Nut-Lock
15:2	218-588	3	Screw
15:3	218-589	1	Washer
15:4	3253-19	3	Washer-Lock
16	107-2186	1	Harness-Wire

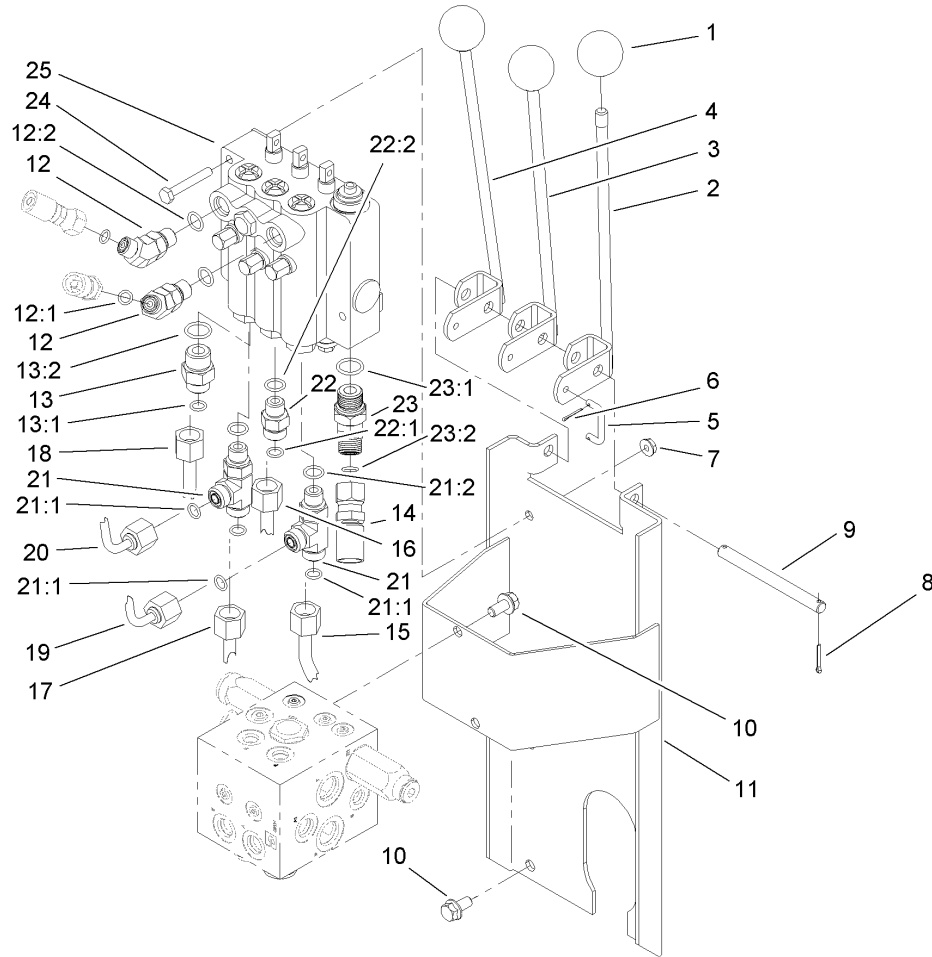
Ref	Part No.	Qty.	Description
16:1	106-0065	2	Link-Fusable
16:2	99-6125	1	Fusable Link Wire ASM
16:3	110928	1	Fuse-5 Amp
16:4	109355	2	Fuse-15 Amp
16:5	85-4650	1	Connector
16:6	85-4491	1	Light-Indicator (Includes Lamp)
16:7	219-19	1	Lamp-Green
16:8	218-578	1	Fuse-10 Amp
16:9	110-6180	1	Harness-Wire, Road Light
17	72-9760	2	Switch
17:1	218-498	1	Nut-Lock
18	104-2541	1	Switch ASM
18:1	218-461	1	Nut-HH
18:2	3254-5	1	Washer-Tooth
19	3290-392	1	Screw-HHF
20	69-9730	1	Switch-PTO
20:1	218-498	2	Nut-Lock
20:2	218-588	3	Screw
20:3	218-589	1	Washer
20:4	3253-19	3	Washer-Lock
25	69-7040	1	Holder-Cup
26	321-3	4	Screw-HH
27	3253-3	4	Washer-Lock
28	71-2430-03	1	Rear Plate ASM



Control Box and Lower Control Panel Assembly (continued)

Ref	Part No.	Qty.	Description
29	71-4130	1	Support-Control
30	3296-2	6	Nut-Lock
31	32105-13	4	Screw-HWH
32	3290-378	7	Tie-Cable
33	32149-7	3	Nut-Keps
34	92-8661	3	Tab
35	3229-8	3	Screw-CARR
36	32149-2	3	Nut-Keps
37	80-9330	1	Alarm-Audio
37:1	104-5107	1	Nut-Plastic, Knurled
38	92-5720	1	Controller
38:8	93-8053	1	Decal
39	108-8002	1	Decal-Fuse
40	69-6260	1	Magnet
41	32105-1	2	Screw-SHH
42	3253-21	4	Washer-Lock
43	323-4	4	Screw-HH
44	71-4170	1	Switch
44:1	218-498	2	Nut-Lock
44:2	218-588	3	Screw
44:3	218-589	1	Washer
44:4	3253-19	3	Washer-Lock
46	92-4087	1	Decal-Display

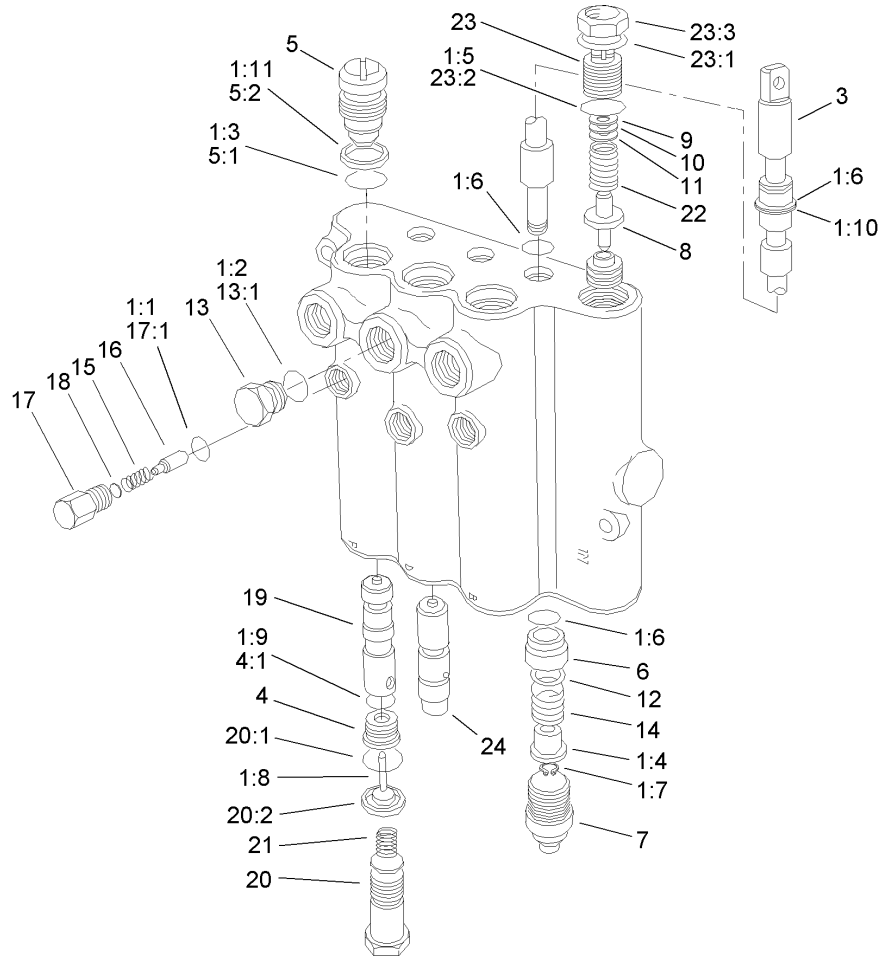
--	--	--	--



Lift Valve Installation Assembly

Ref	Part No.	Qty.	Description
1	233-42	3	Knob
2	69-7010	1	Lever-Valve, LH
3	69-6990	1	Lever-Valve, Center
4	69-7000	1	Lever-Valve, RH
5	69-9140	3	Link-Lever, Valve
6	3272-1	6	Pin-Cotter
7	32149-2	2	Nut-Keps
8	3272-6	2	Pin-Cotter
9	69-9150	1	Shaft-Lever, Valve
10	3234-14	6	Screw-HHF
11	69-7810-03	1	Valve Bracket ASM
12	340-137	2	Fitting
12:1	237-21	1	O-Ring
12:2	237-42	1	O-Ring
13	340-3	1	Adapter
13:1	237-22	1	O-Ring
13:2	237-79	1	O-Ring
14	99-3577	1	Hose ASM
15	69-5700	1	Tube-HYD
16	69-5720	1	Tube-HYD
17	69-5740	1	Tube-HYD
18	69-5870	1	Tube-HYD
19	69-5680	1	Tube-HYD
20	69-5890	1	Tube-HYD

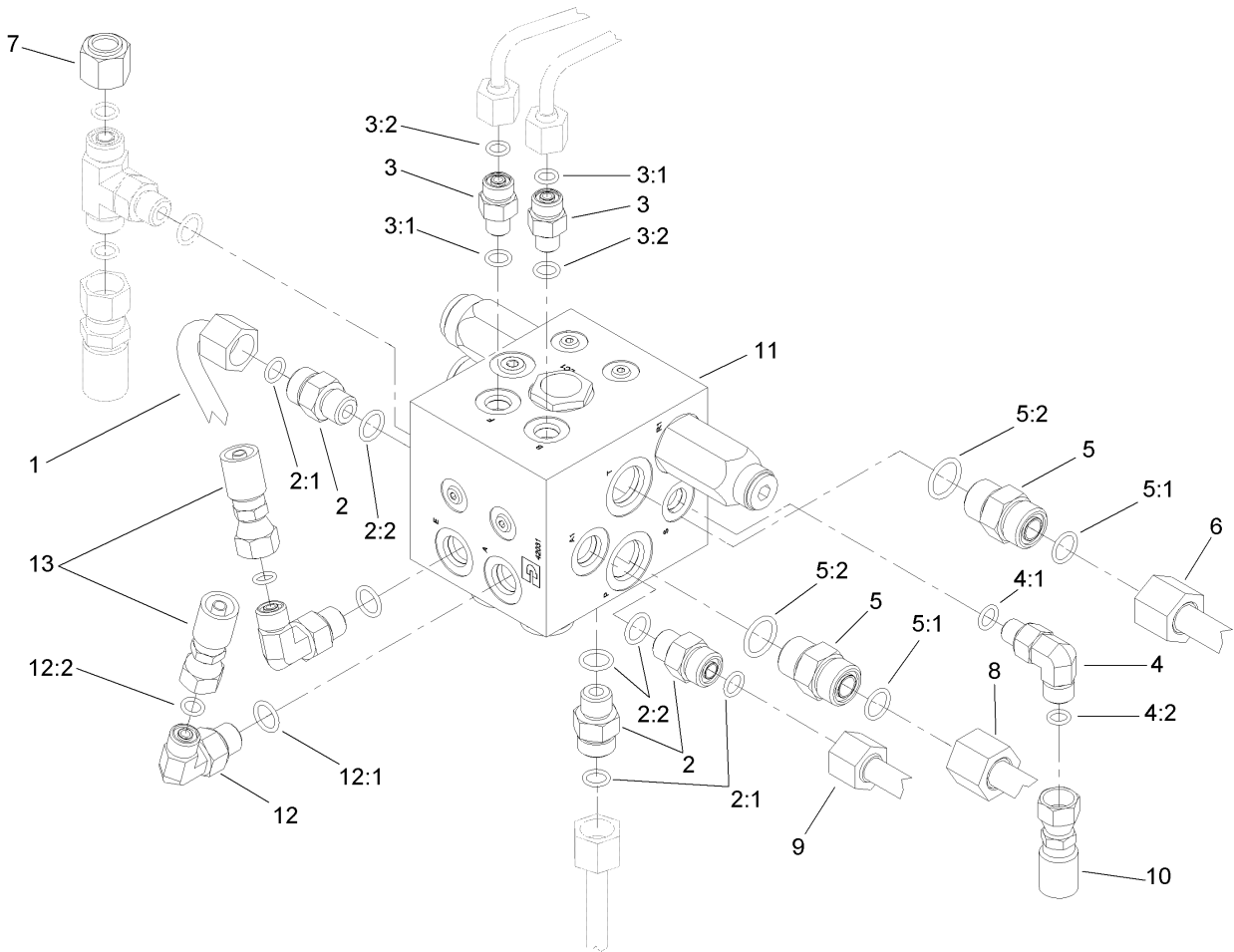
Ref	Part No.	Qty.	Description
21	340-86	2	Fitting-Tee
21:1	237-22	2	O-Ring
21:2	237-42	1	O-Ring
22	340-2	1	Fitting-HYD, Straight
22:1	237-22	1	O-Ring
22:2	237-42	1	O-Ring
23	340-138	1	Fitting-HYD, 45 DEG
23:1	237-79	1	O-Ring
23:2	237-22	1	O-Ring
24	321-10	2	Screw-HH
25	69-1780	1	Control Valve ASM



Control Valve Assembly No. 69-1780

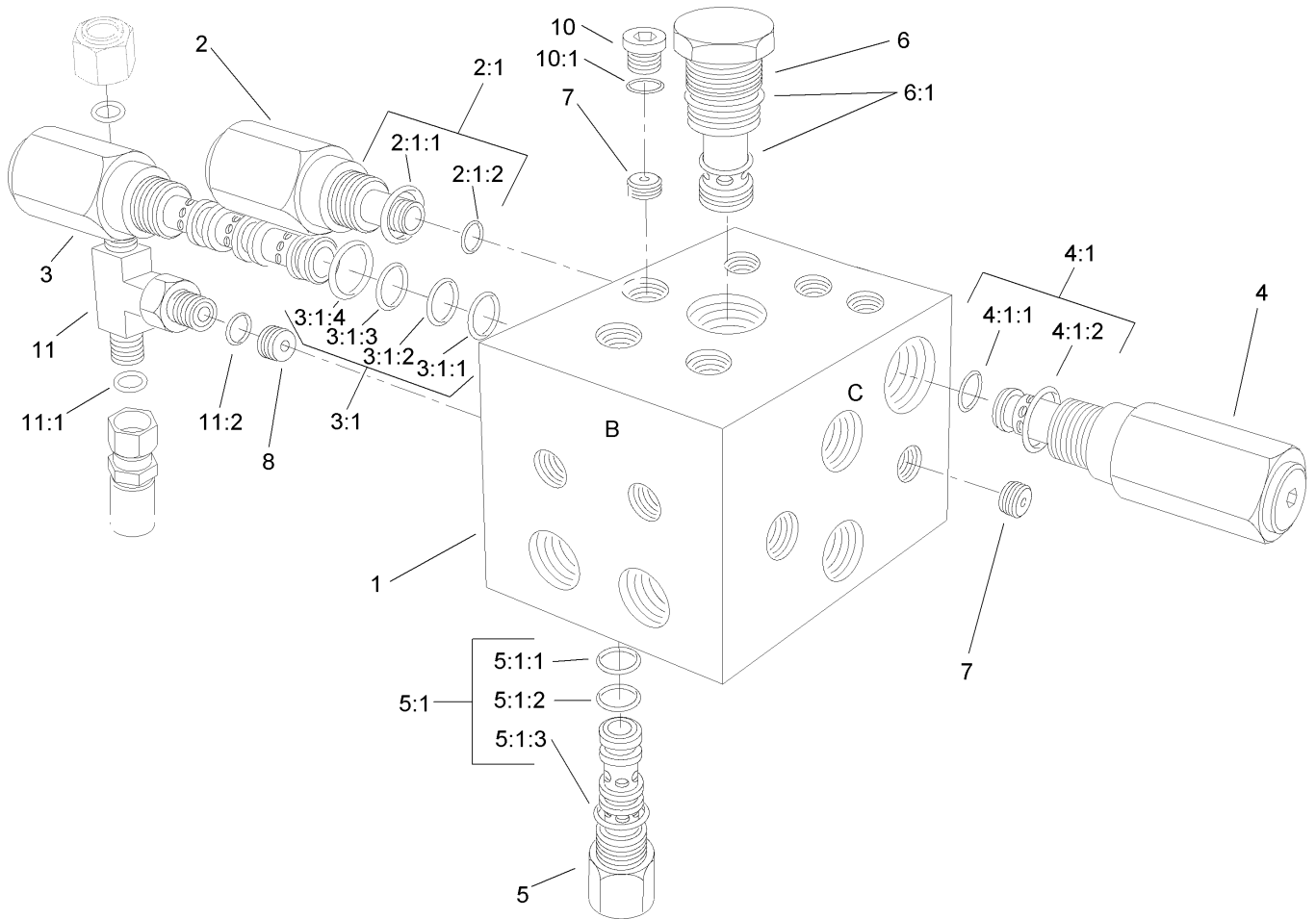
Ref	Part No.	Qty.	Description
1	60-3780	1	Seal Kit
1:1	58-6790	3	O-Ring
1:2	58-6720	3	O-Ring
1:3	60-5720	6	O-Ring
1:4	58-6310	6	Spacer
1:5	58-6750	1	O-Ring
1:6	58-6450	6	O-Ring
1:7	58-6460	3	Ring-Retaining
1:8	58-6290	3	Poppet
1:9	58-6340	3	O-Ring
1:10	58-6320	3	Wiper
1:11	58-6370	1	Washer
23		1	Spool
4	58-6330	3	Seat
4:1	58-6340	1	O-Ring
5	58-6350	3	Plug
5:1	60-5720	1	O-Ring
5:2	58-6370	1	Washer
6	58-6400	3	Bushing
7	58-6420	3	Cap
8	92-2568	1	Poppet
9	58-6470	1	Washer
10	58-6480	1	Washer
11	58-6490	1	Washer

Ref	Part No.	Qty.	Description
12	65-2770	3	Washer
13	58-6710	1	Plug
13:1	58-6720	1	O-Ring
14	58-6730	3	Spring
15	58-6760	3	Spring
16	58-6770	3	Plunger
17	58-6780	3	Plug
17:1	58-6790	1	O-Ring
18	60-6450	1	Disc
19	84-6420	2	Plunger
20	69-1800	3	Plug ASM
20:1	60-5720	1	O-Ring
20:2	58-6370	1	Washer
21	69-1810	3	Spring
22	106-0267	1	Spring
23	69-1830	1	Plug ASM
23:1		1	Washer
23:2	58-6750	1	O-Ring
23:3		1	Nut-Lock
24	69-1840	1	Plunger



Counterbalance Manifold Installation Assembly

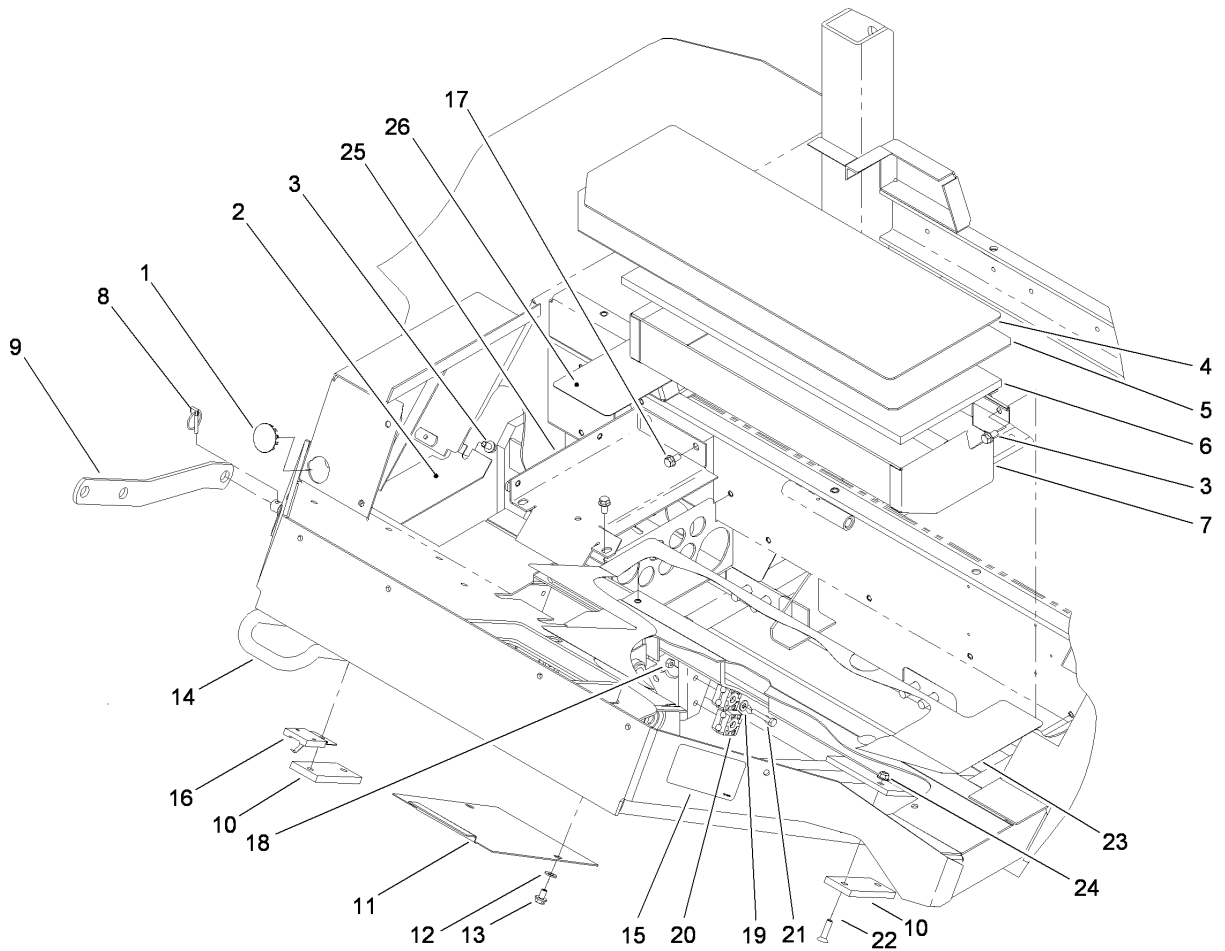
Ref	Part No.	Qty.	Description
1	69-5730	1	Tube-HYD
2	340-2	3	Fitting-HYD, Straight
2:1	237-22	1	O-Ring
2:2	237-42	1	O-Ring
3	340-92	2	Fitting-HYD, Straight
3:1	237-78	1	O-Ring
3:2	237-21	1	O-Ring
4	340-132	1	Fitting-HYD, 90 DEG
4:1	237-78	1	O-Ring
4:2	237-21	1	O-Ring
5	340-4	2	Fitting-HYD, Straight
5:1	237-30	1	O-Ring
5:2	237-79	1	O-Ring
6	92-4967	1	Return Tube ASM
7	340-117	1	Cap
8	69-5850	1	Tube-HYD
9	69-5710	1	Tube-HYD
10	108-1535	1	Hydraulic Hose ASM
11	95-5907	1	Manifold-Counterbalance
12	340-82	2	Adapter
12:1	237-42	1	O-Ring
12:2	237-21	1	O-Ring
13	106-7981	2	Hose-HYD



Counterbalance Manifold Assembly No. 95-5907

Ref	Part No.	Qty.	Description
1	69-4070	1	Body-Manifold
2	95-5630	1	Relief-Operated, Pilot
2:1	95-5645	1	Seal Kit
2:1:1		1	Seal-Dust
2:1:2		1	Seal-Dust
2:1:3		1	P-Ring
3	95-5631	1	Valve-Sequence
3:1	95-5642	1	Seal Kit
3:1:1		1	Seal-Dust
3:1:2		1	Seal-Dust
3:1:3		1	Seal-Dust
3:1:4		1	Ring-Boss, Low Compression
4	95-5632	1	Relief-Operated, Pilot
4:1	95-5645	1	Seal Kit
4:1:1		1	Seal-Dust
4:1:2		1	Seal-Dust
4:1:3		1	P-Ring
5	95-5633	2	Valve-Pilot, Directional
5:1	95-5642	1	Seal Kit
5:1:1		1	Seal-Dust
5:1:2		1	Seal-Dust
5:1:3		1	Seal-Dust
5:1:4		1	Ring-Boss, Low Compression
6	95-5634	1	Cartridge-Logic, Spool

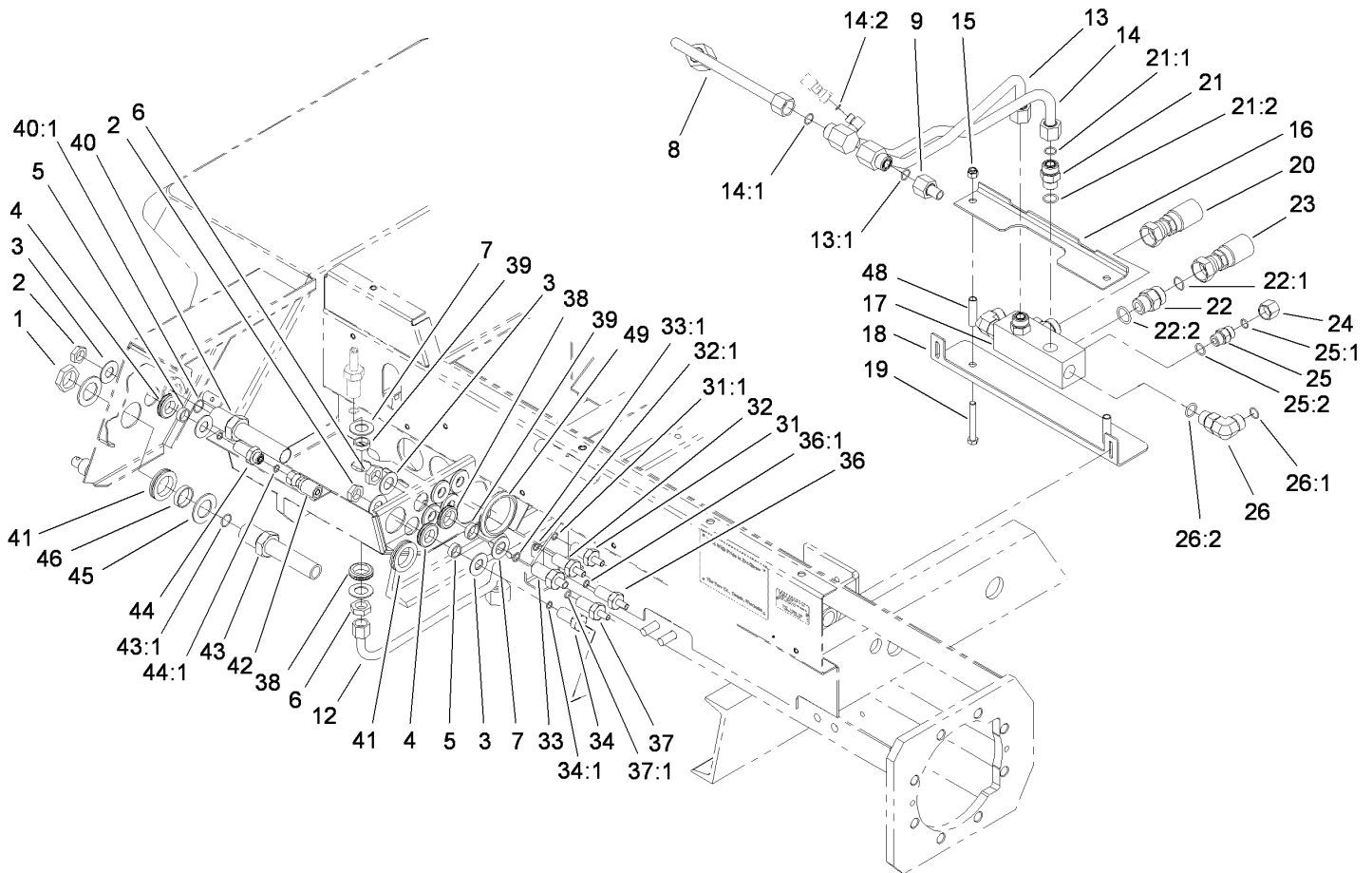
Ref	Part No.	Qty.	Description
6:1	95-5641	1	Seal Kit
7	69-4130	2	Plug-Orifice (0.047)
8	69-4140	1	Plug-Orifice (0.120)
10	353-990	1	Plug
10:1	237-78	1	O-Ring
11	340-94	1	Adapter
11:1	237-22	2	O-Ring
11:2	237-42	1	O-Ring



Frame Assembly

Ref	Part No.	Qty.	Description
1	2410-10	1	Button-Plug
2	69-9330-01	1	Cover
3	3234-14	6	Screw-HHF
4	71-0410	1	Abrasive-Cover, Toolbox
5	69-8080-01	1	Cover-Toolbox
6	69-9430	1	Foam-Toolbox
7	69-8110-03	1	Toolbox ASM
8	3290-495	2	Pin-Klik
9	85-6190-01	1	Link-Deck, Tilt
10	69-9300	2	Pad-Bumper
11	69-9470-01	1	Cover-Access
12	3256-23	2	Washer-Flat
13	3234-28	2	Screw-HHF
14	69-0100-01	1	Frame ASM
15	72-4080	2	Decal-Danger
16	93-7038	1	Switch-Transport
17	3234-14	4	Screw-HHF
18	32152-4	2	Nut-Lock, Cone
19	3256-22	2	Washer-Flat
20	56-7973	4	Clamp-Tube
21	321-9	2	Screw-HH
22	32108-103	4	Screw-FH
23	71-0420	1	Abrasive-Floor
24	104-8300	4	Nut-Flange, NI

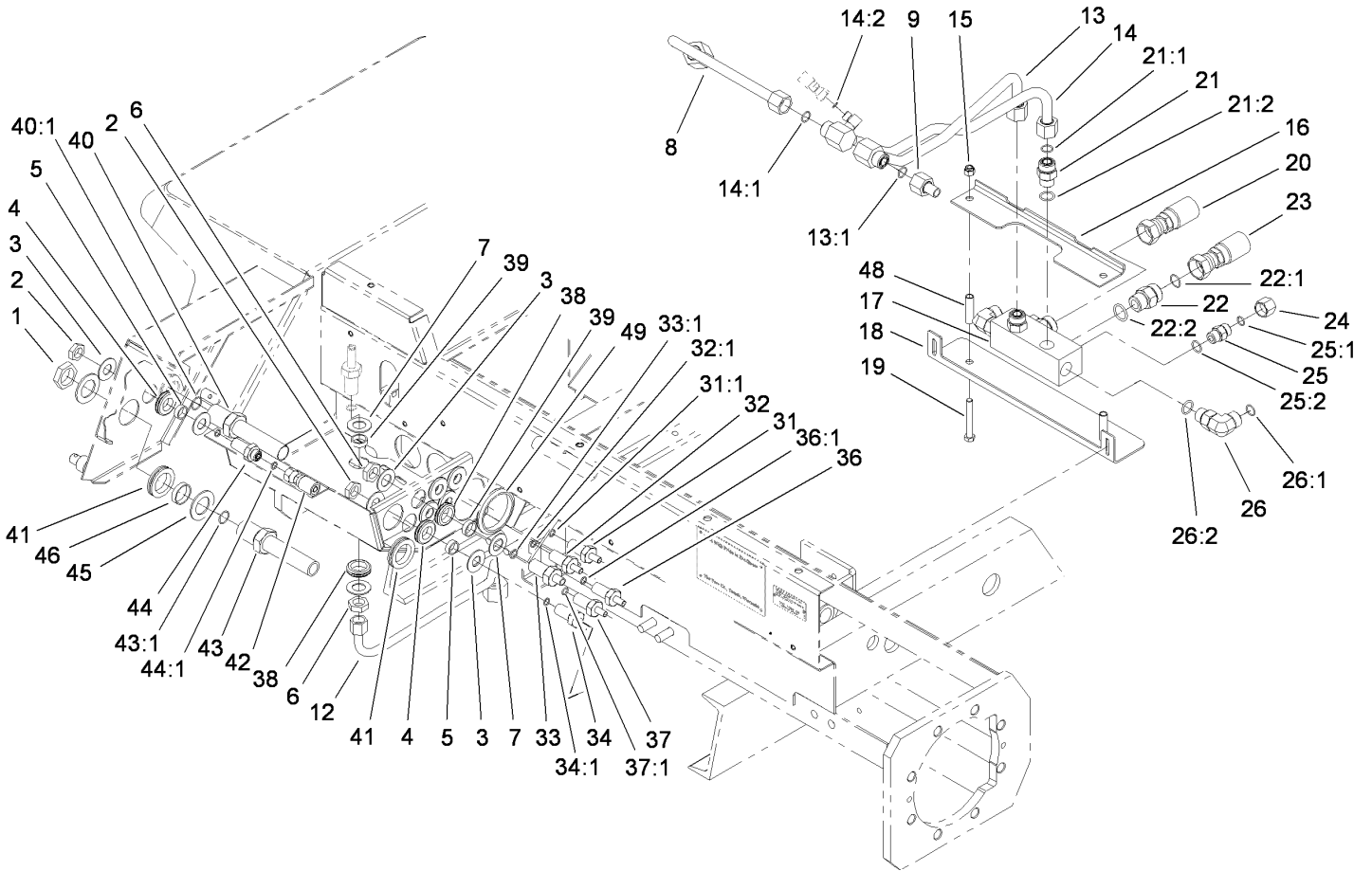
Ref	Part No.	Qty.	Description
25	71-2450-01	1	Cover-Access
26	71-0430	1	Abrasive-Floor



Hydraulic Compartment Assembly

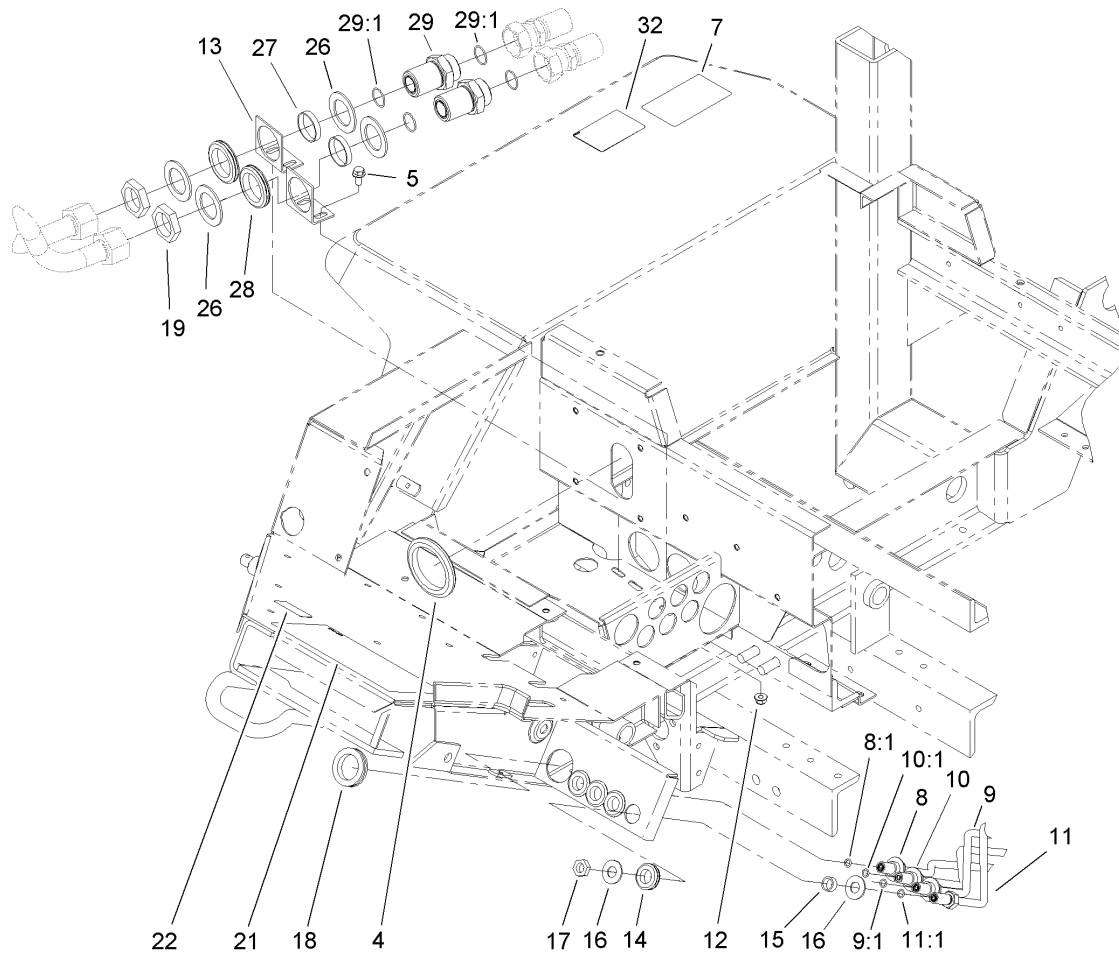
Ref	Part No.	Qty.	Description
1	340-126	2	Nut-Bulkhead
2	340-70	6	Nut-Lock
3	69-8940	12	Washer
4	240-4	6	Grommet-Rubber
5	69-8970	6	Spacer
6	340-127	2	Nut-Bulkhead
7	69-8930	4	Washer
8	106-0077	1	Tube-HYD, Traction (RH)
9	106-0076	1	Tube-HYD, Traction (LH)
12	85-6150	1	Tube-HYD
13	108-1534	1	LH Traction Tube ASM
13:1	237-65	1	O-Ring
14	108-1533	1	RH Traction Tube ASM
14:1	237-65	1	O-Ring
14:2	237-21	1	O-Ring
15	3296-39	2	Nut-Lock, NI
16	106-0199-03	1	Bracket-Support, Upper
17	105-0682	1	Block-HYD
18	106-0185-03	1	Bracket-Support, Lower
19	323-13	2	Screw-HH
20	106-0195	1	HYD Hose ASM
21	340-7	2	Adapter
21:1	237-65	1	O-Ring
21:2	237-80	1	O-Ring

Ref	Part No.	Qty.	Description
22	340-9	2	Fitting-Straight
22:1	237-58	1	O-Ring
22:2	237-81	1	O-Ring
23	106-0196	1	HYD Hose ASM
24	340-152	2	Cap-HYD
25	340-4	2	Fitting-HYD, Straight
25:1	237-30	1	O-Ring
25:2	237-79	1	O-Ring
26	340-17	2	Fitting-HYD, 90 DEG
26:1	237-65	1	O-Ring
26:2	237-80	1	O-Ring
31	69-6040	1	Tube-HYD
31:1	237-22	2	O-Ring
32	69-6030	1	Tube-HYD
32:1	237-22	2	O-Ring
33	69-5790	1	Tube-HYD
33:1	237-30	2	O-Ring
34	93-7426	1	Tube-HYD
34:1	237-22	1	O-Ring
36	69-6050	1	Tube-HYD
36:1	237-22	2	O-Ring
37	69-6060	1	Tube-HYD
37:1	237-22	2	O-Ring
38	240-5	2	Grommet-Rubber



Hydraulic Compartment Assembly (continued)

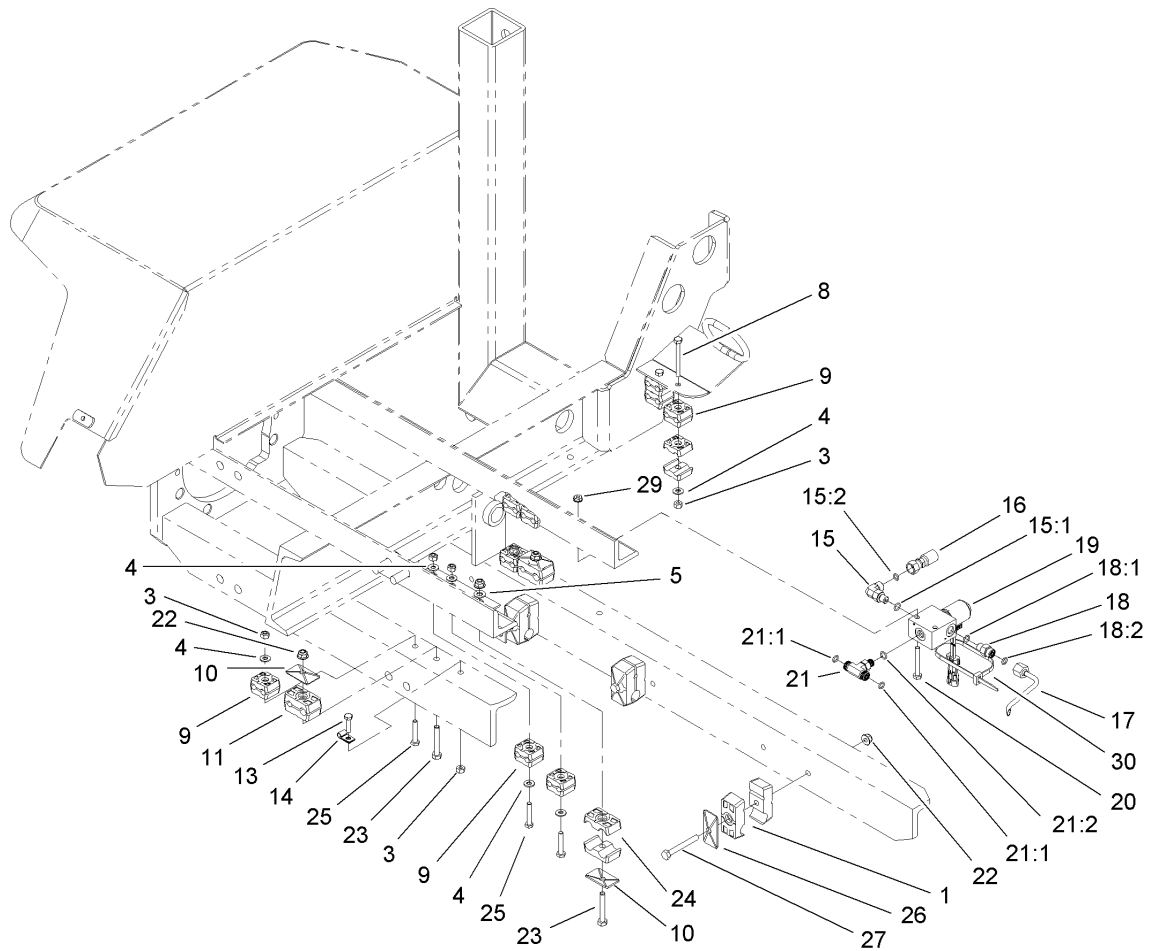
Ref	Part No.	Qty.	Description
39	69-8960	2	Spacer
40	69-5810	1	Tube-HYD
40:1	237-58	1	O-Ring
41	240-7	3	Grommet-Rubber
42	92-4970	1	Hose ASM
43	69-6100	1	Tube-HYD
43:1	237-58	1	O-Ring
44	340-71	1	Fitting-Straight, Bulkhead
44:1	237-22	2	O-Ring
45	69-8910	4	Washer
46	69-8900	2	Spacer
48	88-5470	2	Spacer-Axle, Front
49	237-164	1	Grommet



Hydraulic Line Assembly

Ref	Part No.	Qty.	Description
4	237-164	1	Grommet
5	3234-14	4	Screw-HHF
7	95-0821	1	Decal-Oil, HYD
8	69-6070	1	Tube-HYD
8:1	237-21	1	O-Ring
8:2	237-22	1	O-Ring
9	108-1538	1	HYD Tube ASM
9:1	237-21	1	O-Ring
9:2	237-22	1	O-Ring
10	69-6080	1	Tube-HYD
10:1	237-21	1	O-Ring
10:2	237-22	1	O-Ring
11	69-5800	1	Tube-HYD
11:1	237-21	1	O-Ring
12	104-8300	4	Nut-Flange, NI
13	71-2560-03	2	Support-Bulkhead
14	240-6	4	Grommet-Rubber
15	69-8990	4	Spacer
16	69-8980	8	Washer
17	340-78	4	Nut-Lock, Bulkhead
18	240-7	1	Grommet-Rubber
19	340-128	2	Nut-Bulkhead
21	107-1159	1	Decal-Danger
22	98-4387	1	Decal-Protection, Ear

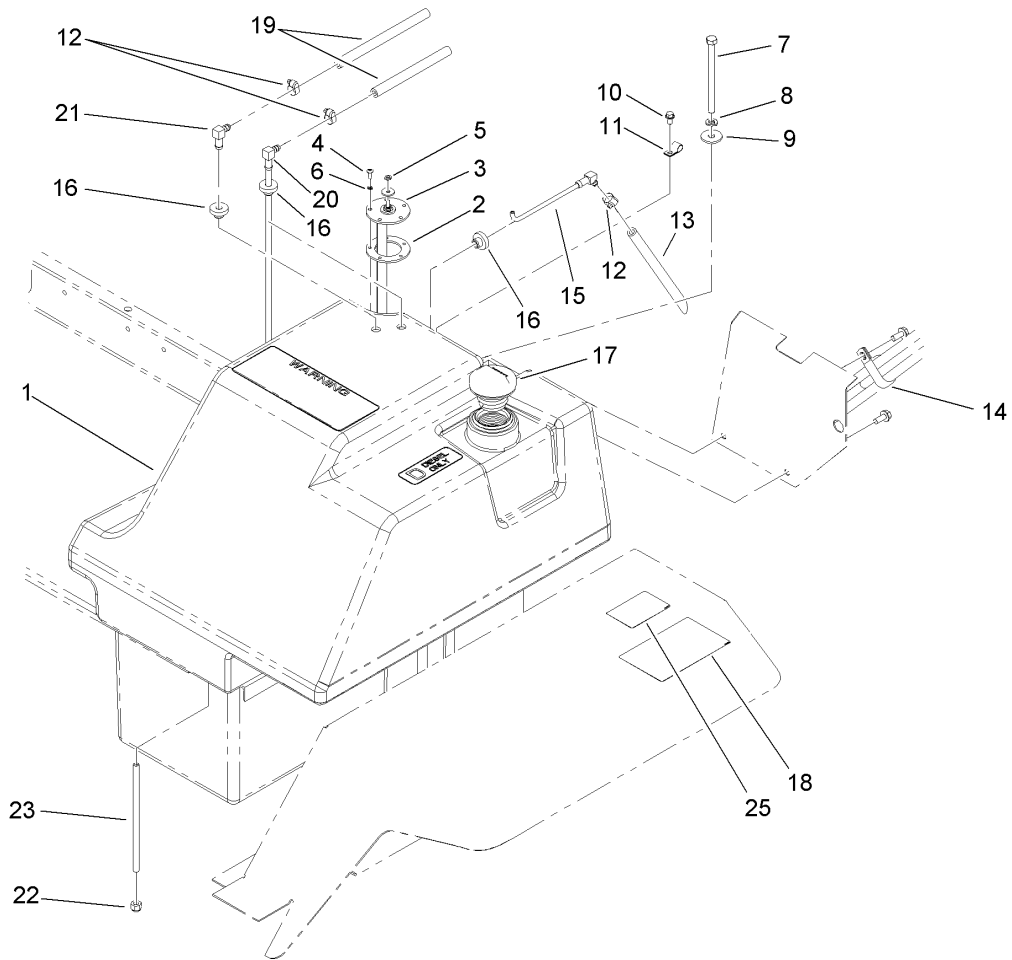
Ref	Part No.	Qty.	Description
26	69-8920	4	Washer
27	69-8950	2	Spacer
28	240-2	2	Grommet-Rubber
29	106-0060	2	Adapter-HYD
29:1	340-65	2	O-Ring
32	105-0739	1	Decal-Service, Driveshaft



Front Hydraulic Line Clamp Assembly

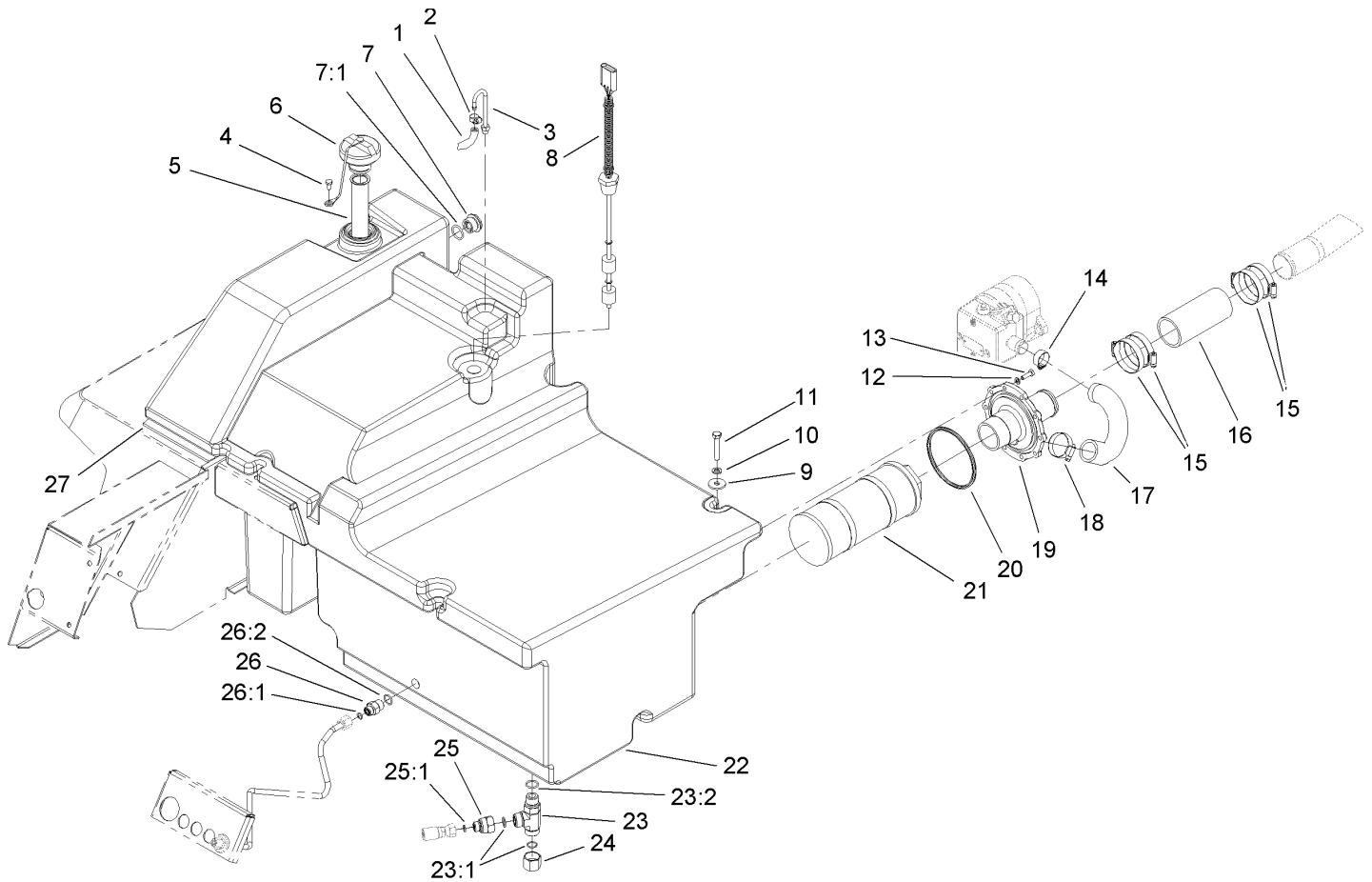
Ref	Part No.	Qty.	Description
1	56-7978	8	Clamp-Tube
3	32152-4	9	Nut-Lock, Cone
4	3256-22	10	Washer-Flat
5	3256-23	1	Washer-Flat
8	321-15	2	Screw-HH
9	56-7973	20	Clamp-Tube
10	69-9760	3	Coverplate
11	56-7972	4	Clamp-Tube
13	321-6	1	Screw-HH
14	2412-72	1	Clip-Closed, Insulated
15	340-132	1	Fitting-HYD, 90 DEG
15:1	237-78	1	O-Ring
15:2	237-21	1	O-Ring
16	108-1532	1	HYD Hose ASM
17	69-5950	1	Tube-HYD
18	340-92	1	Fitting-HYD, Straight
18:1	237-78	1	O-Ring
18:2	237-21	1	O-Ring
19	95-5916	1	Solenoid Valve ASM
20	321-11	2	Screw-HH
21	340-125	1	Fitting-Tee
21:1	237-21	2	O-Ring
21:2	237-78	1	O-Ring
22	104-8300	7	Nut-Flange, NI

Ref	Part No.	Qty.	Description
23	322-10	3	Screw-HH
24	56-7971	2	Clamp-Tube
25	321-9	6	Screw-HH
26	69-9761	4	Coverplate
27	322-12	4	Screw-HH
29	32149-2	2	Nut-Keps
30	3290-378	1	Tie-Cable



Fuel Tank Assembly

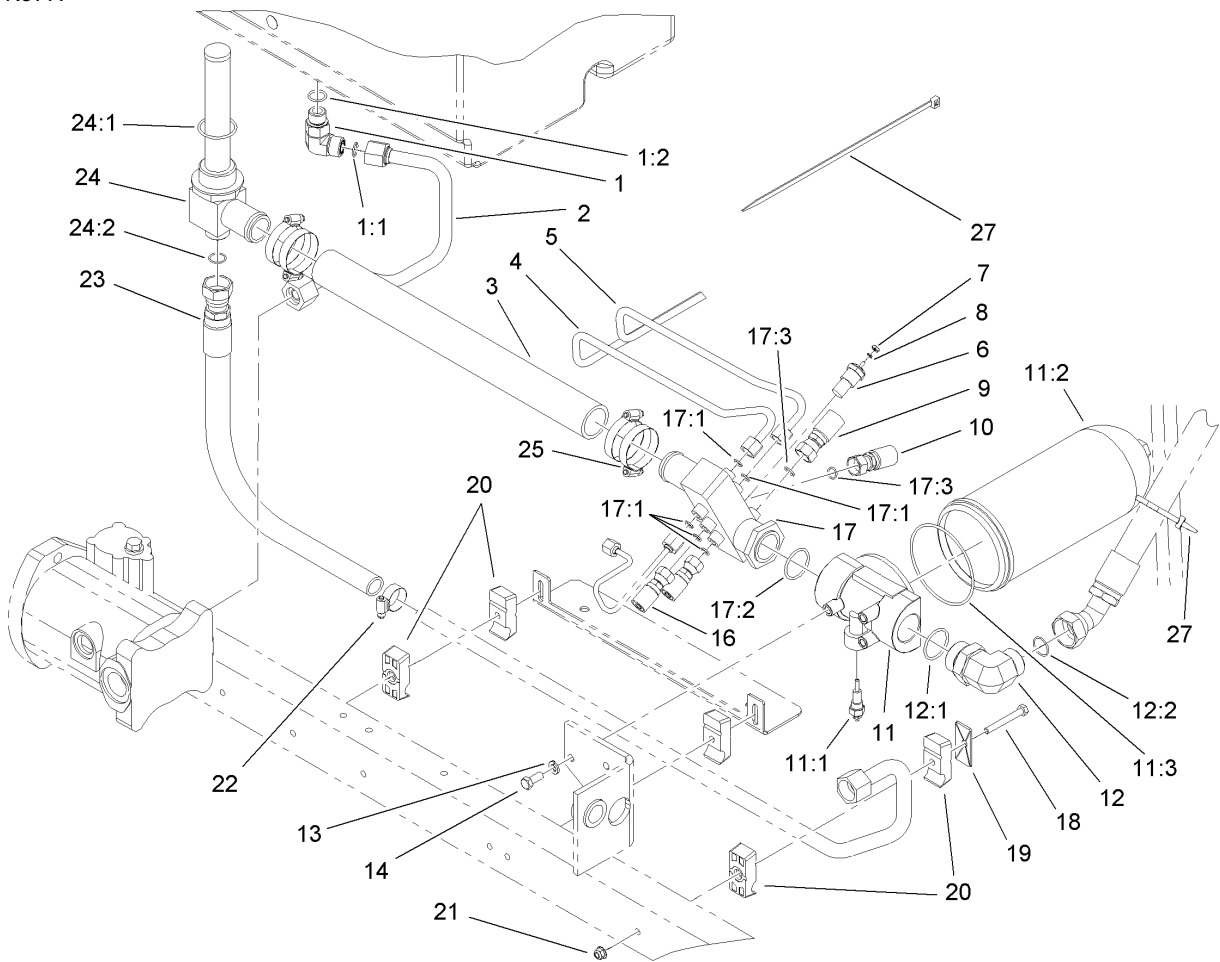
Ref	Part No.	Qty.	Description
1	106-0319	1	Tank-Fuel
2	62-7650	1	Gasket
3	70-6990	1	Sender-Level, Fuel
4	32122-24	5	Screw-PTH
5	5-3637	1	Spacer
6	3253-15	5	Washer-Lock
7	323-39	1	Screw-HH
8	3253-21	1	Washer-Lock
9	63-8410	1	Washer
10	3234-13	1	Screw-HHF
11	2412-89	1	Clamp
12	2412-108	3	Clamp-Worm
13	110-4112	1	Hose-Fuel
14	106-8829	1	R-Clamp, Double
15	94-3310	1	Tube-Vent
16	46-6560	3	Bushing
17	115-3002	1	Cap-Biodiesel
18	95-0822	1	Decal-Warning, Fuel Tank
19	110-6146	2	Hose-Fuel
20	106-0349	1	Pipe-Stand, Fuel
21	46-6550	1	Fitting-Elbow, 90 DEG
22	3296-39	1	Nut-Lock, NI
23	72-9550	1	Stud
25	105-0739	1	Decal-Service, Driveshaft



Hydraulic Tank Assembly

Ref	Part No.	Qty.	Description
1	110-6188	1	Hose-Fuel
2	2412-108	1	Clamp-Worm
3	69-4280	1	Tube-HYD
4	321-2	1	Screw-HH
5	61-2790	1	Filter-Screen
6	93-7160	1	Cap-Oil, HYD
7	69-1170	1	Glass-Sight
7:1	237-81	1	O-Ring
8	85-6260	1	Switch ASM
9	63-8410	4	Washer
10	3253-21	4	Washer-Lock
11	323-10	4	Screw-HH
12	3253-3	10	Washer-Lock
13	321-5	10	Screw-HH
14	2412-34	1	Clamp-Hose
15	2412-42	4	Clamp-Hose
16	69-5640	1	Hose-Return
17	107-1060	1	Hose-Suction
18	2412-3	1	Clamp-Hose
19	69-1610	1	Adapter-Hose, Suction
20	237-157	1	O-Ring
21	69-1650	1	Screen-Suction
22	94-1893	1	Tank-HYD
23	340-22	1	Fitting-HYD, Tee

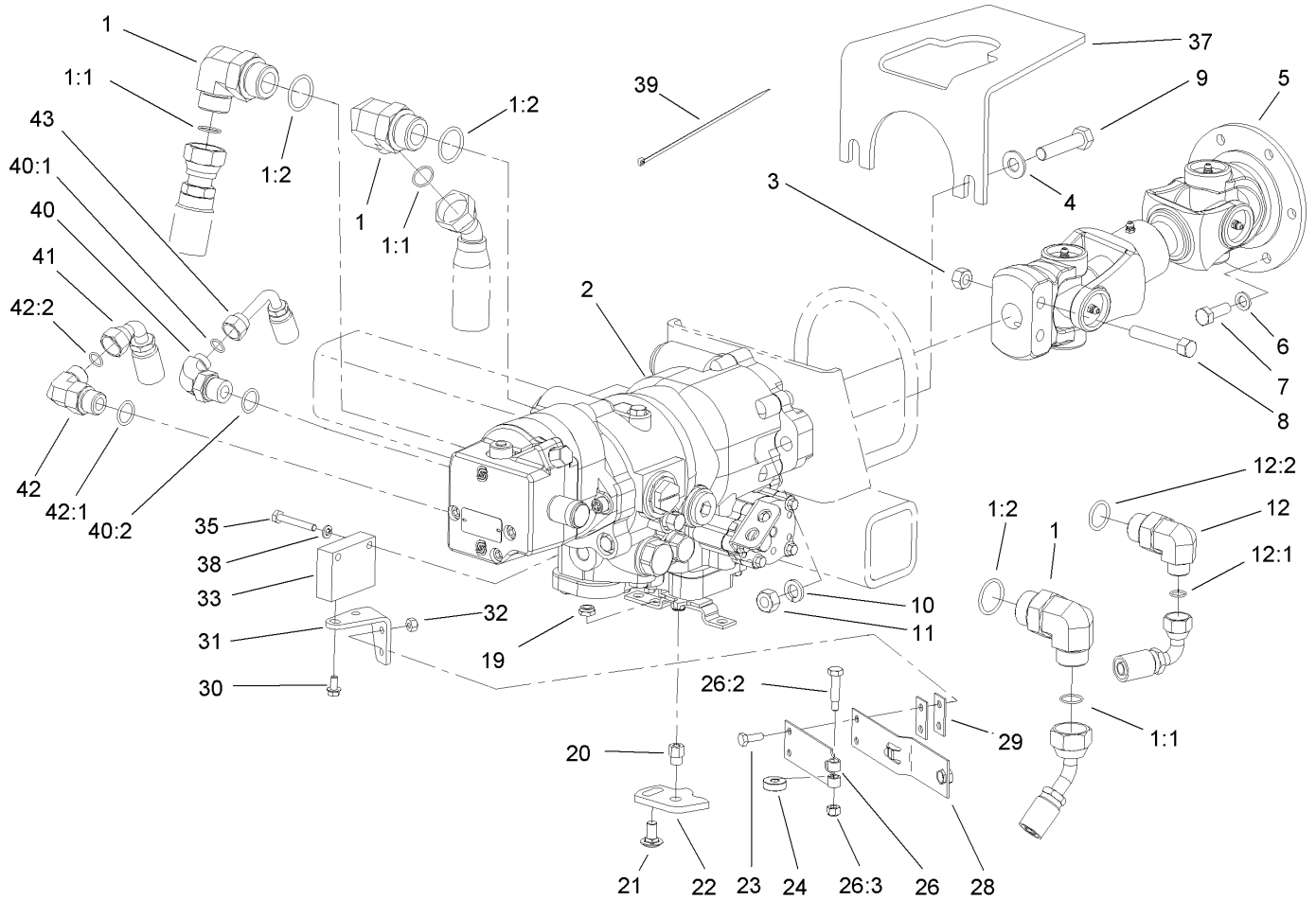
Ref	Part No.	Qty.	Description
23:1	237-65	2	O-Ring
23:2	237-80	1	O-Ring
24	340-150	1	Cap
25	98-7067	1	Fitting-HYD
25:1	237-22	1	O-Ring
26	340-3	1	Adapter
26:1	237-22	1	O-Ring
26:2	237-79	1	O-Ring
27	68-7574	1	Strip-Sealing



Hydraulic Filter Assembly

Ref	Part No.	Qty.	Description
1	340-17	1	Fitting-HYD, 90 DEG
1:1	237-65	1	O-Ring
1:2	237-80	1	O-Ring
2	92-4807	1	Tube ASM
3	74-2660	1	Hose
4	69-6000	1	Tube-HYD
④4:1	237-22	1	O-Ring
5	69-5990	1	Tube ASM
⑤5:1	237-22	1	O-Ring
6	39-7593	1	Thermo Switch ASM
7	3219-14	1	Nut-Hex
8	3253-2	1	Washer-Lock
9	69-5460	1	Hose ASM
10	69-5650	1	HYD Hose ASM
11	69-1700	1	Hydraulic Filter ASM
11:1	69-1710	1	Indicator ASM
11:2	69-1720	1	Element-Filter
11:3	237-155	1	O-Ring
12	340-79	1	Adapter
12:1	237-101	1	O-Ring
12:2	340-65	1	O-Ring
13	3253-21	3	Washer-Lock
14	323-5	3	Screw-HH
16	69-8440	1	Hose ASM

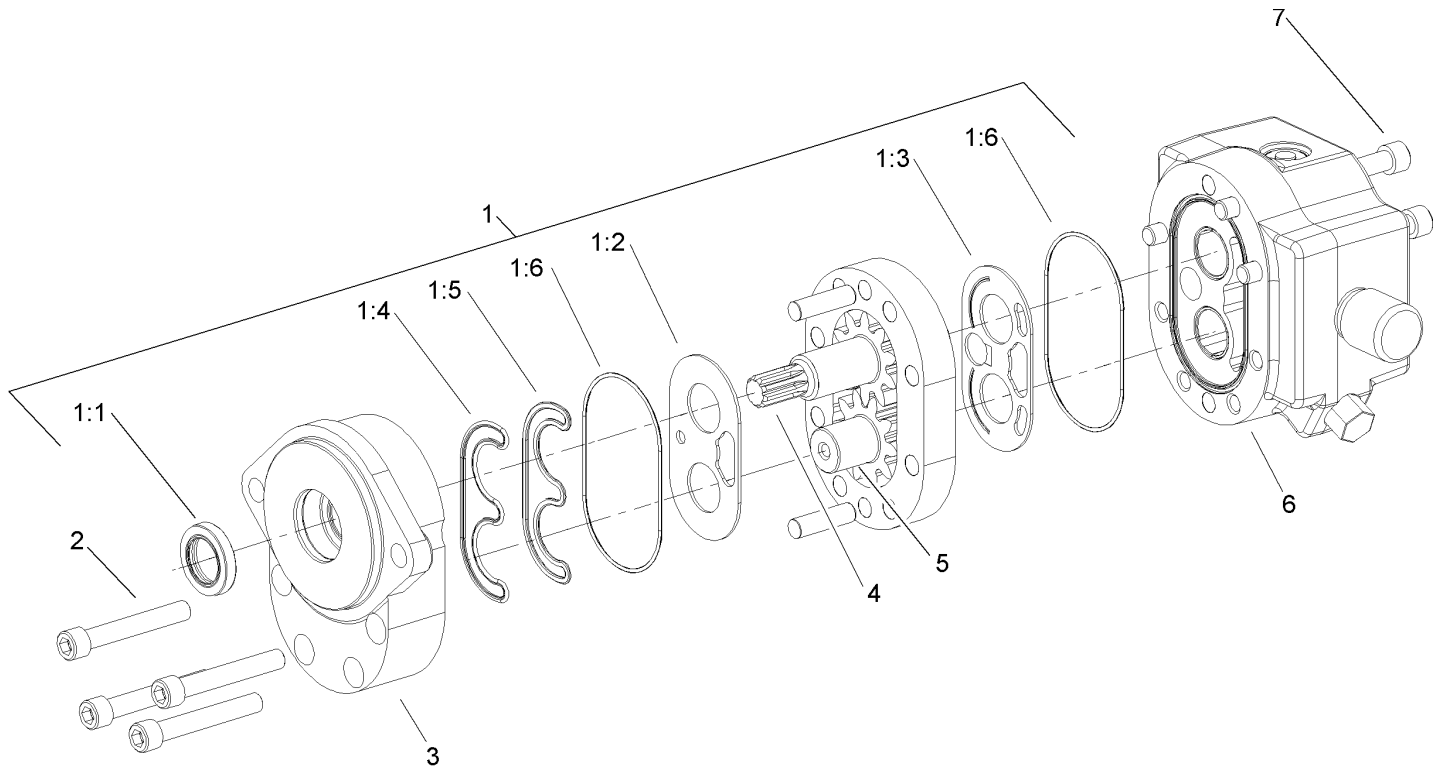
Ref	Part No.	Qty.	Description
17	69-5410	1	Fitting
17:1	237-22	5	O-Ring
17:2	237-101	1	O-Ring
17:3	237-30	2	O-Ring
18	322-12	3	Screw-HH
19	69-9761	1	Coverplate
20	56-7978	6	Clamp-Tube
21	104-8300	3	Nut-Flange, NI
22	2412-129	1	Clamp-Hose
23	92-2352	1	Hose ASM
24	92-2351	1	Fitting-Return, Tank
24:1	340-136	1	O-Ring
24:2	237-58	1	O-Ring
25	2412-92	4	Clamp-Hose
27	3290-378	4	Tie-Cable



Hydrostat and Gear Motor Assembly

Ref	Part No.	Qty.	Description
1	340-15	3	Fitting-HYD, 90 DEG
1:1	237-58	1	O-Ring
1:2	237-146	1	O-Ring
2		1	Tandem Pump ASM
3	106-0327	2	Nut-Hex
4	3256-26	2	Washer-Flat
5	106-0325	1	Driveshaft
6	48-9590	6	Washer-Lock
7	99-6058	6	Screw-Cap
8	26-0670	2	Screw-Blade
9	325-9	2	Screw-HH
10	3253-7	2	Washer-Lock
11	3217-9	2	Nut-HH
12	340-131	1	Fitting-HYD, 90 DEG
12:1	237-30	1	O-Ring
12:2	237-81	1	O-Ring
19	3296-59	1	Nut-Lock, NI
20	69-9020	1	Nut-Special
21	3231-30	1	Screw-CARR
22	69-9040-03	1	Cam-Device, Neutral
23	321-4	2	Screw-HH
24	251-307	1	Bearing-Ball
26	110-9650	1	Leaf Spring ASM
26:2	36-2250	1	Bolt-Shoulder

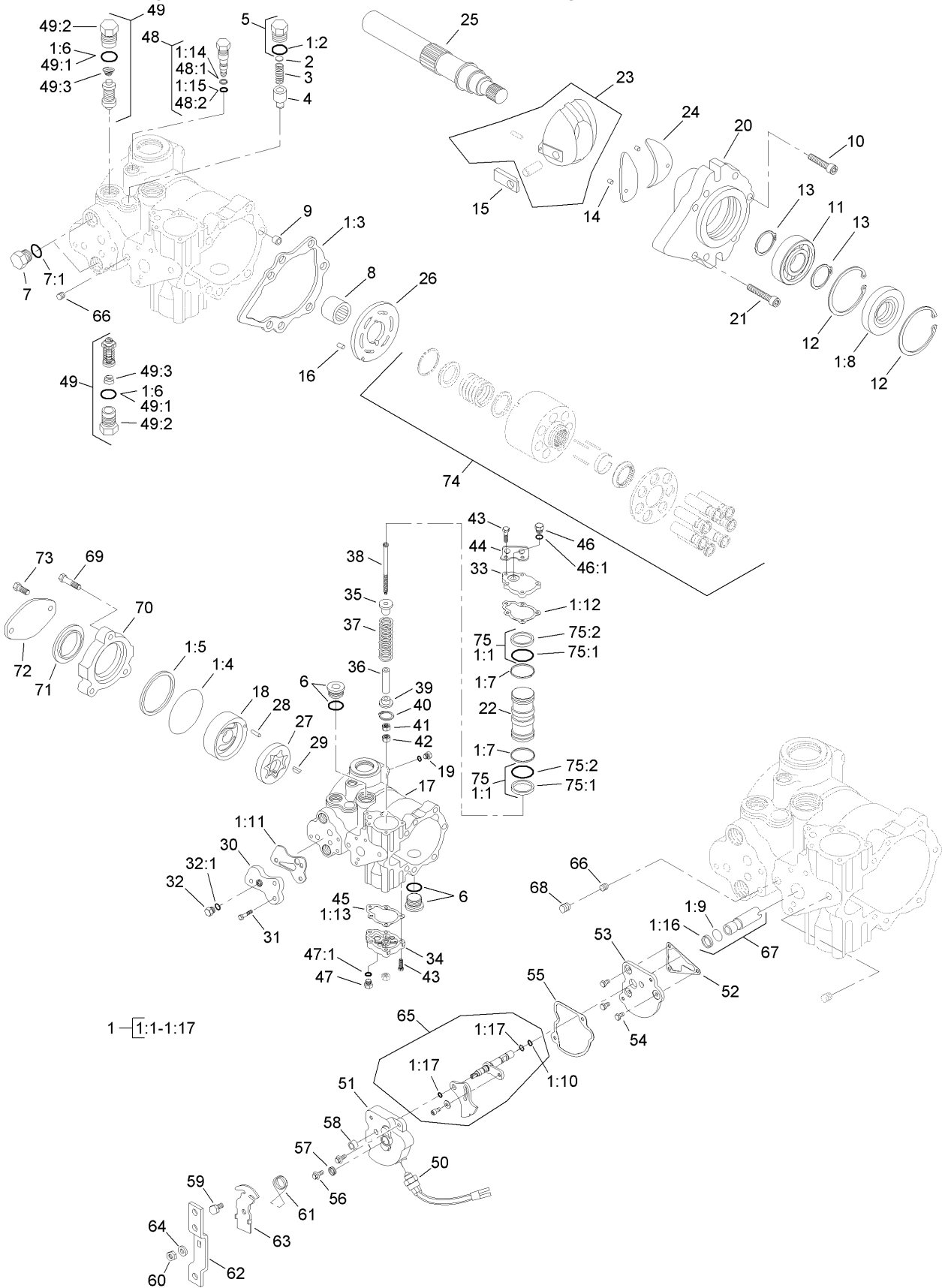
Ref	Part No.	Qty.	Description
26:3	3296-42	1	Nut-Lock, NI
28	29-6170	1	Extended Leaf Spring ASM
29	51-3150	2	Shim-Arm, Spring
30	3234-13	2	Screw-HHF
31	108-1536	1	Bracket-Mount, Spring
32	32152-4	2	Nut-Lock, Cone
33	108-1537	1	Spacer-Bar
35	321-10	2	Screw-HH
37	105-0583-03	1	Guard-Driveshaft
38	3253-3	2	Washer-Lock
39	3290-378	1	Tie-Cable
40	340-130	1	Fitting-Elbow, 90 DEG
40:1	237-30	1	O-Ring
40:2	237-80	1	O-Ring
41	107-1136	1	Hose ASM
42	340-105	1	Fitting-HYD, 90 DEG
42:1	237-80	1	O-Ring
42:2	237-30	1	O-Ring
43	107-1135	1	Hose ASM



Gear Pump Assembly No. 106-0336

Ref	Part No.	Qty.	Description	
1	108-8044	1	Seal Kit	
②1:1		1	Seal-Oil	
②1:2		1	Plate-Wear	
②1:3		1	Plate-Wear	
②1:4		1	Seal-Preload	
②1:5		1	Seal-Load	
②1:6		2	Ring-Sealing	
②2		4	Screw-Cap	
②3		1	Body ASM	
②4		1	Shaft-Drive	
②5		1	Gear-Idler	
②6		1	Flow Divider ASM	
②7		3	Screw-Cap	

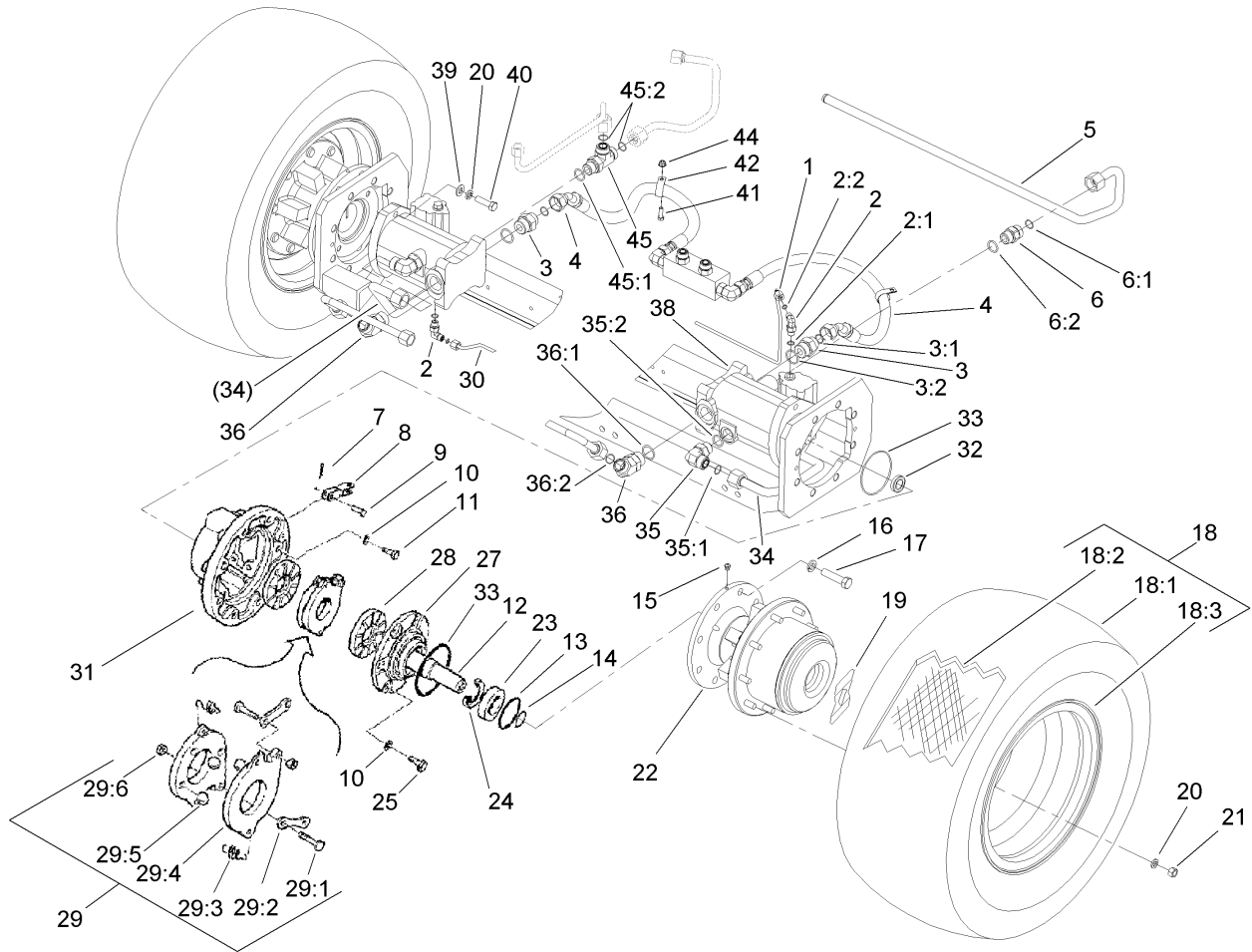
Hydrostat Pump Assembly No. 106-0335



Hydrostat Pump Assembly No. 106-0335

Ref	Part No.	Qty.	Description
1	106-0385	1	Seal Kit
②1:1		1	Piston Ring Kit
②1:2		1	O-Ring
②1:3		1	Gasket-Cover, Front
②1:4		1	O-Ring
②1:5		1	Ring-Load, Temper
②1:6		2	O-Ring
②1:7		2	Bearing
②1:8		1	Seal-Lip
②1:9		1	O-Ring
②1:10		1	O-Ring
②1:11		1	Seal-Filter Adapter, Suction
②1:12		1	Gasket-Cover, Servo
②1:13		1	Gasket-Cover, Servo
②1:14		1	Ring-Backup
②1:15		1	O-Ring
②1:16		1	Ring-Backup
②1:17		1	Ring-Backup
2	69-3770	1	Shim
3	107-4351	1	Spring-Relief, Charge
4	69-3800	1	Valve
5	107-4380	1	Cprv Plug ASM
6	107-4352	1	Plug
7	94-9415	2	Plug ASM
②7:1		1	O-Ring
8	69-3370	1	Bearing-Needle
9	69-3230	1	Pin-Spring
10	107-4353	1	Screw
11	75-0460	1	Bearing-Ball
12	69-3200	2	Ring-Retaining
13	69-3170	2	Ring-Retaining
14	94-2878	2	Pin
15	69-3500	1	Bearing-Sleeve
16	69-3450	1	Pin
②17		1	Housing ASM
18	69-3540	1	Cover-Gerotor
19	92-1352	1	Plug
20	107-4354	1	Cover-Front
21	76-4590	6	Screw
22	69-3650	1	Piston-Servo
23	107-4355	1	Swashplate ASM
24	107-4356	1	Bearing-Journal
25	107-4357	1	Shaft-Pump
26	107-4358	1	Plate-Valve
27	69-3390	1	Gerotor ASM
28	69-3550	1	Pin
29	69-3430	1	Key-Woodruff
30	94-9414	1	Adapter-Suction
31	94-9413	3	Screw
32	94-9415	1	Plug ASM
②32:1		1	O-Ring
33	69-4040	1	Stop

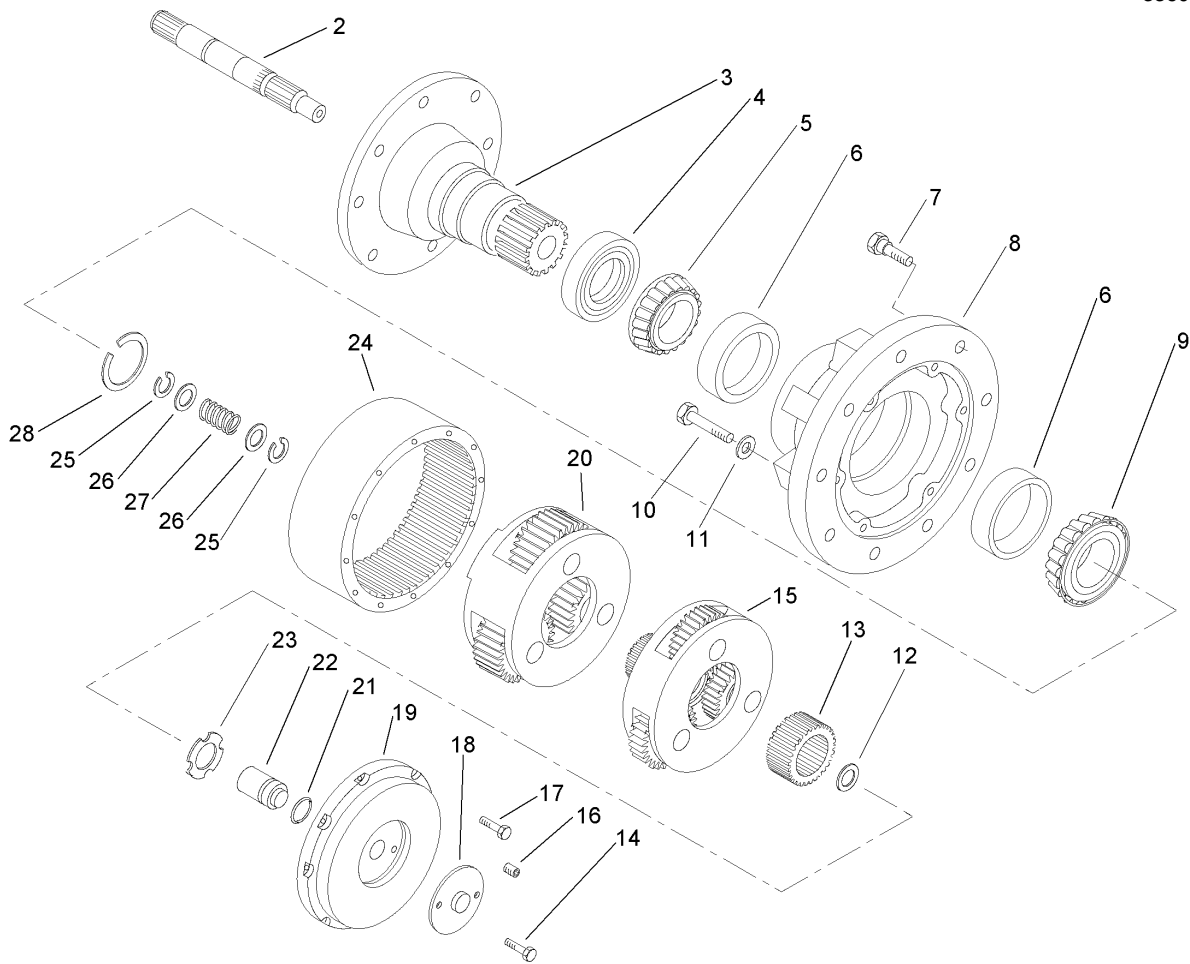
Ref	Part No.	Qty.	Description
34	69-3640	1	Cover-Servo
35	107-4359	1	Guide-Spring
36	69-3680	1	Stop
37	69-3670	1	Spring-Servo
38	107-4360	1	Screw
39	69-3580	1	Guide-Spring
40	69-3590	1	Ring-Retaining
41	69-3600	1	Nut-Hex
42	107-4361	1	Nut
43	107-4362	5	Screw
44	69-3140	1	Bracket
45	107-4363	1	Gasket-Cover
46	94-9415	1	Plug ASM
②46:1		1	O-Ring
47	94-9415	1	Plug ASM
②47:1		1	O-Ring
48	107-4364	1	Bypass Valve ASM
48:1	25-2630	1	Ring-Back Up
48:2	110-6498	1	O-Ring
49	69-3730	1	Relief Valve Kit
49:1	69-3750	1	O-Ring
②49:2		1	Plug
②49:3		1	Spring
50	95-7034	1	Switch-Neutral
51	107-4365	1	Cover-Mounting
52	107-4366	1	Gasket-Plate, Mounting
53	107-4367	1	Plate-Mounting
54	107-4368	1	Screw
55	107-4369	1	Gasket-Cover, Mounting
56	69-3860	2	Screw
57	107-4370	1	Plug-Expansion
58	107-4371	1	Spacer-Spring
59	69-3860	1	Screw
60	107-4372	1	Nut-Lock
61	69-3880	1	Spring-Return, Neutral
62	107-4373	1	Handle-Control
63	69-3890	1	Bracket-Return, Neutral
64	107-4374	1	Washer-Lock
65	107-4375	1	Spool Bracket ASM
66	69-3530	1	Orifice Plug ASM
67	107-4376	1	Sleeve ASM
68	75-0160	1	Plug-Pipe
69	69-3060	3	Screw
70	69-3410	1	Adapter-A, Flange
71	107-4377	1	Seal-A, Pad
72	107-4378	1	Cover
73	69-3400	2	Screw
74	107-4379	1	Cylinder Block Kit
②75		1	Piston Ring And O-Ring Kit
75:1	69-3560	1	O-Ring
75:2	69-3570	2	Ring-Piston



Front Wheel Assembly

Ref	Part No.	Qty.	Description
1	69-5940	1	Tube-HYD, LH
2	340-82	2	Adapter
2:1	237-42	1	O-Ring
2:2	237-21	1	O-Ring
3	340-91	2	Adapter
3:1	237-58	1	O-Ring
3:2	237-146	1	O-Ring
4	106-0211	2	HYD Hose ASM
5	92-1742	1	Tube ASM
6	340-9	1	Fitting-Straight
6:1	237-58	1	O-Ring
6:2	237-81	1	O-Ring
7	3272-10	4	Pin-Cotter
8	71-3880	2	Clevis
9	283-2	4	Pin-Clevis
10	3253-21	14	Washer-Lock
11	323-6	4	Screw-HH
12	71-3810	2	Coupling-Motor, HYD
13	32120-22	2	Ring-Snap, Internal
14	32120-84	2	Ring-Snap, External
15	302-39	2	Fitting-Plug
16	3253-8	16	Washer-Lock
17	327-22	16	Screw-HH
18	69-9790	2	Front Wheel ASM

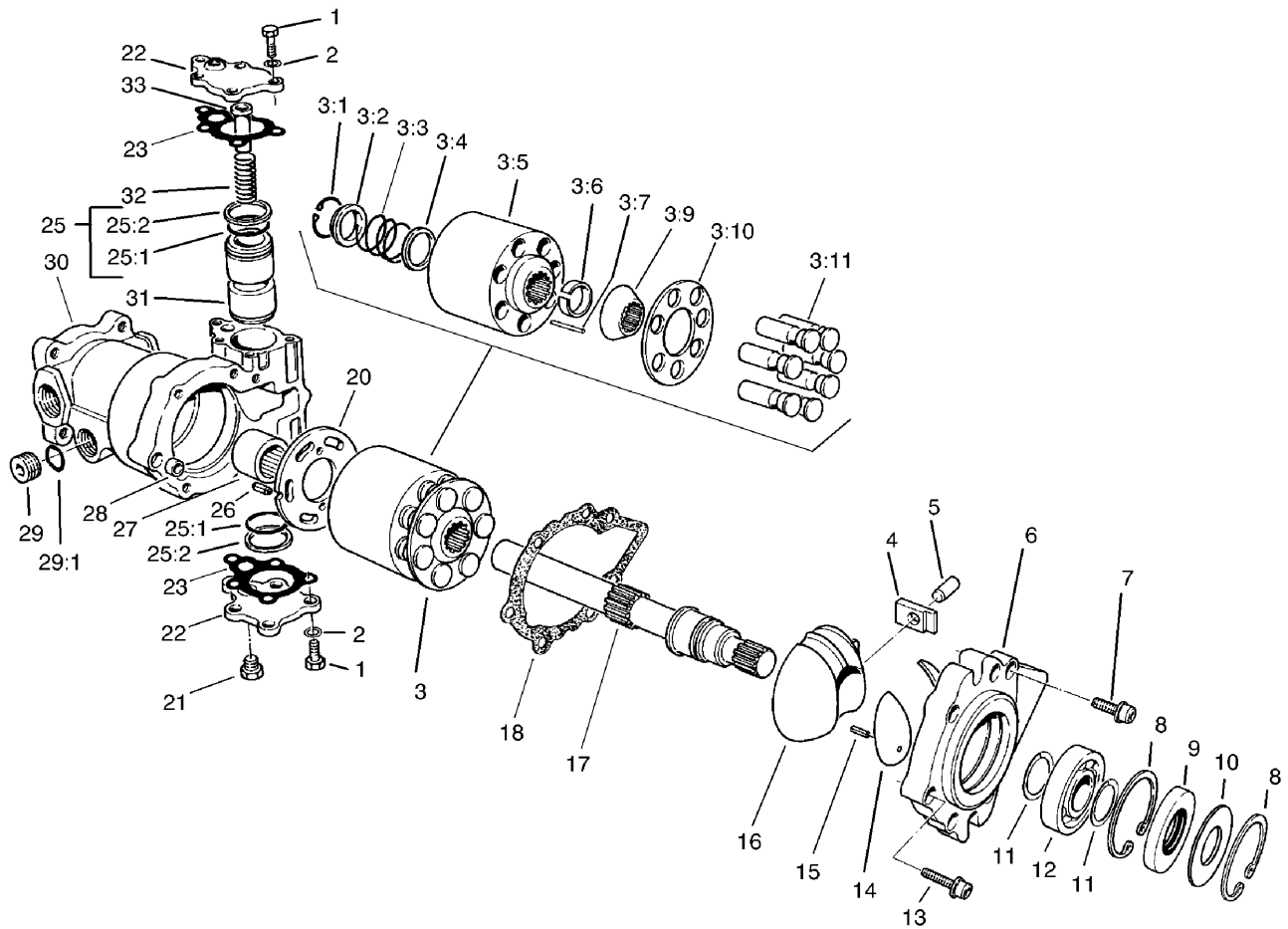
Ref	Part No.	Qty.	Description
18:1	69-9800	1	Tire (31X13.5-15) 8-Ply
18:2	58-5620	1	Tube
18:3	71-2470	1	Rim
19	72-4070	2	Decal-Danger
20	3253-7	22	Washer-Lock
21	3219-5	18	Nut-Hex
22	107-4338-03	2	Drive-Gear, Planetary
23	251-340	2	Bearing-Ball
24	253-156	2	Seal-Oil
25	323-6	10	Screw-HH
27	71-3990	2	Cap-Housing, Brake
28	71-0470	4	Middle Disc ASM
29	71-0460	2	Actuating Disc ASM
29:1	69-9970	4	Stud
29:2	69-9960	4	Link
29:3	69-9950	4	Spring-Extension
29:4	69-9990	4	Disc-Actuating
29:5	69-9980	6	Ball
29:6	69-9940	4	Nut-HJ
30	69-5930	1	Tube-HYD, RH
31	71-4010-03	2	Housing-Brake
32	253-157	6	Seal-U Cup
33	237-158	4	O-Ring
34	92-1741	1	Tube ASM



Planetary Gear Drive Assembly No. 107-4338-03

Ref	Part No.	Qty.	Description
2	107-4340	1	Shaft-Input
3	69-1740	1	Spindle
4	60-3830	1	Seal
5	60-3840	1	Cone
6	60-3850	2	Cup
7	107-4341	9	Bolt-Wheel
8	107-4342	1	Hub
9	60-3880	1	Cone
10	60-3890	6	Bolt
11	60-3910	6	Washer
12	60-3980	1	Washer
13	60-3970	1	Gear
14	322-1	2	Screw-HH
15	60-3960	1	Primary Carrier ASM
16	60-4040	1	Plug
17	60-4030	8	Bolt
18	60-4060	1	Cover
19	107-4345	1	Cover
20	60-4000	1	Secondary Carrier ASM
21	107-4346	1	O-Ring
22	107-4347	1	Plunger
23	60-3990	1	Washer
24	60-3900	1	Gear
25	60-3930	2	Ring

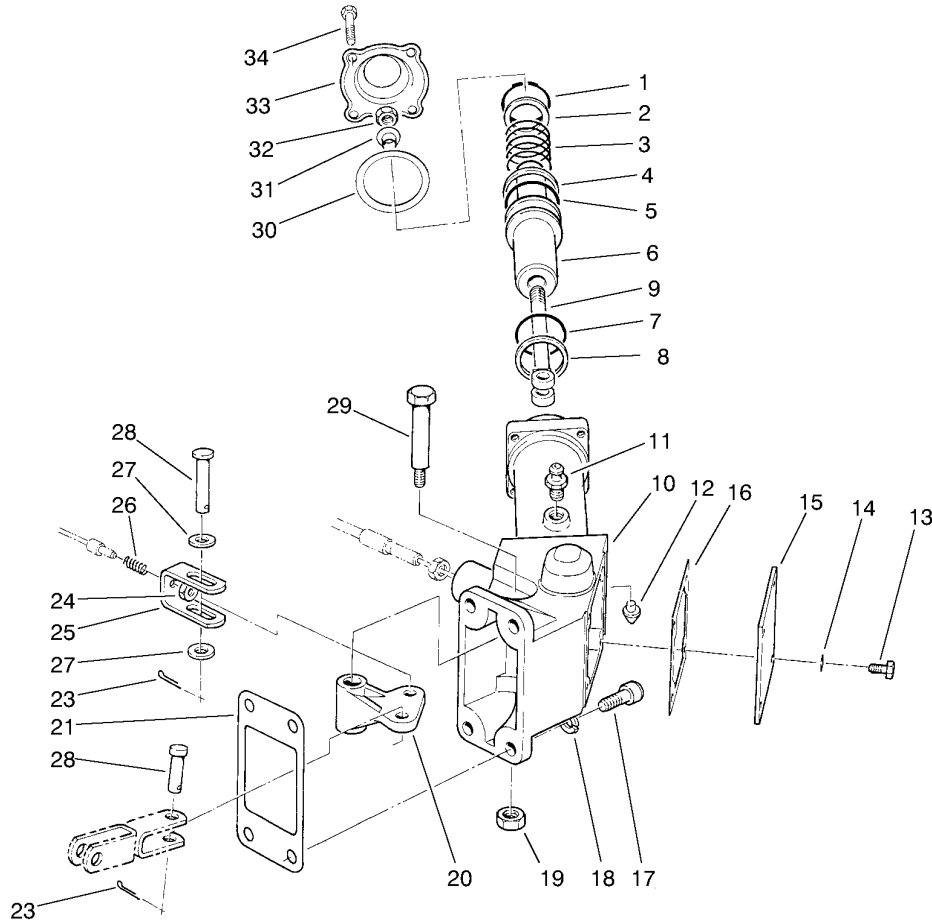
Ref	Part No.	Qty.	Description
26	60-3940	2	Washer
27	60-3950	1	Spring
28	62-6450	1	Retaining Ring Kit
●99	62-6460	1	Sealant-R



Motor Assembly No. 69-3050

Ref	Part No.	Qty.	Description
1	69-3150	10	Screw
2	69-3070	10	Washer
3	69-3910	1	Cylinder Block Kit
●3:1		1	Ring-Retaining
●3:2		1	Washer
●3:3		1	Spring-Compression
●3:4		1	Washer
●3:5		1	Block-Cylinder
●3:6		1	Retainer
●3:7		3	Pin-Down, Hold
●3:9		1	Guide-Retainer
●3:10		1	Guide-Slipper
●3:11		7	Piston ASM
4	69-3500	1	Bearing-Sleeve
5	69-3510	1	Pin
6	107-4354	1	Cover-Front
7	76-4590	6	Screw
8	69-3200	2	Ring-Retaining
9	69-3190	1	Seal-Lip
10	95-4400	1	Washer-Backup
11	69-3170	2	Ring-Retaining
12	69-3210	1	Bearing-Ball
13	69-3960	1	Screw
14	69-3970	2	Bearing-Journal

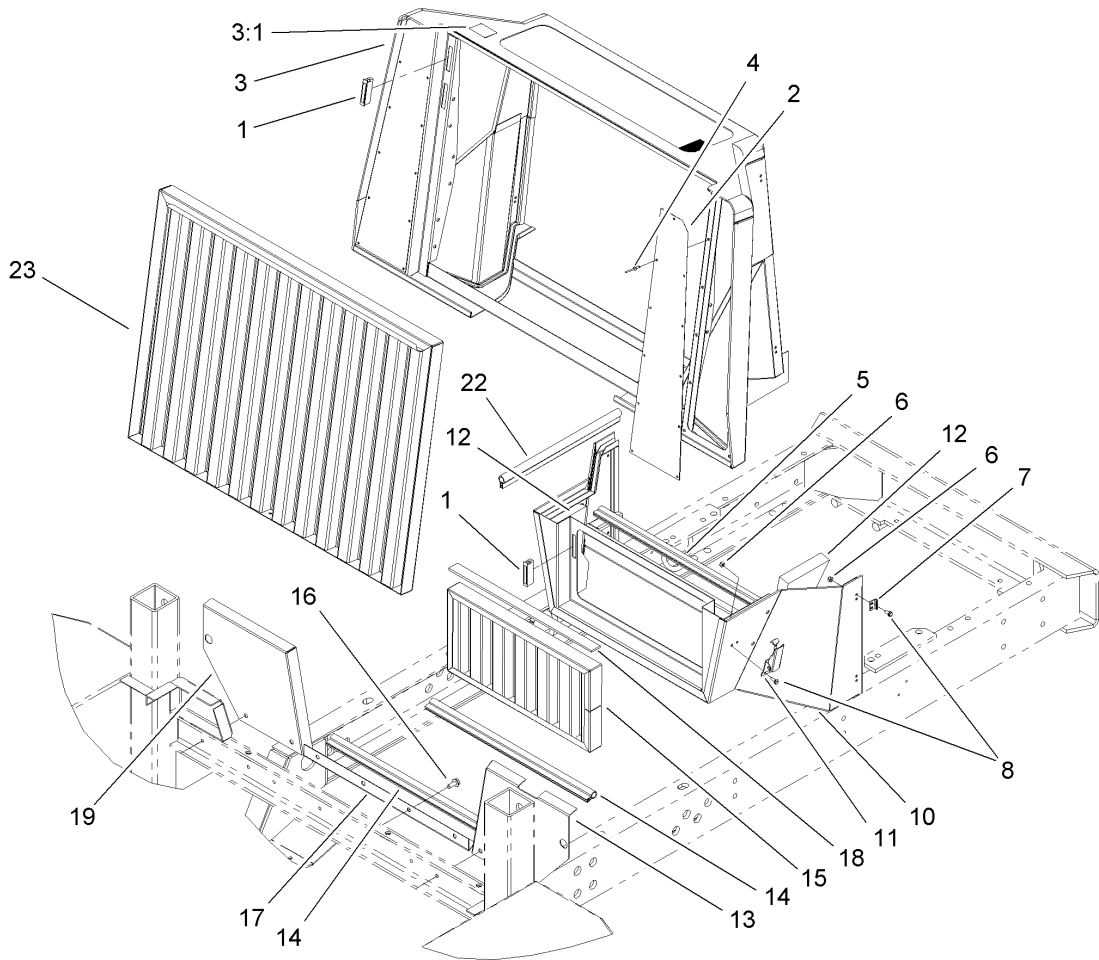
Ref	Part No.	Qty.	Description
15	69-3520	2	Pin
16	69-3980	1	Swashplate
17	69-3950	1	Shaft-Motor
18	76-4600	1	Gasket-Cover, Front
20	69-3990	1	Plate-Valve, Motor
21	69-3940	1	Plug-Threaded, Straight
22	69-3720	2	Cover-Servo
23	69-3710	2	Gasket-Servo
●25		1	Piston Ring And O-Ring Kit
25:1	69-3560	1	O-Ring
25:2	69-3570	2	Ring-Piston
26	69-3450	1	Pin
27	69-3370	1	Bearing-Needle
28	69-3230	1	Pin-Spring
29	69-3130	1	Plug
●29:1		1	Seal-Dust
●30		1	Housing
31	69-4020	1	Piston-Servo
32	69-4030	1	Spring-Servo
33	69-4040	1	Stop



Wheel Brake Assembly

Ref	Part No.	Qty.	Description
1	32151-100	2	Ring-Retaining
2	69-8910	2	Washer
3	82-7850	2	Spring-Compression
4	354-104	2	Ring-Back Up
5	237-175	2	O-Ring
6	82-7840	2	Piston-Brake
7	237-174	2	O-Ring
8	354-105	2	Ring-Back Up
9	21-2070-03	2	End-Yoke
10	105-0605	1	Housing-LH
10	105-0606	1	Housing-RH
11	82-7830	2	Screw-Bleeder, Brake
12	82-7820	2	Seat-Tube, Brake
13	321-2	8	Screw-HH
14	3253-3	8	Washer-Lock
15	71-3850-03	2	Cover-Actuator, Brake
16	71-3870	2	Gasket
17	3274-7	8	Screw-HSH
18	3253-21	8	Washer-Lock
19	32128-25	2	Nut-HF
20	71-3830-03	2	Bellcrank-Brake
21	71-3900	2	Gasket
23	3272-10	2	Pin-Cotter
24	3296-3	2	Nut-Lock

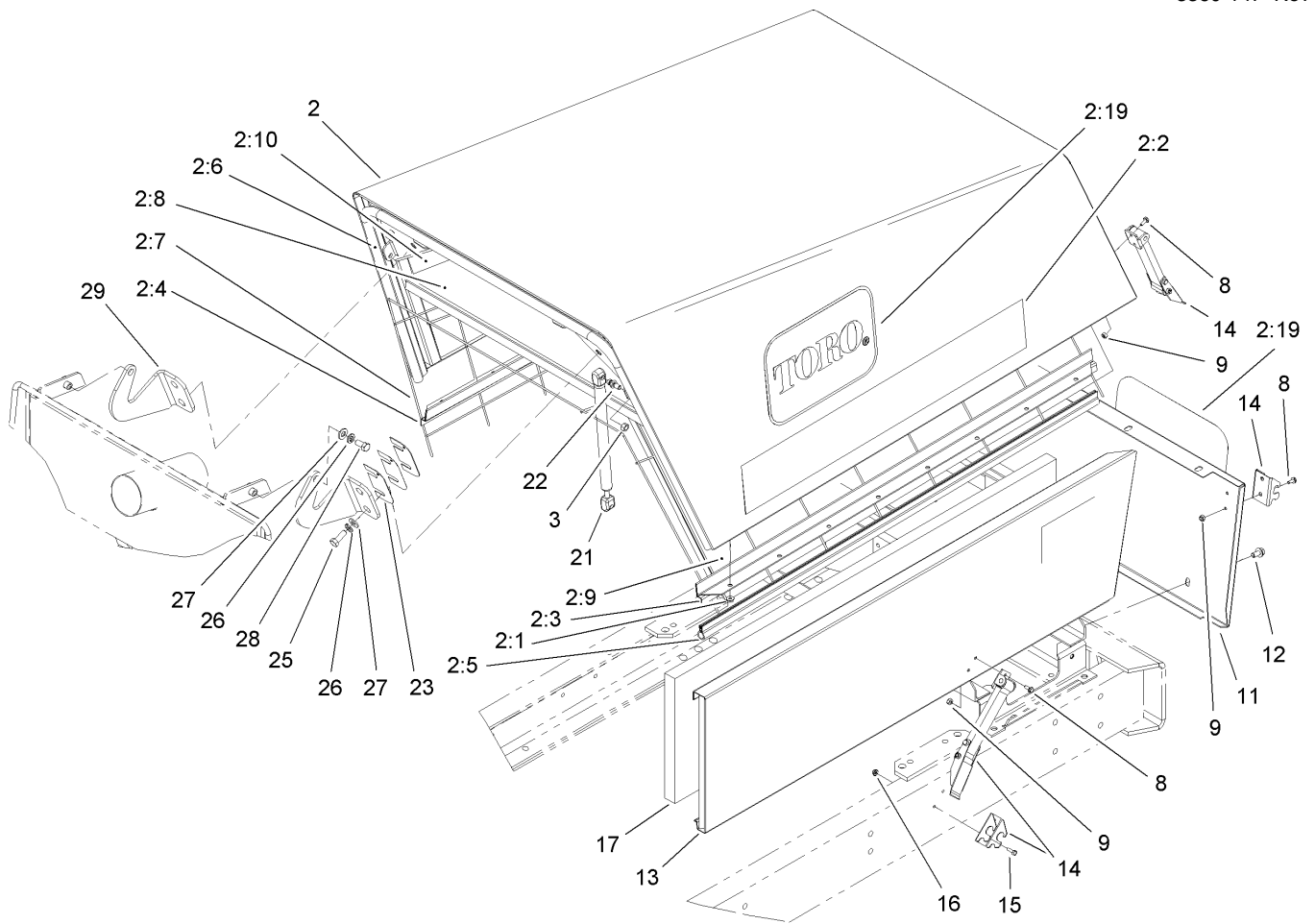
Ref	Part No.	Qty.	Description
25	71-3860	2	Clevis
26	69-0030	2	Spring-Compression
27	3256-24	4	Washer-Flat
28	283-15	2	Pin-Clevis
29	12-8900	2	Bolt-Shoulder, HH
30	93-7417	2	Gasket
31	71-3910	2	Collar
32	3296-59	2	Nut-Lock, NI
33	93-7418	2	Cap-Actuator, Brake
34	321-6	8	Screw-HH



Cowl and Screen Assembly

Ref	Part No.	Qty.	Description
1	58-4250	6	Catch-Magnetic
2	69-9650-03	2	Screen
3	110-3269	1	Cowl ASM
3:1	83-9150	1	Decal-Fluid, Starting
4	3269-15	22	Rivet
5	69-9722	1	Trim-Seal
6	3296-2	20	Nut-Lock
7	69-3030	8	Strike-Latch
8	3290-321	28	Screw-HWH
10	69-8690-03	1	Support-Grille
11	105-9296	2	Latch-Draw
12	71-0310	1	Foam-Front Cowl, Lower (RH)
12	71-0300	1	Foam-Front Cowl, Lower (LH)
13	75-9460-03	1	Bracket-Seal, LH
14	69-9721	3	Trim-Seal
15	69-7150-03	1	Lower Grill ASM
16	32144-11	8	Screw-HWHTF
17	75-9480-03	1	Bracket-Seal, Bottom
18	69-0040	1	Strip-Sealing, Grille
19	75-9470-03	1	Bracket-Seal, RH
22	69-9720	2	Trim-Seal
23	69-7120-03	1	Upper Grill ASM

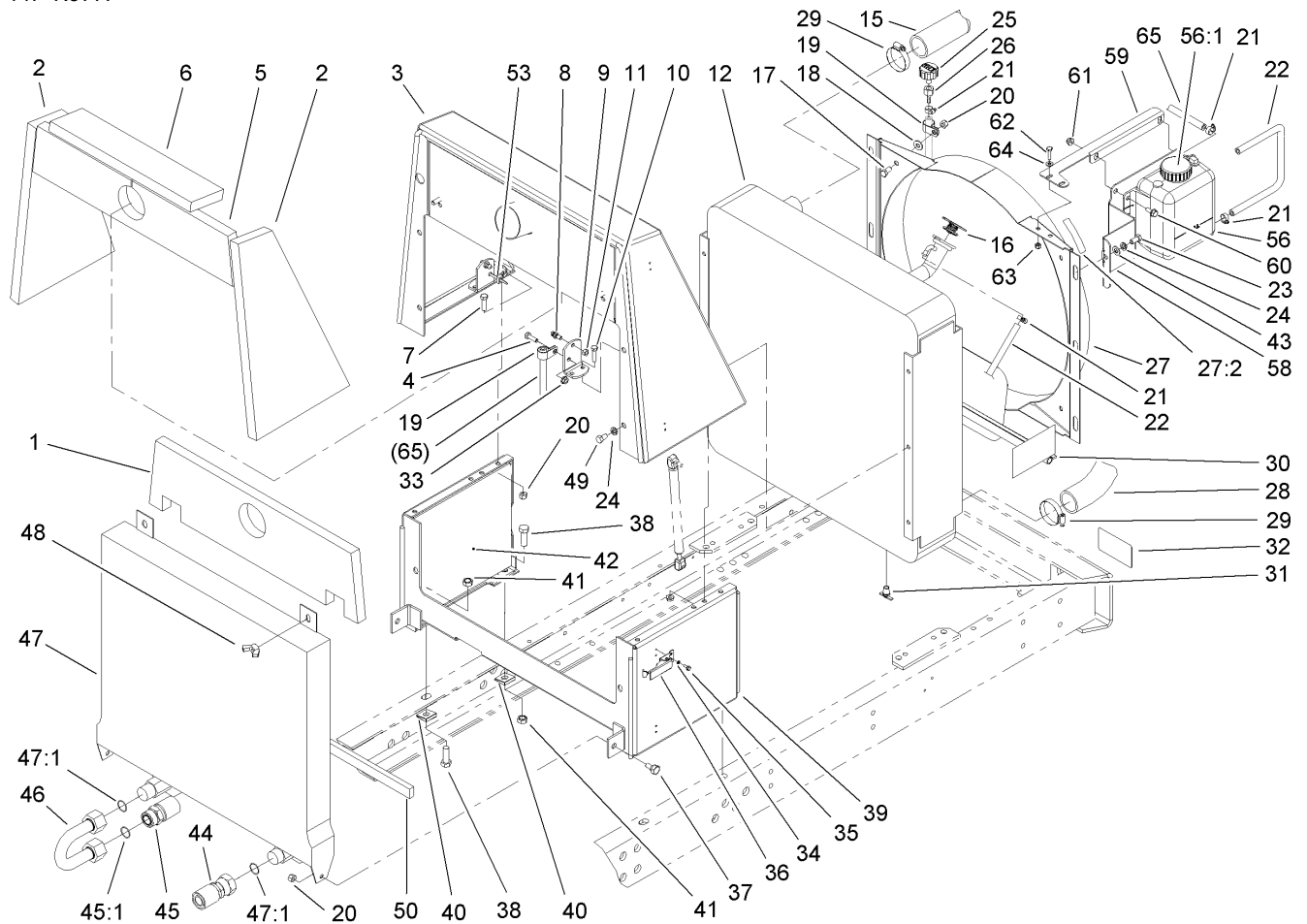
--	--	--	--



Hood Assembly

Ref	Part No.	Qty.	Description
2	92-1772	1	Hood ASM
2:1	32149-2	16	Nut-Keps
2:2	106-0269	2	Decal
2:3	69-8230-03	1	Trim Bracket ASM
2:4	69-8250-03	1	Bracket-Trim, Bottom
2:5	69-9723	2	Trim-Seal
2:6	69-9724	1	Trim-Seal
2:7	71-0060-03	1	Support
2:8	71-0250	1	Foam-Hood, Top
2:9	71-0260	1	Foam-Hood, LH
2:10	71-0270	1	Foam-Hood, RH
2:19	66-1210	2	Decal
3	32152-1	2	Nut-Lock, Cone
8	3290-321	12	Screw-HWH
9	3296-2	12	Nut-Lock
11	69-9520-03	1	Panel-Rear
12	3234-14	6	Screw-HHF
13	69-1380-03	1	Panel-RH
13	69-1390-03	1	Panel-LH
14	69-3010	4	Latch
15	3290-134	4	Screw
16	32149-7	4	Nut-Keps
17	71-0400	2	Foam-Panel, Side
21	88-6760	2	Spring-Gas

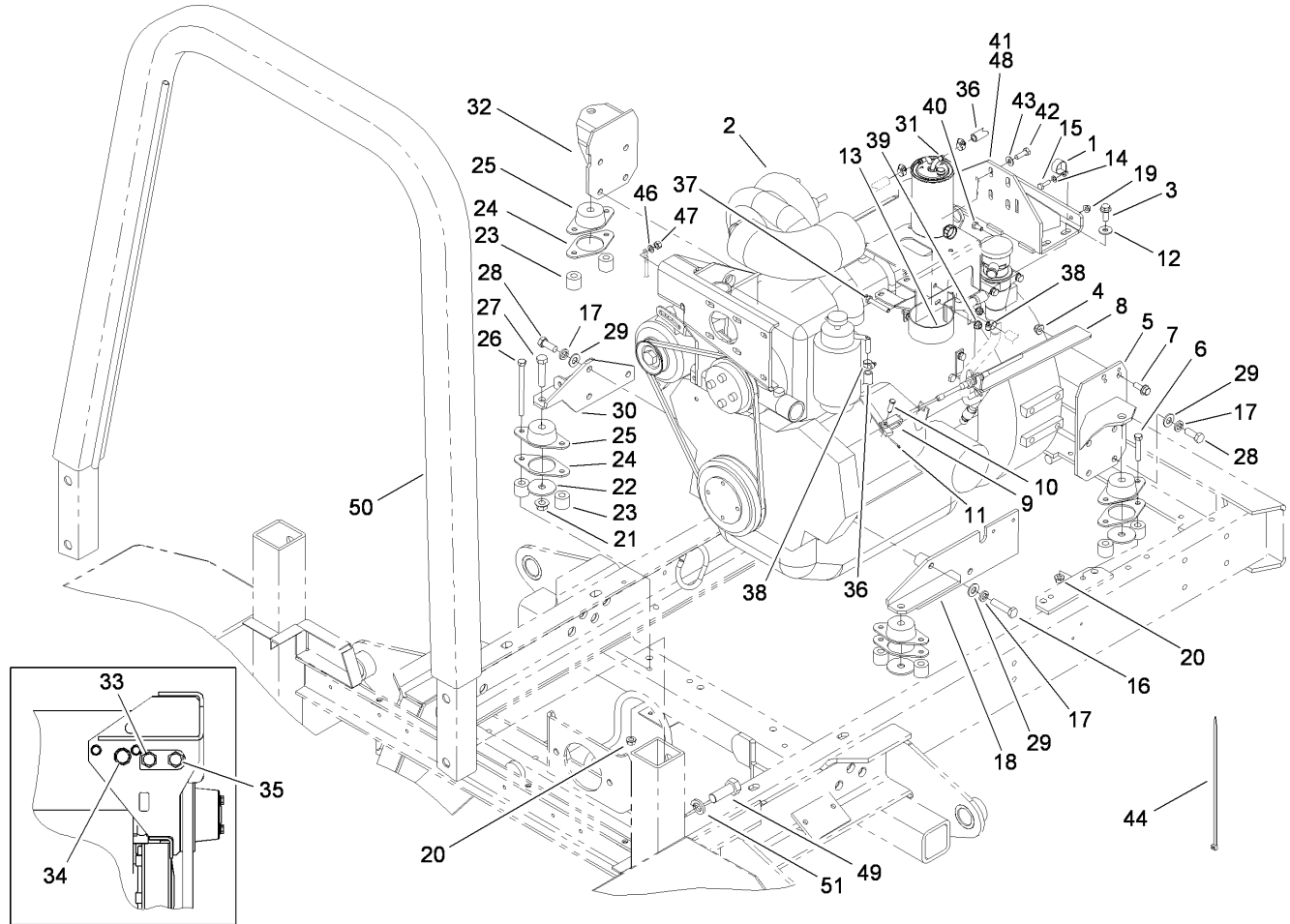
Ref	Part No.	Qty.	Description
22	88-6770	2	Stud-Ball
23	69-8500	8	Shim-Pivot, Hood
25	323-6	4	Screw-HH
26	3253-21	6	Washer-Lock
27	3256-24	6	Washer-Flat
28	323-4	2	Screw-HH
29	98-3026-03	2	Arm-Pivot, Hood



Radiator and Oil Cooler Assembly

Ref	Part No.	Qty.	Description
1	71-0380	1	Foam-Cowl, Right Rear
2	71-0350	1	Foam-Support, Radiator (RH)
2	71-0340	1	Foam-Support, Radiator (LH)
3	69-8590-03	1	Top Radiator Support ASM
4	322-5	1	Screw-HH
5	71-0390	1	Foam-Support, Radiator (Rear)
6	71-0360	1	Foam-Support, Radiator (Top)
7	323-7	4	Screw-HH
8	88-6770	2	Stud-Ball
9	98-7349-03	2	Bracket-Cylinder
10	322-6	4	Screw-HH
11	32152-1	2	Nut-Lock, Cone
12	98-7311	1	Radiator
15	98-7320	1	Hose-Upper
16	105-0599	1	Radiator Cap ASM
17	323-4	1	Screw-HH
18	3256-56	2	Washer-Flat
19	2412-41	2	Clamp
20	32152-2	7	Nut-Lock, Cone
21	2412-108	4	Clamp-Worm
22	110-6186	1	Hose-Fuel
23	323-4	6	Screw-HH
24	3253-21	12	Washer-Lock
25	68-6150	1	Breather

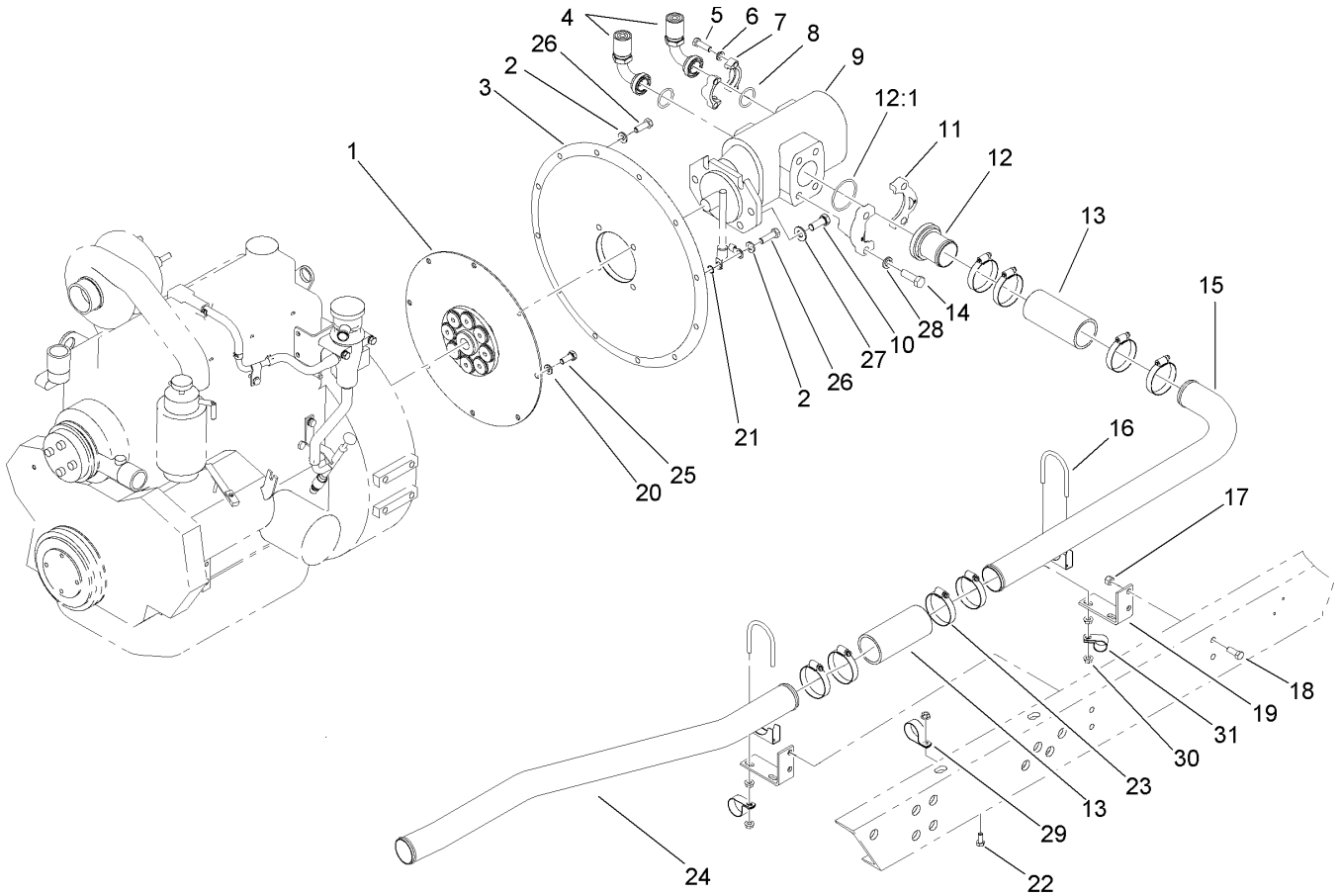
Ref	Part No.	Qty.	Description
26	354-95	1	Fitting-Straight
27	106-0041	1	Shroud ASM
27:2	93-6681	4	Decal-Warning, Fan
28	95-6456	1	Hose-Lower
29	2412-92	4	Clamp-Hose
30	105-0586	2	Strip-Sealing
31	304-46	1	Draincock
32	72-4080	1	Decal-Danger
33	32128-20	5	Nut-HF
34	3253-2	16	Washer-Lock
35	3290-321	16	Screw-HWH
36	105-9296	8	Latch-Draw
37	46-3380	2	Bolt-Shoulder
38	325-6	4	Screw-HH
39	69-7100-03	1	Support-Radiator, Lower
40	3290-216	4	Washer
41	32153-5	4	Nut-Lock, Side
42	71-0370	2	Foam-Support, Radiator (Lower)
43	3256-24	6	Washer-Flat
44	69-5620	1	Hose ASM
45	69-8450	1	HYD Hose ASM
45:1	340-65	1	O-Ring
46	69-5900	1	Tube ASM
47	69-1670	1	Oil Cooler ASM



Engine Mounting and Roll-Over Protection System Assembly

Ref	Part No.	Qty.	Description
1	2412-106	2	Clamp-R
2	106-0300	1	Engine ASM
3	108-1531	4	Screw-HHF
4	104-8301	2	Nut-Flange, NI
5	106-0383-03	1	Mount-Motor, Rear (LH)
6	323-10	4	Screw-HH
7	3234-42	2	Screw-HHF
8	106-0305-03	1	Bracket-Cable, Throttle
9	106-0306	1	Clevis
10	283-61	1	Pin-Yoke
11	3272-6	1	Pin-Cotter
12	80-6990	4	Washer-Hardened
13	110-8807	1	Bracket-Filter, Fuel
14	3256-60	2	Washer-Flat
15	321-5	2	Screw-HH
16	33116-050	3	Screw-HH
17	3253-7	14	Washer-Lock
18	95-6470-03	1	LH Front Mount ASM
19	32128-33	2	Nut-HF
20	32128-21	8	Nut-HF
21	32128-23	4	Nut-HF
22	98-3023	4	Washer
23	95-6486	8	Spacer-Mount
24	98-0830	4	Retainer-Mount

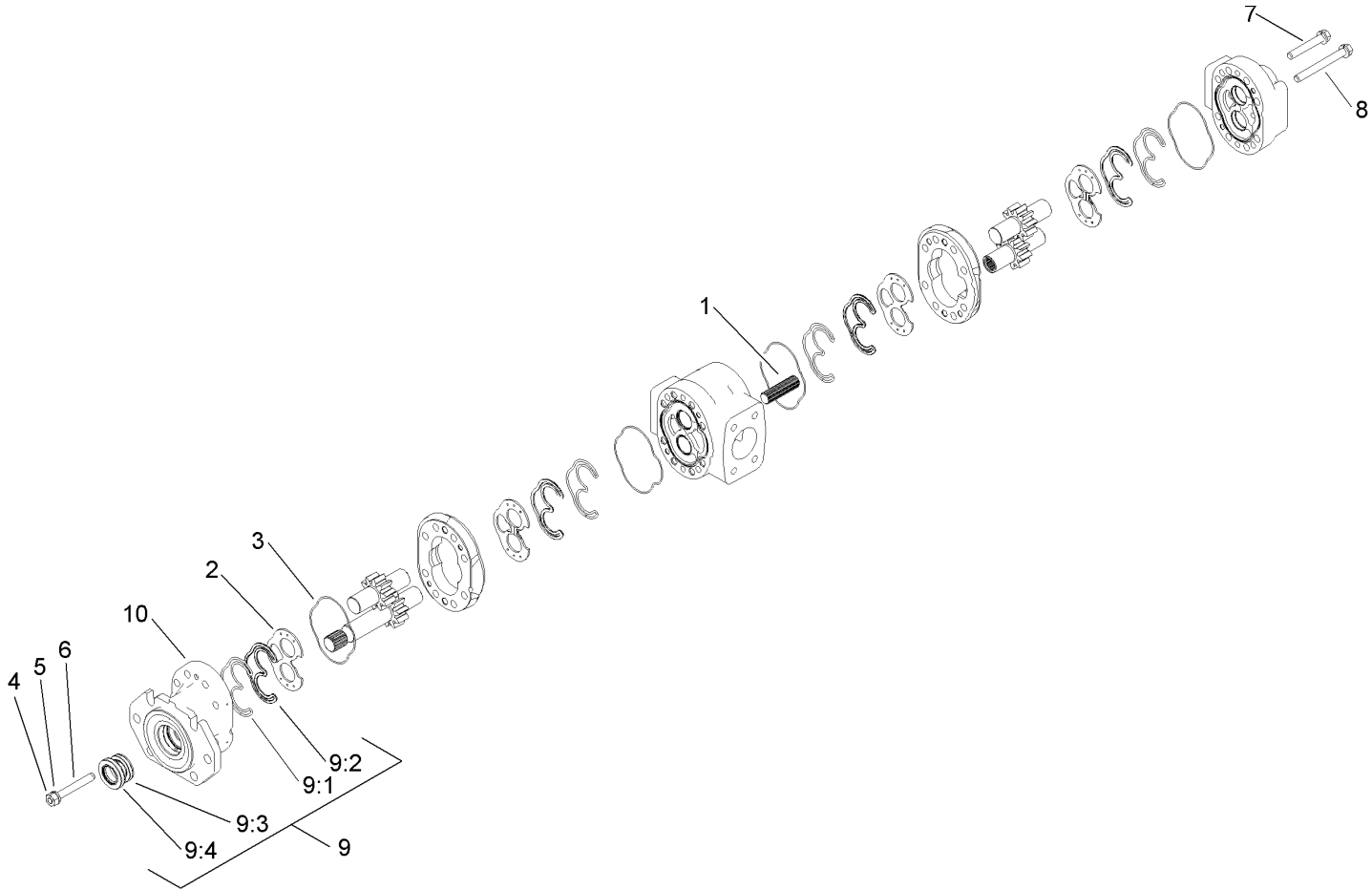
Ref	Part No.	Qty.	Description
25	98-3024	4	Mount-Engine
26	323-38	4	Screw-HH
27	325-9	4	Screw-HH
28	33116-030	11	Screw-HH
29	3256-26	14	Washer-Flat
30	95-6467-03	1	RH Front Mount ASM
31	112-9188	1	Element-Filter, Fuel/Water
32	95-6465-03	1	RH Rear Mount ASM
33	51-5070	1	Switch-Thermal
34	67-4510	1	Guage-Temp, Water
35	93-3526	1	Switch
36	110-6187	1	Hose-Fuel
37	322-10	1	Screw-HH
38	2412-108	4	Clamp-Worm
39	104-8300	2	Nut-Flange, NI
40	322-2	1	Screw-HH
41	106-0382-03	1	Support-Bellhousing
42	33114-025	4	Screw-HH
43	87-8640	4	Washer-Flat
44	3290-378	7	Tie-Cable
46	3255-8	1	Washer-Lock
47	33014-00	1	Nut-Hex
48	99-1809	1	Gasket-Head, Rear
49	328-24	4	Screw-HH



Hydraulic Pump Plate Assembly

Ref	Part No.	Qty.	Description
1	106-0363	1	Coupling-Flywheel
2	100-4852	12	Washer-Hardened
3	106-0364	1	Plate-Adapter, Pump
4	98-0655	2	HYD Hose ASM
5	323-7	8	Screw-HH
6	3253-21	8	Washer-Lock
7	353-992	4	Flange-Split
8	340-135	2	O-Ring
9	107-1181-03	1	Pump-Gear
10	106-0378	4	Screw-HH
11	354-42	2	Flange-Split
12	74-2270	1	Fitting-Suction
12:1	237-116	1	O-Ring
13	69-5640	2	Hose-Return
14	325-6	4	Screw-HH
15	99-4969	1	Tube-Suction
16	20-4840	2	Clamp-Muffler
17	32152-2	4	Nut-Lock, Cone
18	323-6	4	Screw-HH
19	69-9220-03	2	Bracket-Tube, Suction
20	107-1413	8	Washer-Hardened
21	3254-20	1	Washer-Lock, Int
22	322-3	1	Screw-HH
23	2412-42	8	Clamp-Hose

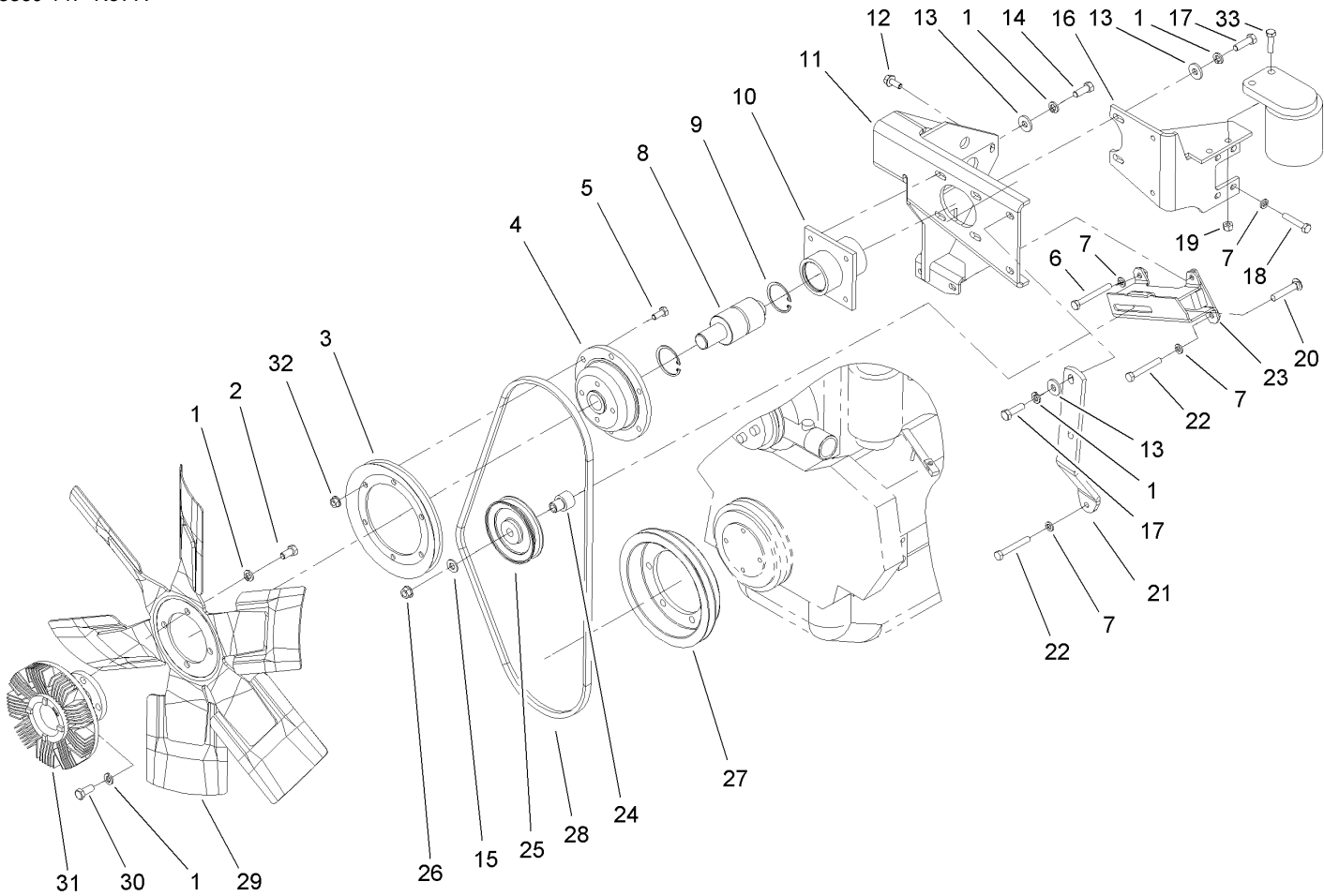
Ref	Part No.	Qty.	Description
24	99-4968	1	Tube-Suction
25	33115-025	8	Screw-HH
26	33115-035	12	Screw-HH
27	87-7270	4	Washer-Thrust
28	3253-7	4	Washer-Lock
29	2412-74	2	R-Clamp
30	32128-20	9	Nut-HF
31	2412-41	1	Clamp



Gear Pump Assembly No. 107-1181-03

Ref	Part No.	Qty.	Description
1	107-1193	1	Coupling-Shaft
2	69-2070	4	Plate-Flex
3	86-6080	4	O-Ring
4	59-7580	8	Nut
5	59-7590	16	Washer-Lock
6	59-7970	8	Stud
7	107-1195	4	Screw-HH
8	324-27	4	Screw-HH
9	107-1194	1	Seal Kit
9:1	59-7990	4	Seal
9:2	59-8470	4	Retainer
9:3	59-8590	1	Seal
9:4	107-1192	1	Seal-Shaft
10	69-2060	1	Shaft End Cover ASM

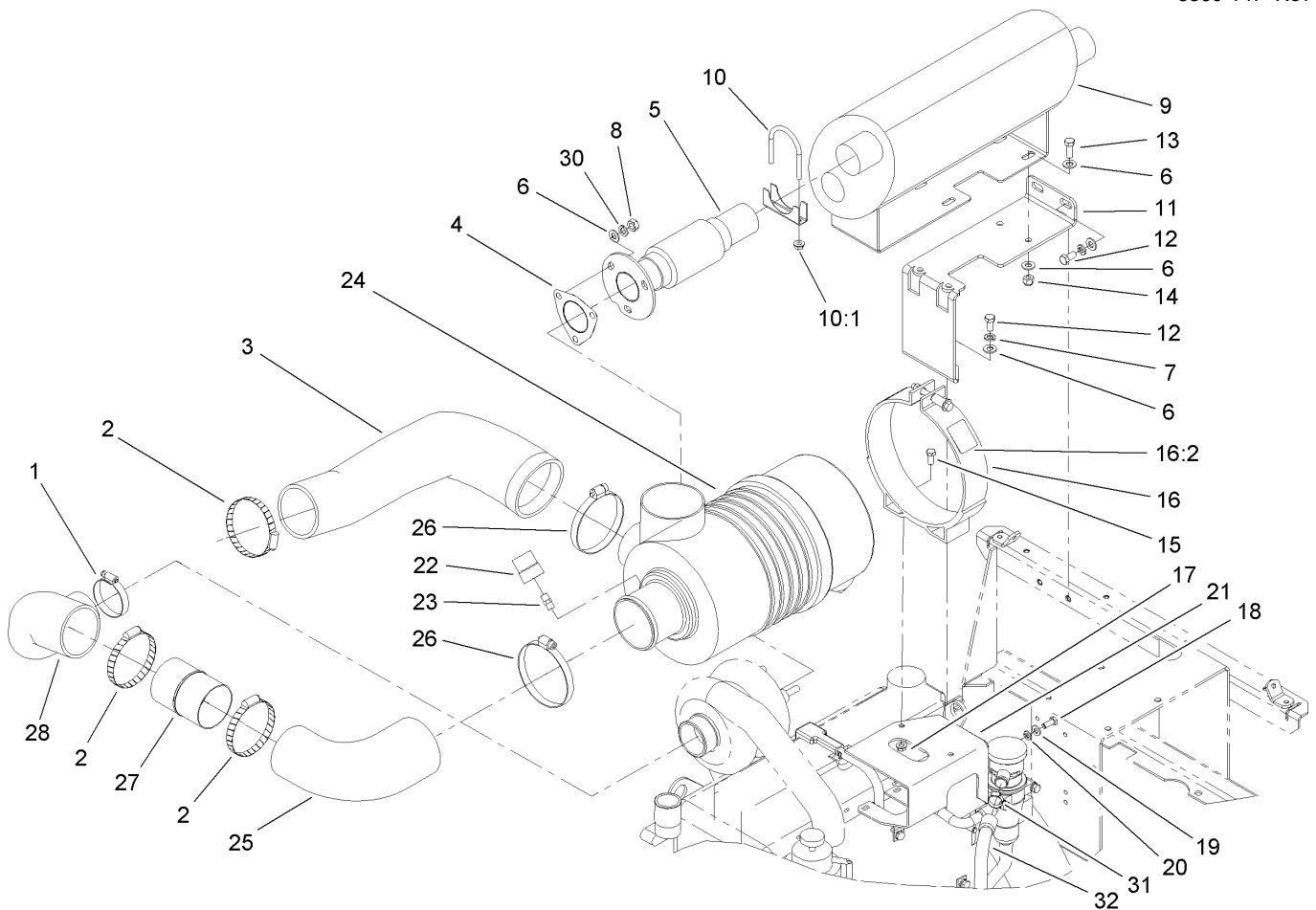
--	--	--	--



Fan Mount Assembly

Ref	Part No.	Qty.	Description
1	3253-21	14	Washer-Lock
2	323-4	4	Screw-HH
3	96-1267-03	1	Pulley-Fan
4	98-3008-03	1	Hub-Fan
5	322-3	6	Screw-HH
6	33114-070	1	Screw-HH
7	3253-4	9	Washer-Lock
8	98-0831	1	Bearing-Fan
9	32151-75	2	Ring-Retaining
10	95-6495-03	1	Housing-Bearing
11	105-0585-03	1	Support Fan ASM
12	33104-020	2	Screw-HHF
13	5-0838	6	Washer
14	323-6	2	Screw-HH
15	3256-24	1	Washer-Flat
16	106-0308-03	1	Bracket ASM
17	323-7	4	Screw-HH
18	33114-045	4	Screw-HH
19	3296-29	2	Nut-Lock, NI
20	3231-6	1	Screw-CARR
21	98-3013-03	1	Support-Fan
22	33114-060	4	Screw-HH
23	106-0375-03	1	Bracket-Idler
24	99-4419	1	Spacer-Idler

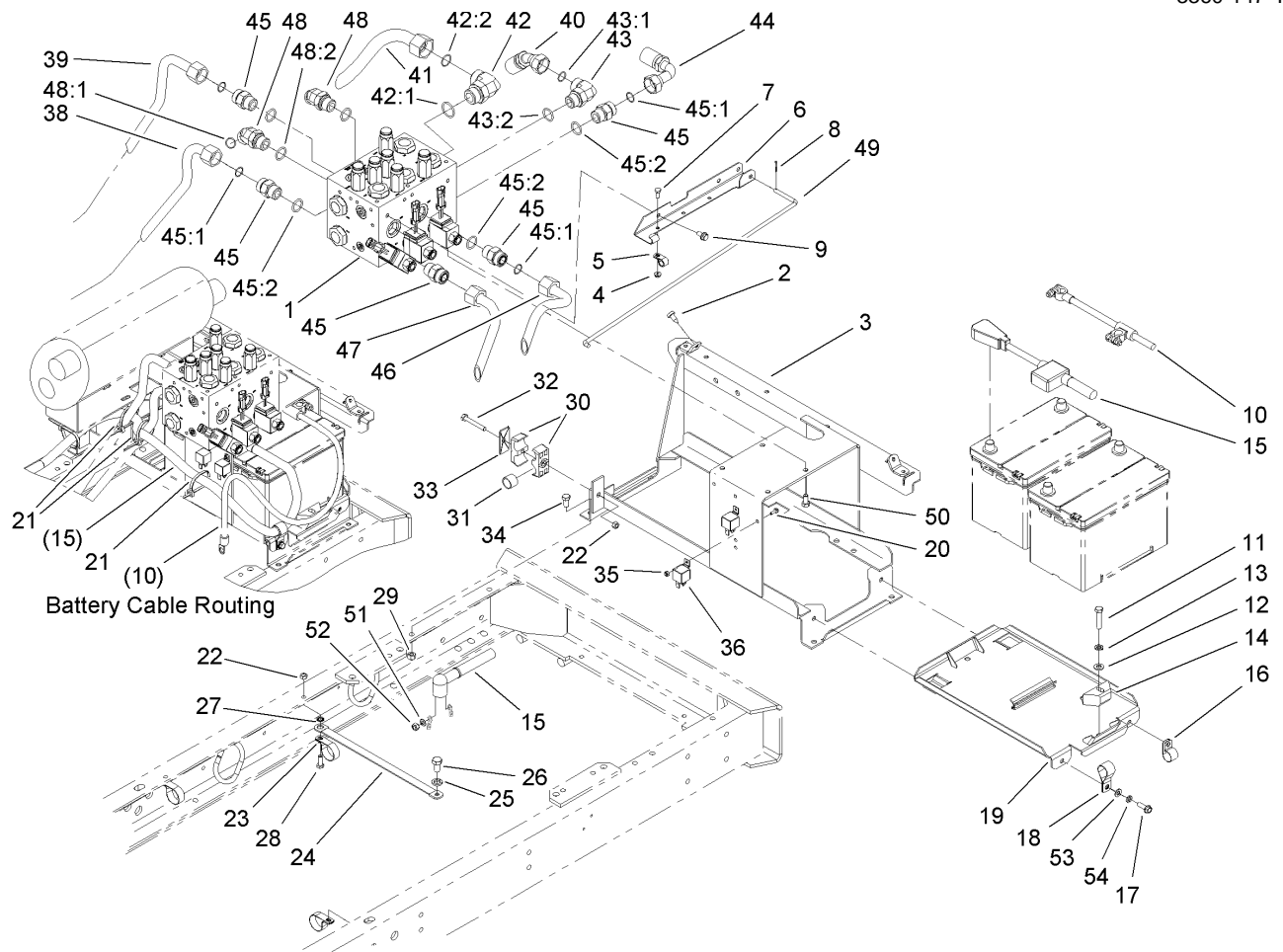
Ref	Part No.	Qty.	Description
25	108-1509-03	1	Pulley-Idler
26	32128-21	1	Nut-HF
27	95-6477	1	Pulley-Drive, Fan
28	98-9008	1	V-Belt
29	98-0809	1	Fan
30	323-5	4	Screw-HH
31	98-7321	1	Clutch-Fan, Modulating
32	32128-25	6	Nut-HF
33	322-6	2	Screw-HH



Muffler and Air Cleaner Assembly

Ref	Part No.	Qty.	Description
1	2412-42	1	Clamp-Hose
2	2412-110	3	Clamp-Hose
3	95-6459	1	Hose-Inlet, Air
4	99-2277	1	Gasket
5	105-0560	1	Exhaust Tube ASM
6	3256-24	11	Washer-Flat
7	3253-21	4	Washer-Lock
8	69-9710	3	Nut-Hex
9	105-0578	1	Muffler
10	20-4840	1	Clamp-Muffler
10:1	3217-6	2	Nut-Hex
11	105-0579-03	1	Mount-Frame
12	323-4	4	Screw-HH
13	323-6	4	Screw-HH
14	3296-39	4	Nut-Lock, NI
15	322-3	2	Screw-HH
16	107-1143	1	Band-Cleaner, Air
16:2	83-9150	2	Decal-Fluid, Starting
17	32128-25	4	Nut-HF
18	33114-020	4	Screw-HH
19	3256-23	4	Washer-Flat
20	3253-4	4	Washer-Lock
21	95-6462-03	1	Bracket-Cleaner, Air
22	69-1940	1	Indicator-Electrical

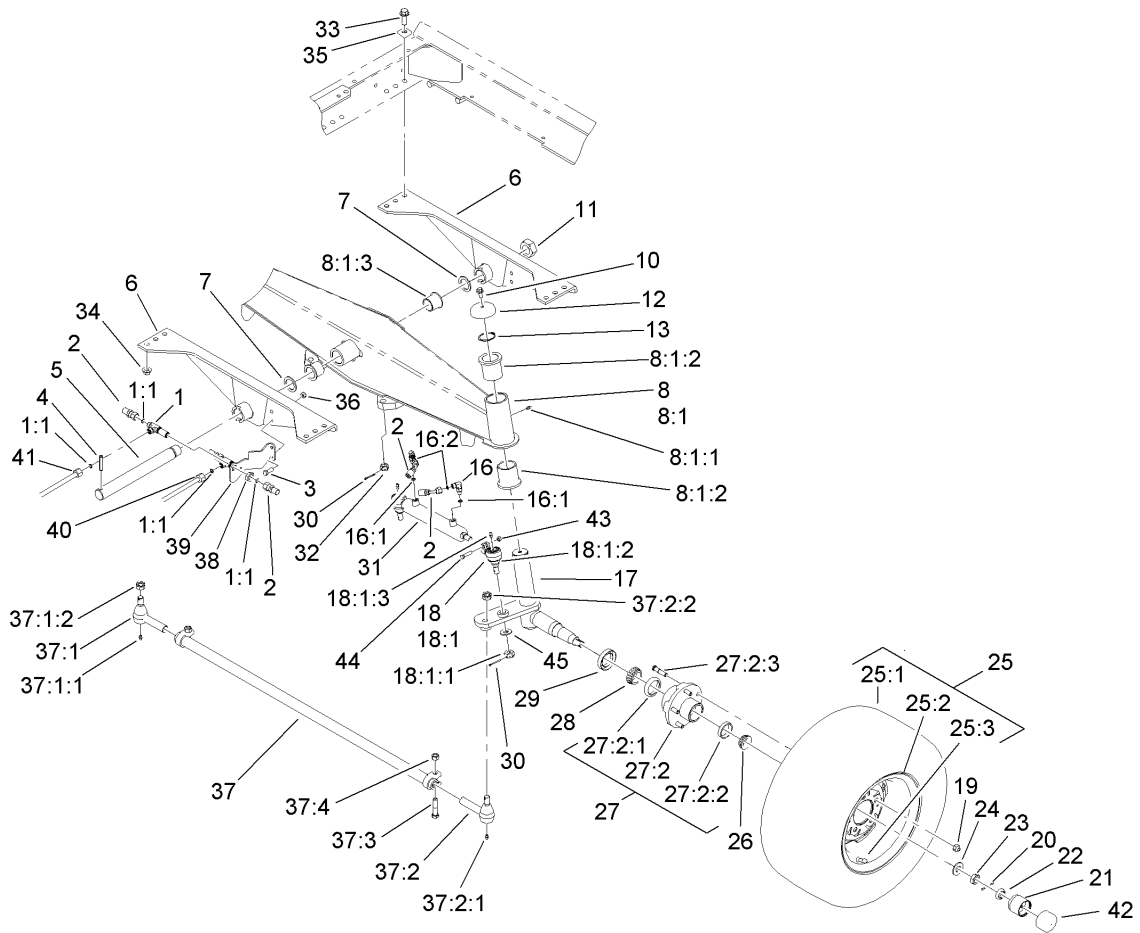
Ref	Part No.	Qty.	Description
23	94-1416	1	Indicator Adapter ASM
24	98-0800	1	Air Cleaner ASM
25	95-6457	1	Hose-Outlet, Air
26	98-7347	2	Clamp-Hose
27	95-6461	1	Tube-Intake
28	95-6458	1	Hose-Outlet, Air
30	42-9600	3	Washer-Lock, Spring
31	2412-141	1	Clamp-Drive, Worm
32	108-8089	1	Hose-Vent, Formed



Rear Manifold and Battery Assembly

Ref	Part No.	Qty.	Description
1	95-5908	1	Manifold-Control, Deck
2	237-37	4	Bumper-Rubber
3	69-8290-03	1	Battery Base ASM
4	32149-2	3	Nut-Keps
5	2412-73	3	Clamp-R
6	69-9350-03	1	Support-Prop, Hood
7	321-3	3	Screw-HH
8	3272-6	1	Pin-Cotter
9	3234-14	2	Screw-HHF
10	95-1839	1	Cable-Negative
11	323-9	2	Screw-HH
12	3256-24	2	Washer-Flat
13	3253-21	2	Washer-Lock
14	66-2490	2	Retainer-Battery
15	98-7308	1	Positive Cable ASM
16	2412-41	1	Clamp
17	322-5	2	Screw-HH
18	98-3883	1	Clamp-Wire
19	80-0160-03	1	Battery Tray ASM
20	32105-2	2	Screw-SHWH
21	3290-378	3	Tie-Cable
22	32152-1	4	Nut-Lock, Cone
23	2412-74	3	R-Clamp
24	18-2770	1	Cable-Ground

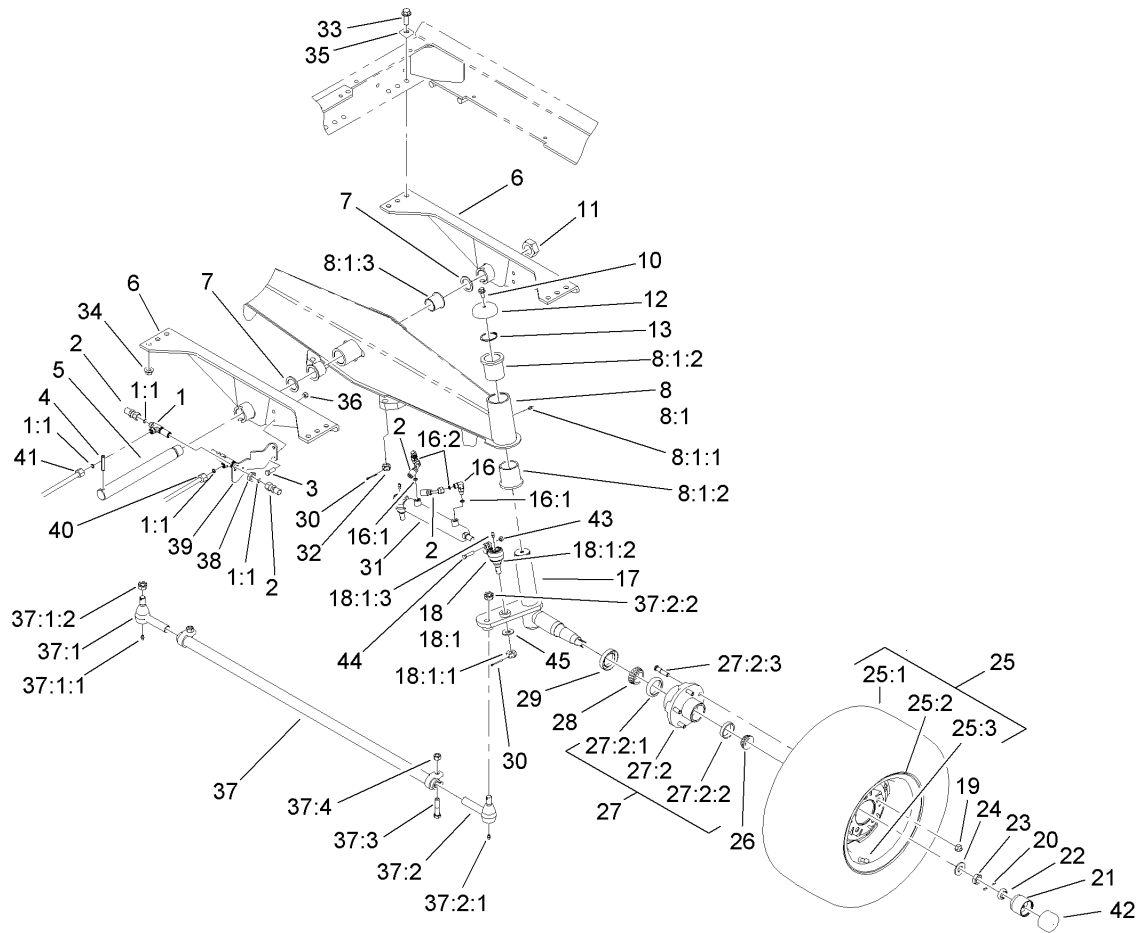
Ref	Part No.	Qty.	Description
25	3255-2	1	Washer-Lock / EXT
26	33116-020	1	Screw-HH
27	3254-2	1	Washer-Lock, Internal
28	322-4	2	Screw-HH
29	32152-2	4	Nut-Lock, Cone
30	56-7974	2	Clamp-Tube
31	23-7250	1	Spacer-Idler
32	322-11	1	Screw-HH
33	69-9761	1	Coverplate
34	323-4	4	Screw-HH
35	3296-2	2	Nut-Lock
36	99-7435	2	Relay-Power
38	98-0806	1	Tube ASM
●38:1	237-65	1	O-Ring
39	98-0805	1	Tube ASM
●39:1	237-65	1	O-Ring
40	106-0061	1	Hose ASM
41	69-6160	1	Tube ASM
●41:1	340-65	1	O-Ring
42	340-129	1	Fitting-HYD, 90 DEG
42:1	237-146	1	O-Ring
42:2	340-65	1	O-Ring
43	340-142	1	Fitting-HYD, 90 DEG
43:1	237-58	1	O-Ring



Rear Axle Assembly

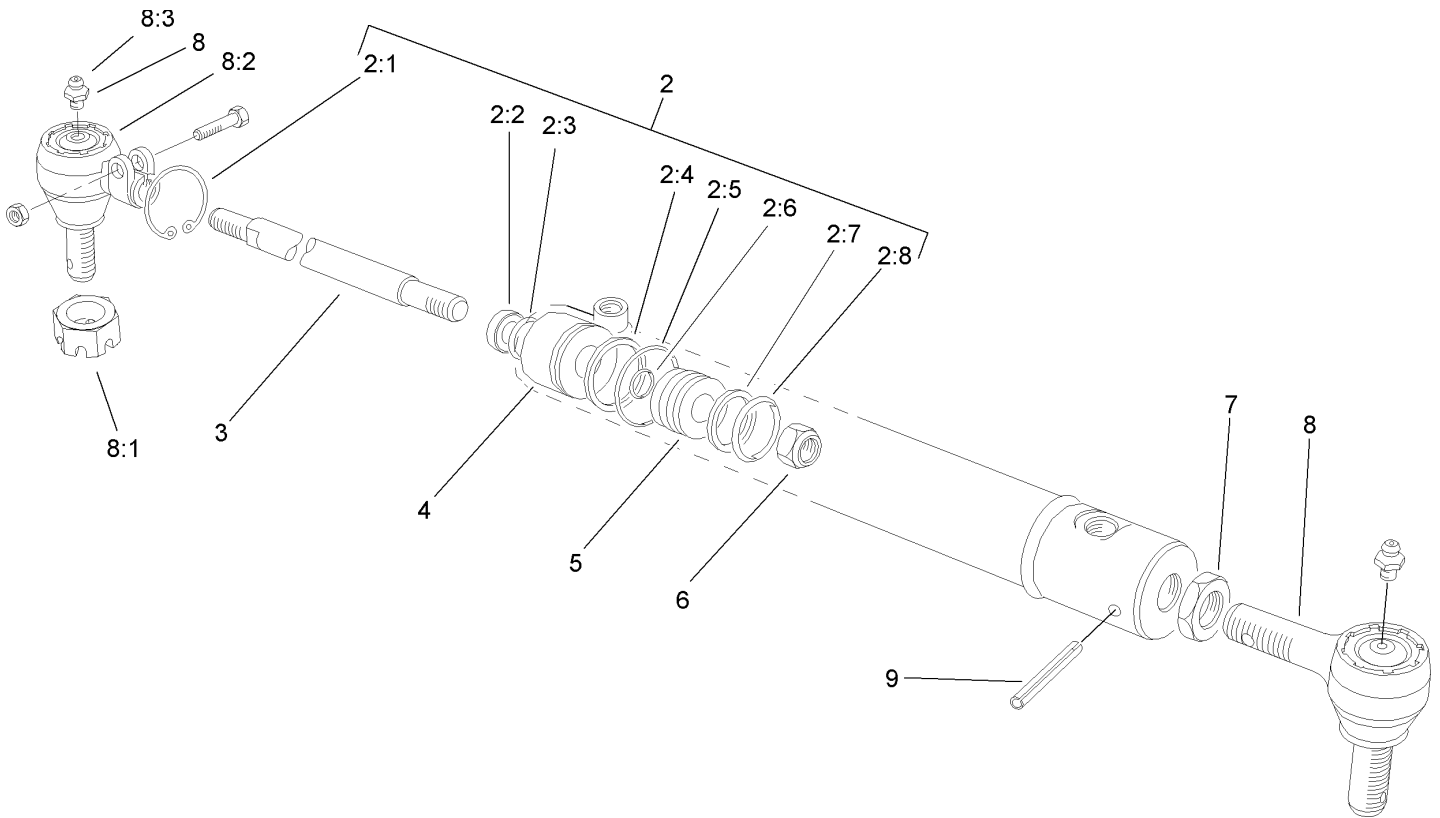
Ref	Part No.	Qty.	Description
1	340-68	2	Fitting-Tee, Bulkhead
1:1	237-22	3	O-Ring
2	69-5510	4	Hose ASM
3	323-6	2	Screw-HH
4	32121-110	1	Pin-Roll, Slotted
5	71-2590	1	Shaft-Pivot
6	69-7960-01	2	Support-Axle
7	98-1452	2	Washer-Thrust
8	100-3364-01	1	Rear Axle ASM
8:1		1	Axle-Rear
8:1:1	302-5	3	Fitting-Grease
8:1:2	100-2506	4	Bushing-Caster
8:1:3	69-6470	2	Bushing-Caster
10	3234-12	2	Screw-HHF
11	3296-68	1	Nut-Lock, NI
12	100-3362	2	Cap-Spindle
13	100-4196	2	Ring-Retaining
16	340-132	4	Fitting-HYD, 90 DEG
16:1	237-78	1	O-Ring
16:2	237-21	1	O-Ring
17	100-3358-03	1	Spindle-Wheel, LH
17	100-3359-03	1	Spindle-Wheel, RH
18	106-6895-03	2	Ball Joint ASM
18:1		1	Joint-Ball

Ref	Part No.	Qty.	Description
18:1:1	32136-13	1	Nut-SHH
18:1:2	106-6896	1	Seal
18:1:3	302-5	1	Fitting-Grease
19	23-7270	10	Nut-Wheel
20	3272-13	2	Pin-Cotter
21	100-3769	2	Protector-Bearing
22	93-0307	2	Nut-Lock, Retainer
23	3220-7	2	Nut-Jam
24	93-0309	2	Washer-Tab
25	69-9870	2	Wide Wheel And 6-Ply Tire ASM
25:1	69-9880	1	Tire (23X10.5-12) 6-Ply
25:2	217-116	1	Wheel
25:3	232-27	1	Stem-Valve
26	254-92	2	Cone-Bearing, Outer
27	69-2960-03	2	Hub ASM
27:2		1	Hub ASM
27:2:1	254-107	1	Cup-Bearing, Tapered
27:2:2	254-72	1	Bearing-Cup, Tapered
27:2:3	69-2990	5	Stud-Wheel
28	254-106	2	Cone-Bearing, Tapered
29	69-2980	2	Seal
30	3272-12	6	Pin-Cotter
31	98-0661	2	Cylinder-Steering
32	32136-13	2	Nut-SHH



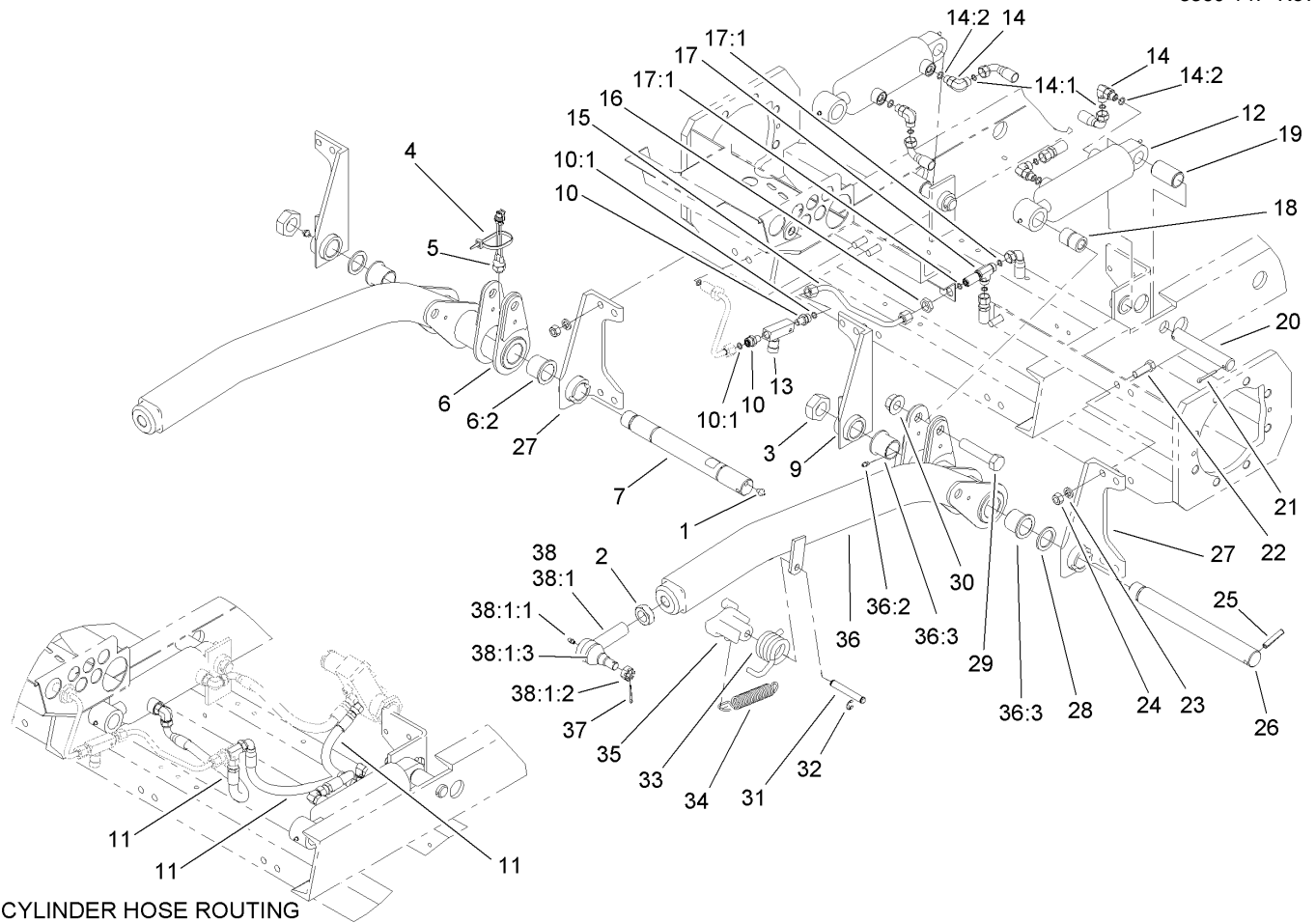
Rear Axle Assembly (continued)

Ref	Part No.	Qty.	Description
33	100-6116	12	Screw-HHF
34	32128-23	12	Nut-HF
35	3290-216	12	Washer
36	32152-2	2	Nut-Lock, Cone
37	110-6143-01	1	Tie Rod ASM
37:1		1	Tie Rod ASM
37:1	110-6141-01	1	Rod End-Tie, RH
37:1:1	302-5	1	Fitting-Grease
37:1:2	32136-2	1	Nut-SHH
37:2	110-6142-01	1	Rod End-Tie, LH
37:2:1	302-5	1	Fitting-Grease
37:2:2	32136-2	1	Nut-SHH
37:3	44-2200	2	Screw-Blade
37:4	32153-7	2	Nut-Lock
38	340-70	2	Nut-Lock
39	95-6487-03	1	Bracket-Hose
40	69-6010	1	Tube-HYD
41	69-6020	1	Tube-HYD
42	100-3809	2	Cap-Protector, Bearing
43	32152-5	2	Nut-Lock, Cone
44	3210-7	2	Screw-HH
45	3256-6	6	Washer-Flat



Hydraulic Steering Cylinder Assembly No. 98-0661

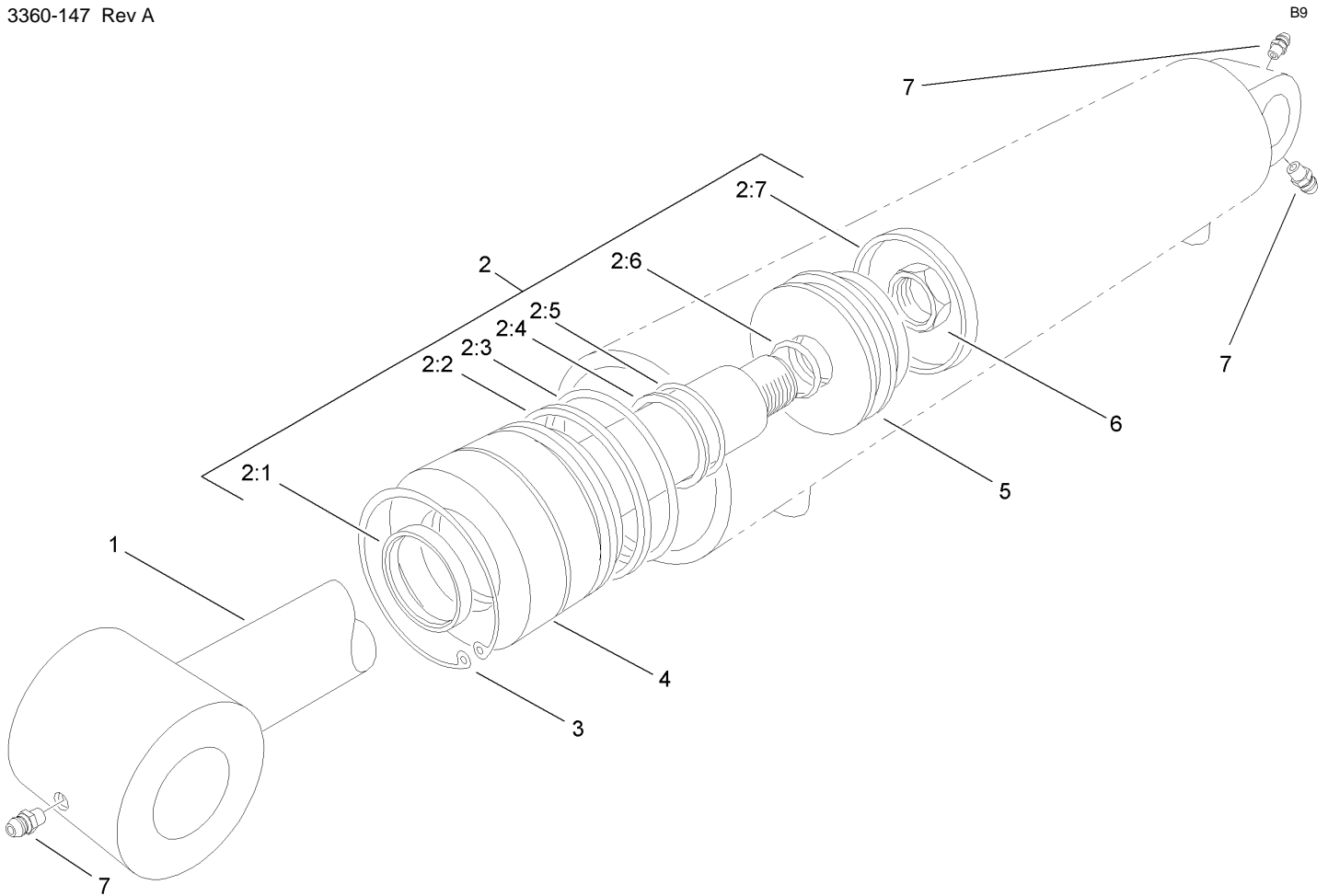
Ref	Part No.	Qty.	Description
2	98-0667	1	Repair Kit
2:1		1	Ring-Retaining
2:2		1	Wiper-Rod
2:3		1	Seal-U Cup
2:4		1	Ring-Back Up
2:5		1	Seal-Dust
2:6		1	Seal-Dust
2:7		1	Ring-Piston
2:8		1	Seal-Dust
3		1	Rod-Piston
4		1	Ring-Head
5		1	Piston
6		1	Nut-Lock
7	69-1980	1	Nut-Jam
8	82-5730	1	End-Rod, Tie
8:1	105-7941	1	Nut-Hex, Slotted
8:2	105-7835	1	Seal
8:3	302-5	1	Fitting-Grease
9	32121-34	1	Pin-Roll



Front Deck Lift Assembly

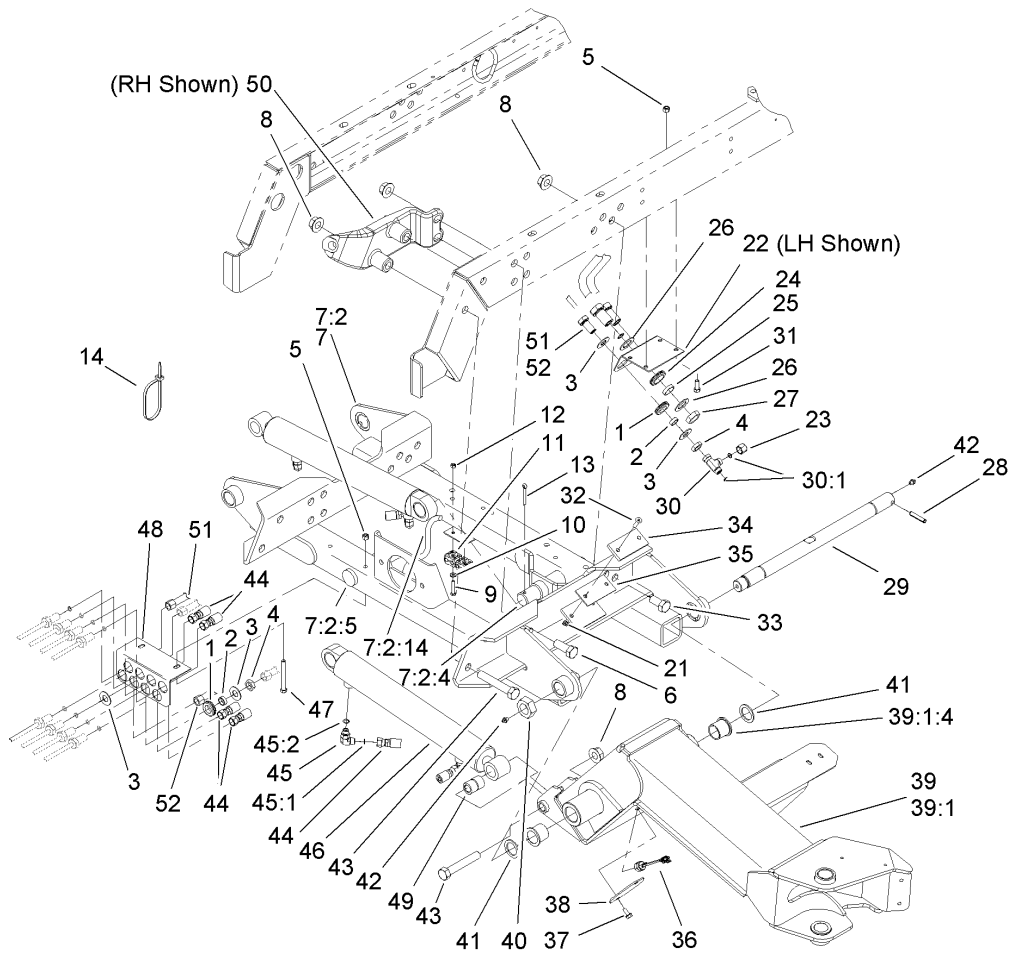
Ref	Part No.	Qty.	Description
1	302-2	2	Fitting-Grease
2	21-3000-01	2	Nut-Jam, Push Arm
3	3296-68	2	Nut-Lock, NI
4	3290-378	1	Tie-Cable
5	72-4310	1	Switch-Ball
6	69-9570	1	RH Front Lift Arm ASM
6:2	69-6470	2	Bushing-Caster
7	71-2570	1	Shaft-Pivot
9	69-7940-01	2	Support-Lift Arm, RH
10	340-57	2	Fitting-HYD
10:1	237-22	1	O-Ring
11	69-5440	3	Hose ASM
12	92-4971	2	Cylinder-HYD
13	93-1397	1	Valve-Control, Flow
14	340-77	4	Fitting-HYD, 90 DEG
14:1	237-22	1	O-Ring
14:2	237-42	1	O-Ring
15	93-7427	1	Tube ASM
16	340-70	1	Nut-Lock
17	340-68	1	Fitting-Tee, Bulkhead
17:1	237-22	3	O-Ring
18	98-7346	2	Spacer
19	20-4360-03	2	Spacer
20	69-9180	2	Pin-Cylinder

Ref	Part No.	Qty.	Description
21	3272-23	4	Pin-Cotter
22	325-6	12	Screw-HH
23	3253-7	16	Washer-Lock
24	3217-9	16	Nut-HH
25	32121-110	2	Pin-Roll, Slotted
26	71-2590	1	Shaft-Pivot
27	69-7920-01	2	Support-Lift Arm, LH
28	98-1452	2	Washer-Thrust
29	328-5	2	Screw-HH
30	32128-45	2	Locknut-Flange
31	32120-47	2	Ring-Retaining, External
32	92-4806	1	Pin-Latch
33	69-8470-03	1	Spring-Torsion
34	76-1670-03	1	Spring-Extension
35	69-1540-03	1	Pivot-Spring, Torsion
36	69-9580	1	LH Front Lift Arm ASM
36:2	302-5	1	Fitting-Grease
36:3	69-6470	2	Bushing-Caster
37	3272-12	2	Pin-Cotter
38	86-8100-01	2	Ball Joint ASM
⊕38:1		1	Joint-Ball
38:1:1	302-5	1	Fitting-Grease
38:1:2	32136-2	1	Nut-SHH
38:1:3	114-2874	1	Seal-Ball Joint



Hydraulic Cylinder Assembly No. 92-4971

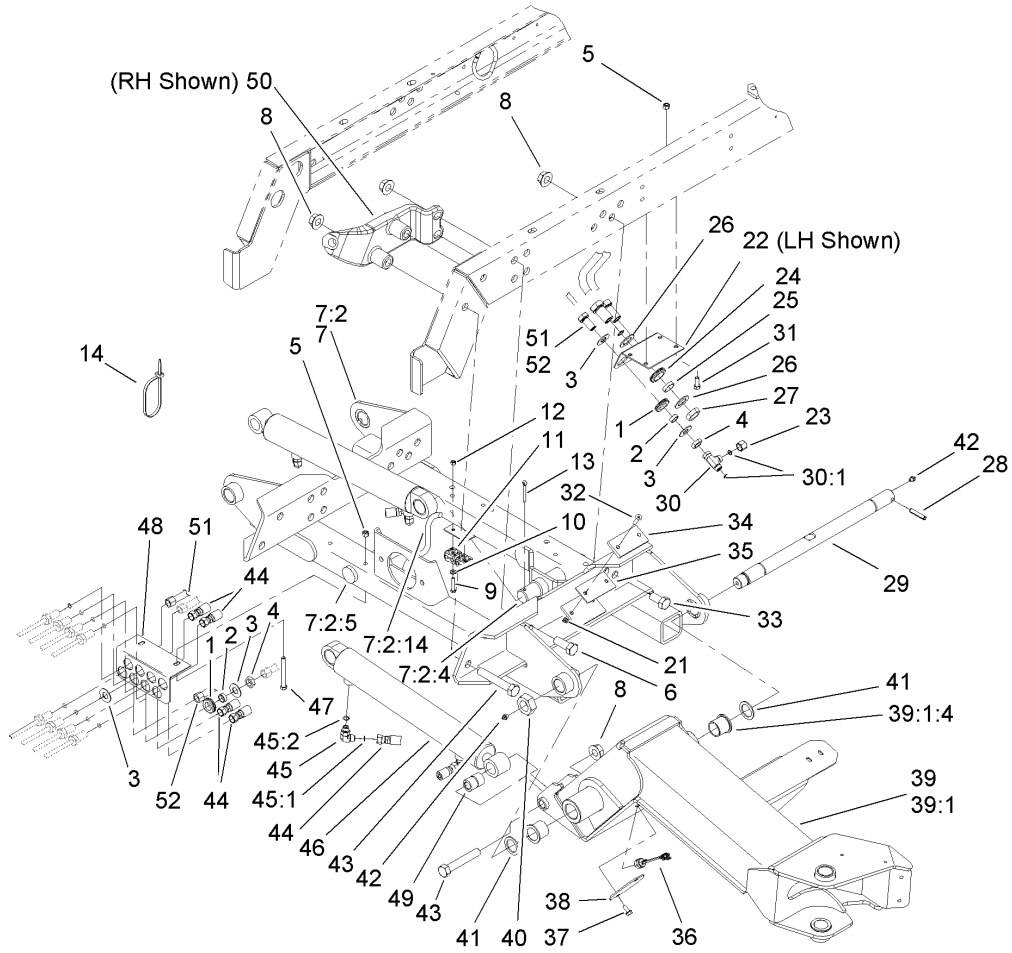
Ref	Part No.	Qty.	Description	
1		1	Shaft	
2	86-7350	1	Repair Kit	
2:1		1	Seal-Rod	
2:2		1	Ring-Backup	
2:3		1	O-Ring	
2:4		1	Ring-Wear	
2:5		1	Wiper-Dust	
2:6		1	O-Ring	
2:7		1	Ring-Wear	
3	61-4990	1	Ring-Retaining	
4		1	Head	
5		1	Piston	
6		1	Nut	
7	302-5	3	Fitting-Grease	



Side Deck Lift Assembly

Ref	Part No.	Qty.	Description
1	240-4	10	Grommet-Rubber
2	69-8970	10	Spacer
3	69-8940	20	Washer
4	340-70	10	Nut-Lock
5	32152-2	2	Nut-Lock, Cone
6	328-24	4	Screw-HH
7	69-4400-01	1	Carrier-Deck, Wing
7:2		1	Carrier-Deck
7:2:4	69-4450	1	Shaft-Cylinder Support, Long
7:2:5	69-4440	1	Shaft-Support Cylinder, Short
7:2:14	85-6270	1	Guard-Shaft, Drive
8	32128-45	22	Locknut-Flange
9	321-9	3	Screw-HH
10	3256-22	3	Washer-Flat
11	56-7973	6	Clamp-Tube
12	32152-4	3	Nut-Lock, Cone
13	3272-33	2	Pin-Cotter
14	3290-378	15	Tie-Cable
21	104-8300	4	Nut-Flange, NI
22	69-9450-03	1	Bracket-Hose, Wing (LH)
22	69-9460-03	1	Bracket-Hose, Wing (RH)
23	340-117	2	Cap
24	240-3	4	Grommet-Rubber
25	69-9000	4	Spacer

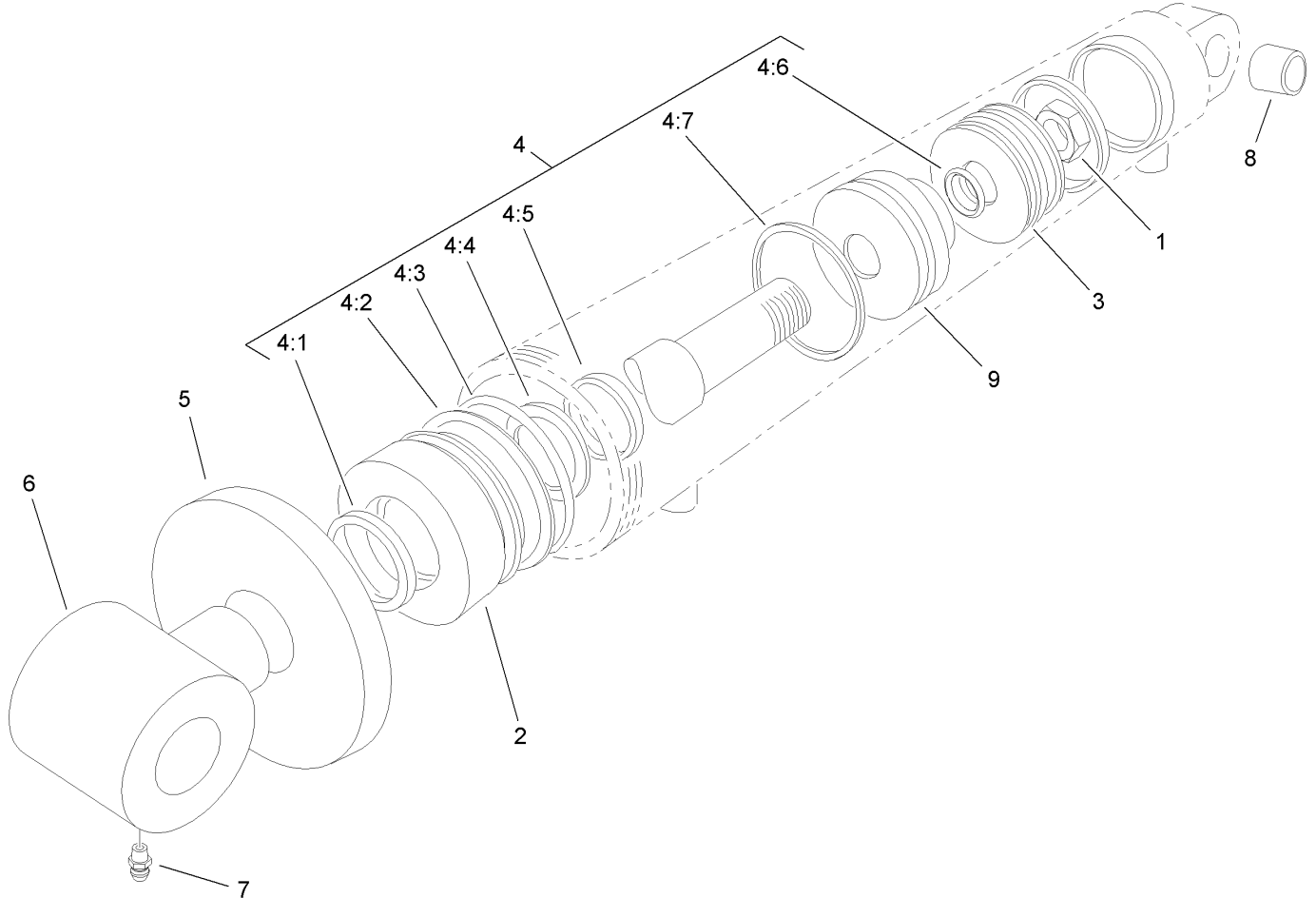
Ref	Part No.	Qty.	Description
26	69-9010	8	Washer
27	340-74	4	Locknut-Bulkhead
28	32121-110	2	Pin-Roll, Slotted
29	99-5917	2	Shaft-Pivot, Lift Arm
30	340-115	2	Fitting-Tee
30:1	237-22	2	O-Ring
31	323-6	4	Screw-HH
32	32108-103	4	Screw-FH
33	328-26	12	Screw-HH
34	69-9300	2	Pad-Bumper
35	93-9922	2	Spacer
36	72-4310	2	Switch-Ball
37	32144-11	4	Screw-HWHTF
38	39-7650-01	2	Cover
39	93-9925-01	1	Arm-Lift, RH
39	93-9926-01	1	Arm-Lift, LH
39:1		1	Arm-Lift
39:1:4	69-6470	4	Bushing-Caster
40	3296-68	2	Nut-Lock, NI
41	98-1452	4	Washer-Thrust
42	302-2	4	Fitting-Grease
43	328-8	6	Screw-HH
44	69-5490	4	Hose ASM
45	340-77	4	Fitting-HYD, 90 DEG



Side Deck Lift Assembly (continued)

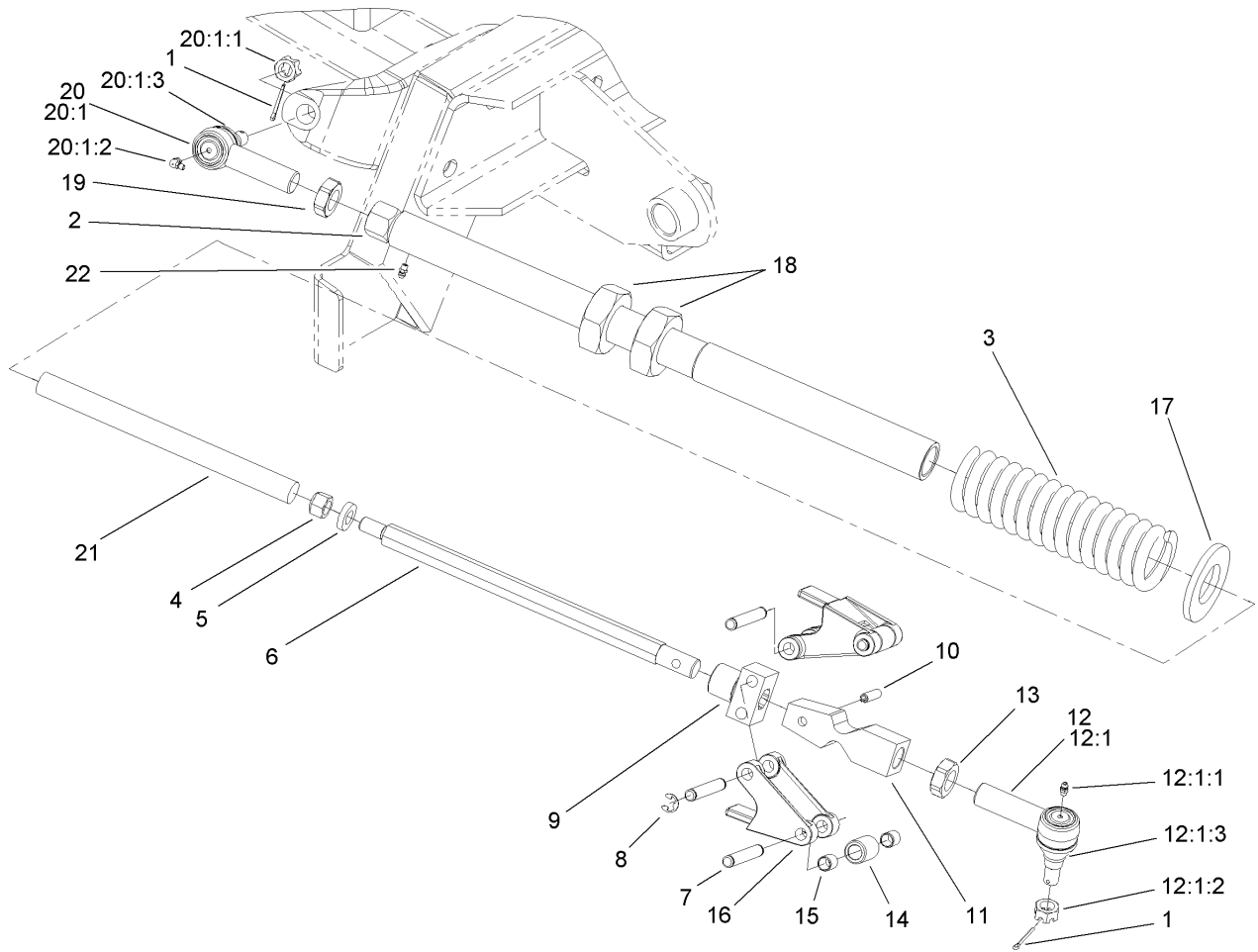
Ref	Part No.	Qty.	Description
45:1	237-22	1	O-Ring
45:2	237-42	1	O-Ring
46	74-2170	2	HYD Cylinder ASM
47	323-15	2	Screw-HH
48	74-2680-03	1	Bracket-Bulkhead
49	98-7346	2	Spacer
50	69-1580-03	1	Anchor-LH
50	69-1600-03	1	Anchor-RH
51	69-5970	1	Tube-HYD
●51:1	237-22	1	O-Ring
52	95-6498	1	Tube-HYD
●52:1	237-22	1	O-Ring

--	--	--	--



Hydraulic Cylinder Assembly No. 74-2170

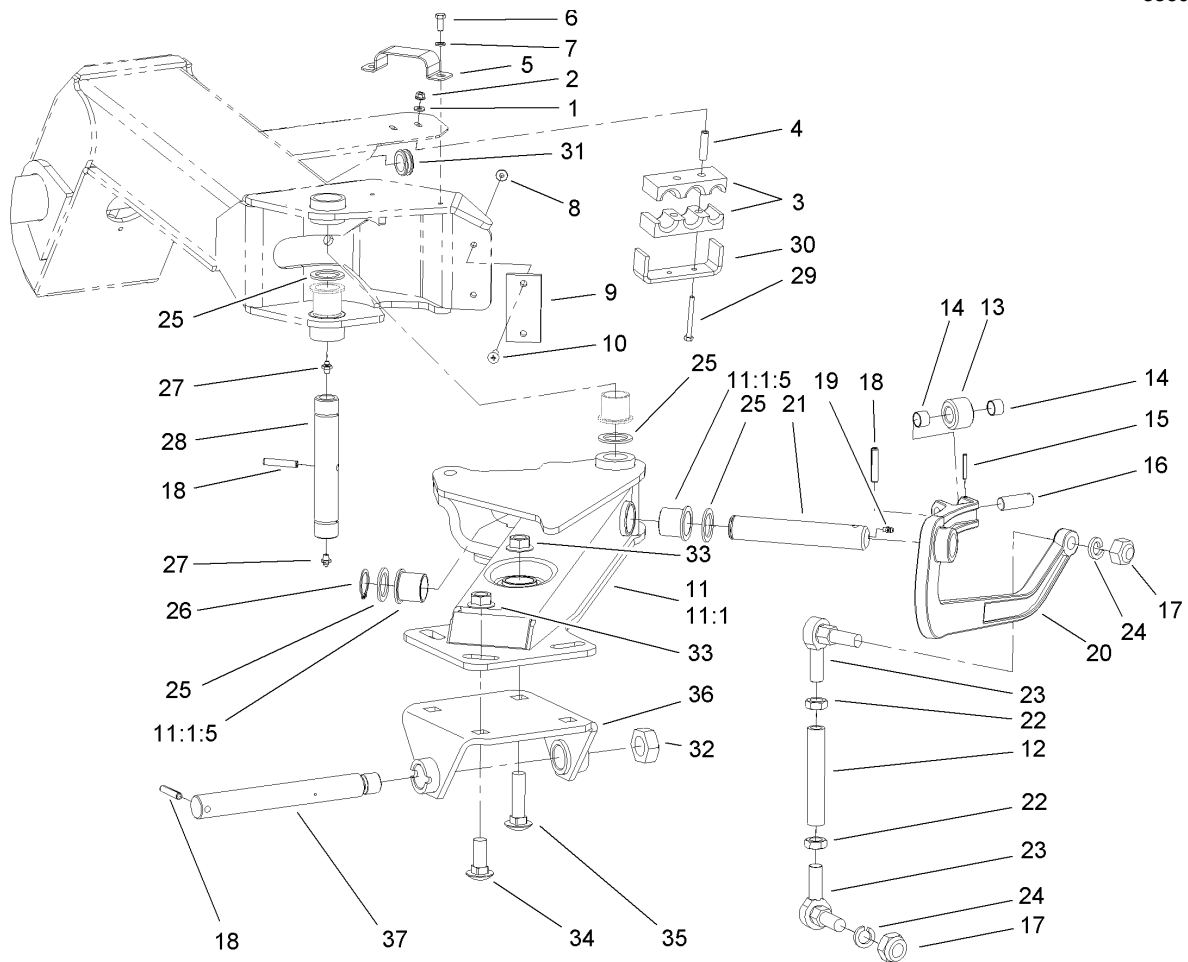
Ref	Part No.	Qty.	Description
1		1	Nut
2		1	Head
3		1	Piston
4	86-7350	1	Repair Kit
4:1		1	Seal-Rod
4:2		1	Ring-Backup
4:3		1	O-Ring
4:4		1	Ring-Wear
4:5		1	Wiper-Dust
4:6		1	O-Ring
4:7		1	Ring-Wear
5		1	Collar
6		1	Shaft
7	302-5	1	Fitting-Grease
8	95-1597	1	Bushing
9		1	Cushion



Wing Deck Latch Assembly

Ref	Part No.	Qty.	Description
1	3272-12	4	Pin-Cotter
2	69-7210-03	2	Tube Latch ASM
3	69-8480-03	2	Spring-Compression
4	3296-41	2	Nut-Lock NI
5	71-2550	2	Washer-Shaft, Latch
6	69-9680	2	Shaft-Latch
7	92-4806	8	Pin-Latch
8	32120-47	16	Ring-Retaining, External
9	92-4804	2	Block-Latch, Pivot
10	32121-49	2	Pin-Roll
11	92-4805	2	Cam-Trip, Spring
12	86-8100-01	2	Ball Joint ASM
● 12:1		1	Joint-Ball
12:1:1	302-5	1	Fitting-Grease
12:1:2	32136-2	1	Nut-SHH
12:1:3	114-2874	1	Seal-Ball Joint
13	21-3000-01	2	Nut-Jam, Push Arm
14	92-4094	4	Roller-Latch
15	256-172	8	Bushing
16	69-1630-03	4	Arm-Pivot
17	69-9100	2	Washer-Latch
18	3220-22	4	Nut-Jam
19	21-3001-03	2	Nut-Jam, Push Arm
20	86-8101-03	2	LH Ball Joint ASM

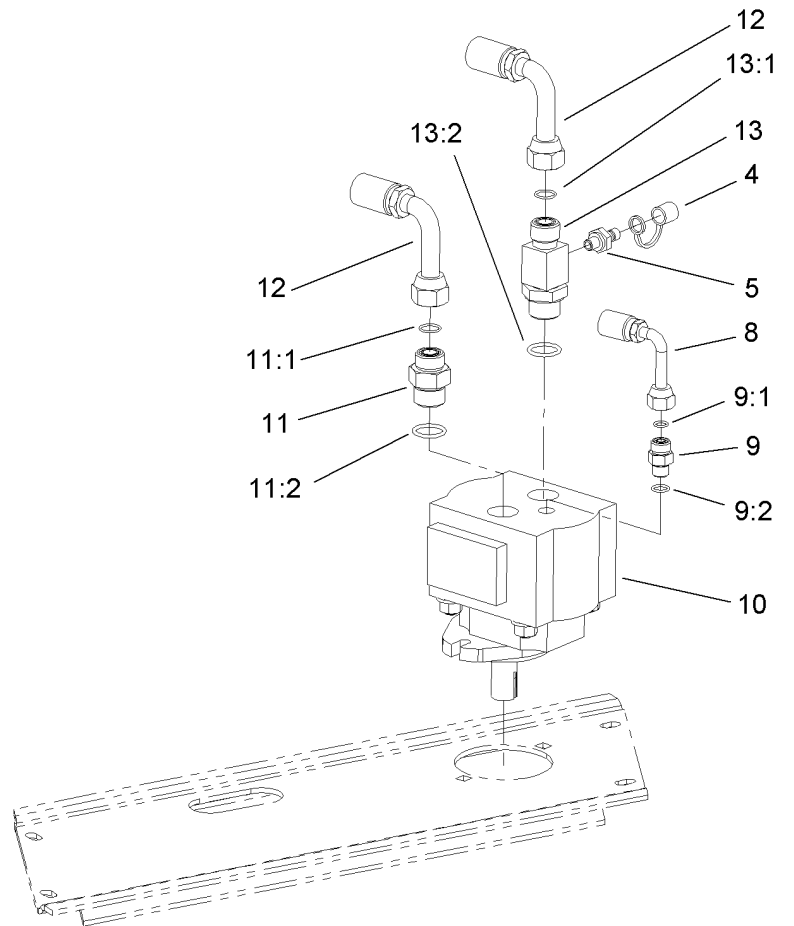
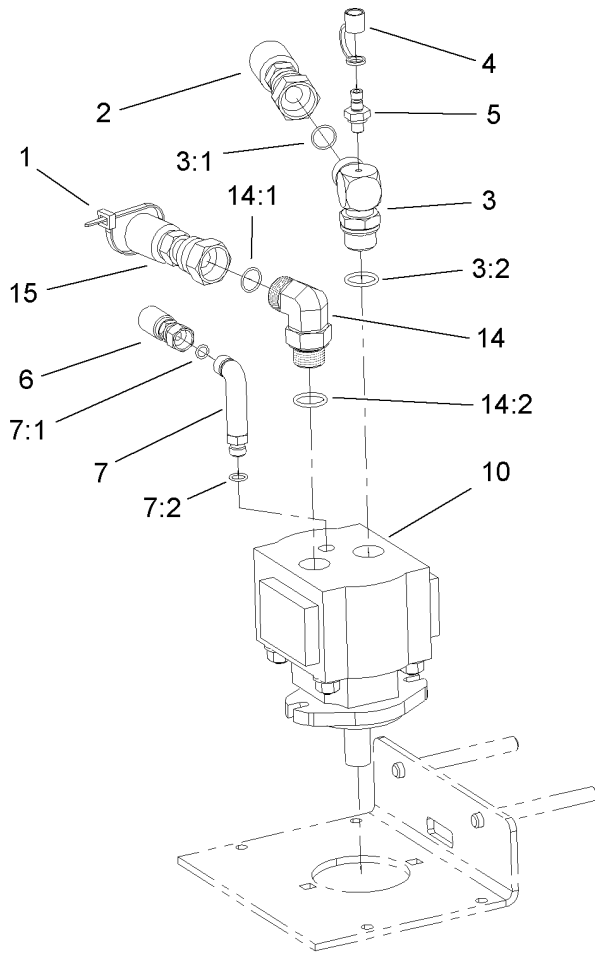
Ref	Part No.	Qty.	Description
● 20:1		1	Joint-Ball, LH
20:1:1	32136-2	1	Nut-SHH
20:1:2	302-40	1	Fitting-Grease
20:1:3	105-7835	1	Seal
21	106-0310	2	Spacer-Plastic
22	302-5	2	Fitting-Grease



Outer Wing Deck Lift Assembly

Ref	Part No.	Qty.	Description
1	3256-22	4	Washer-Flat
2	32128-32	4	Nut-HHF
3	74-2710	4	Clamp-Hose
4	74-2730	4	Tube
5	93-9928	2	Clamp-Hose
6	322-3	4	Screw-HH
7	3253-4	4	Washer-Lock
8	104-8300	4	Nut-Flange, NI
9	69-9300	2	Pad-Bumper
10	32108-103	4	Screw-FH
11	93-9941-01	1	Arm-Outer Lift, RH
11	93-9942-01	1	Arm-Outer Lift, LH
11:1		1	Arm-Lift, Outer
11:1:5	69-6470	2	Bushing-Caster
12	71-2600	2	Tube-Antisway
13	69-9240	2	Roller-Cam
14	256-76	4	Bushing
15	32121-34	2	Pin-Roll
16	69-9250	2	Pin-Roller
17	3219-7	4	Nut-Hex
18	32121-110	4	Pin-Roll, Slotted
19	302-5	2	Fitting-Grease
20	98-3312-01	1	Arm-Anti Sway, RH
20	98-3311-01	1	Arm-Anti Sway, LH

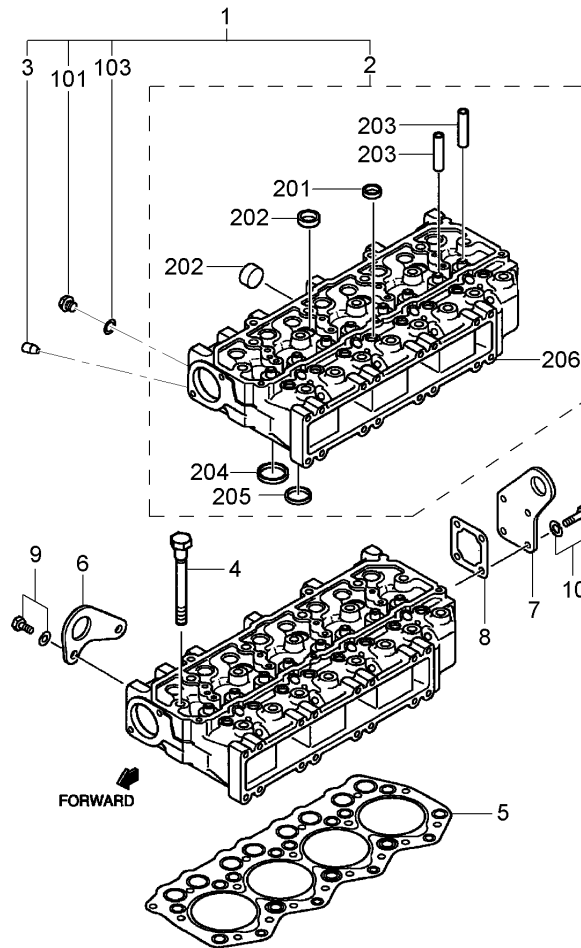
Ref	Part No.	Qty.	Description
21	82-7900	2	Arm-Shaft
22	3220-7	4	Nut-Jam
23	2411-40	4	End-Rod
24	3253-9	4	Washer-Lock
25	98-1452	12	Washer-Thrust
26	32151-10	2	Ring-Snap
27	302-2	4	Fitting-Grease
28	71-2620	2	Shaft-Elbow, Lift Arm
29	321-15	4	Screw-HH
30	94-6772-01	2	Retainer
31	93-9912	2	Grommet
32	3296-68	2	Nut-Lock, NI
33	32128-45	8	Locknut-Flange
34	3233-28	6	Screw-CARR
35	3233-29	2	Screw-CARR
36	69-7170-01	2	Clevis
37	71-2610	2	Shaft-Pivot, Deck



Deck Motor Assembly

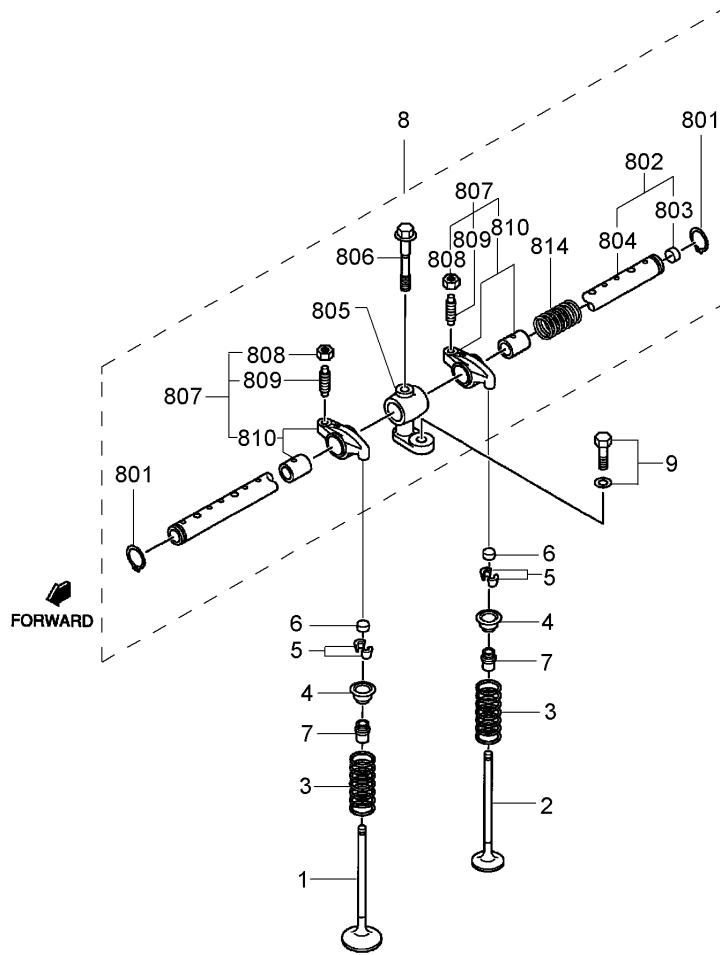
Ref	Part No.	Qty.	Description
1	3290-378	2	Tie-Cable
2	106-0079	1	HYD Hose ASM
3	99-4444	1	Fitting-HYD
3:1	237-58	1	O-Ring
3:2	237-81	1	O-Ring
4	354-79	3	Cap-Dust
5	99-4443	3	Fitting
6	76-2770	1	Hose ASM
7	69-4320	1	Fitting-HYD, 90 DEG
7:1	237-22	1	O-Ring
7:2	237-42	1	O-Ring
8	93-9917	2	HYD Hose ASM
9	340-2	2	Fitting-HYD, Straight
9:1	237-22	1	O-Ring
9:2	237-42	1	O-Ring
10	94-4907	3	Motor-HYD
11	340-8	2	Adapter
11:1	237-65	1	O-Ring
11:2	237-81	1	O-Ring
12	93-9918	4	HYD Hose ASM
13	99-4442	2	Fitting
13:1	237-65	1	O-Ring
13:2	237-81	1	O-Ring
14	340-142	1	Fitting-HYD, 90 DEG

Ref	Part No.	Qty.	Description
14:1	237-58	1	O-Ring
14:2	237-81	1	O-Ring
15	106-0078	1	HYD Hose ASM



Cylinder Head Assembly

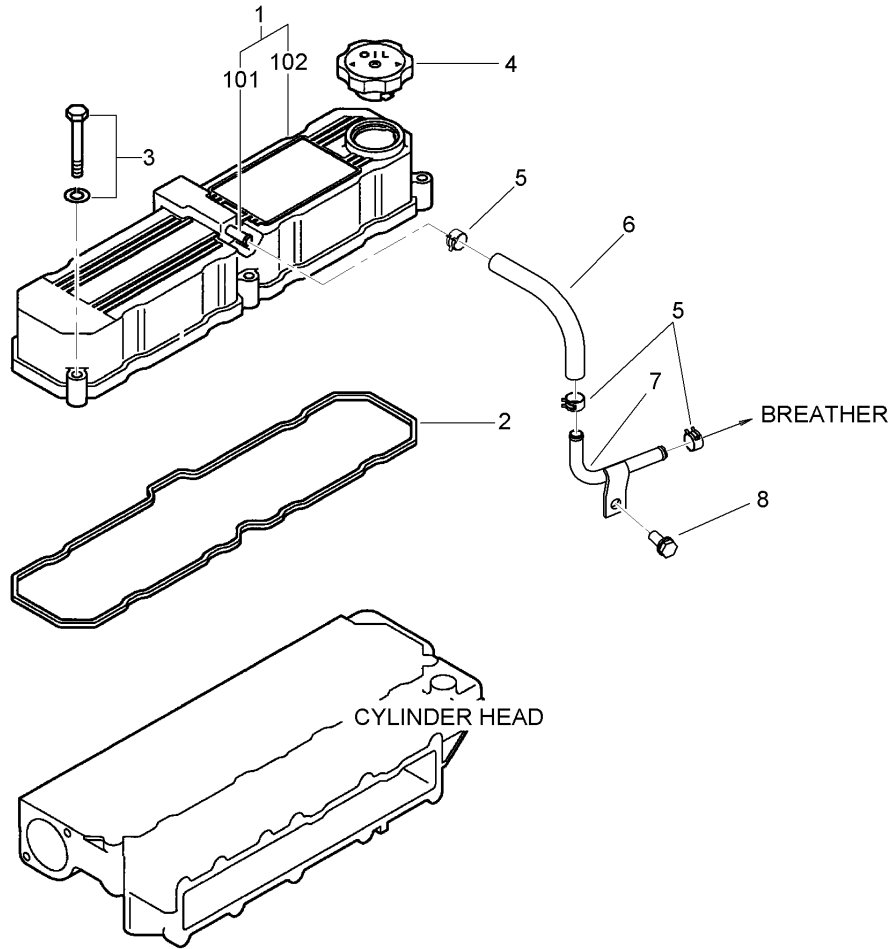
Ref	Part No.	Qty.	Description				
1	107-4801	1	Cylinder Head ASM				
2		1	Cylinder Head Sub ASM				
3		1	Plug				
4	99-1806	17	Bolt-Head, Cylinder				
5	99-1807	1	Gasket-Head, Cylinder				
6		1	Eye-Lifting				
7	99-1808	1	Eye-Lifting, Head Rear				
8	99-1809	1	Gasket-Head, Rear				
9	99-1810	2	Bolt W/Washer				
10	99-1811	4	Bolt W/Washer				
101	99-1812	1	Plug-Drain				
103	99-1813	1	Gasket				
201	107-4802	12	Cap-Sealing				
202	107-4803	7	Cap-Sealing				
203	99-1803	8	Guide-Valve				
204	99-1804	4	Seat-Valve, In				
205	99-1805	4	Seat-Valve, Ex				
206		1	Head-Cylinder				



Valve Mechanism Assembly

Ref	Part No.	Qty.	Description
1	99-1814	4	Valve-Inlet
2	99-1815	4	Valve-Exhaust
3	51-5320	8	Spring
4	99-1816	8	Retainer-Upper
5	60-7420	16	Valve-Cotter
6	51-5280	8	Cap
7	99-1817	8	Seal-Stem, Valve
8	107-4804	1	Rocker And Shaft ASM
9	99-1825	4	Bolt W/Washer
801	42-7990	2	Ring-Snap
802	99-1821	1	Rocker Shaft ASM
803	107-4805	2	Cap-Sealing
804		1	Shaft-Rocker
805	99-1823	4	Bracket-Shaft, Rocker
806	99-1824	4	Bolt-Bracket, Rocker
807	107-4806	8	Rocker ASM
808	70-2970	8	Nut
809	93-3401	8	Rocker Screw ASM
810		8	Rocker & Bushing
814	107-4807	3	Spring-Rocker

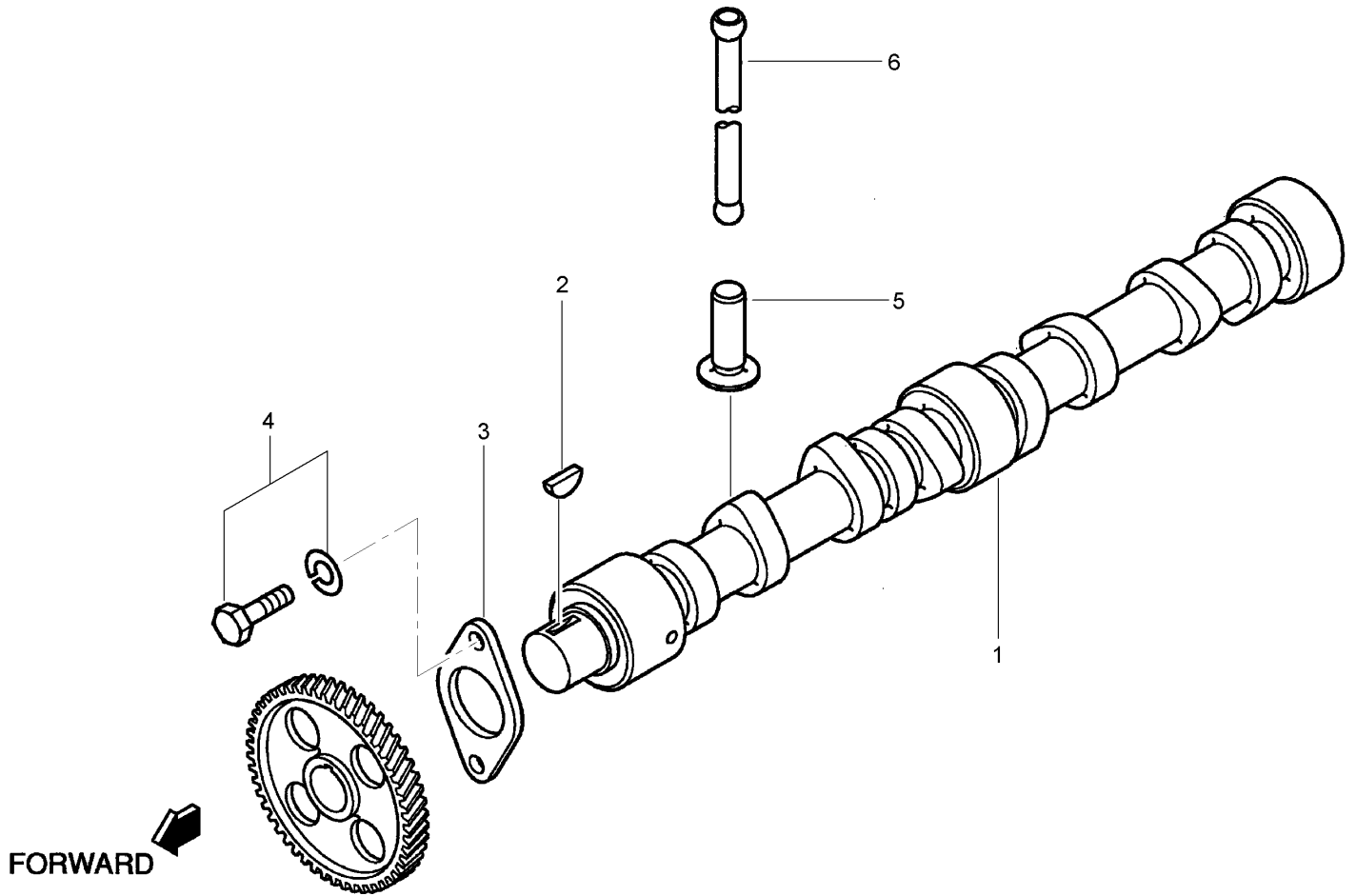
--	--	--	--



Rocker Cover and Breather Assembly

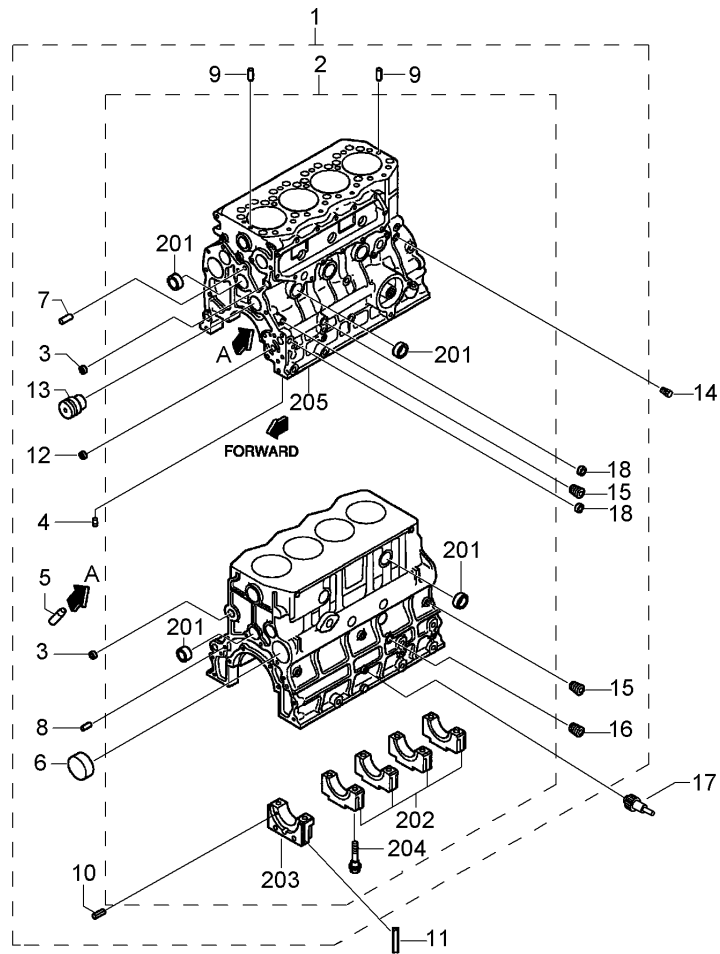
Ref	Part No.	Qty.	Description
1	99-1826	1	Rocker Cover ASM
2	99-1827	1	Gasket-Rocker
3	99-1828	5	Bolt W/Washer
4	42-7420	1	Cap-Filler
5	99-1833	3	Clip-Hose
6	108-8082	1	Hose-Breather
7	108-8083	1	Pipe-Breather
8	99-1836	1	Bolt W/Washer
②101		1	Pipe
②102		1	Cover-Rocker

--	--	--	--



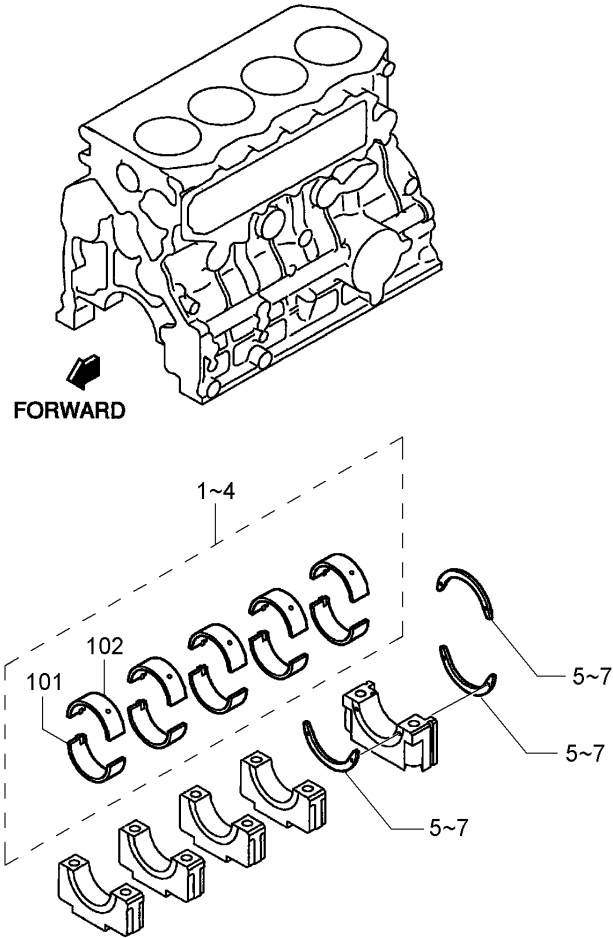
Camshaft Assembly

Ref	Part No.	Qty.	Description
1	99-1829	1	Camshaft
2	51-5460	1	Key
3	51-5470	1	Plate
4	99-1810	2	Bolt W/Washer
5	99-1831	8	Tappet
6	99-1832	8	Rod-Push



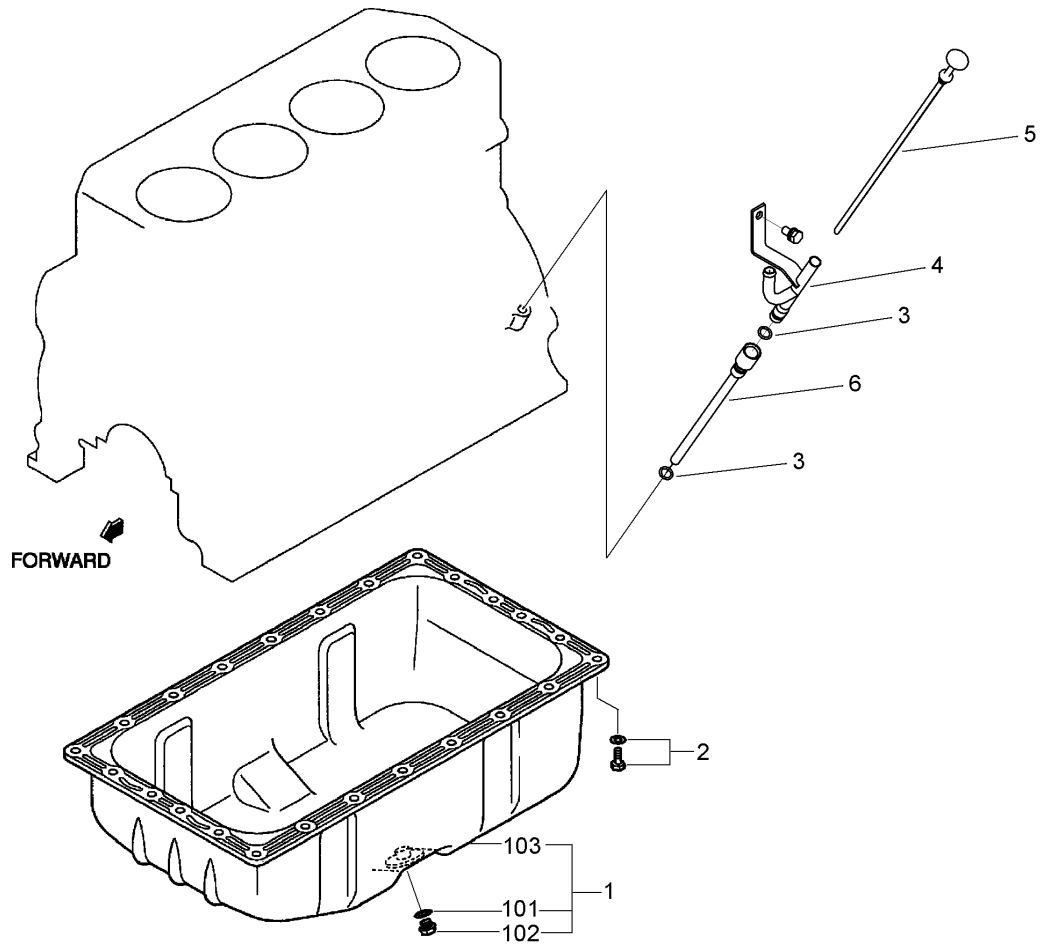
Crankcase Assembly

Ref	Part No.	Qty.	Description				
1	99-1837	1	Crankcase ASM				
2		1	Crankcase Sub ASM				
3	110-6192	4	Plug				
4		3	Plug				
5	107-4809	4	Pipe-Jet, Oil				
6	99-1840	1	Plug-Cam				
7	99-1841	2	Pin-Dowel				
8	70-3000	2	Pin				
9	93-3365	2	Pin-Dowel				
10	99-1842	6	Pin-Spring				
11	99-1853	2	Seal-Side				
12	99-1843	1	Bushing				
13	99-1844	1	Shaft-Idler				
14	56-0100	1	Plug-Drain				
15	86-6240	5	Plug-Tapered				
16	99-1845	1	Plug-Taper				
17	56-1310	1	Switch ASM				
18	110-6193	2	Plug				
201	107-4808	10	Cap-Sealing				
202		4	Cap-Metal				
203		1	Cap-Metal, Rear				
204	99-1838	10	Bolt-Cap, Bearing				
205		1	Crankcase				



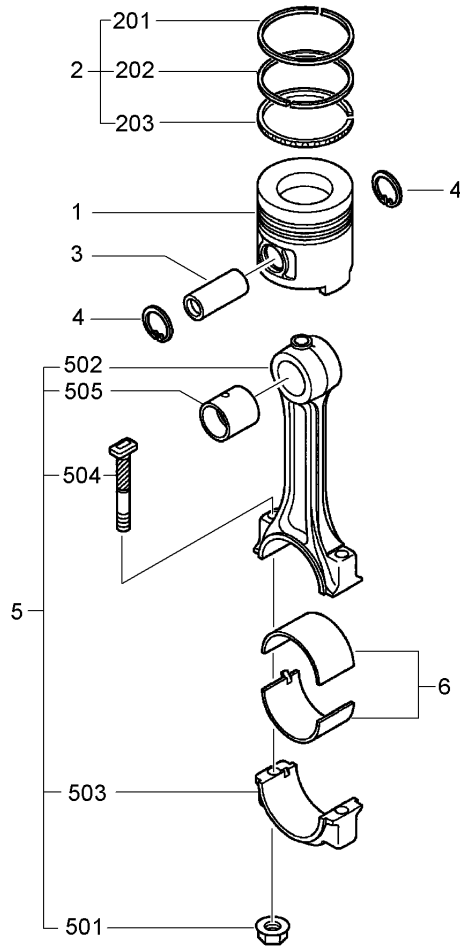
Main Metal Assembly

Ref	Part No.	Qty.	Description				
1	99-1846	1	Set-Metal, Main				
2	99-1847	1	Set-Metal, Main				
3	99-1848	1	Set-Metal, Main				
4	99-1849	1	Set-Metal, Main				
5	99-1850	3	Plate-Thrust, C/S				
6	99-1851	3	Plate-Thrust, C/S				
7	99-1852	3	Plate-Thrust, C/S				
②101		5	Main Metal, Lower				
②102		5	Main Metal, Upper				



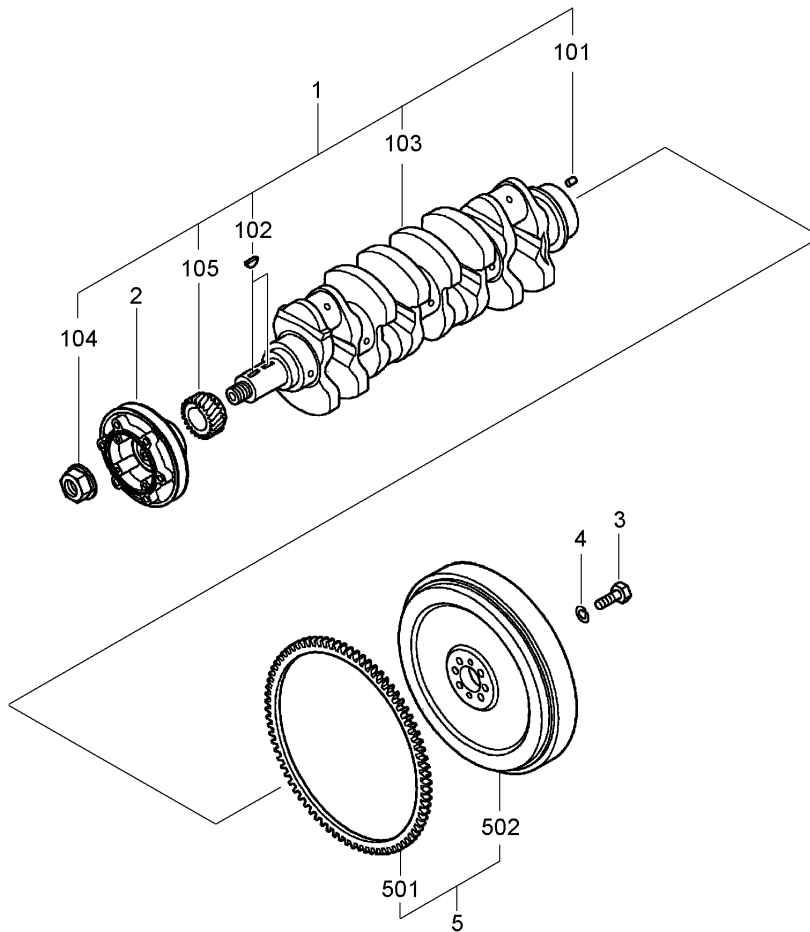
Oil Pan Assembly

Ref	Part No.	Qty.	Description
1	99-1874	1	Oil Pan ASM
2	99-1810	25	Bolt W/Washer
3	107-4814	2	O-Ring
4	108-8091	1	Guide-Oil Level
5	108-1595	1	Gage-Oil Level
6	108-8092	1	Pipe-Oil Level
101	92-1921	1	Oil Gasket
102	92-1920	1	Oil Plug
②103		1	Pan-Oil



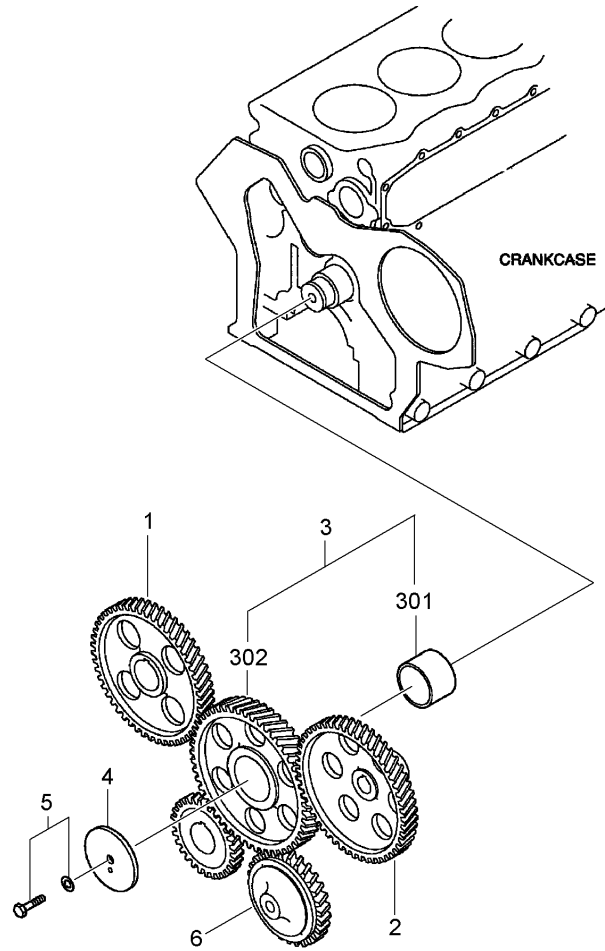
Piston and Connecting Rod Assembly

Ref	Part No.	Qty.	Description			
1	107-4816	4	Piston			
1	112-9101	1	Piston (O.S. 0.25)			
1	112-9102	1	Piston (O.S. 0.50)			
2	115-4137	4	Set-Ring, Piston			
2	112-9103	1	Ring Set, Piston (O.S. 0.25)			
2	112-9104	1	Ring Set, Piston (O.S. 0.50)			
3	107-4817	4	Pin-Piston			
4	99-1887	8	Ring-Snap			
5	99-1888	4	Connecting Rod ASM			
6	99-1891	1	Metal Set (Connecting Rod)			
6	112-8420	1	Bearing Set-Con Rod,.25 U/S			
6	112-8421	1	Bearing Set-Con Rod,.50 U/S			
6	112-8422	1	Bearing Set-Con Rod,.75 U/S			
201		4	Ring-#1			
202		4	Ring-#2			
203		4	Ring-Oil			
501	51-6230	8	Nut			
502		4	Rod-Connecting			
503		4	Cap-Connecting Rod			
504	99-1889	8	Bolt-Connecting			
505	99-1890	4	Bushing-Rod, Connecting			



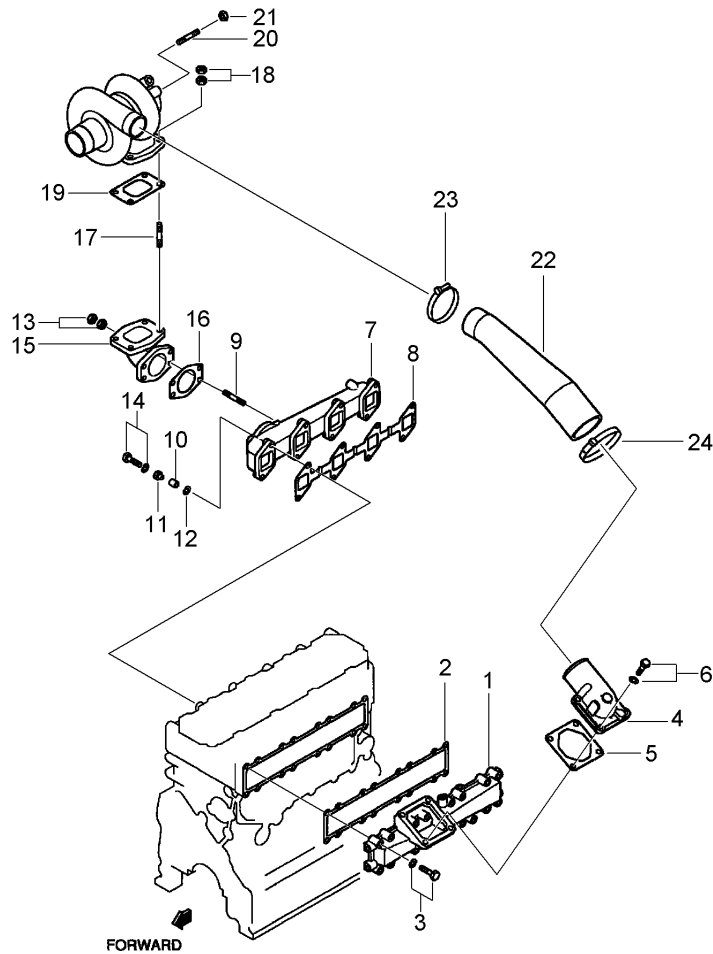
Crankcase and Flywheel Assembly

Ref	Part No.	Qty.	Description	
1	99-1895	1	Crankshaft ASM	
2	99-1896	1	Pulley-Crankshaft	
3	70-2880	4	Bolt	
4	51-8610	4	Washer-Spring	
5	99-1899	1	Flywheel ASM	
101	51-6300	2	Pin-Dowel	
102	51-5460	2	Key	
②103		1	Crankshaft	
104	99-1897	1	Nut-Crankshaft	
105	99-1898	1	Gear-Crankshaft	
501	99-2100	1	Gear-Ring	
②502		1	Flywheel	



Timing Gear Assembly

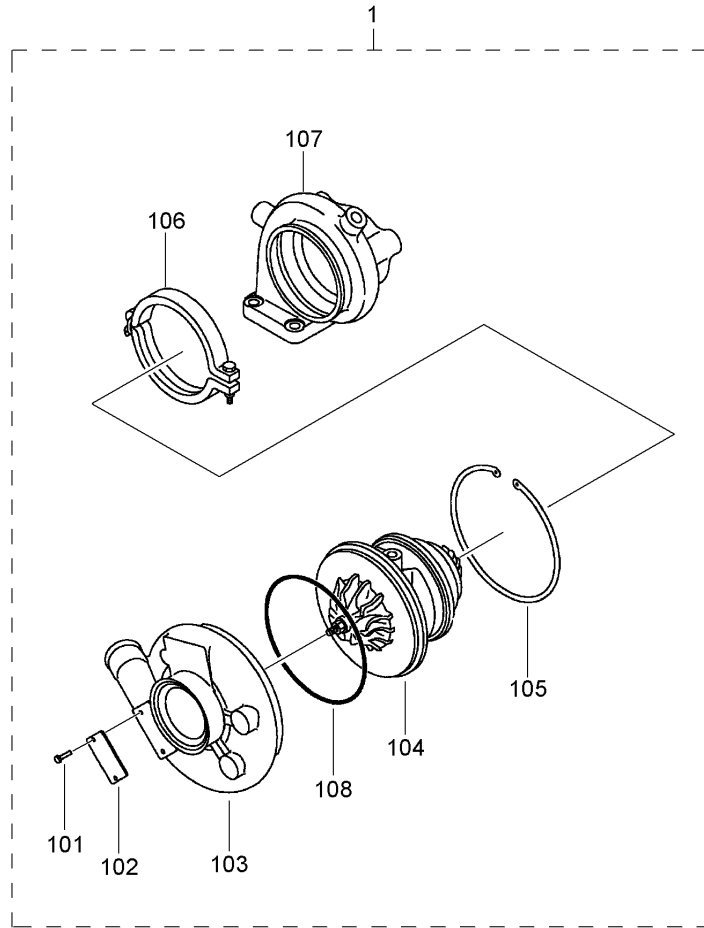
Ref	Part No.	Qty.	Description
1	99-1868	1	Gear-Camshaft
2	107-4818	1	Gear-Pump, Injection
3	99-1870	1	Gear Idler ASM
4	99-1871	1	Plate-Thrust
5	99-1872	1	Bolt W/Washer
6	99-1873	1	Gear-Pump, Oil
②301		1	Bushing-Idler
②302		1	Gear-Idler



Inlet and Exhaust System Assembly

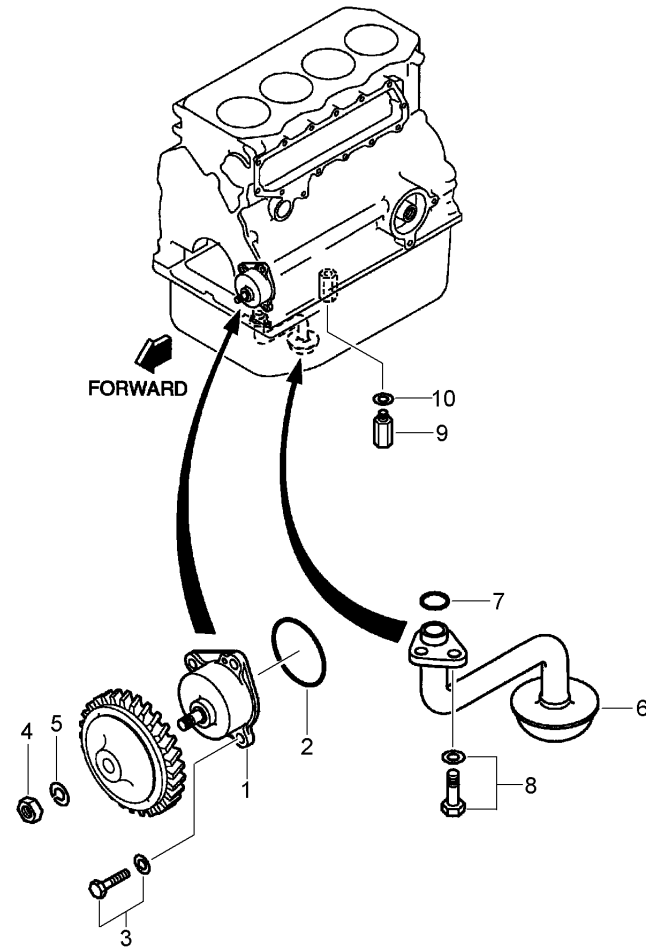
Ref	Part No.	Qty.	Description
1	99-2101	1	Inlet Manifold ASM
2	99-2102	1	Gasket-Inlet, Manifold
3	99-1828	16	Bolt W/Washer
4	70-6090	1	Elbow
5	99-2104	1	Gasket-Heater, Air
6	99-1811	4	Bolt W/Washer
7	99-2108	1	Exhaust Manifold ASM
8	99-2105	1	Gasket-Exhaust, Manifold
9	107-4819	4	Stud
10	99-2109	8	Spacer
11	99-2110	8	Washer
12	51-7250	8	Washer
13	60-7120	8	Nut
14	99-2111	8	Bolt W/Washer
15	99-2106	1	Pipe-Exhaust
16	99-2107	1	Gasket-Exhaust
17	99-2112	4	Stud
18	99-2113	8	Nut-Lock
19	99-2114	1	Gasket-Exhaust
20	107-4820	3	Stud
21	99-2113	6	Nut-Lock
22	99-2116	1	Hose-Air
23	107-4821	1	Clamp-Hose
24	107-4822	1	Clamp-Hose

--	--	--	--



Turbocharger Assembly

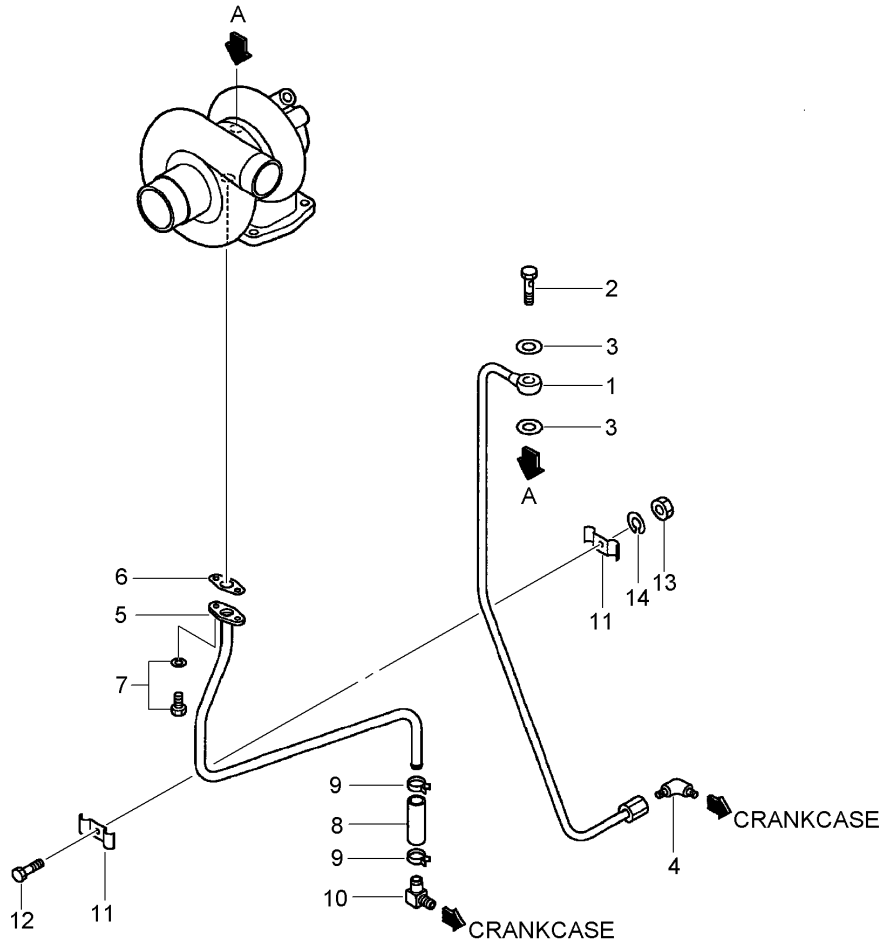
Ref	Part No.	Qty.	Description
1	99-2124	1	Turbocharger ASM
②101		2	Rivet
②102		1	Plate
②103		1	Cover-Compressor
②104		1	Cartridge ASM
②105		1	Ring-Retaining
②106		1	Coupling ASM
②107		1	Housing-Turbine
②108		1	O-Ring



Oil Pump and Oil Strainer Assembly

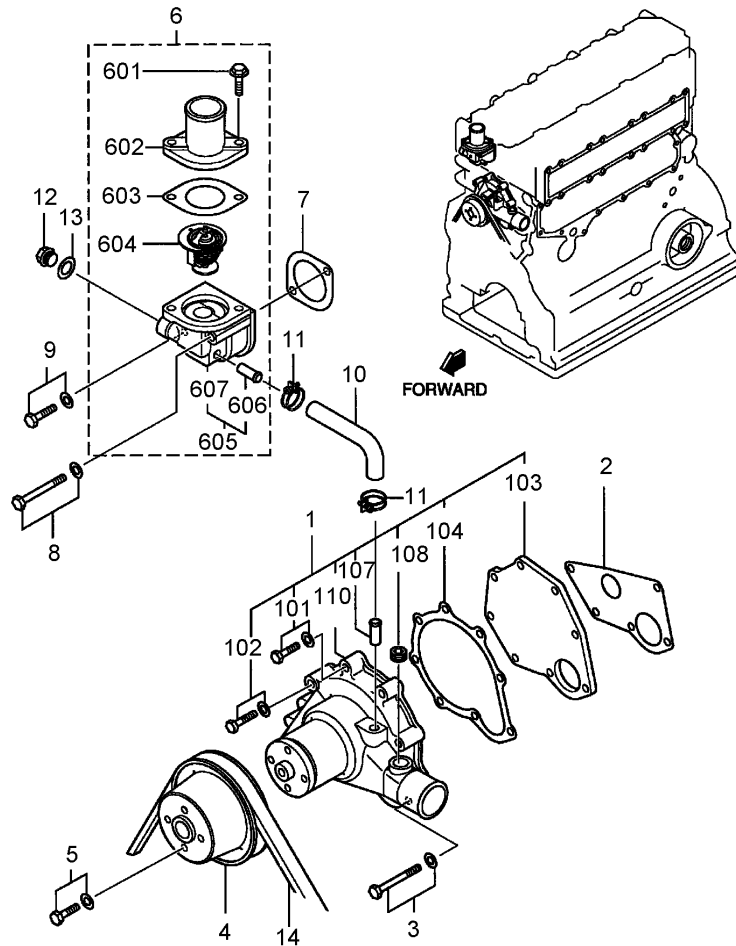
Ref	Part No.	Qty.	Description
1	107-4823	1	Oil Pump ASM
2	108-1598	1	O-Ring
3	99-1811	4	Bolt W/Washer
4	99-2129	1	Nut-Jam
5	51-6390	1	Washer
6	110-3253	1	Strainer-Oil
7	99-2131	1	O-Ring
8	99-1810	2	Bolt W/Washer
9	110-6191	1	Valve
10	99-2134	1	Gasket

--	--	--	--



Oil Pipe Assembly

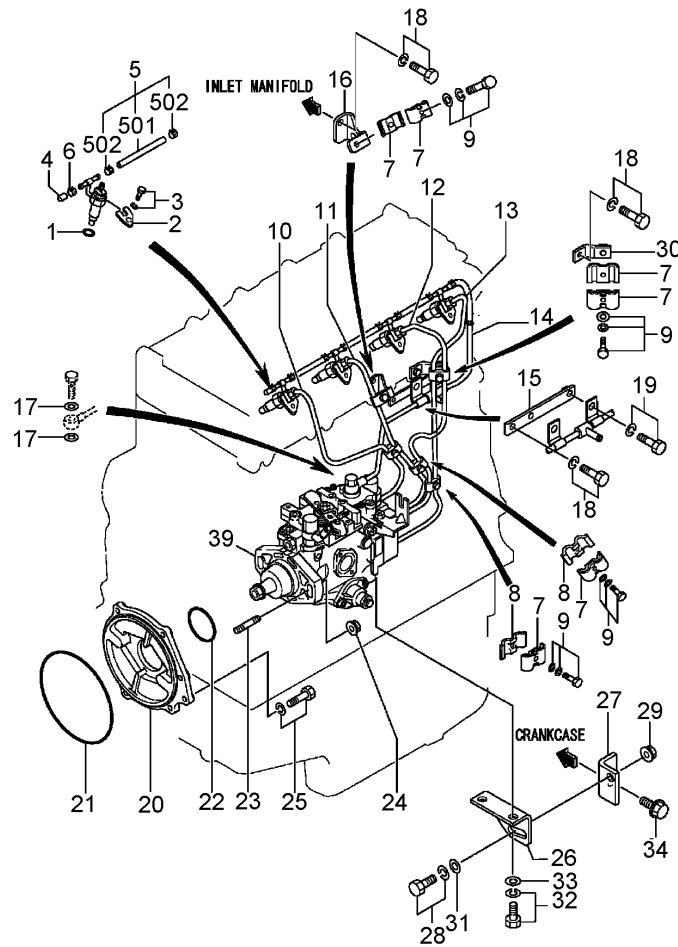
Ref	Part No.	Qty.	Description
1	99-2119	1	Pipe-Oil
2	70-4980	1	Bolt
3	70-3060	2	Gasket
4	99-2120	1	Elbow
5	99-2118	1	Pipe-Oil
6	99-2121	1	Gasket-Pipe, Oil
7	99-2122	2	Bolt W/Washer
8	99-2123	1	Hose-Oil
9	70-3090	2	Clamp
10	70-5310	1	Elbow
11	99-2125	2	Clamp
12	60-7290	1	Bolt
13	70-2960	1	Nut
14	51-7400	1	Washer



Cooling System Assembly

Ref	Part No.	Qty.	Description
1	99-2145	1	Water Pump ASM
2	99-2148	1	Gasket-Water
3	99-2150	5	Bolt W/Washer
4	99-2149	1	Pulley-Pump, Water
5	107-4827	4	Bolt
6	107-4828	1	Thermostat ASM
7	51-7210	1	Gasket
8	112-0188	1	Bolt W/Washer
9	99-2150	1	Bolt W/Washer
10	99-2152	1	Hose-Bypass
11	93-4297	1	Clamp-Hose
12	99-1812	1	Plug-Drain
13	99-1813	2	Gasket
14	107-4388	1	Belt-Edge, Raw
101	92-2133	2	Bolt-Flange
102	99-2151	1	Bolt-Flange
103	99-2146	1	Cover-Pump, Water
104	99-2147	1	Gasket-Cover, Pump
107		1	Pipe-Pump, Water
108	107-4826	1	Plug-Taper
110		1	Case-Pump, Water
601	92-2133	2	Bolt-Flange
602	99-2153	1	Cover-Thermostat
603	107-4829	1	Gasket-Thermostat

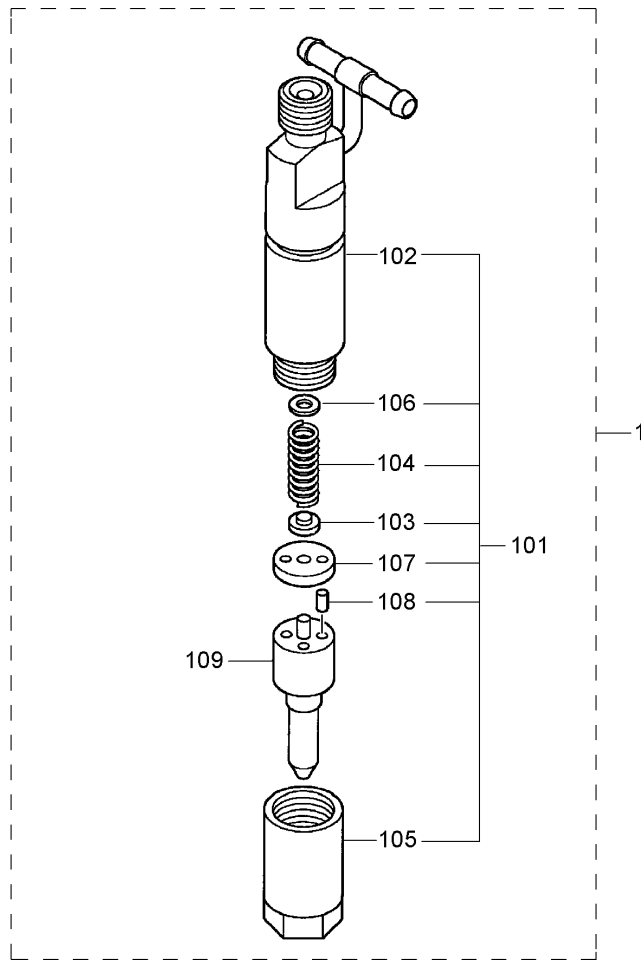
Ref	Part No.	Qty.	Description
604	99-2155	1	Thermostat
605	99-2156	1	Thermostat Case ASM
606		1	Pipe-Thermostat
607		1	Case-Thermostat



Fuel System Assembly

Ref	Part No.	Qty.	Description
1	98-7375	4	Gasket-Nozzle
2	107-4831	4	Support-Nozzle
3	99-2166	4	Bolt W/Washer
4	99-2167	1	Cap
5	99-2168	4	Oil Hose ASM
6	99-2169	1	Clip
7	56-0750	7	Clamp
8	56-0760	3	Clamp
9	99-2179	5	Bolt W/Washer
10	107-4832	1	Pipe-Injection #1
11	107-4833	1	Pipe-Injection #2
12	107-4834	1	Pipe-Injection #3
13	107-4835	1	Pipe-Injection #4
14	107-4836	1	Pipe-Return, Fuel
15	107-4837	1	Stay
16	107-4838	1	Stay-Pipe
17	107-4839	2	Washer-Sealing
18	99-1810	3	Bolt W/Washer
19	99-1825	2	Bolt W/Washer
20	108-1596	1	Flange-Pump
21	107-4840	1	O-Ring
22	107-4387	1	O-Ring
23	86-6390	2	Stud
24	107-4842	2	Nut-Flange

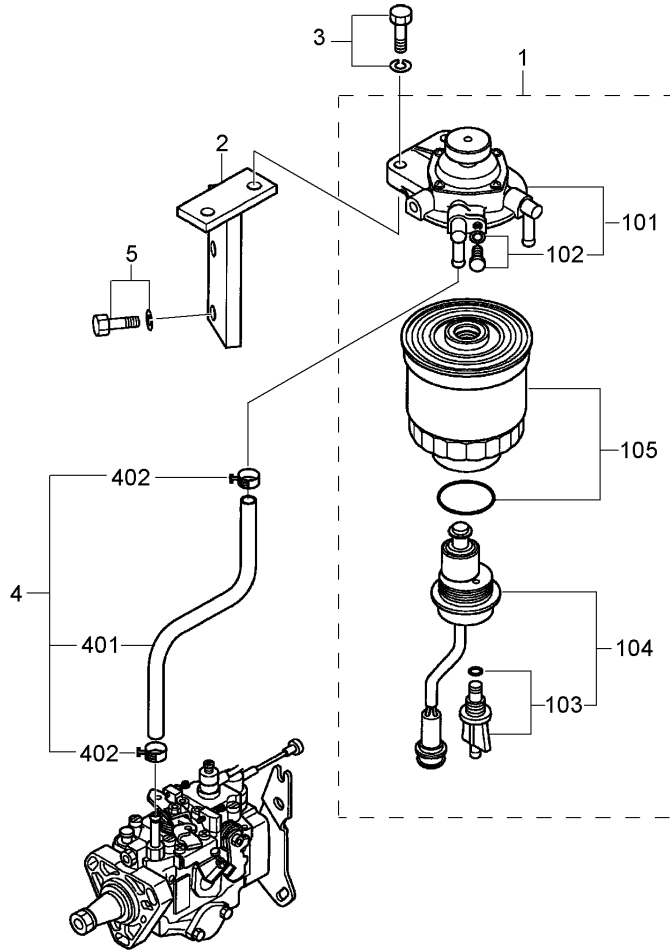
Ref	Part No.	Qty.	Description
25	99-1811	1	Bolt W/Washer
26	107-4843	1	Bracket-Pump, Injection
27	107-4844	1	Bracket-Pump, Injection
28	107-4845	1	Bolt W/Washer
29	107-4846	1	Nut-Flange
30	108-1599	1	Stay
31	108-1597	1	Washer
32	107-4849	2	Bolt W/Washer
33	70-2990	2	Washer
34	107-4847	1	Bolt-Flange
39	112-0162	1	Injection Pump ASM
501	105-0558	4	Hose
502	99-2169	8	Clip



Nozzle Assembly

Ref	Part No.	Qty.	Description
1	107-4389	4	Nozzle ASM
② 101		4	Holder ASM
② 102		4	Body Sub ASM
103	99-2280	4	Pin-Pressure
104	99-2281	4	Spring-Pressure
105	70-4840	4	Nut
106	99-2190	1	Washer
106	99-2191	1	Washer
106	99-2192	1	Washer
106	99-2193	1	Washer
106	99-2194	1	Washer
106	99-2195	1	Washer
106	99-2196	1	Washer
106	99-2197	1	Washer
106	99-2198	1	Washer
106	99-2199	1	Washer
106	99-2200	1	Washer
106	99-2201	1	Washer
106	99-2202	1	Washer
106	99-2203	1	Washer
106	70-4890	1	Washer
106	70-4900	1	Washer
106	99-2204	1	Washer
106	99-2205	1	Washer

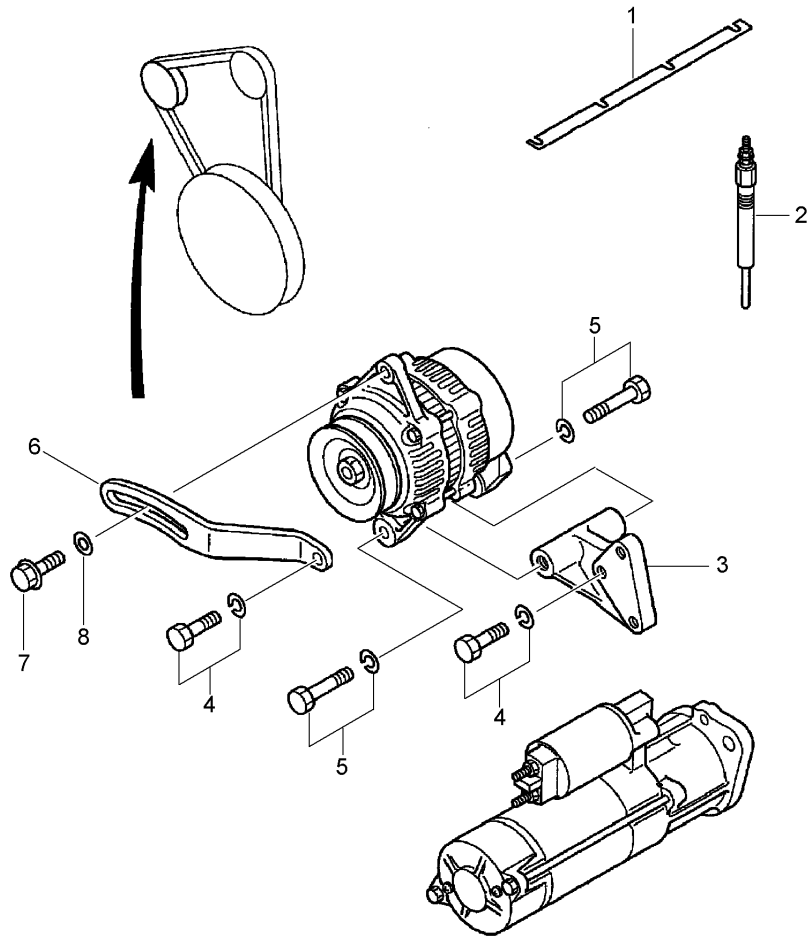
Ref	Part No.	Qty.	Description
106	99-2206	1	Washer
106	70-4920	1	Washer
106	99-2207	1	Washer
106	107-4390	1	Washer
106	99-2208	1	Washer
106	99-2209	1	Washer
106	99-2210	1	Washer
106	99-2211	1	Washer
106	99-2212	1	Washer
106	99-2213	1	Washer
106	99-2214	1	Washer
106	99-2215	1	Washer
106	99-2216	1	Washer
106	70-4860	1	Washer
106	70-4870	1	Washer
106	70-4880	1	Washer
107	99-2218	4	Packing
108	70-6830	8	Pin
109	107-4391	4	Nozzle Tip ASM



Fuel Filter Assembly

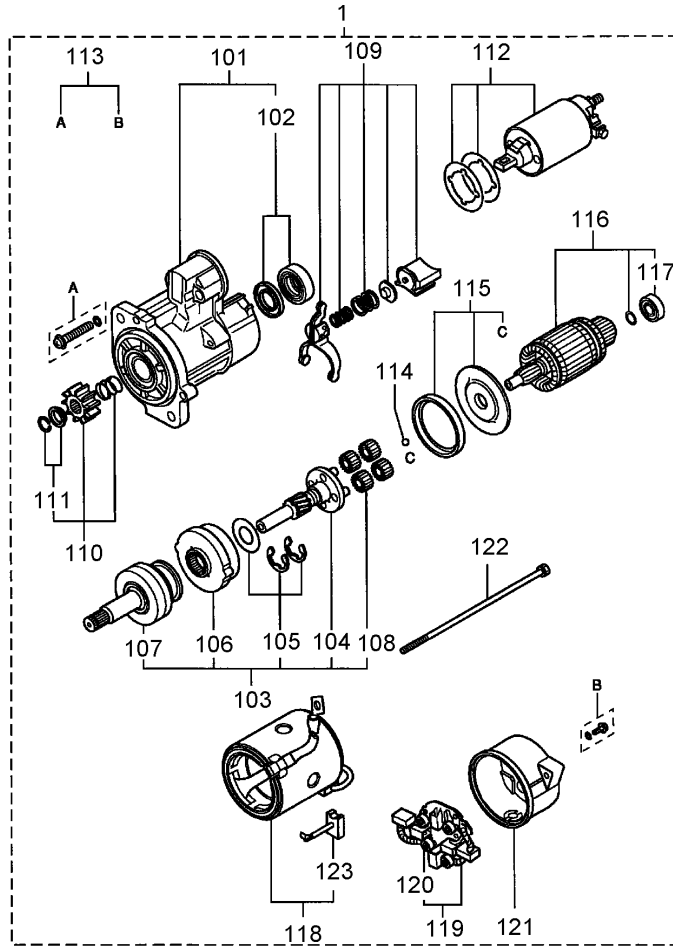
Ref	Part No.	Qty.	Description
1	107-4392	1	Fuel Filter ASM
2	107-4396	1	Bracket-Filter, Fuel
3	99-2166	2	Bolt W/Washer
4	107-4397	1	Fuel Hose ASM
5	99-1811	2	Bolt W/Washer
②101		1	Body ASM
102	107-4393	1	Air Plug Set
②103		1	Plug-Drain
104	107-4394	1	Sensor ASM
105	107-4395	1	Element-Filter
②401		1	Hose-Fuel
402	56-1400	2	Clip-Hose

--	--	--	--



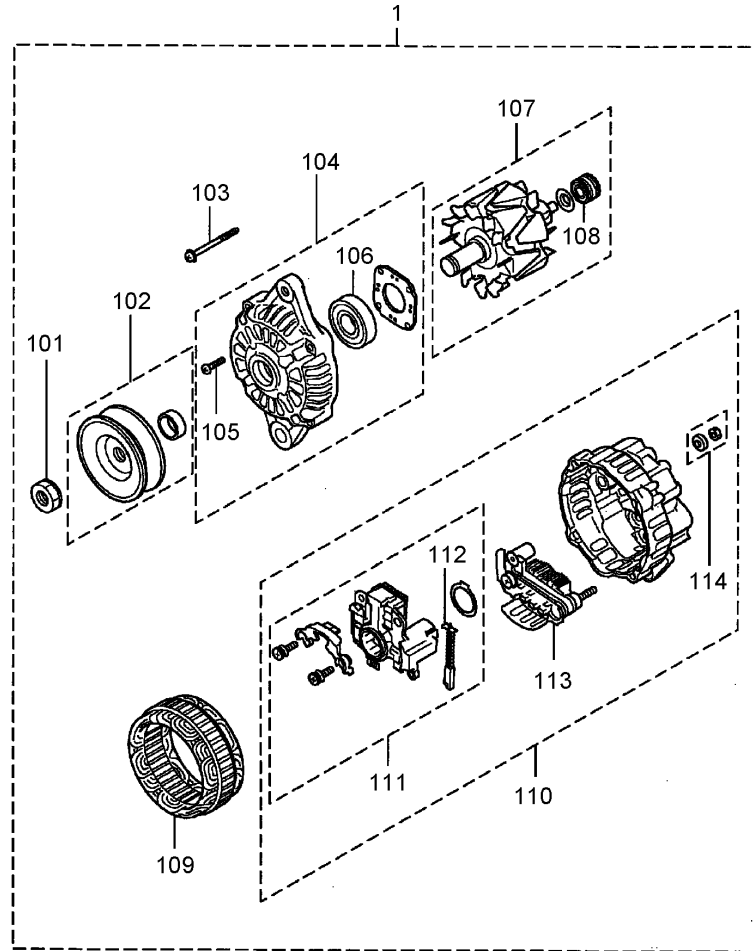
Electrical Component Assembly

Ref	Part No.	Qty.	Description	
1	99-2265	1	Plate-Connection	
2	99-2266	4	Plug-Glow	
3	99-2268	1	Bracket-Alternator	
4	99-1811	2	Bolt W/Washer	
5	99-1857	2	Bolt W/Washer	
6	99-2270	1	Plate-Adjusting	
7	67-4660	1	Bolt-Flange	
8	54-8660	1	Washer	



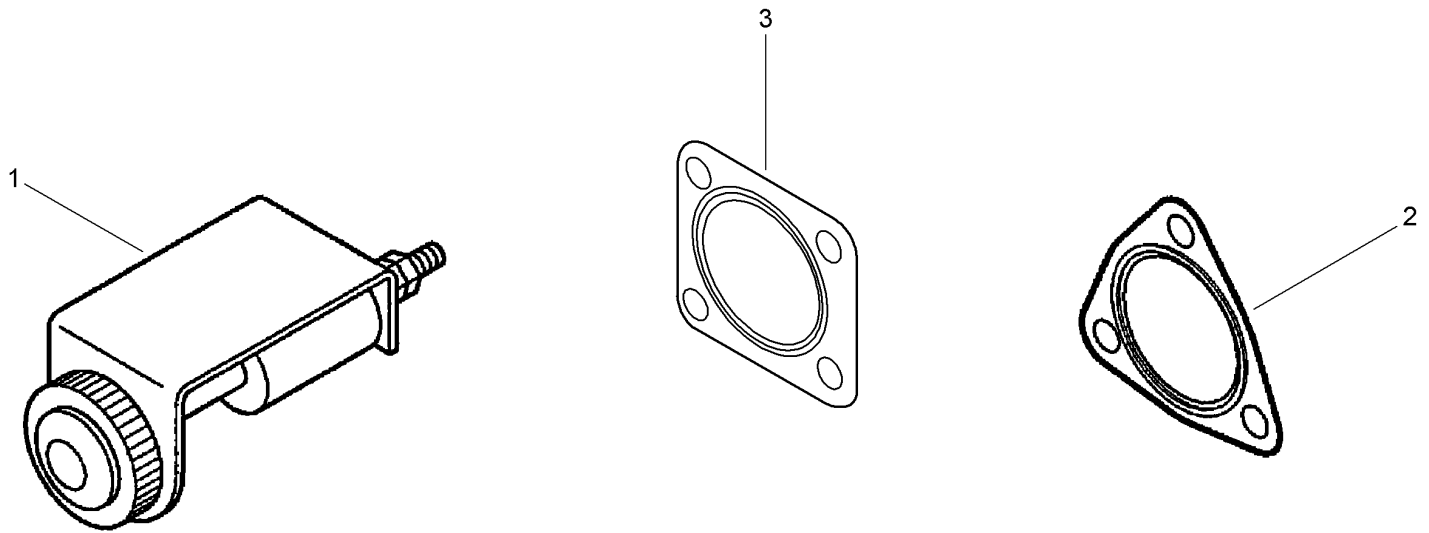
Starter Assembly

Ref	Part No.	Qty.	Description				
1	112-7022	1	Starter ASM				
101	104-8610	1	Front Bracket ASM				
102	104-8611	1	Bearing Set				
103	104-8612	1	Clutch Shaft ASM				
104	104-8613	1	Gear Shaft ASM				
105	104-8614	1	Washer Set				
106	104-8615	1	Internal Gear ASM				
107	104-8616	1	Clutch-Running, Over				
108	104-8617	1	Gear ASM				
109	104-8618	1	Lever ASM				
110	104-8619	1	Pinion Set				
111	51-7740	1	Stopper Set				
112	104-8620	1	Switch ASM				
113	104-8621	1	Screw Set				
114	104-8622	1	Ball				
115	104-8623	1	Packing Set				
116	104-8624	1	Armature Set				
117	107-4398	1	Bearing				
118	104-8625	1	Yoke ASM				
119	104-8626	1	Brush Holder ASM				
120	104-8627	4	Spring-Brush				
121	104-8628	1	Rear Bracket ASM				
122	93-3687	1	Bolt Set				
123	104-8629	2	Brush				



Alternator Assembly

Ref	Part No.	Qty.	Description				
1	112-7024	1	Alternator ASM				
101	93-3578	1	Nut-Set				
102	108-2890	1	Pulley ASM				
103	93-3580	1	Bolt Set				
104	108-2891	1	Front Bracket ASM				
105	108-2892	1	Screw Set				
106	108-2893	1	Bearing, Front				
107	108-2894	1	Rotor ASM				
108	98-2932	1	Bearing-Rear				
109	108-2895	1	Stator ASM				
110	108-2896	1	Rear Bracket ASM				
111	108-2897	1	Regulator Set				
112	93-3589	1	Brush				
113	108-2898	1	Rectifier Set				
114	108-2899	1	Nut Set				



Indicator and Gasket Assembly

Ref	Part No.	Qty.	Description
1	99-2276	1	Indicator ASM
2	99-2277	1	Gasket
3	99-1809	1	Gasket-Head, Rear
99	112-8418	1	Gasket Kit

Attachments and Accessories

For 30582 - Groundsmaster 580-D

Product Name	Model/Part
Cylinder Head, Complete (Bolt On, Tier 2)	107-1176
11 Blade Service Pack, 20 Inch	108-1453
Driveshaft Replacement Kit	108-8045
Bellhousing Support Kit	108-8046
Gear Pump Replacement Kit	108-8047
Hardline Replacement Kit	110-3252
Alteration-Cowl	110-3261
Tire-Optional (32 x 11.5)	110-6121
Mulcher Kit	30588
Left Hand Replacement Mower	30591
Front Replacement Mower	30592
Right Hand Replacement Mower	30593
Four Wheel Drive Kit	30601
Road Light Kit	30613
Flow Combining Kit	30614
Air Conditioner Mounting Kit	30615
Air Ride Seat Suspension Kit	30621
Premium Seat Kit	30622
CE Update Kit	94-9800

NOTES

