



21in Heavy-Duty Lawn Mower

Model No. 22193 - 280000001 and up.

Parts Catalog

Ordering Replacement Parts

To order replacement parts, please supply the part number, the quantity, and the description of each part desired.

Understanding Reference Numbers

Each identified part in an illustration has a reference number. The reference number for a part also appears in the parts list, along with other information about the part.

This catalog uses two special reference number formats, one to indicate parts in a service assembly and another to indicate the quantity of a given part in an illustration.

Service Assembly Reference Numbers

Parts in service assemblies have reference numbers in the form a:b. The a represents the reference number of the entire service assembly and the b represents a sequential number unique to each part within the service assembly.

For example, a wheel assembly might be identified by reference number 6, the tire by 6:1, the valve by 6:2, and the wheel by 6:3. When you order the assembly identified by reference number 6, you receive all parts identified by reference numbers 6:1, 6:2, and 6:3. However, you may also order any part individually. Reference numbers of this type appear in illustrations and in part lists.

Reference Numbers Indicating Quantity

In an illustration, if a reference number indicates more than one part, the reference number has the form nX y. The n represents the quantity of the part, the X is the multiplication symbol, and the y represents the reference number.

For example, in an illustration, the reference number 2X 37 means that two of the parts identified by reference number 37 are indicated.

Contents

Description	Page	Description	Page
Housing Assembly 3	Cooling Equipment Assembly Kawasaki FJ180V-AS34 13
Housing Assembly No. 108-4750 4	Electric Equipment Assembly Kawasaki FJ180V-AS34 14
Height-of-Cut Assembly 5	Control Equipment Assembly Kawasaki FJ180V-AS34 15
Wheel and Tire Assembly No. 100-2870 6	Carburetor Assembly Kawasaki FJ180V-AS34 16
Engine and Blade Assembly 7	Air Filter and Muffler Assembly Kawasaki FJ180V-AS34 17
Handle Assembly 8	Fuel Tank and Fuel Valve Assembly Kawasaki FJ180V-AS34 18
Cylinder and Crankcase Assembly Kawasaki FJ180V-AS34 9	Starter Assembly Kawasaki FJ180V-AS34 19
Piston and Crankshaft Assembly Kawasaki FJ180V-AS34 10	Brake and Cover Assembly Kawasaki FJ180V-AS34 20
Valve and Camshaft Assembly Kawasaki FJ180V-AS34 11	Label Assembly Kawasaki FJ180V-AS34 21
Lubrication Equipment Assembly Kawasaki FJ180V-AS34 12	Attachments and Accessories List 22

Part Description Abbreviations

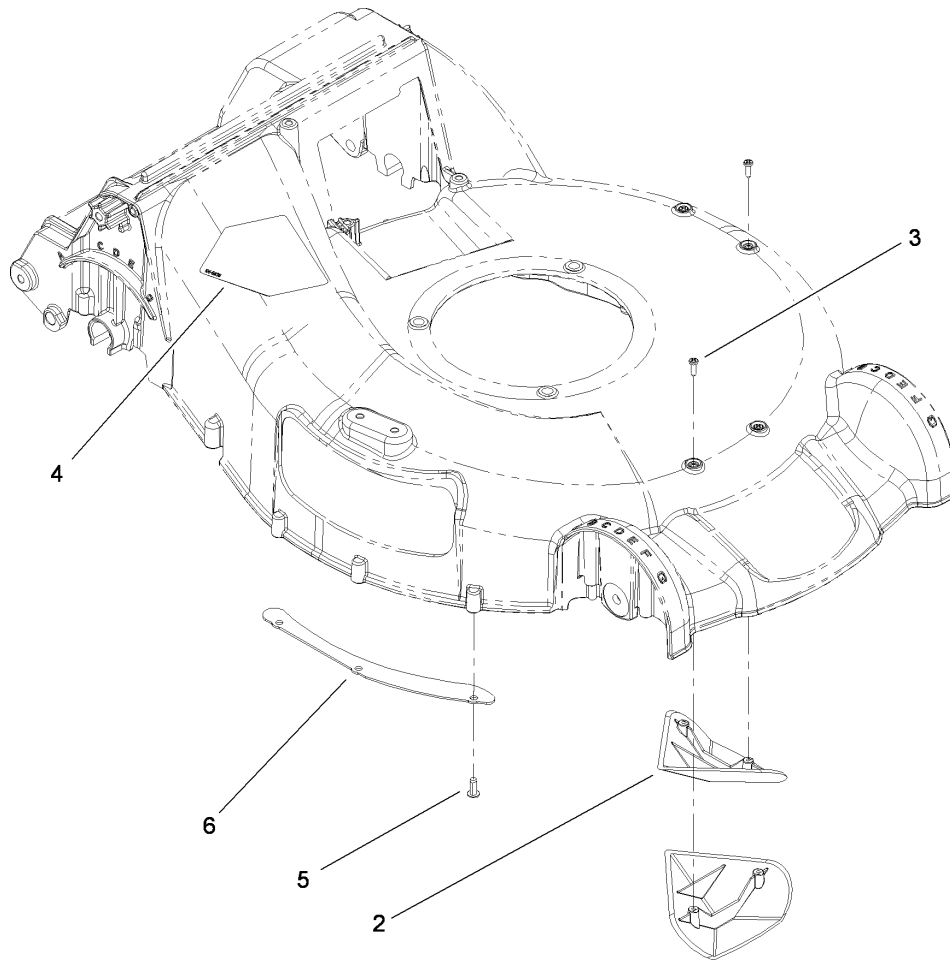
Part descriptions in this catalog may include the following abbreviations.

AR. as required	HYD. hydraulic
ASM. assembly	LH. left hand
BBC. blade brake clutch	NI. nylon insert
CARR. carriage	NPTF. national pipe thread fine
DEG. degrees	PFH. phillips flat head
EXT. external	PPH. phillips pan head
FH. flat head	PPHTF. phillips pan head thread forming
GA. gauge	PRH. phillips round head
HD. heavy-duty	PTH. phillips truss head
HF. hex flange	PTO. power-take-off
HH. hex head	RH. right hand
HHF. hex head flange	ROPS. roll-over protection system
HHFTF. hex head flange thread forming	SFH. slotted fillister head
HJ. hex jam	SHH. slotted hex head
HLH. hex lag head	SHWH. slotted hex washer head
HOC. height-of-cut	SPH. slotted pan head
HSBH. hex socket button head	SQH. square head
HSFH. hex socket flat head	SRH. slotted round head
HSH. hex socket head	STD. standard
HWH. hex washer head	TAP. self tapping
HWHTF. hex washer head thread forming	TTH. torx truss head

Footnotes

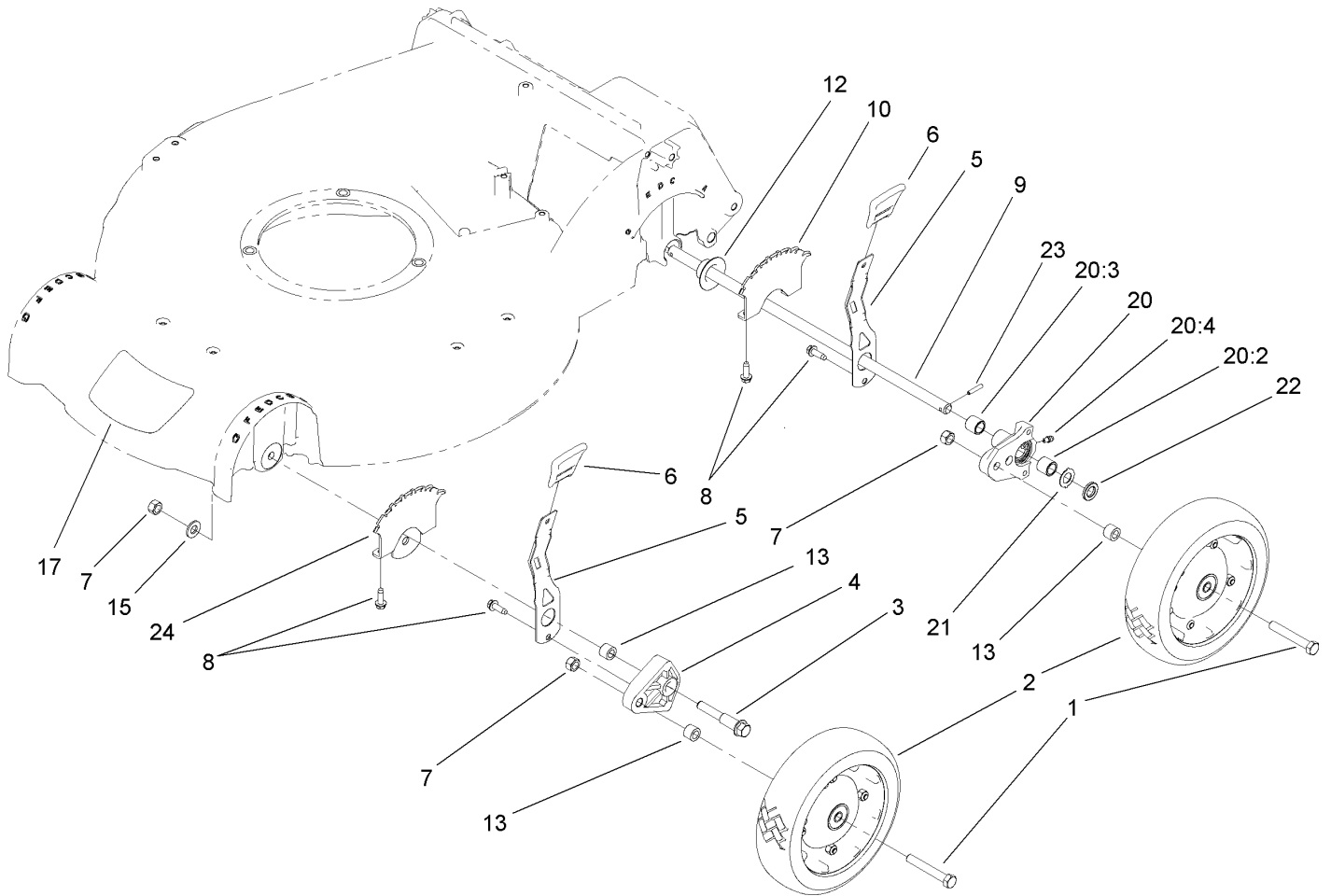
❶ Not serviced separately

❷ Obtain from your local Kawasaki dealer



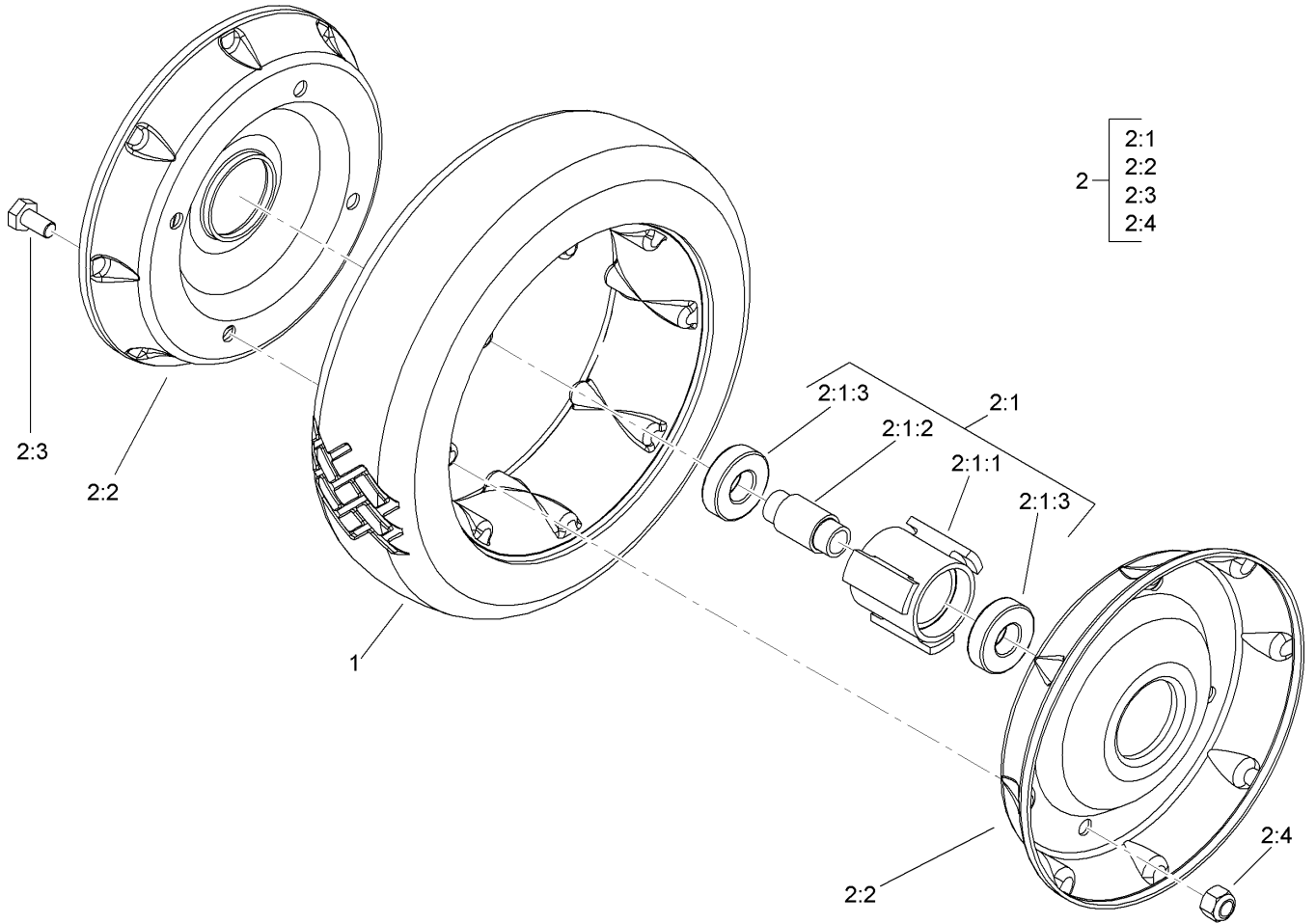
Housing Assembly No. 108-4750

Ref	Part No.	Qty.	Description				
2	108-3798	2	Kicker-Housing				
3	32144-111	4	Screw-PPH				
4	112-8760	1	Decal-Danger				
5	63-8590	3	Screw				
6	105-1316-03	1	Sheet-Lip				



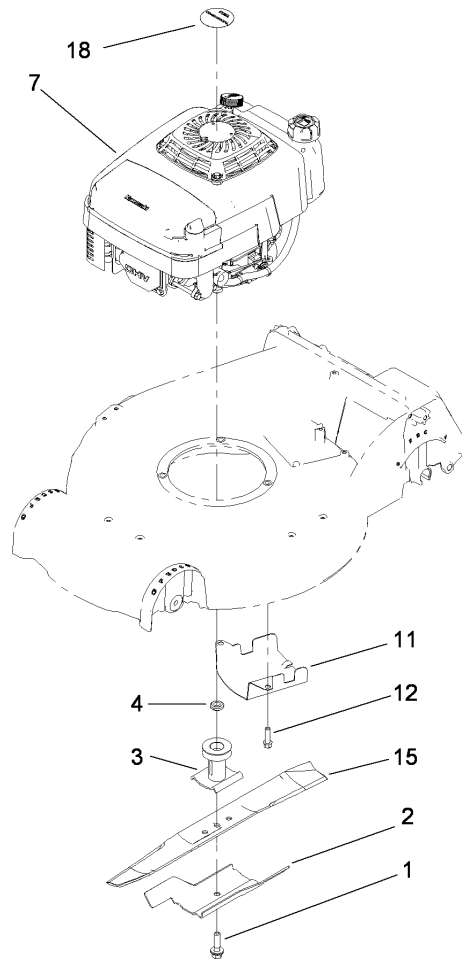
Height-of-Cut Assembly

Ref	Part No.	Qty.	Description
1	323-12	4	Screw-HH
2	100-2870	4	Wheel And Tire ASM
3	114-3467	2	Screw-Shoulder
4	107-7492	2	Arm-Pivot
5	107-7491	4	Arm-Spring
6	110-0549	4	Knob-HOC
7	603773	6	Nut
8	49-2040	10	Screw-HWHTF
9	49-8790	1	Shaft-Axle, Rear
10	107-7478	2	Plate-HOC
12	42-3520	2	Cap-End
13	52-2480	6	Spacer-Wheel
15	3256-24	2	Washer-Flat
17	110-4929	1	Decal-Housing, Front
20	100-8774	2	Pivot Arm ASM
20:2	47-2900	1	Bushing
20:3	70-9760	1	Bushing
20:4	302-56	1	Fitting-Grease
21	65-4730	2	Washer-Arm, Pivot
22	108-5059	2	Spacer-Bushing
23	32121-108	2	Pin-Spirol
24	110-4920-03	2	Bracket-Support



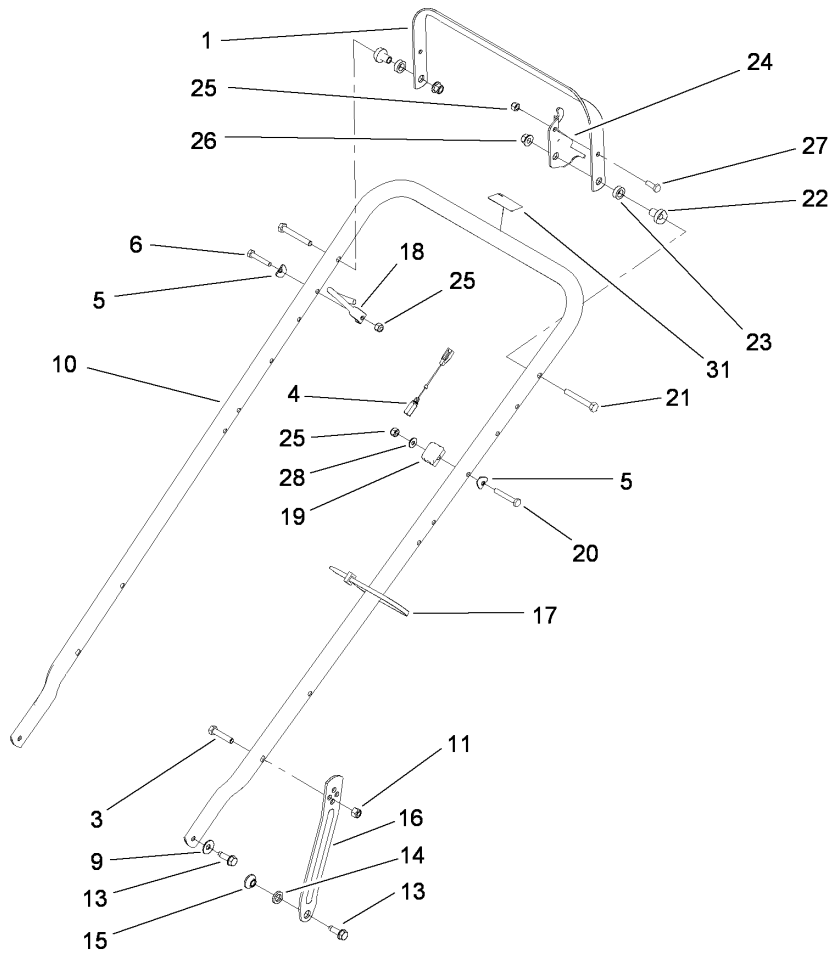
Wheel and Tire Assembly No. 100-2870

Ref	Part No.	Qty.	Description
1	53-7740	1	Tire
2		1	Wheel ASM
2:1		1	Hub And Bearing ASM
2:1:1	52-2410	1	Hub-Bearing
2:1:2	52-2440	1	Spacer-Bearing
2:1:3	52-2450	2	Bearing-Wheel
2:2	53-7780-06	2	Plate-Wheel, Half
2:3	321-2	4	Screw-HH
2:4	3296-42	4	Nut-Lock, NI



Engine and Blade Assembly

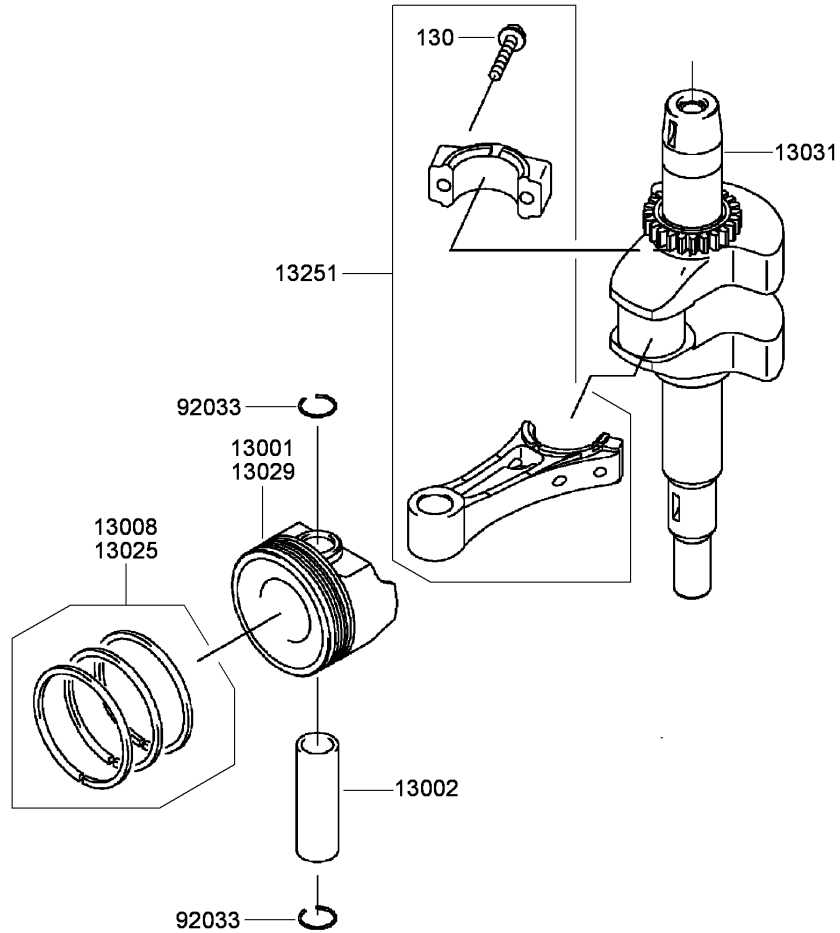
Ref	Part No.	Qty.	Description				
1	105-8579	1	Bolt-Blade				
2	105-6848-03	1	Accelerator-Blade				
3	106-3987	1	Blade Driver ASM				
4	106-3999	1	Spacer-Driver				
1 27		1	Engine-Kawasaki, Fj180V-As34				
11	107-7489-03	1	Shield-Grass				
12	95-1727	3	Screw-Taptite				
15	108-3759-03	1	Blade-Bagging				
15	108-3762-03	1	Blade-Recycling				
18	112-9966	1	Decal				



Handle Assembly

Ref	Part No.	Qty.	Description
1	61-8270-03	1	Bar-Control
3	92-4095	2	Screw-Handle
4	110-4937	1	Brake Cable ASM
5	3-7501	2	Washer
6	321-10	1	Screw-HH
9	3290-456	2	Washer-Belleville
10	114-3493-03	1	Handle
11	3296-29	2	Nut-Lock, NI
13	701243	4	Screw-HWHTF
14	55-9670	2	Washer
15	27-6600	2	Spacer-Coupling
16	108-8145-03	2	Support-Handle
17	614249	2	Strap-Tie
18	46-8081	1	Guide-Rope
19	92-7729	1	Anchor-Cable, Upper
20	321-50	1	Screw-HH
21	322-11	2	Screw-HH
22	49-1630	2	Spacer-Support
23	256-276	2	Spacer-Nylon
24	66-5350	1	Lever-Control
25	3296-42	3	Nut-Lock, NI
26	3296-58	2	Nut-Lock, NI
27	321-4	1	Screw-HH
28	3256-1	1	Washer-Flat

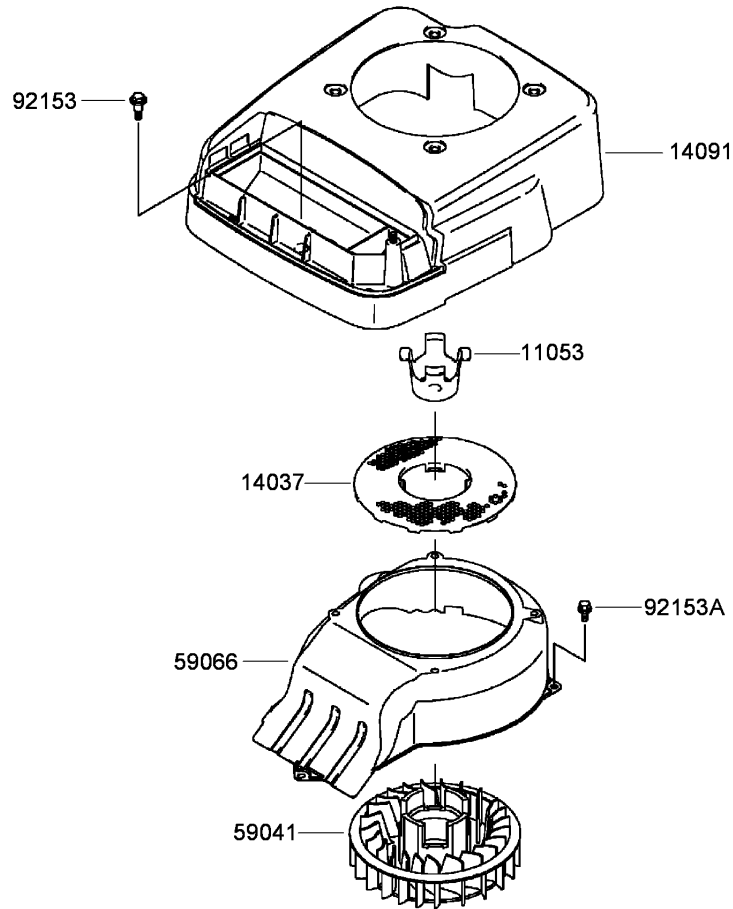
Ref	Part No.	Qty.	Description
31	98-4387	1	Decal-Protection, Ear



Piston and Crankshaft Assembly Kawasaki FJ180V-AS34

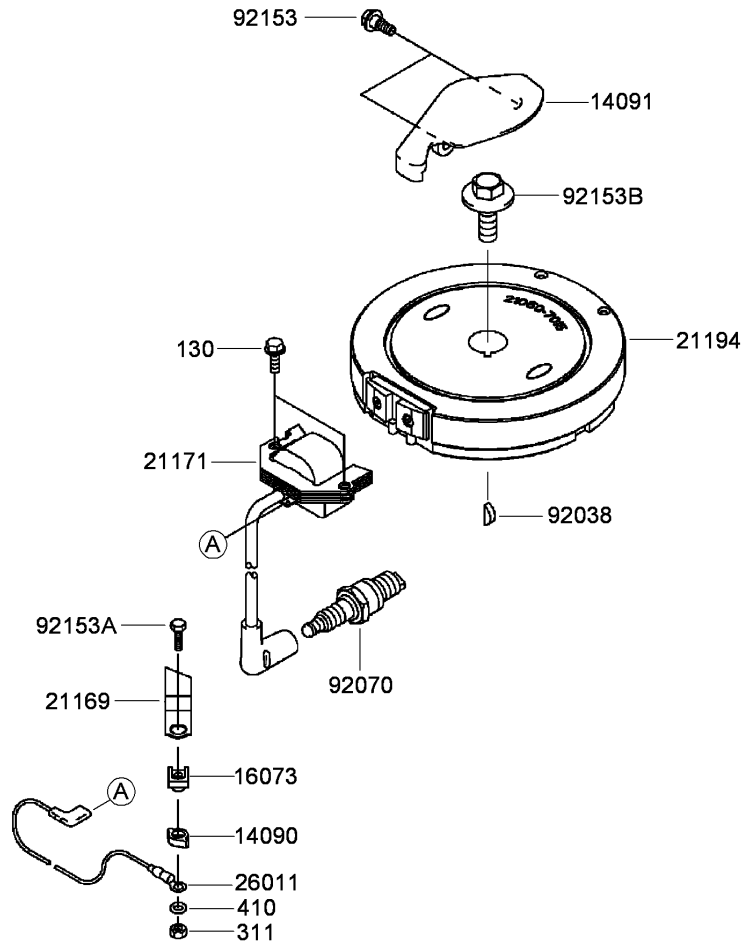
Ref	Part No.	Qty.	Description
②13001	13001-7023	1	Piston-Engine
②13002	13002-7001	1	Pin-Piston
②13008	13008-7002	1	Piston Ring Set
②13025	13025-7006	1	Piston Ring Set (L 0.50)
②13029	13029-7005	1	Piston-Engine (L 0.50)
②13031	13031-7064	1	Crankshaft
②13251	13251-7011	1	Connecting Rod ASM
②92033	92033-7002	2	Ring-Snap
②130	130G0630	2	Bolt-Flanged (6X30)

--	--	--	--



Cooling Equipment Assembly Kawasaki FJ180V-AS34

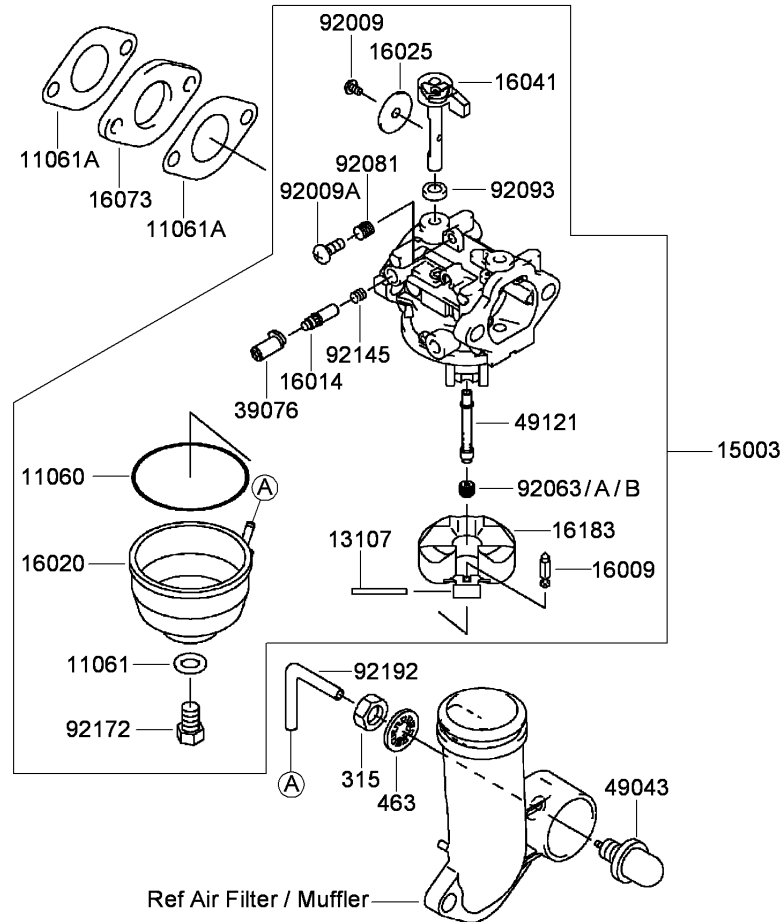
Ref	Part No.	Qty.	Description				
②11053	11053-7009	1	Bracket-Fan				
②14037	14037-7017	1	Screen				
②14091	14091-7046	1	Cover				
②59041	59041-7009	1	Fan				
②59066	59066-7016	1	Housing-Fan				
②92153	92153-7008	1	Bolt				
②92153A	92153-7043	1	Bolt (6X12)				



Electric Equipment Assembly Kawasaki FJ180V-AS34

Ref	Part No.	Qty.	Description
②14090	14090-2108	1	Cover
②14091	14091-7036	1	Cover
②16073	16073-2192	1	Insulator
②21169	21169-2071	1	Terminal
②21171	21171-7030	1	Ignition Coil ASM
②21194	21194-7024	1	Flywheel
②26011	26011-7013	1	Wire-Lead
②92038	92038-2077	1	Key
②92070	92070-2088	1	Spark Plug, B P R 5E S (N G K) Solid
②92153	92153-7007	2	Bolt
②92153A	92153-7012	1	Bolt (4X16)
②92153B	92153-7030	1	Bolt (12X30)
②130	130B0620	2	Bolt-Flanged (6X20)
②311	311B0400	1	Nut-Hex (4Mm)
②410	410B0400	1	Washer-Plain, S (4Mm)

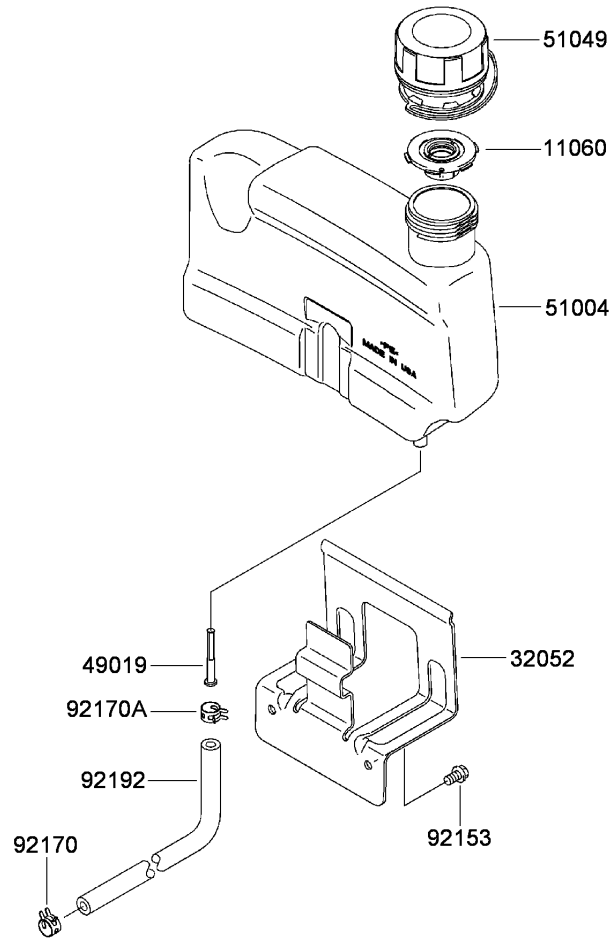
--	--	--	--



Carburetor Assembly Kawasaki FJ180V-AS34

Ref	Part No.	Qty.	Description
②11060	11060-2190	1	Gasket
②11061	11061-7010	1	Gasket-Screw
②11061A	11061-7015	2	Gasket-Insulator
②13107	13107-7024	1	Shaft
②15003	15003-7133	1	Carburetor ASM
②16009	16009-2136	1	Needle-Jet
②16014	16014-7008	1	Screw-Air, Pilot
②16020	16020-7005	1	Chamber-Float
②16025	16025-7007	1	Valve-Throttle
②16041	16041-7019	1	Shaft-Carburetor
②16073	16073-7006	1	Insulator
②16183	16183-2002	1	Float ASM
②39076	39076-7001	1	Limiter
②49043	49043-7002	1	Pump-Priming
②49121	49121-7012	1	Nozzle-Main
②92009	92009-2083	1	Screw
②92009A	92009-2349	1	Screw
②92063	92063-7048	1	Jet-Main, No. 76 (6,3280 Ft)
②92063A	92063-7049	1	Jet-Main, No. 74 (74,6560 Ft)
②92063B	92063-7061	1	Jet-Main, No. 78
②92081	92081-2234	1	Spring
②92093	92093-2100	1	Seal
②92145	92145-7015	1	Spring
②92172	92172-7023	1	Screw

Ref	Part No.	Qty.	Description
②92192	92192-7074	1	Tube (2.2X7.3X65)
②315	315B1000	1	Nut-Hex, Fine (10Mm)
②463	463H1000	1	Washer-Toothed (10Mm)



Fuel Tank and Fuel Valve Assembly Kawasaki FJ180V-AS34

Ref	Part No.	Qty.	Description				
②11060	11060-2145	1	Gasket				
②32052	32052-7001	1	Bracket-Tank				
②49019	49019-7003	1	Filter-Fuel				
②51004	51004-7004	1	Tank-Fuel				
②51049	51049-7004	1	Cap-Tank				
②92153	92153-7023	2	Bolt (6X10)				
②92170	92170-2009	1	Clamp				
②92170A	92170-2088	1	Clamp				
②92192	92192-7033	1	Tube (6.35X12.7X330)				

Attachments and Accessories

For 22193 - 21in Heavy-Duty Lawn Mower

Product Name

Model/Part

Rear Bag Kit 22159

NOTES

