



## Groundsmaster<sup>®</sup> 7210 with 72in Side Discharge Mower

Model No. 30363TC - 280000001 and up.

### Parts Catalog

---

#### Ordering Replacement Parts

To order replacement parts, please supply the part number, the quantity, and the description of each part desired.

#### Understanding Reference Numbers

Each identified part in an illustration has a reference number. The reference number for a part also appears in the parts list, along with other information about the part.

This catalog uses two special reference number formats, one to indicate parts in a service assembly and another to indicate the quantity of a given part in an illustration.

#### Service Assembly Reference Numbers

Parts in service assemblies have reference numbers in the form a:b. The a represents the reference number of the entire service assembly and the b represents a sequential number unique to each part within the service assembly.

For example, a wheel assembly might be identified by reference number 6, the tire by 6:1, the valve by 6:2, and the wheel by 6:3. When you order the assembly identified by reference number 6, you receive all parts identified by reference numbers 6:1, 6:2, and 6:3. However, you may also order any part individually. Reference numbers of this type appear in illustrations and in part lists.

#### Reference Numbers Indicating Quantity

In an illustration, if a reference number indicates more than one part, the reference number has the form nX y. The n represents the quantity of the part, the X is the multiplication symbol, and the y represents the reference number.

For example, in an illustration, the reference number 2X 37 means that two of the parts identified by reference number 37 are indicated.

# Contents

<b>Description</b>	<b>Page</b>	<b>Description</b>	<b>Page</b>
Frame Assembly	..... 4	Spindle Assembly No. 108-1957	..... 39
Radiator Assembly	..... 5	Spindle Assembly No. 110-6382	..... 40
Control Panel Assembly	..... 6	Spindle Assembly No. 110-6381	..... 41
Transmission Assembly	..... 7	Roller and Baffle Assembly	..... 42
Hydraulic Gear Pump Assembly No. 112-9542	..... 8	Spindle and Blade Assembly	..... 43
Charge Pump Housing Assembly		Belt Cover, Gearbox and Baffle Assembly	..... 44
Transmission Assembly No. 107-0801	..... 9	Rubber Deflector Assembly No. 108-2792	..... 45
Center Section Assembly Transmission		Gearbox Assembly No. 110-6386-03	..... 46
Assembly No. 107-0801	..... 10	Adjustment Link and Bumper Assembly	..... 47
Gear Case and Clutch Assembly		Crankcase Assembly	..... 48
Transmission Assembly No. 107-0801	..... 11	Oil Pan Assembly	..... 49
Traction Control Assembly	..... 12	Cylinder Head Assembly	..... 50
Engine Component Assembly	..... 13	Head Cover Assembly	..... 51
Air Cleaner Assembly No. 104-3428	..... 14	Gear Case Assembly	..... 52
Engine, Muffler and Shield Assembly	..... 15	Main Bearing Case Assembly	..... 53
Hydraulic Assembly	..... 16	Camshaft and Idle Gear Shaft Assembly	..... 54
Parking Brake Assembly	..... 17	Piston and Crankshaft Assembly	..... 55
Electrical Assembly	..... 18	Flywheel Assembly	..... 56
Hood Assembly	..... 19	Fuel Camshaft and Governor Shaft Assembly	..... 57
Fuel Tank Assembly	..... 20	Idle Apparatus Assembly	..... 58
Seat Assembly	..... 21	Injection Pump Assembly	..... 59
Seat Assembly No. 107-2286	..... 22	Governor Assembly	..... 60
Driveshaft Assembly	..... 23	Speed Control Plate Assembly	..... 61
Driveshaft Assembly No. 110-3575	..... 24	Nozzle Holder and Glow Plug Assembly	..... 62
Rear Drive Assembly	..... 25	Nozzle Holder Assembly	..... 63
Hydraulic Motor Assembly No. 108-5230	..... 26	Alternator and Pulley Assembly	..... 64
Hydraulic Motor Assembly No. 108-5155	..... 27	Alternator Components Assembly	..... 65
Carrier Frame and Valve Assembly	..... 28	Starter (Component Part) Assembly No. 98-9705	..... 66
Carrier Frame Kit Assembly No. 114-4087	..... 29	Water Flange and Thermostat Assembly	..... 67
Carrier Frame Assembly	..... 30	Water Pump Assembly	..... 68
Hydraulic Cylinder Assembly No. 110-9834	..... 31	Inlet and Exhaust Manifold Assembly	..... 69
Hydraulic Valve Assembly No. 114-2877	..... 32	Valve and Rocker Arm Assembly	..... 70
Caster Fork Assembly	..... 33	Turbo Charger Assembly	..... 71
Caster Wheel Assembly No. 108-9954	..... 34	Turbo Charger Oil Pipe Assembly	..... 72
Deck Linkage Assembly	..... 35	Oil Cooler Assembly	..... 73
Roll-Over Protection System and Rear Wheel		Gasket Kit	..... 74
Assembly	..... 36	Electric Fuel Pump, Fuel Filter, Starter and	
Belt and Pulley Assembly	..... 37	Overflow Bottle Assemblies	..... 75
Deck Decal Assembly No. 108-9901	..... 38	Attachments and Accessories List	..... 76

## Part Description Abbreviations

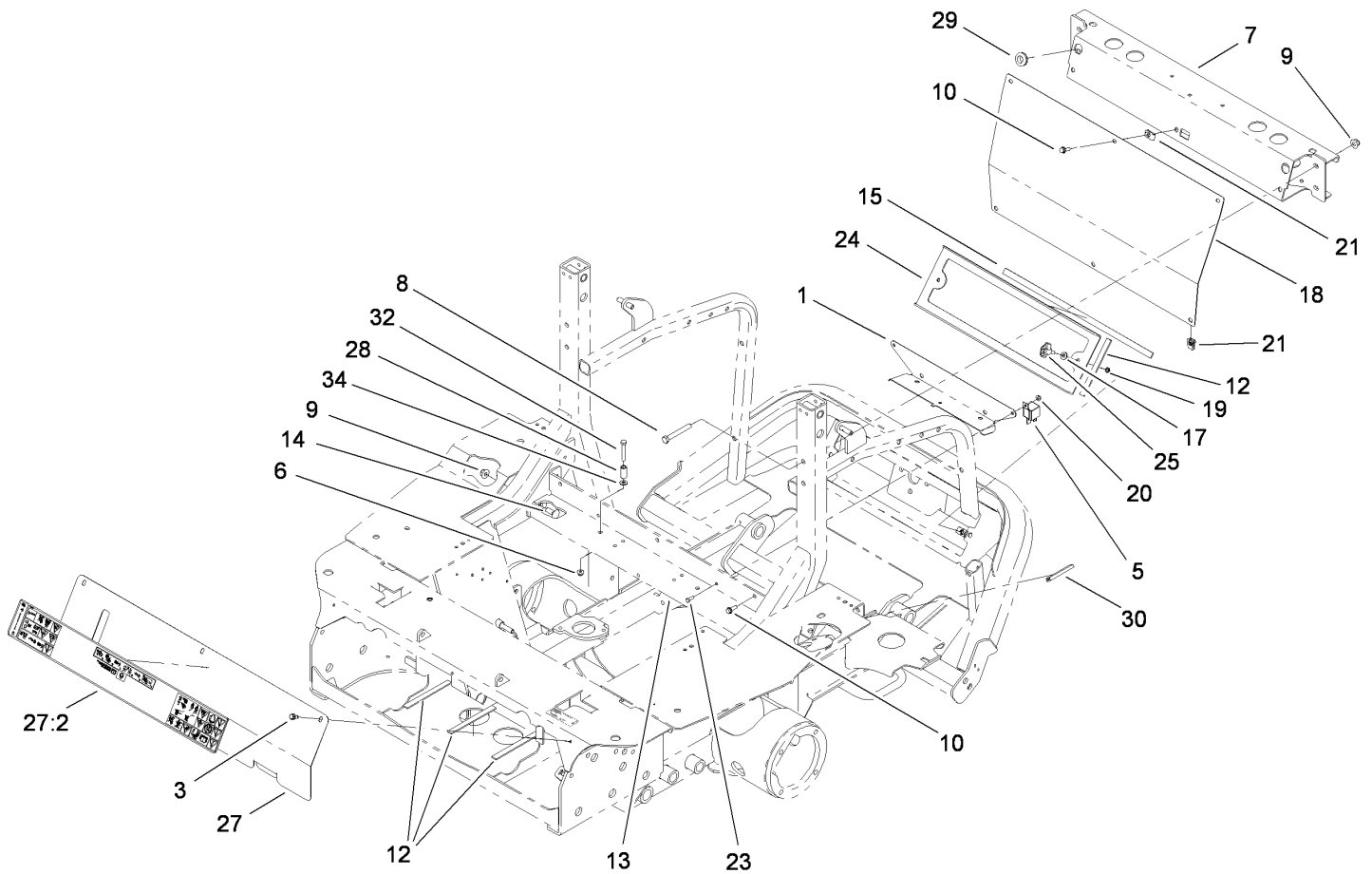
Part descriptions in this catalog may include the following abbreviations.

AR. ....	as required	HYD. ....	hydraulic
ASM. ....	assembly	LH. ....	left hand
BBC. ....	blade brake clutch	NI. ....	nylon insert
CARR. ....	carriage	NPTF. ....	national pipe thread fine
DEG. ....	degrees	PFH. ....	phillips flat head
EXT. ....	external	PPH. ....	phillips pan head
FH. ....	flat head	PPHTF. ....	phillips pan head thread forming
GA. ....	gauge	PRH. ....	phillips round head
HD. ....	heavy-duty	PTH. ....	phillips truss head
HF. ....	hex flange	PTO. ....	power-take-off
HH. ....	hex head	RH. ....	right hand
HHF. ....	hex head flange	ROPS. ....	roll-over protection system
HHFTF. ....	hex head flange thread forming	SFH. ....	slotted fillister head
HJ. ....	hex jam	SHH. ....	slotted hex head
HLH. ....	hex lag head	SHWH. ....	slotted hex washer head
HOC. ....	height-of-cut	SPH. ....	slotted pan head
HSBH. ....	hex socket button head	SQH. ....	square head
HSFH. ....	hex socket flat head	SRH. ....	slotted round head
HSH. ....	hex socket head	STD. ....	standard
HWH. ....	hex washer head	TAP. ....	self tapping
HWHTF. ....	hex washer head thread forming	TTH. ....	torx truss head

## Footnotes

❶ Not illustrated

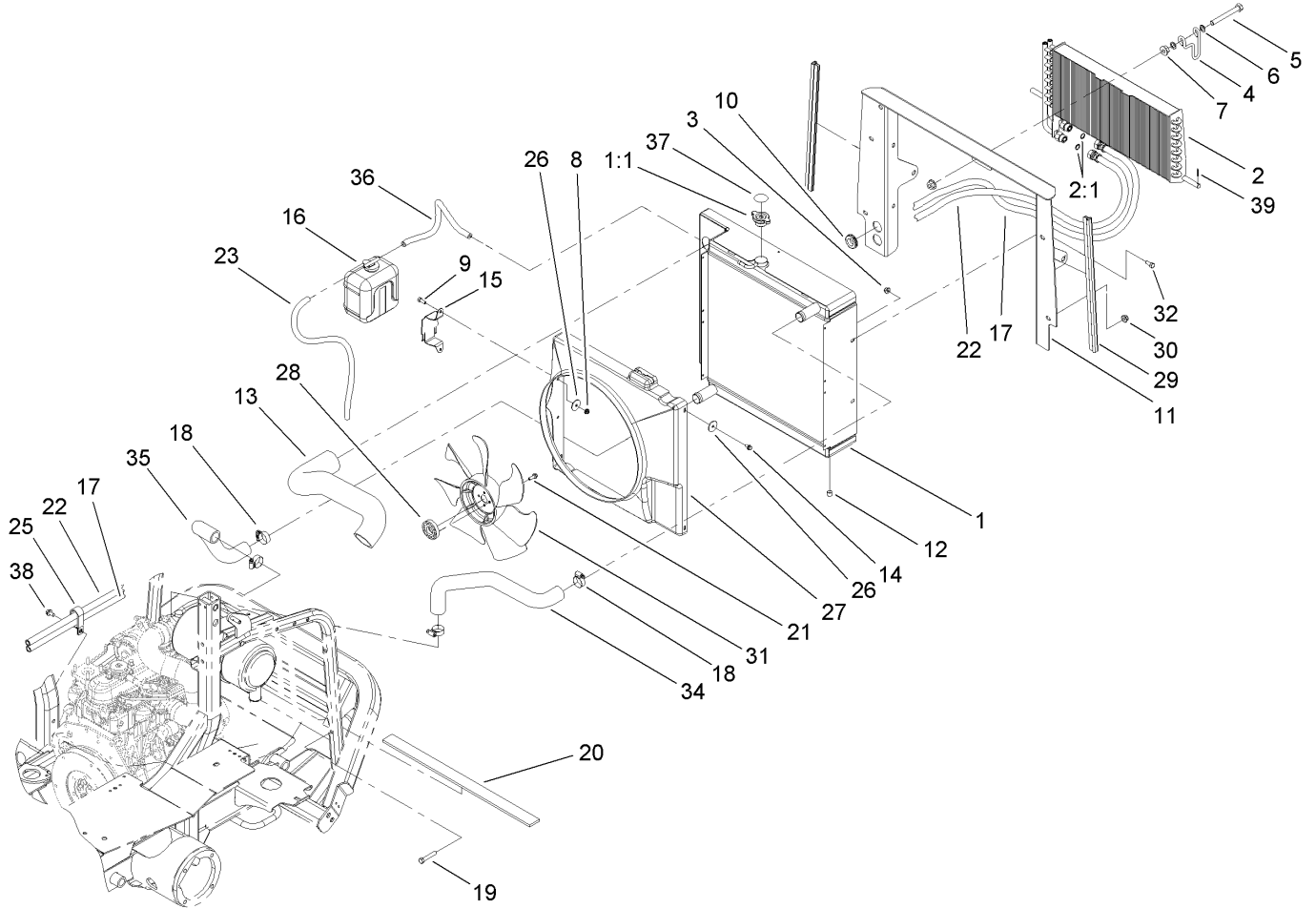
❷ Not serviced separately



### Frame Assembly

Ref	Part No.	Qty.	Description
1	114-4055-03	1	Bracket-Wire
3	32144-10	3	Screw-HWH
5	99-7435	1	Relay-Power
6	104-7201	2	Nut-HF
7	112-6361-03	1	Crossmember ASM
8	323-13	4	Screw-HH
9	104-8301	8	Nut-Flange, NI
10	3234-4	6	Screw-HHF
12	105-0778	5	Strip-Foam
13	105-7296-03	1	Support-Seat
14	3231-2	4	Screw-CARR
15	112-6387	2	Strip-Foam
17	3256-22	2	Washer-Flat
18	112-6367-03	1	Panel-Rear
19	32151-106	2	Ring-Retaining
20	3290-148	2	Nut-HF
21	107069	8	Clip
23	3290-134	2	Screw
24	112-6384-03	1	Screen ASM
25	98-8332	2	Knob
27	110-9794	1	Cover-Front
27:2	110-9772	1	Decal-Safety
28	95-5807	2	Spacer
29	237-124	2	Grommet

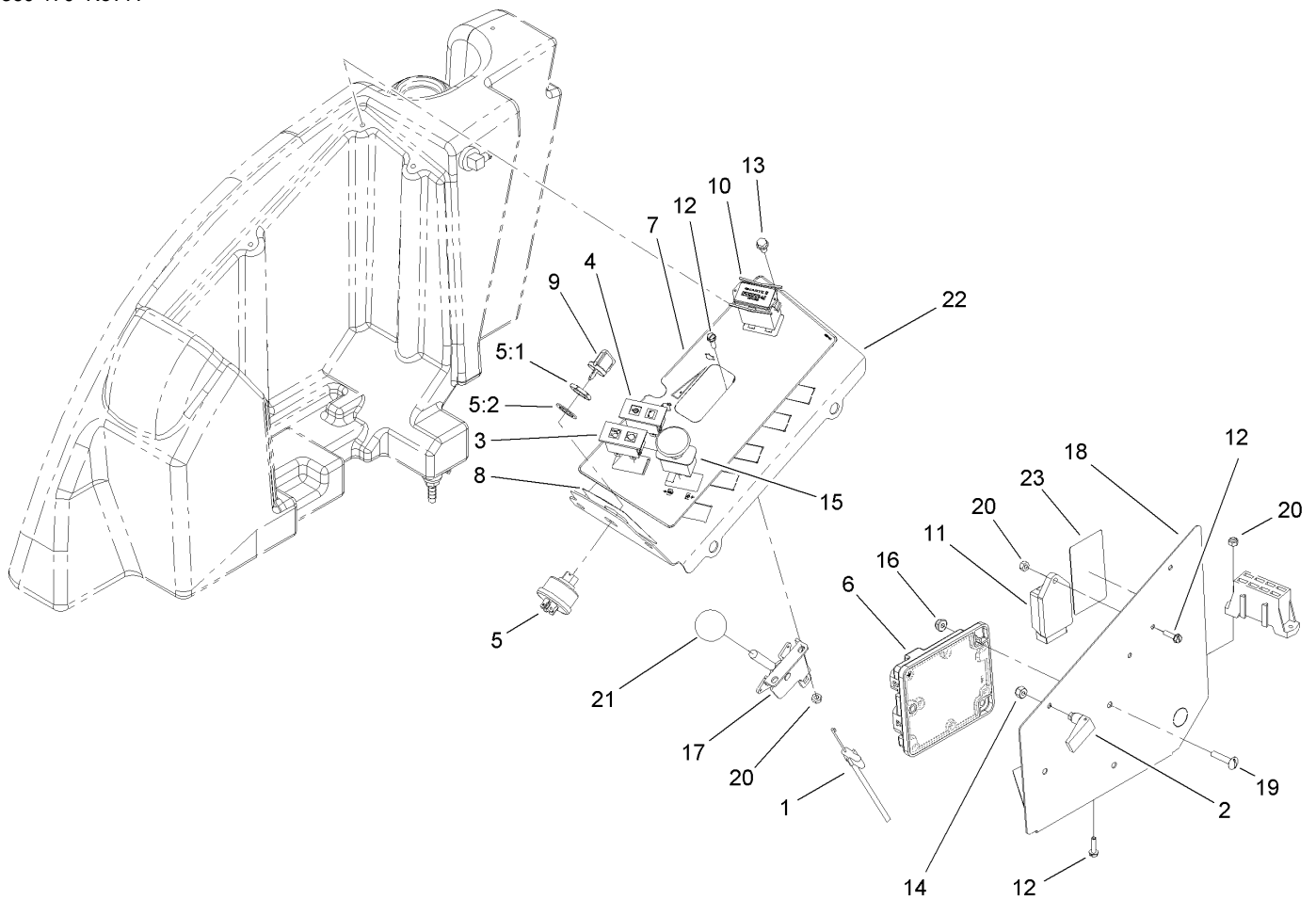
Ref	Part No.	Qty.	Description
30	110-8276	1	Trim-Hold Down, Battery
32	321-10	2	Screw-HH
34	3256-22	2	Washer-Flat



## Radiator Assembly

Ref	Part No.	Qty.	Description
1	99-3637	1	Radiator
1:1	93-5957	1	Cap-Radiator
2	112-1684	1	Cooler-Oil
2:1	237-30	2	O-Ring
3	104-8300	4	Nut-Flange, NI
4	104-5429	1	Clamp-Form, Wire
5	325-17	1	Screw-HH
6	41-8440	2	Washer
7	32128-49	2	Nut-HHF
8	104-7201	2	Nut-HF
9	321-4	2	Screw-HH
10	240-4	2	Grommet-Rubber
11	110-8277-03	1	Frame-Radiator
12	99-8551	1	Plug-Pipe
13	105-7281	1	Hose-Air Inlet, Upper
14	32104-116	4	Screw
15	108-9930-03	1	Bracket-Bottle
16	108-0638	1	Bottle-Overflow
17	110-5542	1	HYD Hose ASM
18	2412-34	4	Clamp-Hose
19	323-10	4	Screw-HH
20	108-9935	1	Strip-Foam
21	33103-020	4	Screw-HHF
22	110-5543	1	HYD Hose ASM

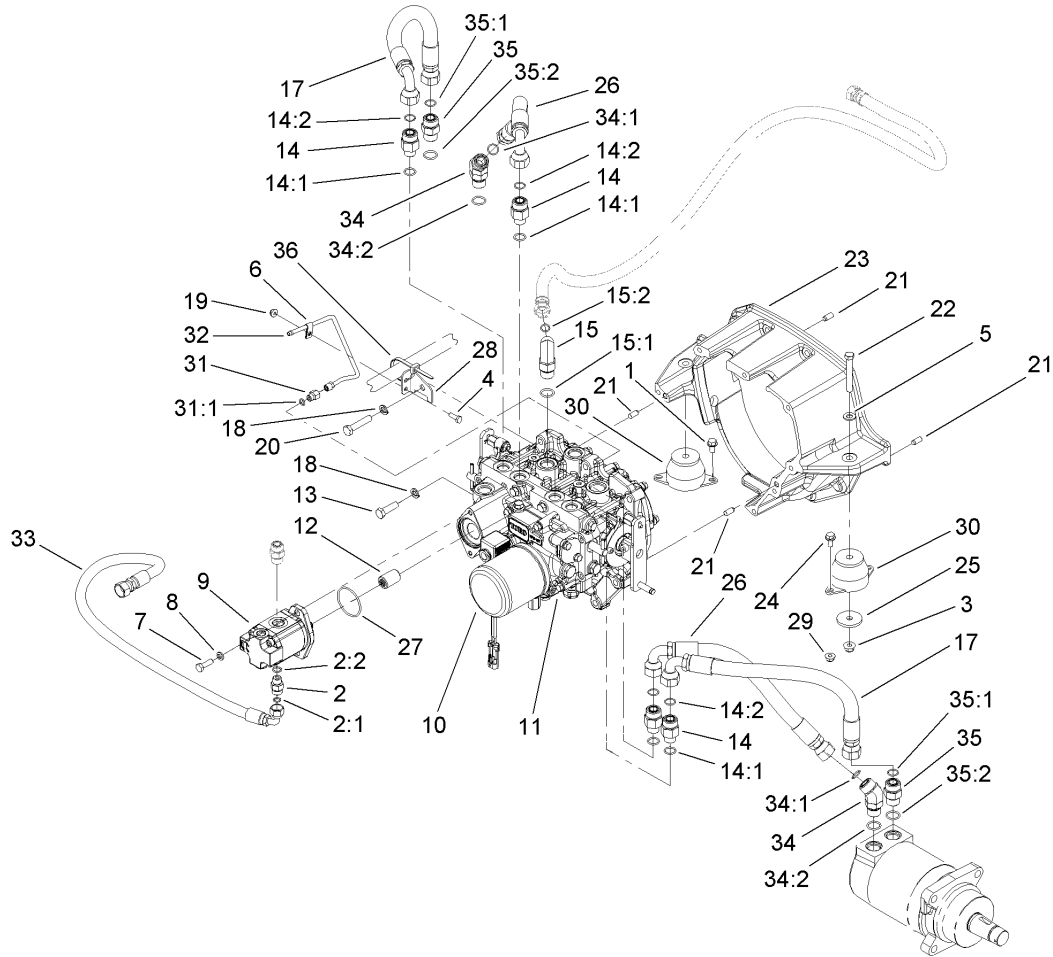
Ref	Part No.	Qty.	Description
23	108-3284	1	Hose-Fuel
25	2412-137	1	Clamp-R, Double
26	3256-55	6	Washer-Flat
27	108-9927	1	Shroud-Fan
28	104-4247	1	Spacer-Fan
29	107-2269	2	Seal-Bulb
30	104-8301	4	Nut-Flange, NI
31	107-9096	1	Fan-Cooling
32	3234-5	4	Screw-HHF
34	105-7282	1	Hose-Radiator, Upper
35	105-7283	1	Hose-Radiator, Lower
36	109-0274	1	Hose-Fuel
37	106-6755	1	Decal-Cap, Radiator
38	32144-14	1	Screw-HWHTF
39	32121-107	1	Pin-Roll, Slotted



## Control Panel Assembly

Ref	Part No.	Qty.	Description
1	110-5548	1	Cable-Throttle
2	74-5950	2	Latch-Swell
3	100-8071	1	Lamp-Warning
4	100-8070	1	Lamp-Warning
5	104-2541	1	Switch ASM
5:1	218-461	1	Nut-HH
5:2	3254-5	1	Washer-Tooth
6	106-9277	1	Module-Control, Standard
7	110-8253	1	Decal-Panel, Control
8	110-8254	1	Decal-Start, Control Panel
9	63-8360	2	Key-Ignition
10	1-513374	1	Meter-Hour
11	107-9097	1	Controller-Glow
12	32105-13	5	Screw-HWH
13	3234-13	5	Screw-HHF
14	1-804254	2	Nut
15	93-9999	1	Switch-PTO
16	104-7201	3	Nut-HF
17	110-5547	1	Control Lever ASM
18	110-8257-03	1	Cover-Panel, Control
19	3258-19	3	Screw
20	3296-2	5	Nut-Lock
21	233-42	1	Knob
22	110-8256-03	1	Panel-Control

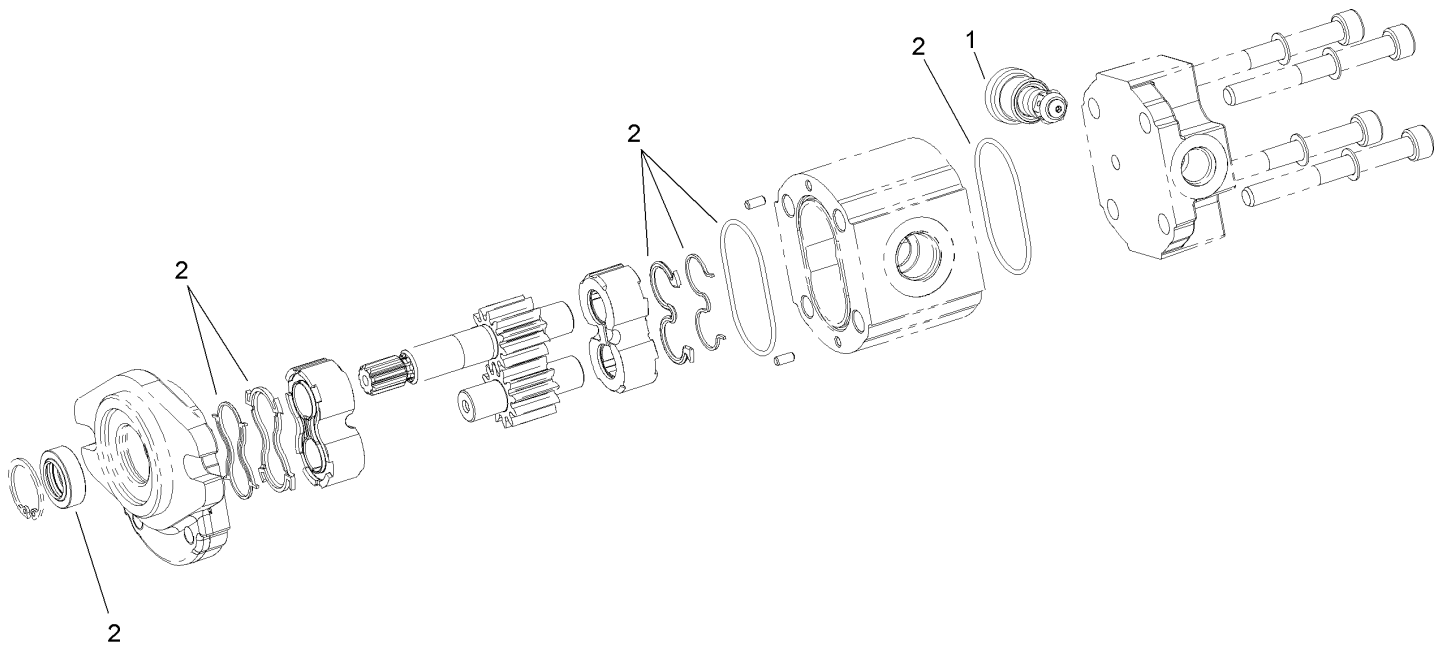
Ref	Part No.	Qty.	Description
23	110-9796	1	Decal-Block, Fuse



## Transmission Assembly

Ref	Part No.	Qty.	Description
1	32144-14	2	Screw-HWHTF
2	340-2	1	Fitting-HYD, Straight
2:1	237-22	1	O-Ring
2:2	237-42	1	O-Ring
3	104-8301	2	Nut-Flange, NI
4	321-4	1	Screw-HH
5	3256-24	2	Washer-Flat
6	2412-72	1	Clip-Closed, Insulated
7	33114-025	2	Screw-HH
8	3253-4	2	Washer-Lock
9	112-9542	1	Pump-Gear
10	108-5194	1	Filter-Oil
11	107-0801	1	Transmission ASM
12	108-9920	1	Coupler-Spline, 9T
13	33115-035	1	Screw-HH
14	340-155	4	Fitting-HYD, Straight
14:1	237-79	1	O-Ring
14:2	237-151	1	O-Ring
15	340-105	1	Fitting-HYD, 90 DEG
15:1	237-80	1	O-Ring
15:2	237-30	1	O-Ring
17	112-1683	2	Hose ASM
18	48-9590	7	Washer-Lock
19	104-7201	1	Nut-HF

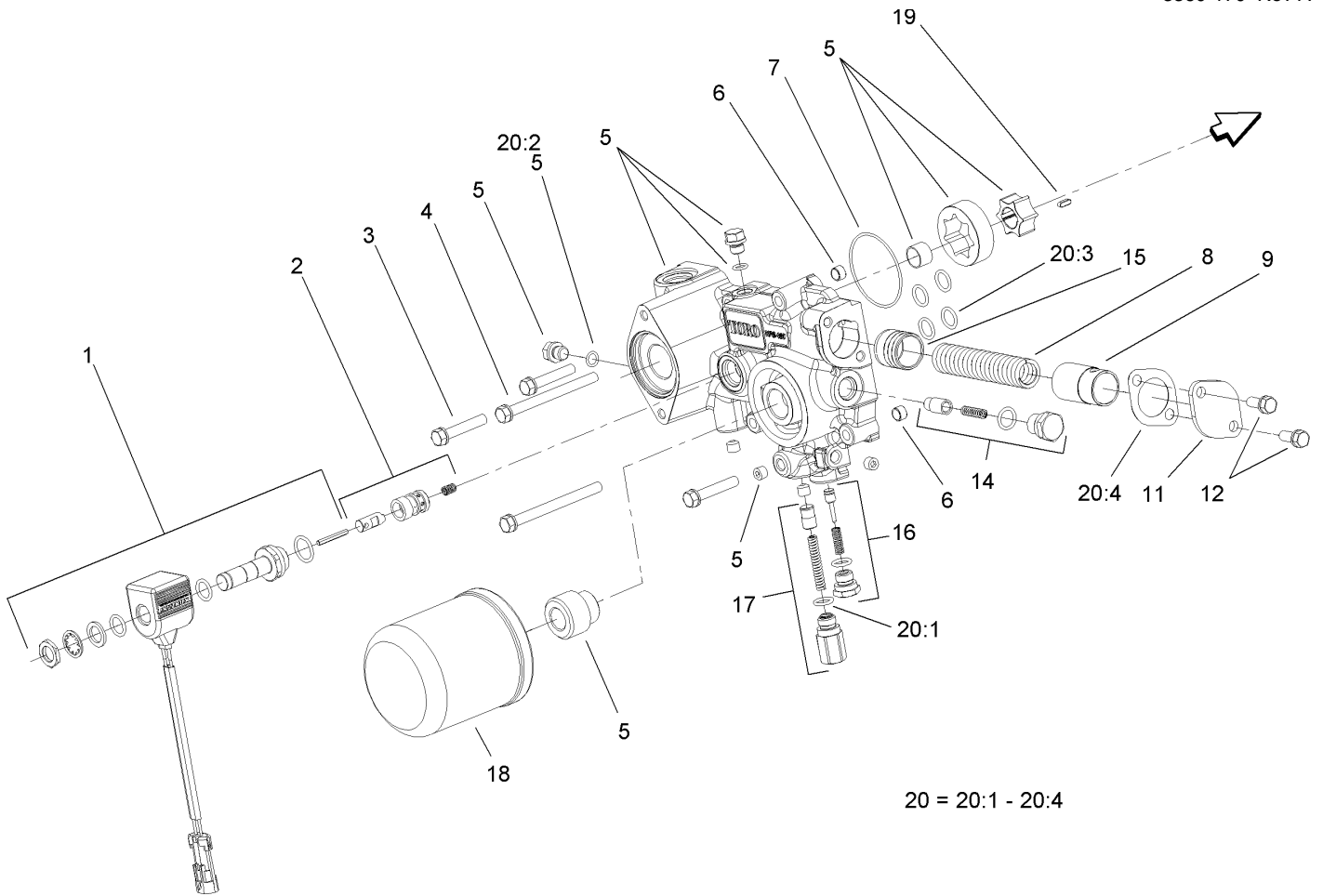
Ref	Part No.	Qty.	Description
20	33115-050	6	Screw-HH
21	87-1910	4	Pin-Dowel
22	323-13	2	Screw-HH
23	108-5193	1	Housing-Flywheel
24	3234-17	2	Screw-HHF
25	80-8560	2	Washer-Hardened
26	110-5518	2	Hose ASM
27	108-9919	1	O-Ring
28	110-5534	1	Support-Tube
29	104-8300	2	Nut-Flange, NI
30	107-2289	2	Mount-Motor
31	110-5536	1	Fitting-HYD, Adapter
31:1	237-78	1	O-Ring
32	110-5537	1	Tube ASM
33	94-5961	1	Hose ASM
34	340-14	2	Fitting-HYD, 45 DEG
34:1	237-65	1	O-Ring
34:2	237-80	1	O-Ring
35	340-7	2	Adapter
35:1	237-65	1	O-Ring
35:2	237-80	1	O-Ring
36	3290-378	1	Tie-Cable



## Hydraulic Gear Pump Assembly No. 112-9542

Ref	Part No.	Qty.	Description	
1	112-0198	1	Valve	
2	112-0199	1	Seal Kit	



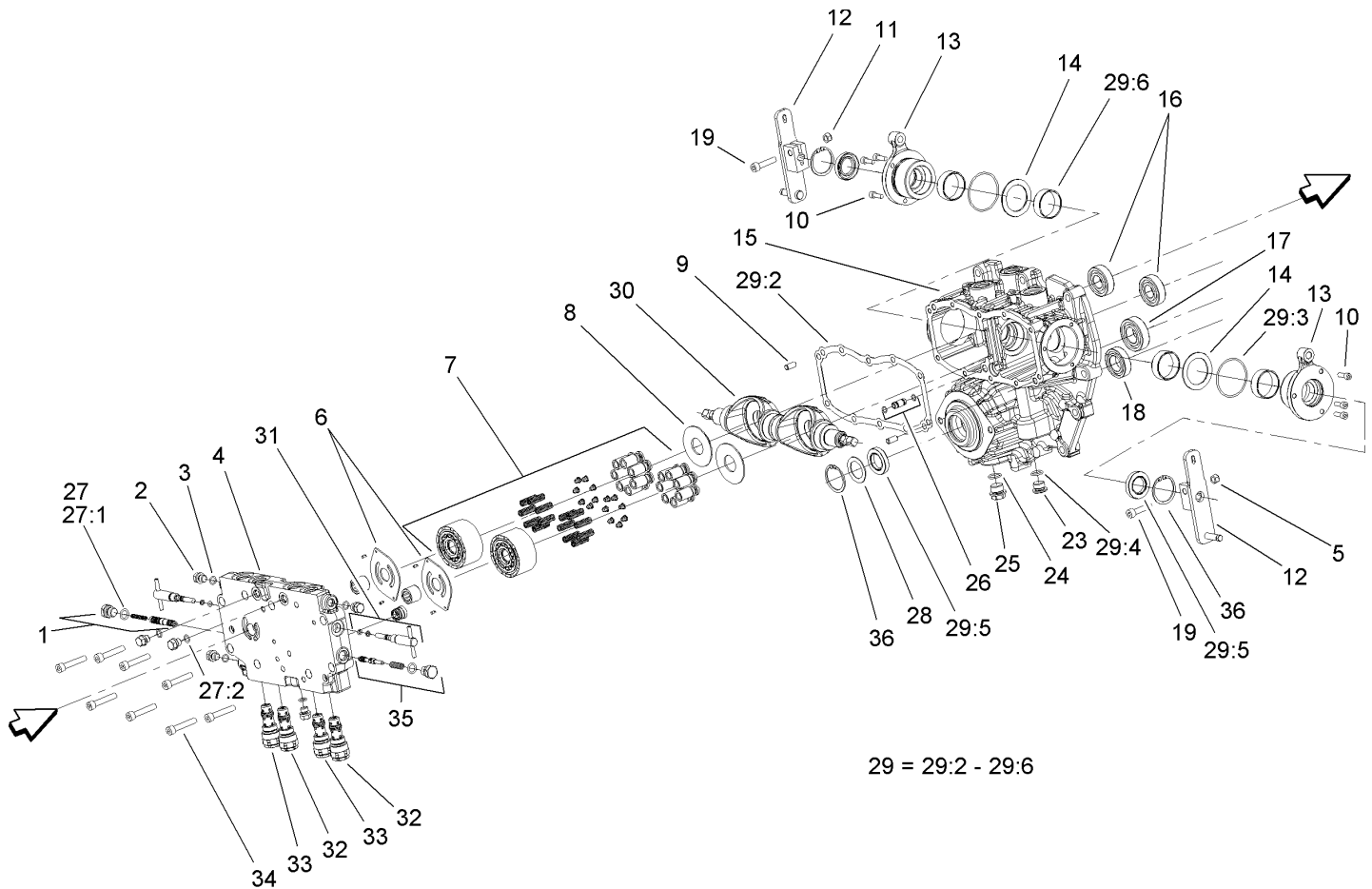


20 = 20:1 - 20:4

## Charge Pump Housing Assembly Transmission Assembly No. 107-0801

Ref	Part No.	Qty.	Description
1	107-0851	1	Solenoid ASM
2	107-0850	1	Solenoid Valve ASM
3	107-0863	3	Bolt
4	107-0864	2	Bolt
5	107-0840	1	Pump Body ASM
6	107-0848	2	Pin
7	107-0856	1	O-Ring
8	107-0845	1	Spring
9	107-0844	1	Collar
11	107-0846	1	Cover
12	93-0457	2	Bolt And Washer ASM
14	107-0843	1	Filter Bypass Valve ASM
15	107-0818	1	Piston
16	107-0842	1	Charge Relief Valve ASM
17	107-0841	1	Pressure Valve ASM
18	108-5194	1	Filter-Oil
19	107-0865	1	Key
20	107-0855	1	Charge Pump Seal Kit
20:1	93-0418	2	O-Ring
20:2	107-0817	2	O Ring-Plug
20:3	104-3298	6	Packing
20:4	107-0847	1	Gasket

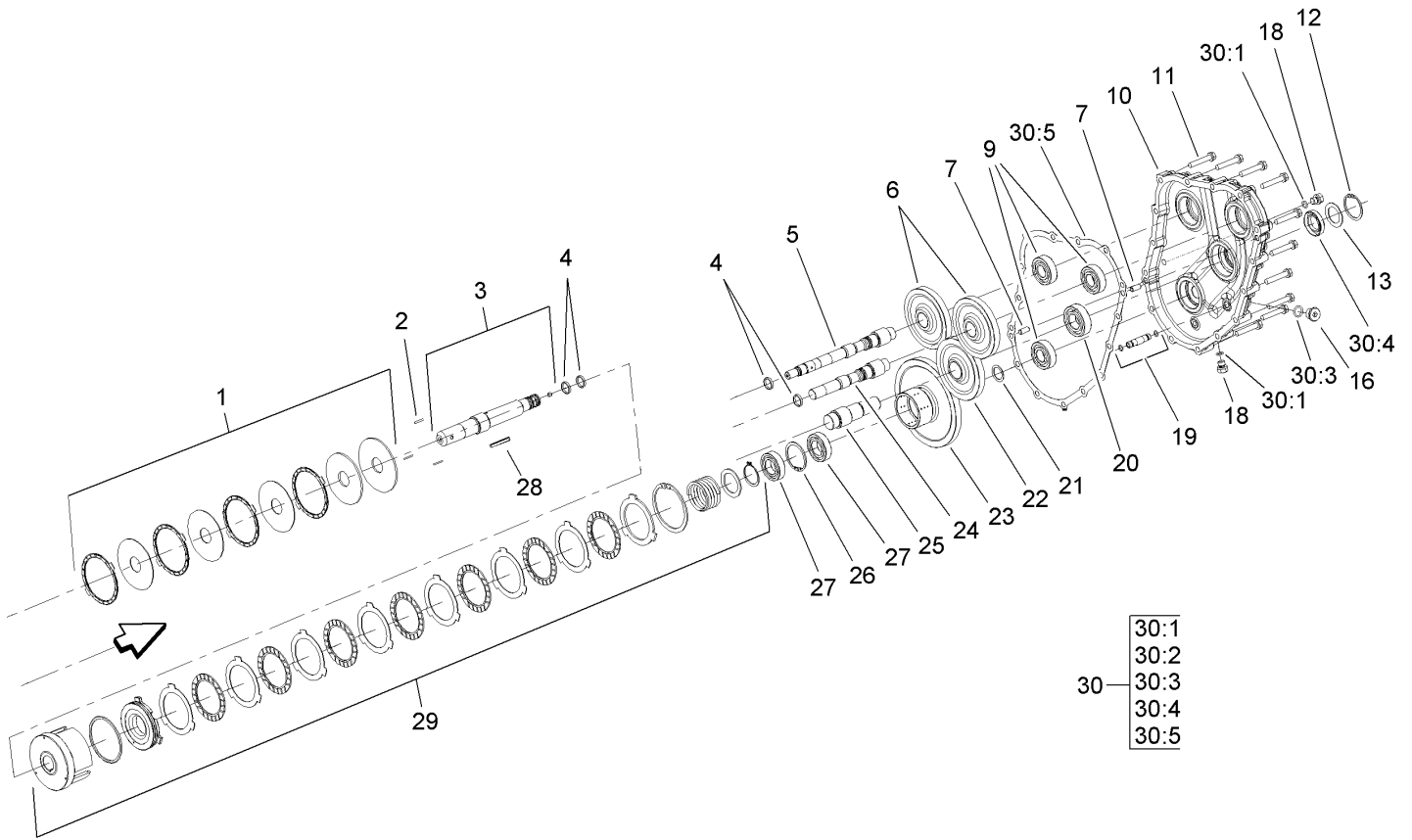
--	--	--	--



## Center Section Assembly Transmission Assembly No. 107-0801

Ref	Part No.	Qty.	Description
1	107-0807	1	Valve-Flushing, RH
2	107-0857	6	Plug
3	107-0817	6	O Ring-Plug
4	107-0802	1	Case-Center
5	107-0858	1	U-Nut
6	107-0805	2	Plate-Valve
7	107-0824	2	Cylinder Block ASM
8	107-0830	2	Plate-Thrust
9	92-0765	4	Pin-Parallel
10	107-0859	6	Bolt
11	107-0858	2	U-Nut
12	107-0831	2	Arm-Control
13	107-0832	2	Side Cover ASM
14	107-0829	2	Washer
15	107-0809	1	Housing-Pump
16	107-0826	2	Bearing
17	107-0821	1	Bearing
18	107-0838	1	Bearing
19	107-0860	2	Bolt
23	107-0861	1	Plug-NPTF
24	107-0862	1	O-Ring
25	107-0867	1	Plug
26	107-0812	1	Pipe
27	107-0852	1	Center Case Seal Kit

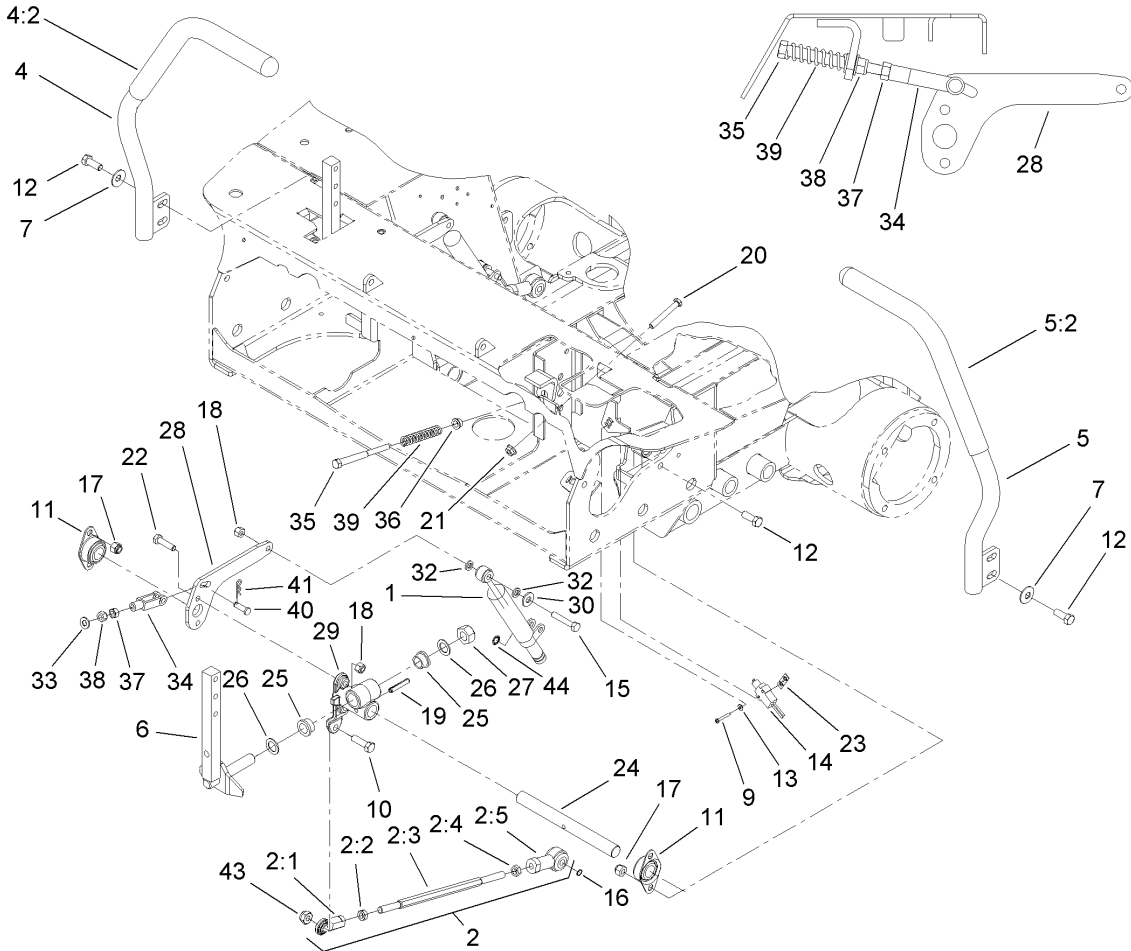
Ref	Part No.	Qty.	Description
27:1	93-0418	2	O-Ring
27:2	107-0817	6	O Ring-Plug
28	107-0813	1	Spacer
29	107-0853	1	Pump Housing Seal Kit
29:2	107-0810	1	Gasket-Case, Center
29:3	107-0817	2	O Ring-Plug
29:4	104-3298	1	Packing
29:5	107-0814	3	Seal
29:6	107-0825	4	Ring-Seal
30	107-0828	2	Plate-Swash
31	107-0808	2	Valve-Bypass
32	107-0804	2	Valve-Rear
33	107-0803	2	Valve-Front
34	107-0863	8	Bolt
35	107-0806	1	Valve-Flushing, LH
36	92-0757	2	Ring-Snap



## Gear Case and Clutch Assembly Transmission Assembly No. 107-0801

Ref	Part No.	Qty.	Description
1	107-0839	1	PTO Brake ASM
2	107-0837	3	Rod-Push
3	107-0833	1	PTO Shaft ASM
4	107-0825	2	Ring-Seal
5	107-0827	1	Shaft-Pump
6	107-0823	2	Gear-Pump
7	92-0765	4	Pin-Parallel
9	107-0826	4	Bearing
10	107-0815	1	Housing-Gear Case
11	107-0863	13	Bolt
12	92-0757	1	Ring-Snap
13	107-0813	1	Spacer
16	107-0861	1	Plug-NPTF
18	107-0857	6	Plug
19	107-0811	1	Pipe
20	107-0821	2	Bearing
21	107-0836	1	Spacer
22	107-0820	1	Gear-Input
23	107-0834	1	Gear-PTO
24	107-0822	1	Shaft-Pump
25	107-0819	1	Shaft-Input
26	92-0758	1	Ring-Snap
27	107-0838	3	Bearing
28	107-0866	1	Key

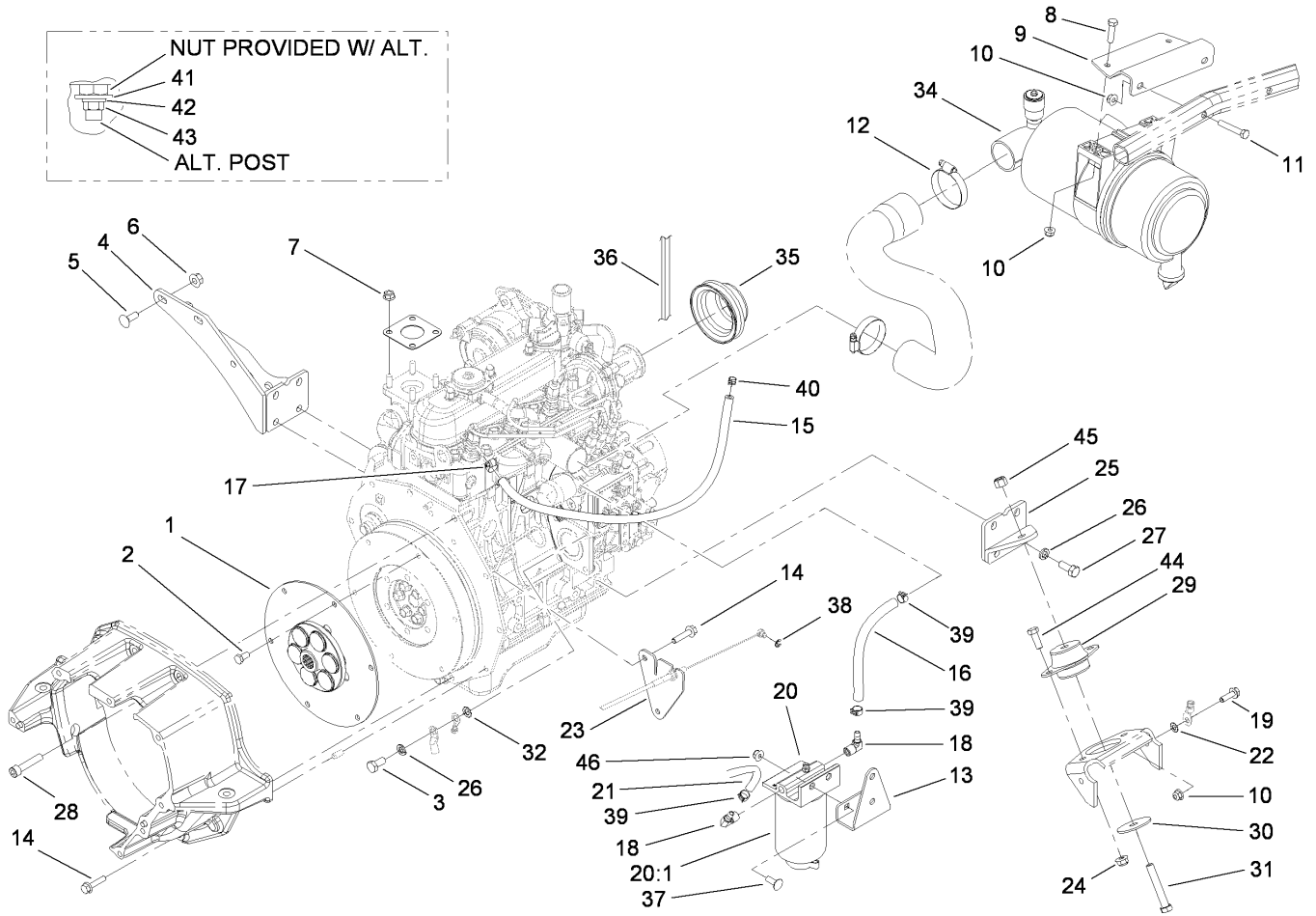
Ref	Part No.	Qty.	Description
29	107-0835	1	Clutch Cylinder ASM
30	107-0854	1	Gear Housing Seal Kit
30:1	107-0817	2	O Ring-Plug
30:2		2	O-Ring
30:3	104-3298	1	Packing
30:4	107-0814	1	Seal
30:5	107-0816	1	Gasket-Housing, Gear



## Traction Control Assembly

Ref	Part No.	Qty.	Description
1	105-7280	2	Damper
2	112-5099	2	Link ASM
2:1	103-1167	1	Joint-Ball End, LH
2:2	3220-16	1	Nut-Jam, LH
2:3	105-7239	1	Rod-Threaded
2:4	3219-3	1	Nut-Hex
2:5	105-7199	1	Rod End-Isolated
4	108-5208	1	RH Lever And Grip ASM
4:2	108-5213	1	Grip-Foam
5	108-5209	1	LH Lever And Grip ASM
5:2	108-5213	1	Grip-Foam
6	108-9833-03	2	Lever ASM
7	3290-461	4	Washer-Spring
9	3250-35	4	Screw-PPH
10	323-7	2	Screw-HH
11	1-633102	4	Bearing-Flange, Side
12	323-6	12	Screw-HH
13	3256-53	4	Washer-Flat
14	99-3410	2	Switch
15	322-9	2	Screw-HH
16	32120-46	2	Ring-Retaining
17	3296-39	8	Nut-Lock, NI
18	3296-29	6	Nut-Lock, NI
19	32121-15	2	Pin-Roll

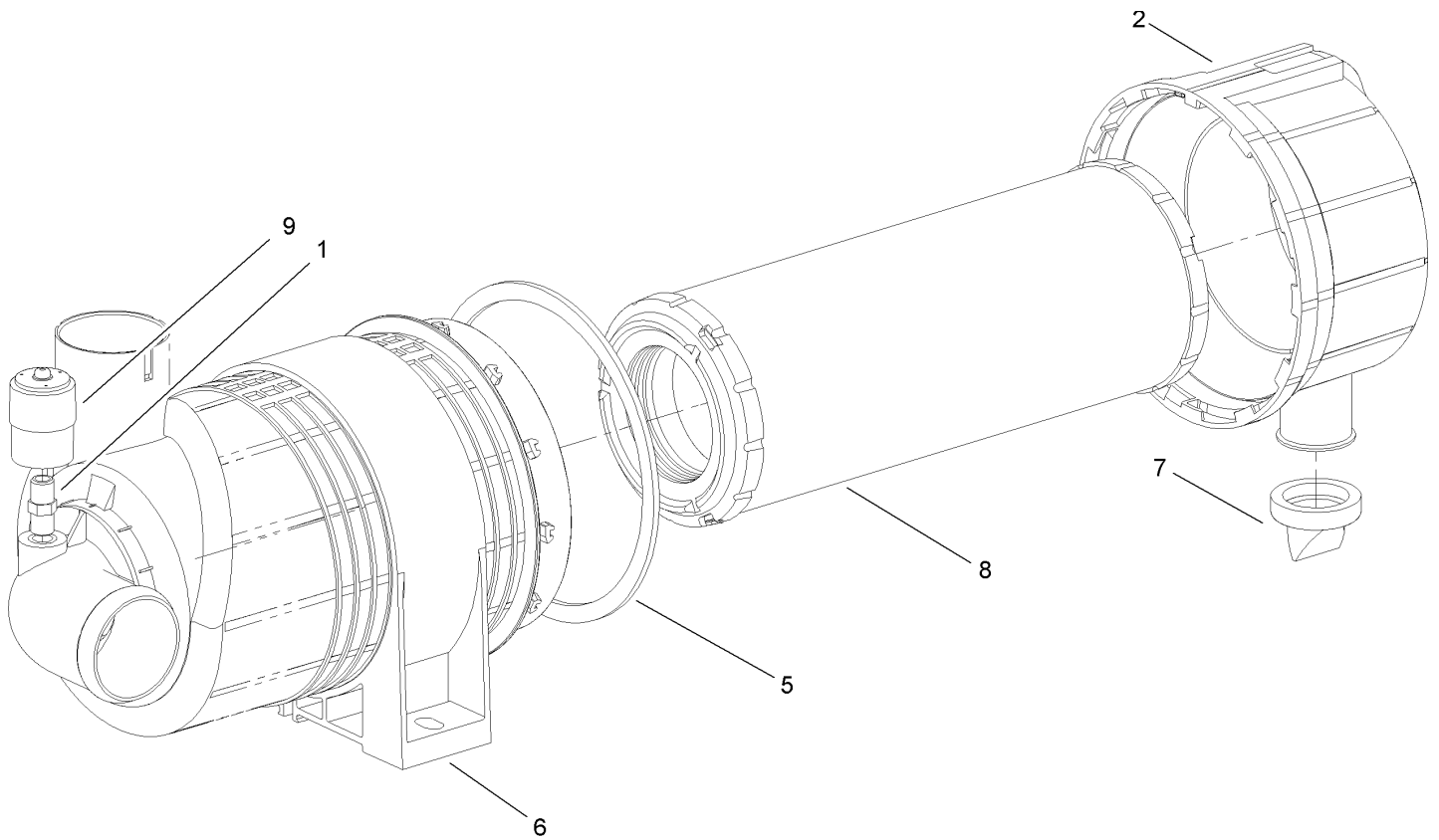
Ref	Part No.	Qty.	Description
20	9114524	2	Bolt-TAP, HH
21	32128-26	2	Nut-Flange
22	322-6	4	Screw-HH
23	108-9824	2	Nut-Switch
24	108-9830	2	Shaft-Pivot
25	105-3455	4	Bushing
26	105-3481	4	Washer-Thrust
27	32152-6	2	Nut-Lock, Cone
28	108-9829-03	2	Lever-Damper
29	108-9831	2	Hub-Control
30	3256-3	2	Washer-Flat
32	3253-4	4	Washer-Lock
33	3256-23	2	Washer-Flat
34	1-303105	2	Yoke-Adjustable
35	1-603737	2	Bolt-Return, Neutral
36	1-603735	2	Bushing-Flanged
37	3219-2	2	Nut-Hex
38	3296-4	2	Nut-Lock
39	1-603807	2	Spring-Return, Neutral
40	283-1	2	Pin-Clevis
41	3290-307	2	Pin-Hair
43	3296-44	2	Nut-Lock, NI
44	32151-72	2	Ring-Retaining



## Engine Component Assembly

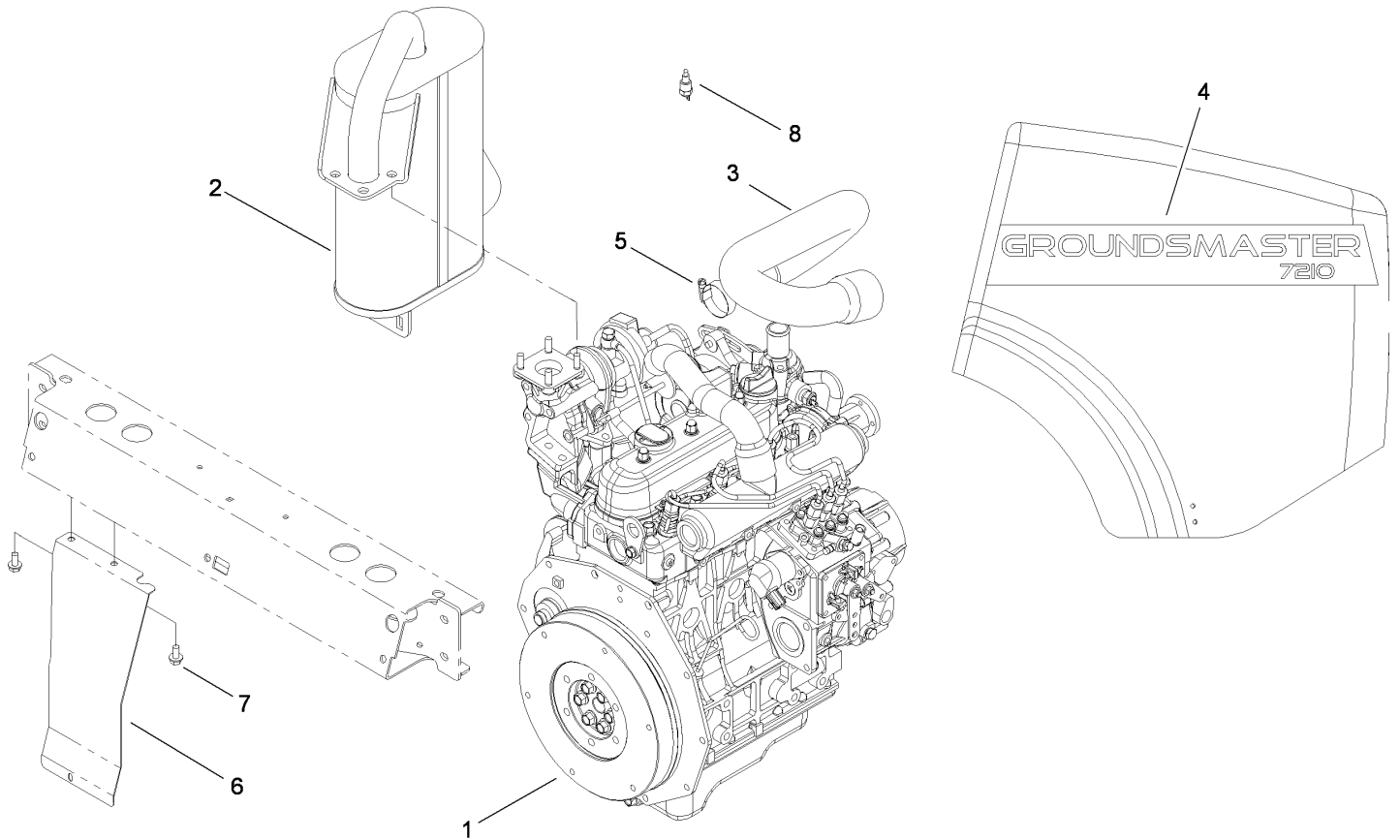
Ref	Part No.	Qty.	Description
1	110-9729	1	Flywheel Coupling ASM
2	33114-016	6	Screw-HH
3	63-7790	1	Screw-Cap
4	108-9926-03	1	Muffler Bracket ASM
5	3231-22	2	Screw-CARR
6	32128-29	2	Locknut-Flange
7	33004-00	4	Nut-HF
8	322-6	2	Screw-HH
9	108-9843-03	1	Support-Cleaner, Air
10	104-8300	5	Nut-Flange, NI
11	322-10	2	Screw-HH
12	2412-130	1	Clamp-Hose
13	114-4058-03	1	Mount-Separator
14	33104-035	8	Screw-HHF
15	110-8255	1	Hose-Fuel
16	110-4104	1	Hose-Fuel
17	2412-108	1	Clamp-Worm
18	353-781	2	Fitting-Elbow
19	3234-17	1	Screw-HHF
20	110-9044	1	Filter-Separator
20:1	110-9049	1	Filter-Spin On
21	114-4028	1	Hose-Fuel
22	3255-8	1	Washer-Lock
23	114-4060	1	Bracket-Throttle

Ref	Part No.	Qty.	Description
24	104-8301	4	Nut-Flange, NI
25	105-7235-03	1	LH Rear Mount ASM
26	48-9590	9	Washer-Lock
27	43-0090	8	Screw-HH
28	3274-106	2	Screw-HSH
29	53-9681	2	Mount-Engine
30	87-5100	2	Washer-Snubbing
31	324-11	2	Screw-HH
32	3255-9	1	Washer-Lock
34	104-3428	1	Air Cleaner ASM
35	98-9584	1	Pulley-Fan
36	98-9676	1	V-Belt
37	3230-10	2	Screw-CARR
38	701197	1	E-Ring
39	92-2379	3	Clamp-Hose
40	2412-80	1	Clamp-Line, Fuel
41	3256-2	1	Washer-Flat
42	43-5930	1	Washer-Spring
43	33013-00	1	Nut-Hex
44	323-6	4	Screw-HH
45	3296-48	2	Nut-Lock, NI
46	32128-44	2	Nut



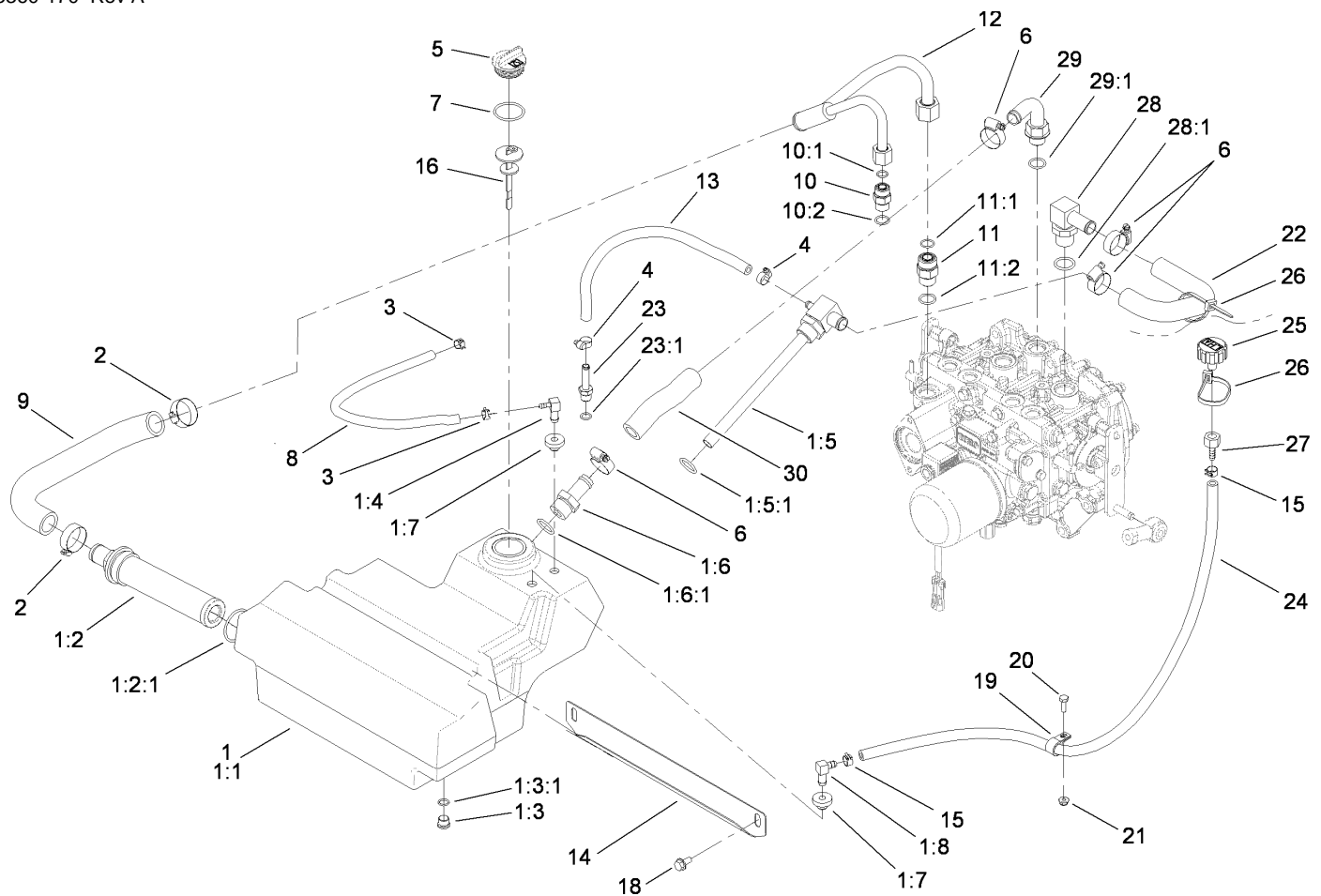
### Air Cleaner Assembly No. 104-3428

Ref	Part No.	Qty.	Description
1	105-4292	1	Nipple-Pipe
2	104-0497	1	Cover ASM
5	104-4897	1	Gasket
6	98-4525	1	Bracket-Cleaner, Air
7	104-0498	1	Valve-Vacuator
8	108-3810	1	Filter-Air
9	93-9164	1	Indicator-Mini

## Engine, Muffler and Shield Assembly

Ref	Part No.	Qty.	Description				
1	114-4080	1	Engine-Kubota				
2	108-9912	1	Muffler				
②2:1	112-1688	1	Spark Arrestor Kit				
3	112-9582	1	Hose-Air Inlet, Turbo				
4	110-5545	2	Decal-Hood				
5	2412-3	1	Clamp-Hose				
6	112-6368-03	1	Shield-Heat				
7	32144-14	2	Screw-HWHTF				
8	98-9719	1	Thermoswitch				

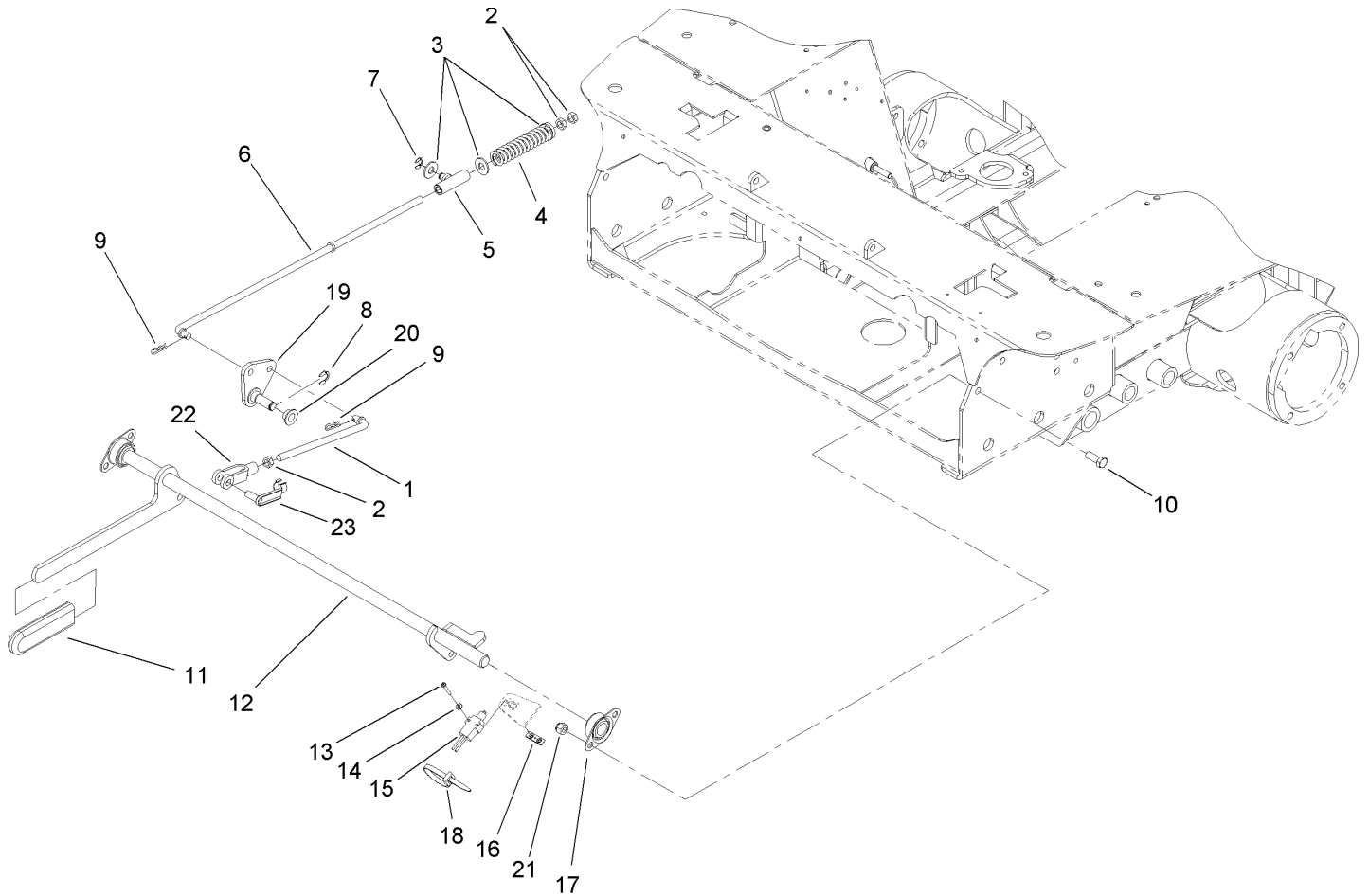


## Hydraulic Assembly

Ref	Part No.	Qty.	Description
1	110-8237	1	Hydraulic Reservoir ASM
1:1	108-5200	1	Reservoir-Hydraulic
1:2	104-7546	1	Strainer-Tank
1:2:1	340-136	1	O-Ring
1:3	353-989	1	Plug-Hex, Hollow
1:3:1	237-42	1	O-Ring
1:4	104-5228	1	Fitting-Elbow
1:5	108-9894	1	Fitting-Elbow, Special
1:5:1	237-81	1	O-Ring
1:6	354-73	1	Fitting-Straight
1:6:1	237-81	1	O-Ring
1:7	46-6560	2	Bushing
1:8	46-6550	1	Fitting-Elbow, 90 DEG
2	2412-34	2	Clamp-Hose
3	2412-98	2	Clamp
4	2412-108	2	Clamp-Worm
5	93-7498	1	Plug-Plastic
6	2412-129	4	Clamp-Hose
7	94-8166	1	O-Ring
8	109-0299	1	Hose-Fuel
9	110-5526	1	Hose-Suction
10	340-4	1	Fitting-HYD, Straight
10:1	237-30	1	O-Ring
10:2	237-79	1	O-Ring

Ref	Part No.	Qty.	Description
11	340-7	1	Adapter
11:1	237-65	1	O-Ring
11:2	237-80	1	O-Ring
12	110-5532	1	Tube ASM
13	94-5625	1	Hose-Overflow, Radiator
14	110-5529-03	1	Support-Reservoir
15	92-2379	2	Clamp-Hose
16	112-6365	1	Dipstick ASM
18	32144-14	2	Screw-HWHTF
19	2412-87	1	Clamp-Cable
20	321-4	1	Screw-HH
21	104-7201	1	Nut-HF
22	110-5524	1	Hose-Return
23	353-979	1	Fitting-Straight
23:1	237-42	1	O-Ring
24	110-9662	1	Hose-Fuel
25	68-6150	1	Breather
26	3290-379	2	Tie-Cable
27	354-95	1	Fitting-Straight
28	353-987	1	Fitting-HYD, 90
28:1	237-81	1	O-Ring
29	110-5522	1	Fitting-Elbow, 90
29:1	237-80	1	O-Ring
30	112-1680	1	Hose-HYD

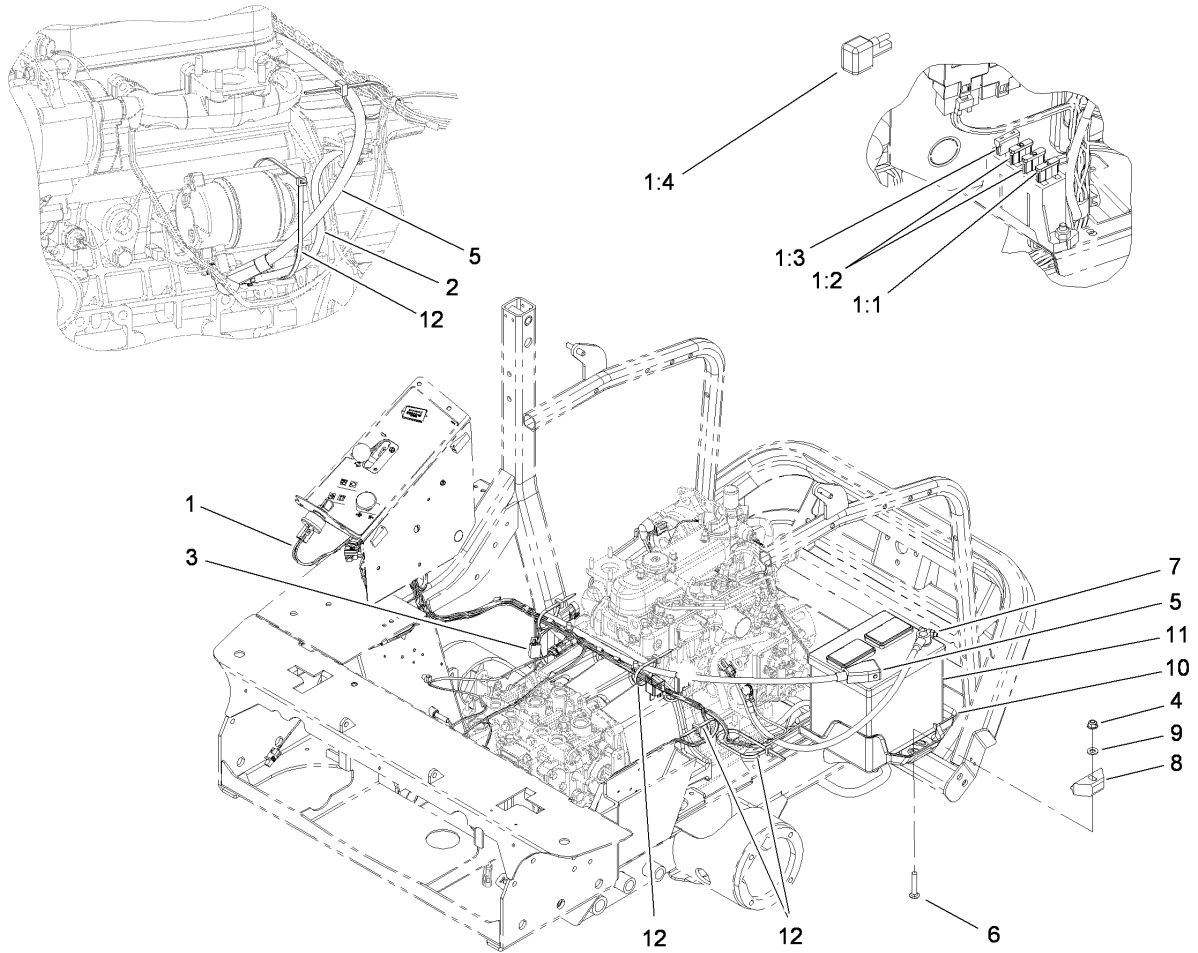




## Parking Brake Assembly

Ref	Part No.	Qty.	Description
1	110-5498	2	Rod-Brake, Front
2	3219-3	6	Nut-Hex
3	3256-4	6	Washer-Flat
4	109-2230	2	Spring-Compression
5	112-1676	2	Swivel ASM
6	110-5494	2	Rod-Brake, Rear
7	32151-47	2	Ring-Retaining
8	32151-68	2	Ring-Retaining
9	3290-307	4	Pin-Hair
10	323-6	4	Screw-HH
11	1-633268	1	Grip-Lever, Brake
12	108-5214-03	1	Brake Handle ASM
13	3250-35	2	Screw-PPH
14	3256-53	2	Washer-Flat
15	95-8900	1	Switch
16	108-9824	1	Nut-Switch
17	1-633102	2	Bearing-Flange, Side
18	3290-378	1	Tie-Cable
19	110-9754	2	Brake Pivot ASM
20	1-513140	4	Bearing-Control
21	3296-39	4	Nut-Lock, NI
22	1-633131	2	Yoke-Linkage, Brake
23	103-2399	2	Pin-Spring, Clevis

--	--	--	--

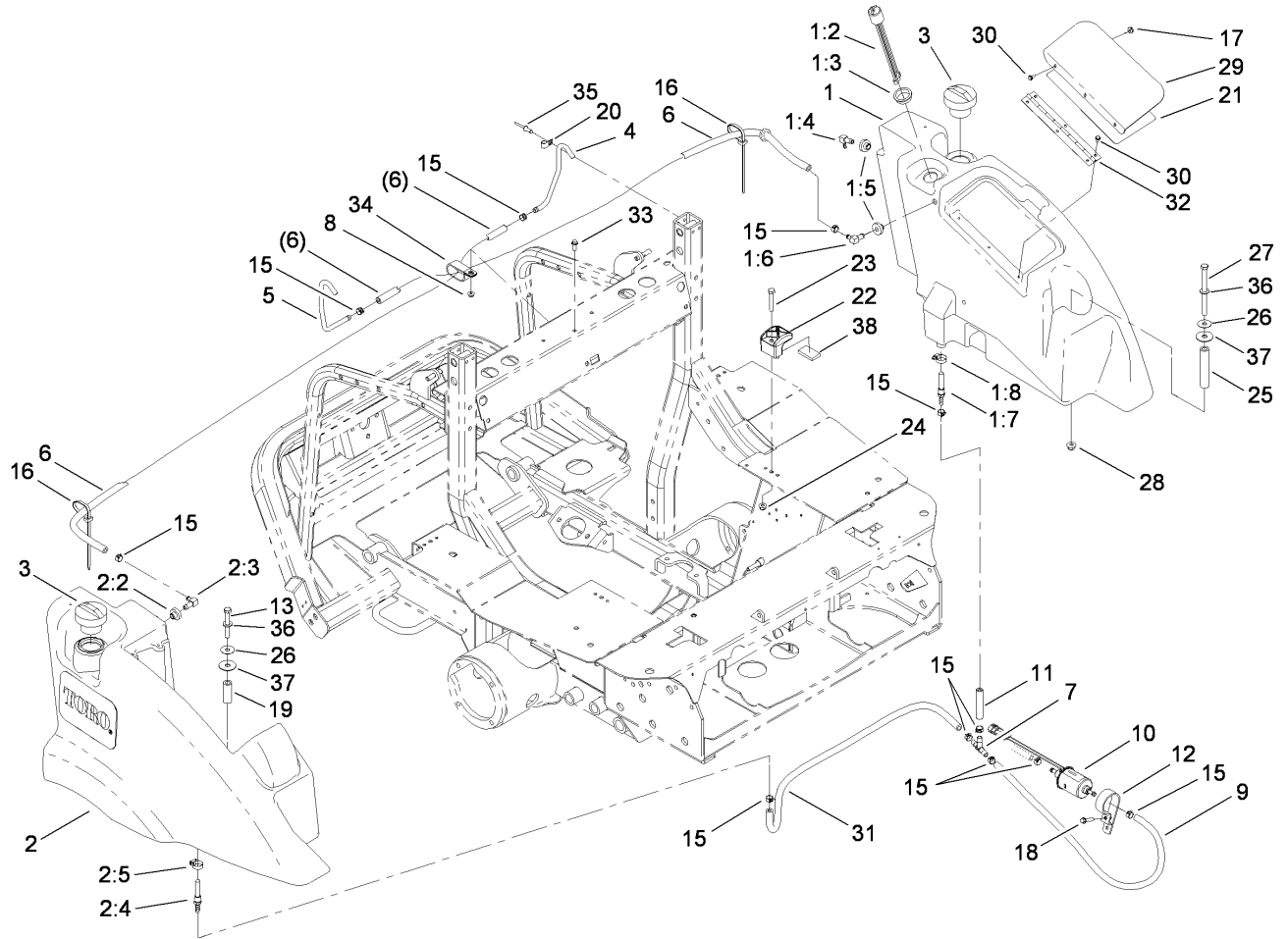


## Electrical Assembly

Ref	Part No.	Qty.	Description
1	114-3382	1	Harness-Wire, Main
1:1	94-6710	1	Fuse-Blade, 2 Amp
1:2	218-578	2	Fuse-10 Amp
1:3	109355	1	Fuse-15 Amp
1:4	100-4918	1	Diode
2	99-3441	1	Harness-Wire, Fusible Link
3	108-8657	1	Harness-Wire, Seat
4	104-8301	1	Nut-Flange, NI
5	104-0086	1	Cable-Battery, Positive
6	3231-6	1	Screw-CARR
7	105-0040	1	Cable-Battery, Negative
8	66-2490	1	Retainer-Battery
9	3256-24	1	Washer-Flat
10	108-9928	1	Tray-Battery
11	106-5187	1	Battery
12	3290-378	5	Tie-Cable

--	--	--	--

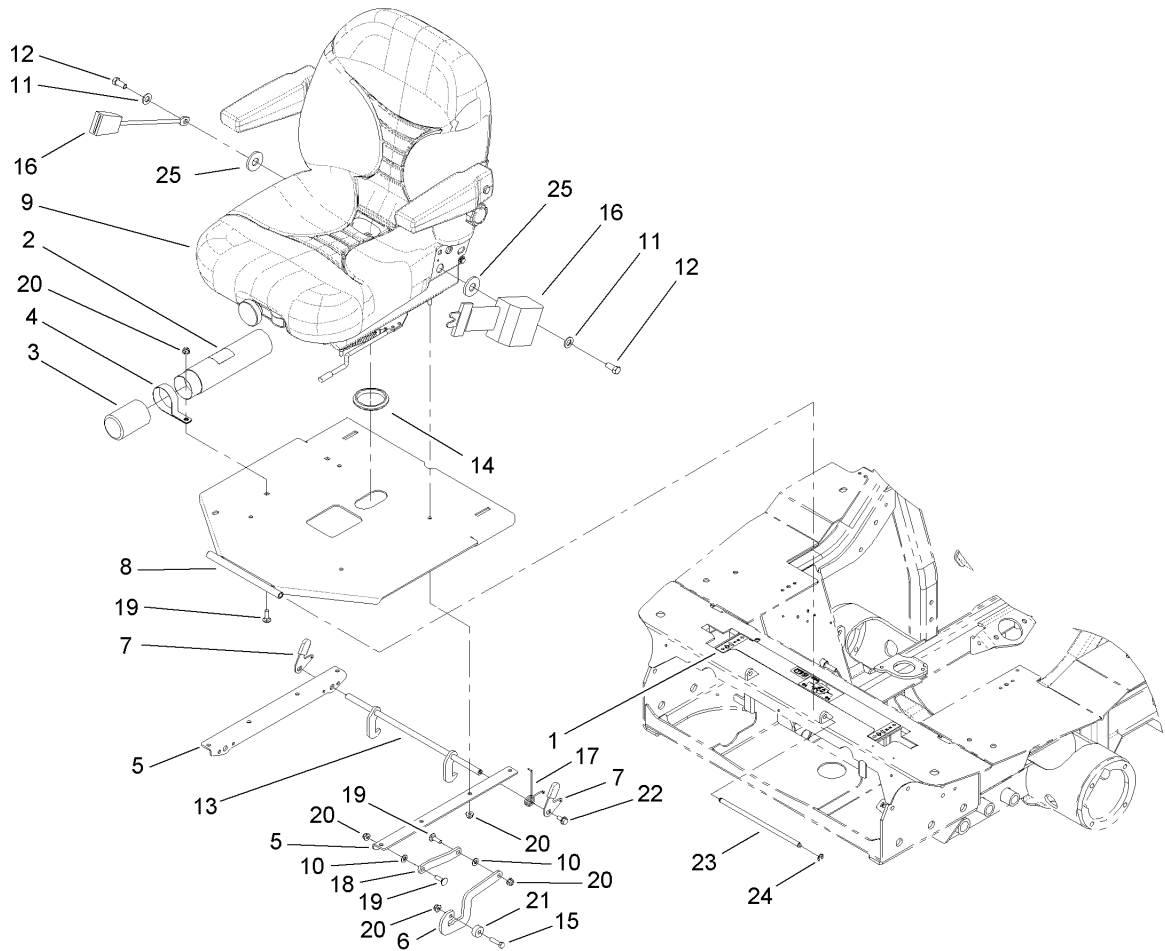




## Fuel Tank Assembly

Ref	Part No.	Qty.	Description
1	110-8230	1	LH Fuel Tank ASM
1:2	110-8262	1	Gauge-Fuel
1:3	95-8972	1	Grommet
1:4	104-5228	1	Fitting-Elbow
1:5	46-6560	2	Bushing
1:6	1-643259	1	Fitting-Elbow
1:7	112-6374	1	Fitting-Strainer
1:8	2412-36	1	Clamp-Hose
2	110-8236	1	RH Fuel Tank ASM
2:2	46-6560	1	Bushing
2:3	1-643259	1	Fitting-Elbow
2:4	112-6374	1	Fitting-Strainer
2:5	2412-36	1	Clamp-Hose
3	115-3002	2	Cap-Biodiesel
4	110-8261	1	Tube-Vent, LH
5	110-8260	1	Tube-Vent, RH
6	110-6186	2	Hose-Fuel
7	354-107	1	Fitting-HYD, Tee
8	104-7201	1	Nut-HF
9	110-4112	1	Hose-Fuel
10	110-8806	1	Pump-Fuel
11	112-6388	1	Hose-Fuel
12	110-8817	1	Bracket-Pump, Fuel
13	323-13	1	Screw-HH

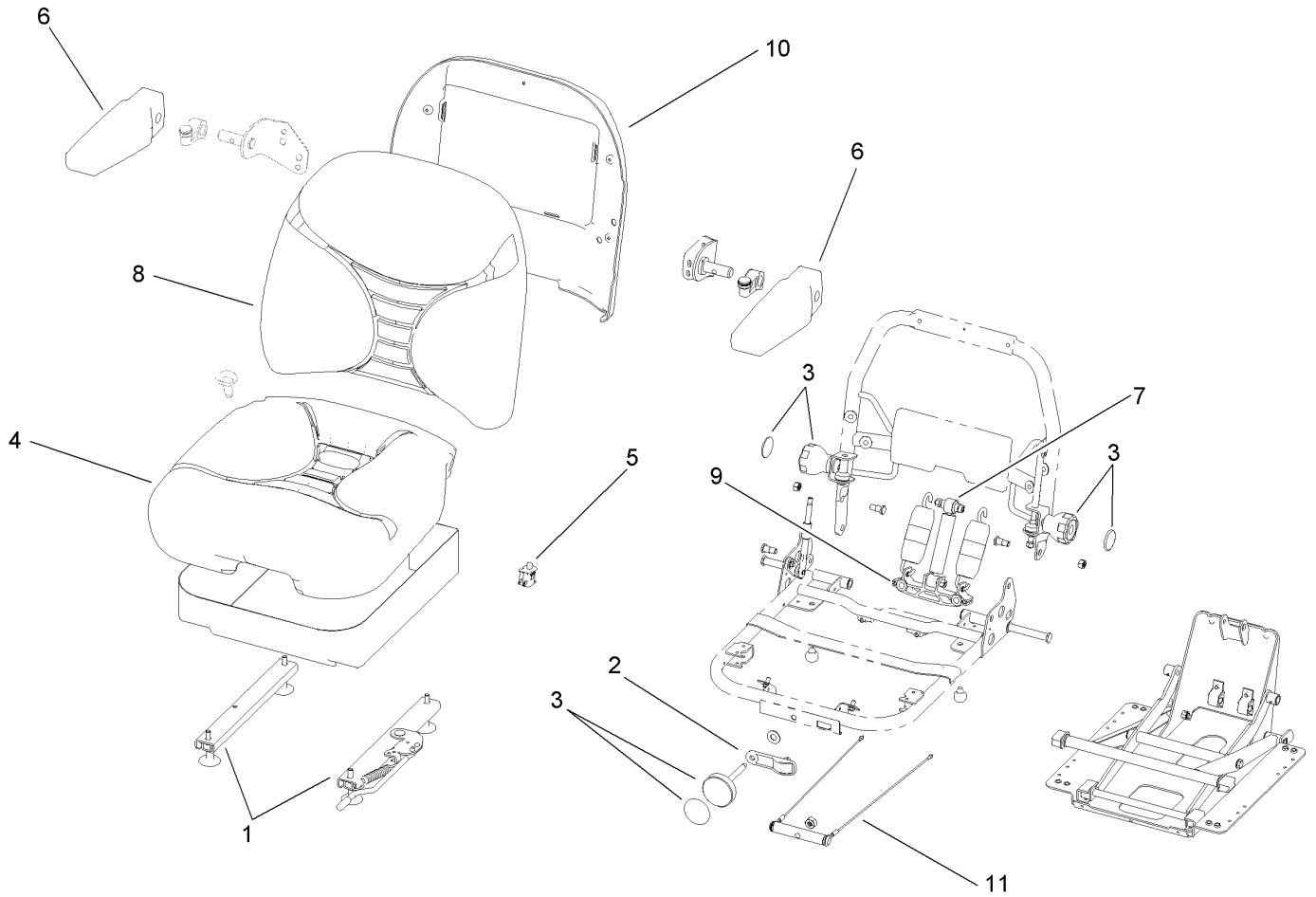
Ref	Part No.	Qty.	Description
15	92-2379	11	Clamp-Hose
16	3290-378	2	Tie-Cable
17	32149-8	3	Nut-Keps
18	32144-110	1	Screw-HWH
19	92-1239	1	Spacer-Support
20	2412-89	2	Clamp
21	110-8252	1	Decal-Instructions, Service
22	107-4543	4	Clamp
23	322-10	4	Screw-HH
24	104-8300	4	Nut-Flange, NI
25	110-5539	1	Spacer
26	105-6814	2	Washer-Plain
27	323-39	1	Screw-HH
28	104-8301	2	Nut-Flange, NI
29	110-5540-03	1	Cover-Toolbox
30	112-6349	6	Screw-HWH
31	110-9662	1	Hose-Fuel
32	108-2024	1	Hinge
33	3234-4	1	Screw-HHF
34	2412-137	1	Clamp-R, Double
35	3290-412	2	Rivet
36	3256-24	2	Washer-Flat
37	95-1905	2	Washer-Rubber
38	112-9561	4	Pad-Foam



### Seat Assembly

Ref	Part No.	Qty.	Description
1	110-9774	1	Decal-Safety
2	104-7050	1	Housing-Manual
3	104-7048	1	Cap-Housing
4	2412-133	2	R-Clamp
5	108-5238-03	2	Angle-Latch
6	110-5512	1	Lever-Stop, Seat
7	108-5243	2	Lever-Latch
8	107-2272-03	1	Plate-Seat
9	107-2286	1	Seat ASM
10	3256-23	2	Washer-Flat
11	3256-25	2	Washer-Flat
12	3212-4	2	Screw-HH
13	108-5240	1	Latch ASM
14	237-164	1	Grommet
15	322-6	1	Screw-HH
16	100-4928	1	Belt-Seat
17	106-4048	1	Spring-Torsion
18	110-5513	1	Link-Seat
19	3230-2	4	Bolt-CARR
20	104-8300	9	Nut-Flange, NI
21	104-1429	1	Spacer-Plain
22	32144-14	2	Screw-HWHTF
23	112-1686	1	Pin-Clevis
24	105-7004	2	E-Ring

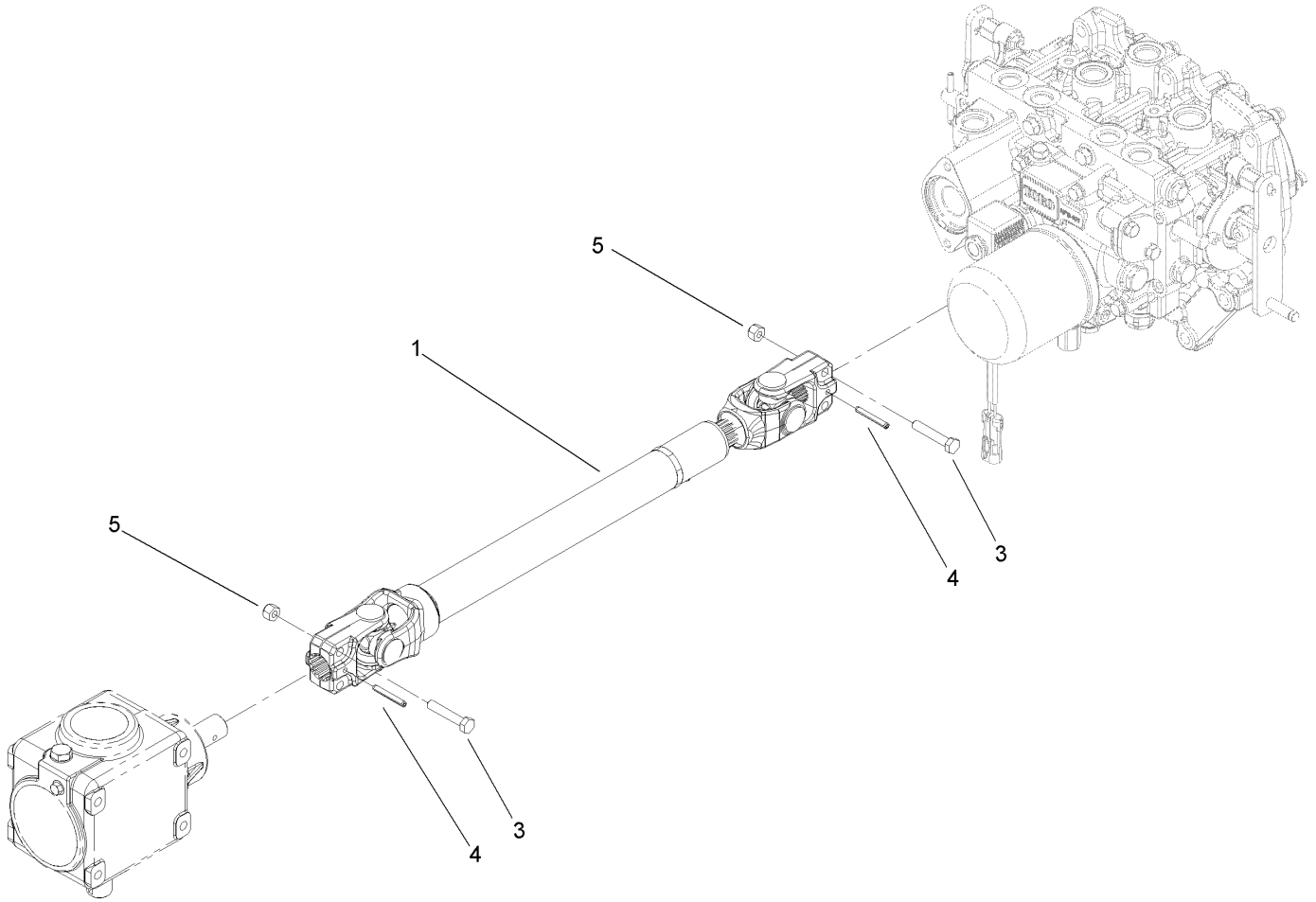
Ref	Part No.	Qty.	Description
25	99-7667	2	Washer-Flat



### Seat Assembly No. 107-2286

Ref	Part No.	Qty.	Description
1	107-1880	1	Seat Track Kit
2	107-1885	1	Weight Indicator Kit
3	107-1881	1	Knob Kit
4	107-1883	1	Bottom Cushion Kit
5	82-2190	1	Switch-Bail
6	107-1887	1	Armrest Kit
7	107-1884	1	Shock Absorber Kit
8	107-1882	1	Back Cushion Kit
9	109-3343	1	Spring And Saddle Kit
10	109-3344	1	Back Panel Kit
11	109-3345	1	Weight Adjust Kit

--	--	--	--



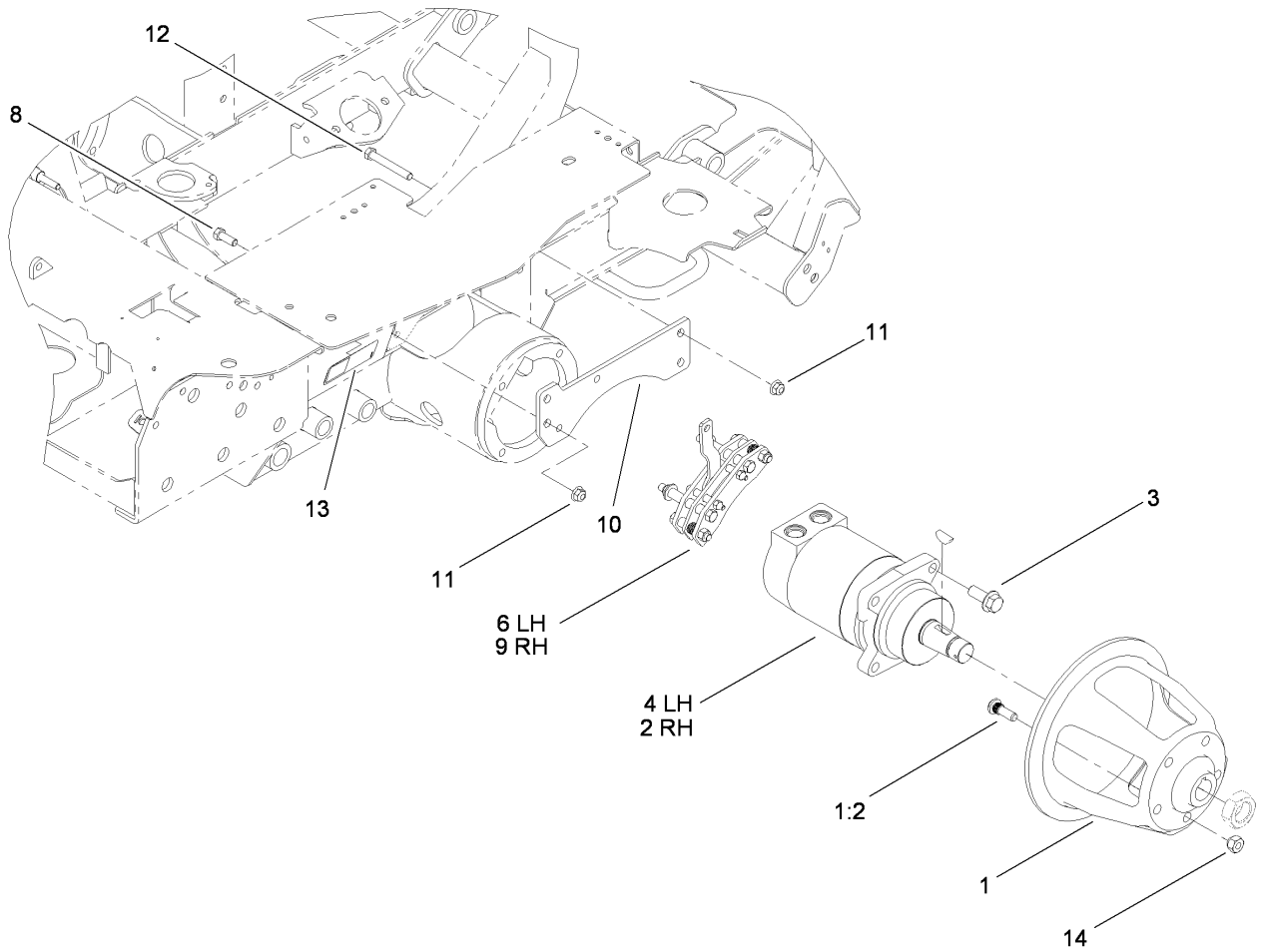
## Driveshaft Assembly

Ref	Part No.	Qty.	Description
1	110-3575	1	Driveshaft
3	322-9	4	Screw-HH
4	32121-34	2	Pin-Roll
5	3296-29	4	Nut-Lock, NI

--	--	--	--

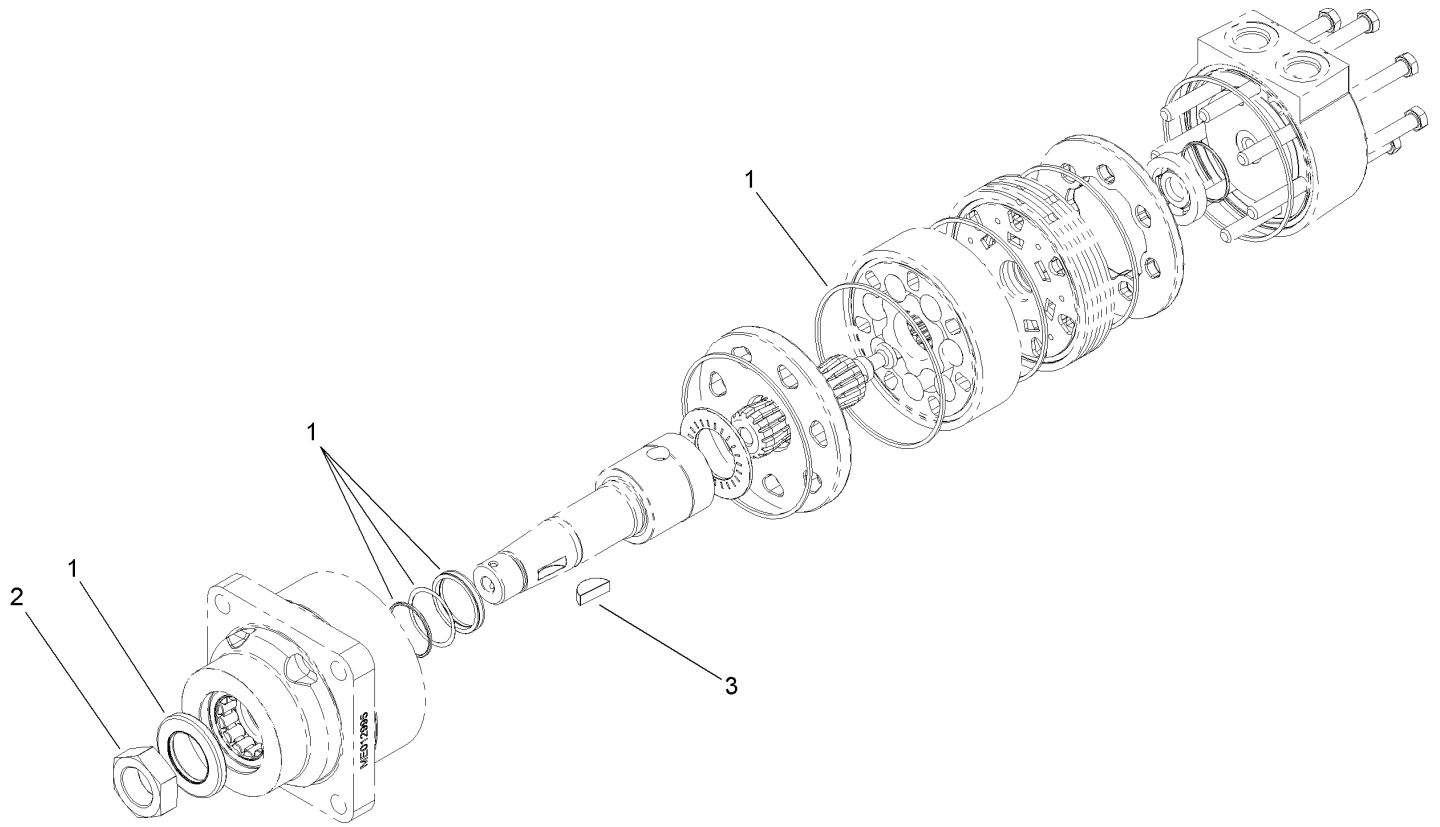






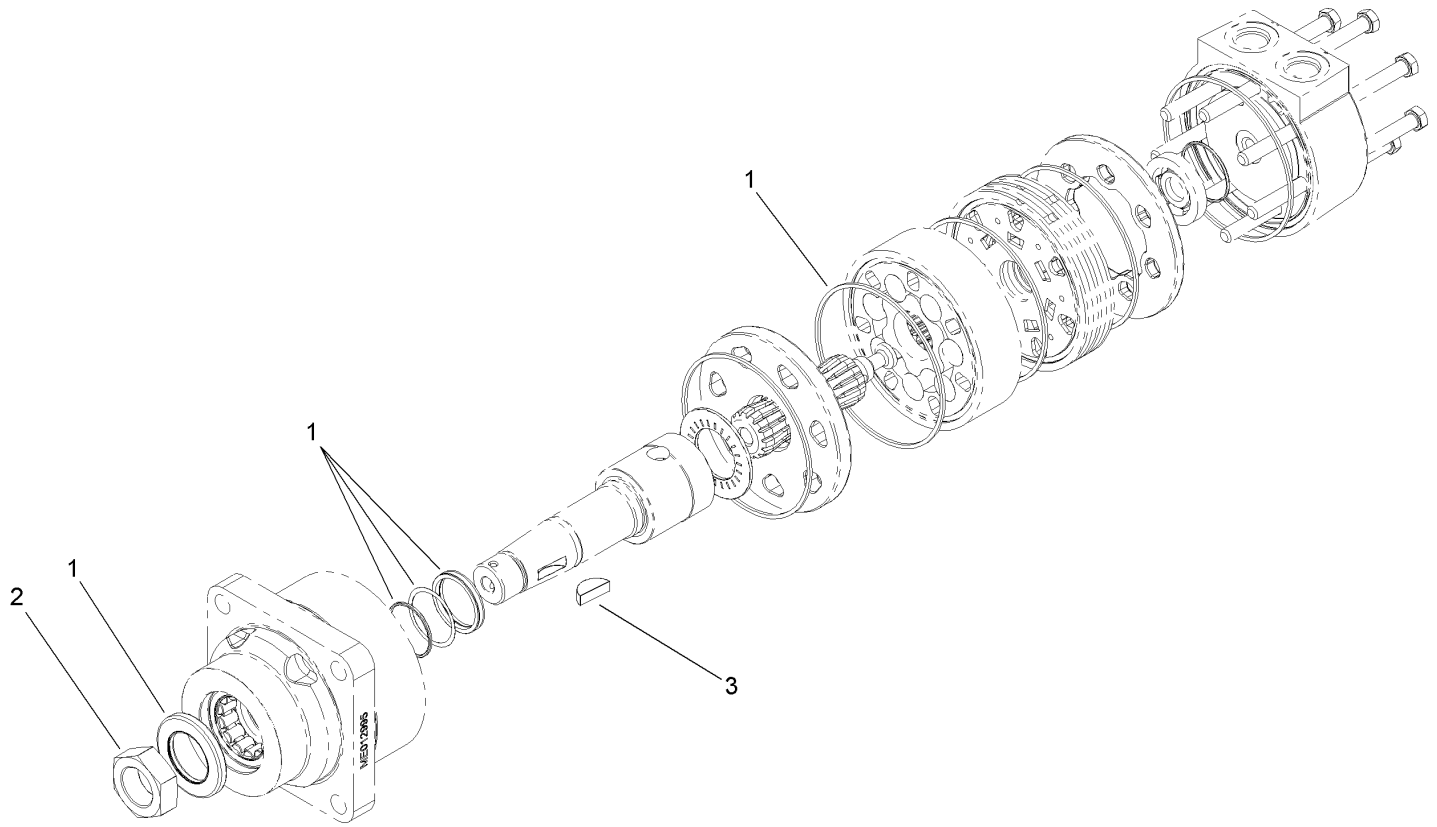
## Rear Drive Assembly

Ref	Part No.	Qty.	Description
1	110-5535	2	Wheel Hub ASM
1:2	87-8730	5	Stud
2	108-5230	1	RH HYD Motor ASM
3	100-6116	8	Screw-HHF
4	108-5155	1	LH HYD Motor ASM
6	108-5151	1	Caliper-Brake, LH
8	323-6	4	Screw-HH
9	108-5150	1	Caliper-Brake, RH
10	112-9550-03	2	Bracket-Brake
11	104-8301	8	Nut-Flange, NI
12	323-14	4	Screw-HH
13	106-9206	2	Decal-Torque, Wheel
14	23-7270	10	Nut-Wheel

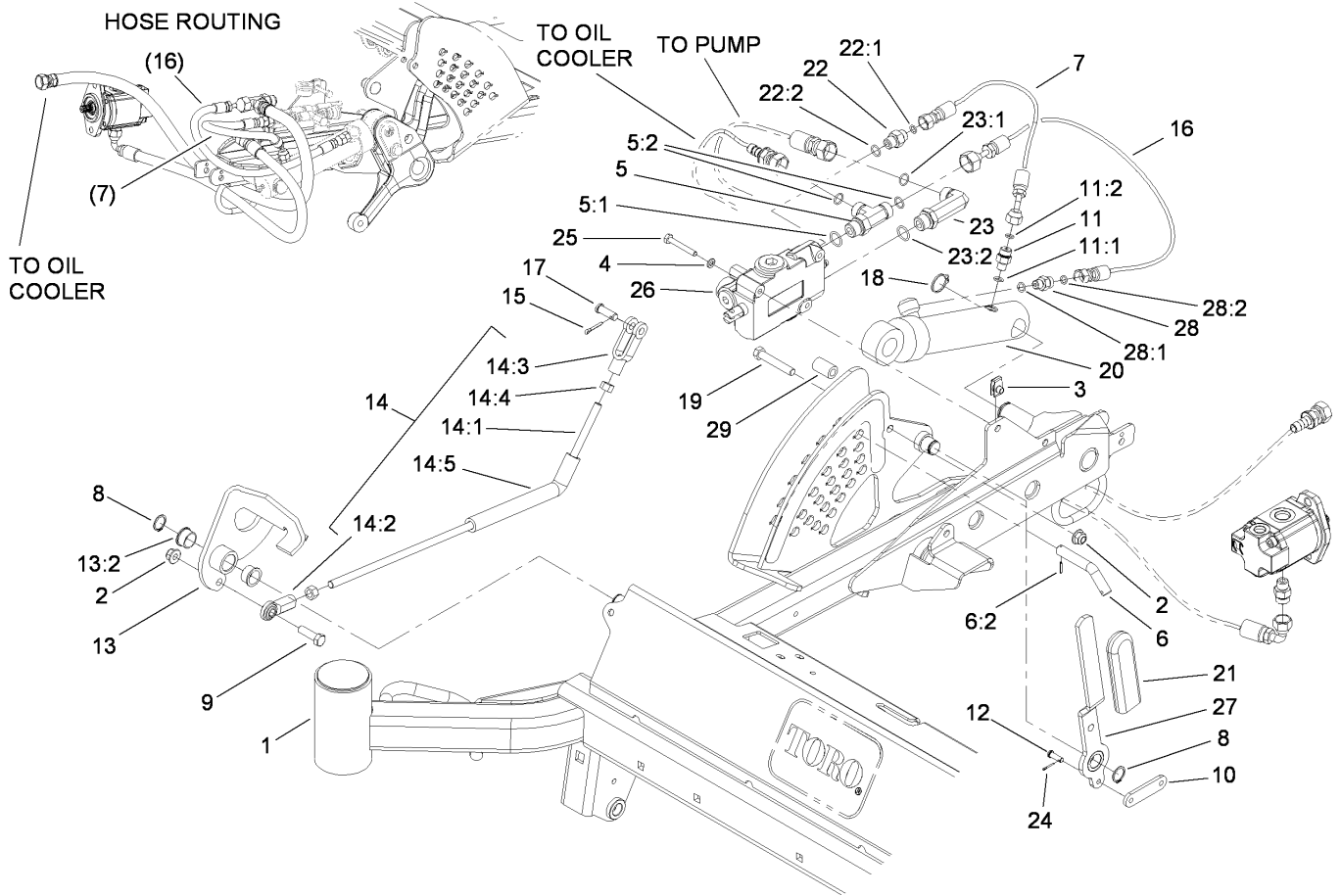
## Hydraulic Motor Assembly No. 108-5230

Ref	Part No.	Qty.	Description	
1	112-8405	1	Seal Kit	
2	107-9319	1	Nut-Hex	
3	3257-42	1	Key-Woodruff	



## Hydraulic Motor Assembly No. 108-5155

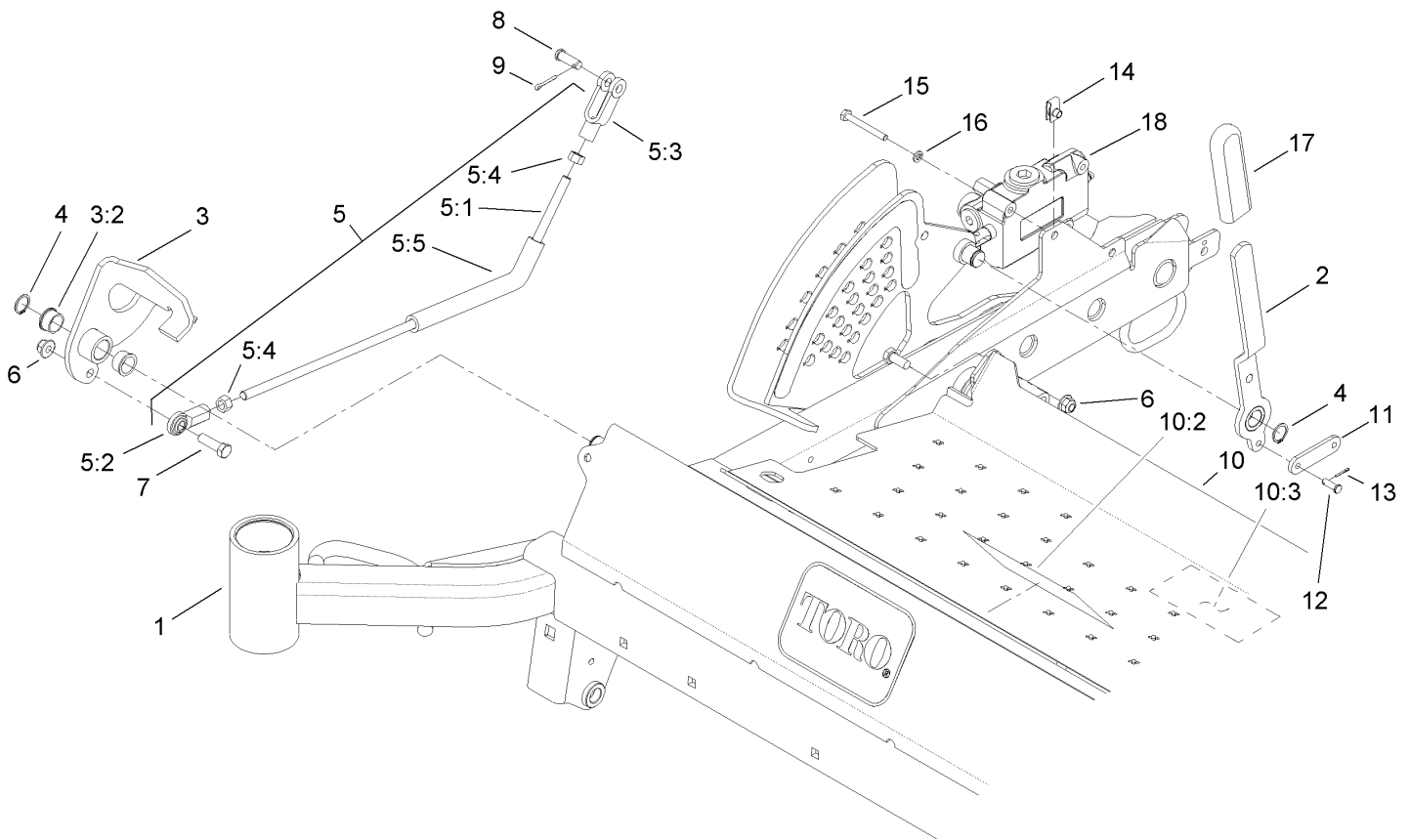
Ref	Part No.	Qty.	Description
1	112-8405	1	Seal Kit
2	107-9319	1	Nut-Hex
3	3257-42	1	Key-Woodruff



## Carrier Frame and Valve Assembly

Ref	Part No.	Qty.	Description
1	114-4087	1	Carrier Frame Kit ASM
2	104-8301	2	Nut-Flange, NI
3	107069	2	Clip
4	3253-3	2	Washer-Lock
5	340-109	1	Fitting-HYD, Tee
5:1	237-79	1	O-Ring
5:2	237-30	2	O-Ring
6	112-1621	1	Pin-HOC
6:2	32121-107	1	Pin-Roll, Slotted
7	110-8966	1	Hose ASM
8	32120-72	2	Ring-Snap
9	323-7	1	Screw-HH
10	114-4042	1	Link
11	95-1639	1	Fitting-HYD
11:1	237-78	1	O-Ring
11:2	237-21	1	O-Ring
12	1-808265	2	Pin-Clevis
13	112-9534	1	Pedal ASM
13:2	256-252	2	Bearing-Flange
14	112-9539	1	Link ASM
14:1	112-9535	1	Rod-Threaded
14:2	103-0608	1	Joint-Ball, End
14:3	1-633131	1	Yoke-Linkage, Brake
14:4	3219-3	2	Nut-Hex

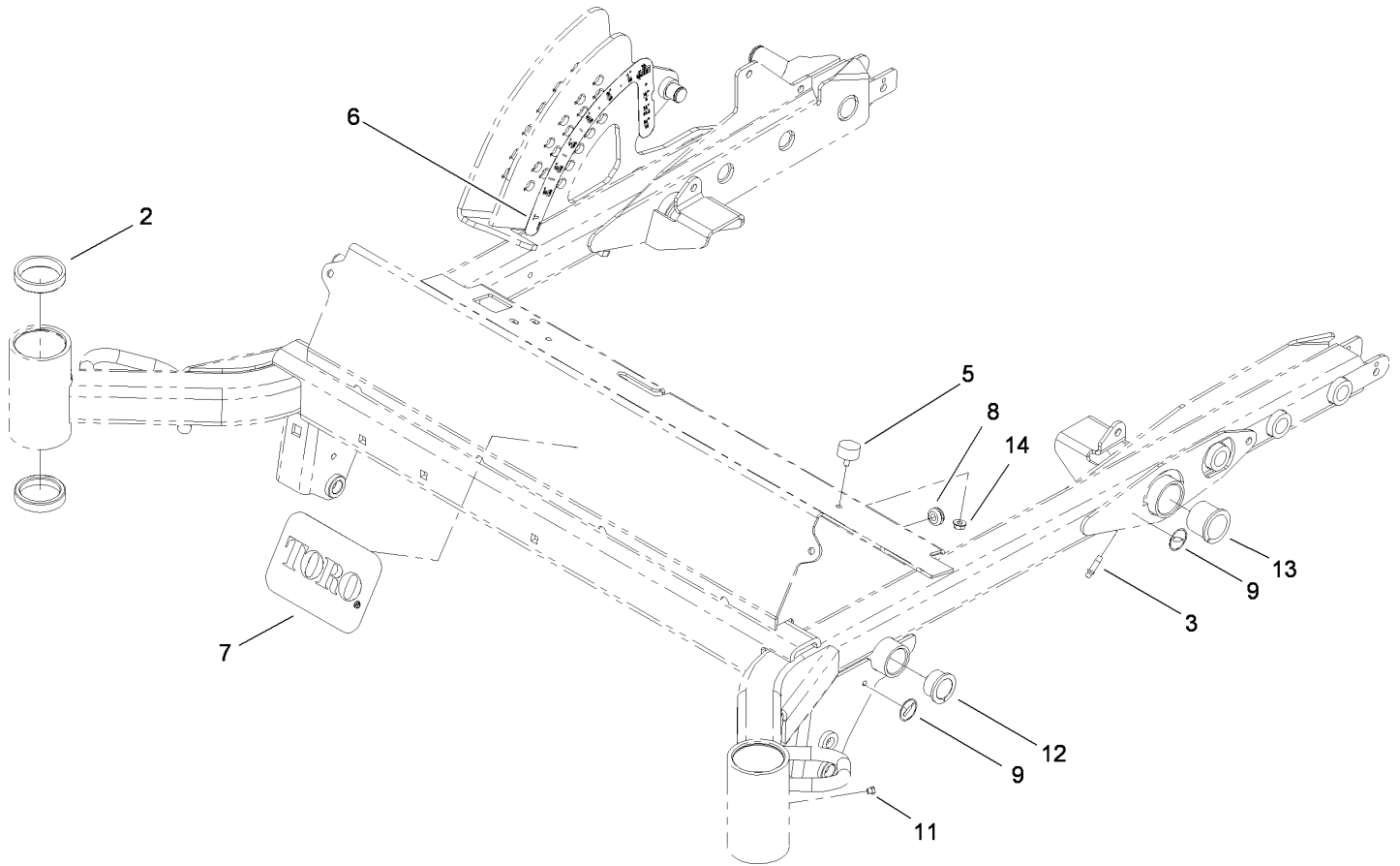
Ref	Part No.	Qty.	Description
14:5	114-4041	1	Hose-Foam
15	3272-10	1	Pin-Cotter
16	112-6324	1	Hose ASM
17	283-2	1	Pin-Clevis
18	32151-36	1	Ring-Retaining
19	323-11	1	Screw-HH
20	110-9834	1	Cylinder-HYD
21	1-633268	1	Grip-Lever, Brake
22	340-1	1	Adapter
22:1	237-21	1	O-Ring
22:2	237-42	1	O-Ring
23	99-6160	1	Fitting-Elbow, 90 DEG
23:1	237-30	1	O-Ring
23:2	237-79	1	O-Ring
24	3272-1	2	Pin-Cotter
25	321-18	2	Screw-HH
26	114-2877	1	Valve ASM
27	114-4027-03	1	Lever ASM
28	340-92	1	Fitting-HYD, Straight
28:1	237-78	1	O-Ring
28:2	237-21	1	O-Ring
29	115-1425	1	Spacer



## Carrier Frame Kit Assembly No. 114-4087

Ref	Part No.	Qty.	Description
1		1	Carrier Frame ASM
2	114-4027-03	1	Lever ASM
3	112-9534	1	Pedal ASM
3:2	256-252	2	Bearing-Flange
4	32120-72	2	Ring-Snap
5	112-9539	1	Link ASM
5:1	112-9535	1	Rod-Threaded
5:2	103-0608	1	Joint-Ball, End
5:3	1-633131	1	Yoke-Linkage, Brake
5:4	3219-3	2	Nut-Hex
5:5	114-4041	1	Hose-Foam
6	104-8301	3	Nut-Flange, NI
7	323-7	1	Screw-HH
8	283-2	1	Pin-Clevis
9	3272-10	1	Pin-Cotter
10	114-4048	1	Floor Plate ASM
10:2	107-1866	1	Decal-Danger, Slope
10:3	112-1461	1	Decal-Routing, Belt
11	114-4042	1	Link
12	1-808265	2	Pin-Clevis
13	3272-1	2	Pin-Cotter
14	107069	2	Clip
15	321-18	2	Screw-HH
16	3253-3	2	Washer-Lock

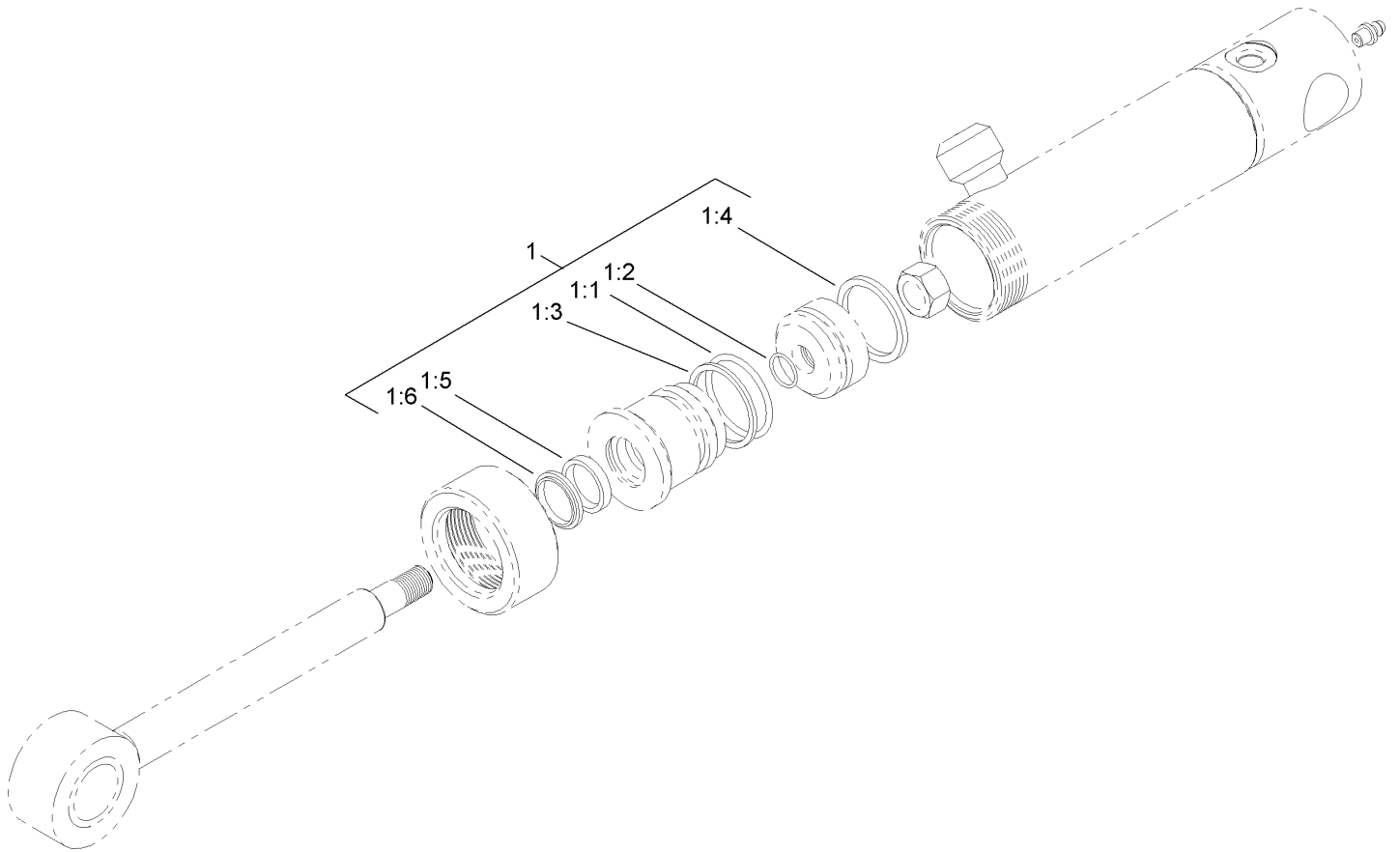
Ref	Part No.	Qty.	Description
17	1-633268	1	Grip-Lever, Brake
18	114-2877	1	Valve ASM



### Carrier Frame Assembly

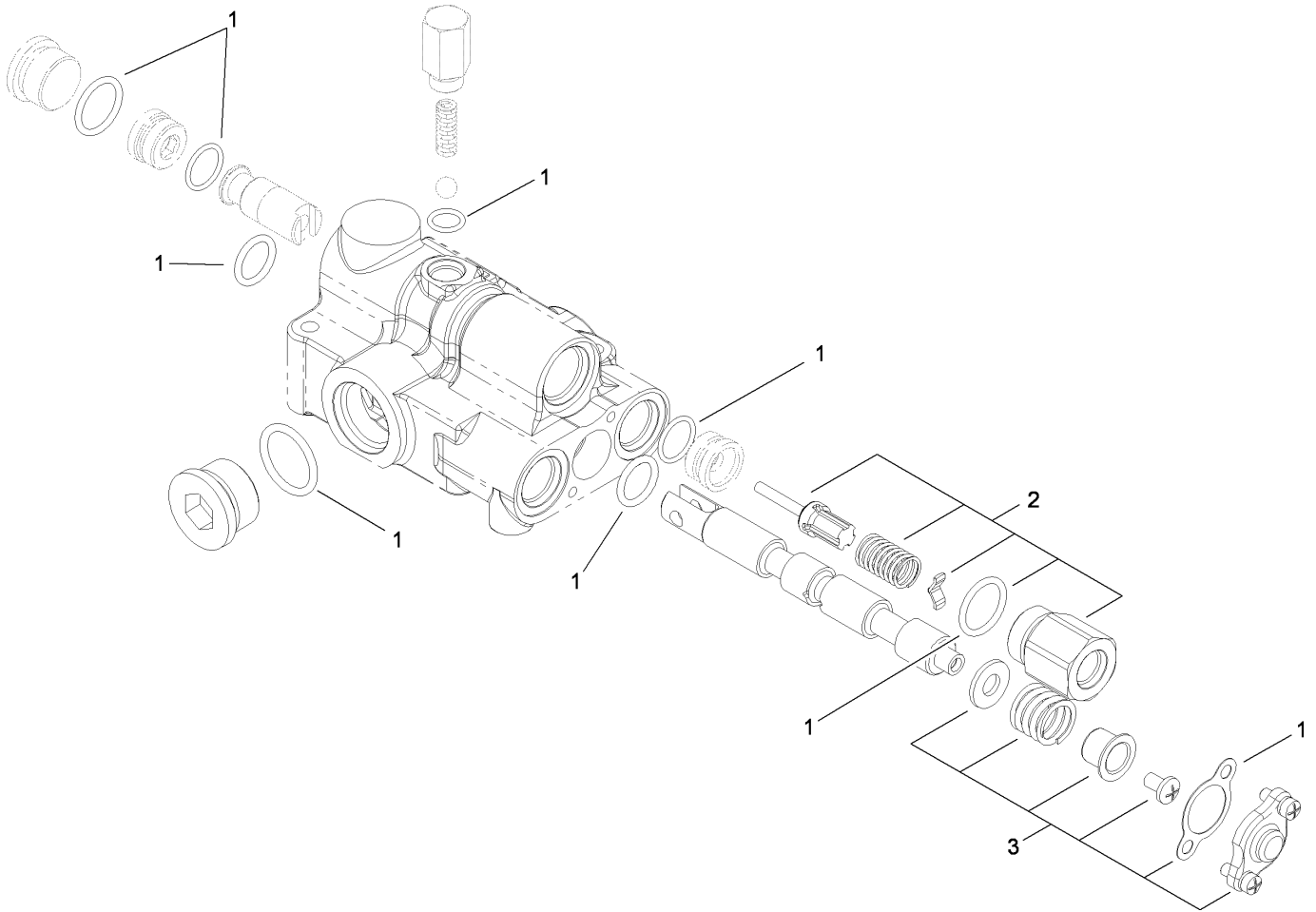
Ref	Part No.	Qty.	Description
2	254-107	4	Cup-Bearing, Tapered
3	302-64	2	Fitting-Grease
5	240-14	4	Bumper-Rubber
6	112-1620	1	Decal-HOC
7	99-4693	1	Decal
8	237-141	1	Grommet-Rubber
9	58-6520	4	Decal-Grease
11	1-811010	2	Plug
12	94-7574	2	Bushing-Flanged
13	256-268	2	Bushing
14	104-7201	4	Nut-HF

--	--	--	--



### Hydraulic Cylinder Assembly No. 110-9834

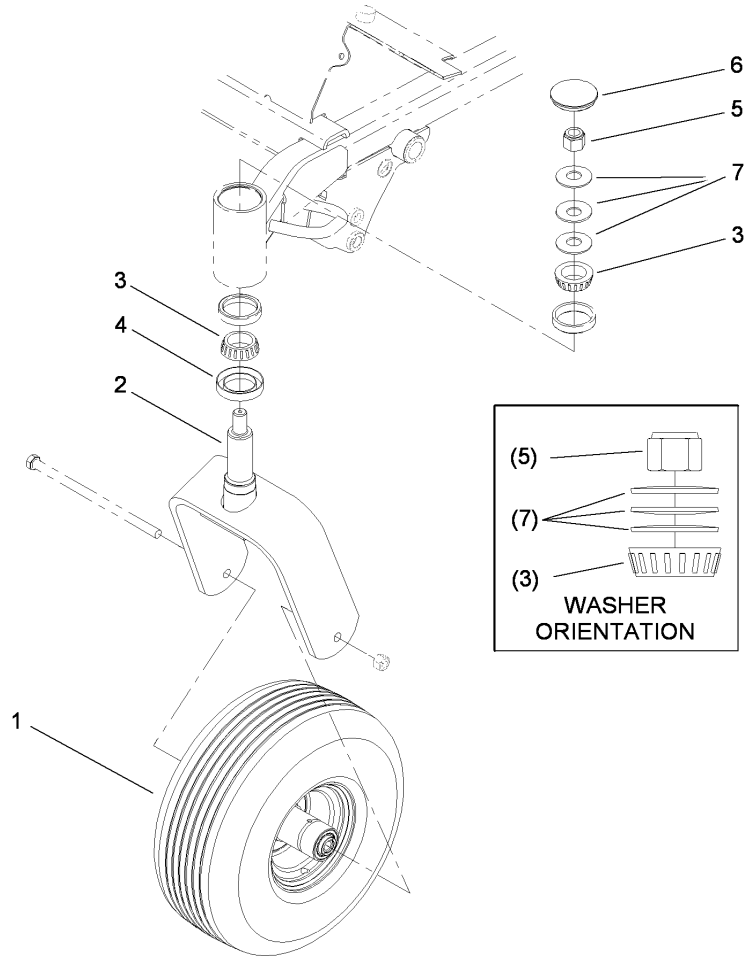
Ref	Part No.	Qty.	Description
1	112-6353	1	Seal Kit
● 1:1		1	O-Ring
● 1:2		1	O-Ring
● 1:3		1	Backup
● 1:4		1	Seal-Bp
● 1:5		1	Seal-Rod
● 1:6		1	Seal-Dust



### Hydraulic Valve Assembly No. 114-2877

Ref	Part No.	Qty.	Description
1	110-6442	1	Seal Kit
2	110-6441	1	Pilot Check Kit
3	114-2889	1	Spring Center Kit

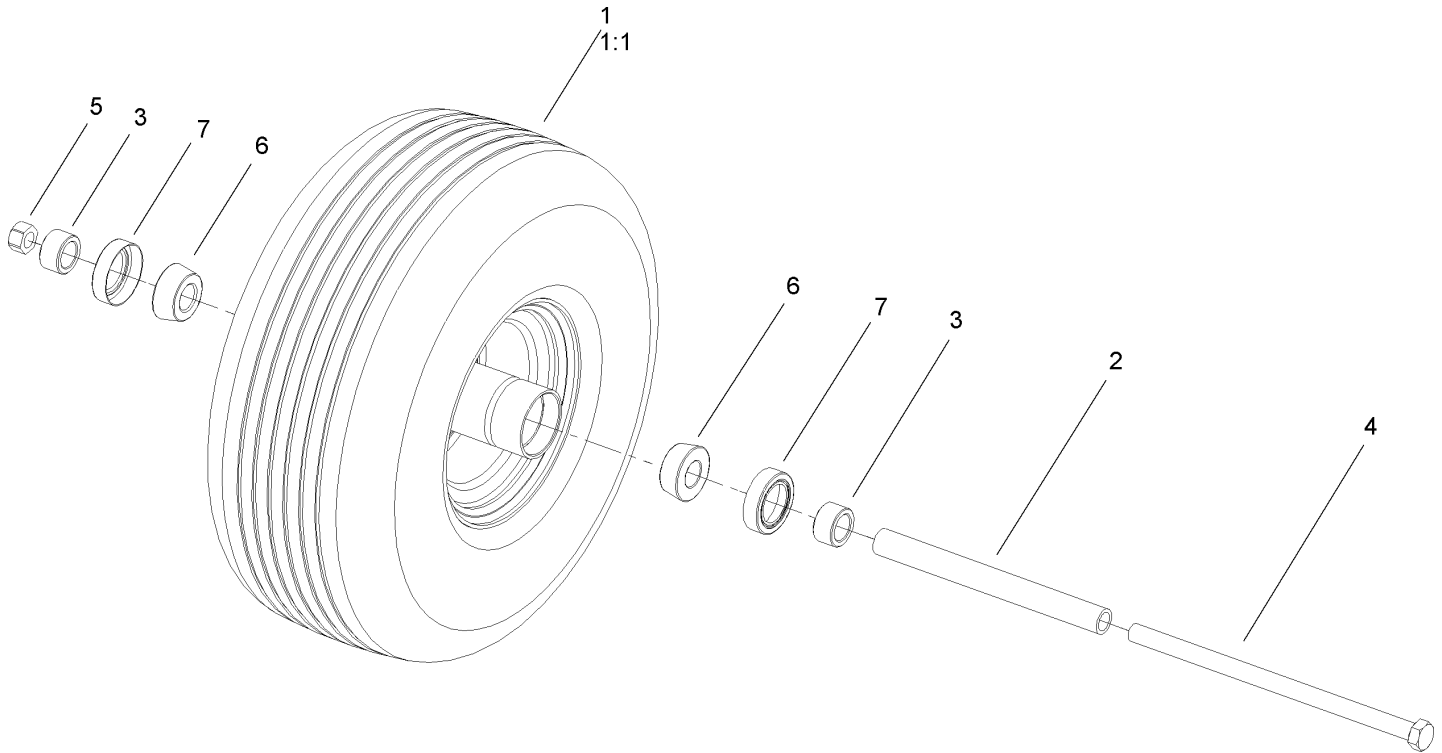


## Caster Fork Assembly

Ref	Part No.	Qty.	Description
1	108-9954	2	Caster Wheel ASM
2	108-9946-03	2	Fork-Caster
3	254-106	4	Cone-Bearing, Tapered
4	69-2980	2	Seal
5	3296-51	2	Nut-Lock, NI
6	108-9950	2	Cap-Grease
7	108-9957	6	Washer-Belleville

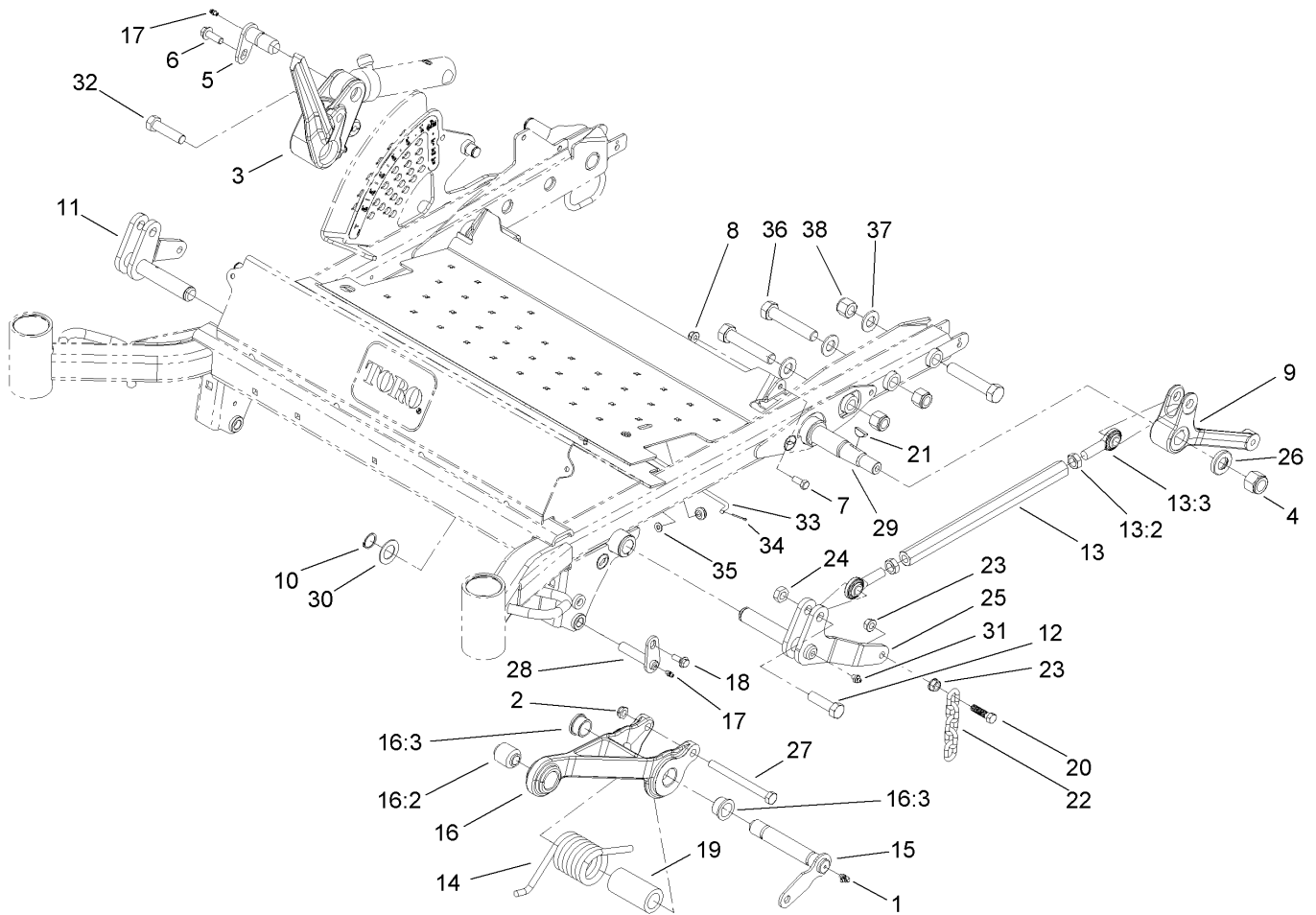
--	--	--	--



### Caster Wheel Assembly No. 108-9954

Ref	Part No.	Qty.	Description
1	108-9956	1	Tire And Wheel ASM
1:1	108-9955	1	Tire
2	1-633959	1	Spacer-Caster, Front
3	1-633581	2	Spacer-Bearing
4	325-39	1	Screw-HH
5	3296-25	1	Nut-Lock, NI
6	1-633585	2	Bearing-Cone, Taper
7	1-633580	2	Seal-Bearing

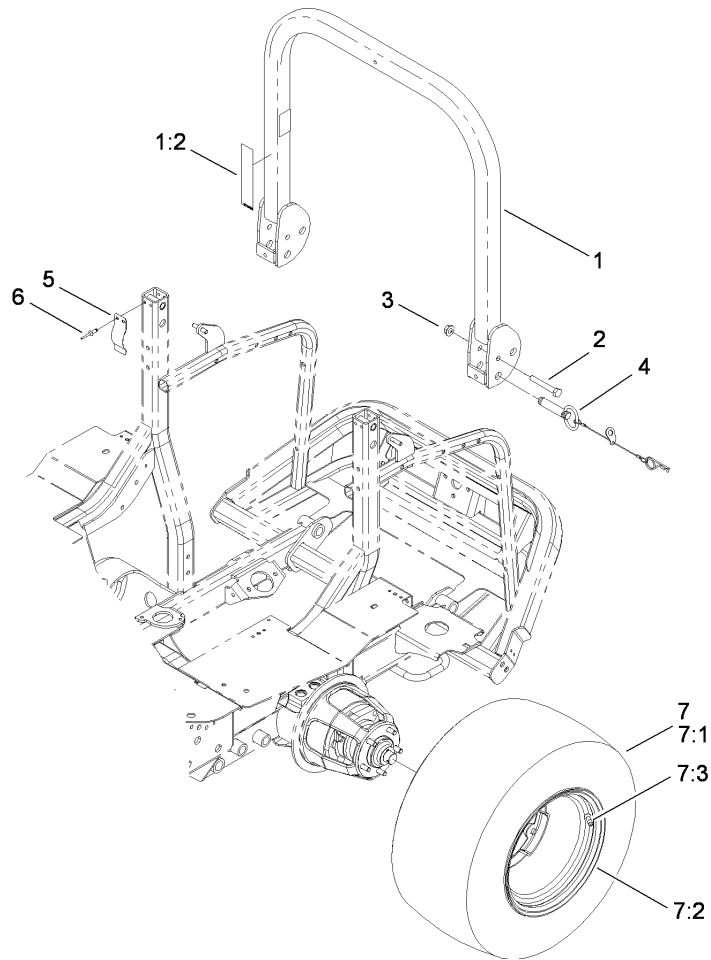
Ref	Part No.	Qty.	Description



## Deck Linkage Assembly

Ref	Part No.	Qty.	Description
1	302-60	4	Fitting-Grease, 90 DEG
2	3296-45	2	Nut-Lock, NI
3	112-1635-03	1	Arm-Lift, RH
4	94-8000	2	Nut-Hex
5	98-2654	1	Pivot Pin ASM
6	3234-15	1	Screw
7	323-5	2	Screw-HH
8	104-8301	2	Nut-Flange, NI
9	112-1637-03	1	Arm-Lift, LH
10	32151-29	2	Ring-Retaining
11	110-9820-03	1	RH Lift ASM
12	327-22	3	Screw-HH
13	114-4059	2	Link ASM
13:2	3220-6	2	Nut-Jam
13:3	1-633029	2	Balljoint-Spherical
14	110-9828	2	Spring-Torsion
15	112-1622	2	Pin
16	112-1625	2	Pull Link ASM
16:2	107-2328	1	Bushing
16:3	114-5680	2	Bushing-Flange
17	302-5	3	Fitting-Grease
18	32144-41	2	Screw-Taptite
19	110-9845	2	Spacer-Plain
20	103-1898	4	Screw-HH

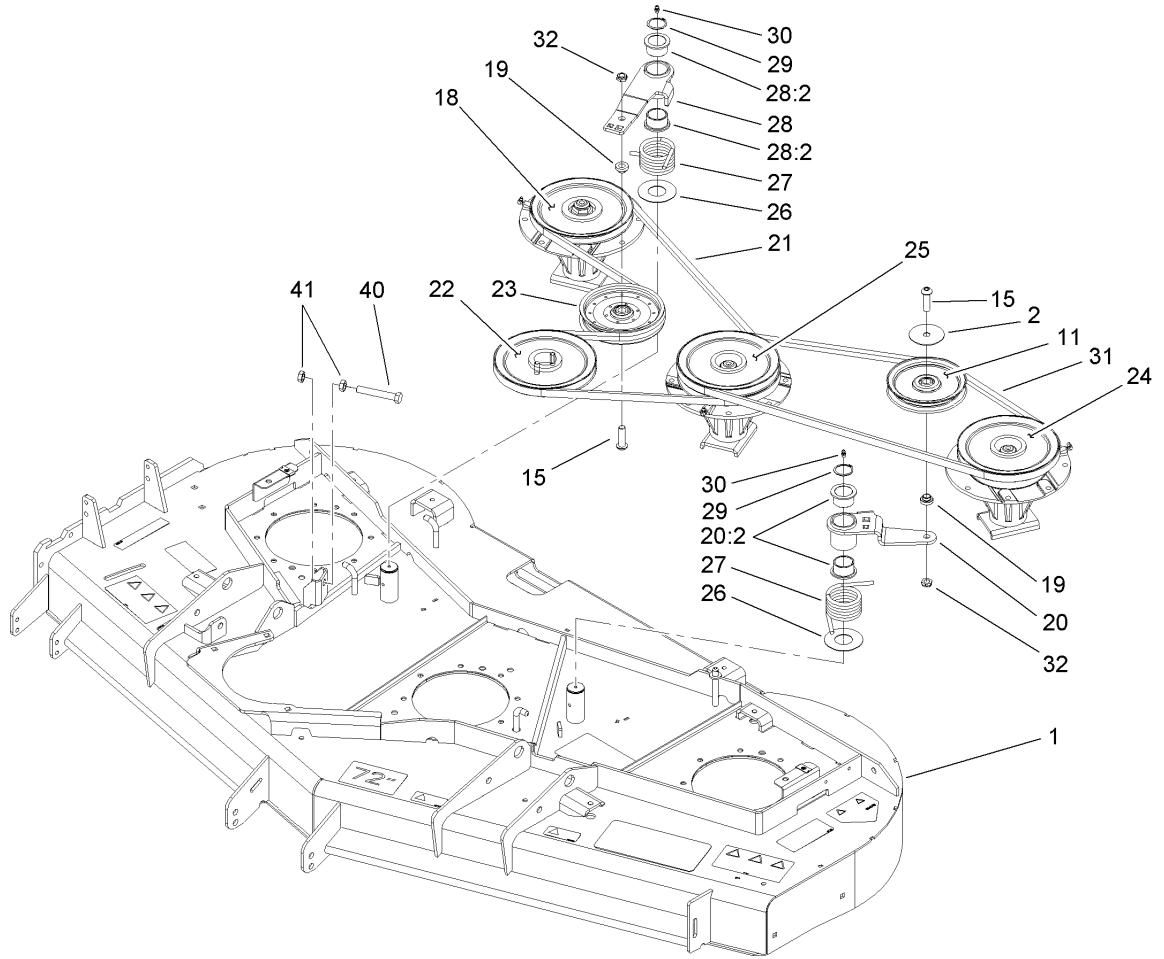
Ref	Part No.	Qty.	Description
21	3257-42	2	Key-Woodruff
22	1-633447	4	Chain-Lift, Deck
23	32128-37	6	Nut-HF
24	3296-61	3	Nut-Lock
25	110-9818-03	1	LH Lift ASM
26	112-9585	2	Washer-Hardened
27	325-22	2	Screw-HH
28	112-1602	2	Pin-Retainer
29	112-9522-03	1	Shaft-Lift, Deck
30	69-9010	2	Washer
31	302-2	2	Fitting-Grease
32	327-7	1	Screw-HH
33	110-9847	1	Rod-Prop
34	3272-6	1	Pin-Cotter
35	3256-22	1	Washer-Flat
36	328-7	5	Screw-HH
37	92-5836	5	Washer
38	3296-51	5	Nut-Lock, NI



## Roll-Over Protection System and Rear Wheel Assembly

Ref	Part No.	Qty.	Description
1	110-9770	1	Upper ROPS ASM
1:2	107-3069	1	Decal-Warning, Folding ROPS (Ce)
2	325-13	2	Screw-HH
3	32128-23	2	Nut-HF
4	103-4553	2	ROPS Fold Pin ASM
5	110-5696	2	Spring-Leaf
6	3290-412	4	Rivet
7	106-7864	2	Tire And Wheel ASM
7:1	106-7868	1	Tire
7:2	87-6750	1	Wheel
7:3	232-27	1	Stem-Valve

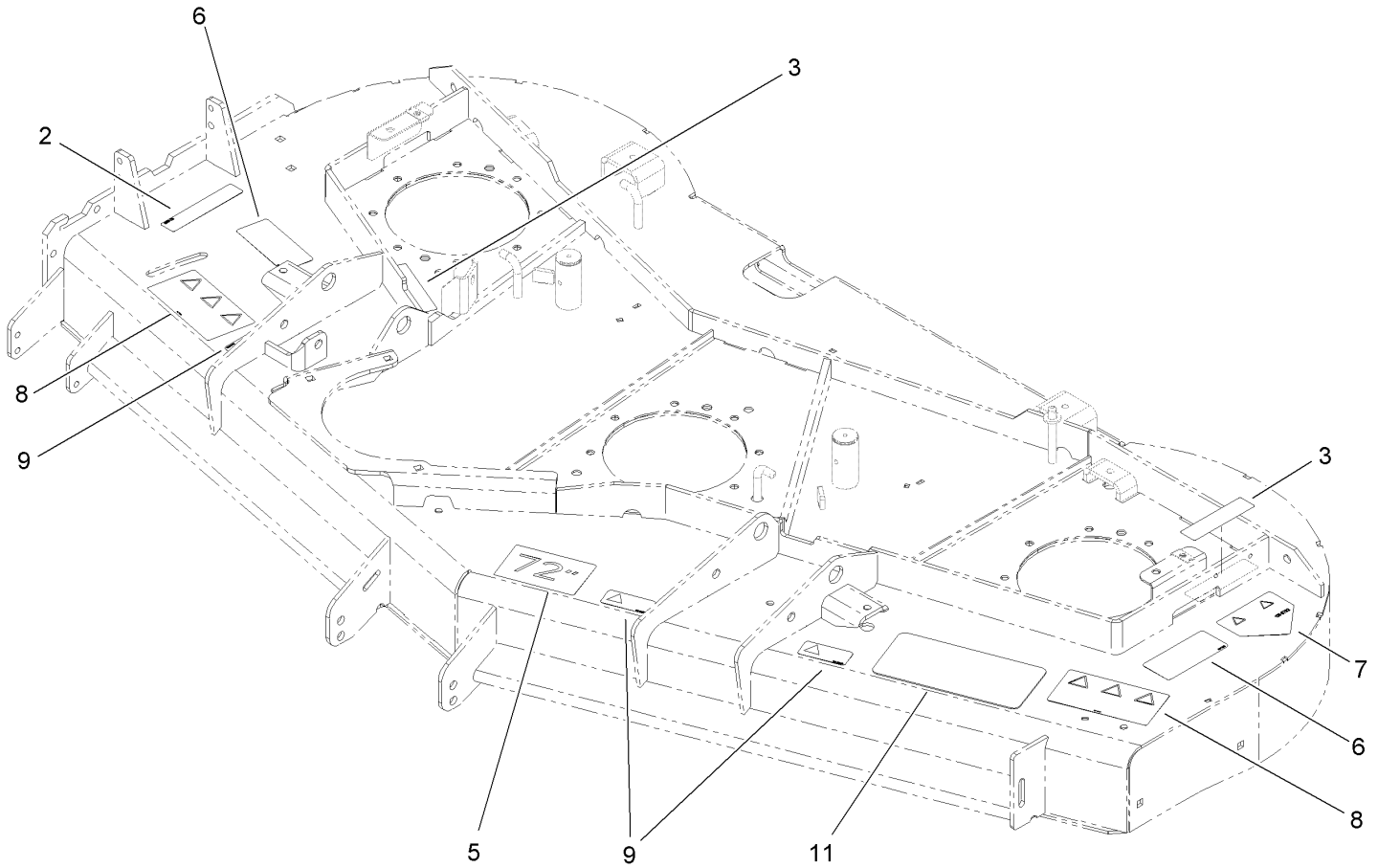
--	--	--	--



## Belt and Pulley Assembly

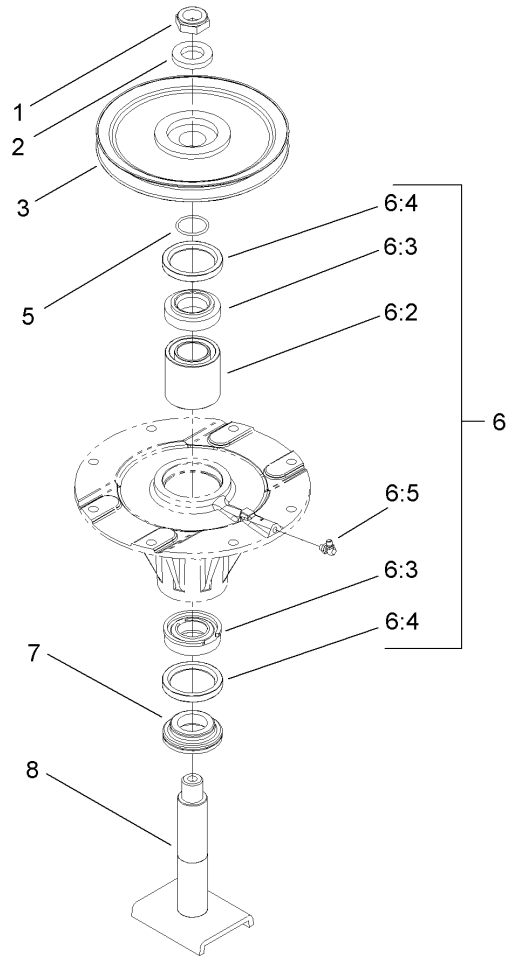
Ref	Part No.	Qty.	Description
1	108-9901	1	Deck ASM
2	100-3102	1	Washer-Flat
11	01-268-0160	1	Pulley-Idler
15	108-1993	2	Screw-HSBH
18	108-1957	1	Spindle ASM
19	108-1924	2	Spacer-Idler
20	110-3564	1	Idler Arm ASM
20:2	93-4510	2	Bushing-Caster
21	110-9592	1	Belt - V
22	107-4725	1	Pulley
23	110-9596	1	Pulley-Idler
24	110-6382	1	High Spindle ASM
25	110-6381	1	Double Spindle ASM
26	108-1926	2	Washer
27	108-1921	2	Spring-Torsion
28	108-1930	1	Idler Arm ASM
28:2	93-4510	2	Bushing-Caster
29	32120-84	2	Ring-Snap, External
30	302-5	2	Fitting-Grease
31	110-9591	1	Belt-V
32	3296-45	2	Nut-Lock, NI
40	325-14	1	Screw-HH
41	3218-5	2	Nut-Jam

--	--	--	--



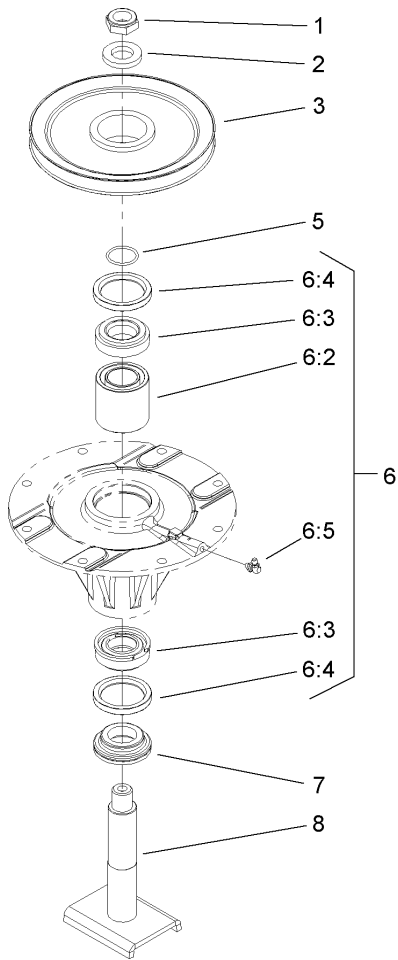
### Deck Decal Assembly No. 108-9901

Ref	Part No.	Qty.	Description
2	107-2916	1	Decal-Warning
3	100-6578	2	Decal-Danger
5	57-0280	1	Decal
6	93-7818	2	Decal-Torque, Blade Bolt
7	106-6753	1	Decal-Danger, Ce
8	107-2908	2	Decal-Danger, Combination
9	93-6696	3	Decal-Warning
11	110-0988	1	Tread-Floor, Side



### Spindle Assembly No. 108-1957

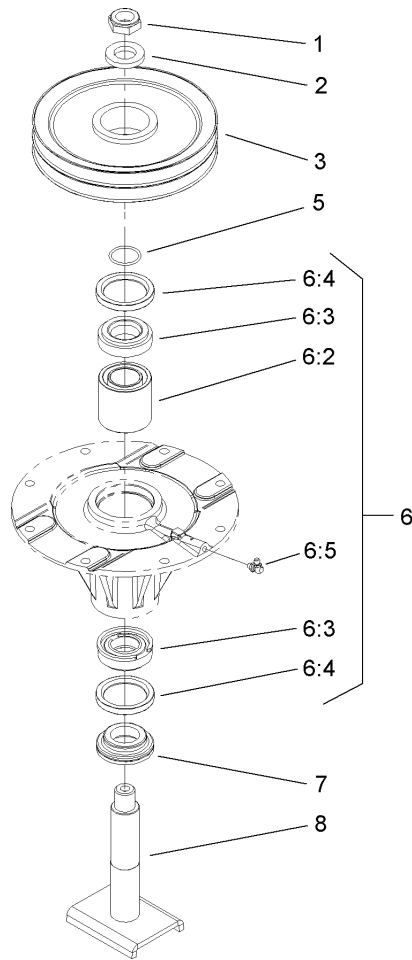
Ref	Part No.	Qty.	Description
1	3296-60	1	Nut-Lock, NI
2	104-8322	1	Washer-Hardened
3	104-3546	1	Pulley-Driven, Low
5	106-7159	1	O-Ring
6	108-1991	1	Spindle Housing ASM
6:2	108-1954	1	Spacer Set-Bearing
6:3	110-8297	1	Bearing ASM
6:4	253-154	2	Seal-Oil
6:5	302-60	1	Fitting-Grease, 90 DEG
7	69-6950	1	Spacer-Shaft, Spindle
8	108-1956	1	Shaft ASM



## Spindle Assembly No. 110-6382

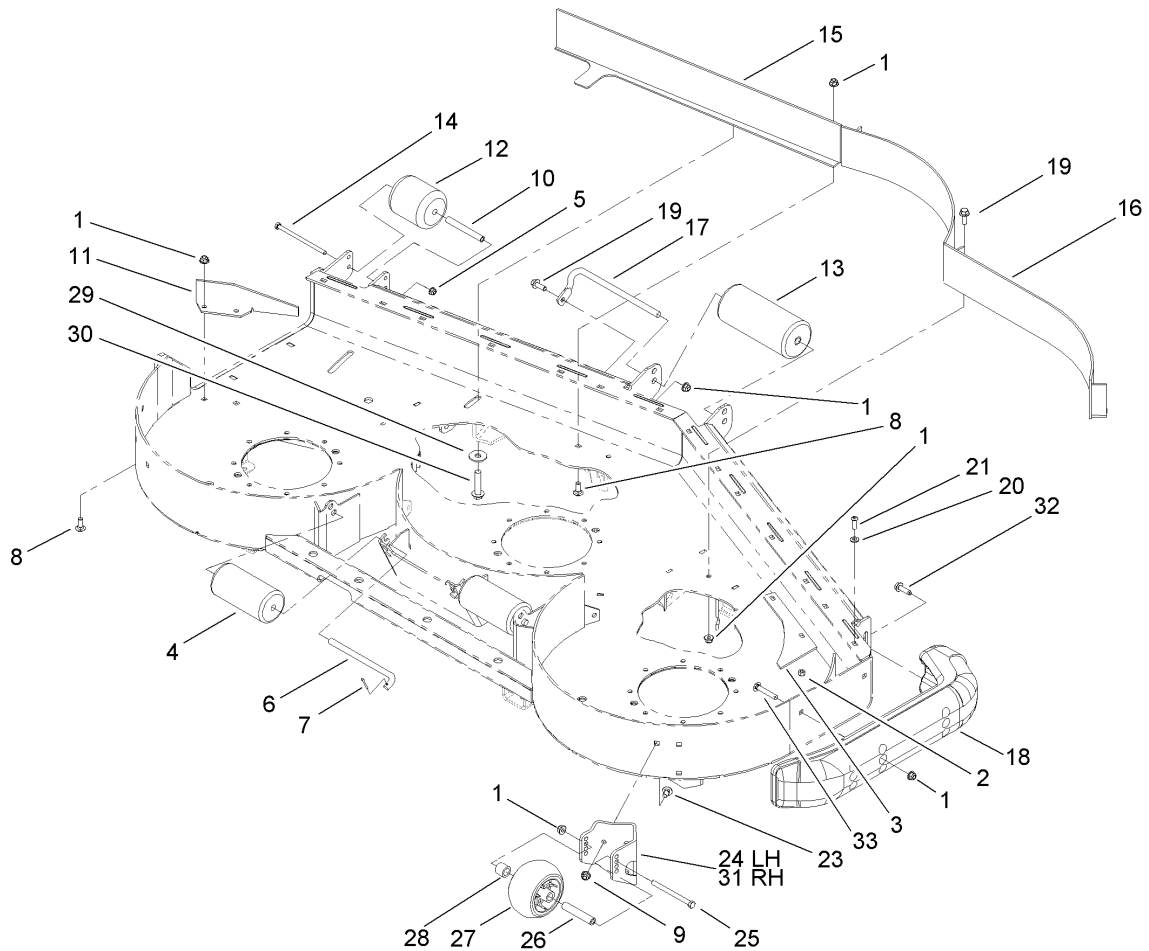
Ref	Part No.	Qty.	Description	
1	3296-60	1	Nut-Lock, NI	
2	104-8322	1	Washer-Hardened	
3	104-3548	1	Pulley-Driven, High	
5	106-7159	1	O-Ring	
6	108-1991	1	Spindle Housing ASM	
6:2	108-1954	1	Spacer Set-Bearing	
6:3	110-8297	1	Bearing ASM	
6:4	253-154	2	Seal-Oil	
6:5	302-60	1	Fitting-Grease, 90 DEG	
7	69-6950	1	Spacer-Shaft, Spindle	
8	108-1956	1	Shaft ASM	





## Spindle Assembly No. 110-6381

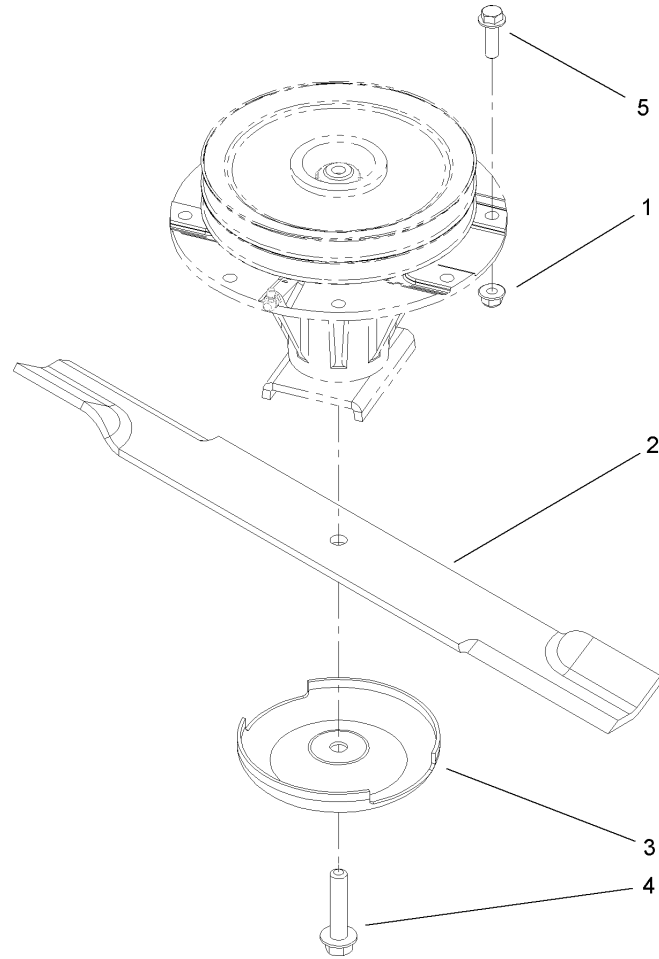
Ref	Part No.	Qty.	Description	
1	3296-60	1	Nut-Lock, NI	
2	104-8322	1	Washer-Hardened	
3	104-3547	1	Pulley-Driven, Double	
5	106-7159	1	O-Ring	
6	108-1991	1	Spindle Housing ASM	
6:2	108-1954	1	Spacer Set-Bearing	
6:3	110-8297	1	Bearing ASM	
6:4	253-154	2	Seal-Oil	
6:5	302-60	1	Fitting-Grease, 90 DEG	
7	69-6950	1	Spacer-Shaft, Spindle	
8	108-1956	1	Shaft ASM	



## Roller and Baffle Assembly

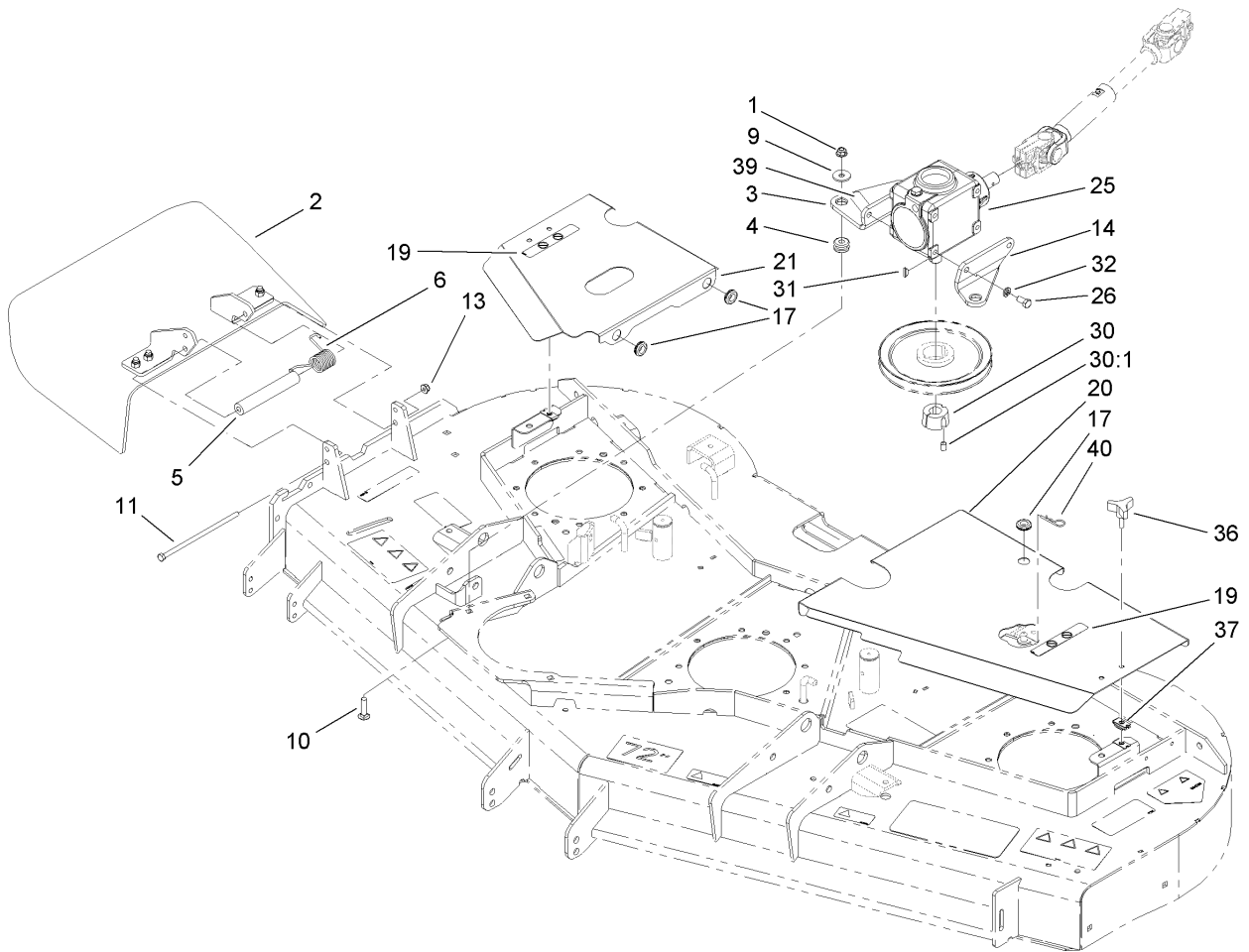
Ref	Part No.	Qty.	Description
1	104-8301	11	Nut-Flange, NI
2	3296-29	2	Nut-Lock, NI
3	107-3138	1	Plate-Turbo
4	36-1740	2	Roller-Deck
5	104-8300	1	Nut-Flange, NI
6	40-0340	2	Shaft-Roller, Rear
7	3272-11	2	Pin-Cotter
8	3231-2	3	Screw-CARR
9	3290-357	6	Nut-HHF, Whiz
10	105-4549	1	Spacer-Roller
11	106-3216-01	1	Baffle-Discharge
12	93-4803	1	Roller-Deck
13	68-6710	1	Roller
14	322-49	1	Bolt-HH
15	105-7669-01	1	Baffle ASM
16	105-7730-01	1	Baffle ASM
17	68-6840	1	Shaft-Roller
18	112-1479	1	Skid-Bumper, Deck
19	3234-42	4	Screw-HHF
20	1-303334	2	Washer-Spring
21	3274-104	2	Screw-HSBH
23	3231-1	6	Screw-CARR
24	106-7354-01	1	Mount-Wheel, LH
25	323-23	2	Screw-HH

Ref	Part No.	Qty.	Description
26	98-7912	2	Tube-Spanner
27	1-603299	2	Roller-Scalp, Anti
28	98-7913	2	Tube-Spacer
29	105-7697	2	Washer-Plastic
30	3234-46	2	Screw-HHF
31	106-7355-01	1	Plate-Roller, RH
32	9136144	1	Screw-HWHTF
33	3231-33	2	Screw-CARR



### Spindle and Blade Assembly

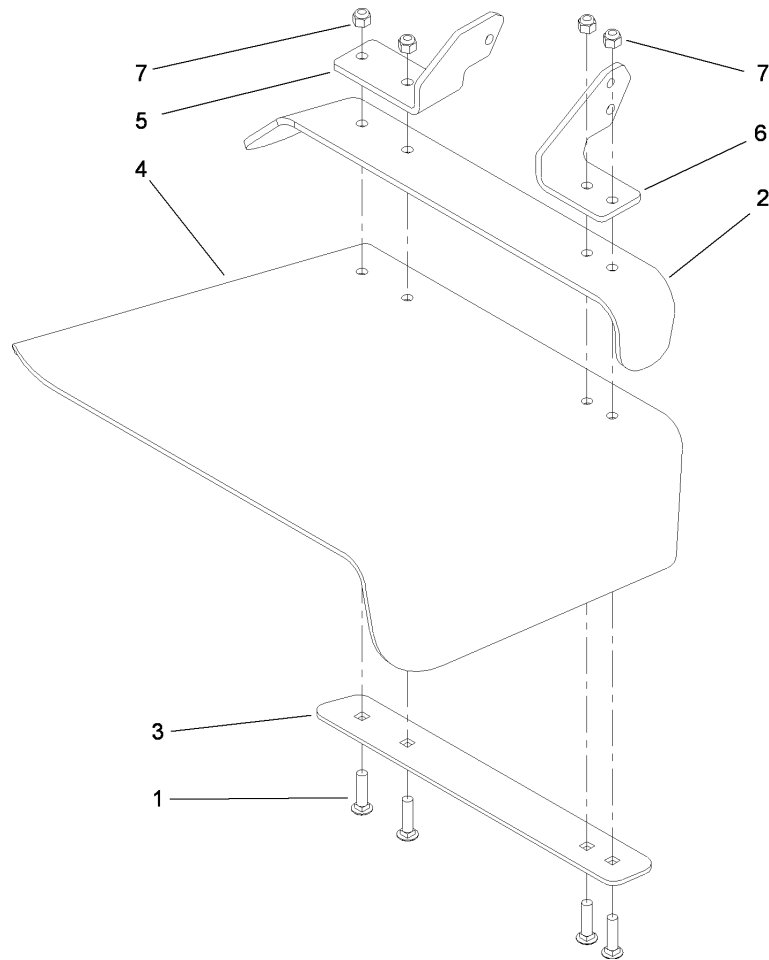
Ref	Part No.	Qty.	Description				
1	104-8301	24	Nut-Flange, NI				
2	110-0624-03	3	Blade-Rotary, Atomic (24.5)				
2	110-0621-03	3	Blade-Rotary, Med. Flow (24.5)				
3	72-9361	3	Cup-Scalp, Anti				
4	92-5816	3	Bolt-Blade				
5	3234-24	24	Screw-HHF				



## Belt Cover, Gearbox and Baffle Assembly

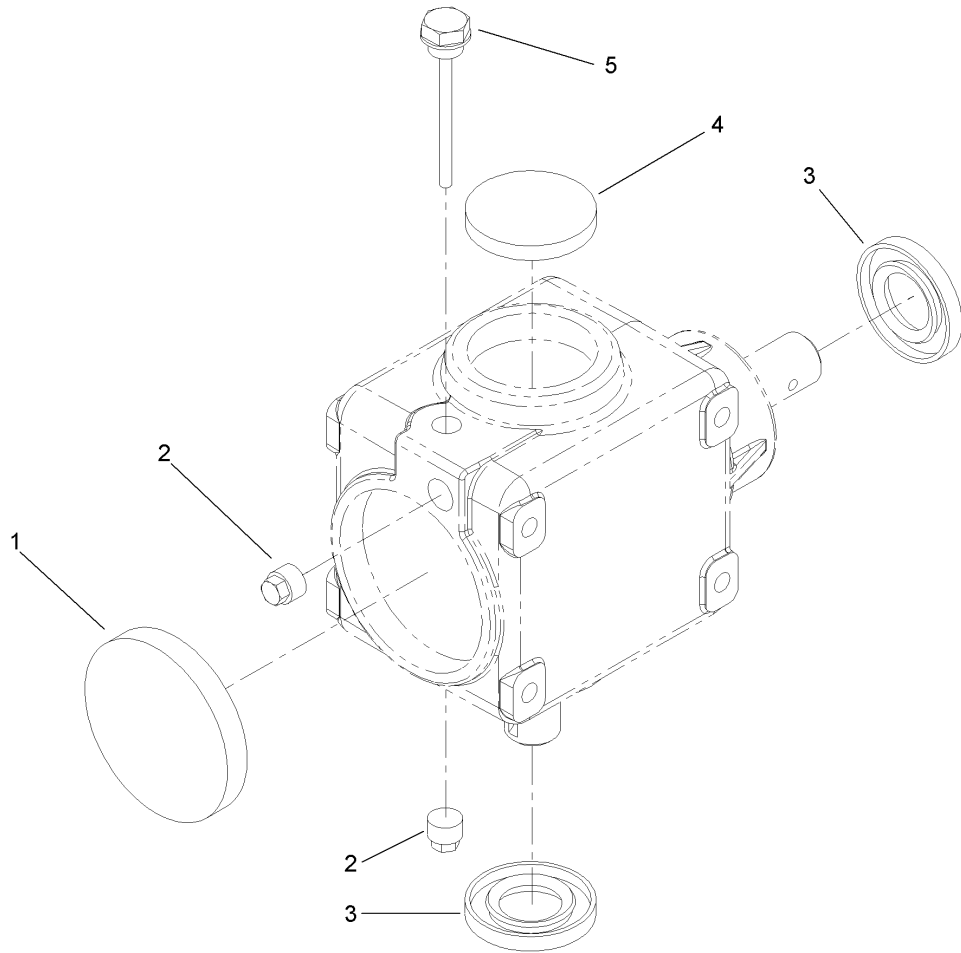
Ref	Part No.	Qty.	Description
1	104-8301	3	Nut-Flange, NI
2	108-2792	1	Rubber Deflector ASM
3	110-6385-03	1	Bracket-Gearbox, RH
4	63-9750	3	Mount
5	105-4622	1	Spacer
6	108-4052	1	Spring-Torsion
9	63-8410	3	Washer
10	3231-26	3	Screw-CARR
11	112-9557	1	Screw-HH
13	104-8300	1	Nut-Flange, NI
14	110-6384-03	1	Bracket-Gearbox, LH
17	112-9559	4	Grommet
19	93-6687	2	Decal-No Step
20	112-1455-03	1	Cover-Deck, LH
21	112-1456-03	1	Cover-Deck, RH
25	110-6386-03	1	Gearbox
26	323-4	4	Screw-HH
30	23-1640	1	Bushing-Taperlock
30:1	3247-4	2	Screw-Set
31	3257-5	1	Key-Woodruff
32	3253-21	4	Washer-Lock
36	106-2240	2	Knob
37	110-3510	2	Nut-Retainer
39	93-6697	1	Decal-Lube

Ref	Part No.	Qty.	Description
40	9335054	1	Pin-Hair



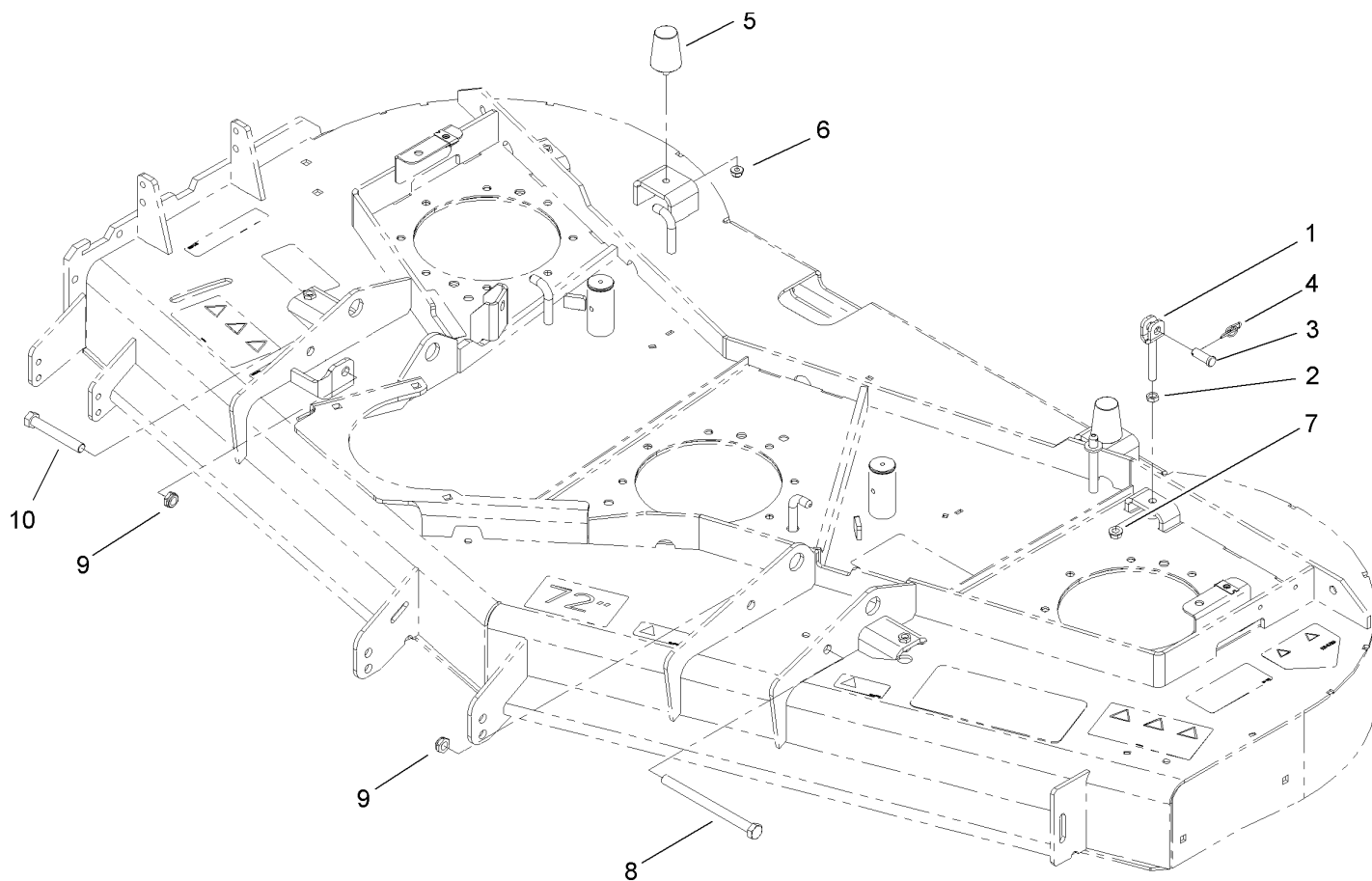
## Rubber Deflector Assembly No. 108-2792

Ref	Part No.	Qty.	Description				
1	3231-4	4	Screw-CARR				
2	106-3246-01	1	Deflector				
3	106-3248-03	1	Strap-Discharge				
4	108-5029	1	Deflector-Rubber				
5	108-4059-01	1	Plate-Hinge, Rear				
6	106-3253-01	1	Plate-Hinge, Front				
7	3296-39	4	Nut-Lock, NI				



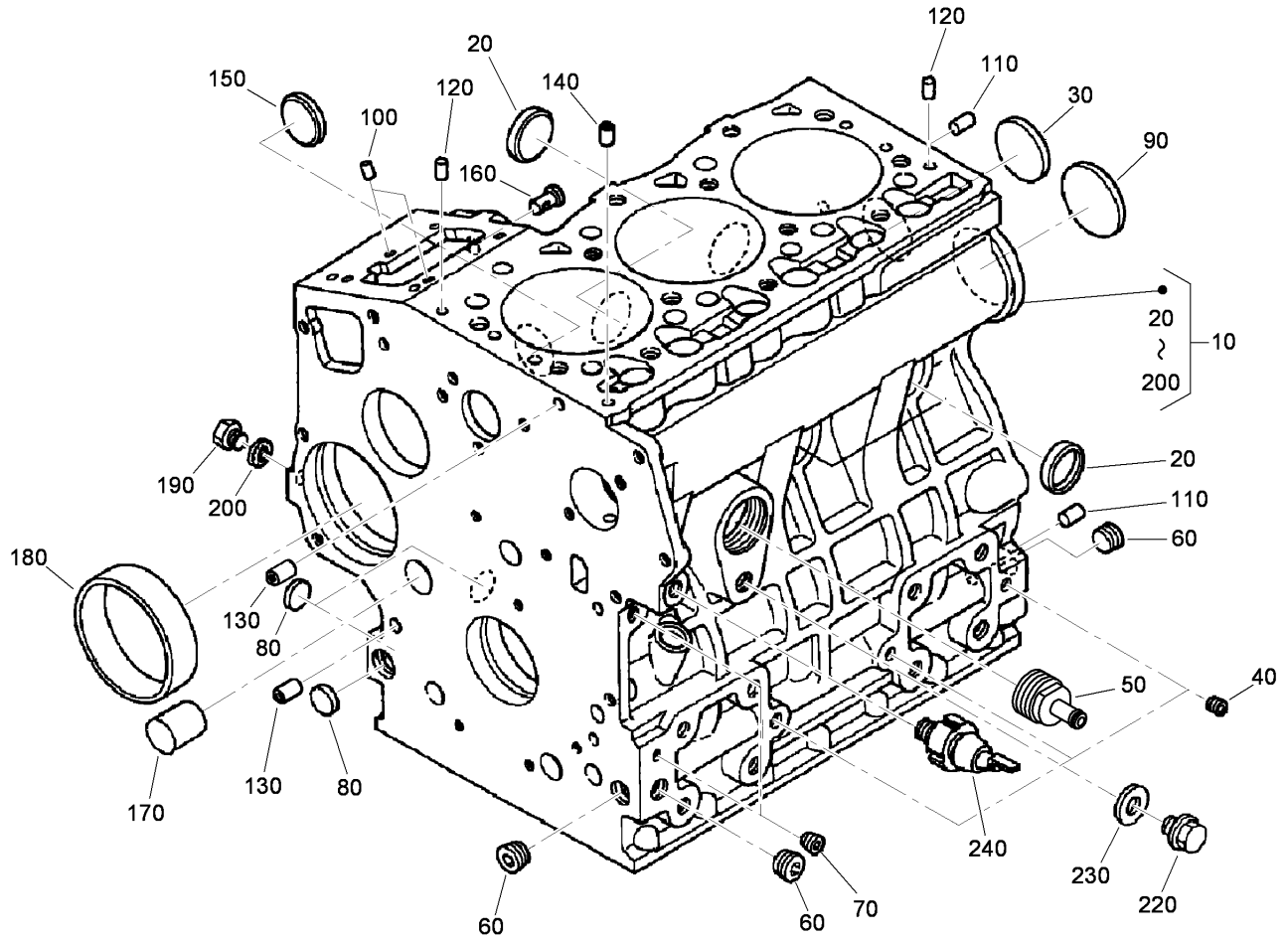
### Gearbox Assembly No. 110-6386-03

Ref	Part No.	Qty.	Description			
1	107-2932	1	Cap-Oil			
2	107-2933	2	Plug			
3	107-2934	2	Seal-Oil			
4	107-2935	1	Cap-Oil			
5	110-8283	1	Plug-Filler, Dipstick			



## Adjustment Link and Bumper Assembly

Ref	Part No.	Qty.	Description
1	112-1485	4	Clevis-Adjustment
2	3218-3	4	Nut-Jam
3	700601	4	Pin-Clevis
4	112-1491	4	Pin-Rue Ring
5	110-5070	2	Bumper-Neoprene
6	104-8300	2	Nut-Flange, NI
7	3290-357	4	Nut-HHF, Whiz
8	325-23	1	Screw-HH
9	3296-45	2	Nut-Lock, NI
10	325-14	1	Screw-HH

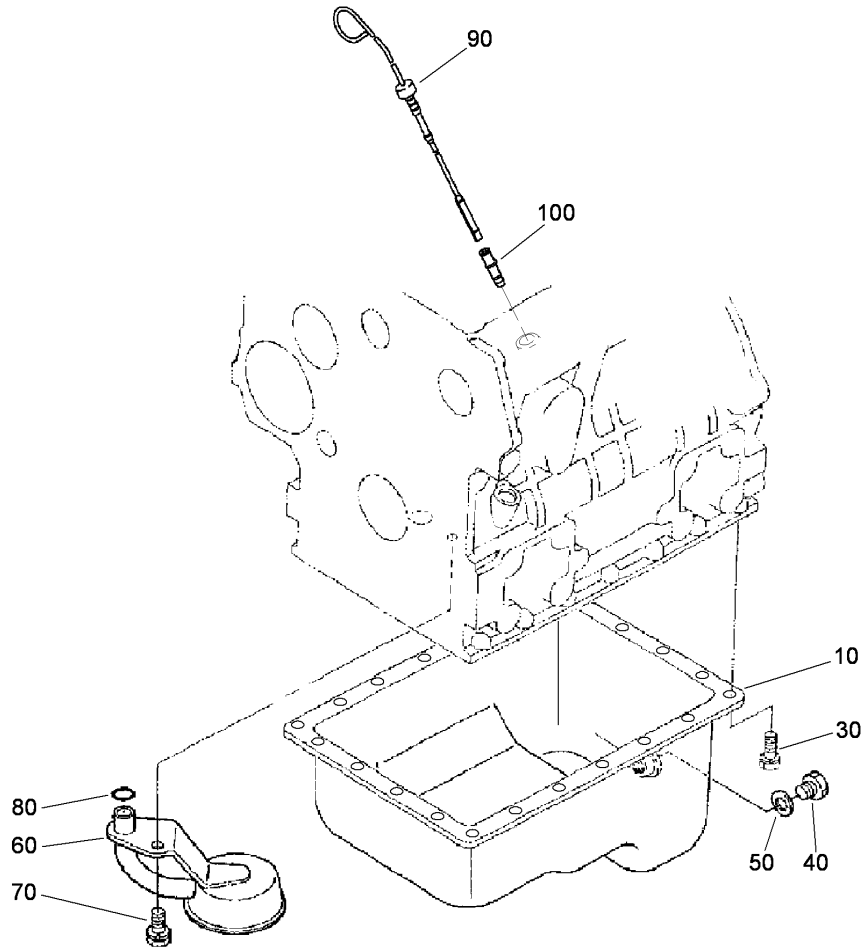



## Crankcase Assembly

Ref	Part No.	Qty.	Description
10	112-7043	1	Crankcase ASM
20	98-9398	4	Cap-Sealing
30	98-7539	1	Cap-Sealing
40	98-7540	3	Plug
50	99-8347	1	Joint-Pipe, Drain
60	98-9597	3	Plug
70	98-7487	2	Plug
80	98-9379	3	Plug-Expansion
90	98-9668	1	Plug-Expansion
100	98-9375	2	Pin-Straight
110	98-9377	2	Pin-Straight
120	98-9376	2	Pin-Straight
130	98-9387	2	Pin-Pipe
140	98-9539	1	Pin-Pipe
150	98-9599	1	Plug
160	98-9630	1	Pin-Spring, Start
170	98-9675	1	Plug
180	98-9656	1	Bushing-Governor, Gear
190	98-7507	1	Plug
200	98-7428	1	Gasket
220	99-3447	1	Plug
230	106-7056	1	Gasket
240	98-9416	1	Switch-Oil

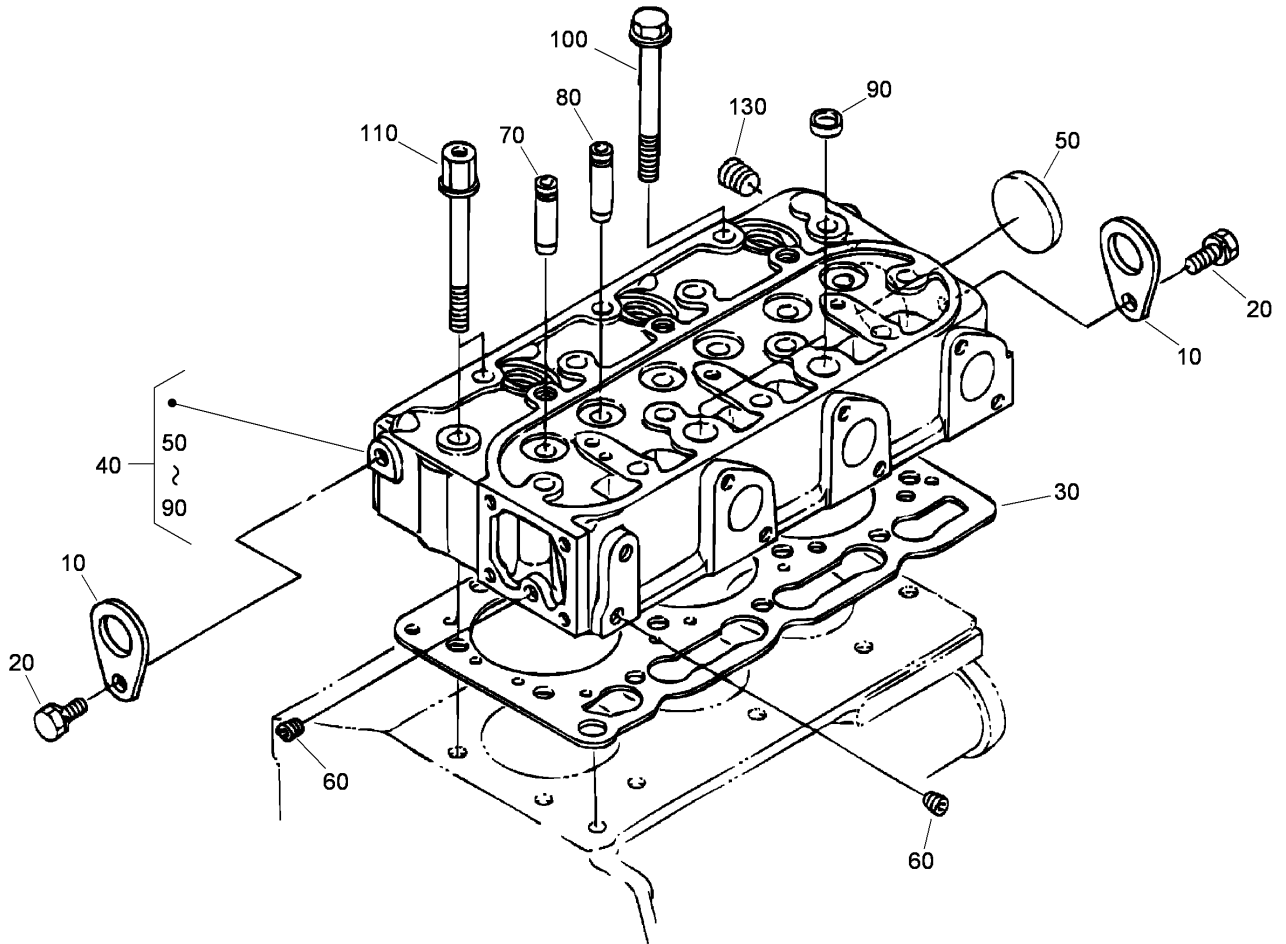
--	--	--	--





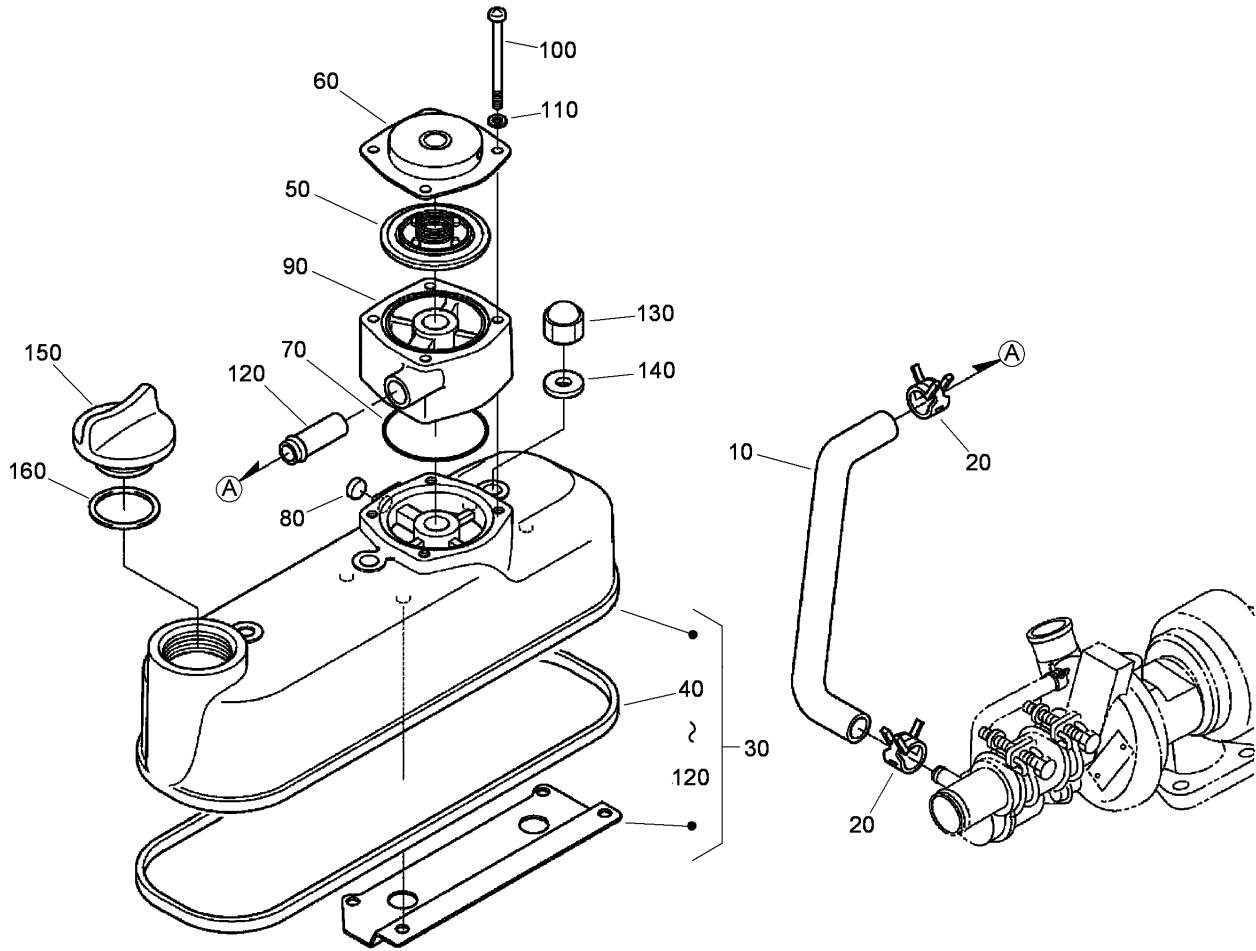
### Oil Pan Assembly

Ref	Part No.	Qty.	Description				
10	112-0179	1	Pan-Oil				
30	98-9351	22	Bolt				
40	114-8151	1	Plug-Drain				
50	98-7524	1	Gasket				
60	112-7044	1	Head-Filter				
70	98-7526	1	Bolt				
80	105-3776	1	O-Ring				
90	107-9076	1	Gauge-Oil				
100	105-4580	1	Guide				



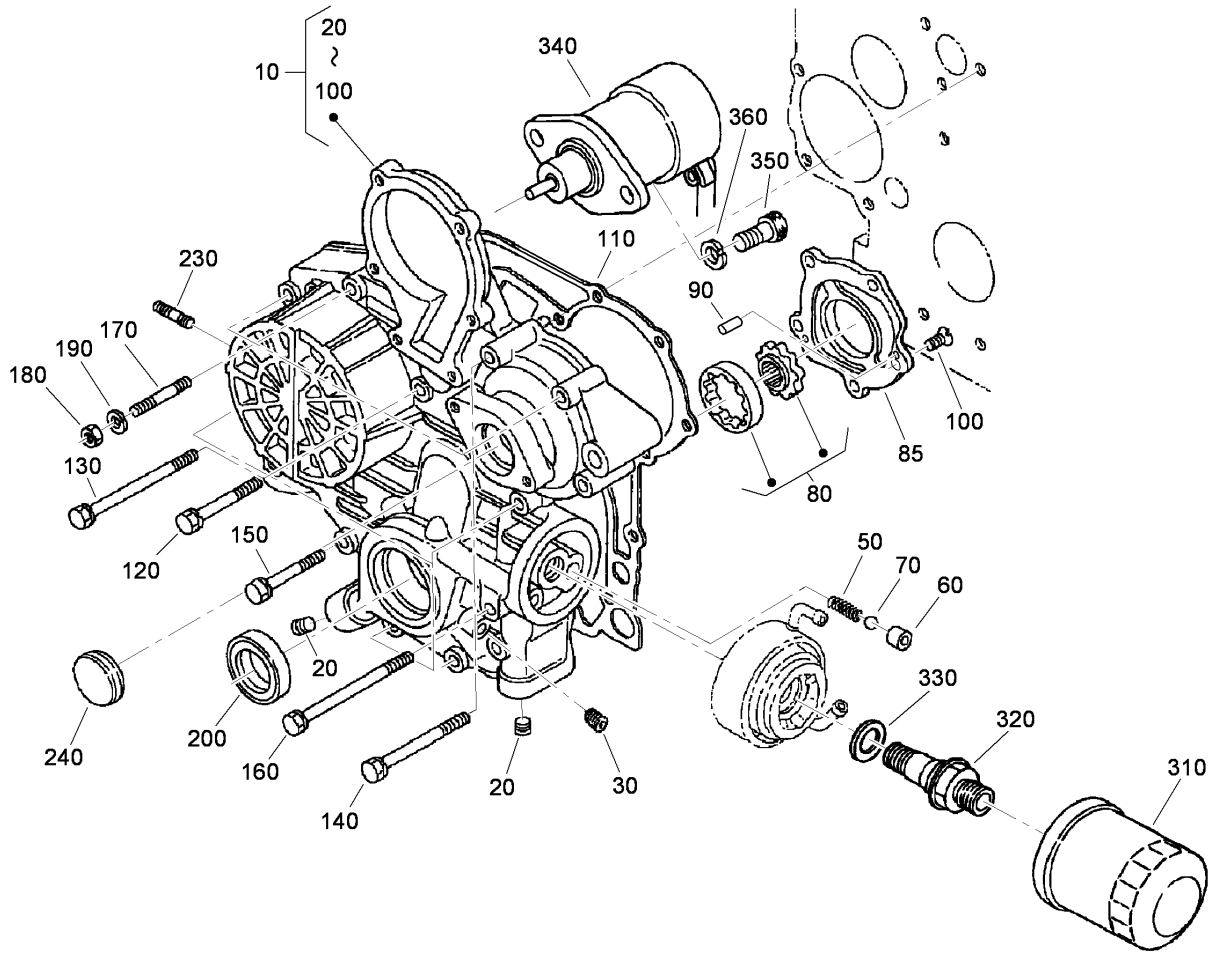
## Cylinder Head Assembly

Ref	Part No.	Qty.	Description
10	98-7531	2	Hook-Engine
20	100-9195	2	Bolt
30	108-6573	1	Gasket-Head, Cylinder
40	107-7823	1	Cylinder Head ASM
50	105-3705	1	Cap-Sealing
60	98-7540	2	Plug
70	107-9066	3	Guide-Valve, Inlet
80	107-9067	3	Guide-Valve, Exhaust
90	98-9389	2	Cap-Sealing
100	98-9479	12	Bolt-Head, Cylinder
110	98-9647	2	Bolt-Head, Cylinder
130	98-9444	1	Plug



## Head Cover Assembly

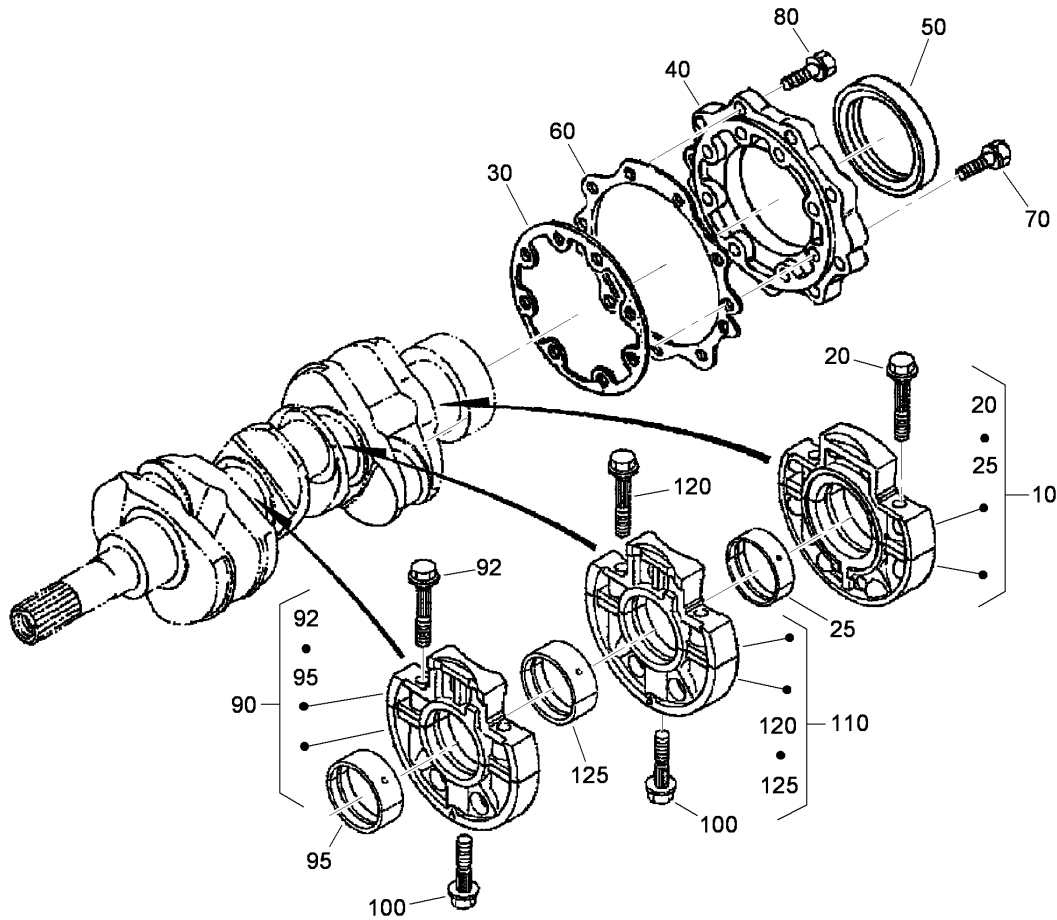
Ref	Part No.	Qty.	Description
10	115-3040	1	Tube-Breather
20	108-2859	2	Clamp-Hose
30	115-3041	1	Cyl Head Cover ASM
40	98-9615	1	Gasket-Cover, Head
50	108-2861	1	*obs* Breather Valve ASM
60	110-3714	1	Cover-Breather
70	110-3846	1	O Ring-Breather
80	115-3042	1	Cap-Sealing
90	115-3043	1	Spacer-Breather
100	115-3044	4	Screw-Pan Head
110	100-2204	4	Washer-Spring
120	98-7766	1	Pipe-Return, Water
130	98-9455	3	Nut-Cap
140	98-9454	3	Gasket
150	107-9075	1	Plug-Filler, Oil
160	99-3446	1	O-Ring

## Gear Case Assembly

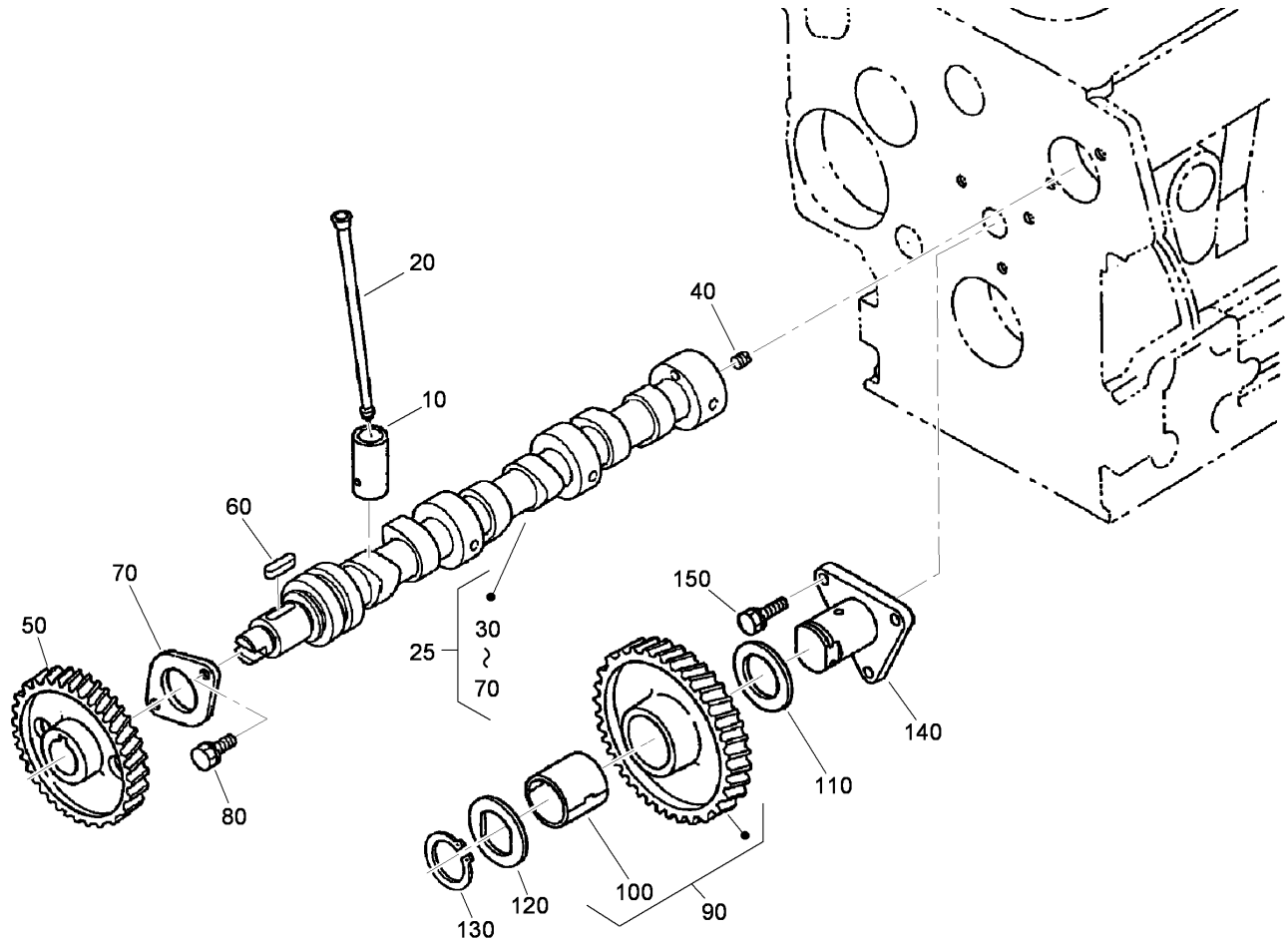
Ref	Part No.	Qty.	Description
10	115-4111	1	Gear Case-Complete
20	98-9598	2	Plug
30	98-7487	1	Plug
50	98-9544	1	Spring
60	98-9543	1	Seat-Valve
70	98-9380	1	Ball
80	98-9540	1	Oil Pump Rotor ASM
85	107-9069	1	Cover-Pump, Oil
90	107-9072	2	Pin-Straight
100	107-9071	5	Screw
110	98-9633	1	Gasket-Case, Gear
120	98-7496	3	Bolt
130	105-3797	4	Bolt
140	98-9356	4	Bolt
150	107-9074	1	Bolt
160	98-9586	2	Bolt
170	105-3709	1	Stud
180	98-7572	1	Nut
190	98-7699	1	Washer-Spring
200	98-9482	1	Seal-Oil
230	105-3710	2	Stud
240	98-9641	1	Cover-Case, Gear
310	108-3841	1	Filter-Oil
320	104-5159	1	Holder ASM

Ref	Part No.	Qty.	Description
330	98-9727	1	Collar
340	104-5155	1	Solenoid-Stop
350	115-3039	2	Bolt-HSH
360	98-7699	2	Washer-Spring



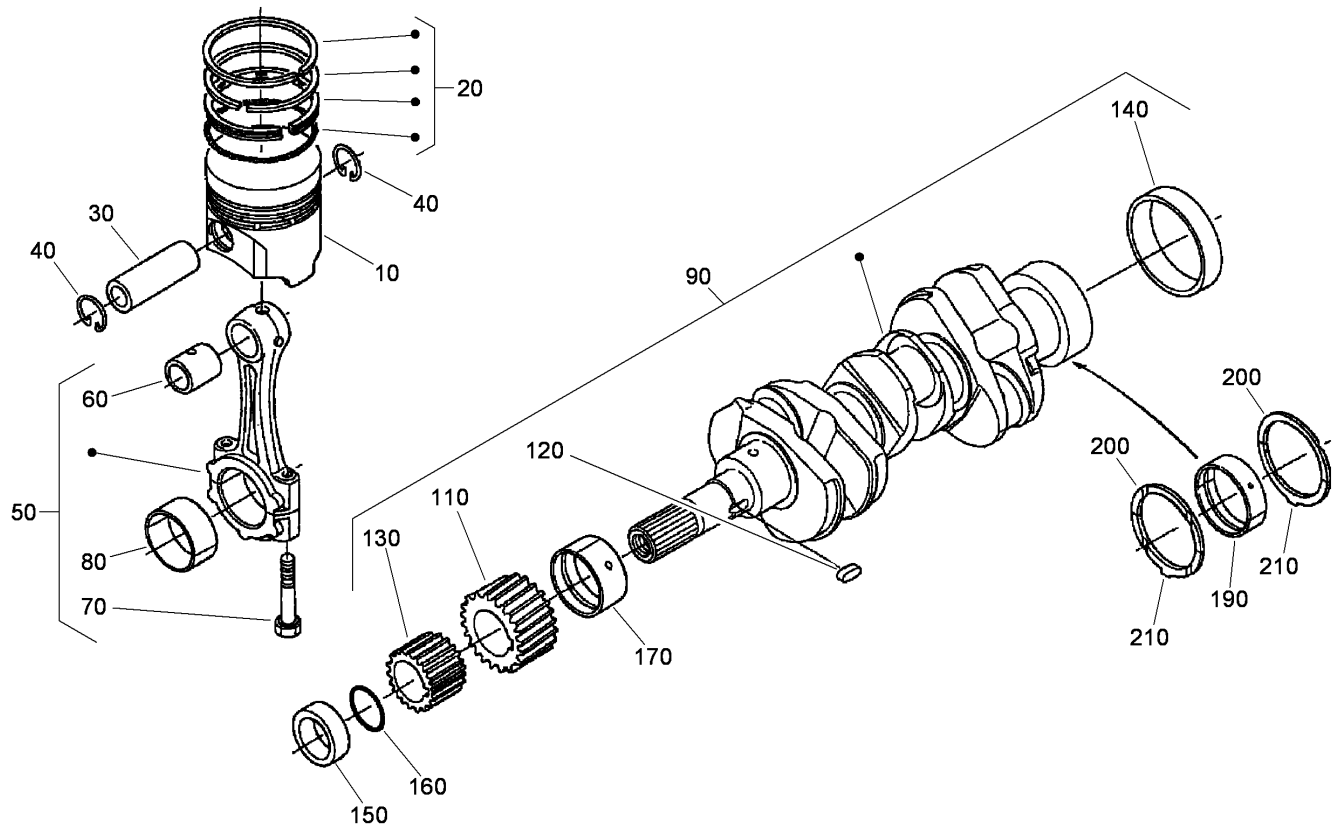
### Main Bearing Case Assembly

Ref	Part No.	Qty.	Description
10	112-7026	1	Wheel Bearing Case ASM
20	98-9484	2	Bolt-Case, Bearing
25	112-7045	1	Metal-Crankshaft
25	112-7039	1	Metal-Crankshaft
25	112-7040	1	Metal-Crankshaft
30	98-9634	1	Gasket-Case, Bearing
40	112-7046	1	Cover-Case, Bearing
50	112-0180	1	Seal-Oil
60	112-7037	1	Gasket-Cover, Case
70	98-9352	8	Bolt
80	98-7568	9	Bolt
90	112-7028	1	Bearing ASM
92	98-9484	2	Bolt-Case, Bearing
95	112-7011	1	Bearing-Main (STD)
95	112-7012	1	Metal-Crankpin, -0.2Mm
95	112-7013	1	Metal-Crankpin, -0.4Mm
100	98-9485	2	Bolt-Case, Bearing
110	112-7027	1	Bearing ASM
120	98-9484	2	Bolt-Case, Bearing
125	112-7011	1	Bearing-Main (STD)
125	112-7012	1	Metal-Crankpin, -0.2Mm
125	112-7013	1	Metal-Crankpin, -0.4Mm

### Camshaft and Idle Gear Shaft Assembly

Ref	Part No.	Qty.	Description
10	112-0185	6	Tappet
20	98-9509	6	Rod-Push
25	112-7029	1	Camshaft ASM
30	108-1403	1	Camshaft
40	98-7449	1	Screw-Set
50	98-9512	1	Gear-Cam
60	98-9378	1	Key-Feather
70	98-9510	1	Stopper-Camshaft
80	98-7692	2	Bolt
90	98-9649	1	Idle Gear ASM
100	98-9650	1	Bushing-Gear, Idle
110	98-9535	1	Collar-Gear, Idle
120	98-9536	1	Collar-Gear, Idle
130	98-9534	1	Circlip-Gear, Idle
140	98-9533	1	Shaft-Gear, Idle
150	98-7692	3	Bolt

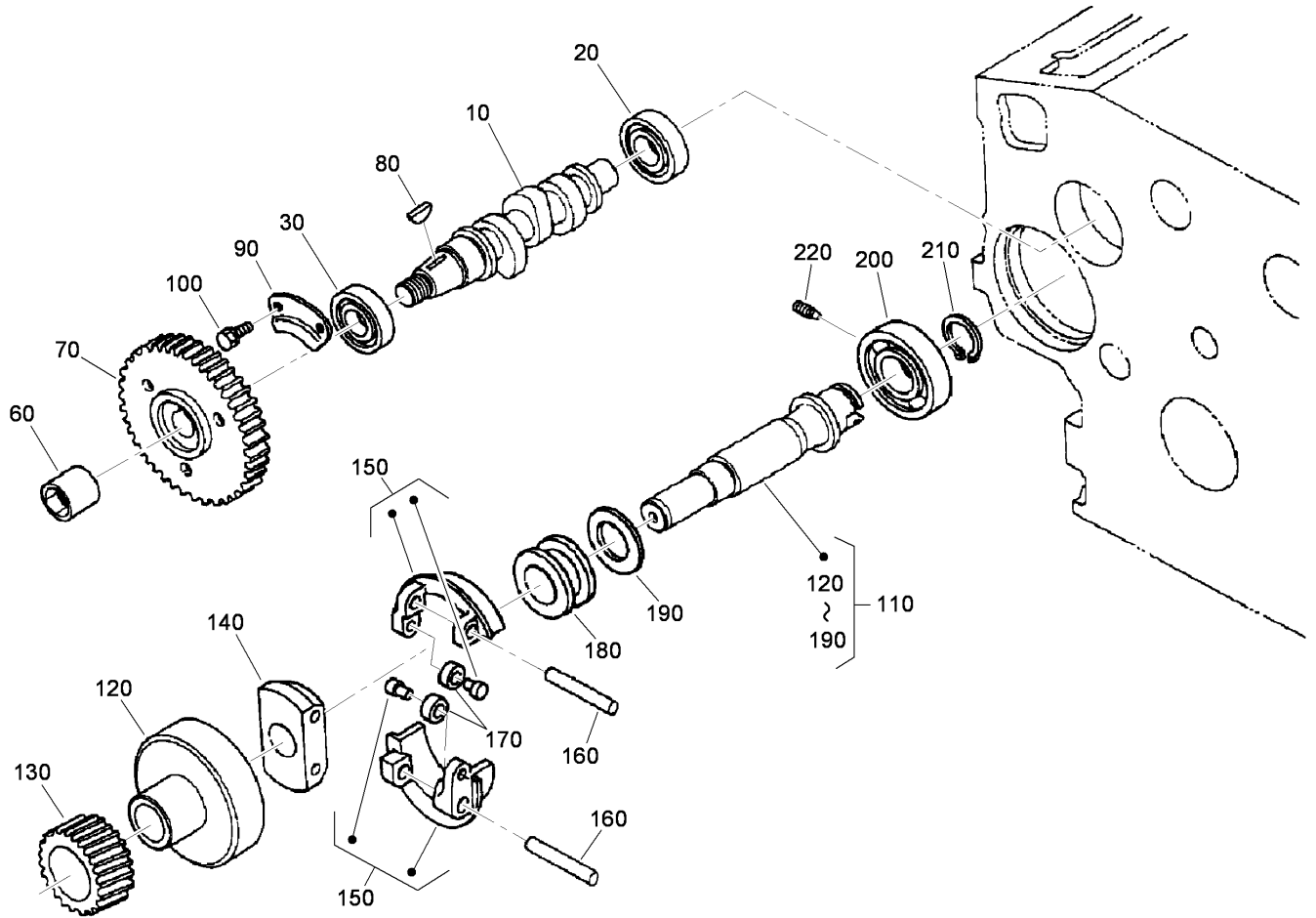
## Piston and Crankshaft Assembly

Ref	Part No.	Qty.	Description
10	98-9550	3	Piston (STD)
10	108-1417	3	Piston, 0.5Mm
20	98-9551	3	Piston Ring ASM (STD)
20	108-1404	3	Piston Ring ASM (0.5Mm)
30	98-9513	3	Pin-Piston
40	98-9514	6	Circlip-Pin, Piston
50	98-9552	3	Connecting Rod ASM
60	115-3014	3	Bushing-Pin, Piston
70	98-9517	6	Bolt-Rod, Connecting
80	98-9553	3	Bearing-Rod (STD)
80	108-1405	3	Metal-Crankpin, -0.2Mm
80	108-1406	3	Metal-Crankpin, -0.4Mm
90	98-9642	1	Crankshaft ASM
●100	110-3729	3	Ball
110	98-9532	1	Gear-Crankshaft
120	98-9666	1	Key
130	98-9542	1	Gear-Drive, Oil Pump
140	98-9522	1	Sleeve-Crankshaft
150	98-9521	1	Collar-Crankshaft
160	105-3783	1	O-Ring
170	112-7005	1	Bearing-Main (STD)
170	112-7009	1	Metal-Crankpin, -0.2Mm
170	112-7010	1	Metal-Crankpin, -0.4Mm
●180	112-7011	2	Bearing-Main (STD)

Ref	Part No.	Qty.	Description
●180	112-7012	2	Metal-Crankpin, -0.2Mm
●180	112-7013	2	Metal-Crankpin, -0.4Mm
190	112-7045	1	Metal-Crankshaft
190	112-7039	1	Metal-Crankshaft
190	112-7040	1	Metal-Crankshaft
200	98-9413	2	Bearing-Thrust (STD)
200	98-9414	2	Bearing-Thrust (0.2Mm)
200	98-9415	2	Bearing-Thrust (0.4Mm)
210	98-9688	2	Bearing-Thrust (STD)
210	98-9689	2	Bearing-Thrust (0.2Mm)
210	98-9690	2	Bearing-Thrust (0.4Mm)



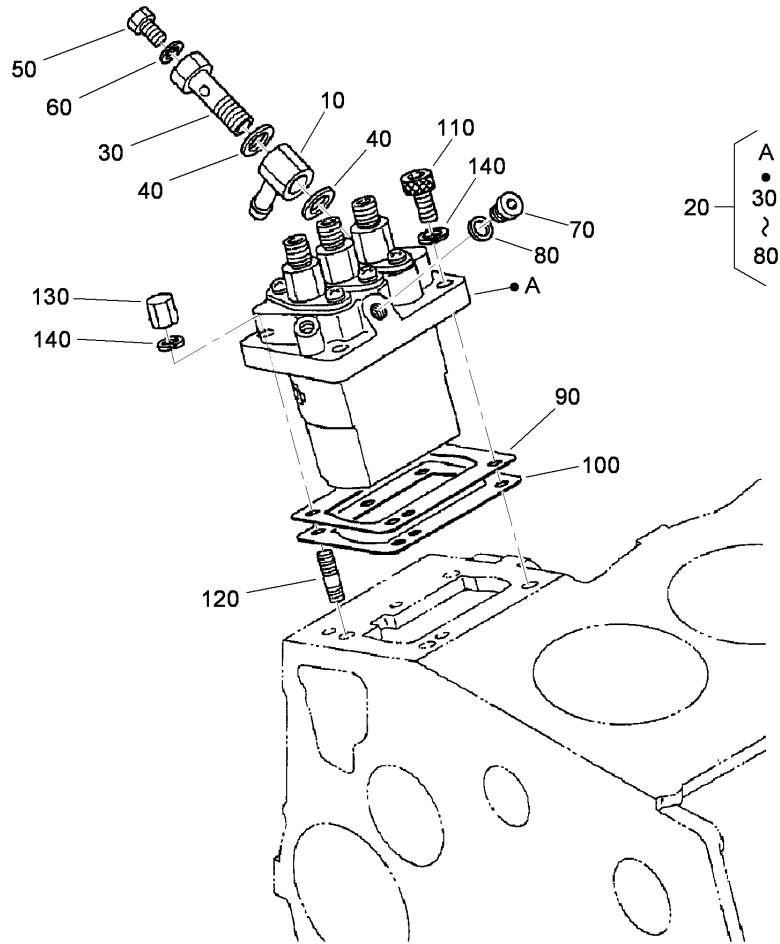




## Fuel Camshaft and Governor Shaft Assembly

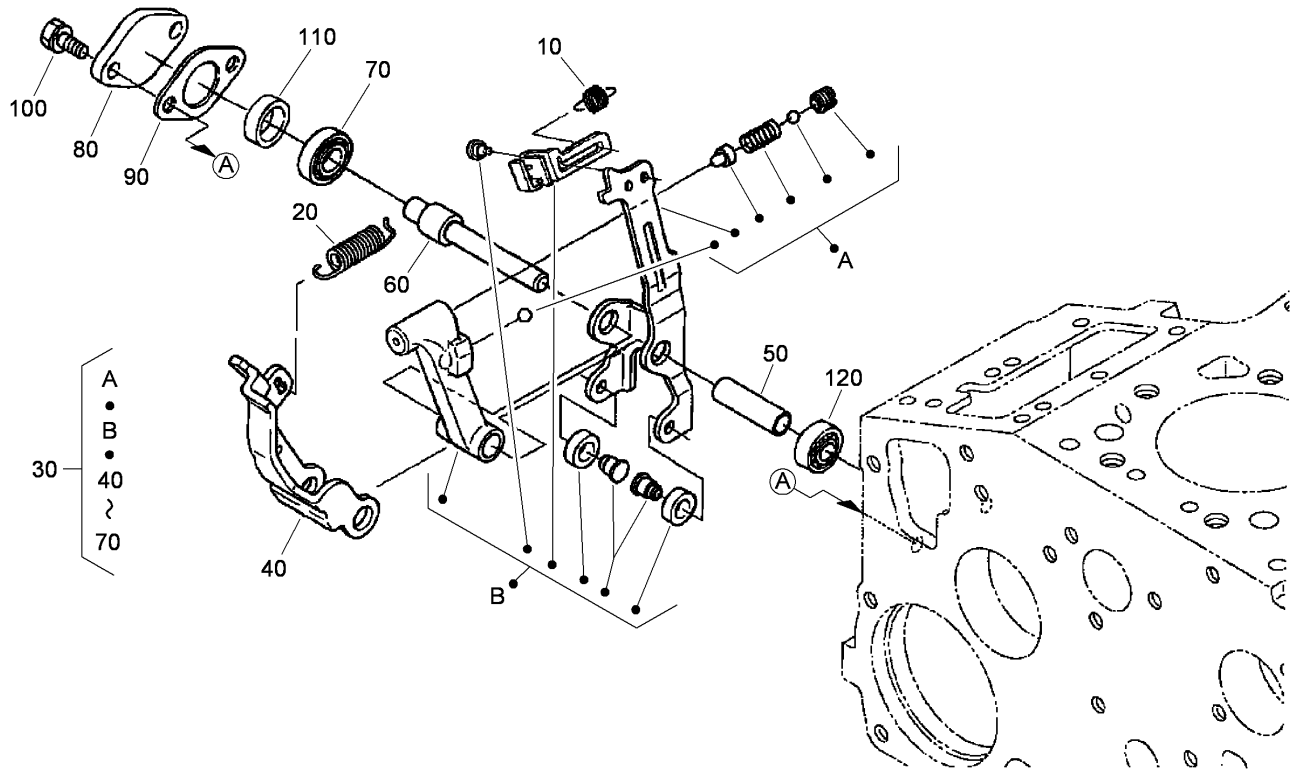
Ref	Part No.	Qty.	Description
10	98-9459	1	Camshaft-Fuel
20	107-9077	1	Bearing-Ball
30	107-9078	1	Bearing-Ball
60	98-9590	1	Nut-Cap
70	98-9669	1	Gear-Pump, Injection
80	98-9595	1	Key-Woodruff
90	98-9511	1	Stopper-Fuel, Camshaft
100	98-7692	2	Bolt
110	98-9644	1	Governor Shaft ASM
120	98-9562	1	Holder-Gear, Governor
130	98-9673	1	Gear-Governor
140	98-9561	1	Holder-Weight, Governor
150	98-9559	2	Governor Weight ASM
160	98-9560	2	Shaft-Weight, Governor
170	98-9692	2	Roller
180	98-9563	1	Sleeve-Governor
190	98-9564	1	Washer-Thrust
200	107-9079	1	Bearing-Ball
210	98-9657	1	Circlip-Shaft, Governor
220	98-9565	1	Screw-Set



## Injection Pump Assembly

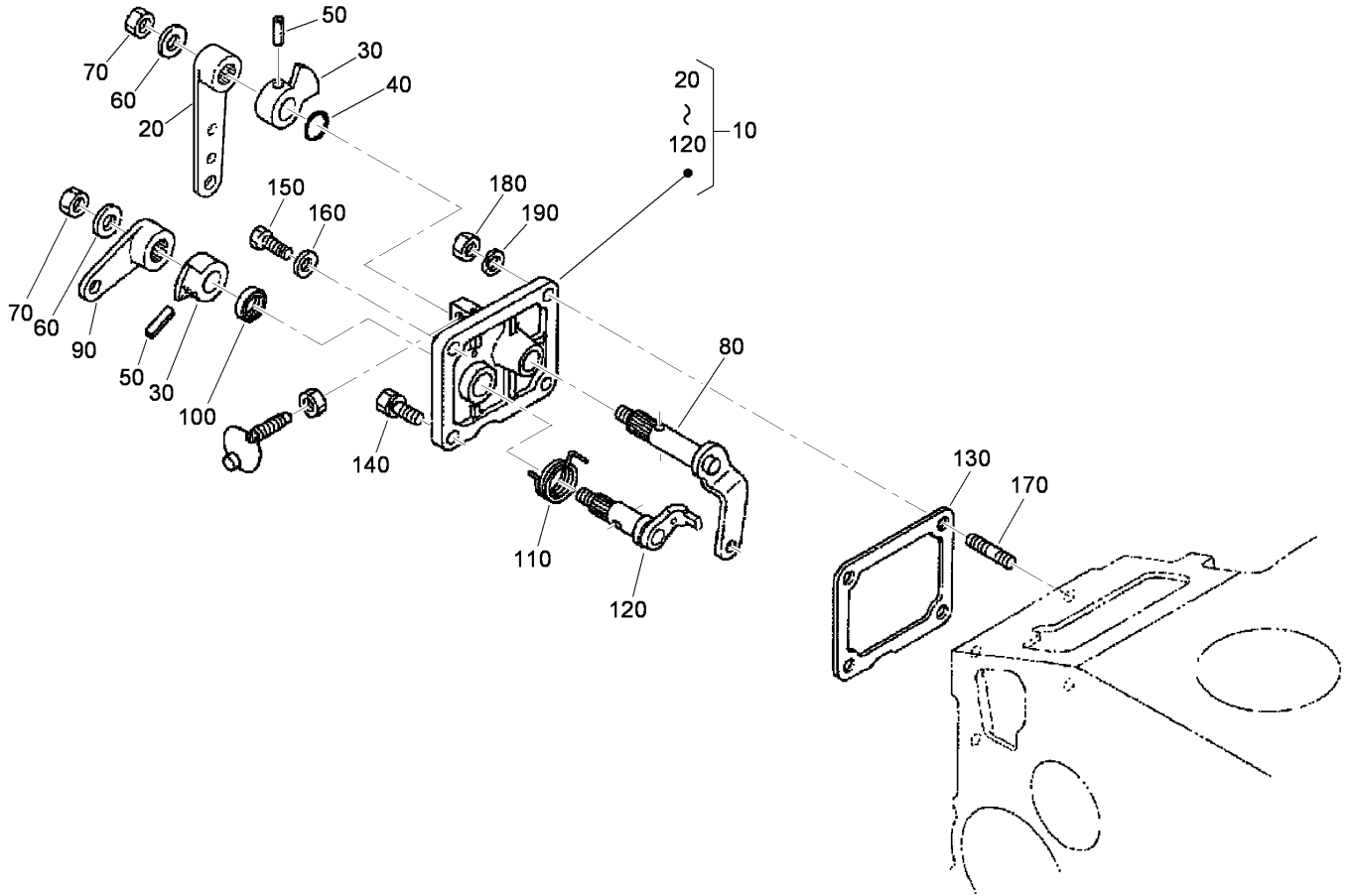
Ref	Part No.	Qty.	Description				
10	98-9596	1	Joint-Eye				
20	98-9643	1	Injection Pump ASM				
30	98-9464	1	Bolt-Joint				
40	98-9445	2	Gasket				
50	98-9430	1	Screw				
60	98-9446	1	Gasket				
70	98-9466	1	Plug				
80	98-9451	1	Gasket				
90	98-9456	1	Shim-Injection (0.20Mm)				
90	98-9457	1	Shim-Injection (0.25Mm)				
90	115-3045	1	Shim-Injection (0.175Mm)				
100	98-9458	1	Shim-Injection (0.30Mm)				
100	115-3046	1	Shim-Injection (0.35Mm)				
110	98-9361	2	Bolt-HSH				
120	98-9438	2	Stud				
130	98-9440	2	Nut-Cap				
140	98-7699	4	Washer-Spring				



## Governor Assembly

Ref	Part No.	Qty.	Description
10	105-3786	1	Spring-Start
20	98-9681	1	Spring-Governor
30	107-9082	1	Fork Lever ASM
40	107-9084	1	Lever-Fork
50	107-9085	1	Shaft-Lever, Fork
60	107-9086	1	Shaft-Lever, Fork
70	98-9570	1	Bearing-Miniaturize
80	98-9569	1	Cover-Shaft, Fork Lever
90	98-9682	1	Gasket
100	98-9350	2	Bolt
110	98-9567	1	Collar
120	98-9571	1	Bearing-Miniaturize

--	--	--	--



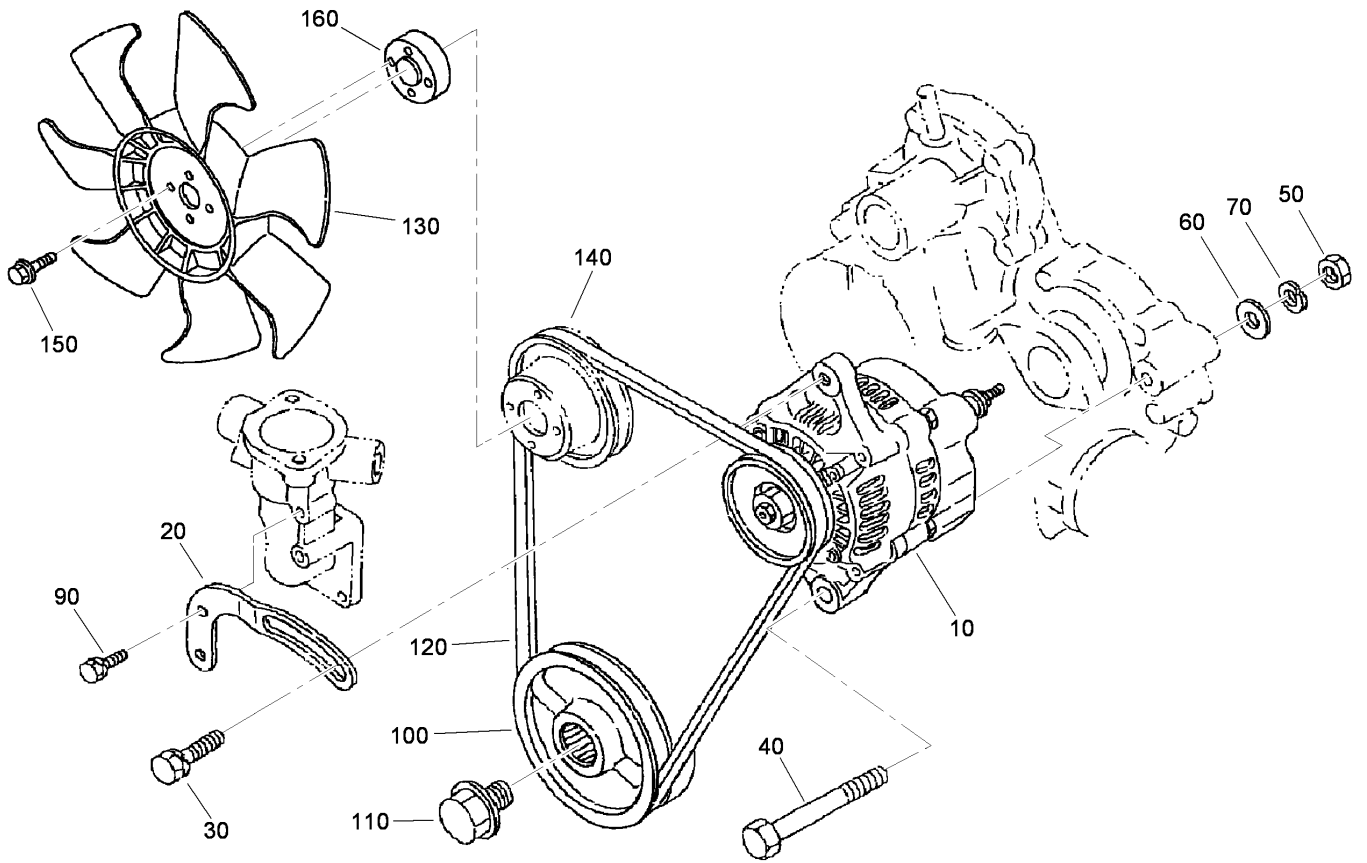
### Speed Control Plate Assembly

Ref	Part No.	Qty.	Description
10	105-3735	1	Control Plate ASM
20	98-9662	1	Lever-Control, Speed
30	98-9572	2	Lever-Control, Speed
40	105-3788	1	O-Ring
50	98-7602	2	Pin-Spring
60	98-9594	2	Washer-Plain
70	98-9589	2	Nut
80	98-9658	1	Governor Lever ASM
90	98-9663	1	Lever-Stop, Engine
100	98-7601	1	Seal-Oil
110	98-9472	1	Spring-Return
120	98-9664	1	Shaft-Lever, Stop
130	98-9637	1	Gasket
140	98-7692	1	Bolt
150	99-8348	1	Bolt
160	98-7654	1	Gasket
170	105-3710	2	Stud
180	98-7572	2	Nut
190	98-7699	2	Washer-Spring

--	--	--	--



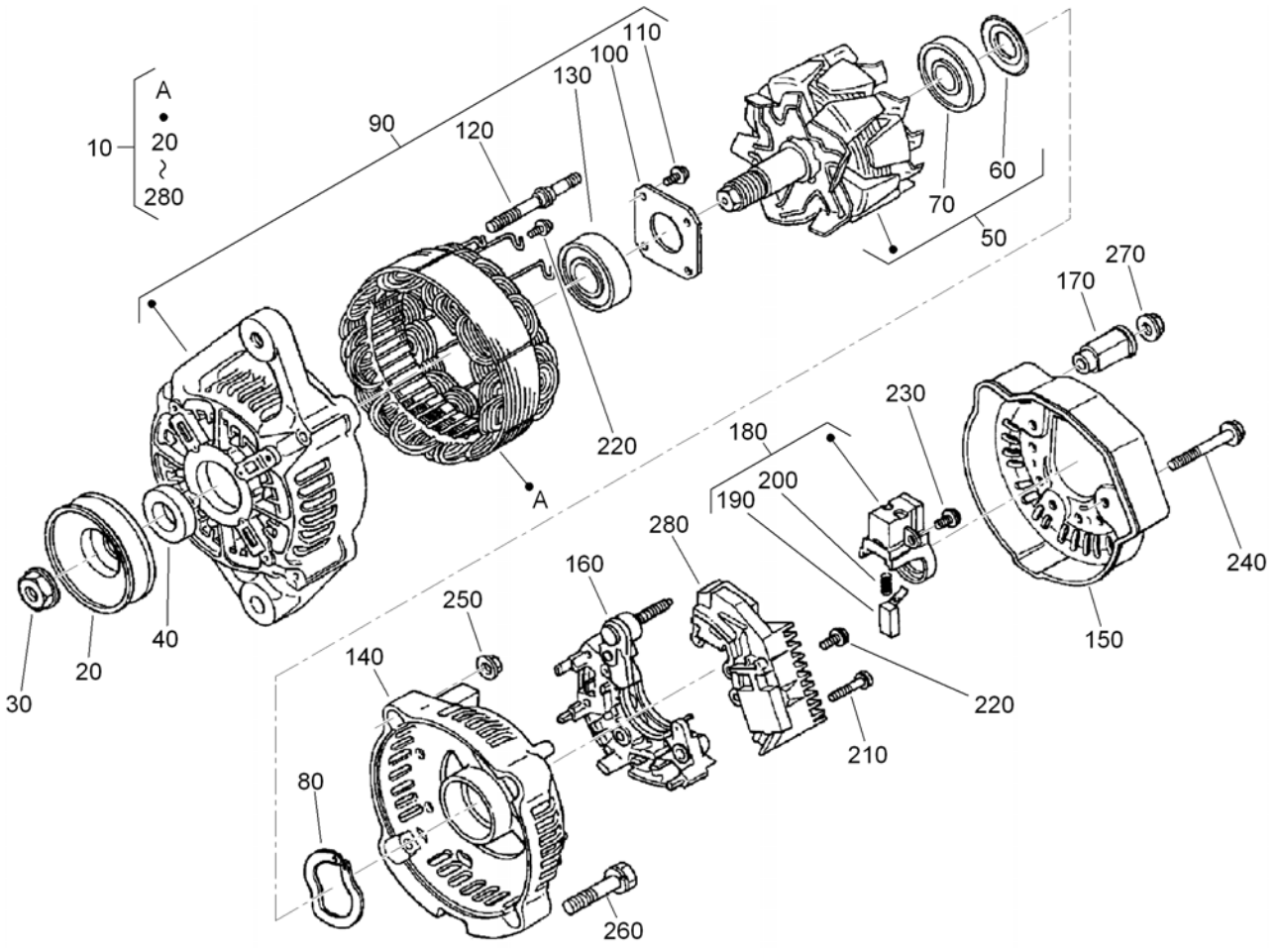




## Alternator and Pulley Assembly

Ref	Part No.	Qty.	Description
10	98-9474	1	Alternator ASM
20	112-7047	1	Stay-Dynamo
30	108-7088	1	Bolt
40	98-9360	1	Bolt
50	98-7737	1	Nut
60	98-9366	1	Washer-Plain
70	98-7738	1	Washer-Spring
90	98-7692	1	Bolt
100	98-9473	1	Pulley-Drive, Fan
110	98-9585	1	Bolt
120	98-9676	1	V-Belt
130	104-4246	1	Fan-Engine
140	98-9584	1	Pulley-Fan
150	33103-020	4	Screw-HHF
160	108-2872	1	Collar-Fan

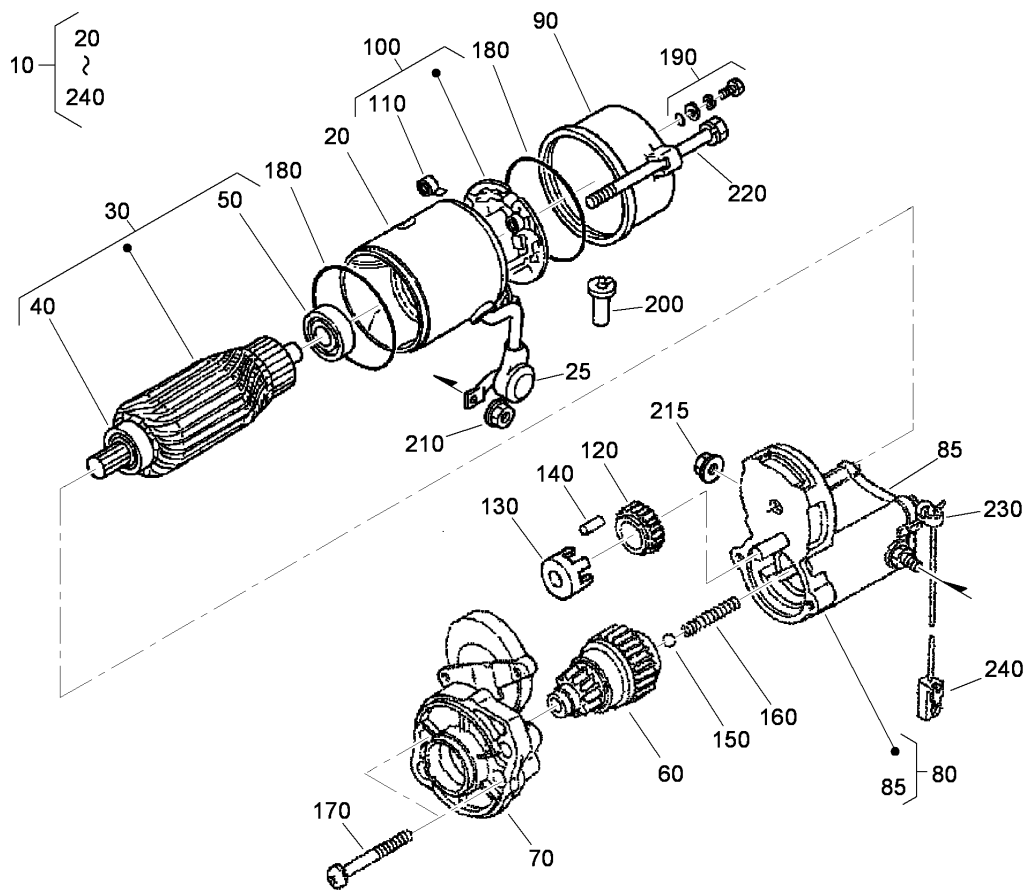




## Alternator Components Assembly

Ref	Part No.	Qty.	Description
10	98-9474	1	Alternator ASM
20	98-9453	1	Pulley-Dynamo
30	98-7708	1	Nut
40	98-7709	1	Collar
50	107-0136	1	Rotor
60	98-7711	1	Cover-Bearing
70	107-0138	1	Bearing-Ball
80	98-7713	1	Washer-Thrust
90	107-0139	1	Drive End Frame ASM
100	98-7715	1	Plate-Retainer
110	98-7716	4	Screw-Head, Round
120	98-7717	2	Bolt-Through
130	107-0137	1	Bearing-Ball
140	107-9087	1	Frame-End
150	107-0140	1	Cover-End
160	98-7721	1	Rectifier ASM
170	98-7722	1	Bushing-Insulation
180	107-0141	1	Holder-Brush
190	98-7724	2	Brush
200	98-7725	2	Spring-Brush
210	98-7726	2	Screw-Head, Round
220	98-7727	6	Screw-Head, Round
230	98-7728	1	Screw-Head, Round
240	98-7729	3	Bolt

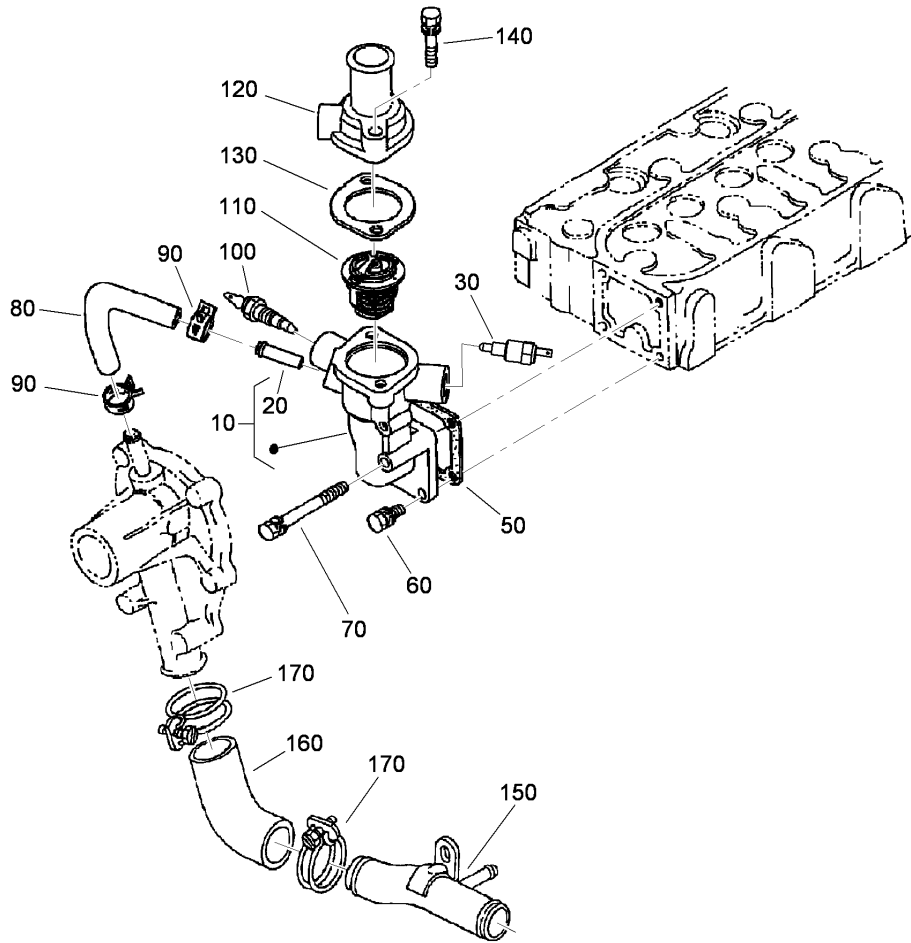
Ref	Part No.	Qty.	Description
250	98-7730	2	Nut
260	98-7731	2	Bolt
270	98-7732	1	Nut
280	110-3799	1	Regulator ASM



### Starter (Component Part) Assembly No. 98-9705

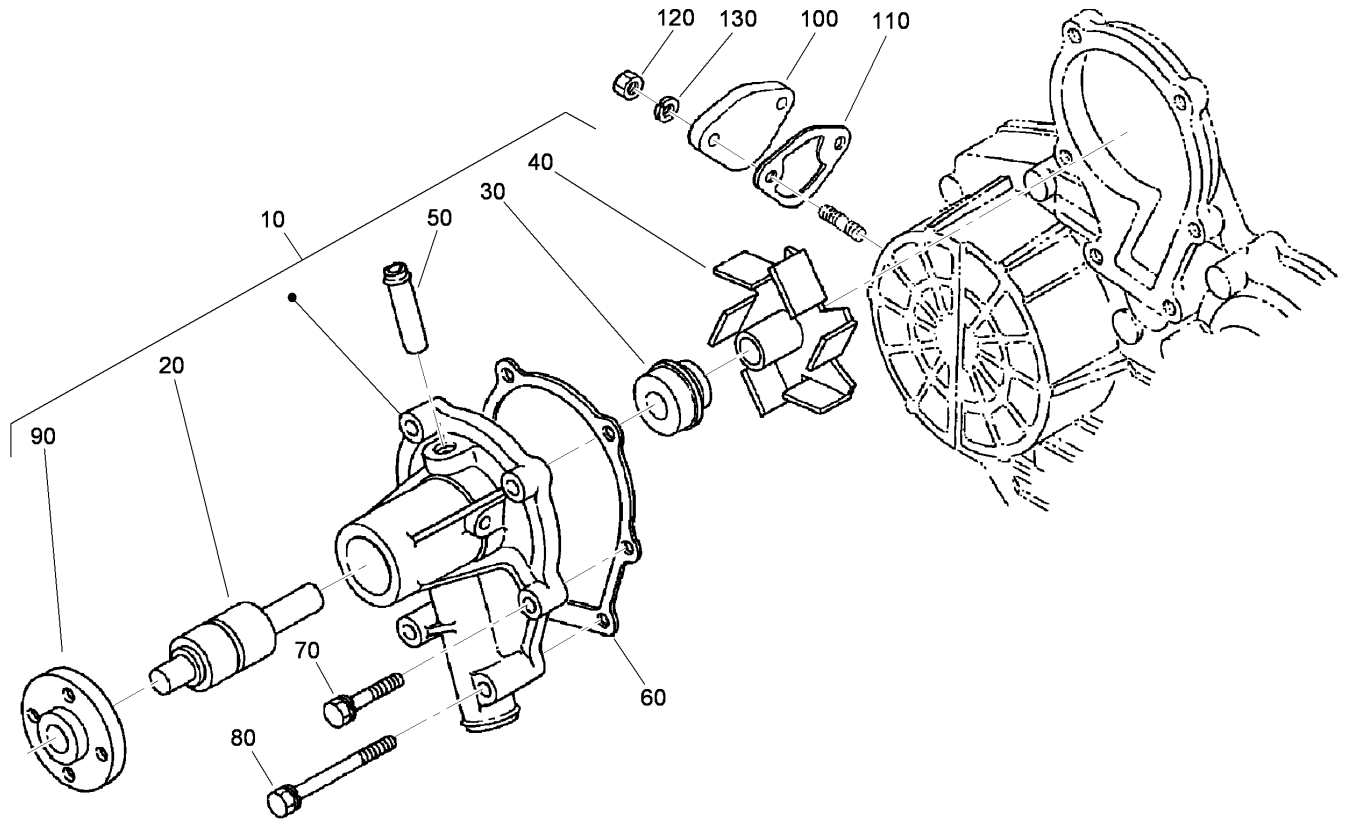
Ref	Part No.	Qty.	Description
10	98-9705	1	Starter ASM
20	104-8608	1	Yoke ASM
25	99-8375	1	Cover
30	98-7742	1	Armature ASM
40	98-7744	1	Bearing
50	98-7743	1	Bearing
60	99-8373	1	Clutch-Running, Over
70	99-8374	1	Frame-End, Drive
80	105-3746	1	Magnetic Switch ASM
85	105-2886	1	Cover ASM
90	98-7748	1	Frame-End
100	98-7749	1	Brush Holder ASM
110	98-7750	4	Spring-Brush
120	98-7751	1	Gear
130	98-7752	1	Retainer
140	98-7753	5	Roller
150	98-7755	1	Ball
160	98-7754	1	Spring
170	98-7756	2	Bolt
180	98-7757	2	O-Ring
190	98-7758	2	Bolt ASM
200	98-7759	1	Pipe-Drain
210	99-8371	1	Nut-Hex
215	99-8376	1	Nut-Hex

Ref	Part No.	Qty.	Description
220	100-9240	2	Bolt
230	98-9712	1	Band-Cover
240	98-9711	1	Cord-Solenoid, Stop



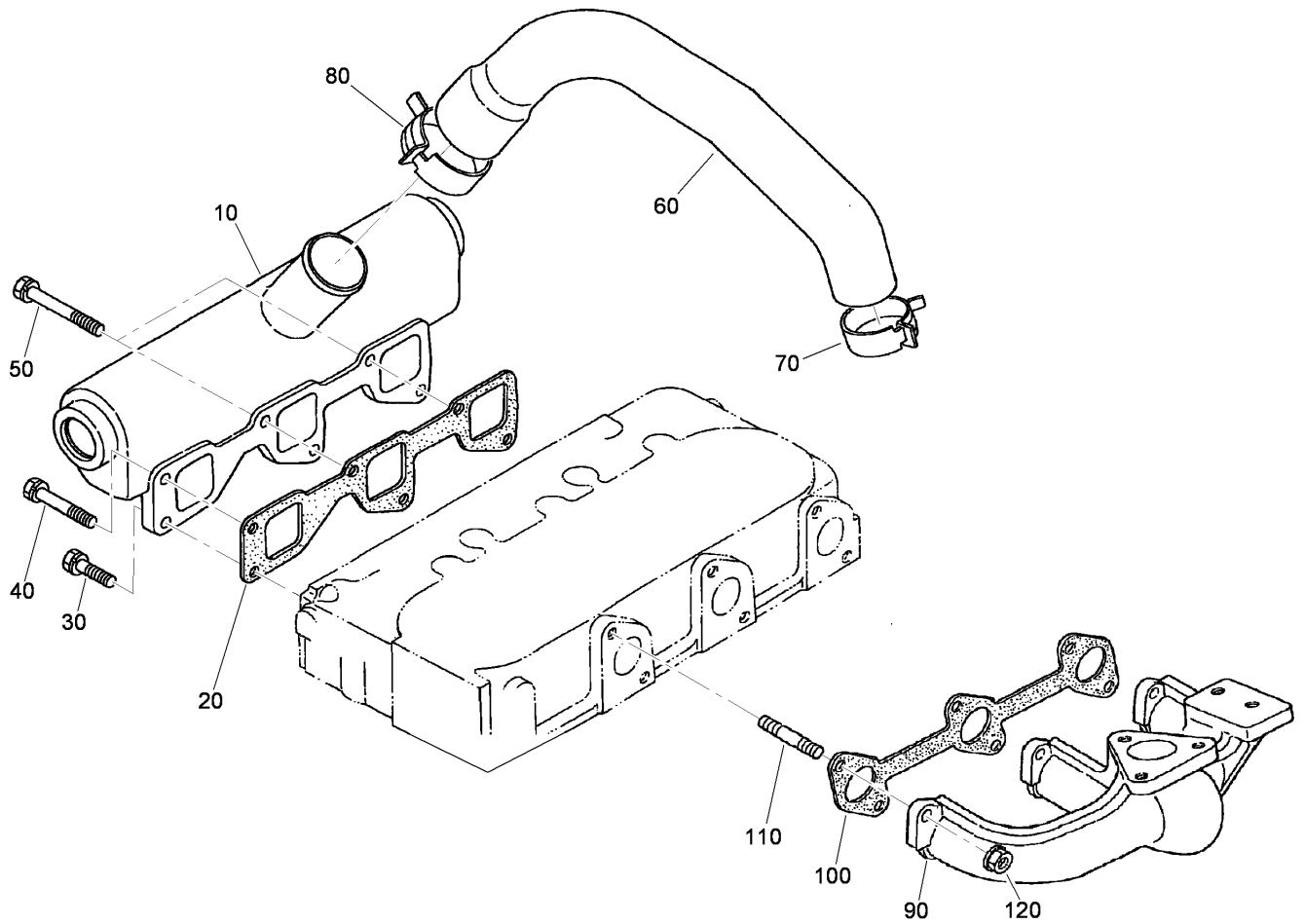
## Water Flange and Thermostat Assembly

Ref	Part No.	Qty.	Description
10	98-9713	1	Water Flange ASM
20	98-9580	1	Pipe-Return, Water
30	98-9719	1	Thermoswitch
50	98-9638	1	Gasket-Flange, Water
60	98-7692	3	Bolt
70	98-9356	1	Bolt
80	98-9578	1	Pipe-Return, Water
90	98-9579	2	Band-Pipe
100	112-0183	1	Switch-Thermometer
110	98-7778	1	Thermostat ASM
120	98-9471	1	Cover-Thermostat
130	105-3748	1	Gasket-Thermostat
140	98-7777	2	Bolt
150	99-8379	1	Pipe-Water
160	107-9091	1	Pipe-Water
170	98-9717	2	Clamp



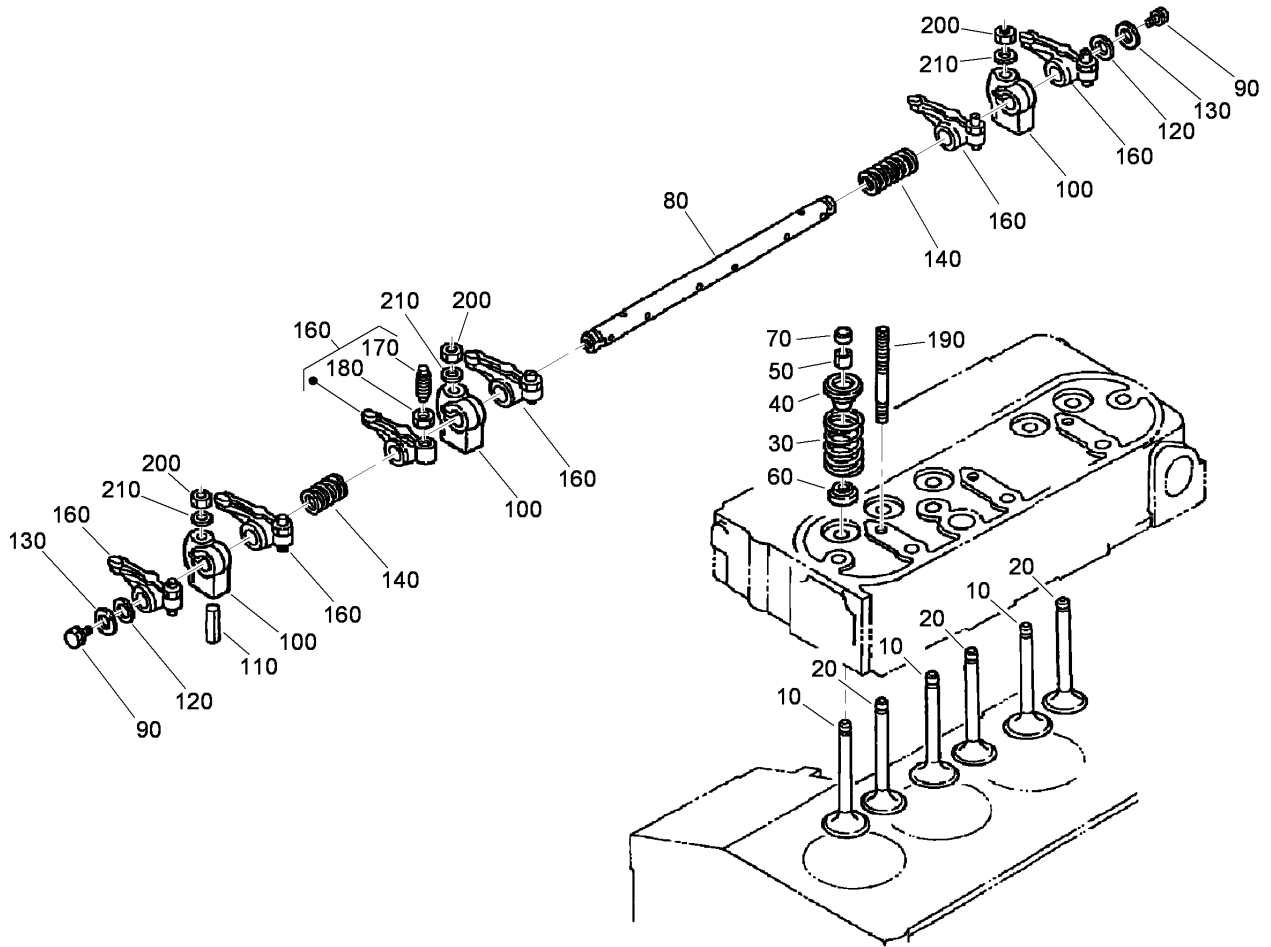
## Water Pump Assembly

Ref	Part No.	Qty.	Description				
10	107-9089	1	Water Pump ASM				
20	99-3517	1	Bearing-Pump, Water				
30	105-3750	1	Mechanical Seal ASM				
40	112-7017	1	Impeller-Pump, Water				
50	100-1932	1	Pipe-Return, Water				
60	99-3454	1	Gasket-Pump, Water				
70	98-9353	4	Bolt				
80	107-9090	2	Bolt				
90	99-3516	1	Flange-Pump, Water				
100	99-3514	1	Cover				
110	98-9636	1	Gasket-Pump, Fuel				
120	98-7572	2	Nut				
130	98-7699	2	Washer-Spring				



### Inlet and Exhaust Manifold Assembly

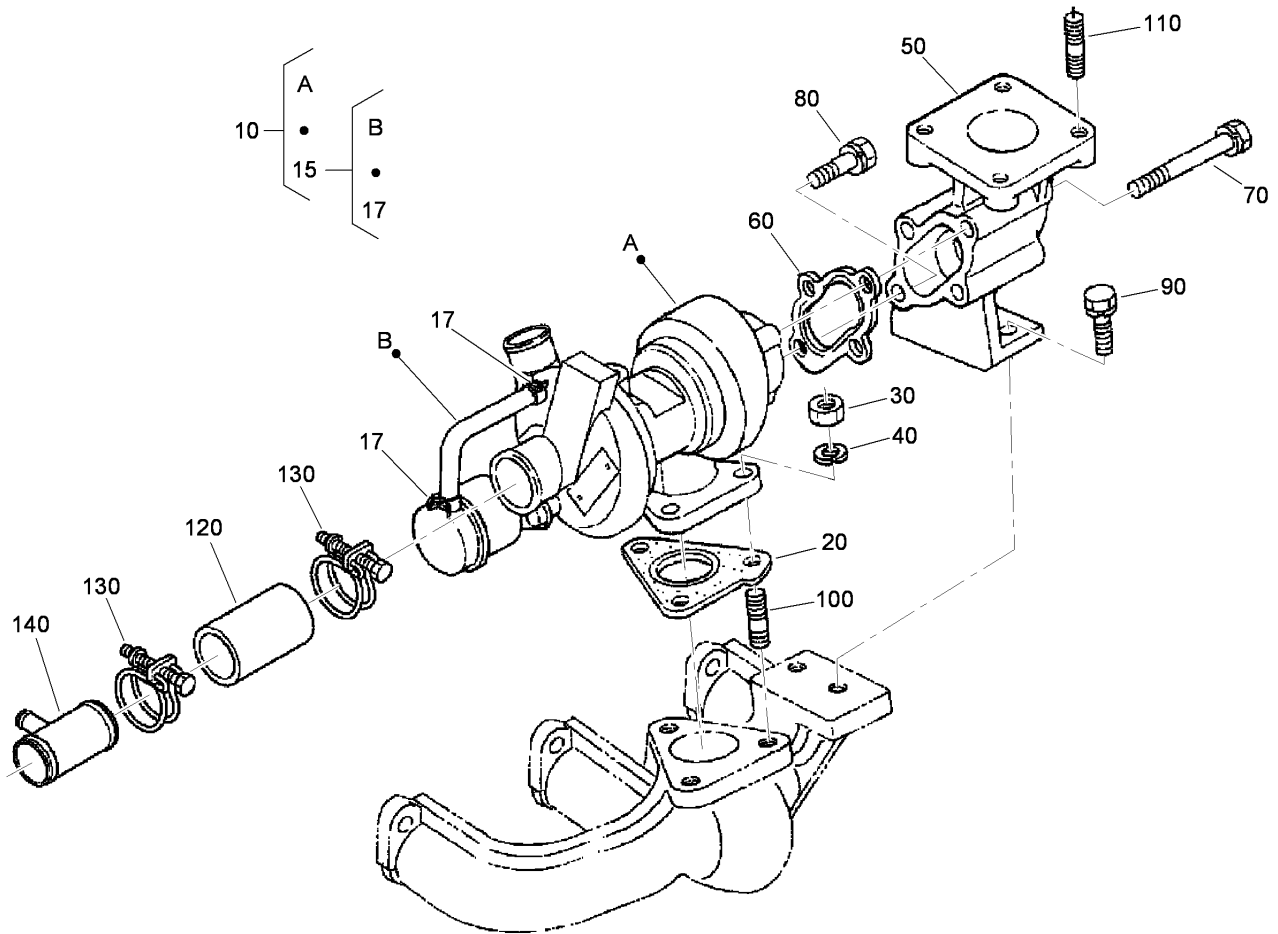
Ref	Part No.	Qty.	Description
10	99-8321	1	Manifold-Inlet
20	99-8329	1	Gasket-Manifold, Intake
30	98-7568	3	Bolt
40	107-9073	1	Bolt
50	99-8320	2	Bolt
60	115-3047	1	Hose-Inlet
70	115-3048	1	Clamp-Hose
80	115-3049	1	Clamp-Hose
90	108-1411	1	Manifold-Exhaust
100	99-8327	1	Gasket-Manifold, Exhaust
110	98-9588	6	Stud
120	98-9665	6	Nut



## Valve and Rocker Arm Assembly

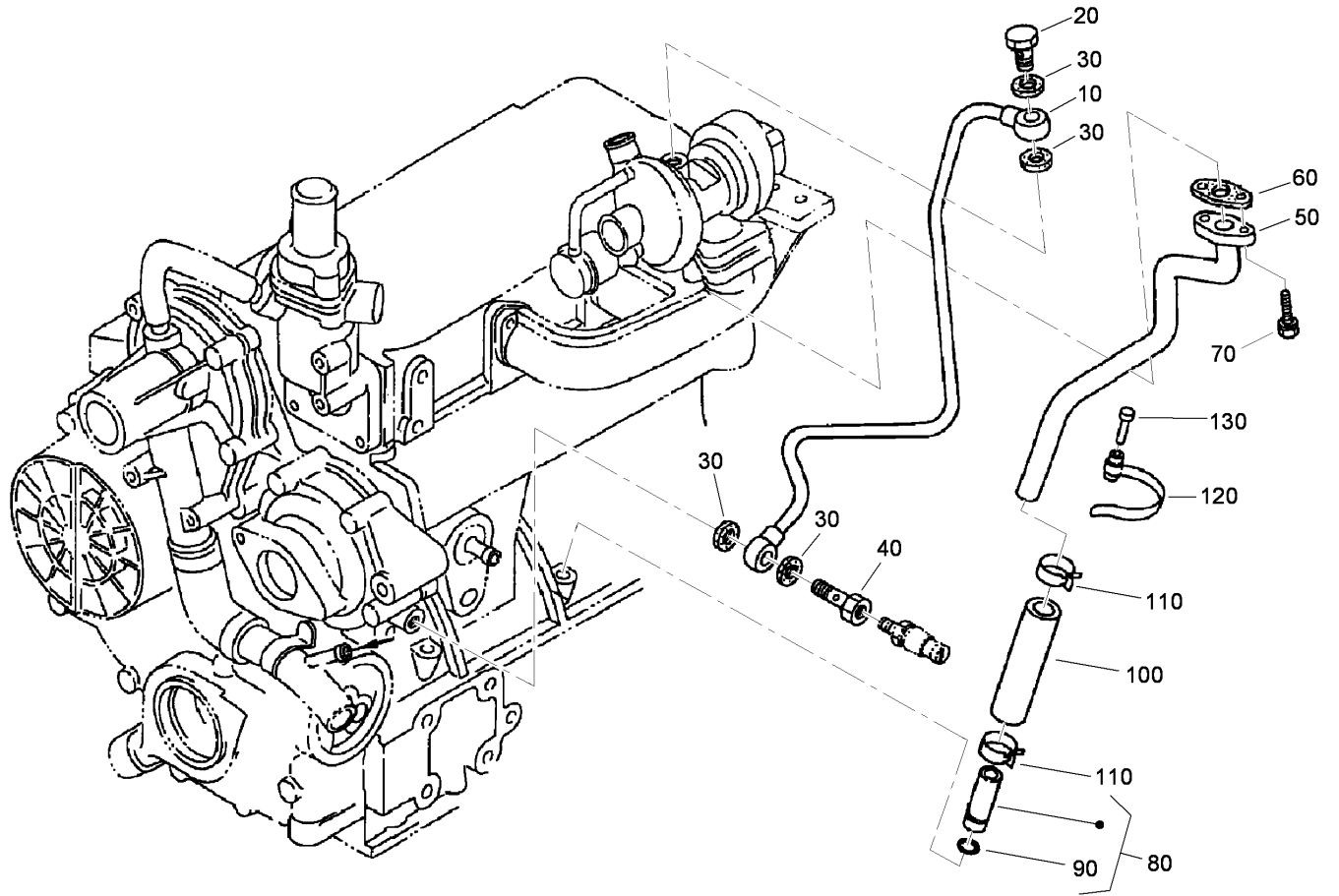
Ref	Part No.	Qty.	Description
10	112-7018	3	Valve-Inlet
20	112-7019	3	Valve-Exhaust
30	98-9626	6	Spring-Valve
40	107-9092	6	Retainer-Spring
50	98-9390	6	Collet-Set, Valve Spring
60	99-8385	6	Seat-Stem, Valve
70	98-9497	6	Cap-Valve
80	105-3790	1	R-Arm Shaft ASM
90	100-9265	2	Bolt
100	98-9505	3	Bracket-Arm, Rocker
110	105-3758	1	Pin-Spring
120	98-9507	2	Washer-Shaft, R-Arm
130	110-3832	2	Washer-Plain
140	98-9504	2	Spring-Arm, Rocker
160	112-7020	6	Rocker Arm ASM
170	98-9502	6	Screw-Adjusting
180	98-9503	6	Nut
190	98-9506	3	Stud
200	98-9393	3	Nut
210	98-9385	3	Washer-Flat

--	--	--	--



## Turbo Charger Assembly

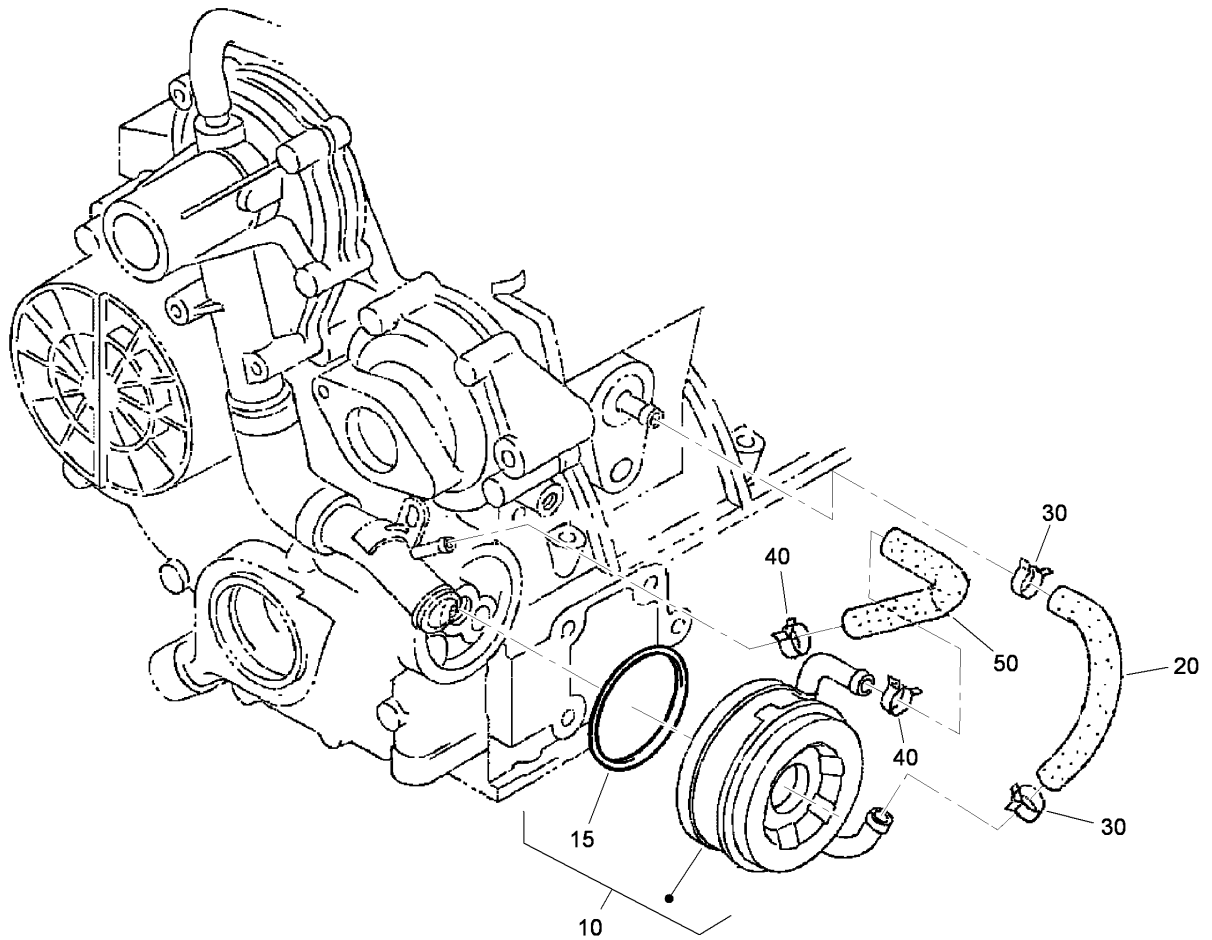
Ref	Part No.	Qty.	Description
10	108-1412	1	Turbo Charger ASM
15	108-1413	1	Hose ASM
17	108-1414	2	Clamp-Hose
20	105-3767	1	Gasket
30	98-7534	3	Nut
40	105-2893	3	Washer-Spring
50	99-8335	1	Flange-Muffler
60	105-3768	1	Gasket
70	115-4100	3	Bolt
80	105-2895	1	Bolt
90	98-7610	2	Bolt
100	99-8342	3	Stud
110	98-7769	4	Stud
120	115-4101	1	Tube-Inlet, Turbo
130	115-4102	2	Band
140	115-4103	1	Pipe-Inlet, Breather



## Turbo Charger Oil Pipe Assembly

Ref	Part No.	Qty.	Description
10	98-9419	1	Oil Pipe ASM
20	98-9418	1	Bolt-Joint, Eye
30	99-8346	4	Gasket
40	98-9417	1	Bolt-Joint, Eye
50	98-9461	1	Pipe Line ASM
60	108-4422	1	Gasket
70	98-7605	2	Bolt
80	99-8383	1	Oil Pipe ASM
90	98-9722	1	O-Ring
100	98-9721	1	Pipe-Oil
110	98-9714	2	Clamp-Hose
120	98-9601	1	Clamp-Pipe
130	98-9591	1	Pin-Band

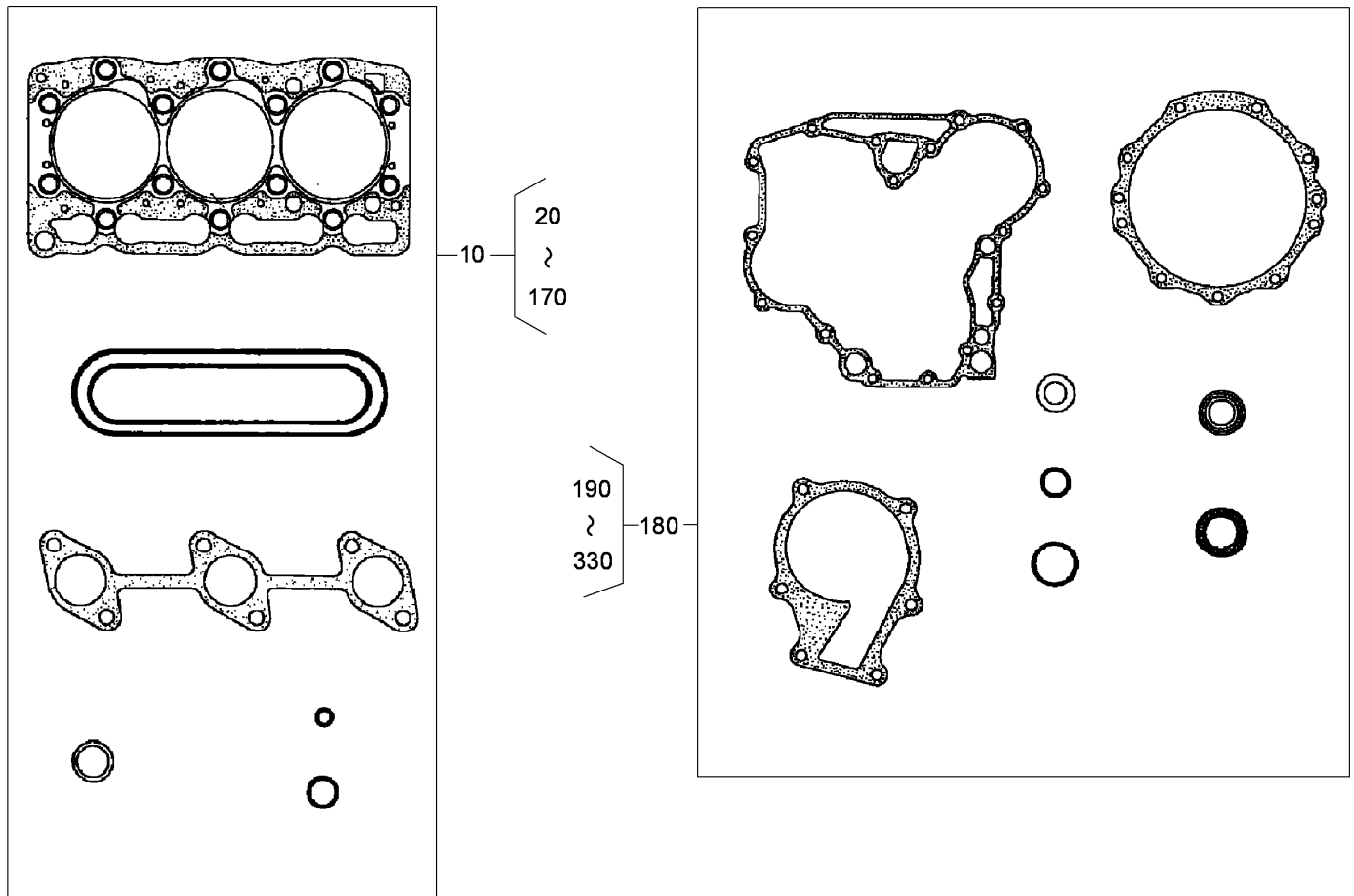


### Oil Cooler Assembly

Ref	Part No.	Qty.	Description
10	104-5158	1	Oil Cooler ASM
15	112-7030	1	O-Ring
20	98-9724	1	Pipe-Cooler, Oil
30	98-9579	2	Band-Pipe
40	98-9579	2	Band-Pipe
50	98-9578	1	Pipe-Return, Water

--	--	--	--



## Gasket Kit

Ref	Part No.	Qty.	Description
10	108-1415	1	Upper Gasket Kit
●20	108-6573	1	Gasket-Head, Cylinder
●40	99-8329	1	Gasket-Manifold, Intake
●50	105-3767	1	Gasket
●60	105-3768	1	Gasket
●70	99-8327	1	Gasket-Manifold, Exhaust
●80	99-8385	6	Seat-Stem, Valve
●90	98-9615	1	Gasket-Cover, Head
●100	98-9454	3	Gasket
●110	99-3446	1	O-Ring
●120	99-8346	4	Gasket
●130	108-4422	1	Gasket
●140	98-9722	1	O-Ring
●150	98-9638	1	Gasket-Flange, Water
●160	105-3748	1	Gasket-Thermostat
●170	99-8343	1	Gasket-Muffler
180	112-7041	1	Lower Gasket Kit
●190	98-9632	1	Gasket-Pump, Water
●200	98-9633	1	Gasket-Case, Gear
●210	105-3781	2	O-Ring
●220	105-3777	2	O-Ring
●230	98-9634	1	Gasket-Case, Bearing
●240	98-9635	1	Gasket-Cover, Bearing Case
●250	105-3783	1	O-Ring

Ref	Part No.	Qty.	Description
●260	105-3776	1	O-Ring
●270	98-9729	1	O-Ring
●280	98-9636	1	Gasket-Pump, Fuel
●290	98-9682	1	Gasket
●300	105-3788	1	O-Ring
●310	98-7601	1	Seal-Oil
●320	98-9637	1	Gasket
●330	98-9683	1	Gasket-Cover, Solenoid



# Attachments and Accessories

## For 30363TC - Groundsmaster 7210 with 72in Side Discharge Mower

Product Name	Model/Part
Tooth Rake	08751
Finish Grader	08754
Drag Mat Carrier System	08756
Steel Drag Mat	08757
Coco Drag Mat	08758
Lug Tire (24 X 12 - 12)	103-6771
Bahiagrass Baffle Kit	105-7269
Blade-Belt Kit, 62 Inch Guardian Only	105-7270
Blade-Belt Kit, 72 Inch Guardian Only	105-7271
Blade-Belt Kit, 72 Inch Side Discharge Only	105-7272
Striping Kit, 72 Inch Side Discharge Only	105-7273
Yellow Hydraulic Cap	107-1576
Cap-Diesel, Green	107-2172
Premium Engine Oil, 15w40 (Drum)	108-1181
Premium Engine Oil, 15w40 (Pail)	108-1182
Premium Transmission/Hydraulic Tractor Fluid (Drum)	108-1183
Premium Transmission/Hydraulic Tractor Fluid (Pail)	108-1184
Leaf Mulching Kit, 72 Inch Side Discharge Only	108-5273
Wheel And Tire ASM (Semi Pneumatic)	110-6406
Spark Arrestor Kit	112-1688
Bio-Diesel Fuel Filter Kit	112-9140
Slow Moving Vehicle Kit	114-4050
5 Inch Air Cleaner Safety Element	114-4057
Weight Mount Bracket Kit	114-4090
42-pound Weight, For Kit 114-4090	114-4096
MVP (Filter) Kit	30037
Guardian Recycler Completion Kit	30304
62 Inch Guardian Recycler Completion Kit	30306
Guardian Fine Recycler Completion Kit, Groundsmaster 7200 Series Traction Unit with 72 Inch Base Mower	30346
Polar Trac Kit	30370
Polar Trac Cab	30371
Road Light Kit	30374
Z-Stand Kit	30375
Rear Quick Attach System	30377
V-Plow Mounting Kit	30378
Auxiliary Hydraulic Power Kit	30380
Auxiliary Power Unit	30382
CE Kit	30392
Debris Blower	30393
Rear Discharge Kit, Groundsmaster 7200 Series Traction Unit with 62 Inch Base Mower	30463
Rear Discharge Kit, Groundsmaster 7200 Series Traction Unit with 72 Inch Base Mower	30466
48 Inch V-Plow	30750

# NOTES

# NOTES

# NOTES

