



Multicycler 48cm Lawn Mower

Model No. 20636 - 280J00001 and up.

Parts Catalog

Ordering Replacement Parts

To order replacement parts, please supply the part number, the quantity, and the description of each part desired.

Understanding Reference Numbers

Each identified part in an illustration has a reference number. The reference number for a part also appears in the parts list, along with other information about the part.

This catalog uses two special reference number formats, one to indicate parts in a service assembly and another to indicate the quantity of a given part in an illustration.

Service Assembly Reference Numbers

Parts in service assemblies have reference numbers in the form a:b. The a represents the reference number of the entire service assembly and the b represents a sequential number unique to each part within the service assembly.

For example, a wheel assembly might be identified by reference number 6, the tire by 6:1, the valve by 6:2, and the wheel by 6:3. When you order the assembly identified by reference number 6, you receive all parts identified by reference numbers 6:1, 6:2, and 6:3. However, you may also order any part individually. Reference numbers of this type appear in illustrations and in part lists.

Reference Numbers Indicating Quantity

In an illustration, if a reference number indicates more than one part, the reference number has the form nX y. The n represents the quantity of the part, the X is the multiplication symbol, and the y represents the reference number.

For example, in an illustration, the reference number 2X 37 means that two of the parts identified by reference number 37 are indicated.

Contents

Description	Page	Description	Page
Deck Assembly 3	Carburetor Assembly Briggs and Stratton 126T02-1841-B1 13
Drive Assembly 4	Air Cleaner Assembly Briggs and Stratton 126T02-1841-B1 14
Height-of-Cut and Front Wheel Assembly 5	Governor Assembly Briggs and Stratton 126T02-1841-B1 15
Engine Assembly 6	Muffler and Fuel Tank Assembly Briggs and Stratton 126T02-1841-B1 16
Lower Handle Assembly 7	Blower Housing Assembly Briggs and Stratton 126T02-1841-B1 17
Upper Handle Assembly 8	Starter Assembly Briggs and Stratton 126T02- 1841-B1 18
Grass Bag Assembly 9	Gasket Kit Briggs and Stratton 126T02-1841- B1 19
Cylinder Assembly Briggs and Stratton 126T02-1841-B1 10	Carburetor Overhaul Kit Briggs and Stratton 126T02-1841-B1 20
Crankshaft Assembly Briggs and Stratton 126T02-1841-B1 11		
Crankcase Assembly Briggs and Stratton 126T02-1841-B1 12		

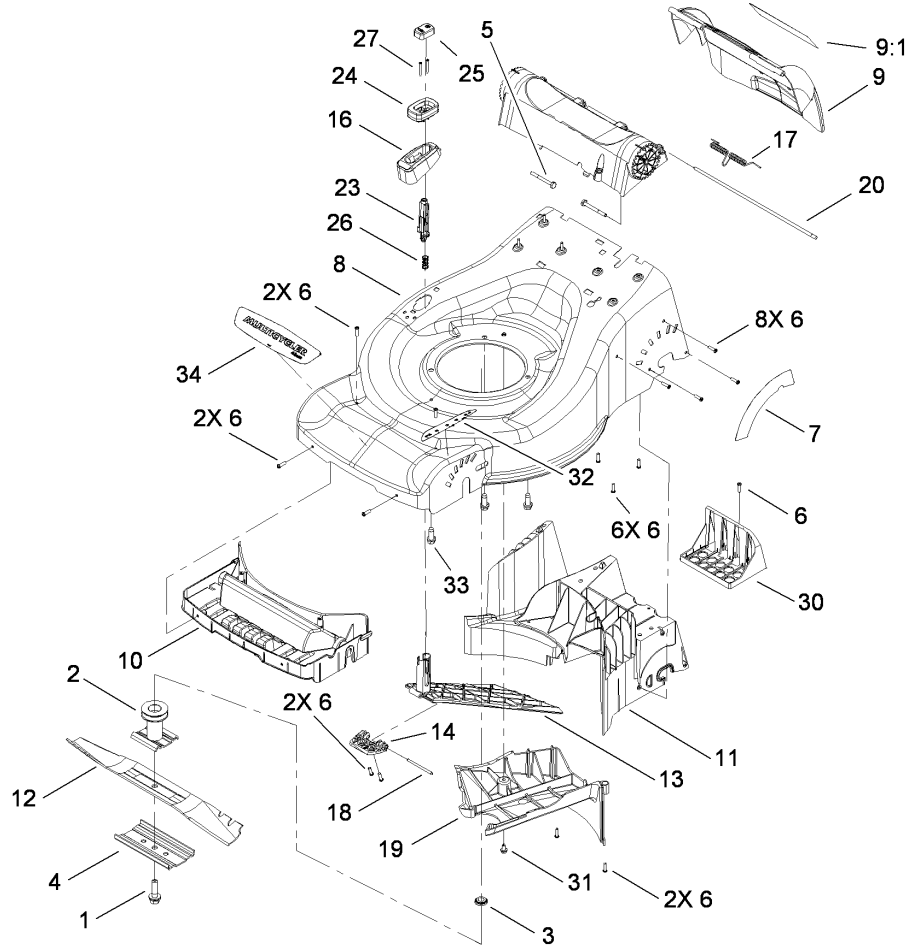
Part Description Abbreviations

Part descriptions in this catalog may include the following abbreviations.

AR. as required	HYD. hydraulic
ASM. assembly	LH. left hand
BBC. blade brake clutch	NI. nylon insert
CARR. carriage	NPTF. national pipe thread fine
DEG. degrees	PFH. phillips flat head
EXT. external	PPH. phillips pan head
FH. flat head	PPHTF. phillips pan head thread forming
GA. gauge	PRH. phillips round head
HD. heavy-duty	PTH. phillips truss head
HF. hex flange	PTO. power-take-off
HH. hex head	RH. right hand
HHF. hex head flange	ROPS. roll-over protection system
HHFTF. hex head flange thread forming	SFH. slotted fillister head
HJ. hex jam	SHH. slotted hex head
HLH. hex lag head	SHWH. slotted hex washer head
HOC. height-of-cut	SPH. slotted pan head
HSBH. hex socket button head	SQH. square head
HSFH. hex socket flat head	SRH. slotted round head
HSH. hex socket head	STD. standard
HWH. hex washer head	TAP. self tapping
HWHTF. hex washer head thread forming	TTH. torx truss head

Footnotes

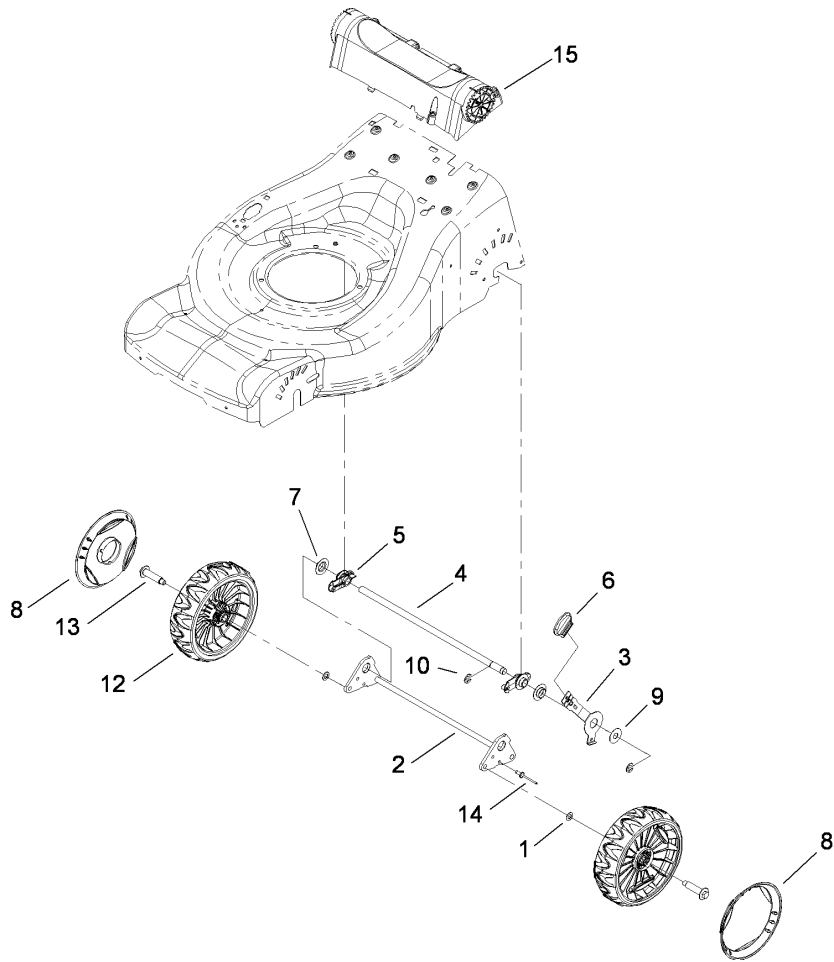
- | | |
|--|---|
| ❶ Not serviced separately | ❷ Obtain from your local Briggs & Stratton dealer |
| ❸ Included in Carburetor Overhaul Kit (Ref. No. 121) | ❹ Included in Engine Gasket Set (Ref. No. 358) |
| ❺ Included in Carburetor Gasket Set (Ref. No. 977) | |



Deck Assembly

Ref	Part No.	Qty.	Description
1	105-8579	1	Bolt-Blade
2	106-3987	1	Blade Driver ASM
3	106-3999	1	Spacer-Driver
4	108-3766	1	Support-Blade
5	110-7110	2	Screw-HH
6	110-1271	23	Screw-Torx, Pan Head
7	110-7058	1	Decal
8	115-3132	1	Deck ASM
9	114-5373	1	Rear Door ASM
9:1	110-7126	1	Decal-Warning
10	110-7066	1	Baffle-Front
11	114-5380	1	Baffle-Rear
12	110-7080	1	Blade
13	110-7094	1	Door-Recycle
14	110-7095	1	Hinge-Door, Recycle
16	110-7097	1	Cover-Door, Recycle
17	110-7107	1	Spring-Torsion
18	110-7108	1	Pin-Hinge
19	110-7109	1	Cover-Belt
20	110-7119	1	Bar-Pivot, Rear Door
23	110-7129	1	Latch-Recycle
24	110-7136	1	Housing-Knob
25	110-7138	1	Knob
26	110-7141	1	Spring-Compression

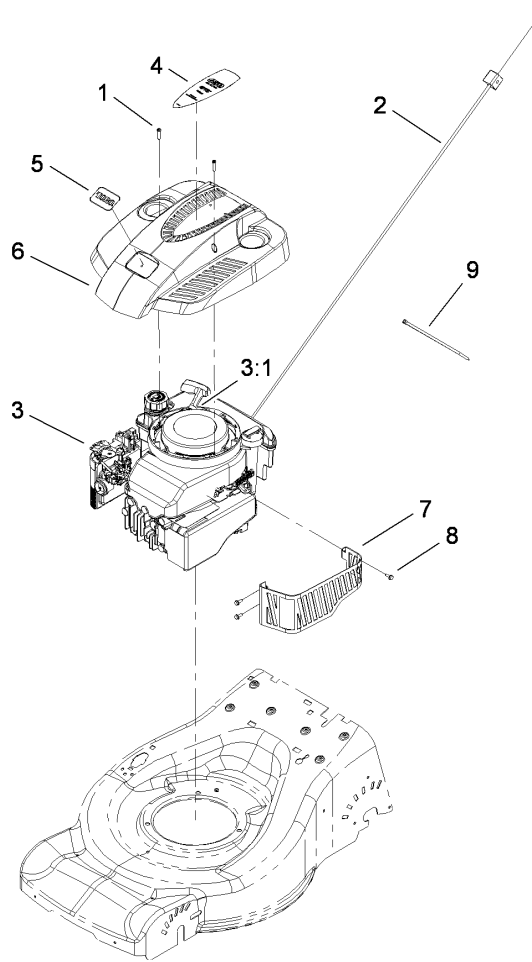
Ref	Part No.	Qty.	Description
27	110-7143	2	Screw-Torx, Pan Head
30	110-7154	1	Tray-Battery
31	110-7170	1	Screw-HH
32	110-7178	1	Decal
33	110-7182	3	Screw-Taptite, HWH
34	114-2607	1	Decal



Drive Assembly

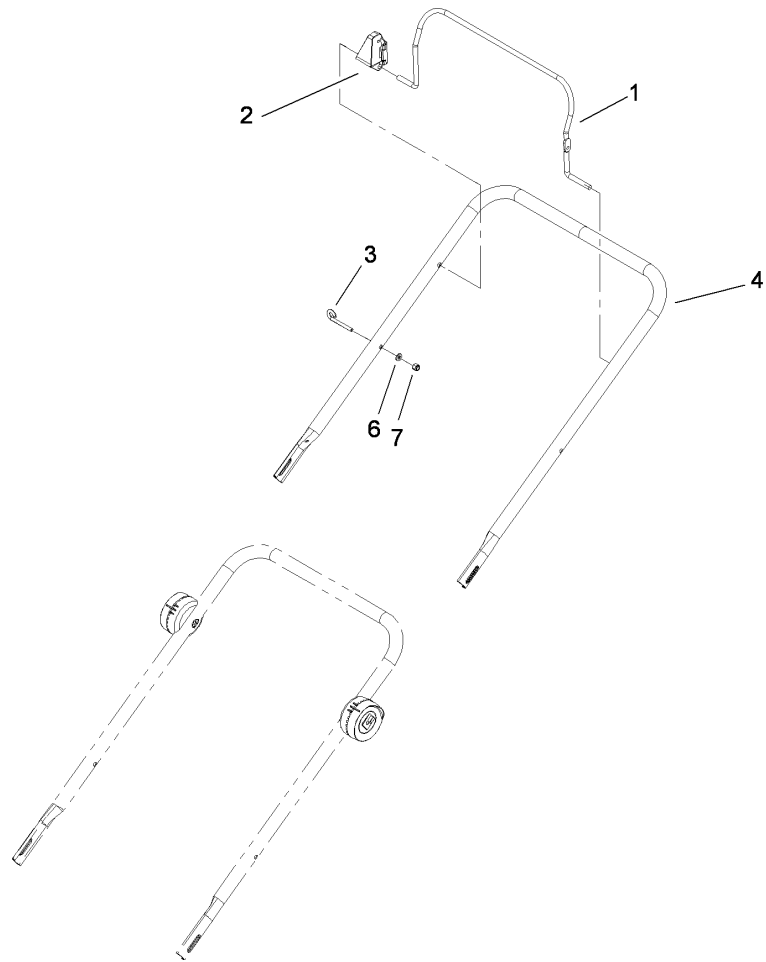
Ref	Part No.	Qty.	Description
1	40-1940	2	Washer
2	110-7016	1	Pivot Bar ASM
3	110-7073	1	Lever-HOC, Rear
4	110-7076	1	Axle-Rear, Push
5	110-7112	2	Bushing-Camlock
6	110-7125	1	Knob-HOC
7	110-7171	2	Spacer-Flange
8	110-7174	2	Cover-Wheel, Rear
9	110-7179	1	Washer
10	110-7180	2	E-Clip
12	110-7254	2	Rear Wheel ASM
13	614650	2	Bolt-Shoulder
14	110-7193	2	Rivet-Pop
15	110-7153	1	Mount-Handle

--	--	--	--



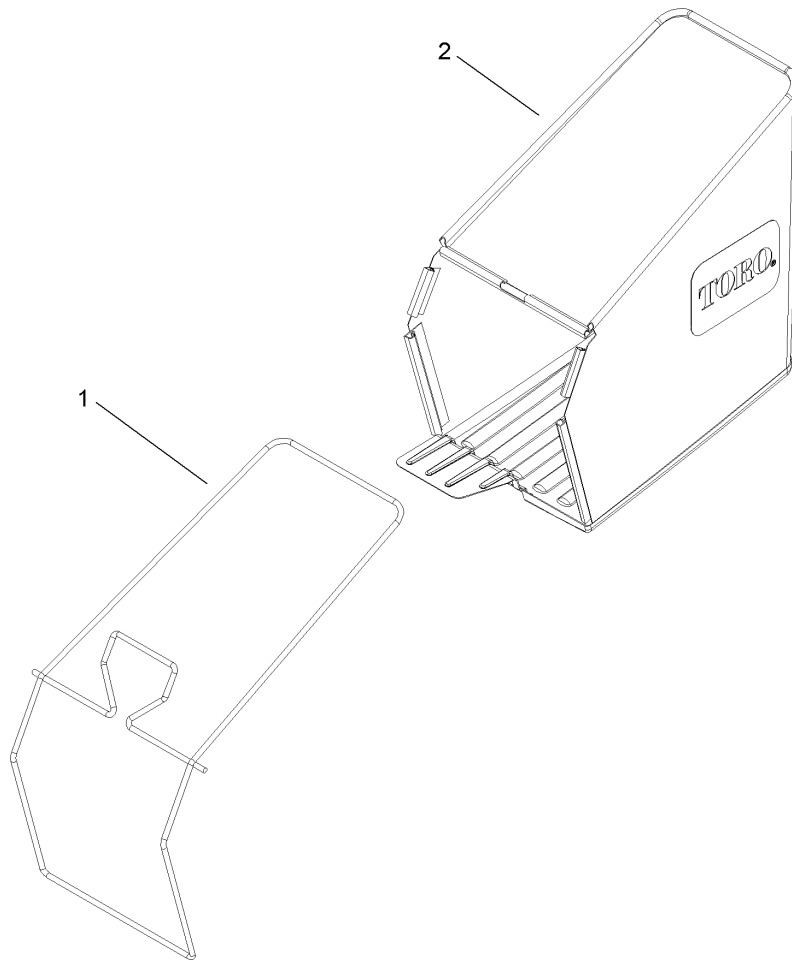
Engine Assembly

Ref	Part No.	Qty.	Description				
1	93-0231	2	Screw-PPH				
2	104-8677	1	Cable-Brake				
① ② ③		1	Engine-Briggs And Stratton, 126T02-1841-B1				
3:1	2210-316	1	Stop-Rope				
4	115-3857	1	Decal				
5	110-7135	1	Decal				
6	110-9156	1	Shroud-Engine				
7	110-9158	1	Shield-Muffler				
8	32144-1	3	Screw-Taptite				
9	614249	1	Strap-Tie				



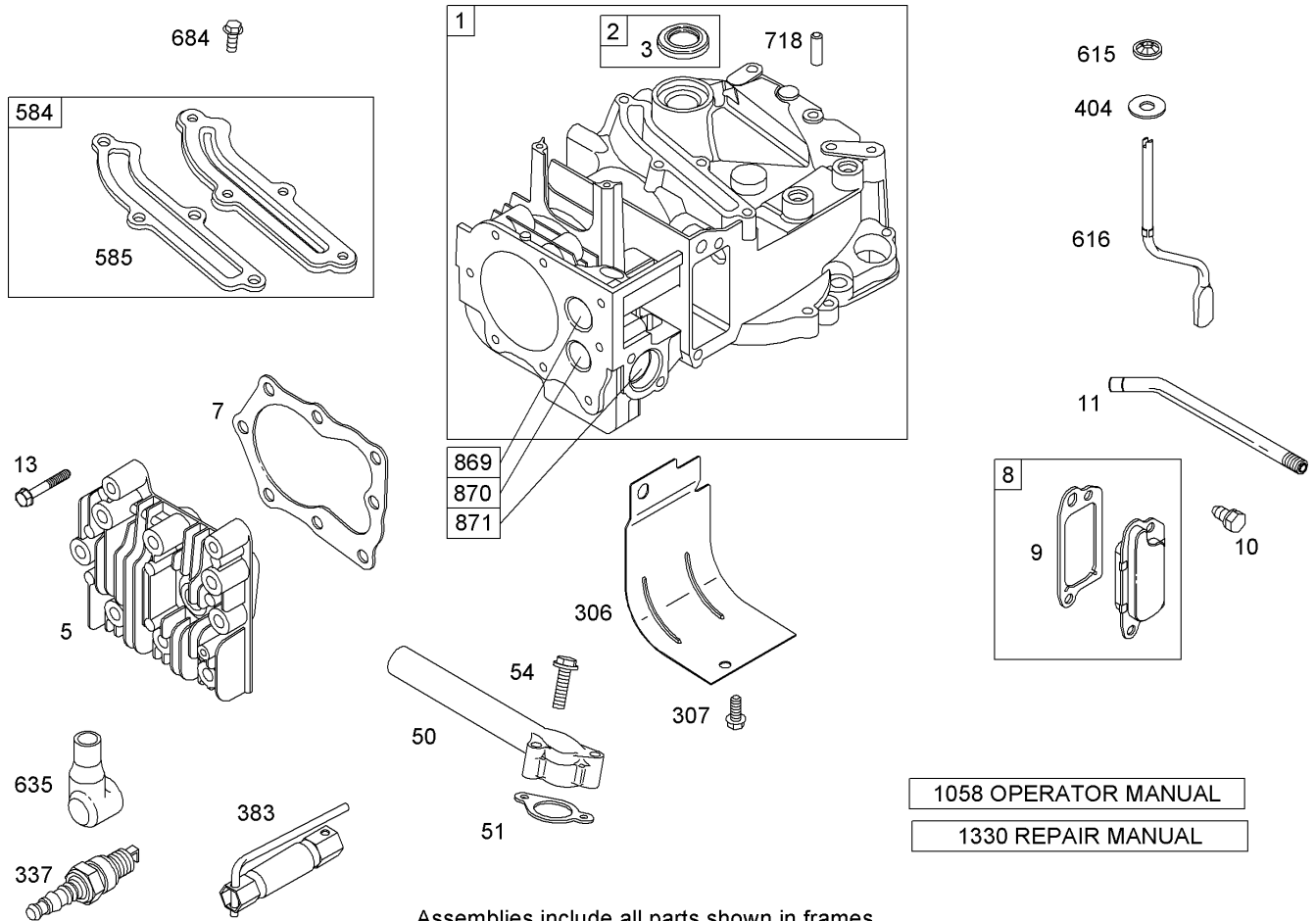
Upper Handle Assembly

Ref	Part No.	Qty.	Description				
1	105-6800-03	1	Bail-Brake				
2	107-0757	1	Stop-Pivot				
3	110-7133	1	Cord-Guide, Engine Start				
4	114-5370	1	Handle-Upper				
6	110-8450	1	Washer				
7	110-8451	1	Nut-Hex, Nyloc				



Grass Bag Assembly

Ref	Part No.	Qty.	Description
1	114-5374	1	Bag Frame ASM
2	110-7255	1	Bag ASM

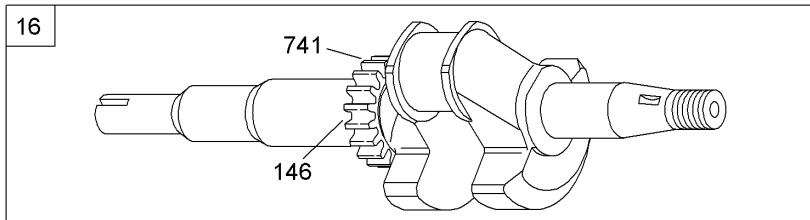
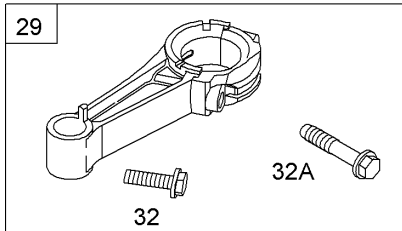
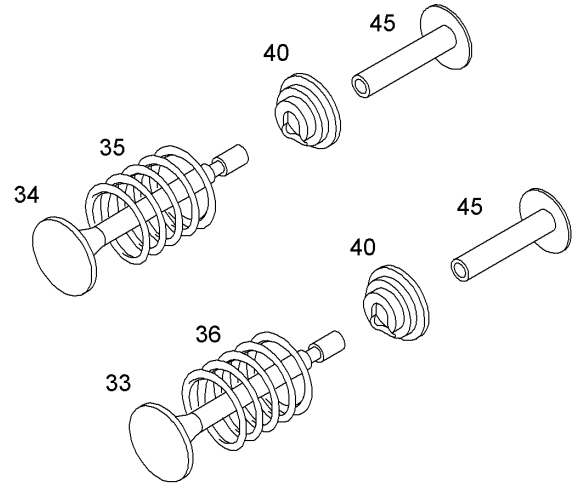
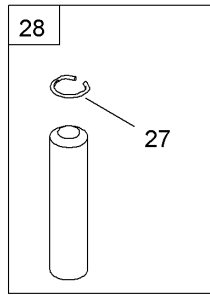
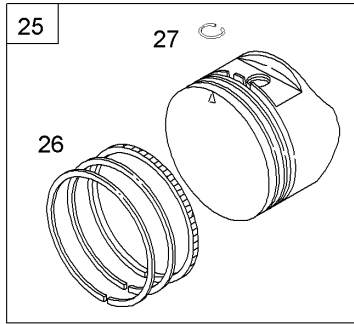


Assemblies include all parts shown in frames

Cylinder Assembly Briggs and Stratton 126T02-1841-B1

Ref	Part No.	Qty.	Description
1	697322	1	Cylinder ASM
2	399269	1	Bushing And Seal Kit
3	299819s	1	Seal-Oil (Magneto Side)
5	691160	1	Head-Cylinder
7	692249	1	Gasket-Head, Cylinder
8	695250	1	Breather ASM
9	696125	1	Gasket-Breather
10	691125	1	Screw (Breather ASM)
11	691781	1	Tube-Breather
13	690912	1	Screw (Cylinder Head)
50	497465	1	Manifold-Intake
51	272199s	1	Gasket-Intake
54	691650	1	Screw (Intake Manifold)
306	690450	1	Shield-Cylinder
307	690345	1	Screw (Cylinder Shield)
337	802592s	1	Plug-Spark
383	89838s	1	Wrench-Spark Plug
404	690272	1	Washer (Governor Crank)
584	697734	1	Cover-Passage, Breather
585	691879	1	Gasket-Passage, Breather
615	690340	1	Retainer-Shaft, Governor
616	698801	1	Crank-Governor
635	793351	1	Boot-Spark Plug
684	690345	1	Screw (Breather Passage Cover)

Ref	Part No.	Qty.	Description
718	690959	1	Pin-Locating
869	691155	1	Seat-Valve (Intake)
870	690380	1	Seat-Valve (Exhaust)
871	262001	1	Bushing-Guide (Exhaust)
871	63709	1	Bushing-Guide (Intake)
1058	MS3262	1	Operator Manual (West)
1058	MS3786	1	Operator Manual (East)
1330	270962	1	Repair Manual

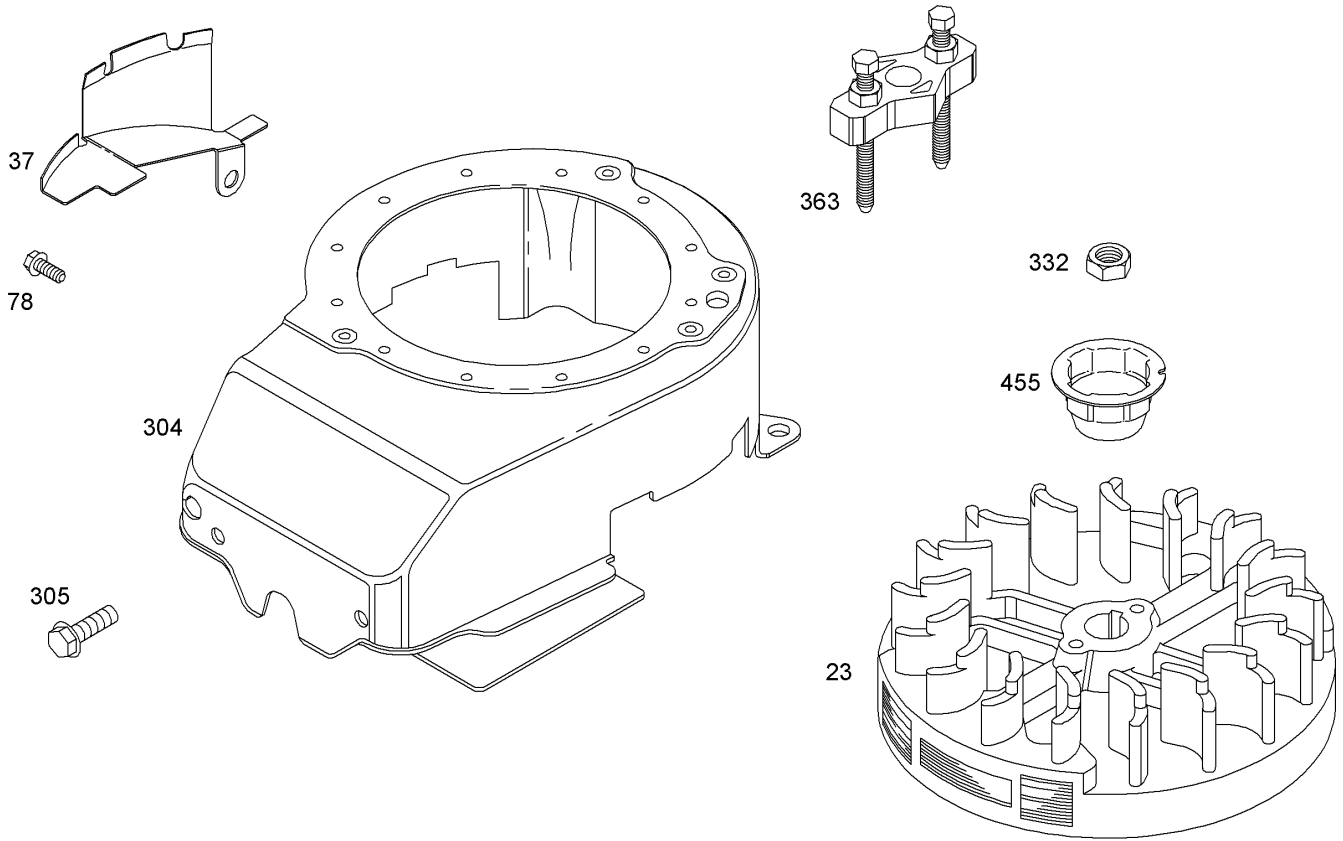


Assemblies include all parts shown in frames

Crankshaft Assembly Briggs and Stratton 126T02-1841-B1

Ref	Part No.	Qty.	Description
16	696009	1	Crankshaft
24	222698s	1	Key-Flywheel
25	791097	1	Piston ASM (STD)
25	791326	1	Piston ASM (.020 O S)
26	791098	1	Ring Set (STD)
26	791324	1	Ring Set (.020 O S)
27	691866	1	Lock-Pin, Piston
28	499423	1	Pin-Piston (STD)
29	499424	1	Rod-Connecting (STD)
32	691664	1	Screw (Connecting Rod)
32A	695759	1	Screw (Connecting Rod)
33	262651s	1	Valve-Exhaust
34	262652s	1	Valve-Intake
35	691270	1	Spring-Valve (Intake)
36	691270	1	Spring-Valve (Exhaust)
40	692194	1	Retainer-Valve
45	690548	1	Tappet-Valve
146	690979	1	Key-Timing
741	691830	1	Gear-Timing

--	--	--	--



1036 EMISSIONS LABEL

Assemblies include all parts shown in frames

Blower Housing Assembly Briggs and Stratton 126T02-1841-B1

Ref	Part No.	Qty.	Description
23	691987	1	Flywheel
37	694086	1	Guard-Flywheel
78	691108	1	Screw (Flywheel Guard)
304	695892	1	Housing-Blower
305	691108	1	Screw (Blower Housing)
332	690662	1	Nut (Flywheel)
363	19069	1	Puller-Flywheel
455	791960	1	Cup-Flywheel
1036		1	Label-Emissions

--	--	--	--

NOTES

NOTES

NOTES

