



826LE Power Max Snowthrower

Model No. 38620 - 250000001 and up.

Parts Catalog

Ordering Replacement Parts

To order replacement parts, please supply the part number, the quantity, and the description of each part desired.

Understanding Reference Numbers

Each identified part in an illustration has a reference number. The reference number for a part also appears in the parts list, along with other information about the part.

This catalog uses two special reference number formats, one to indicate parts in a service assembly and another to indicate the quantity of a given part in an illustration.

Service Assembly Reference Numbers

Parts in service assemblies have reference numbers in the form a:b. The a represents the reference number of the entire service assembly and the b represents a sequential number unique to each part within the service assembly.

For example, a wheel assembly might be identified by reference number 6, the tire by 6:1, the valve by 6:2, and the wheel by 6:3. When you order the assembly identified by reference number 6, you receive all parts identified by reference numbers 6:1, 6:2, and 6:3. However, you may also order any part individually. Reference numbers of this type appear in illustrations and in part lists.

Reference Numbers Indicating Quantity

In an illustration, if a reference number indicates more than one part, the reference number has the form nX y. The n represents the quantity of the part, the X is the multiplication symbol, and the y represents the reference number.

For example, in an illustration, the reference number 2X 37 means that two of the parts identified by reference number 37 are indicated.

Contents

Description	Page	Description	Page
Auger and Housing Assembly 3	Engine Assembly No. 1 Tecumseh LH318SA-156562H 14
Auger Gearcase Assembly No. 106-4580 4	Engine Assembly No. 2 Tecumseh LH318SA-156562H 16
Chute Assembly 5	Electric Starter No. 33329D Tecumseh LH318SA-156562H 18
Chain Drive Assembly 6	Rewind Starter No. 590749 Tecumseh LH318SA-156562H 19
Frame Assembly 7	Recoil Starter No. 590733 (Optional) Tecumseh LH318SA-156562H 20
Handle Control Assembly 9	Attachments and Accessories List 21
Handle and Control Assembly 10		
Chute Control Assembly 11		
Engine Assembly 12		
Carburetor Assembly No. 640349 Tecumseh LH318SA-156562H 13		

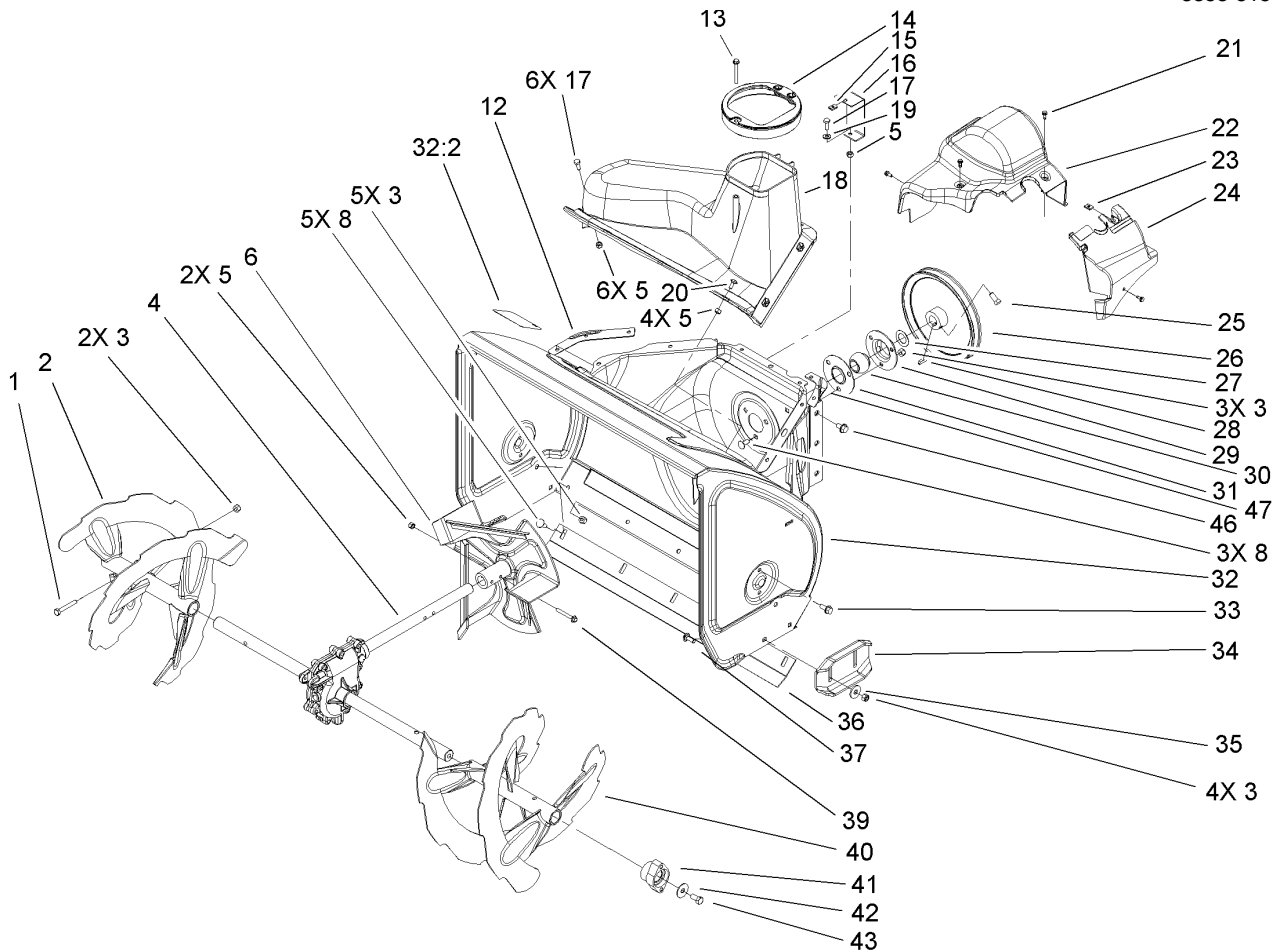
Part Description Abbreviations

Part descriptions in this catalog may include the following abbreviations.

AR. as required	HYD. hydraulic
ASM. assembly	LH. left hand
BBC. blade brake clutch	NI. nylon insert
CARR. carriage	NPTF. national pipe thread fine
DEG. degrees	PFH. phillips flat head
EXT. external	PPH. phillips pan head
FH. flat head	PPHTF. phillips pan head thread forming
GA. gauge	PRH. phillips round head
HD. heavy-duty	PTH. phillips truss head
HF. hex flange	PTO. power-take-off
HH. hex head	RH. right hand
HHF. hex head flange	ROPS. roll-over protection system
HHFTF. hex head flange thread forming	SFH. slotted fillister head
HJ. hex jam	SHH. slotted hex head
HLH. hex lag head	SHWH. slotted hex washer head
HOC. height-of-cut	SPH. slotted pan head
HSBH. hex socket button head	SQH. square head
HSFH. hex socket flat head	SRH. slotted round head
HSH. hex socket head	STD. standard
HWH. hex washer head	TAP. self tapping
HWHTF. hex washer head thread forming	TTH. torx truss head

Footnotes

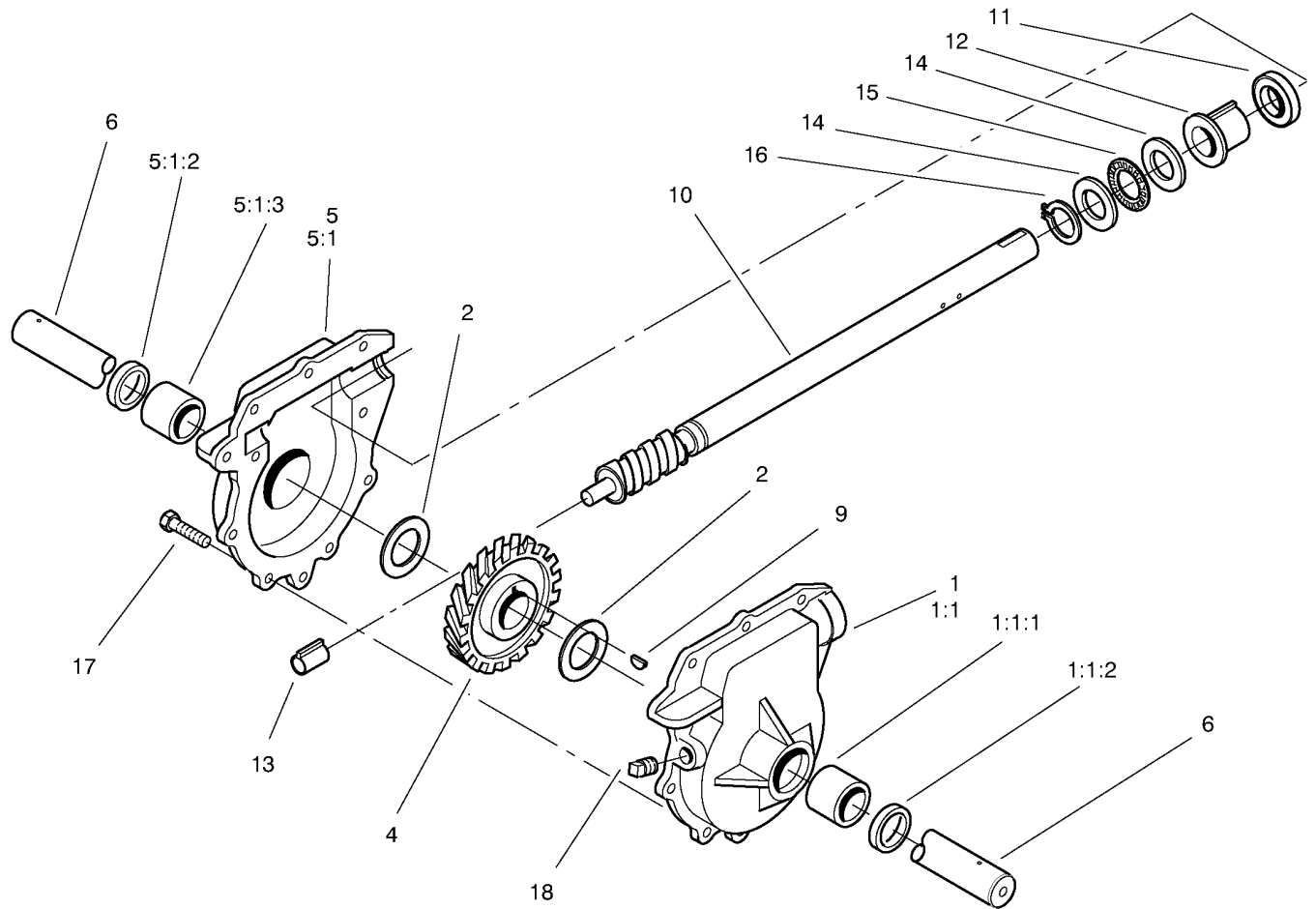
- | | |
|--|----------------------------------|
| ❶ Not illustrated | ❷ Not serviced separately |
| ❸ Obtain from your local Tecumseh dealer | ❹ Included in Repair Kit 632760B |
| ❺ Included in Gasket Set 36450C | |



Auger and Housing Assembly

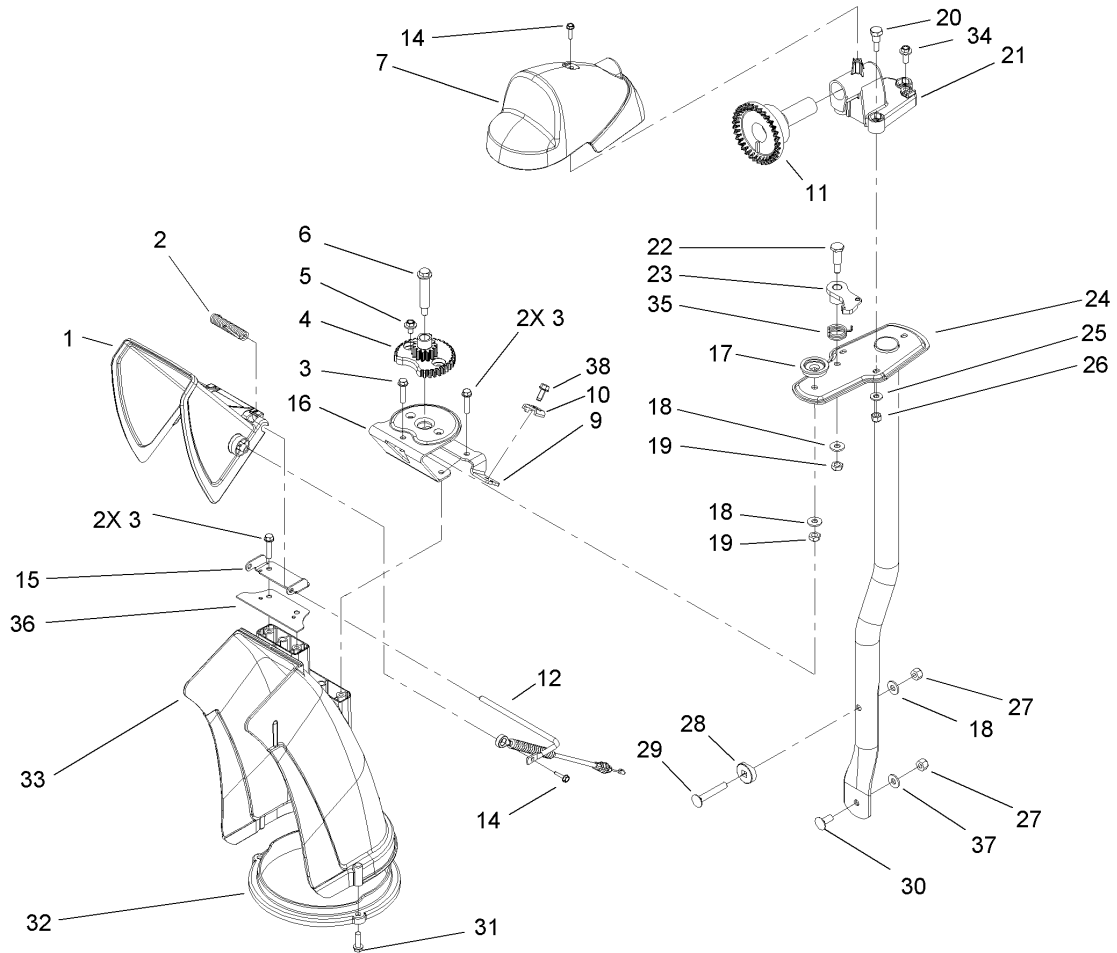
Ref	Part No.	Qty.	Description
1	322-10	2	Screw-HH
2	106-7289-03	1	RH Auger ASM
3	3296-29	14	Nut-Lock, NI
4	106-4580	1	26Inch Auger Gearcase ASM
5	3296-42	13	Nut-Lock, NI
6	106-4576-03	1	Impeller ASM
8	3230-23	8	Screw-CARR
12	107-1017-03	1	Seal-Flange, Cover
13	107-3003	1	Screw-Plastite
14	107-3006	1	Guide-Chute
15	107-1013	1	Nut-Speed, U-Type
16	107-1014-03	1	Bracket-Cover, Clip Nut
17	321-4	7	Screw-HH
18	108-0017	1	Cover
19	3256-22	1	Washer-Flat
20	3229-1	4	Screw-CARR
21	32144-112	4	Screw-HWH
22	107-1001	1	Cover-Belt
23	701493	1	Nut-Speed
24	107-1016	1	Cover-Extension, Belt
25	3242-4	2	Screw-Set, SQH
26	62-1300	1	Pulley-Impeller
27	252-80	1	Washer-Thrust
28	3257-23	1	Key-Woodruff

Ref	Part No.	Qty.	Description
29	26-6110	1	Flange-Cup, Bearing
30	63-3450	1	Bearing-Ball
31	26-6120	1	Flange-Cup, Bearing
32	107-3821	1	Housing-Auger, 26 Inch
32:2	53-7670	1	Decal-Warning, Auger
33	32144-70	4	Screw-HWHTF
34	106-4588-01	2	Skid
35	52-2861	4	Washer
36	105-9976-01	1	Scraper-Fixed
37	3230-16	4	Screw-CARR
39	321-44	2	Screw-HHF
40	106-7299-03	1	LH Auger ASM
41	106-4570	2	Auger-Bearing
42	3-0750	2	Washer
43	323-4	2	Screw-HH
46	32144-14	6	Screw-HWHTF
47	108-0039-03	1	Seal



Auger Gearcase Assembly No. 106-4580

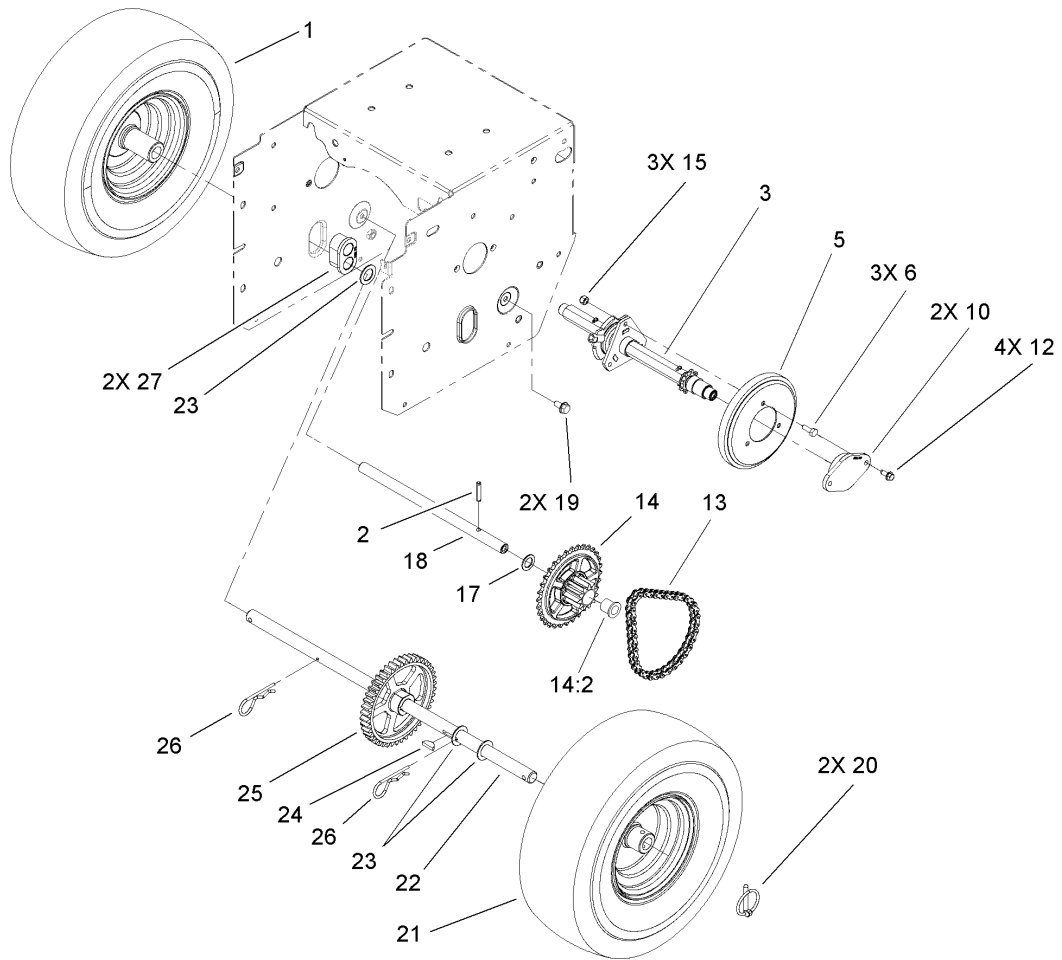
Ref	Part No.	Qty.	Description
1	74-1570	1	LH Auger Gearcase ASM
② 1:1		1	Gearcase-Auger, LH
1:1:1	256-237	1	Bushing
1:1:2	7-0045	1	Seal-Oil
2	252-71	2	Washer-Thrust
4	62-0120	1	Gear-Helical
5	74-1580	1	RH Auger Gearcase ASM
② 5:1		1	Gearcase-Auger, RH
5:1:2	7-0045	1	Seal-Oil
5:1:3	256-237	1	Bushing
6	106-4579	1	Shaft-Auger
9	3257-10	1	Key-Woodruff
10	66-7811	1	Shaft-Impeller
11	253-149	1	Seal-Oil
12	37-6560	1	Bushing-Input
13	62-1150	1	Bushing-Worm
14	252-78	2	Bearing-Thrust
15	252-76	1	Bearing-Thrust
16	32151-33	1	Ring-Retaining, EXT
17	32144-110	9	Screw-HWH
18	281-1	1	Plug-Pipe, SQH



Chute Assembly

Ref	Part No.	Qty.	Description
1	106-4587	1	Deflector-Chute
2	106-4594	1	Spring-Torsion
3	46-8092	5	Screw-Plastite
4	106-4472	1	Gear-Chute
5	46-6810	2	Screw And Washer ASM
6	100-9880	1	Bolt-Shoulder
7	106-4585	1	Cover-Gear, Chute
9	106-7296	1	Bracket-Cable, Clamp
10	106-7297	1	Clamp-Cable
11	106-4471	1	Gear-Face
12	107-1021	1	Rod-Deflector
14	98-1375	2	Screw-HWH
15	106-7266	1	Bracket-Deflector
16	106-4582-03	1	Bracket-Support, Chute
17	106-4422	1	Spacer-Chute
18	3256-2	3	Washer-Flat
19	3296-47	2	Nut-Lock, NI
20	106-7276	3	Screw-Shoulder
21	106-7257	1	Mount-Gear, Face
22	63-2650	1	Screw-Shoulder
23	106-4476	1	Latch-Chute
24	106-7253-03	1	Tube-Support
25	3256-22	3	Washer-Flat
26	3296-42	3	Nut-Lock, NI

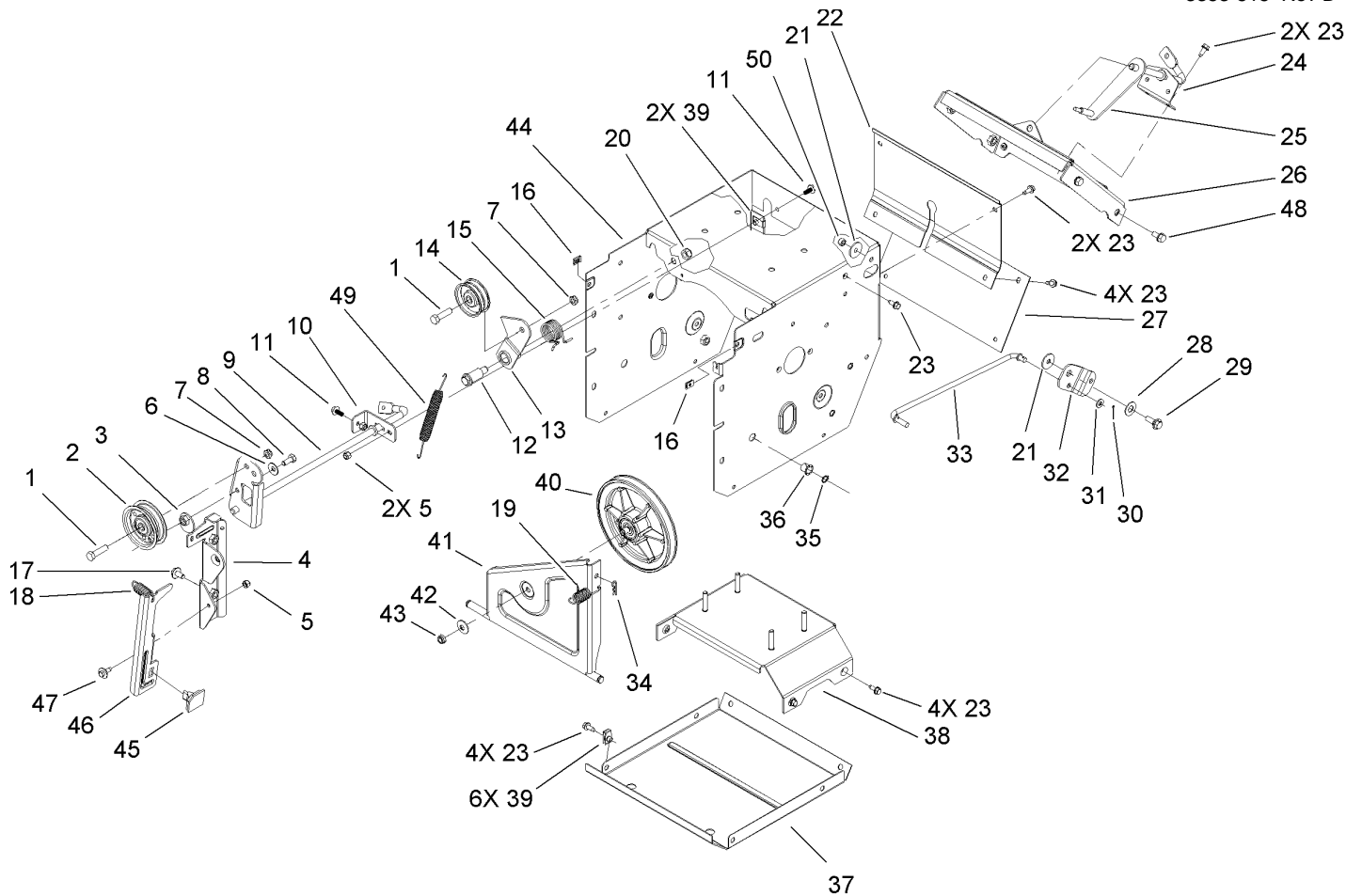
Ref	Part No.	Qty.	Description
27	3296-29	2	Nut-Lock, NI
28	106-7260	1	Washer-Curved
29	3230-5	1	Screw-CARR
30	3230-23	1	Screw-CARR
31	46-8091	3	Screw-HWH
32	105-9991	1	Ring-Chute
33	106-4440	1	Chute-Discharge
34	46-6811	1	Screw-HWH
35	106-4475	1	Spring-Torsion
36	107-1019	1	Seal-Chute
37	3290-456	1	Washer-Belleville
38	32144-10	1	Screw-HWH



Chain Drive Assembly

Ref	Part No.	Qty.	Description
1	107-3042	1	Tire
1	107-3043	1	Rim-Tire
2	32121-9	1	Pin-Roll, Slotted
23		1	Hexshaft ASM
5	106-4480	1	Wheel-Friction
6	321-4	3	Screw-HH
10	108-2981	2	Retainer-Bearing
12	32144-10	4	Screw-HWH
13	108-0016	1	Chain-Roller
13	2710-6	1	Link-Connecting
14	108-0013	1	Sprocket ASM
14:2	108-2974	2	Bushing-Flange
15	3296-42	3	Nut-Lock, NI
17	107-3041	1	Washer-Flat
18	106-4592	1	Shaft-Intermediate
19	32144-14	2	Screw-HWHTF
20	107-3039	2	Klik Pin ASM
21	107-3042	1	Tire
21	107-3043	1	Rim-Tire
22	106-4449	1	Shaft-Axle
23	3-8664	3	Washer-Thrust
24	3257-7	1	Key-Woodruff
25	106-4572	1	Gear-Axle, 44 Tooth
26	3290-343	2	Pin-Hair

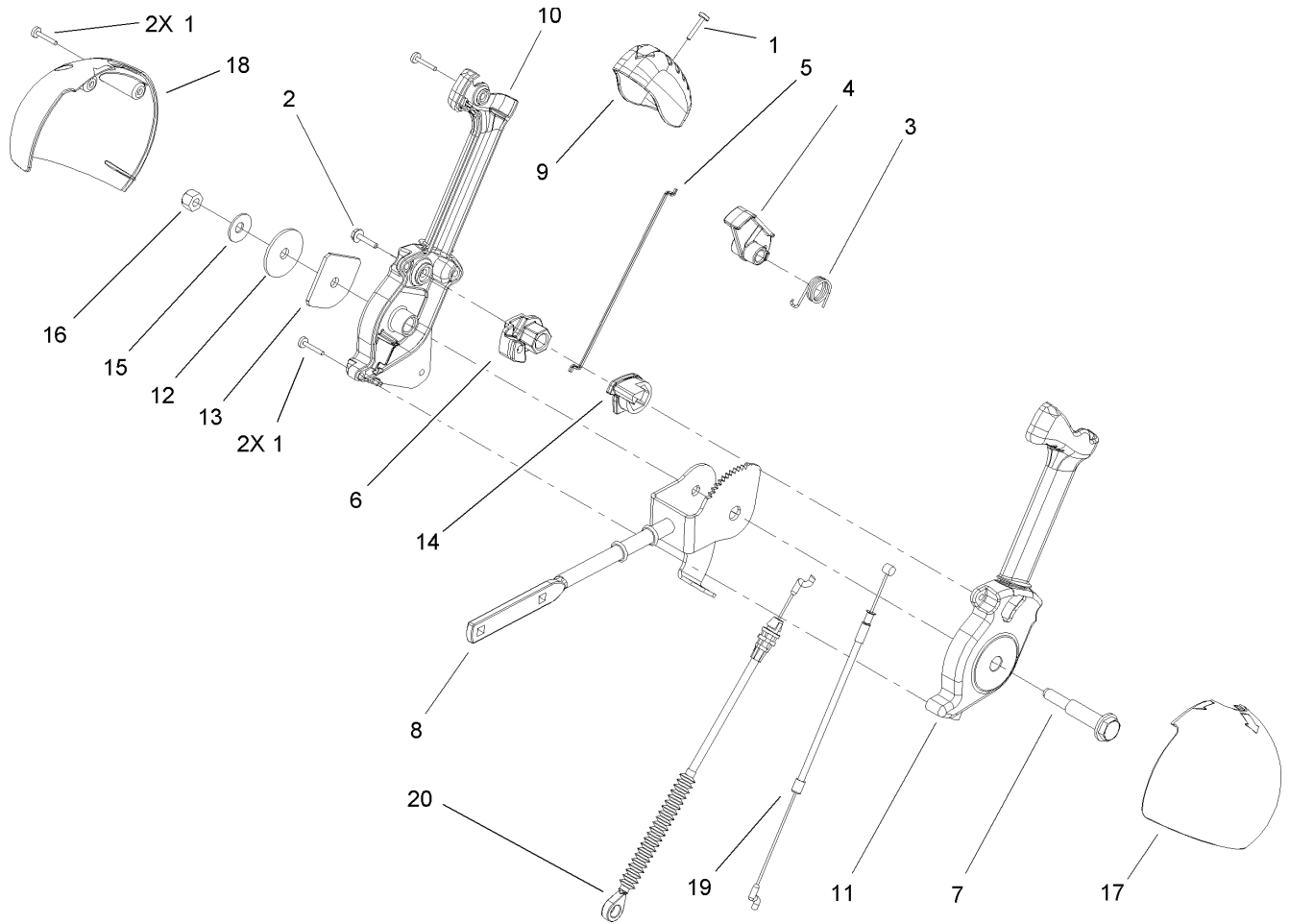
Ref	Part No.	Qty.	Description
27	106-4558	2	Bearing-Axle



Frame Assembly

Ref	Part No.	Qty.	Description
1	323-8	2	Screw-HH
2	92-7104	1	Pulley-Idler
3	107-1047	1	Nut
4	107-1039	1	Bracket-Idler, Impeller
5	3296-42	3	Nut-Lock, NI
6	3290-456	1	Washer-Belleville
7	3296-59	2	Nut-Lock, NI
8	322-3	1	Screw-HH
9	107-3838-03	1	Impeller Clutch ASM
10	106-7341	1	Bracket-Rear, Clutch
11	99-6810	2	Screw-HH
12	107-1022	1	Bolt-Shoulder
13	108-0011	1	Arm-Idler, Traction
14	3-4244	1	Pulley-Idler
15	108-0010	1	Spring-Torsion
16	107-1013	2	Nut-Speed, U-Type
17	3234-7	2	Screw-HHF
18	107-1045	1	Spring-Extension
19	107-1003	1	Spring-Extension
20	3296-76	1	Nut-Lock, NI
21	5-4460	2	Washer-Pivot
22	106-4556-01	1	Cover-Upper
23	32144-10	17	Screw-HWH
24	108-0036	1	Bracket-Rod, Shift

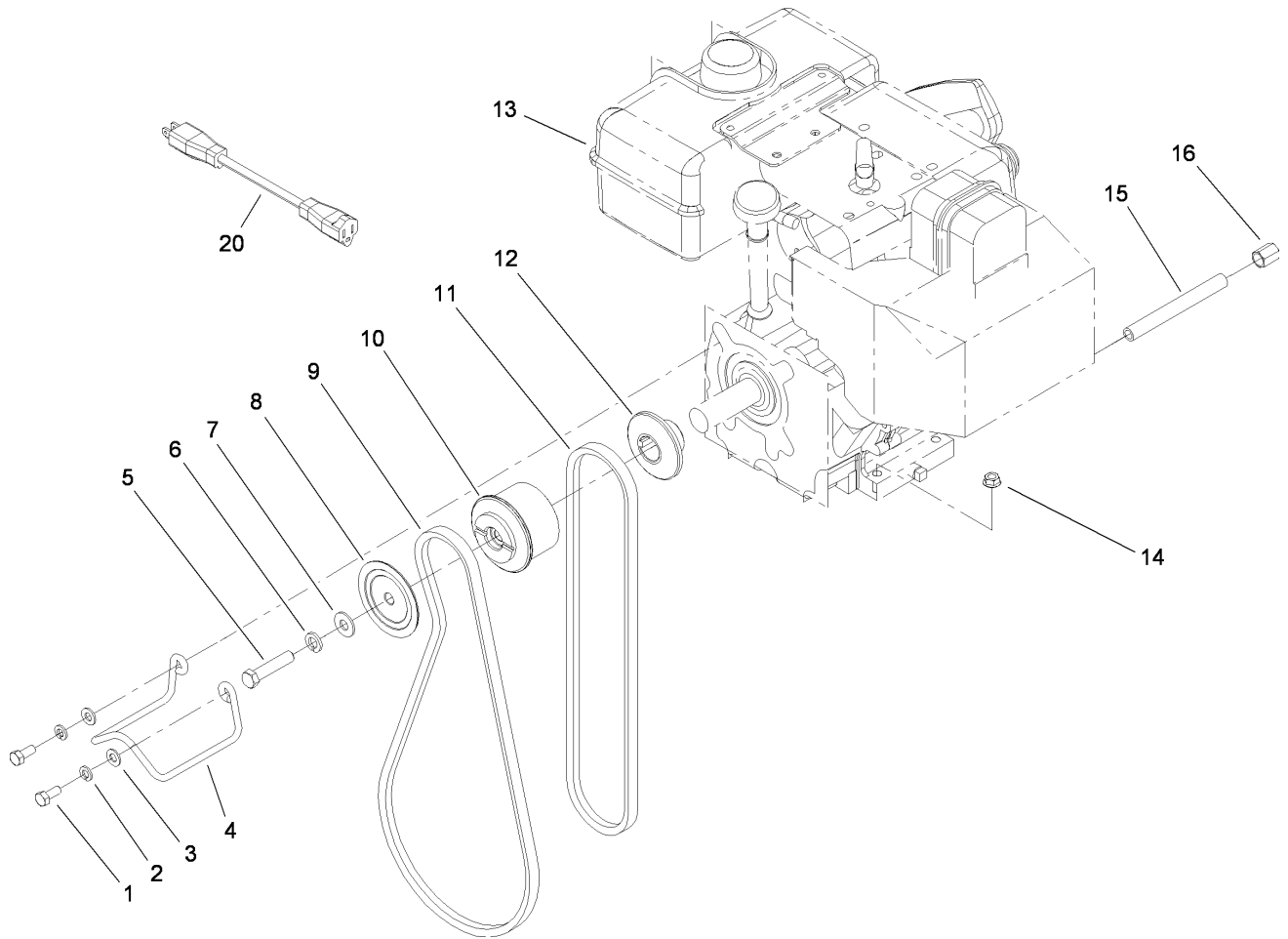
Ref	Part No.	Qty.	Description
25	106-7268	1	Lever-Control, Traction
26	108-0026-01	1	Shift Plate ASM
27	106-7345-01	1	Cover-Lower
28	25-5640	1	Washer
29	27-0410	1	Screw-Shoulder
30	3272-4	1	Pin-Cotter
31	3256-23	1	Washer-Flat
32	107-1011	1	Bellcrank-Drive
33	106-4467	1	Link-Control, Speed
34	3290-307	1	Pin-Hair
35	32151-61	2	Ring-Retaining
36	256-257	2	Bushing-Nyliner
37	106-7330-01	1	Pan-Bottom
38	106-7315	1	Brace Frame ASM
39	107069	8	Clip
40	108-0031	1	Traction Pulley ASM
41	108-7307	1	Friction Wheel Bracket ASM
42	3290-340	1	Washer-Belleville
43	3296-5	1	Nut-Lock
44	108-0019-01	1	Traction Frame ASM
45	66-8060	1	Pad-Brake
46	107-1000	1	Arm-Brake
47	92-9698	1	Screw-Shoulder
48	32144-14	4	Screw-HWHTF



Chute Control Assembly

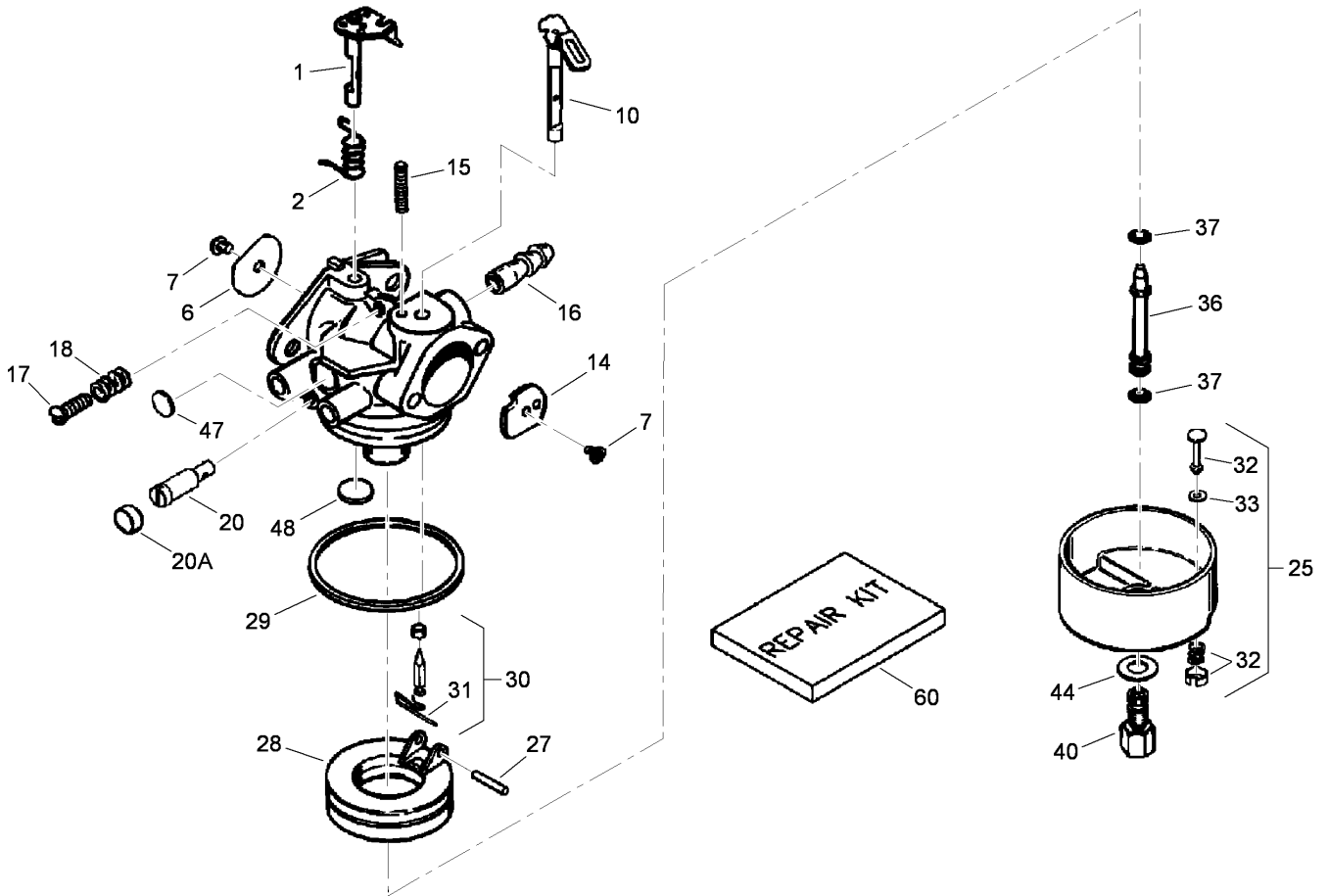
Ref	Part No.	Qty.	Description
1	94-4496	5	Screw-PPH
2	98-1375	1	Screw-HWH
3	105-9982	1	Spring-Torsion
4	105-9984	1	Trigger-Latch
5	105-9985	1	Link-Latch
6	105-9988	1	Lever-Cable, Deflector
7	105-9995	1	Screw-Shoulder
8	106-4479	1	Rod-Control, Chute
9	106-7280	1	Cap-Lever
10	106-7281	1	Lever-Chute Control, RH
11	106-7282	1	Lever-Chute Control, LH
12	107-3002	1	Washer-Nylon
13	106-7295	1	Plate-Friction
14	106-7310	1	Pawl-Latch
15	3290-456	1	Washer-Belleville
16	3296-29	1	Nut-Lock, NI
17	105-9986	1	Cover-Chute Lever, LH
18	106-7292	1	Cover-Chute Lever, RH
19	105-9989	1	Cable-Release, Chute
20	105-9990	1	Cable-Control, Deflector

--	--	--	--



Engine Assembly

Ref	Part No.	Qty.	Description
1	3210-3	2	Screw-HH
2	3253-4	2	Washer-Lock
3	3256-23	2	Washer-Flat
4	107-3835	1	Guide-Belt
5	3212-8	1	Screw-HH
6	3253-6	1	Washer-Lock
7	3256-4	1	Washer-Flat
8	62-0940	1	Sheave-Half, Impeller
9	106-4498	1	Belt-V
10	106-7333	1	Pulley-Engine, Center
11	94-8812	1	V Belt-Traction
12	106-7334	1	Sheave-Half, Traction
13		1	Engine-Tecumseh, LH318Sa-156562H
14	32128-20	4	Nut-HF
15	289-34	1	Nipple-Pipe
16	288-2	1	Cap-Pipe
20	99-9300	1	Cord-Extension



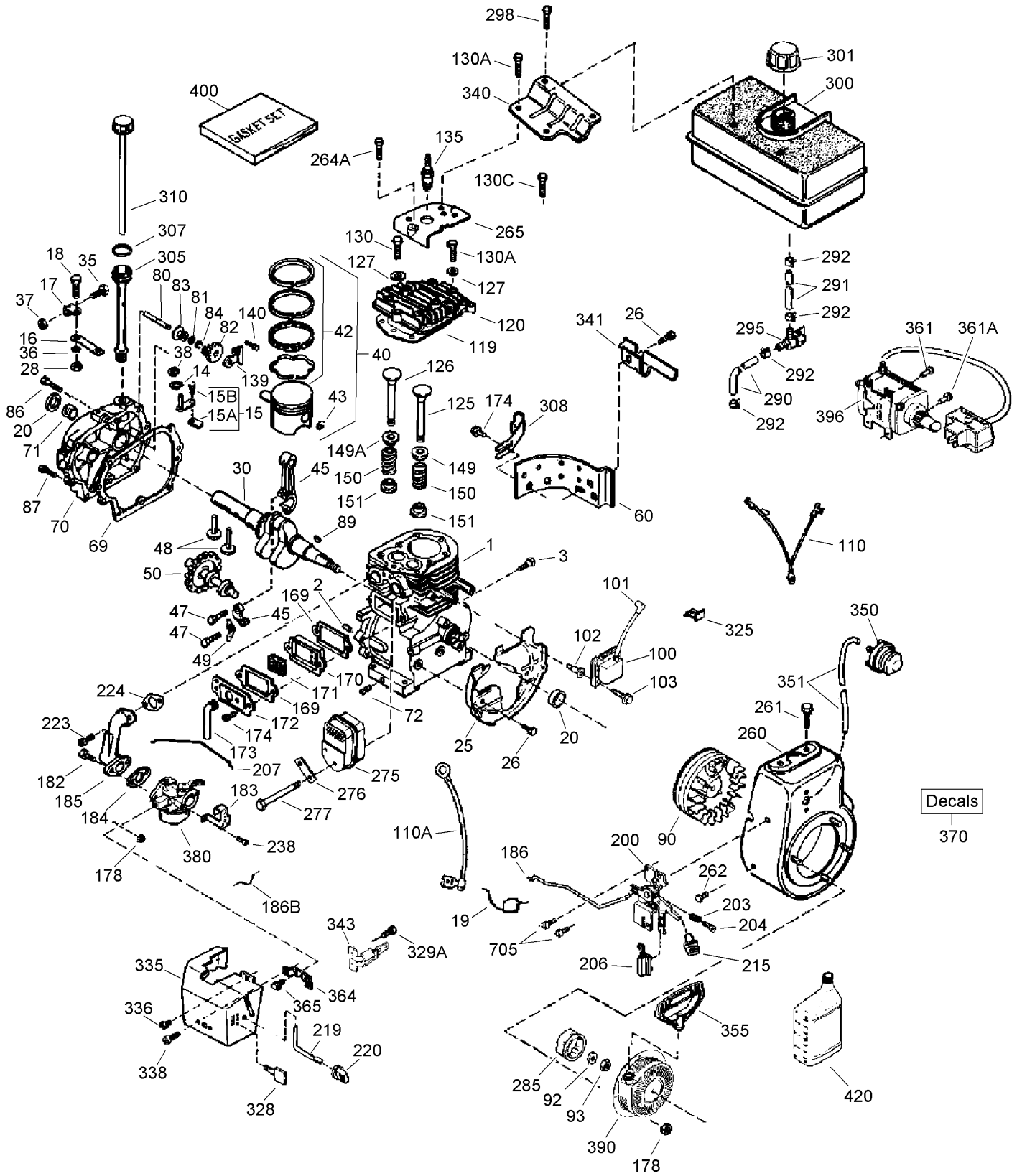
Carburetor Assembly No. 640349 Tecumseh LH318SA-156562H

Ref	Part No.	Qty.	Description
③0	640349	1	Carburetor (Includes Part No. 33263)
③1	631776A	1	Throttle Shaft And Lever ASM
③2	631970	1	Spring-Return, Throttle
③6	640109	1	Shutter-Throttle
③7	650506	2	Screw-Shutter
③10	632112	1	Choke Shaft And Lever ASM
③④14	632174	1	Shutter-Choke
③15	630735	1	Spring-Positioning, Choke
③16	632164	1	Fitting-Fuel
③17	651025	1	Screw-Throttle Crack And Idle Speed
③18	630766	1	Spring-Tension
③20	640027	1	Screw-Restrictor, Idle
③20A	640200	1	Cap-Screw, Restrictor Idle
③25	631951	1	Float Bowl ASM (Includes 32 And 33)
③④27	631024	1	Shaft-Float
③28	632802	1	Float (Plastic)
③④29	631028	1	O Ring-Bowl, Float
③④30	631021A	1	Inlet Needle, Seat And Clip (Includes 31)
③31	631022	1	Clip-Spring
③32	27136A	1	Bowl Drain ASM
③④33	27554	1	Gasket-Plunger, Drain

Ref	Part No.	Qty.	Description
③36	640113	1	Tube-Nozzle
③④37	632547	2	O-Ring
③40	640128	1	Nut-Bowl, High Speed
③44	27110	1	Washer-Bowl Nut
③④47	630748	1	Plug-Welch, Idle Mixture Well
③④48	631027	1	Plug-Welch, Atmospheric Vent
③60	632760B	1	Carburetor Repair Kit

Engine Assembly No. 1

Tecumseh LH318SA-156562H



Engine Assembly No. 1

Tecumseh LH318SA-156562H

Ref	Part No.	Qty.	Description	Ref	Part No.	Qty.	Description
③1	35385	1	Cylinder ASM (Includes 2, 20, 72, 72A) (3-1/8 Bore)	③102	651024	2	Stud-Mounting, Solid State
③2	27652	2	Pin-Dowel	③103	651007	2	Screw (T-15, 10-24 X 15/16)
③3	650820	2	Screw (1/4-20X1/2)	③110	35187	1	Wire-Ground
③14	28277	1	Washer-Flat	③110A	37047	1	Wire-Ground
③15	30699C	1	Rod-Governor (Includes 15A, 15B)	③③119	36448	1	Gasket-Head, Cylinder
③15A	30700	1	Yoke-Governor	③120	36449	1	Head-Cylinder
③15B	650494	1	Screw (6-40X5/16)	③125	27878A	1	Valve-Exhaust (STD.)(Includes 151)
③16	33454A	1	Lever-Governor	③125	27880A	1	Valve-Exhaust (1/32 Os) (Includes 151)
③17	29916	1	Clamp-Lever, Governor	③126	34035	1	Valve-Intake (STD) (Includes 151)
③18	651028	1	Screw (T-15, 8-32X7/16)	③127	650691	2	Washer-Flat
③19	34663	1	Spring-Throttle	③130	6021A	7	Screw (5/16-18X1-1/2)
③20	35319	2	Seal-Oil	③130A	650727	2	Screw (5/16-18X1-25/32)
③25	37853	1	Baffle-Housing, Blower	③130C	651055	2	Screw (5/16-18X39/64)
③26	650561	3	Screw (1/4-20X19/32)	③135	35395	1	Spark Plug-Resistor (R J19 L M) (Also Available In Packaged Part #740081)
③28	30322	1	Nut-Lock (8-32)	③139	33369	1	Bracket-Gear, Governor
③30	35571A	1	Crankshaft	③140	650836	2	Screw (10-24X1/2)
③35	29826	1	Screw (10-32X3/4)	③149	27882	1	Cap-Spring, Valve
③36	29918	1	Washer-Lock (8)	③149A	35862	1	Cap-Spring, Valve
③37	29216	1	Nut-Lock (10-32)	③150	27881	2	Spring-Valve
③38	29642	1	Ring-Retaining	③151	32581	2	Keeper-Spring, Valve
③40	40011	1	Piston-Pin And Ring Set (STD)	③③169	27896A	2	Gasket-Cover, Valve
③40	40012	1	Piston- Pin And Ring Set (.010 O S)	③170	28423	1	Body-Breather
③42	40013	1	Ring Set (STD)	③171	28424	1	Element-Breather
③42	40014	1	Ring Set (.010 O S)				
③43	27888	2	Ring-Retaining, Piston Pin				
③45	36897	1	Connecting Rod ASM (Includes 47, 49)				
③47	651033	2	Bolt-Rod, Connecting				
③48	34034	2	Lifter-Valve				
③49	36896	1	Dipper-Oil				
③50	35375	1	Camshaft (Mcr)				
③60	33273A	1	Extension-Housing, Blower				
③③69	37342	1	Gasket-Cover, Cylinder				
③70	37847	1	Cylinder Cover (Includes 71, 75, 80-84)				
③71	35377	1	Bushing-Crankshaft				
③72	27642	1	Plug-Drain, Oil (SQH 1/4-18)				
③80	37587	1	Shaft-Governor				
③81	651080	1	Washer				
③82	37588	1	Governor Gear ASM (Includes 81)				
③83	30588A	1	Spool-Governor				
③84	29193	1	Ring-Retaining				
③86	650833	7	Screw (1/4-20X1-3/16)				
③87	650832	1	Screw (1/4-20X1-11/16)				
③89	32589	1	Key-Flywheel				
③90	611091	1	Flywheel (W/Ring Gear)				
③92	650880	1	Washer-Belleville				
③93	650881	1	Nut-Flywheel				
③100	35135A	1	Ignition-Solid State (Includes 101)				
③101	610118	1	Cover-Spark Plug				

Engine Assembly No. 2

Tecumseh LH318SA-156562H

Ref	Part No.	Qty.	Description	Ref	Part No.	Qty.	Description
172	28425	1	Cover-Valve	341	34155	1	Bracket-Tank, Fuel
173	35350	1	Tube-Breather	343	35079A	1	Bracket-Switch, Key (Includes 343A)
174	650128	3	Screw (10-24X1/2)	350	570682A	1	Primer ASM (Also Available In Packaged Part #740101)
178	29752	6	Nut And Lock Washer (1/4-28)	351	32180C	1	Line-Primer
182	30088A	2	Screw (1/4-28X1)	355	590574	1	Handle-Starter, Mitten Grip (Also Available In Packaged Part #740053B)
183	34587A	1	Bracket-Choke	361	650990	2	Screw (T-30, 1/4-20X15/32)
184	33263	1	Gasket-Carburetor To Intake Pipe	361A	650819	1	Screw (6-32X2-1/2)
185	33877	1	Pipe-Intake	364	37659	1	Bracket-Cover, Carburetor
186	34667	1	Link-Governor	365	650767	2	Screw (8-32X27/64)
186B	36652	1	Spring-Choke	370	35077	1	Decal-Speed Control And Choke
200	34677	1	Bracket-Control	370	36534A	1	Instruction Decal-Caution, Read Owner Manual
203	31342	1	Spring-Compression	370	36501	1	Decal-Primer, International Symbol
204	651029	1	Screw (T-10, 5-40X7/16)	370	36695	1	Decal-Tecumseh Logo For Top Of Recoil Starter
206	610973	2	Terminal	370	37119	1	Decal-Warning (Bilingual)
207	33878	1	Link-Throttle	380	640349	1	Carburetor (Includes 184)
215	35440	1	Knob-Control	390	590749	1	Starter-Rewind (Note: This Engine Could Have Been Built With Starter 590733)
219	34586	1	Rod-Choke	396	33329D	1	Starter-Electric (110 Volt)
220	35438	1	Knob-Control	400	36450C	1	Gasket Set
223	650378	2	Screw (T-30, 5/16-18X1-3/32)	420	730226A	1	Oil-Engine, S A E 5W30
224	27915A	1	Gasket-Pipe, Intake	705	28942	2	Screw (10-32 X 3/8)
238	28820	2	Screw (10-32 X 1/2)	18	730281	1	Winter Maintenance Kit (Includes 5W30 Synthetic Oil)
260	35447A	1	Housing-Blower	18	730295	1	Winter Maintenance Kit (Includes 0W30 Synthetic Oil)
261	650788	2	Screw (5/16-18X3/4)				
262	651084	2	Screw (5/16-18X9/16)				
264A	650802	1	Screw (1/2-20X5/8)				
265	33272D	1	Cover-Head, Cylinder (Black)				
275	35056	1	Muffler				
276	31588	1	Plate-Locking				
277	651002	2	Screw (5/16-18X4-3/16)				
285	35985C	1	Cup-Starter				
290	29774	1	Line-Fuel (8.62)				
291	30705	1	Line-Fuel				
292	26460	4	Clamp-Line, Fuel				
295	35857	1	Valve-Shut-Off, Fuel (Includes 292) (Also Available In Packaged Part #740073)				
298	650665	2	Screw (1/4-15X7/8)				
300	34156A	1	Tank-Fuel (Includes 292, 301)				
301	37844	1	Cap-Fuel (Black) (1-1/2 Id) (Also Available In Packaged Part #740041B)				
305	36877	1	Tube-Fill, Oil				
307	35499	1	O-Ring				
308	35539	1	Clip-Tube, Fill				
310	37869	1	Dipstick				
325	29443	1	Clip-Wire				
328	35062	2	Key-Ignition (Also Available In Packaged Part #740077)				
329A	651060	1	Screw (8-32 X 23/64)				
335	36547	1	Cover-Carburetor (Black)				
336	650765	1	Screw (10-32X1/2)				
338	650821	2	Screw (10-32 X 1/2)				
340	34154	1	Bracket-Tank, Fuel (Black)				

Attachments and Accessories

For 38620 - Power Max 826LE Snowthrower

Product Name	Model/Part
Tire Chain Kit	107-3813
Snow Cab	107-3814
Weight Kit	107-3815
26 Inch Drift Breaker	107-3816

NOTES

NOTES

