



11280XE Power Max Snowthrower

Model No. 38650 - 250000001 and up.

Parts Catalog

Ordering Replacement Parts

To order replacement parts, please supply the part number, the quantity, and the description of each part desired.

Understanding Reference Numbers

Each identified part in an illustration has a reference number. The reference number for a part also appears in the parts list, along with other information about the part.

This catalog uses two special reference number formats, one to indicate parts in a service assembly and another to indicate the quantity of a given part in an illustration.

Service Assembly Reference Numbers

Parts in service assemblies have reference numbers in the form a:b. The a represents the reference number of the entire service assembly and the b represents a sequential number unique to each part within the service assembly.

For example, a wheel assembly might be identified by reference number 6, the tire by 6:1, the valve by 6:2, and the wheel by 6:3. When you order the assembly identified by reference number 6, you receive all parts identified by reference numbers 6:1, 6:2, and 6:3. However, you may also order any part individually. Reference numbers of this type appear in illustrations and in part lists.

Reference Numbers Indicating Quantity

In an illustration, if a reference number indicates more than one part, the reference number has the form nX y. The n represents the quantity of the part, the X is the multiplication symbol, and the y represents the reference number.

For example, in an illustration, the reference number 2X 37 means that two of the parts identified by reference number 37 are indicated.

Contents

Description	Page	Description	Page
Auger and Housing Assembly 3	Engine Assembly No. 1 Tecumseh OHSK110-221734D 14
28 Inch Auger Gearcase Assembly No. 106-7254 4	Engine Assembly No. 2 Tecumseh OHSK110-221734D 16
Chute Assembly 5	Carburetor Assembly No. 640169 Tecumseh OHSK110-221734D 18
Frame Assembly 6	Electric Starter No. 33329E (110 Volt) Tecumseh OHSK110-221734D 19
Handle Control Assembly 8	Rewind Starter No. 590749 Tecumseh OHSK110-221734D 20
Handle and Control Assembly 9	Recoil Starter No. 590733 (Optional) Tecumseh OHSK110-221734D 21
Chute Control Assembly 10	Attachments and Accessories List 22
Engine Assembly 11		
Wheel Clutch Assembly 12		
Wheel Clutch Sprocket Assembly 13		

Part Description Abbreviations

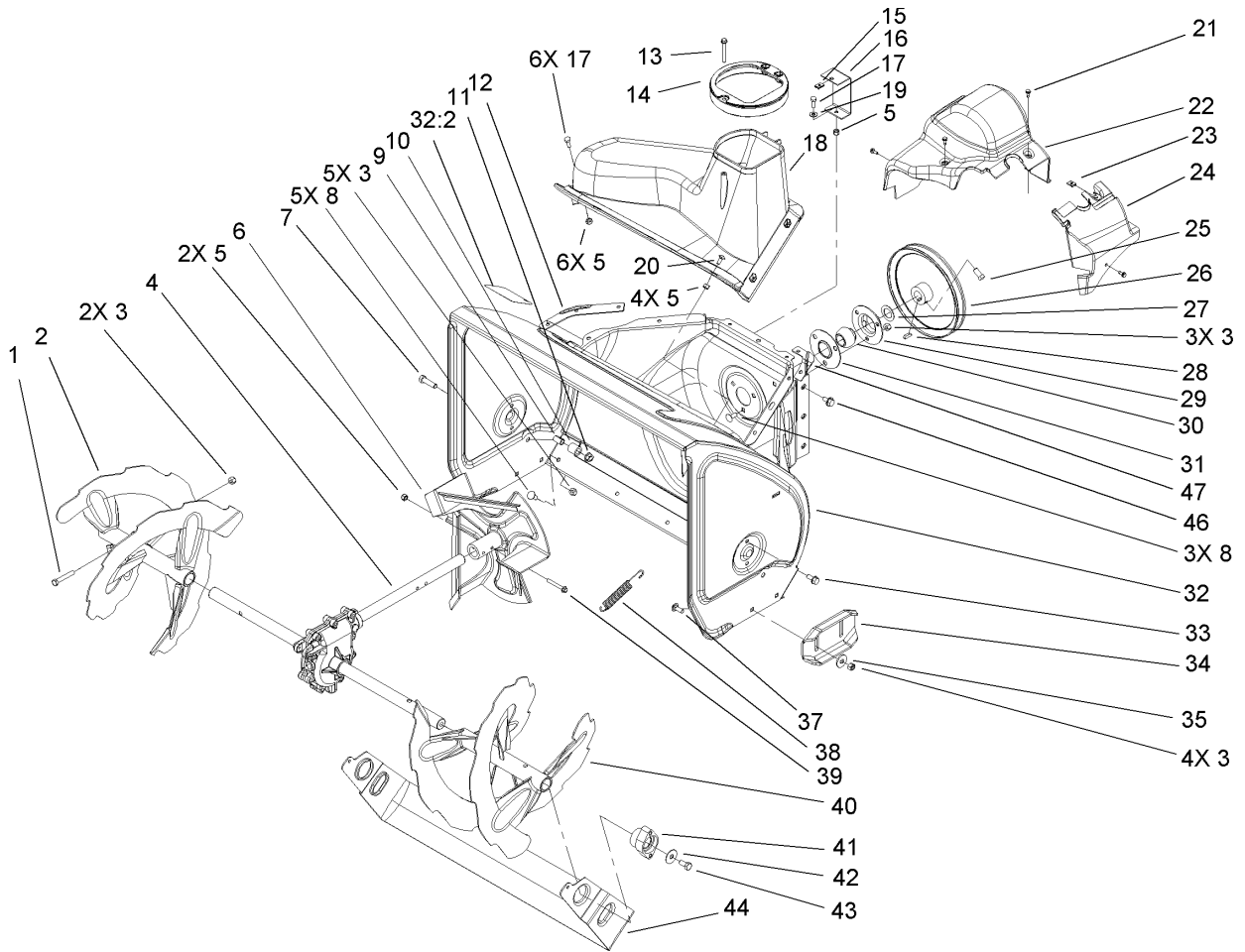
Part descriptions in this catalog may include the following abbreviations.

AR. as required	HYD. hydraulic
ASM. assembly	LH. left hand
BBC. blade brake clutch	NI. nylon insert
CARR. carriage	NPTF. national pipe thread fine
DEG. degrees	PFH. phillips flat head
EXT. external	PPH. phillips pan head
FH. flat head	PPHTF. phillips pan head thread forming
GA. gauge	PRH. phillips round head
HD. heavy-duty	PTH. phillips truss head
HF. hex flange	PTO. power-take-off
HH. hex head	RH. right hand
HHF. hex head flange	ROPS. roll-over protection system
HHFTF. hex head flange thread forming	SFH. slotted fillister head
HJ. hex jam	SHH. slotted hex head
HLH. hex lag head	SHWH. slotted hex washer head
HOC. height-of-cut	SPH. slotted pan head
HSBH. hex socket button head	SQH. square head
HSFH. hex socket flat head	SRH. slotted round head
HSH. hex socket head	STD. standard
HWH. hex washer head	TAP. self tapping
HWHTF. hex washer head thread forming	TTH. torx truss head

Footnotes

- ❶ Not illustrated
- ❷ Obtain from your local Tecumseh dealer

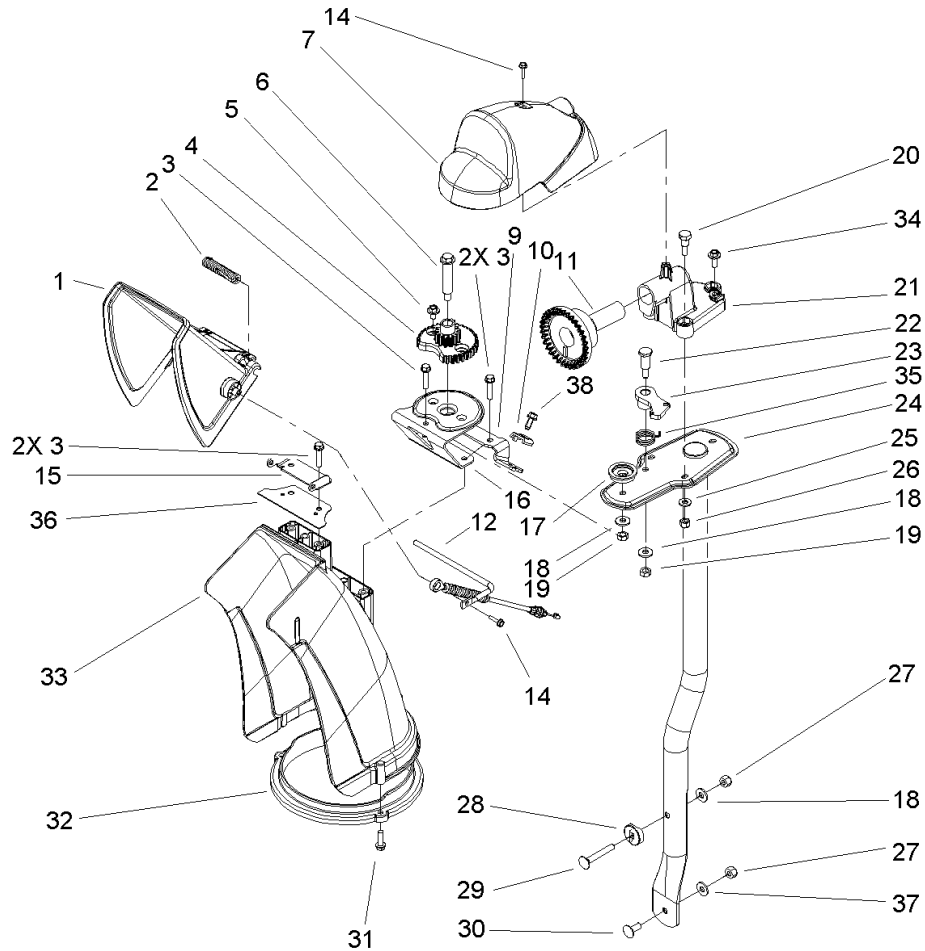
- ❸ Not serviced separately



Auger and Housing Assembly

Ref	Part No.	Qty.	Description
1	322-10	2	Screw-HH
2	106-7291-03	1	Auger-RH
3	3296-29	14	Nut-Lock, NI
4	106-7254	1	Auger Gearcase ASM
5	3296-42	13	Nut-Lock, NI
6	106-4576-03	1	Impeller ASM
7	323-29	2	Screw-HH
8	3230-23	8	Screw-CARR
9	106-4501	2	Spacer-Scraper, Stop
10	106-7318	2	Cushion-Scraper, Stop
11	32128-21	2	Nut-HF
12	107-1017-03	1	Seal-Flange, Cover
13	107-3003	1	Screw-Plastite
14	107-3006	1	Guide-Chute
15	107-1013	1	Nut-Speed, U-Type
16	107-1014-03	1	Bracket-Cover, Clip Nut
17	321-4	7	Screw-HH
18	108-0017	1	Cover
19	3256-22	1	Washer-Flat
20	3229-1	4	Screw-CARR
21	32144-112	4	Screw-HWH
22	107-1001	1	Cover-Belt
23	701493	1	Nut-Speed
24	107-1016	1	Cover-Extension, Belt

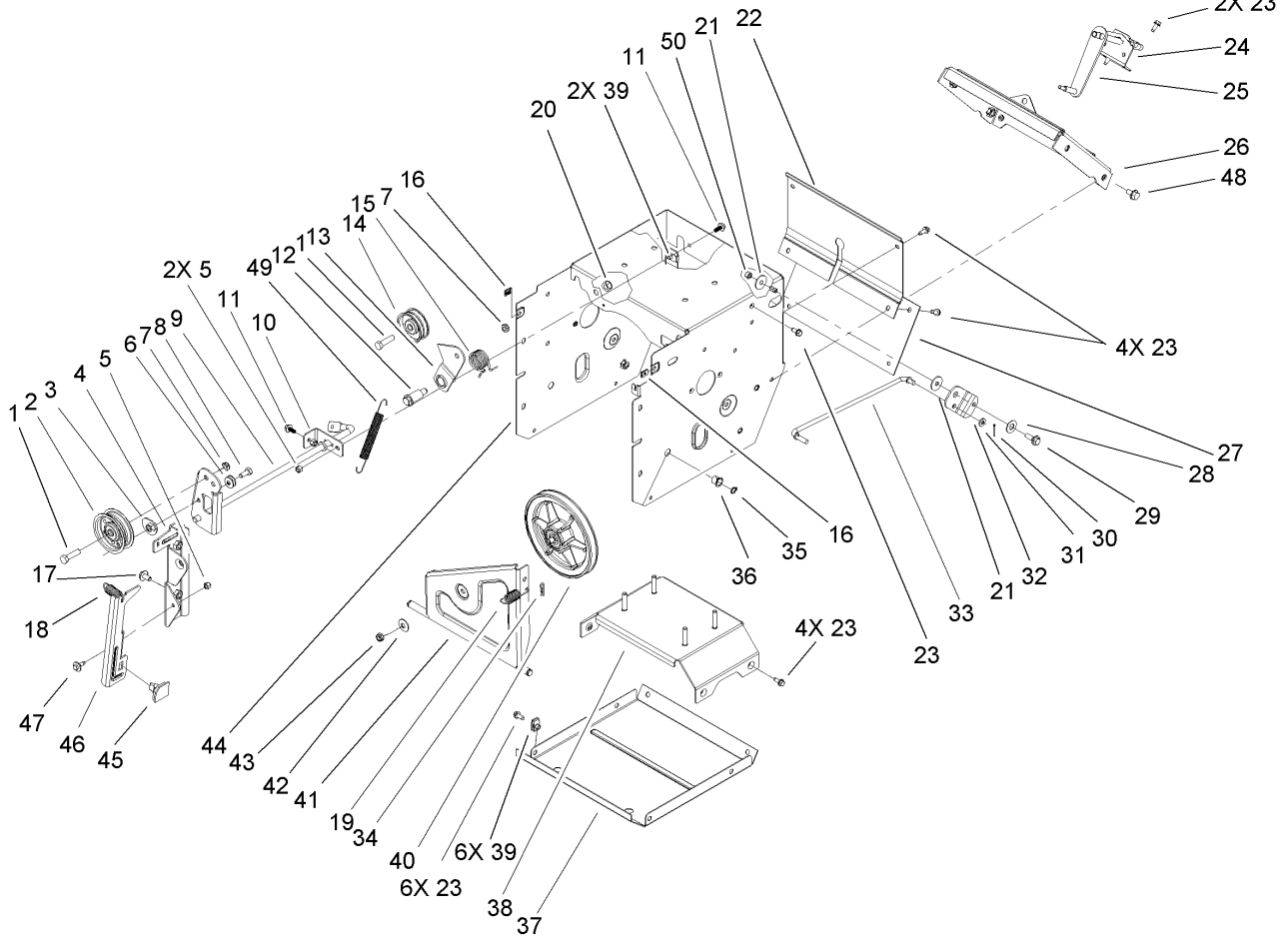
Ref	Part No.	Qty.	Description
25	3242-4	2	Screw-Set, SQH
26	62-1300	1	Pulley-Impeller
27	252-80	1	Washer-Thrust
28	3257-23	1	Key-Woodruff
29	26-6110	1	Flange-Cup, Bearing
30	63-3450	1	Bearing-Ball
31	26-6120	1	Flange-Cup, Bearing
32	107-3823	1	Housing-Auger, 28 Inch
32:2	53-7670	1	Decal-Warning, Auger
33	32144-70	4	Screw-HWHTF
34	106-4588-01	2	Skid
35	52-2861	4	Washer
37	3230-16	4	Screw-CARR
38	106-4502	2	Spring-Scraper
39	321-44	2	Screw-HHF
40	106-7301-03	1	LH Auger ASM
41	106-4570	2	Auger-Bearing
42	3-0750	2	Washer
43	323-4	2	Screw-HH
44	106-4590-01	1	Scraper-28 Inch, Pivoting
46	32144-14	6	Screw-HWHTF
47	108-0039-03	1	Seal



Chute Assembly

Ref	Part No.	Qty.	Description
1	106-4587	1	Deflector-Chute
2	106-4594	1	Spring-Torsion
3	46-8092	5	Screw-Plastite
4	106-4472	1	Gear-Chute
5	46-6810	2	Screw And Washer ASM
6	100-9880	1	Bolt-Shoulder
7	106-4585	1	Cover-Gear, Chute
9	106-7296	1	Bracket-Cable, Clamp
10	106-7297	1	Clamp-Cable
11	106-4471	1	Gear-Face
12	107-1021	1	Rod-Deflector
14	98-1375	2	Screw-HWH
15	106-7266	1	Bracket-Deflector
16	106-4582-03	1	Bracket-Support, Chute
17	106-4422	1	Spacer-Chute
18	3256-2	3	Washer-Flat
19	3296-47	2	Nut-Lock, NI
20	106-7276	3	Screw-Shoulder
21	106-7257	1	Mount-Gear, Face
22	63-2650	1	Screw-Shoulder
23	106-4476	1	Latch-Chute
24	106-7253-03	1	Tube-Support
25	3256-22	3	Washer-Flat
26	3296-42	3	Nut-Lock, NI

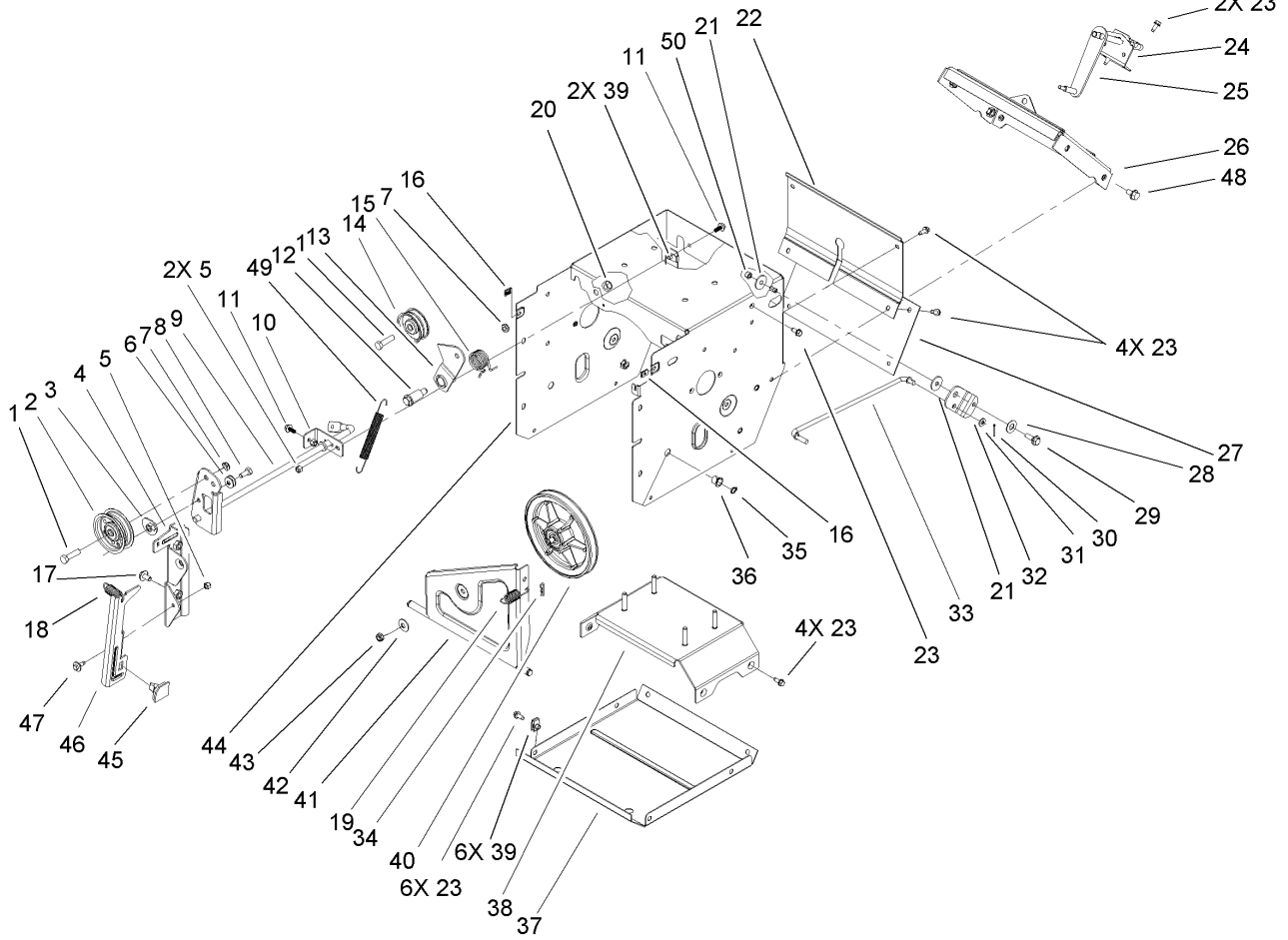
Ref	Part No.	Qty.	Description
27	3296-29	2	Nut-Lock, NI
28	106-7260	1	Washer-Curved
29	3230-5	1	Screw-CARR
30	3230-23	1	Screw-CARR
31	46-8091	3	Screw-HWH
32	105-9991	1	Ring-Chute
33	106-4440	1	Chute-Discharge
34	46-6811	1	Screw-HWH
35	106-4475	1	Spring-Torsion
36	107-1019	1	Seal-Chute
37	3290-456	1	Washer-Belleville
38	32144-10	1	Screw-HWH



Frame Assembly

Ref	Part No.	Qty.	Description
1	323-8	2	Screw-HH
2	92-7104	1	Pulley-Idler
3	107-1047	1	Nut
4	107-1039	1	Bracket-Idler, Impeller
5	3296-42	3	Nut-Lock, NI
6	3290-456	1	Washer-Belleville
7	3296-59	2	Nut-Lock, NI
8	322-3	1	Screw-HH
9	107-3838-03	1	Impeller Clutch ASM
10	106-7341	1	Bracket-Rear, Clutch
11	99-6810	2	Screw-HH
12	107-1022	1	Bolt-Shoulder
13	108-0011	1	Arm-Idler, Traction
14	3-4244	1	Pulley-Idler
15	108-0010	1	Spring-Torsion
16	107-1013	2	Nut-Speed, U-Type
17	3234-7	2	Screw-HHF
18	107-3829	1	Spring-Extension
19	107-1003	1	Spring-Extension
20	3296-76	1	Nut-Lock, NI
21	5-4460	2	Washer-Pivot
22	108-0022-01	1	Cover-Upper
23	32144-10	17	Screw-HWH
24	108-0036	1	Bracket-Rod, Shift

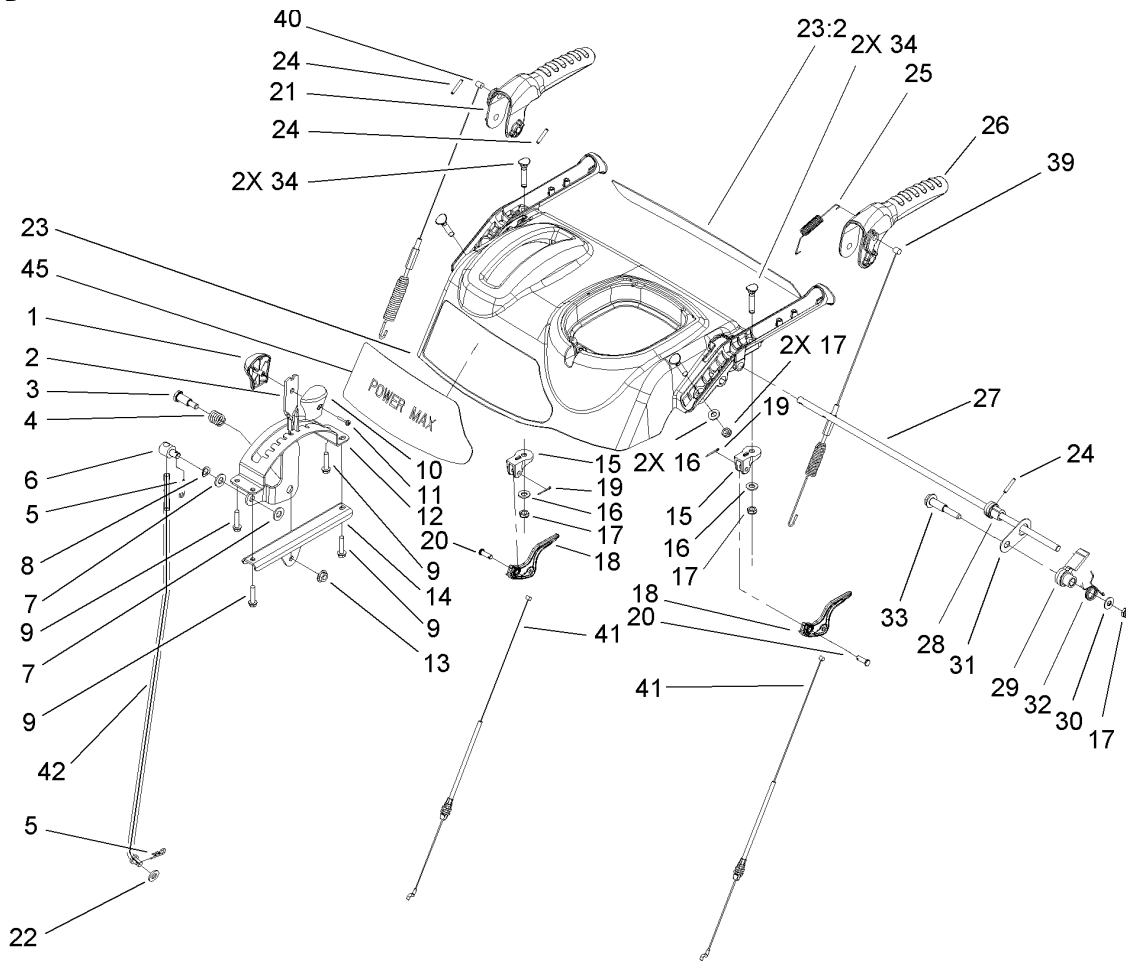
Ref	Part No.	Qty.	Description
25	106-7268	1	Lever-Control, Traction
26	108-0026-01	1	Shift Plate ASM
27	106-7345-01	1	Cover-Lower
28	25-5640	1	Washer
29	27-0410	1	Screw-Shoulder
30	3272-4	1	Pin-Cotter
31	3256-23	1	Washer-Flat
32	107-1011	1	Bellcrank-Drive
33	106-4467	1	Link-Control, Speed
34	3290-307	1	Pin-Hair
35	32151-61	2	Ring-Retaining
36	256-257	2	Bushing-Nyliner
37	106-7330-01	1	Pan-Bottom
38	106-7315	1	Brace Frame ASM
39	107069	8	Clip
40	108-0031	1	Traction Pulley ASM
41	108-0032	1	Pulley Pivot ASM
42	3290-340	1	Washer-Belleville
43	3296-5	1	Nut-Lock
44	108-0019-01	1	Traction Frame ASM
45	66-8060	1	Pad-Brake
46	107-1000	1	Arm-Brake
47	92-9698	1	Screw-Shoulder
48	32144-14	4	Screw-HWHTF



Frame Assembly (continued)

Ref	Part No.	Qty.	Description
49	108-2976	1	Spring-Extension
50	3296-29	1	Nut-Lock, NI

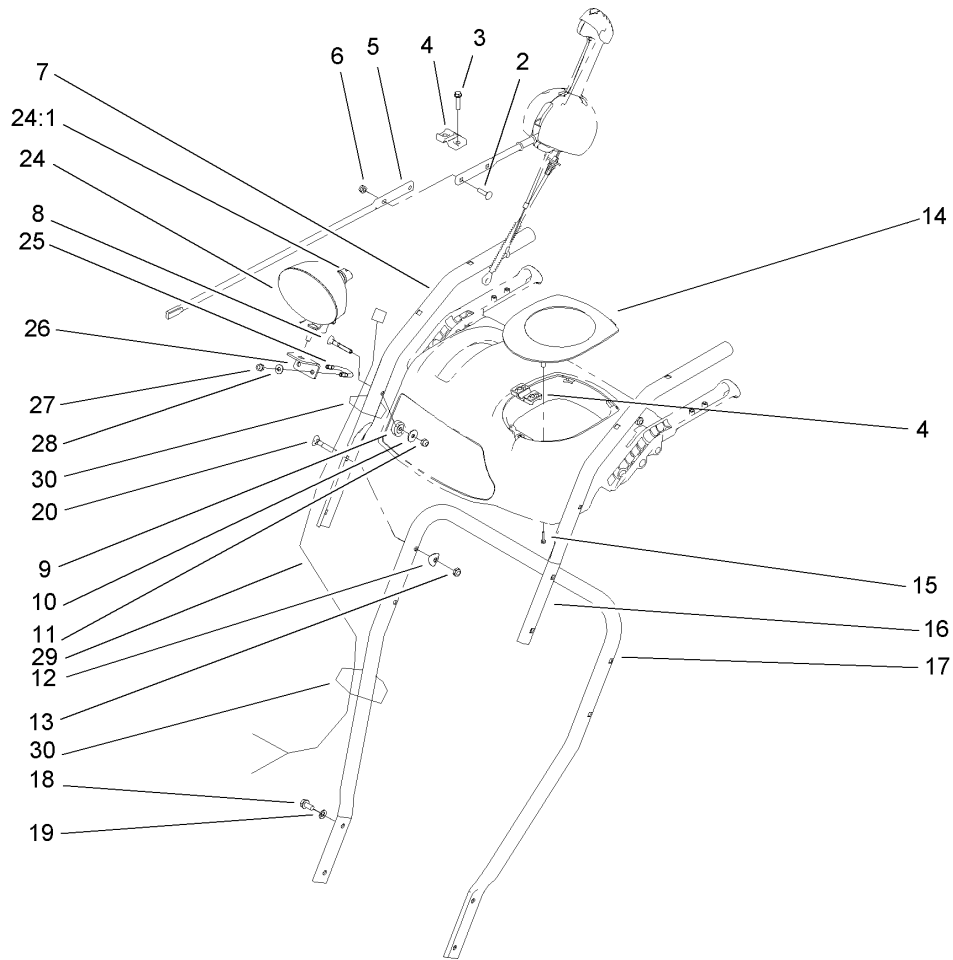
--	--	--	--



Handle Control Assembly

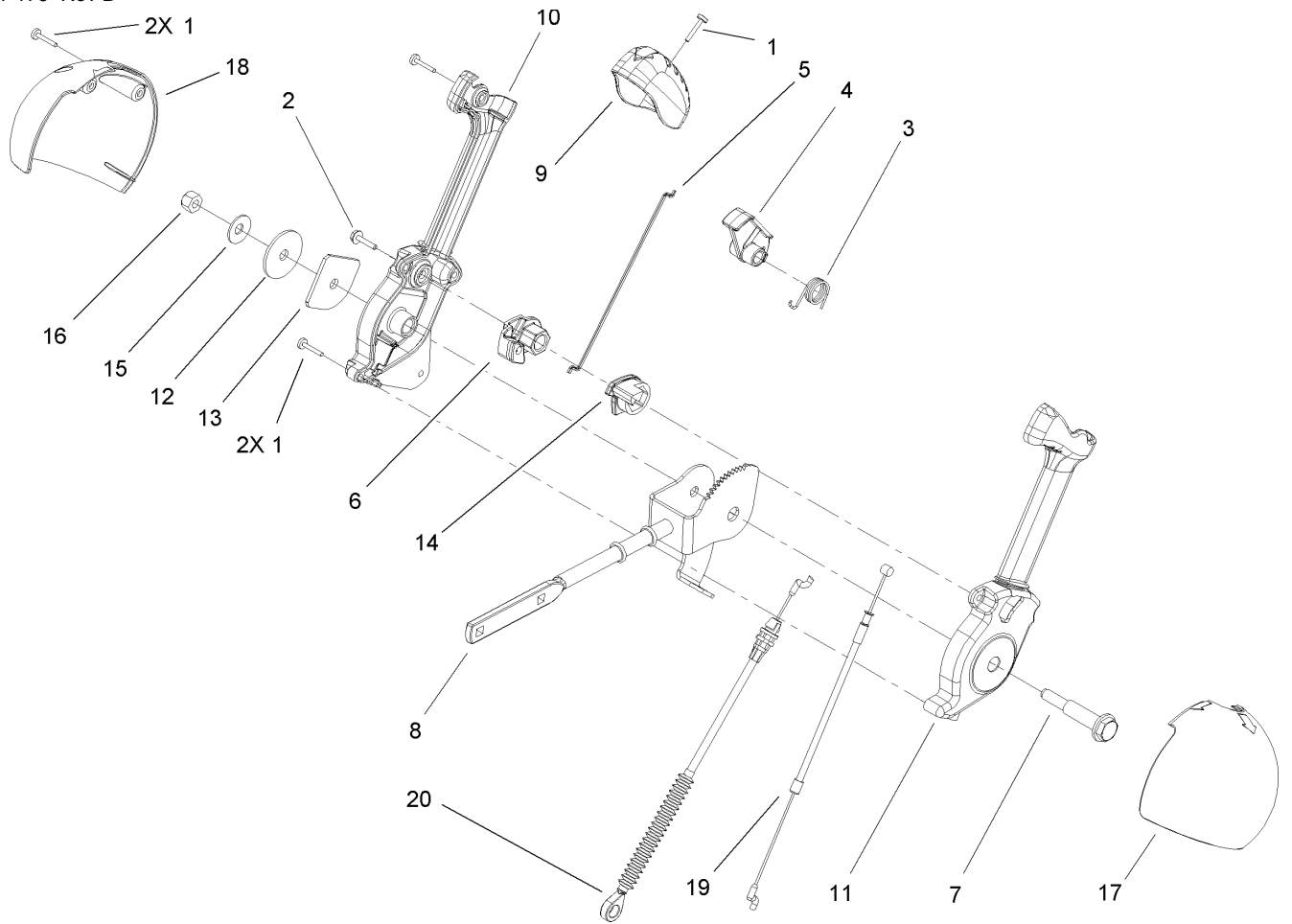
Ref	Part No.	Qty.	Description
1	106-4423	1	Knob-Shift, RH
2	106-7278-03	1	Selector-Speed
3	63-2650	1	Screw-Shoulder
4	107-3017	1	Spring-Compression
5	3290-307	2	Pin-Hair
6	101161	1	Trunnion
7	3256-24	2	Washer-Flat
8	612586	1	Washer-Spring
9	46-8092	4	Screw-Plastite
10	105-9999	1	Knob-Shift, LH
11	94-4496	1	Screw-PPH
12	106-7277-03	1	Guide-Selector, Speed
13	32128-13	1	Nut-HF
14	106-7279-03	1	Mount-Selector, Speed
15	105-9980	2	Mount-Clutch, Lever
16	3256-70	4	Washer-Flat
17	3296-72	5	Nut-Lock, NI
18	106-4505	2	Lever-Clutch
19	3272-4	2	Pin-Cotter
20	1-808265	2	Pin-Clevis
21	106-4413	1	Lever-Auger
22	3256-38	1	Washer-Flat
23	108-2969	1	Control Panel ASM
23:2	108-2967	1	Decal

Ref	Part No.	Qty.	Description
24	32121-125	3	Pin-Spring
25	107-3001	1	Spring-Tension
26	106-4410	1	Lever-Traction
27	105-9996	1	Rod-Lockout
28	107-1043	1	Cam-Lockout
29	108-0023	1	Latch-Lockout
30	98-3499	1	Washer-Flat
31	107-3000	1	Link-Lockout
32	108-0024	1	Spring-Torsion
33	106-4412	1	Screw-Shoulder
34	107-3018	4	Screw-Handle
39	106-4563	1	Cable-Traction
40	107-3830	1	Cable-Auger
41	107-8896	2	Cable-Clutch
42	107-1005	1	Rod-Shift
45	108-2962	1	Decal



Handle and Control Assembly

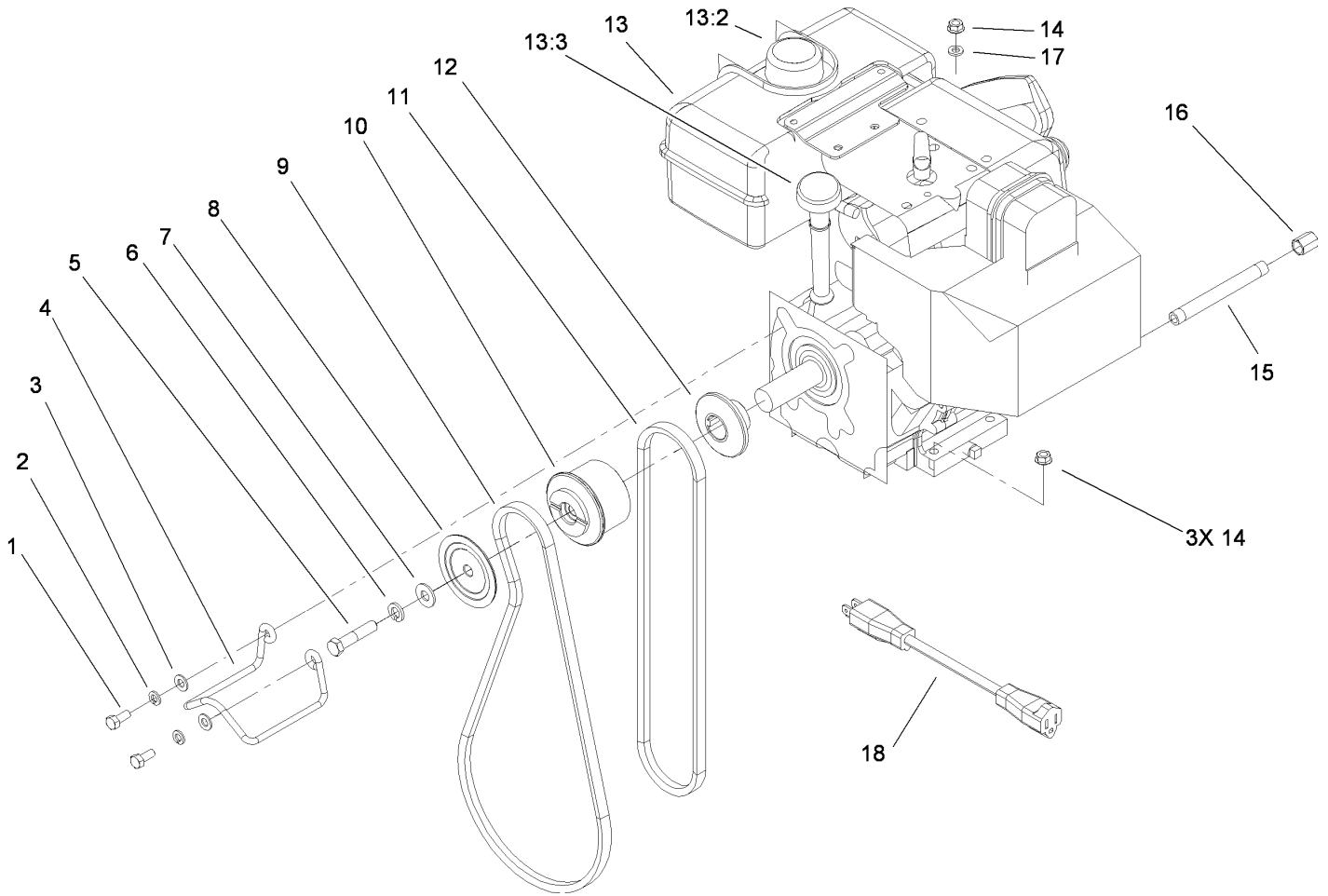
Ref	Part No.	Qty.	Description	Ref	Part No.	Qty.	Description
2	3229-30	2	Screw-CARR	28	3256-1	2	Washer-Flat
3	46-8092	2	Screw-Plastite	29	106-4511	1	Harness-Wire
4	105-9987	2	Support-Rod	30	614249	2	Strap-Tie
5	106-7283	1	Rod-Chute, Front				
6	3296-73	2	Nut-Lock, NI				
7	108-0038-03	1	Handle-Upper, RH				
8	95-4453	2	Screw				
9	106-4509	2	Clamp-Cable				
10	87-6630	2	Washer-Plain				
11	3296-73	2	Nut-Lock, NI				
12	107-3844	4	Washer				
13	3296-72	4	Nut-Lock, NI				
14	106-4586	1	Cover-Panel, Control				
15	94-4496	2	Screw-PPH				
16	108-0037-03	1	Handle-Upper, LH				
17	105-9981-03	1	Handle-Lower				
18	32144-14	4	Screw-HWHTF				
19	3290-475	4	Washer-Belleville				
20	92-2260	4	Screw-Handle				
24	106-4510	1	Headlamp ASM				
24:1	108-0008	1	Lamp-12 Volt				
25	107-3024	1	Clamp				
26	107-1020-03	1	Bracket-Light				
27	3296-73	2	Nut-Lock, NI				



Chute Control Assembly

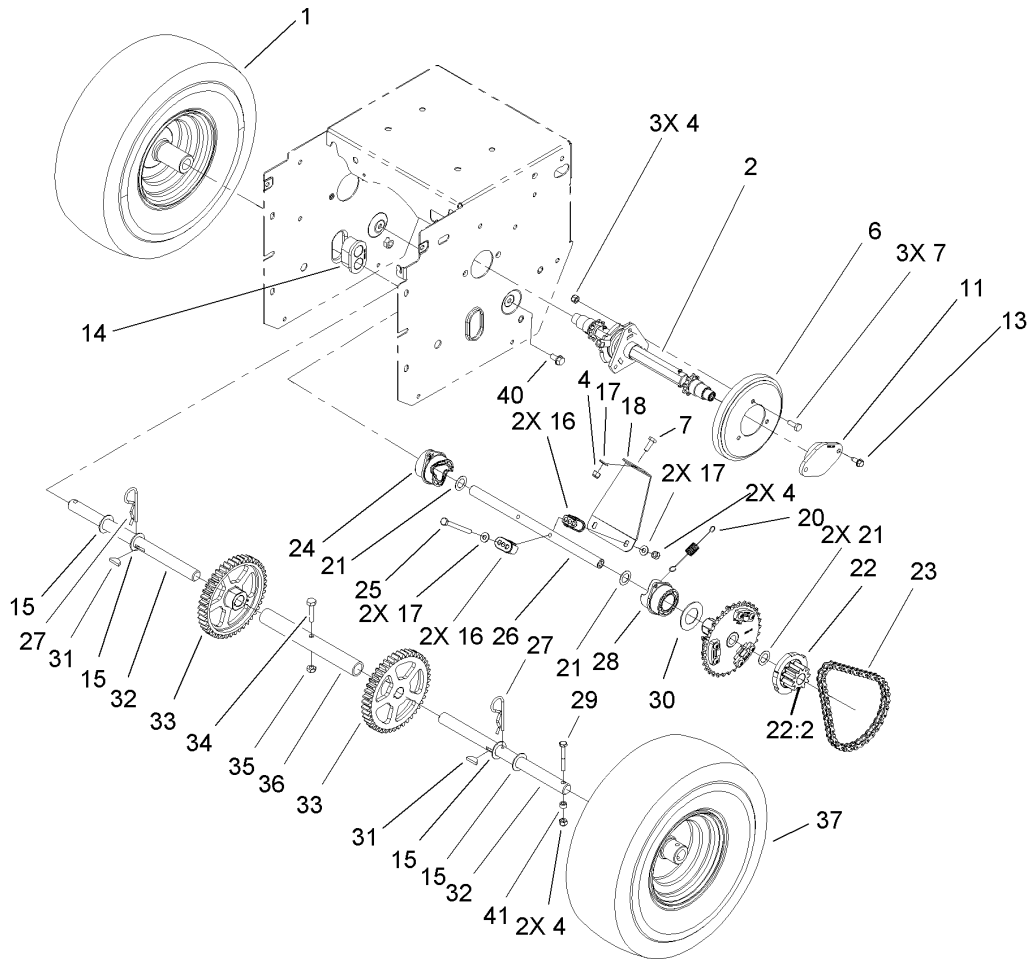
Ref	Part No.	Qty.	Description
1	94-4496	5	Screw-PPH
2	98-1375	1	Screw-HWH
3	105-9982	1	Spring-Torsion
4	105-9984	1	Trigger-Latch
5	105-9985	1	Link-Latch
6	105-9988	1	Lever-Cable, Deflector
7	105-9995	1	Screw-Shoulder
8	106-4479	1	Rod-Control, Chute
9	106-7280	1	Cap-Lever
10	106-7281	1	Lever-Chute Control, RH
11	106-7282	1	Lever-Chute Control, LH
12	107-3002	1	Washer-Nylon
13	106-7295	1	Plate-Friction
14	106-7310	1	Pawl-Latch
15	3290-456	1	Washer-Belleville
16	3296-29	1	Nut-Lock, NI
17	105-9986	1	Cover-Chute Lever, LH
18	106-7292	1	Cover-Chute Lever, RH
19	105-9989	1	Cable-Release, Chute
20	105-9990	1	Cable-Control, Deflector

--	--	--	--



Engine Assembly

Ref	Part No.	Qty.	Description
1	3210-3	2	Screw-HH
2	3253-4	2	Washer-Lock
3	3256-23	2	Washer-Flat
4	107-3835	1	Guide-Belt
5	3212-8	1	Screw-HH
6	3253-6	1	Washer-Lock
7	3256-4	1	Washer-Flat
8	62-0940	1	Sheave-Half, Impeller
9	106-4498	1	Belt-V
10	106-7333	1	Pulley-Engine, Center
11	94-8812	1	V Belt-Traction
12	106-7334	1	Sheave-Half, Traction
13		1	Engine-Tecumseh Ohsk110-221734D
13:2	108-0000	1	Cap-Fuel
13:3	108-0001	1	Dipstick (38652)
14	32128-20	4	Nut-HF
15	289-34	1	Nipple-Pipe
16	288-2	1	Cap-Pipe
17	3256-2	1	Washer-Flat
18	99-9300	1	Cord-Extension



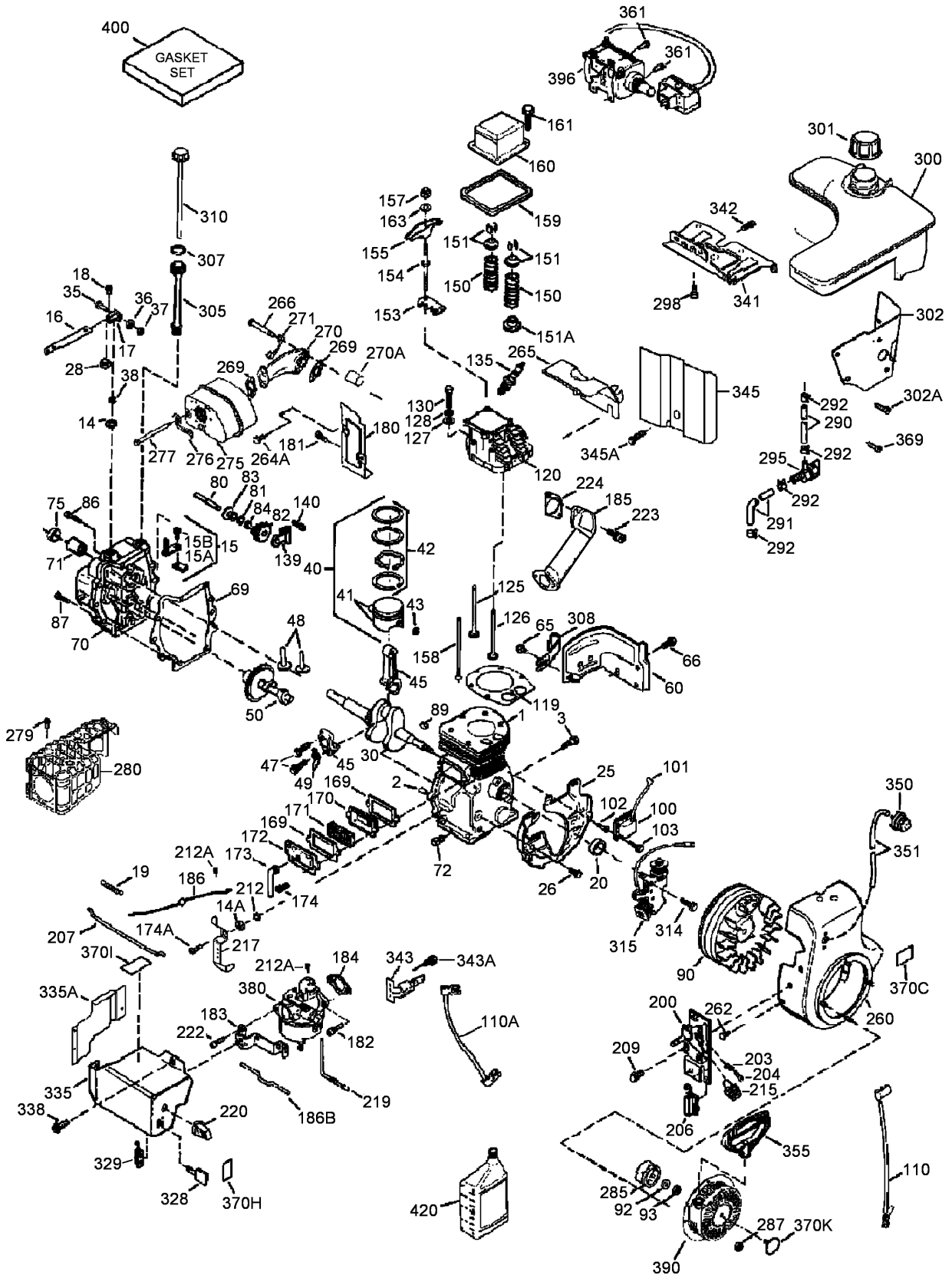
Wheel Clutch Assembly

Ref	Part No.	Qty.	Description
①		1	RH Wheel And Tire ASM
1	107-3042	1	Tire
1	107-3043	1	Rim-Tire
2	108-2989	1	Clutch Hexshaft ASM
4	3296-42	8	Nut-Lock, NI
6	106-4480	1	Wheel-Friction
7	321-4	4	Screw-HH
11	108-2981	2	Retainer-Bearing
13	32144-10	4	Screw-HWH
14	106-4558	2	Bearing-Axle
15	3-8664	4	Washer-Thrust
16	107-8889	4	Guide-Collar
17	3256-22	5	Washer-Flat
18	107-8892-03	1	Brace-Collar, Shift
20	107-8893	2	Spring-Extension
21	108-0015	4	Washer-Flat
22	107-8894	2	11T Gear ASM
22:2	108-2973	2	Bushing-Flange
23	108-0016	2	Chain-Roller
23	2710-6	2	Link-Connecting
24	107-8888	1	Collar-Shift, RH
25	321-23	2	Screw-HH
26	107-8883	1	Shaft-Intermediate
27	3290-343	2	Pin-Hair

Ref	Part No.	Qty.	Description
28	107-8887	1	Collar-Shift, LH
29	108-2975	2	Screw-HH
30	107-8891	2	Washer-Thrust
31	3257-7	2	Key-Woodruff
32	107-8898	2	Shaft-Axle
33	106-4572	2	Gear-Axle, 44 Tooth
34	322-17	1	Screw-HH
35	3296-47	1	Nut-Lock, NI
36	106-7259	1	Tube-Axle
③		1	LH Wheel And Tire ASM
37	107-3042	1	Tire
37	107-3043	1	Rim-Tire
40	32144-14	2	Screw-HWHTF
41	55-9370	2	Spacer-Blade, Rotor

Engine Assembly No. 1

Tecumseh OHSK110-221734D



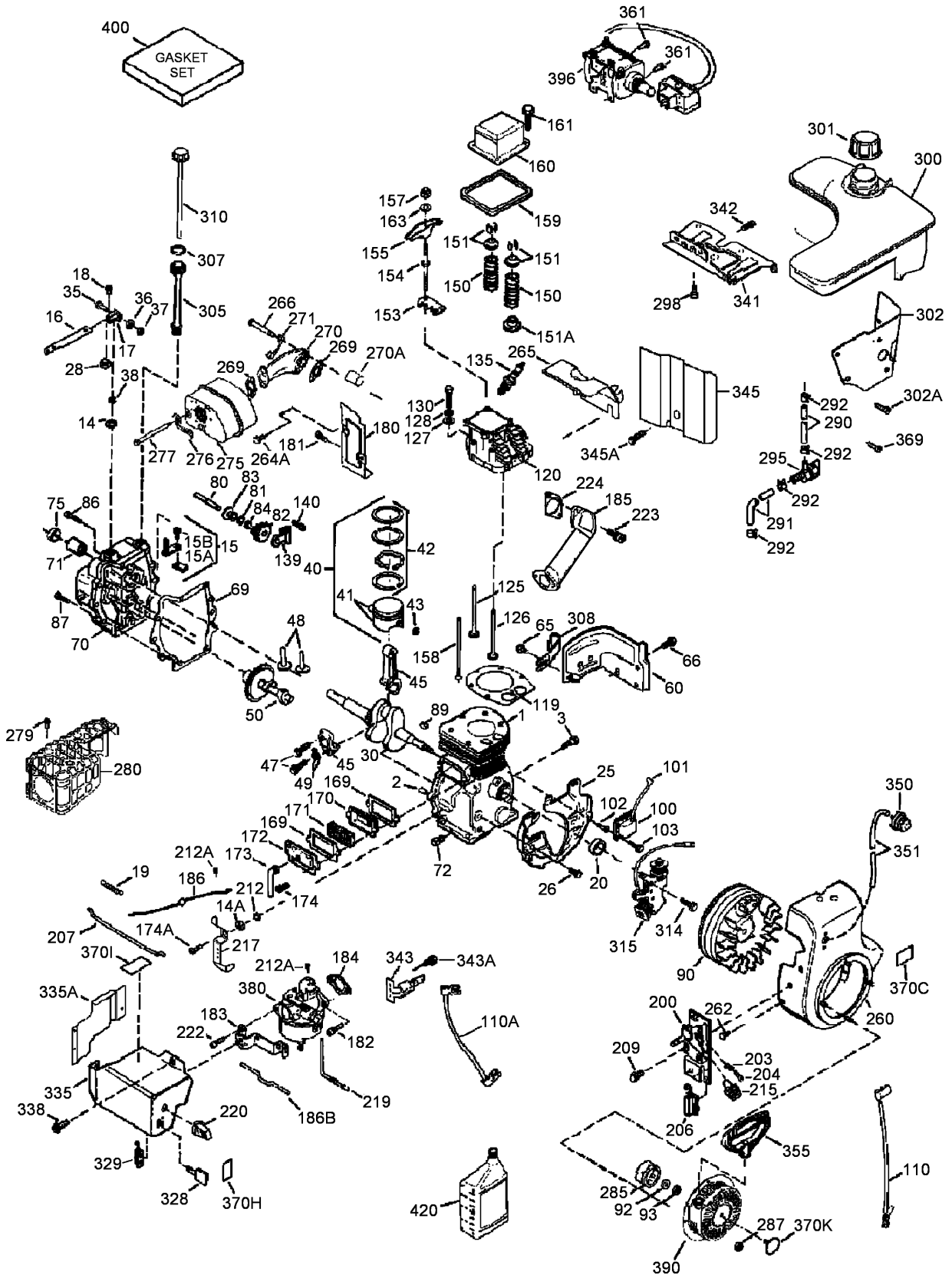
Engine Assembly No. 1

Tecumseh OHSK110-221734D

Ref	Part No.	Qty.	Description	Ref	Part No.	Qty.	Description
①1	37251	0	Cylinder (3-1/8 Bore) (Includes 2, 20)	①87	650832	1	Screw (1/4-20X1-11/16)
①2	27652	2	Pin-Dowel	①89	32589	1	Key-Flywheel
①3	650820	2	Screw (1/4-20X1/2)	①90	611093	1	Flywheel ASM
①14	28277	1	Washer-Flat	①92	650880	1	Washer-Belleville
①14A	651057	1	Washer	①93	650881	1	Nut-Flywheel
①15	30699C	1	Governor Rod (Includes 5A, 15B)	①100	35135A	1	Solid State Ignition (Includes 101)
①15A	30700	1	Yoke-Governor	①101	610118	1	Cover-Spark Plug
①15B	650494	1	Screw (6-40X5/16)	①102	651024	2	Stud-Mounting, Solid State
①16	37255A	1	Governor Lever (Includes 212A)	①103	651007	2	Screw (T-15, 10-24 X 15/16)
①17	29916	1	Clamp-Lever, Governor	①110	35187	1	Wire-Ground
①18	651028	1	Screw (T-15, 8-32X7/16)	①110A	37047	1	Wire-Ground
①19	36281	1	Spring-Extension	①119	37256	1	Gasket-Head, Cylinder
①20	35319	1	Seal-Oil	①120	37516	1	Cylinder Head (Includes 151A, 270A)
①25	37707A	1	Blower Housing Baffle	①125	36934	1	Valve-Exhaust (STD)
①26	650561	2	Screw (1/4-20X19/32)	①125	36936	1	Valve-Exhaust (1/32)
①28	30322	1	Nut-Lock (8-32)	①126	36935	1	Valve-Intake (STD)
①30	37272	1	Crankshaft	①127	650691	6	Washer-Flat
①35	29826	1	Screw (10-32X3/4)	①128	650690	6	Washer-Belleville
①36	29918	1	Washer-Lock (8)	①130	650697A	6	Screw (5/16-18 X 2-1/2)
①37	29216	1	Nut-Lock (10-32)	①135	34645	1	Spark Plug-Resistor (R N 4C)
①38	29642	1	Ring-Retaining	①139	33369	1	Bracket-Gear, Governor
①40	40011	1	Piston-Pin And Ring Set (STD)	①140	650836	1	Screw (10-24X1/2)
①40	40012	1	Piston- Pin And Ring Set (.010 O S)	①150	33507	2	Spring-Valve
①41	40009	1	Piston & Pin ASM (STD) (Includes 43)	①151	33508	2	Keeper-Spring, Valve
①41	40010	1	Piston & Pin ASM (.010) (Includes 43)	①151A	35862	1	Cap-Spring, Valve
①42	40013	1	Ring Set (STD)	①153	35949	1	Guide-Rod, Push
①42	40014	1	Ring Set (.010 O S)	①154	650945	2	Stud-Arm, Rocker
①43	27888	2	Ring-Retaining, Piston Pin	①155	35950	2	Arm-Rocker
①45	36897	1	Connecting Rod ASM (Includes 4, 49)	①157	650947	2	Nut-Jam
①47	651033	2	Bolt-Rod, Connecting	①158	35466	2	Rod-Push
①48	35313	2	Lifter-Valve	①159	35952	1	Gasket-Cover, Rocker Arm
①49	36896	1	Dipper-Oil	①160	35953A	1	Cover-Arm, Rocker
①50	37517	1	Camshaft (Mcr)	①161	30063	4	Screw (T-30, 1/4-20X1/2)
①60	35316A	1	Extension-Housing, Blower	①163	650890	2	Washer
①65	30200	1	Screw (10-24 X 9/16)	①169	27896A	2	Gasket-Cover, Valve
①66	30063	1	Screw (T-30, 1/4-20X1/2)	①170	28423	1	Body-Breather
①69	37342	1	Gasket-Cover, Cylinder	①171	28424	1	Element-Breather
①70	37273B	1	Cylinder Cover (Includes 71, 75, 80-84)	①172	28425	1	Cover-Valve
①71	35377	1	Bushing-Crankshaft	①173	35350	1	Tube-Breather
①72	27642	1	Plug-Drain, Oil (SQH 1/4-18)	①174	650128	2	Screw (10-24X1/2)
①75	35319	1	Seal-Oil	①174A	651056	1	Screw (10-24 X 29/32)
①80	37587	1	Shaft-Governor	①180	37101	1	Extension-Housing, Blower
①81	651080	1	Washer				
①82	37588	1	Governor Gear ASM (Includes 81)				
①83	30588A	1	Spool-Governor				
①84	29193	1	Ring-Retaining				
①86	650833	7	Screw (1/4-20X1-3/16)				

Engine Assembly No. 2

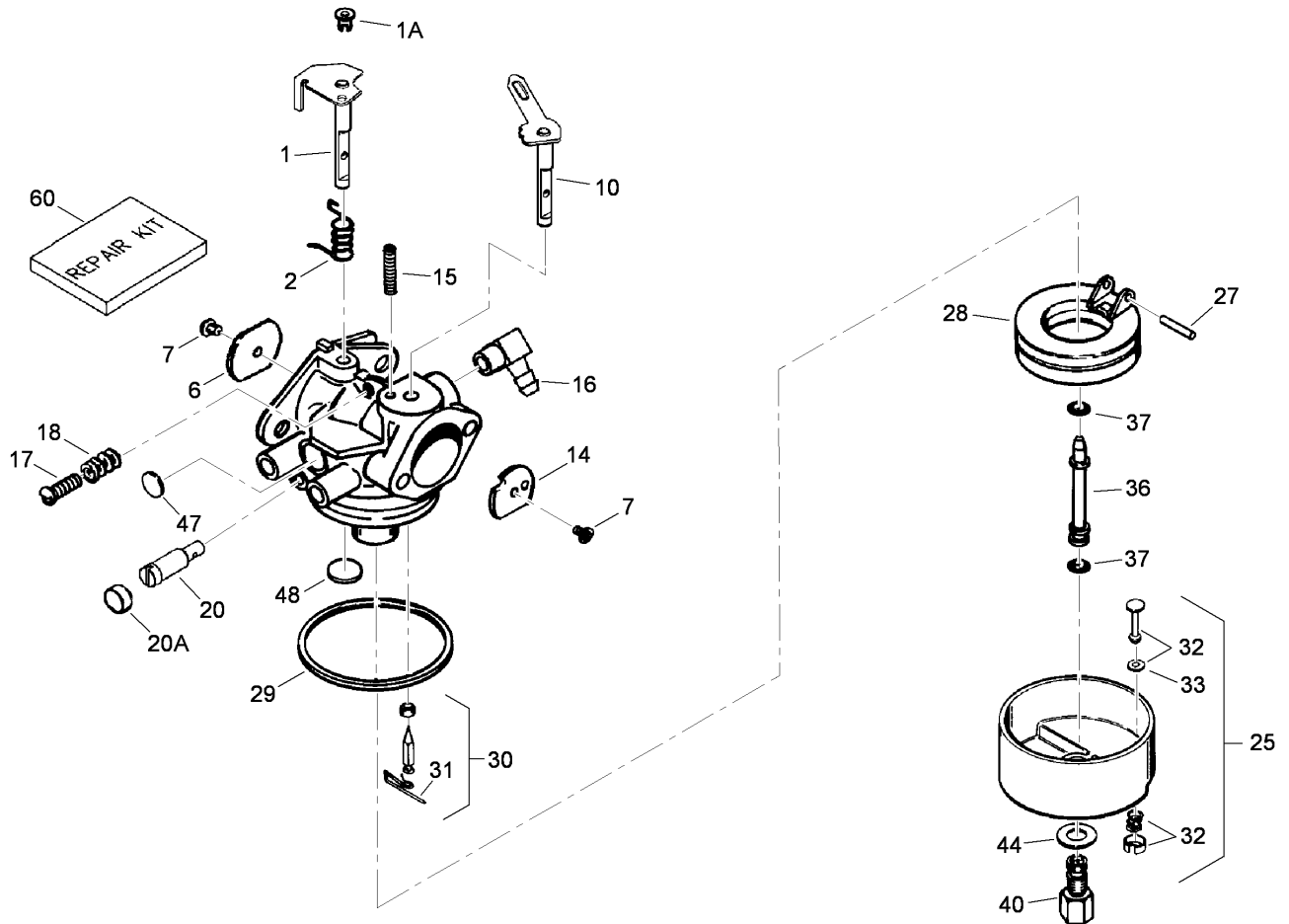
Tecumseh OHSK110-221734D



Engine Assembly No. 2

Tecumseh OHSK110-221734D

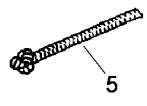
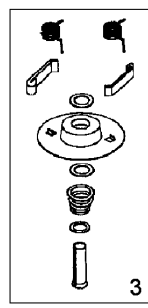
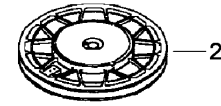
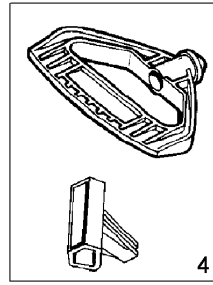
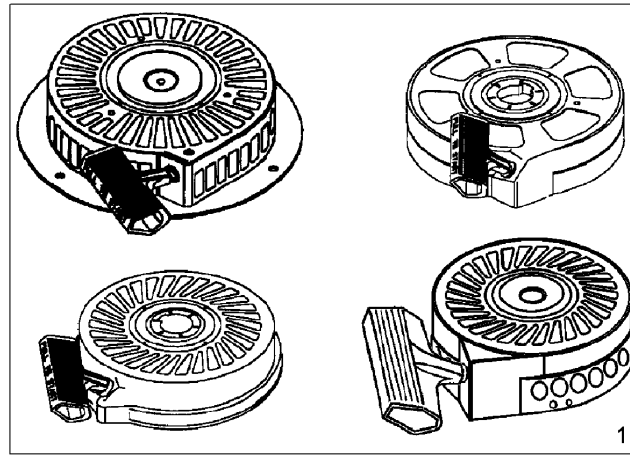
Ref	Part No.	Qty.	Description	Ref	Part No.	Qty.	Description
③181	30200	2	Screw (10-24 X 9/16)	③310	35700	1	Dipstick
③182	650517	0	Screw (T-30, 1/4-20 X 27-32)	③314	650873	1	Screw (1/4-20 X 3/4)
③183	34583A	1	Bracket-Choke	③315	611111	1	Coil-Alternator, 18 Watt
③184	33263	1	Gasket-Carburetor To Intake Pipe	③328	35062	2	Key-Ignition
③185	37085	1	Pipe-Intake	③329	610973	1	Terminal
③186	37261	1	Link-Governor	③335	37096	1	Spring
③186B	36653	1	Spring-Choke	③335A	37087	1	Cover-Carburetor
③200	35702	1	Control Bracket (Includes 203, 204, 206)	③338	650821	4	Screw (10-32 X 1/2)
③203	31342	1	Spring-Compression	③341	37093	1	Bracket-Tank, Fuel
③204	651029	1	Screw (T-10, 5-40X7/16)	③342	792028	2	Screw (5/16-18 X 7/8)
③206	610973	2	Terminal	③343	35079	1	Bracket-Switch, Key
③207	37262	1	Link-Throttle	③343A	651060	1	Screw (8-32 X 23/64)
③209	650821	2	Screw (10-32 X 1/2)	③345	37097	1	Baffle-Heat
③212	30773A	1	Bushing	③345A	650821	1	Screw (10-32 X 1/2)
③212A	36288	1	Bushing	③350	570682A	1	Primer ASM
③215	35440	1	Knob-Control	③351	32180C	1	Line-Primer
③217	37260	1	Lever-Bellcrank	③355	590574	1	Handle-Starter, Mitten Grip
③219	35689	1	Rod-Choke	③361	650990	2	Screw (T-30, 1/4-20X15/32)
③220	35438	1	Knob-Control	③369	651032	2	Screw (12-16 X 5/8)
③222	28820	2	Screw (10-32 X 1/2)	③370C	36501	1	Decal-Primer, International Symbol
③223	650971	2	Screw (T-30, 5/16-18 X 7/8)	③370H	37226	1	Decal-Choke
③224	33515A	1	Gasket-Pipe	③370I	37119	1	Decal-Warning (Bilingual)
③260	37092A	1	Housing-Blower	③370K	36695	1	Decal-Tecumseh Logo For Top Of Recoil Starter
③262	29747B	2	Screw	③380	640169	1	Carburetor (Includes 184)
③264A	650738	1	Screw (1/4-20 X 5/8)	③390	590749	1	Starter-Rewind (Note: This Engine Could Have Been Built With Starter 590733)
③265	37086	1	Cover-Head, Cylinder	③396	33329E	1	Starter-Electric (110 Volt)
③266	650876	2	Screw (5/16-18 X 1-9/32)	③400	37257A	1	Gasket Set
③269	35762	2	Gasket-Manifold, Exhaust	③420	730226A	1	Oil-Engine, S A E 5W30
③270	37263	1	Manifold, Exhaust	①③	756339B	1	Shortblock
③270A	35829A	1	Liner-Port, Exhaust				
③271	35293	1	Plate-Locking				
③275	37264	1	Muffler				
③276	35348	1	Plate-Locking				
③277	650877	2	Screw (5/16-18 X 4-1/2)				
③279	651011	4	Screw				
③280	37265	1	Shield-Heat				
③285	35985B	1	Cup-Starter				
③287	29752	4	Nut And Lock Washer (1/4-28)				
③290	30962	1	Line-Fuel				
③291	29774	1	Line-Fuel (8.62)				
③292	26460	1	Clamp-Line, Fuel				
③295	35857	1	Fuel Shut-Off Valve (Includes 292)				
③298	650665	2	Screw (1/4-15X7/8)				
③300	37099	1	Fuel Tank (Includes 292, 301)				
③301	36246	1	Cap-Fuel				
③302	37098	1	Extension-Tank, Fuel				
③302A	650821	3	Screw (10-32 X 1/2)				
③305	35574	1	Tube-Fill, Oil				
③307	35499	1	O-Ring				
③308	35539	1	Clip-Tube, Fill				



Carburetor Assembly No. 640169 Tecumseh OHSK110-221734D

Ref	Part No.	Qty.	Description
1	632777	1	Throttle Shaft And Lever ASM
1A	36288	1	Bushing
2	631970	1	Spring-Return, Throttle
6	640109	1	Shutter-Throttle
7	650506	2	Screw-Shutter
10	632778	1	Choke Shaft And Lever ASM
14	632189	1	Shutter-Choke
15	630735	1	Spring-Positioning, Choke
16	632527	1	Fitting-Fuel
17	651025	1	Screw-Throttle Crack And Idle Speed
18	630766	1	Spring-Tension
20	640027	1	Screw-Restrictor, Idle
20A	640053	1	Cap-Screw, Idle Restrictor
25	632594A	1	Float Bowl ASM (Includes 32, 33)
27	631024	1	Shaft-Float
28	632802	1	Float (Plastic)
29	631028	1	O Ring-Bowl, Float
30	631021	1	Inlet Needle, Seat, Clip (Includes 31)
31	631022	1	Clip-Spring
32	27136A	1	Bowl Drain ASM
33	27554	1	Gasket-Plunger, Drain
36	640013	1	Tube-Nozzle, Main

Ref	Part No.	Qty.	Description
37	632547	2	O-Ring
40	640170	1	Nut-Bowl, High Speed
44	27110A	1	Washer-Nut, Bowl
47	630748	1	Plug-Welch, Idle Mixture Well
48	631027	1	Plug-Welch, Atmospheric Vent
60	632760	1	Repair Kit



This illustration may not depict actual equipment and is for reference purposes only

Recoil Starter No. 590733 (Optional) Tecumseh OHSK110-221734D

Ref	Part No.	Qty.	Description
❶	590733	1	Starter-Rewind
❷	590709	1	Pulley And Rewind Spring ASM
❸	590774	1	Repair Kit
❹	590574	0	Handle-Starter, Mitten Grip (Also Available In Packaged Part 740053B)
❺	590535	1	Rope-Starter (98 Cut To Length)

--	--	--	--

Attachments and Accessories

For 38650 - Power Max 11280XE Snowthrower

Product Name	Model/Part
Tire Chain Kit	107-3813
Snow Cab	107-3814
Weight Kit	107-3815
28 Inch Drift Breaker	107-3817

NOTES

