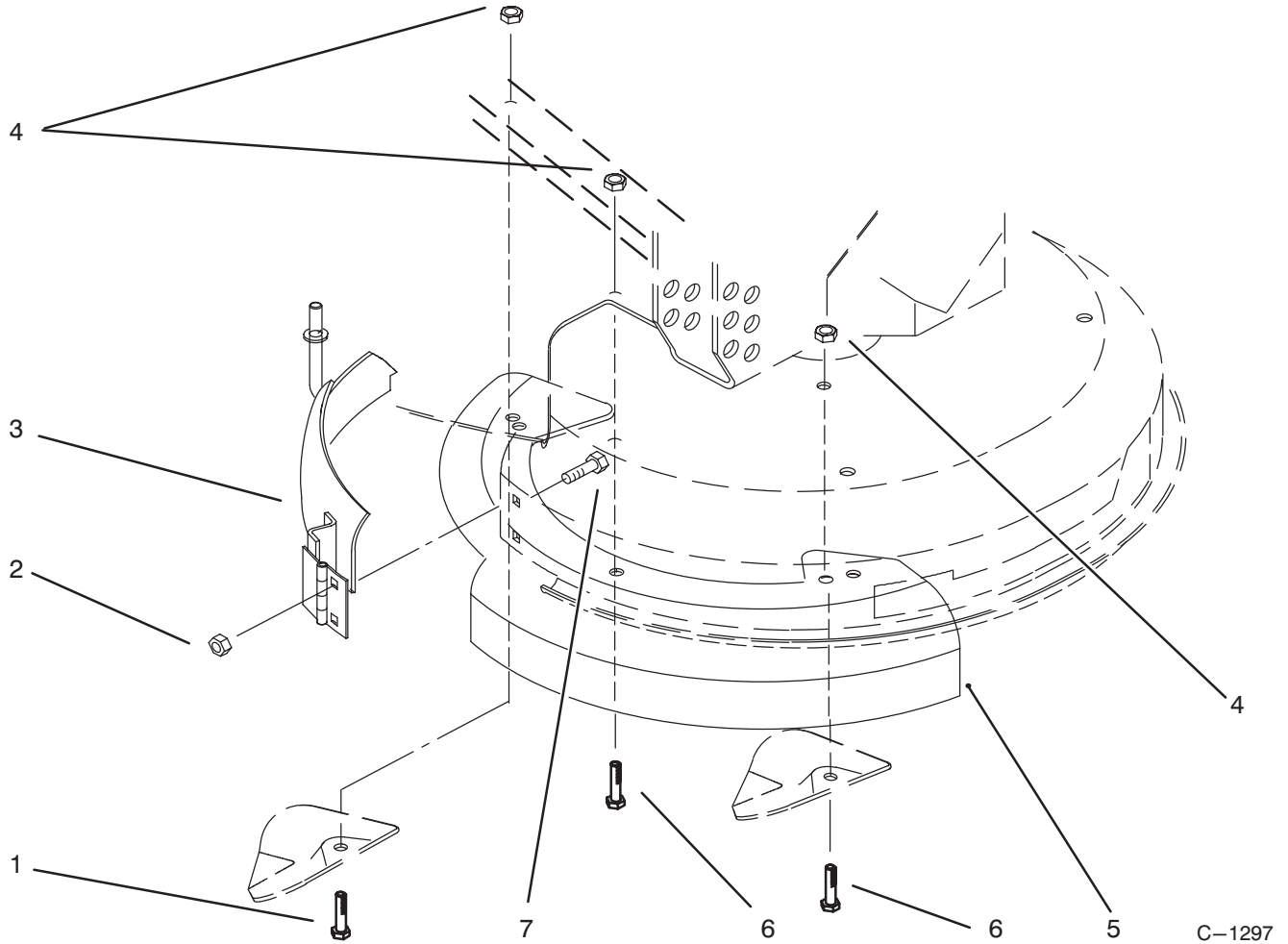




PART NO. 92-2938	PARTS CATALOG
KIT – PERFORMANCE IMPROVEMENT 37" CUTTING UNIT Proline	



COVER AND INSERT

Ref. No.	Part No.	Description	No. Used
1	322-7	Screw	1
2	32149-2	Nut (Ref.)	2
3	92-2932	Cover – Front	1
4	3296-29	Nut (Ref.)	2

Ref. No.	Part No.	Description	No. Used
5	92-2937	Insert – Deck	1
6	322-52	Screw (Ref.)	2
7	3229-22	Bolt – Carriage (Ref.)	2