



## 72 Inch Side Discharge Mower Groundsmaster® 3320 and 3280-D

Model No. 30368 - 270000001 and up.

### Parts Catalog

---

#### **Ordering Replacement Parts**

To order replacement parts, please supply the part number, the quantity, and the description of each part desired.

#### **Understanding Reference Numbers**

Each identified part in an illustration has a reference number. The reference number for a part also appears in the parts list, along with other information about the part.

This catalog uses two special reference number formats, one to indicate parts in a service assembly and another to indicate the quantity of a given part in an illustration.

#### **Service Assembly Reference Numbers**

Parts in service assemblies have reference numbers in the form a:b. The a represents the reference number of the entire service assembly and the b represents a sequential number unique to each part within the service assembly.

For example, a wheel assembly might be identified by reference number 6, the tire by 6:1, the valve by 6:2, and the wheel by 6:3. When you order the assembly identified by reference number 6, you receive all parts identified by reference numbers 6:1, 6:2, and 6:3. However, you may also order any part individually. Reference numbers of this type appear in illustrations and in part lists.

#### **Reference Numbers Indicating Quantity**

In an illustration, if a reference number indicates more than one part, the reference number has the form nX y. The n represents the quantity of the part, the X is the multiplication symbol, and the y represents the reference number.

For example, in an illustration, the reference number 2X 37 means that two of the parts identified by reference number 37 are indicated.

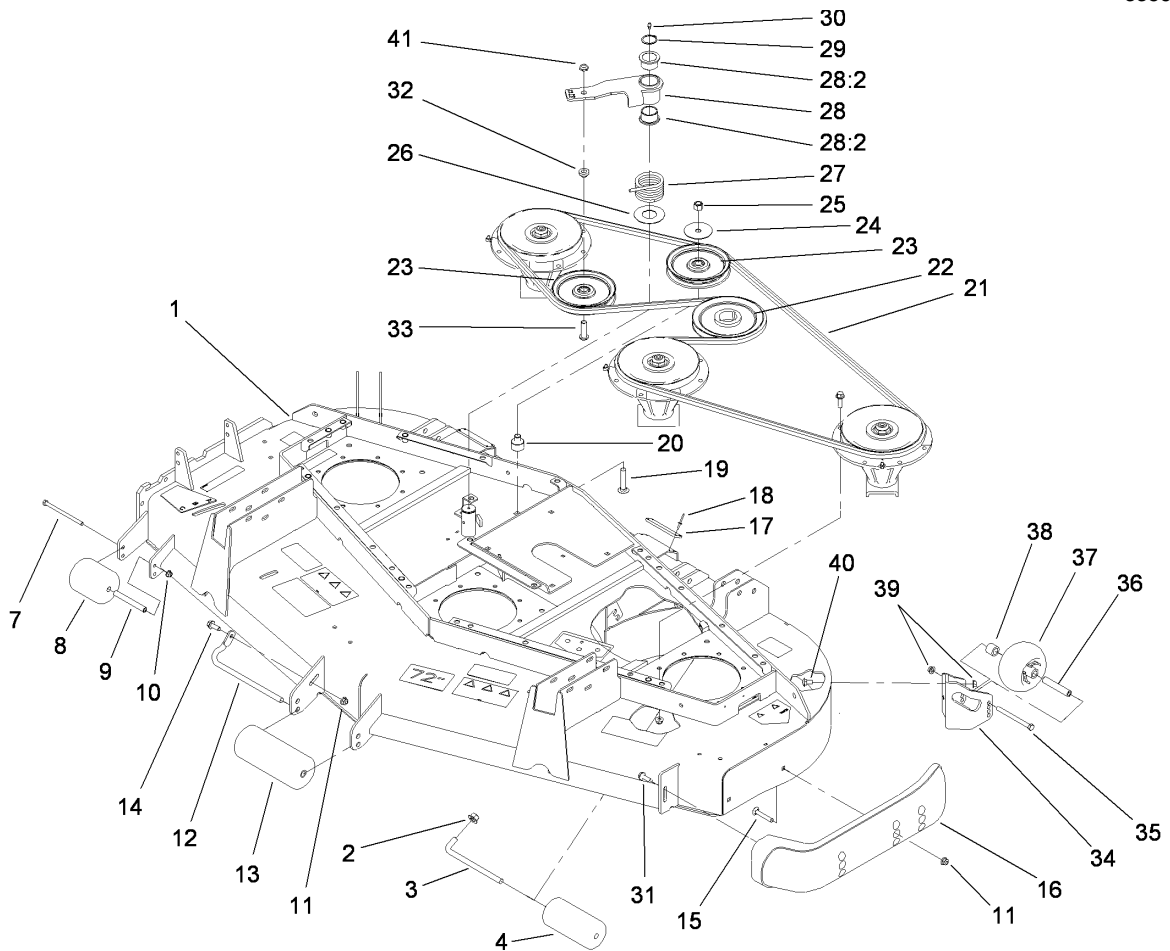
## Contents

Description	Page	Description	Page
Deck, Belt and Pulley Assembly	..... 3	Rubber Deflector Assembly No. 108-2792	..... 9
Deck Assembly No. 107-7281	..... 4	Gearbox Assembly No. 108-1370	..... 10
Caster Arm Assembly	..... 5	Lift Arm Assembly	..... 11
Spindle and Blade Assembly	..... 6	LH Lift Arm Assembly No. 108-1977	..... 12
Spindle Assembly No. 108-1957	..... 7	RH Lift Arm Assembly No. 108-1947	..... 13
Gearbox, Baffle and Cover Assembly	..... 8	Attachments and Accessories List	..... 14

## Part Description Abbreviations

Part descriptions in this catalog may include the following abbreviations.

AR. .... as required	HYD. .... hydraulic
ASM. .... assembly	LH. .... left hand
BBC. .... blade brake clutch	NI. .... nylon insert
CARR. .... carriage	NPTF. .... national pipe thread fine
DEG. .... degrees	PFH. .... phillips flat head
EXT. .... external	PPH. .... phillips pan head
FH. .... flat head	PPHTF. .... phillips pan head thread forming
GA. .... gauge	PRH. .... phillips round head
HD. .... heavy-duty	PTH. .... phillips truss head
HF. .... hex flange	PTO. .... power-take-off
HH. .... hex head	RH. .... right hand
HHF. .... hex head flange	ROPS. .... roll-over protection system
HHFTF. .... hex head flange thread forming	SFH. .... slotted fillister head
HJ. .... hex jam	SHH. .... slotted hex head
HLH. .... hex lag head	SHWH. .... slotted hex washer head
HOC. .... height-of-cut	SPH. .... slotted pan head
HSBH. .... hex socket button head	SQH. .... square head
HSFH. .... hex socket flat head	SRH. .... slotted round head
HSH. .... hex socket head	STD. .... standard
HWH. .... hex washer head	TAP. .... self tapping
HWHTF. .... hex washer head thread forming	TTH. .... torx truss head

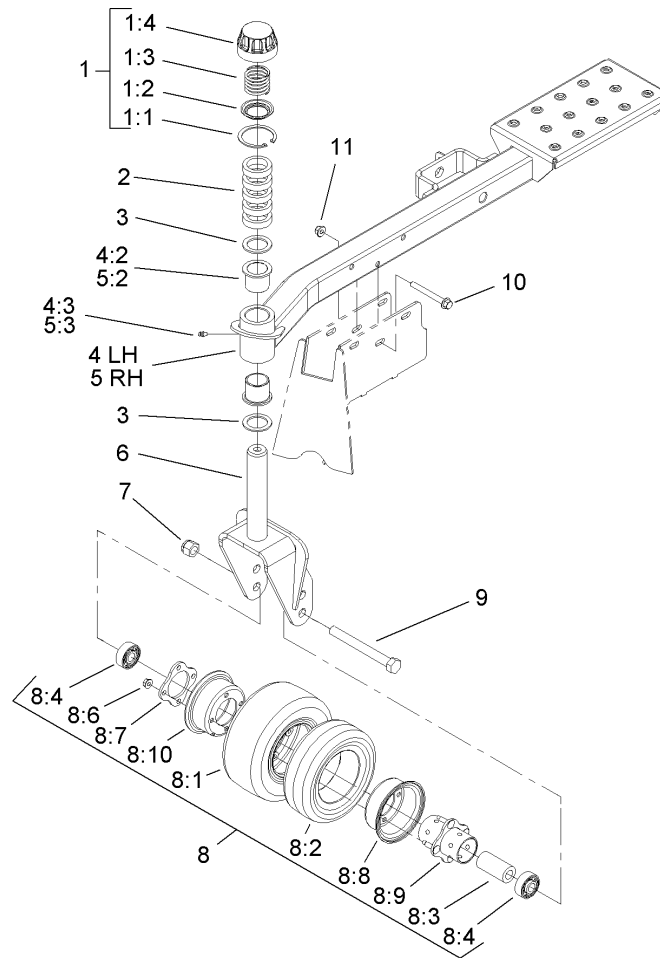


## Deck, Belt and Pulley Assembly

Ref	Part No.	Qty.	Description
1	107-7281	1	Deck ASM
2	99-5107	2	Nut-Lock
3	110-9683	2	Shaft-Rear Roller
4	36-1740	2	Roller-Deck
7	322-29	1	Screw-HH
8	93-4803	1	Roller-Deck
9	105-4549	1	Spacer-Roller
10	104-8300	1	Nut-Flange, NI
11	104-8301	3	Nut-Flange, NI
12	68-6840	1	Shaft-Roller
13	68-6710	1	Roller
14	3234-42	1	Screw-HHF
15	3231-33	2	Screw-CARR
16	112-1479	1	Skid-Bumper, Deck
17	108-1914	2	Pad-Bumper
18	3269-24	8	Rivet
19	3233-34	1	Screw-CARR
20	108-1908	1	Spacer-Idler
21	108-4393	1	Belt-Hex
22	107-4725	1	Pulley
23	01-268-0160	2	Pulley-Idler
24	100-3102	1	Washer-Flat
25	3296-23	1	Nut-Lock, NI
26	108-1926	1	Washer

Ref	Part No.	Qty.	Description
27	108-1921	1	Spring-Torsion
28	108-1930	1	Idler Arm ASM
28:2	93-4510	2	Bushing-Caster
29	32120-84	1	Ring-Snap, External
30	302-5	1	Fitting-Grease
31	9136144	1	Screw-HWHTF
32	108-1924	1	Spacer-Idler
33	108-1993	1	Screw-HSBH
34	106-7354-01	1	Mount-Wheel, LH
35	323-23	1	Screw-HH
36	98-7912	1	Tube-Spanner
37	1-603299	1	Roller-Scalp, Anti
38	98-7913	1	Tube-Spacer
39	3290-357	4	Nut-HHF, Whiz
40	3231-1	3	Screw-CARR
41	3296-45	1	Nut-Lock, NI

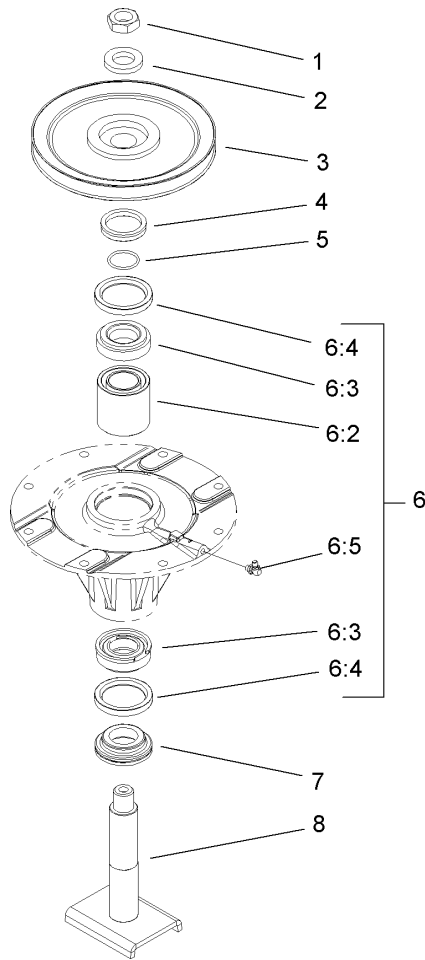




## Caster Arm Assembly

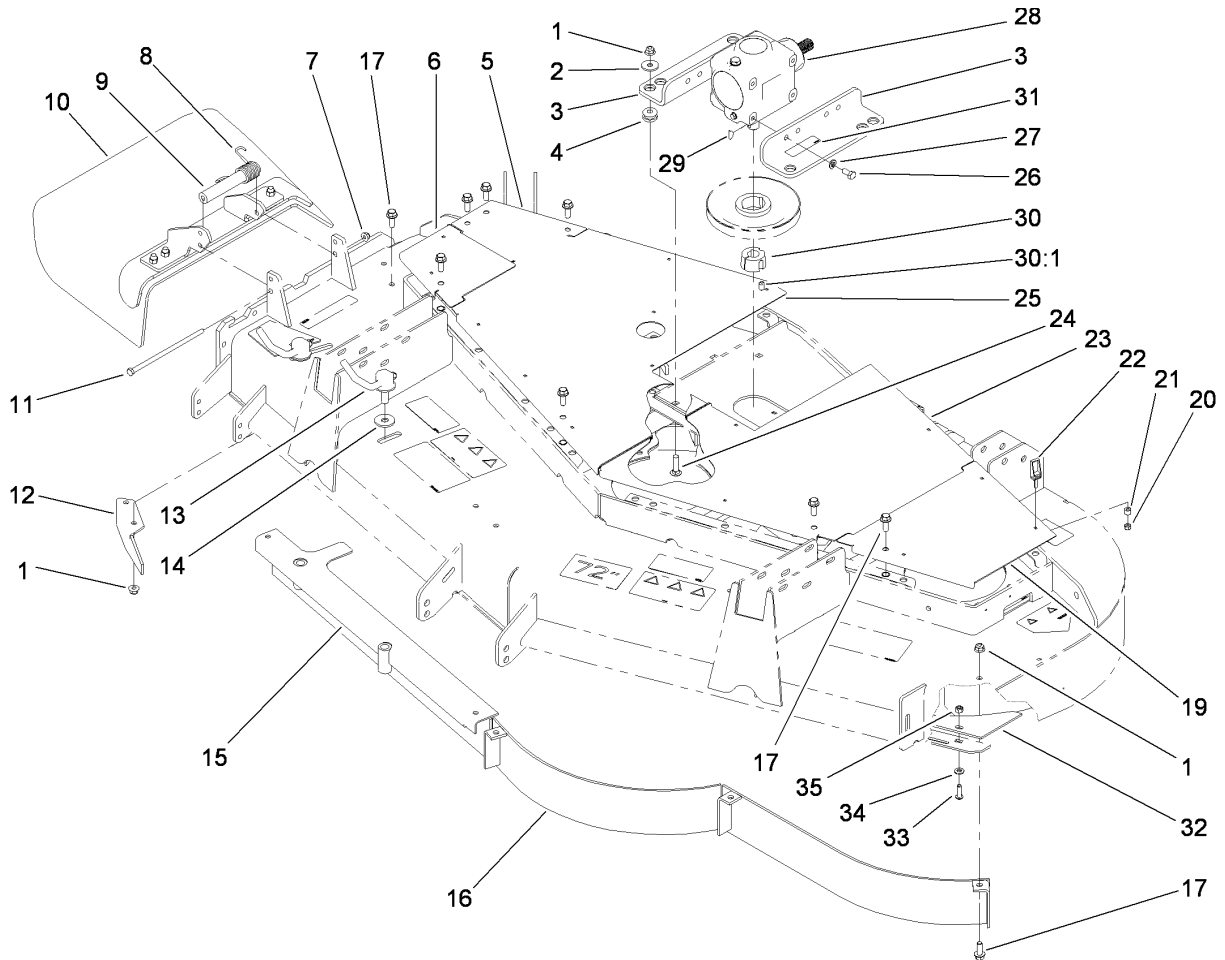
Ref	Part No.	Qty.	Description	Ref	Part No.	Qty.	Description
1	92-9727	2	HOC Cap ASM	8:10	95-2741	1	Rim-Wheel, Half
1:1	92-5581	1	Ring-Retaining	9	327-24	2	Screw-HH
1:2	92-5583	1	Washer-Cap	10	3234-41	10	Screw-HHF
1:3	92-9726	1	Spring-Compression	11	104-8301	10	Nut-Flange, NI
1:4	92-8861	1	Cap-HOC				
2	69-1510	10	Spacer-Caster				
3	69-6860	4	Washer-Thrust				
4	108-5746	1	LH Caster Arm ASM				
4:2	69-6470	2	Bushing-Caster				
4:3	302-5	1	Fitting-Grease				
5	108-5747	1	RH Caster Arm ASM				
5:2	69-6470	2	Bushing-Caster				
5:3	302-5	1	Fitting-Grease				
6	104-0762-01	2	Caster Fork ASM				
7	3296-53	2	Nut-Lock, NI				
8	93-9938	2	8 Inch Wheel ASM				
8:1	93-9939	1	Tire				
8:2	68-8950	1	Tube-Inner (W/Valve)				
8:3	93-4241	1	Spacer-Bearing, Inner				
8:4	93-4237	2	Bearing				
8:6	32128-16	4	Nut-HHF				
8:7	93-4242	1	Plate				
8:8	93-4239	1	Rim-Wheel, Half				
8:9	93-5980	1	Hub				





## Spindle Assembly No. 108-1957

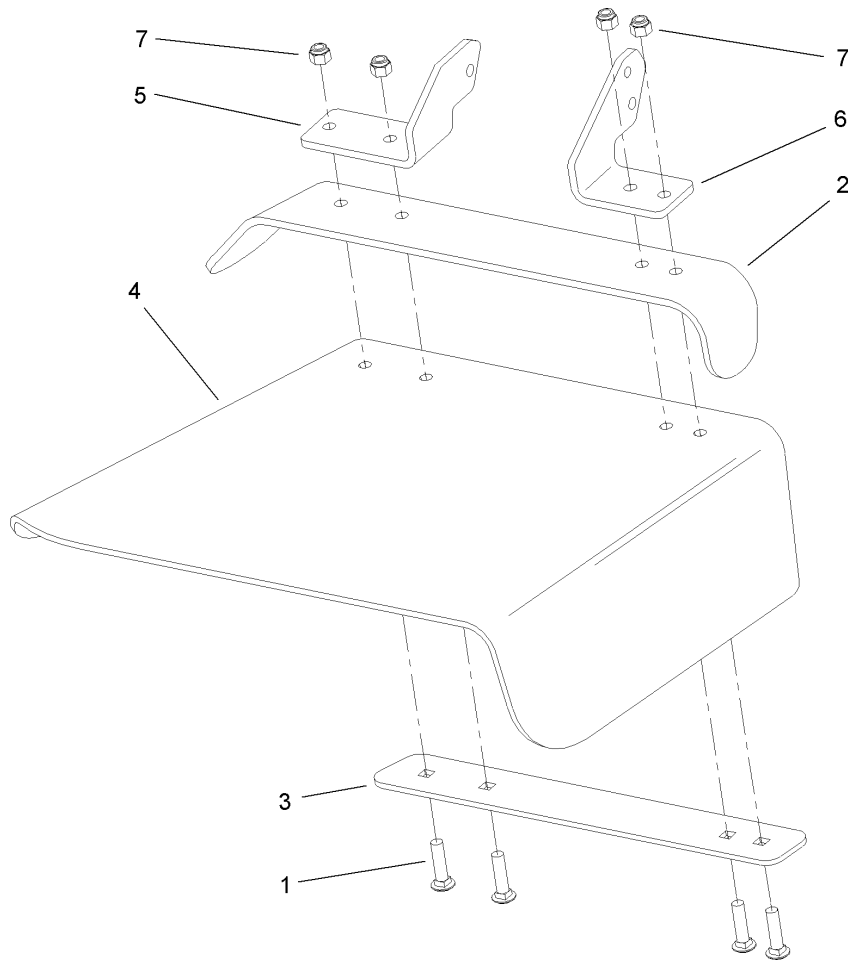
Ref	Part No.	Qty.	Description	
1	3296-60	1	Nut-Lock, NI	
2	104-8322	1	Washer-Hardened	
3	104-3546	1	Pulley-Driven, Low	
4	104-3564	1	Seal-V Ring	
5	106-7159	1	O-Ring	
6	108-1991	1	Spindle Housing ASM	
6:2	108-1954	1	Spacer Set-Bearing	
6:3	26-1830	1	Bearing Kit (Matched Set)	
6:4	253-154	2	Seal-Oil	
6:5	302-60	1	Fitting-Grease, 90 DEG	
7	69-6950	1	Spacer-Shaft, Spindle	
8	108-1956	1	Shaft ASM	



## Gearbox, Baffle and Cover Assembly

Ref	Part No.	Qty.	Description
1	104-8301	10	Nut-Flange, NI
2	63-8410	4	Washer
3	108-4376-03	2	Bracket-Gearbox
4	63-9750	4	Mount
5	110-0633-03	1	Cover-Deck, RH Outer Rear
6	110-0634-03	1	Cover-Deck, RH Outer Front
7	104-8300	1	Nut-Flange, NI
8	108-4052	1	Spring-Torsion
9	105-4622	1	Spacer
10	108-2792	1	Rubber Deflector ASM
11	322-50	1	Screw-HH
12	106-3216-01	1	Baffle-Discharge
13	107-1664	2	Lever ASM
14	105-7697	2	Washer-Plastic
15	105-7669-01	1	Baffle ASM
16	105-7730-01	1	Baffle ASM
17	3234-42	13	Screw-HHF
19	110-0632-03	1	Cover-Deck, LH Outer
20	1-804254	17	Nut
21	106-6778	17	Bushing-Latch, Swell
22	106-6777	17	Handle-Latch, Swell
23	110-0630-03	1	Cover-Deck, LH Inner
24	3231-26	4	Screw-CARR
25	110-0631-03	1	Cover-Deck, RH Inner

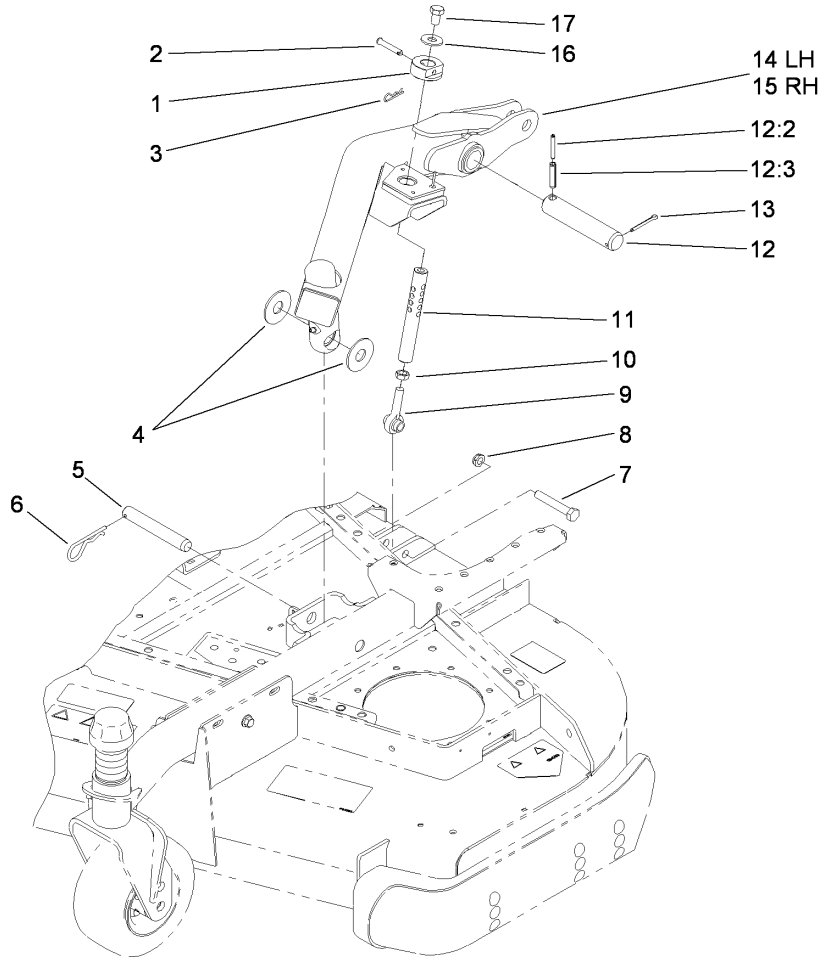
Ref	Part No.	Qty.	Description
26	323-4	4	Screw-HH
27	3253-21	4	Washer-Lock
28	108-1370	1	Gearbox Replacement Kit
29	3257-5	1	Key-Woodruff
30	23-1640	1	Bushing-Taperlock
30:1	3247-4	2	Screw-Set
31	93-6697	1	Decal-Lube
32	107-3138	1	Plate-Turbo
33	3274-104	2	Screw-HSBH
34	1-303334	2	Washer-Spring
35	3296-29	2	Nut-Lock, NI



## Rubber Deflector Assembly No. 108-2792

Ref	Part No.	Qty.	Description
1	3231-4	4	Screw-CARR
2	106-3246-01	1	Deflector
3	106-3248-03	1	Strap-Discharge
4	108-5029	1	Deflector-Rubber
5	108-4059-01	1	Plate-Hinge, Rear
6	106-3253-01	1	Plate-Hinge, Front
7	3296-39	4	Nut-Lock, NI





### Lift Arm Assembly

Ref	Part No.	Qty.	Description				
1	110-0641	2	Collar-HOC				
2	107-3457	2	Pin-Clevis				
3	3290-467	2	Pin-Hair				
4	107-7915	4	Washer-Thrust				
5	107-7904	2	Pin-Clevis				
6	3290-256	2	Pin-Hair				
7	325-12	2	Screw-HH				
8	3296-45	2	Nut-Lock, NI				
9	105-2808	2	End-Rod				
10	3220-5	2	Nut-Jam				
11	107-7284	2	Tube-HOC				
12	98-2330	2	Pivot Pin ASM				
12:2	32121-67	1	Pin-Roll				
12:3	32121-61	1	Pin-Roll				
13	3272-24	2	Pin-Cotter				
14	108-1977	1	LH Lift Arm ASM				
15	108-1947	1	RH Lift Arm ASM				
16	3256-6	2	Washer-Flat				
17	3213-20	2	Screw-HH				





# Attachments and Accessories

## For 30368 - 72in Side Discharge Mower, Groundsmaster 3320 and 3280-D

Product Name	Model/Part
High-Speed Blade Tip Kit .....	108-1961
Leaf Mulching Kit, 72 Inch Side Discharge Only .....	108-5273
Blade-Rotary, High Flow (24.5) .....	110-0622-03
Blade-Rotary, Atomic (24.5) .....	110-0624-03
Castor Wheel ASM Kit .....	110-4767
Blade and Belt Kit .....	110-4771
8 Inch Foam Filled Wheel ASM .....	93-5974

# NOTES

