



## Base 62in Mower Groundsmaster® 3320 and 3280-D

Model No. 30403 - 280000001 and up.

### Parts Catalog

---

#### **Ordering Replacement Parts**

To order replacement parts, please supply the part number, the quantity, and the description of each part desired.

#### **Understanding Reference Numbers**

Each identified part in an illustration has a reference number. The reference number for a part also appears in the parts list, along with other information about the part.

This catalog uses two special reference number formats, one to indicate parts in a service assembly and another to indicate the quantity of a given part in an illustration.

#### **Service Assembly Reference Numbers**

Parts in service assemblies have reference numbers in the form a:b. The a represents the reference number of the entire service assembly and the b represents a sequential number unique to each part within the service assembly.

For example, a wheel assembly might be identified by reference number 6, the tire by 6:1, the valve by 6:2, and the wheel by 6:3. When you order the assembly identified by reference number 6, you receive all parts identified by reference numbers 6:1, 6:2, and 6:3. However, you may also order any part individually. Reference numbers of this type appear in illustrations and in part lists.

#### **Reference Numbers Indicating Quantity**

In an illustration, if a reference number indicates more than one part, the reference number has the form nX y. The n represents the quantity of the part, the X is the multiplication symbol, and the y represents the reference number.

For example, in an illustration, the reference number 2X 37 means that two of the parts identified by reference number 37 are indicated.

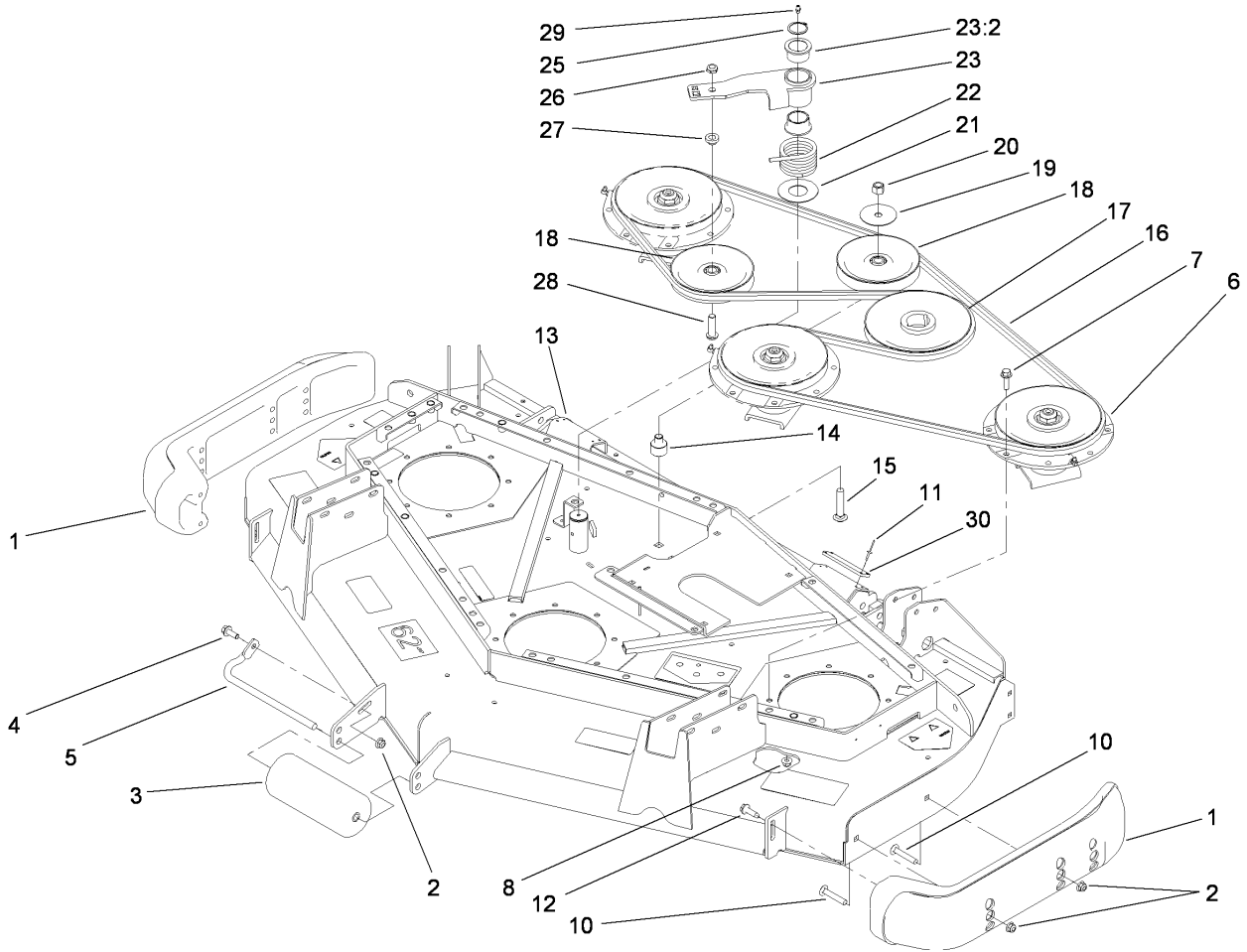
## Contents

<b>Description</b>	<b>Page</b>	<b>Description</b>	<b>Page</b>
Roller, Belt and Pulley Assembly	..... 3	Gear Box Assembly No. 108-1370	..... 8
Low Driven Idler Assembly No. 104-3532	..... 4	Lift Arm Assembly	..... 9
Deck Assembly No. 107-7261	..... 5	LH Lift Arm Assembly No. 108-1948	..... 10
Caster Arm Assembly	..... 6	RH Lift Arm Assembly No. 108-1947	..... 11
Deck Cover and Gearbox Assembly	..... 7	Attachments and Accessories List	..... 12

## Part Description Abbreviations

Part descriptions in this catalog may include the following abbreviations.

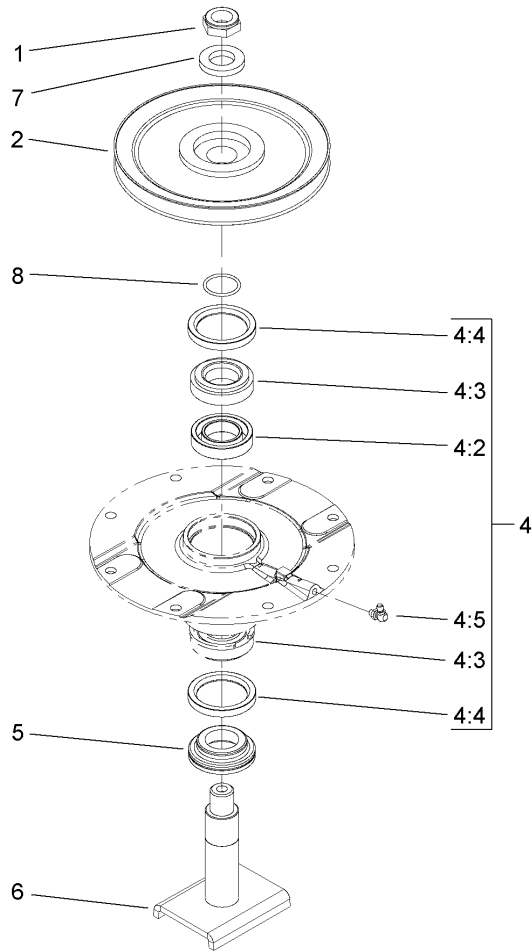
AR. .... as required	HYD. .... hydraulic
ASM. .... assembly	LH. .... left hand
BBC. .... blade brake clutch	NI. .... nylon insert
CARR. .... carriage	NPTF. .... national pipe thread fine
DEG. .... degrees	PFH. .... phillips flat head
EXT. .... external	PPH. .... phillips pan head
FH. .... flat head	PPHTF. .... phillips pan head thread forming
GA. .... gauge	PRH. .... phillips round head
HD. .... heavy-duty	PTH. .... phillips truss head
HF. .... hex flange	PTO. .... power-take-off
HH. .... hex head	RH. .... right hand
HHF. .... hex head flange	ROPS. .... roll-over protection system
HHFTF. .... hex head flange thread forming	SFH. .... slotted fillister head
HJ. .... hex jam	SHH. .... slotted hex head
HLH. .... hex lag head	SHWH. .... slotted hex washer head
HOC. .... height-of-cut	SPH. .... slotted pan head
HSBH. .... hex socket button head	SQH. .... square head
HSFH. .... hex socket flat head	SRH. .... slotted round head
HSH. .... hex socket head	STD. .... standard
HWH. .... hex washer head	TAP. .... self tapping
HWHTF. .... hex washer head thread forming	TTH. .... torx truss head



## Roller, Belt and Pulley Assembly

Ref	Part No.	Qty.	Description
1	112-1479	2	Skid-Bumper, Deck
2	104-8301	5	Nut-Flange, NI
3	68-6710	1	Roller
4	3234-42	1	Screw-HHF
5	68-6840	1	Shaft-Roller
6	104-3532	3	Low Driven Spindle ASM
7	3234-24	24	Screw-HHF
8	104-8301	24	Nut-Flange, NI
10	3231-33	4	Screw-CARR
11	3269-24	8	Rivet
12	9136144	2	Screw-HWHTF
13	107-7261	1	Deck ASM
14	108-1908	1	Spacer-Idler
15	3233-34	1	Screw-CARR
16	107-4788	1	Belt-Hex
17	107-4767	1	Pulley ASM
18	01-268-0160	2	Pulley-Idler
19	100-3102	1	Washer-Flat
20	3296-23	1	Nut-Lock, NI
21	108-1926	1	Washer
22	108-1921	1	Spring-Torsion
23	108-1930	1	Idler Arm ASM
23:2	93-4510	2	Bushing-Caster
25	32120-84	1	Ring-Snap, External

Ref	Part No.	Qty.	Description
26	3296-45	1	Nut-Lock, NI
27	108-1924	1	Spacer-Idler
28	108-1993	1	Screw-HSBH
29	302-5	1	Fitting-Grease
30	108-1914	2	Pad-Bumper

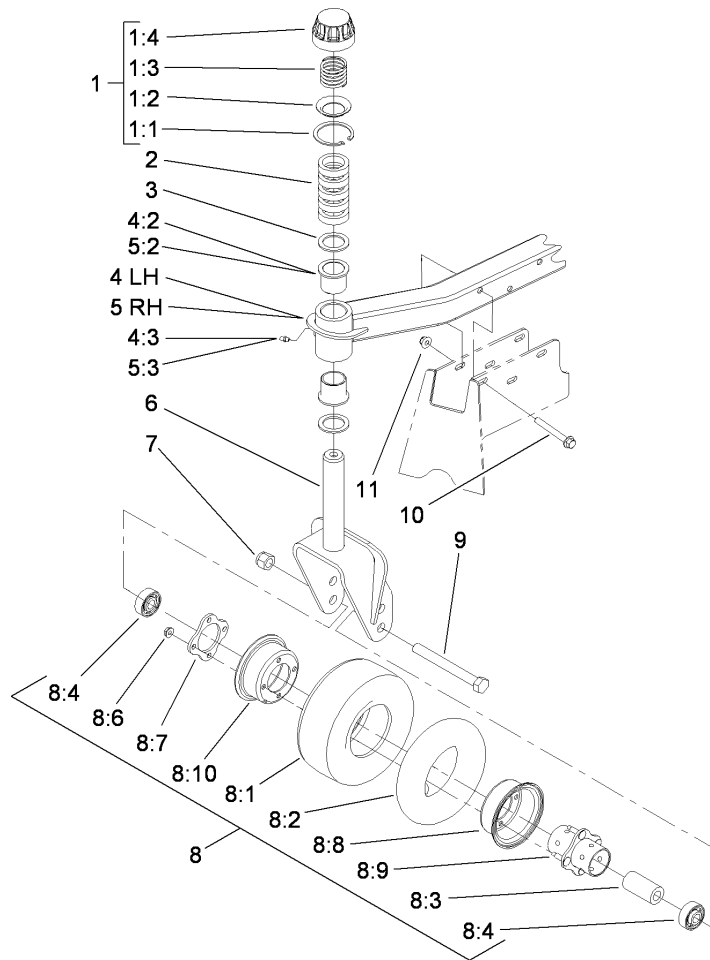


## Low Driven Idler Assembly No. 104-3532

Ref	Part No.	Qty.	Description
1	3296-60	1	Nut-Lock, NI
2	104-3546	1	Pulley-Driven, Low
4	104-3552	1	Spindle Housing ASM
4:2	104-3549	1	Bearing Spacer Set
4:3	110-8297	1	Bearing ASM
4:4	253-154	2	Seal-Oil
4:5	302-60	1	Fitting-Grease, 90 DEG
5	69-6950	1	Spacer-Shaft, Spindle
6	104-3554	1	Spindle Shaft ASM
7	104-8322	1	Washer-Hardened
8	106-7159	1	O-Ring

--	--	--	--

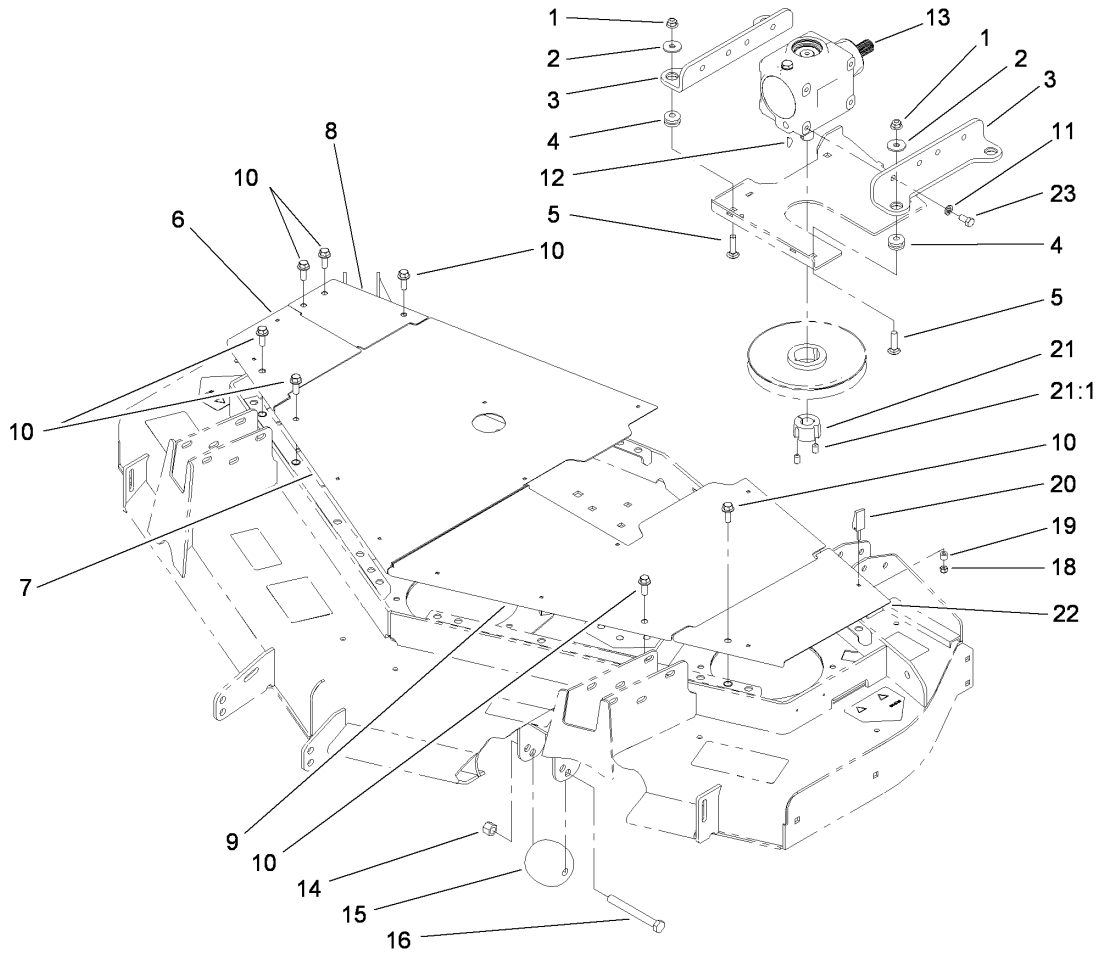




### Caster Arm Assembly

Ref	Part No.	Qty.	Description
1	92-9727	2	HOC Cap ASM
1:1	92-5581	1	Ring-Retaining
1:2	92-5583	1	Washer-Cap
1:3	92-9726	1	Spring-Compression
1:4	92-8861	1	Cap-HOC
2	69-1510	10	Spacer-Caster
3	69-6860	4	Washer-Thrust
4	108-1946	1	LH Castor Arm ASM
4:2	69-6470	2	Bushing-Caster
4:3	302-5	1	Fitting-Grease
5	108-1945	1	RH Caster Arm ASM
5:2	69-6470	2	Bushing-Caster
5:3	302-5	1	Fitting-Grease
6	104-0762-01	2	Caster Fork ASM
7	3296-53	2	Nut-Lock, NI
8	93-9938	2	8 Inch Wheel ASM
8:1	93-9939	1	Tire
8:2	68-8950	1	Tube-Inner (W/Valve)
8:3	93-4241	1	Spacer-Bearing, Inner
8:4	93-4237	2	Bearing
8:6	32128-16	4	Nut-HHF
8:7	93-4242	1	Plate
8:8	93-4239	1	Rim-Wheel, Half
8:9	93-5980	1	Hub

Ref	Part No.	Qty.	Description
8:10	95-2741	1	Rim-Wheel, Half
9	327-24	2	Screw-HH
10	3234-41	10	Screw-HHF
11	104-8301	10	Nut-Flange, NI

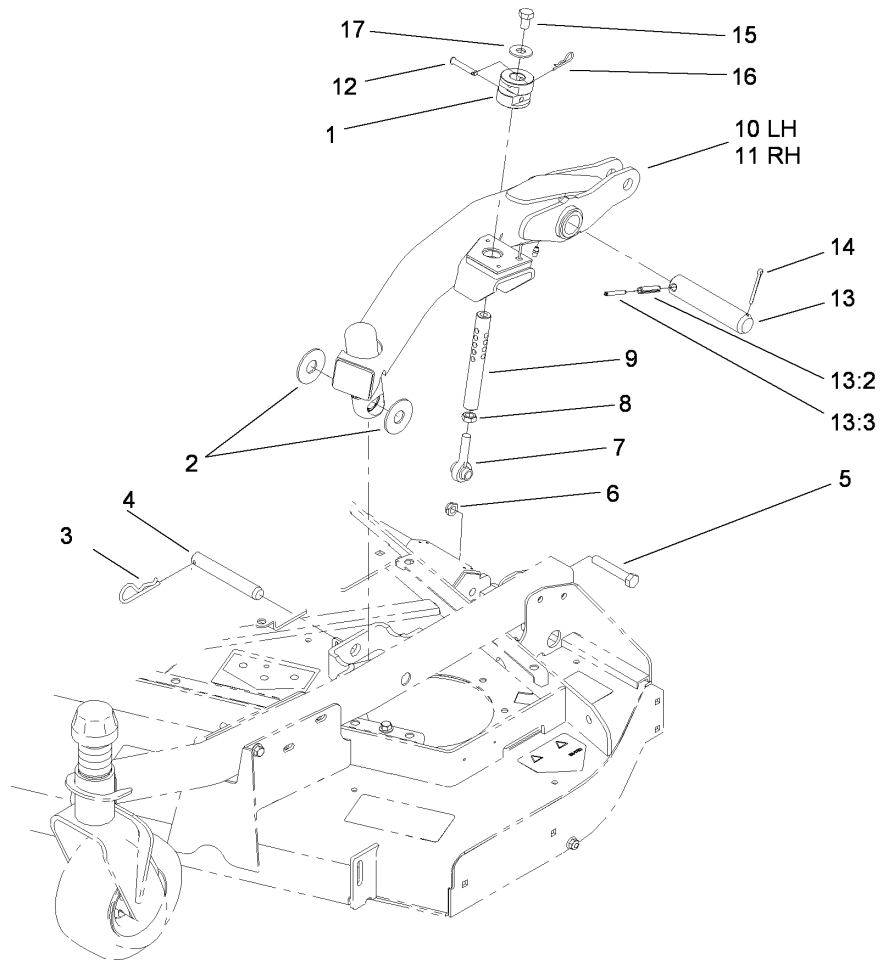


## Deck Cover and Gearbox Assembly

Ref	Part No.	Qty.	Description
1	104-8301	4	Nut-Flange, NI
2	63-8410	4	Washer
3	108-1928-03	2	Bracket-Gearbox
4	63-9750	4	Mount
5	3231-26	4	Screw-CARR
6	108-5292-03	1	Cover-Deck, RH (Outer Front)
7	108-5290-03	1	Cover-Deck, RH (Inner)
8	108-5291-03	1	Cover-Deck, RH (Outer Rear)
9	108-5289-03	1	Cover-Deck, LH (Inner)
10	3234-42	7	Screw-HHF
11	3253-21	4	Washer-Lock
12	3257-5	1	Key-Woodruff
13	108-1370	1	Gearbox Replacement Kit
14	3296-23	2	Nut-Lock, NI
15	29-4820	2	Roller
16	325-18	2	Screw-HH
18	1-804254	13	Nut
19	106-6778	13	Bushing-Latch, Swell
20	106-6777	13	Handle-Latch, Swell
21	23-1640	1	Bushing-Taperlock
21:1	3247-4	2	Screw-Set
22	108-5288-03	1	Cover-Deck, LH (Outer)
23	323-4	4	Screw-HH

--	--	--	--





## Lift Arm Assembly

Ref	Part No.	Qty.	Description
1	110-0641	2	Collar-HOC
2	107-7915	4	Washer-Thrust
3	3290-256	2	Pin-Hair
4	107-7904	2	Pin-Clevis
5	325-12	2	Screw-HH
6	3296-45	2	Nut-Lock, NI
7	105-2808	2	End-Rod
8	3220-5	2	Nut-Jam
9	107-7284	2	Tube-HOC
10	108-1948	1	LH Lift Arm ASM
11	108-1947	1	RH Lift Arm ASM
12	107-3457	2	Pin-Clevis
13	98-2330	2	Pivot Pin ASM
13:2	32121-67	1	Pin-Roll
13:3	32121-61	1	Pin-Roll
14	3272-24	2	Pin-Cotter
15	3213-20	2	Screw-HH
16	3290-467	2	Pin-Hair
17	3256-6	2	Washer-Flat

--	--	--	--





# Attachments and Accessories

For 30403 - Base 62in Mower, Groundsmaster 3320 and 3280-D

Product Name	Model/Part
Bahiagrass Baffle Kit .....	105-7269
Blade-Atomic, 21.75 Inch .....	107-0214-03
Castor Wheel ASM Kit .....	110-4767
Blade and Belt Kit .....	110-4768
Skid Replacement Kit .....	112-9570
62 Inch Rear Discharge Completion Kit .....	30305
62 Inch Guardian Recycler Completion Kit .....	30306
8 Inch Foam Filled Wheel ASM .....	93-5974

# NOTES

# NOTES

# NOTES

