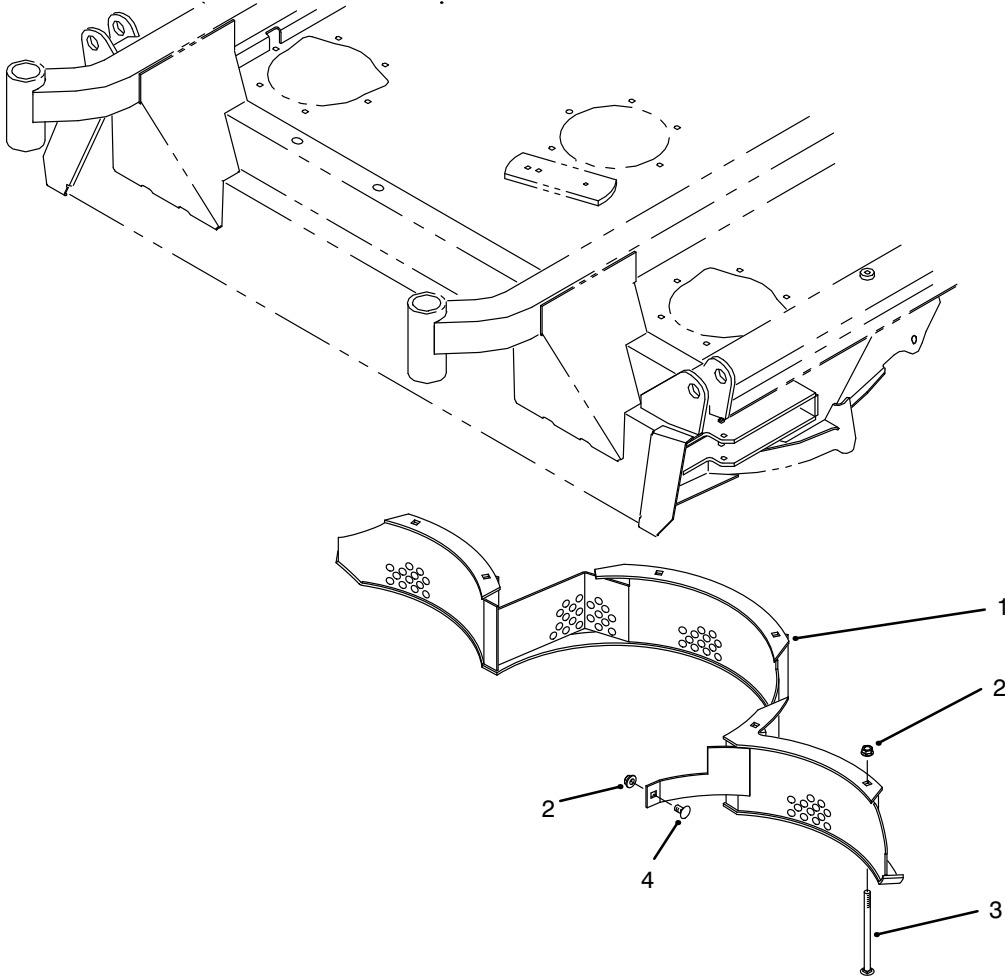




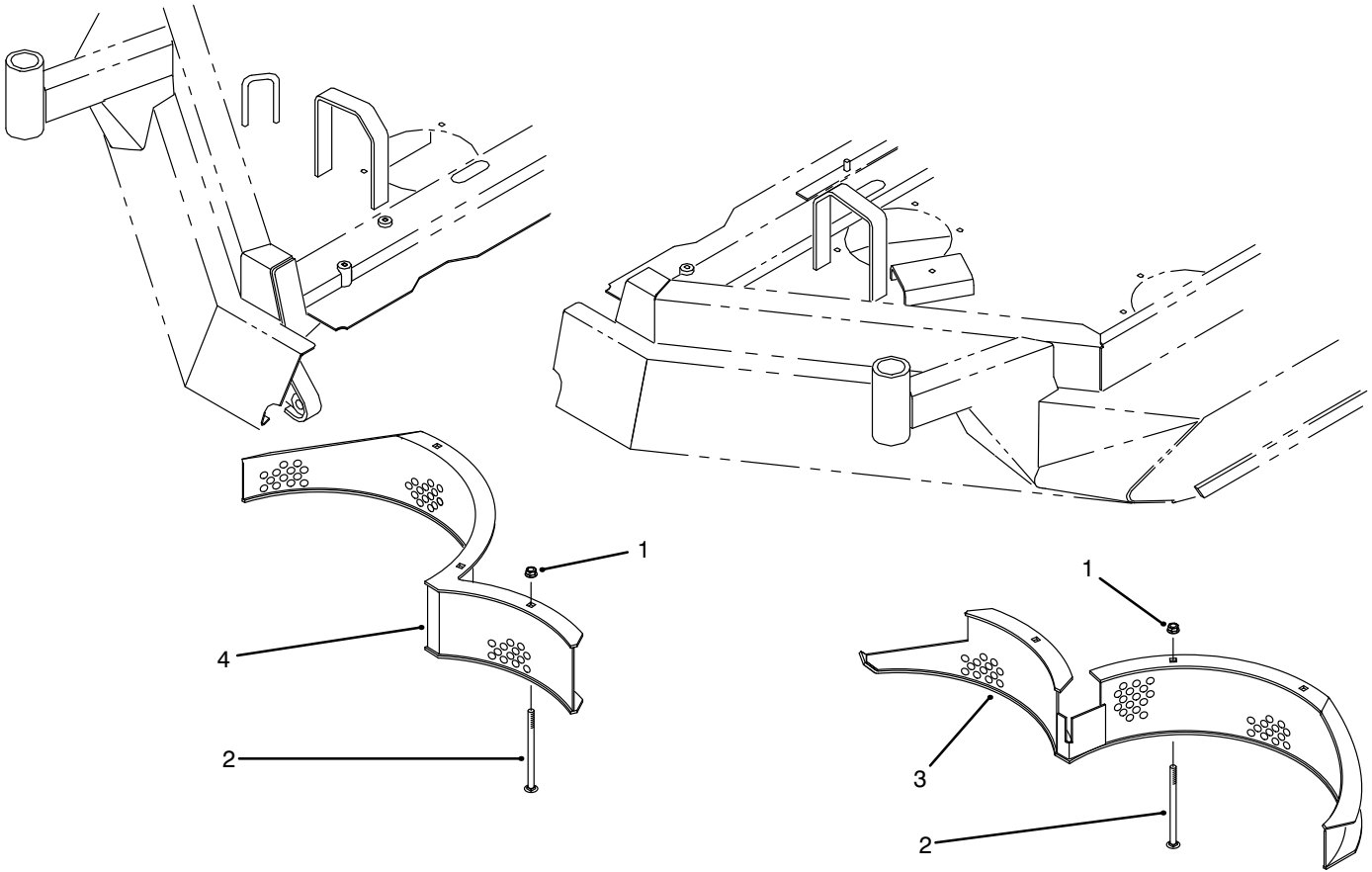
MODEL NO. 30475	PARTS CATALOG
MULCHER KIT For Groundsmaster 455D Cutting Unit	



T-1566A

CENTER DECK MULCHER SCREEN ASSEMBLY

Ref. No.	Part No.	Description	No. Used	Ref. No.	Part No.	Description	No. Used
1	92-4040	Screen - Mulcher	1	3	3231-32	Bolt - Carriage	6
2	32128-43	Nut - Flange Lock	7	4	3231-21	Bolt - Carriage	1



T-1567A

WING DECK MULCHER SCREEN ASSEMBLIES

Ref. No.	Part No.	Description	No. Used
1	32128-43	Nut - Flange Lock	6
2	3231-32	Bolt - Carriage	6

Ref. No.	Part No.	Description	No. Used
3	92-4048	Screen - Mulcher LH Wing	1
4	92-4044	Screen - Mulcher RH Wing	1