



# Idler Spring Replacement Kit

## For LX460 Lawn Tractors

Model No. 112-6079

### Installation Instructions

## Loose Parts

Use the chart below to verify that all parts have been shipped.

Procedure	Description	Qty.	Use
<b>1</b>	No parts required	–	
<b>2</b>	Spring Extension (3/4OD x 6.835 inch) (112-6078)	1	
	Shoulder bolt (.43 x .29 x 5/16-18 inch) (112-0597)	2	
	Locknut (5/16 inch) (112-1115)	2	
	Belt keeper rod (112-5879)	1	
	Washer (.406 x .875 x .059) (112-0572)	2	
	Bolt (3/8 x 1-1/2 inches) (112-0469)	1	

This kit is the upgrade replacing the 112-0432 extension spring used on the 2006 Model Year 46 inch cutting deck with manual PTO engagement. In addition, the kit includes a new belt keeper guide. Later production 46 inch cutting decks have the new spring, belt guide and mounting hardware that is supplied in this kit.

**Note:** These materials are prepared for use by trained technicians who are experienced in the service and repair of equipment of the kind described in this publication, and are not intended for use by untrained or inexperienced individuals. Such individuals should seek the assistance of an authorized service technician or dealer.

**Note:** Save this Instruction Sheet. Refer to it when ordering replacement parts.

# 1

## Preparing for the Kit

### No Parts Required

### Procedure

1. Place tractor on a flat and level surface, turn off the engine, remove the ignition key and set the parking brake ON.

2. Allow engine and muffler to cool before proceeding with repair.
3. Refer to the Operator's Manual in the Service section under Cutting Deck Removal. Remove the cutting deck from under the tractor.

# 2

## Installing the Kit

### Parts needed for this procedure:

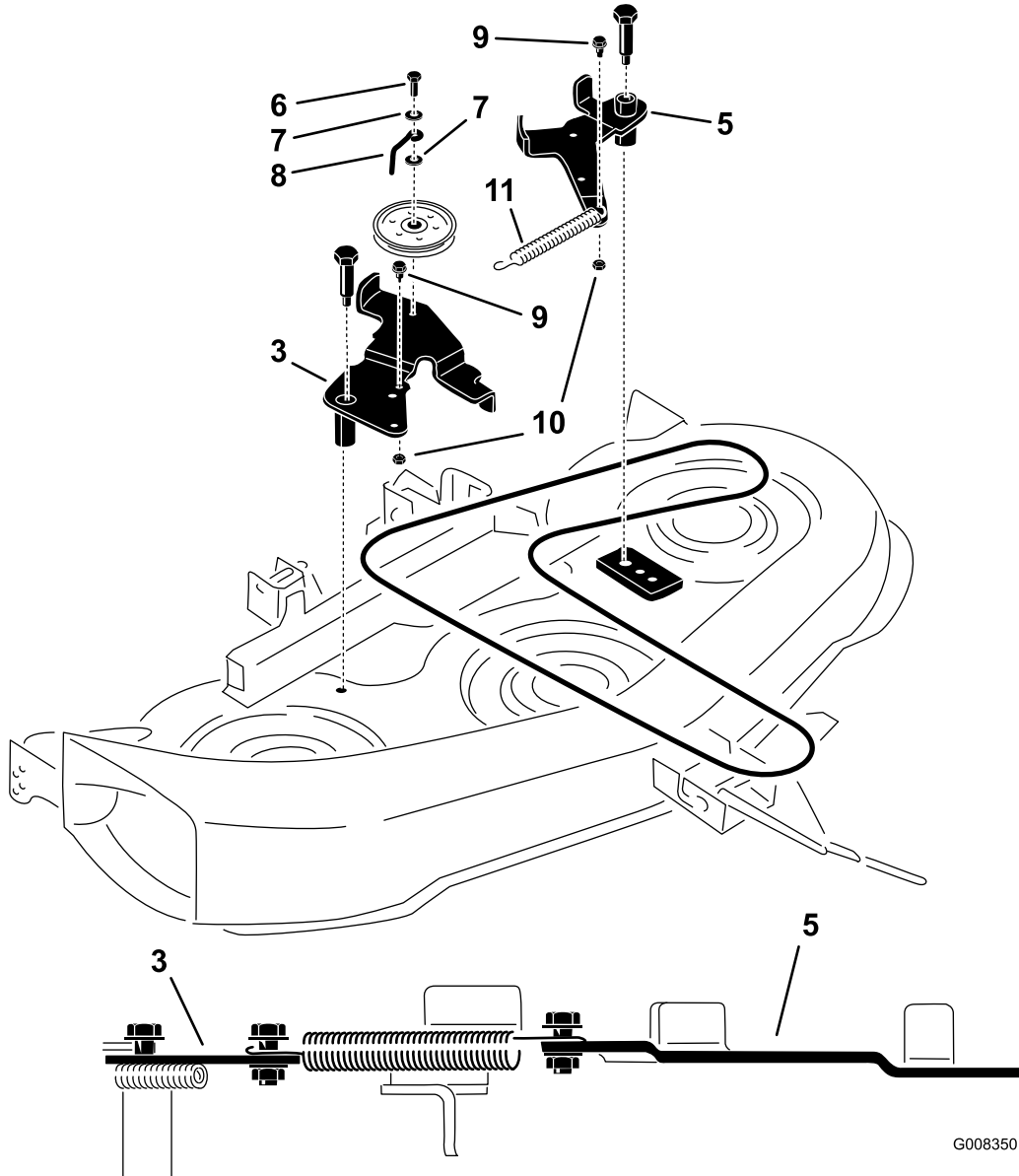
1	Spring Extension (3/4OD x 6.835 inch) (112-6078)
2	Shoulder bolt (.43 x .29 x 5/16-18 inch) (112-0597)
2	Locknut (5/16 inch) (112-1115)
1	Belt keeper rod (112-5879)
2	Washer (.406 x .875 x .059) (112-0572)
1	Bolt (3/8 x 1-1/2 inches) (112-0469)

### Procedure

1. Using a 1/2 inch socket and ratchet, remove and discard the existing 112-0432 extension spring and mounting bolts from both idler brackets.
2. Refer to the enlarged side view of the installed extension spring at the bottom of Figure 1. Note the

orientation of the spring's hook ends. Position the spring, as shown, onto the left hand idler bracket, 112-04250.

3. Place a new shoulder bolt into the hook end and into the hole in the idler bracket. Using a 1/2 inch socket and ratchet and a 1/2 inch box or open end wrench, secure to the left hand idler bracket using a center lock hex nut, item 3.
4. Repeat step 6 for the right hand idler bracket, 112-0494.
5. Ensure that the spring is correctly oriented and installed at the correct idler holes so that the spring does not rub the belt when the deck is in the raised position
6. Using a 9/16 inch socket and ratchet, remove and discard the self-tapping bolt (3/8 x 1-1/4 inches) retaining the idler pulley on the 112-0494 idler bracket.
7. Install the new belt keeper guide using 2 flat washers and the self tapping bolt (3/8 x 1-1/2 inches) as shown in Figure 1.
8. This complete the installation of this service kit.
9. Re-install the deck onto the tractor in the reverse order of removal.



G008350

**Figure 1**

- |                         |                   |                            |                          |
|-------------------------|-------------------|----------------------------|--------------------------|
| 1. Self tapping bolt    | 4. Spring         | 7. Washer, 112-0572        | 10. Nut, 112-1115        |
| 2. Remove mounting bolt | 5. Idler          | 8. Belt keeper, 112-5879   | 11. New spring, 112-6078 |
| 3. Idler                | 6. Bolt, 112-0469 | 9. Shoulder bolt, 112-0597 |                          |



**Count on it.**