



Idler Bolt Replacement Kit

For LX460 and LX465 Lawn Tractors

Model No. 112-6080

Installation Instructions

Loose Parts

Use the chart below to verify that all parts have been shipped.

Procedure	Description	Qty.	Use
1	No parts required	–	Prepare for the kit
2	Bolt (3/8 x 3-1/2) (112-6081) Flange locknut (3/8 inch) (112-0668) Washer (.385 x 1.0 x .135) (112-0920) Washer (.406 x .875 x .059) (112-0572) Spacer (.380 x .625 x 2.515) (112-6082)	2 2 1 2 2	Install the kit

To improve the load bearing performance of the two dynamic idlers' attaching hardware..

Note: These materials are prepared for use by trained technicians who are experienced in the service and repair of equipment of the kind described in this publication, and are not intended for use by untrained or inexperienced individuals. Such individuals should seek the assistance of an authorized service technician or dealer.

Note: Save this Instruction Sheet. Refer to it when ordering replacement parts.

1

Preparing for the Kit

No Parts Required

Procedure

1. Place tractor on a flat and level surface, turn off the engine, remove the ignition key and set the parking brake ON.
2. Allow engine and muffler to cool before proceeding with repair.
3. Refer to the Operator's Manual in the Service section under Cutting Deck Removal. Remove the cutting deck from under the tractor.

4. It is not necessary to remove the upper drive belt from the two idlers or left side spindle pulley on the deck for this upgrade.
5. Refer to Figure 1 (See backside of this sheet). Relieve remaining spring loading on the two idlers shown. This may be accomplished by unhooking the small diameter spring, "A", from the rear corner of the right side pulley/belt cover and removing one of the bolts from either end of spring "B".

2

Installing the Kit

Parts needed for this procedure:

2	Bolt (3/8 x 3-1/2) (112-6081)
2	Flange locknut (3/8 inch) (112-0668)
1	Washer (.385 x 1.0 x .135) (112-0920)
2	Washer (.406 x .875 x .059) (112-0572)
2	Spacer (.380 x .625 x 2.515) (112-6082)

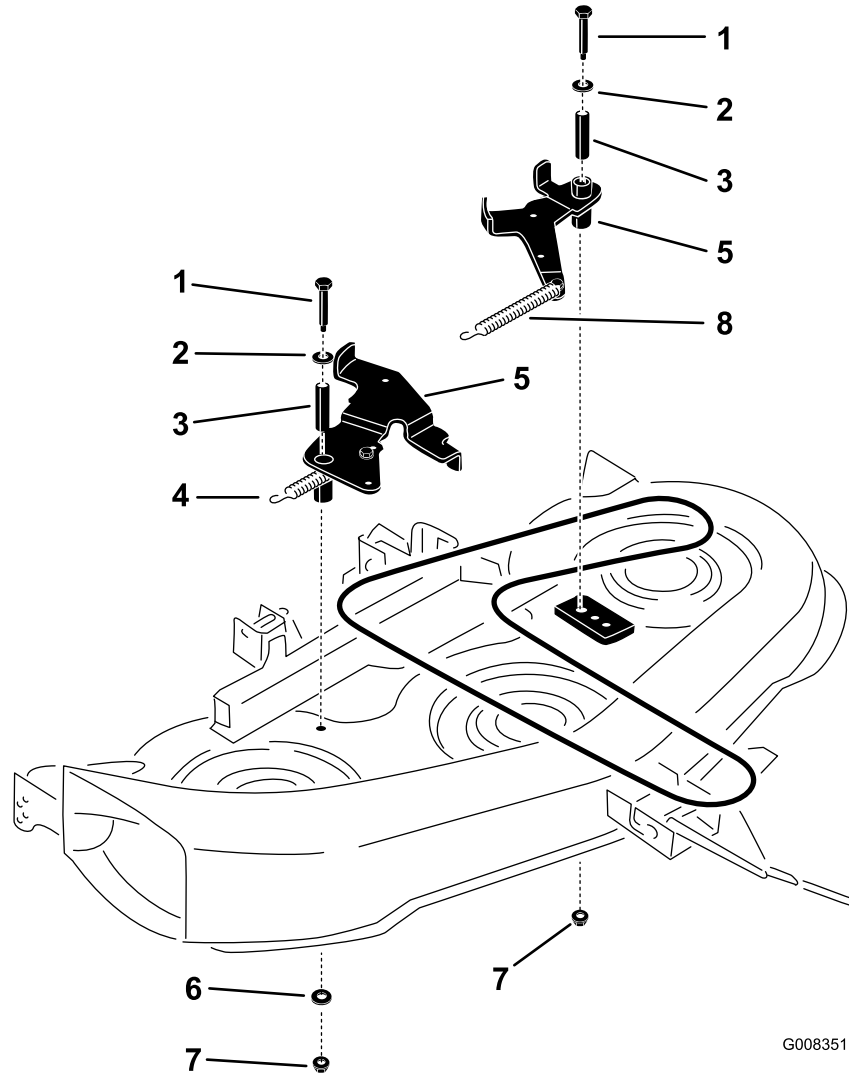
Procedure

1. Using a 3/4 inch box or open end wrench and a 9/16 inch socket and ratchet, remove and discard the 112-5833 shoulder bolts, flat washer and lock nuts securing both idlers to the deck.
2. Refer to Figure 1. Re-assemble each idler using the new hardware supplied as shown in Figure 1 for the appropriate idler.

Note: Using a lithium or silicone base grease, lubricate the outside diameter of the 112-6082 spacers before assembly into the idler hubs.

3. Using a 9/16 inch box wrench and a 9/16 inch socket and ratchet, securely tighten the new idler mounting hardware.
4. Re-install springs "A" and "B", removed in Step 5 above, to their appropriate attachment locations.

5. Re-install the deck to the tractor.
6. This completes this service kit repair.
7. Test deck operation for proper engagement, disengagement and cutting capability.



G008351

Figure 1

- | | | | |
|---|-----------------------------------|---------------------|------------------|
| 1. Bolt, torque to 420 to 480 in-lb, 112-6081 | 3. Spacer, apply grease, 112-6082 | 5. Idler | 7. Nut, 112-0668 |
| 2. Washer, 112-0572 | 4. Spring A | 6. Washer, 112-0920 | 8. Spring B |