



Z528 Z Master[®] With 52in 7-Gauge Side Discharge Mower

Model No. 74237 - 270000001 and up.

Parts Catalog

Ordering Replacement Parts

To order replacement parts, please supply the part number, the quantity, and the description of each part desired.

Understanding Reference Numbers

Each identified part in an illustration has a reference number. The reference number for a part also appears in the parts list, along with other information about the part.

This catalog uses two special reference number formats, one to indicate parts in a service assembly and another to indicate the quantity of a given part in an illustration.

Service Assembly Reference Numbers

Parts in service assemblies have reference numbers in the form a:b. The a represents the reference number of the entire service assembly and the b represents a sequential number unique to each part within the service assembly.

For example, a wheel assembly might be identified by reference number 6, the tire by 6:1, the valve by 6:2, and the wheel by 6:3. When you order the assembly identified by reference number 6, you receive all parts identified by reference numbers 6:1, 6:2, and 6:3. However, you may also order any part individually. Reference numbers of this type appear in illustrations and in part lists.

Reference Numbers Indicating Quantity

In an illustration, if a reference number indicates more than one part, the reference number has the form nX y. The n represents the quantity of the part, the X is the multiplication symbol, and the y represents the reference number.

For example, in an illustration, the reference number 2X 37 means that two of the parts identified by reference number 37 are indicated.

Contents

Description	Page	Description	Page
Front Frame Assembly	3	Cylinder and Crankcase Assembly Kawasaki FH770D-AS05	27
Caster and Wheel Assembly	5	Piston and Crankshaft Assembly Kawasaki FH770D-AS05	28
Main Frame Assembly	6	Valve and Camshaft Assembly Kawasaki FH770D-AS05	29
Brake and Wheel Hub Assembly	7	Lubrication Equipment Assembly Kawasaki FH770D-AS05	30
Steering Control Assembly	8	Cooling Equipment Assembly Kawasaki FH770D-AS05	31
LH Motion Control Assembly No. 109-3906	9	Electric Equipment Assembly Kawasaki FH770D-AS05	32
RH Motion Control Assembly No. 109-3707	10	Control Equipment Assembly Kawasaki FH770D-AS05	33
Hydraulic System Assembly	11	Carburetor Assembly Kawasaki FH770D-AS05	34
Seat and Roll-Over Protection System Assembly	13	Air Filter and Muffler Assembly Kawasaki FH770D-AS05	35
Seat Assembly No. 110-5737	14	Fuel Tank and Valve Assembly Kawasaki FH770D-AS05	36
Roll-Over Protection System Assembly No.108-1097	15	Starter Assembly Kawasaki FH770D-AS05	37
Deck Connection Assembly	16	Power-Take-Off Assembly Kawasaki FH770D-AS05	38
Deck Assembly	17	Label Assembly Kawasaki FH770D-AS05	39
Spindle Assembly No. 107-8504	19	Attachments and Accessories List	40
Deck Decal Assembly No. 110-5551	20		
Rubber Deflector Assembly No. 108-7770	21		
Drive Idler Assembly	22		
Engine and Clutch Assembly	23		
Guard Assembly	24		
Fuel System Assembly	25		
Electrical Assembly	26		

Part Description Abbreviations

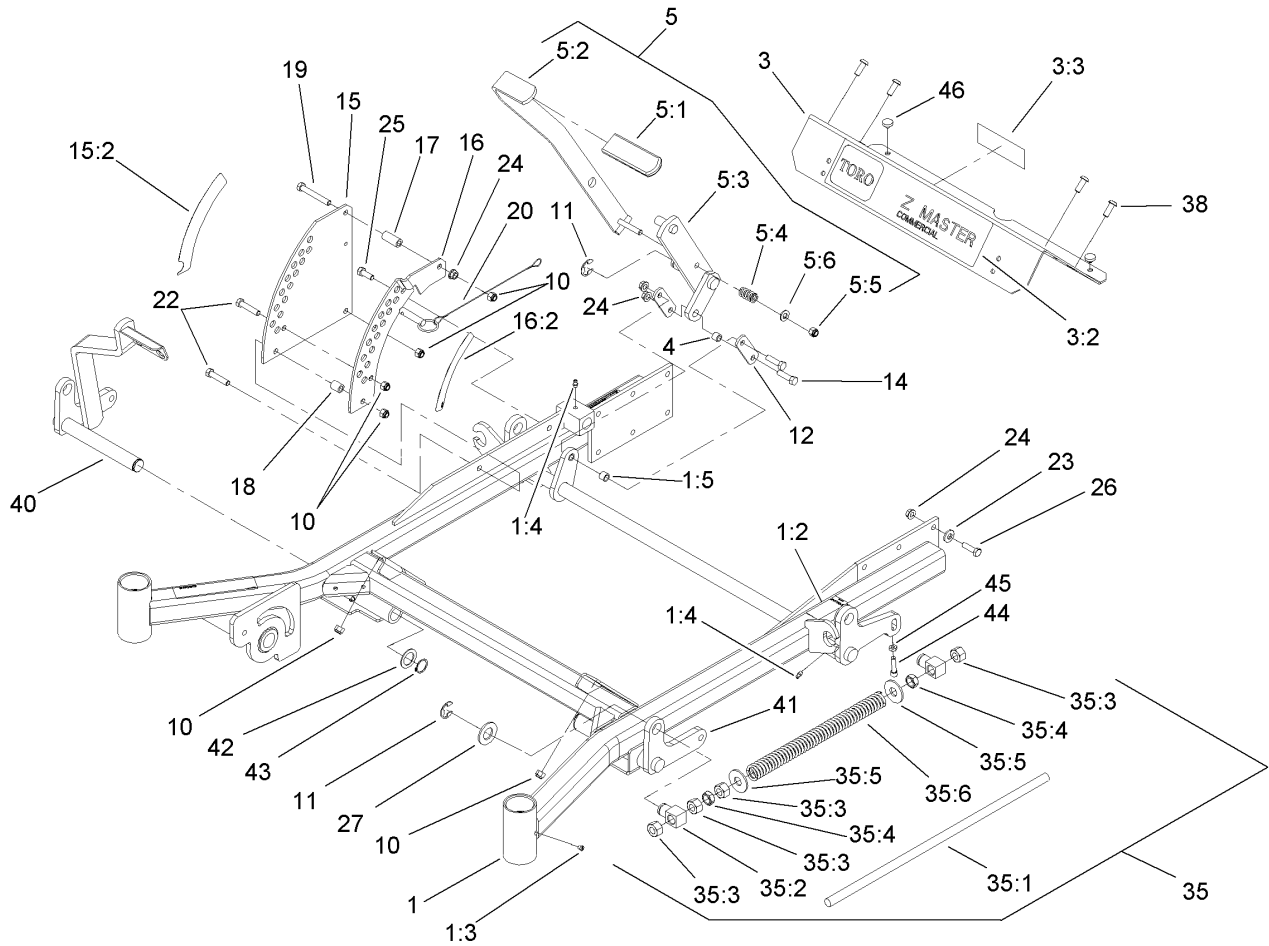
Part descriptions in this catalog may include the following abbreviations.

AR. as required	HYD. hydraulic
ASM. assembly	LH. left hand
BBC. blade brake clutch	NI. nylon insert
CARR. carriage	NPTF. national pipe thread fine
DEG. degrees	PFH. phillips flat head
EXT. external	PPH. phillips pan head
FH. flat head	PPHTF. phillips pan head thread forming
GA. gauge	PRH. phillips round head
HD. heavy-duty	PTH. phillips truss head
HF. hex flange	PTO. power-take-off
HH. hex head	RH. right hand
HHF. hex head flange	ROPS. roll-over protection system
HHFTF. hex head flange thread forming	SFH. slotted fillister head
HJ. hex jam	SHH. slotted hex head
HLH. hex lag head	SHWH. slotted hex washer head
HOC. height-of-cut	SPH. slotted pan head
HSBH. hex socket button head	SQH. square head
HSFH. hex socket flat head	SRH. slotted round head
HSH. hex socket head	STD. standard
HWH. hex washer head	TAP. self tapping
HWHTF. hex washer head thread forming	TTH. torx truss head

Footnotes

- ❶ Not illustrated
- ❷ Obtain from your local Kawasaki dealer

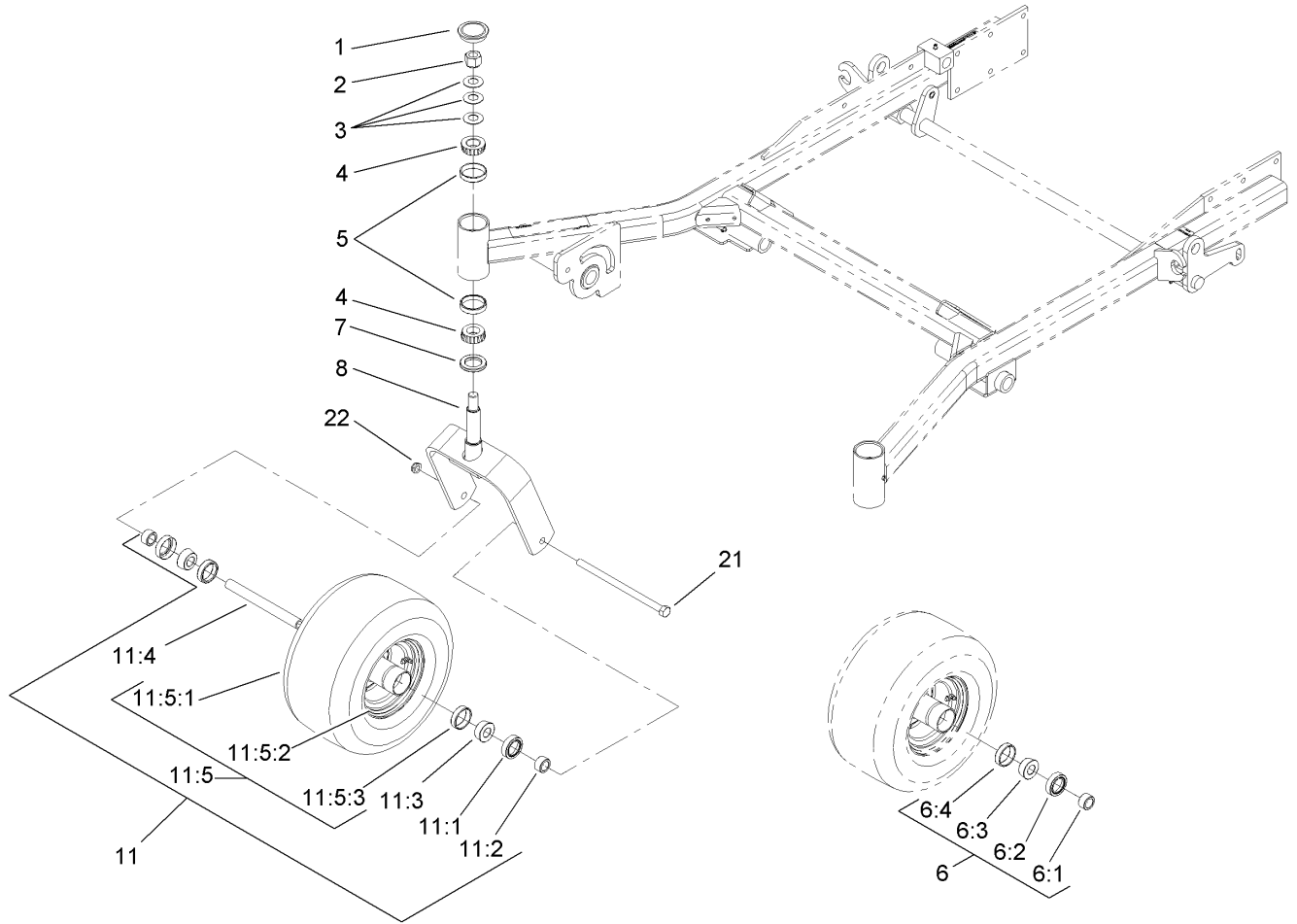
- ❸ Not serviced separately



Front Frame Assembly

Ref	Part No.	Qty.	Description
1	106-8978	1	Frame ASM
1:2	107-1857	1	Decal-Brake, Parking
1:3	1-811010	2	Plug
1:4	302-19	5	Fitting-Grease
1:5	103-1918	1	Bushing
3	106-9981	1	Footrest
3:2	106-7451	1	Decal
3:3	107-2112	1	Decal-Warning
4	103-1918	1	Bushing
5	110-5860	1	Deck Lift Handle ASM
5:1	1-633295	1	Grip-Lever, Lift
5:2	103-2083	1	Lever-Lift
5:3	103-2064	1	Arm-Lift, Deck
5:4	1-633325	1	Spring-Compression
5:5	3296-39	1	Nut-Lock, NI
5:6	3256-24	1	Washer-Flat
10	3296-39	8	Nut-Lock, NI
11	32151-103	5	Ring-Retaining, EXT
12	1-633068	2	Arm-Lift, Deck
14	323-29	2	Screw-HH
15	110-0833	1	Plate-Deck Lift, Outer
15:2	107-1860	1	Decal-Height, Deck
16	110-0834	1	Plate-Deck Lift, Inner
16:2	107-1861	1	Decal-Height, Deck

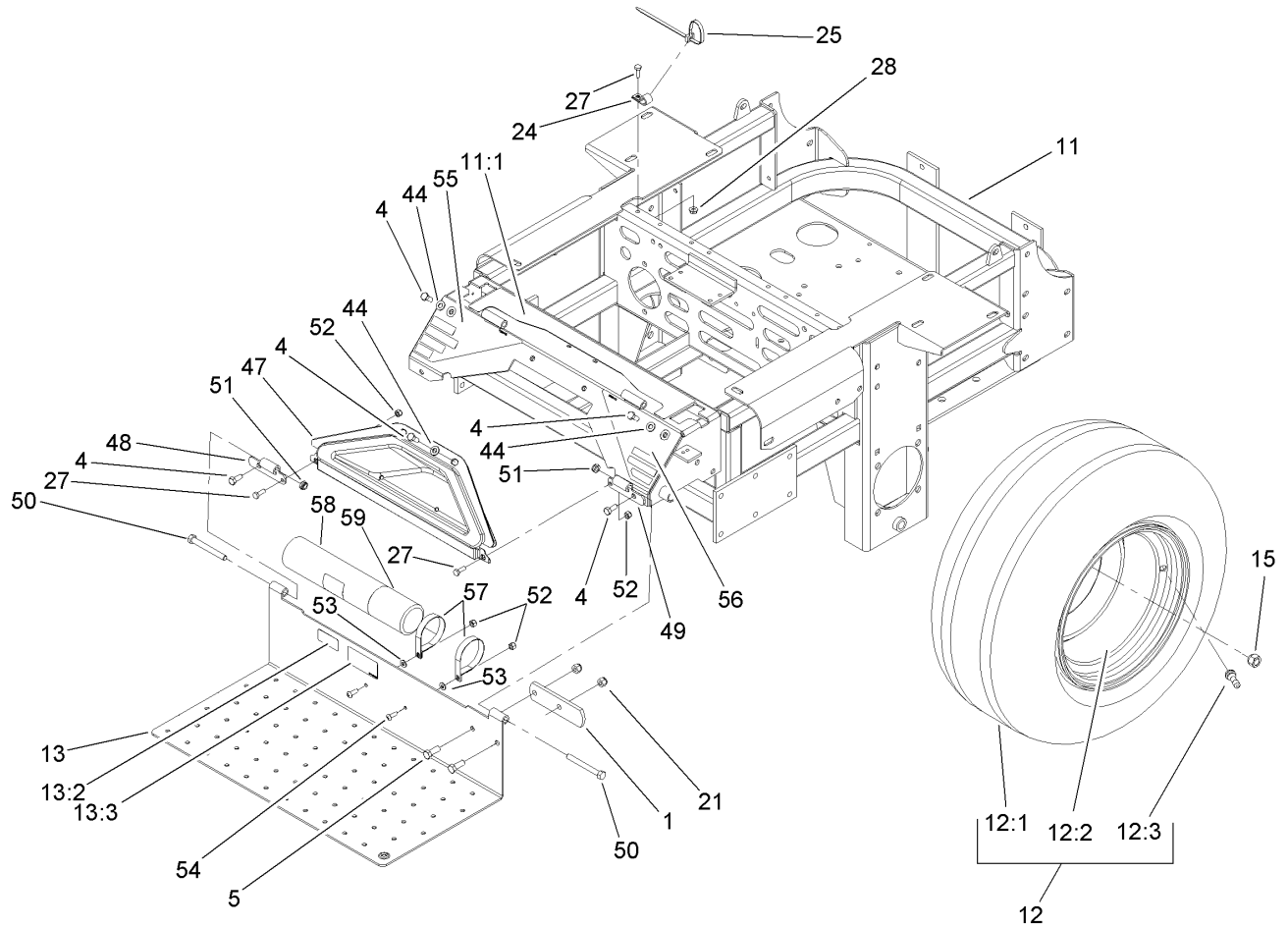
Ref	Part No.	Qty.	Description
17	1-633082	1	Bushing-Lever, Lift
18	1-633080	1	Bushing-Lever, Lift
19	323-13	1	Screw-HH
20	106-9951	1	Hitch Pin ASM
22	323-9	2	Screw-HH
23	98-5975	12	Washer-Belleville
24	3290-357	15	Nut-HHF, Whiz
25	323-6	1	Screw-HH
26	323-7	12	Screw-HH
27	3256-29	4	Washer-Flat
35		2	Front Frame Spring ASM
35:1	1-633096	1	Rod-Lift, Deck
35:2	1-633441	2	Swivel-Deck Mount, Rear
35:3	3217-11	4	Nut-Hex
35:4	3218-6	2	Nut-Jam
35:5	3256-7	2	Washer-Flat
35:6	1-633064	1	Spring-Support, Deck
38	3274-94	4	Screw-HSBH
40	110-4156-01	1	RH Deck Lift ASM
41	106-8984-01	1	LH Deck Lift ASM
42	1-523157	2	Washer-Spacer
43	32151-29	2	Ring-Retaining
44	3274-18	2	Screw-HSH
45	3218-2	2	Nut-Jam



Caster and Wheel Assembly

Ref	Part No.	Qty.	Description
1	103-4882	2	Cap-Grease
2	3296-51	2	Nut-Lock, NI
3	1-633508	6	Washer-Bellville
4	254-94	4	Bearing-Cone, Tapered
5	254-72	4	Bearing-Cup, Tapered
6	110-8837	1	Caster Wheel Bearing Kit
6:1	1-633581	2	Spacer-Bearing
6:2	1-633580	2	Seal-Bearing
6:3	1-633584	2	Bearing-Cup
6:4	1-633585	2	Bearing-Cone, Taper
7	1-543511	2	Seal-Grease
8	1-642111-01	2	Caster
11	1-644251	2	Caster Wheel ASM
11:1	1-633580	2	Seal-Bearing
11:2	1-633581	2	Spacer-Bearing
11:3	1-633585	2	Bearing-Cone, Taper
11:4	1-633959	1	Spacer-Caster, Front
11:5		1	Wheel And Tire ASM
11:5:1	1-523009	1	Tire
11:5:2	1-633987	1	Wheel
11:5:3	1-633584	2	Bearing-Cup
21	325-24	2	Screw-HH
22	3296-45	2	Nut-Lock, NI

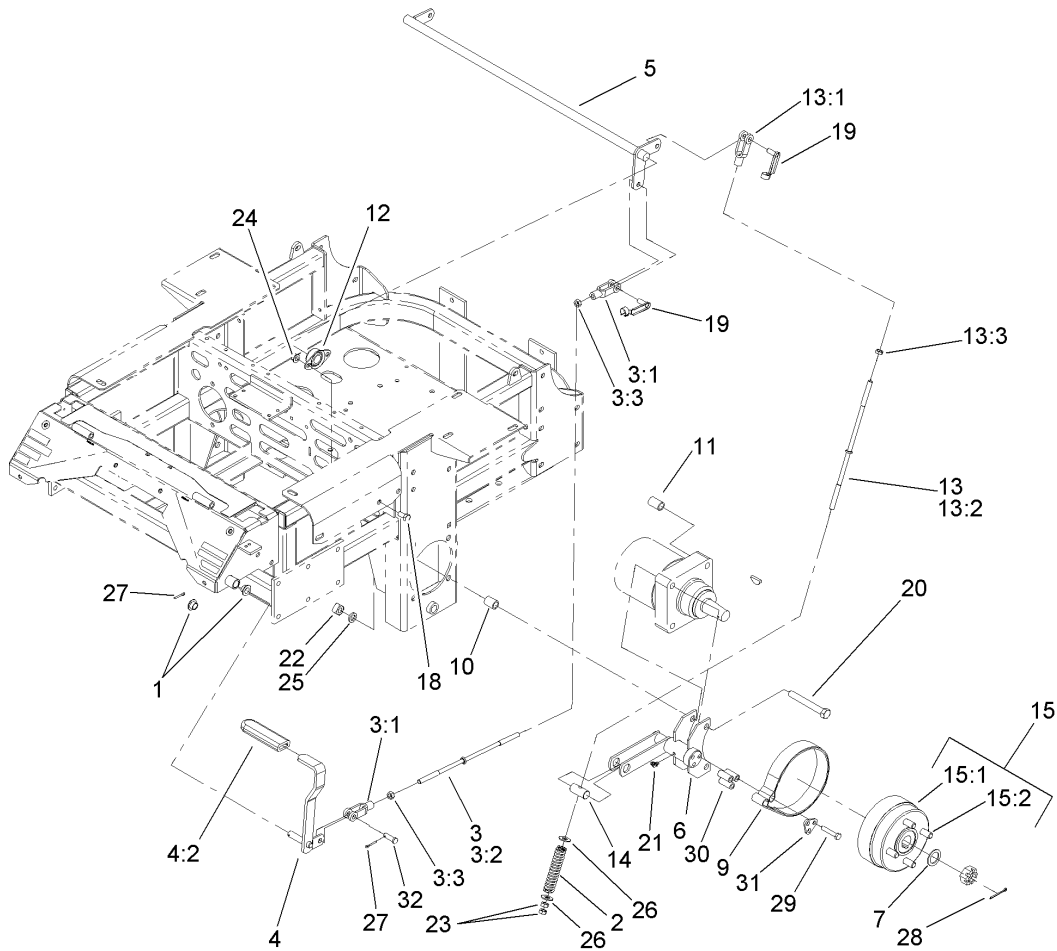
Ref	Part No.	Qty.	Description



Main Frame Assembly

Ref	Part No.	Qty.	Description
1	1-633964-03	1	Stop-Brake, Park
4	322-43	6	Screw-HH
5	323-6	2	Screw-HH
11	112-9000	1	Main Frame ASM
11:1	107-8076	1	Decal-Console, Top
12	1-653010	2	Wheel And Tire ASM
12:1	1-653160	1	Tire
12:2	1-653158	1	Wheel
12:3	232-27	1	Stem-Valve
13	107-1858	1	Floorpan
13:2	98-4387	1	Decal-Protection, Ear
13:3	107-1864	1	Decal-Location, Manual
15	242-50	8	Nut-Lug
21	3296-39	2	Nut-Lock, NI
24	1-513762	1	Clip-Loom
25	1-303335	1	Tie-Plastic
27	321-4	3	Screw-HH
28	32128-33	1	Nut-HF
44	3256-70	6	Washer-Flat
47	106-7498	1	Pocket
48	106-7488-03	1	Hinge-Floorpan, LH
49	106-7489-03	1	Hinge-Floorpan, RH
50	323-20	2	Screw-HH
51	3296-59	2	Nut-Lock, NI

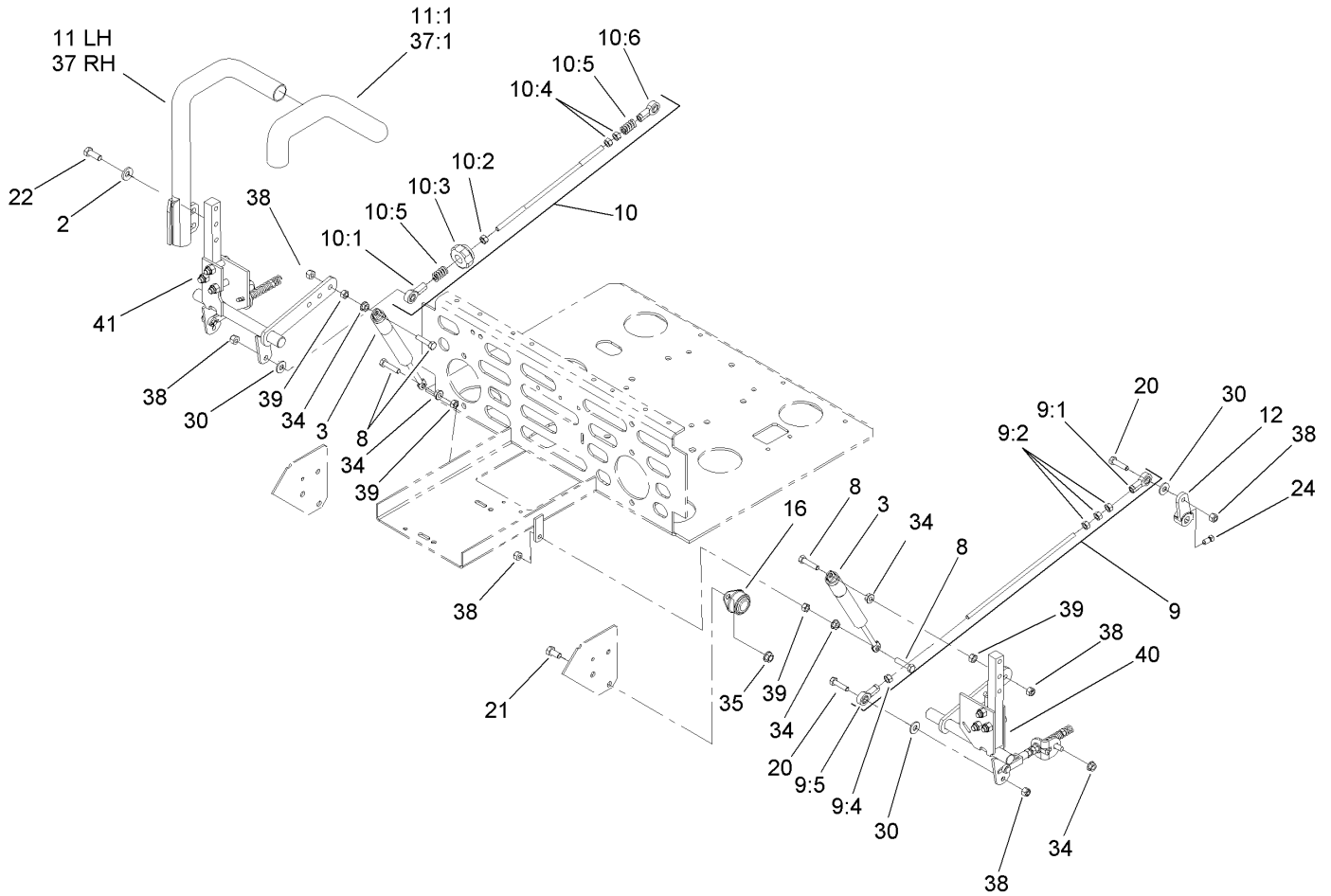
Ref	Part No.	Qty.	Description
52	3296-42	4	Nut-Lock, NI
53	3256-63	2	Washer-Flat
54	3258-166	2	Screw-PRH
55	106-9989	1	Decal-Warning
56	106-7492	1	Decal-Danger
57	107-1865	2	R-Clamp
58	104-7050	1	Housing-Manual
59	104-7048	1	Cap-Housing



Brake and Wheel Hub Assembly

Ref	Part No.	Qty.	Description
1	1-513140	2	Bearing-Control
2	1-633454	2	Spring-Brake
3	103-4332	1	Brake Rod And Yoke ASM
3:1	1-633131	2	Yoke-Linkage, Brake
3:2	1-633477	1	Rod-Brake
3:3	3219-3	2	Nut-Hex
4	1-634500	1	Brake Lever ASM
4:2	1-633268	1	Grip-Lever, Brake
5	1-632217-03	1	Shaft-Brake
6	103-0352-03	2	Bracket-Brake
7	1-523157	2	Washer-Spacer
9	103-0355	2	Band-Brake
10	1-633380	4	Spacer-Wheel, Short
11	1-633382	4	Spacer-Wheel, Long
12	1-633102	2	Bearing-Flange, Side
13	103-4333	2	Brake Rod And Yoke ASM
13:1	1-633131	1	Yoke-Linkage, Brake
13:2	1-633477	1	Rod-Brake
13:3	3219-3	1	Nut-Hex
14	1-633144	2	Pin-Trunion
15	103-0590	2	Hub And Wheel ASM
15:1	103-0589	1	Wheel Hub ASM
15:2	1-633926	4	Stud-Wheel
18	323-4	4	Screw-HH

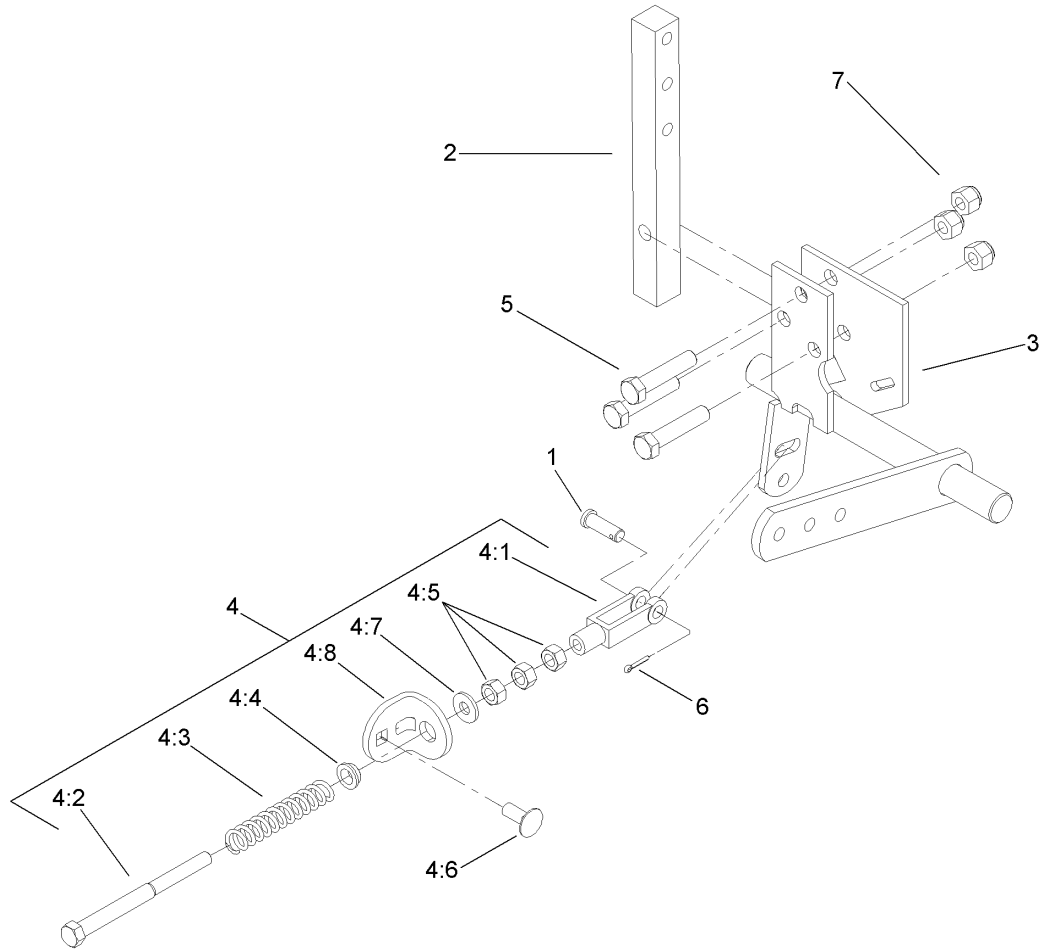
Ref	Part No.	Qty.	Description
19	103-2399	3	Pin-Spring, Clevis
20	325-17	8	Screw-HH
21	1481	2	Fitting-Grease
22	103-0131	8	Nut-Square
23	3219-3	4	Nut-Hex
24	3290-357	4	Nut-HHF, Whiz
25	3253-7	8	Washer-Lock
26	3256-4	4	Washer-Flat
27	3272-10	2	Pin-Cotter
28	1-806800	2	Pin-Cotter
29	322-9	6	Screw-HH
30	103-0384	6	Spacer
31	103-0374	2	Retainer-Band, Brake
32	1-808285	1	Pin-Clevis



Steering Control Assembly

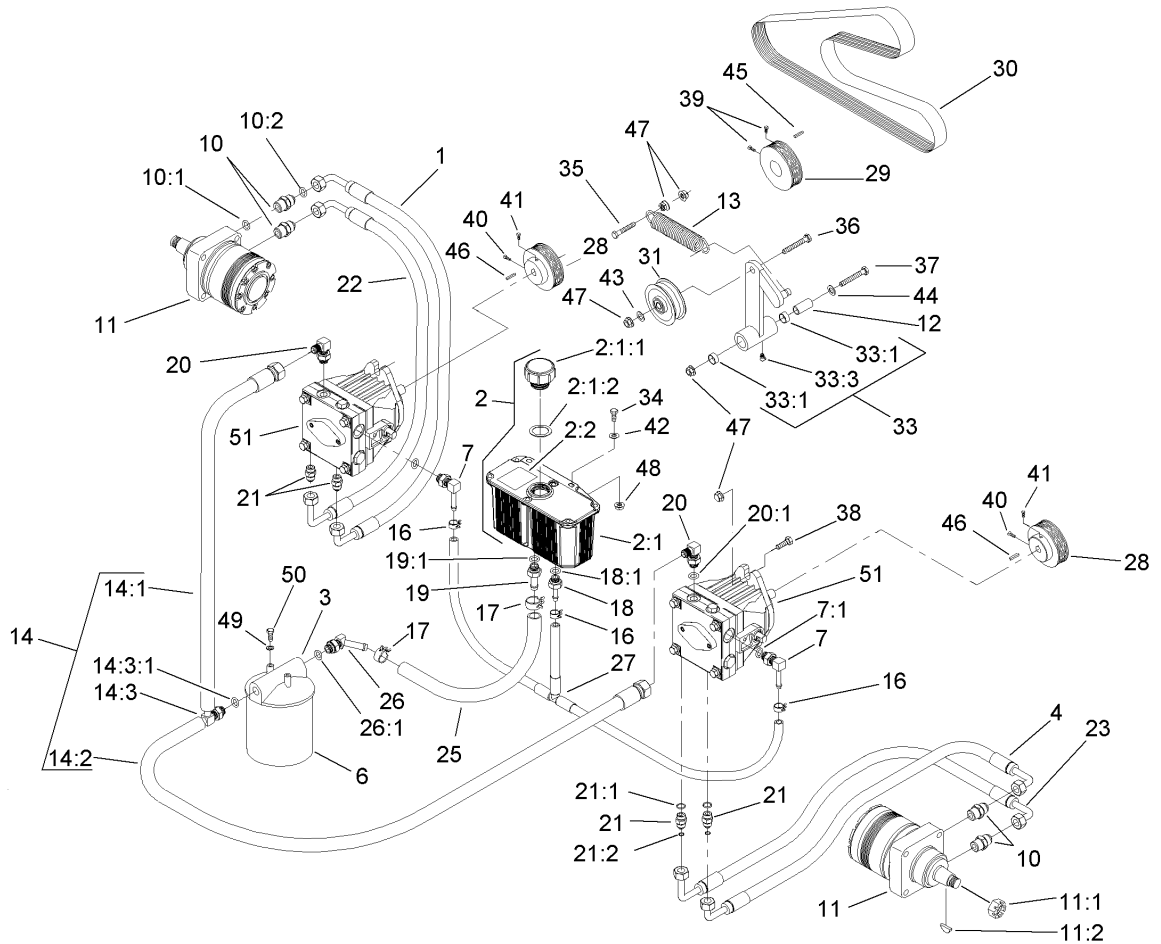
Ref	Part No.	Qty.	Description
2	98-5975	4	Washer-Belleville
3	109-2339	2	Damper-Control, Motion
8	1-403180	4	Screw-HH
9	103-4331	1	Tracking Rod ASM
9:1	1-543017	1	Balljoint-RH
9:2	3219-2	3	Nut-Hex
9:4	1-804524	1	Nut
9:5	1-633152	1	Balljoint-LH
10	103-4330	1	Tracking Rod ASM
10:1	1-543017	1	Balljoint-RH
10:2	3219-2	1	Nut-Hex
10:3	103-3060	1	Knob-Tracking
10:4	1-804524	2	Nut
10:5	1-323245	2	Spring-Compression
10:6	1-633152	1	Balljoint-LH
11	103-0631	1	LH Lever ASM
11:1	1-633257	1	Grip-Control, Motion
12	1-632208	2	Arm-Control, Pump
16	1-633102	4	Bearing-Flange, Side
20	322-6	4	Screw-HH
21	323-4	8	Screw-HH
22	323-6	4	Screw-HH
24	1-803022	2	Screw-Set
30	3256-3	4	Washer-Flat

Ref	Part No.	Qty.	Description
34	32128-20	6	Nut-HF
35	3290-357	8	Nut-HHF, Whiz
37	103-0632	1	RH Lever ASM
37:1	1-633257	1	Grip-Control, Motion
38	3296-29	8	Nut-Lock, NI
39	3217-6	4	Nut-Hex
40	109-3906	1	LH Motion Control ASM
41	109-3907	1	RH Motion Control ASM



LH Motion Control Assembly No. 109-3906

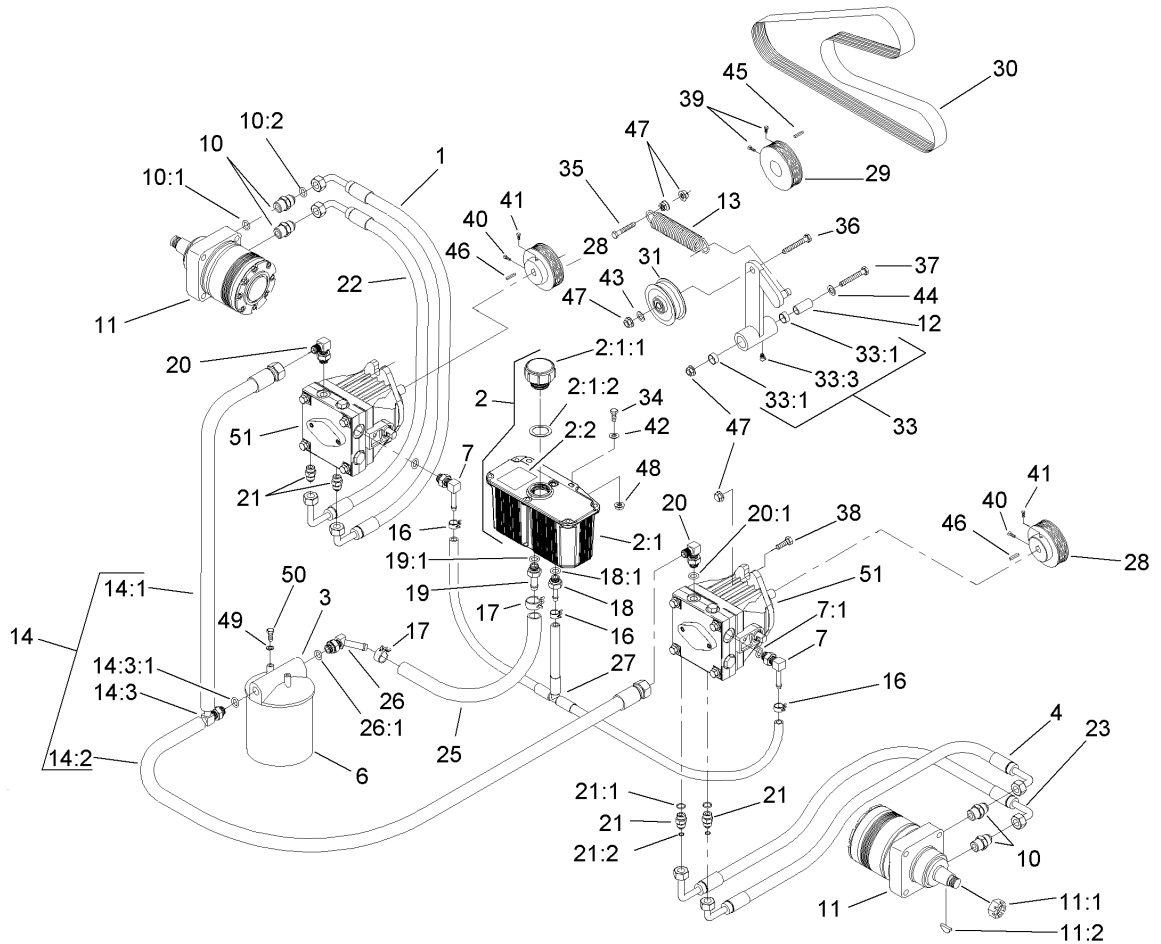
Ref	Part No.	Qty.	Description
1	1-808280	1	Pin-Clevis
2	103-0407	1	Arm-Shaft, Control
3	109-3902	1	Control-Motion, LH
4	109-3903	1	Neutral Return ASM
4:1	1-303105	1	Yoke-Adjustable
4:2	1-603737	1	Bolt-Return, Neutral
4:3	1-603807	1	Spring-Return, Neutral
4:4	109-3769	1	Bushing-Nylon, Flanged
4:5	3219-2	3	Nut-Hex
4:6	3230-23	1	Screw-CARR
4:7	3256-2	1	Washer-Flat
4:8	109-3908	1	Tab-Adjustment
5	323-9	3	Screw-HH
6	3272-5	1	Pin-Cotter
7	3296-39	3	Nut-Lock, NI



Hydraulic System Assembly

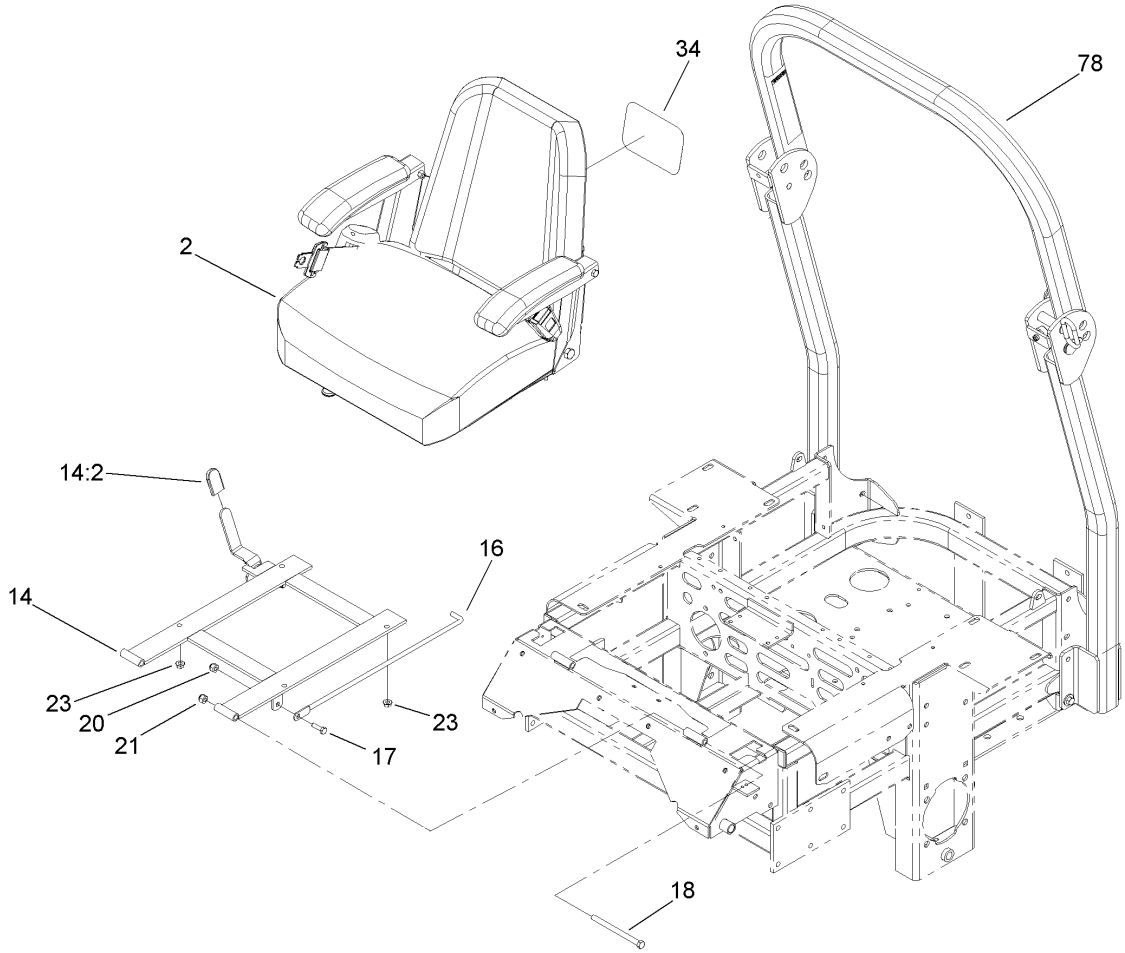
Ref	Part No.	Qty.	Description
1	103-3736	1	HYD Hose ASM
2	103-1947	1	HYD Reservoir ASM
2:1		1	Reservoir-HYD
2:1:1	103-1948	1	Cap-Reservoir, HYD
2:1:2	103-1949	1	Gasket-Cap
2:2	1-523552	1	Decal-Tank, HYD
3	104-7836	1	Head-Filter
4	103-3733	1	HYD Hose ASM
6	1-633752	1	Filter-HYD, Winter
6	1-633750	1	Filter-Oil, HYD
7	103-1799	2	Elbow-90 DEG
7:1	237-42	1	O-Ring
10	1-603991	4	Fitting-Straight
10:1	237-80	1	O-Ring
10:2	1-603992	1	O-Ring
11	1-523328	2	Motor-Wheel
11:1	1-809036	1	Nut-HH
11:2	3257-42	1	Key-Woodruff
11:99	1-000099	1	Seal Kit
11:99	1-000139	1	Bearing Kit
11:99	103-2748	1	Drive Link Kit
12	1-603384	1	Bushing-Pivot, Idler
13	103-3330	1	Spring-Extension
14	109-1936	1	Pump Inlet Hose ASM

Ref	Part No.	Qty.	Description
14:1	103-1826	1	HYD Hose ASM
14:2	103-1827	1	HYD Hose ASM
14:3	103-1828	1	Adapter-Run, Tee
14:3:1	237-42	1	O-Ring
16	103-1716	3	Clamp-Hose
17	103-1988	2	Clamp-Hose
18	103-1801	1	Adapter-Straight
18:1	237-42	1	O-Ring
19	103-1912	1	Adapter-Straight
19:1	237-42	1	O-Ring
20	103-1802	2	Fitting-HYD, 90 DEG
20:1	1-603921	1	O-Ring
21	1-603990	4	Fitting-Straight
21:1	1-603920	1	O-Ring
21:2	1-603992	1	O-Ring
22	103-3737	1	HYD Hose ASM
23	103-3735	1	HYD Hose ASM
25	103-1808	1	Hose-HYD
26	103-1807	1	Elbow-45 DEG
26:1	237-42	1	O-Ring
27	103-1806	1	HYD Hose ASM
28	103-6907	2	Sheave
29	1-633567	1	Sheave
30	103-7445	1	Belt-V



Hydraulic System Assembly (continued)

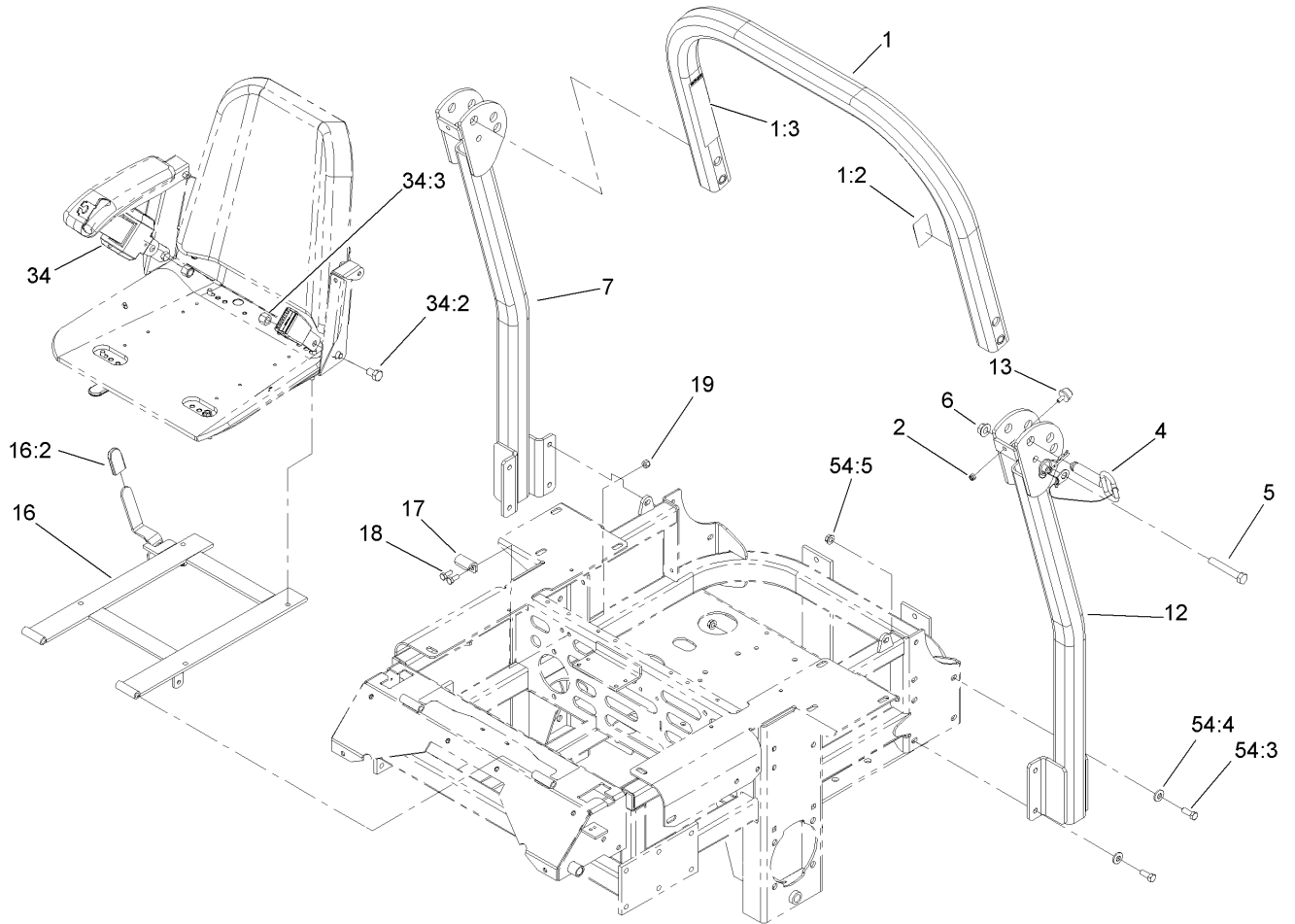
Ref	Part No.	Qty.	Description
31	1-633167	1	Sheave-Idler
33	1-634277	1	Bearing Arm ASM
33:1	1-513034	2	Sleeve-Bearing
33:3	302-40	1	Fitting-Grease
34	321-6	2	Screw-HH
35	323-8	1	Screw-HH
36	323-9	1	Screw-HH
37	1-800805	1	Screw-HH
38	323-7	4	Screw-HH
39	1-803022	2	Screw-Set
40	30-1710	2	Screw
41	1-803050	2	Screw-Set
42	3256-22	2	Washer-Flat
43	3256-3	1	Washer-Flat
44	3256-4	1	Washer-Flat
45	13-2840	1	Key-Square
46	5-1077	2	Key-Square
47	3290-357	8	Nut-HHF, Whiz
48	32128-33	2	Nut-HF
49	1-805004	2	Washer-Lock
50	321-3	2	Screw-HH
51	110-4150	2	Pump-HYD



Seat and Roll-Over Protection System Assembly

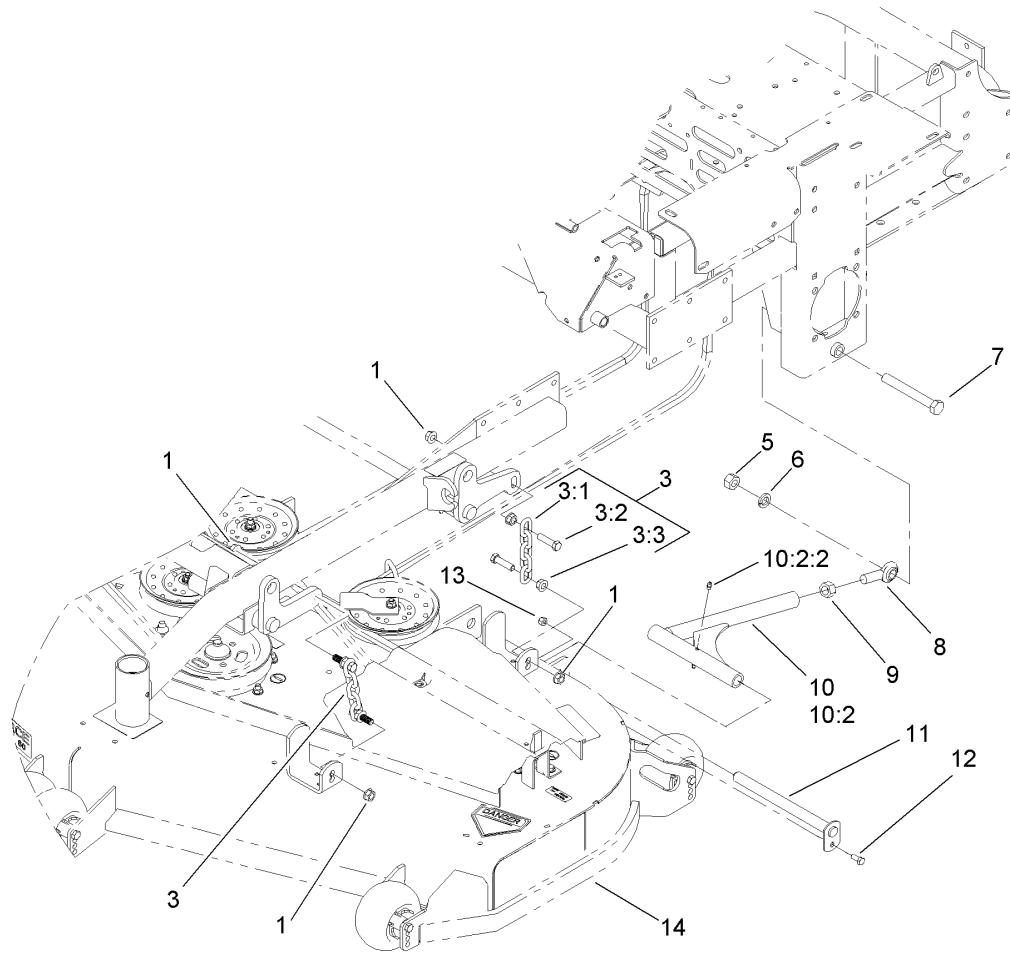
Ref	Part No.	Qty.	Description
2	110-5737	1	Seat ASM
14	110-5850	1	Seat Frame And Latch ASM
14:2	103-4434	1	Grip-Lever
16	1-633293	1	Rod-Holdup, Seat
17	322-5	1	Screw-HH
18	323-39	2	Screw-HH
20	3296-29	3	Nut-Lock, NI
21	3296-39	2	Nut-Lock, NI
23	32128-20	4	Nut-HF
34	99-4693	1	Decal
78	108-1097	1	ROPS ASM

--	--	--	--



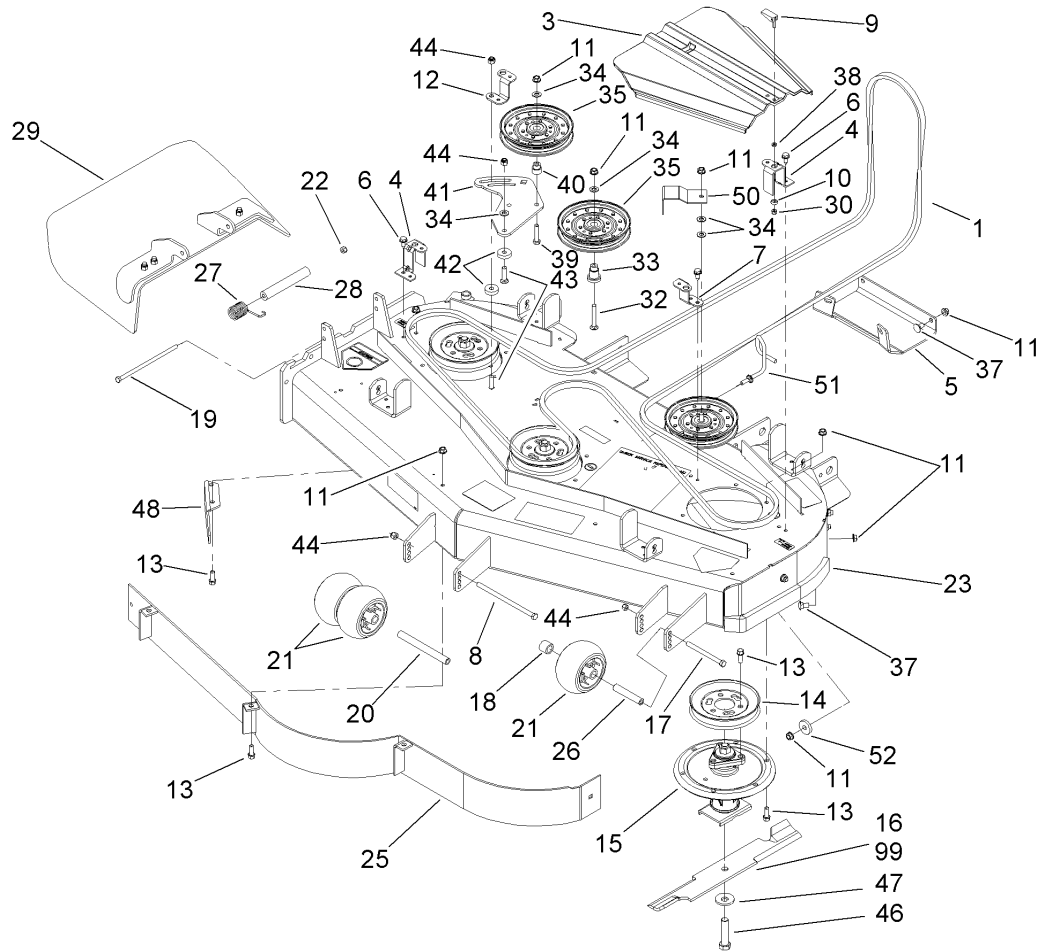
Roll-Over Protection System Assembly No.108-1097

Ref	Part No.	Qty.	Description
①		1	Upper Tube ASM
1:2	107-2101	1	Decal-ROPS
1:3	107-2102	1	Decal-Warning, Folding ROPS
2	3296-73	2	Nut-Lock, NI
4	103-4553	2	ROPS Fold Pin ASM
5	325-13	2	Screw-HH
6	32128-23	2	Nut-HF
②		1	Tube-Support, RH
②		1	Tube-Support, LH
13	109-2365	2	Bumper-Rubber (W/Stud)
16	110-5850	1	Seat Frame And Latch ASM
16:2	103-4434	1	Grip-Lever
17	107-3058	1	Catch-Latch, Seat
18	322-3	2	Screw-HH
19	3296-29	2	Nut-Lock, NI
34	110-0883	1	Retractable Seatbelt Kit
34:2	3212-4	2	Screw-HH
34:3	3296-7	2	Nut-Lock
①	②	1	ROPS Bolt Package ASM
54:3	323-6	8	Screw-HH
54:4	98-5975	8	Washer-Belleville
54:5	3290-357	8	Nut-HHF, Whiz



Deck Connection Assembly

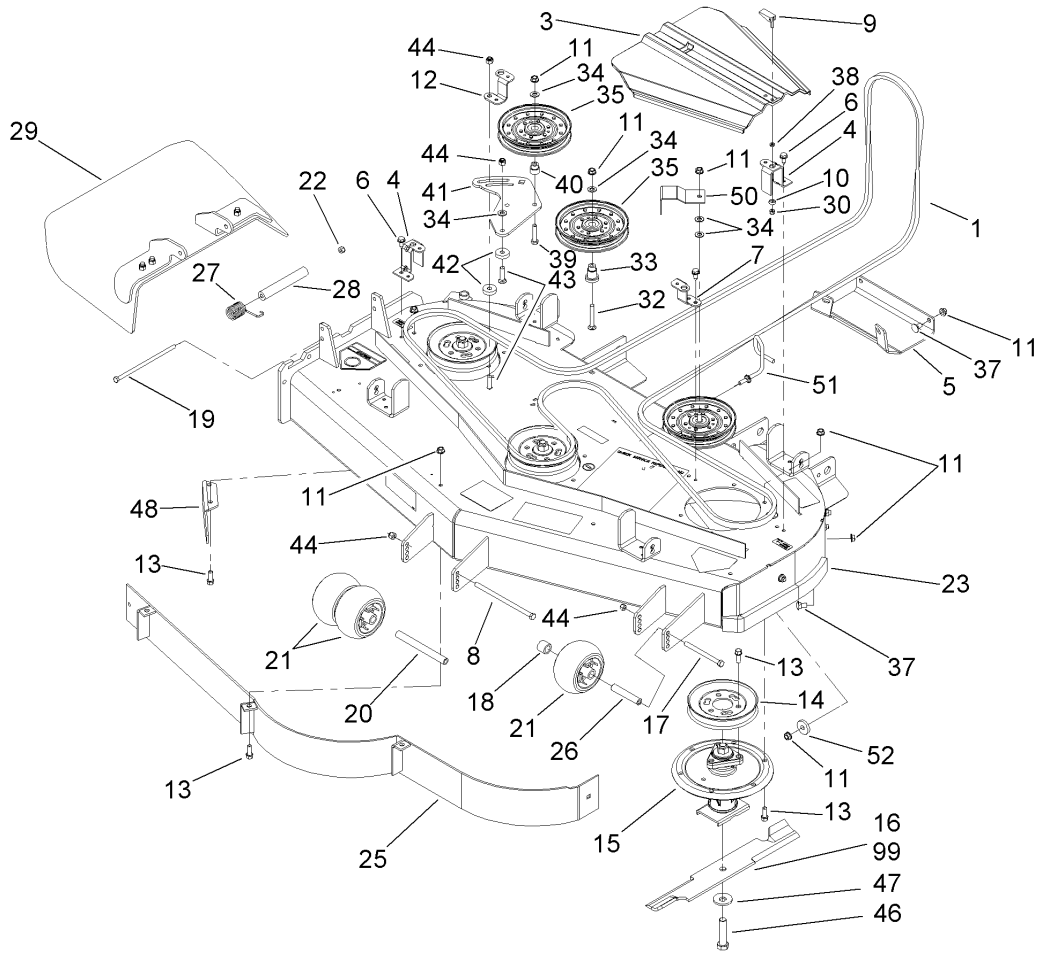
Ref	Part No.	Qty.	Description	
1	32128-37	8	Nut-HF	
3	103-9792	4	Deck Chain ASM	
3:1	1-633447	1	Chain-Lift, Deck	
3:2	103-1898	2	Screw-HH	
3:3	32128-37	2	Nut-HF	
5	3217-11	2	Nut-Hex	
6	3253-8	2	Washer-Lock	
7	327-11	2	Screw-HH	
8	1-633029	2	Balljoint-Spherical	
9	3219-6	2	Nut-Hex	
10	109-1181	2	Strut-Deck	
②10:2		1	Tube And Zerk ASM	
10:2:2	109-1380	2	Fitting-Grease	
11	1-632199-01	2	Pin-Strut	
12	322-3	2	Screw-HH	
13	3296-29	2	Nut-Lock, NI	
②14		1	Deck ASM	



Deck Assembly

Ref	Part No.	Qty.	Description
1	105-7790	1	Belt
3	107-8536	2	Cover-Belt
4	108-4121-01	2	Bracket-Cover
5	106-7358-01	1	Plate-Skid
6	32144-70	3	Screw-HWHTF
7	108-2177-01	1	Bracket-Cover, Tall
8	323-28	1	Screw-HH
9	106-6777	2	Handle-Latch, Swell
10	106-6778	2	Bushing-Latch, Swell
11	3290-357	39	Nut-HHF, Whiz
12	108-2178-01	1	Bracket-Cover, Short
13	92-1624	32	Screw
14	105-7735	3	Pulley
15	107-8504	3	Spindle ASM
16	105-7781-03	3	Blade-18 Inch (Hi Flow)
17	323-23	1	Screw-HH
18	98-7913	1	Tube-Spacer
19	322-50	1	Screw-HH
20	98-5967	1	Spacer-Wheel
21	1-603299	3	Roller-Scalp, Anti
22	3296-29	1	Nut-Lock, NI
23	110-5551	1	Deck ASM
25	108-2185-01	1	Baffle ASM
26	98-7912	1	Tube-Spanner

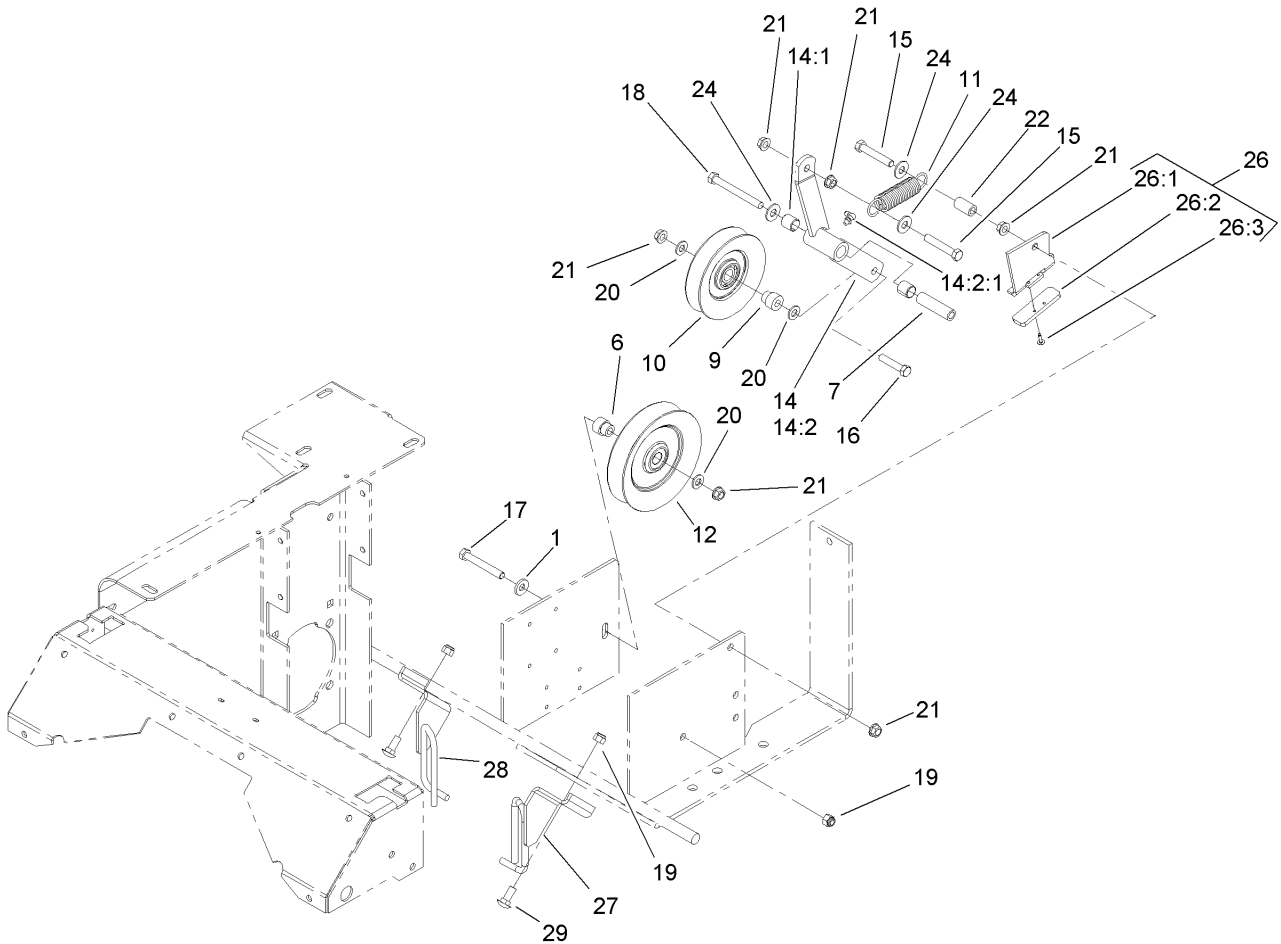
Ref	Part No.	Qty.	Description
27	108-4052	1	Spring-Torsion
28	105-4622	1	Spacer
29	108-7770	1	Rubber Deflector ASM
30	1-804254	2	Nut
32	3231-31	2	Screw-CARR
33	106-3214	2	Mount-Pulley
34	3256-24	5	Washer-Flat
35	1-633109	3	Idler-Flat
37	3231-1	12	Screw-CARR
38	99-3058	2	Washer
39	323-9	1	Screw-HH
40	1-603496	1	Bushing-Idler
41	107-8516-01	1	Plate-Idler
42	105-7788	2	Spacer
43	3231-4	2	Screw-CARR
44	3296-39	4	Nut-Lock, NI
46	103-0862	3	Screw-Cap
47	103-0865	3	Washer-Blade Bolt, Heavy
48	106-3216-01	1	Baffle-Discharge
50	108-7220-01	1	Guide-Belt
51	106-3220	1	Guide-Belt
52	112843	1	Washer
●99	105-7794-03	1	Blade-Med Flow
●99	105-7795-03	1	Blade-Low Flow



Deck Assembly (continued)

Ref	Part No.	Qty.	Description
●99	105-7796-03	1	Blade-Atomic
●99	105-7779-03	1	Blade-Recycler

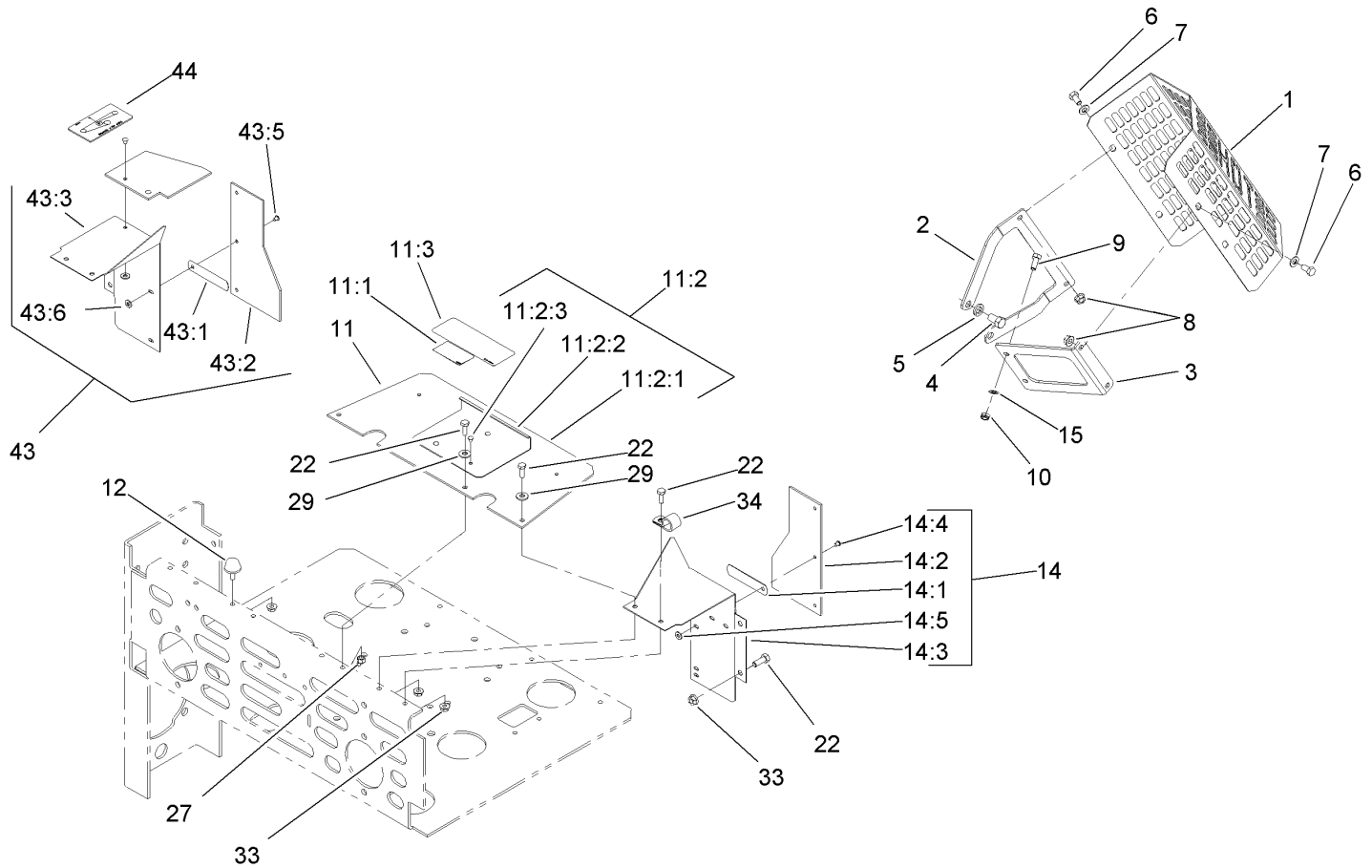
--	--	--	--



Drive Idler Assembly

Ref	Part No.	Qty.	Description
1	98-5975	1	Washer-Belleville
6	103-2627	1	Bushing-Idler
7	1-603384	1	Bushing-Pivot, Idler
9	1-603496	1	Bushing-Idler
10	99-4638	1	Idler
11	1-603402	1	Spring-Extension
12	1-633166	1	Pulley-Idler
14	103-3147	1	Arm ASM
14:1	1-513034	2	Sleeve-Bearing
14:2		1	Arm-Idler
14:2:1	302-40	1	Fitting-Grease
15	323-12	2	Screw-HH
16	323-9	1	Screw-HH
17	323-13	1	Screw-HH
18	1-800805	1	Screw-HH
19	3296-39	3	Nut-Lock, NI
20	3256-24	3	Washer-Flat
21	3290-357	6	Nut-HHF, Whiz
22	1-603401	1	Spacer-Fender
24	3256-4	3	Washer-Flat
26	106-3271	1	Travel Limiter ASM
26:1	106-3228-03	1	Plate-Limiter, Pulley
26:2	106-3229	1	Pad-Bumper
26:3	3269-24	2	Rivet

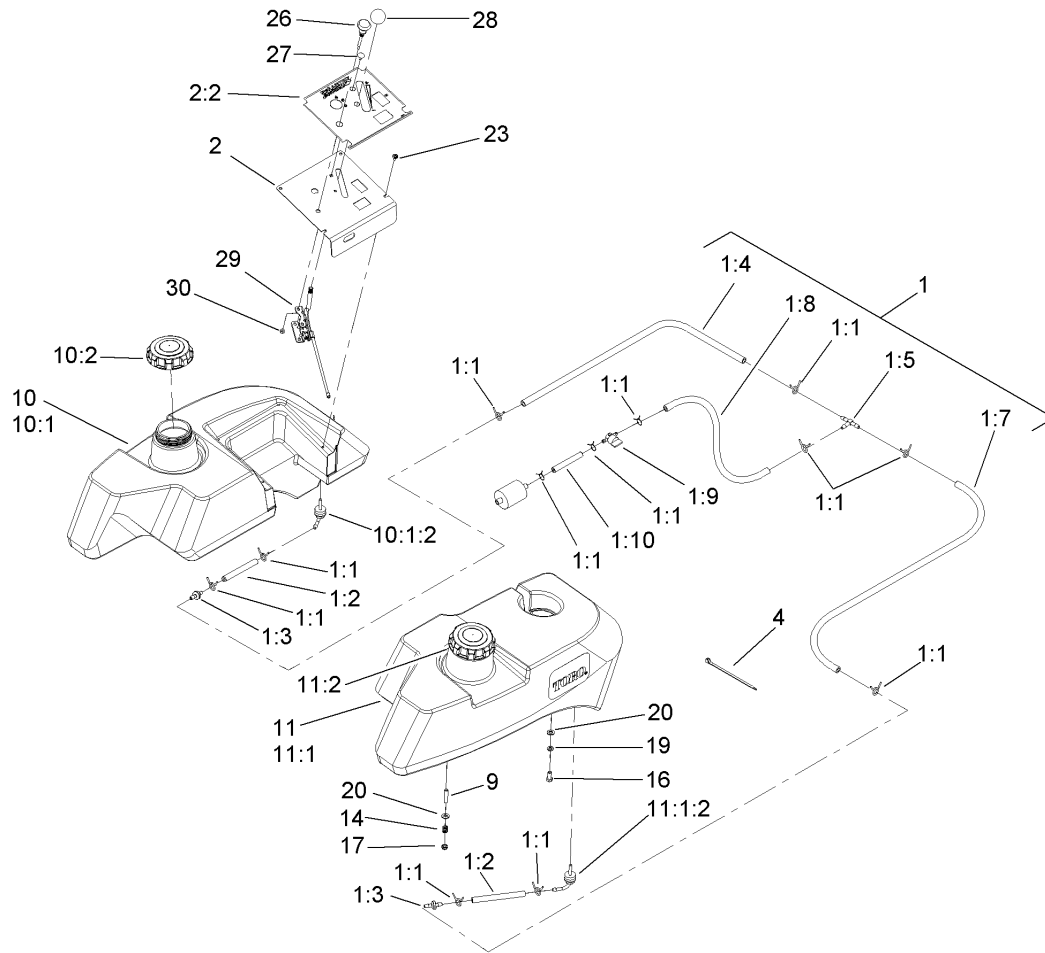
Ref	Part No.	Qty.	Description
27	108-7204-03	1	Guide-Belt, LH
28	108-7229-03	1	Guide-Belt, RH
29	3231-2	2	Screw-CARR



Guard Assembly

Ref	Part No.	Qty.	Description
1	112-8346-03	1	Guard-Muffler
2	112-8347-03	1	Bracket-Mount, Muffler
3	112-8348-03	1	Bracket-Support, Muffler
4	324-2	2	Screw-HH
5	3253-6	2	Washer-Lock
6	322-2	4	Screw-HH
7	3256-23	4	Washer-Flat
8	32128-20	4	Nut-HF
9	33104-025	2	Screw-HHF
10	33004-00	2	Nut-HF
11	105-6196	1	Shield ASM
11:1	1-633462	1	Decal-Important
11:2	103-1301	1	Drive Cover ASM
11:2:1	103-1308	1	Shield-Engine
11:2:2	103-1304-03	1	Plate-Cover, Drive
11:2:3	1-803035	5	Rivet-Pop
11:3	103-5881	1	Decal-Devices, Rotating
12	109-2365	2	Bumper-Rubber (W/Stud)
14	103-0241	1	LH Extended Shield ASM
14:1	1-523285	2	Clip-Baffle, Rear
14:2	103-0243	1	Shield
14:3	1-633795-03	1	Baffle-Engine Shield, LH
14:4	1-803035	3	Rivet-Pop
14:5	3256-63	3	Washer-Flat

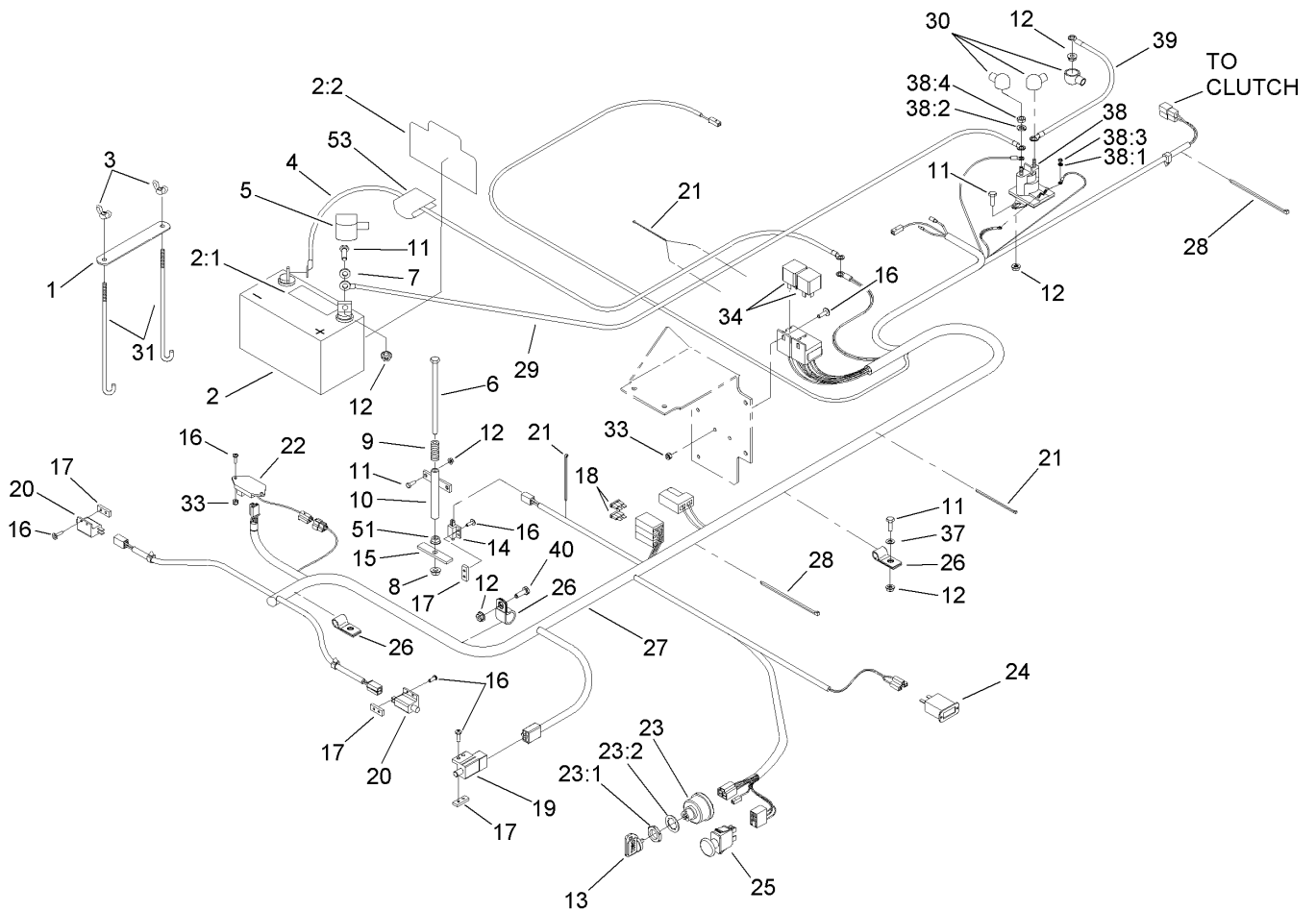
Ref	Part No.	Qty.	Description
15	42-9850	2	Washer-Lock, Spring
22	321-4	10	Screw-HH
27	3296-42	4	Nut-Lock, NI
29	3256-2	4	Washer-Flat
33	32128-33	5	Nut-HF
34	1-633396	1	Clip-Loom
43	103-0242	1	RH Extended Shield ASM
43:1	1-523285	2	Clip-Baffle, Rear
43:2	103-0243	1	Shield
43:3	1-633794-03	1	Shield-RH
43:5	1-803035	3	Rivet-Pop
43:6	3256-63	3	Washer-Flat
44	1-643339	1	Decal-Routing, Belt



Fuel System Assembly

Ref	Part No.	Qty.	Description
1	107-9285	1	Fuel Line ASM
1:1	1-303077	12	Clamp
1:2	109-0678	2	Hose-Fuel
1:3	99-5000	2	Valve-Check, Fuel
1:4	109-0305	1	Hose-Fuel
1:5	99-5005	1	Fitting-Tee, Barbed
1:7	109-0302	1	Hose-Fuel
1:8	110-5702	1	Hose-Fuel
1:9	1-603770	1	Valve-Fuel
1:10	109-0660	1	Hose-Fuel
2	110-5732	1	Control Panel ASM
2:2	110-5731	1	Decal-Panel, Control
4	1-303335	4	Tie-Plastic
9	1-633023	6	Stud
10	105-3644	1	LH Fuel Tank Kit ASM
②10:1		1	LH Fuel Tank ASM
10:1:2	103-2605	1	Fitting-Fuel, Bulkhead
10:2	109-0346	1	Cap-Fuel, Gas
11	105-3643	1	RH Fuel Tank Kit ASM
②11:1		1	RH Fuel Tank ASM
11:1:2	103-2605	1	Fitting-Fuel, Bulkhead
11:2	109-0346	1	Cap-Fuel, Gas
14	1-633349	6	Spring-Tank, Fuel
16	322-3	2	Screw-HH

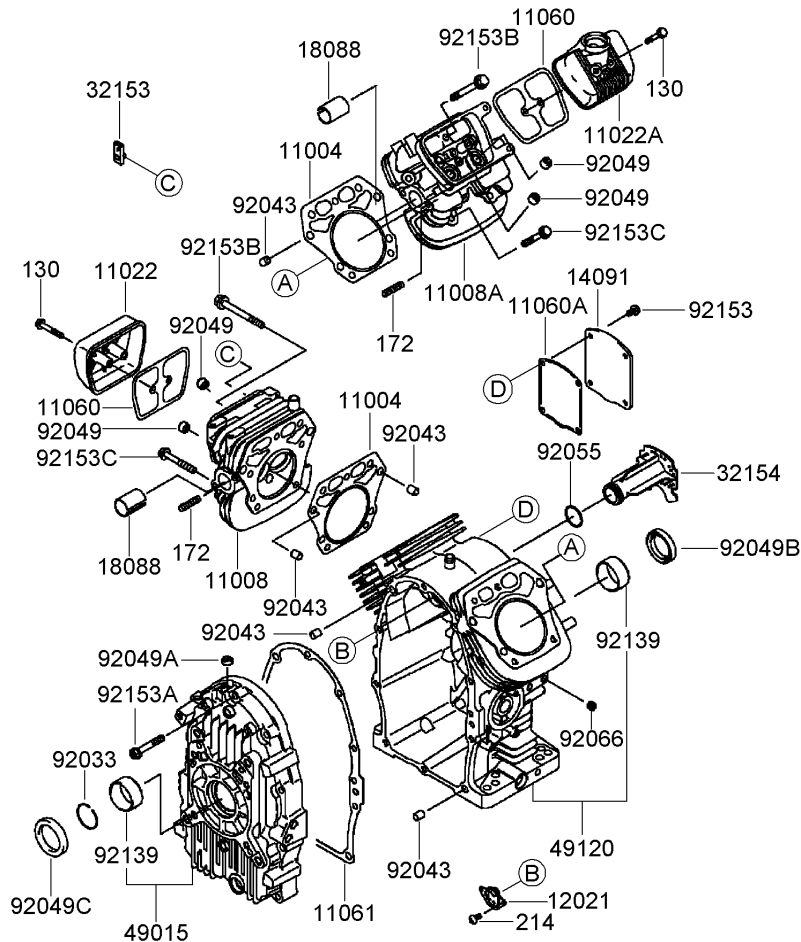
Ref	Part No.	Qty.	Description
17	3296-47	6	Nut-Lock, NI
19	1-805005	2	Washer-Lock
20	3256-23	8	Washer-Flat
23	109-2661	4	Screw-PPH
26	106-9962	1	Control-Choke, Push / Pull
27	1-807513	2	Bolt-CARR
28	1-513592	1	Knob-Ball
29	107-8073	1	Cable-Throttle
30	3296-2	2	Nut-Lock



Electrical Assembly

Ref	Part No.	Qty.	Description
1	107-9277-03	1	Strap-Holddown, Battery
2	105-1692	1	Battery
2:1	104-4163	1	Decal-Battery
2:2	104-4164	1	Decal-Battery
3	1-543792	2	Wingnut
4	1-633307	1	Wire-Ground
5	1-543391	1	Insulator-Battery
6	1-800282	1	Screw-HH
7	3256-2	2	Washer-Flat
8	3296-29	1	Nut-Lock, NI
9	1-523415	1	Spring-Switch, Seat
10	1-522424-03	1	Mount-Spring, Seat
11	321-4	8	Screw-HH
12	32128-33	8	Nut-HF
13	63-8360	2	Key-Ignition
14	1-513152	1	Switch-Closed, Normally
15	1-513180	1	Plate-Switch, Seat
16	3290-500	12	Screw-PPH
17	1-633181	4	Plate-Tapped
18	1-816001	2	Fuse-Blade Type, 20 Amp
19	1-633111	1	Switch
20	1-513051	2	Switch-Open, Normally
21	1-303287	5	Tie-Plastic
22	100-6186	1	Module-Delay, Seat

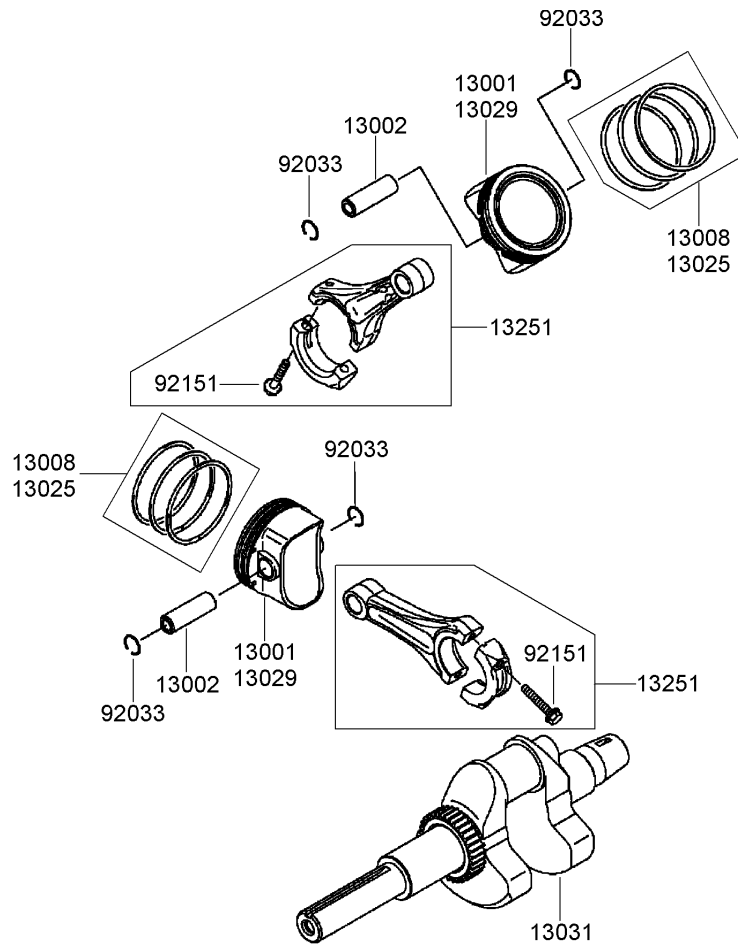
Ref	Part No.	Qty.	Description
23	104-2541	1	Switch ASM
23:1	218-461	1	Nut-HH
23:2	3254-5	1	Washer-Tooth
24	1-513374	1	Meter-Hour
25	103-5221	1	Switch-PTO
26	1-633396	3	Clip-Loom
27	106-7494	1	Harness-Wire
28	1-303335	2	Tie-Plastic
29	1-523281	1	Wire-Starter
30	1-543393	3	Insulator-Solenoid
31	1-633651	2	Bolt-Holddown
33	3296-2	4	Nut-Lock
34	1-643275	2	Relay
37	3256-22	1	Washer-Flat
38	1-513075	1	Switch-Solenoid
38:1	3253-17	2	Washer-Lock
38:2	3253-4	2	Washer-Lock
38:3	3219-14	2	Nut-Hex
38:4	3220-2	2	Nut-Jam
39	1-633306	1	Cable-Starter, Positive
40	321-2	1	Screw-HH
51	3217-6	1	Nut-Hex
53	107-9309	1	Decal-Instructions, Charging



Cylinder and Crankcase Assembly Kawasaki FH770D-AS05

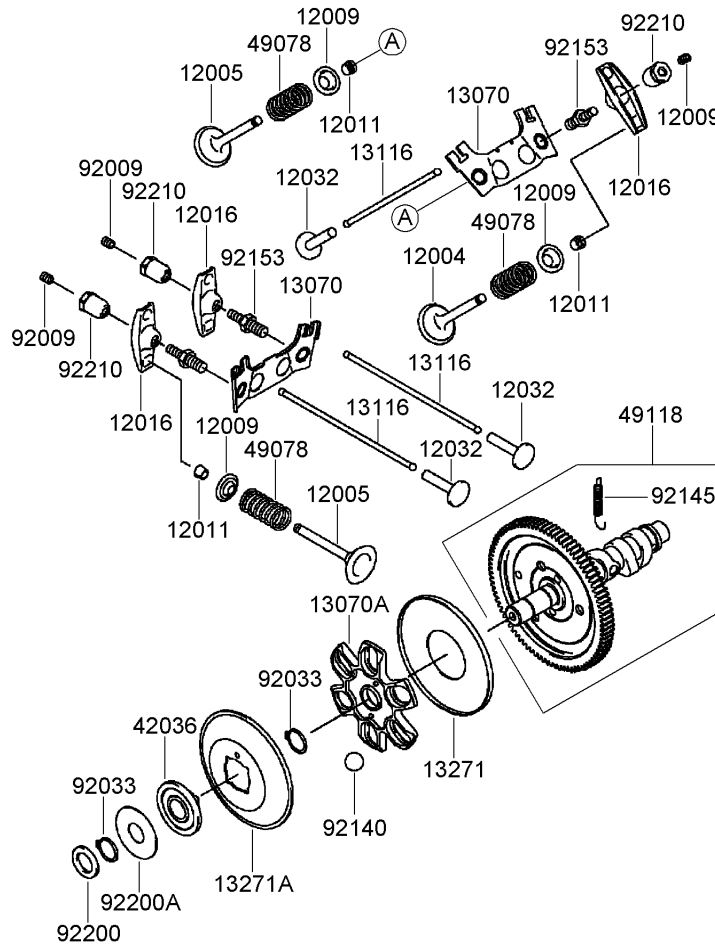
Ref	Part No.	Qty.	Description
①11004	11004-7021	2	Gasket-Head
①11008	11008-7030	1	Head-Cylinder, No.1
①11008A	11008-7031	1	Head-Cylinder, No.2
①11022	11022-7002	1	Case-Rocker
①11022A	11022-7004	1	Case-Rocker
①11060	11060-7013	2	Gasket-Case, Rocker
①11060A	11060-7014	1	Gasket-Breather
①11061	11061-7047	1	Gasket-Crankcase
①12021	12021-7002	1	Reed Valve ASM
①14091	14091-7004	1	Cover
①18088	18088-7003	2	Pipe-Exhaust
①32153	32153-7003	1	Pipe
①32154	32154-7021	1	Pipe
①49015	49015-6269	1	Cover-Crankcase
①49120	49120-6151	1	Crankcase
①92033	92033-7004	1	Ring-Snap
①92043	92043-7001	6	Pin
①92049	92049-7001	4	Seal-Oil, R V C2 (6X11X10.2)
①92049A	92049-7005	1	Seal-Oil, S O (8X14X5 H S)
①92049B	92049-7010	1	Seal-Oil, Sd (35X48X8 R Hs)
①92049C	92049-7022	1	Seal-Oil, Sd-40-55-8-L-Hs
①92055	92055-7022	1	O-Ring (25X30.2X2.62)
①92066	92066-7002	1	Plug
①92139	92139-7009	2	Bushing

Ref	Part No.	Qty.	Description
①92153	92153-7043	4	Bolt (6X12)
①92153A	92153-7073	10	Bolt (8X50)
①92153B	92153-7074	2	Bolt (8X75)
①92153C	92153-7083	8	Bolt (8X55)
①130	130B0640	4	Bolt-Flanged (6X40)
①172	172G0818	4	Bolt-Stud (8X18)
①214	214B0408	2	Screw-Pan (4X8)



Piston and Crankshaft Assembly Kawasaki FH770D-AS05

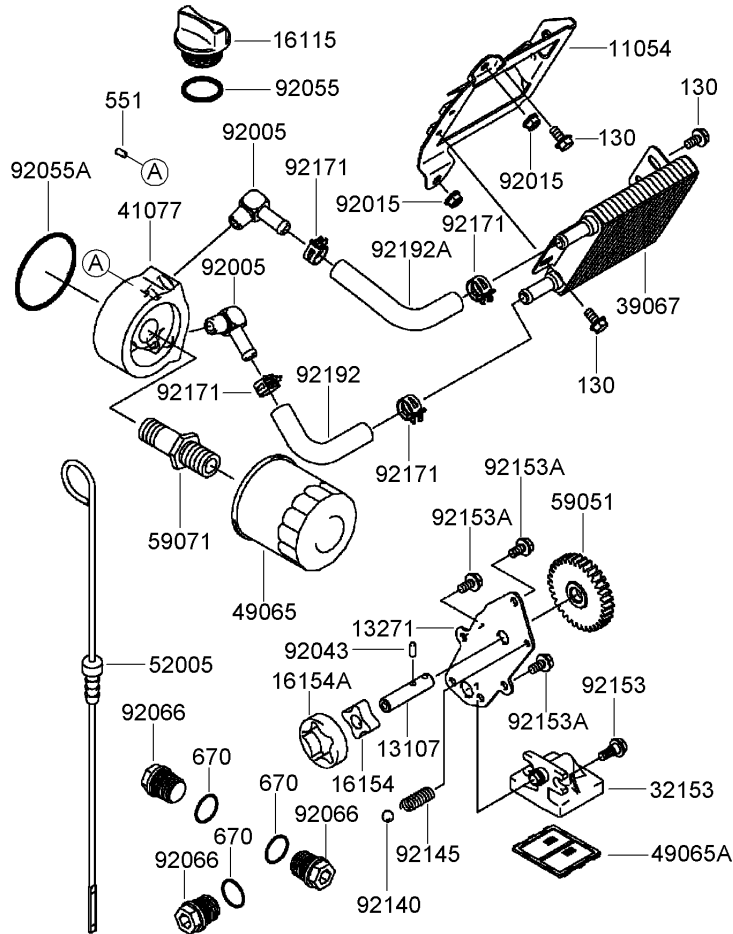
Ref	Part No.	Qty.	Description				
● 13001	13001-7020	2	Piston-Engine				
● 13002	13002-2085	2	Pin-Piston				
● 13008	13008-6064	2	Piston Ring Set				
● 13025	13025-7005	1	Piston Ring Set (0.50)				
● 13029	13029-7008	1	Piston-Engine (0.50)				
● 13031	13031-7071	1	Crankshaft				
● 13251	13251-7016	2	Connecting Rod ASM				
● 92033	92033-7002	4	Ring-Snap				
● 92151	92151-7017	4	Bolt (6X35)				



Valve and Camshaft Assembly Kawasaki FH770D-AS05

Ref	Part No.	Qty.	Description
●	12004	2	Valve-Intake
●	12005	2	Valve-Exhaust
●	12009	4	Retainer-Spring, Valve
●	12011	8	Collet
●	12016	4	Arm-Rocker
●	12032	4	Tappet
●	13070	2	Guide
●	13070A	1	Guide
●	13116	4	Rod-Push
●	13271	1	Plate
●	13271A	1	Plate-Governor
●	42036	1	Sleeve
●	49078	4	Spring-Valve, Engine (In)
●	49118	1	Camshaft
●	92009	4	Screw
●	92033	2	Ring-Snap
●	92140	6	Ball
●	92145	1	Spring
●	92153	4	Bolt
●	92200	1	Washer
●	92200A	1	Washer (16X42X0.91)
●	92210	4	Nut (M6)

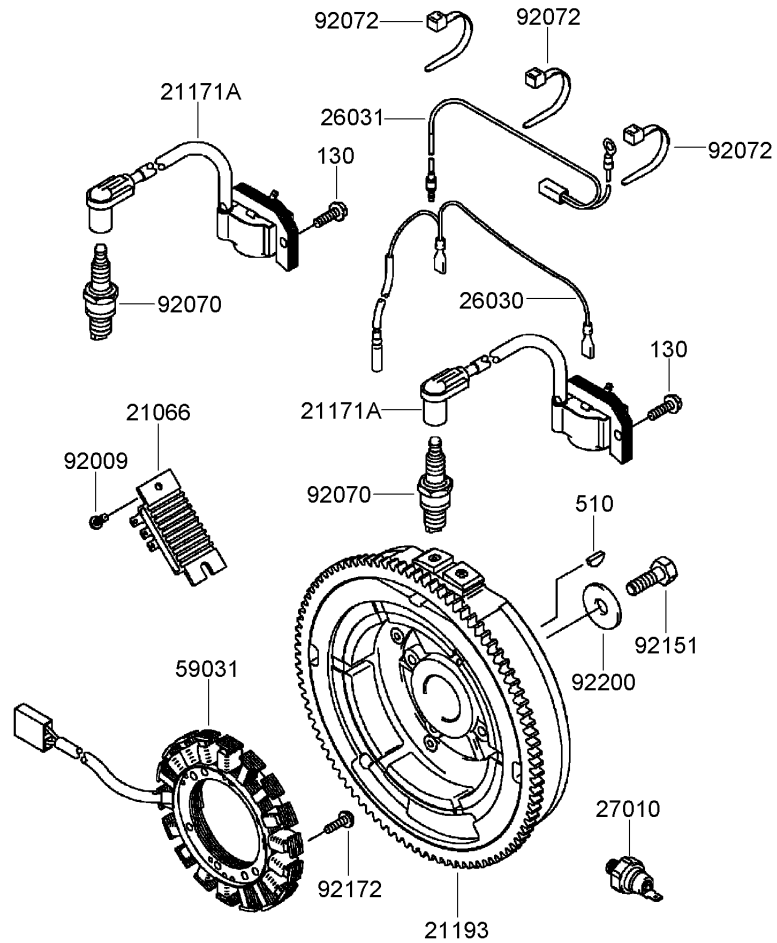
--	--	--	--



Lubrication Equipment Assembly Kawasaki FH770D-AS05

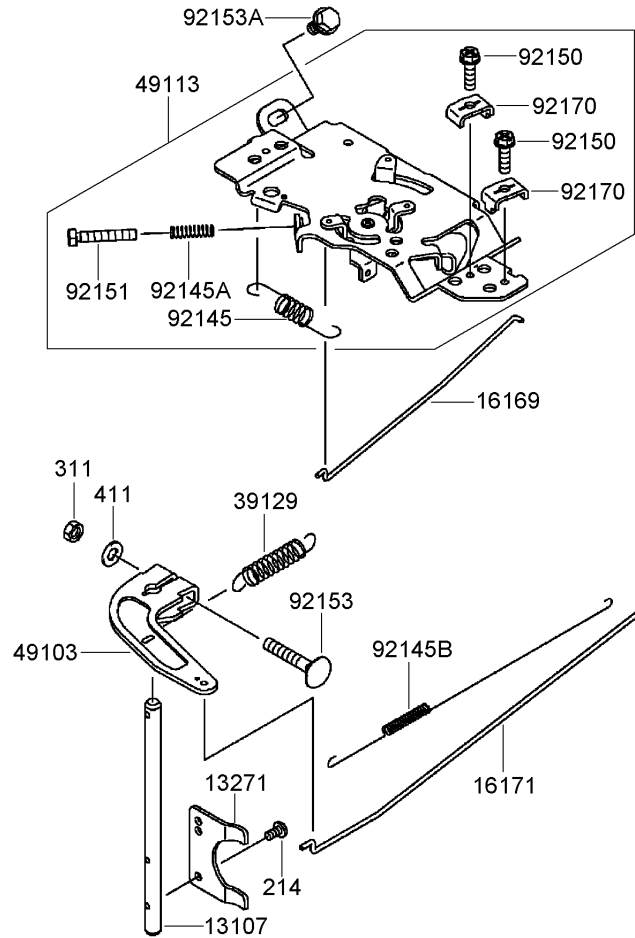
Ref	Part No.	Qty.	Description
●11054	11054-7001	1	Bracket
●13107	13107-7009	1	Shaft
●13271	13271-7014	1	Plate
●16115	16115-7001	1	Cap-Filter, Oil
●16154	16154-2053	1	Rotor-Pump (In)
●16154A	16154-2054	1	Rotor-Pump (Out)
●32153	32153-7002	1	Pipe
●39067	39067-7006	1	Cooler-Oil
●41077	41077-7003	1	Adapter
●49065	49065-2078	1	Filter-Oil
●49065A	49065-7005	1	Filter-Oil
●52005	52005-7003	1	Guage
●59051	59051-7011	1	Gear-Spur
●59071	59071-7009	1	Joint
●92005	92005-7003	2	Fitting
●92015	92015-1193	2	Nut
●92043	92043-7003	2	Pin
●92055	92055-7004	1	O-Ring
●92055A	92055-7006	1	O-Ring (58)
●92066	92066-7003	3	Plug
●92140	92140-7003	1	Ball
●92145	92145-7046	1	Spring
●92153	92153-7007	2	Bolt
●92153A	92153-7043	3	Bolt (6X12)

Ref	Part No.	Qty.	Description
●92171	92171-7020	4	Clamp
●92192	92192-7026	1	Tube
●92192A	92192-7027	1	Tube
●130	130B0612	5	Bolt-Flanged (6X12)
●551	551A0408	1	Pin-Dowel
●670	670D2016	3	O-Ring (16Mm)



Electric Equipment Assembly Kawasaki FH770D-AS05

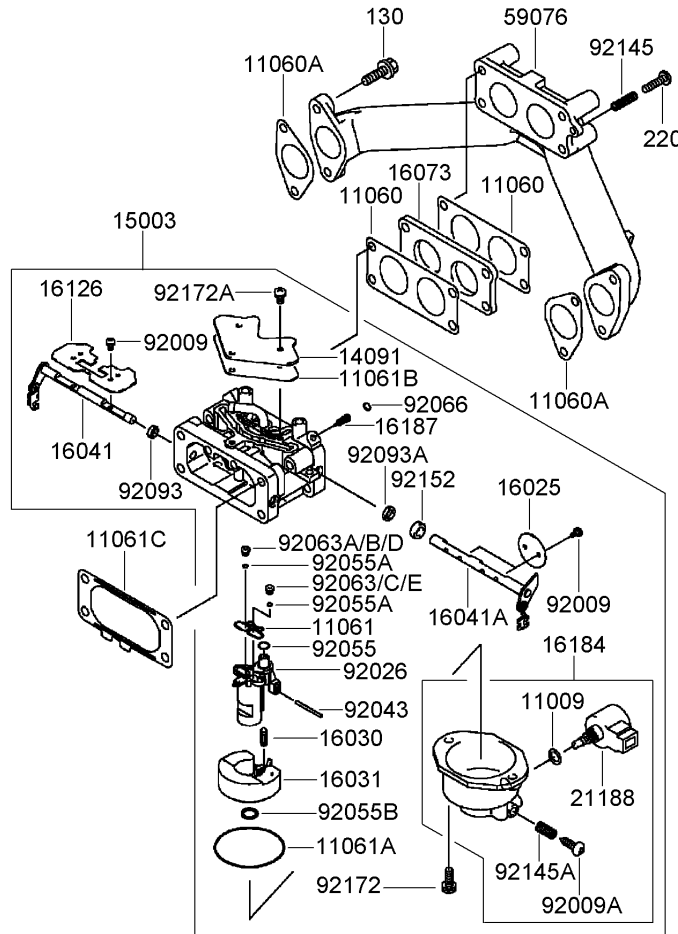
Ref	Part No.	Qty.	Description
②	21066-7011	1	Regulator-Voltage
②	21171-7037	2	Ignition Coil ASM
②	21193-7030	1	Flywheel ASM
②	26030-7002	1	Harness
②	26031-7012	1	Harness
②	27010-7001	1	Switch
②	59031-7009	1	Coil-Charging
②	92009-2308	1	Screw
②	92070-7004	2	Sparkplug, B P R 4 E S (N G K) Solid
②	92072-7003	3	Band
②	92151-2097	1	Bolt (12X30)
②	92172-7018	4	Screw (5X20)
②	92200-7002	1	Washer
②	130-130B0620	4	Bolt-Flanged (6X20)
②	510-510A5100	1	Key-Woodruff



Control Equipment Assembly Kawasaki FH770D-AS05

Ref	Part No.	Qty.	Description
③13107	13107-7011	1	Shaft
③13271	13271-7032	1	Plate
③16169	16169-7008	1	Link-Choke
③16171	16171-7005	1	Link
③39129	39129-7012	1	Spring-Governor
③49103	49103-7004	1	Arm-Governor
③49113	49113-7040	1	Panel Control
③92145	92145-7004	1	Spring
③92145A	92145-7005	1	Spring
③92145B	92145-7014	1	Spring
③92150	92150-2182	2	Bolt (5X18)
③92151	92151-7014	1	Bolt (5X30)
③92153	92153-7033	1	Bolt (6X35)
③92153A	92153-7043	2	Bolt (6X12)
③92170	92170-7001	2	Clamp
③214	214B0408	2	Screw-Pan (4X8)
③311	311B0600	1	Nut-Hex (6Mm)
③411	411B0600	1	Washer-Plain (6Mm)

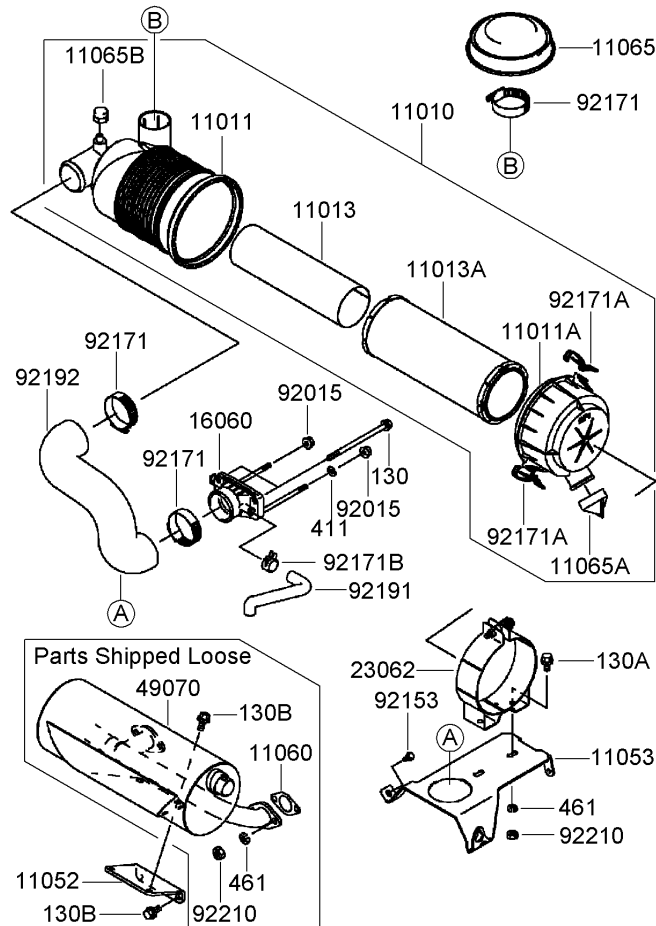
--	--	--	--



Carburetor Assembly Kawasaki FH770D-AS05

Ref	Part No.	Qty.	Description
⑤11009	11009-2056	1	Gasket
⑤11060	11060-7010	2	Gasket-Carburetor
⑤11060A	11060-7011	2	Gasket-Manifold
⑤11061	11061-7037	1	Gasket
⑤11061A	11061-7038	1	Gasket
⑤11061B	11061-7039	1	Gasket
⑤11061C	11061-7042	1	Gasket-Filter, Air
⑤14091	14091-7031	1	Cover
⑤15003	15003-7125	1	Carburetor ASM
⑤16025	16025-7010	2	Valve-Throttle
⑤16030	16030-7004	1	Valve-Float
⑤16031	16031-7003	1	Float
⑤16041	16041-7028	1	Shaft-Carburetor
⑤16041A	16041-7032	1	Shaft-Carburetor
⑤16073	16073-7002	1	Insulator
⑤16126	16126-7015	1	Valve
⑤16184	16184-7017	1	Chamber Float ASM
⑤16187	16187-7002	2	Needle-Jet
⑤21188	21188-7003	1	Solenoid
⑤59076	59076-7006	1	Manifold-Intake
⑤92009	92009-7003	6	Screw
⑤92009A	92009-7006	1	Screw-Drain
⑤92026	92026-7011	1	Spacer
⑤92043	92043-7014	1	Pin

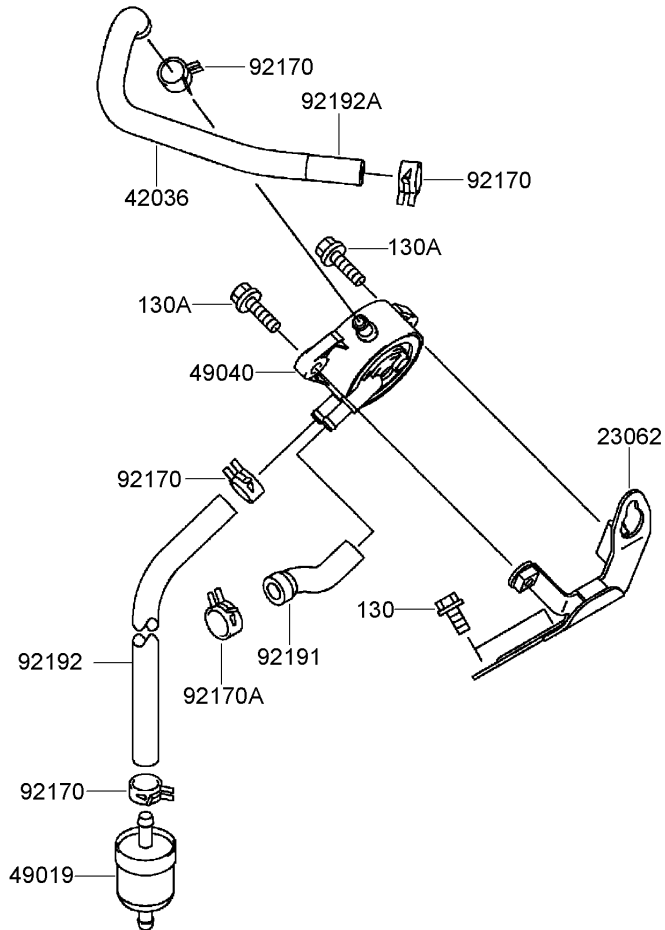
Ref	Part No.	Qty.	Description
⑤92055	92055-7012	1	O-Ring
⑤92055A	92055-7013	2	O-Ring
⑤92055B	92055-7016	1	O-Ring
⑤92063	92063-7086	1	Jet-Main, No.124
⑤92063A	92063-7087	1	Jet-Main, No.122
⑤92063B	92063-7092	1	Jet-Main, No.119
⑤92063C	92063-7093	1	Jet-Main, No.121
⑤92063D	92063-7094	1	Jet-Main, No.116
⑤92063E	92063-7095	1	Jet-Main, No.118
⑤92066	92066-7009	2	Plug, Extension
⑤92093	92093-7001	1	Seal (I D 5.9)
⑤92093A	92093-7002	1	Seal (I D 6.9)
⑤92145	92145-7005	1	Spring
⑤92145A	92145-7011	1	Spring
⑤92152	92152-7005	1	Collar
⑤92172	92172-7005	2	Screw
⑤92172A	92172-7006	3	Screw
⑤130	130B0620	4	Bolt-Flanged (6X20)
⑤220	220B0520	1	Screw-Pan (5X20)



Air Filter and Muffler Assembly Kawasaki FH770D-AS05

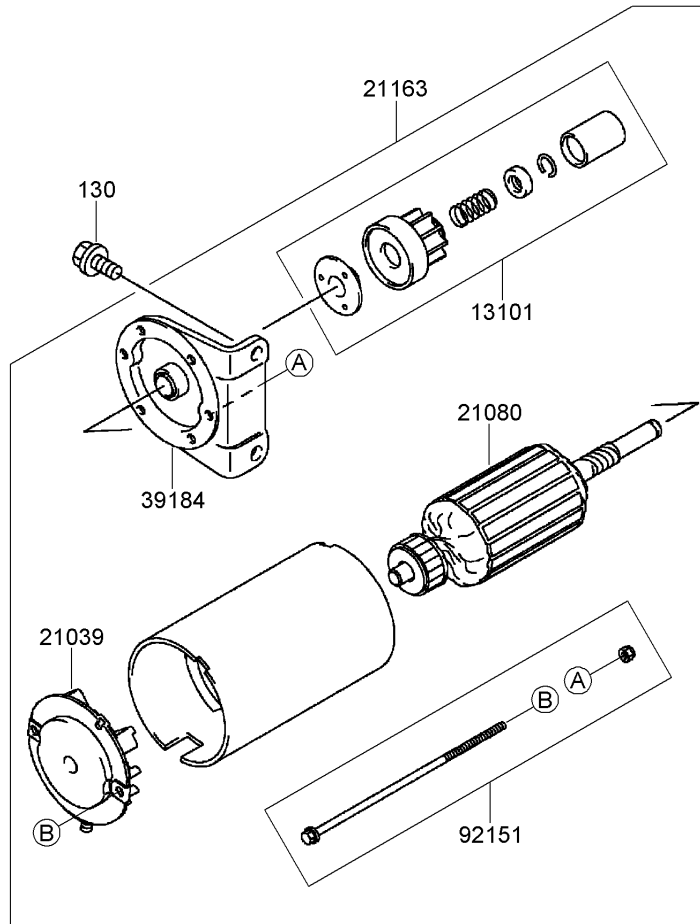
Ref	Part No.	Qty.	Description
● 11010	11010-7011	1	Air Filter ASM
● 11011	11011-7013	1	Case-Filter, Air
● 11011A	11011-7014	1	Case-Filter, Air
● 11013	11013-7019	1	Element-Filter, Air
● 11013A	11013-7020	1	Element-Filter, Air
● 11052	11052-7001	1	Bracket
● 11053	11053-7002	1	Bracket
● 11060	11060-7016	2	Gasket-Muffler
● 11065	11065-7006	1	Cap
● 11065A	11065-7008	1	Cap
● 11065B	11065-7009	1	Cap
● 16060	16060-7022	1	Pipe-Intake
● 23062	23062-7009	1	Bracket
● 49070	49070-7023	1	Muffler
● 92015	92015-1193	2	Nut
● 92153	92153-7043	2	Bolt (6X12)
● 92171	92171-7007	3	Clamp
● 92171A	92171-7009	2	Clamp
● 92171B	92171-7013	1	Clamp
● 92191	92191-7032	1	Tube-Breather
● 92192	92192-7049	1	Tube
● 92210	92210-7027	6	Nut (M8)
● 130	130B06105	2	Bolt-Flanged (6X10.5)
● 130A	130B0814	2	Bolt-Flanged (8X14)

Ref	Part No.	Qty.	Description
● 130B	130B0816	4	Bolt-Flanged (8X16)
● 411	411B0600	1	Washer-Plain (6Mm)
● 461	461F0800	6	Washer-Spring (8Mm)



Fuel Tank and Valve Assembly Kawasaki FH770D-AS05

Ref	Part No.	Qty.	Description				
③23062	23062-7004-9H	1	Bracket				
③42036	42036-7016	1	Sleeve				
③49019	49019-7001	1	Filter-Fuel				
③49040	49040-7001	1	Pump-Fuel				
③92170	92170-2088	4	Clamp				
③92170A	92170-7003	1	Clamp				
③92191	92191-7027	1	Tube				
③92192	92192-7037	1	Tube (6.35X12.7X160)				
③92192A	92192-7073	1	Tube (6.35X12.7X195)				
③130	130B0616	2	Bolt-Flanged (6X16)				
③130A	130B0620	2	Bolt-Flanged (6X20)				



Starter Assembly Kawasaki FH770D-AS05

Ref	Part No.	Qty.	Description
● 13101	13101-7003	1	Gear ASM
● 21039	21039-7004	1	Brush
● 21080	21080-7001	1	Armature
● 21163	21163-7010	1	Starter-Electric
● 39184	39184-7004	1	Bracket ASM
● 92151	92151-7013	1	Bolt
● 130	130B0816	2	Bolt-Flanged (8X16)

Attachments and Accessories

For 74237 - Z528 Z Master, With 52in 7-Gauge Side Discharge Mower

Product Name	Model/Part
Z Stand Kit	105-1622
Blade-Recycler, 18 Inch	105-7779-03
Blade-Hi Flow, 18 Inch	105-7781-03
Blade-Med Flow, 18 Inch	105-7794-03
Blade-Low Flow, 18 Inch	105-7795-03
Blade-Atomic, 18 Inch	105-7796-03
52 Inch Recycler Kit	107-1610
Striping Kit	107-1630
Turbo Baffle Kit	107-1634
Deluxe Suspension Seat	107-1891
Suspension Kit for Standard Seat	107-1892
Light Kit	107-9880
Blade-Hi-Flow, 18 Inch (6 Pack)	108-1117
Blade-Atomic, 18 Inch (6 Pack)	108-1118
Roller Striping Kit	108-2162
Blade-Lo-Flow, 18 Inch (6 Pack)	110-0406
Blade-Recycler, 18 Inch (6 Pack)	110-0408
Cool Top ROPS Mounted Fan	110-1996
Bimini Sunshade	110-5726
Deck Lift Assist Kit	110-5761
Discharge Side Anti-Scalp Roller Kit	112-1792
Channel Reinforcement Kit	112-8674
DFS Vac Collection System	78513
Chute Gate Kit	78521
Twin Bag Assembly	78533
Blower and Drive Kit	78537
Filter Minder Gauge	99-4664
Hitch Kit	99-8925

NOTES

NOTES

NOTES

