



## Z589 Z Master<sup>®</sup> With 60in TURBO FORCE<sup>®</sup> Side Discharge Mower

Model No. 74253CP - 270000001 and up.

### Parts Catalog

---

#### Ordering Replacement Parts

To order replacement parts, please supply the part number, the quantity, and the description of each part desired.

#### Understanding Reference Numbers

Each identified part in an illustration has a reference number. The reference number for a part also appears in the parts list, along with other information about the part.

This catalog uses two special reference number formats, one to indicate parts in a service assembly and another to indicate the quantity of a given part in an illustration.

#### Service Assembly Reference Numbers

Parts in service assemblies have reference numbers in the form a:b. The a represents the reference number of the entire service assembly and the b represents a sequential number unique to each part within the service assembly.

For example, a wheel assembly might be identified by reference number 6, the tire by 6:1, the valve by 6:2, and the wheel by 6:3. When you order the assembly identified by reference number 6, you receive all parts identified by reference numbers 6:1, 6:2, and 6:3. However, you may also order any part individually. Reference numbers of this type appear in illustrations and in part lists.

#### Reference Numbers Indicating Quantity

In an illustration, if a reference number indicates more than one part, the reference number has the form nX y. The n represents the quantity of the part, the X is the multiplication symbol, and the y represents the reference number.

For example, in an illustration, the reference number 2X 37 means that two of the parts identified by reference number 37 are indicated.

# Contents

| Description                                       | Page | Description  | Page |
|---|------|--|------|
| Front Frame Assembly                              | 3    | Spindle Assembly No. 112-8698                        | 28   |
| Caster and Z Stand Assembly                       | 5    | Lever Assembly No. 107-1664                          | 29   |
| Traction Frame and Floor Pan Assembly             | 6    | Rubber Deflector Assembly No. 108-2792               | 30   |
| Seat and Roll-Over Protection System Assembly     | 7    | Electrical Assembly                                  | 31   |
| Deluxe Seat Assembly No. 110-0838                 | 8    | Cylinder and Crankcase Assembly Kawasaki FD791D-AS07 | 32   |
| Roll-Over Protection System Assembly No. 110-0877 | 9    | Piston and Crankshaft Assembly Kawasaki FD791D-AS07  | 33   |
| Parking Brake and Wheel Assembly                  | 10   | Valve and Camshaft Assembly Kawasaki FD791D-AS07     | 34   |
| Hydro Control Assembly                            | 11   | Lubrication Equipment Assembly Kawasaki FD791D-AS07  | 35   |
| Engine, Muffler and Air Cleaner Assembly          | 12   | Cooling Equipment Assembly Kawasaki FD791D-AS07      | 36   |
| Air Cleaner Assembly No. 95-5805                  | 13   | Electric Equipment Assembly Kawasaki FD791D-AS07     | 37   |
| Hydro and Gearbox Drive Assembly                  | 14   | Control Equipment Assembly Kawasaki FD791D-AS07      | 38   |
| 90 Degree Gearbox Assembly No. 110-5771           | 15   | Throttle Assembly Kawasaki FD791D-AS07               | 39   |
| Hydraulic Tank, Motor and Pump Assembly           | 16   | Air Filter and Muffler Assembly Kawasaki FD791D-AS07 | 40   |
| Tandem Pump Assembly No. 110-5757                 | 18   | Fuel Tank and Valve Assembly Kawasaki FD791D-AS07    | 41   |
| Hydraulic Hose Routing Assembly                   | 19   | Starter Assembly Kawasaki FD791D-AS07                | 42   |
| Fuel Tank, Lines and Filter Assembly              | 20   | Attachments and Accessories List                     | 43   |
| Engine Housing Assembly                           | 21   |  |      |
| Cooling System Assembly                           | 22   |  |      |
| Hood Assembly                                     | 23   |  |      |
| Deck Connection Assembly                          | 24   |  |      |
| Deck Assembly                                     | 25   |  |      |
| Deck Decal Assembly No. 108-5945                  | 27   |  |      |

## Part Description Abbreviations

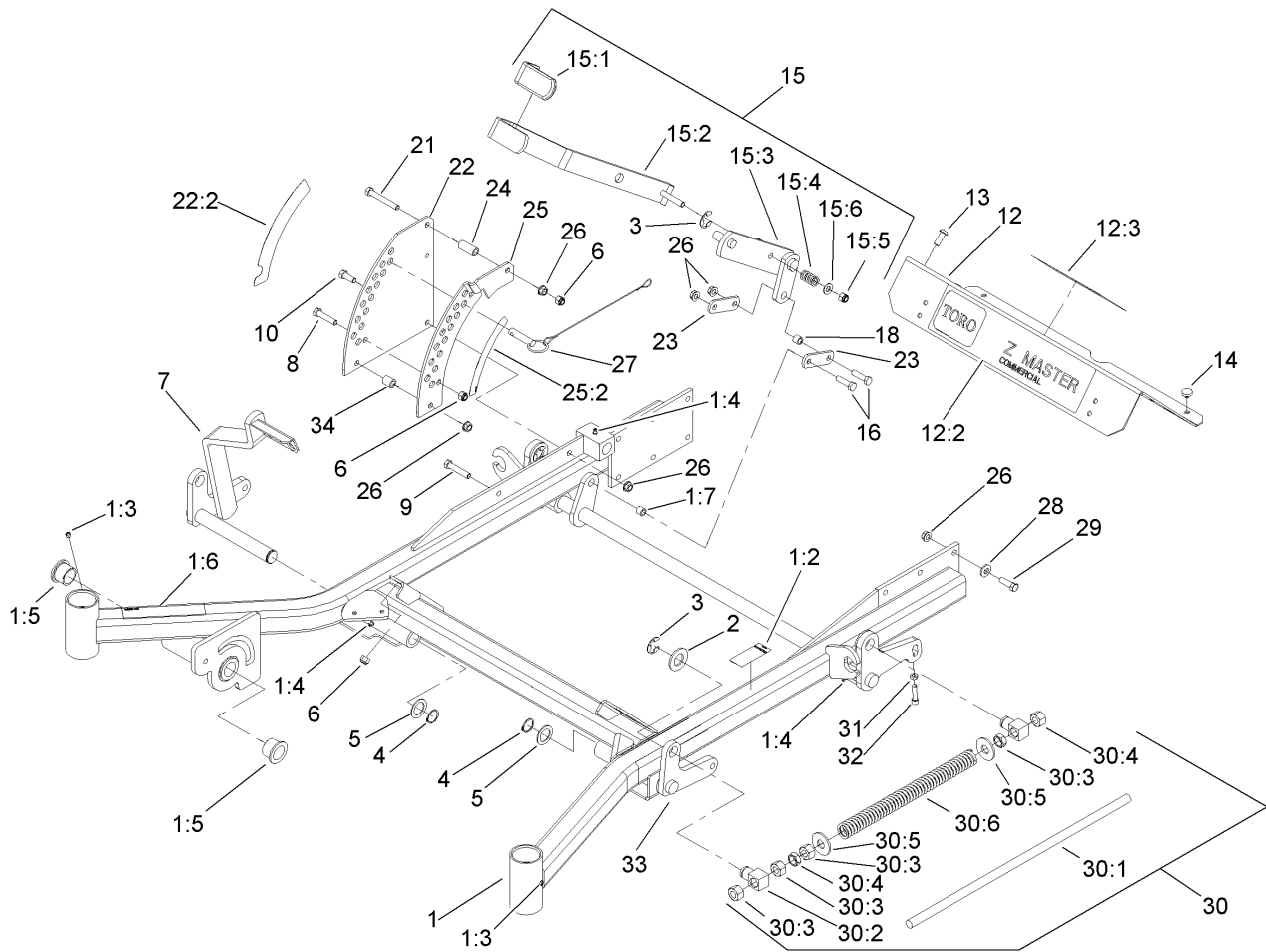
Part descriptions in this catalog may include the following abbreviations.

|   |   |
|---|---|
| AR. . . . . as required                       | HYD. . . . . hydraulic                          |
| ASM. . . . . assembly                         | LH. . . . . left hand                           |
| BBC. . . . . blade brake clutch               | NI. . . . . nylon insert                        |
| CARR. . . . . carriage                        | NPTF. . . . . national pipe thread fine         |
| DEG. . . . . degrees                          | PFH. . . . . phillips flat head                 |
| EXT. . . . . external                         | PPH. . . . . phillips pan head                  |
| FH. . . . . flat head                         | PPHTF. . . . . phillips pan head thread forming |
| GA. . . . . gauge                             | PRH. . . . . phillips round head                |
| HD. . . . . heavy-duty                        | PTH. . . . . phillips truss head                |
| HF. . . . . hex flange                        | PTO. . . . . power-take-off                     |
| HH. . . . . hex head                          | RH. . . . . right hand                          |
| HHF. . . . . hex head flange                  | ROPS. . . . . roll-over protection system       |
| HHFTF. . . . . hex head flange thread forming | SFH. . . . . slotted fillister head             |
| HJ. . . . . hex jam                           | SHH. . . . . slotted hex head                   |
| HLH. . . . . hex lag head                     | SHWH. . . . . slotted hex washer head           |
| HOC. . . . . height-of-cut                    | SPH. . . . . slotted pan head                   |
| HSBH. . . . . hex socket button head          | SQH. . . . . square head                        |
| HSFH. . . . . hex socket flat head            | SRH. . . . . slotted round head                 |
| HSH. . . . . hex socket head                  | STD. . . . . standard                           |
| HWH. . . . . hex washer head                  | TAP. . . . . self tapping                       |
| HWHTF. . . . . hex washer head thread forming | TTH. . . . . torx truss head                    |

## Footnotes

- ❶ Not illustrated
- ❷ Obtain from your local Kawasaki dealer

- ❸ Not serviced separately

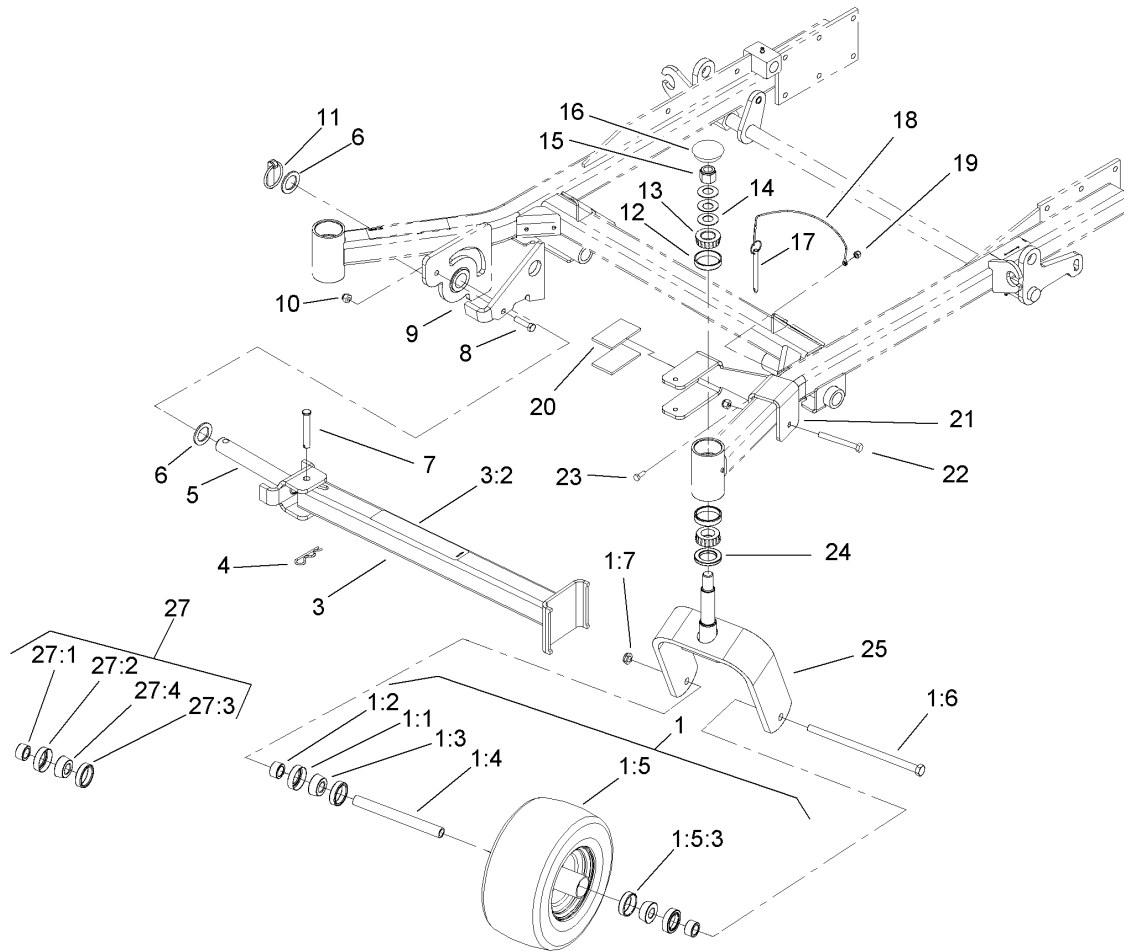


## Front Frame Assembly

| Ref  | Part No.    | Qty. | Description            |
|------|-------------|------|------------------------|
| 1    | 106-8998    | 1    | Frame ASM              |
| 1:2  | 107-1857    | 1    | Decal-Brake, Parking   |
| 1:3  | 1-811010    | 2    | Plug                   |
| 1:4  | 302-19      | 5    | Fitting-Grease         |
| 1:5  | 94-1291     | 2    | Bushing                |
| 1:6  | 104-7759    | 1    | Decal-Warning          |
| 1:7  | 103-1918    | 1    | Bushing                |
| 2    | 3256-29     | 4    | Washer-Flat            |
| 3    | 32151-103   | 5    | Ring-Retaining, EXT    |
| 4    | 32151-29    | 2    | Ring-Retaining         |
| 5    | 1-523157    | 2    | Washer-Spacer          |
| 6    | 3296-39     | 6    | Nut-Lock, NI           |
| 7    | 108-7786-01 | 1    | RH Front Deck Lift ASM |
| 8    | 323-9       | 1    | Screw-HH               |
| 9    | 323-10      | 1    | Screw-HH               |
| 10   | 323-5       | 1    | Screw-HH               |
| 12   | 106-9981    | 1    | Footrest               |
| 12:2 | 106-7451    | 1    | Decal                  |
| 12:3 | 107-2112    | 1    | Decal-Warning          |
| 13   | 3274-94     | 4    | Screw-HSBH             |
| 14   | 1-513658    | 2    | Bumper                 |
| 15   | 110-5860    | 1    | Deck Lift Handle ASM   |
| 15:1 | 1-633295    | 1    | Grip-Lever, Lift       |
| 15:2 | 103-2083    | 1    | Lever-Lift             |

| Ref  | Part No. | Qty. | Description             |
|------|----------|------|-------------------------|
| 15:3 | 103-2064 | 1    | Arm-Lift, Deck          |
| 15:4 | 1-633325 | 1    | Spring-Compression      |
| 15:5 | 3296-39  | 1    | Nut-Lock, NI            |
| 15:6 | 3256-24  | 1    | Washer-Flat             |
| 16   | 323-29   | 2    | Screw-HH                |
| 18   | 103-1918 | 1    | Bushing                 |
| 21   | 323-13   | 1    | Screw-HH                |
| 22   | 110-0833 | 1    | Plate-Deck Lift, Outer  |
| 22:2 | 107-1860 | 1    | Decal-Height, Deck      |
| 23   | 1-633068 | 2    | Arm-Lift, Deck          |
| 24   | 1-633082 | 1    | Bushing-Lever, Lift     |
| 25   | 110-0834 | 1    | Plate-Deck Lift, Inner  |
| 25:2 | 107-1861 | 1    | Decal-Height, Deck      |
| 26   | 3290-357 | 17   | Nut-HHF, Whiz           |
| 27   | 106-9951 | 1    | Hitch Pin ASM           |
| 28   | 98-5975  | 12   | Washer-Belleveille      |
| 29   | 323-7    | 12   | Screw-HH                |
| 30   |          | 2    | Front Frame Spring ASM  |
| 30:1 | 1-633096 | 1    | Rod-Lift, Deck          |
| 30:2 | 1-633441 | 2    | Swivel-Deck Mount, Rear |
| 30:3 | 3217-11  | 4    | Nut-Hex                 |
| 30:4 | 3218-6   | 2    | Nut-Jam                 |
| 30:5 | 3256-7   | 2    | Washer-Flat             |
| 30:6 | 1-633064 | 1    | Spring-Support, Deck    |

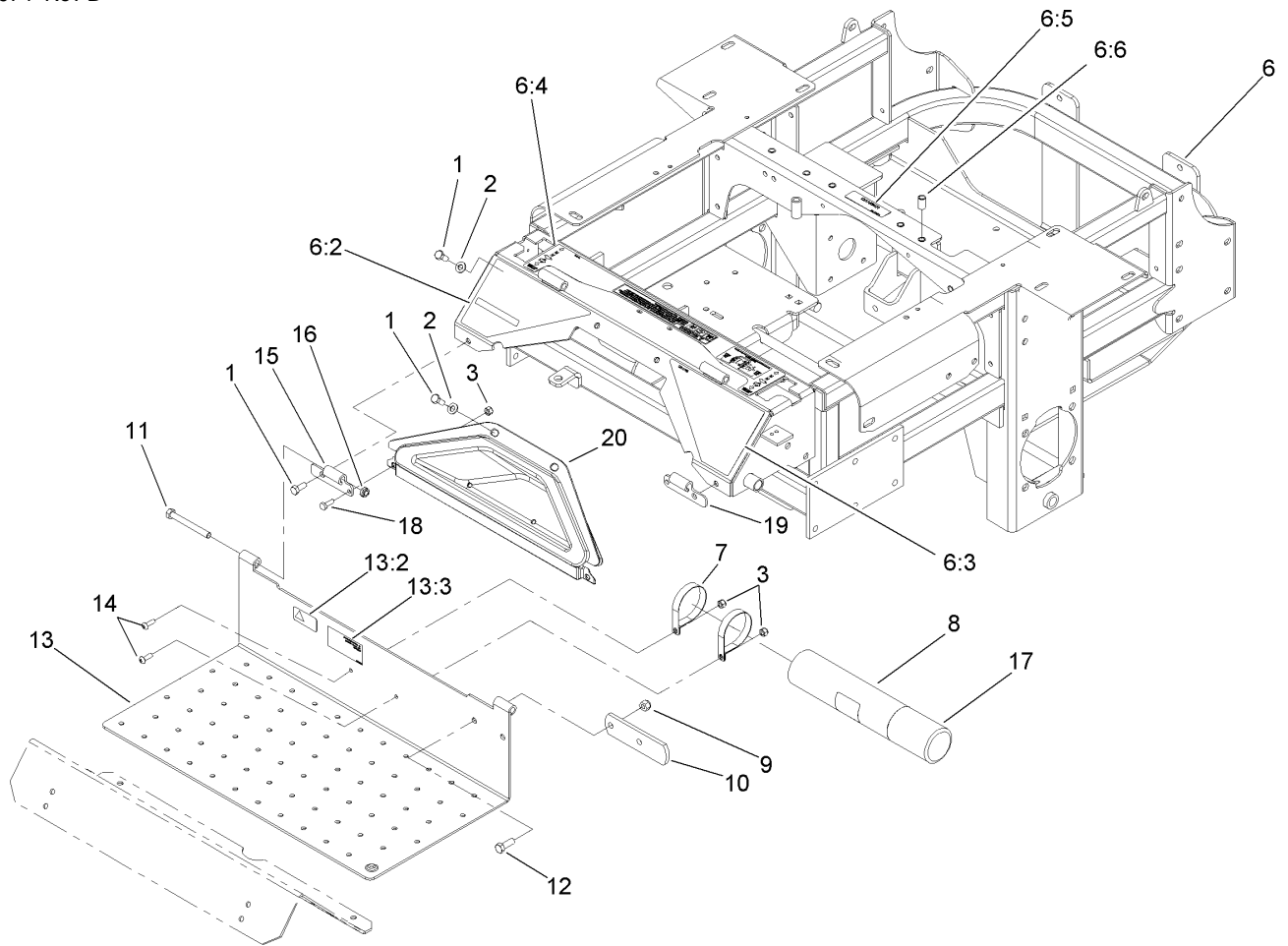




## Caster and Z Stand Assembly

| Ref   | Part No.    | Qty. | Description                         |
|-------|-------------|------|-------------------------------------|
| 1     | 110-5746    | 2    | Castor Wheel ASM                    |
| 1:1   | 1-633580    | 2    | Seal-Bearing                        |
| 1:2   | 1-633581    | 2    | Spacer-Bearing                      |
| 1:3   | 1-633585    | 2    | Bearing-Cone, Taper                 |
| 1:4   | 1-633959    | 1    | Spacer-Caster, Front                |
| 1:5   | 110-5744    | 1    | Wheel And Tire ASM (Semi-Pneumatic) |
| 1:5:3 | 1-633584    | 1    | Bearing-Cup                         |
| 1:6   | 325-24      | 1    | Screw-HH                            |
| 1:7   | 3296-45     | 1    | Nut-Lock, NI                        |
| 3     | 107-1874    | 1    | Leg ASM                             |
| 3:2   | 106-7464    | 1    | Decal-Z Stand                       |
| 4     | 3290-355    | 1    | Pin-Hair                            |
| 5     | 100-9692-01 | 1    | Pivot Pin ASM                       |
| 6     | 3-6781      | 2    | Washer-Thrust                       |
| 7     | 283-55      | 1    | Pin-Clevis                          |
| 8     | 323-8       | 1    | Screw-HH                            |
| 9     | 100-9686-01 | 1    | Bracket-Latch                       |
| 10    | 3296-39     | 2    | Nut-Lock, NI                        |
| 11    | 283-71      | 1    | Pin-Lynch                           |
| 12    | 254-72      | 4    | Bearing-Cup, Tapered                |
| 13    | 254-94      | 4    | Bearing-Cone, Tapered               |
| 14    | 1-633508    | 6    | Washer-Bellville                    |
| 15    | 3296-51     | 2    | Nut-Lock, NI                        |

| Ref  | Part No.    | Qty. | Description              |
|------|-------------|------|--------------------------|
| 16   | 103-4882    | 2    | Cap-Grease               |
| 17   | 105-1647    | 1    | Pin-Hitch, Cotterless    |
| 18   | 100-9385    | 1    | Lanyard-Nylon            |
| 19   | 3296-42     | 1    | Nut-Lock, NI             |
| 20   | 100-6547    | 2    | Cushion-Rubber           |
| 21   | 100-6542-01 | 1    | Bracket-Cradle           |
| 22   | 323-20      | 1    | Screw-HH                 |
| 23   | 321-4       | 1    | Screw-HH                 |
| 24   | 1-543511    | 2    | Seal-Grease              |
| 25   | 103-1474-01 | 2    | Fork-Caster              |
| 27   | 110-8837    | 1    | Caster Wheel Bearing Kit |
| 27:1 | 1-633581    | 2    | Spacer-Bearing           |
| 27:2 | 1-633580    | 2    | Seal-Bearing             |
| 27:3 | 1-633584    | 2    | Bearing-Cup              |
| 27:4 | 1-633585    | 2    | Bearing-Cone, Taper      |

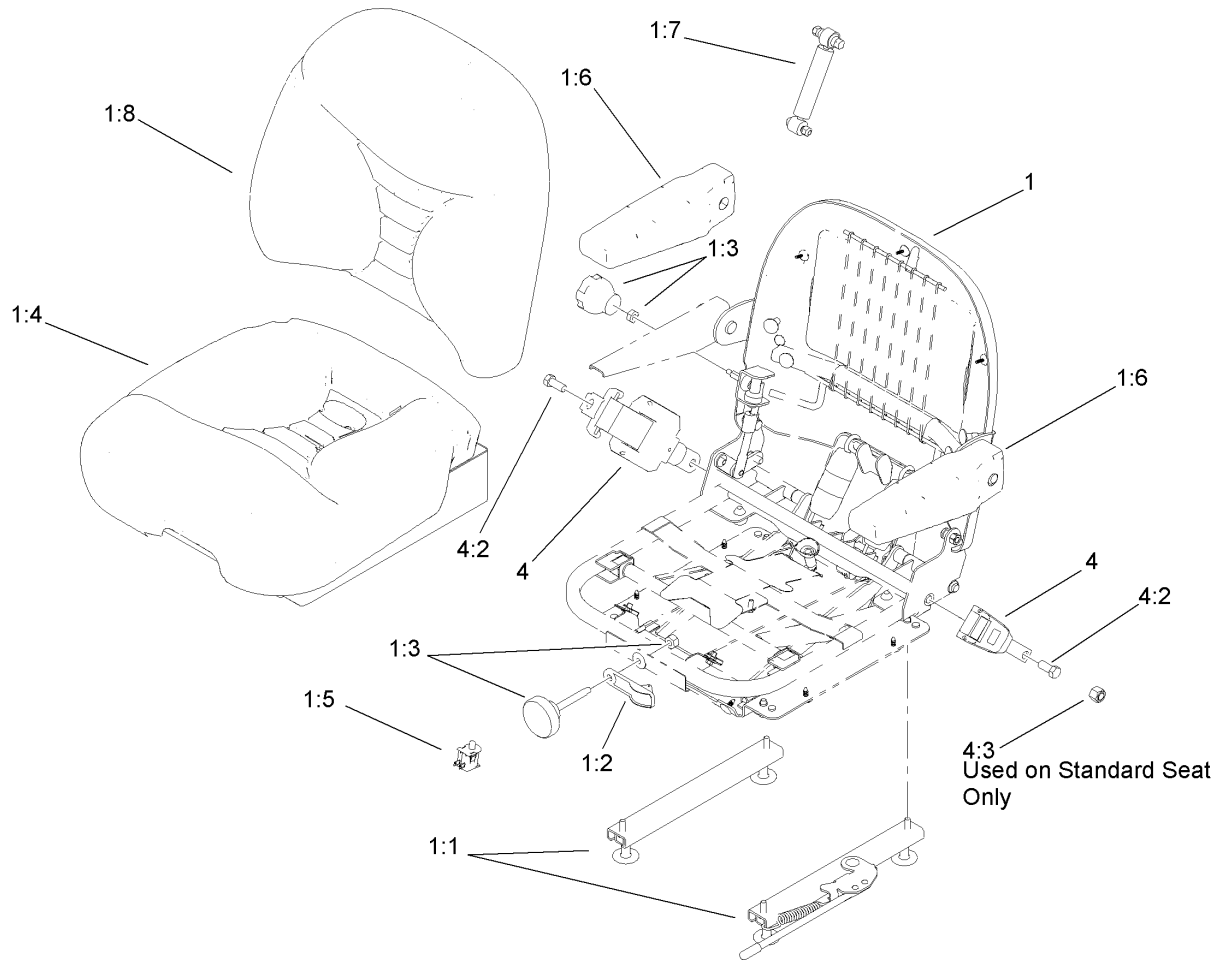


## Traction Frame and Floor Pan Assembly

| Ref  | Part No.    | Qty. | Description            |
|------|-------------|------|------------------------|
| 1    | 322-43      | 6    | Screw-HH               |
| 2    | 3256-70     | 4    | Washer-Flat            |
| 3    | 3296-42     | 4    | Nut-Lock, NI           |
| 6    | 110-6212    | 1    | Main Frame ASM         |
| 6:2  | 106-9989    | 1    | Decal-Warning          |
| 6:3  | 106-7492    | 1    | Decal-Danger           |
| 6:4  | 110-0819    | 1    | Decal-Console, Top     |
| 6:5  | 98-5954     | 1    | Decal-Cover, Missing   |
| 6:6  | 32148-11    | 7    | Insert-Threaded        |
| 7    | 107-1865    | 2    | R-Clamp                |
| 8    | 104-7050    | 1    | Housing-Manual         |
| 9    | 3296-39     | 2    | Nut-Lock, NI           |
| 10   | 1-633964-03 | 1    | Stop-Brake, Park       |
| 11   | 323-20      | 2    | Screw-HH               |
| 12   | 323-6       | 2    | Screw-HH               |
| 13   | 107-1858    | 1    | Floorpan               |
| 13:2 | 98-4387     | 1    | Decal-Protection, Ear  |
| 13:3 | 107-1864    | 1    | Decal-Location, Manual |
| 14   | 3258-166    | 2    | Screw-PRH              |
| 15   | 106-7488-03 | 1    | Hinge-Floorpan, LH     |
| 16   | 3296-59     | 2    | Nut-Lock, NI           |
| 17   | 104-7048    | 1    | Cap-Housing            |
| 18   | 321-4       | 2    | Screw-HH               |
| 19   | 106-7489-03 | 1    | Hinge-Floorpan, RH     |

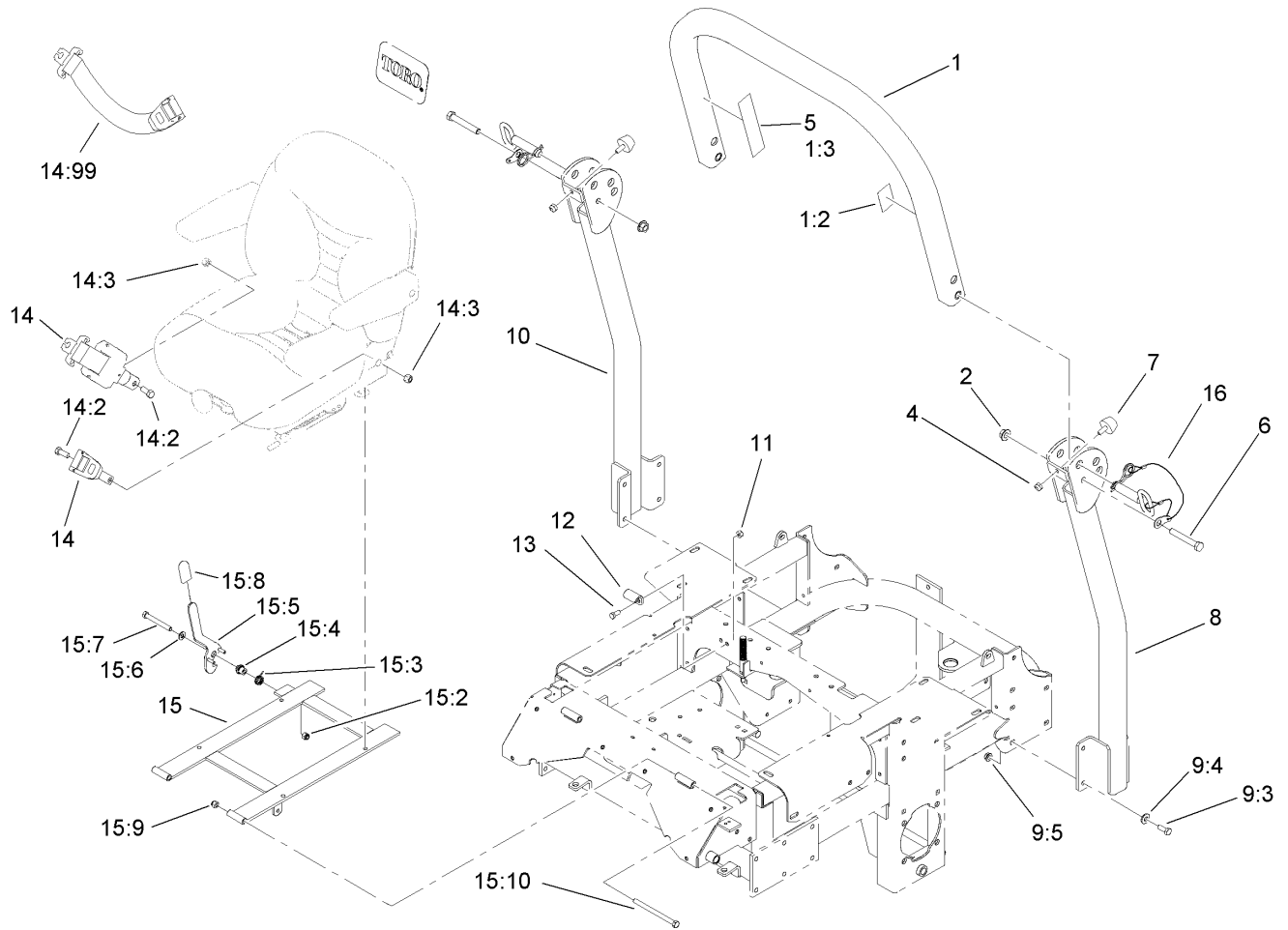
| Ref | Part No. | Qty. | Description |
|-----|----------|------|-------------|
| 20  | 106-7498 | 1    | Pocket      |





## Deluxe Seat Assembly No. 110-0838

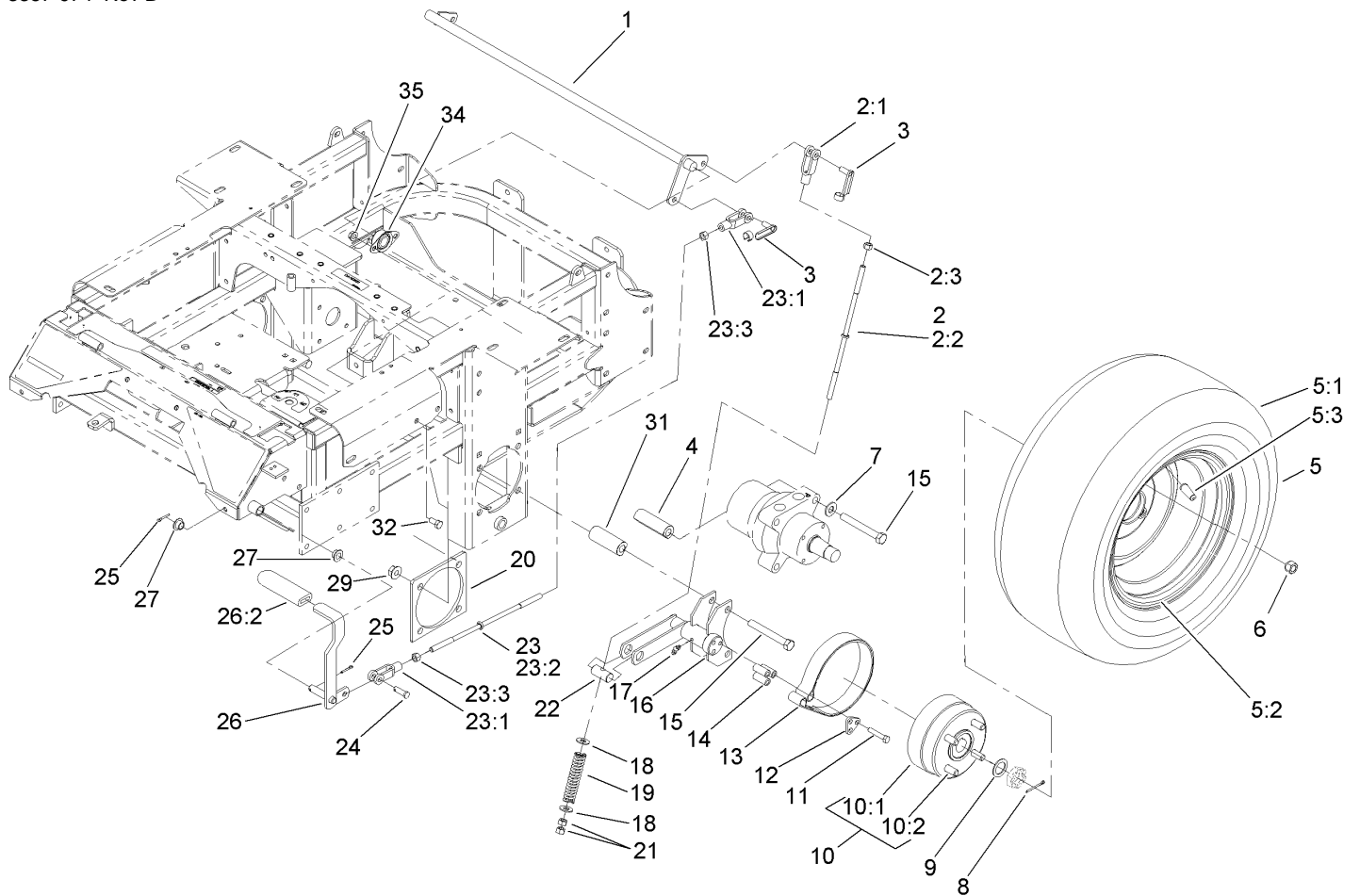
| Ref | Part No. | Qty. | Description              |
|-----|----------|------|--------------------------|
| 1   |          | 1    | Seat ASM                 |
| 1:1 | 107-1880 | 1    | Seat Track Kit           |
| 1:2 | 107-1885 | 1    | Weight Indicator Kit     |
| 1:3 | 107-1881 | 1    | Knob Kit                 |
| 1:4 | 107-1883 | 1    | Bottom Cushion Kit       |
| 1:5 | 107-1886 | 1    | Switch Kit               |
| 1:6 | 107-1887 | 1    | Armrest Kit              |
| 1:7 | 107-1884 | 1    | Shock Absorber Kit       |
| 1:8 | 107-1882 | 1    | Back Cushion Kit         |
| 4   | 110-0883 | 1    | Retractable Seatbelt Kit |
| 4:2 | 3212-4   | 2    | Screw-HH                 |
| 4:3 | 3296-7   | 2    | Nut-Lock                 |



## Roll-Over Protection System Assembly No. 110-0877

| Ref   | Part No. | Qty. | Description                      |
|-------|----------|------|----------------------------------|
| ②1    |          | 1    | Upper Tube ASM                   |
| 1:2   | 107-2101 | 1    | Decal-ROPS                       |
| 1:3   | 107-2102 | 1    | Decal-Warning, Folding ROPS      |
| 2     | 32128-23 | 2    | Nut-HF                           |
| 4     | 3296-73  | 2    | Nut-Lock, NI                     |
| 5     | 107-3069 | 1    | Decal-Warning, Folding ROPS (Ce) |
| 6     | 325-13   | 2    | Screw-HH                         |
| 7     | 109-2365 | 2    | Bumper-Rubber (W/Stud)           |
| ②8    |          | 1    | Tube-Support, LH                 |
| ①9    |          | 1    | Bag-Bolt, ROPS                   |
| 9:3   | 323-6    | 8    | Screw-HH                         |
| 9:4   | 98-5975  | 8    | Washer-Belleville                |
| 9:5   | 3290-357 | 8    | Nut-HHF, Whiz                    |
| ②10   |          | 1    | Tube-Support, RH                 |
| 11    | 3296-29  | 2    | Nut-Lock, NI                     |
| 12    | 107-3058 | 1    | Catch-Latch, Seat                |
| 13    | 322-3    | 2    | Screw-HH                         |
| 14    | 110-0883 | 1    | Retractable Seatbelt Kit         |
| 14:2  | 3212-4   | 2    | Screw-HH                         |
| 14:3  | 3296-7   | 2    | Nut-Lock                         |
| 14:99 | 109-6226 | 1    | Seat Belt Extension Kit          |
| 15    | 110-0874 | 1    | Seatframe ASM                    |
| 15:2  | 3296-39  | 1    | Nut-Lock, NI                     |

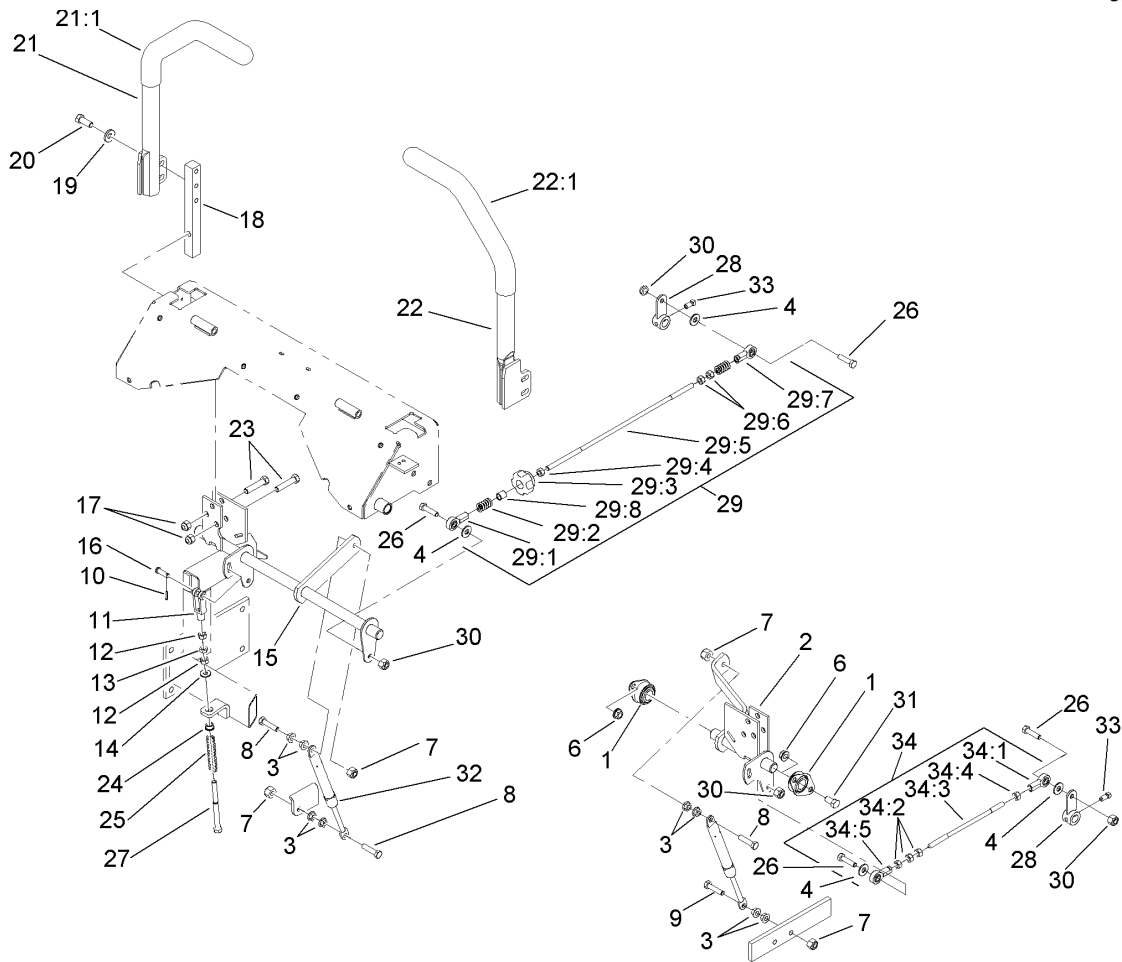
| Ref   | Part No. | Qty. | Description         |
|-------|----------|------|---------------------|
| 15:3  | 107-0076 | 1    | Spring-Torsion      |
| 15:4  | 107-0075 | 1    | Bushing-Latch, Seat |
| 15:5  | 107-3083 | 1    | Latch ASM           |
| 15:6  | 3256-24  | 1    | Washer-Flat         |
| 15:7  | 323-20   | 1    | Screw-HH            |
| 15:8  | 103-4434 | 1    | Grip-Lever          |
| 15:9  | 3296-39  | 2    | Nut-Lock, NI        |
| 15:10 | 323-39   | 2    | Screw-HH            |
| 16    | 103-4553 | 2    | ROPS Fold Pin ASM   |



## Parking Brake and Wheel Assembly

| Ref  | Part No.    | Qty. | Description          |
|------|-------------|------|----------------------|
| 1    | 1-632217-03 | 1    | Shaft-Brake          |
| 2    | 108-5963    | 2    | Brake Rod ASM        |
| 2:1  | 1-633131    | 1    | Yoke-Linkage, Brake  |
| 2:2  | 108-5980    | 1    | Rod, Brake           |
| 2:3  | 3219-3      | 1    | Nut-Hex              |
| 3    | 103-2399    | 3    | Pin-Spring, Clevis   |
| 4    | 114-1185    | 4    | Spacer-Wheel, Long   |
| 5    | 1-633970    | 2    | Wheel And Tire ASM   |
| 5:1  | 1-633993    | 1    | Tire                 |
| 5:2  | 1-633992    | 1    | Wheel Rim            |
| 5:3  | 232-27      | 1    | Stem-Valve           |
| 6    | 242-50      | 8    | Nut-Lug              |
| 7    | 87-7270     | 4    | Washer-Thrust        |
| 8    | 1-806800    | 2    | Pin-Cotter           |
| 9    | 1-523157    | 2    | Washer-Spacer        |
| 10   | 103-0590    | 2    | Hub And Wheel ASM    |
| 10:1 | 103-0589    | 1    | Wheel Hub ASM        |
| 10:2 | 1-633926    | 4    | Stud-Wheel           |
| 11   | 322-9       | 6    | Screw-HH             |
| 12   | 103-0374    | 2    | Retainer-Band, Brake |
| 13   | 103-0355    | 2    | Band-Brake           |
| 14   | 103-0384    | 6    | Spacer               |
| 15   | 325-18      | 8    | Screw-HH             |
| 16   | 103-0352-03 | 2    | Bracket-Brake        |

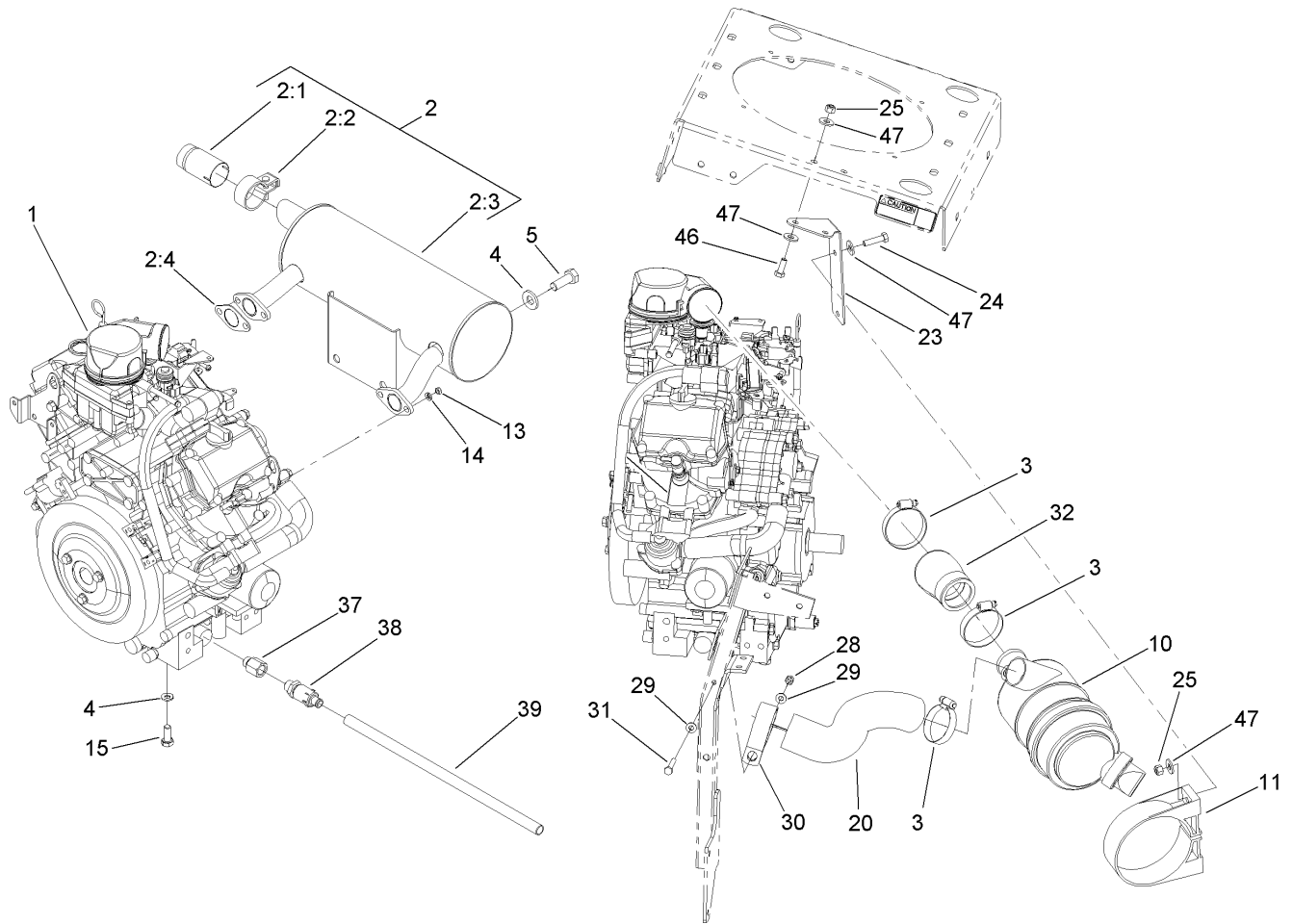
| Ref  | Part No.    | Qty. | Description          |
|------|-------------|------|----------------------|
| 17   | 1481        | 2    | Fitting-Grease       |
| 18   | 3256-4      | 4    | Washer-Flat          |
| 19   | 1-633454    | 2    | Spring-Brake         |
| 20   | 103-3271-03 | 2    | Plate-Reinforcement  |
| 21   | 3219-3      | 4    | Nut-Hex              |
| 22   | 1-633144    | 2    | Pin-Trunion          |
| 23   | 108-5962    | 1    | Brake Rod ASM        |
| 23:1 | 1-633131    | 2    | Yoke-Linkage, Brake  |
| 23:2 | 1-633477    | 1    | Rod-Brake            |
| 23:3 | 3219-3      | 2    | Nut-Hex              |
| 24   | 1-808285    | 1    | Pin-Clevis           |
| 25   | 3272-10     | 2    | Pin-Cotter           |
| 26   | 1-634500    | 1    | Brake Lever ASM      |
| 26:2 | 1-633268    | 1    | Grip-Lever, Brake    |
| 27   | 1-513140    | 2    | Bearing-Control      |
| 29   | 32128-49    | 8    | Nut-HHF              |
| 31   | 114-1184    | 4    | Spacer-Wheel, Short  |
| 32   | 323-4       | 4    | Screw-HH             |
| 34   | 1-633102    | 2    | Bearing-Flange, Side |
| 35   | 3290-357    | 4    | Nut-HHF, Whiz        |



## Hydro Control Assembly

| Ref  | Part No. | Qty. | Description           |
|------|----------|------|-----------------------|
| 1    | 1-633102 | 4    | Bearing-Flange, Side  |
| 2    | 107-3480 | 1    | LH Motion Control ASM |
| 3    | 32128-20 | 10   | Nut-HF                |
| 4    | 3256-3   | 4    | Washer-Flat           |
| 6    | 3290-357 | 6    | Nut-HHF, Whiz         |
| 7    | 3296-29  | 4    | Nut-Lock, NI          |
| 8    | 1-403180 | 3    | Screw-HH              |
| 9    | 322-41   | 1    | Screw-HH              |
| 10   | 3272-5   | 2    | Pin-Cotter            |
| 11   | 1-303105 | 2    | Yoke-Adjustable       |
| 12   | 3219-2   | 4    | Nut-Hex               |
| 13   | 3220-2   | 2    | Nut-Jam               |
| 14   | 3256-2   | 2    | Washer-Flat           |
| 15   | 107-3481 | 1    | RH Motion Control ASM |
| 16   | 1-808280 | 2    | Pin-Clevis            |
| 17   | 3296-39  | 6    | Nut-Lock, NI          |
| 18   | 103-0407 | 2    | Arm-Shaft, Control    |
| 19   | 98-5975  | 4    | Washer-Belleville     |
| 20   | 323-6    | 4    | Screw-HH              |
| 21   | 108-7237 | 1    | RH Lever ASM          |
| 21:1 | 106-9987 | 1    | Grip-Control, Motion  |
| 22   | 108-7238 | 1    | LH Lever ASM          |
| 22:1 | 106-9987 | 1    | Grip-Control, Motion  |
| 23   | 323-9    | 6    | Screw-HH              |

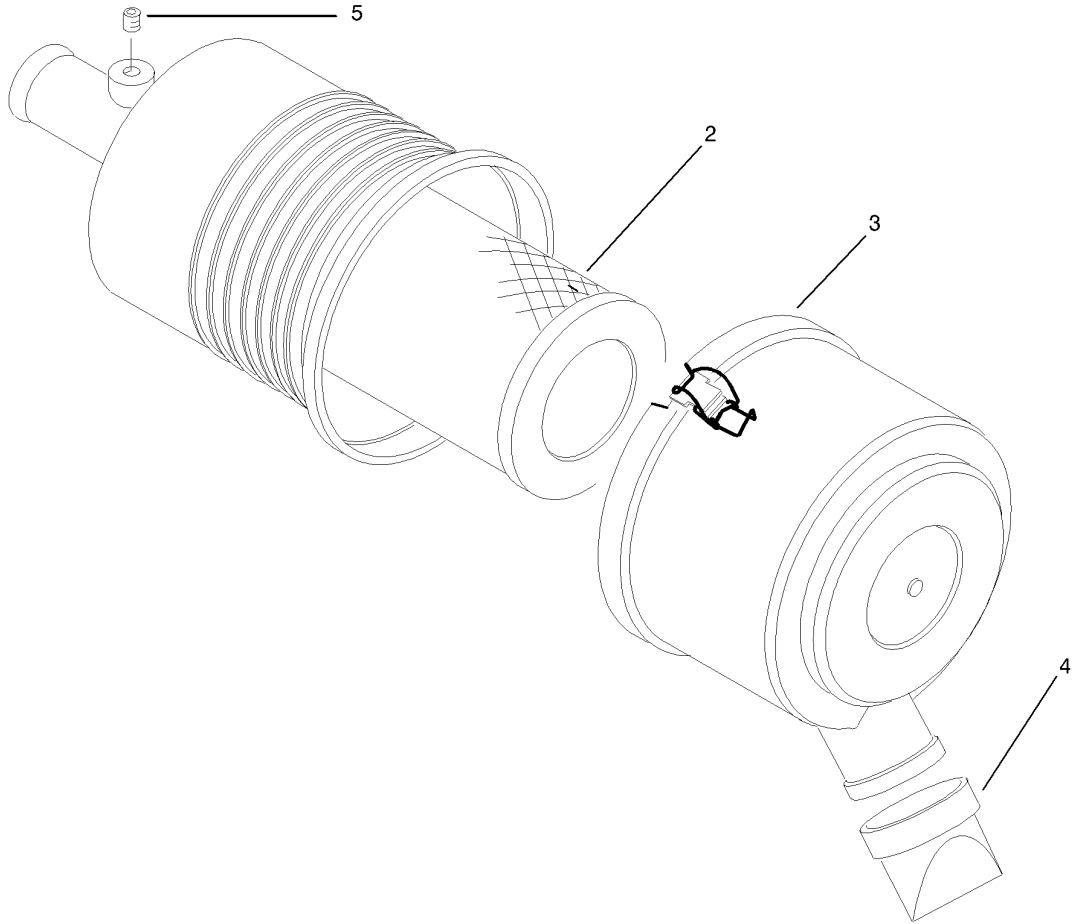
| Ref  | Part No.    | Qty. | Description               |
|------|-------------|------|---------------------------|
| 24   | 1-603735    | 2    | Bushing-Flanged           |
| 25   | 1-603807    | 2    | Spring-Return, Neutral    |
| 26   | 322-5       | 4    | Screw-HH                  |
| 27   | 1-603737    | 2    | Bolt-Return, Neutral      |
| 28   | 107-3470-03 | 2    | Hydraulic Control Arm ASM |
| 29   | 107-3474    | 1    | RH Control Rod ASM        |
| 29:1 | 1-543017    | 1    | Balljoint-RH              |
| 29:2 | 1-323245    | 2    | Spring-Compression        |
| 29:3 | 103-3060    | 1    | Knob-Tracking             |
| 29:4 | 3219-2      | 1    | Nut-Hex                   |
| 29:5 | 107-3472    | 1    | Rod-Control, RH           |
| 29:6 | 1-804524    | 2    | Nut                       |
| 29:7 | 1-633152    | 1    | Balljoint-LH              |
| 29:8 | 103-1166    | 1    | Spacer-Tube, Pump Link    |
| 30   | 3296-47     | 4    | Nut-Lock, NI              |
| 31   | 323-4       | 6    | Screw-HH                  |
| 32   | 109-2339    | 2    | Damper-Control, Motion    |
| 33   | 1-803022    | 2    | Screw-Set                 |
| 34   | 107-3475    | 1    | LH Control Rod ASM        |
| 34:1 | 1-543017    | 1    | Balljoint-RH              |
| 34:2 | 3219-2      | 3    | Nut-Hex                   |
| 34:3 | 107-3473    | 1    | Rod-Control, LH           |
| 34:4 | 1-804524    | 1    | Nut                       |
| 34:5 | 1-633152    | 1    | Balljoint-LH              |



## Engine, Muffler and Air Cleaner Assembly

| Ref | Part No.    | Qty. | Description                  |
|-----|-------------|------|------------------------------|
| 1   |             | 1    | Engine-Kawasaki, Fd791D-As07 |
| 2   | 105-1678    | 1    | Muffler Kit (W/ Arrester)    |
| 2:1 | 103-1511    | 1    | Arrestor-Spark               |
| 2:2 | 103-1512    | 1    | Clamp-Muffler                |
| 2:3 | 103-2759    | 1    | Muffler                      |
| 2:4 | 103-1564    | 2    | Gasket-Exhaust               |
| 3   | 2412-42     | 3    | Clamp-Hose                   |
| 4   | 98-5975     | 6    | Washer-Belleville            |
| 5   | 33115-020   | 2    | Screw-HH                     |
| 10  | 95-5805     | 1    | Air Cleaner ASM              |
| 11  | 95-5806     | 1    | Bracket-Mounting             |
| 13  | 33013-00    | 2    | Nut-Hex                      |
| 14  | 1-805004    | 2    | Washer-Lock                  |
| 15  | 33115-025   | 4    | Screw-HH                     |
| 20  | 110-6227    | 1    | Hose-Air Cleaner, Inlet      |
| 23  | 110-6226-03 | 1    | Bracket-Mount, Ac            |
| 24  | 322-6       | 2    | Screw-HH                     |
| 25  | 3296-29     | 4    | Nut-Lock, NI                 |
| 28  | 3296-42     | 1    | Nut-Lock, NI                 |
| 29  | 3256-22     | 2    | Washer-Flat                  |
| 30  | 110-6245    | 1    | Clamp-R                      |
| 31  | 321-10      | 1    | Screw-HH                     |
| 32  | 110-6222    | 1    | Hose-Air Cleaner, Outlet     |
| 37  | 109-0878    | 1    | Adapter                      |

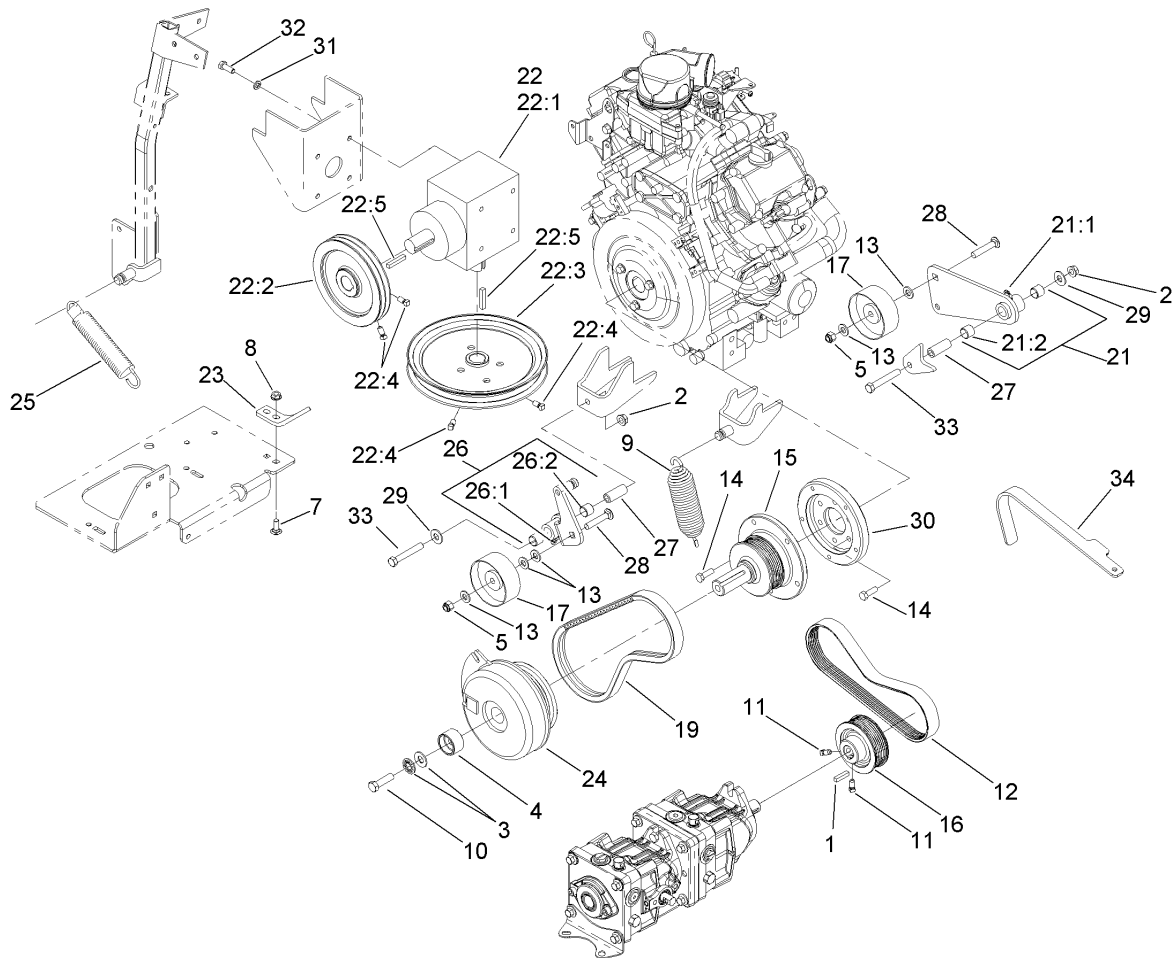
| Ref | Part No. | Qty. | Description      |
|-----|----------|------|------------------|
| 38  | 92-6877  | 1    | Valve-Drain, Oil |
| 39  | 106-7022 | 1    | Tube-Drain, Oil  |
| 46  | 322-4    | 2    | Screw-HH         |
| 47  | 3256-3   | 8    | Washer-Flat      |



### Air Cleaner Assembly No. 95-5805

| Ref | Part No. | Qty. | Description    |
|-----|----------|------|----------------|
| 2   | 108-3811 | 1    | Filter-Air     |
| 3   | 94-3652  | 1    | Cover ASM      |
| 4   | 87-9400  | 1    | Valve-Vacuator |
| 5   | 285-17   | 1    | Plug-Pipe      |

| Ref | Part No. | Qty. | Description |
|-----|----------|------|-------------|
|     |          |      |             |
|     |          |      |             |
|     |          |      |             |
|     |          |      |             |

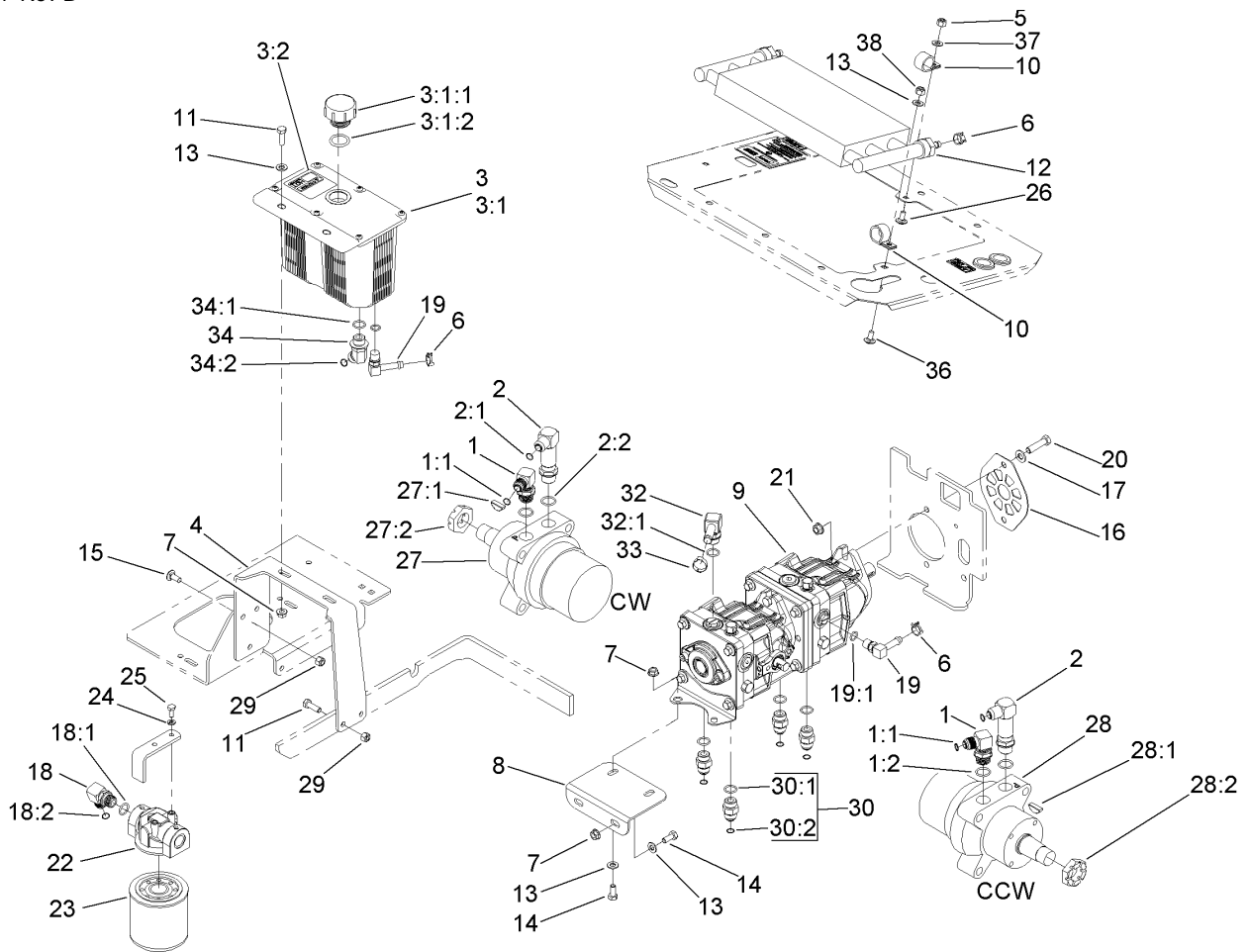


## Hydro and Gearbox Drive Assembly

| Ref  | Part No.  | Qty. | Description      |
|------|-----------|------|------------------|
| 1    | 5-0698    | 1    | Key              |
| 2    | 3290-357  | 2    | Nut-HHF, Whiz    |
| 3    | 1-603610  | 2    | Washer-Spring    |
| 4    | 110-0854  | 1    | Retainer-Clutch  |
| 5    | 3296-39   | 2    | Nut-Lock, NI     |
| 7    | 3230-16   | 2    | Screw-CARR       |
| 8    | 32128-25  | 2    | Nut-HF           |
| 9    | 109-0148  | 1    | Spring-Extension |
| 10   | 3212-6    | 1    | Screw-HH         |
| 11   | 1-803022  | 2    | Screw-Set        |
| 12   | 107-9910  | 1    | Belt-V           |
| 13   | 3256-24   | 5    | Washer-Flat      |
| 14   | 33114-025 | 11   | Screw-HH         |
| 15   | 110-6248  | 1    | Shaft-Stub       |
| 16   | 110-3864  | 1    | Pulley           |
| 17   | 108-5910  | 2    | Pulley-Flat      |
| 19   | 110-5759  | 1    | Belt-V           |
| 21   | 110-6216  | 1    | Idler Arm ASM    |
| 21:1 | 1481      | 1    | Fitting-Grease   |
| 21:2 | 103-4681  | 2    | Sleeve-Bearing   |
| 22   |           | 1    | Gearbox ASM      |
| 22:1 | 110-5771  | 1    | Gearbox-90 DEG   |
| 22:2 | 110-3862  | 1    | Pulley           |
| 22:3 | 110-0892  | 1    | Pulley           |

| Ref  | Part No. | Qty. | Description            |
|------|----------|------|------------------------|
| 22:4 | 1-803022 | 4    | Screw-Set              |
| 22:5 | 67-7490  | 2    | Key-Square             |
| 23   | 110-6217 | 1    | Bracket-Clutch Stop    |
| 24   | 110-5799 | 1    | Clutch-Electromagnetic |
| 25   | 1-513308 | 1    | Spring-Idler, Deck     |
| 26   | 110-6215 | 1    | Idler Arm ASM          |
| 26:1 | 1481     | 1    | Fitting-Grease         |
| 26:2 | 103-4681 | 2    | Sleeve-Bearing         |
| 27   | 1-603044 | 2    | Bushing                |
| 28   | 3231-6   | 2    | Screw-CARR             |
| 29   | 3256-4   | 2    | Washer-Flat            |
| 30   | 110-6249 | 1    | Adapter-Shaft, Stub    |
| 31   | 3253-4   | 4    | Washer-Lock            |
| 32   | 322-4    | 4    | Screw-HH               |
| 33   | 323-12   | 2    | Screw-HH               |
| 34   | 110-0876 | 1    | Tool-Alignment, Pulley |



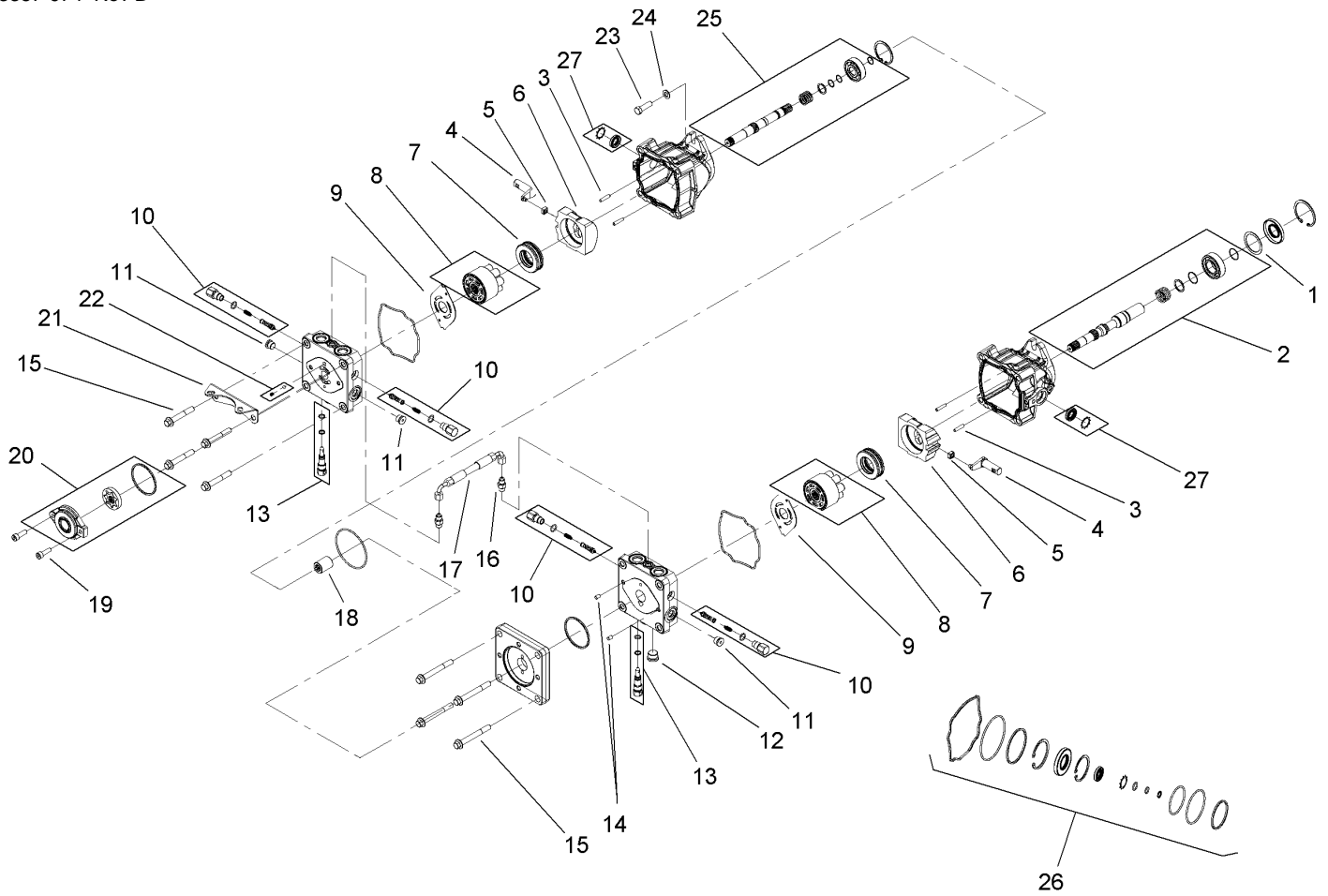


## Hydraulic Tank, Motor and Pump Assembly

| Ref   | Part No.    | Qty. | Description             |
|-------|-------------|------|-------------------------|
| 1     | 1-633605    | 2    | Fitting-HYD, 90 DEG     |
| 1:1   | 1-603992    | 1    | O-Ring                  |
| 1:2   | 237-80      | 1    | O-Ring                  |
| 2     | 108-5323    | 2    | Fitting-Elbow-90        |
| 2:1   | 1-603992    | 1    | O-Ring                  |
| 2:2   | 237-80      | 1    | O-Ring                  |
| 3     | 108-5315    | 1    | Hydraulic Tank ASM      |
| 3:1   |             | 1    | Tank-Hydraulic          |
| 3:1:1 | 103-1948    | 1    | Cap-Reservoir, HYD      |
| 3:1:2 | 103-1949    | 1    | Gasket-Cap              |
| 3:2   | 1-523552    | 1    | Decal-Tank, HYD         |
| 4     | 108-5352-03 | 1    | Bracket-Tank, Hydraulic |
| 5     | 3296-42     | 1    | Nut-Lock, NI            |
| 6     | 110-6242    | 4    | Clamp-Hose              |
| 7     | 32128-20    | 6    | Nut-HF                  |
| 8     | 107-3462-03 | 1    | Bracket-Pump, Front     |
| 9     | 110-5757    | 1    | Tandem Pump ASM         |
| 10    | 110-0824    | 3    | R-Clamp                 |
| 11    | 322-5       | 3    | Screw-HH                |
| 12    | 114-4403    | 1    | Cooler-Oil, Hydro       |
| 13    | 3256-23     | 8    | Washer-Flat             |
| 14    | 322-4       | 4    | Screw-HH                |
| 15    | 3230-23     | 3    | Screw-CARR              |
| 16    | 108-5367-03 | 1    | Plate-Shield, Pump      |

| Ref  | Part No. | Qty. | Description           |
|------|----------|------|-----------------------|
| 17   | 3256-24  | 2    | Washer-Flat           |
| 18   | 103-2153 | 1    | Fitting-90 DEG        |
| 18:1 | 1-603920 | 1    | O-Ring                |
| 18:2 | 1-603992 | 1    | O-Ring                |
| 19   | 109-6449 | 2    | Fitting-Elbow, 90     |
| 19:1 | 1-603921 | 1    | O-Ring                |
| 20   | 323-8    | 2    | Screw-HH              |
| 21   | 3290-357 | 2    | Nut-HHF, Whiz         |
| 22   | 86-9080  | 1    | Head-Filter           |
| 23   | 67-8110  | 1    | Cartridge-Filter, Oil |
| 24   | 1-805004 | 2    | Washer-Lock           |
| 25   | 321-3    | 2    | Screw-HH              |
| 26   | 3229-11  | 1    | Screw-CARR            |
| 27   | 107-9886 | 1    | Motor-Wheel, Cw       |
| 27:1 | 3257-42  | 1    | Key-Woodruff          |
| 27:2 | 1-809036 | 1    | Nut-HH                |
| 28   | 108-5917 | 1    | Motor-Wheel, Ccw      |
| 28:1 | 3257-42  | 1    | Key-Woodruff          |
| 28:2 | 1-809036 | 1    | Nut-HH                |
| 29   | 3296-29  | 4    | Nut-Lock, NI          |
| 30   | 1-603990 | 4    | Fitting-Straight      |
| 30:1 | 1-603920 | 1    | O-Ring                |
| 30:2 | 1-603992 | 1    | O-Ring                |
| 32   | 108-5316 | 1    | Fitting-Elbow, 90 DEG |

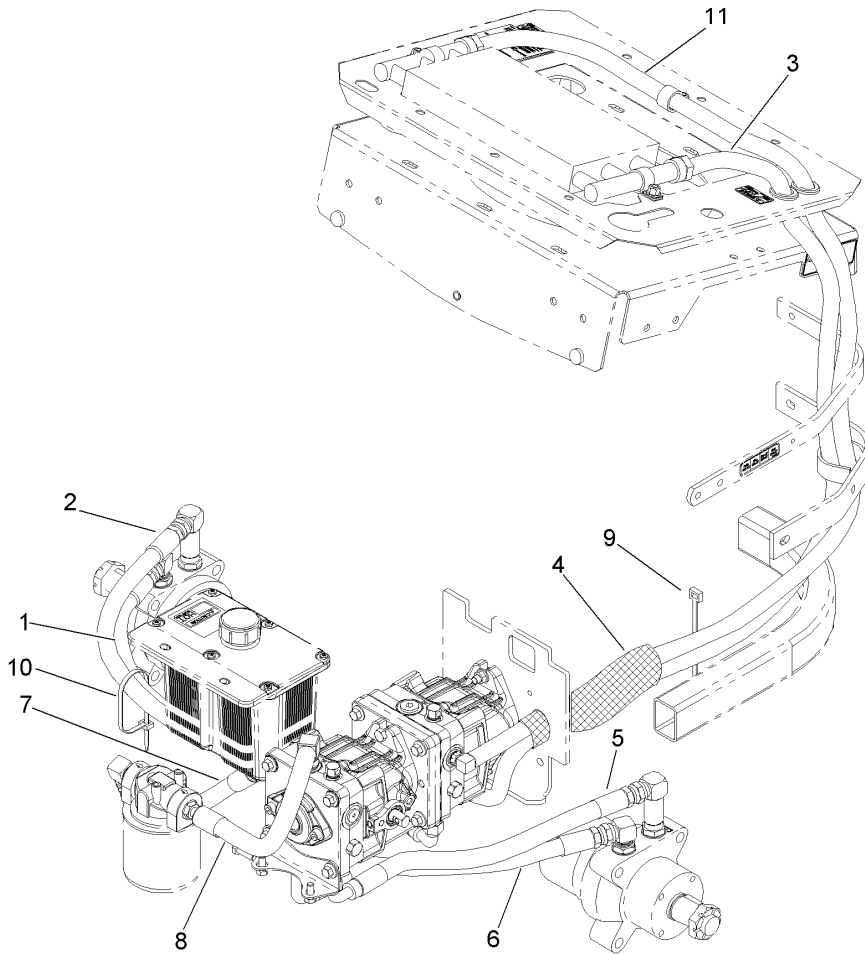




## Tandem Pump Assembly No. 110-5757

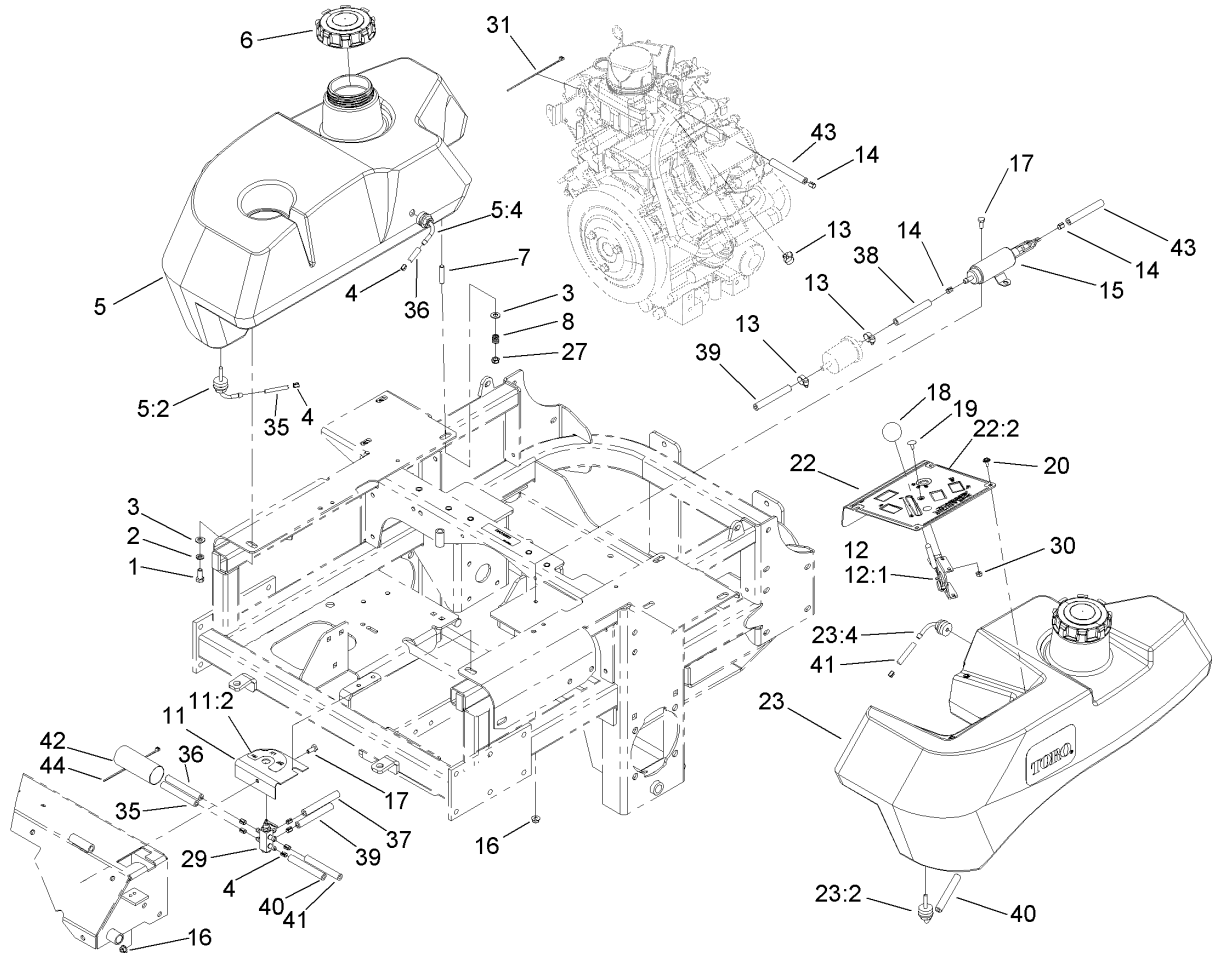
| Ref | Part No. | Qty. | Description            |
|-----|----------|------|------------------------|
| 1   | 112-4168 | 1    | Spacer                 |
| 2   | 112-4151 | 1    | Input Pump Shaft Kit   |
| 3   | 106-8753 | 4    | Pin-Headless, Straight |
| 4   | 112-4152 | 2    | Arm-Trunnion           |
| 5   | 94-1910  | 2    | Guide-Slot             |
| 6   | 112-4153 | 2    | Swashplate             |
| 7   | 112-4154 | 2    | Bearing-Thrust         |
| 8   | 108-2112 | 2    | Cylinder Block Kit     |
| 9   | 108-6801 | 2    | Plate-Valve            |
| 10  | 112-4155 | 4    | Shock Valve Kit        |
| 11  | 104-2189 | 3    | Plug-Thread, Straight  |
| 12  | 112-4156 | 1    | Plug-Steel             |
| 13  | 106-8759 | 2    | Bypass Valve Kit       |
| 14  | 104-2170 | 2    | Pin                    |
| 15  | 112-4157 | 8    | Bolt                   |
| 16  | 112-4158 | 2    | Fitting-Straight       |
| 17  | 112-4159 | 1    | Hose ASM               |
| 18  | 112-4160 | 1    | Coupling               |
| 19  | 112-4161 | 2    | Bolt                   |
| 20  | 112-4162 | 1    | Charge Pump Kit        |
| 21  | 112-4163 | 1    | Bracket-Support, Pump  |
| 22  | 112-4164 | 1    | Charge Relief Kit      |
| 23  | 112-4165 | 2    | Bolt-HSH               |
| 24  | 112-4166 | 2    | Washer                 |

| Ref | Part No. | Qty. | Description           |
|-----|----------|------|-----------------------|
| 25  | 112-4167 | 1    | Second Pump Shaft Kit |
| 26  | 112-4150 | 1    | Overhaul Seal Kit     |
| 27  | 114-8155 | 2    | Trunnion Seal Kit     |



## Hydraulic Hose Routing Assembly

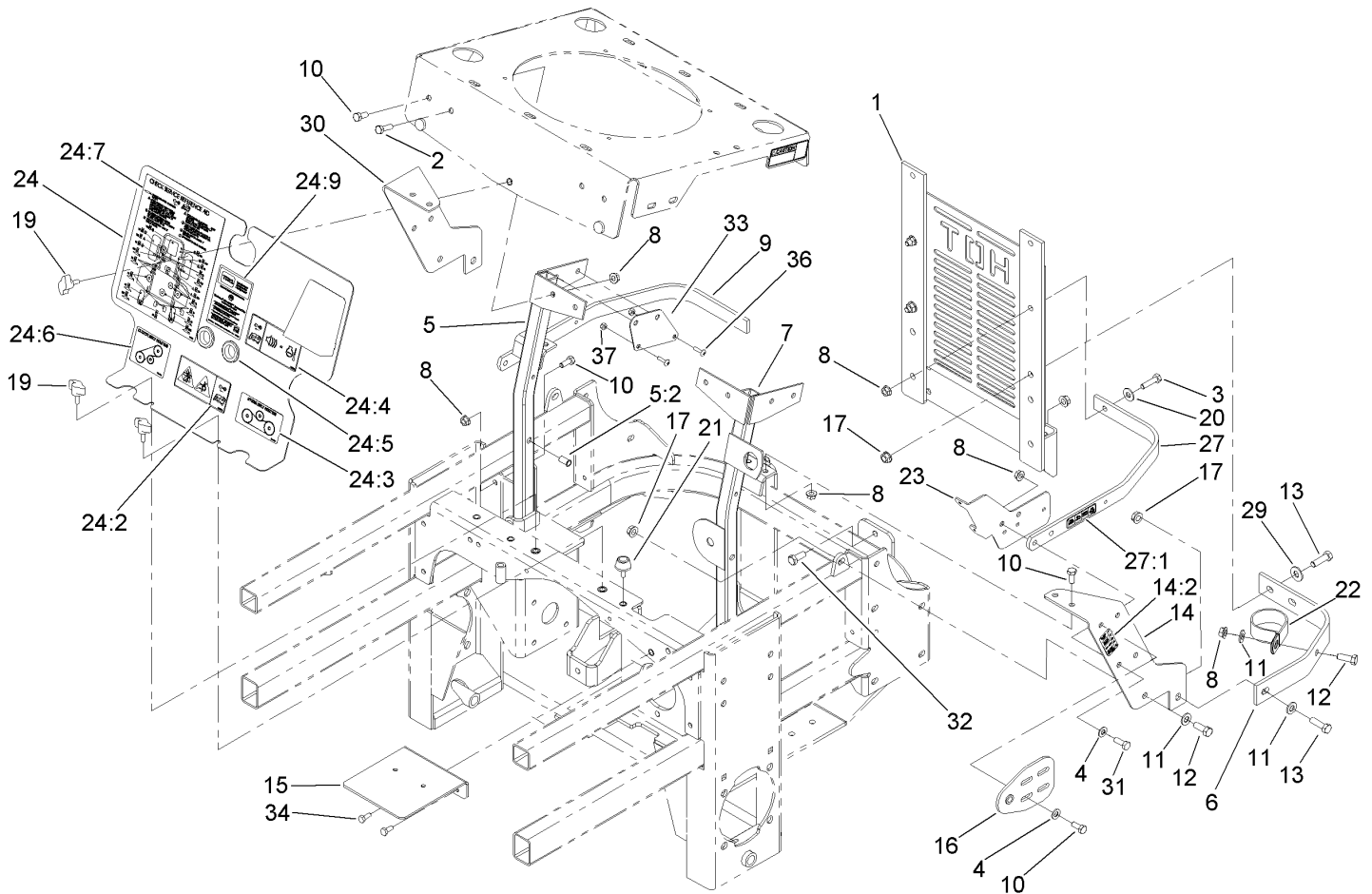
| Ref | Part No. | Qty. | Description        |
|-----|----------|------|--------------------|
| 1   | 110-5789 | 1    | Hydraulic Hose ASM |
| 2   | 110-5790 | 1    | Hydraulic Hose ASM |
| 3   | 110-6238 | 1    | Hose-Hydraulic     |
| 4   | 114-4406 | 1    | Sleeve-Fabric      |
| 5   | 110-5792 | 1    | Hydraulic Hose ASM |
| 6   | 110-5791 | 1    | Hydraulic Hose ASM |
| 7   | 110-3854 | 1    | Hydraulic Hose ASM |
| 8   | 108-5374 | 1    | Hydraulic Hose ASM |
| 9   | 1-303335 | 1    | Tie-Plastic        |
| 10  | 1-809066 | 1    | Tie-Plastic        |
| 11  | 110-6239 | 1    | Hose-Hydraulic     |



## Fuel Tank, Lines and Filter Assembly

| Ref  | Part No. | Qty. | Description            |
|------|----------|------|------------------------|
| 1    | 322-3    | 2    | Screw-HH               |
| 2    | 1-805005 | 2    | Washer-Lock            |
| 3    | 3256-23  | 8    | Washer-Flat            |
| 4    | 1-643293 | 10   | Clamp-Hose, Fuel       |
| 5    | 110-0440 | 1    | Tank-Fuel, RH          |
| 5:2  | 103-2605 | 1    | Fitting-Fuel, Bulkhead |
| 5:4  | 103-2615 | 1    | Fitting-Fuel, Bulkhead |
| 6    | 109-0346 | 2    | Cap-Fuel, Gas          |
| 7    | 1-633023 | 6    | Stud                   |
| 8    | 1-633349 | 6    | Spring-Tank, Fuel      |
| 11   | 110-6247 | 1    | Fuel Valve Bracket ASM |
| 11:2 | 107-2114 | 1    | Decal-Valve, Fuel      |
| 12   | 110-6234 | 1    | Throttle Control ASM   |
| 12:1 | 112-2334 | 1    | Lever-Throttle         |
| 13   | 2412-108 | 3    | Clamp-Worm             |
| 14   | 1-643277 | 3    | Clamp-Hose, Fuel       |
| 15   | 109-0928 | 1    | Pump-Fuel              |
| 16   | 32128-33 | 3    | Nut-HF                 |
| 17   | 321-3    | 3    | Screw-HH               |
| 18   | 1-603175 | 1    | Knob-Ball              |
| 19   | 1-807513 | 2    | Bolt-CARR              |
| 20   | 109-2661 | 4    | Screw-PPH              |
| 22   | 110-6233 | 1    | Control Panel ASM      |
| 22:2 | 110-5772 | 1    | Decal-Control Panel    |

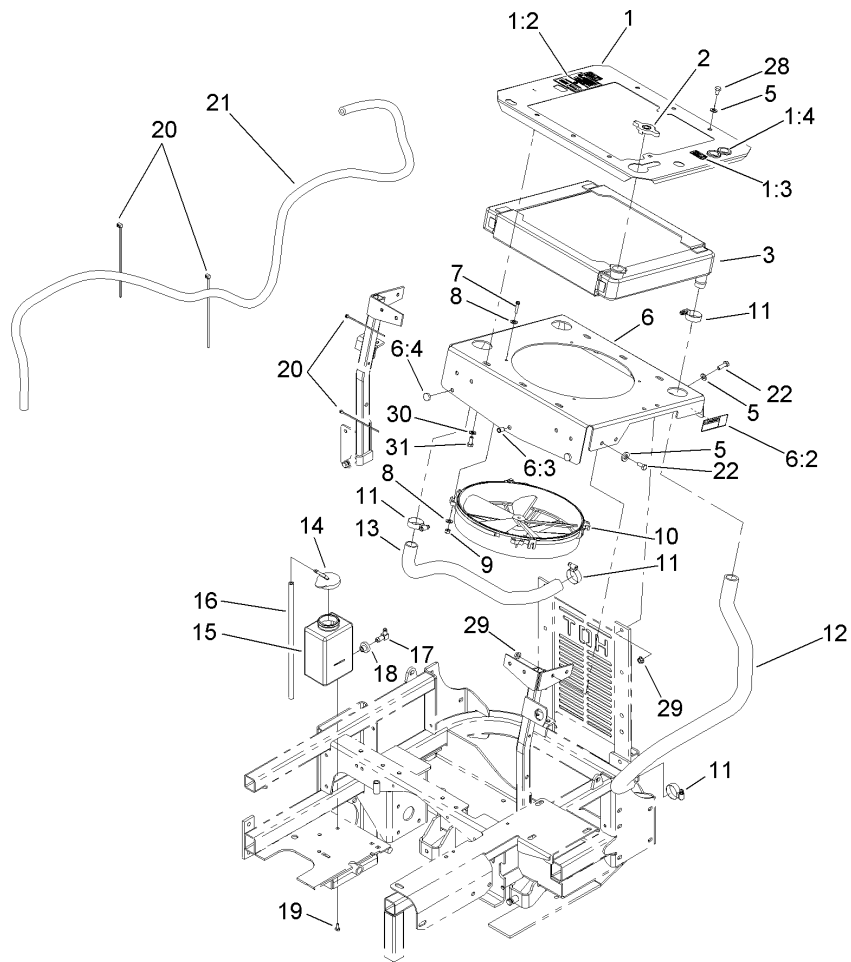
| Ref  | Part No. | Qty. | Description            |
|------|----------|------|------------------------|
| 23   | 110-0441 | 1    | Tank-Fuel, LH          |
| 23:2 | 103-2605 | 1    | Fitting-Fuel, Bulkhead |
| 23:4 | 103-2615 | 1    | Fitting-Fuel, Bulkhead |
| 27   | 3296-47  | 6    | Nut-Lock, NI           |
| 29   | 1-643234 | 1    | Valve-Fuel, Dual Flow  |
| 30   | 3296-2   | 2    | Nut-Lock               |
| 31   | 1-303287 | 1    | Tie-Plastic            |
| 35   | 109-0307 | 1    | Hose-Fuel              |
| 36   | 110-5702 | 1    | Hose-Fuel              |
| 37   | 109-0281 | 1    | Hose-Fuel              |
| 38   | 114-4416 | 1    | Hose-Fuel              |
| 39   | 109-0295 | 1    | Hose-Fuel              |
| 40   | 109-0305 | 1    | Hose-Fuel              |
| 41   | 109-0299 | 1    | Hose-Fuel              |
| 42   | 114-4406 | 1    | Sleeve-Fabric          |
| 43   | 114-4404 | 1    | Hose-Fuel              |
| 44   | 1-303287 | 3    | Tie-Plastic            |



## Engine Housing Assembly

| Ref  | Part No.    | Qty. | Description            |
|------|-------------|------|------------------------|
| 1    | 110-5779-03 | 1    | Rear Guard ASM         |
| 2    | 322-5       | 2    | Screw-HH               |
| 3    | 322-6       | 2    | Screw-HH               |
| 4    | 3256-23     | 8    | Washer-Flat            |
| 5    | 110-5793    | 1    | RH Radiator Brace ASM  |
| 5:2  | 32148-11    | 1    | Insert-Threaded        |
| 6    | 110-6235-03 | 2    | Strap-Guard            |
| 7    | 110-6213-03 | 1    | LH Radiator Brace ASM  |
| 8    | 32128-20    | 22   | Nut-HF                 |
| 9    | 1-633897-03 | 1    | Rib-Top                |
| 10   | 322-3       | 14   | Screw-HH               |
| 11   | 3256-24     | 5    | Washer-Flat            |
| 12   | 323-6       | 3    | Screw-HH               |
| 13   | 323-7       | 4    | Screw-HH               |
| 14   | 110-5795    | 1    | LH Support Bracket ASM |
| 14:2 | 110-5794    | 1    | Decal-Fuse             |
| 15   | 110-6230-03 | 1    | Bracket-Mount, Pump    |
| 16   | 108-5345-03 | 2    | Hood Pivot Plate ASM   |
| 17   | 3290-357    | 9    | Nut-HHF, Whiz          |
| 19   | 98-8332     | 3    | Knob                   |
| 20   | 3256-3      | 2    | Washer-Flat            |
| 21   | 109-2365    | 2    | Bumper-Rubber (W/Stud) |
| 22   | 110-6245    | 1    | Clamp-R                |
| 23   | 110-5798-03 | 1    | Bracket-Relay/Fuse     |

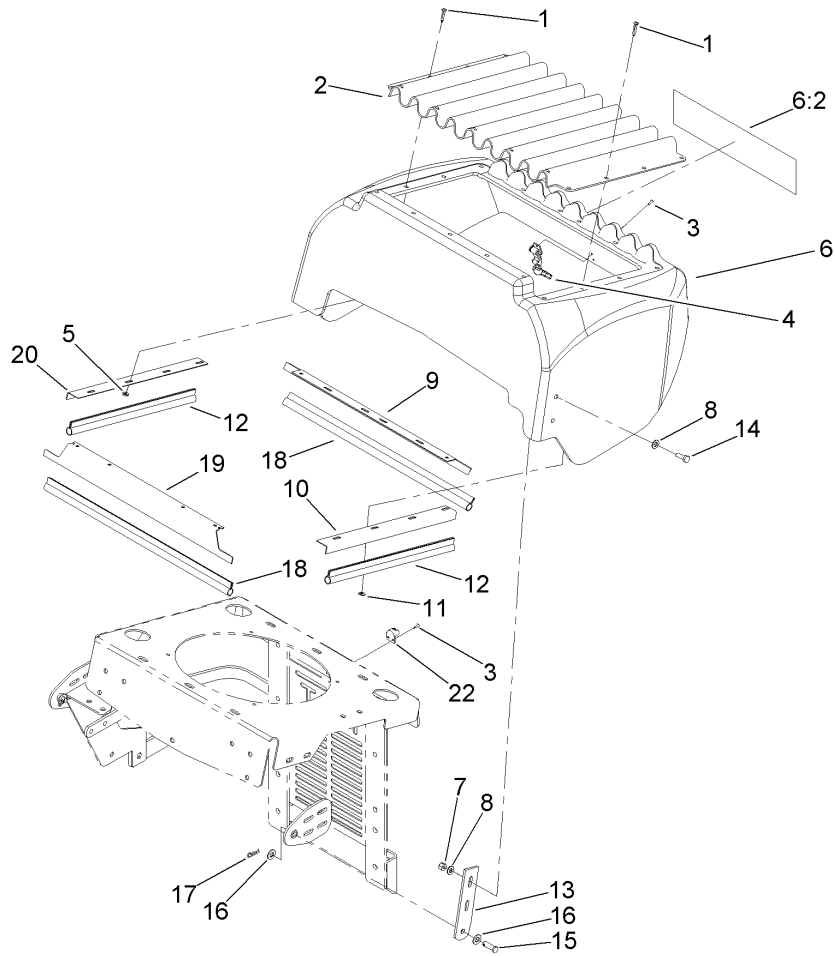
| Ref  | Part No.    | Qty. | Description                    |
|------|-------------|------|--------------------------------|
| 24   | 110-6219    | 1    | Front Shield ASM               |
| 24:2 | 110-3853    | 1    | Decal-Danger, Rotating Devices |
| 24:3 | 110-6220    | 1    | Decal-Routing, Hydro Belt      |
| 24:4 | 110-3852    | 1    | Decal-Buzzer, Warning          |
| 24:5 | 100-3815    | 2    | Grommet-Rubber                 |
| 24:6 | 110-6221    | 1    | Decal-Routing, Clutch Belt     |
| 24:7 | 110-3851    | 1    | Decal-Check, Service           |
| 24:9 | 104-2449    | 1    | Decal-Coolant                  |
| 27   | 110-5797    | 1    | Strap-Top W/Decal              |
| 27:1 | 1-633897-03 | 1    | Rib-Top                        |
| 29   | 3256-4      | 2    | Washer-Flat                    |
| 30   | 108-5339-03 | 1    | Bracket-Support, RH            |
| 31   | 322-4       | 4    | Screw-HH                       |
| 32   | 323-5       | 2    | Screw-HH                       |
| 33   | 110-5783-03 | 1    | Plate-Ecm Mount                |
| 34   | 321-3       | 2    | Screw-HH                       |
| 36   | 1-803075    | 2    | Screw-Head, Truss              |
| 37   | 3296-2      | 2    | Nut-Lock                       |



## Cooling System Assembly

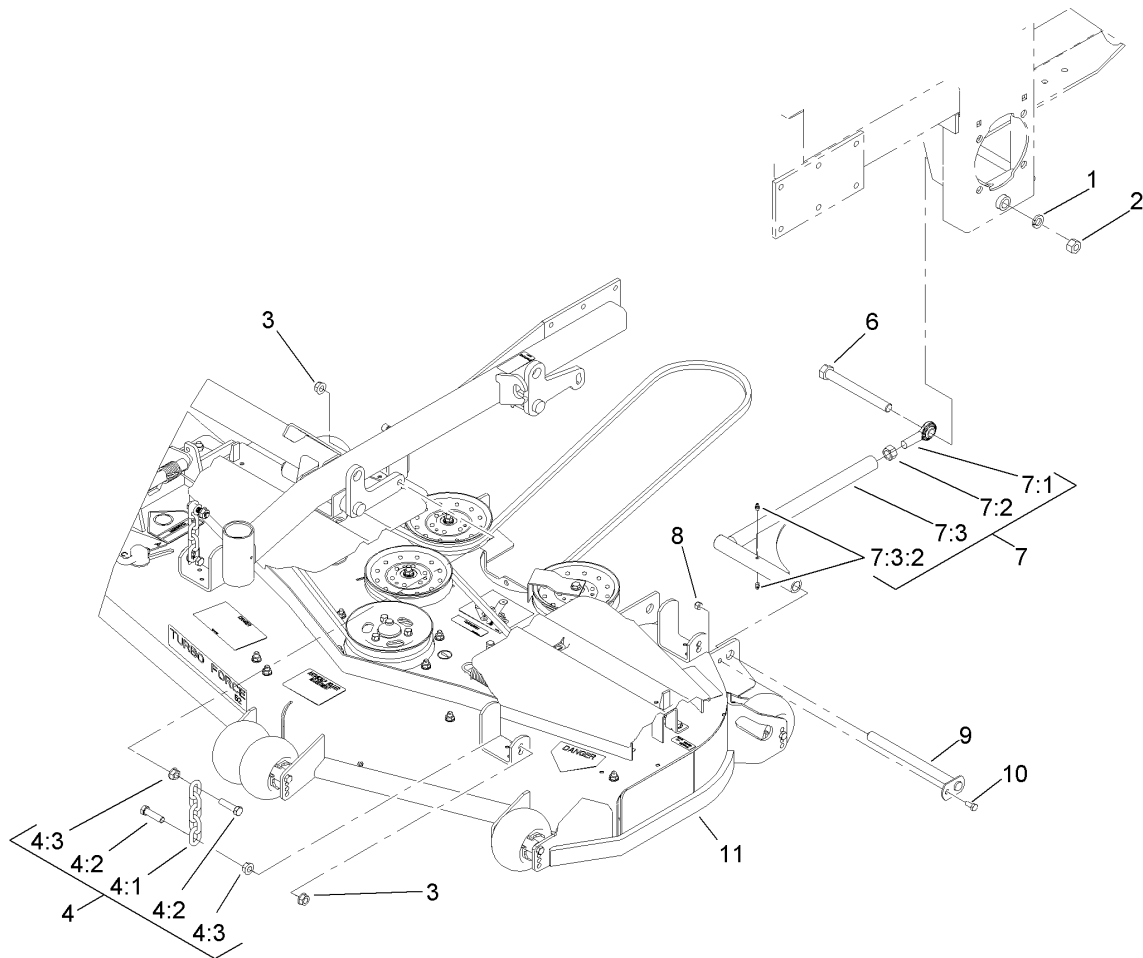
| Ref | Part No. | Qty. | Description            |
|-----|----------|------|------------------------|
| 1   | 110-6208 | 1    | Plate-Radiator, Top    |
| 1:2 | 65-2690  | 2    | Decal-Surface, Hot     |
| 1:3 | 104-2449 | 1    | Decal-Coolant          |
| 1:4 | 100-3815 | 2    | Grommet-Rubber         |
| 2   | 1-643161 | 1    | Cap-Radiator           |
| 3   | 103-1046 | 1    | Radiator-Mount         |
| 5   | 3256-23  | 12   | Washer-Flat            |
| 6   | 110-6206 | 1    | Plate-Radiator, Bottom |
| 6:2 | 1-643253 | 2    | Decal-Fan, Radiator    |
| 6:3 | 32148-6  | 1    | Insert-Nut             |
| 6:4 | 1-513658 | 2    | Bumper                 |
| 7   | 1-803067 | 4    | Screw                  |
| 8   | 3256-16  | 8    | Washer-Flat            |
| 9   | 1-804254 | 4    | Nut                    |
| 10  | 1-633831 | 1    | Fan                    |
| 11  | 1-633989 | 4    | Clamp-Hose             |
| 12  | 110-6231 | 1    | Hose-Radiator, Outlet  |
| 13  | 103-0074 | 1    | Hose-Inlet, Radiator   |
| 14  | 1-643164 | 1    | Cap-Tank, Overflow     |
| 15  | 1-643163 | 1    | Tank-Overflow          |
| 16  | 1-603954 | 1    | Hose-Line, Fuel        |
| 17  | 1-643259 | 1    | Fitting-Elbow          |
| 18  | 1-513645 | 1    | Bushing-Valve, Fuel    |
| 19  | 321-2    | 2    | Screw-HH               |

| Ref | Part No. | Qty. | Description |
|-----|----------|------|-------------|
| 20  | 1-303287 | 5    | Tie-Plastic |
| 21  | 110-7503 | 1    | Hose-Fuel   |
| 22  | 322-4    | 6    | Screw-HH    |
| 28  | 322-1    | 6    | Screw-HH    |
| 29  | 32128-20 | 6    | Nut-HF      |
| 30  | 3256-3   | 6    | Washer-Flat |
| 31  | 322-2    | 6    | Screw-HH    |



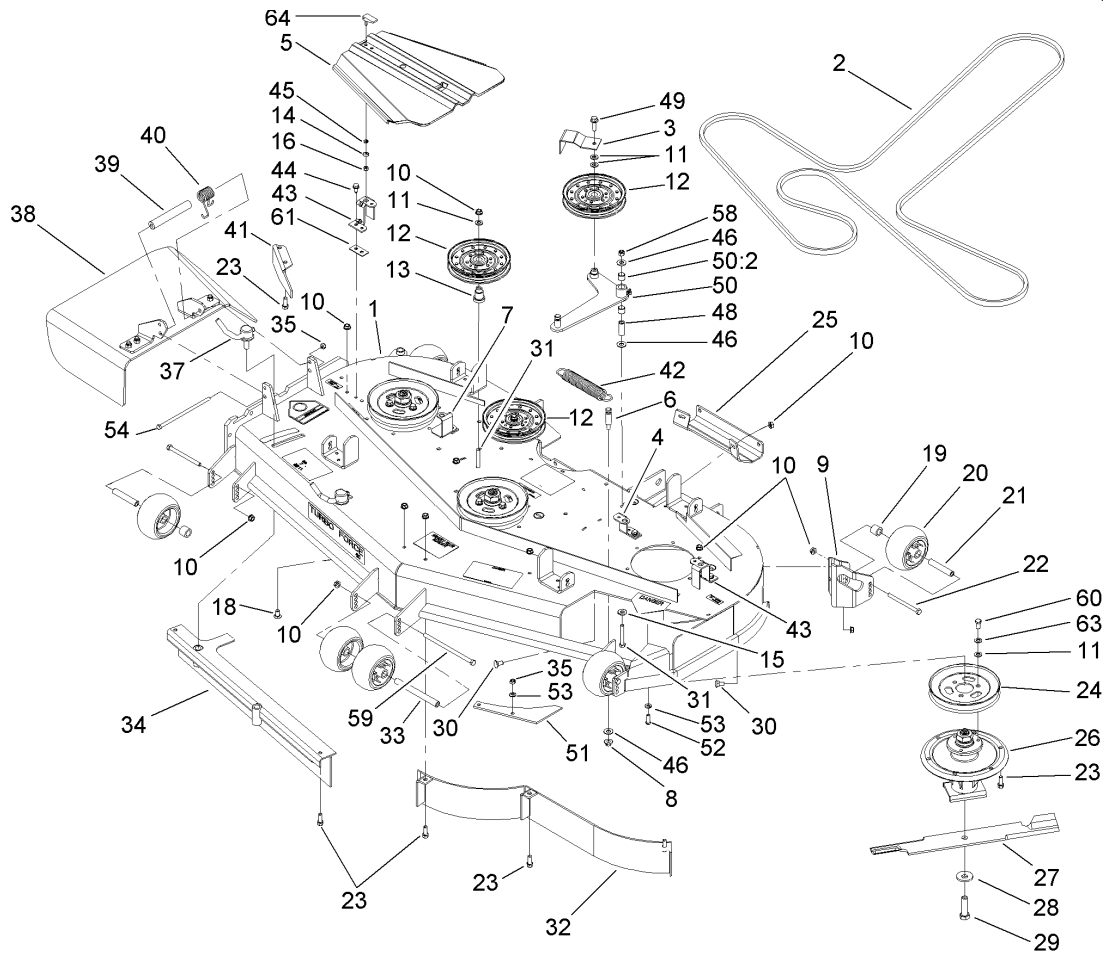
## Hood Assembly

| Ref | Part No.    | Qty. | Description            |
|-----|-------------|------|------------------------|
| 1   | 1-803072    | 17   | Rivet                  |
| 2   | 1-633864-03 | 1    | Screen-Radiator        |
| 3   | 923786      | 4    | Rivet                  |
| 4   | 1-643188    | 1    | Latch-Rubber           |
| 5   | 1-303435    | 4    | Washer-Spring          |
| 6   | 110-6218    | 1    | Hood ASM               |
| 6:2 | 106-7456    | 1    | Decal                  |
| 7   | 3296-29     | 4    | Nut-Lock, NI           |
| 8   | 3256-23     | 8    | Washer-Flat            |
| 9   | 1-643108-03 | 1    | Angle-Radiator, Bottom |
| 10  | 1-643105-03 | 1    | Angle-Radiator, LH     |
| 11  | 3256-14     | 12   | Washer-Flat            |
| 12  | 1-643186    | 2    | Seal-Trim              |
| 13  | 108-5337-03 | 2    | Plate-Hinge, Hood      |
| 14  | 322-4       | 4    | Screw-HH               |
| 15  | 1-808285    | 2    | Pin-Clevis             |
| 16  | 3256-24     | 4    | Washer-Flat            |
| 17  | 1-806003    | 2    | Pin-Hair               |
| 18  | 1-643187    | 2    | Seal-Trim              |
| 19  | 1-643107-03 | 1    | Angle-Radiator, Top    |
| 20  | 1-643106-03 | 1    | Angle-Radiator, RH     |
| 22  | 1-643189    | 1    | Keeper-Latch, Rubber   |



## Deck Connection Assembly

| Ref   | Part No.    | Qty. | Description         |  |
|-------|-------------|------|---------------------|--|
| 1     | 3253-8      | 2    | Washer-Lock         |  |
| 2     | 3217-11     | 2    | Nut-Hex             |  |
| 3     | 32128-37    | 8    | Nut-HF              |  |
| 4     | 103-9792    | 4    | Deck Chain ASM      |  |
| 4:1   | 1-633447    | 1    | Chain-Lift, Deck    |  |
| 4:2   | 103-1898    | 2    | Screw-HH            |  |
| 4:3   | 32128-37    | 2    | Nut-HF              |  |
| 6     | 327-11      | 2    | Screw-HH            |  |
| 7     | 108-5969    | 2    | Strut ASM           |  |
| 7:1   | 1-633029    | 1    | Balljoint-Spherical |  |
| 7:2   | 3219-6      | 1    | Nut-Hex             |  |
| 7:3   |             | 1    | Strut-Deck          |  |
| 7:3:2 | 109-1380    | 2    | Fitting-Grease      |  |
| 8     | 3296-29     | 2    | Nut-Lock, NI        |  |
| 9     | 1-632199-01 | 2    | Pin-Strut           |  |
| 10    | 322-3       | 2    | Screw-HH            |  |
| 11    |             | 1    | Deck ASM            |  |



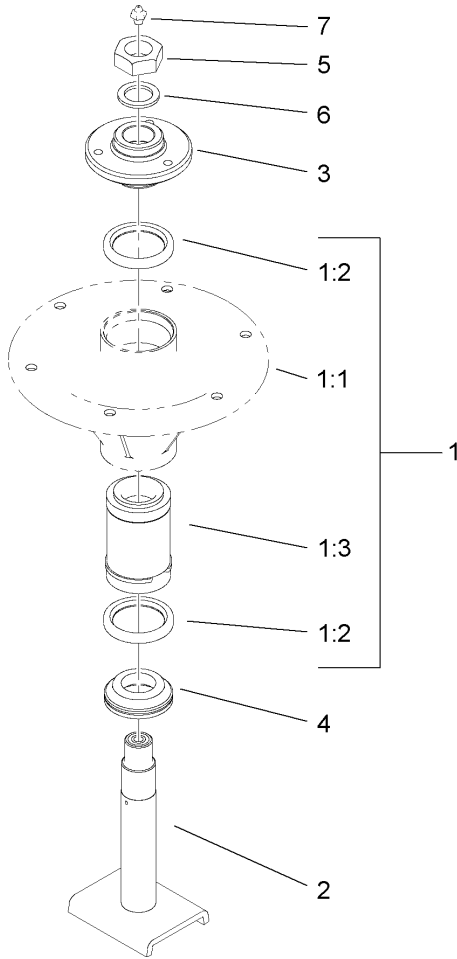
## Deck Assembly

| Ref | Part No.    | Qty. | Description                 |
|-----|-------------|------|-----------------------------|
| 1   | 108-5945    | 1    | Deck Decal ASM              |
| 2   | 108-5915    | 1    | Belt-V                      |
| 3   | 108-7220-01 | 1    | Guide-Belt                  |
| 4   | 108-2177-01 | 1    | Bracket-Cover, Tall         |
| 5   | 112-8664    | 2    | Cover-Belt                  |
| 6   | 110-0801    | 1    | Pin-Threaded, Spring Anchor |
| 7   | 108-4122-01 | 1    | Bracket-Cover               |
| 8   | 32128-19    | 1    | Nut-HF                      |
| 9   | 106-7354-01 | 1    | Mount-Wheel, LH             |
| 10  | 3290-357    | 43   | Nut-HHF, Whiz               |
| 11  | 3256-24     | 13   | Washer-Flat                 |
| 12  | 1-633109    | 3    | Idler-Flat                  |
| 13  | 106-3214    | 2    | Mount-Pulley                |
| 14  | 106-6778    | 2    | Bushing-Latch, Swell        |
| 15  | 98-5975     | 1    | Washer-Belleville           |
| 16  | 1-804254    | 2    | Nut                         |
| 18  | 3231-21     | 1    | Screw-CARR                  |
| 19  | 98-7913     | 4    | Tube-Spacer                 |
| 20  | 1-603299    | 6    | Roller-Scalp, Anti          |
| 21  | 98-7912     | 4    | Tube-Spanner                |
| 22  | 323-23      | 4    | Screw-HH                    |
| 23  | 92-1624     | 24   | Screw                       |
| 24  | 105-7734    | 3    | Pulley                      |
| 25  | 105-8792-01 | 1    | Plate-Skid                  |

| Ref  | Part No.    | Qty. | Description              |
|------|-------------|------|--------------------------|
| 26   | 112-8698    | 3    | Spindle ASM              |
| 27   | 105-7718-03 | 3    | Blade-Hi Flow            |
| 28   | 103-0865    | 3    | Washer-Blade Bolt, Heavy |
| 29   | 51-4060     | 3    | Screw-Blade              |
| 30   | 3231-1      | 11   | Screw-CARR               |
| 31   | 323-12      | 3    | Screw-HH                 |
| 32   | 105-7657-01 | 1    | Baffle ASM               |
| 33   | 98-5967     | 1    | Spacer-Wheel             |
| 34   | 105-7669-01 | 1    | Baffle ASM               |
| 35   | 3296-29     | 3    | Nut-Lock, NI             |
| 37   | 107-1664    | 2    | Lever ASM                |
| 38   | 108-2792    | 1    | Rubber Deflector ASM     |
| 39   | 105-4622    | 1    | Spacer                   |
| 40   | 108-4052    | 1    | Spring-Torsion           |
| 41   | 106-3216-01 | 1    | Baffle-Discharge         |
| 42   | 110-0818    | 1    | Spring-Extension         |
| 43   | 108-4121-01 | 2    | Bracket-Cover            |
| 44   | 32144-70    | 4    | Screw-HWHTF              |
| 45   | 99-3058     | 2    | Washer                   |
| 46   | 3256-4      | 3    | Washer-Flat              |
| 48   | 1-603044    | 1    | Bushing                  |
| 49   | 3234-24     | 1    | Screw-HHF                |
| 50   | 108-5949    | 1    | Deck Idler Arm ASM       |
| 50:2 | 103-4681    | 2    | Sleeve-Bearing           |





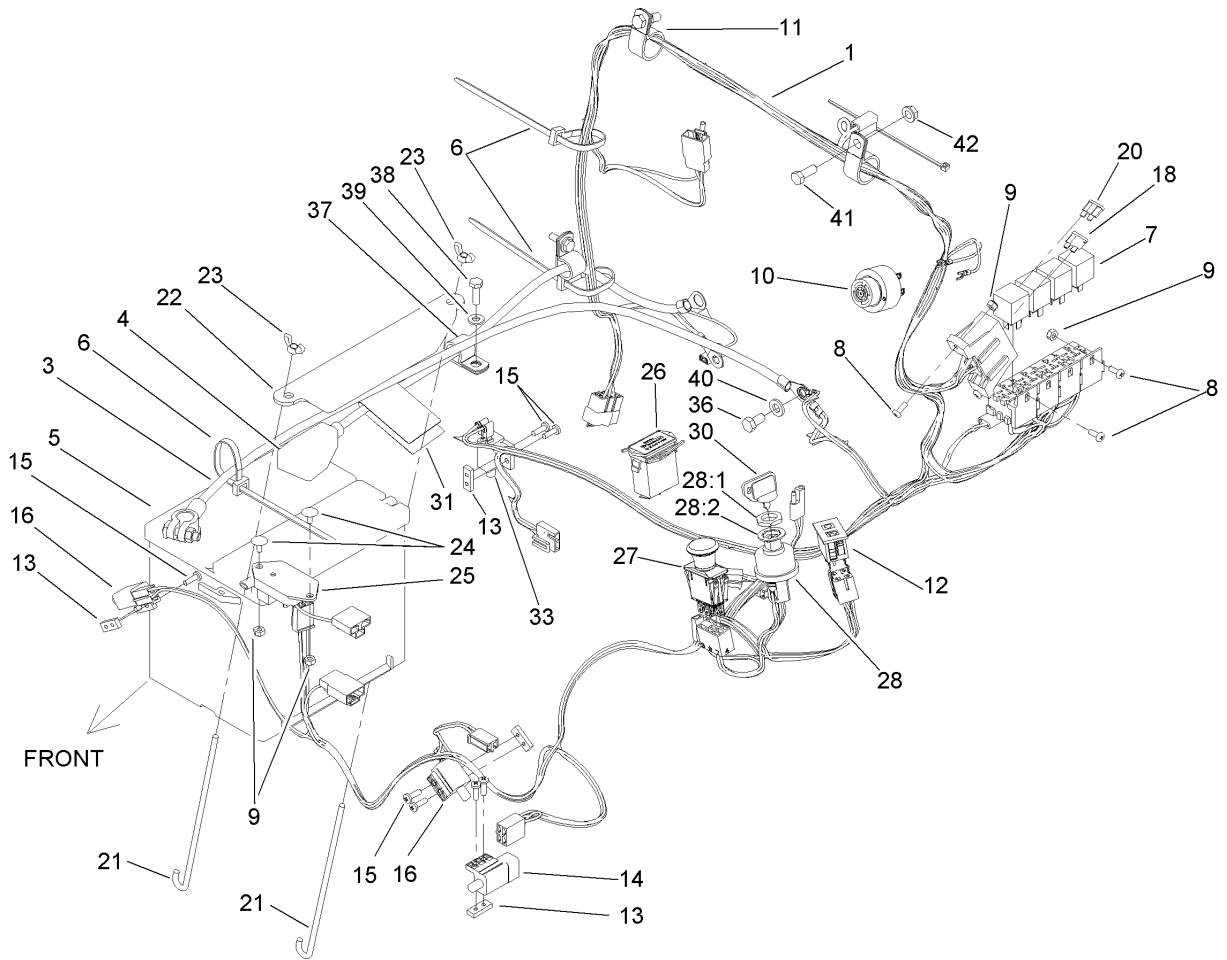


### Spindle Assembly No. 112-8698

| Ref   | Part No. | Qty. | Description           |  |  |  |  |
|-------|----------|------|-----------------------|--|--|--|--|
| ② 1   |          | 1    | Spindle Bearing ASM   |  |  |  |  |
| ② 1:1 |          | 1    | Housing-Spindle       |  |  |  |  |
| 1:2   | 253-154  | 2    | Seal-Oil              |  |  |  |  |
| 1:3   | 71-2530  | 1    | Bearing/Spacer Kit    |  |  |  |  |
| 2     | 110-3285 | 1    | Spindle Shaft ASM     |  |  |  |  |
| 3     | 114-1161 | 1    | Hub-Spline            |  |  |  |  |
| 4     | 69-6950  | 1    | Spacer-Shaft, Spindle |  |  |  |  |
| 5     | 3296-49  | 1    | Nut-Lock, NI          |  |  |  |  |
| 6     | 3-8514   | 1    | Washer-Thrust         |  |  |  |  |
| 7     | 302-2    | 1    | Fitting-Grease        |  |  |  |  |



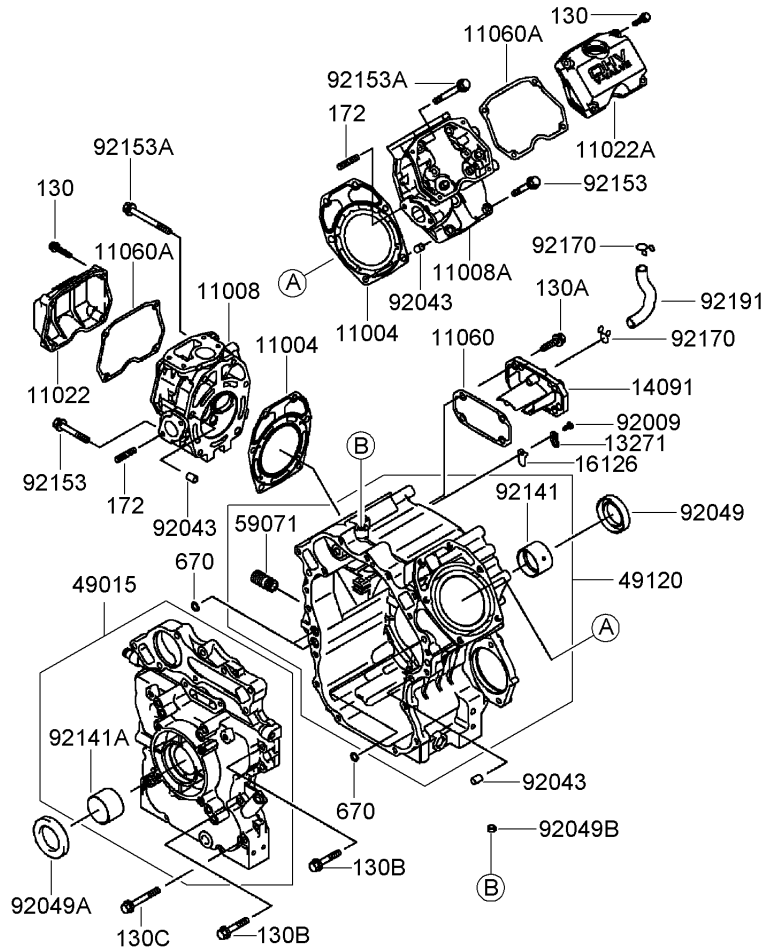




## Electrical Assembly

| Ref | Part No.    | Qty. | Description             |
|-----|-------------|------|-------------------------|
| 1   | 112-1796    | 1    | Harness-Wire            |
| 3   | 110-5786    | 1    | Cable-Battery, Negative |
| 4   | 110-5775    | 1    | Cable-Battery, Positive |
| 5   | 106-5187    | 1    | Battery                 |
| 6   | 1-303335    | 7    | Tie-Plastic             |
| 7   | 1-643275    | 4    | Relay                   |
| 8   | 1-803071    | 4    | Screw                   |
| 9   | 3296-2      | 6    | Nut-Lock                |
| 10  | 103-0205    | 1    | Alarm-Tone, Dual        |
| 11  | 2412-74     | 2    | R-Clamp                 |
| 12  | 110-5739    | 1    | Lamp-Warning            |
| 13  | 1-633181    | 4    | Plate-Tapped            |
| 14  | 1-633111    | 1    | Switch                  |
| 15  | 3290-500    | 8    | Screw-PPH               |
| 16  | 1-513051    | 2    | Switch-Open, Normally   |
| 18  | 218-578     | 1    | Fuse-10 Amp             |
| 20  | 109103      | 2    | Fuse-30 Amp             |
| 21  | 103-1312    | 2    | Bolt-Holddown           |
| 22  | 103-1311-03 | 1    | Holddown-Battery        |
| 23  | 1-543792    | 2    | Wingnut                 |
| 24  | 1-807513    | 2    | Bolt-CARR               |
| 25  | 103-5218    | 1    | Module-Delay, Seat      |
| 26  | 1-513374    | 1    | Meter-Hour              |
| 27  | 103-5221    | 1    | Switch-PTO              |

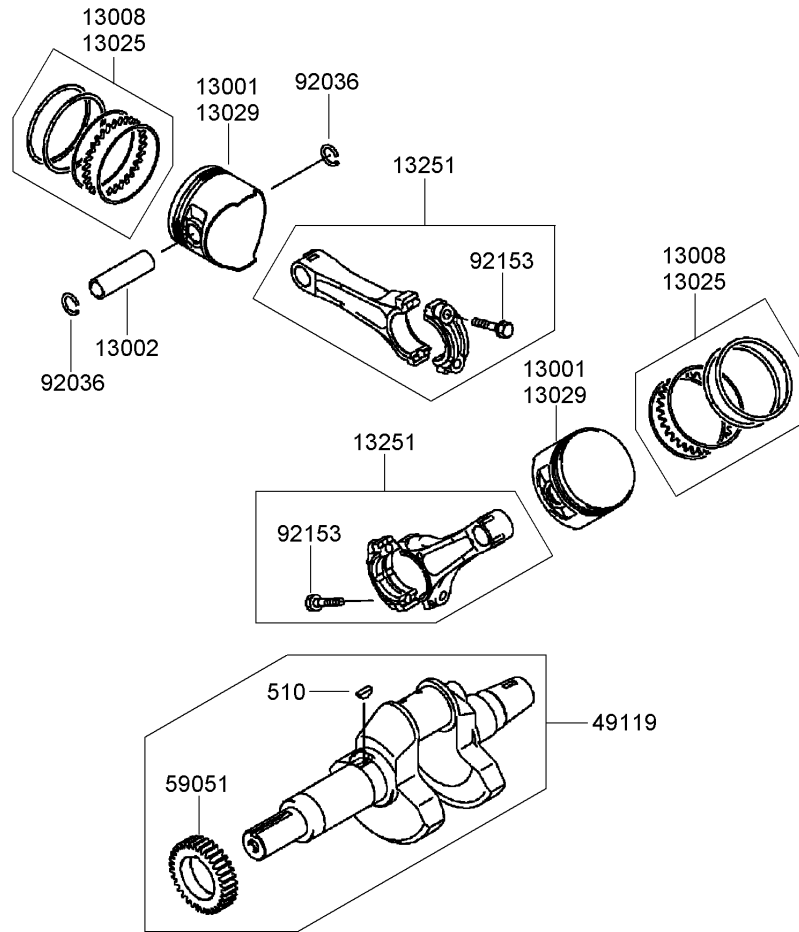
| Ref  | Part No.  | Qty. | Description                  |
|------|-----------|------|------------------------------|
| 28   | 104-2541  | 1    | Switch ASM                   |
| 28:1 | 218-461   | 1    | Nut-HH                       |
| 28:2 | 3254-5    | 1    | Washer-Tooth                 |
| 30   | 63-8360   | 2    | Key-Ignition                 |
| 31   | 107-9309  | 1    | Decal-Instructions, Charging |
| 33   | 1-513152  | 1    | Switch-Closed, Normally      |
| 36   | 33114-016 | 1    | Screw-HH                     |
| 37   | 1-633396  | 1    | Clip-Loom                    |
| 38   | 321-5     | 1    | Screw-HH                     |
| 39   | 3256-22   | 1    | Washer-Flat                  |
| 40   | 3256-23   | 1    | Washer-Flat                  |
| 41   | 322-5     | 2    | Screw-HH                     |
| 42   | 32128-20  | 2    | Nut-HF                       |



## Cylinder and Crankcase Assembly Kawasaki FD791D-AS07

| Ref     | Part No.   | Qty. | Description                 |
|---------|------------|------|-----------------------------|
| ●11004  | 11004-2142 | 2    | Gasket-Head                 |
| ●11008  | 11008-2145 | 1    | Head-Cylinder               |
| ●11008A | 11008-2146 | 1    | Head-Cylinder               |
| ●11022  | 11022-2072 | 1    | Case-Rocker                 |
| ●11022A | 11022-2073 | 1    | Case-Rocker                 |
| ●11060  | 11060-2466 | 1    | Gasket-Breather             |
| ●11060A | 11060-2470 | 2    | Gasket-Case, Rocker         |
| ●13271  | 13271-2105 | 2    | Plate                       |
| ●14091  | 14091-2064 | 1    | Cover-Breather              |
| ●16126  | 16126-2225 | 2    | Valve-Breather              |
| ●49015  | 49015-6232 | 1    | Cover-Crankcase             |
| ●49120  | 49120-6134 | 1    | Crankcase                   |
| ●59071  | 59071-2079 | 1    | Joint                       |
| ●92009  | 92009-2308 | 2    | Screw                       |
| ●92043  | 92043-1037 | 6    | Pin                         |
| ●92049  | 92049-2242 | 1    | Seal-Oil, Isd (38X58X11) Ae |
| ●92049A | 92049-2243 | 1    | Seal-Oil, Isd (42X65X9) Ae  |
| ●92049B | 92049-2255 | 1    | Seal-Oil, Vc (8X12X2.5)     |
| ●92141  | 92141-2118 | 1    | Bearing-Plane               |
| ●92141A | 92141-2119 | 1    | Bearing-Plane               |
| ●92153  | 92153-2131 | 4    | Bolt (8X60)                 |
| ●92153A | 92153-2132 | 8    | Bolt (8X85)                 |
| ●92170  | 92170-2002 | 2    | Clamp                       |
| ●92191  | 92191-2105 | 1    | Tube                        |

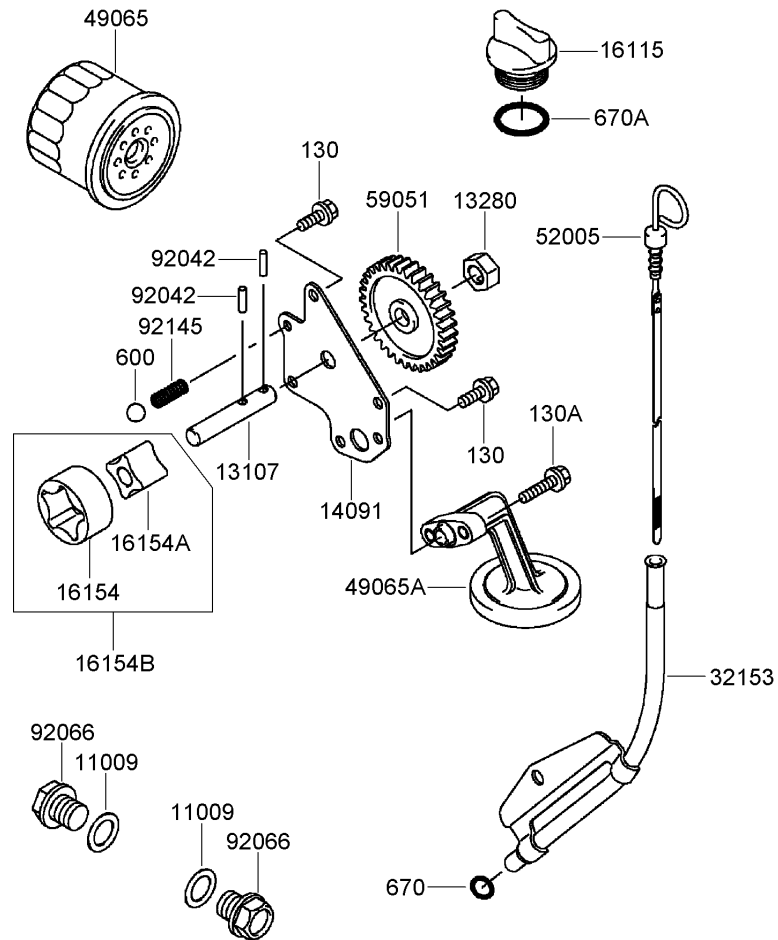
| Ref   | Part No. | Qty. | Description         |
|-------|----------|------|---------------------|
| ●130  | 130G0630 | 8    | Bolt-Flanged (6X30) |
| ●130A | 130G0830 | 4    | Bolt-Flanged (8X30) |
| ●130B | 130G0845 | 6    | Bolt-Flanged (8X45) |
| ●130C | 130G0860 | 4    | Bolt-Flanged (8X60) |
| ●172  | 172G0822 | 4    | Bolt-Stud (8X22)    |
| ●670  | 670B2011 | 3    | O-Ring (11Mm)       |



## Piston and Crankshaft Assembly Kawasaki FD791D-AS07

| Ref     | Part No.   | Qty. | Description            |  |  |  |  |
|---------|------------|------|------------------------|--|--|--|--|
| ● 13001 | 13001-2150 | 2    | Piston-Engine          |  |  |  |  |
| ● 13002 | 13002-2069 | 2    | Pin-Piston             |  |  |  |  |
| ● 13008 | 13008-6007 | 2    | Ring-Set, Piston       |  |  |  |  |
| ● 13025 | 13025-2074 | 1    | Piston Ring Set (0.50) |  |  |  |  |
| ● 13029 | 13029-2124 | 1    | Piston-Engine (0.50)   |  |  |  |  |
| ● 13251 | 13251-2058 | 2    | Connecting Rod ASM     |  |  |  |  |
| ● 49119 | 49119-2228 | 1    | Crankshaft ASM         |  |  |  |  |
| ● 59051 | 59051-2358 | 1    | Gear-Spur (33T)        |  |  |  |  |
| ● 92036 | 92036-008  | 4    | Ring-Snap              |  |  |  |  |
| ● 92153 | 92153-2054 | 4    | Bolt (7X35.2)          |  |  |  |  |
| ● 510   | 510A5100   | 1    | Key-Woodruff           |  |  |  |  |

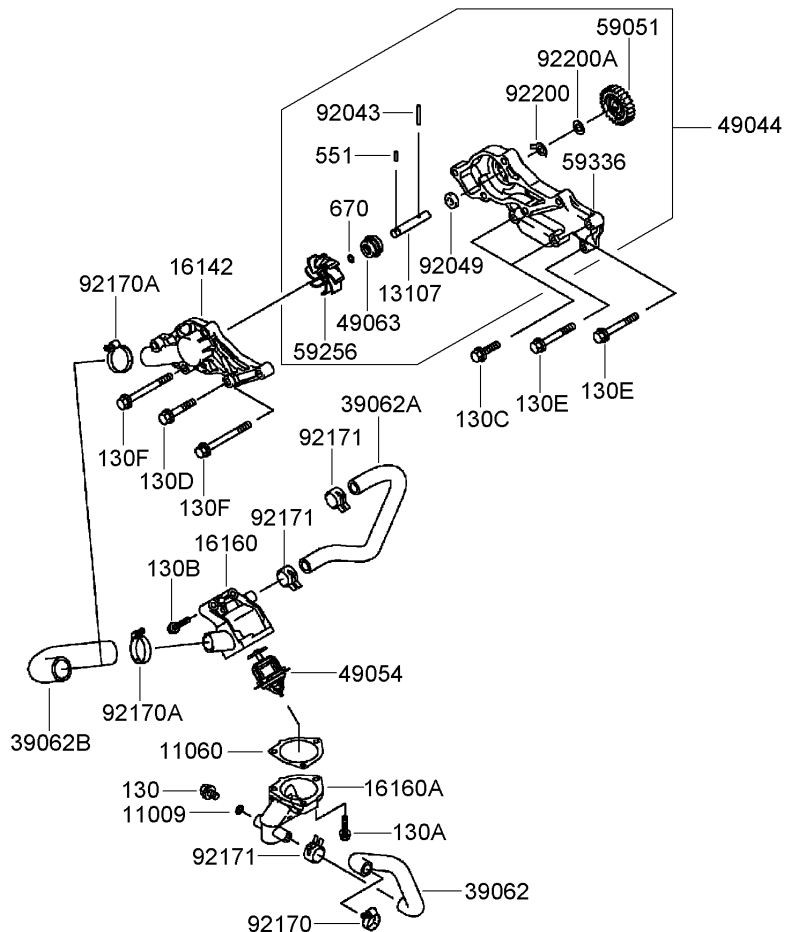




## Lubrication Equipment Assembly Kawasaki FD791D-AS07

| Ref     | Part No.      | Qty. | Description         |
|---------|---------------|------|---------------------|
| ③11009  | 11009-2566    | 2    | Gasket-Plug, Drain  |
| ③13107  | 13107-2281    | 1    | Shaft-Pump, Oil     |
| ③13280  | 13280-2061    | 1    | Holder-Pump, Oil    |
| ③14091  | 14091-2065    | 1    | Cover-Pump, Oil     |
| ③16115  | 16115-2126    | 1    | Cap-Filler, Oil     |
| ③16154  | 16154-1075    | 1    | Rotor-Pump, Outer   |
| ③16154A | 16154-1076    | 1    | Rotor-Pump, Inner   |
| ③16154B | 16154-1079    | 1    | Rotor-Pump          |
| ③32153  | 32153-2076-9H | 1    | Pipe-Gauge, Oil     |
| ③49065  | 49065-2071    | 1    | Filter-Oil          |
| ③49065A | 49065-2082    | 1    | Filter-Oil          |
| ③52005  | 52005-2132    | 1    | Gauge-Oil           |
| ③59051  | 59051-2354    | 1    | Gear-Spur (33T)     |
| ③92042  | 92042-014     | 2    | Pin                 |
| ③92066  | 92066-2099    | 2    | Plug-Drain          |
| ③92145  | 92145-2132    | 1    | Spring              |
| ③130    | 130G0616      | 3    | Bolt-Flanged (6X16) |
| ③130A   | 130G0625      | 2    | Bolt-Flanged (6X25) |
| ③600    | 600A1300      | 1    | Ball-Steel (13/32)  |
| ③670    | 670B2010      | 1    | O-Ring (10Mm)       |
| ③670A   | 670B3025      | 1    | O-Ring (25Mm)       |

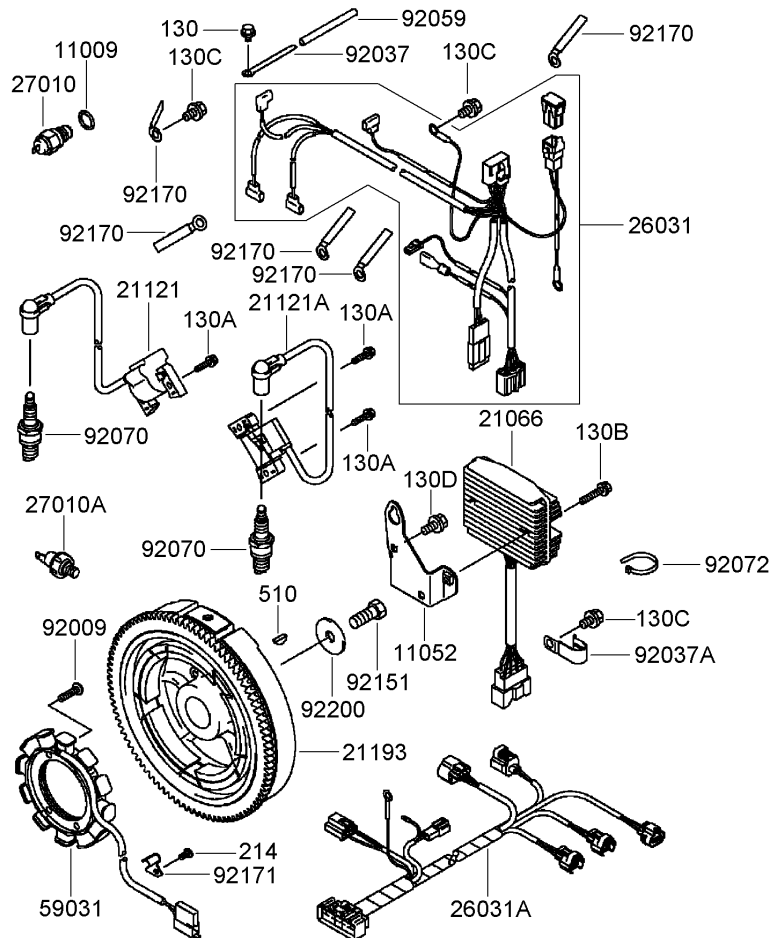
|  |  |  |  |
|--|--|--|--|
|  |  |  |  |
|  |  |  |  |
|  |  |  |  |
|  |  |  |  |



## Cooling Equipment Assembly Kawasaki FD791D-AS07

| Ref     | Part No.   | Qty. | Description          |
|---------|------------|------|----------------------|
| ●11009  | 11009-3028 | 1    | Gasket (8.2X12X1)    |
| ●11060  | 11060-2475 | 1    | Gasket-Thermostat    |
| ●13107  | 13107-2097 | 1    | Shaft-Impeller       |
| ●16142  | 16142-2077 | 1    | Cover-Pump           |
| ●16160  | 16160-2139 | 1    | Body, Upp            |
| ●16160A | 16160-6002 | 1    | Body-Valve           |
| ●39062  | 39062-2083 | 1    | Hose-Cooling         |
| ●39062A | 39062-2098 | 1    | Hose-Cooling         |
| ●39062B | 39062-2101 | 1    | Hose-Cooling         |
| ●49044  | 49044-2067 | 1    | Pump-Water           |
| ●49054  | 49054-2058 | 1    | Thermostat           |
| ●49063  | 49063-1056 | 1    | Seal-Mechanical      |
| ●59051  | 59051-2355 | 1    | Gear-Spur (25T)      |
| ●59256  | 59256-2069 | 1    | Impeller             |
| ●59336  | 59336-2078 | 1    | Case-Pump            |
| ●92043  | 92043-2237 | 1    | Pin                  |
| ●92049  | 92049-2111 | 1    | Seal-Oil             |
| ●92170  | 92170-1283 | 1    | Clamp                |
| ●92170A | 92170-1284 | 2    | Clamp                |
| ●92171  | 92171-2056 | 3    | Clamp                |
| ●92200  | 92200-2134 | 1    | Washer               |
| ●92200A | 92200-2135 | 1    | Washer (10.2X19X0.8) |
| ●130    | 130C0812   | 1    | Bolt-Flanged (8X12)  |
| ●130A   | 130G0625   | 3    | Bolt-Flanged (6X25)  |

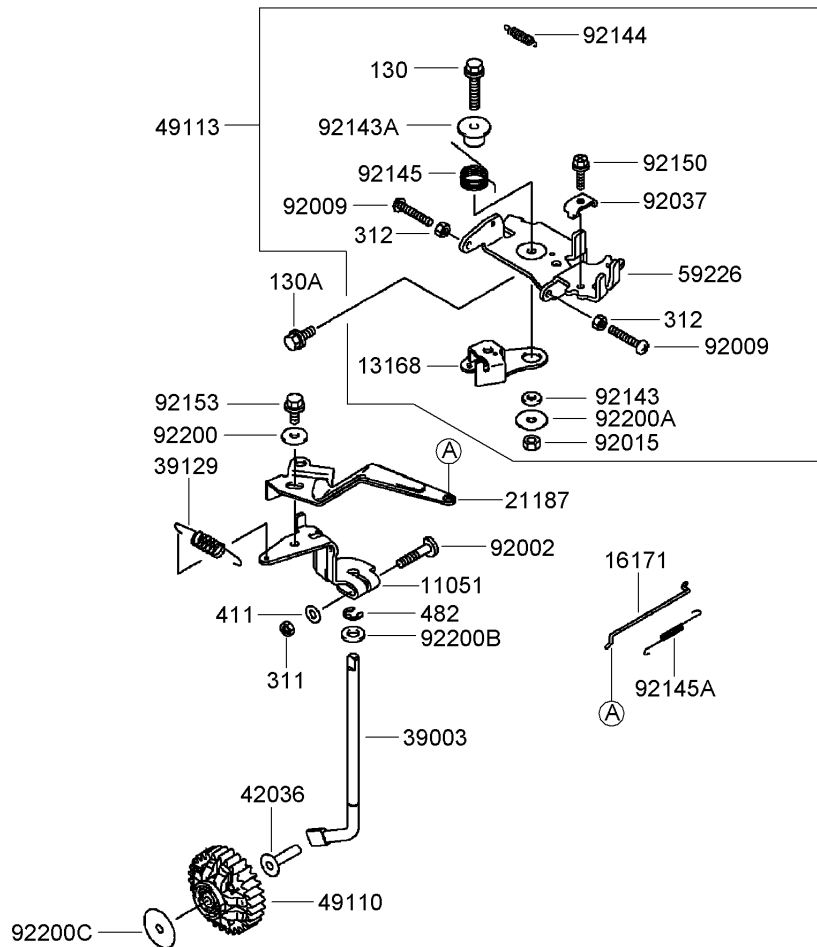
| Ref   | Part No. | Qty. | Description         |
|-------|----------|------|---------------------|
| ●130B | 130G0635 | 2    | Bolt-Flanged (6X35) |
| ●130C | 130G0830 | 2    | Bolt-Flanged (8X30) |
| ●130D | 130G0845 | 1    | Bolt-Flanged (8X45) |
| ●130E | 130G0860 | 2    | Bolt-Flanged (8X60) |
| ●130F | 130G0880 | 4    | Bolt-Flanged (8X80) |
| ●551  | 551A0314 | 1    | Pin-Dowel (3X14)    |
| ●670  | 670B1507 | 1    | O Ring (7Mm)        |



## Electric Equipment Assembly Kawasaki FD791D-AS07

| Ref     | Part No.   | Qty. | Description                    |
|---------|------------|------|--------------------------------|
| ●11009  | 11009-2766 | 1    | Gasket (16X24X1)               |
| ●11052  | 11052-2058 | 1    | Bracket                        |
| ●21066  | 21066-2079 | 1    | Regulator-Voltage              |
| ●21121  | 21121-2090 | 1    | Coil-Ignition, No. 1           |
| ●21121A | 21121-2091 | 1    | Coil-Ignition, No. 2           |
| ●21193  | 21193-2187 | 1    | Flywheel ASM                   |
| ●26031  | 26031-2070 | 1    | Harness, C-Unit                |
| ●26031A | 26031-2074 | 1    | Harness                        |
| ●27010  | 27010-2182 | 1    | Switch                         |
| ●27010A | 27010-7001 | 1    | Switch                         |
| ●59031  | 59031-2127 | 1    | Coil-Charging                  |
| ●92009  | 92009-2273 | 4    | Screw (6X25)                   |
| ●92037  | 92037-2006 | 1    | Clamp                          |
| ●92037A | 92037-2101 | 1    | Clamp                          |
| ●92059  | 92059-2011 | 1    | Tube (5X6X75)                  |
| ●92070  | 92070-2112 | 2    | Spark Plug-Bpr4Es, (Ngk) Solid |
| ●92072  | 92072-1195 | 1    | Band                           |
| ●92151  | 92151-2097 | 1    | Bolt (12X30)                   |
| ●92170  | 92170-2060 | 5    | Clamp                          |
| ●92171  | 92171-2060 | 1    | Clamp                          |
| ●92200  | 92200-2119 | 1    | Washer (12.2X40X3.0)           |
| ●130    | 130C0608   | 1    | Bolt-Flanged (6X8)             |
| ●130A   | 130G0520   | 4    | Bolt-Flanged (5X20)            |
| ●130B   | 130G0630   | 2    | Bolt-Flanged (6X30)            |

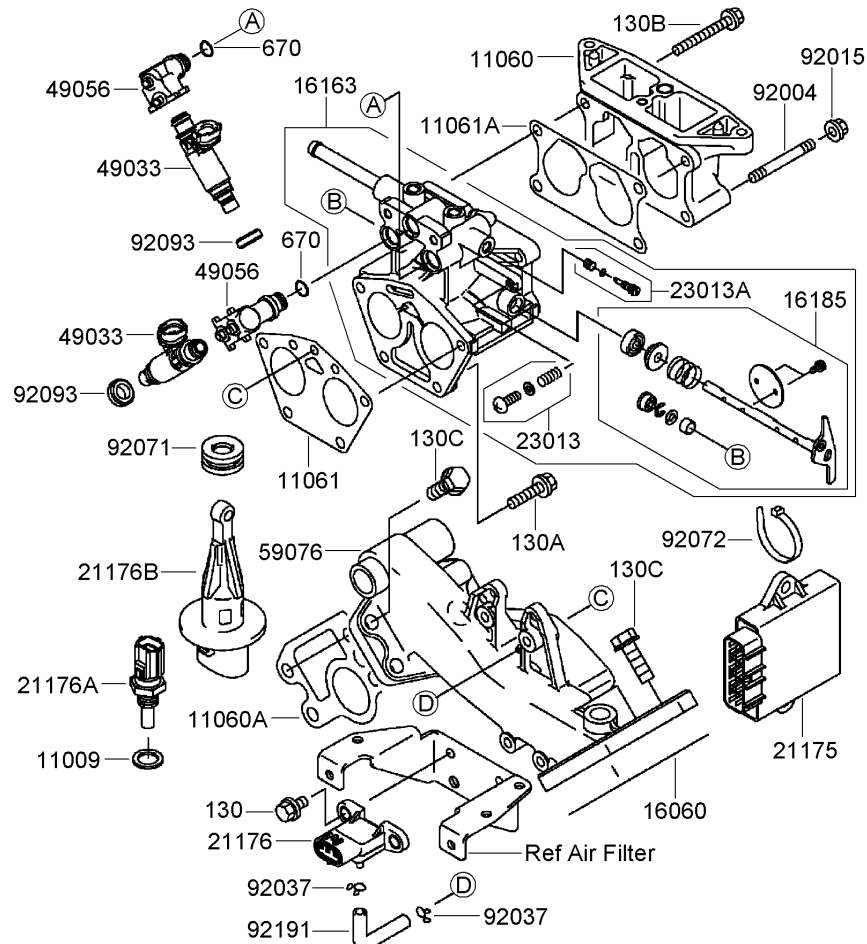
| Ref   | Part No. | Qty. | Description         |
|-------|----------|------|---------------------|
| ●130C | 130G0812 | 3    | Bolt-Flanged (8X12) |
| ●130D | 130G0816 | 2    | Bolt-Flanged (8X16) |
| ●214  | 214B0510 | 1    | Screw-Pan (5X10)    |
| ●510  | 510A5100 | 1    | Key-Woodruff        |



## Control Equipment Assembly Kawasaki FD791D-AS07

| Ref     | Part No.   | Qty. | Description         |
|---------|------------|------|---------------------|
| ●11051  | 11051-2113 | 1    | Bracket             |
| ●13168  | 13168-2466 | 1    | Lever-Throttle      |
| ●16171  | 16171-2094 | 1    | Link                |
| ●21187  | 21187-2076 | 1    | Arm ASM             |
| ●39003  | 39003-2091 | 1    | Arm-Pivot           |
| ●39129  | 39129-2105 | 1    | Spring-Governor     |
| ●42036  | 42036-2060 | 1    | Sleeve              |
| ●49110  | 49110-2094 | 1    | Governor ASM        |
| ●49113  | 49113-2173 | 1    | Control Panel ASM   |
| ●59226  | 59226-2328 | 1    | Panel-Control       |
| ●92002  | 92002-2269 | 1    | Bolt (6X28)         |
| ●92009  | 92009-2381 | 2    | Screw (5X10)        |
| ●92015  | 92015-2051 | 1    | Nut                 |
| ●92037  | 92037-2209 | 1    | Clamp               |
| ●92143  | 92143-2135 | 1    | Collar (6X13X2.3)   |
| ●92143A | 92143-2148 | 1    | Collar              |
| ●92144  | 92144-2052 | 1    | Spring              |
| ●92145  | 92145-2058 | 1    | Spring              |
| ●92145A | 92145-2106 | 1    | Spring              |
| ●92150  | 92150-2182 | 1    | Bolt (5X18)         |
| ●92153  | 92153-0009 | 1    | Bolt (6X12)         |
| ●92200  | 92200-2035 | 1    | Washer              |
| ●92200A | 92200-2108 | 1    | Washer (6.5X22X1.2) |
| ●92200B | 92200-2120 | 1    | Washer (8.3X16X2.3) |

| Ref     | Part No.   | Qty. | Description          |
|---------|------------|------|----------------------|
| ●92200C | 92200-2152 | 1    | Washer (6.2X30X0.5)  |
| ●130    | 130B0630   | 1    | Bolt-Flanged (6X30)  |
| ●130A   | 130G0614   | 2    | Bolt-Flanged (6X14)  |
| ●311    | 311B0600   | 1    | Nut-Hex (6Mm)        |
| ●312    | 312B0500   | 2    | Nut-Hex (5Mm)        |
| ●411    | 411B0600   | 1    | Washer-Plain (6Mm)   |
| ●482    | 482J7000   | 1    | Circlip-Type E (7Mm) |

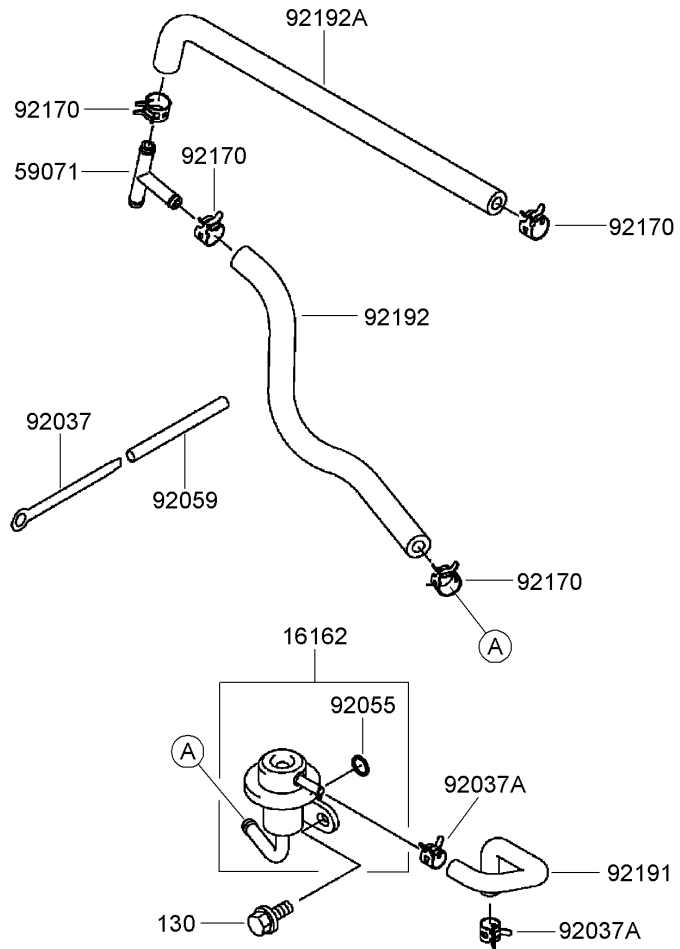


## Throttle Assembly Kawasaki FD791D-AS07

| Ref     | Part No.   | Qty. | Description             |
|---------|------------|------|-------------------------|
| ●11009  | 11009-1376 | 1    | Gasket (12.5X18X1.5)    |
| ●11060  | 11060-2468 | 1    | Gasket-Manifold, Intake |
| ●11060A | 11060-2469 | 1    | Gasket-Manifold, Intake |
| ●11061  | 11061-2058 | 1    | Gasket,Throttle         |
| ●11061A | 11061-2075 | 1    | Gasket-Pipe, Intake     |
| ●16060  | 16060-2194 | 1    | Pipe-Intake             |
| ●16163  | 16163-2067 | 1    | Throttle ASM            |
| ●16185  | 16185-2046 | 1    | Throttle Valve ASM      |
| ●21175  | 21175-2059 | 1    | Control Unit-Electronic |
| ●21176  | 21176-1095 | 1    | Sensor                  |
| ●21176A | 21176-2097 | 1    | Sensor                  |
| ●21176B | 21176-2106 | 1    | Sensor                  |
| ●23013  | 23013-2065 | 1    | Screw ASM               |
| ●23013A | 23013-2066 | 1    | Screw ASM               |
| ●49033  | 49033-2059 | 2    | Nozzle-Injection        |
| ●49056  | 49056-2060 | 2    | Pipe-Injection          |
| ●59076  | 59076-2080 | 1    | Manifold-Intake         |
| ●92004  | 92004-2133 | 2    | Stud (6X100)            |
| ●92015  | 92015-1193 | 2    | Nut                     |
| ●92037  | 92037-2163 | 2    | Clamp                   |
| ●92071  | 92071-2140 | 1    | Grommet                 |
| ●92072  | 92072-1195 | 1    | Band                    |
| ●92093  | 92093-2119 | 2    | Seal                    |
| ●92191  | 92191-2133 | 1    | Tube (4X7X65)           |

| Ref   | Part No. | Qty. | Description         |
|-------|----------|------|---------------------|
| ●130  | 130G0610 | 2    | Bolt-Flanged (6X10) |
| ●130A | 130G0625 | 2    | Bolt-Flanged (6X25) |
| ●130B | 130G0645 | 2    | Bolt-Flanged (6X45) |
| ●130C | 130G0825 | 8    | Bolt-Flanged (8X25) |
| ●670  | 670E1508 | 2    | O-Ring (8Mm)        |

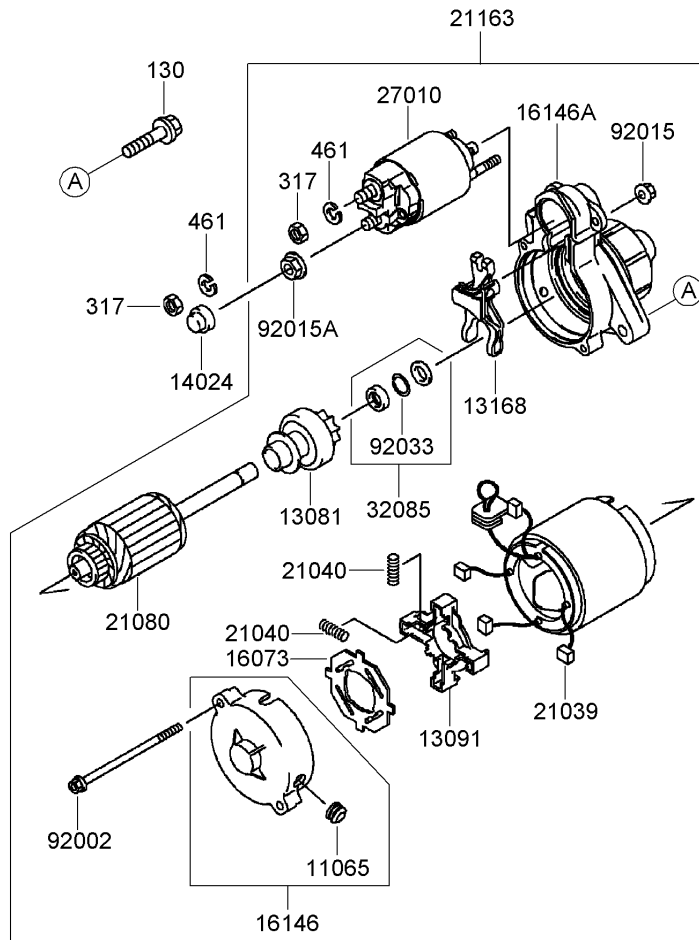




## Fuel Tank and Valve Assembly Kawasaki FD791D-AS07

| Ref     | Part No.   | Qty. | Description            |
|---------|------------|------|------------------------|
| ●16162  | 16162-2055 | 1    | Regulator-Fuel         |
| ●49019  | 49019-1055 | 1    | Filter-Fuel            |
| ●59071  | 59071-3705 | 1    | Joint                  |
| ●92037  | 92037-2006 | 1    | Clamp                  |
| ●92037A | 92037-2083 | 2    | Clamp                  |
| ●92055  | 92055-2187 | 1    | O-Ring, Fuel Regulator |
| ●92059  | 92059-2011 | 1    | Tube (5X6X75)          |
| ●92170  | 92170-2009 | 4    | Clamp                  |
| ●92191  | 92191-2165 | 1    | Tube                   |
| ●92192  | 92192-2108 | 1    | Tube (6.2X13.2X200)    |
| ●92192A | 92192-2109 | 1    | Tube (6.2X13.2X230)    |
| ●130    | 130G0612   | 2    | Bolt-Flanged (6X12)    |

|  |  |  |  |
|--|--|--|--|
|  |  |  |  |
|--|--|--|--|



## Starter Assembly Kawasaki FD791D-AS07

| Ref     | Part No.   | Qty. | Description          |
|---------|------------|------|----------------------|
| ●11065  | 11065-2118 | 1    | Cap                  |
| ●13081  | 13081-2085 | 1    | Clutch ASM           |
| ●13091  | 13091-2068 | 1    | Brush Holder         |
| ●13168  | 13168-2131 | 1    | Lever-Shift          |
| ●14024  | 14024-2205 | 1    | Cover                |
| ●16073  | 16073-2098 | 1    | Insulator            |
| ●16146  | 16146-2235 | 1    | Cover ASM            |
| ●16146A | 16146-2239 | 1    | Cover ASM            |
| ●21039  | 21039-2059 | 4    | Brush                |
| ●21040  | 21040-2052 | 4    | Spring-Brush         |
| ●21080  | 21080-2054 | 1    | Armature             |
| ●21163  | 21163-2130 | 1    | Starter-Electric     |
| ●27010  | 27010-2122 | 1    | Switch               |
| ●32085  | 32085-2097 | 1    | Stopper              |
| ●92002  | 92002-2277 | 2    | Bolt                 |
| ●92015  | 92015-2146 | 2    | Nut                  |
| ●92015A | 92015-2147 | 1    | Nut                  |
| ●92033  | 92033-2081 | 1    | Ring-Snap            |
| ●130    | 130G0835   | 2    | Bolt-Flanged (8X35)  |
| ●317    | 317B0800   | 2    | Nut-Hex, Small (8Mm) |
| ●461    | 461F0800   | 2    | Washer-Spring (8Mm)  |

|  |  |  |  |
|--|--|--|--|
|  |  |  |  |
|  |  |  |  |
|  |  |  |  |
|  |  |  |  |

# Attachments and Accessories

## For 74253CP - Z589 Z Master, With 60in TURBO FORCE Side Discharge Mower

| Product Name                               | Model/Part  |
|--|-------------|
| Blade-Mid Flow, 20.5 Inch                  | 105-7715-03 |
| Blade-Lo Flow, 20.5 Inch                   | 105-7716-03 |
| Blade-Hi Flow, 20.5 Inch                   | 105-7718-03 |
| Blade-Recycler, 20.5 Inch                  | 105-7777-03 |
| Blade-Atomic, 20.5 Inch                    | 105-8777-03 |
| 60 Inch Recycler Kit                       | 107-1611    |
| Striping Kit                               | 107-1630    |
| Turbo Baffle Kit                           | 107-1634    |
| Light Kit                                  | 107-9880    |
| 6 Pack Blade, 20.5 Inch Hi-Flow            | 108-1114    |
| 6 Pack-Blade, 20.5 Inch Atomic             | 108-1115    |
| 6 Pack Blade, 20.5 Inch Mid-Flow           | 108-1123    |
| 6 Pack-Blade, 20.5 Inch Lo Flow            | 108-1128    |
| Roller Striping Kit                        | 108-2162    |
| 6 Pack-Blade, 20.5 Inch Recycler           | 110-0405    |
| DFS Vac Collection System Mounting Kit     | 110-0891    |
| DFS Bagger Gusset Kit                      | 110-3946    |
| Bimini Sunshade                            | 110-5726    |
| 60 Inch Deck Finishing Kit (Triple Bagger) | 78502       |
| Vac Collection System                      | 78514       |
| Chute Gate Kit                             | 78521       |
| Triple Bag Assembly                        | 78534       |
| Blower and Drive Kit                       | 78538       |
| Filter Minder Gauge                        | 99-4664     |
| Hitch Kit                                  | 99-8925     |

