



Discharge Chute Kit

For Sand Pro, Grounds Pro and Groundsmaster Debris Blowers

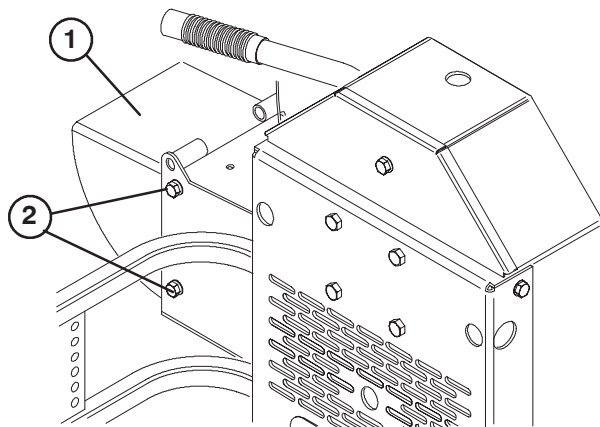
Model No. 08860

Form No. 3324-993 Rev. A

Installation Instructions

Note: If front discharge is desired, an optional Chute, Toro Part No. 104-0329-01, is available.

1. Remove screws and washers securing deflector to blower discharge opening (Fig. 1). Remove deflector and retain for future installation.



Sand Pro Debris Blower Shown

Figure 1

1. Discharge opening deflector
2. Deflector mounting screws

2. Mount pivot assembly to top of chute assembly with (5) 3/8-16 x 7/8" lg. carriage bolts, .406 x .813 flat washers and 3/8-16 locknuts (Fig. 2).

Note: Chute assembly can be rotated 180 degrees for right or left discharge on debris blower.

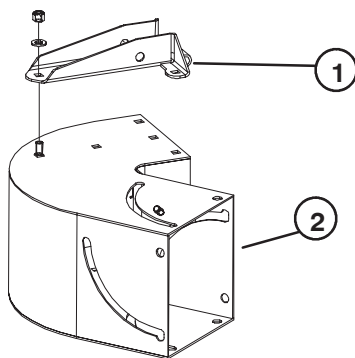


Figure 2

1. Pivot assembly
2. Chute assembly

3. Using (2) 3/8-16 x 7/8" carriage bolts, .406 x .813 flat washers and 3/8-16 locknuts, mount a cover plate and spring mount bracket to slot in front of blower discharge chute (Fig. 3).
4. Using (2) 3/8-16 x 7/8" carriage bolts, .406 x .813 flat washers and 3/8-16 locknuts, mount a cover plate to slot in rear of blower discharge chute (Fig. 3).

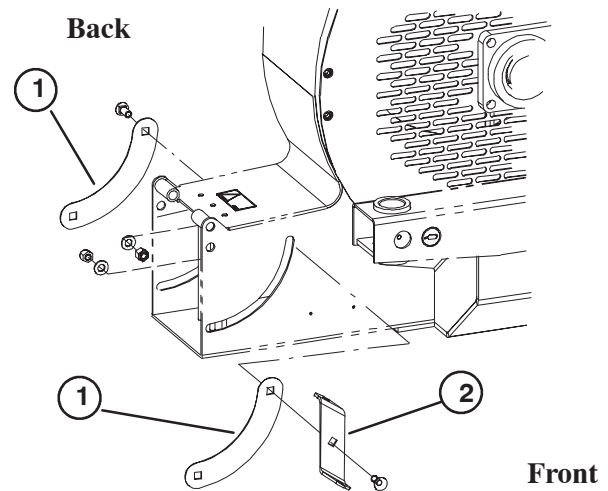


Figure 3

1. Cover plate
2. Spring mount bracket

5. Mount an eye bolt to side of chute assembly with (2) washers and jam nuts. Position eye bolt as shown in (Fig. 4).

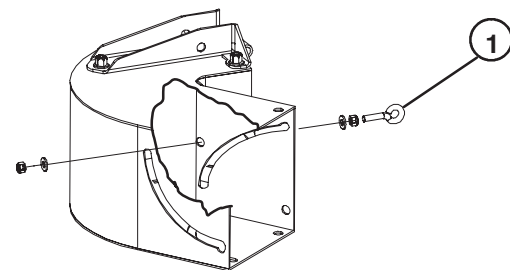


Figure 4

1. Eye bolt

6. Mount the deflector to chute assembly with screws and washers previously removed (Fig. 5).

