



Groundsmaster[®] 4500-D

Model No. 30856 - 250000501 and up.

Parts Catalog

Ordering Replacement Parts

To order replacement parts, please supply the part number, the quantity, and the description of each part desired.

Understanding Reference Numbers

Each identified part in an illustration has a reference number. The reference number for a part also appears in the parts list, along with other information about the part.

This catalog uses two special reference number formats, one to indicate parts in a service assembly and another to indicate the quantity of a given part in an illustration.

Service Assembly Reference Numbers

Parts in service assemblies have reference numbers in the form a:b. The a represents the reference number of the entire service assembly and the b represents a sequential number unique to each part within the service assembly.

For example, a wheel assembly might be identified by reference number 6, the tire by 6:1, the valve by 6:2, and the wheel by 6:3. When you order the assembly identified by reference number 6, you receive all parts identified by reference numbers 6:1, 6:2, and 6:3. However, you may also order any part individually. Reference numbers of this type appear in illustrations and in part lists.

Reference Numbers Indicating Quantity

In an illustration, if a reference number indicates more than one part, the reference number has the form nX y. The n represents the quantity of the part, the X is the multiplication symbol, and the y represents the reference number.

For example, in an illustration, the reference number 2X 37 means that two of the parts identified by reference number 37 are indicated.

Contents

| Description | Page | Description | Page |
|---|-------------|--|-------------|
| Hood Screen and Bumper Assembly | 4 | Front Frame Assembly No. 108-6051 | 53 |
| Steering Tower Assembly | 6 | Roller Support and Access Panel Assembly | 54 |
| Steering Control Assembly No. 114-5074 | 7 | Manifold Assembly | 55 |
| Traction and Brake Pedal Assembly | 8 | Manifold Assembly No. 104-5475 | 56 |
| Throttle and Seat Frame Assembly | 9 | 4 Wheel Drive Manifold and Filter Assembly | 57 |
| Control Console Assembly | 10 | Filter Manifold Assembly No. 100-5558 | 58 |
| Hydraulic Filter and Reservoir Assembly | 11 | 4 Wheel Drive Manifold Assembly No. 105-9875 | 59 |
| Fuel Tank and Filter Assembly | 12 | Traction Hydraulic Line Assembly | 60 |
| Front Drive and Brake Assembly | 13 | Hydraulic Steering Line Assembly | 61 |
| Planetary Assembly No. 105-4500-03 | 14 | Mow Block Hydraulic Line Assembly | 62 |
| Brake Assembly No. 100-3070-03 | 15 | Hydraulic Lift Line Assembly | 63 |
| Piston Motor Assembly No. 105-1218 | 16 | Lift Valve and Counter Balance Assembly | 64 |
| Brake Assembly No. 100-3069-03 | 17 | Manifold Assembly No. 104-5495 | 65 |
| Manifold Mounting and Fitting Assembly | 18 | Single Spool Valve Assembly No. 104-5494 | 66 |
| Hydraulic Pump Assembly | 19 | Crankcase Assembly | 67 |
| Triple Pump Assembly No. 105-9845 | 20 | Oil Pan Assembly | 68 |
| Piston Pump Assembly No. 105-9846 | 21 | Cylinder Head Assembly | 69 |
| Control Assembly No. 93-6306 | 23 | Gear Case Assembly | 70 |
| Radiator Assembly | 24 | Head Cover Assembly | 71 |
| Fan and Solenoid Assembly | 25 | Oil Filter Assembly | 72 |
| Engine Installation Assembly | 26 | Dipstick and Guide Assembly | 73 |
| Air Cleaner Assembly No. 99-5410 | 28 | Oil Pump Assembly | 74 |
| Rear Axle Assembly | 29 | Main Bearing Case | 75 |
| Hydraulic Cylinder Assembly No. 107-1976 | 30 | Camshaft and Idler Gear Shaft Assembly | 76 |
| Piston Motor Assembly No. 105-1219 | 31 | Piston and Crankshaft Assembly | 77 |
| Bevel Pinion Shaft Assembly Rear Axle Assembly No. 110-4750 | 32 | Flywheel Assembly | 78 |
| Differential Assembly Rear Axle Assembly No. 110-4750 | 33 | Fuel Camshaft and Governor Shaft Assembly | 79 |
| Axle Support Assembly Rear Axle Assembly No. 110-4750 | 34 | Engine Stop Lever Assembly | 80 |
| Bevel Gear Case Assembly Rear Axle Assembly No. 110-4750 | 35 | Injection Pump Assembly | 81 |
| Bevel Gear Shaft Assembly Rear Axle Assembly No. 110-4750 | 36 | Injection Pump (Component Part) Assembly | 82 |
| Axle Case Assembly Rear Axle Assembly No. 110-4750 | 37 | Governor Assembly | 83 |
| Axle Assembly Rear Axle Assembly No. 110-4750 | 38 | Speed Control Plate Assembly | 84 |
| Coupler Spacer and Adapter Plate Assembly | 39 | Nozzle Holder and Glow Plug Assembly | 85 |
| Battery Installation Assembly | 40 | Fuel Filter and Fuel Pump | 86 |
| Water / Fuel Filter Assembly No. 98-9305 | 41 | Alternator and Pulley Assembly | 87 |
| Front Lift Arm Assembly | 42 | Alternator (Component Part) Assembly | 88 |
| Hydraulic Cylinder Assembly No. 107-1979 | 44 | Starter Assembly | 89 |
| Hydraulic Cylinder Assembly No. 107-1980 | 45 | Starter (Component Part) Assembly | 90 |
| Lift Lever Assembly | 46 | Oil Switch / Thermometer and Plug Assembly | 91 |
| No. 2 and 3 Lift Arm Assembly | 47 | Water Flange and Thermostat Assembly | 92 |
| Hydraulic Cylinder Assembly No. 107-1978 | 48 | Water Pump Assembly | 93 |
| No. 2 and 3 Hose Installation Assembly | 49 | Water Pipe Assembly | 94 |
| No. 1, 4 and 5 Hose Installation Assembly | 50 | Fan Assembly | 95 |
| Hydraulic Motor Assembly No. 105-9872 | 51 | Valve and Rocker Arm Assembly | 96 |
| Roll-Over Protection System and Frame Assembly | 52 | Inlet Manifold Assembly | 97 |
| | | Exhaust Manifold Assembly | 98 |
| | | Turbo Charger Assembly | 99 |
| | | Oil Pipe (Turbo Charger) Assembly | 100 |
| | | Oil Cooler Assembly | 101 |
| | | Muffler Gasket and Glow Controller | 102 |
| | | Engine Operators Manual | 103 |
| | | Gasket Assembly | 104 |
| | | Attachments and Accessories List | 105 |

Part Description Abbreviations

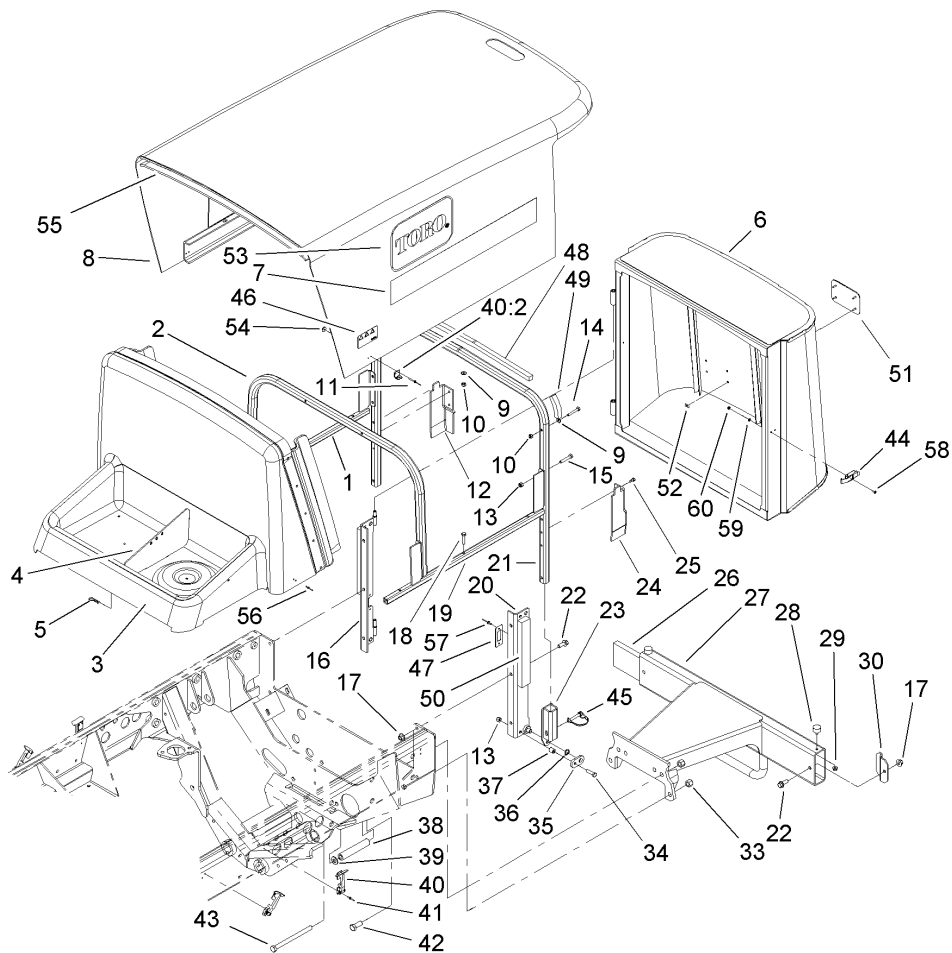
Part descriptions in this catalog may include the following abbreviations.

| | | | |
|-------------|--------------------------------|-------------|----------------------------------|
| AR. | as required | HYD. | hydraulic |
| ASM. | assembly | LH. | left hand |
| BBC. | blade brake clutch | NI. | nylon insert |
| CARR. | carriage | NPTF. | national pipe thread fine |
| DEG. | degrees | PFH. | phillips flat head |
| EXT. | external | PPH. | phillips pan head |
| FH. | flat head | PPHTF. | phillips pan head thread forming |
| GA. | gauge | PRH. | phillips round head |
| HD. | heavy-duty | PTH. | phillips truss head |
| HF. | hex flange | PTO. | power-take-off |
| HH. | hex head | RH. | right hand |
| HHF. | hex head flange | ROPS. | roll-over protection system |
| HHFTF. | hex head flange thread forming | SFH. | slotted fillister head |
| HJ. | hex jam | SHH. | slotted hex head |
| HLH. | hex lag head | SHWH. | slotted hex washer head |
| HOC. | height-of-cut | SPH. | slotted pan head |
| HSBH. | hex socket button head | SQH. | square head |
| HSFH. | hex socket flat head | SRH. | slotted round head |
| HSH. | hex socket head | STD. | standard |
| HWH. | hex washer head | TAP. | self tapping |
| HWHTF. | hex washer head thread forming | TTH. | torx truss head |

Footnotes

❶ Not illustrated

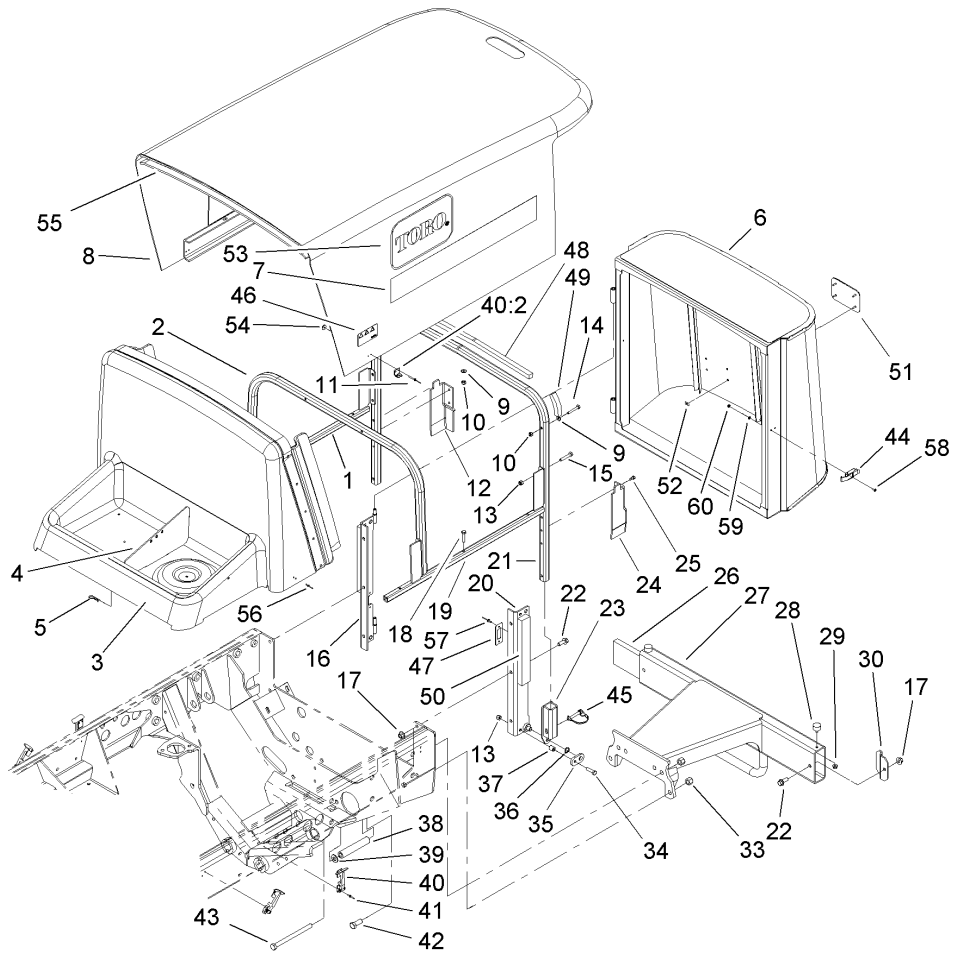
❷ Not serviced separately



Hood Screen and Bumper Assembly

| Ref | Part No. | Qty. | Description |
|-----|-------------|------|----------------------|
| 1 | 107-1975-03 | 1 | RH Hood Frame ASM |
| 2 | 107-1973-03 | 1 | Tube-Front, Hood |
| 3 | 104-5430 | 1 | Shroud-Front |
| 4 | 104-5446-03 | 1 | Divider-Shroud |
| 5 | 3290-467 | 2 | Pin-Hair |
| 6 | 104-5454-03 | 1 | Screen ASM |
| 7 | 105-9877 | 2 | Decal |
| 8 | 104-5419 | 1 | Hood |
| 8:1 | 106-8116 | 1 | Heat Tape Repair Kit |
| 9 | 3256-22 | 12 | Washer-Flat |
| 10 | 3296-42 | 12 | Nut-Lock, NI |
| 11 | 3269-17 | 4 | Rivet-Pop |
| 12 | 104-5431 | 1 | Cover-Tube, RH |
| 13 | 3296-29 | 10 | Nut-Lock, NI |
| 14 | 321-10 | 6 | Screw-HH |
| 15 | 322-9 | 8 | Screw-HH |
| 16 | 104-5445-03 | 1 | RH Support ASM |
| 17 | 32128-43 | 6 | Nut-Flange |
| 18 | 321-13 | 6 | Screw-HH |
| 19 | 107-1974-03 | 1 | LH Hood Frame ASM |
| 20 | 104-5444-03 | 1 | LH Support ASM |
| 21 | 104-5435-03 | 1 | Tube-Rear, Hood |
| 22 | 3234-11 | 6 | Screw-HHF |
| 23 | 104-5440-03 | 2 | Hood Receiver ASM |

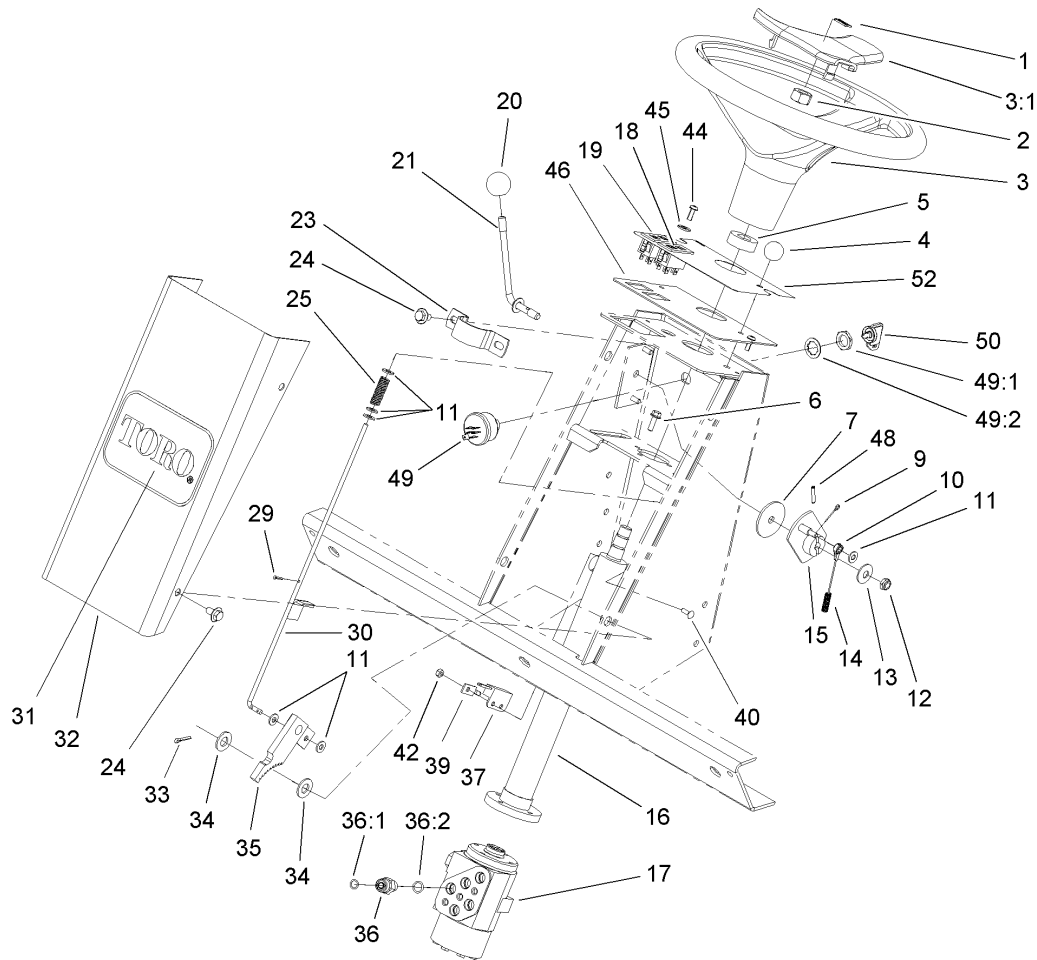
| Ref | Part No. | Qty. | Description |
|------|-------------|------|-------------------------|
| 24 | 104-5432 | 1 | Cover-Tube, LH |
| 25 | 32104-17 | 4 | Screw-HWH |
| 26 | 105-9199-03 | 1 | Weight-Bumper |
| 27 | 105-9221-03 | 1 | Rear Bumper ASM |
| 28 | 240-14 | 2 | Bumper-Rubber |
| 29 | 32128-33 | 2 | Nut-HF |
| 30 | 105-9200-03 | 2 | Clamp-Weight, Bumper |
| 33 | 3296-23 | 4 | Nut-Lock, NI |
| 34 | 322-17 | 2 | Screw-HH |
| 35 | 104-5450 | 2 | Retainer-Receiver, Hood |
| 36 | 3290-221 | 2 | Washer-Spring |
| 37 | 104-5451 | 2 | Spacer-Receiver, Hood |
| 38 | 76-8350 | 2 | Stop-Axle |
| 39 | 3256-26 | 2 | Washer-Flat |
| 40 | 59-9740 | 4 | Flex Draw Latch ASM |
| 40:2 | 249-40 | 1 | Keeper |
| 41 | 3290-55 | 8 | Rivet-Pop |
| 42 | 325-6 | 2 | Screw-HH |
| 43 | 325-33 | 2 | Screw-HH |
| 44 | 105-3912 | 1 | Latch-Draw |
| 45 | 105-9245 | 2 | Pin-Lock |
| 46 | 106-6754 | 2 | Decal-Danger |
| 47 | 104-5459 | 1 | Plate-Latch |
| 48 | 105-9234 | 1 | Seal-Foam |



Hood Screen and Bumper Assembly (continued)

| Ref | Part No. | Qty. | Description |
|-----|----------|------|---------------|
| 49 | 105-9237 | 2 | Seal-Foam |
| 50 | 105-9235 | 2 | Seal-Foam |
| 51 | 93-6028 | 1 | Plate-Logo |
| 52 | 94-2638 | 4 | Nut-Tinnerman |
| 53 | 66-1210 | 2 | Decal |
| 54 | 3269-10 | 8 | Washer-Back |
| 55 | 105-9829 | 1 | Seal-Foam |
| 56 | 3290-55 | 4 | Rivet-Pop |
| 57 | 3269-15 | 2 | Rivet |
| 58 | 3249-3 | 2 | Screw |
| 59 | 3256-53 | 2 | Washer-Flat |
| 60 | 3296-9 | 2 | Nut-Lock |

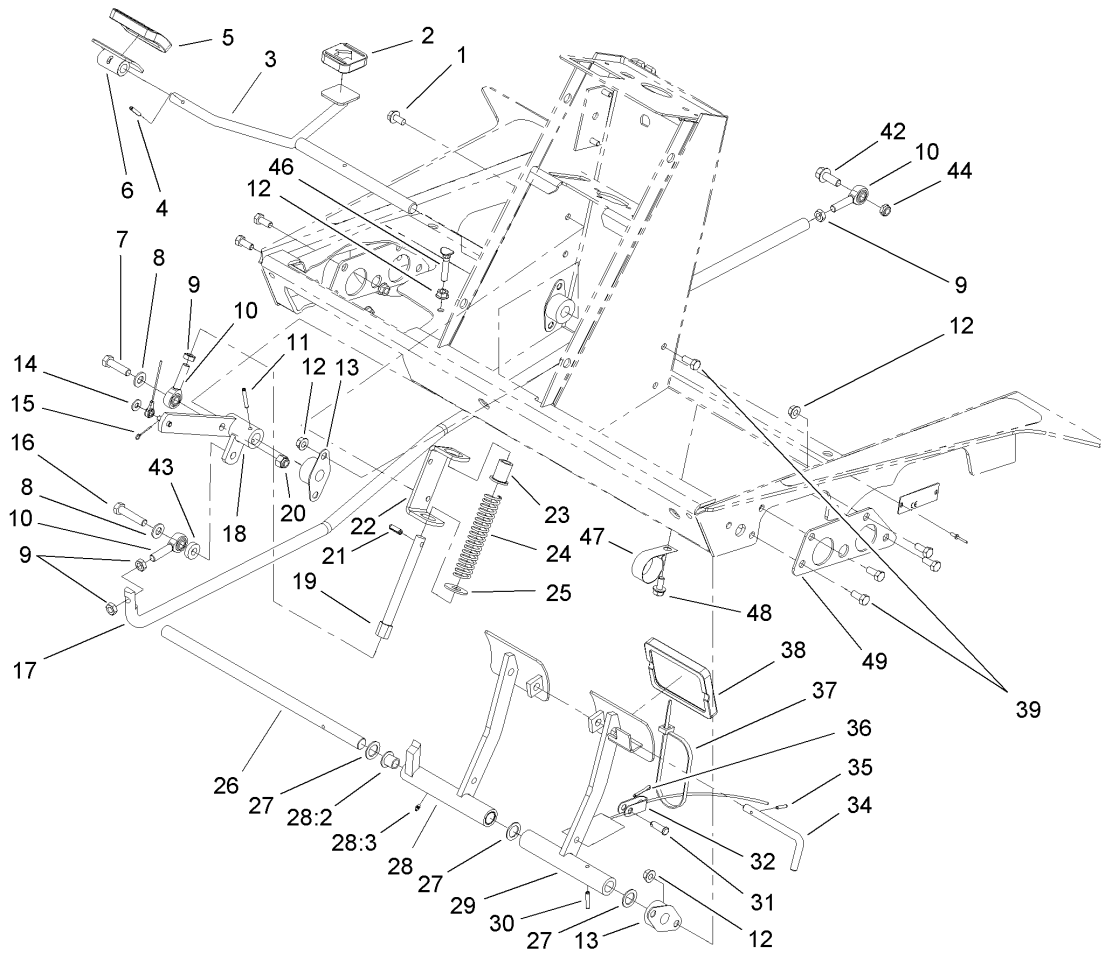
| | | | |
|--|--|--|--|
| | | | |
|--|--|--|--|



Steering Tower Assembly

| Ref | Part No. | Qty. | Description |
|-----|------------|------|--------------------------|
| 1 | 98-1459 | 1 | Decal |
| 2 | 107-2562 | 1 | Nut-Hex |
| 3 | 98-1471 | 1 | Wheel-Steering |
| 3:1 | 98-1468 | 1 | Cover-Wheel, Steering |
| 4 | 233-17 | 1 | Knob |
| 5 | 21-9260 | 1 | Cover-Dust |
| 6 | 33103-016 | 3 | Screw-HHF |
| 7 | 75-6550 | 1 | Disc-Friction |
| 9 | 3272-2 | 1 | Pin-Cotter |
| 10 | 75-6580 | 1 | Cable-Pedal |
| 11 | 3256-22 | 6 | Washer-Flat |
| 12 | 3296-59 | 1 | Nut-Lock, NI |
| 13 | 3290-461 | 1 | Washer-Spring |
| 14 | 95-7151 | 1 | Tube-Convolutd |
| 15 | 75-6510 | 1 | Bracket-Lever |
| 16 | 94-9951 | 1 | Column-Steering |
| 17 | 114-5074 | 1 | Steering Control ASM |
| 18 | 100-8071 | 1 | Lamp-Warning |
| 19 | 100-8070 | 1 | Lamp-Warning |
| 20 | 233-42 | 1 | Knob |
| 21 | 75-6490 | 1 | Lever ASM |
| 23 | 75-2810 | 1 | Bracket-Column, Steering |
| 24 | 3234-7 | 6 | Screw-HHF |
| 25 | 95-1821-03 | 1 | Spring-Compression |

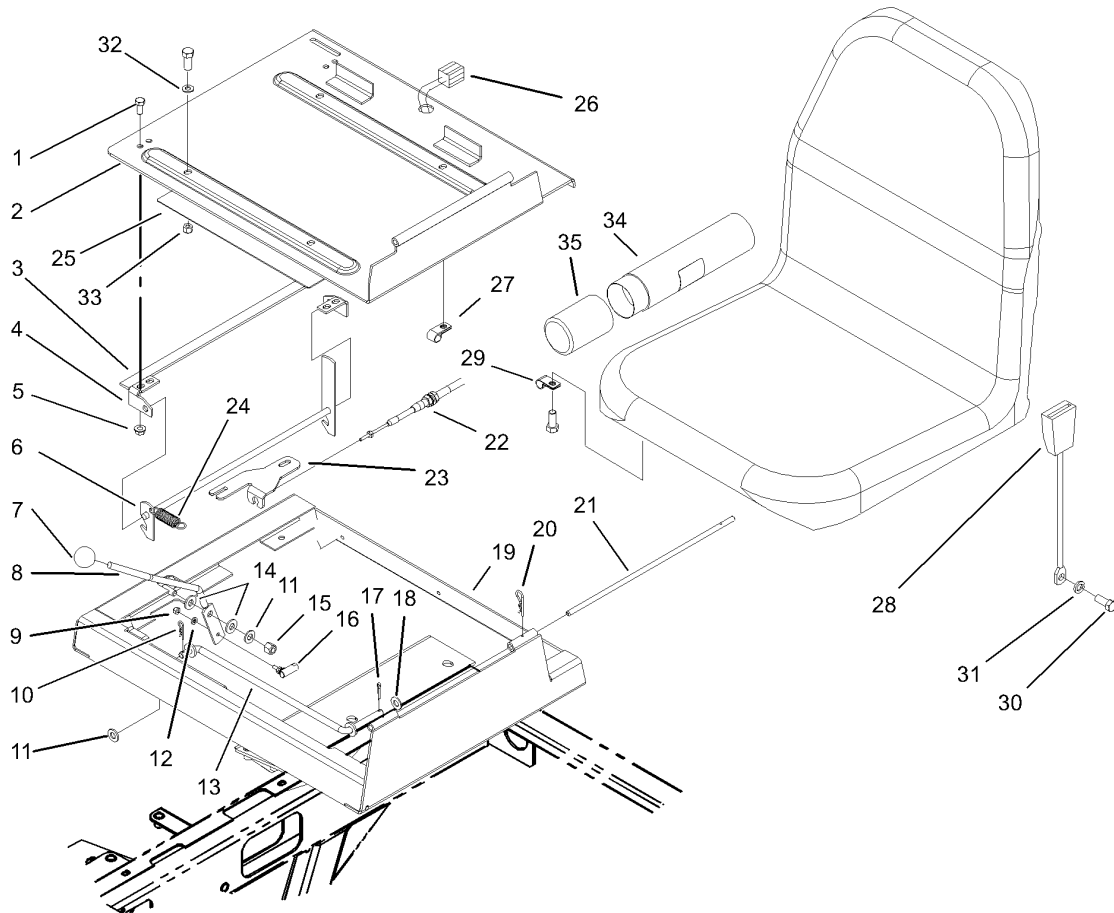
| Ref | Part No. | Qty. | Description |
|------|-------------|------|-----------------------|
| 29 | 3272-5 | 3 | Pin-Cotter |
| 30 | 104-1492 | 1 | Rod ASM |
| 31 | 62-5550 | 1 | Decal |
| 32 | 93-7996-01 | 1 | Cover-Tower |
| 33 | 3272-10 | 1 | Pin-Cotter |
| 34 | 3256-26 | 2 | Washer-Flat |
| 35 | 63-7900-03 | 1 | Rack ASM |
| 36 | 340-2 | 5 | Fitting-HYD, Straight |
| 36:1 | 237-22 | 1 | O-Ring |
| 36:2 | 237-42 | 1 | O-Ring |
| 37 | 100-1270 | 1 | Switch-Proximity |
| 39 | 100-4872 | 1 | Plate-Switch, Neutral |
| 40 | 3229-34 | 1 | Bolt-CARR |
| 42 | 3296-2 | 1 | Nut-Lock |
| 44 | 87-6620 | 2 | Screw |
| 45 | 3256-1 | 2 | Washer-Flat |
| 46 | 105-9232-03 | 1 | Plate-Instrument |
| 48 | 32121-45 | 1 | Pin-Spring |
| 49 | 104-2541 | 1 | Switch ASM |
| 49:1 | 218-461 | 1 | Nut-HH |
| 49:2 | 3254-5 | 1 | Washer-Tooth |
| 50 | 63-8360 | 1 | Key-Ignition |
| 52 | 105-3888 | 1 | Decal-Tower |
| 99 | 3290-379 | 1 | Tie-Cable |



Traction and Brake Pedal Assembly

| Ref | Part No. | Qty. | Description |
|-----|-------------|------|-----------------------|
| 1 | 32144-14 | 2 | Screw-HWHTF |
| 2 | 74-9110 | 1 | Pad-Pedal, Reverse |
| 3 | 75-2970 | 1 | Pedal-Traction |
| 4 | 32121-45 | 1 | Pin-Spring |
| 5 | 74-9100 | 1 | Pad-Pedal, Forward |
| 6 | 49-6440-03 | 1 | Pedal-Forward |
| 7 | 323-29 | 1 | Screw-HH |
| 8 | 3256-24 | 2 | Washer-Flat |
| 9 | 3220-3 | 4 | Nut-HJ |
| 10 | 2411-36 | 3 | Bearing-End, Rod |
| 11 | 32121-6 | 1 | Pin-Roll, Slotted |
| 12 | 32128-20 | 19 | Nut-HF |
| 13 | 256-236 | 4 | Bearing-Mount, Flange |
| 14 | 3256-22 | 1 | Washer-Flat |
| 15 | 3272-2 | 1 | Pin-Cotter |
| 16 | 323-9 | 1 | Screw-HH |
| 17 | 104-5632-03 | 1 | Rod-Control, Pump |
| 18 | 75-3270-03 | 1 | Hub-Pivot, Traction |
| 19 | 92-7609 | 1 | Shaft-Spring |
| 20 | 3296-39 | 2 | Nut-Lock, NI |
| 21 | 32121-11 | 1 | Pin-Roll |
| 22 | 92-7608-03 | 1 | Bracket-Spring |
| 23 | 92-7610 | 1 | Retainer-Spring |
| 24 | 84-9100 | 1 | Spring |

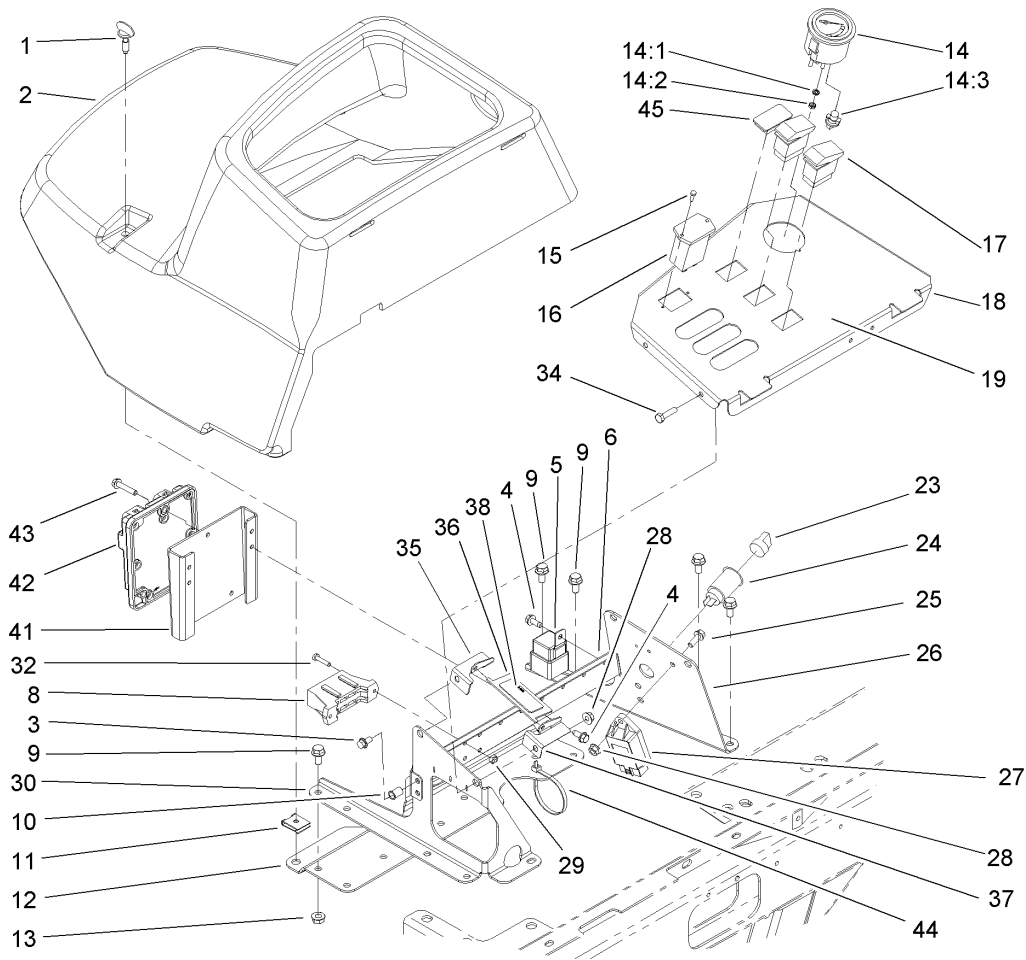
| Ref | Part No. | Qty. | Description |
|------|-------------|------|--------------------------|
| 25 | 3256-5 | 1 | Washer-Flat |
| 26 | 75-1470 | 1 | Pin-Pivot, Brake |
| 27 | 3256-69 | 3 | Washer-Flat |
| 28 | 75-1430 | 1 | Pedal-Brake, RH |
| 28:2 | 256-42 | 2 | Bushing |
| 28:3 | 302-5 | 1 | Fitting-Grease |
| 29 | 75-1440-03 | 1 | LH Brake Pedal ASM |
| 30 | 32121-16 | 1 | Pin-Spring |
| 31 | 283-58 | 2 | Pin-Clevis |
| 32 | 92-7530 | 1 | LH Brake Cable ASM |
| 33 | 92-7529 | 1 | RH Brake Cable ASM |
| 34 | 63-7880 | 1 | Pin-Latch, Brake |
| 35 | 32121-50 | 1 | Pin-Spring |
| 36 | 3272-10 | 2 | Pin-Cotter |
| 37 | 3290-378 | 1 | Tie-Cable |
| 38 | 93-8742 | 2 | Footpad-Brake |
| 39 | 322-3 | 15 | Screw-HH |
| 42 | 3234-11 | 1 | Screw-HHF |
| 43 | 5-0652 | 1 | Spacer |
| 44 | 3296-59 | 1 | Nut-Lock, NI |
| 46 | 17-9420 | 2 | Screw-Handle |
| 47 | 2412-150 | 1 | Clip-J |
| 48 | 3234-14 | 1 | Screw-HHF |
| 49 | 106-7794-01 | 2 | Plate-Mount, HYD Fitting |



Throttle and Seat Frame Assembly

| Ref | Part No. | Qty. | Description |
|-----|-------------|------|-------------------------|
| 1 | 322-3 | 8 | Screw-HH |
| 2 | 98-2350-03 | 1 | Seat Plate ASM |
| 3 | 94-8146 | 1 | Strip-Foam |
| 4 | 98-2353 | 2 | Bracket-Latch, Seat |
| 5 | 32128-25 | 4 | Nut-HF |
| 6 | 98-2354-03 | 1 | Latch-Seat |
| 7 | 233-42 | 1 | Knob |
| 8 | 93-7598-03 | 1 | Lever-Throttle |
| 9 | 3296-21 | 1 | Nut-Lock, NI |
| 10 | 3290-307 | 1 | Pin-Hair |
| 11 | 3256-24 | 3 | Washer-Flat |
| 12 | 3256-51 | 1 | Washer-Flat |
| 13 | 75-3680-03 | 1 | Rod-Seat |
| 14 | 66-2920 | 2 | Washer-Friction |
| 15 | 3296-39 | 1 | Nut-Lock, NI |
| 16 | 2411-38 | 1 | Joint-Ball |
| 17 | 3272-10 | 1 | Pin-Cotter |
| 18 | 52-2900 | 2 | Washer-Plastic |
| 19 | 98-2352-03 | 1 | Frame-Seat |
| 20 | 3290-467 | 1 | Pin-Hair |
| 21 | 75-3400 | 1 | Shaft-Pivot, Seat |
| 22 | 104-7547 | 1 | Cable-Throttle |
| 23 | 105-3929-03 | 1 | Bracket-Cable, Throttle |
| 24 | 66-4190-03 | 1 | Spring-Idler, Clutch |

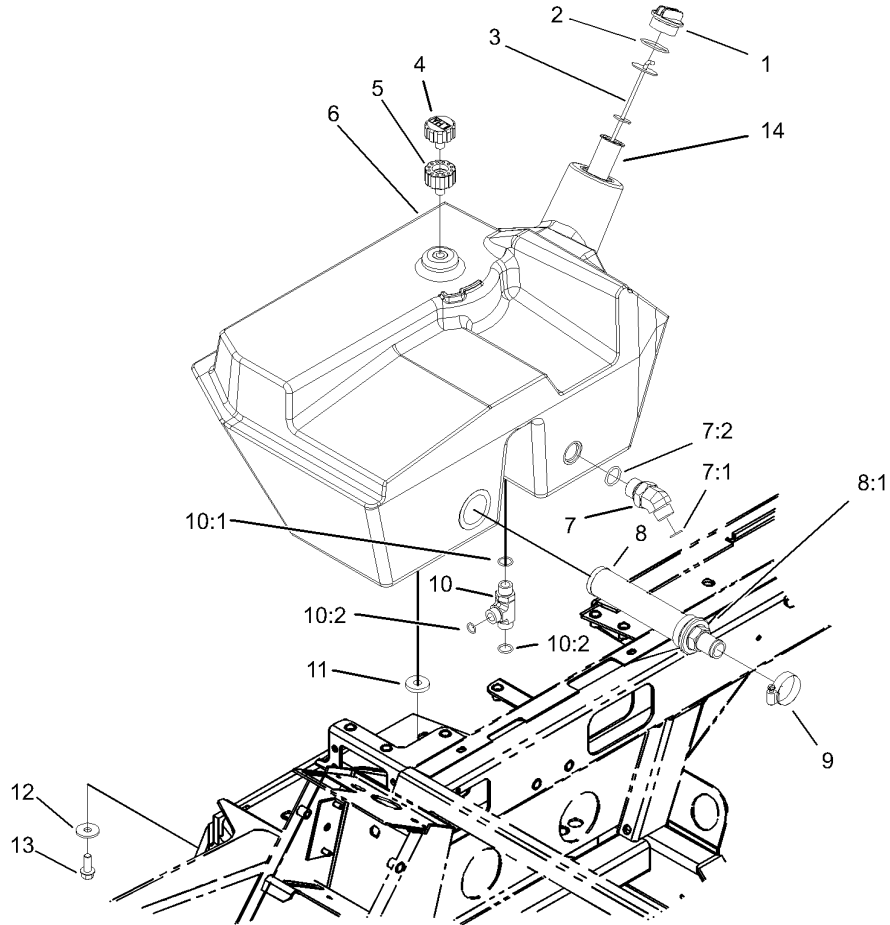
| Ref | Part No. | Qty. | Description |
|-----|----------|------|---------------------------|
| 25 | 105-9895 | 1 | Decal-Quick Reference |
| 26 | 105-9189 | 1 | Harness-Wire, Seat Switch |
| 27 | 2412-133 | 2 | R-Clamp |
| 28 | 100-4928 | 1 | Belt-Seat |
| 29 | 2412-93 | 1 | Clamp-R |
| 30 | 3212-4 | 2 | Screw-HH |
| 31 | 3253-6 | 2 | Washer-Lock |
| 32 | 3256-23 | 4 | Washer-Flat |
| 33 | 3296-29 | 8 | Nut-Lock, NI |
| 34 | 104-7050 | 1 | Housing-Manual |
| 35 | 104-7048 | 1 | Cap-Housing |



Control Console Assembly

| Ref | Part No. | Qty. | Description |
|------|-------------|------|-----------------------|
| 1 | 105-9208 | 2 | Screw-Head, Wing |
| 2 | 104-5599 | 1 | Cover-Console |
| 3 | 3234-13 | 4 | Screw-HHF |
| 4 | 32144-10 | 7 | Screw-HWH |
| 5 | 99-7430 | 3 | Relay |
| 6 | 104-5613-03 | 1 | Panel-Relay |
| 8 | 105-9867 | 1 | Harness-Wire, Console |
| ●8:2 | 218-578 | 4 | Fuse-10 Amp |
| ●8:3 | 109355 | 1 | Fuse-15 Amp |
| ●8:4 | 100-4918 | 1 | Diode |
| ●8:5 | 92-3188 | 1 | Diode-Board, Circuit |
| ●8:6 | 94-6710 | 1 | Fuse-Blade, 2 Amp |
| 9 | 3234-14 | 9 | Screw-HHF |
| 10 | 32148-6 | 6 | Insert-Nut |
| 11 | 105-9209 | 2 | Receptacle-Clip On |
| 12 | 104-5612-03 | 1 | Support-Cover |
| 13 | 32128-20 | 4 | Nut-HF |
| 14 | 98-9308 | 1 | Gauge-Temperature |
| 14:1 | 3254-1 | 3 | Washer-Lock, Int |
| 14:2 | 3217-27 | 3 | Nut-Hex |
| 14:3 | 105-9265 | 1 | Bulb And Lamp ASM |
| 15 | 32144-18 | 2 | Screw-HH |
| 16 | 75-6820 | 1 | Hourmeter |
| 17 | 95-8999 | 2 | Switch |

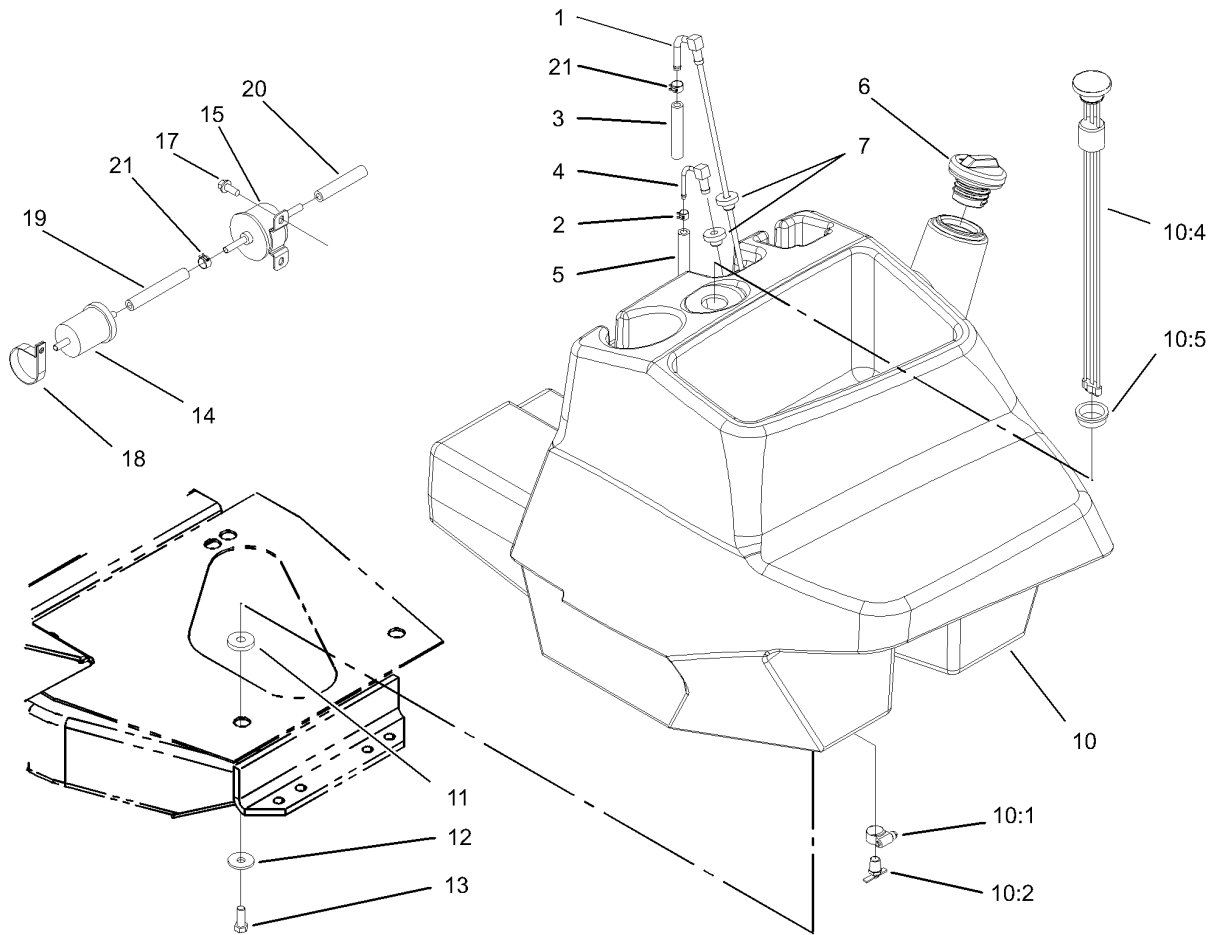
| Ref | Part No. | Qty. | Description |
|-----|-------------|------|--------------------------|
| 18 | 108-4043-03 | 1 | Dash |
| ●19 | 105-9223 | 1 | Decal-Console, Ce |
| 19 | 108-4044 | 1 | Decal-Console |
| 23 | 99-7416 | 1 | Cap |
| 24 | 99-7411 | 1 | Point-Power |
| 25 | 3234-4 | 1 | Screw-HHF |
| 26 | 104-5610-03 | 1 | Panel-Dash, Rear |
| 27 | 98-7611 | 1 | Controller-Glow |
| 28 | 32128-33 | 3 | Nut-HF |
| 29 | 3296-2 | 6 | Nut-Lock |
| 30 | 104-5609-03 | 1 | Panel-Dash, Front |
| ●31 | 105-3986 | 1 | Module-Control, Deck |
| 32 | 32105-13 | 6 | Screw-HWH |
| 34 | 321-6 | 2 | Screw-HH |
| 35 | 105-9840 | 1 | Bracket-Latch, RH |
| 36 | 105-9842 | 1 | Plate-Latch, Ce |
| 37 | 105-9841 | 1 | Bracket-Latch, LH |
| 38 | 105-9830 | 1 | Decal-Lever Lock, Ce |
| 41 | 105-9873-03 | 1 | Bracket-Module |
| 42 | 106-9277 | 1 | Module-Control, Standard |
| 43 | 32144-110 | 3 | Screw-HWH |
| 44 | 3290-379 | 5 | Tie-Cable |
| 45 | 99-7420 | 1 | Plug-Hole |



Hydraulic Filter and Reservoir Assembly

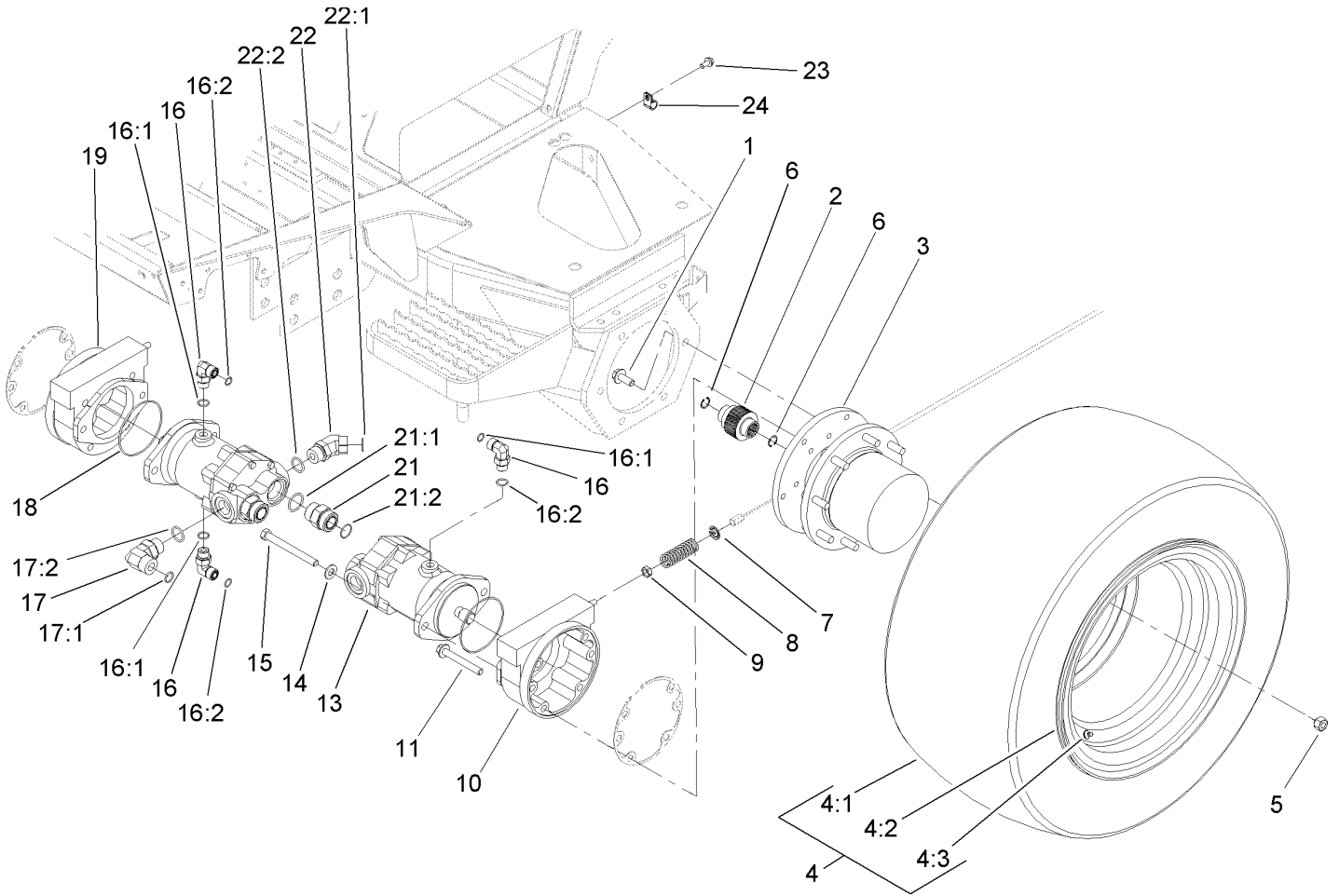
| Ref | Part No. | Qty. | Description |
|------|----------|------|------------------|
| 1 | 93-7498 | 1 | Plug-Plastic |
| 2 | 94-8166 | 1 | O-Ring |
| 3 | 75-3710 | 1 | Dipstick |
| 4 | 68-6150 | 1 | Breather |
| 5 | 92-8020 | 1 | Adapter-Breather |
| 6 | 104-5600 | 1 | Tank-HYD |
| 7 | 340-156 | 1 | Fitting-HYD |
| 7:1 | 237-65 | 1 | O-Ring |
| 7:2 | 237-81 | 1 | O-Ring |
| 8 | 104-7546 | 1 | Strainer-Tank |
| 8:1 | 340-136 | 1 | O-Ring |
| 9 | 2412-111 | 2 | Clamp |
| 10 | 340-109 | 1 | Fitting-HYD, Tee |
| 10:1 | 237-79 | 1 | O-Ring |
| 10:2 | 237-30 | 2 | O-Ring |
| 11 | 240-11 | 3 | Bushing-Flange |
| 12 | 63-8410 | 3 | Washer |
| 13 | 3234-11 | 3 | Screw-HHF |
| 14 | 61-2790 | 1 | Filter-Screen |

| | | | |
|--|--|--|--|
| | | | |
|--|--|--|--|



Fuel Tank and Filter Assembly

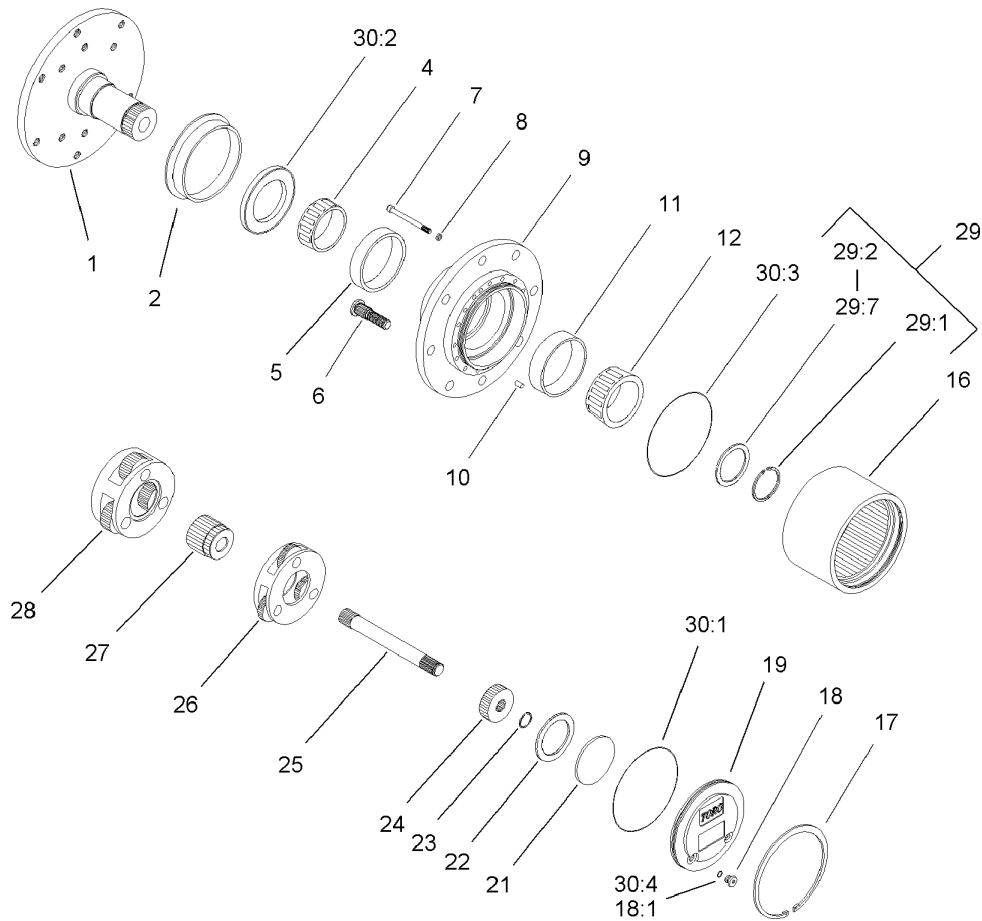
| Ref | Part No. | Qty. | Description |
|------|----------|------|---------------------|
| 1 | 104-5604 | 1 | Fitting-Suction |
| 2 | 2412-80 | 2 | Clamp-Line, Fuel |
| 3 | 39-1120 | 1 | Hose-Fuel |
| 4 | 104-5605 | 1 | Fitting-Return |
| 5 | 105-9242 | 1 | Hose-Fuel |
| 6 | 93-3102 | 1 | Cap-Fuel |
| 7 | 46-6560 | 2 | Bushing |
| 10 | 104-5601 | 1 | Fuel Tank ASM |
| 10:1 | 2412-36 | 1 | Clamp-Hose |
| 10:2 | 304-46 | 1 | Draincock |
| 10:4 | 104-5603 | 1 | Gauge-Level, Fuel |
| 10:5 | 95-8972 | 1 | Grommet |
| 11 | 240-11 | 4 | Bushing-Flange |
| 12 | 63-8410 | 4 | Washer |
| 13 | 3234-11 | 4 | Screw-HHF |
| 14 | 98-7612 | 1 | Filter-Fuel |
| 15 | 107-0122 | 1 | Pump-Fuel, Electric |
| 17 | 32144-10 | 3 | Screw-HWH |
| 18 | 2412-148 | 1 | Clamp-R |
| 19 | 105-9196 | 1 | Hose-Fuel |
| 20 | 93-2230 | 1 | Hose-Fuel |
| 21 | 92-2379 | 5 | Clamp-Hose |



Front Drive and Brake Assembly

| Ref | Part No. | Qty. | Description |
|------|-------------|------|--------------------------|
| 1 | 33106-030 | 12 | Screw-HHF |
| 2 | 100-3046 | 2 | Shaft-Brake, Splined |
| 3 | 105-4500-03 | 2 | Planetary ASM |
| 4 | | 2 | Wheel And Tire ASM |
| 4:1 | 95-3465 | 1 | Tire |
| 4:2 | 95-3464 | 1 | Rim |
| 4:3 | 232-24 | 1 | Stem-Valve |
| 5 | 92-7483 | 16 | Nut-Lug |
| 6 | 93-7972 | 4 | Ring-Retaining, Internal |
| 7 | 94-3050 | 2 | Plate-Spring |
| 8 | 94-3088 | 2 | Spring-Compression |
| 9 | 3218-4 | 2 | Nut-Jam |
| 10 | 100-3070-03 | 1 | Brake ASM |
| 11 | 33106-090 | 8 | Screw-HHF |
| 13 | 105-1218 | 2 | Motor-Piston |
| 14 | 3256-26 | 4 | Washer-Flat |
| 15 | 33116-120 | 4 | Screw-HH |
| 16 | 340-98 | 3 | Fitting-HYD, 90 DEG |
| 16:1 | 237-79 | 1 | O-Ring |
| 16:2 | 237-30 | 1 | O-Ring |
| 17 | 340-142 | 2 | Fitting-HYD, 90 DEG |
| 17:1 | 237-58 | 1 | O-Ring |
| 17:2 | 237-81 | 1 | O-Ring |
| 18 | 237-166 | 2 | O-Ring |

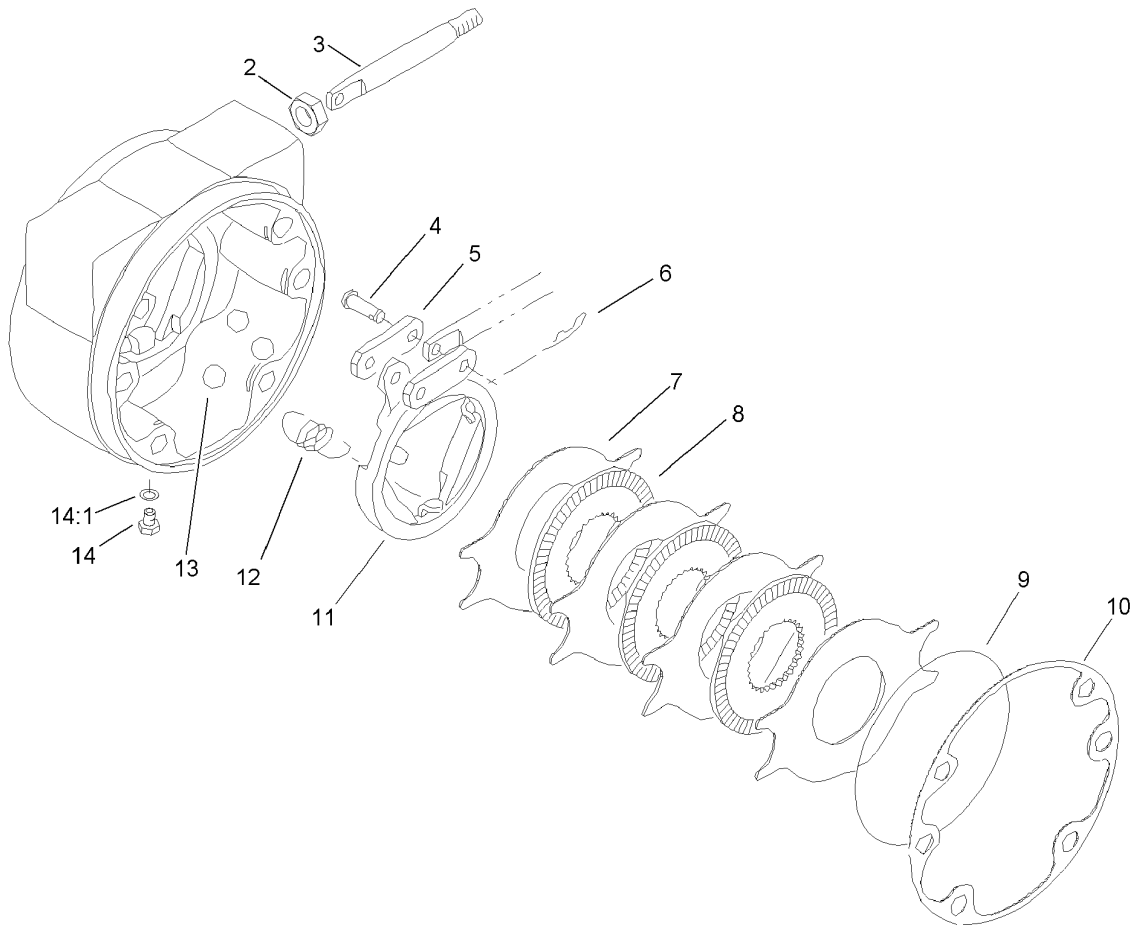
| Ref | Part No. | Qty. | Description |
|------|-------------|------|-----------------------|
| 19 | 100-3069-03 | 1 | Brake ASM |
| 21 | 104-3797 | 4 | Fitting-HYD, Straight |
| 21:1 | 237-146 | 1 | O-Ring |
| 21:2 | 340-65 | 1 | O-Ring |
| 22 | 100-5530 | 2 | Fitting-HYD, 45 DEG |
| 22:1 | 237-58 | 1 | O-Ring |
| 22:2 | 237-81 | 1 | O-Ring |
| 23 | 32144-14 | 2 | Screw-HWHTF |
| 24 | 2412-93 | 2 | Clamp-R |



Planetary Assembly No. 105-4500-03

| Ref | Part No. | Qty. | Description |
|------|----------|------|-----------------------|
| ②1 | | 1 | Spindle |
| 2 | 105-8122 | 1 | Seal-Boot |
| 4 | 105-8120 | 1 | Bearing-Cone |
| 5 | 105-8119 | 1 | Bearing-Cup |
| 6 | 105-8124 | 8 | Stud-Wheel |
| 7 | 105-8125 | 16 | Bolt-Head, Socket |
| 8 | 3253-18 | 16 | Washer-Lock |
| ②9 | | 1 | Housing |
| 10 | 105-8121 | 1 | Pin-Dowel |
| 11 | 105-8117 | 1 | Bearing-Cup |
| 12 | 105-8118 | 1 | Bearing-Cone |
| 16 | 105-8113 | 1 | Gear-Ring |
| 17 | 105-8132 | 1 | Ring-Retaining |
| 18 | 353-990 | 2 | Plug |
| 18:1 | 237-78 | 1 | O-Ring |
| 19 | 105-8138 | 1 | Cap-End |
| 21 | 105-8133 | 1 | Plug-Thrust |
| 22 | 105-8123 | 1 | Washer-Thrust |
| 23 | 105-8131 | 1 | Ring-Retaining |
| 24 | 105-8114 | 1 | Gear-Primary |
| 25 | 105-8115 | 1 | Shaft-Drive |
| 26 | 105-8129 | 1 | Primary Carrier ASM |
| 27 | 105-8139 | 1 | Gear-Secondary |
| 28 | 105-8130 | 1 | Secondary Carrier ASM |

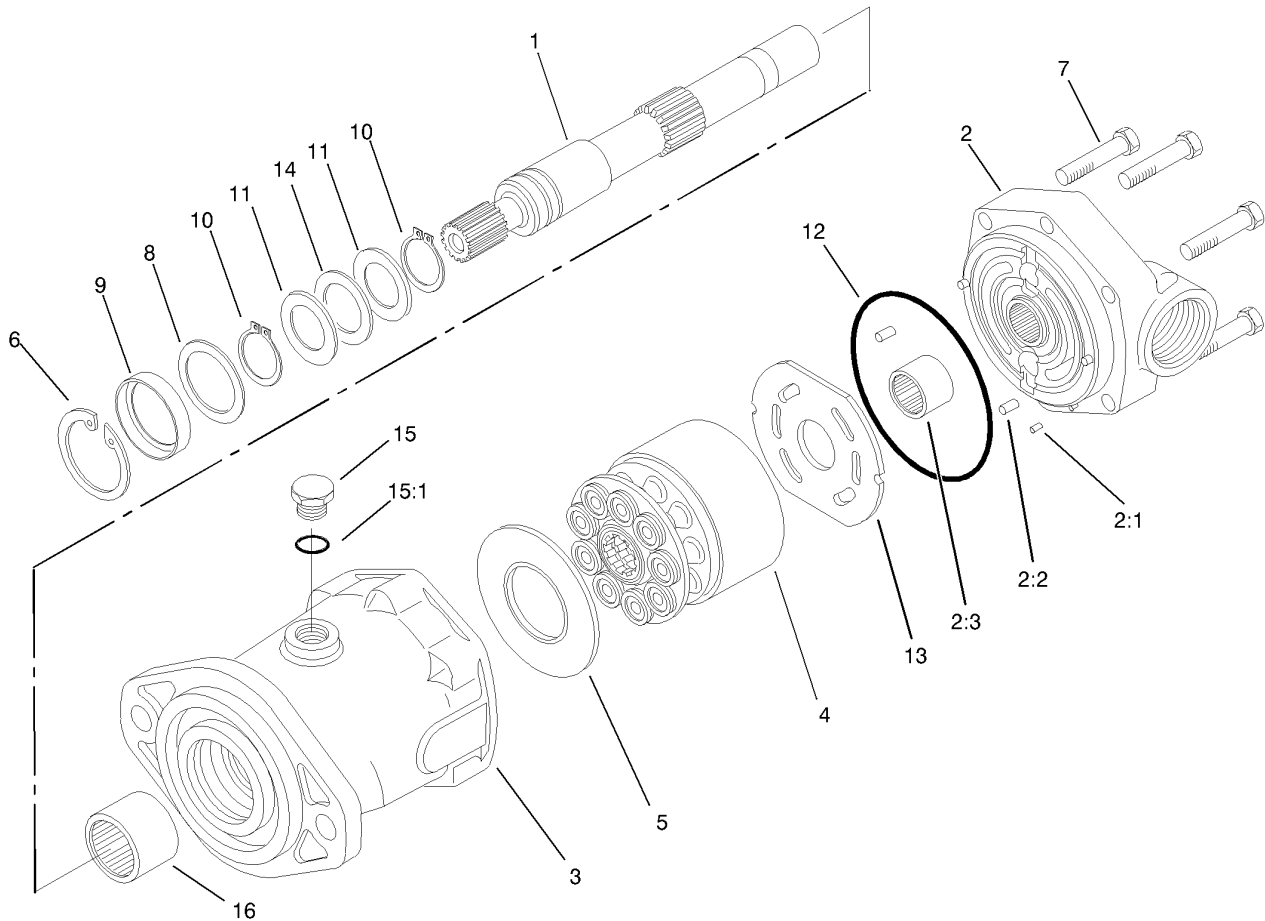
| Ref | Part No. | Qty. | Description |
|-------|----------|------|---------------------|
| 29 | 105-8136 | 1 | Shim Kit |
| ②29:1 | | 1 | Ring-Snap |
| ②29:2 | | 1 | Shim-Bearing, 2.9Mm |
| ②29:3 | | 1 | Shim-Bearing, 2.8Mm |
| ②29:4 | | 1 | Shim-Bearing, 2.7Mm |
| ②29:5 | | 1 | Shim-Bearing, 2.6Mm |
| ②29:6 | | 1 | Shim-Bearing, 2.5Mm |
| ②29:7 | | 1 | Shim-Bearing, 2.4Mm |
| ①30 | 105-8137 | 1 | Seal Kit |
| ②30:1 | | 1 | O Ring-Flange Cap |
| ②30:2 | | 1 | Seal-Oil |
| ②30:3 | | 2 | O Ring-End Cap |
| 30:4 | 237-78 | 2 | O-Ring |



Brake Assembly No. 100-3070-03

| Ref | Part No. | Qty. | Description |
|------|----------|------|-------------------|
| 2 | 93-7977 | 1 | Seal |
| 3 | 93-7978 | 1 | Rod-Pull |
| 4 | 93-7983 | 2 | Pin-Clevis |
| 5 | 93-7980 | 2 | Link |
| 6 | 93-7979 | 2 | Pin-Hitch |
| 7 | 93-7986 | 4 | Disc-Stationary |
| 8 | 104-4278 | 3 | Disc-Rotating |
| 9 | 93-7976 | 1 | Ring-Retaining |
| 10 | 93-7984 | 1 | Gasket |
| 11 | 104-4279 | 1 | Actuator-Rotating |
| 12 | 93-7987 | 3 | Spring-Extension |
| 13 | 93-7985 | 3 | Ball |
| 14 | 353-990 | 2 | Plug |
| 14:1 | 237-78 | 1 | O-Ring |

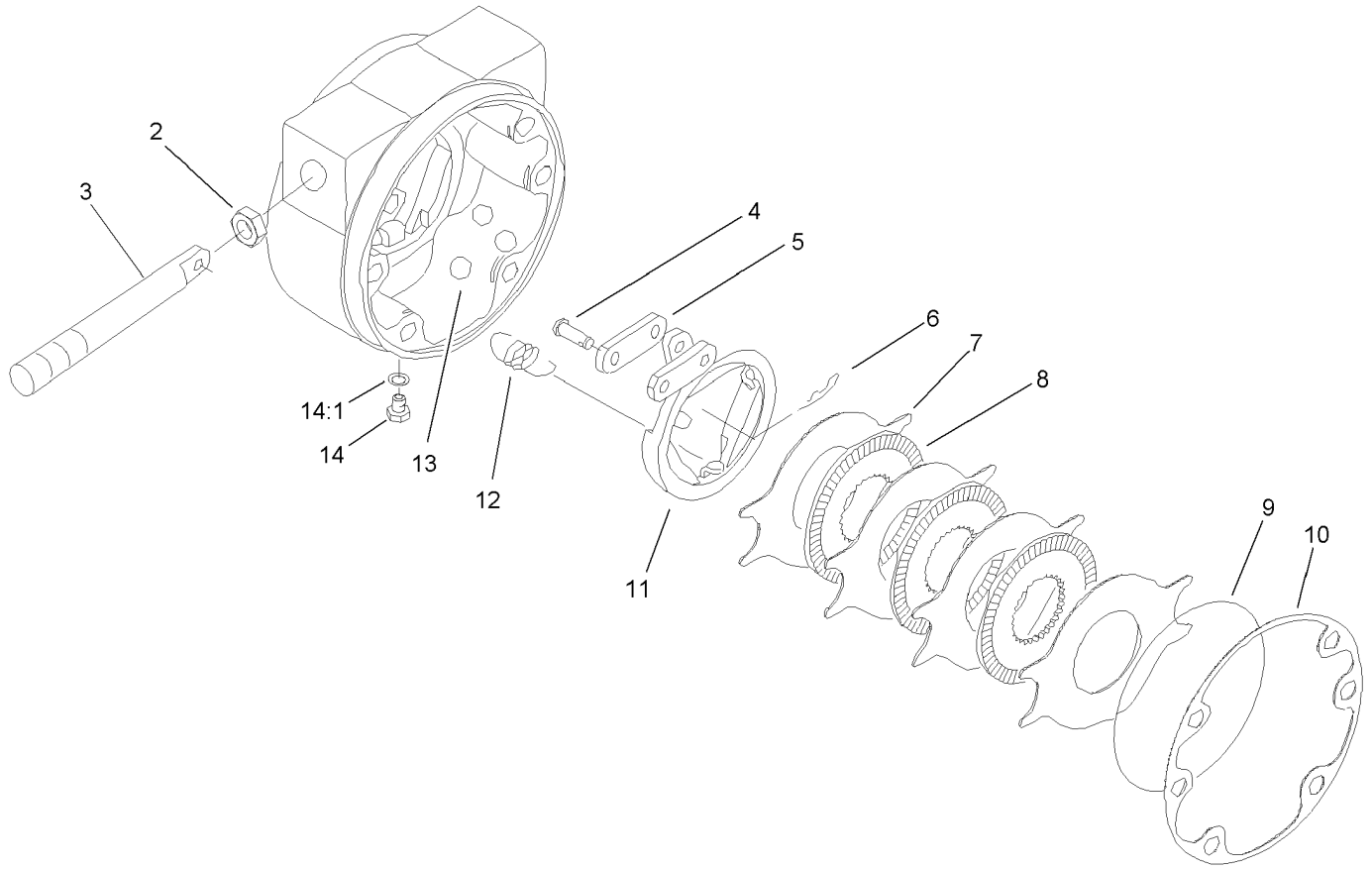
| | | | |
|--|--|--|--|
| | | | |
|--|--|--|--|



Piston Motor Assembly No. 105-1218

| Ref | Part No. | Qty. | Description |
|------|----------|------|----------------------|
| 1 | 94-3004 | 1 | Shaft-Drive, Splined |
| 2 | 105-2851 | 1 | Backplate ASM |
| 2:1 | | 3 | Pin-Dowel |
| 2:2 | | 1 | Pin-Dowel |
| 2:3 | | 1 | Bearing-Needle |
| 2:3 | | 1 | Housing |
| 4 | 76-6910 | 1 | Rotating Kit |
| 5 | 76-6970 | 1 | Insert-Plate, Cam |
| 6 | 60-6260 | 1 | Ring |
| 7 | 94-3002 | 6 | Capscrew |
| 8 | 60-6240 | 1 | Washer |
| 9 | 105-3331 | 1 | Seal-Shaft |
| 10 | 76-7000 | 2 | Ring-Retaining |
| 11 | 76-6950 | 2 | Race-Thrust |
| 12 | 76-6980 | 1 | O-Ring |
| 13 | 94-3003 | 1 | Plate-Valve |
| 14 | 76-6960 | 1 | Bearing-Thrust |
| 15 | 353-550 | 1 | Plug-HYD, HH |
| 15:1 | 237-79 | 1 | O-Ring |
| 16 | 63-4390 | 1 | Bearing-Needle |

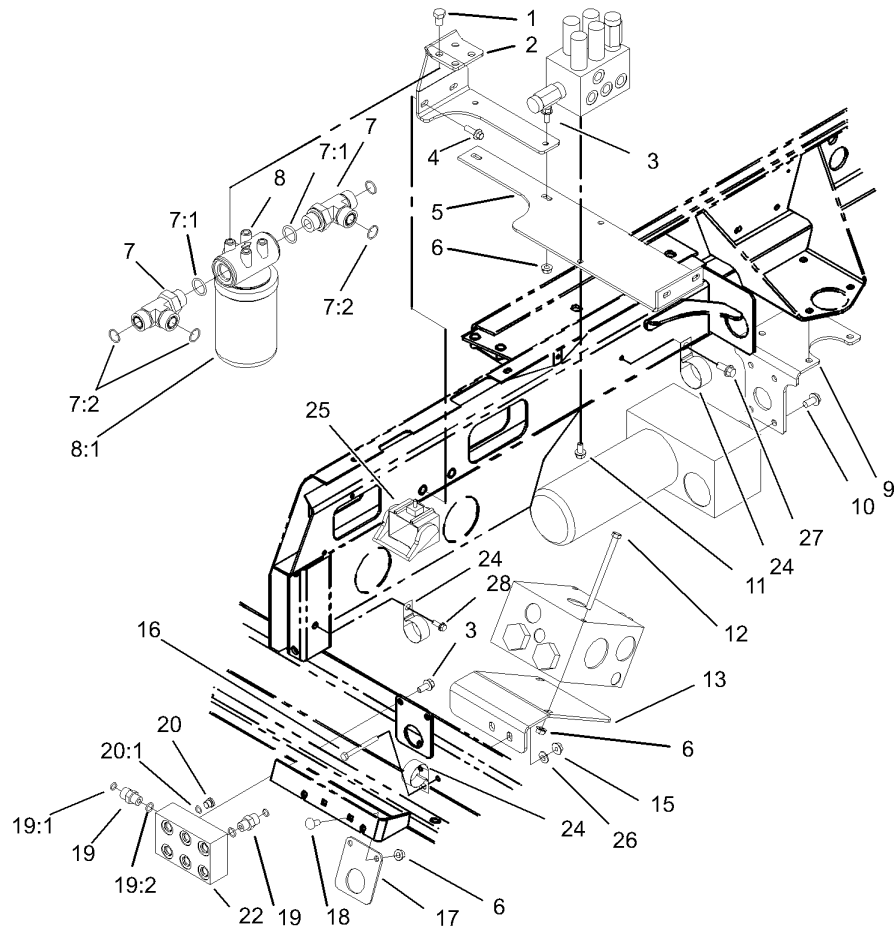
| | | | |
|--|--|--|--|
| | | | |
| | | | |
| | | | |
| | | | |



Brake Assembly No. 100-3069-03

| Ref | Part No. | Qty. | Description |
|------|----------|------|-------------------|
| 2 | 93-7977 | 1 | Seal |
| 3 | 93-7978 | 1 | Rod-Pull |
| 4 | 93-7983 | 2 | Pin-Clevis |
| 5 | 93-7980 | 2 | Link |
| 6 | 93-7979 | 2 | Pin-Hitch |
| 7 | 93-7986 | 4 | Disc-Stationary |
| 8 | 104-4278 | 3 | Disc-Rotating |
| 9 | 93-7976 | 1 | Ring-Retaining |
| 10 | 93-7984 | 1 | Gasket |
| 11 | 104-4280 | 1 | Actuator-Rotating |
| 12 | 93-7987 | 3 | Spring-Extension |
| 13 | 93-7985 | 3 | Ball |
| 14 | 353-990 | 2 | Plug |
| 14:1 | 237-78 | 1 | O-Ring |

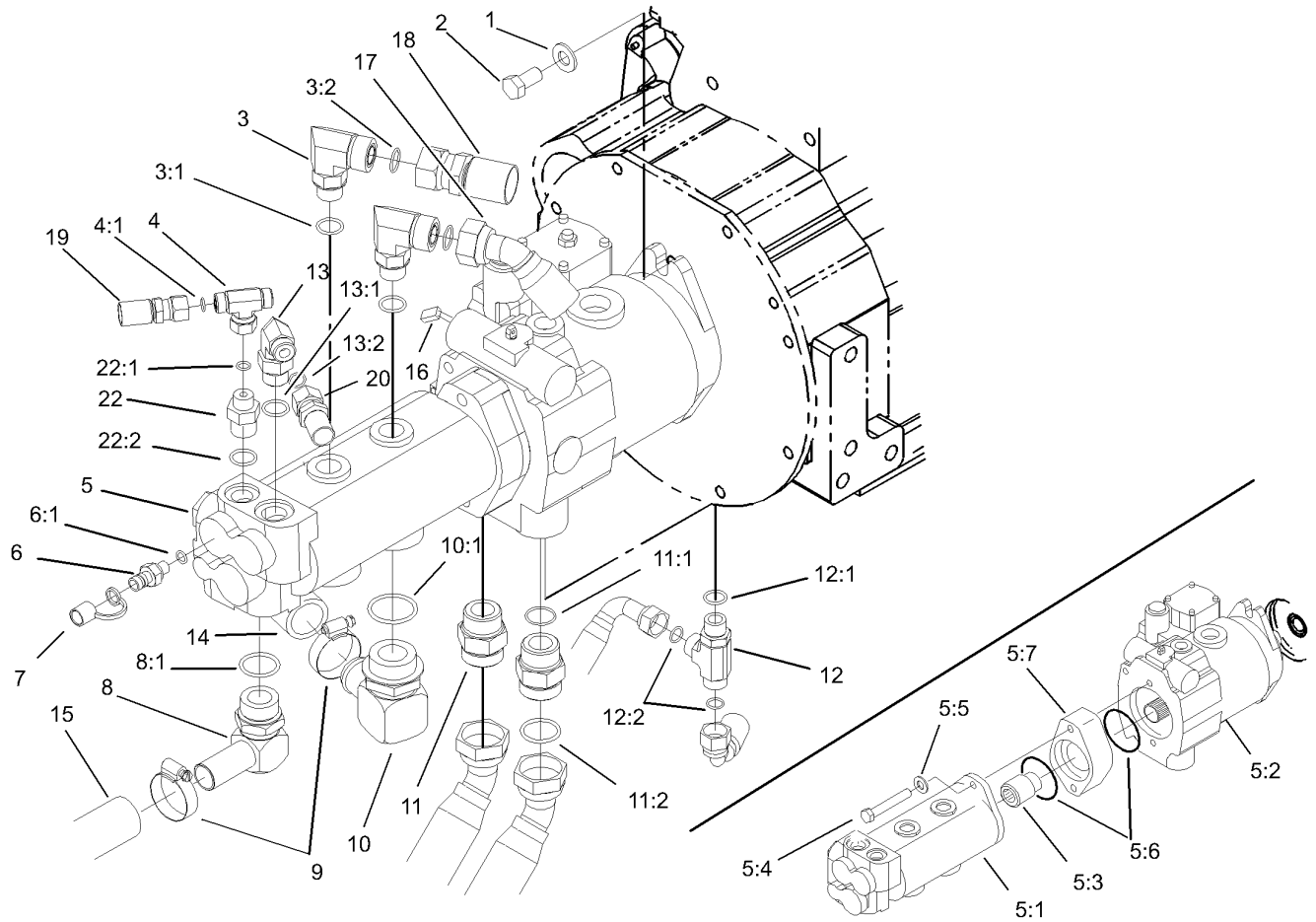
| | | | |
|--|--|--|--|
| | | | |
|--|--|--|--|



Manifold Mounting and Fitting Assembly

| Ref | Part No. | Qty. | Description |
|------|-------------|------|-----------------------|
| 1 | 33115-016 | 4 | Screw-HH |
| 2 | 104-5492-03 | 1 | Bracket-Mount, Filter |
| 3 | 3234-5 | 4 | Screw-HHF |
| 4 | 3234-17 | 4 | Screw-HHF |
| 5 | 104-5493-03 | 1 | Bracket-Mount, Valve |
| 6 | 32128-20 | 6 | Nut-HF |
| 7 | 340-148 | 2 | Fitting-Tee |
| 7:1 | 237-81 | 1 | O-Ring |
| 7:2 | 237-58 | 2 | O-Ring |
| 8 | 93-2242 | 1 | Oil Filter ASM |
| 8:1 | 75-1310 | 1 | Element-Filter |
| 9 | 104-5471-03 | 1 | Bracket-Valve, Filter |
| 10 | 3234-1 | 4 | Screw-HHF |
| 11 | 3234-14 | 2 | Screw-HHF |
| 12 | 322-48 | 2 | Screw-HH |
| 13 | 104-5467-03 | 1 | Bracket-Mount, Valve |
| 15 | 32128-33 | 2 | Nut-HF |
| 16 | 321-14 | 2 | Screw-HH |
| 17 | 104-5516-01 | 1 | Support-Tube |
| 18 | 3230-23 | 2 | Screw-CARR |
| 19 | 340-2 | 4 | Fitting-HYD, Straight |
| 19:1 | 237-22 | 1 | O-Ring |
| 19:2 | 237-42 | 1 | O-Ring |
| 20 | 353-990 | 1 | Plug |

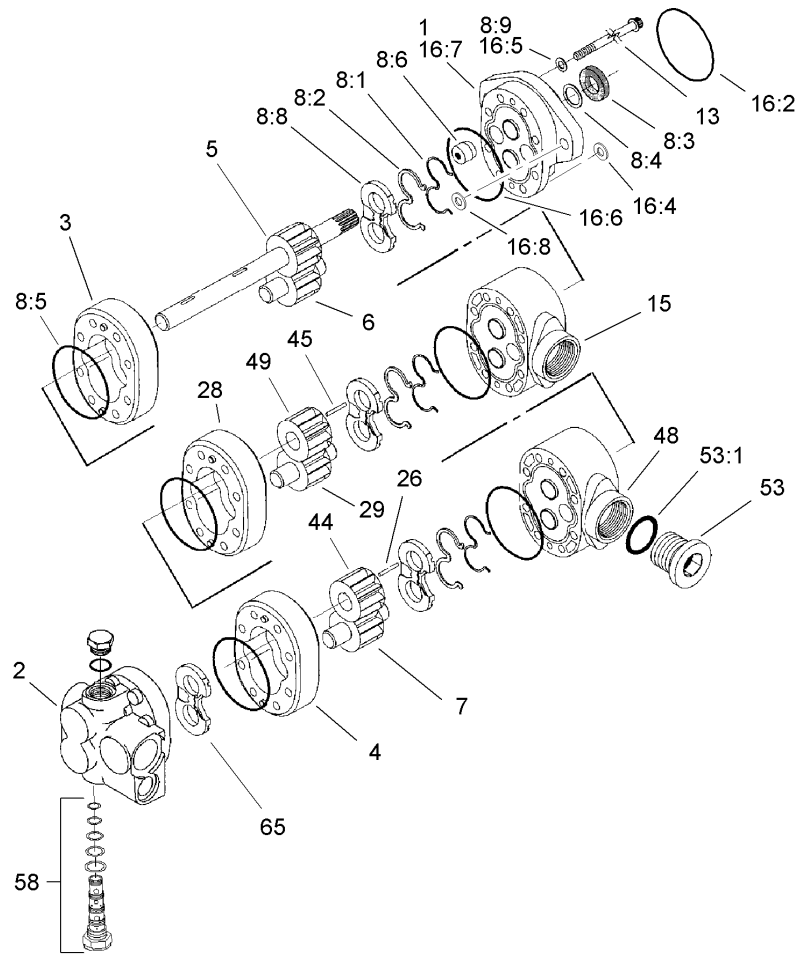
| Ref | Part No. | Qty. | Description |
|------|----------|------|-------------------------|
| 20:1 | 237-78 | 1 | O-Ring |
| 22 | 104-5515 | 1 | Manifold-Junction, Lift |
| 24 | 2412-150 | 3 | Clip-J |
| 25 | 105-9868 | 1 | Harness-Wire, Main |
| 25:1 | 100-4918 | 1 | Diode |
| 26 | 3256-22 | 2 | Washer-Flat |
| 27 | 32144-14 | 1 | Screw-HWHTF |
| 28 | 3234-4 | 1 | Screw-HHF |



Hydraulic Pump Assembly

| Ref | Part No. | Qty. | Description |
|------|----------|------|-----------------------|
| 1 | 87-7270 | 2 | Washer-Thrust |
| 2 | 3213-2 | 2 | Screw-HH |
| 3 | 340-16 | 2 | Fitting-HYD, 90 DEG |
| 3:1 | 237-80 | 1 | O-Ring |
| 3:2 | 237-58 | 1 | O-Ring |
| 4 | 340-166 | 1 | Fitting-Tee, HYD |
| 4:1 | 237-22 | 1 | O-Ring |
| 5 | | 1 | Pump ASM |
| 5:1 | 105-9845 | 1 | Triple Pump ASM |
| 5:2 | 105-9846 | 1 | Piston Pump ASM |
| 5:3 | 74-9030 | 1 | Coupler |
| 5:4 | 323-32 | 2 | Screw-HH |
| 5:5 | 60-3540 | 2 | Washer |
| 5:6 | 60-3520 | 2 | O-Ring |
| 5:7 | 105-2869 | 1 | Spacer |
| 6 | 354-77 | 2 | Fitting-Quick |
| 6:1 | 237-78 | 1 | O-Ring |
| 7 | 354-79 | 2 | Cap-Dust |
| 8 | 56-9530 | 1 | Fitting-HYD, 90 DEG |
| 8:1 | 237-117 | 1 | O-Ring |
| 9 | 2412-111 | 2 | Clamp |
| 10 | 92-7526 | 1 | Fitting-HYD, 90 DEG |
| 10:1 | 237-101 | 1 | O-Ring |
| 11 | 104-3797 | 2 | Fitting-HYD, Straight |

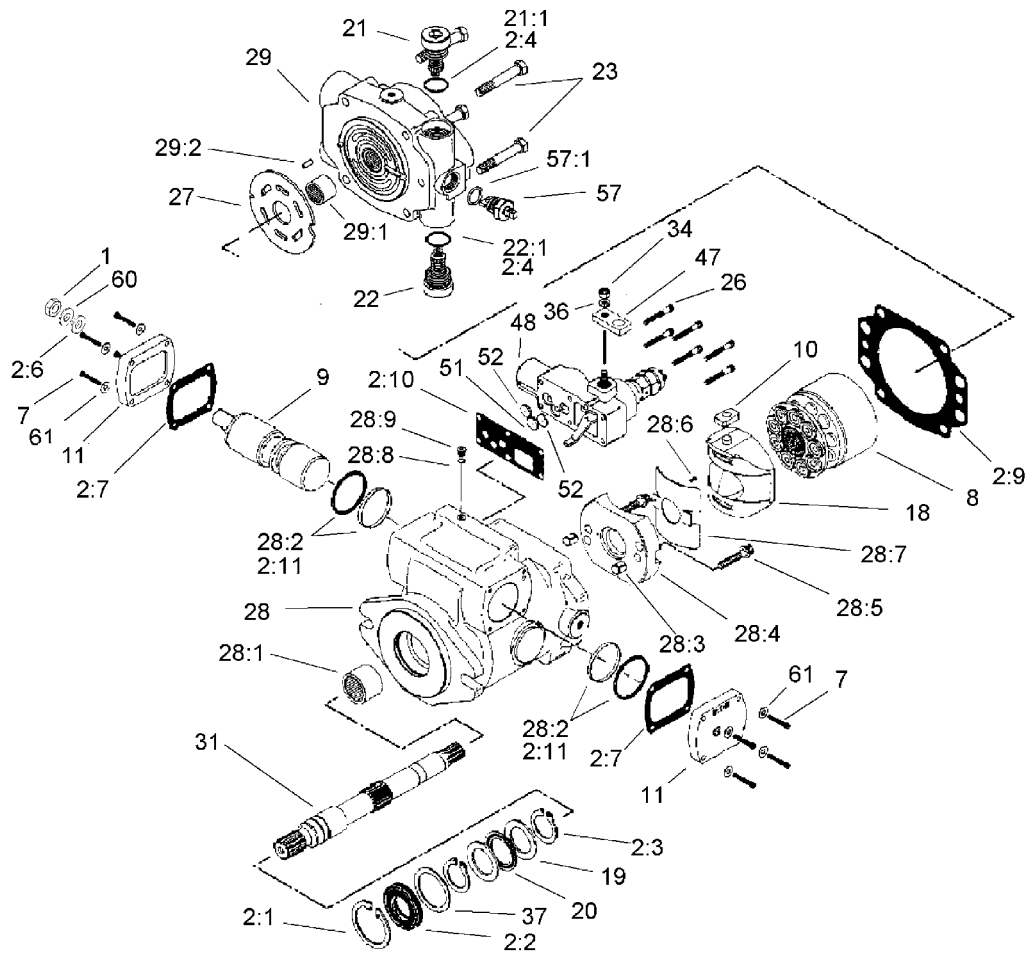
| Ref | Part No. | Qty. | Description |
|------|----------|------|-----------------------|
| 11:1 | 237-146 | 1 | O-Ring |
| 11:2 | 340-65 | 1 | O-Ring |
| 12 | 340-109 | 1 | Fitting-HYD, Tee |
| 12:1 | 237-79 | 1 | O-Ring |
| 12:2 | 237-30 | 2 | O-Ring |
| 13 | 340-98 | 1 | Fitting-HYD, 90 DEG |
| 13:1 | 237-79 | 1 | O-Ring |
| 13:2 | 237-30 | 1 | O-Ring |
| 14 | 104-5482 | 1 | Hose-Suction |
| 15 | 104-5484 | 1 | Hose-Suction |
| 16 | 105-0122 | 1 | Harness-Wire |
| 17 | 105-3874 | 1 | Hose ASM |
| 18 | 105-3875 | 1 | HYD Hose ASM |
| 19 | 92-7595 | 1 | Hose ASM |
| 20 | 105-3869 | 1 | Hose ASM |
| 22 | 340-141 | 1 | Fitting-HYD, Straight |
| 22:1 | 237-22 | 1 | O-Ring |
| 22:2 | 237-80 | 1 | O-Ring |



Triple Pump Assembly No. 105-9845

| Ref | Part No. | Qty. | Description |
|------|----------|------|-----------------|
| 1 | | 1 | Front Plate ASM |
| 2 | | 1 | Back Plate ASM |
| 3 | | 1 | Body |
| 4 | | 1 | Body |
| 5 | | 1 | Drive Gear ASM |
| 6 | | 1 | Gear-Idler |
| 7 | | 1 | Gear-Idler |
| 8 | 94-3015 | 1 | Seal Kit |
| 8:1 | | 3 | Gasket-Back Up |
| 8:2 | | 3 | Seal-Balance |
| 8:3 | 49-2640 | 1 | Seal-Shaft |
| 8:4 | 60-5890 | 1 | Washer |
| 8:5 | | 6 | Seal-Dust |
| 8:6 | | 1 | Plug |
| 8:8 | | 3 | Plate-Wear |
| 8:9 | | 4 | Washer |
| 13 | 105-9849 | 8 | Capscrew |
| 15 | | 1 | Plate-Adaptor |
| 16 | 107-4328 | 1 | Front Plate Kit |
| 16:2 | | 1 | Seal-Dust |
| 16:4 | | 4 | Washer |
| 16:5 | | 4 | Washer-Crush |
| 16:6 | | 1 | Seal-Dust |
| 16:7 | | 1 | Plate-Front |

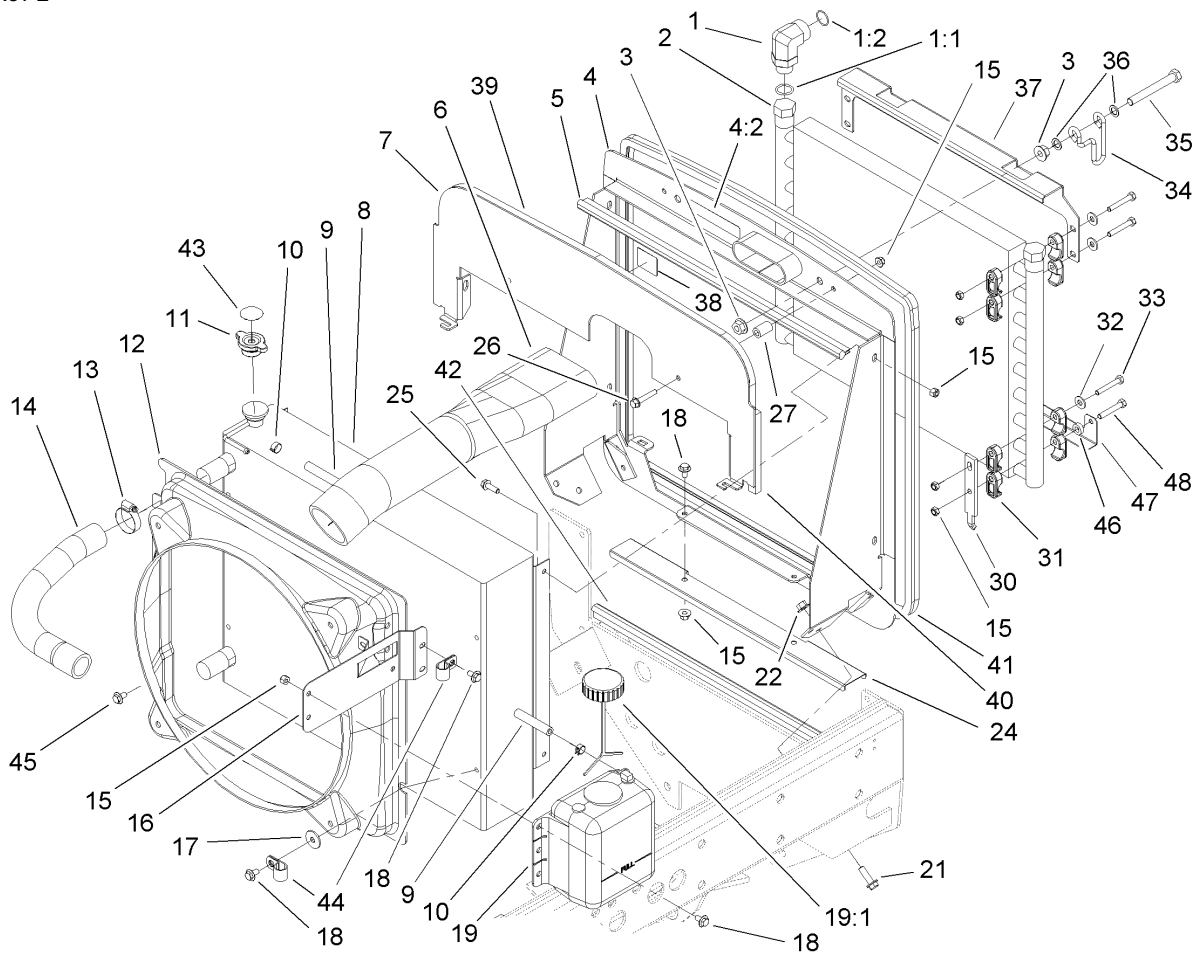
| Ref | Part No. | Qty. | Description |
|------|----------|------|--------------------|
| 16:8 | | 2 | Washer |
| 26 | | 1 | Key |
| 28 | | 1 | Body |
| 29 | | 1 | Gear-Idler |
| 44 | | 1 | Gear |
| 45 | | 1 | Key |
| 48 | | 1 | Plate-Adaptor |
| 49 | | 1 | Gear |
| 53 | 94-3013 | 1 | Plug |
| 53:1 | | 1 | Seal-Dust |
| 58 | 107-1970 | 1 | Valve-Proportional |
| 65 | | 1 | Plate-Thrust |



Piston Pump Assembly No. 105-9846

| Ref | Part No. | Qty. | Description |
|------|----------|------|-------------------------|
| 1 | 3220-2 | 1 | Nut-Jam |
| 2 | 107-1561 | 1 | Seal Kit |
| 2:1 | 60-6260 | 1 | Ring |
| 2:2 | 105-3331 | 1 | Seal-Shaft |
| 2:3 | 76-7000 | 2 | Ring-Retaining |
| 2:4 | | 2 | Seal-Dust |
| 2:5 | 93-6314 | 2 | O-Ring |
| 2:6 | 94-3027 | 1 | Washer-Seal |
| 2:7 | 93-6339 | 2 | Gasket |
| 2:8 | 105-2905 | 1 | O-Ring |
| 2:9 | 105-2900 | 1 | Gasket-Housing |
| 2:10 | 105-2901 | 1 | Gasket-Housing, Control |
| 2:11 | | 2 | Seal ASM |
| 2:12 | 74-9380 | 1 | O-Ring |
| 7 | 3274-81 | 8 | Screw-HSH |
| 8 | 105-9851 | 1 | Rotating Kit |
| 9 | 105-4572 | 1 | Servo Piston ASM |
| 10 | 94-3032 | 1 | Follower-Piston |
| 11 | 105-9853 | 1 | Plate-Cover |
| 18 | 94-3026 | 1 | Camplate ASM |
| 19 | 76-6950 | 2 | Race-Thrust |
| 20 | 76-6960 | 1 | Bearing-Thrust |
| 21 | 105-2857 | 1 | Valve-Relief |
| 21:1 | | 1 | Seal-Dust |

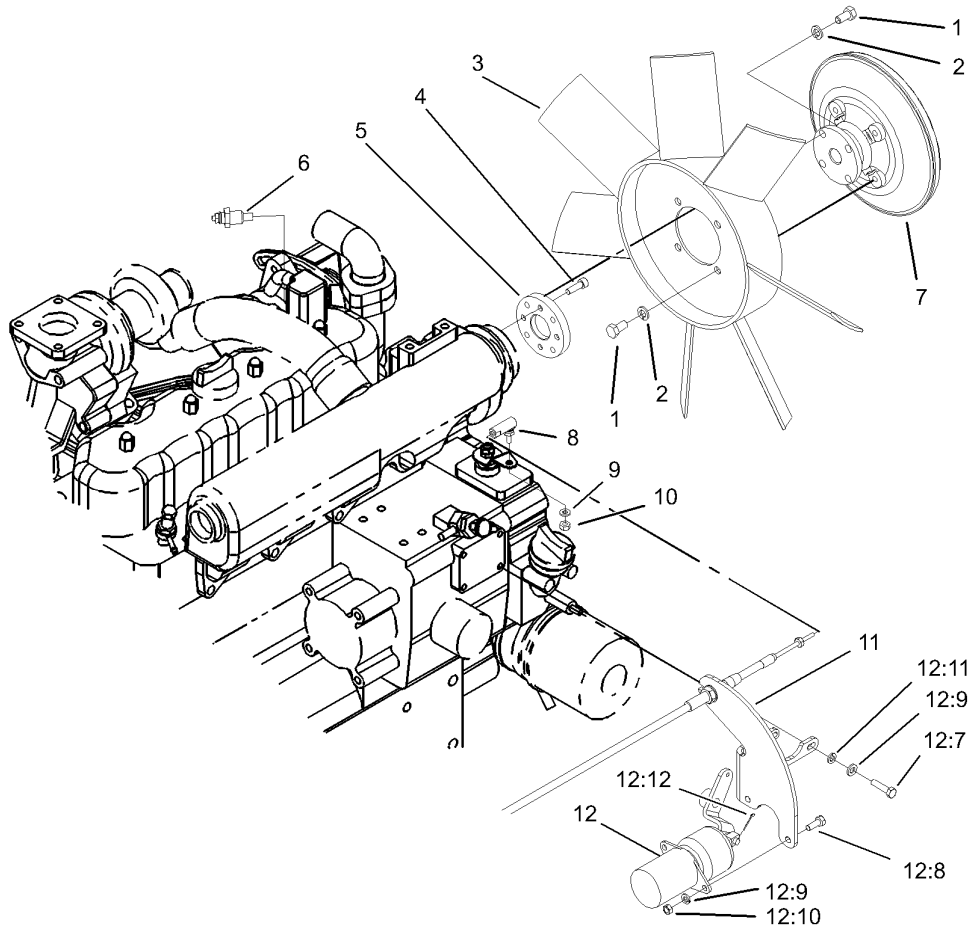
| Ref | Part No. | Qty. | Description |
|------|----------|------|---------------|
| 22 | 105-2857 | 1 | Valve-Relief |
| 22:1 | | 1 | Seal-Dust |
| 23 | 323-45 | 4 | Screw-HH |
| 26 | 3274-59 | 6 | Screw-HSH |
| 27 | 105-9854 | 1 | Plate-Valve |
| 28 | 105-9855 | 1 | Housing ASM |
| 28:1 | | 1 | Bearing |
| 28:2 | | 2 | Seal ASM |
| 28:3 | | 2 | Dowel-Bushing |
| 28:4 | | 1 | Cradle ASM |
| 28:5 | | 2 | Screw |
| 28:6 | | 1 | Screw |
| 28:7 | | 1 | Bushing |
| 28:8 | | 1 | Seal-Dust |
| 28:9 | | 1 | Plug |
| 29 | 105-9856 | 1 | Backplate ASM |
| 29:1 | | 1 | Bearing |
| 29:2 | | 1 | Pin-Roll |
| 31 | 105-2861 | 1 | Shaft-Drive |
| 34 | 3217-5 | 1 | Nut-Hex |
| 36 | 3253-3 | 1 | Washer-Lock |
| 37 | 60-6240 | 1 | Washer |
| 47 | 94-3031 | 1 | Arm-Control |
| 48 | 93-6306 | 1 | Control ASM |



Radiator Assembly

| Ref | Part No. | Qty. | Description |
|------|-------------|------|---------------------|
| 1 | 104-3796 | 2 | Fitting-HYD, 90 DEG |
| 1:1 | 237-81 | 1 | O-Ring |
| 1:2 | 340-65 | 1 | O-Ring |
| 2 | 108-4008 | 1 | Cooler-Oil |
| 3 | 32128-49 | 4 | Nut-HHF |
| 4 | 105-3994 | 1 | Bracket-Radiator |
| 4:2 | 93-7272 | 1 | Decal-Warning |
| 5 | 104-2223 | 1 | Seal-Bulb |
| 6 | 100-5550 | 1 | Hose-Cleaner, Air |
| 7 | 105-3934-03 | 1 | Bracket-Seal, Hood |
| 8 | 107-0244 | 1 | Radiator |
| 9 | 71-3370 | 2 | Hose |
| 10 | 92-2379 | 3 | Clamp-Hose |
| 11 | 93-5957 | 1 | Cap-Radiator |
| 12 | 99-5428 | 1 | Shroud-Radiator |
| 13 | 2412-111 | 4 | Clamp |
| 14 | 100-5547 | 2 | Hose-Radiator |
| 15 | 104-8300 | 19 | Nut-Flange, NI |
| 16 | 100-5505-03 | 1 | Bracket-Tank |
| 17 | 99-2900 | 4 | Washer-Flat |
| 18 | 3234-7 | 9 | Screw-HHF |
| 19 | 104-2276 | 1 | Reservoir-Coolant |
| 19:1 | 87-7050 | 1 | Cap-Reservoir |
| 21 | 3234-11 | 4 | Screw-HHF |

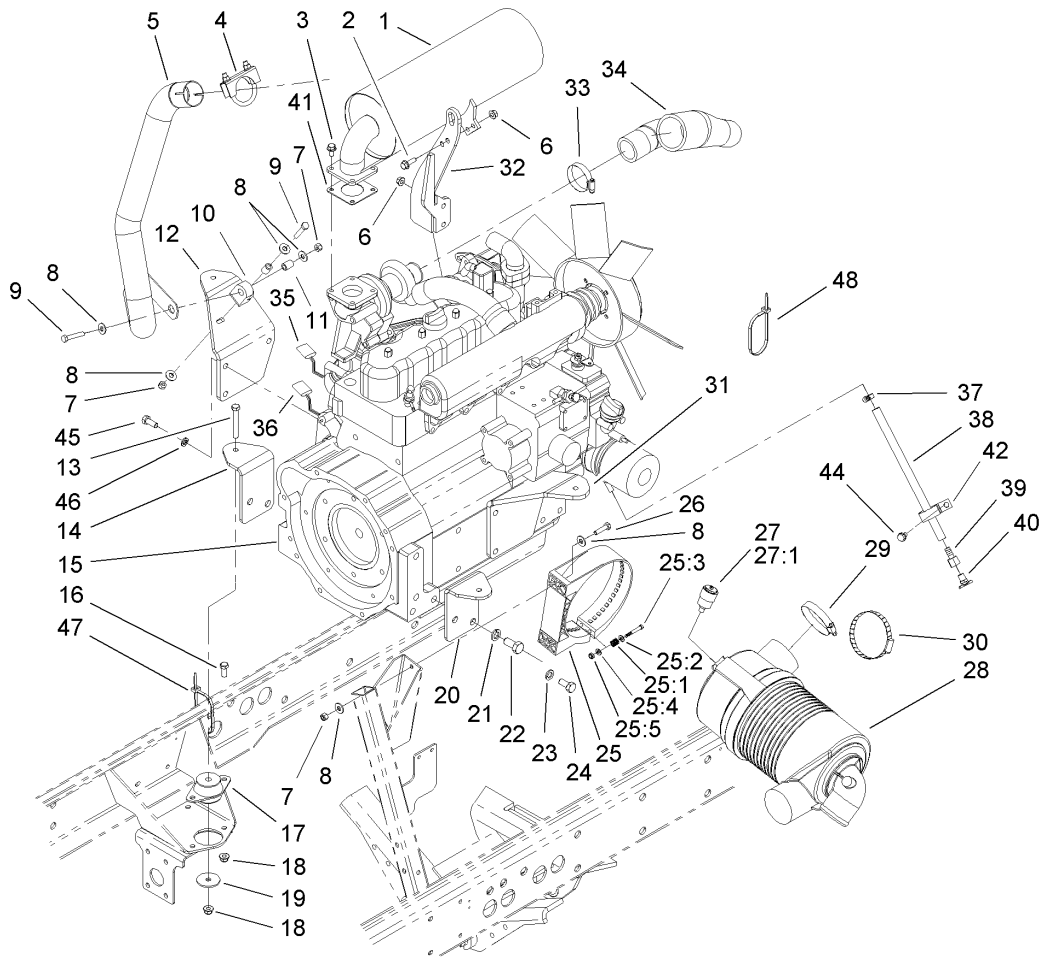
| Ref | Part No. | Qty. | Description |
|-----|-------------|------|-------------------------|
| 22 | 32128-43 | 4 | Nut-Flange |
| 24 | 104-5426-03 | 1 | Cover-Bottom |
| 25 | 3234-17 | 4 | Screw-HHF |
| 26 | 94-5780 | 2 | Screw-HWH |
| 27 | 93-6981 | 2 | Spacer |
| 30 | 104-5460-03 | 2 | Plate-Mount, Oil Cooler |
| 31 | 105-3943 | 16 | Clamp-Cooler, Oil |
| 32 | 3256-23 | 12 | Washer-Flat |
| 33 | 322-10 | 6 | Screw-HH |
| 34 | 104-5429 | 2 | Clamp-Form, Wire |
| 35 | 325-17 | 2 | Screw-HH |
| 36 | 41-8440 | 4 | Washer |
| 37 | 104-5428-03 | 1 | Bracket-Oil Cooler, Top |
| 38 | 93-7275 | 1 | Decal-Fluid, Starting |
| 39 | 105-9233 | 1 | Seal-Foam |
| 40 | 105-9236 | 2 | Seal-Foam |
| 41 | 105-9814 | 1 | Seal-Bulb |
| 42 | 105-9858 | 1 | Seal-Bulb |
| 43 | 106-6755 | 1 | Decal-Cap, Radiator |
| 44 | 2412-81 | 2 | Clamp-R |
| 45 | 3234-28 | 2 | Screw-HHF |
| 46 | 104-1156 | 2 | Spacer |
| 47 | 108-4019-03 | 1 | Bracket-Cooler, Oil |
| 48 | 322-11 | 2 | Screw-HH |



Fan and Solenoid Assembly

| Ref | Part No. | Qty. | Description |
|-------|-------------|------|--------------------|
| 1 | 322-2 | 8 | Screw-HH |
| 2 | 3253-4 | 8 | Washer-Lock |
| 3 | 105-0750 | 1 | Fan |
| 4 | 52-6290 | 4 | Screw-HSH |
| 5 | 100-3066 | 1 | Adapter-Fan |
| 6 | 98-9346 | 1 | Sender-Temperature |
| 7 | 104-2212 | 1 | Clutch-Fan |
| 8 | 2411-38 | 1 | Joint-Ball |
| 9 | 3256-51 | 1 | Washer-Flat |
| 10 | 3296-21 | 1 | Nut-Lock, NI |
| 11 | 104-7540-03 | 1 | Support-Cable |
| 12 | 98-3817 | 1 | Solenoid Kit |
| 12:7 | 33113-025 | 3 | Screw-HH |
| 12:8 | 33113-016 | 2 | Screw-HH |
| 12:9 | 48-8020 | 5 | Washer-Spring |
| 12:10 | 33013-00 | 2 | Nut-Hex |
| 12:11 | 33093-00 | 3 | Washer-Flat |
| 12:12 | 3272-2 | 1 | Pin-Cotter |

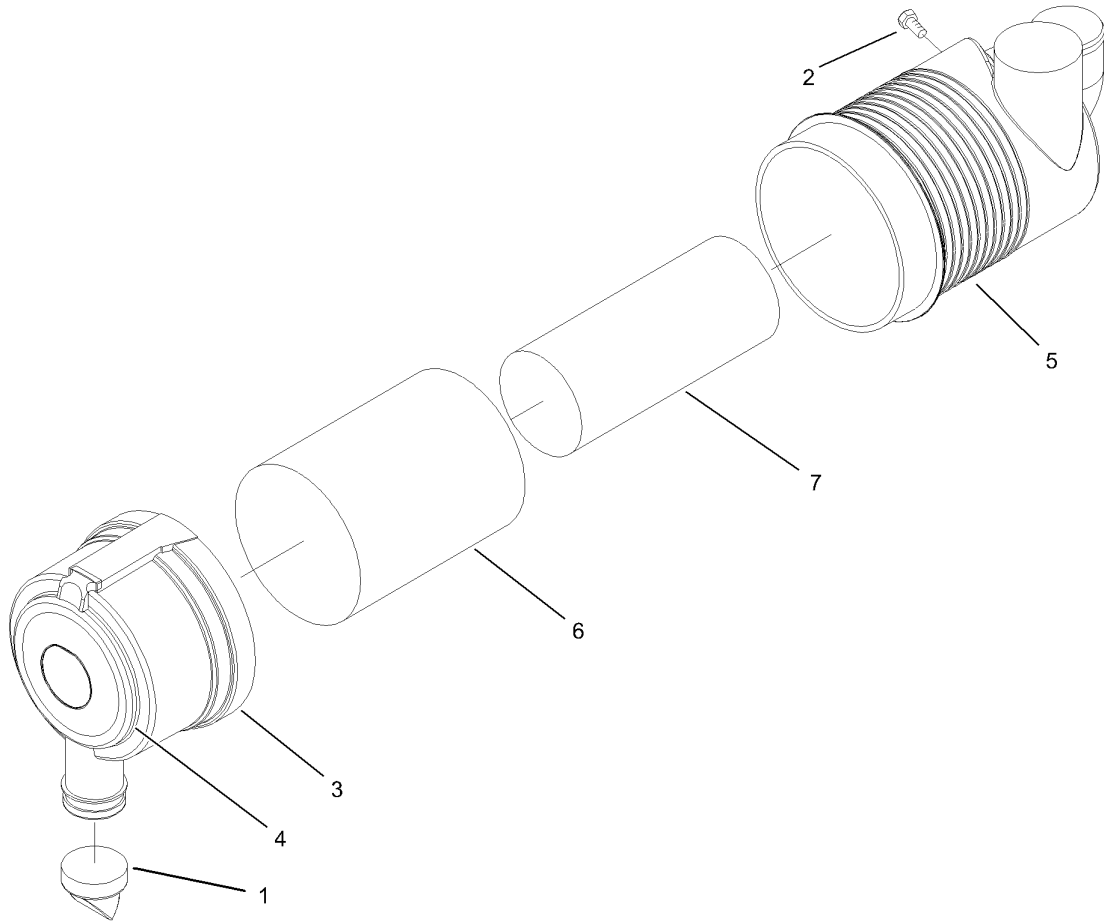
| | | | |
|--|--|--|--|
| | | | |
|--|--|--|--|



Engine Installation Assembly

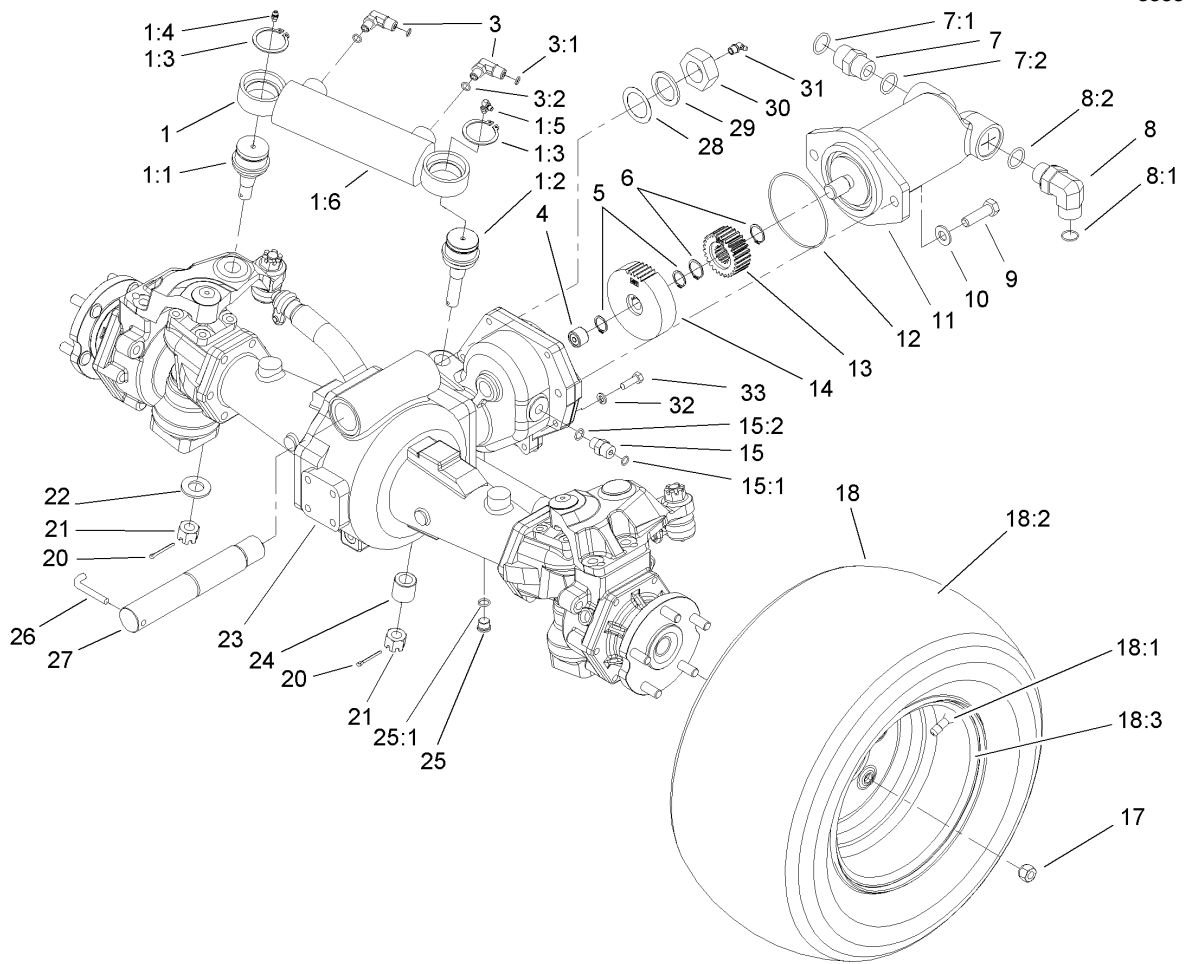
| Ref | Part No. | Qty. | Description |
|-----|-------------|------|------------------------|
| 1 | 99-5424 | 1 | Muffler-Turbo |
| 2 | 33104-025 | 2 | Screw-HHF |
| 3 | 33104-016 | 4 | Screw-HHF |
| 4 | 18-2130 | 1 | Clamp ASM |
| 5 | 104-5461 | 1 | Pipe-Exhaust |
| 6 | 33004-00 | 4 | Nut-HF |
| 7 | 3296-29 | 4 | Nut-Lock, NI |
| 8 | 3256-3 | 8 | Washer-Flat |
| 9 | 322-9 | 2 | Screw-HH |
| 10 | 95-5622 | 1 | Hanger-Rubber |
| 11 | 93-5023 | 2 | Spacer |
| 12 | 106-2048-03 | 1 | Mount-Engine, RH |
| 13 | 323-13 | 4 | Screw-HH |
| 14 | 100-3148-03 | 1 | Mount-Engine, RH |
| 15 | 107-4302 | 1 | Engine-Turbo, Kubota |
| 16 | 3234-11 | 10 | Screw-HHF |
| 17 | 53-9682 | 4 | Support-Engine, Rubber |
| 18 | 104-8301 | 14 | Nut-Flange, NI |
| 19 | 63-7400 | 4 | Washer-Rebound |
| 20 | 100-3147-03 | 1 | Mount-Engine, LH |
| 21 | 43-5950 | 4 | Washer-Lock, Spring |
| 22 | 43-3210 | 4 | Screw-HH |
| 23 | 48-8070 | 5 | Washer-Lock |
| 24 | 42-9250 | 5 | Bolt |

| Ref | Part No. | Qty. | Description |
|------|-------------|------|----------------------------|
| 25 | 99-5414 | 1 | Strap-Cleaner, Air |
| 25:1 | 108-1512 | 2 | Spring |
| 25:2 | 3256-22 | 2 | Washer-Flat |
| 25:3 | 33113-050 | 2 | Screw-HH |
| 25:4 | 33093-00 | 2 | Washer-Flat |
| 25:5 | 33023-00 | 2 | Nut-Lock |
| 26 | 322-6 | 2 | Screw-HH |
| 27 | 104-3563 | 1 | Indicator |
| 27:1 | 94-1416 | 1 | Indicator Adapter ASM |
| 28 | 99-5410 | 1 | Cleaner-Air |
| 29 | 2412-125 | 1 | Clamp-Hose |
| 30 | 2412-110 | 1 | Clamp-Hose |
| 31 | 106-2049-03 | 1 | Mount-Engine, LH |
| 32 | 99-5421-03 | 1 | Bracket-Mounting |
| 33 | 2412-92 | 1 | Clamp-Hose |
| 34 | 99-5415 | 1 | Hose-Cleaner, Air |
| 35 | 99-3441 | 1 | Harness-Wire, Fusible Link |
| 36 | 105-9869 | 1 | Harness-Wire, Engine |
| 37 | 2412-108 | 2 | Clamp-Worm |
| 38 | 99-7376 | 1 | Hose-Breather |
| 39 | 354-94 | 1 | Fitting-Female, Barbed |
| 40 | 93-5528 | 1 | Fitting-Cock, Drain |
| 41 | 100-9333 | 1 | Gasket-Muffler |
| 42 | 2412-150 | 1 | Clip-J |



Air Cleaner Assembly No. 99-5410

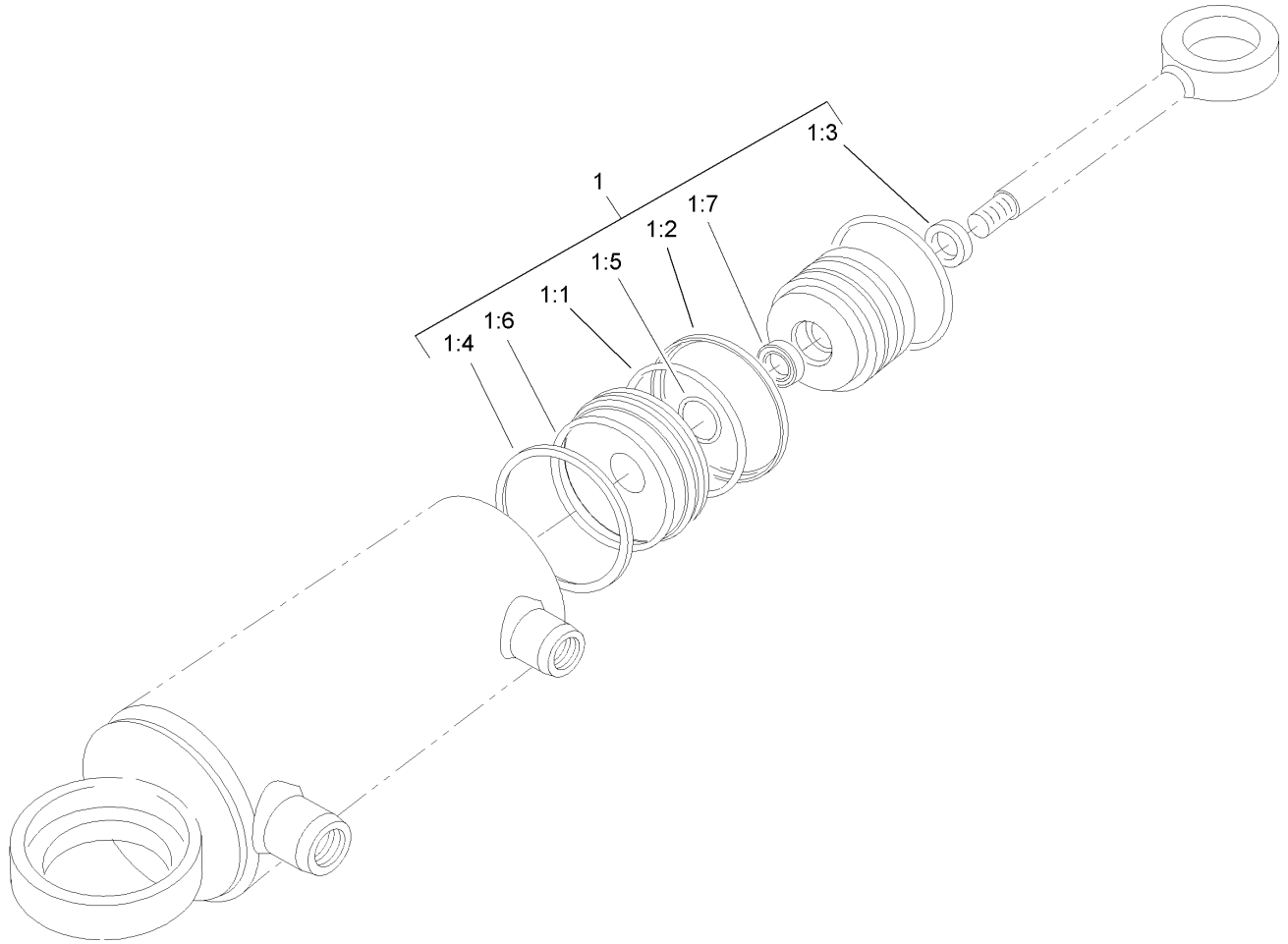
| Ref | Part No. | Qty. | Description | |
|-----|----------|------|----------------|--|
| 1 | 104-4258 | 1 | Valve-Vacuator | |
| 2 | | 1 | Plug-Pipe | |
| 3 | 104-4259 | 1 | Cover ASM | |
| 4 | | 1 | Marking | |
| 5 | | 1 | Body ASM | |
| 6 | 108-3814 | 1 | Filter-Air | |
| 7 | 108-3816 | 1 | Filter-Air | |



Rear Axle Assembly

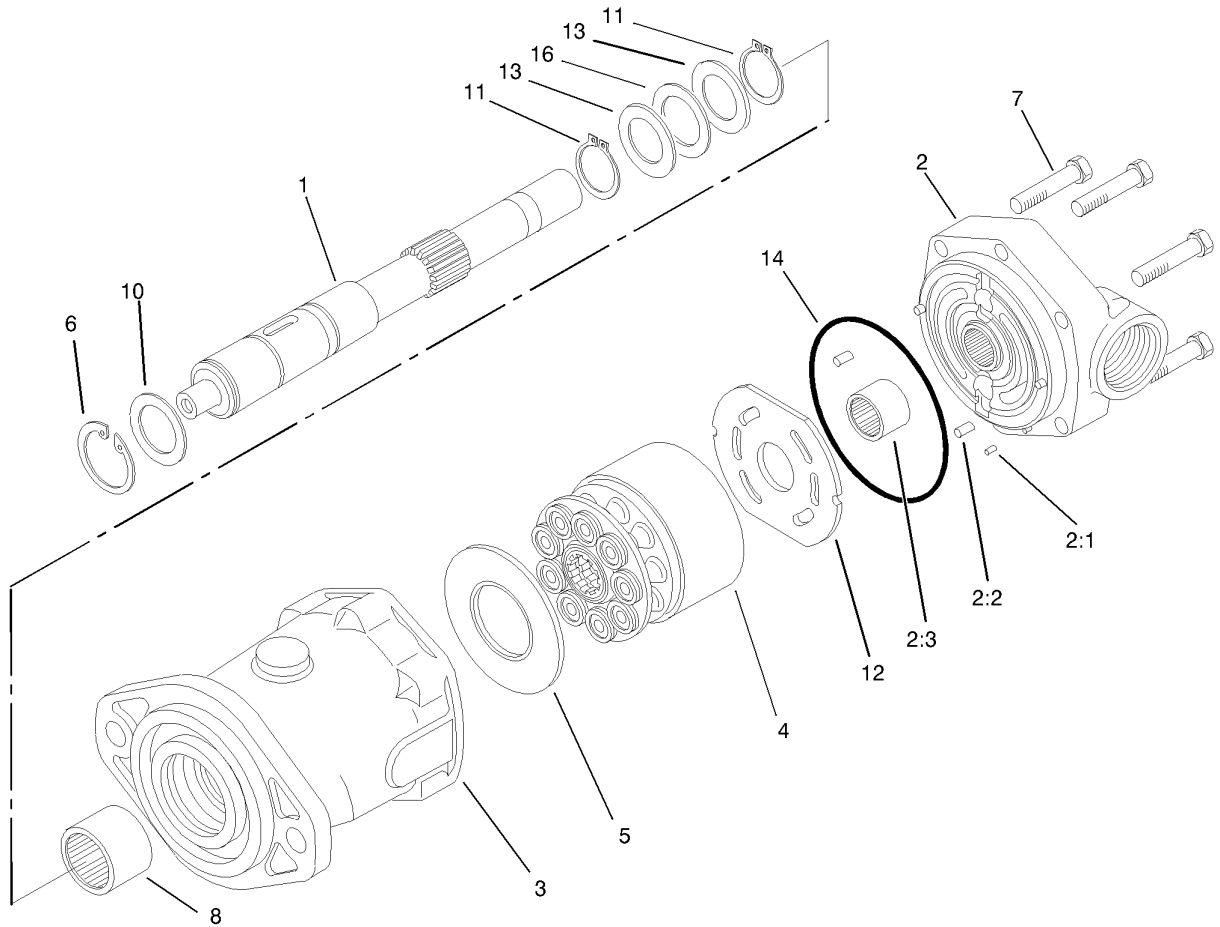
| Ref | Part No. | Qty. | Description |
|-----|-----------|------|--------------------------|
| 1 | 105-9861 | 1 | Steering Cylinder ASM |
| 1:1 | 106-6774 | 1 | Joint-Ball |
| 1:2 | 100-3795 | 1 | Joint-Ball |
| 1:3 | 32151-104 | 2 | Ring-Retaining, External |
| 1:4 | 302-5 | 1 | Fitting-Grease |
| 1:5 | 302-60 | 1 | Fitting-Grease, 90 DEG |
| 1:6 | 107-1976 | 1 | Cylinder-Steering, HYD |
| 3 | 340-97 | 2 | Fitting-HYD, 90 DEG |
| 3:1 | 237-22 | 1 | O-Ring |
| 3:2 | 237-78 | 1 | O-Ring |
| 4 | 74-5700 | 1 | Bearing-Needle, Roller |
| 5 | 32120-15 | 2 | Ring-Snap, EXT |
| 6 | 32120-76 | 2 | Ring-Snap, EXT |
| 7 | 340-9 | 1 | Fitting-Straight |
| 7:1 | 237-58 | 1 | O-Ring |
| 7:2 | 237-81 | 1 | O-Ring |
| 8 | 340-142 | 1 | Fitting-HYD, 90 DEG |
| 8:1 | 237-58 | 1 | O-Ring |
| 8:2 | 237-81 | 1 | O-Ring |
| 9 | 325-7 | 2 | Screw-HH |
| 10 | 3256-26 | 2 | Washer-Flat |
| 11 | 105-1219 | 1 | Motor-Piston |
| 12 | 237-166 | 1 | O-Ring |
| 13 | 104-5663 | 1 | Pinion-28T |

| Ref | Part No. | Qty. | Description |
|------|-----------|------|-----------------------|
| 14 | 104-5664 | 1 | Gear-44T |
| 15 | 340-2 | 1 | Fitting-HYD, Straight |
| 15:1 | 237-22 | 1 | O-Ring |
| 15:2 | 237-42 | 1 | O-Ring |
| 17 | 93-5268 | 10 | Nut-Lug |
| 18 | | 2 | Tire And Wheel ASM |
| 18:1 | 232-27 | 1 | Stem-Valve |
| 18:2 | 104-0451 | 1 | Tire-Turf, Trac |
| 18:3 | 105-9219 | 1 | Wheel |
| 20 | 3272-11 | 2 | Pin-Cotter |
| 21 | 32136-14 | 2 | Nut-SHH |
| 22 | 92-5836 | 1 | Washer |
| 23 | 110-4750 | 1 | Drive Axle ASM |
| 24 | 100-3796 | 1 | Spacer-Joint, Ball |
| 25 | 353-989 | 1 | Plug-Hex, Hollow |
| 25:1 | 237-42 | 1 | O-Ring |
| 26 | 100-3771 | 1 | Pin-Stop |
| 27 | 100-3770 | 1 | Pin-Axle, Pivot |
| 28 | 92-1765 | 1 | Washer-Thrust |
| 29 | 98-3867 | 2 | Washer-Thrust |
| 30 | 3296-68 | 1 | Nut-Lock, NI |
| 31 | 302-33 | 1 | Fitting-Grease |
| 32 | 3253-4 | 6 | Washer-Lock |
| 33 | 33114-025 | 6 | Screw-HH |



Hydraulic Cylinder Assembly No. 107-1976

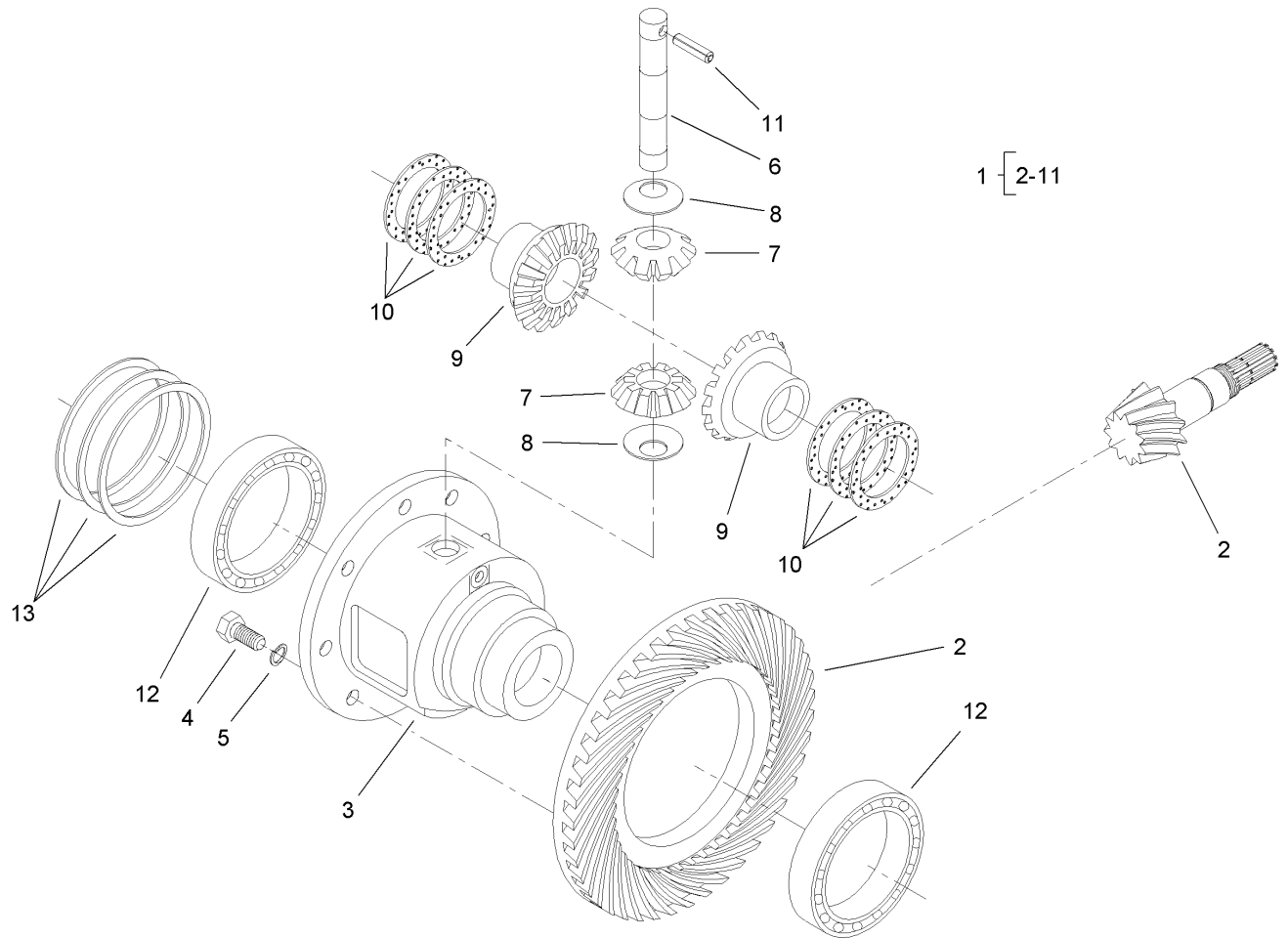
| Ref | Part No. | Qty. | Description |
|------|----------|------|-------------|
| 1 | 107-0245 | 1 | Seal Kit |
| ②1:1 | | 1 | Seal-Dust |
| ②1:2 | | 1 | Back-Up |
| ②1:3 | | 1 | Wiper |
| ②1:4 | | 1 | Seal ASM |
| ②1:5 | | 1 | Seal-Dust |
| ②1:6 | | 1 | Seal-Dust |
| ②1:7 | | 1 | Seal ASM |



Piston Motor Assembly No. 105-1219

| Ref | Part No. | Qty. | Description |
|-----|----------|------|-------------------|
| 1 | 105-2853 | 1 | Shaft-Drive |
| 2 | 100-2551 | 1 | Backplate |
| 2:1 | | 3 | Pin-Dowel |
| 2:2 | | 1 | Pin-Dowel |
| 2:3 | | 1 | Bearing-Needle |
| 2:3 | | 1 | Housing |
| 4 | 76-6910 | 1 | Rotating Kit |
| 5 | 76-6970 | 1 | Insert-Plate, Cam |
| 6 | 60-6260 | 1 | Ring |
| 7 | 94-3002 | 6 | Capscrew |
| 8 | 63-4390 | 1 | Bearing-Needle |
| 10 | 76-7020 | 1 | Spacer |
| 11 | 76-7000 | 2 | Ring-Retaining |
| 12 | 94-3003 | 1 | Plate-Valve |
| 13 | 76-6950 | 2 | Race-Thrust |
| 14 | 76-6980 | 1 | O-Ring |
| 16 | 76-6960 | 1 | Bearing-Thrust |

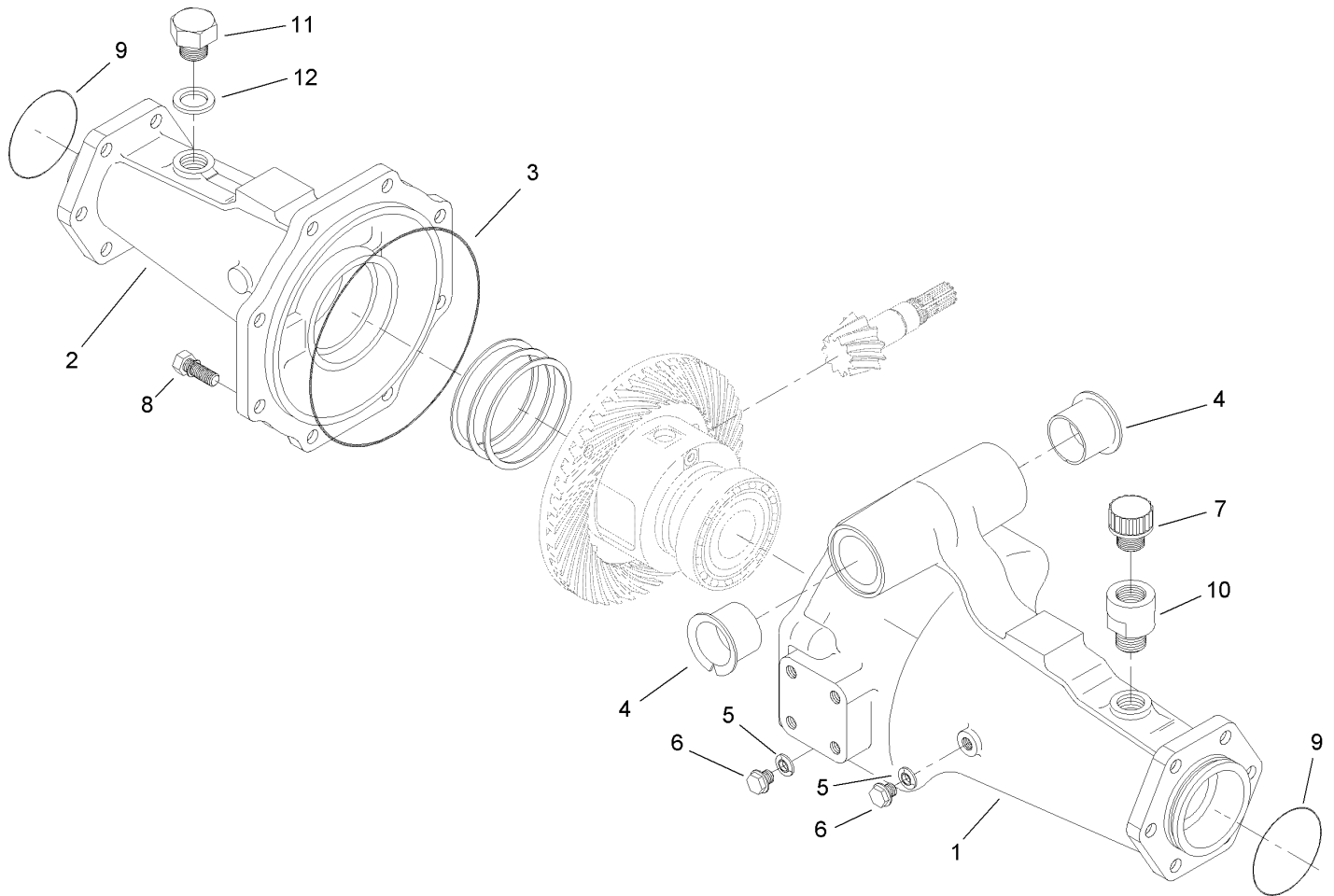
| | | | |
|--|--|--|--|
| | | | |
| | | | |
| | | | |
| | | | |



Differential Assembly Rear Axle Assembly No. 110-4750

| Ref | Part No. | Qty. | Description |
|-----|----------|------|-----------------------------|
| 1 | 95-7503 | 1 | Differential ASM |
| 2 | 100-2555 | 1 | Ring And Pinion Matched Set |
| 3 | 95-7502 | 1 | Case-Differential |
| 4 | 99-7576 | 8 | Bolt |
| 5 | 3253-4 | 8 | Washer-Lock |
| 6 | 99-7578 | 1 | Shaft-Differential |
| 7 | 99-7579 | 2 | Pinion-Differential |
| 8 | 99-7580 | 2 | Washer-Differential |
| 9 | 99-7581 | 2 | Gear-Differential |
| 10 | 99-7582 | 2 | Washer-Differential |
| 10 | 99-7583 | 2 | Washer-Differential |
| 10 | 99-7584 | 2 | Washer-Differential |
| 11 | 99-7588 | 1 | Pin-Spring |
| 12 | 99-7562 | 2 | Bearing-Ball |
| 13 | 99-7585 | 2 | Shim 0.1 |
| 13 | 99-7586 | 2 | Shim 0.2 |
| 13 | 99-7587 | 2 | Shim 0.4 |

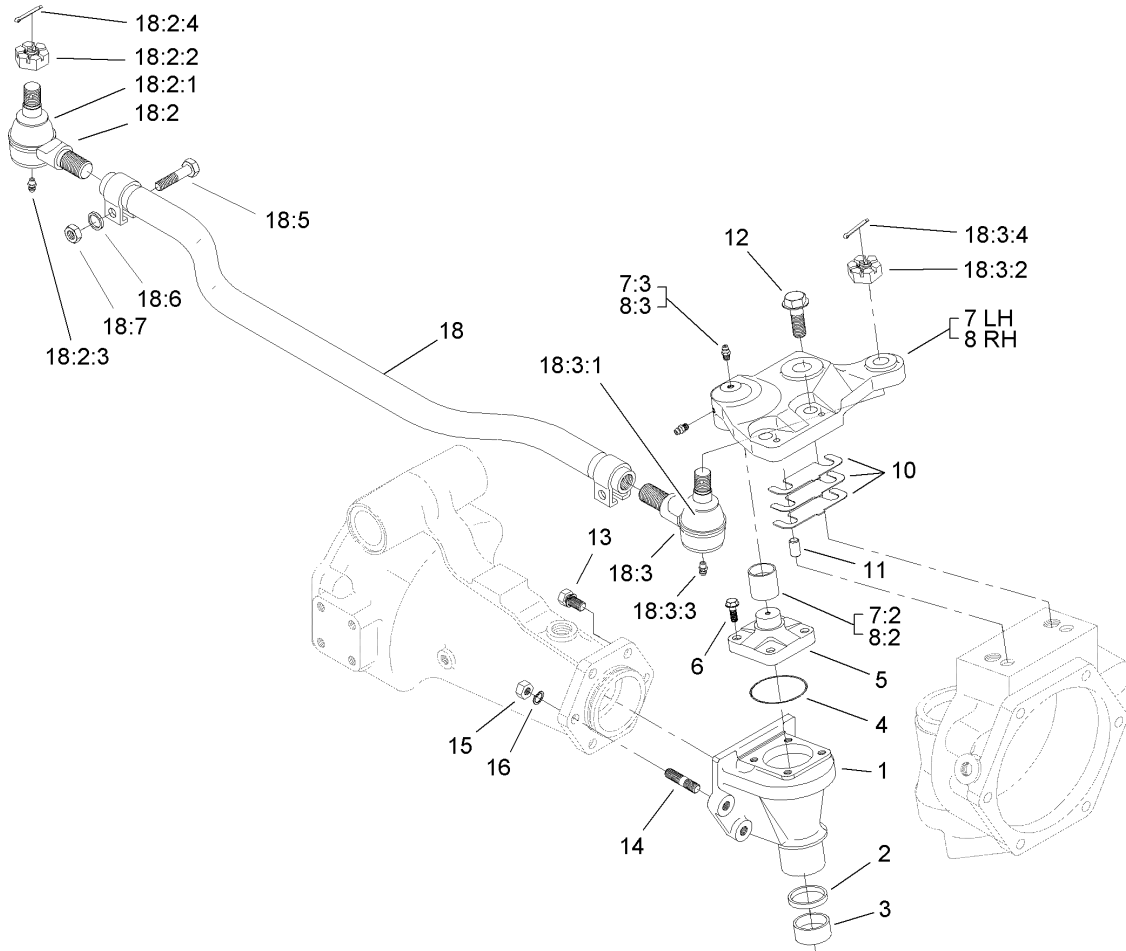
| Ref | Part No. | Qty. | Description |
|-----|----------|------|-------------|
| | | | |
| | | | |
| | | | |
| | | | |



Axle Support Assembly Rear Axle Assembly No. 110-4750

| Ref | Part No. | Qty. | Description |
|-----|----------|------|-----------------|
| 1 | 95-7508 | 1 | Support-Axle |
| 2 | 95-7506 | 1 | Support-Axle |
| 3 | 106-1067 | 1 | O-Ring |
| 4 | 95-7537 | 2 | Bushing-Flanged |
| 5 | 99-7590 | 2 | Washer-Seal |
| 6 | 99-7589 | 2 | Plug |
| 7 | 99-7591 | 1 | Oil Plug ASM |
| 8 | 99-7592 | 8 | Bolt |
| 9 | 106-1068 | 2 | O-Ring |
| 10 | 104-2377 | 1 | Extension-Vent |
| 11 | 104-8643 | 1 | Plug |
| 12 | 104-8644 | 1 | O-Ring |

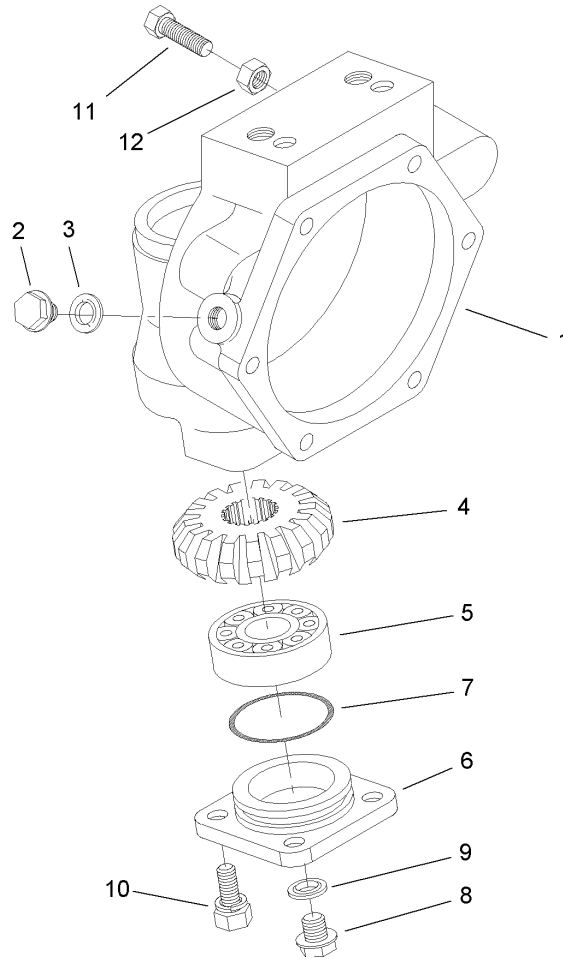
| | | | |
|--|--|--|--|
| | | | |
| | | | |
| | | | |
| | | | |
| | | | |



Bevel Gear Case Assembly Rear Axle Assembly No. 110-4750

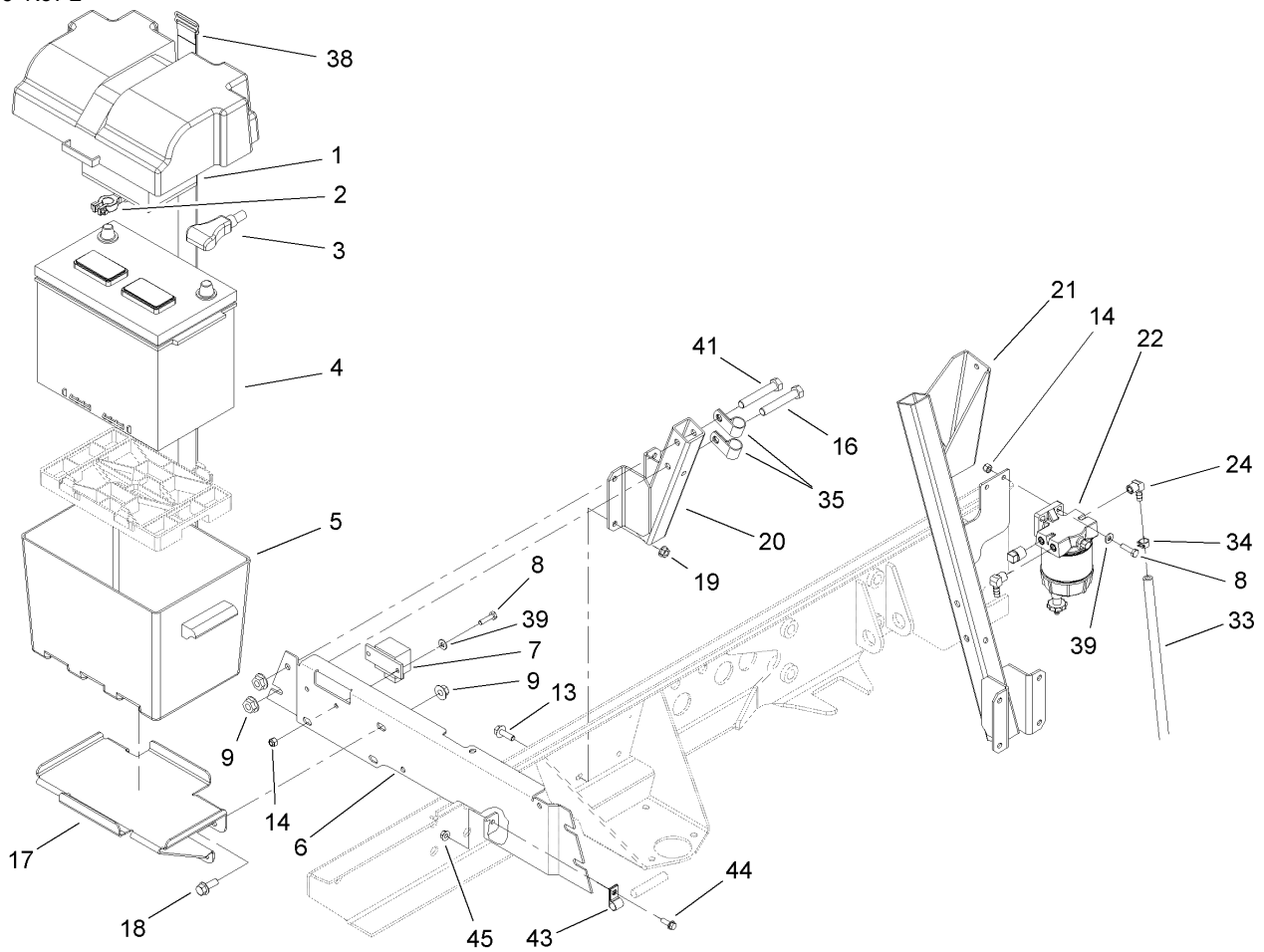
| Ref | Part No. | Qty. | Description |
|--------|----------|------|-----------------------------|
| 1 | 110-4752 | 2 | Case-Gear, Bevel |
| 2 | 110-4754 | 2 | Seal-Oil |
| 3 | 104-2378 | 2 | Bushing |
| 4 | 106-1069 | 2 | O-Ring |
| 5 | 104-2373 | 2 | Knuckle |
| 6 | 104-2374 | 8 | Bolt |
| 7 | 100-3768 | 1 | LH Steering Arm ASM |
| 7:2 | 104-8634 | 1 | Bushing |
| 7:3 | 106-1104 | 2 | Fitting-Grease |
| 8 | 100-3766 | 1 | RH Steering Arm ASM |
| 8:2 | 104-8634 | 1 | Bushing |
| 8:3 | 106-1104 | 2 | Fitting-Grease |
| 10 | 95-7547 | 2 | Shim 0.1 |
| 10 | 95-7548 | 2 | Shim 0.2 |
| 10 | 95-7549 | 2 | Shim 0.3 |
| 11 | 99-7597 | 4 | Pin-Dowel |
| 12 | 104-2375 | 4 | Bolt |
| 13 | 99-7599 | 8 | Bolt |
| 14 | 99-7525 | 4 | Stud |
| 15 | 99-7526 | 4 | Nut |
| 16 | 99-7527 | 4 | Washer-Spring |
| 18 | 106-1111 | 1 | Steering Tie Rod ASM |
| 18:2 | 106-1113 | 1 | Tie Rod End ASM - RH Thread |
| 18:2:1 | 100-3853 | 1 | Cover-Dust |

| Ref | Part No. | Qty. | Description |
|--------|----------|------|-----------------------------|
| 18:2:2 | 100-3854 | 1 | Nut-Castle |
| 18:2:3 | 106-1104 | 1 | Fitting-Grease |
| 18:2:4 | 3272-11 | 1 | Pin-Cotter |
| 18:3 | 106-1112 | 1 | Tie Rod End ASM - LH Thread |
| 18:3:1 | 100-3853 | 1 | Cover-Dust |
| 18:3:2 | 100-3854 | 1 | Nut-Castle |
| 18:3:3 | 106-1104 | 1 | Fitting-Grease |
| 18:3:4 | 3272-11 | 1 | Pin-Cotter |
| 18:5 | 100-3855 | 2 | Bolt |
| 18:6 | 99-7527 | 2 | Washer-Spring |
| 18:7 | 99-7526 | 2 | Nut |



Axle Case Assembly Rear Axle Assembly No. 110-4750

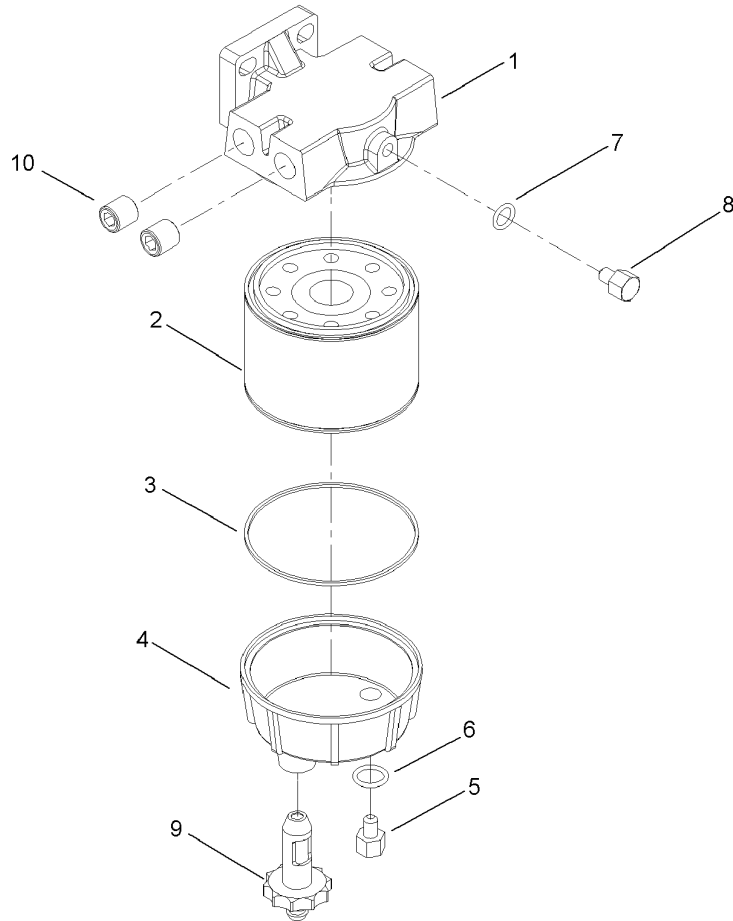
| Ref | Part No. | Qty. | Description |
|-----|----------|------|-----------------------|
| 1 | 110-4751 | 2 | Case-Axle |
| 2 | 99-7535 | 2 | Plug |
| 3 | 99-7536 | 2 | Washer-Seal |
| 4 | 95-7527 | 2 | Gear-Bevel, 17 Tooth |
| 5 | 99-7532 | 2 | Bearing-Roller, Taper |
| 6 | 100-2560 | 2 | Cover |
| 7 | 106-1070 | 2 | O-Ring |
| 8 | 99-7589 | 2 | Plug |
| 9 | 99-7590 | 2 | Washer-Seal |
| 10 | 100-2562 | 8 | Bolt |
| 11 | 106-1102 | 2 | Bolt-Stop |
| 12 | 106-1103 | 2 | Nut |



Battery Installation Assembly

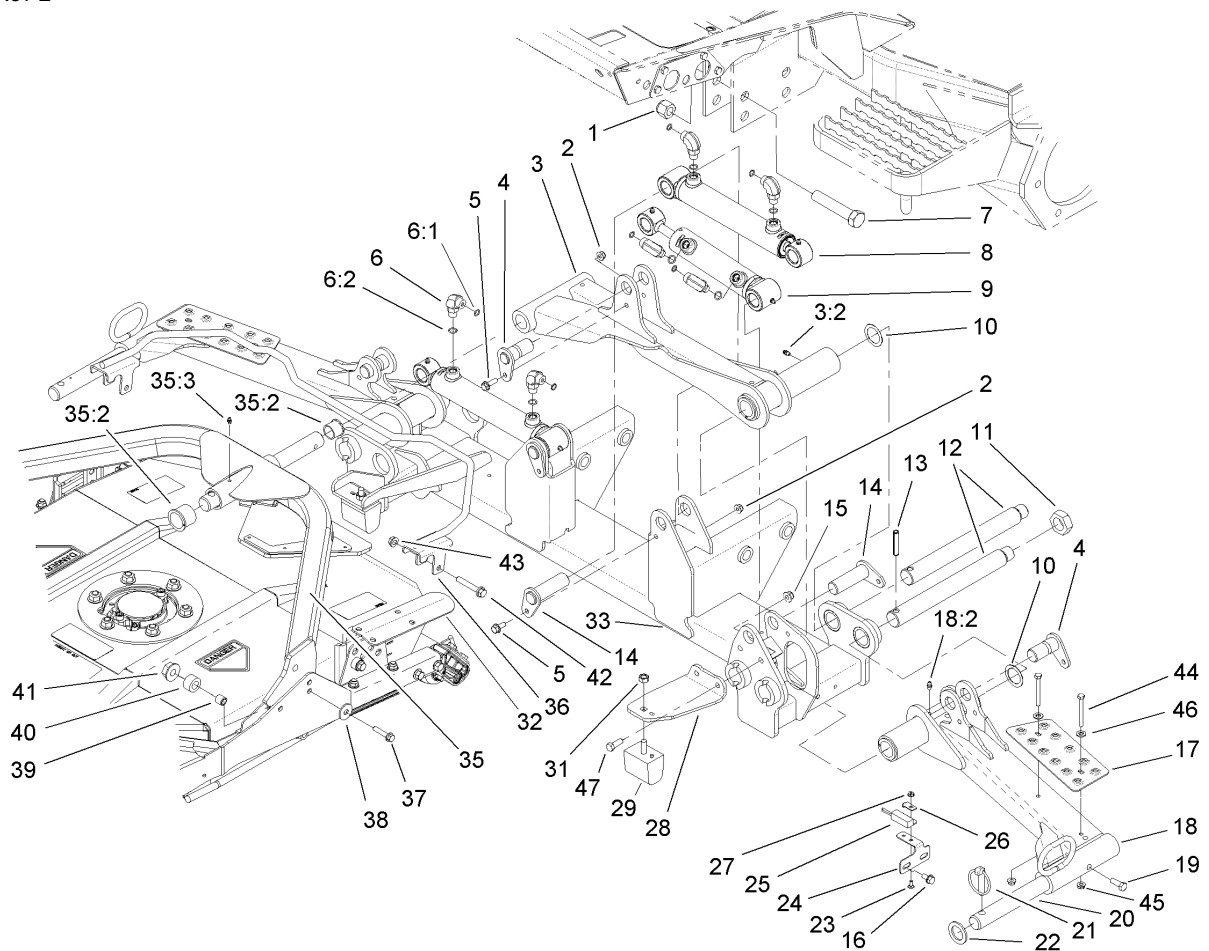
| Ref | Part No. | Qty. | Description |
|-----|-------------|------|--------------------------|
| 1 | 93-7968 | 1 | Pad-Foam |
| 2 | 105-3880 | 1 | Cable-Battery, Negative |
| 3 | 105-0114 | 1 | Cable-Battery, Positive |
| 4 | 106-5190 | 1 | Battery |
| 5 | 93-7595 | 1 | Battery Box ASM |
| 6 | 104-5422-03 | 1 | Bracket-Support, Battery |
| 7 | 66-8800 | 1 | Relay |
| 8 | 321-6 | 4 | Screw-HH |
| 9 | 32128-21 | 6 | Nut-HF |
| 13 | 3234-29 | 8 | Screw-HHF |
| 14 | 3296-42 | 4 | Nut-Lock, NI |
| 16 | 323-10 | 3 | Screw-HH |
| 17 | 104-5423-03 | 1 | Tray-Battery |
| 18 | 3234-11 | 2 | Screw-HHF |
| 19 | 32128-20 | 8 | Nut-HF |
| 20 | 104-5420-03 | 1 | Battery Support ASM |
| 21 | 104-5417-03 | 1 | Bracket-Conditioner, Air |
| 22 | 98-9305 | 1 | Water / Fuel Filter ASM |
| 24 | 353-781 | 2 | Fitting-Elbow |
| 33 | 63-7627 | 1 | Hose-Fuel |
| 34 | 92-2379 | 3 | Clamp-Hose |
| 35 | 2412-81 | 2 | Clamp-R |
| 38 | 94-1445 | 1 | Strap-Battery |
| 39 | 3256-22 | 4 | Washer-Flat |

| Ref | Part No. | Qty. | Description |
|-----|----------|------|-------------|
| 41 | 323-12 | 1 | Screw-HH |
| 43 | 2412-93 | 1 | Clamp-R |
| 44 | 3234-4 | 1 | Screw-HHF |
| 45 | 32128-33 | 1 | Nut-HF |



Water / Fuel Filter Assembly No. 98-9305

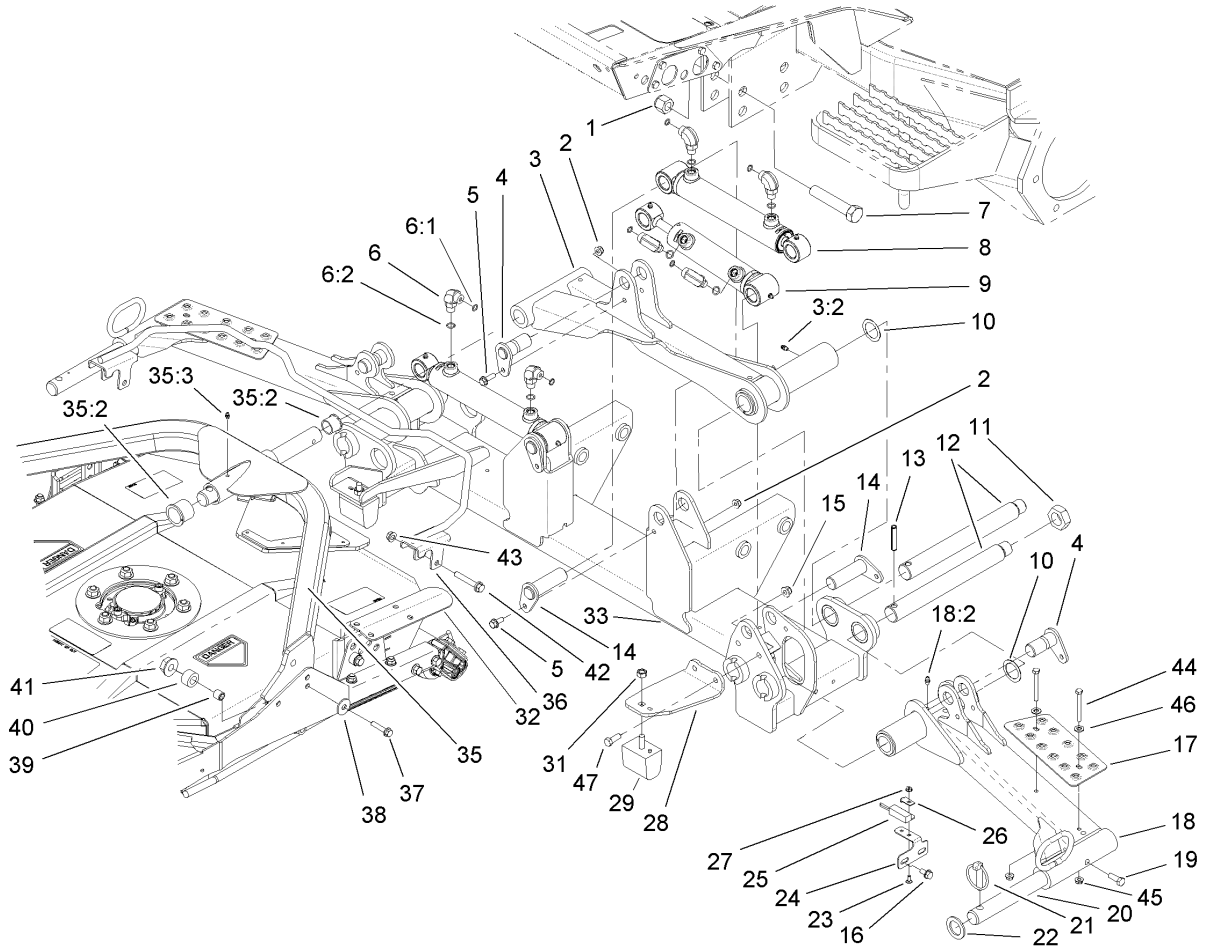
| Ref | Part No. | Qty. | Description | |
|-----|----------|------|-------------------|--|
| 1 | 98-9772 | 1 | Head-Filter | |
| 2 | 98-9764 | 1 | Element | |
| 3 | 98-9774 | 1 | O-Ring | |
| 4 | 98-9775 | 1 | Base-Filter | |
| 5 | 98-9773 | 1 | Plug-Base, Filter | |
| 6 | 237-42 | 1 | O-Ring | |
| 7 | 237-78 | 1 | O-Ring | |
| 8 | 98-9776 | 1 | Plug-Head, Filter | |
| 9 | 98-9777 | 1 | Drain Valve ASM | |
| 10 | 285-22 | 2 | Plug-Pipe | |



Front Lift Arm Assembly

| Ref | Part No. | Qty. | Description |
|------|-------------|------|------------------------|
| 1 | 3296-51 | 4 | Nut-Lock, NI |
| 2 | 104-8300 | 6 | Nut-Flange, NI |
| 3 | 108-4032 | 1 | No. 1 Liftarm ASM |
| 3:2 | 302-60 | 1 | Fitting-Grease, 90 DEG |
| 4 | 104-5525 | 3 | Cylinder Pin ASM |
| 5 | 3234-17 | 6 | Screw-HHF |
| 6 | 340-77 | 6 | Fitting-HYD, 90 DEG |
| 6:1 | 237-22 | 1 | O-Ring |
| 6:2 | 237-42 | 1 | O-Ring |
| 7 | 328-7 | 4 | Screw-HH |
| 8 | 107-1979 | 2 | Cylinder-Lift |
| 9 | 107-1980 | 1 | Cylinder-Lift |
| 10 | 76-2980 | 3 | Washer-Thrust |
| 11 | 3296-49 | 3 | Nut-Lock, NI |
| 12 | 95-7158 | 3 | Pin-Pivot |
| 13 | 32121-110 | 3 | Pin-Roll, Slotted |
| 14 | 105-9889 | 3 | Cylinder Pin ASM |
| 15 | 104-8301 | 2 | Nut-Flange, NI |
| 16 | 32144-14 | 4 | Screw-HWHTF |
| 17 | 105-3987-03 | 2 | Plate-Skid |
| 18 | 108-4034 | 1 | No. 5 Liftarm ASM |
| 18 | 108-4033 | 1 | No. 4 Liftarm ASM |
| 18:2 | 302-5 | 1 | Fitting-Grease |
| 19 | 323-6 | 3 | Screw-HH |

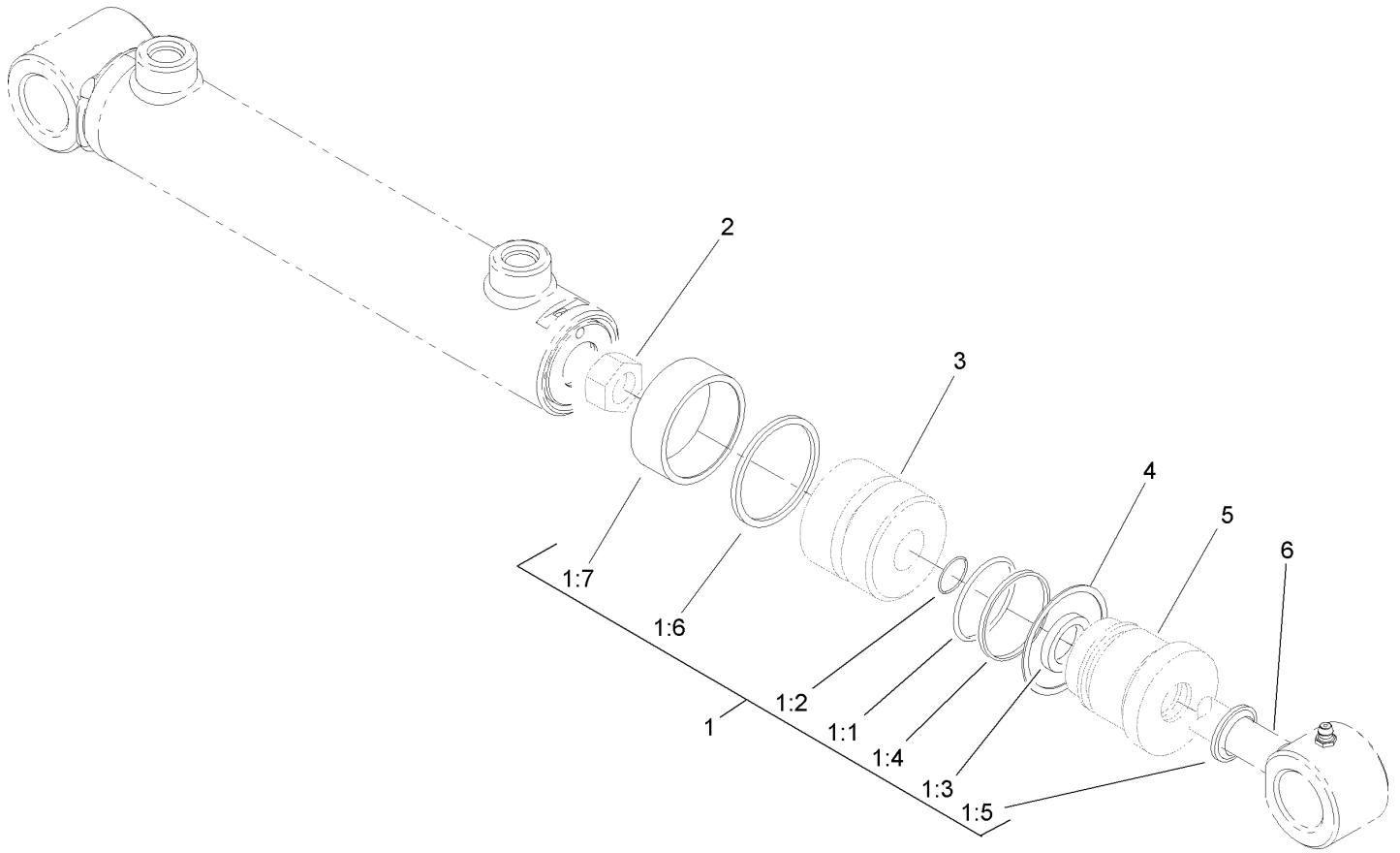
| Ref | Part No. | Qty. | Description |
|------|-------------|------|-------------------------|
| 20 | 108-4023 | 3 | Shaft-Carrier, Pivot |
| 21 | 283-71 | 3 | Pin-Lynch |
| 22 | 3-6781 | 3 | Washer-Thrust |
| 23 | 104-1450 | 2 | Bolt-CARR |
| 24 | 104-5585 | 2 | Bracket-Switch |
| 25 | 100-1270 | 2 | Switch-Proximity |
| 26 | 100-4872 | 2 | Plate-Switch, Neutral |
| 27 | 32149-7 | 2 | Nut-Keps |
| 28 | 104-5689-03 | 1 | Bracket-Support, Bumper |
| 29 | 87-3470 | 2 | Bumper-Axle, Rear |
| 31 | 33025-00 | 2 | Nut-Lock |
| 32 | 105-9831-03 | 2 | Bracket-Bumper, No. 1 |
| 33 | 104-5680-03 | 1 | Front Carrier Frame ASM |
| 35 | 104-5656 | 5 | Carrier Frame ASM |
| 35:2 | 108-4000 | 2 | Bushing |
| 35:3 | 302-5 | 1 | Fitting-Grease |
| 36 | 107-7803-03 | 4 | Foot Guard ASM |
| 37 | 3234-18 | 10 | Screw-HHF |
| 38 | 93-8806 | 10 | Washer-Hardened |
| 39 | 105-9822 | 10 | Spacer |
| 40 | 105-9823 | 10 | Bushing-Carrier |
| 41 | 104-8301 | 10 | Nut-Flange, NI |
| 42 | 100-2592 | 8 | Screw-HHF |
| 43 | 3290-357 | 8 | Nut-HHF, Whiz |



Front Lift Arm Assembly (continued)

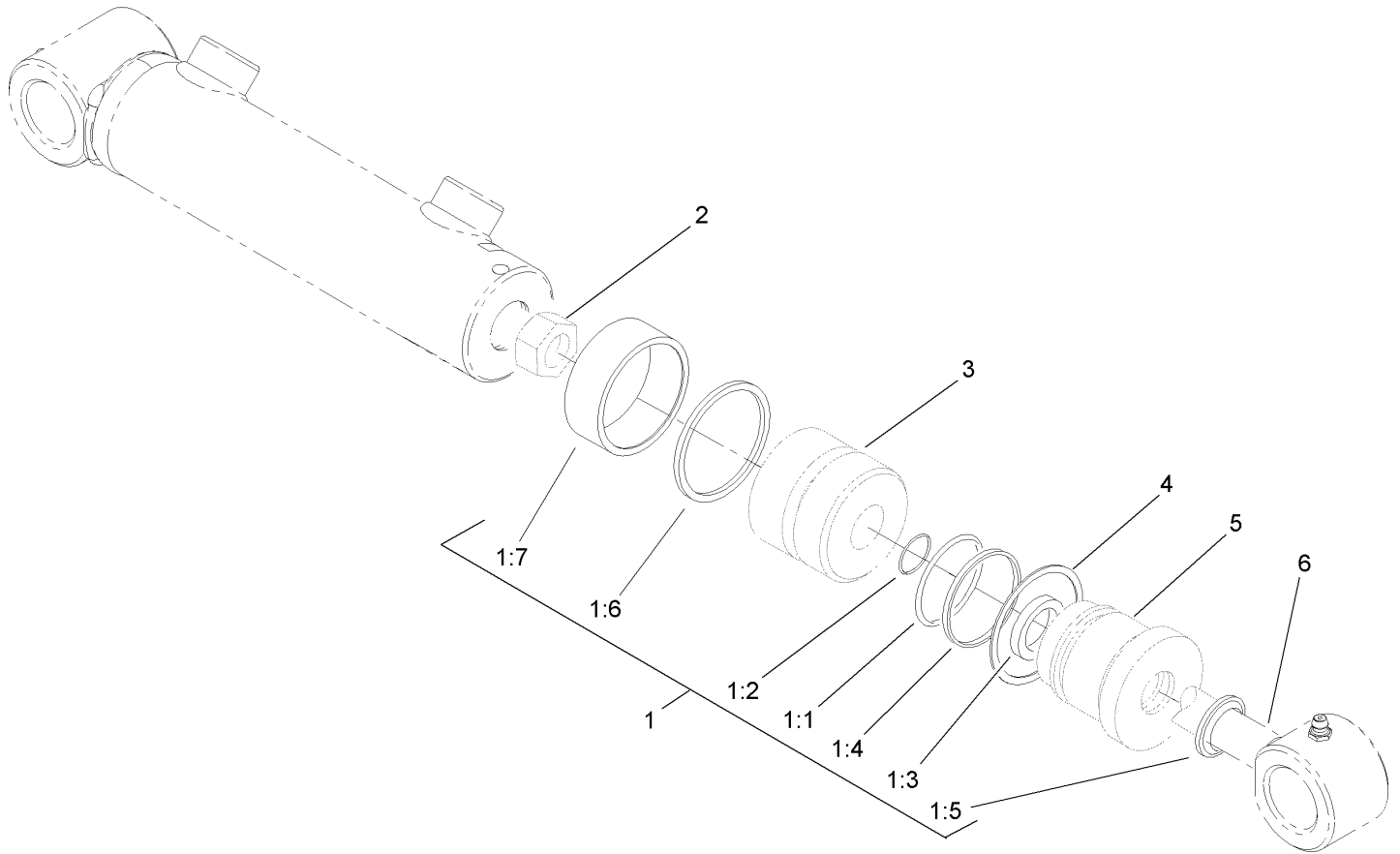
| Ref | Part No. | Qty. | Description |
|-----|----------|------|-------------|
| 44 | 321-15 | 4 | Screw-HH |
| 45 | 32128-33 | 4 | Nut-HF |
| 46 | 3256-23 | 4 | Washer-Flat |
| 47 | 323-7 | 2 | Screw-HH |

| | | | |
|--|--|--|--|
| | | | |
|--|--|--|--|



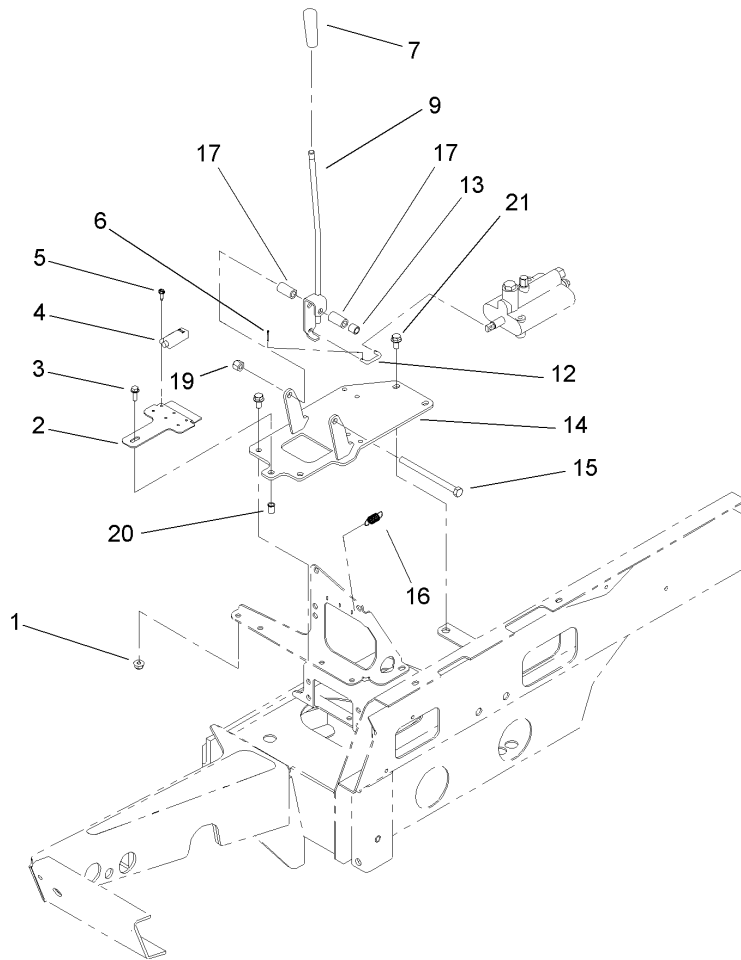
Hydraulic Cylinder Assembly No. 107-1979

| Ref | Part No. | Qty. | Description |
|-----|----------|------|----------------|
| 1 | 107-1977 | 1 | Seal Kit |
| 1:1 | | 1 | Seal-Dust |
| 1:2 | | 1 | Seal-Dust |
| 1:3 | | 1 | Seal ASM |
| 1:4 | | 1 | Back-Up |
| 1:5 | | 1 | Wiper |
| 1:6 | | 1 | Seal W/O-Ring |
| 1:7 | | 1 | Ring-Wear |
| 2 | | 1 | Locknut |
| 3 | | 1 | Piston |
| 4 | | 1 | Ring-Retaining |
| 5 | | 1 | Head |
| 6 | | 1 | Rod ASM |



Hydraulic Cylinder Assembly No. 107-1980

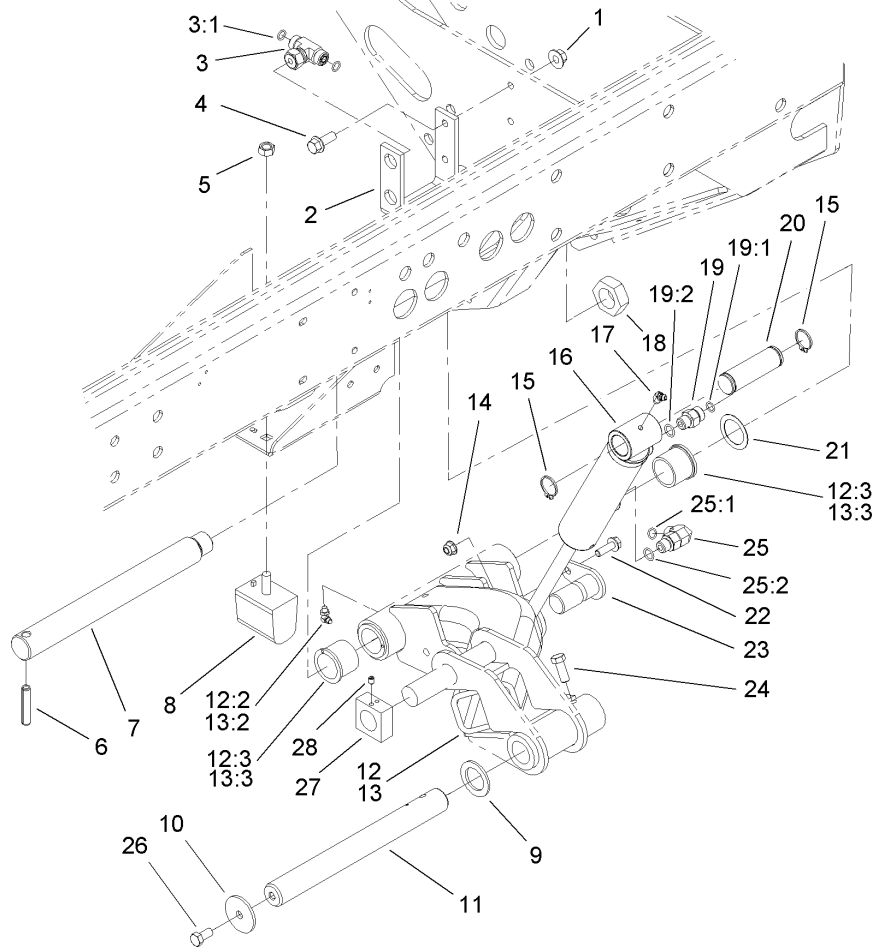
| Ref | Part No. | Qty. | Description |
|------|----------|------|----------------|
| 1 | 107-1977 | 1 | Seal Kit |
| ②1:1 | | 1 | Seal-Dust |
| ②1:2 | | 1 | Seal-Dust |
| ②1:3 | | 1 | Seal ASM |
| ②1:4 | | 1 | Back-Up |
| ②1:5 | | 1 | Wiper |
| ②1:6 | | 1 | Seal W/O-Ring |
| ②1:7 | | 1 | Ring-Wear |
| ②2 | | 1 | Locknut |
| ②3 | | 1 | Piston |
| ②4 | | 1 | Ring-Retaining |
| ②5 | | 1 | Head |
| ②6 | | 1 | Rod ASM |



Lift Lever Assembly

| Ref | Part No. | Qty. | Description |
|-----|-------------|------|-------------------|
| 1 | 104-8300 | 2 | Nut-Flange, NI |
| 2 | 104-5530 | 1 | Plate-Switch |
| 3 | 3234-4 | 1 | Screw-HHF |
| 4 | 105-0023 | 1 | Switch-Proximity |
| 5 | 32144-19 | 2 | Screw-SHWH |
| 6 | 3272-1 | 2 | Pin-Cotter |
| 7 | 233-39 | 1 | Knob-Control |
| 9 | 104-5616 | 1 | Center Lever ASM |
| 12 | 69-9140 | 1 | Link-Lever, Valve |
| 13 | 65-9980 | 1 | Spacer |
| 14 | 104-5606-03 | 1 | Valve Support ASM |
| 15 | 323-39 | 1 | Screw-HH |
| 16 | 105-3938 | 1 | Spring-Extension |
| 17 | 61-2780-03 | 2 | Spacer-Tube |
| 19 | 3296-39 | 1 | Nut-Lock, NI |
| 20 | 32148-6 | 1 | Insert-Nut |
| 21 | 3234-14 | 4 | Screw-HHF |

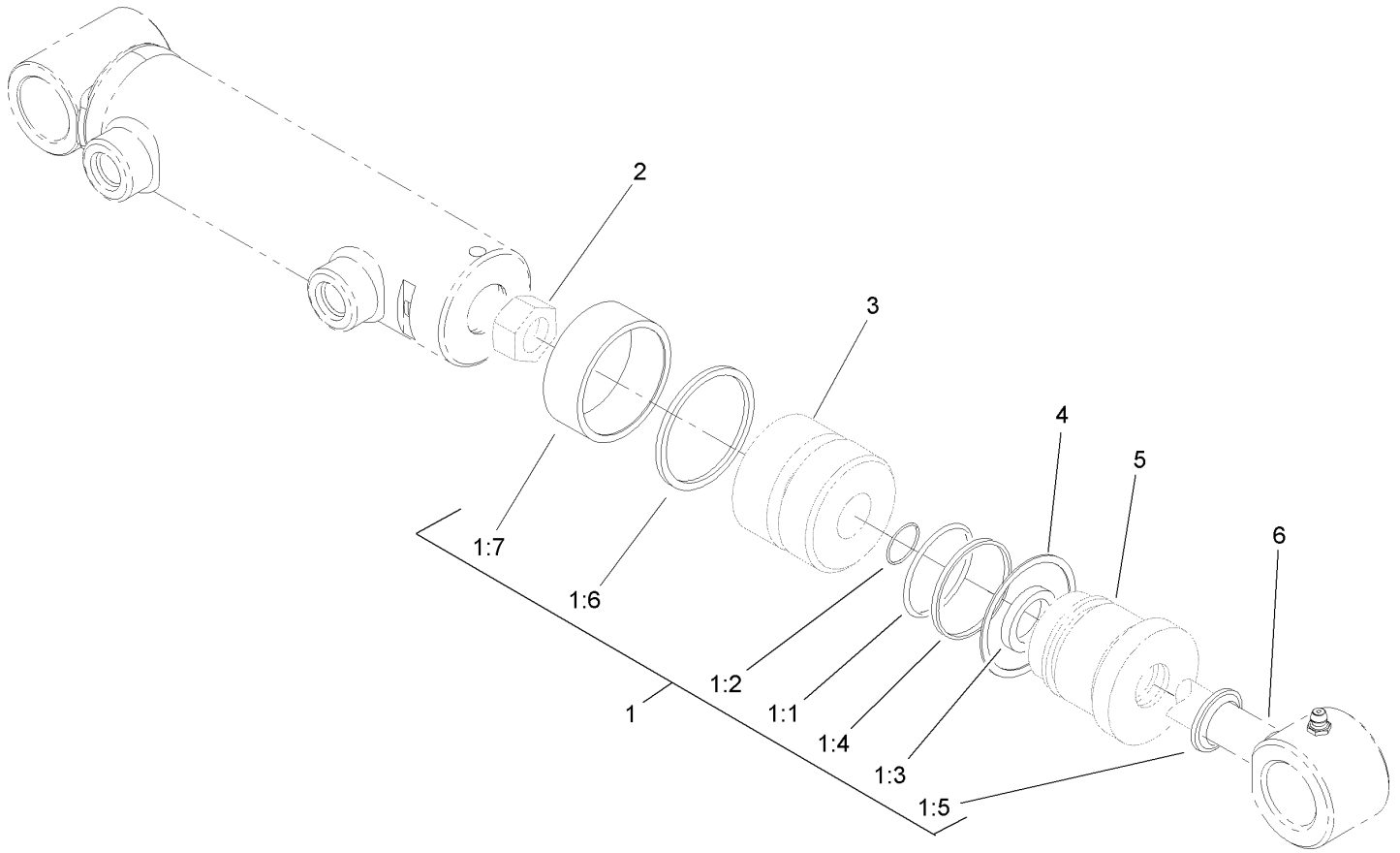
| | | | |
|--|--|--|--|
| | | | |
|--|--|--|--|



No. 2 and 3 Lift Arm Assembly

| Ref | Part No. | Qty. | Description |
|------|-------------|------|------------------------|
| 1 | 32128-20 | 2 | Nut-HF |
| 2 | 105-3992-03 | 1 | Bracket-Bulkhead |
| 3 | 340-166 | 2 | Fitting-Tee, HYD |
| 3:1 | 237-22 | 1 | O-Ring |
| 4 | 3234-17 | 2 | Screw-HHF |
| 5 | 33025-00 | 2 | Nut-Lock |
| 6 | 32121-110 | 2 | Pin-Roll, Slotted |
| 7 | 95-7158 | 2 | Pin-Pivot |
| 8 | 87-3470 | 2 | Bumper-Axle, Rear |
| 9 | 3-6781 | 2 | Washer-Thrust |
| 10 | 63-7400 | 2 | Washer-Rebound |
| 11 | 105-9827 | 2 | Shaft |
| 12 | 105-9202 | 1 | No. 2 Lift Arm ASM |
| 12:2 | 302-60 | 1 | Fitting-Grease, 90 DEG |
| 12:3 | 104-0015 | 2 | Bushing-Flange |
| 13 | 105-9203 | 1 | No. 3 Lift Arm ASM |
| 13:2 | 302-60 | 1 | Fitting-Grease, 90 DEG |
| 13:3 | 104-0015 | 2 | Bushing-Flange |
| 14 | 104-8300 | 2 | Nut-Flange, NI |
| 15 | 32151-36 | 4 | Ring-Retaining |
| 16 | 107-1978 | 2 | Cylinder-Lift |
| 17 | 302-11 | 2 | Fitting-Lube, 45 DEG |
| 18 | 3296-49 | 2 | Nut-Lock, NI |
| 19 | 340-2 | 2 | Fitting-HYD, Straight |

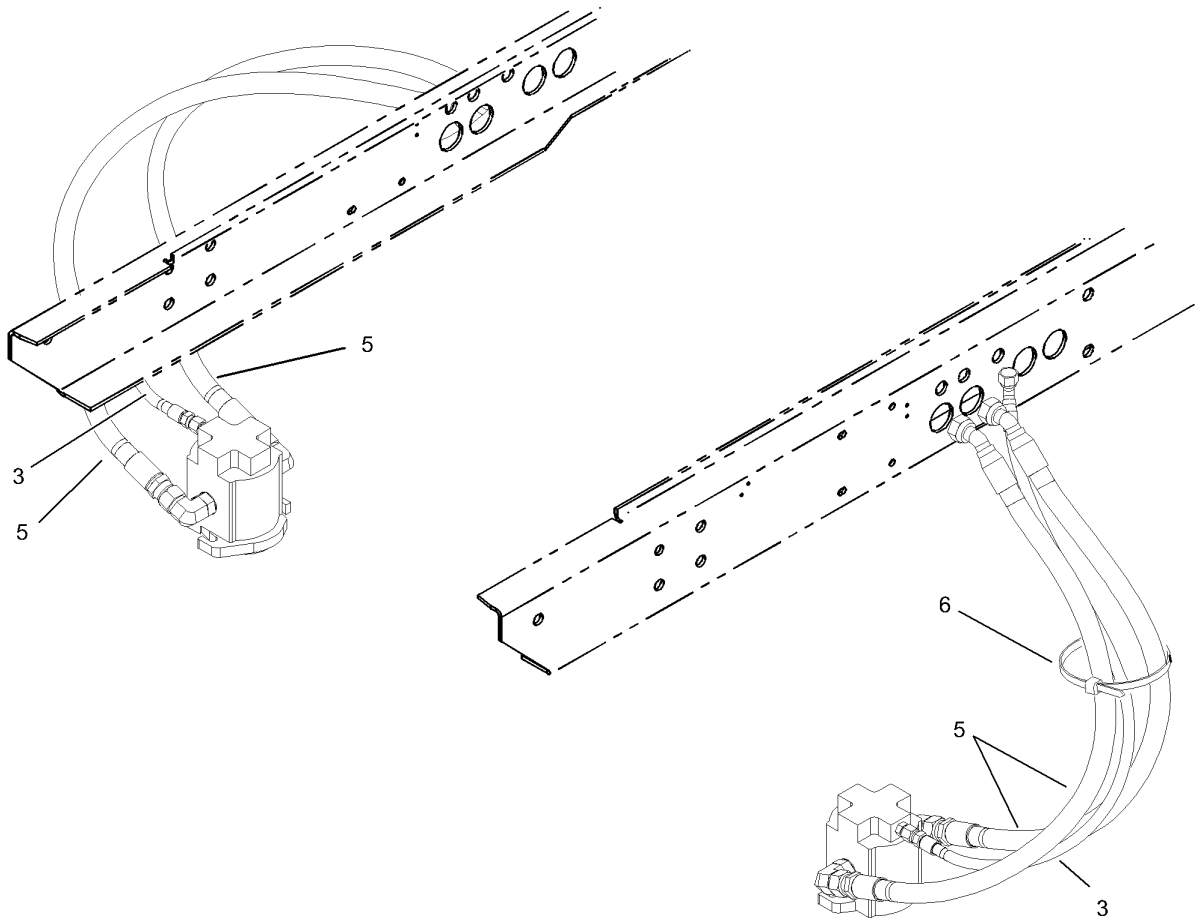
| Ref | Part No. | Qty. | Description |
|------|----------|------|----------------------------|
| 19:1 | 237-22 | 1 | O-Ring |
| 19:2 | 237-42 | 1 | O-Ring |
| 20 | 92-7548 | 2 | Pin-Cylinder |
| 21 | 76-2980 | 2 | Washer-Thrust |
| 22 | 3234-17 | 2 | Screw-HHF |
| 23 | 104-5525 | 2 | Cylinder Pin ASM |
| 24 | 323-6 | 2 | Screw-HH |
| 25 | 340-77 | 2 | Fitting-HYD, 90 DEG |
| 25:1 | 237-22 | 1 | O-Ring |
| 25:2 | 237-42 | 1 | O-Ring |
| 26 | 323-4 | 2 | Screw-HH |
| 27 | 105-9839 | 2 | Stop-Rotation, No. 2 And 3 |
| 28 | 3245-7 | 4 | Screw-Set |



Hydraulic Cylinder Assembly No. 107-1978

| Ref | Part No. | Qty. | Description |
|------|----------|------|----------------|
| 1 | 107-1977 | 1 | Seal Kit |
| ②1:1 | | 1 | Seal-Dust |
| ②1:2 | | 1 | Seal-Dust |
| ②1:3 | | 1 | Seal ASM |
| ②1:4 | | 1 | Back-Up |
| ②1:5 | | 1 | Wiper |
| ②1:6 | | 1 | Seal W/O-Ring |
| ②1:7 | | 1 | Ring-Wear |
| ②2 | | 1 | Locknut |
| ②3 | | 1 | Piston |
| ②4 | | 1 | Ring-Retaining |
| ②5 | | 1 | Head |
| ②6 | | 1 | Rod ASM |

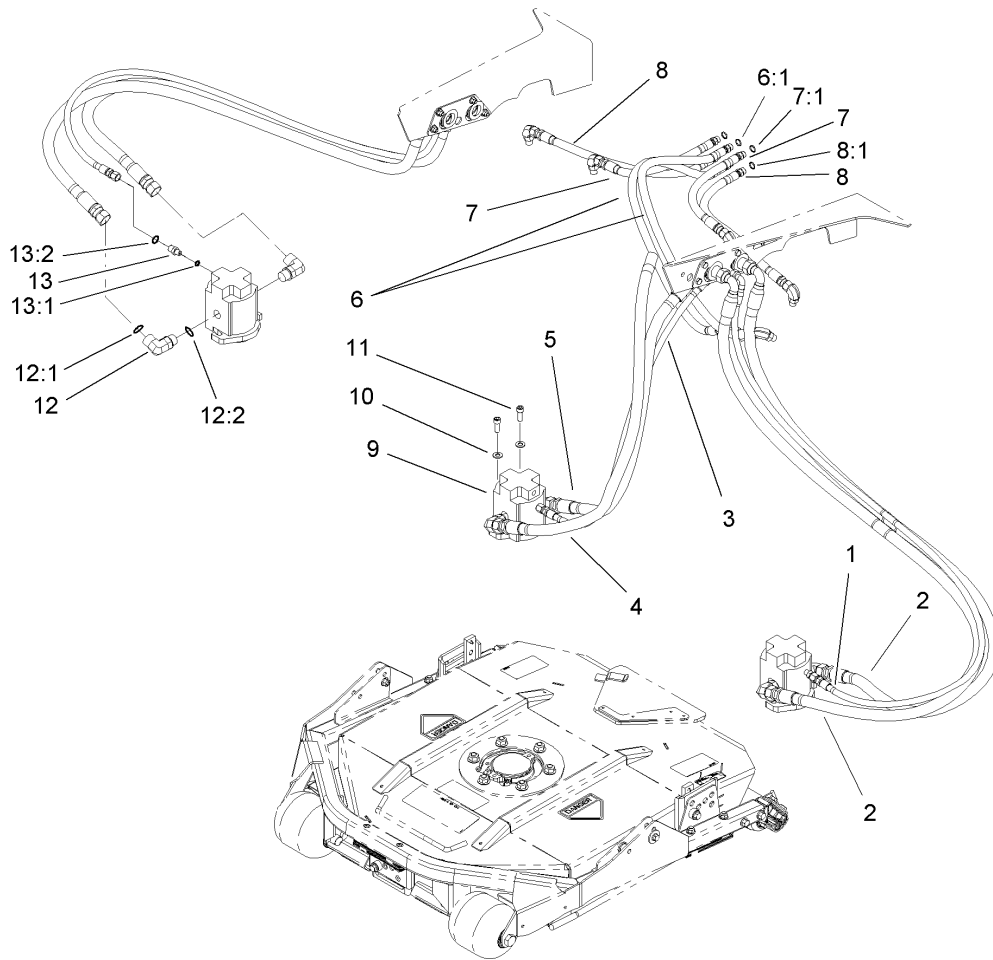
| | | | |
|--|--|--|--|
| | | | |
| | | | |
| | | | |
| | | | |



No. 2 and 3 Hose Installation Assembly

| Ref | Part No. | Qty. | Description |
|-----|----------|------|-------------|
| 3 | 104-5502 | 2 | Hose ASM |
| 5 | 104-5505 | 4 | Hose ASM |
| 6 | 3290-379 | 2 | Tie-Cable |

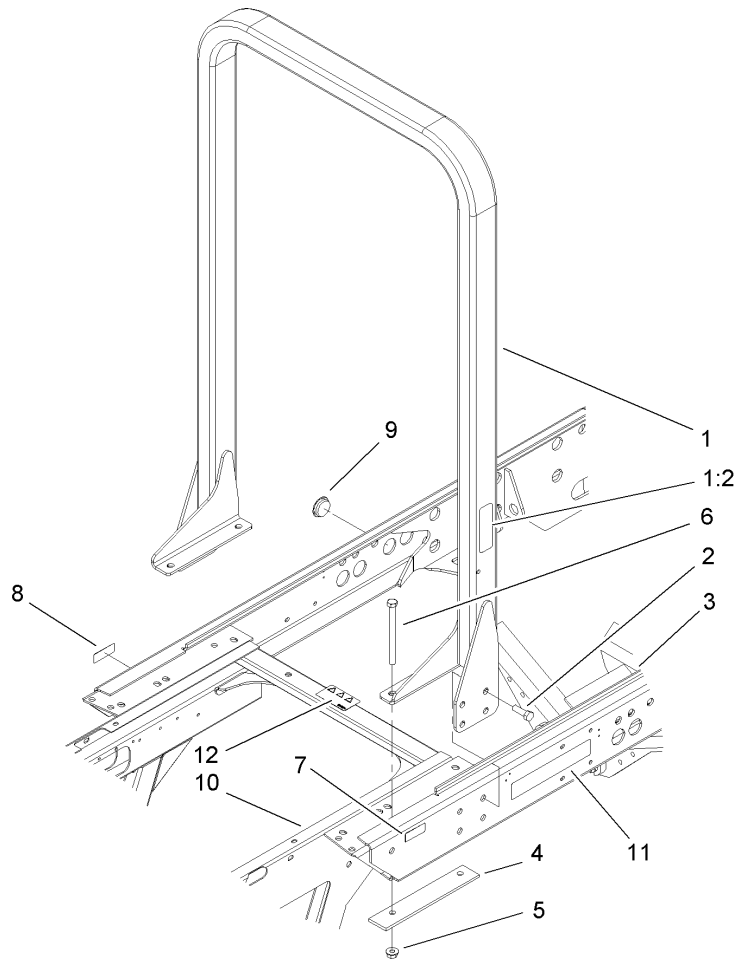
| Ref | Part No. | Qty. | Description |
|-----|----------|------|-------------|
| | | | |
| | | | |
| | | | |
| | | | |



No. 1, 4 and 5 Hose Installation Assembly

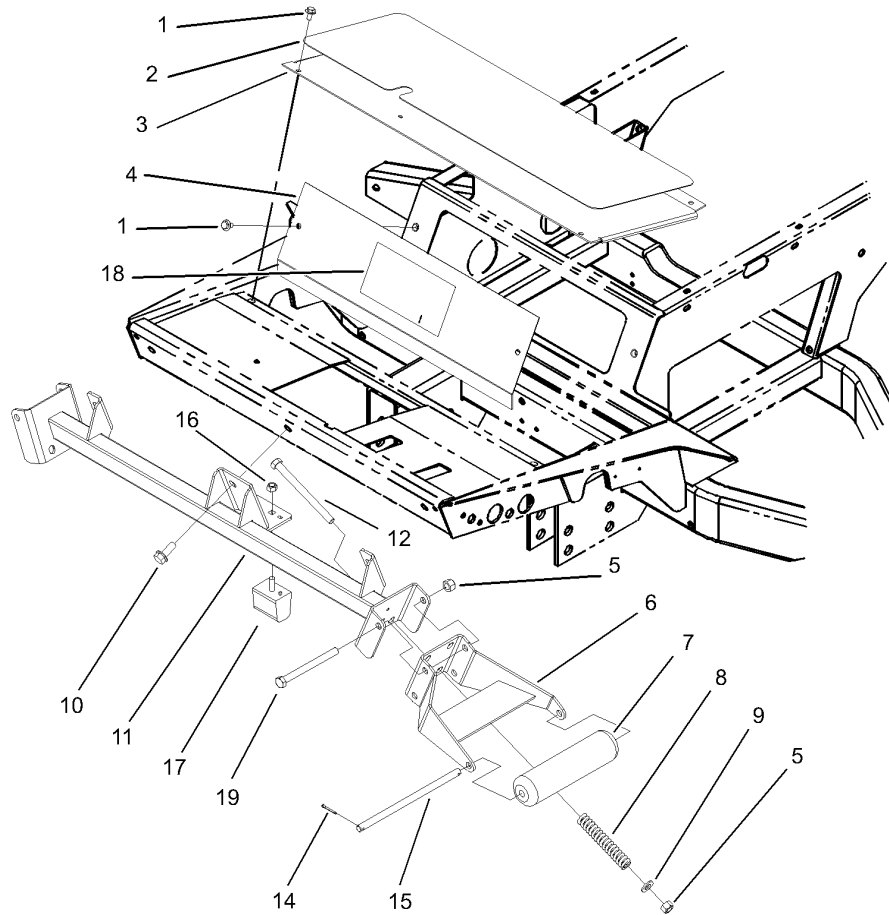
| Ref | Part No. | Qty. | Description |
|------|----------|------|-----------------------|
| 1 | 104-5500 | 2 | Hose ASM |
| 2 | 104-5501 | 4 | Hose ASM |
| 3 | 104-5502 | 1 | Hose ASM |
| 4 | 104-5504 | 1 | Hose ASM |
| 5 | 104-5505 | 1 | Hose ASM |
| 6 | 104-5511 | 2 | Hose ASM |
| 6:1 | 237-42 | 1 | O-Ring |
| 7 | 104-5512 | 2 | Hose ASM |
| 7:1 | 237-42 | 1 | O-Ring |
| 8 | 104-5513 | 2 | Hose ASM |
| 8:1 | 237-42 | 1 | O-Ring |
| 9 | 105-9872 | 5 | Motor-HYD |
| 10 | 3256-24 | 10 | Washer-Flat |
| 11 | 3274-7 | 10 | Screw-HSH |
| 12 | 340-17 | 10 | Fitting-HYD, 90 DEG |
| 12:1 | 237-65 | 1 | O-Ring |
| 12:2 | 237-80 | 1 | O-Ring |
| 13 | 340-92 | 5 | Fitting-HYD, Straight |
| 13:1 | 237-78 | 1 | O-Ring |
| 13:2 | 237-21 | 1 | O-Ring |

| | | | |
|--|--|--|--|
| | | | |
|--|--|--|--|



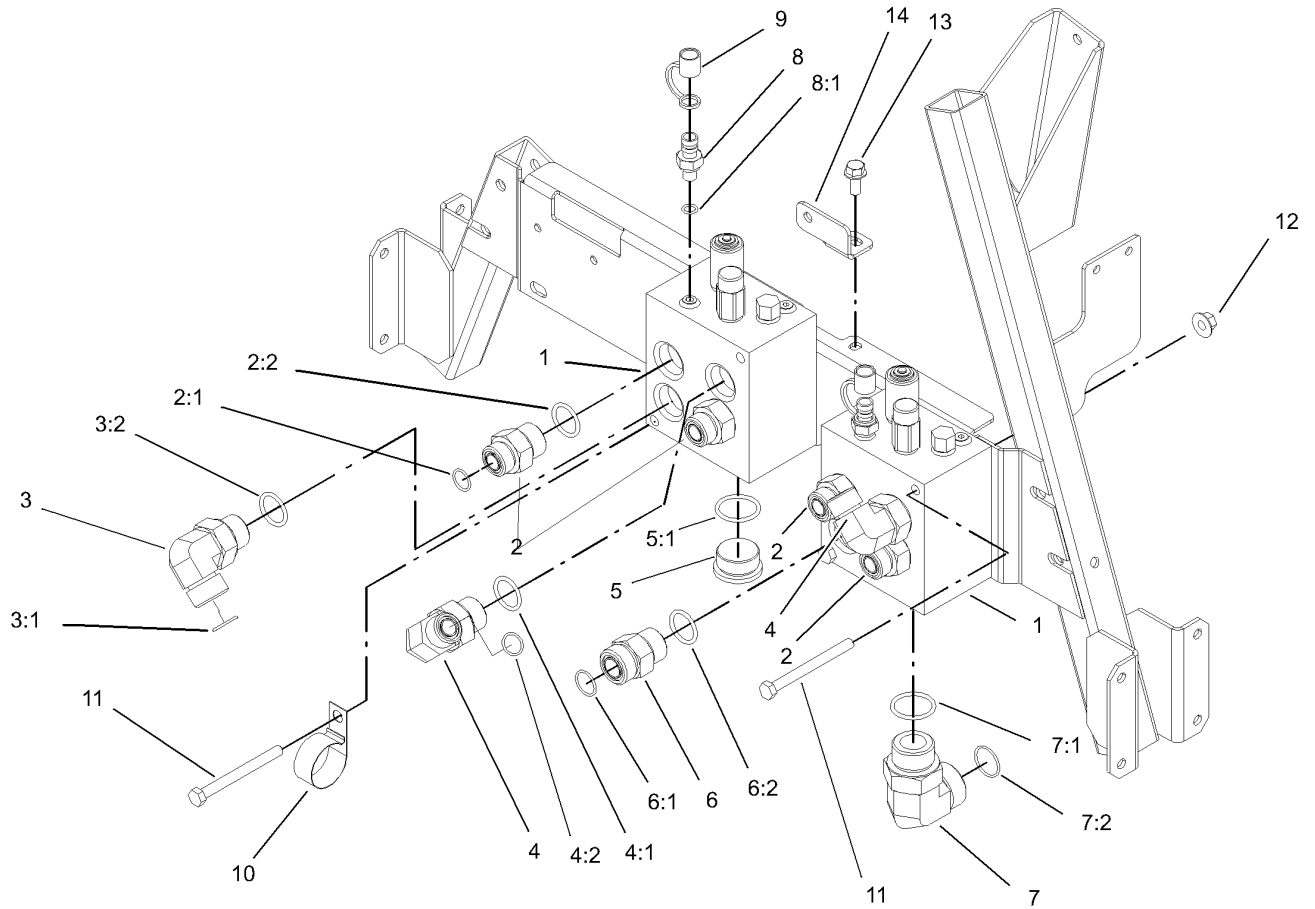
Roll-Over Protection System and Frame Assembly

| Ref | Part No. | Qty. | Description | |
|-----|-------------|------|---------------------------|--|
| 1 | 108-4018 | 1 | ROPS ASM | |
| 1:2 | 107-1999 | 1 | Decal-ROPS | |
| 2 | 3234-38 | 10 | Screw-HHF | |
| 3 | 104-5410-03 | 1 | Frame-Rear | |
| 4 | 104-5584-03 | 2 | Plate-Reinforcement, ROPS | |
| 5 | 32128-49 | 4 | Nut-HHF | |
| 6 | 325-20 | 4 | Screw-HH | |
| 7 | 93-6680 | 1 | Decal-Diesel | |
| 8 | 93-6686 | 1 | Decal-Oil, HYD | |
| 9 | 105-9194 | 4 | Plug | |
| 10 | 108-6051 | 1 | Front Frame ASM | |
| 11 | 72-3560 | 2 | Decal | |
| 12 | 106-6754 | 1 | Decal-Danger | |



Roller Support and Access Panel Assembly

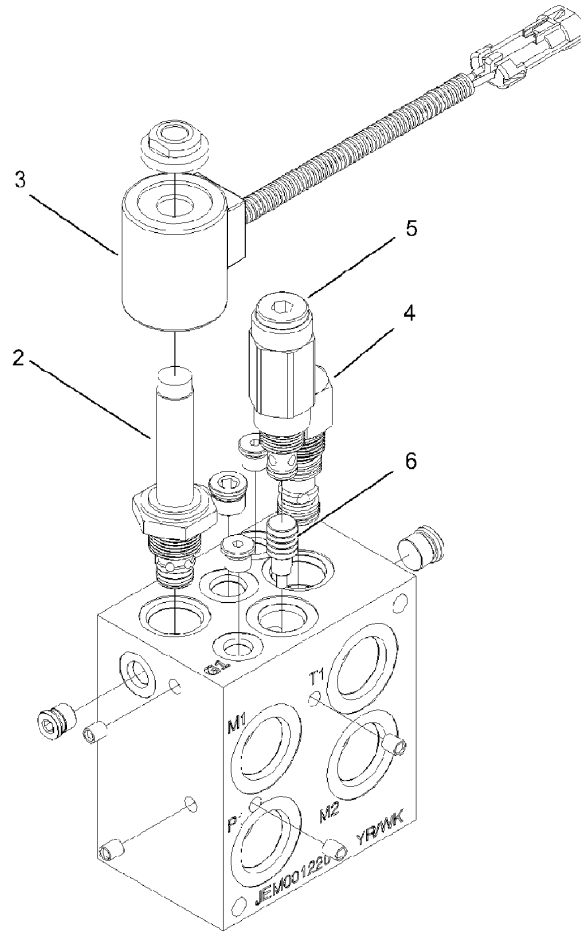
| Ref | Part No. | Qty. | Description |
|-----|-------------|------|---------------------|
| 1 | 3234-7 | 7 | Screw-HHF |
| 2 | 75-0630 | 1 | Tread-Foot, Center |
| 3 | 75-1410-01 | 1 | Plate-Access, Floor |
| 4 | 105-9243-01 | 1 | Plate-Access |
| 5 | 3296-23 | 4 | Nut-Lock, NI |
| 6 | 105-3996-01 | 2 | Roller Support ASM |
| 7 | 105-9816 | 2 | Roller-Plastic |
| 8 | 105-3970 | 2 | Spring-Compression |
| 9 | 3256-26 | 2 | Washer-Flat |
| 10 | 3234-38 | 3 | Screw-HHF |
| 11 | 104-5539-01 | 1 | Roller Support ASM |
| 12 | 325-22 | 2 | Screw-HH |
| 14 | 3272-11 | 4 | Pin-Cotter |
| 15 | 104-5545 | 2 | Shaft-Roller |
| 16 | 33025-00 | 1 | Nut-Lock |
| 17 | 87-3470 | 1 | Bumper-Axle, Rear |
| 18 | 105-3889 | 1 | Decal-Danger |
| 18 | 107-1983 | 1 | Decal-Warning |
| 19 | 325-20 | 2 | Screw-HH |



Manifold Assembly

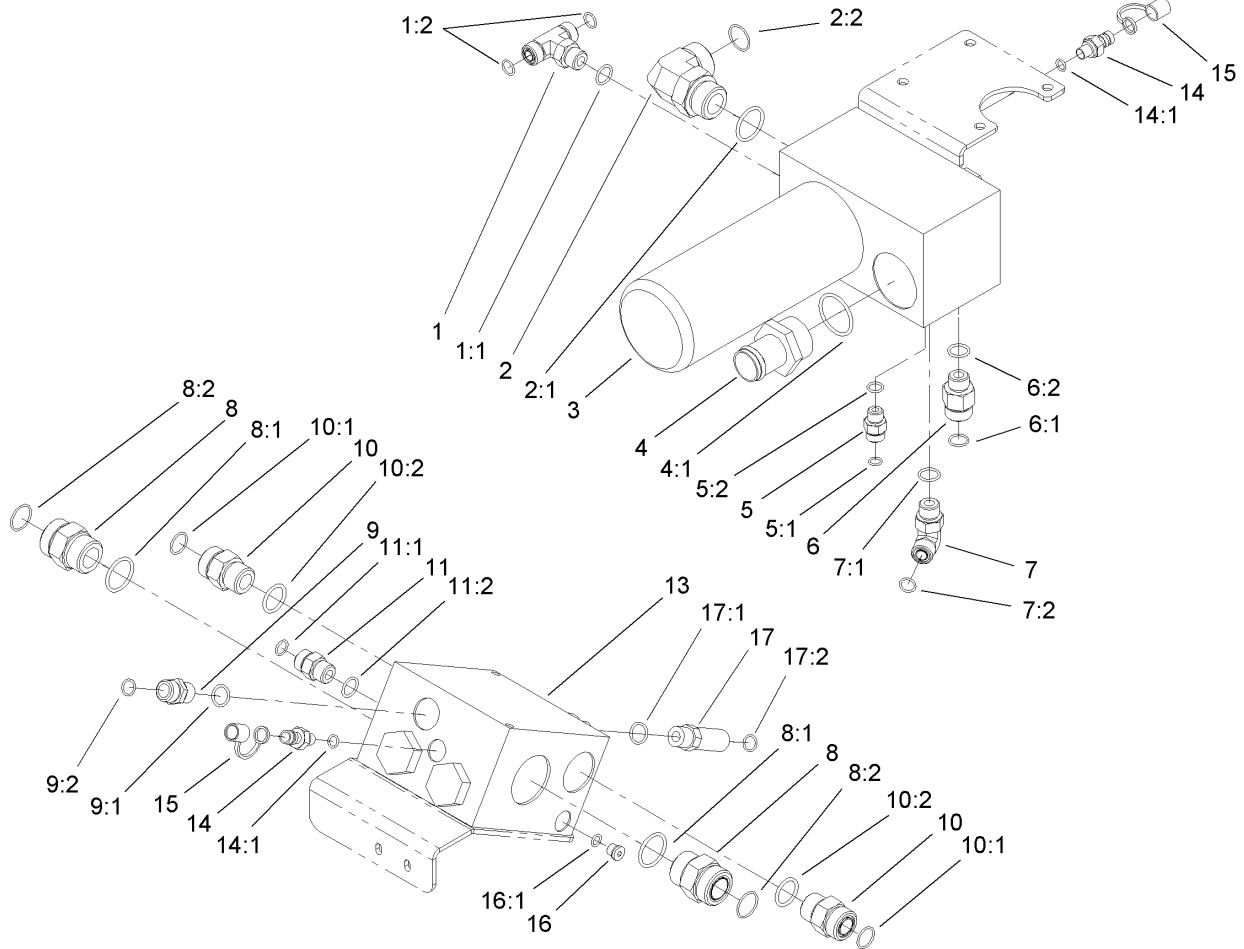
| Ref | Part No. | Qty. | Description |
|-----|----------|------|---------------------|
| 1 | 104-5475 | 2 | Manifold ASM |
| 2 | 340-8 | 4 | Adapter |
| 2:1 | 237-65 | 1 | O-Ring |
| 2:2 | 237-81 | 1 | O-Ring |
| 3 | 340-142 | 1 | Fitting-HYD, 90 DEG |
| 3:1 | 237-58 | 1 | O-Ring |
| 3:2 | 237-81 | 1 | O-Ring |
| 4 | 340-139 | 2 | Fitting-HYD, 90 DEG |
| 4:1 | 237-81 | 1 | O-Ring |
| 4:2 | 237-65 | 1 | O-Ring |
| 5 | 105-3921 | 1 | Fitting-Plug |
| 5:1 | 237-146 | 1 | O-Ring |
| 6 | 340-9 | 1 | Fitting-Straight |
| 6:1 | 237-58 | 1 | O-Ring |
| 6:2 | 237-81 | 1 | O-Ring |
| 7 | 340-129 | 1 | Fitting-HYD, 90 DEG |
| 7:1 | 237-146 | 1 | O-Ring |
| 7:2 | 340-65 | 1 | O-Ring |
| 8 | 354-77 | 2 | Fitting-Quick |
| 8:1 | 237-78 | 1 | O-Ring |
| 9 | 354-79 | 2 | Cap-Dust |
| 10 | 2412-150 | 1 | Clip-J |
| 11 | 322-22 | 4 | Screw-HH |
| 12 | 32128-44 | 5 | Nut |

| Ref | Part No. | Qty. | Description |
|-----|----------|------|-------------|
| 13 | 3234-5 | 1 | Screw-HHF |
| 14 | 104-5487 | 1 | Bracket-L |



Manifold Assembly No. 104-5475

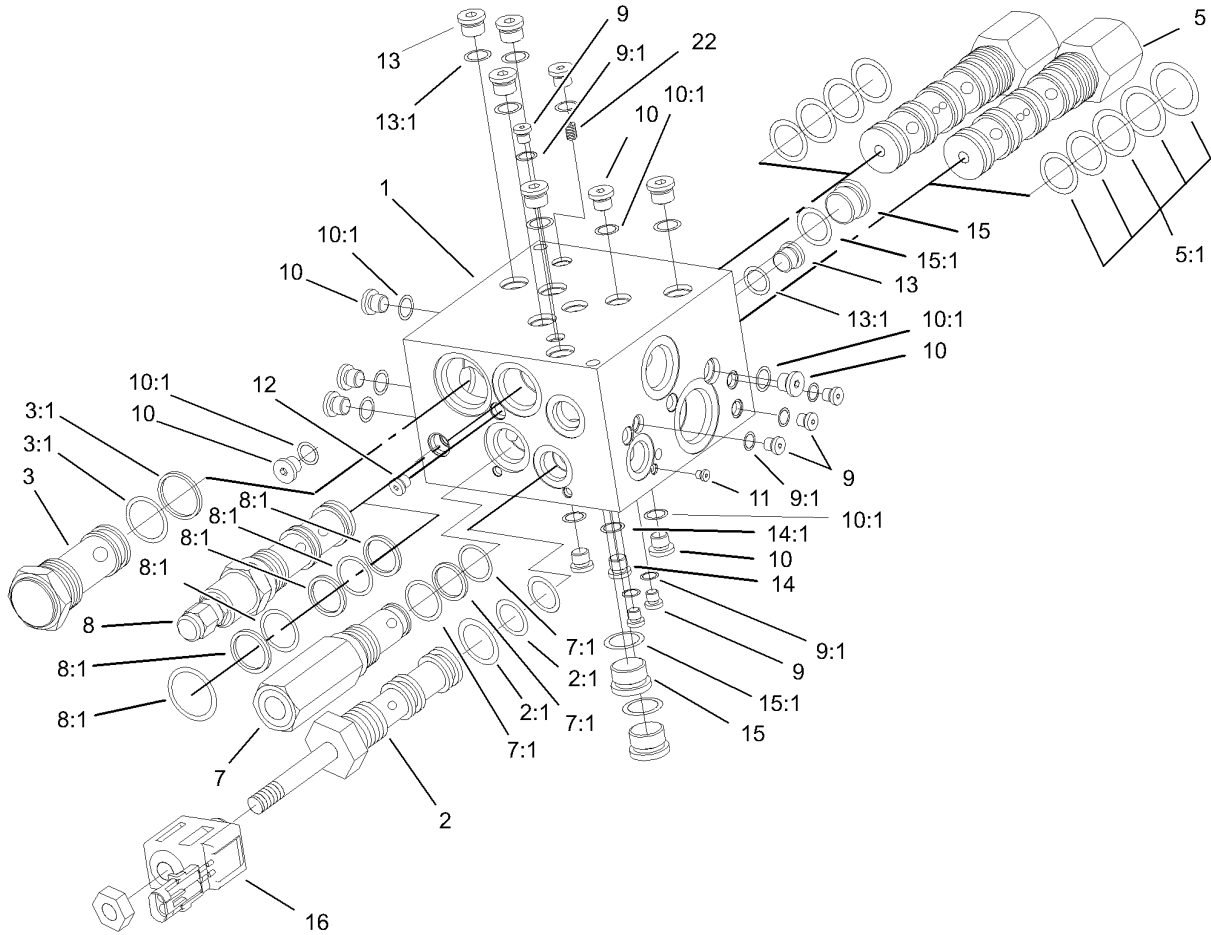
| Ref | Part No. | Qty. | Description | | | | |
|------|----------|------|-----------------------|--|--|--|--|
| 2 | 105-9150 | 1 | Relief-Proportional | | | | |
| ●2:1 | 105-9151 | 1 | Seal Kit | | | | |
| 3 | 105-9152 | 1 | Coil ASM | | | | |
| 4 | 105-9153 | 1 | Element-Logic, Vented | | | | |
| ●4:1 | 105-9154 | 1 | Seal Kit | | | | |
| 5 | 105-9155 | 1 | Valve-Relief | | | | |
| ●5:1 | 105-9156 | 1 | Seal Kit | | | | |
| 6 | 105-9157 | 1 | Piston-Pilot | | | | |



4 Wheel Drive Manifold and Filter Assembly

| Ref | Part No. | Qty. | Description |
|-----|----------|------|------------------------|
| 1 | 340-157 | 1 | Fitting-HYD, Tee |
| 1:1 | 237-79 | 1 | O-Ring |
| 1:2 | 237-30 | 2 | O-Ring |
| 2 | 340-129 | 1 | Fitting-HYD, 90 DEG |
| 2:1 | 237-146 | 1 | O-Ring |
| 2:2 | 340-65 | 1 | O-Ring |
| 3 | 100-5558 | 1 | Manifold-Filter |
| 4 | 104-5480 | 1 | Fitting-Hose, Straight |
| 4:1 | 237-123 | 1 | O-Ring |
| 5 | 340-2 | 1 | Fitting-HYD, Straight |
| 5:1 | 237-22 | 1 | O-Ring |
| 5:2 | 237-42 | 1 | O-Ring |
| 6 | 340-155 | 1 | Fitting-HYD, Straight |
| 6:1 | 237-79 | 1 | O-Ring |
| 6:2 | 237-151 | 1 | O-Ring |
| 7 | 340-98 | 1 | Fitting-HYD, 90 DEG |
| 7:1 | 237-79 | 1 | O-Ring |
| 7:2 | 237-30 | 1 | O-Ring |
| 8 | 104-3797 | 2 | Fitting-HYD, Straight |
| 8:1 | 237-146 | 1 | O-Ring |
| 8:2 | 340-65 | 1 | O-Ring |
| 9 | 100-4890 | 1 | Fitting-Check |
| 9:1 | 237-79 | 1 | O-Ring |
| 9:2 | 237-30 | 1 | O-Ring |

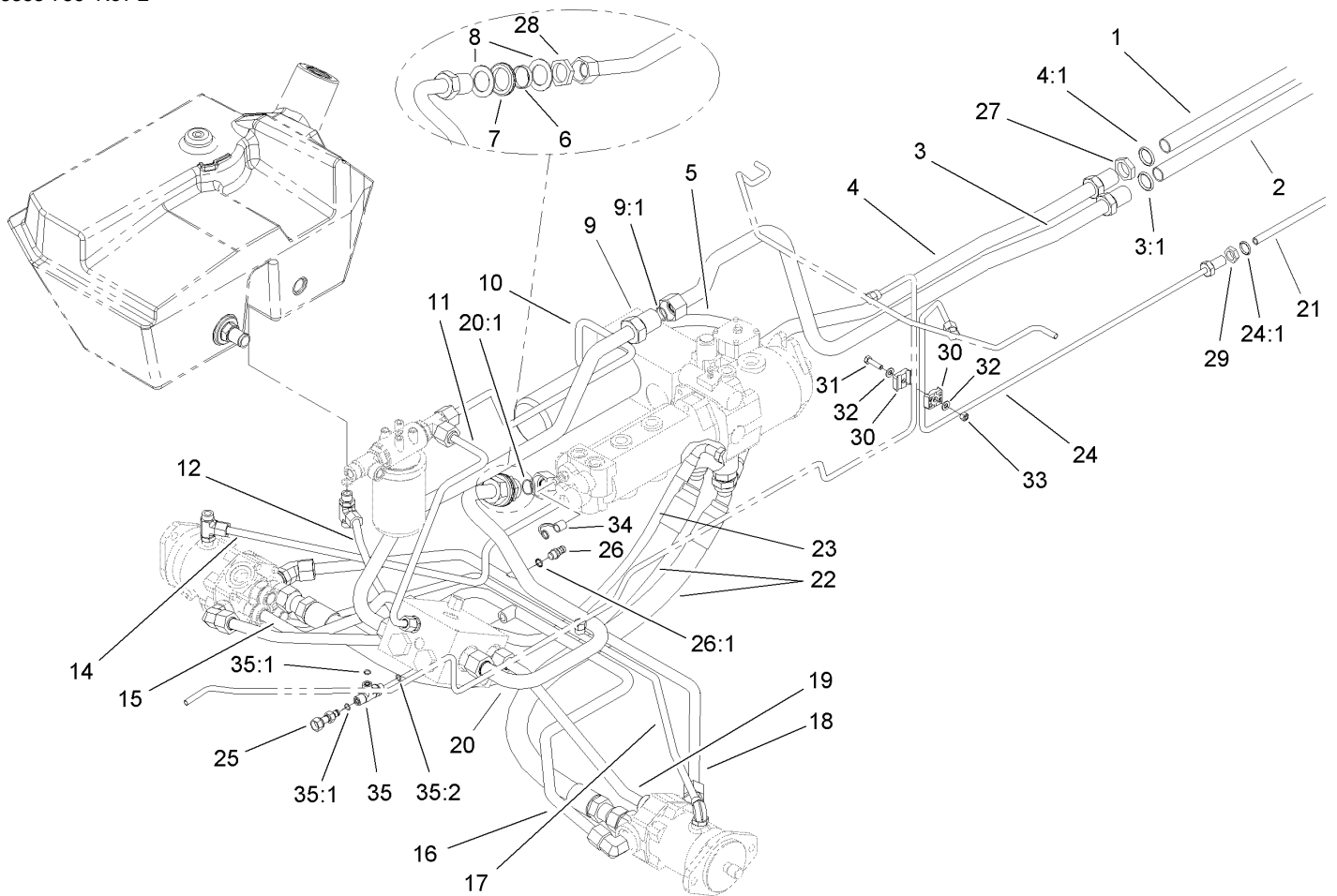
| Ref | Part No. | Qty. | Description |
|------|----------|------|----------------------------|
| 10 | 340-9 | 2 | Fitting-Straight |
| 10:1 | 237-58 | 1 | O-Ring |
| 10:2 | 237-81 | 1 | O-Ring |
| 11 | 340-4 | 1 | Fitting-HYD, Straight |
| 11:1 | 237-30 | 1 | O-Ring |
| 11:2 | 237-79 | 1 | O-Ring |
| 13 | 105-9875 | 1 | 4-Wheel Drive Manifold ASM |
| 14 | 354-77 | 2 | Fitting-Quick |
| 14:1 | 237-78 | 1 | O-Ring |
| 15 | 354-79 | 2 | Cap-Dust |
| 16 | 353-990 | 1 | Plug |
| 16:1 | 237-78 | 1 | O-Ring |
| 17 | 94-2628 | 1 | Adapter-HYD |
| 17:1 | 237-79 | 1 | O-Ring |
| 17:2 | 237-30 | 1 | O-Ring |



4 Wheel Drive Manifold Assembly No. 105-9875

| Ref | Part No. | Qty. | Description |
|------|----------|------|------------------|
| 1 | | 1 | Manifold |
| 2 | 104-8603 | 1 | Valve-Solenoid |
| 2:1 | 99-5505 | 1 | Seal Kit |
| 3 | 104-8604 | 1 | Valve-Check |
| 3:1 | 99-5506 | 1 | Seal Kit |
| 5 | 104-8605 | 2 | Valve-Control |
| 5:1 | 99-5507 | 1 | Seal Kit |
| 7 | 105-9847 | 1 | Valve-Relief |
| 7:1 | 99-5503 | 1 | Seal Kit |
| 8 | 105-9848 | 1 | Valve-Reducing |
| 8:1 | 104-4266 | 1 | Seal Kit |
| 9 | 353-991 | 2 | Plug-Hex, Hollow |
| 9:1 | 237-156 | 1 | O-Ring |
| 10 | 354-137 | 3 | Plug |
| 10:1 | 237-86 | 1 | O-Ring |
| 11 | | 10 | Plug-Expander |
| 12 | | 10 | Plug-Expander |
| 13 | 353-989 | 6 | Plug-Hex, Hollow |
| 13:1 | 237-42 | 1 | O-Ring |
| 14 | 353-990 | 1 | Plug |
| 14:1 | 237-78 | 1 | O-Ring |
| 15 | 354-70 | 3 | Plug-Hex, Hollow |
| 15:1 | 237-80 | 1 | O-Ring |
| 16 | 110-3251 | 1 | Coil-Solenoid |

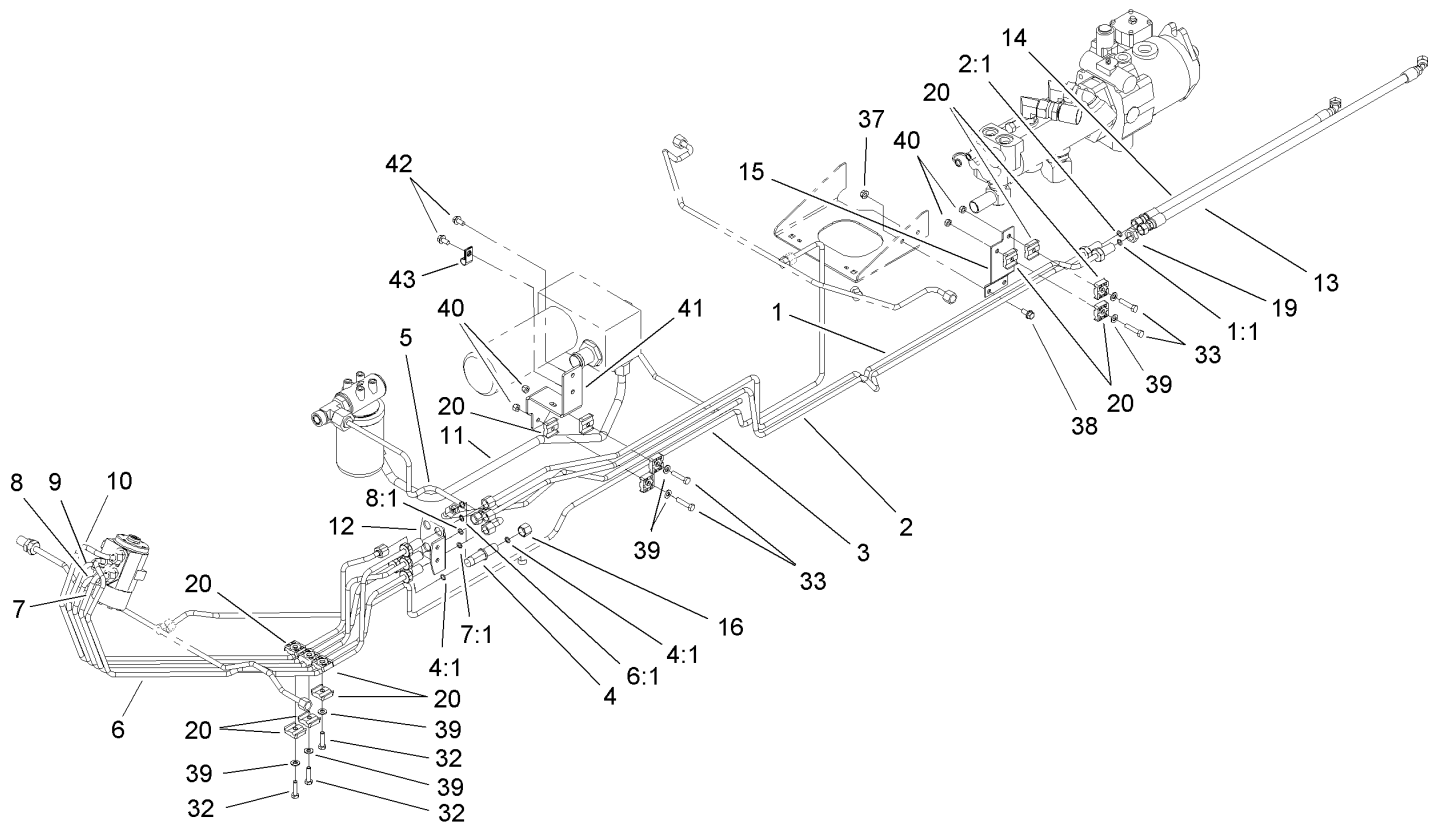
| Ref | Part No. | Qty. | Description |
|-----|----------|------|--------------|
| 22 | 106-6766 | 1 | Plug-Orifice |



Traction Hydraulic Line Assembly

| Ref | Part No. | Qty. | Description |
|------|----------|------|----------------|
| 1 | 92-7536 | 1 | Hose ASM |
| 2 | 105-9818 | 1 | Hose ASM |
| 3 | 104-5476 | 1 | Tube ASM |
| 3:1 | 340-65 | 1 | O-Ring |
| 4 | 104-5478 | 1 | Tube ASM |
| 4:1 | 340-65 | 1 | O-Ring |
| 5 | 105-3864 | 1 | Hose ASM |
| 6 | 69-8950 | 2 | Spacer |
| 7 | 240-2 | 2 | Grommet-Rubber |
| 8 | 69-8920 | 4 | Washer |
| 9 | 104-5472 | 1 | Tube ASM |
| 9:1 | 340-65 | 1 | O-Ring |
| 10 | 105-3861 | 1 | Tube ASM |
| 11 | 105-3915 | 1 | Tube ASM |
| 12 | 104-5489 | 1 | Tube ASM |
| 14 | 105-3866 | 1 | Tube ASM |
| 15 | 104-5470 | 1 | Tube ASM |
| 16 | 105-3984 | 1 | Tube ASM |
| 17 | 105-3865 | 1 | Tube ASM |
| 18 | 104-5462 | 1 | Tube ASM |
| 19 | 104-5468 | 1 | Tube ASM |
| 20 | 104-5473 | 1 | Tube ASM |
| 20:1 | 340-65 | 1 | O-Ring |
| 21 | 92-7534 | 1 | Hose ASM |

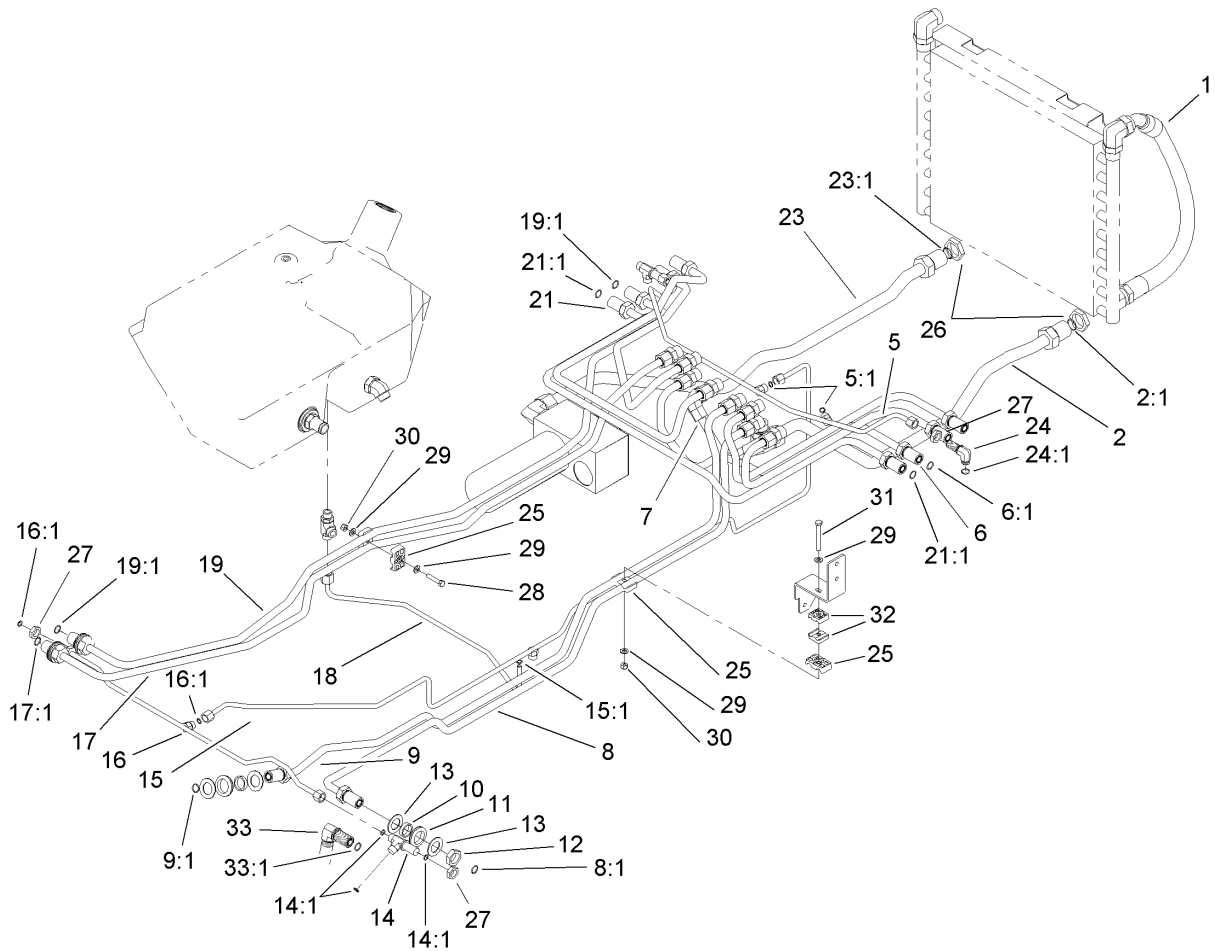
| Ref | Part No. | Qty. | Description |
|------|----------|------|------------------------|
| 22 | 104-5464 | 2 | Hose ASM |
| 23 | 105-3985 | 1 | Hose ASM |
| 24 | 105-9863 | 1 | Tube-HYD |
| 24:1 | 237-22 | 1 | O-Ring |
| 25 | 86-5480 | 1 | Nipple-Test |
| 26 | 59-7410 | 1 | Tip-Nipple, Diagnostic |
| 26:1 | 237-42 | 1 | O-Ring |
| 27 | 340-126 | 2 | Nut-Bulkhead |
| 28 | 340-128 | 2 | Nut-Bulkhead |
| 29 | 340-70 | 1 | Nut-Lock |
| 30 | 56-7973 | 2 | Clamp-Tube |
| 31 | 322-6 | 1 | Screw-HH |
| 32 | 3256-23 | 2 | Washer-Flat |
| 33 | 3296-29 | 1 | Nut-Lock, NI |
| 34 | 354-79 | 2 | Cap-Dust |
| 35 | 340-86 | 1 | Fitting-Tee |
| 35:1 | 237-22 | 2 | O-Ring |
| 35:2 | 237-42 | 1 | O-Ring |



Hydraulic Steering Line Assembly

| Ref | Part No. | Qty. | Description |
|-----|-------------|------|-----------------------|
| 1 | 105-3871 | 1 | Tube ASM |
| 1:1 | 237-22 | 1 | O-Ring |
| 2 | 105-3870 | 1 | Tube ASM |
| 2:1 | 237-22 | 1 | O-Ring |
| 3 | 105-3887 | 1 | Tube ASM |
| 4 | 340-68 | 1 | Fitting-Tee, Bulkhead |
| 4:1 | 237-22 | 3 | O-Ring |
| 5 | 105-3886 | 1 | Tube ASM |
| 6 | 94-3060 | 1 | HYD Tube ASM |
| 6:1 | 237-22 | 1 | O-Ring |
| 7 | 94-3071 | 1 | HYD Tube ASM |
| 7:1 | 237-22 | 1 | O-Ring |
| 8 | 94-3059 | 1 | HYD Tube ASM |
| 8:1 | 237-22 | 1 | O-Ring |
| 9 | 94-3061 | 1 | HYD Tube ASM |
| 9:1 | 237-22 | 1 | O-Ring |
| 10 | 94-3062 | 1 | HYD Tube ASM |
| 11 | 104-5485 | 1 | Tube ASM |
| 12 | 92-7606-03 | 1 | Bracket-Bulkhead |
| 13 | 105-9817 | 1 | Hose ASM |
| 14 | 92-7539 | 1 | Hose ASM |
| 15 | 105-3873-03 | 1 | Bracket-Mount, Clamp |
| 16 | 340-117 | 1 | Cap |
| 19 | 340-70 | 7 | Nut-Lock |

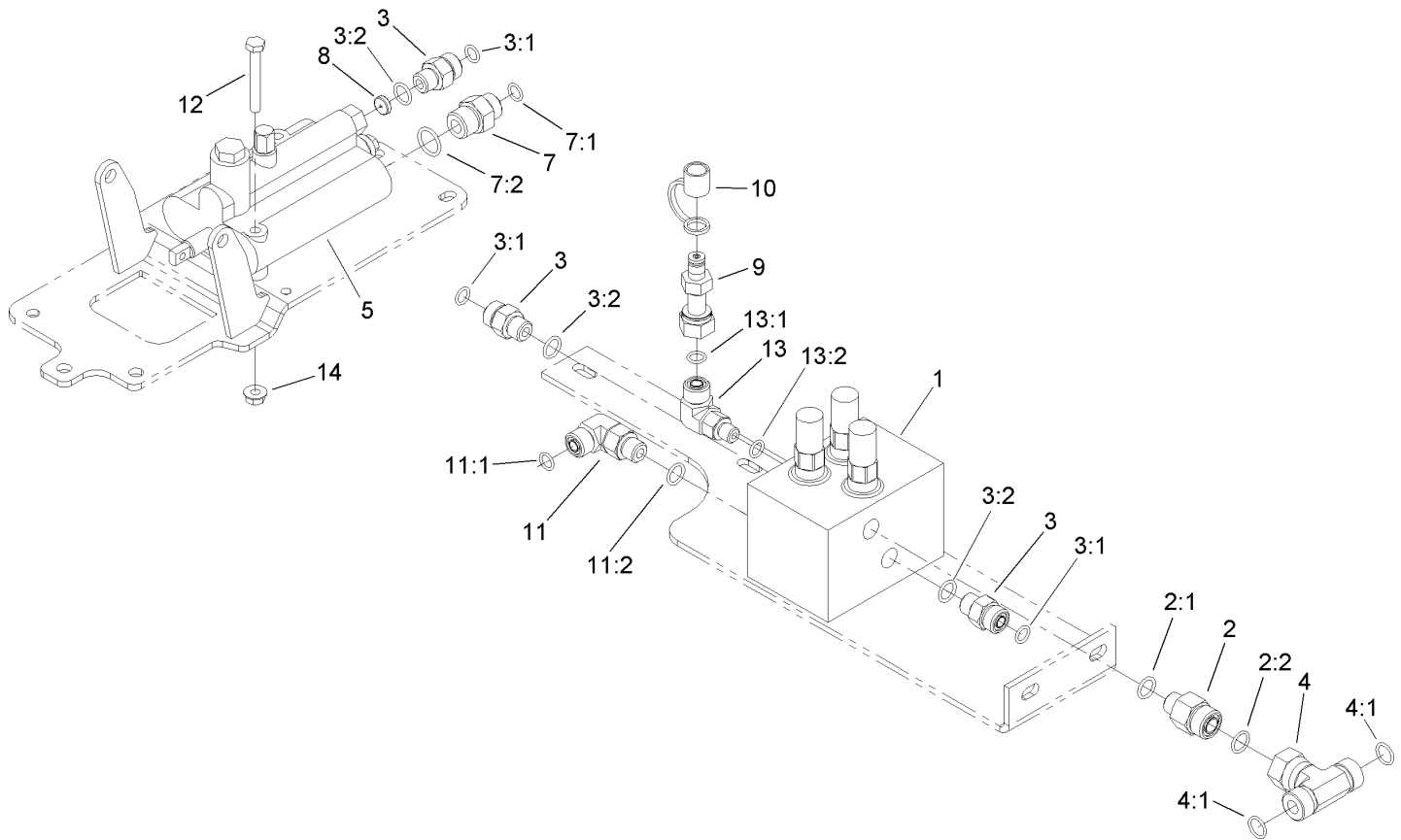
| Ref | Part No. | Qty. | Description |
|-----|-------------|------|-----------------------|
| 20 | 56-7973 | 14 | Clamp-Tube |
| 32 | 322-6 | 3 | Screw-HH |
| 33 | 322-7 | 4 | Screw-HH |
| 37 | 32128-20 | 2 | Nut-HF |
| 38 | 3234-5 | 2 | Screw-HHF |
| 39 | 3256-23 | 7 | Washer-Flat |
| 40 | 3296-29 | 4 | Nut-Lock, NI |
| 41 | 105-3993-03 | 1 | Bracket-Support, Tube |
| 42 | 32144-14 | 2 | Screw-HWHTF |
| 43 | 2412-138 | 1 | R-Clamp |



Mow Block Hydraulic Line Assembly

| Ref | Part No. | Qty. | Description |
|------|----------|------|-----------------------|
| 1 | 104-5483 | 2 | Hose ASM |
| 2 | 104-5488 | 1 | Tube ASM |
| 2:1 | 340-65 | 1 | O-Ring |
| 5 | 105-9862 | 1 | Tube ASM |
| 5:1 | 237-22 | 2 | O-Ring |
| 6 | 105-3895 | 1 | Tube ASM |
| 6:1 | 237-65 | 1 | O-Ring |
| 7 | 105-3885 | 1 | Tube ASM |
| 8 | 105-3893 | 1 | Tube ASM |
| 8:1 | 237-65 | 1 | O-Ring |
| 9 | 105-3894 | 1 | Tube ASM |
| 9:1 | 237-65 | 1 | O-Ring |
| 10 | 69-9000 | 9 | Spacer |
| 11 | 240-3 | 9 | Grommet-Rubber |
| 12 | 340-74 | 9 | Locknut-Bulkhead |
| 13 | 69-9010 | 18 | Washer |
| 14 | 340-68 | 1 | Fitting-Tee, Bulkhead |
| 14:1 | 237-22 | 3 | O-Ring |
| 15 | 105-3914 | 1 | Tube ASM |
| 15:1 | 237-22 | 1 | O-Ring |
| 16 | 108-6063 | 1 | Front Drain Tube ASM |
| 16:1 | 237-22 | 2 | O-Ring |
| 17 | 105-3902 | 1 | Tube ASM |
| 17:1 | 237-65 | 1 | O-Ring |

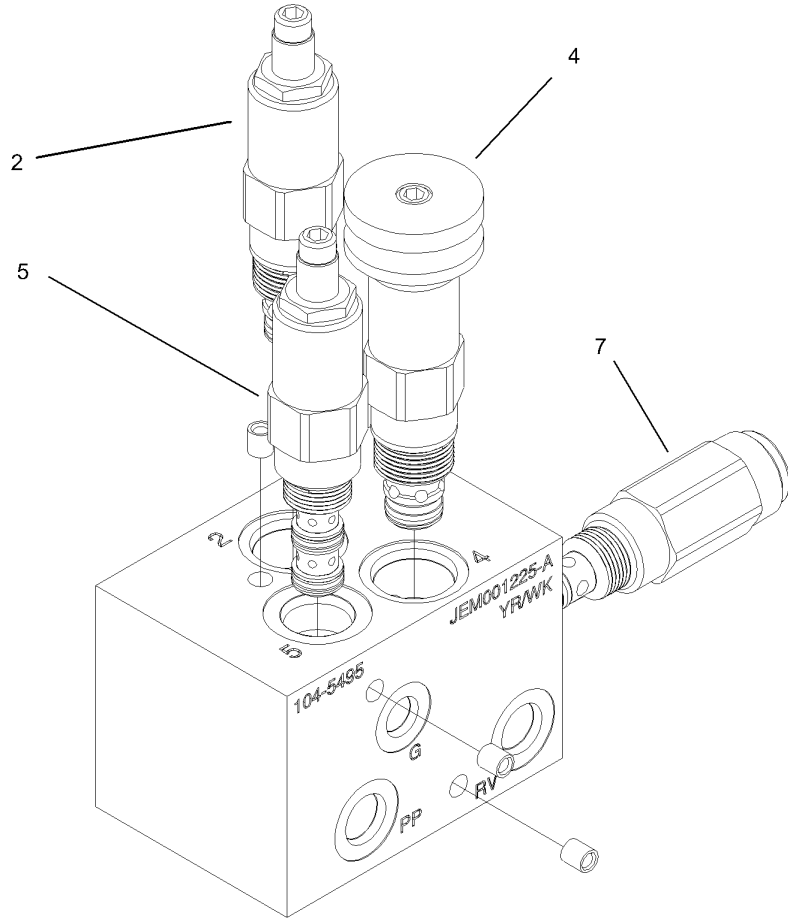
| Ref | Part No. | Qty. | Description |
|------|----------|------|--------------------------|
| 18 | 105-3911 | 1 | Tube ASM |
| 19 | 105-3901 | 1 | Tube ASM |
| 19:1 | 237-65 | 2 | O-Ring |
| 21 | 105-3900 | 1 | Tube ASM |
| 21:1 | 237-65 | 2 | O-Ring |
| 23 | 104-5481 | 1 | Tube ASM |
| 23:1 | 340-65 | 1 | O-Ring |
| 24 | 340-154 | 2 | Union-Bulkhead |
| 24:1 | 237-22 | 2 | O-Ring |
| 25 | 56-7971 | 4 | Clamp-Tube |
| 26 | 340-128 | 2 | Nut-Bulkhead |
| 27 | 340-70 | 4 | Nut-Lock |
| 28 | 322-8 | 1 | Screw-HH |
| 29 | 3256-23 | 4 | Washer-Flat |
| 30 | 3296-29 | 2 | Nut-Lock, NI |
| 31 | 322-13 | 1 | Screw-HH |
| 32 | 56-7973 | 2 | Clamp-Tube |
| 33 | 340-72 | 1 | Fitting-Bulkhead, 90 DEG |
| 33:1 | 237-65 | 2 | O-Ring |



Lift Valve and Counter Balance Assembly

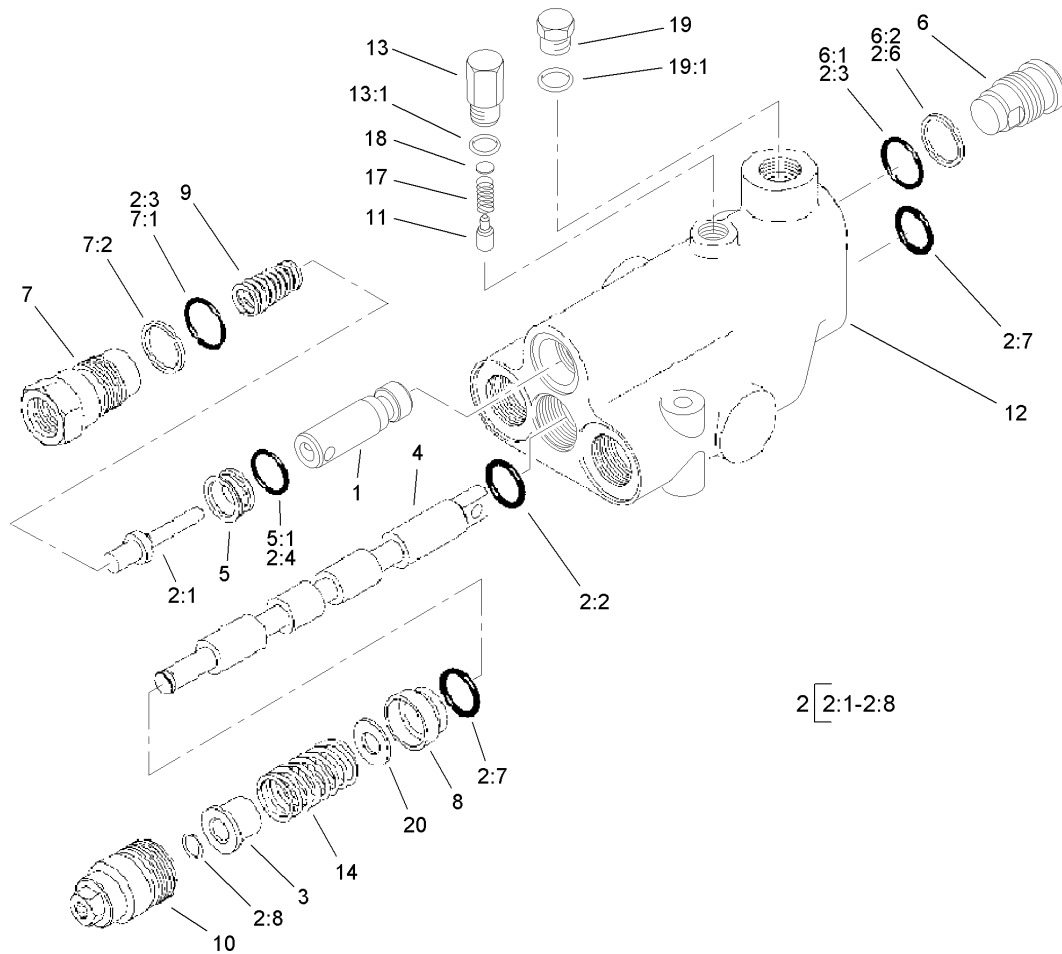
| Ref | Part No. | Qty. | Description |
|------|----------|------|-----------------------|
| 1 | 104-5495 | 1 | Manifold ASM |
| 2 | 340-5 | 1 | Fitting-Straight |
| 2:1 | 237-42 | 1 | O-Ring |
| 2:2 | 237-30 | 1 | O-Ring |
| 3 | 340-2 | 3 | Fitting-HYD, Straight |
| 3:1 | 237-22 | 1 | O-Ring |
| 3:2 | 237-42 | 1 | O-Ring |
| 4 | 93-6810 | 1 | Fitting-Tee |
| 4:1 | 237-30 | 2 | O-Ring |
| 5 | 104-5494 | 1 | Valve-Spool, Single |
| 7 | 340-3 | 2 | Adapter |
| 7:1 | 237-22 | 1 | O-Ring |
| 7:2 | 237-79 | 1 | O-Ring |
| 8 | 84-6402 | 1 | Disc-Orifice |
| 9 | 86-5480 | 1 | Nipple-Test |
| 10 | 354-79 | 1 | Cap-Dust |
| 11 | 340-77 | 1 | Fitting-HYD, 90 DEG |
| 11:1 | 237-22 | 1 | O-Ring |
| 11:2 | 237-42 | 1 | O-Ring |
| 12 | 321-11 | 2 | Screw-HH |
| 13 | 340-97 | 1 | Fitting-HYD, 90 DEG |
| 13:1 | 237-22 | 1 | O-Ring |
| 13:2 | 237-78 | 1 | O-Ring |
| 14 | 32128-33 | 2 | Nut-HF |

| | | | |
|--|--|--|--|
| | | | |
| | | | |
| | | | |
| | | | |



Manifold Assembly No. 104-5495

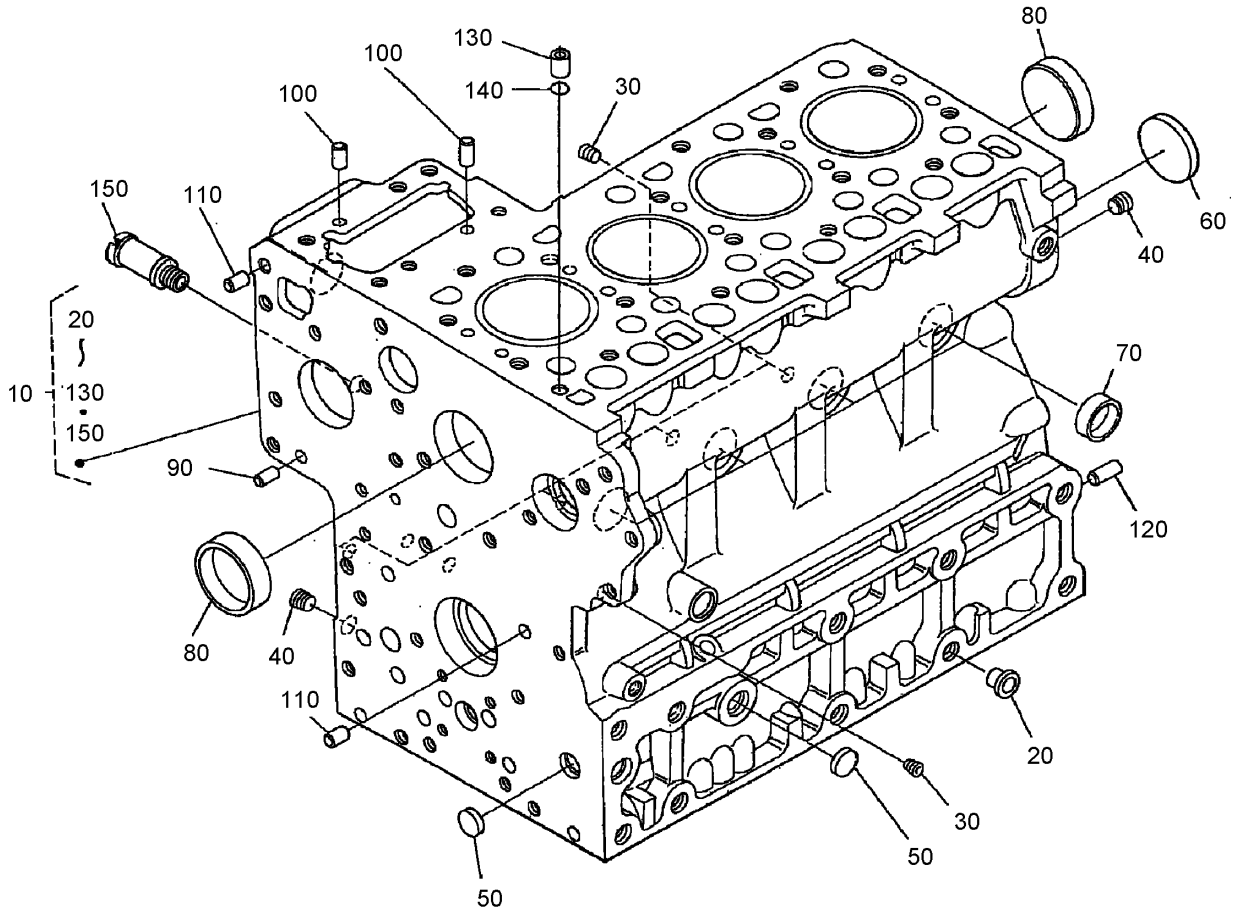
| Ref | Part No. | Qty. | Description |
|------|----------|------|---------------------------|
| 2 | 105-9161 | 1 | Relief-Operated, Pilot |
| ●2:1 | 105-9151 | 1 | Seal Kit |
| 4 | 105-9162 | 1 | Relief-Operated, Pilot |
| ●4:1 | 105-9151 | 1 | Seal Kit |
| 5 | 105-9163 | 1 | Valve-Pilot Sequence, EXT |
| ●5:1 | 105-9164 | 1 | Seal Kit |
| 7 | 105-9844 | 1 | Valve-Relief |
| ●7:2 | 105-9156 | 1 | Seal Kit |



Single Spool Valve Assembly No. 104-5494

| Ref | Part No. | Qty. | Description |
|-----|----------|------|----------------|
| 1 | 84-6420 | 1 | Plunger |
| 2 | 99-3589 | 1 | Seal Kit |
| 2:1 | 58-6290 | 2 | Poppet |
| 2:2 | 58-6320 | 1 | Wiper |
| 2:3 | 60-5720 | 2 | O-Ring |
| 2:4 | 58-6340 | 2 | O-Ring |
| 2:5 | 93-6314 | 1 | O-Ring |
| 2:6 | 58-6370 | 2 | Washer |
| 2:7 | 58-6450 | 2 | O-Ring |
| 2:8 | 58-6460 | 1 | Ring-Retaining |
| 3 | 58-6310 | 1 | Spacer |
| 4 | | 1 | Spool |
| 5 | 58-6330 | 1 | Seat |
| 5:1 | 58-6340 | 1 | O-Ring |
| 6 | 58-6350 | 1 | Plug |
| 6:1 | 60-5720 | 1 | O-Ring |
| 6:2 | 58-6370 | 1 | Washer |
| 7 | 69-1800 | 1 | Plug ASM |
| 7:1 | 60-5720 | 1 | O-Ring |
| 7:2 | 58-6370 | 1 | Washer |
| 8 | 58-6400 | 1 | Bushing |
| 9 | 69-1810 | 1 | Spring |
| 10 | 58-6420 | 1 | Cap |
| 11 | 58-6770 | 1 | Plunger |

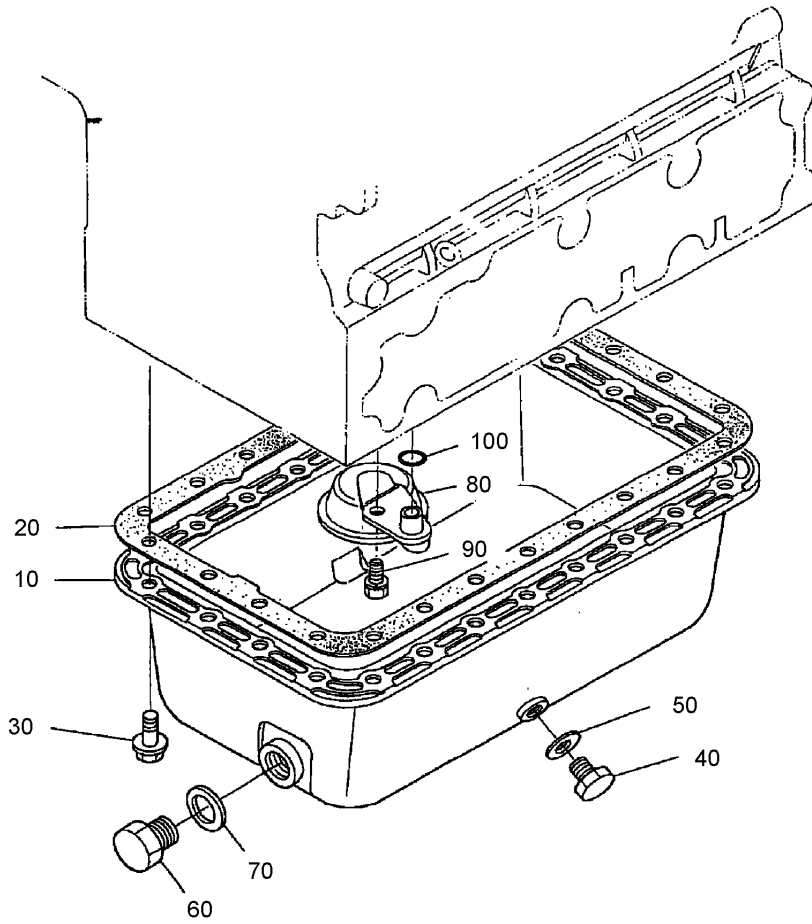
| Ref | Part No. | Qty. | Description |
|------|----------|------|-------------|
| 12 | | 1 | Body |
| 13 | 58-6780 | 1 | Plug |
| 13:1 | 58-6790 | 1 | O-Ring |
| 14 | 58-6730 | 1 | Spring |
| 17 | 58-6760 | 1 | Spring |
| 18 | 60-6450 | 1 | Disc |
| 19 | 353-508 | 1 | Plug |
| 19:1 | 237-42 | 1 | O-Ring |
| 20 | 65-2770 | 1 | Washer |



Crankcase Assembly

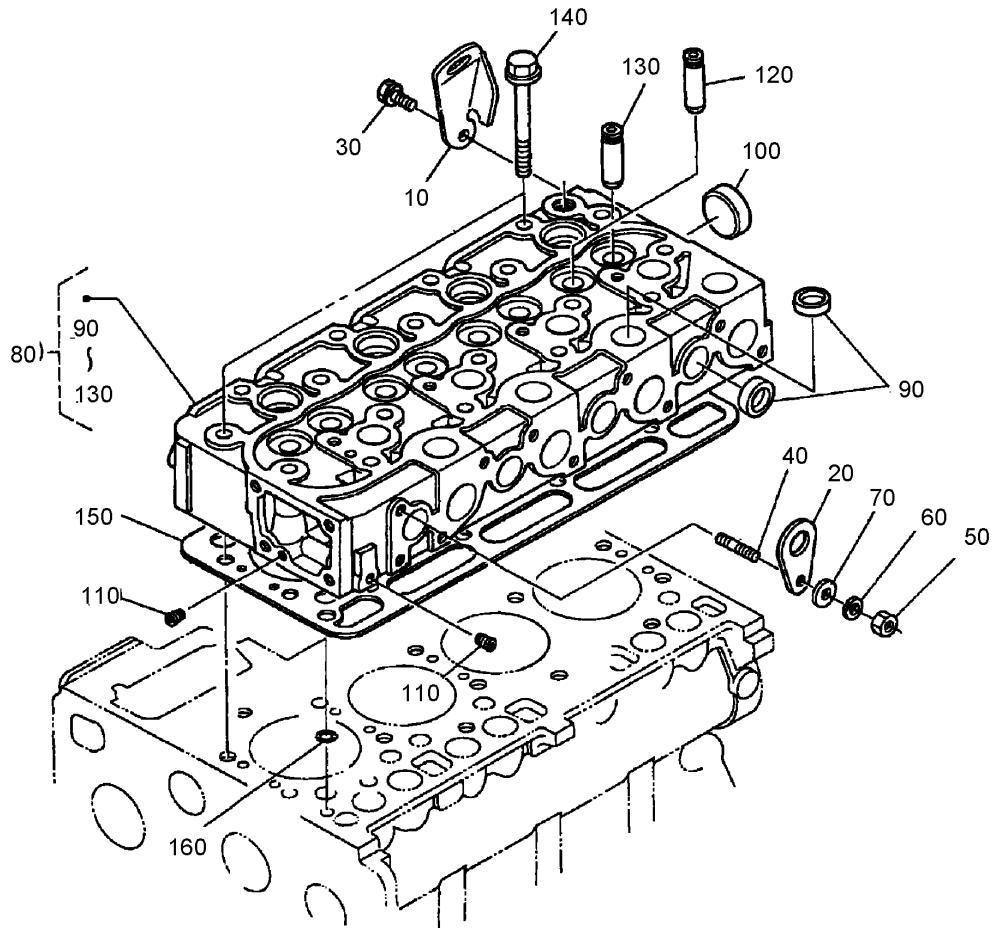
| Ref | Part No. | Qty. | Description |
|-----|----------|------|--------------------|
| 10 | 108-7051 | 1 | Crankcase |
| 20 | 98-7486 | 2 | Plug |
| 30 | 98-7487 | 6 | Plug |
| 40 | 107-0107 | 2 | Plug |
| 50 | 98-7489 | 3 | Plug |
| 60 | 98-9668 | 1 | Plug-Expansion |
| 70 | 98-7500 | 6 | Cap-Sealing |
| 80 | 98-7501 | 2 | Cap-Sealing |
| 90 | 98-7502 | 2 | Pin-Straight |
| 100 | 98-7503 | 2 | Pin-Straight |
| 110 | 98-7504 | 2 | Pin-Straight |
| 120 | 98-7505 | 1 | Pin-Straight |
| 130 | 98-7506 | 1 | Pin-Pipe |
| 140 | 98-7509 | 1 | O-Ring |
| 150 | 100-9153 | 1 | Pipe-Return, Water |

| | | | |
|--|--|--|--|
| | | | |
|--|--|--|--|



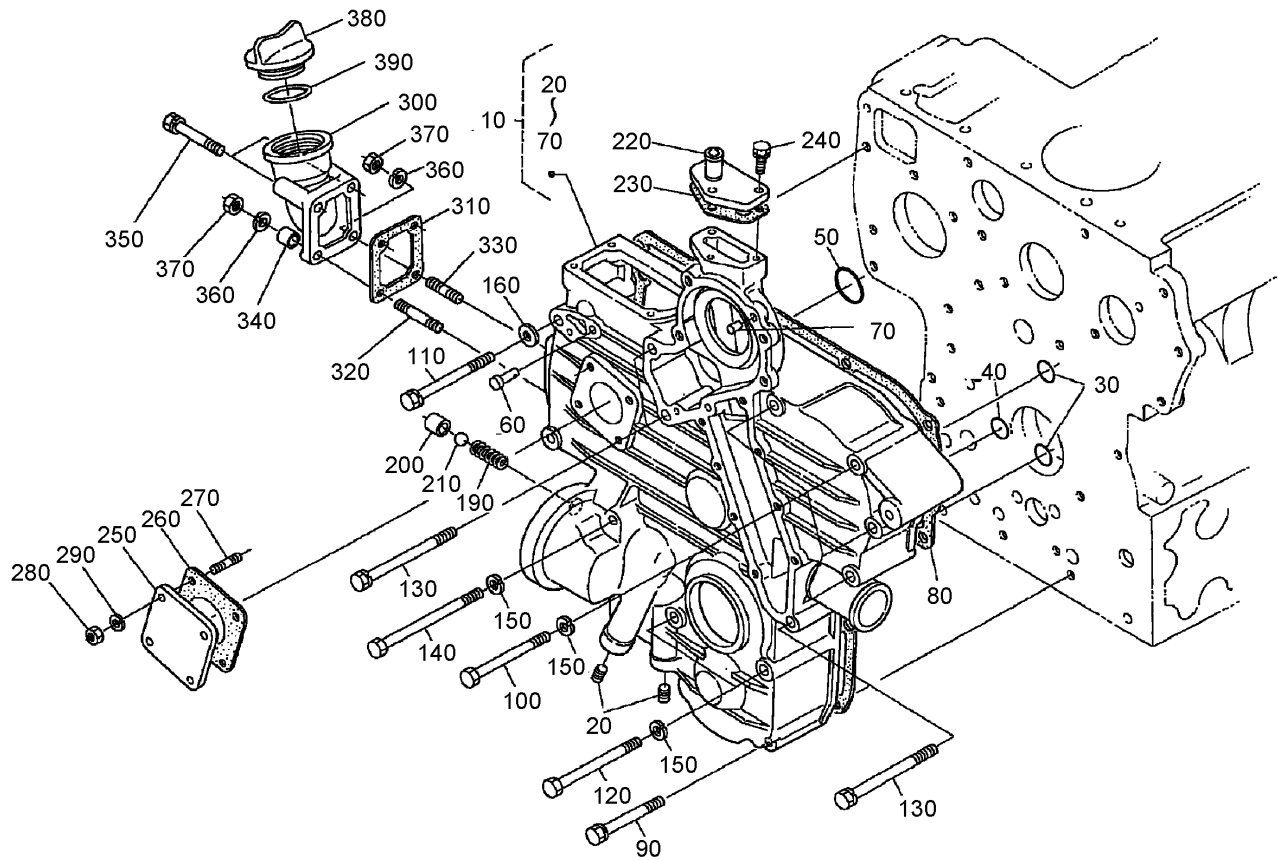
Oil Pan Assembly

| Ref | Part No. | Qty. | Description | | | | |
|-----|----------|------|-----------------|--|--|--|--|
| 10 | 98-7520 | 1 | Pan-Oil | | | | |
| 20 | 108-7053 | 1 | Gasket-Pan, Oil | | | | |
| 30 | 98-7522 | 24 | Bolt-Flange | | | | |
| 40 | 98-9386 | 1 | Plug | | | | |
| 50 | 98-7524 | 1 | Gasket | | | | |
| 60 | 98-7529 | 1 | Plug-Drain | | | | |
| 70 | 98-7528 | 1 | O-Ring | | | | |
| 80 | 98-7525 | 1 | Filter-Oil | | | | |
| 90 | 98-7526 | 1 | Bolt | | | | |
| 100 | 108-7054 | 1 | O-Ring | | | | |



Cylinder Head Assembly

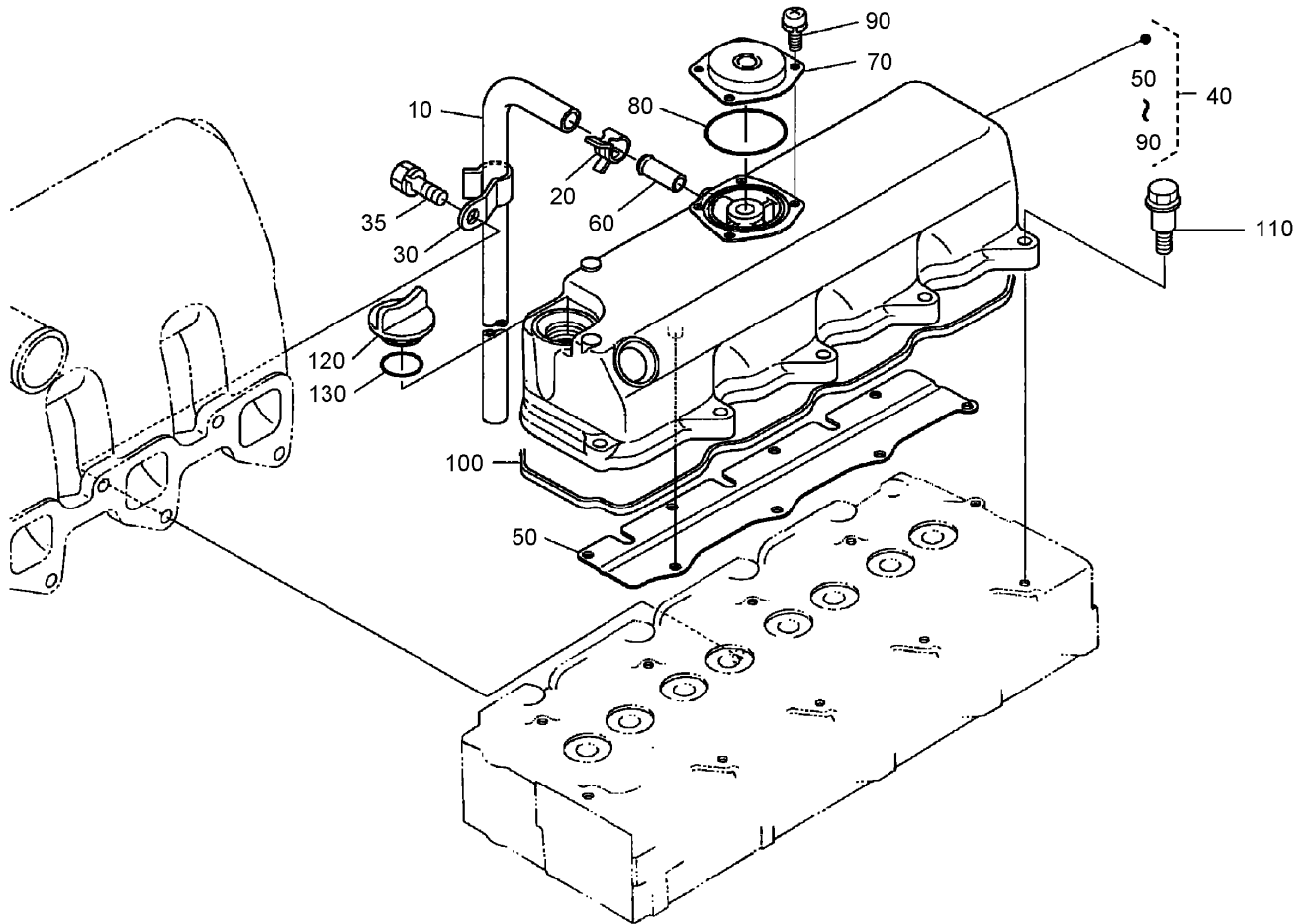
| Ref | Part No. | Qty. | Description |
|-----|----------|------|-----------------------|
| 10 | 98-7530 | 1 | Hook-Engine |
| 20 | 98-7531 | 1 | Hook-Engine |
| 30 | 98-7526 | 1 | Bolt |
| 40 | 98-7533 | 2 | *obs* Stud |
| 50 | 100-1559 | 1 | Nut-Manifold, Exhaust |
| 60 | 105-2893 | 1 | Washer-Spring |
| 70 | 98-7536 | 1 | Washer-Plain |
| 80 | 108-7055 | 1 | Head-Cylinder |
| 90 | 98-7538 | 12 | Cap-Sealing |
| 100 | 98-7539 | 1 | Cap-Sealing |
| 110 | 98-7540 | 2 | Plug |
| 120 | 98-7541 | 4 | Guide-Valve, Intake |
| 130 | 98-7542 | 4 | Guide-Valve, Exhaust |
| 140 | 98-7543 | 18 | Bolt-Head, Cylinder |
| 150 | 100-9160 | 1 | Gasket-Head, Cylinder |
| 160 | 98-7509 | 1 | O-Ring |



Gear Case Assembly

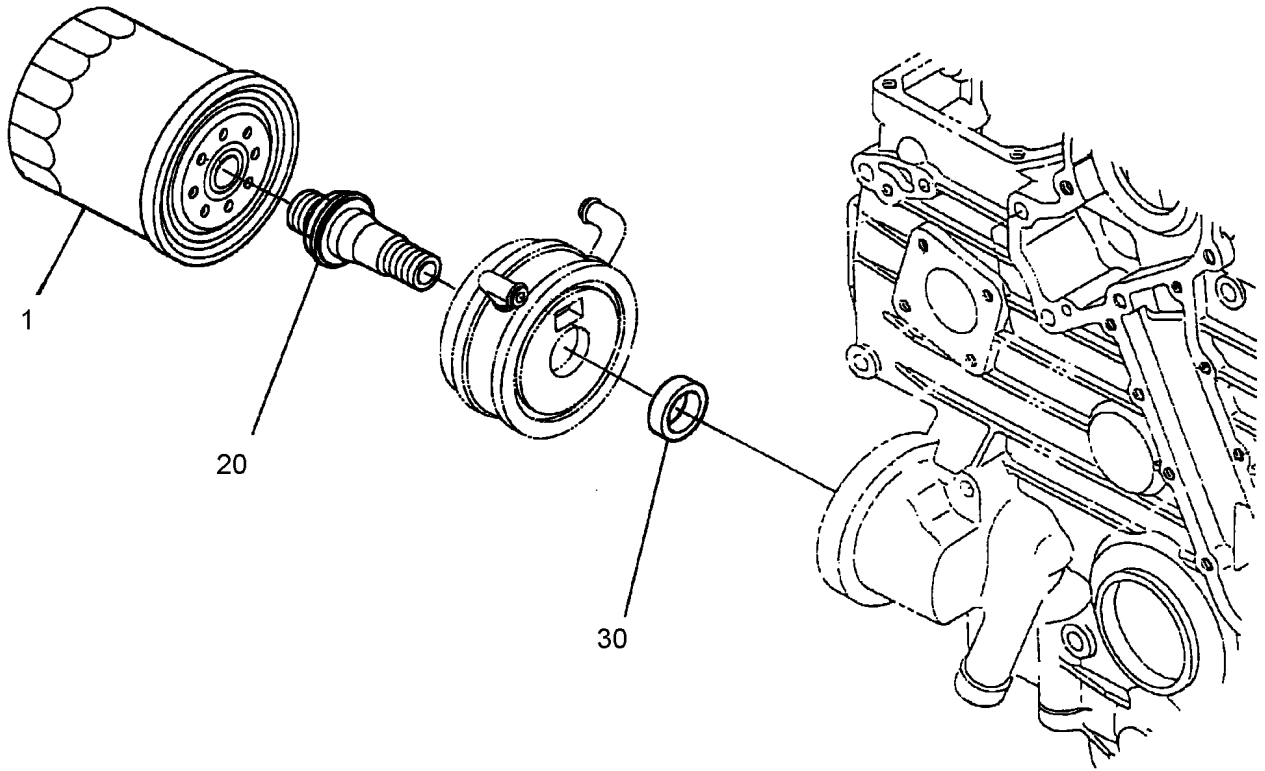
| Ref | Part No. | Qty. | Description |
|-----|----------|------|----------------------|
| 10 | 100-9161 | 1 | Gearcase ASM |
| 20 | 107-0108 | 2 | Plug |
| 30 | 107-0104 | 2 | O-Ring |
| 40 | 107-0105 | 1 | O-Ring |
| 50 | 107-0106 | 1 | O-Ring |
| 60 | 98-7550 | 1 | Pin-Spring, Start |
| 70 | 98-7504 | 2 | Pin-Straight |
| 80 | 98-7552 | 1 | Packing-Case, Gear |
| 90 | 98-7553 | 2 | Bolt |
| 100 | 99-8336 | 5 | Bolt |
| 110 | 98-7555 | 1 | Bolt |
| 120 | 98-7556 | 2 | Bolt |
| 130 | 98-7557 | 3 | Bolt |
| 140 | 98-7558 | 2 | Bolt |
| 150 | 105-2893 | 9 | Washer-Spring |
| 160 | 98-7536 | 1 | Washer-Plain |
| 190 | 98-7563 | 1 | Spring |
| 200 | 98-7564 | 1 | Seat-Valve |
| 210 | 98-7565 | 1 | Ball |
| 220 | 98-7566 | 1 | Flange-Return, Water |
| 230 | 98-7567 | 1 | Gasket |
| 240 | 98-7568 | 3 | Bolt |
| 250 | 98-7569 | 1 | Cover |
| 260 | 98-7570 | 1 | Gasket-Meter, Hour |

| Ref | Part No. | Qty. | Description |
|-----|----------|------|--------------------|
| 270 | 98-7571 | 4 | Stud |
| 280 | 98-7572 | 4 | Nut |
| 290 | 98-7699 | 4 | Washer-Spring |
| 300 | 100-9162 | 1 | Flange-Filter, Oil |
| 310 | 100-9163 | 1 | Gasket |
| 320 | 98-7571 | 1 | Stud |
| 330 | 100-9164 | 1 | Stud |
| 340 | 100-9165 | 1 | Collar |
| 350 | 107-9073 | 2 | Bolt |
| 360 | 98-7699 | 2 | Washer-Spring |
| 370 | 98-7572 | 2 | Nut |
| 380 | 98-7429 | 1 | Plug-Filter, Oil |
| 390 | 108-7064 | 1 | O-Ring |



Head Cover Assembly

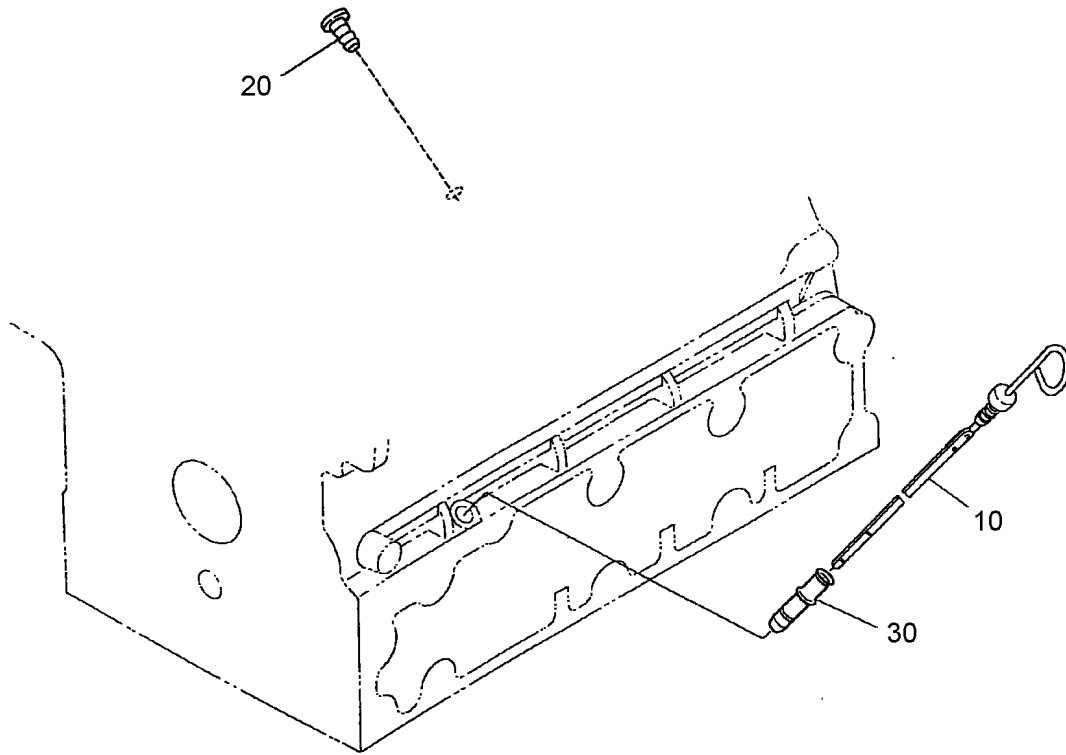
| Ref | Part No. | Qty. | Description |
|-----|----------|------|-------------------------|
| 10 | 108-7056 | 1 | Tube-Breather |
| 20 | 108-2859 | 1 | Clamp-Hose |
| 30 | 108-7057 | 1 | Clamp-Tube, Breather |
| 35 | 98-7610 | 1 | Bolt |
| 40 | 108-7058 | 1 | Cylinder Head Cover ASM |
| 50 | 108-7059 | 1 | Shield-Breather |
| 60 | 98-7766 | 1 | Pipe-Return, Water |
| 70 | 108-7060 | 1 | Cover-Breather |
| 80 | 108-7061 | 1 | O Ring-Breather |
| 90 | 98-9364 | 4 | Screw (With Washer) |
| 100 | 108-7062 | 1 | Gasket-Cover, Head |
| 110 | 108-7063 | 10 | Bolt |
| 120 | 98-7429 | 1 | Plug-Filter, Oil |
| 130 | 108-7064 | 1 | O-Ring |



Oil Filter Assembly

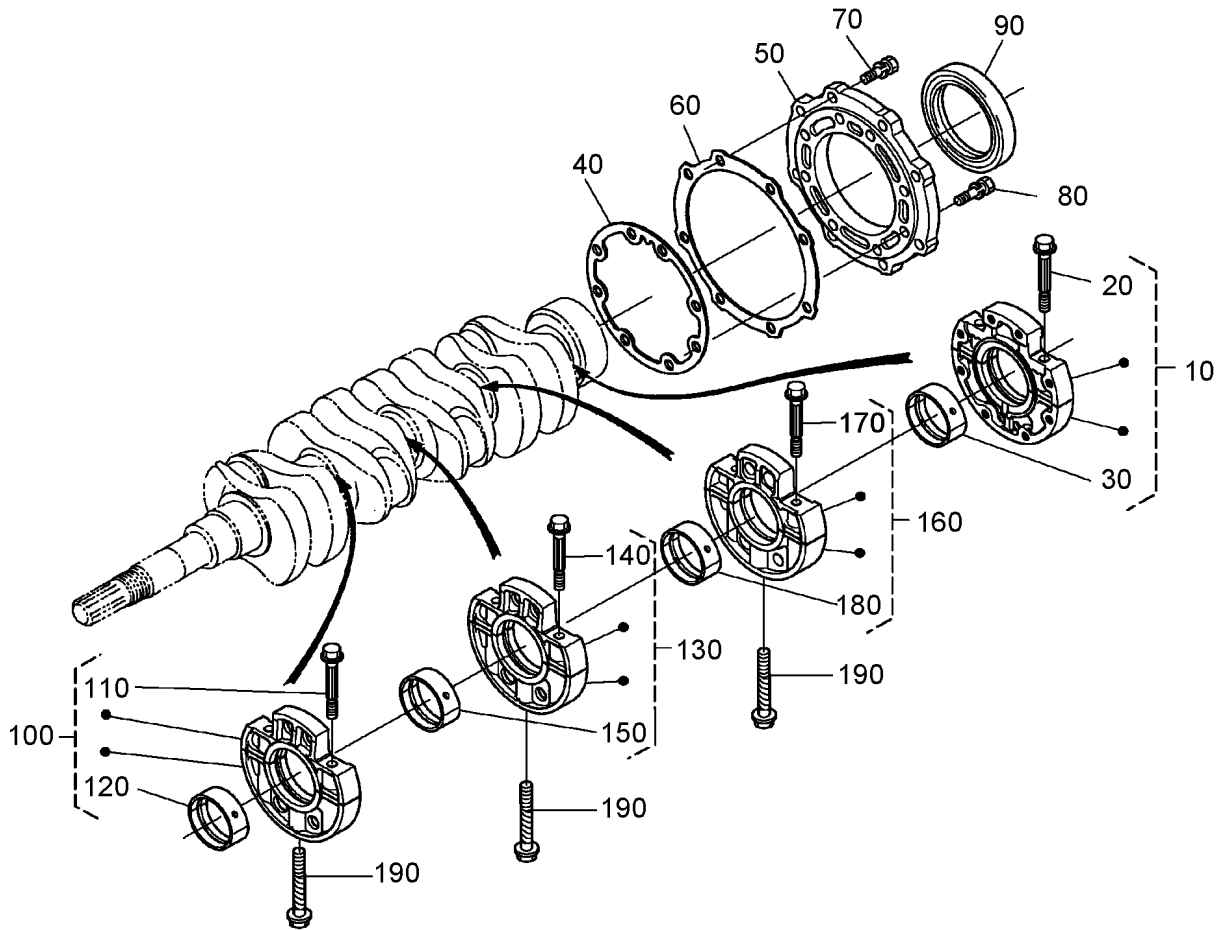
| Ref | Part No. | Qty. | Description |
|-----|----------|------|-------------|
| 1 | 104-5169 | 1 | Filter-Oil |
| 20 | 100-9166 | 1 | Connector |
| 30 | 100-9167 | 1 | Collar |

| | | | |
|--|--|--|--|
| | | | |
| | | | |
| | | | |
| | | | |
| | | | |
| | | | |
| | | | |
| | | | |
| | | | |
| | | | |



Dipstick and Guide Assembly

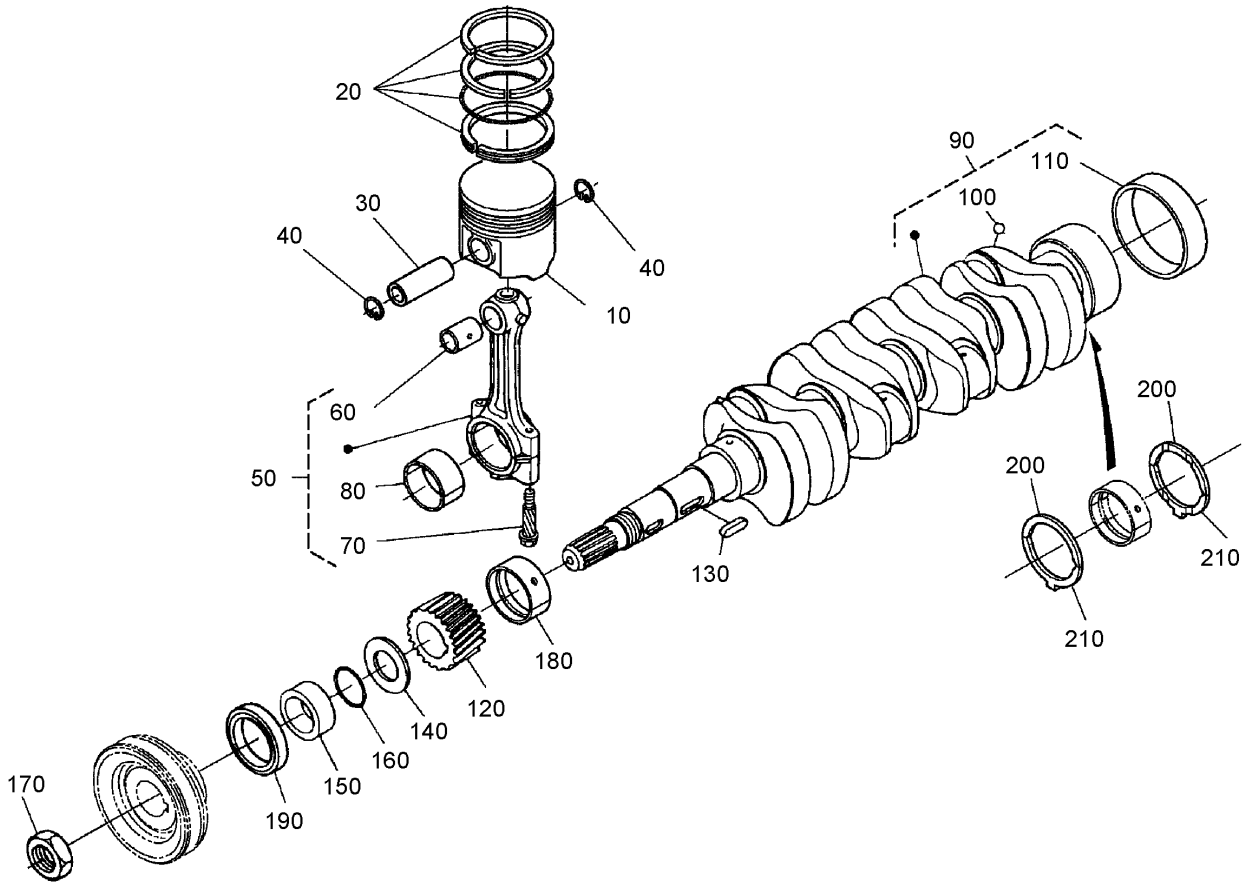
| Ref | Part No. | Qty. | Description | | | | |
|-----|----------|------|-----------------|--|--|--|--|
| 10 | 105-4579 | 1 | Gauge-Oil | | | | |
| 20 | 100-9169 | 1 | Plug-Gauge, Oil | | | | |
| 30 | 105-4580 | 1 | Guide | | | | |



Main Bearing Case

| Ref | Part No. | Qty. | Description |
|-----|----------|------|----------------------------|
| 10 | 108-7065 | 1 | Wheel Bearing Case ASM |
| 20 | 108-7066 | 2 | Bolt-Case, Bearing |
| 30 | 108-7069 | 1 | Metal-Crankshaft (-0.40Mm) |
| 30 | 108-7068 | 1 | Metal-Crankshaft (-0.20Mm) |
| 30 | 108-7067 | 1 | Metal-Crankshaft (STD) |
| 40 | 108-7070 | 1 | Gasket-Case, Bearing |
| 50 | 108-7071 | 1 | Cover-Case, Bearing |
| 60 | 98-7437 | 1 | Gasket-Case Cover, Bearing |
| 70 | 98-7438 | 8 | Bolt |
| 80 | 98-7439 | 8 | Bolt |
| 90 | 108-7072 | 1 | Seal-Oil |
| 100 | 108-7073 | 1 | Main Bearing Case ASM |
| 110 | 108-7066 | 2 | Bolt-Case, Bearing |
| 120 | 108-7069 | 1 | Metal-Crankshaft (-0.40Mm) |
| 120 | 108-7068 | 1 | Metal-Crankshaft (-0.20Mm) |
| 120 | 108-7067 | 1 | Metal-Crankshaft (STD) |
| 130 | 108-7074 | 1 | Main Bearing Case ASM |
| 140 | 108-7066 | 2 | Bolt-Case, Bearing |
| 150 | 108-7067 | 1 | Metal-Crankshaft (STD) |
| 150 | 108-7068 | 1 | Metal-Crankshaft (-0.20Mm) |
| 150 | 108-7069 | 1 | Metal-Crankshaft (-0.40Mm) |
| 160 | 108-7097 | 1 | Main Bearing Case ASM |
| 170 | 108-7066 | 2 | Bolt-Case, Bearing |
| 180 | 108-7069 | 1 | Metal-Crankshaft (-0.40Mm) |

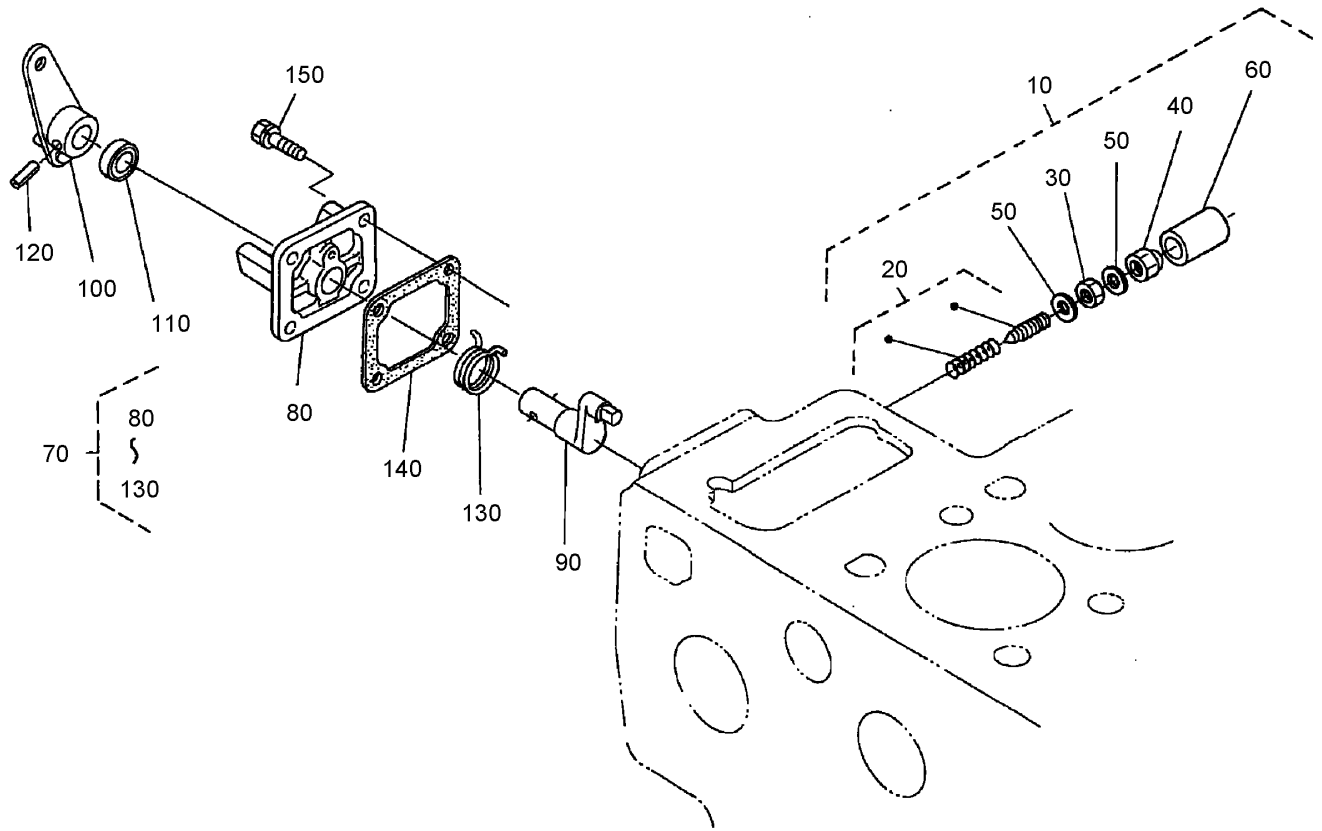
| Ref | Part No. | Qty. | Description |
|-----|----------|------|----------------------------|
| 180 | 108-7068 | 1 | Metal-Crankshaft (-0.20Mm) |
| 180 | 108-7067 | 1 | Metal-Crankshaft (STD) |
| 190 | 98-7444 | 3 | Bolt-Case, Bearing |



Piston and Crankshaft Assembly

| Ref | Part No. | Qty. | Description |
|-----|----------|------|----------------------------|
| 10 | 100-9181 | 4 | Piston-STD |
| 10 | 99-5435 | 1 | Piston (.50Mm) |
| 20 | 99-5436 | 1 | Piston Ring ASM (0.50Mm) |
| 20 | 100-9182 | 4 | Piston Ring ASM (STD) |
| 30 | 98-7464 | 4 | Pin-Piston |
| 40 | 98-7465 | 8 | Clip-Pin, Piston |
| 50 | 98-7466 | 4 | Connecting Rod ASM |
| 60 | 98-7467 | 4 | Bushing-Pin, Piston |
| 70 | 98-7468 | 8 | Bolt-Rod, Connecting |
| 80 | 98-7471 | 4 | Metal-Crankpin (-0.40Mm) |
| 80 | 98-7470 | 4 | Metal-Crankpin (-0.20Mm) |
| 80 | 98-7469 | 4 | Metal-Crankpin (STD) |
| 90 | 98-7472 | 1 | Crankshaft-Complete |
| 100 | 98-7473 | 4 | Ball |
| 110 | 98-7474 | 1 | Sleeve-Crankshaft |
| 120 | 98-7475 | 1 | Gear-Crankshaft |
| 130 | 98-7451 | 1 | Key-Feather |
| 140 | 98-7476 | 1 | Slinger-Oil |
| 150 | 98-7477 | 1 | Collar-Crankshaft |
| 160 | 98-7478 | 1 | O-Ring |
| 170 | 98-7479 | 1 | Nut-Crankshaft |
| 180 | 108-7077 | 1 | Metal-Crankshaft (-0.40Mm) |
| 180 | 108-7076 | 1 | Metal-Crankshaft (-0.20Mm) |
| 180 | 108-7075 | 1 | Metal-Crankshaft (STD) |

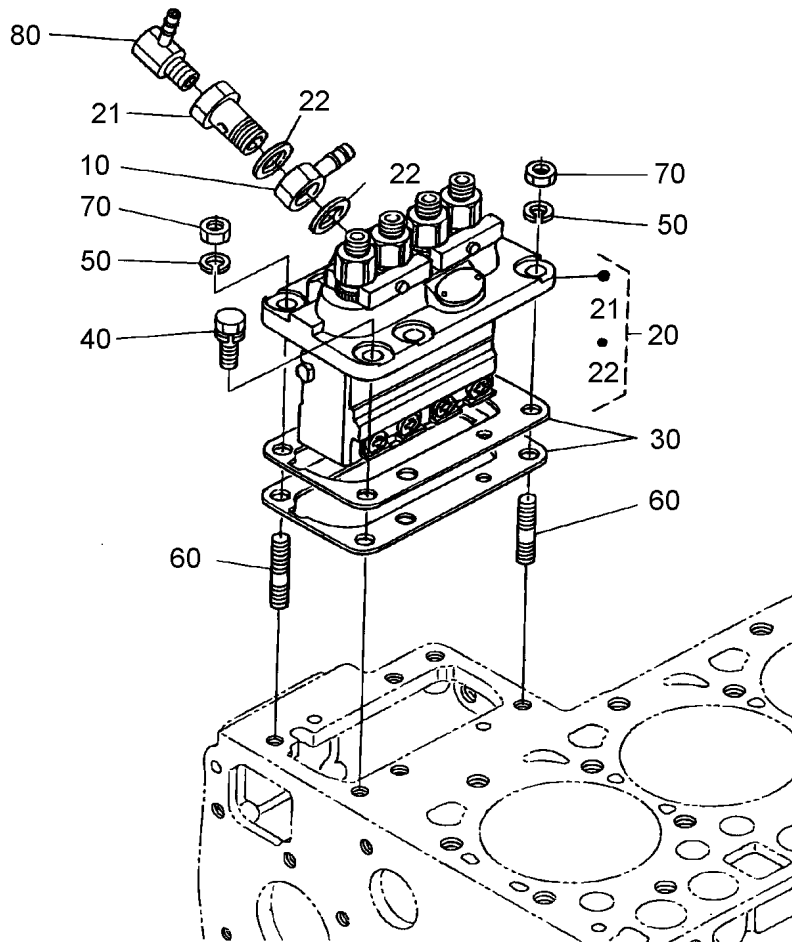
| Ref | Part No. | Qty. | Description |
|-----|----------|------|----------------------|
| 190 | 98-7480 | 1 | Seal-Oil |
| 200 | 108-7080 | 2 | Metal-Side (+0.40Mm) |
| 200 | 108-7079 | 2 | Metal-Side (+0.20Mm) |
| 200 | 108-7078 | 2 | Metal-Side (STD) |
| 210 | 108-7083 | 2 | Metal-Side (+0.40Mm) |
| 210 | 108-7082 | 2 | Metal-Side (+0.20Mm) |
| 210 | 108-7081 | 2 | Metal-Side (STD) |



Engine Stop Lever Assembly

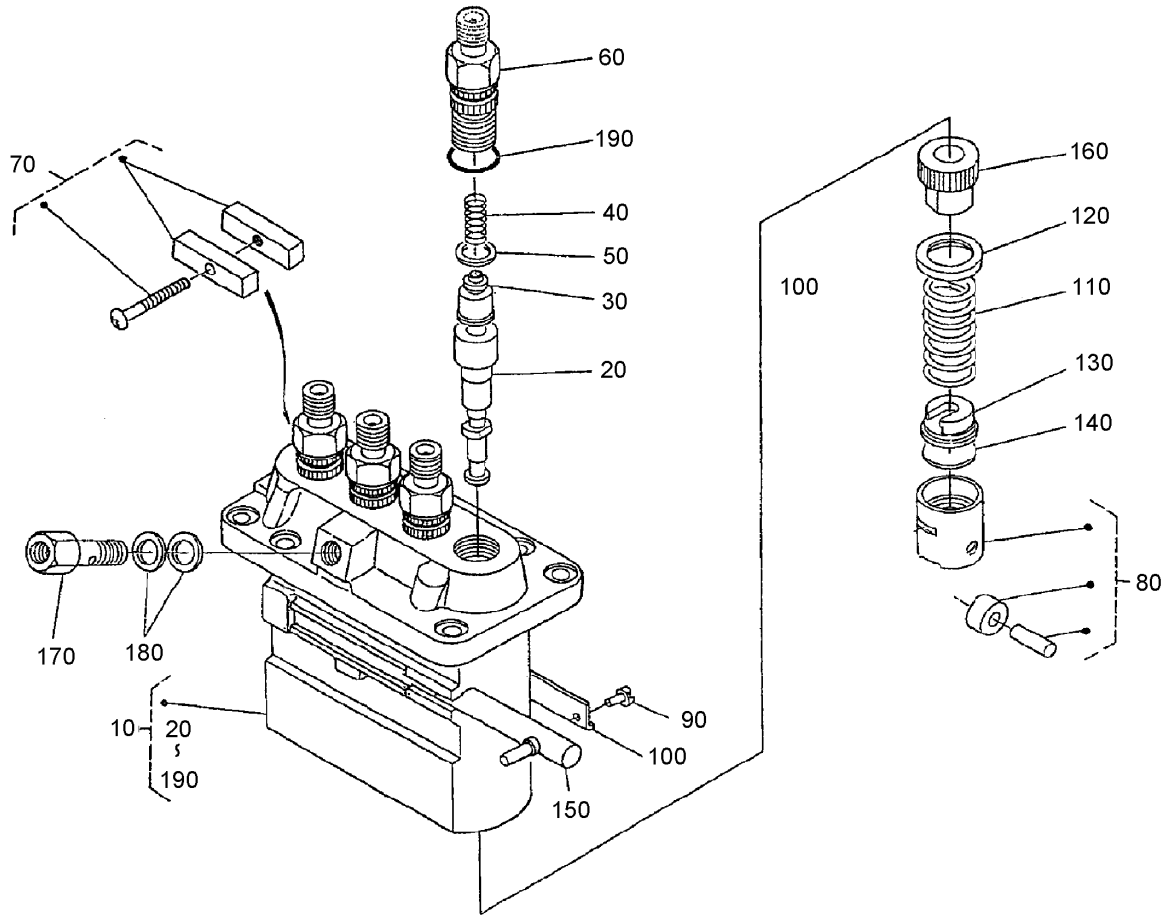
| Ref | Part No. | Qty. | Description |
|-----|----------|------|-----------------------|
| 10 | 98-7591 | 1 | I/D Appartus ASM |
| 20 | 98-7592 | 1 | Adjusting Bolt ASM |
| 30 | 98-7593 | 1 | Nut |
| 40 | 98-7594 | 1 | Nut-Cap |
| 50 | 98-7428 | 2 | Gasket |
| 60 | 98-7596 | 1 | Cap |
| 70 | 100-9198 | 1 | Engine Stop Lever ASM |
| 80 | 98-7598 | 1 | Cover-Pump, Injection |
| 90 | 100-9200 | 1 | Shaft-Lever |
| 100 | 98-7600 | 1 | Lever-Stop, Engine |
| 110 | 98-7601 | 1 | Seal-Oil |
| 120 | 98-7602 | 1 | Pin-Spring |
| 130 | 98-7603 | 1 | Spring-Return |
| 140 | 98-7604 | 1 | Gasket-Cover, Pump |
| 150 | 98-7605 | 4 | Bolt |

| | | | |
|--|--|--|--|
| | | | |
|--|--|--|--|



Injection Pump Assembly

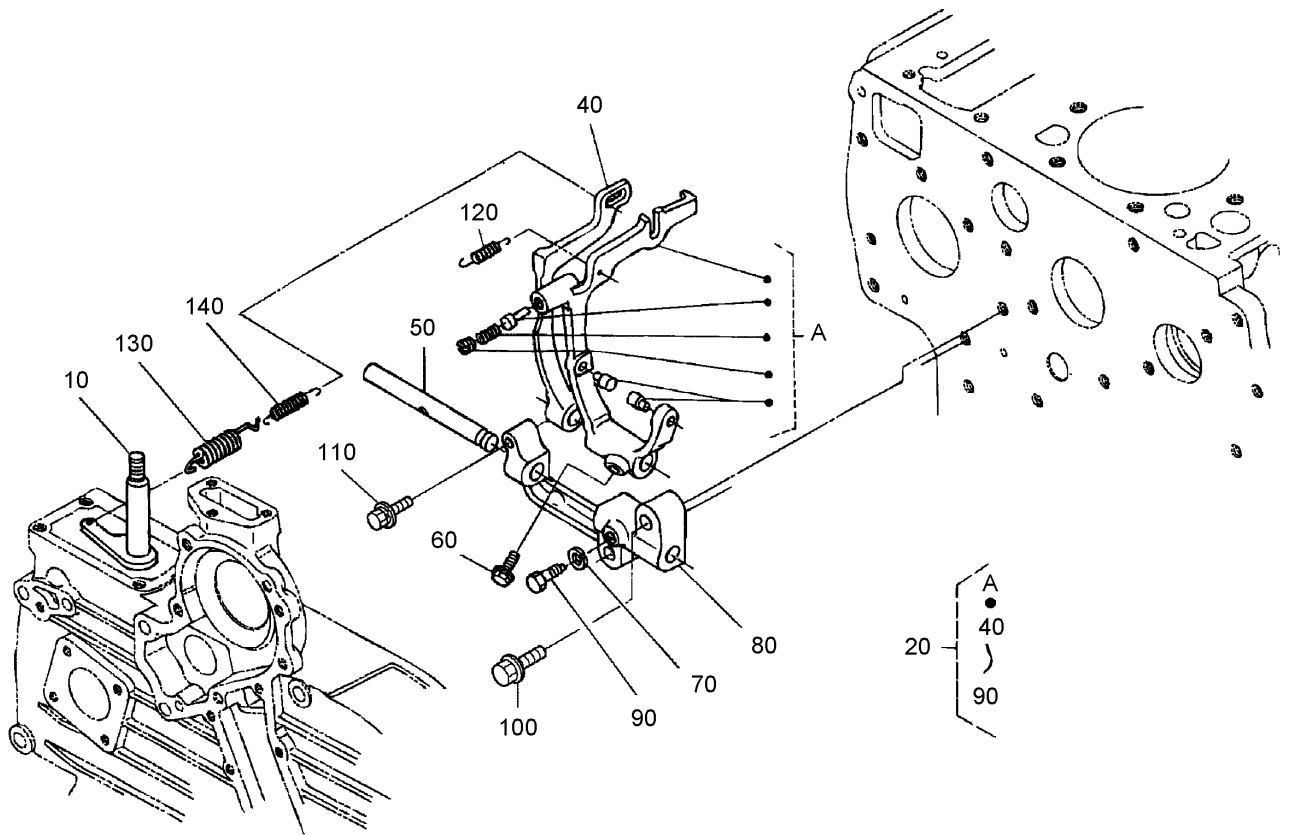
| Ref | Part No. | Qty. | Description |
|-----|----------|------|------------------------|
| 10 | 98-7617 | 1 | Joint |
| 20 | 100-9201 | 1 | Injection Pump ASM |
| 21 | 98-7635 | 1 | Screw |
| 22 | 98-7636 | 2 | Gasket |
| 30 | 98-7609 | 1 | Shim-Pump, Injection |
| 30 | 98-7608 | 1 | Shim |
| 30 | 98-7607 | 1 | Shim |
| 40 | 98-7610 | 4 | Bolt |
| 50 | 105-2893 | 2 | Washer-Spring |
| 60 | 100-1558 | 2 | Stud-Manifold, Exhaust |
| 70 | 98-7534 | 2 | Nut |
| 80 | 107-4300 | 1 | Orifice ASM |



Injection Pump (Component Part) Assembly

| Ref | Part No. | Qty. | Description |
|-----|----------|------|------------------------|
| 10 | 100-9201 | 1 | Injection Pump ASM |
| 20 | 98-7619 | 4 | Plunger-Pump |
| 30 | 98-7620 | 4 | Valve-Delivery |
| 40 | 98-7621 | 4 | Spring-Valve, Delivery |
| 50 | 98-7622 | 4 | Gasket-Valve, Delivery |
| 60 | 98-7623 | 4 | Holder-Valve, Delivery |
| 70 | 98-7624 | 2 | Lock Plate ASM |
| 80 | 98-7625 | 4 | Tappet ASM |
| 90 | 98-7626 | 4 | Pin-Guide, Tappet |
| 100 | 98-7627 | 2 | Plate |
| 110 | 98-7628 | 4 | Spring-Plunger |
| 120 | 98-7629 | 4 | Seat-Spring, Upper |
| 130 | 98-7630 | 4 | Seat-Spring, Lower |
| 140 | 98-7631 | 4 | Shim |
| 150 | 98-7632 | 1 | Rack-Control |
| 160 | 98-7634 | 4 | Sleeve-Control |
| 170 | 98-7635 | 1 | Screw |
| 180 | 98-7636 | 2 | Gasket |
| 190 | 98-7637 | 4 | O-Ring |

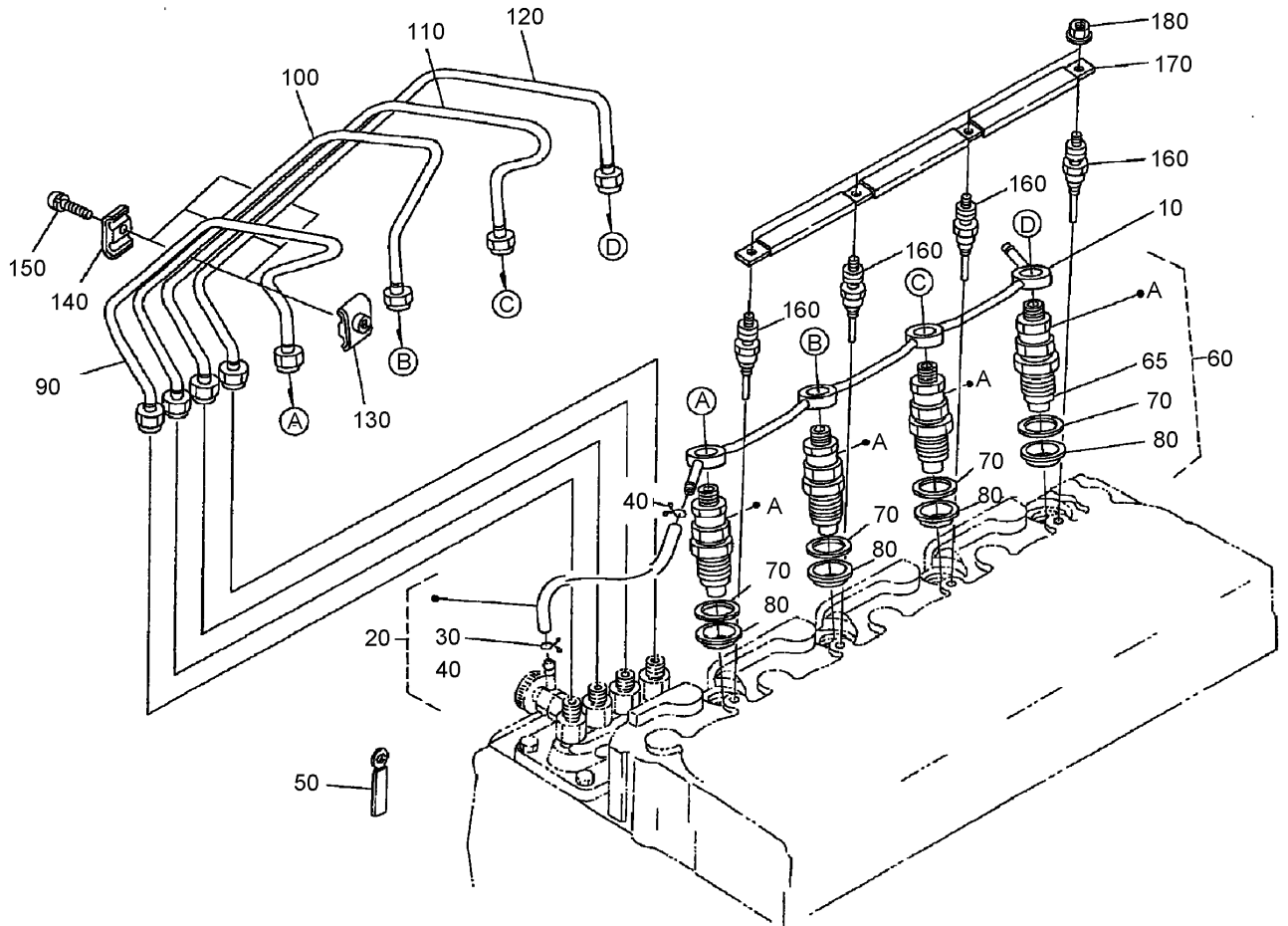
| | | | |
|--|--|--|--|
| | | | |
| | | | |
| | | | |
| | | | |



Governor Assembly

| Ref | Part No. | Qty. | Description |
|-----|----------|------|--------------------|
| 10 | 98-7638 | 1 | Lever-Governor |
| 20 | 100-9204 | 1 | Lever-Fork |
| 40 | 100-9206 | 1 | Lever-Fork |
| 50 | 107-0120 | 1 | Shaft-Lever, Fork |
| 60 | 107-0116 | 1 | Bolt-Flange |
| 70 | 98-7699 | 1 | Washer-Spring |
| 80 | 98-7643 | 1 | Holder-Lever, Fork |
| 90 | 98-7644 | 1 | Bolt |
| 100 | 108-7085 | 2 | Bolt-Flange |
| 110 | 108-7086 | 1 | Bolt |
| 120 | 100-9207 | 1 | Spring-Start |
| 130 | 100-9208 | 1 | Spring-Governor |
| 140 | 98-7651 | 1 | Spring-Governor |

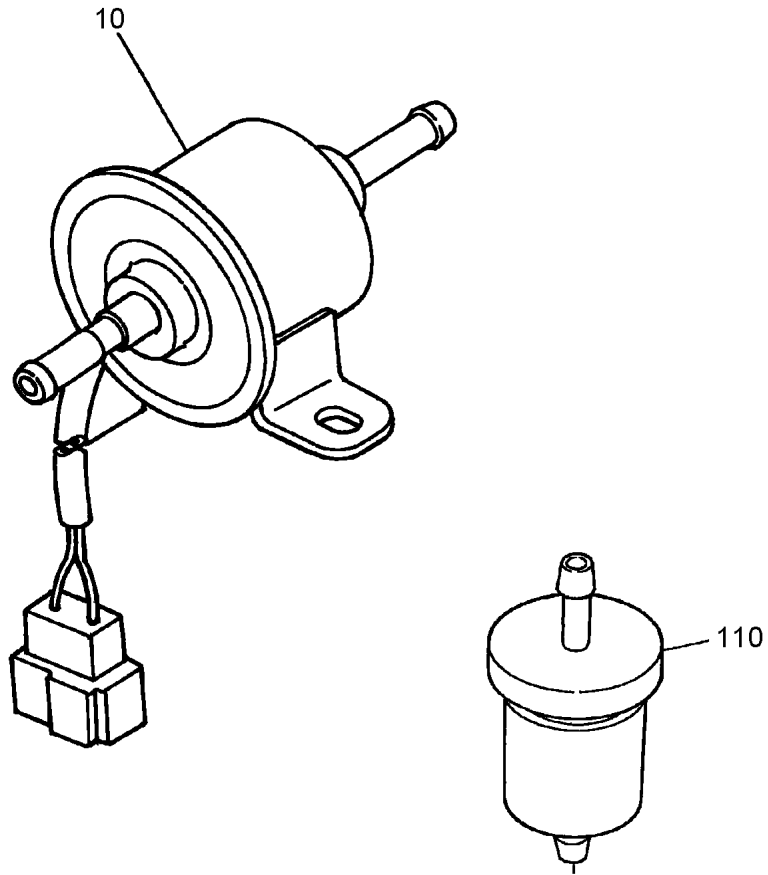
| | | | |
|--|--|--|--|
| | | | |
| | | | |
| | | | |
| | | | |



Nozzle Holder and Glow Plug Assembly

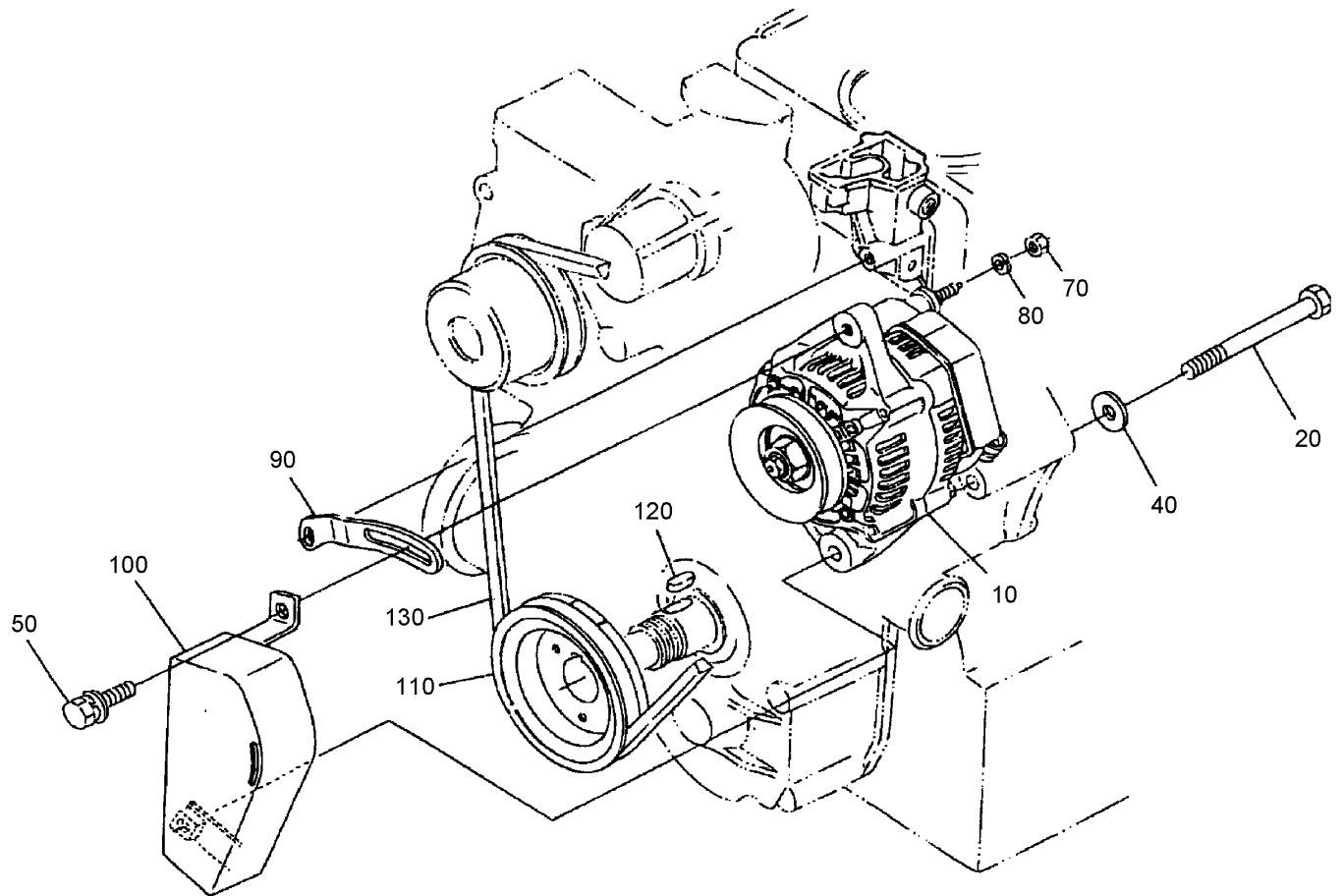
| Ref | Part No. | Qty. | Description |
|-----|----------|------|---------------------|
| 10 | 100-9213 | 1 | Overflow Pipe ASM |
| 20 | 98-7670 | 1 | Overflow Pipe ASM |
| 30 | 98-7671 | 1 | Clip-Pipe |
| 40 | 98-7672 | 1 | Clip-Pipe |
| 50 | 98-7673 | 1 | Clamp-Cord |
| 60 | 100-9214 | 1 | Nozzle Holder Kit |
| 65 | 100-9215 | 4 | Piece-Nozzle |
| 70 | 98-7676 | 4 | Gasket |
| 80 | 98-7677 | 4 | Seal-Heat |
| 90 | 100-9216 | 1 | Pipe-Injection |
| 100 | 100-9217 | 1 | Pipe-Injection |
| 110 | 100-9218 | 1 | Pipe-Injection |
| 120 | 100-9219 | 1 | Pipe-Injection |
| 130 | 98-7682 | 3 | Clamp-Pipe |
| 140 | 98-7683 | 3 | Clamp-Pipe |
| 150 | 98-9364 | 3 | Screw (With Washer) |
| 160 | 98-7685 | 4 | Plug-Glow |
| 170 | 98-7686 | 1 | Cord-Plug, Glow |
| 180 | 99-8377 | 4 | Nut-Flange |

| | | | |
|--|--|--|--|
| | | | |
|--|--|--|--|



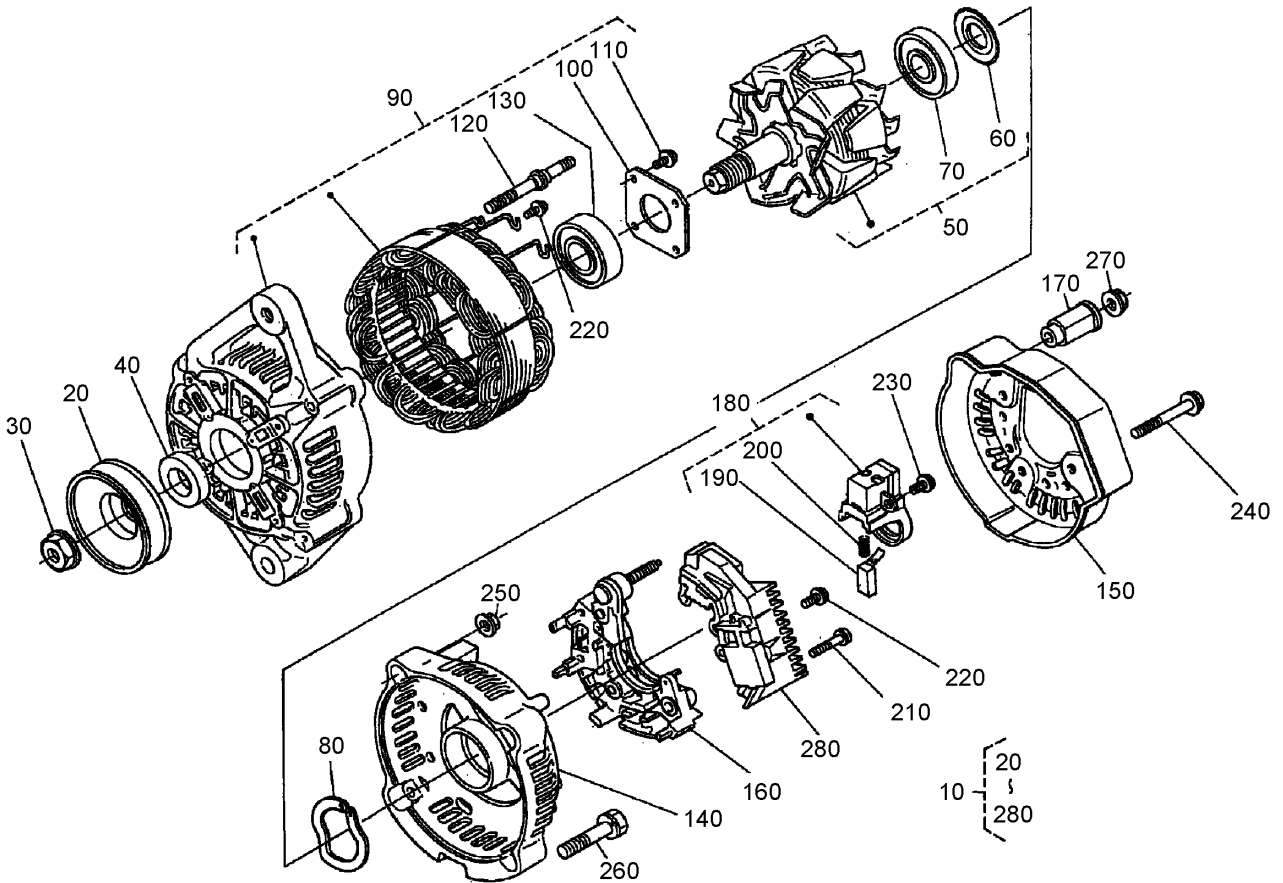
Fuel Filter and Fuel Pump

| Ref | Part No. | Qty. | Description |
|-----|----------|------|---------------------|
| 10 | 107-0122 | 1 | Pump-Fuel, Electric |
| 110 | 98-7612 | 1 | Filter-Fuel |



Alternator and Pulley Assembly

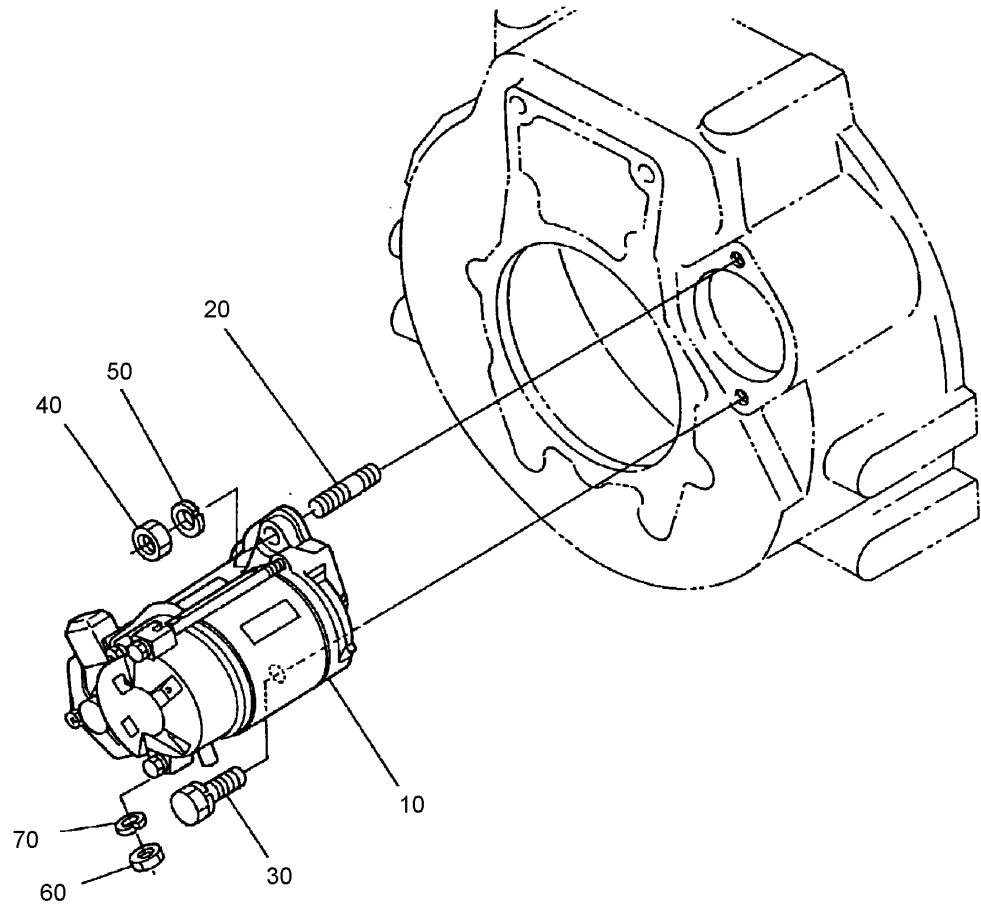
| Ref | Part No. | Qty. | Description |
|-----|----------|------|--------------------|
| 10 | 98-7693 | 1 | Alternator ASM |
| 20 | 98-7695 | 1 | Bolt |
| 40 | 98-9366 | 1 | Washer-Plain |
| 50 | 108-7088 | 1 | Bolt |
| 70 | 98-7572 | 1 | Nut |
| 80 | 98-7699 | 1 | Washer-Spring |
| 90 | 105-2872 | 1 | Bracket-Alternator |
| 100 | 98-7701 | 1 | Cover-Belt |
| 110 | 106-2044 | 1 | Pulley-Drive, Fan |
| 120 | 98-7451 | 1 | Key-Feather |
| 130 | 98-7705 | 1 | V-Belt |



Alternator (Component Part) Assembly

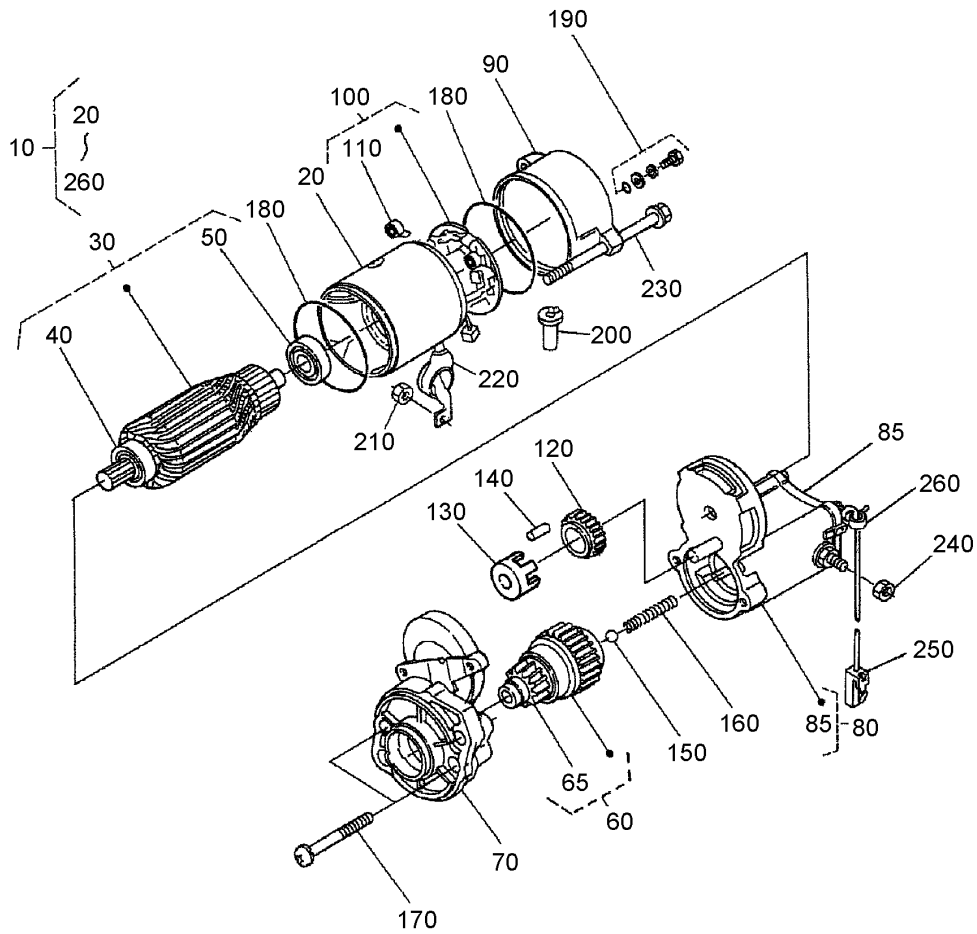
| Ref | Part No. | Qty. | Description |
|-----|----------|------|---------------------|
| 10 | 107-0145 | 1 | Alternator ASM |
| 20 | 98-7707 | 1 | Pulley-Alternator |
| 30 | 98-7708 | 1 | Nut |
| 40 | 98-7709 | 1 | Collar |
| 50 | 107-0136 | 1 | Rotor |
| 60 | 98-7711 | 1 | Cover-Bearing |
| 70 | 107-0138 | 1 | Bearing-Ball |
| 80 | 98-7713 | 1 | Washer-Thrust |
| 90 | 107-0139 | 1 | Drive End Frame ASM |
| 100 | 98-7715 | 1 | Plate-Retainer |
| 110 | 98-7716 | 4 | Screw-Head, Round |
| 120 | 98-7717 | 2 | Bolt-Through |
| 130 | 107-0137 | 1 | Bearing-Ball |
| 140 | 98-7719 | 1 | Frame-End |
| 150 | 107-0140 | 1 | Cover-End |
| 160 | 98-7721 | 1 | Rectifier ASM |
| 170 | 98-7722 | 1 | Bushing-Insulation |
| 180 | 107-0141 | 1 | Holder-Brush |
| 190 | 98-7724 | 2 | Brush |
| 200 | 98-7725 | 2 | Spring-Brush |
| 210 | 98-7726 | 2 | Screw-Head, Round |
| 220 | 98-7727 | 6 | Screw-Head, Round |
| 230 | 98-7728 | 1 | Screw-Head, Round |
| 240 | 98-7729 | 3 | Bolt |

| Ref | Part No. | Qty. | Description |
|-----|----------|------|---------------|
| 250 | 98-7730 | 2 | Nut |
| 260 | 98-7731 | 2 | Bolt |
| 270 | 98-7732 | 1 | Nut |
| 280 | 107-9088 | 1 | Regulator ASM |



Starter Assembly

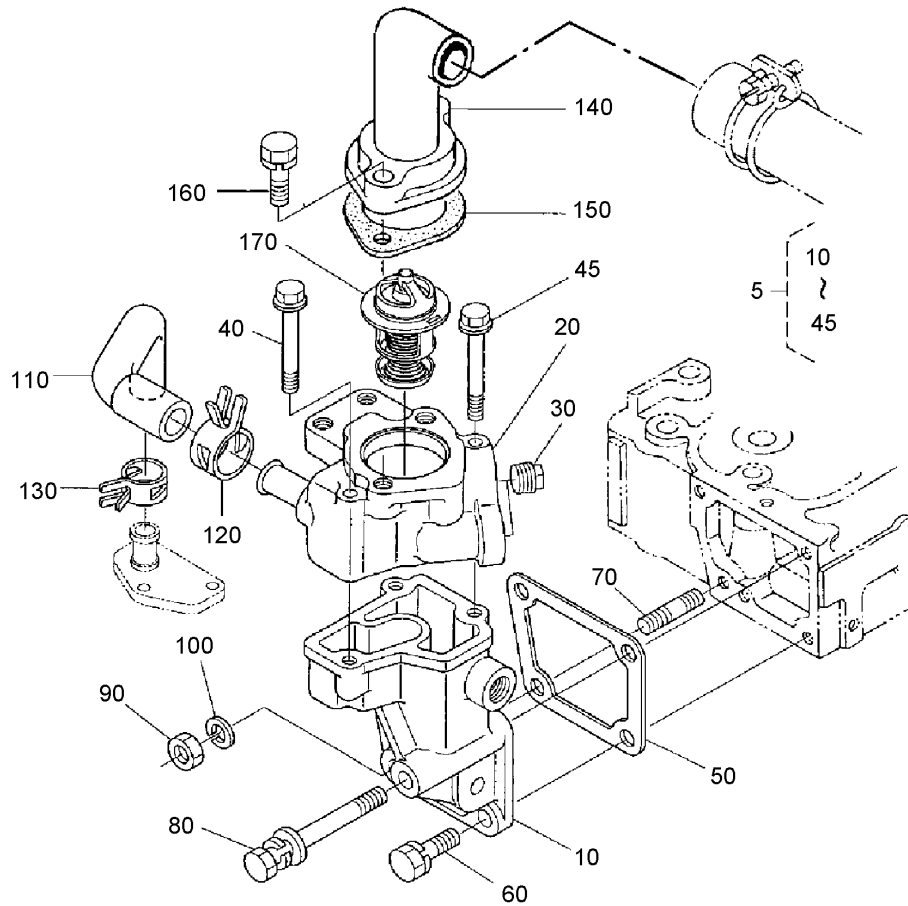
| Ref | Part No. | Qty. | Description |
|-----|----------|------|---------------|
| 10 | 100-9237 | 1 | Starter ASM |
| 20 | 98-7735 | 1 | Stud |
| 30 | 98-7736 | 1 | Bolt |
| 40 | 98-7737 | 1 | Nut |
| 50 | 98-7738 | 1 | Washer-Spring |
| 60 | 98-7739 | 1 | Nut |
| 70 | 105-2893 | 1 | Washer-Spring |



Starter (Component Part) Assembly

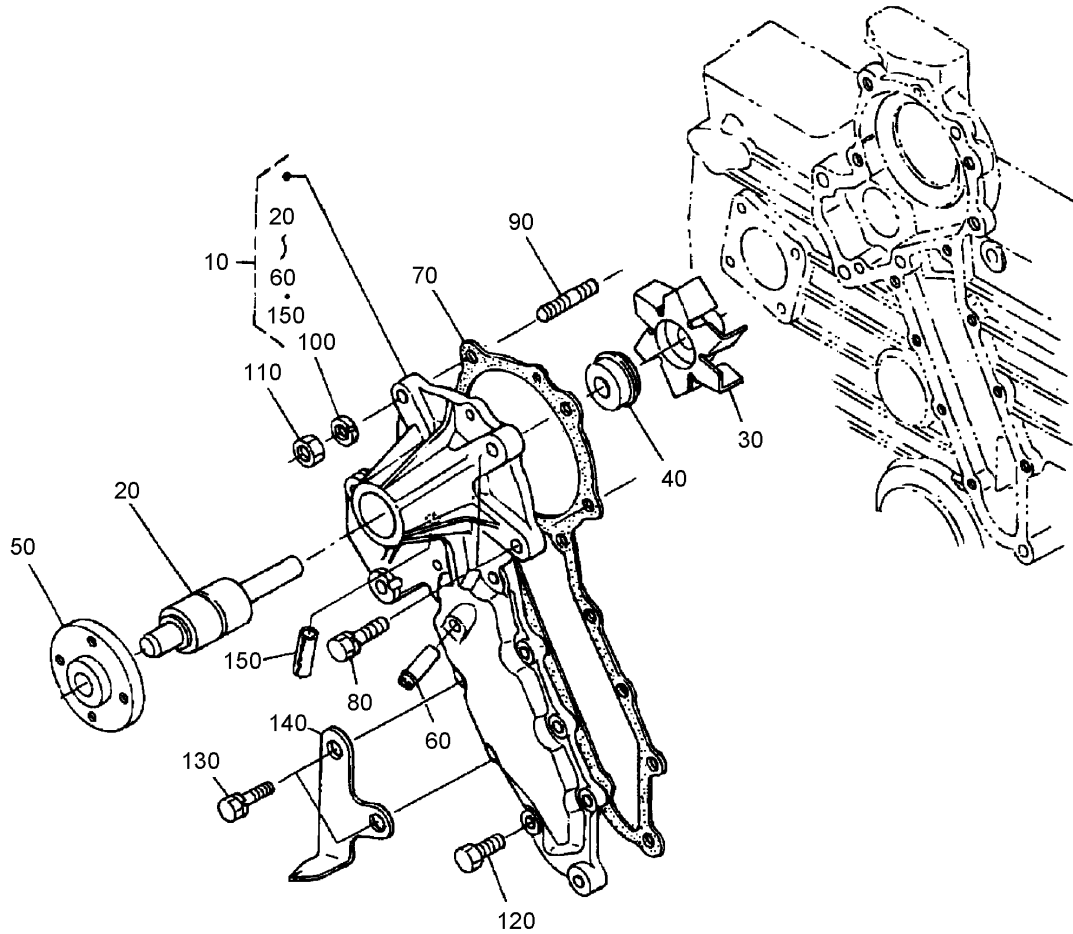
| Ref | Part No. | Qty. | Description |
|-----|----------|------|----------------------|
| 10 | 100-9237 | 1 | Starter ASM |
| 20 | 104-8608 | 1 | Yoke ASM |
| 30 | 98-7742 | 1 | Armature ASM |
| 40 | 98-7744 | 1 | Bearing |
| 50 | 98-7743 | 1 | Bearing |
| 60 | 98-7745 | 1 | Clutch-Running, Over |
| 65 | 105-2887 | 1 | Pinion-Bevel |
| 70 | 98-7746 | 1 | Frame-End, Drive |
| 80 | 100-9239 | 1 | Magnetic Switch ASM |
| 85 | 105-2886 | 1 | Cover ASM |
| 90 | 98-7748 | 1 | Frame-End |
| 100 | 98-7749 | 1 | Brush Holder ASM |
| 110 | 98-7750 | 4 | Spring-Brush |
| 120 | 98-7751 | 1 | Gear |
| 130 | 98-7752 | 1 | Retainer |
| 140 | 98-7753 | 5 | Roller |
| 150 | 98-7755 | 1 | Ball |
| 160 | 98-7754 | 1 | Spring |
| 170 | 98-7756 | 2 | Bolt |
| 180 | 98-7757 | 2 | O-Ring |
| 190 | 98-7758 | 2 | Bolt ASM |
| 200 | 98-7759 | 1 | Pipe-Drain |
| 210 | 99-8371 | 1 | Nut-Hex |
| 220 | 99-8375 | 1 | Cover |

| Ref | Part No. | Qty. | Description |
|-----|----------|------|---------------------|
| 230 | 100-9240 | 2 | Bolt |
| 240 | 99-8376 | 1 | Nut-Hex |
| 250 | 98-9711 | 1 | Cord-Solenoid, Stop |
| 260 | 98-9712 | 1 | Band-Cover |



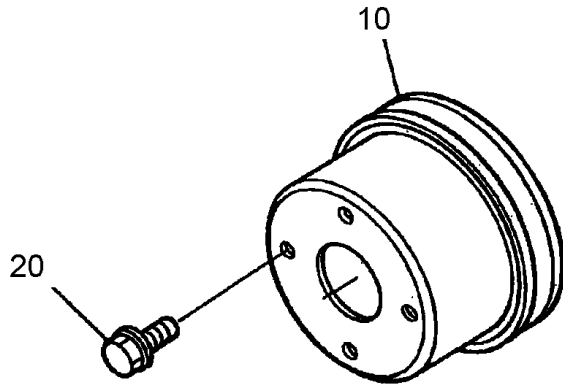
Water Flange and Thermostat Assembly

| Ref | Part No. | Qty. | Description | | | | |
|-----|----------|------|------------------------|--|--|--|--|
| 5 | 105-4578 | 1 | Water Flange ASM | | | | |
| 10 | 107-0143 | 1 | Flange-Water | | | | |
| 20 | 107-0144 | 1 | Flange-Water | | | | |
| 30 | 105-2874 | 2 | Plug | | | | |
| 40 | 105-2875 | 2 | Bolt-Flange | | | | |
| 40 | 105-2875 | 3 | Bolt-Flange | | | | |
| 45 | 107-0117 | 1 | Bolt-Flange | | | | |
| 50 | 105-2876 | 1 | Gasket-Flange, Water | | | | |
| 60 | 98-7610 | 2 | Bolt | | | | |
| 70 | 100-1558 | 1 | Stud-Manifold, Exhaust | | | | |
| 80 | 107-0115 | 1 | Bolt | | | | |
| 90 | 98-7534 | 1 | Nut | | | | |
| 100 | 105-2893 | 1 | Washer-Spring | | | | |
| 110 | 105-2878 | 1 | Pipe-Return, Water | | | | |
| 120 | 98-9714 | 1 | Clamp-Hose | | | | |
| 130 | 105-2879 | 1 | Clamp-Hose | | | | |
| 140 | 100-9244 | 1 | Cover-Thermostat | | | | |
| 150 | 105-3748 | 1 | Gasket-Thermostat | | | | |
| 160 | 98-7777 | 2 | Bolt | | | | |
| 170 | 105-2881 | 1 | Thermostat ASM | | | | |



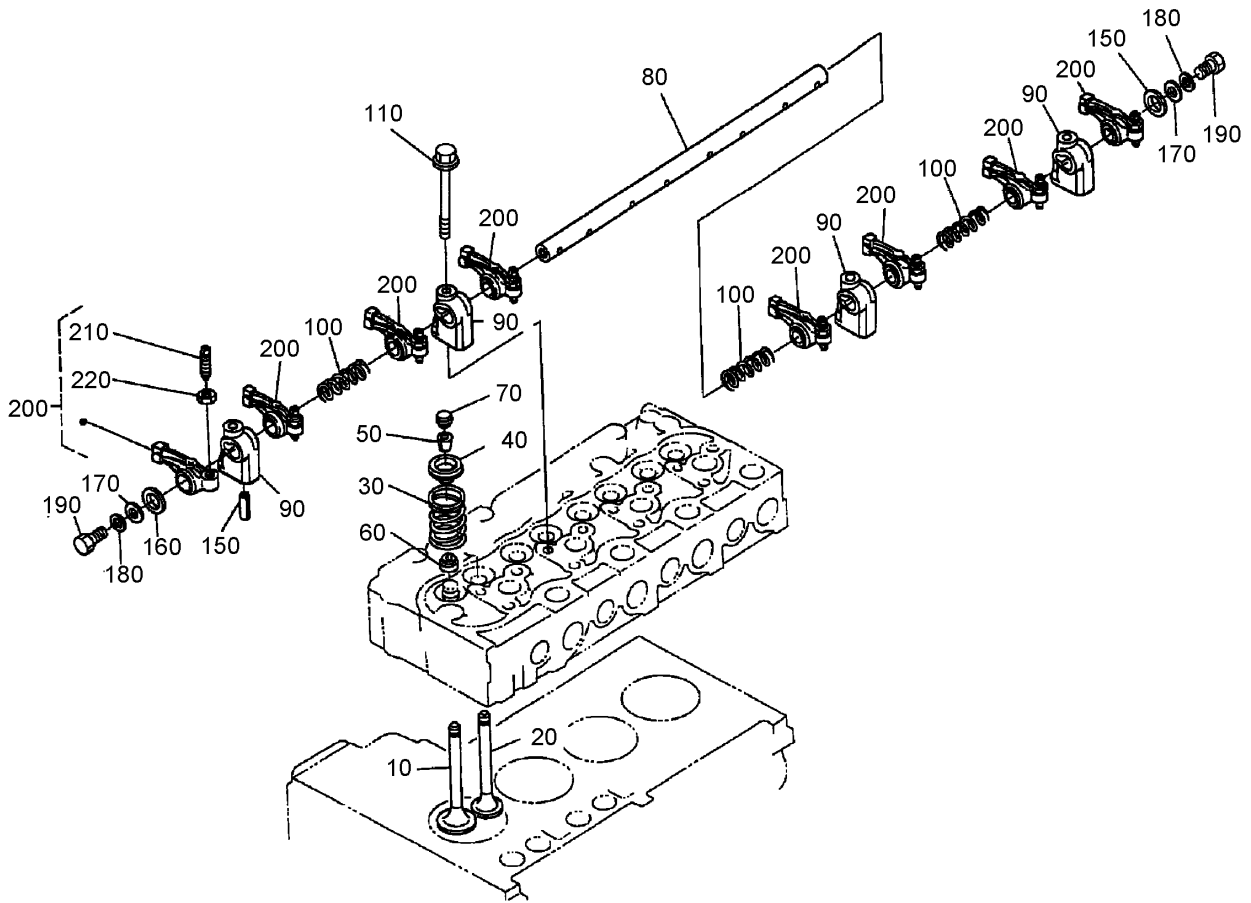
Water Pump Assembly

| Ref | Part No. | Qty. | Description | | | | |
|-----|----------|------|--------------------------|--|--|--|--|
| 10 | 107-0129 | 1 | Water Pump ASM | | | | |
| 20 | 98-7780 | 1 | Bearing-Ball | | | | |
| 30 | 107-0130 | 1 | Impeller-Pump, Water | | | | |
| 40 | 105-2882 | 1 | Mechanical Seal ASM | | | | |
| 50 | 108-7089 | 1 | Flange-Shaft, Water Pump | | | | |
| 60 | 98-9580 | 1 | Pipe-Return, Water | | | | |
| 70 | 98-7784 | 1 | Gasket-Pump, Water | | | | |
| 80 | 98-7439 | 2 | Bolt | | | | |
| 90 | 108-7090 | 2 | Stud | | | | |
| 100 | 105-2893 | 2 | Washer-Spring | | | | |
| 110 | 98-7534 | 2 | Nut | | | | |
| 120 | 98-7605 | 6 | Bolt | | | | |
| 130 | 98-7568 | 2 | Bolt | | | | |
| 140 | 100-9246 | 1 | Indicator-Timing | | | | |
| 150 | 107-0131 | 1 | Pin-Spring | | | | |



Fan Assembly

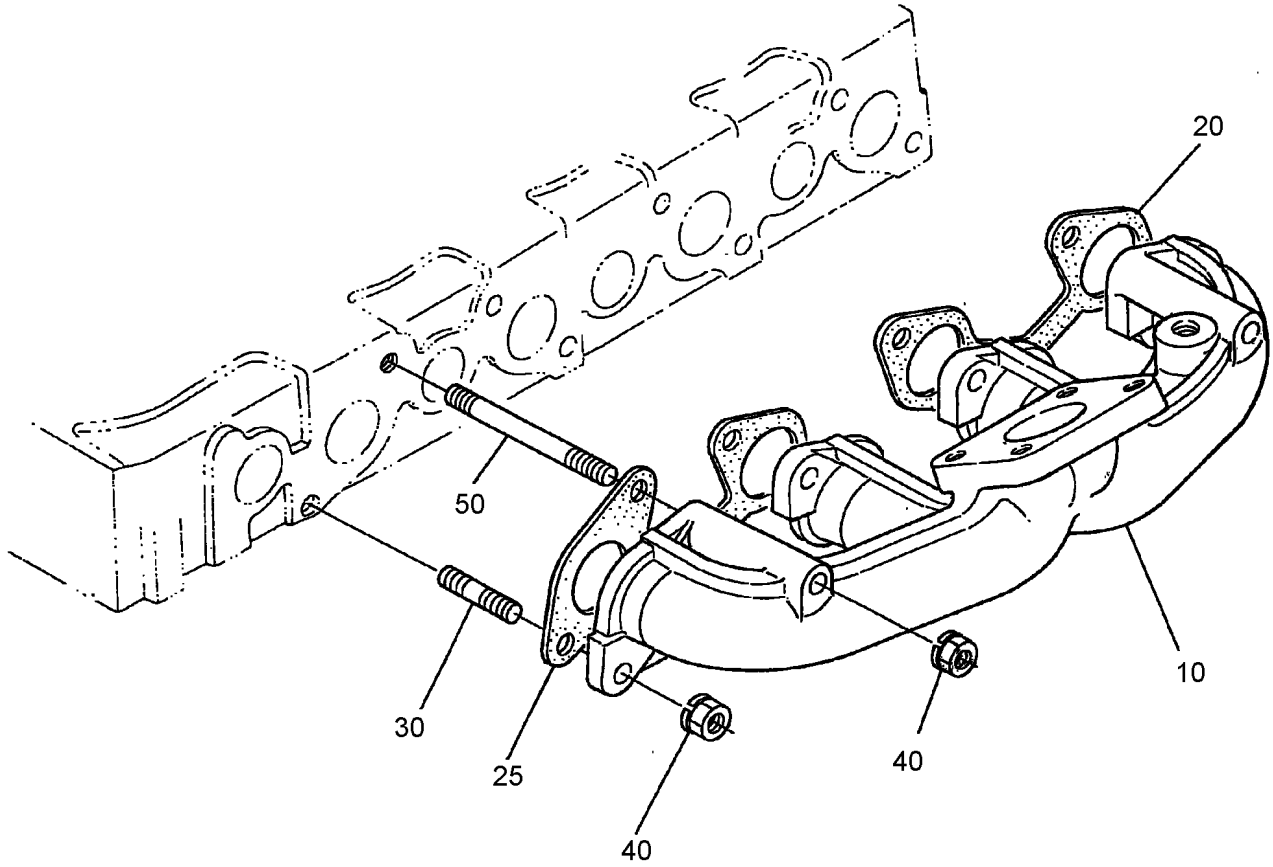
| Ref | Part No. | Qty. | Description | | | | |
|-----|----------|------|-------------|--|--|--|--|
| 10 | 98-7702 | 1 | Pulley-Fan | | | | |
| 20 | 99-8363 | 4 | Bolt-Flange | | | | |



Valve and Rocker Arm Assembly

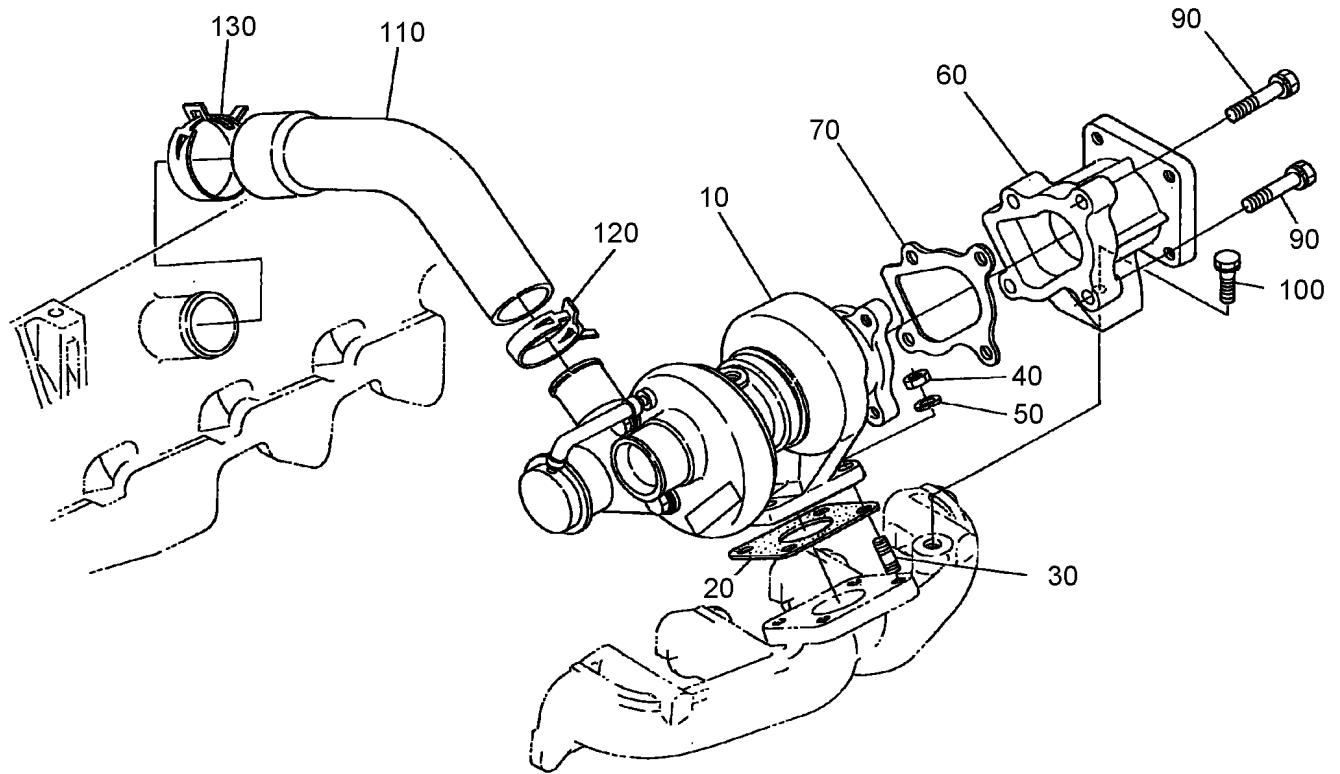
| Ref | Part No. | Qty. | Description |
|-----|----------|------|------------------------|
| 10 | 98-7791 | 4 | Valve-Inlet |
| 20 | 100-9281 | 4 | Valve-Exhaust |
| 30 | 98-7793 | 8 | Spring-Valve |
| 40 | 98-7794 | 8 | Retainer-Spring, Valve |
| 50 | 98-7795 | 8 | Collet-Spring, Valve |
| 60 | 98-7796 | 8 | Seal-Stem, Valve |
| 70 | 98-7797 | 8 | Cap-Valve |
| 80 | 107-0134 | 1 | Shaft-Arm, Rocker |
| 90 | 98-7800 | 4 | Bracket-Arm, Rocker |
| 100 | 98-7807 | 3 | Spring-Arm, Rocker |
| 110 | 108-7091 | 4 | Bolt-Flange |
| 150 | 98-7805 | 1 | Pin-Spring |
| 160 | 98-7806 | 2 | Washer |
| 170 | 98-7660 | 2 | Washer-Plain |
| 180 | 105-2893 | 4 | Washer-Spring |
| 190 | 98-7884 | 2 | Bolt |
| 200 | 98-7809 | 8 | Rocker Arm ASM |
| 210 | 98-7810 | 8 | Screw-Adjusting |
| 220 | 98-7811 | 8 | Nut |

| | | | |
|--|--|--|--|
| | | | |
|--|--|--|--|



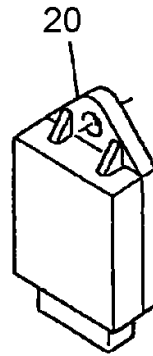
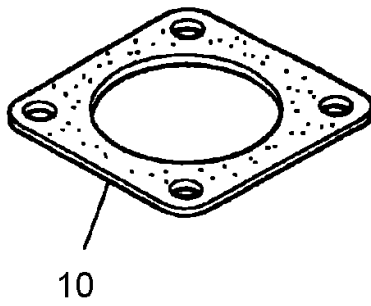
Exhaust Manifold Assembly

| Ref | Part No. | Qty. | Description |
|-----|----------|------|------------------------|
| 10 | 108-7092 | 1 | Manifold-Exhaust |
| 20 | 98-7802 | 1 | Gasket |
| 25 | 98-7803 | 1 | Gasket |
| 30 | 100-1558 | 6 | Stud-Manifold, Exhaust |
| 40 | 100-9288 | 8 | Nut |
| 50 | 100-9289 | 2 | Stud |



Turbo Charger Assembly

| Ref | Part No. | Qty. | Description |
|-----|----------|------|-------------------|
| 10 | 108-7093 | 1 | Turbo Charger ASM |
| 20 | 100-9314 | 1 | Gasket |
| 30 | 99-8342 | 4 | Stud |
| 40 | 98-7534 | 4 | Nut |
| 50 | 105-2893 | 4 | Washer-Spring |
| 60 | 108-7094 | 1 | Flange-Muffler |
| 70 | 100-9316 | 1 | Gasket |
| 90 | 98-7697 | 4 | Bolt |
| 100 | 100-9230 | 1 | Bolt |
| 110 | 100-9318 | 1 | Hose-Inlet |
| 120 | 100-9319 | 1 | Band-Pipe |
| 130 | 99-8322 | 1 | Band-Pipe |



Muffler Gasket and Glow Controller

| Ref | Part No. | Qty. | Description |
|-----|----------|------|-----------------|
| 10 | 100-9333 | 1 | Gasket-Muffler |
| 20 | 98-7611 | 1 | Controller-Glow |

Attachments and Accessories

For 30856 - Groundsmaster 4500-D Traction Unit

| Product Name | Model/Part |
|--|-------------|
| Roller Scraper Kit | 104-5168 |
| Blade-Lift, High | 105-4089-03 |
| Blade-Sail, Angle | 105-9810-03 |
| Blade-Atomic | 107-0235-03 |
| Seat Suspension Kit | 30395 |
| Standard Seat Kit | 30398 |
| Arm Rest Kit | 30707 |
| 27 Inch Rotary Cutting Unit | 30827 |
| 27 Inch Rotary Cutting Unit Mulching Kit | 30828 |
| Flow Divider Kit | 30830 |

NOTES

NOTES

